

20-70102C



# REPLACEMENT PARTS CATALOGUE SUPPLEMENT

FOR 1978

BONNEVILLE T140E



CLASSIC  
BIKE SPARES

JUNE 1978  
PART NO. 70102C



TRIUMPH MOTORCYCLES AMERICA, INC.  
177 W. GRANGETHORPE AVE., P.O. BOX 1060  
PLACENTIA, CA 92670

USE ORDER FORM (PART NO. TMA-1) FOR REGULAR ORDERS.

CALL TOLL-FREE 800-854-0341 FOR CRITICAL ORDERS.

PLEASE ORDER NO MORE THAN 10 LINE ITEMS ON PHONE.

RETURNED ITEMS SUBJECT TO 10% RESTOCKING CHARGE.

This Triumph replacement parts catalog supplement describes the parts which are unique to the 1978 T140E model.

The "Remarks" column refers to page (PS) numbers and reference (REF#) numbers which are contained in the March 1978 T140V Replacement Parts Catalog (99-7003). In most cases, these indicate the T140V component which has been changed on the T140E.

PLEASE NOTE: T140V SPECIFICATIONS AND PARTS HAVE NOT CHANGED  
The "Replaces" column in this supplement refers to parts which have been changed for production of the T140E.

The only illustration used in this supplement is an exploded view of the AMAL Mark 2 carburetor. Some carburetor components which are not illustrated are included in the listing. They are grouped with associated parts, where possible, related components are listed together so that assemblies may be identified.

This T140E supplement contains the following sections:

- Manifold and tappets
- Cylinder block and head, T140E
- Carburetor, T140E
- Frame
- Air cleaners and side panels
- Fenders
- Control cables
- Headlight and flasher lamps
- Miscellaneous



**CLASSIC  
BIKE SPARES**

Page One

## IMPORTANT

The 1978 Triumph T140E complies with EPA emissions requirements in effect for motorcycles manufactured after January 1, 1978.

Standard carburetor settings are as follows:

AMAL type.....	R2930/1, L2930/2
Main jet.....	200
Needle jet.....	109
Needle type.....	2C3
Needle position.....	2
Throttle valve cutaway.....	3
Pilot jet.....	25
Starter jet.....	50
Primary air jet.....	3.5

DO NOT CHANGE ANY SETTING UNLESS IT IS NECESSARY TO DO SO  
Use of other than standard carburetor settings on an emission-controlled Triumph may violate emission requirements.

### AMAL Parts Information

Some AMAL parts, in particular jets and throttle valves, have a basic part number and differ in size only, for example:

#25 pilot jet part number is 124/026-25  
#50 starter jet part number is 124/026-50

#200 main jet part number is 376/100-200  
#190 main jet part number is 376/100-190

#2 1/2 throttle valve part number is 2928/060-212  
#3 throttle valve part number is 2928/060-3  
#3 1/2 throttle valve part number is 2928/060-312

Pilot jets are available in the following sizes:  
#15, 20, 25, 30, 35, 40, 50

Main jets are available in most sizes from #50 to #900 to service all years and models equipped with AMAL carburetors.

These parts are available to service all emission controlled Triumphs which may be updated with AMAL carburetors.



## MANIFOLD AND TAPPETS, TRADE SUPPLEMENT

<u>Part No.</u>	<u>Description</u>	<u>Qty.</u>	<u>Replaces Part No.</u>	<u>Remarks</u>
71-7103	Connector	2	71-3315	See pg 19 ref #17
71-7051	Balance pipe	1	71-3577	See pg 19 ref #18
2928/123	Rubber carb. connector	2	New	Replaces intake manifolds (also listed under carburetor)
2928/146	Clip for rubber	4	New	Secures 2928/ 123 to carb and cyl. head stud. (also listed in carb section)



**CLASSIC  
BIKE SPARES**

Page Three

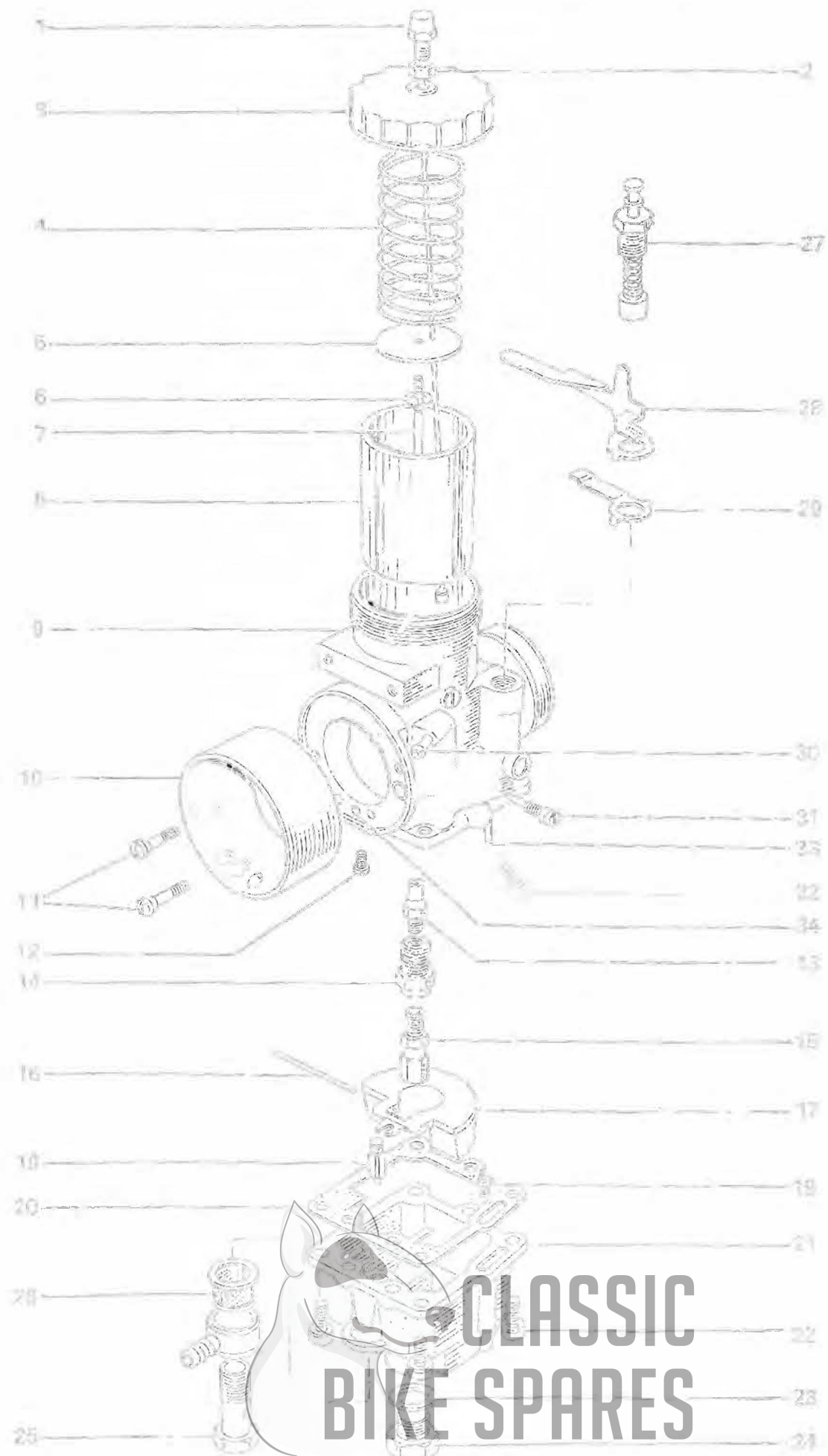
CYLINDER HEAD, T140E SUPPLEMENT

<u>Part No.</u>	<u>Description</u>	<u>Qty.</u>	<u>Replaces Part No.</u>	<u>Remarks</u>
71-7045	Cylinder head	1	71-7007	Pg 25 ref #13
71-7049	Rocker box exhl.	1	71-3669	Pg 25 ref #42 71-7049 rocker box includes breather connector 71-7103



**CLASSIC  
BIKE SPARES**





**CLASSIC  
BIKE SPARES**

CARBURETOR, TRACE SUPPLEMENT

<u>Part No.</u>	<u>Description</u>	<u>Qty</u>	<u>Replaces</u>	<u>Remarks</u>
L2930/2	Carb. L.H. Compl.	1	19-2452	AMAL Mark 2 (includes 2928/123 & 2928/146)
R2930/2	Carb. R.H. Compl.	1	19-2453	same as above
71-7052	Bracket-MK2 Carbs	1	New	Flat bracket connects carbs
23-1031	Screw-MK2 Carb brkt.	3		Attach 71-7052
60-2427	Washer-MK2 Carb brkt.	3		
21-7028	Grub screw-Carb brkt.	1		Attaches to left carb to position 71-7052
71-7053	Link-MK2 cold start	1	New	Links right and left cold start controls
71-7054	Pivot pin- link	2		Connects 71-7053 to cold start controls
60-7078	Fastener- pivot pin	2		Secures pivot pins
83-7155	Petrol pipe assy.	1	83-8209	Not shown- See pg. 31 ref. #28
2928/123	Rubber carb connector	2	New	Replaces intake manifolds (also listed in manifold section)
2928/146	Clip for rubber	4	New	Secures 2928/123 to carb and cyl. head stud (also listed in manifold section)



**CLASSIC  
BIKE SPARES**



CARBURETOR, TRADE SUPPLEMENT

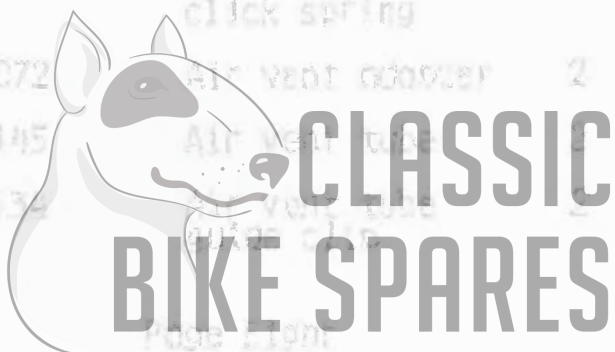
<u>Ref #</u>	<u>Part No.</u>	<u>Description</u>	<u>Qty./carb</u>	<u>Remarks</u>
1	A/035	Cable adjuster	1	
2	S/077	Cable adjuster lock nut	1	
	50-7118	Cable rubber - carb top	1	Not shown - included with cable assy. 50-7083
3	2928/064	Mixing chamber top	1	
4	2928/061	Throttle valve spring	1	
5	2928/071	Needle retaining disc	1	
6	2622/087	Needle clip	1	
7	2928/030	Throttle needle	1	Stainless steel 203
8	2928/050-3	Throttle valve	1	
9	R2930/001	Body assembly	1	Right carb body
9	L2930/002	Body assembly	1	Left carb body
10	2928/062	Air intake adapter	1	
11	2622/073	Air intake adapter screws	2	
12	2622/142	Blank jet	2	Plugs optional location for pilot jet
	124/026-25	Pilot jet	1	Not shown-pilot jet is positioned in middle hole of float bowl, or in opposite the float needle
13	2928/031-105	Needle jet	1	Stainless steel .105
14	622/128	Jet holder	1	
15	375/100-200	Main jet	200	
	028/071	main jet filter		Not shown-screen



**CLASSIC  
BIKE SPARES**

CARBURETOR, T140F SUPPLEMENT CONT.

<u>Ref</u> <u>#</u>	<u>Part</u> <u>No.</u>	<u>Description</u>	<u>Qty. /</u> <u>Carb</u>	<u>Remarks</u>
16	2622/069	Floot spindle	1	
17	622/069	Floot	1	
18	622/149	Floot needle	1	
19	124/626-50	Cold start jet	1	Located at bottom of fuel pick-up channel
20	2622/070	Floot bowl gasket	1	
21	2622/057	Floot bowl assy.	1	Includes brass insert in floot bowl body
22	2622/086	Floot bowl attach. screw	4	
23	2622/066	Floot bowl plug gasket	1	
24	2622/065	Floot bowl drain plug	1	
25	622/078	Banjo bolt	1	
	13/163	Banjo gasket	1	Not shown - positioned on banjo bolt 622/078
26	376/093	Filter - fuel	1	
27	2622/079	Cold start plunger assy.	1	
28	2622/075	Cold start lever bracket assy.	1	Left carburetor
28	2622/169	Cold start lever bracket assy.	1	Right carburetor
29	2622/087	Cold start click spring	1	
30	2622/072	Air vent grommet	2	Not available
	2622/145	Air vent tube	1	Not shown
	2622/134	Air vent tube guide clip	1	Not shown - positioned on 2 floot bowl att. screws adjacent to air intake adapter



CARBURETOR, TIME SUPPLEMENT CONT.

<u>Ref</u> <u>#</u>	<u>Part</u> <u>No.</u>	<u>Description</u>	<u>Qty.</u> <u>carb</u>	<u>Remarks</u>
31	2622/128	Pilot air screw with 'O' ring assy.	1	Pilot air adjuster
32	2522/129	Throttle stop with 'O' ring assy.	1	Throttle stop adjuster
	622/082	'O' ring - air & throttle screw	2	Not shown separat- ely - included with 2622/128 - 2622/129
33	2622/074	Cold start dip tube	1	
34	2622/135-3.5	Air Jet 3.5	1	Not illustrated in detail



FRAME, TIAGE SUPPLEMENT

<u>Part No.</u>	<u>Description</u>	<u>Qty.</u>	<u>Replaces Part No.</u>	<u>Remarks</u>
83-7200	Elbow-crankcase breather pipe	1	New	
83-7201	Breather pipe	1	New	Connects breather outlet stub to 83-7200 elbow
83-7202	Breather pipe	1	New	Connects elbow to bonjo at airbox
60-2252	Clip-breather	1		Screw tightened clamp on breathe outlet stub
60-7117	Clip - breather	2		Clamps on elbow and bonjo at airbox (see: air cleaners & side panels)
83-7154	Frame vent pipe	1	New	Connects frame vent to exit, rocker box
71-7058	Oil return pipe	1	71-7014	See pg 45 ref #21 (same material)
83-7032E	Frame Assy - TIAGE	1	83-7032	



**CLASSIC  
BIKE SPARES**

AIR CLEANERS AND SIDE PANELS, TI40E SUPPLEMENT

Part No.	Description	Qty.	Replaces Part No.	Remarks
71-7055	Connect-carb to air box	2	71-7015	See pg 73 ref #13
83-7141	Air cleaner body - R.H.	1	83-4607	See pg 73 ref #13
83-7162	Air cleaner body - L.H.	1	83-4606	See pg 73 ref #11
83-7204	A/cleaner cover -R.	1	83-7067	See pg 73 ref #2
83-7205	A/cleaner cover R.R.	1	83-7068	See pg 73 ref #2
83-7145	Breather tower	1	New	Attach into rt air box
83-7148	Bonic union	1	New	Attach to 83-7145
70-1465	Fiber washer	1		Bonjo to airbox
83-7151	Cap - breather tower top	1	New	Breather tower
14-0215	Bolt			Breather tower
14-1901	Nut			Breather tower
70-2441	Copper washer			Breather tower
83-7152	Styling panel L.H. brown	1		See pg 73 ref #34-39
83-7153	Styling panel R.H. brown	1		See pg 73 ref #34-39
83-7198	Styling panel L.H. black	1		See pg 73 ref #34-39
83-7199	Styling panel R.H. black	1		See pg 73 ref #34-39



**CLASSIC  
BIKE SPARES**

FENDERS, TAILOR SUPPLEMENT

<u>Part No.</u>	<u>Description</u>	<u>Qty.</u>	<u>Replaces Part No.</u>	<u>Remarks</u>
83-7158	Rear fender	1	83-7031	See pg 77 ref 81



**CLASSIC  
BIKE SPARES**



## CONTROL CABLES, T140E SUPPLEMENT

<u>Part No.</u>	<u>Description</u>	<u>Qty.</u>	<u>Replaces Part No.</u>	<u>Remarks</u>
60-7083	Throttle cable complete	1	60-7002	See pg 83 ref #1 - includes 60-7111 boots over cable adjusters at car- buretor
60-7084	Throttle cable ↓ box to carb	2	60-7033	See pg 83 ref #1 - Does not in- clude 60-7118
60-7118	Sheath - cable adj.	2		Rubber boot over cable adjuster at carb top



**CLASSIC  
BIKE SPARES**

## HEADLAMP AND FLASHER LAMPS, TRADE SUPPLEMENT

<u>Part No.</u>	<u>Description</u>	<u>Qty.</u>	<u>Replaces Part No.</u>	<u>Remarks</u>
60-7079	Diode - lead assy.	1	New	Includes 60-7080, 60-7081, 60-7082 Connects between 31788 headlight switch & ignition switch to provide lights on with ignition switch
60-7080	White lead assy.	1	New	Long (bottom)
60-7081	White lead assy.	1	New	Top (short)
60-7082	Diode	1	New	
31788	Headlight switch	1	34419	
83-7161	Buckle - battery strap	1	82-9355	

## MISC. TRADE SUPPLEMENT

99-7007	Owner's Manual TRADE	1		
---------	----------------------	---	--	--



**CLASSIC  
BIKE SPARES**