

20-104950



REPLACEMENT PARTS CATALOGUE

1976/77

BONNEVILLE 750 T140V

TIGER 750 TR7RV



CLASSIC
BIKE SPARES

INTRODUCTION

ENGINE AND FRAME NUMBERS

The engine number is located on the left side of the engine, immediately below the cylinder barrel to crankcase flange.

The frame number is located on the left side of the frame headlug, beneath the fork top lug and forward of the gasoline tank.

Both the engine and frame number should be quoted in full in any correspondence relating to the machine.







1976 T140V

BONNEVILLE 750 (T140V), TIGER 750 (TR7RV) TECHNICAL DATA

	TR7RV	T140V
Compression ratio	8.25 : 1	8.25 : 1
Spark plugs	Champion N3	Champion N3
Carburetor	Amal Concentric 930	2 Amal Concentric 930
Main jet	280	210
Needle jet	106	106
Throttle valve	No. 3	No. 3
Gearbox sprocket	23 teeth	23 teeth
Chains	3 Triplex x 84 links	3 Triplex x 84 links
	27 x 27 x 127 links	27 x 27 x 127 links
Capacities		
Fuel Tank	4.8 U.S. galls.	4.8 U.S. galls.
Oil Tank	1.8 U.S. galls.	1.8 U.S. galls.
Gearbox	1 pint (500 cc.)	1 pint (500 cc.)
Primary Chaincase	1 pint (500 cc.)	1 pint (500 cc.)
Front Forks (each leg)	1 pint (190 cc.)	1 pint (190 cc.)
Front	2.25 x 19	2.25 x 19
Rear	2.25 x 18	2.25 x 18

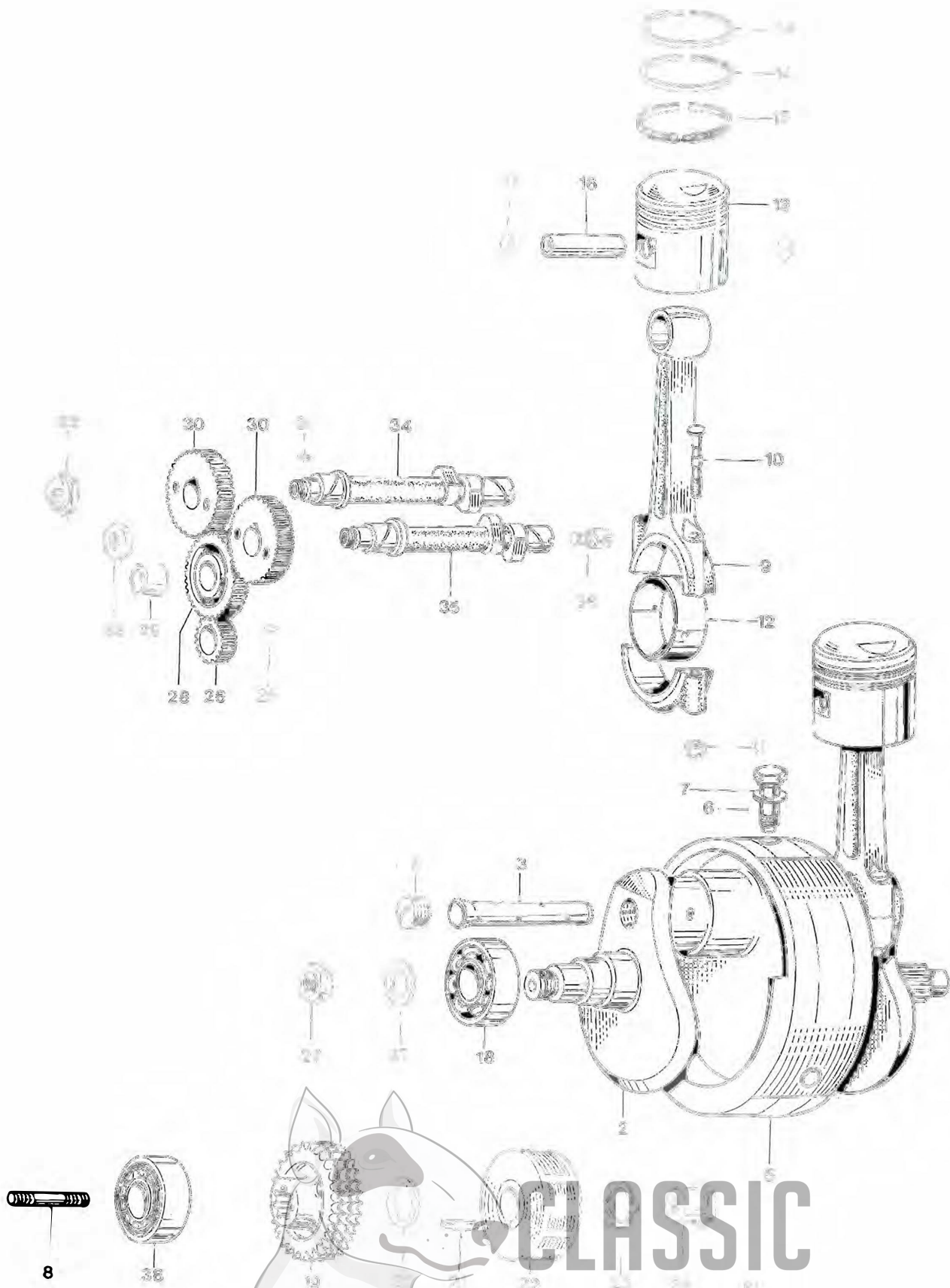


**CLASSIC
BIKE SPARES**





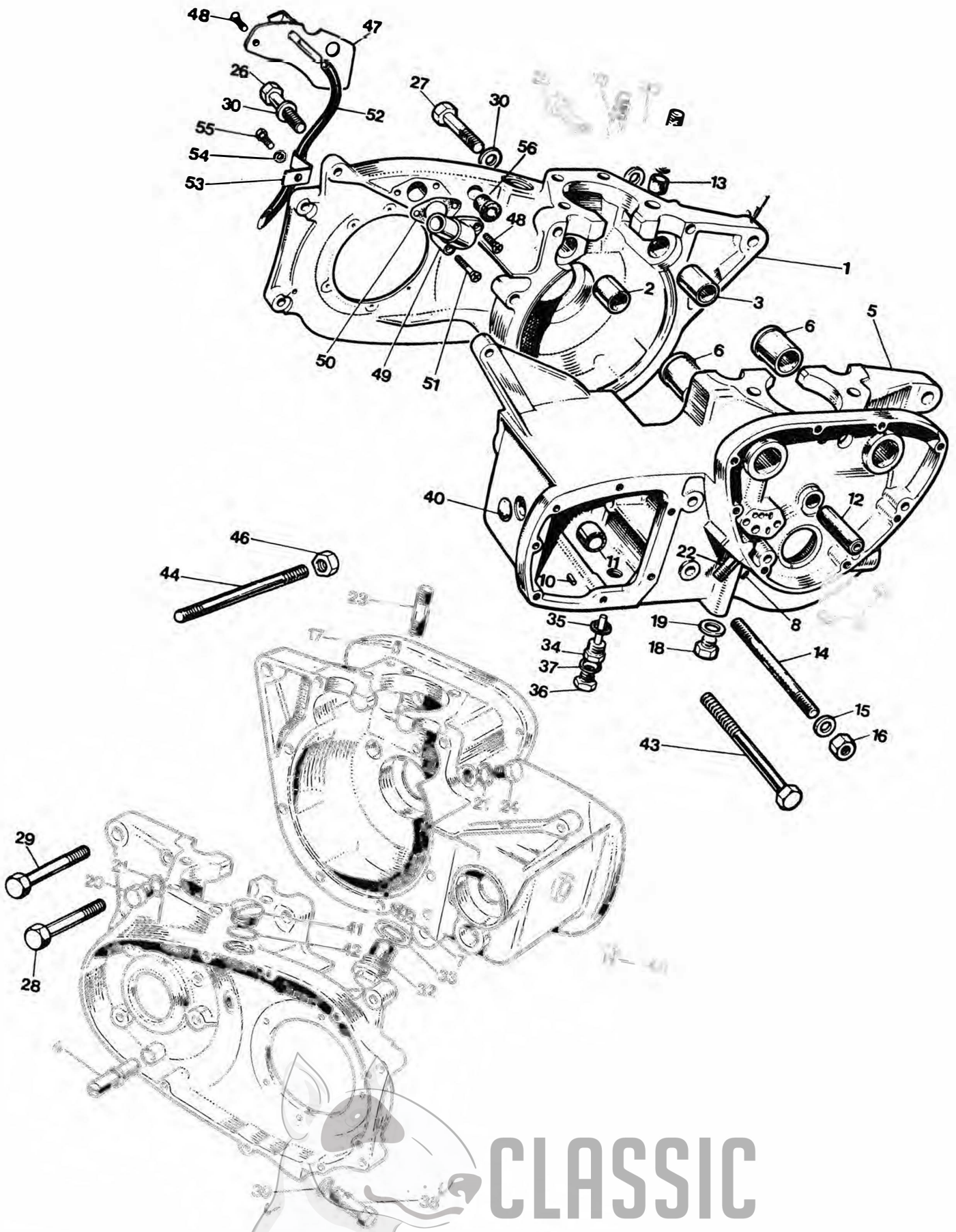




CLASSIC
BIKE SPARES

Fig. 1. CRANKSHAFT AND CONNECTING RODS

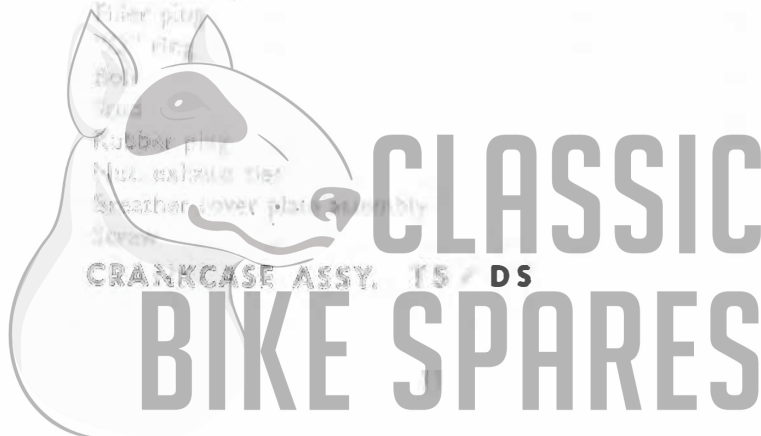


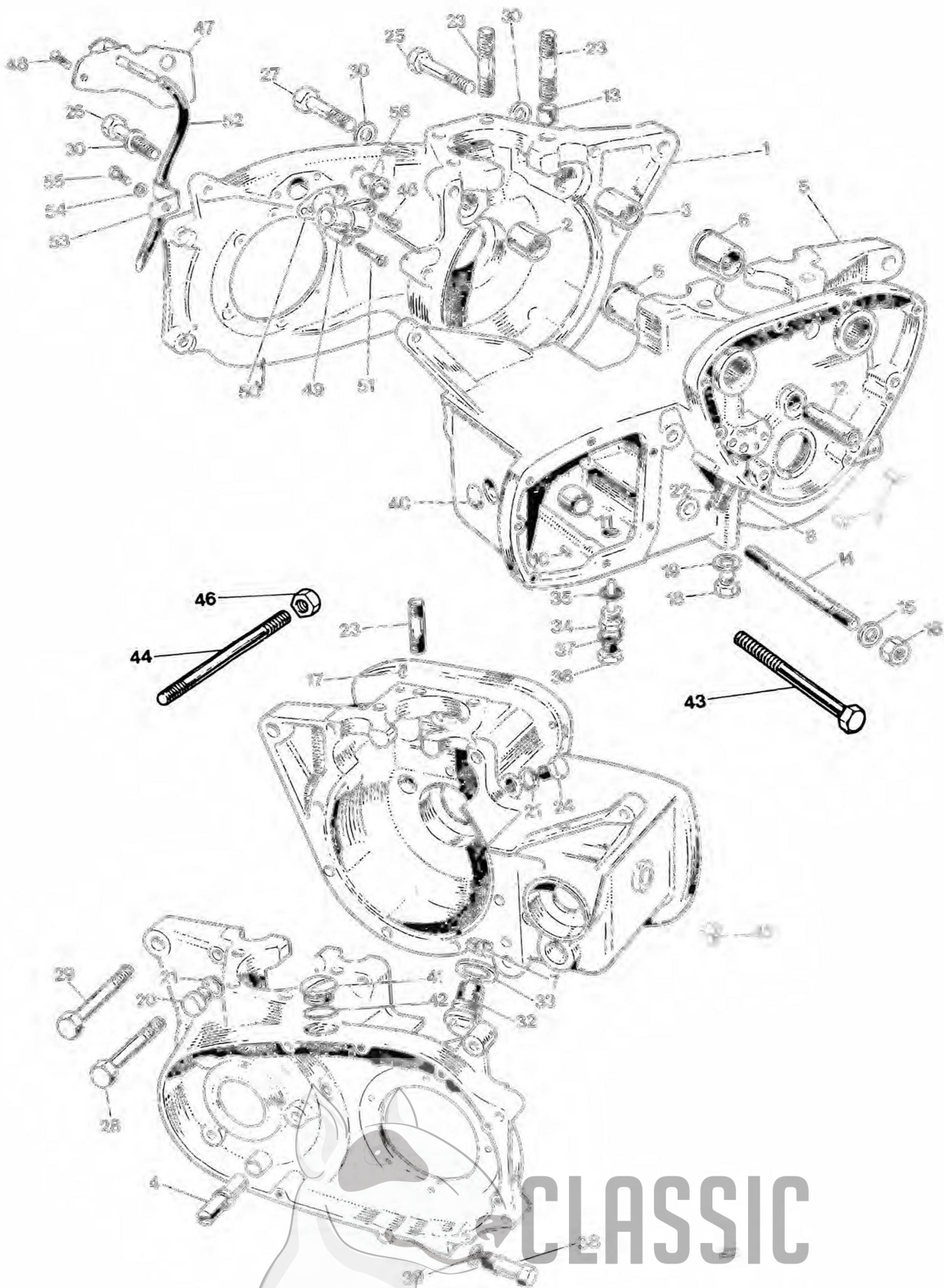


CLASSIC
BIKE SPARES

CRANKCASE

1	71-7001	CRANKCASE DRIVE SIDE	1	
2	71-0287	Camshaft bush	4	
3	71-0287	Camshaft bush	4	
4	70-5088	Chain tensioner adjusters	2	
5	73-7002	CRANKCASE TIMING SIDE	1	
6	71-0286	Camshaft bush	2	
7	70-4538	Scavenge pipe	1	Reference only
8	70-4586	Locating peg (at oil pipes)	1	Reference only
9	57-0989	Hollow dowel	2	
10	57-0912	Locating peg (-75 at chest washer)	1	
11	57-1636	Needle roller bearing, layshaft	1	
12	70-0375	Intermediate wheel spindle	1	
13	70-8751	Hollow dowel	1	
14	14-1445	Stud	1	
15	60-4246	Plain washer	2	
16	14-0303	Nut	1	
17	70-1532	Hollow dowel, upper oil feed	2	
18	70-9330	Oilway plug	1	
19	67-1680	Copper washer	1	
20	11-1871	Tachometer drive plug (L.H. thread)	1	
21	70-8876	Fibre washer	1	
22	21-1863	Oil pipe stud	1	
23	21-1865	Cylinder stud	4	
24	71-3013	Cylinder stud	4	
25	21-1872	Plug, timing hole	1	
26	21-1870	Bolt	1	
27	14-6220	Bolt	1	
28	14-6223	Bolt	1	
29	14-6230	Bolt	3	
30	21-1823	Bolt	3	
31	60-2330	Plain washer	10	
32	14-1302	Nut	5	
33	70-9336	Crankcase filter	1	
34	70-8782	Joint washer	1	
35	57-9167	Drain plug (with level tube)	1	
36	57-1157	Fibre washer	1	
37	31-0543	Level plug	1	
38	70-2441	Copper washer	1	
39	57-3159	Drain and adjuster plug	1	
40	70-6239	"O" ring	1	
41	57-1926	Blanking plug	1	Reference only
42	57-2166	Filter plug	2	
43	70-8782	"O" ring	2	
44	14-6242	Bolt	1	
45	21-0669	Stud	1	
46	70-7573	Rubber plug	1	
47	14-0402	Nut, exhaust tie	1	
48	71-1071	Breather cover plate assembly	1	
49	71-1073	Screen	1	
50	71-7004	CRANKCASE ASSY. TS / DS	1	

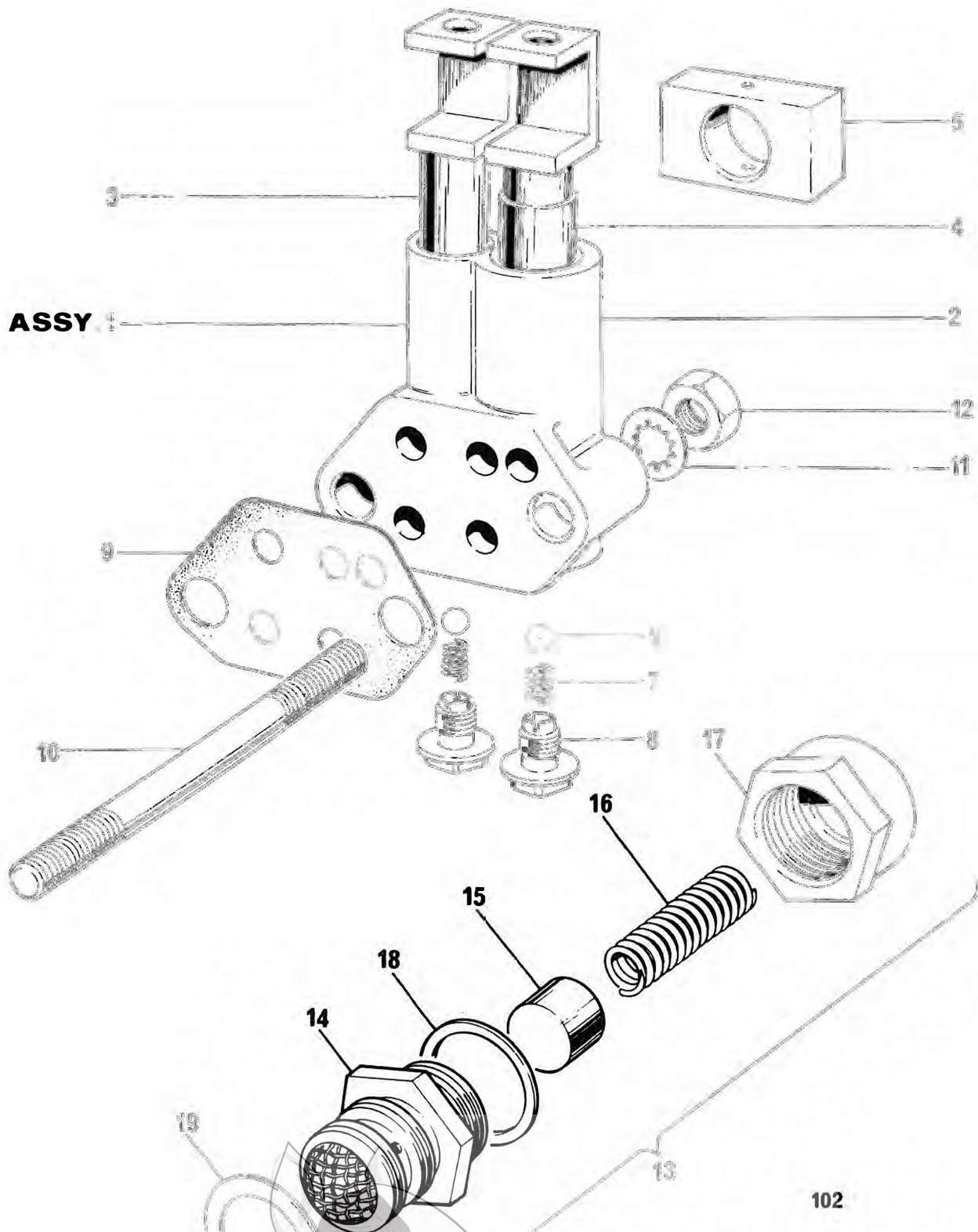




CLASSIC
BIKE SPARES

CRANKCASE





102

CLASSIC BIKE SPARES

TYPE 101 PUMP AND RELEASE VALVE



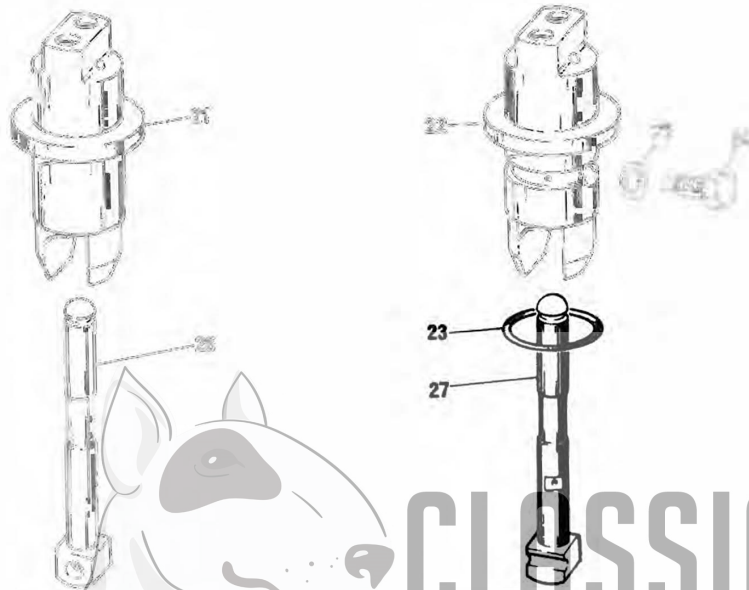
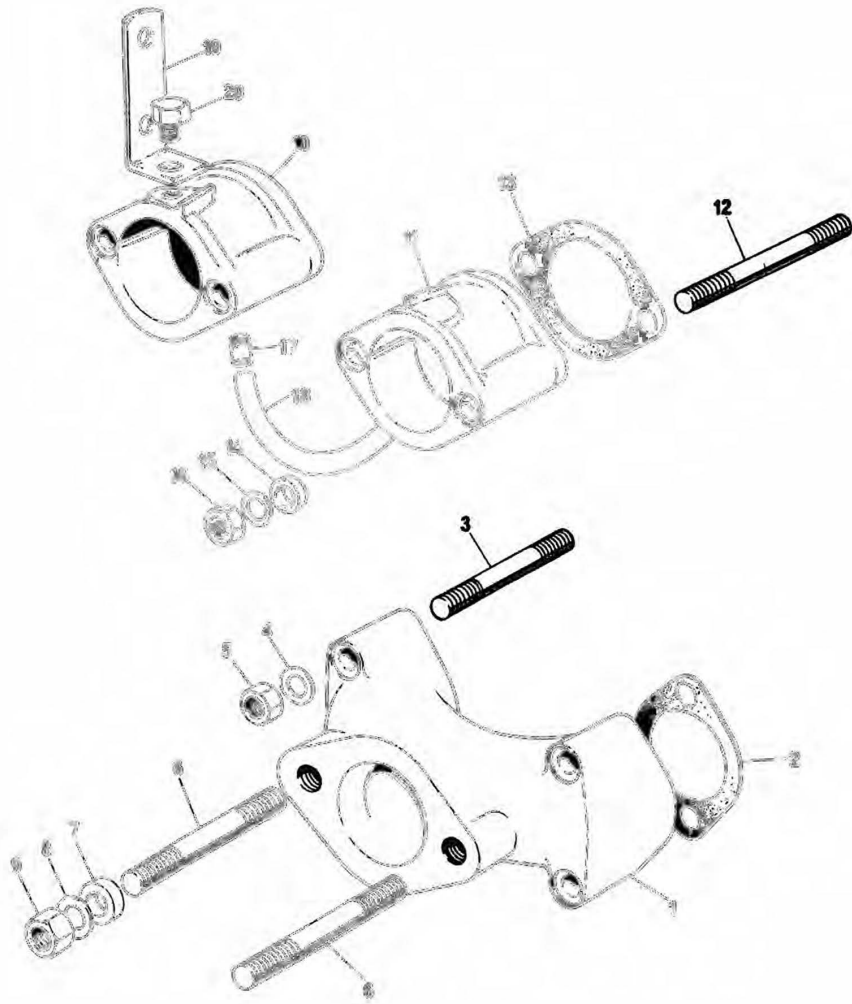
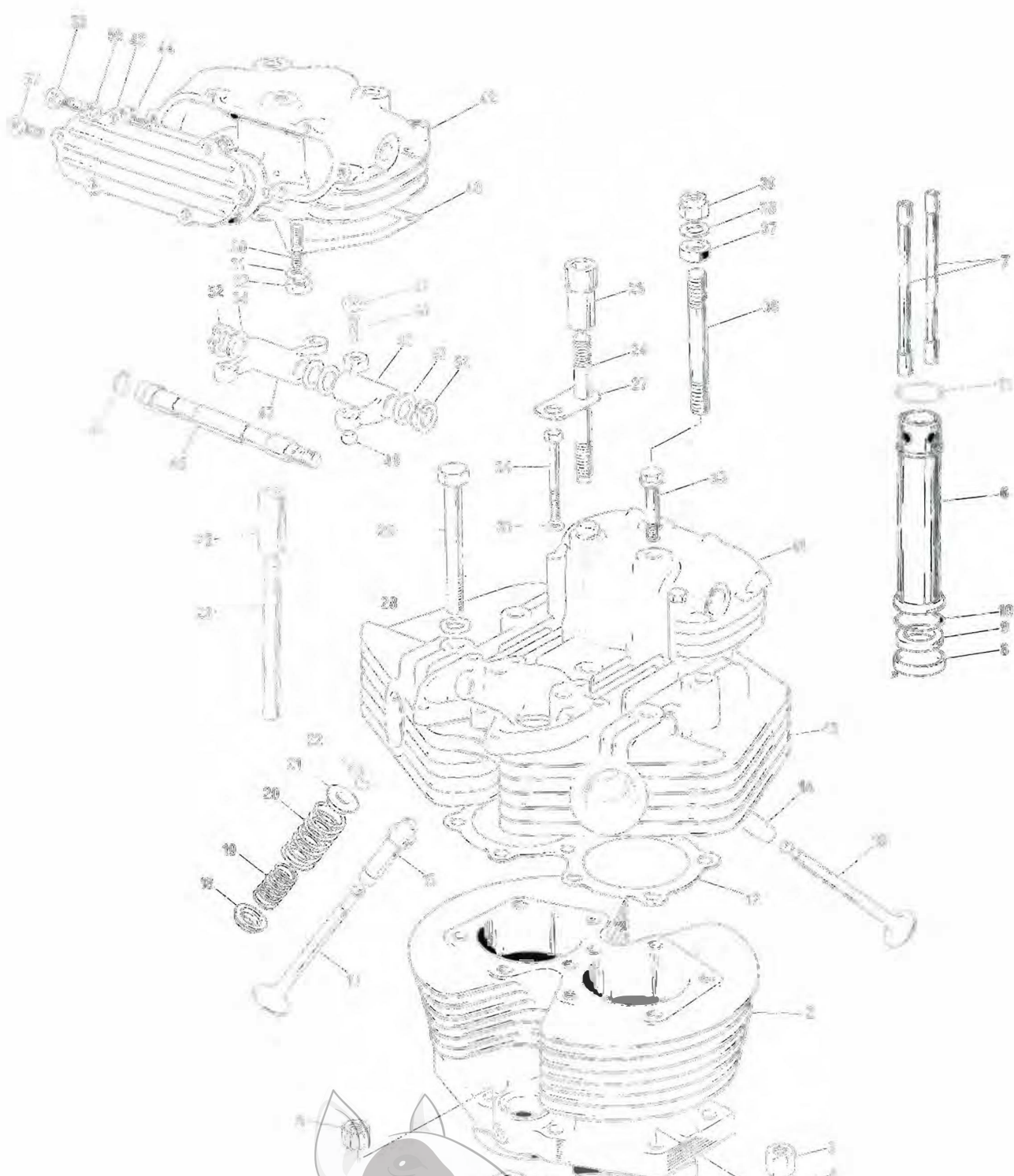


FIG. 4. HANDLEBARS AND TAPPERS

CLASSIC
BIKE SPARES





125 CYLINDER BLOCK AND HEAD KIT

CLASSIC BIKE SPARES



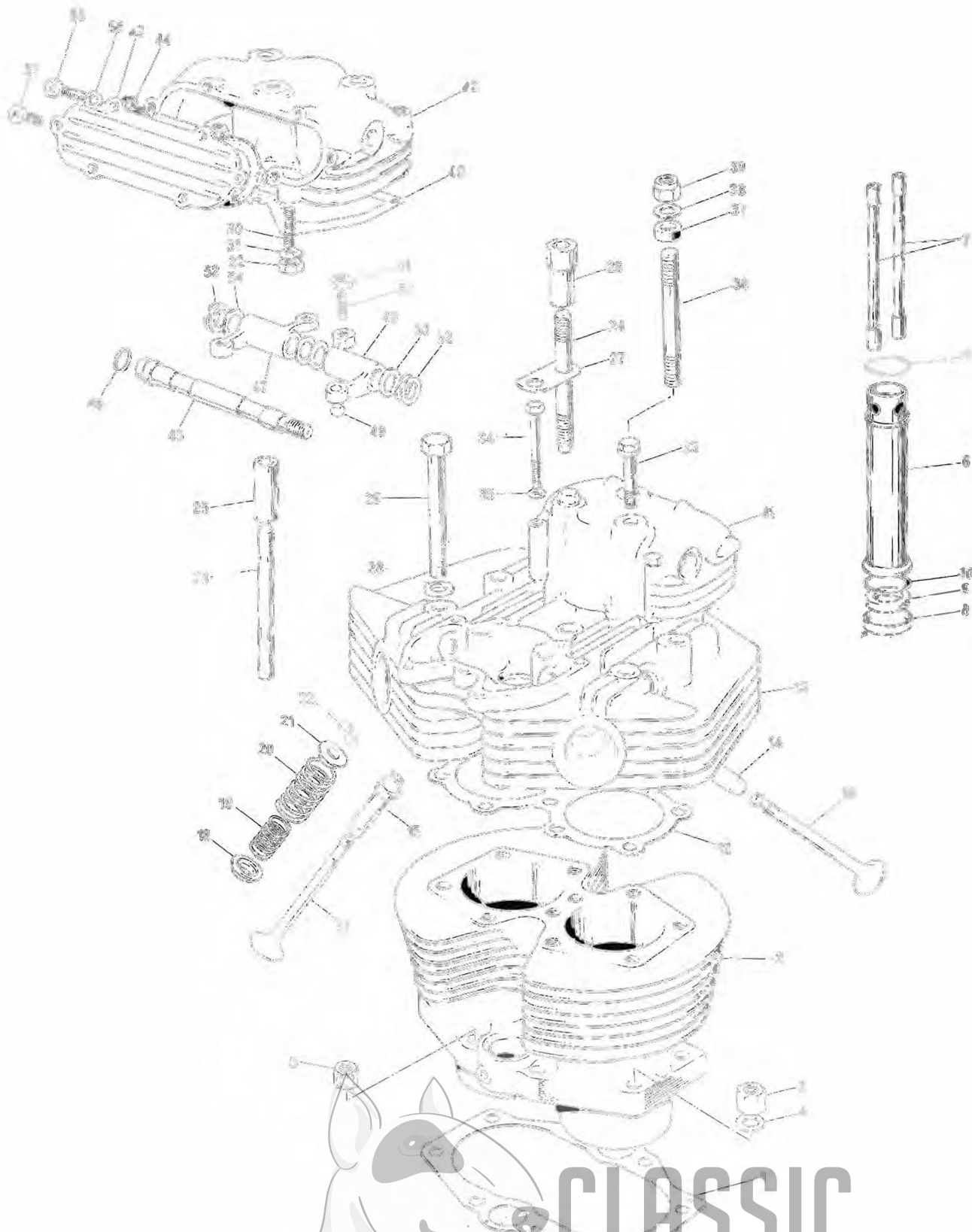


Fig. 1 CYLINDER BLOCK AND HEAD, TR70V

**CLASSIC
BIKE SPARES**



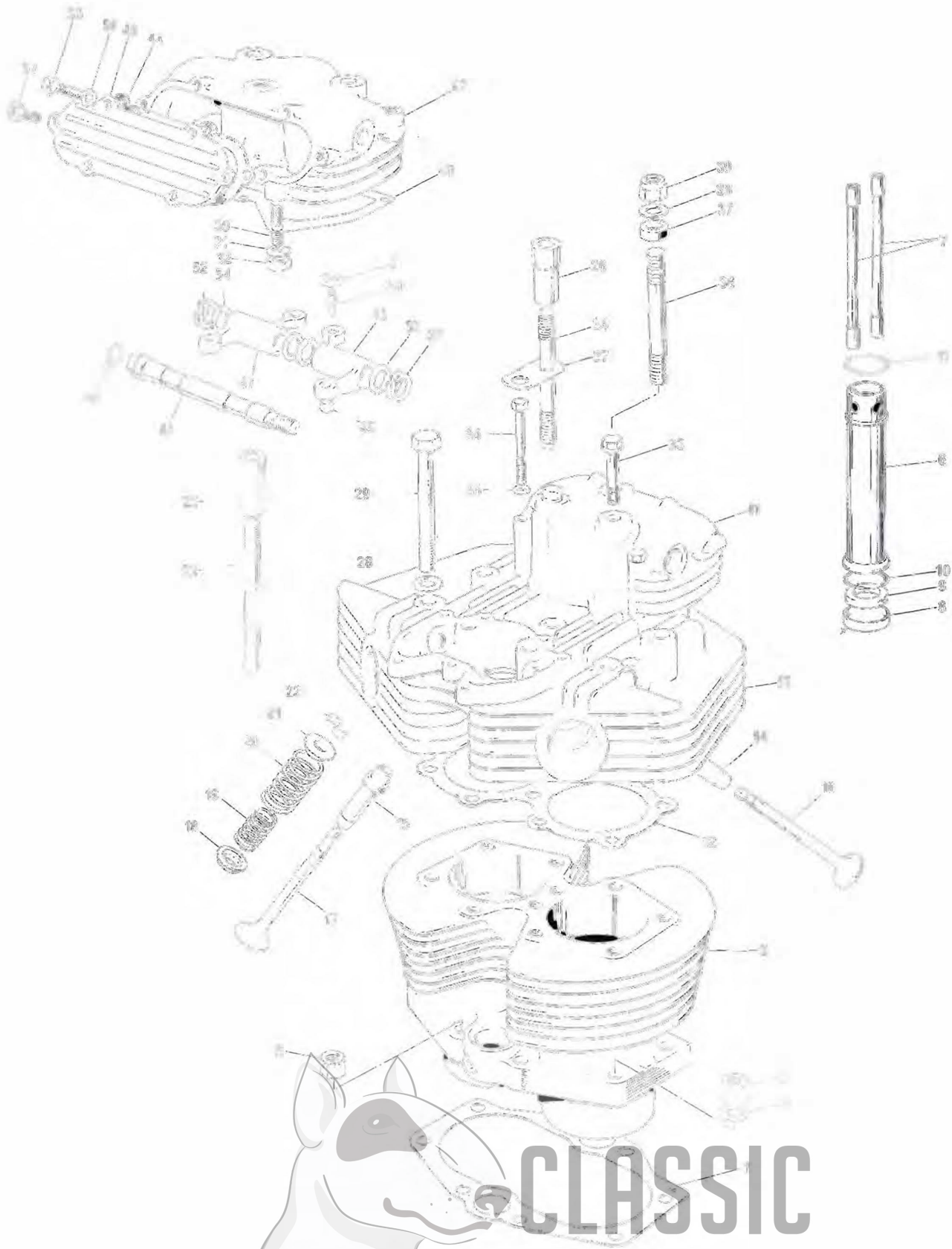
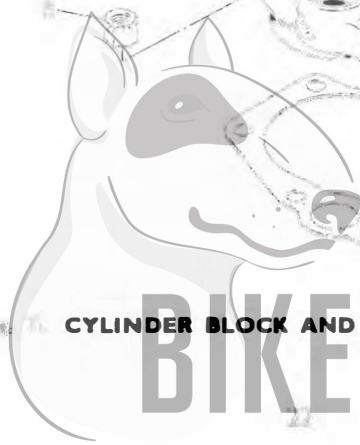


Fig. 1. CYLINDER BLOCK AND HEAD, T140V

CLASSIC BIKE SPARES



CYLINDER BLOCK AND HEAD, T140V

1	70-6309	Cylinder base washer		1
2	71-4905	Cylinder block		1
3	21-3177	Cylinder base nut		4
4	70-3446	Washer		4
5	21-0692	Cylinder base nut (12 pt. hd)		4
6	71-3329	Push rod cover tube		2
7	71-3330	Push rod		4
8	71-1707	Slows		2
9	70-4752	Sealing ring	Cover tubes	2
10	70-7310	O' ring—bottom		2
11	71-1293	O' ring—top		2
12	71-3581	Cylinder head gasket		1
13	21-8513	CYLINDER HEAD		1
14	71-3294	Inlet valve guide		2
15	71-3295	Exhaust valve guide		2
16	70-4603	Inlet valve		2
17	70-2904	Exhaust valve		2
18	71-3296	Bottom cup		4
19	70-4121	Inner valve spring		4
20	70-7400	Outer valve spring		4
21	70-1543	Top collar		4
22	99-0062	Split washer		8
23	21-2300	Stud—cylinder head (3/16")		4
24	21-2300	Stud—cylinder head (5/16")		2
25	21-2304	Socket nut (3/16")		4
26	21-2305	Socket nut (5/16")		2
27	71-3333	Bridge piece		1
28	82-2184	Washer		8
29	14-0341	Base—cylinder head		1
30	14-1401	Stud—rocker box		6
31	70-3302	Washer		6
32	14-0301	Nut		6
33	21-2306	Bolt—rocker box		4
34	21-1875	Bolt—rocker box		4
35	60-4148	Washer		4
36	21-2197	Stud		2
37	37-2338	Distance piece	Torque key	2
38	60-2331	Washer		2
39	14-1503	Nut		2
40	71-2599	Rocker box gasket		1
41	71-3562	Inlet rocker box		1
42	71-3563	Exhaust rocker box		1
43	71-3571	Tapet inspection cover		1
44	71-3673	Gasket		2
45	71-3549	Rocker spindle		2
46	60-3548	Roller stud		2



**CLASSIC
BIKE SPARES**

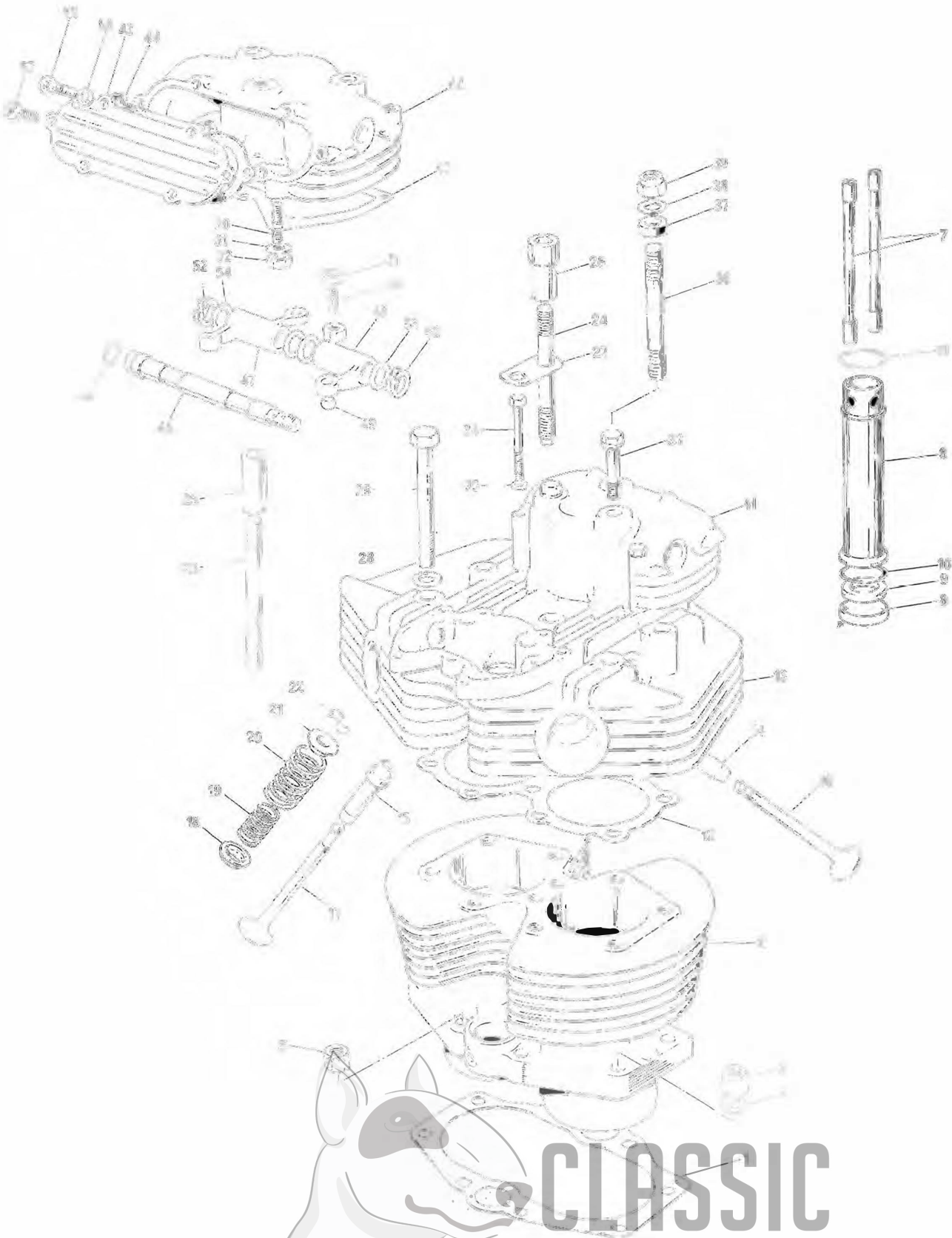
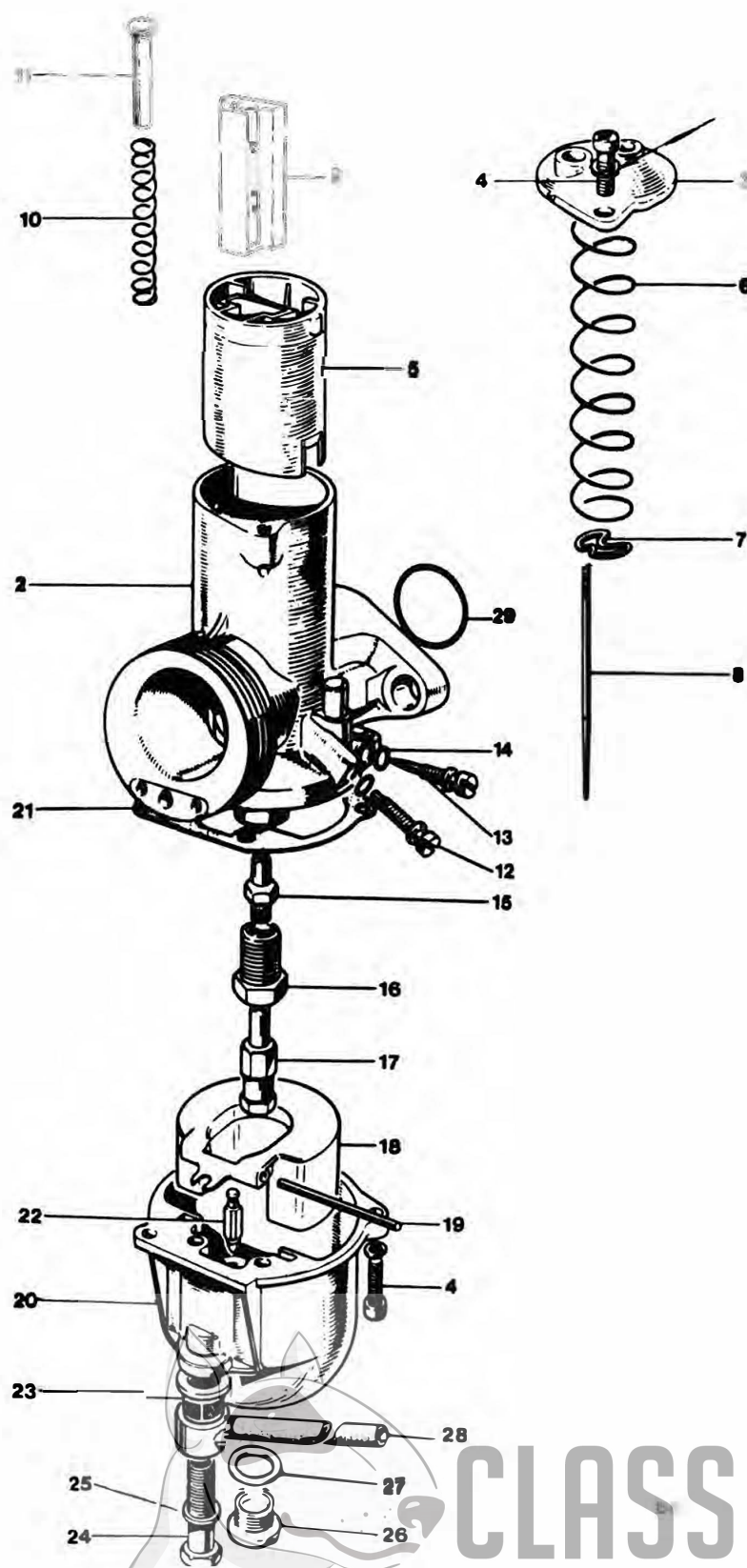


Fig. 7. CYLINDER BLOCK AND HEAD, T149Y

**CLASSIC
BIKE SPARES**

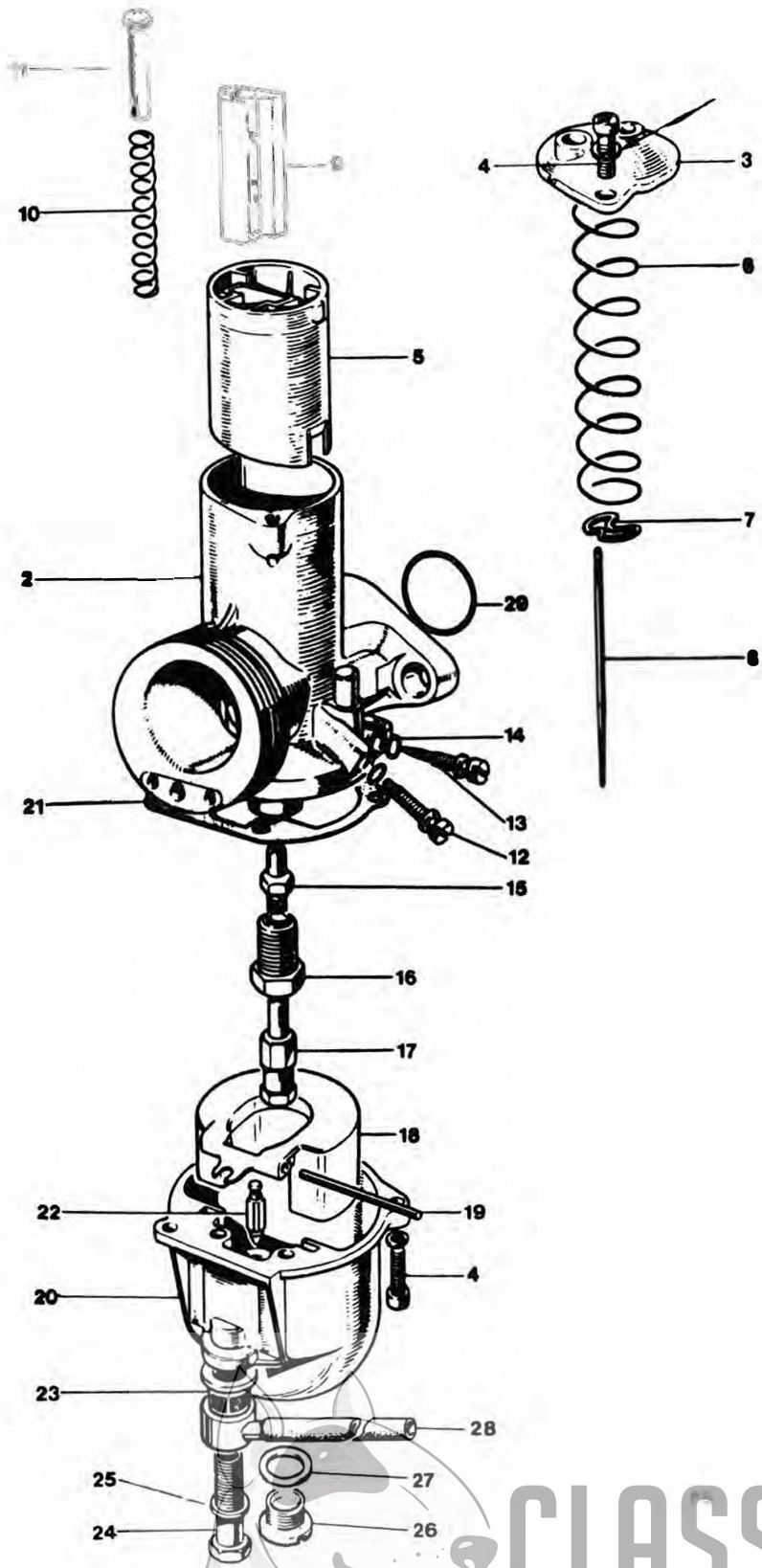




**CLASSIC
 BIKE SPARES**

No. 1. ANAL CARBURETOR 7001

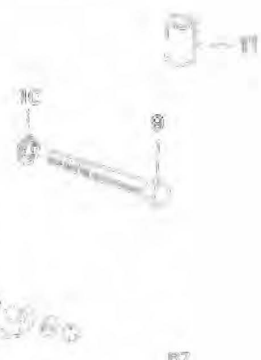
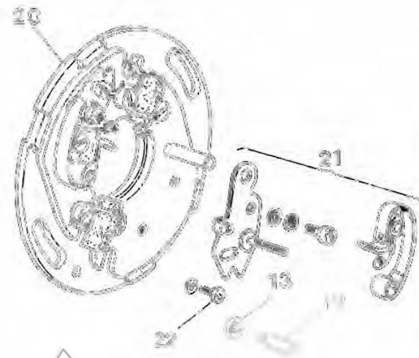
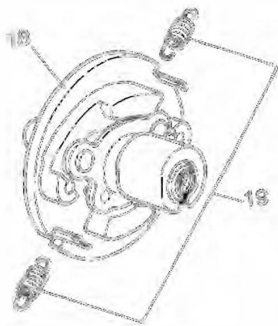
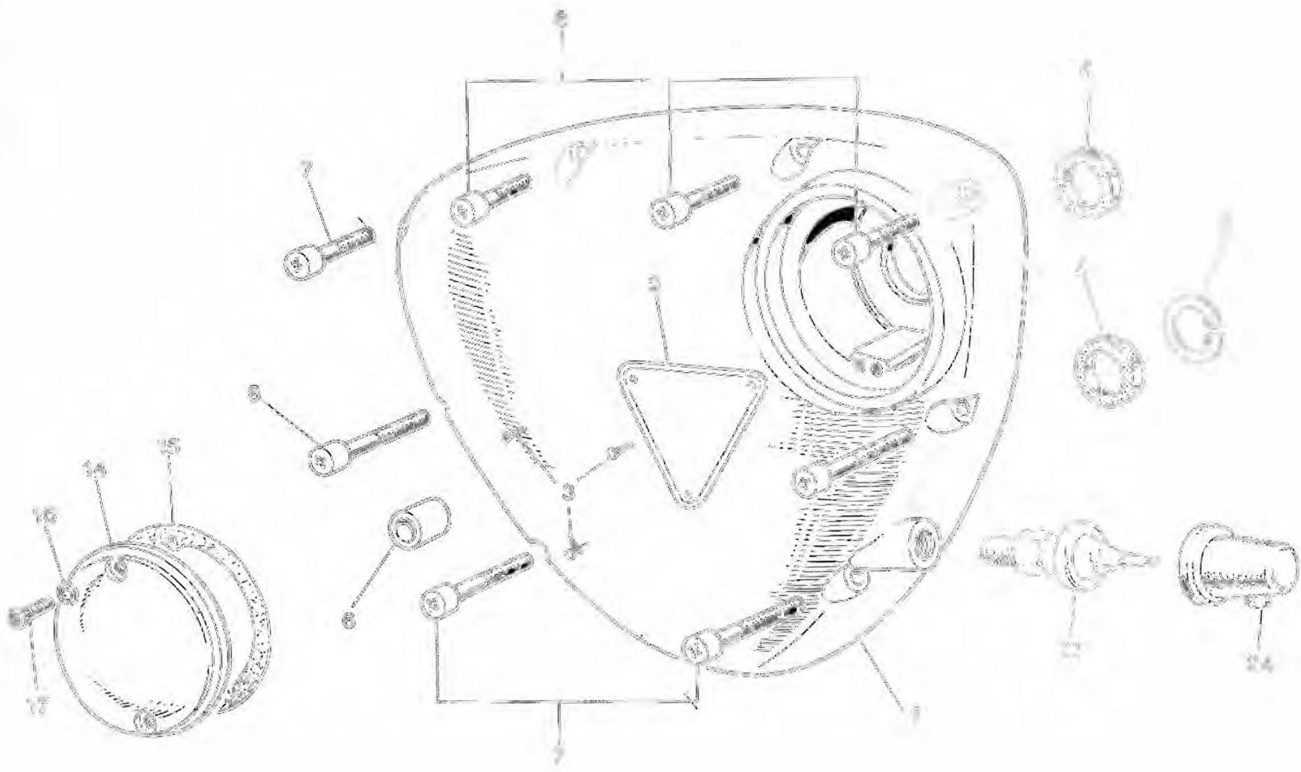




CLASSIC
BIKE SPARES

CLASSIC CARBURETOR KIT

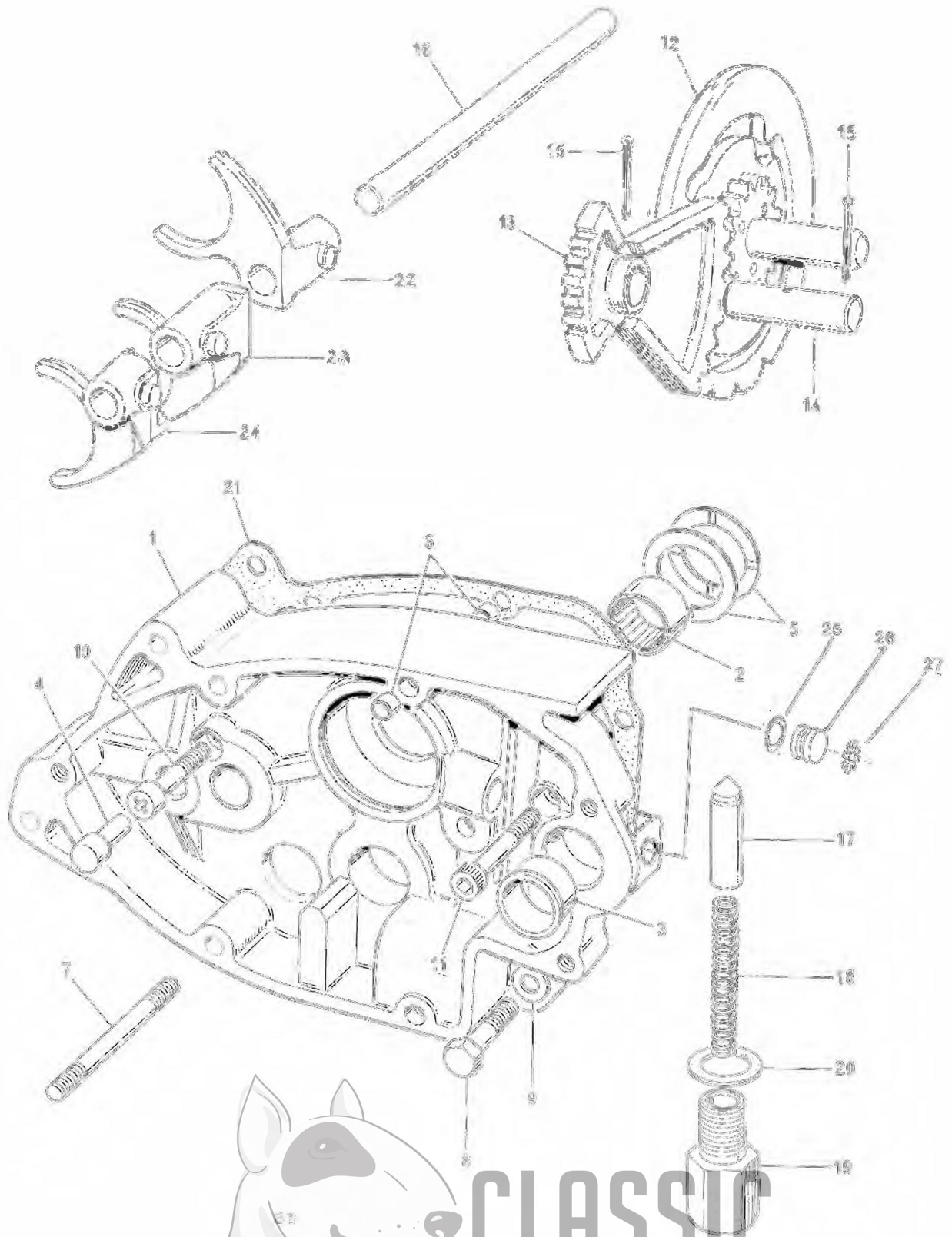




**CLASSIC
BIKE SPARES**

Fig. 18. TIMING COVER AND CONTACT BREAKER





CLASSIC BIKE SPARES

FIG. (C) GEARBOX INNER COVER AND SELECTORS



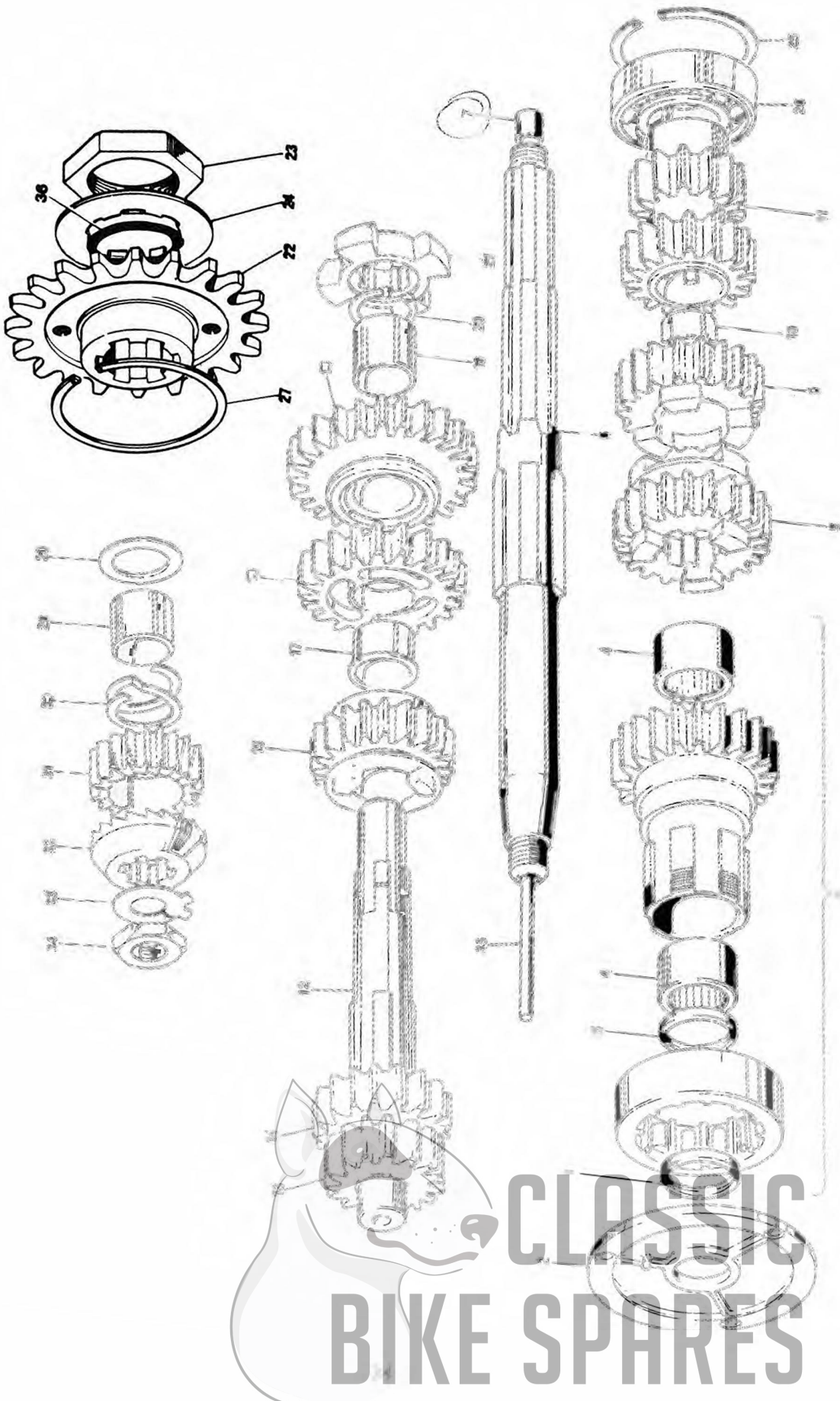
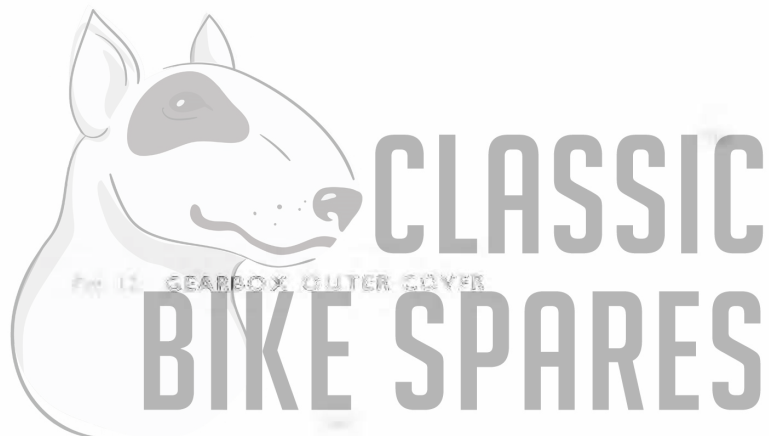
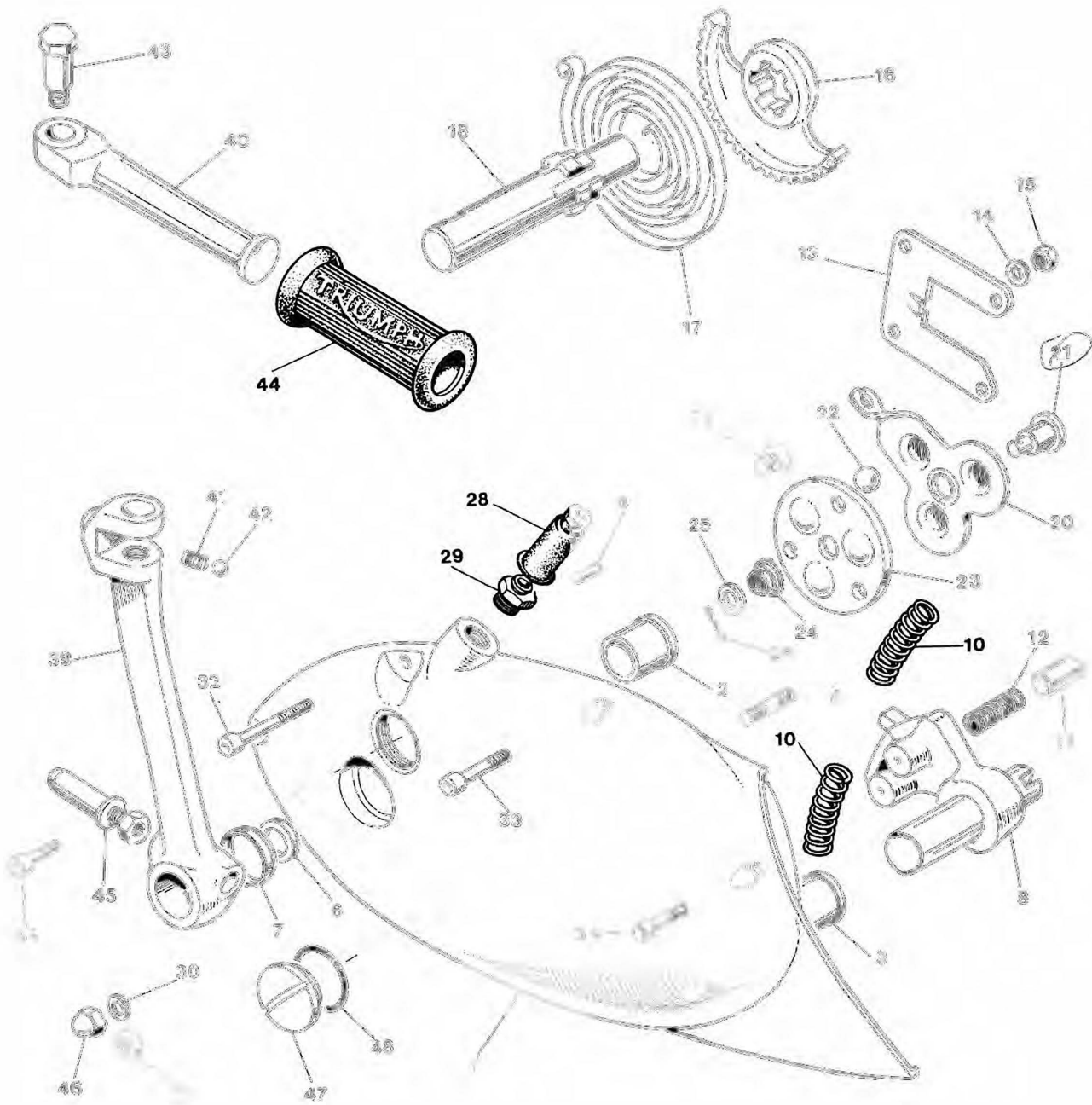


FIG. 17. GEARBOX SHAFTS AND GEARS (7 SPEED)

CLASSIC
BIKE SPARES







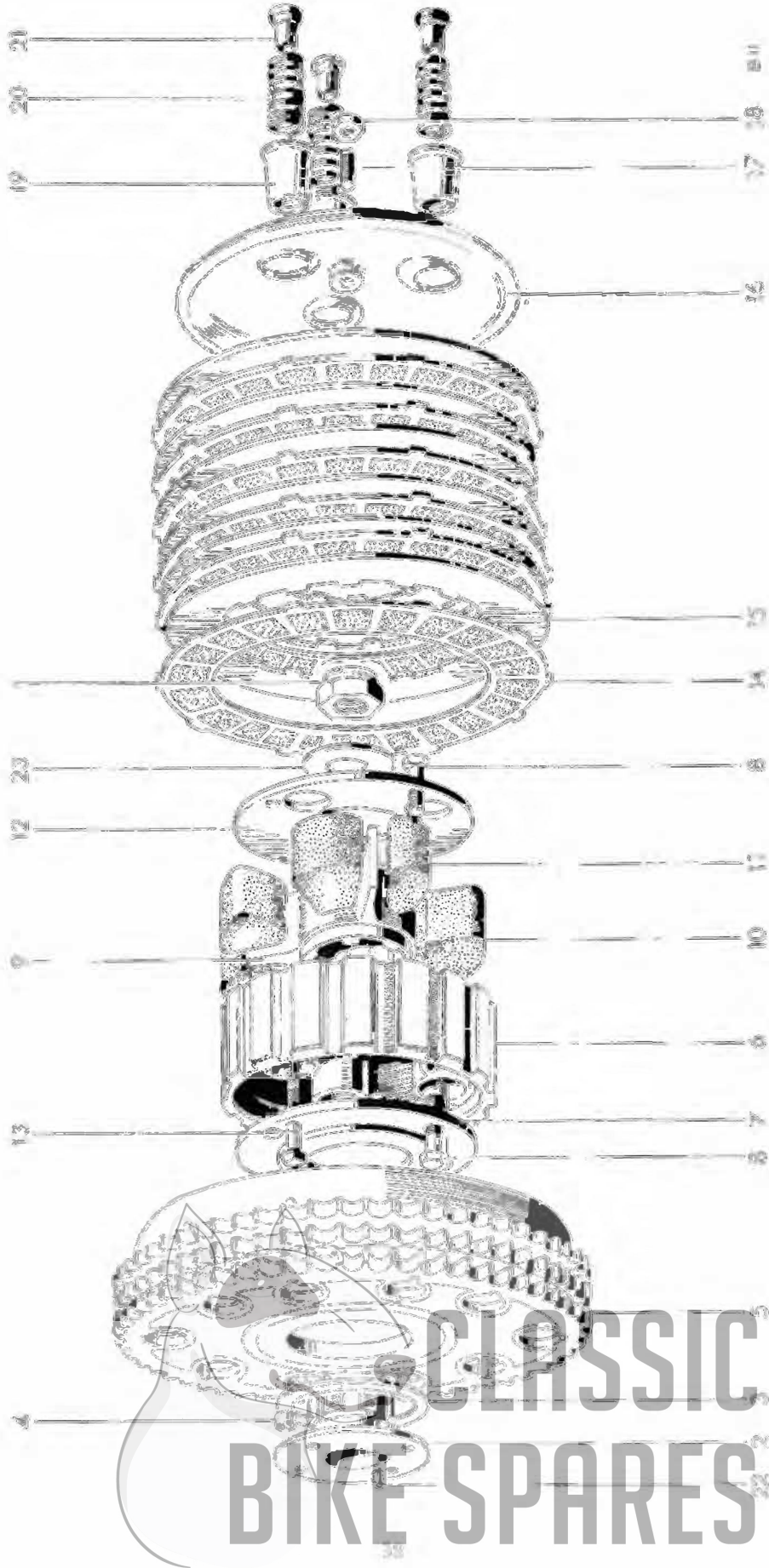


FIG. 14. CLUTCH

CLASSIC
BIKE SPARES



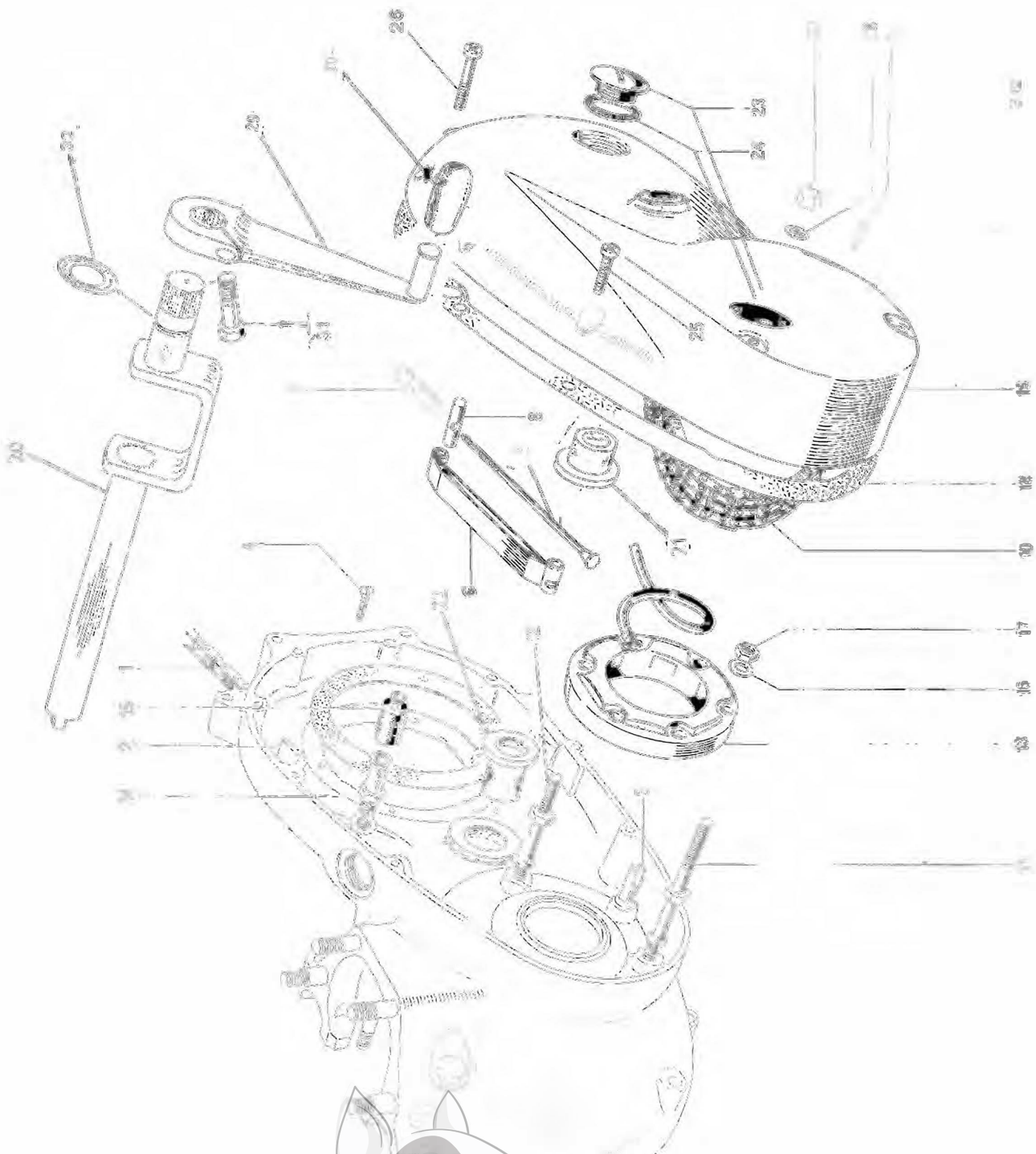
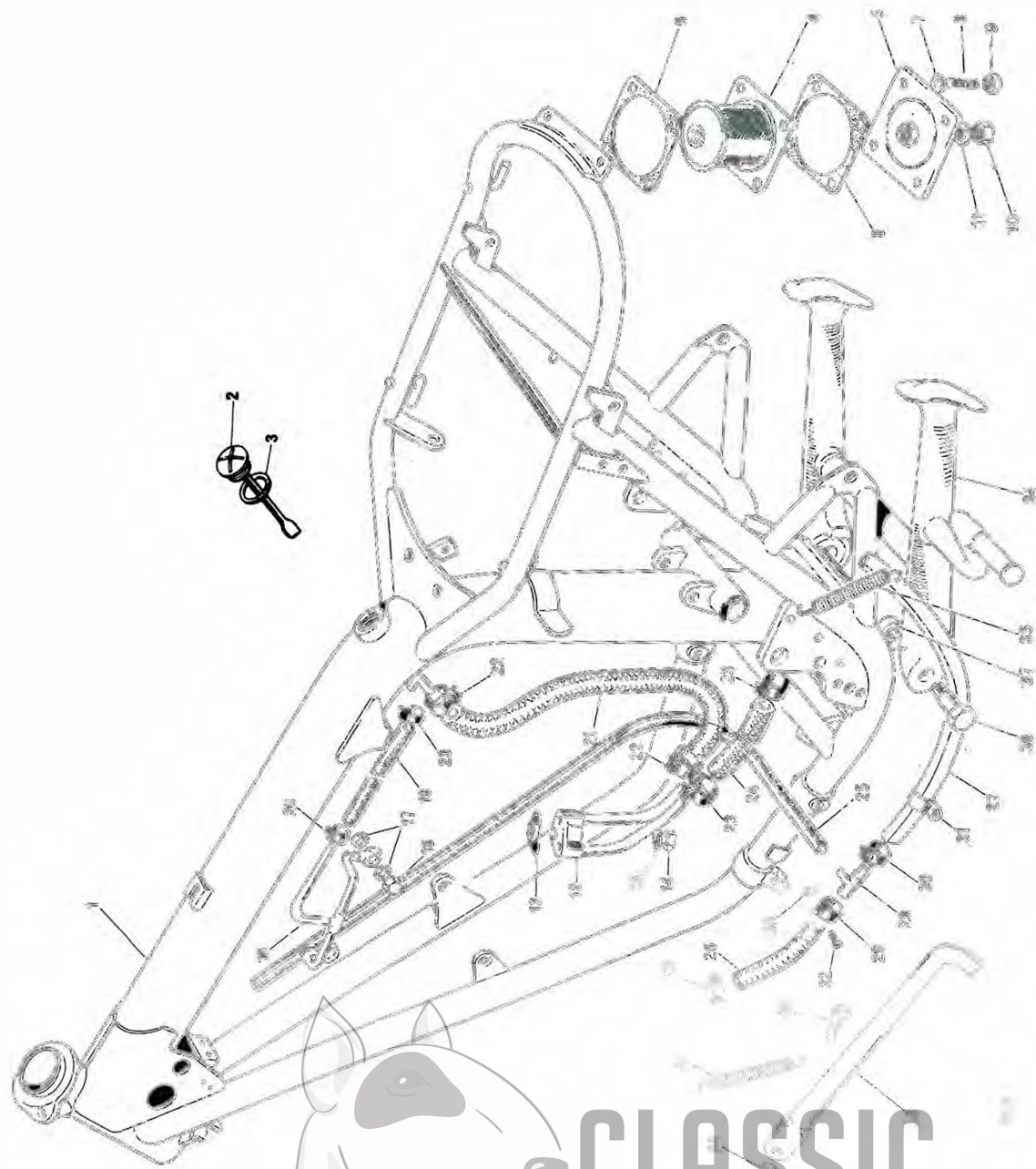


Fig. 10. CHAINCASE AND CHAINS

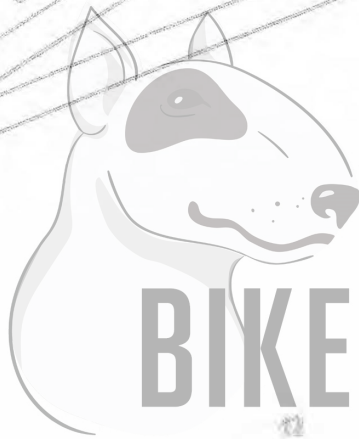


**CLASSIC
BIKE SPARES**





1/60 FRAME



CLASSIC BIKE SPARES

FRAME

Ref. No.	Part No.	Description	Quantity	Remarks
1	83-7102	Frame	1	
2	71-3462	Oil filler cap	1	
3	60-3616	"O" ring	1	
4	83-4783	Oil filter	1	
5	71-5316	Sump plate	1	
6	83-2829	Gasket	2	
7	60-2330	Washer	4	
8	21-2025	Scud	4	Sump plate to frame
9	14-13071	Nut	4	
10	82-5343	Drain plug	1	
11	70-1325	Joint washer	1	
12	71-3478	Oil junction block	1	
13	71-3734	Joint washer	1	
14	21-1908	Nut	1	
15	70-3446	Washer	1	Junction block to crankcase
16	71-3350	Rocker oil pipe	1	
17	70-1335	Washer	4	
18	71-0550	Nut	2	
19	71-3951	Rocker feed pipe	1	
20	70-6848	Clip—rocker feed pipe	2	
21	71-2345	Oil return pipe	1	
22	70-6848	Clip—return pipe	2	
23	82-9073	Clip—feed pipe	2	
24	71-3450	Oil feed pipe	1	
25	71-2349	Oil vent pipe	1	
26	83-5285	Crankcase breather pipe—front	1	
27	83-4813	Crankcase breather pipe—rear	1	
28	83-5290	"O" ring	1	
29	60-2252	Clip—breather pipe—front	2	
30	60-2252	Clip—breather pipe—rear	1	
31	83-1615	Clip—breather pipe to fender	4	
32	97-3894	Screw	4	
33	82-4717	Nut	4	
34	83-4615	Centre stand	1	
35	83-3793	Spring	1	
36	21-3077	Pivot bolt	2	
37	14-1304	Nut	2	
38	83-1560	Prop stand	1	
39	82-7021	Bolt	2	
40	14-1303	Nut	2	
41	82-8382	Stop	1	
Not list.	60-3361	Washer "Made in England"	1	
Not list.	14-0114	Bolt	1	
Not list.	14-0402	Nut	1	



**CLASSIC
BIKE SPARES**

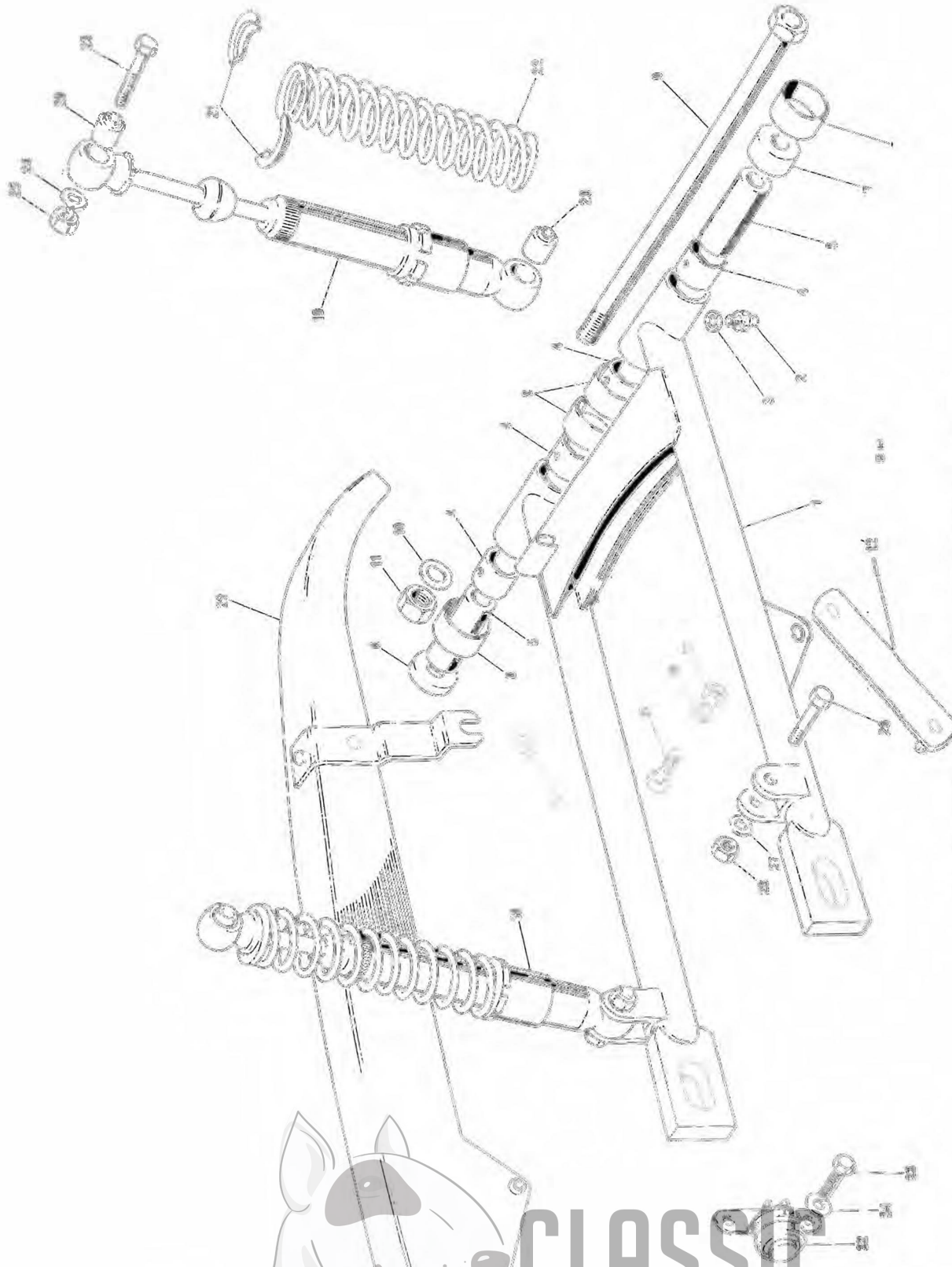


FIG. 17. SWINGING FORK AND SUSPENSION UNITS



**CLASSIC
BIKE SPARES**

Ref. No.

Part No.

DESCRIPTION

QUANTITIES

REQUIRED

SWINGING ARM AND SUSPENSION UNITS

Ref. No.	Part No.	DESCRIPTION	QUANTITIES	REQUIRED
1	83-7096	SWINGING ARM	1	1
2	60-1841	Grease nipple	2	2
3	71-2501	Washer, grease nipple	2	2
4	83-2521	Bush, pivot arm	4	4
5	83-2691	Shave, swinging arm pivot	2	2
6	83-2690	Distance piece R.H.	1	1
7	83-2689	Distance piece L.H.	1	1
8	83-2692	Dirt excluder	2	2
9	21-2087	Stud, swinging arm pivot	1	1
10	83-2266	Washer, swinging arm pivot	2	2
11	14-1307	Nut, swinging arm pivot	1	1
12	83-7098	Brake anchor stay	1	1
			1	1
			1	1
			1	1
			1	1
			1	1
13	14-0133	Bolt, torque stay to swinging arm	1	1
14	37-2930	Washer, torque stay to swinging arm	1	1
17	14-1306	Nut, torque stay to swinging arm	1	1
18	64052564	SUSPENSION UNIT (60-3957)	1	1
19	6405263	Damper unit	1	Reference only
20	64533645	Bonded bush (99-0133)	4	4
21	9054/171	Spring retainer (99-0107)	4	4
22	64543708	Spring, 110 lbs. chrome (99-1030)	2	2
23	14-0235	Bolt, damper—top	2	2
24	60-2331	Washer, damper—top	2	2
25	14-1303	Nut, damper—top	2	2
26	14-0236	Bolt, damper, lower	2	2
27	60-2321	Washer damper lower	2	2
28	14-1303	Nut damper lower	2	2
29	83-2641	Chainguard	1	1
			1	1
31	60-2347	Washer, chainguard fixing—front	1	1
32	34815	Stop lamp switch—1185A (79-1028)	1	1
33	22-7010	Screw	2	2
34	97-1388	Washer	2	2
Set Tools	83-7047	Big & top light switch	1	1

Also listed with rear wheel

Reference only



**CLASSIC
BIKE SPARES**

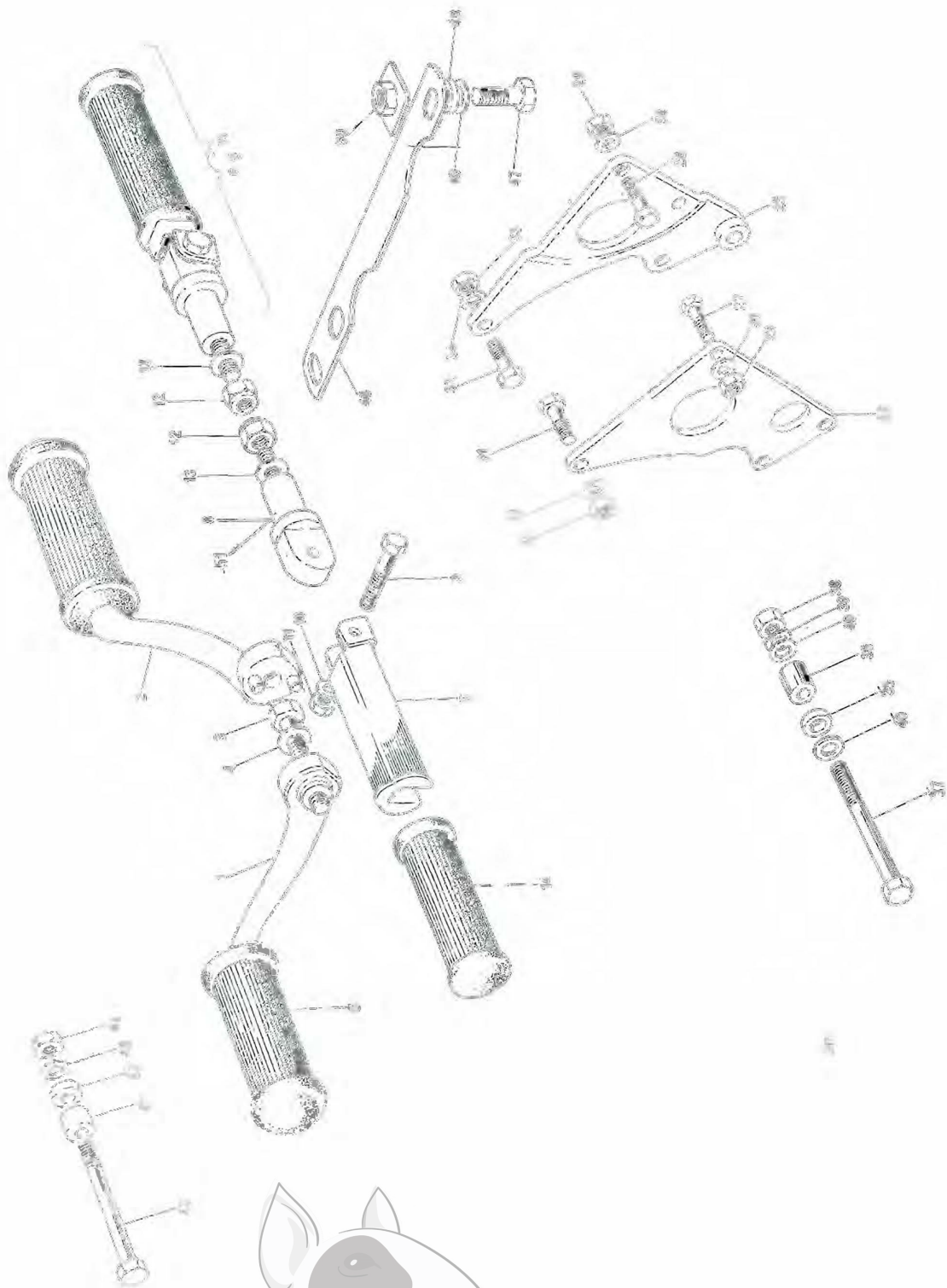
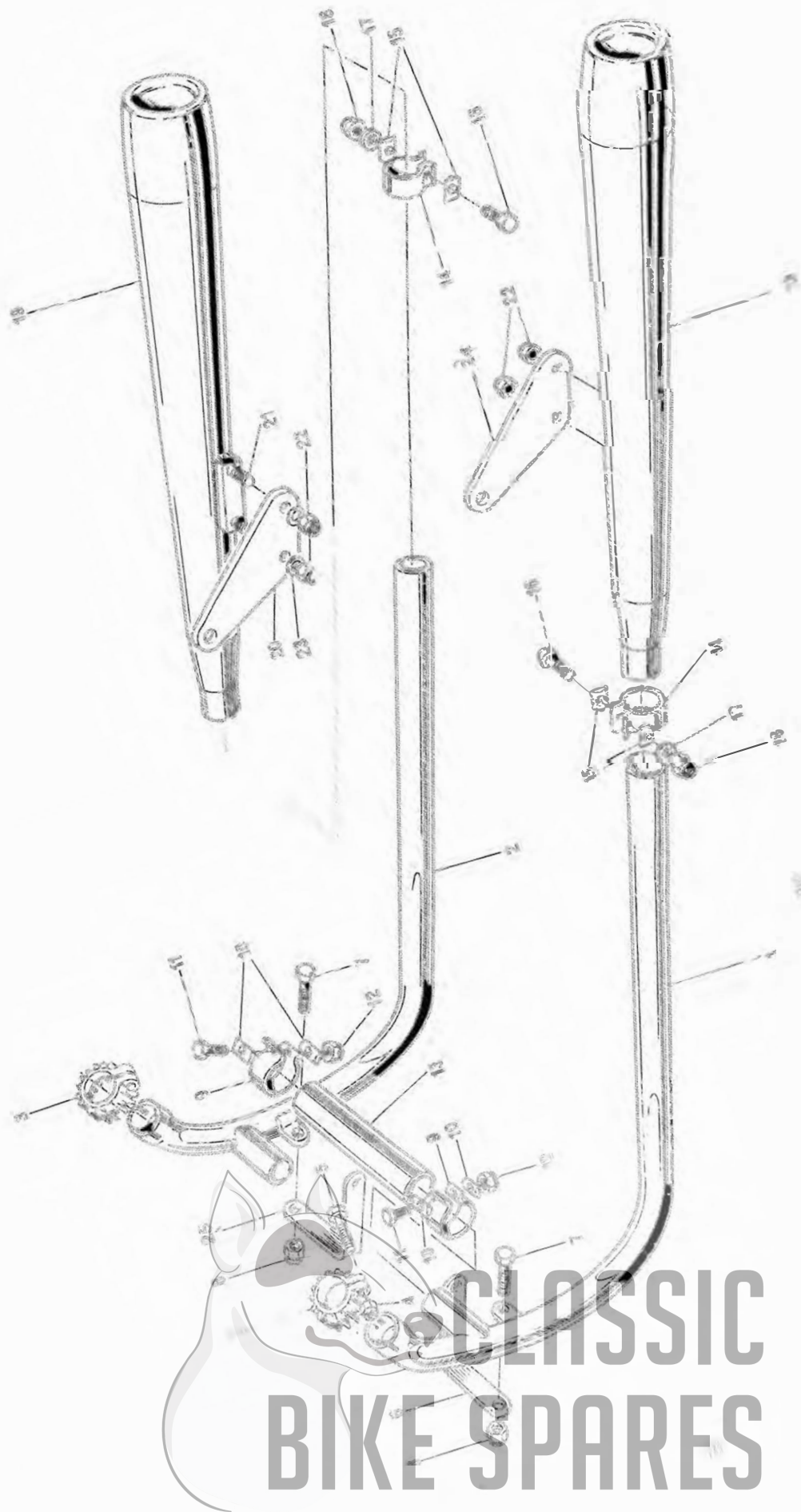


FIG. 15. MOTOR UNIT FITTING AND FOOTRESTS



**CLASSIC
BIKE SPARES**

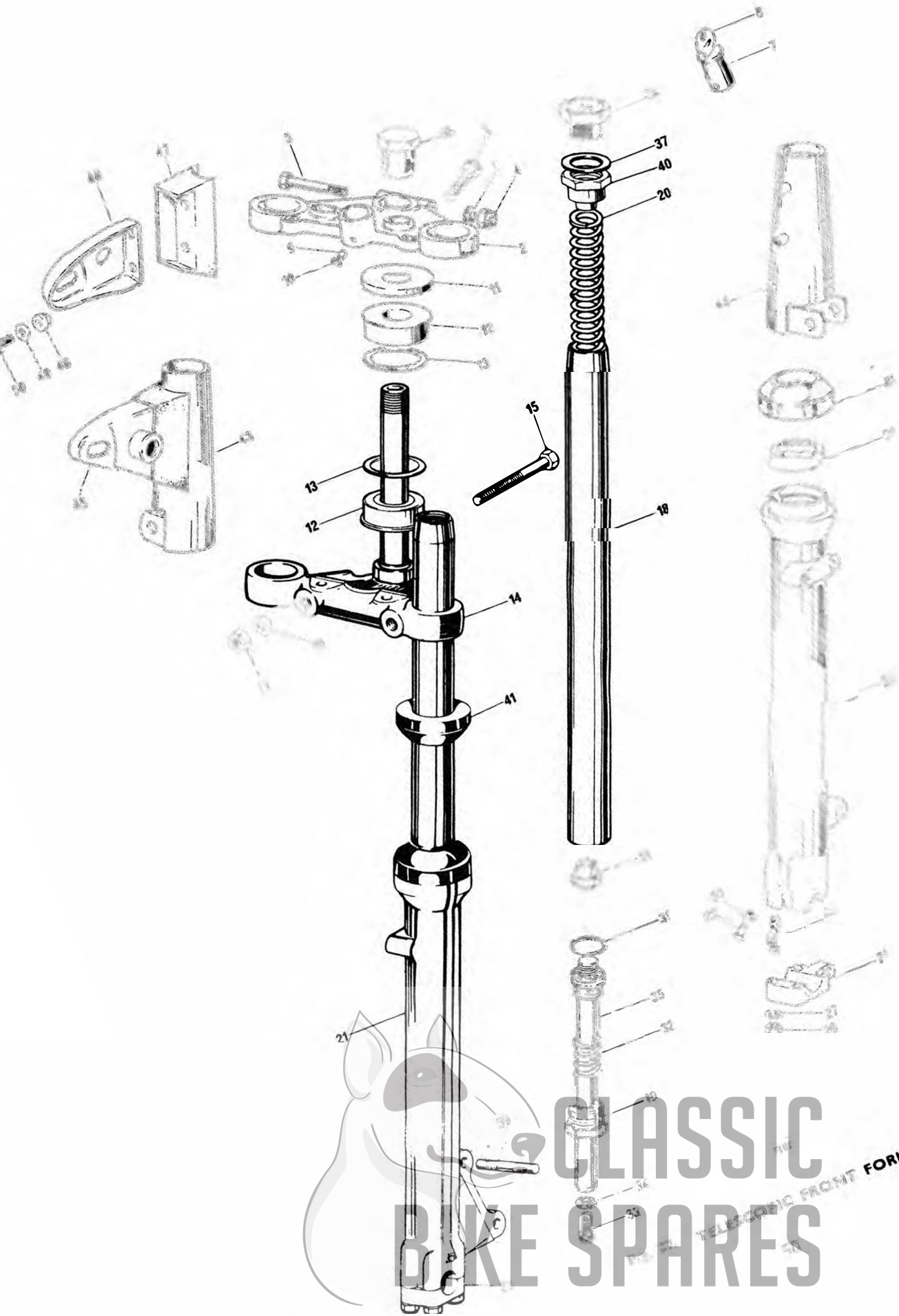




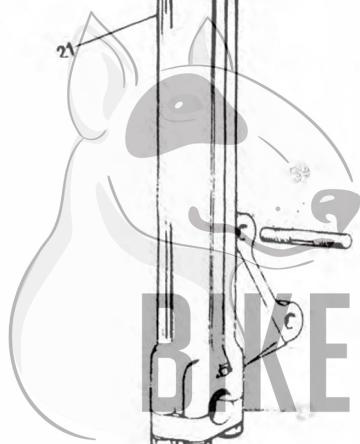
SELETTI PIPIE AND MUMIPIPIE
CLASSIC BIKE SPARES

CLASSIC
BIKE SPARES





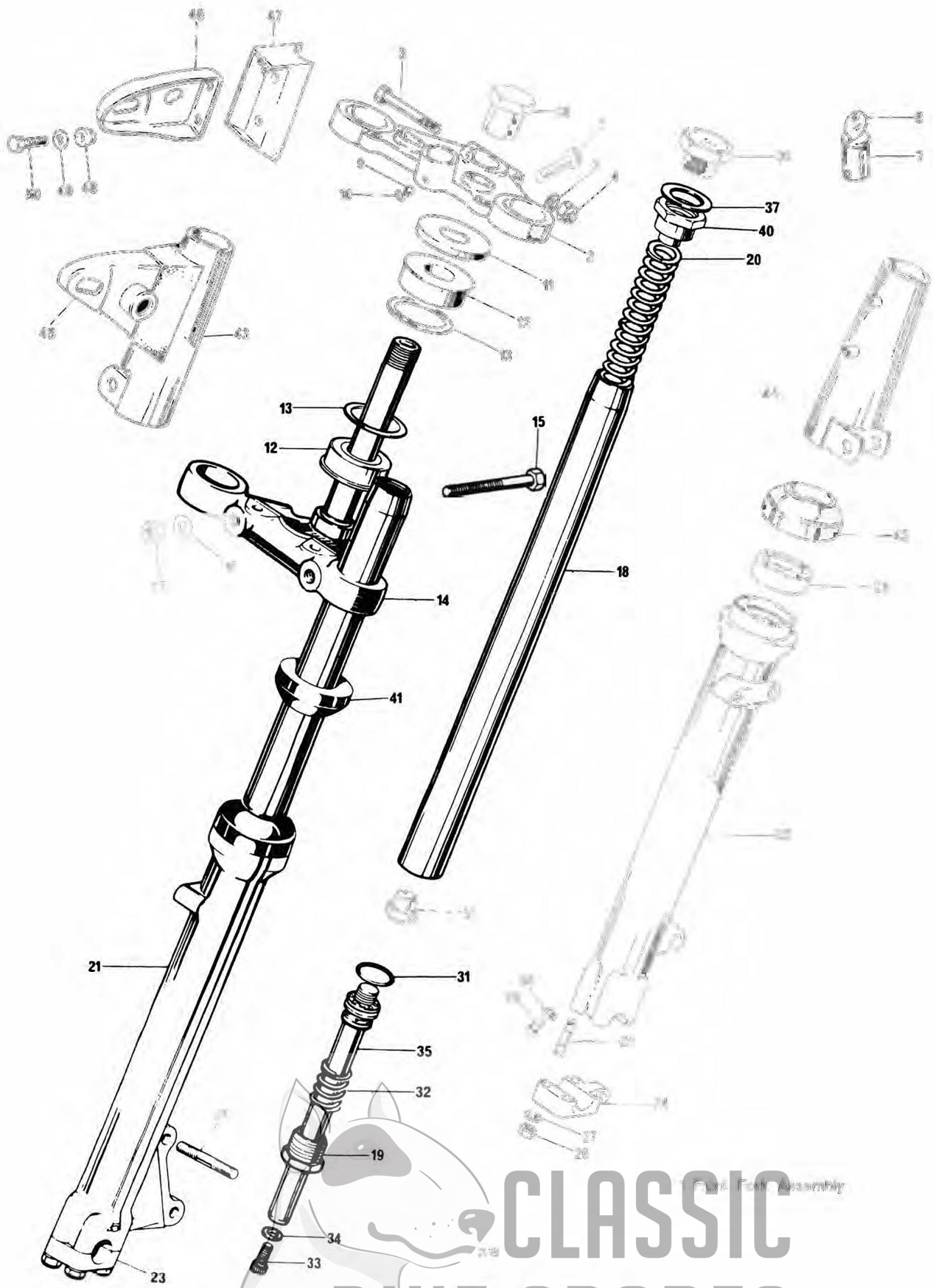
1. How (For) Assembly



CLASSIC
BIKE SPARES

TELEGRAPHIC FRONT FORK

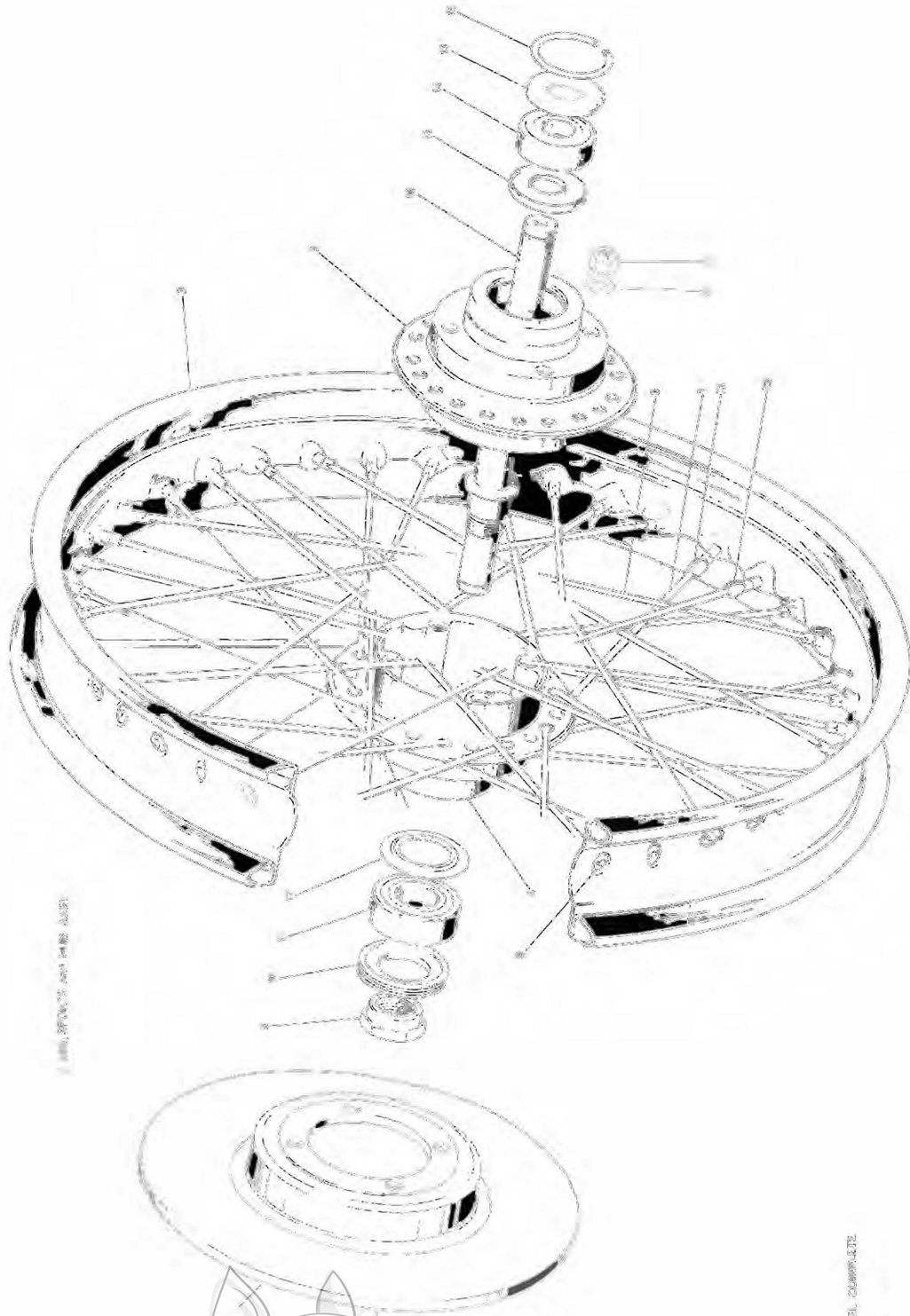




CLASSIC BIKE SPARES

Fig. 29. TELESCOPIC FRONT FORK





1. 1mm SPACER AND 2mm ASST.

PRODUCT IMAGE, COMPLETE

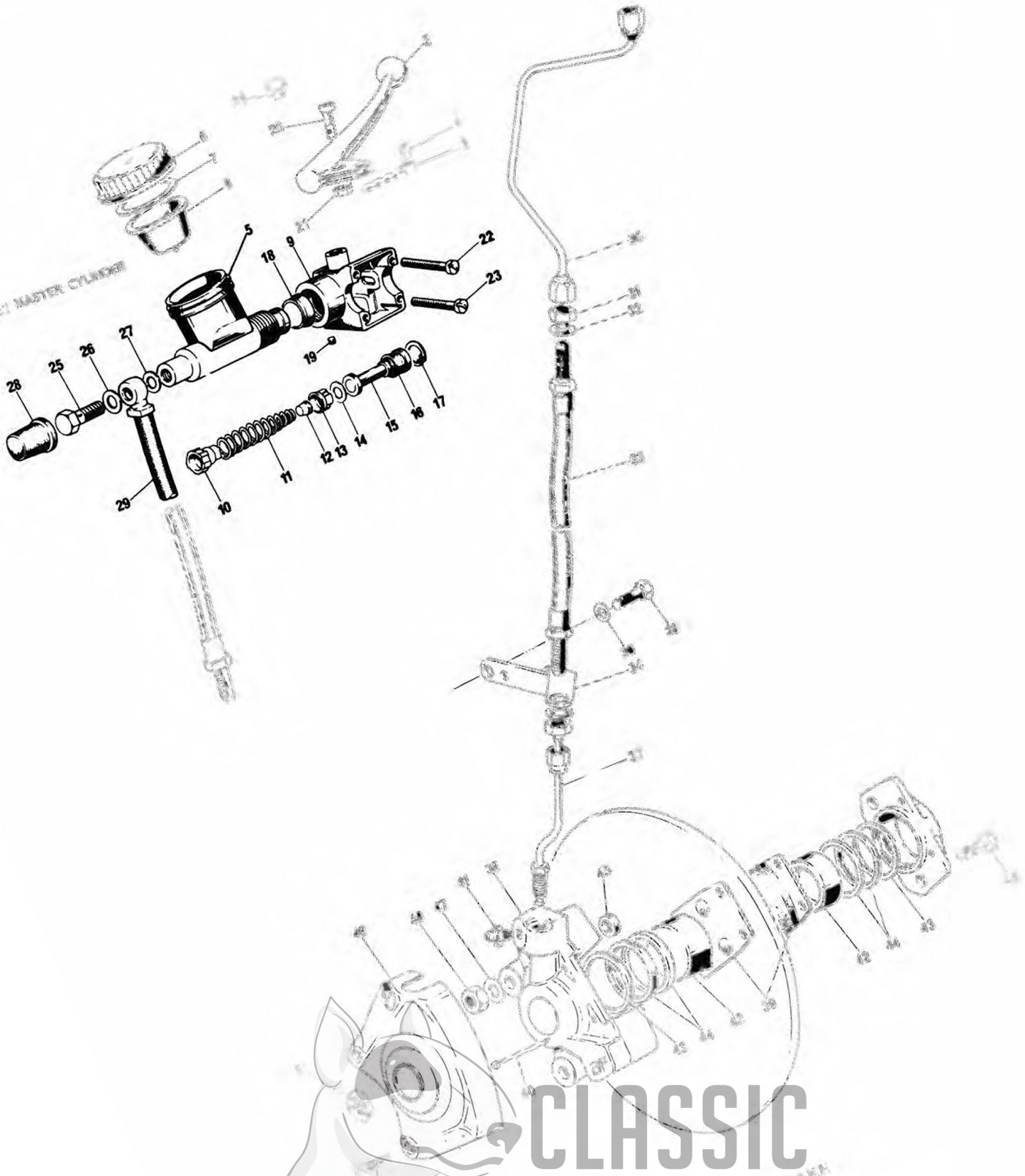
Fig. 23 FRONT WHEEL



**CLASSIC
BIKE SPARES**



1/2" MASTER CYLINDER



CLASSIC
BIKE SPARES
FRONT BRAKE



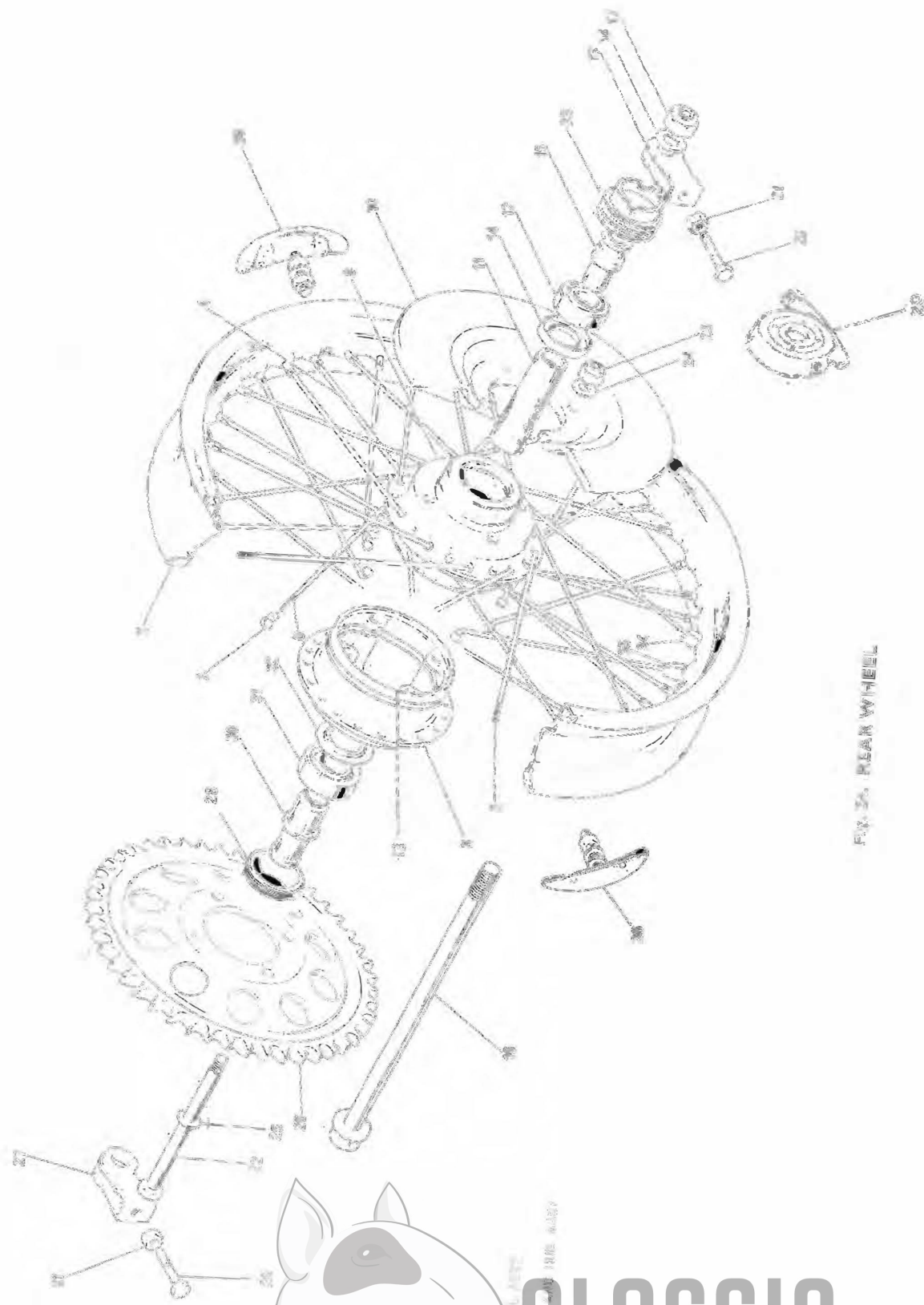
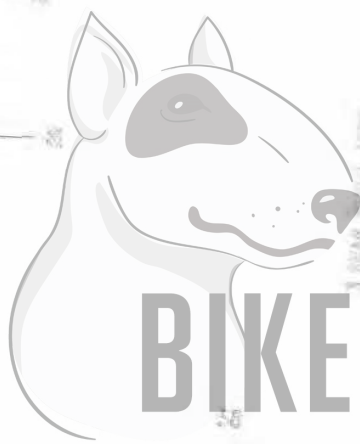


FIG. 26. REAR WHEEL



CLASSIC
BIKE SPARES



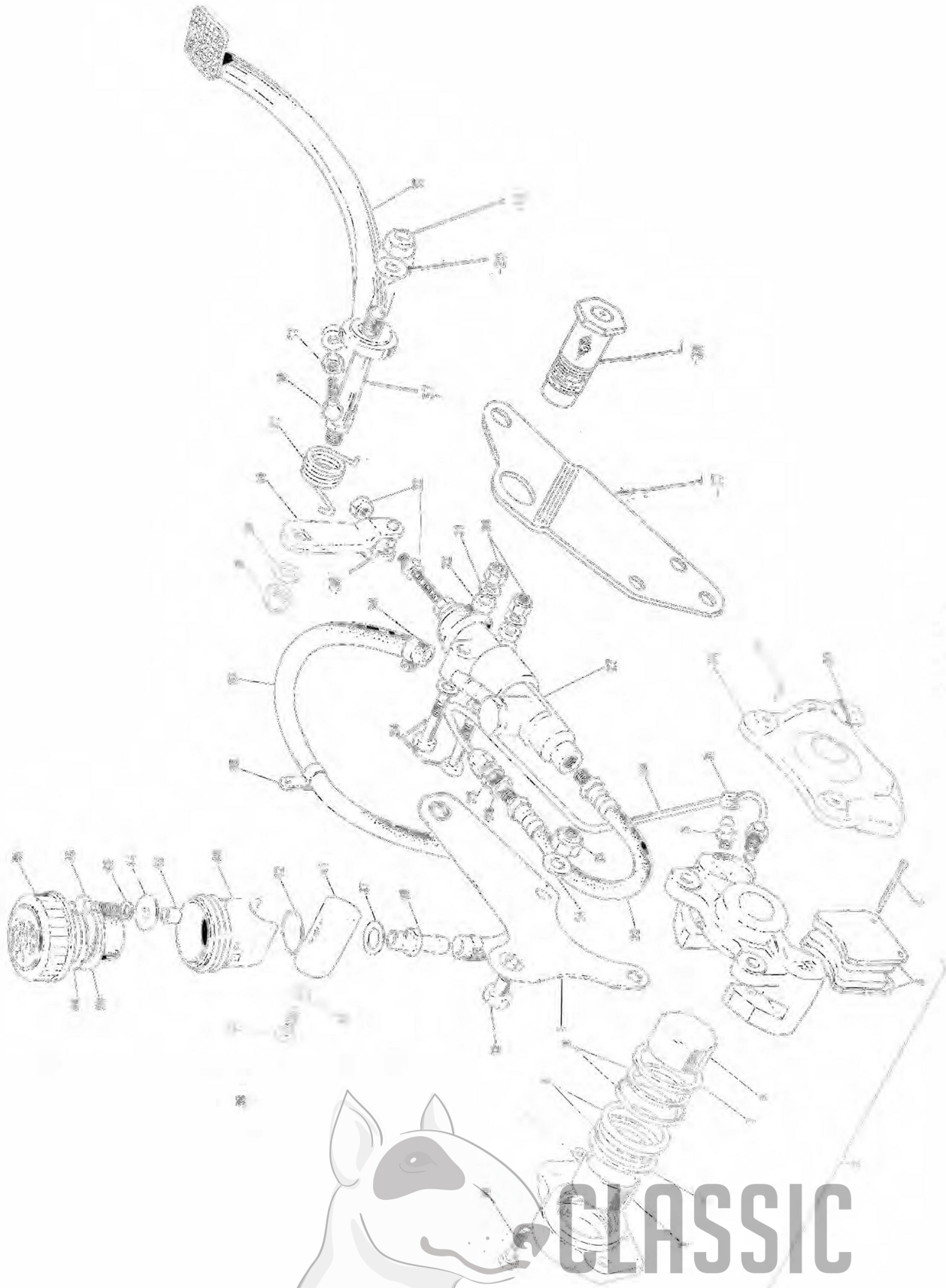


Fig. 33. REAR BRAKE



**CLASSIC
BIKE SPARES**





FIG. 25 GAS TANKS AND TWINSEAT



CLASSIC BIKE SPARES



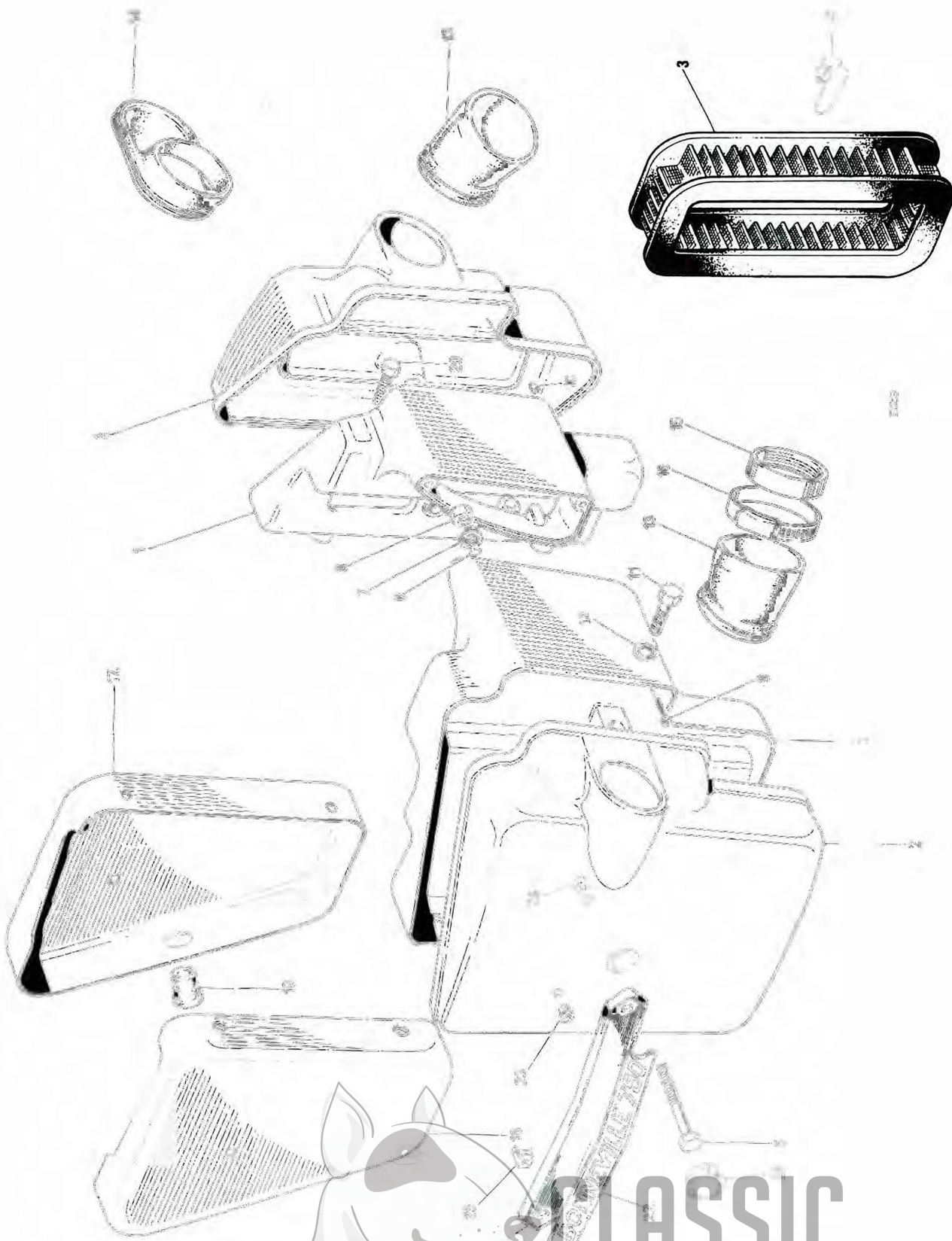


FIG. 26 AIR CLEANERS AND SIDE PANELS

**CLASSIC
BIKE SPARES**



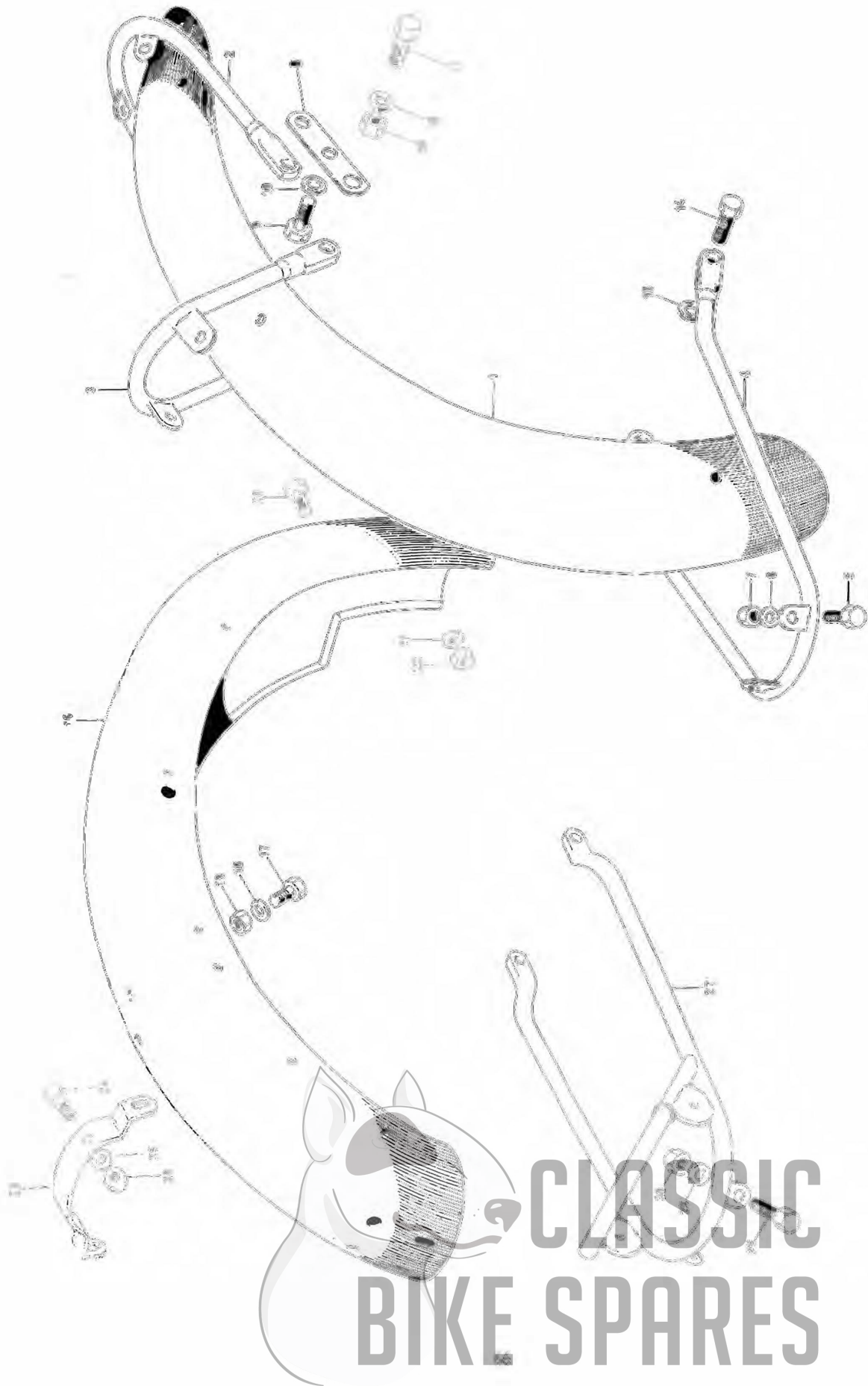
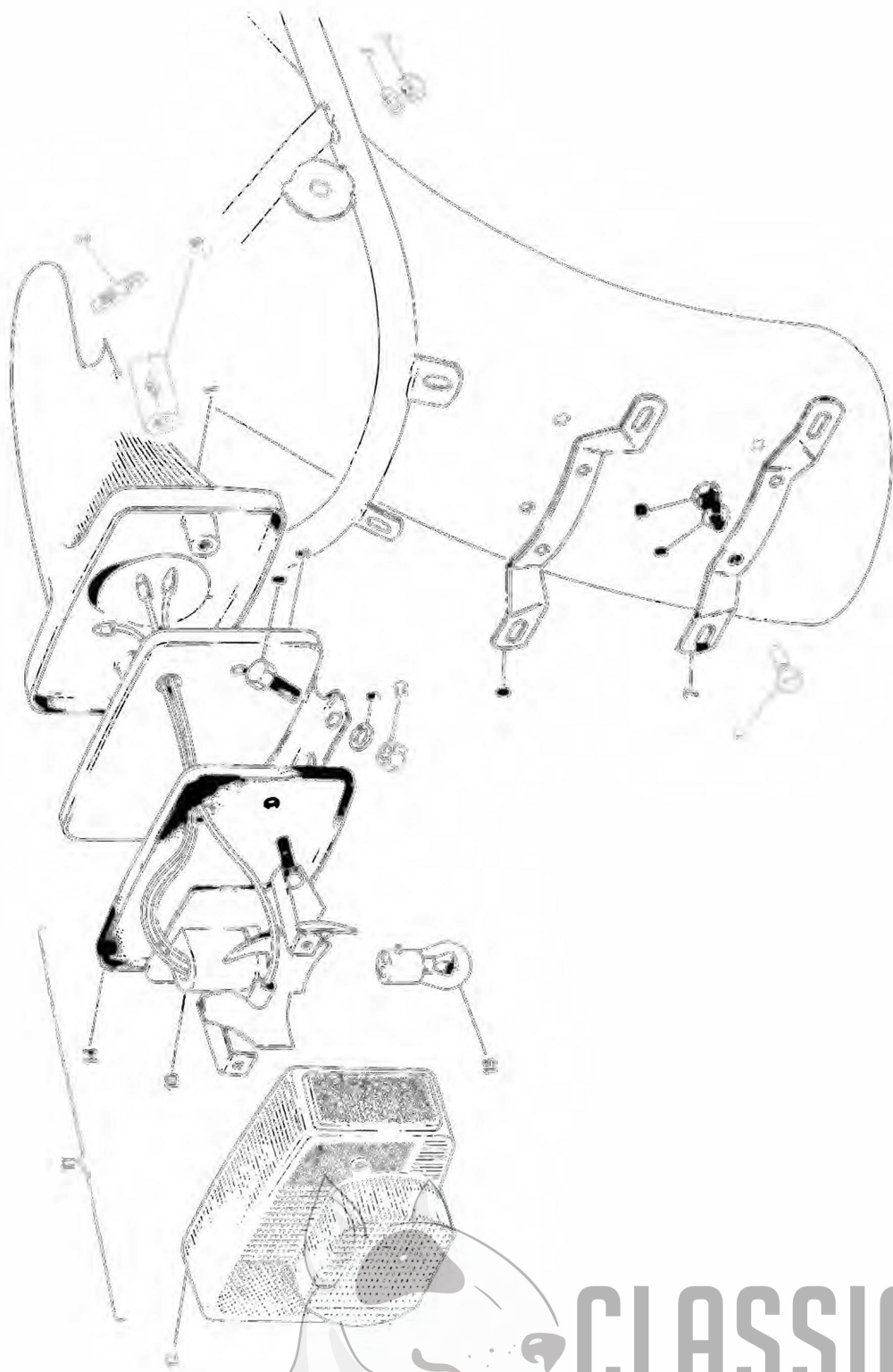


Fig. 10. FENDERS AND TAIL LAMP



**CLASSIC
BIKE SPARES**





C50

FIG. 30 TAIL LAMP AND SUPPORT

**CLASSIC
BIKE SPARES**



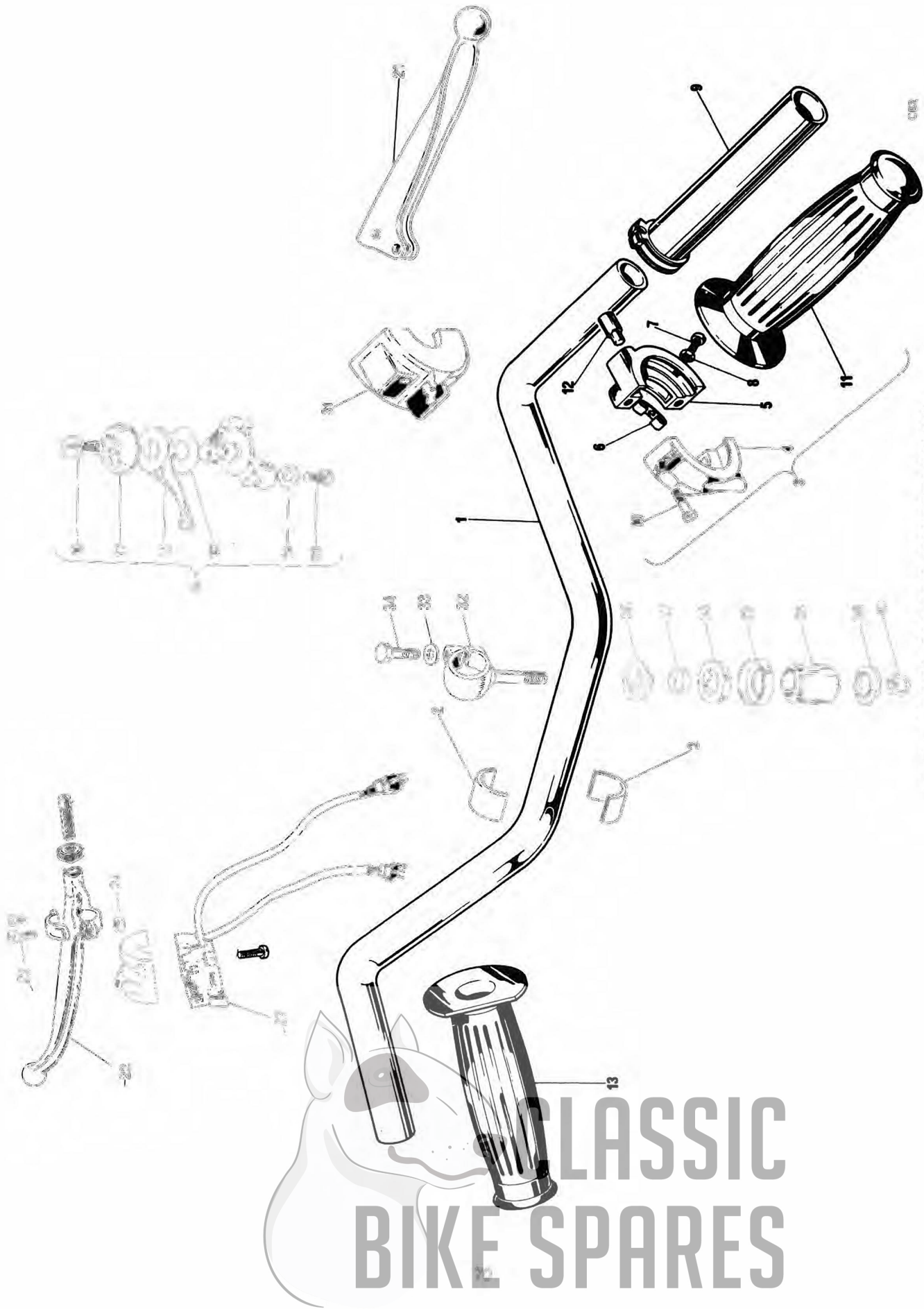


FIG. 29. HANDLEBAR AND CONTROL LEVERS

CLASSIC
BIKE SPARES



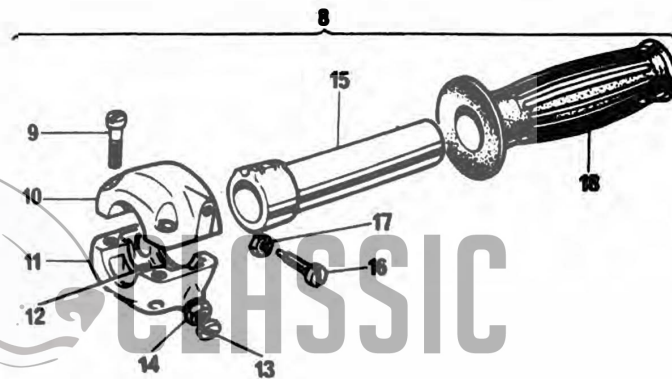
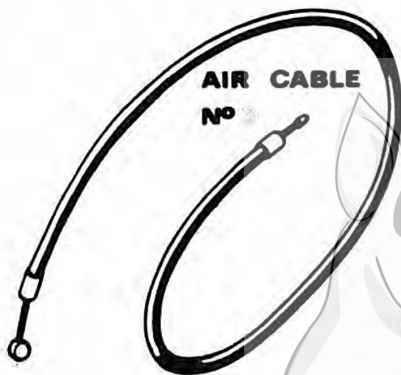
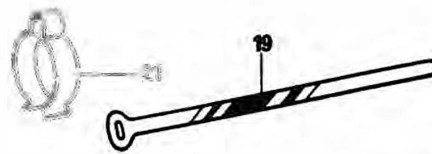
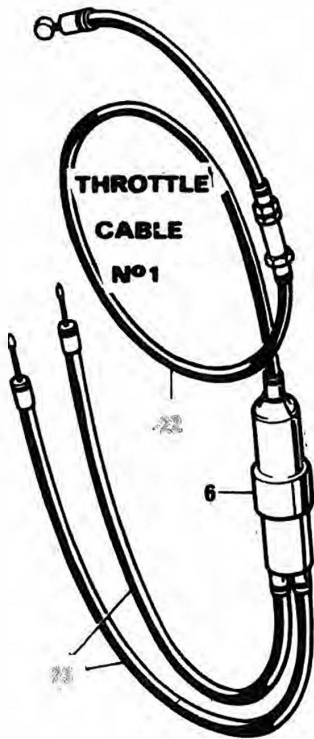
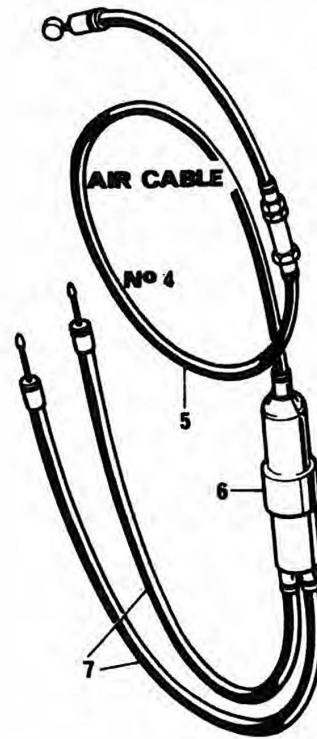


Fig. 14. CONTROL CABLES

CLASSIC
BIKE SPARES



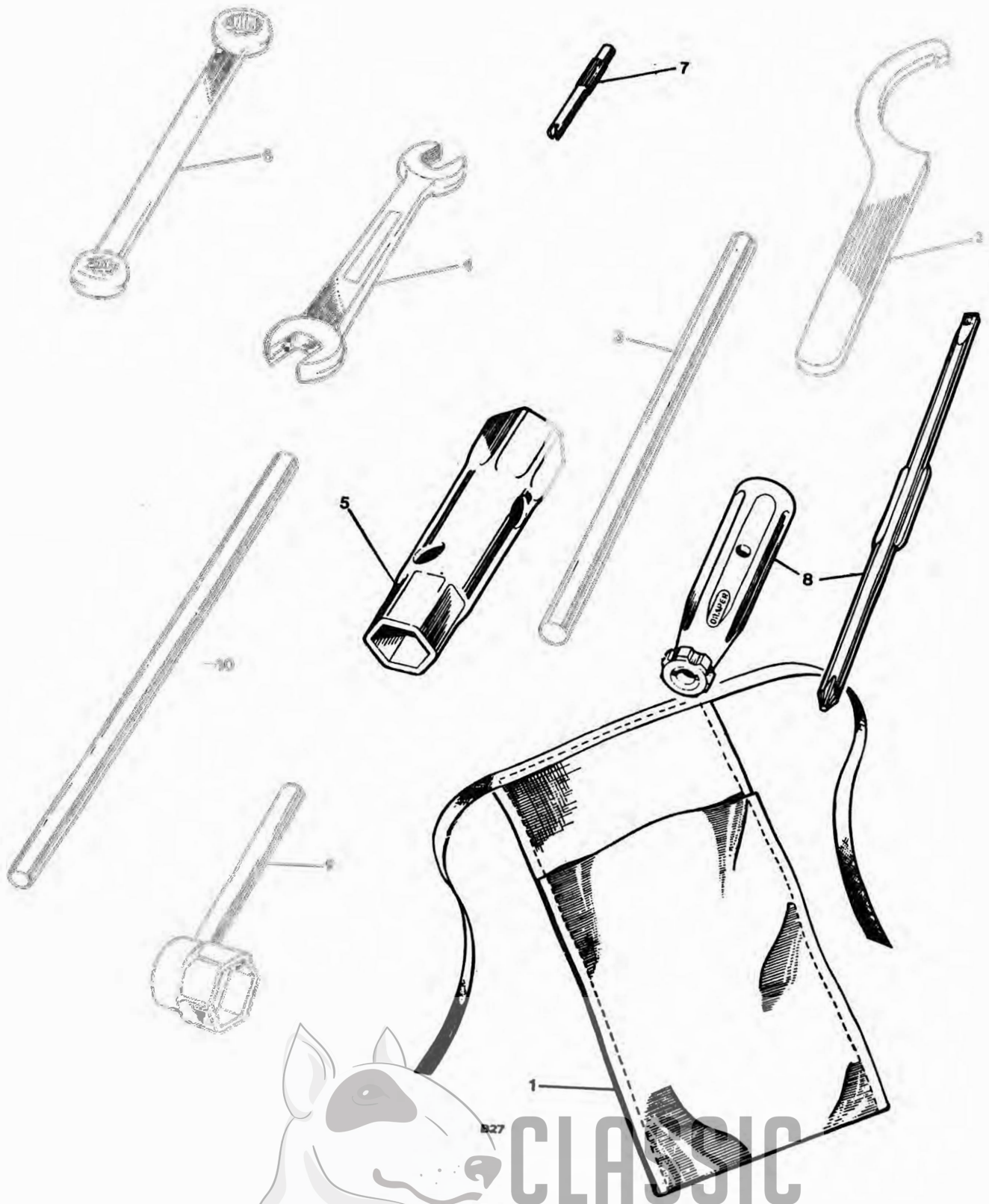


FIG. 1
TOOLKIT
**CLASSIC
BIKE SPARES**



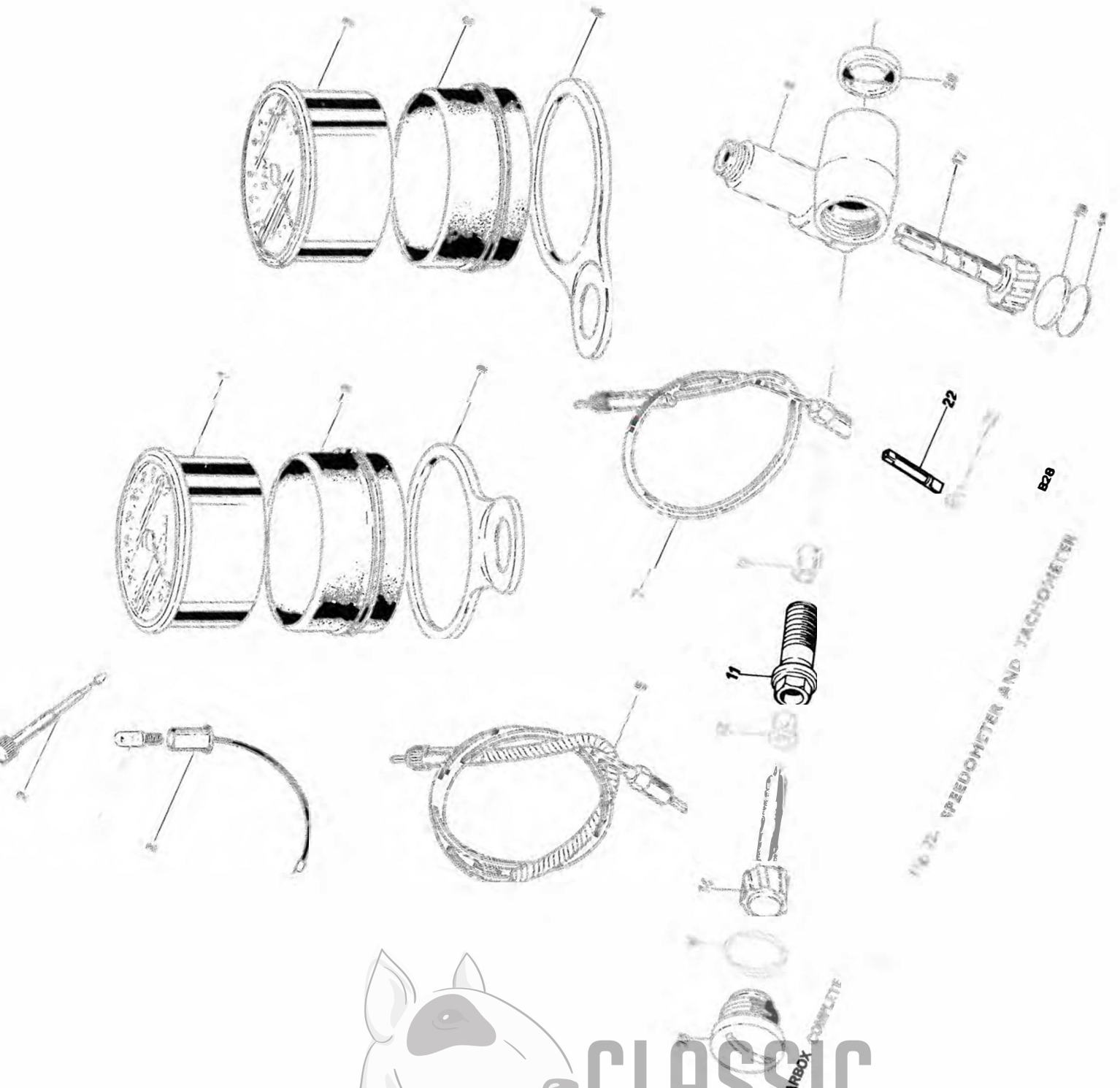


FIG. 22. SPEEDOMETER AND TACHOMETER



CLASSIC BIKE SPARES

TACHOMETER GEARBOX COMPONENTS



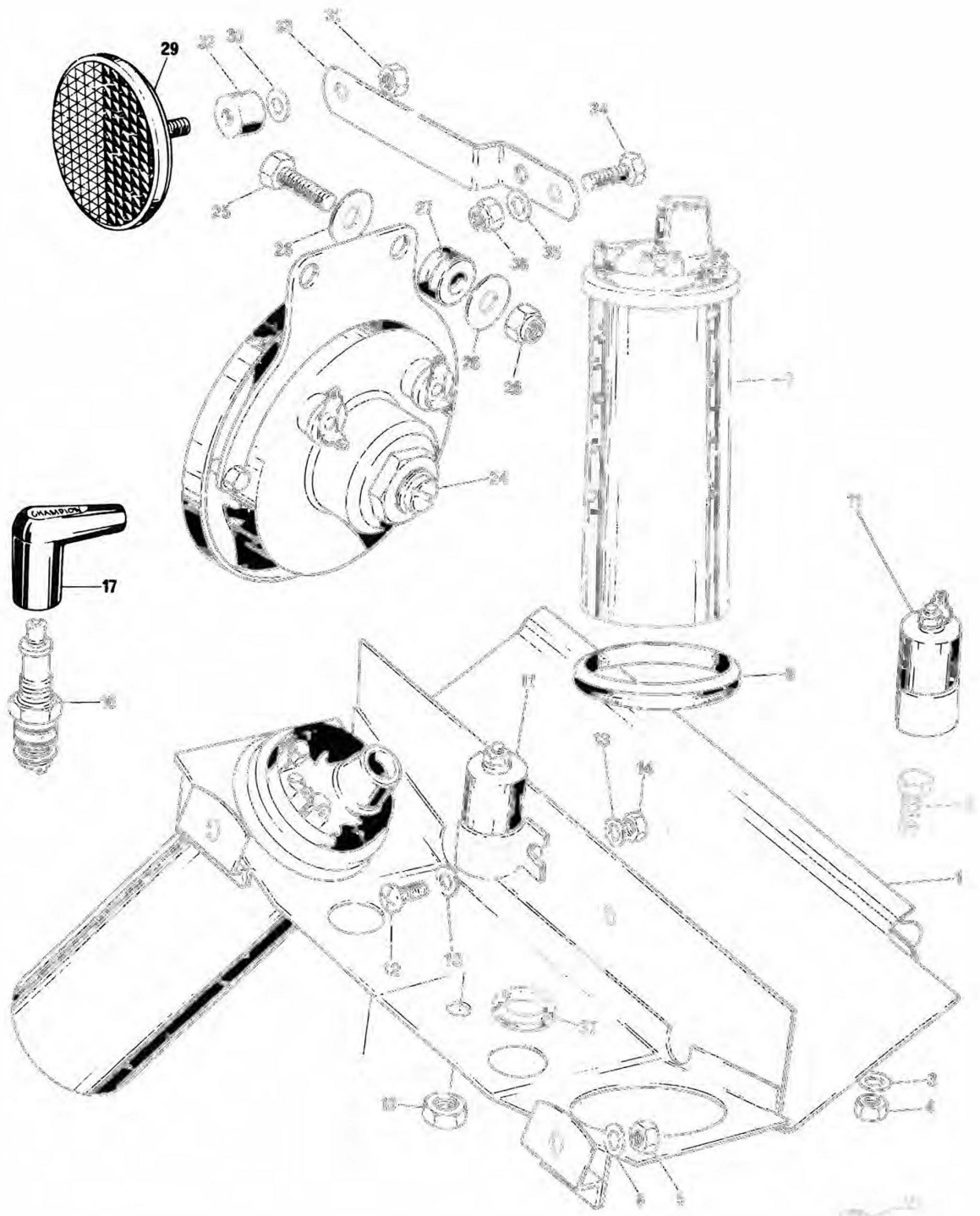


FIG. 18. CAPACITOR, FLASHER UNIT, DIODE AND HORN

CLASSIC BIKE SPARES



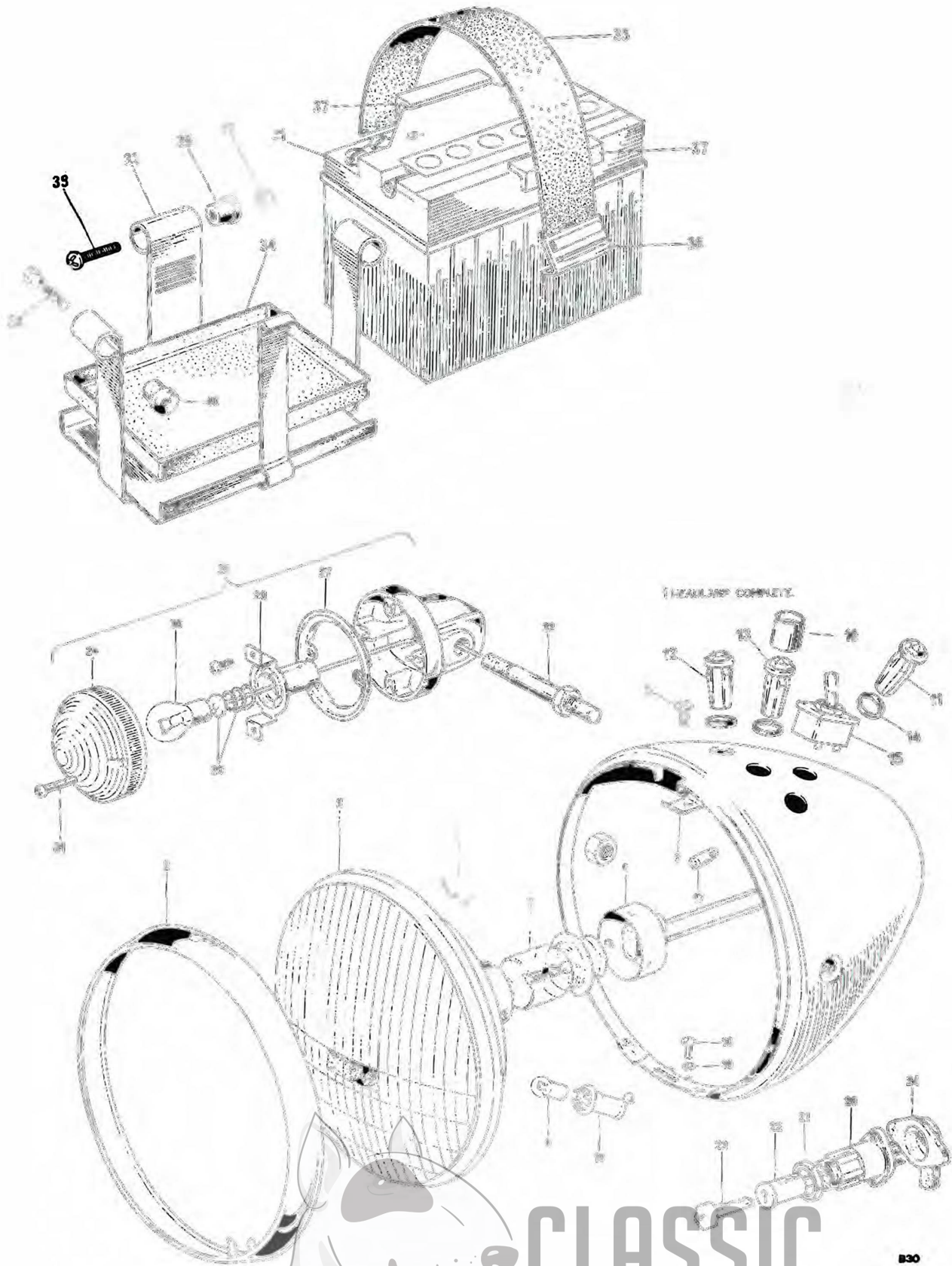


FIG. 34. HEADLAMP AND FLASHER LAMPS

CLASSIC
BIKE SPARES



STANDARD HARDWARE SPECIFICATION BOLTS

Part No.	Material	Thd. dia.	Length under head	Min. length of thread	Hexagon A./S.
21-1822	Steel	1/8" UNF	1"	1/2"	0.500"
21-1910	"	3/16" UNF	1 1/8"	1/2"	0.565"
21-1919	"	1/8" UNC	1 1/8"	1/2"	0.500"
21-2010	"	1/4" UNF	1 1/2"	1"	0.375"
14-0101	"	5/16" UNF	1 3/4"	1 1/4"	0.438"
14-0102	"	3/8" UNF	1 3/4"	1 1/4"	0.438"
14-0103	"	1/2" UNF	1 3/4"	1 1/4"	0.438"
14-0113	"	5/8" UNF	1 3/4"	1 1/4"	0.500"
14-0114	"	3/4" UNF	1 3/4"	1 1/4"	0.500"
14-0115	"	7/8" UNF	1 3/4"	1 1/4"	0.500"
14-0128	"	1" UNF	1 3/4"	1 1/4"	0.563"
14-0208	"	3/8" UNF	2 1/4"	2"	0.438"
14-0216	"	1/2" UNF	2 1/4"	2"	0.500"
14-0217	"	5/8" UNF	2 1/4"	2"	0.500"
14-0219	"	3/4" UNF	2 1/4"	2"	0.500"
14-0220	"	7/8" UNF	2 1/4"	2"	0.500"
14-0225	"	1" UNF	2 1/4"	2"	0.500"
14-0228	"	1 1/8" UNF	2 1/4"	2"	0.500"
14-0234	"	1 1/4" UNF	2 1/4"	2"	0.563"
14-0236	"	1 1/2" UNF	2 1/4"	2"	0.563"
14-0239	"	1 3/8" UNF	2 1/4"	2"	0.563"
14-0240	"	1 1/2" UNF	2 3/4"	2 1/2"	0.563"
14-0242	"	1 3/4" UNF	2 3/4"	2 1/2"	0.563"
14-0251	"	1 3/8" UNF	2 3/4"	2 1/2"	0.625"
14-0102	"	3/8" UNC	2 3/4"	2 1/2"	0.438"
14-0116	"	1/2" UNC	2 3/4"	2 1/2"	0.500"

NUTS

Part No.	Material	Thd. dia.	Hexagon A./S.	Thickness	Remarks
21-0776	Steel	No. 10 UNF	0.375"	0.255"	Clevis
21-1852	"	1/8" UNF	0.437"	0.330"	Phillips
21-1904	"	1/4" UNF	0.438"	0.188"	Plain
21-1908	"	3/8" UNF	0.438"	0.313"	Plain
21-1914	"	1/2" UNF	1.125"	0.250"	Plain
21-2012	"	3/8" UNF	1.313"	0.438"	Plain
21-2013	"	1/2" UNF	1.313"	0.313"	Plain
21-2014	"	3/4" UNF	1.313"	0.438"	Plain
14-0301	"	1 1/8" UNF	0.438"	0.224"	Plain
14-0302	"	1 1/4" UNF	0.500"	0.271"	Plain
14-0401	"	1 1/8" UNF	0.438"	0.161"	Lock
14-0402	"	1 1/4" UNF	0.500"	0.192"	Lock
14-0402	"	1 1/2" UNF	0.563"	0.224"	Lock
14-0701	"	1 1/8" UNF	0.438"	0.203"	Phillips
14-0702	"	1 1/4" UNF	0.500"	0.246"	Phillips
14-0703	"	1 1/2" UNF	0.563"	0.296"	Phillips
14-1201	"	1 1/8" UNF	0.438"	0.285"	Stiffnut
14-1202	"	1 1/4" UNF	0.500"	0.335"	Stiffnut
14-1201	"	1 1/2" UNF	0.563"	0.385"	Stiffnut
14-1202	"	1 3/8" UNF	0.500"	0.290"	Stiffnut
14-1203	"	1 3/4" UNF	0.563"	0.388"	Stiffnut
14-1204	"	1 7/8" UNF	0.688"	0.275"	Stiffnut
14-1205	"	2" UNF	0.750"	0.455"	Stiffnut
14-1902	"	1 1/8" UNF	0.500"	0.361"	Eviloc
14-1903	"	1 1/4" UNF	0.563"	0.375"	Eviloc



CLASSIC BIKE SPARES

