

20-10262 C

Norton

REGD. TRADE MARK

SPARE PARTS LIST FOR 1961/62

**Models ES2, 50, 88, 99,
650 Std. & De Luxe**

With Supplementary List for
Models 88 ss, 99 ss and 650 ss (Pages 54 to 63)

PUBLICATION PS 214

Price 4s. 6d.

All prices in this list are subject to 10%
surcharge except where stated nett.



**CLASSIC
BIKE SPARES**
NORTON MOTORS LTD.
BRACEBRIDGE ST., BIRMINGHAM, 6, ENGLAND

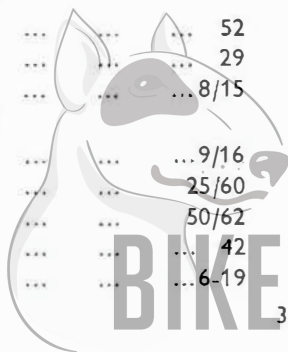
Phone Aston Cross 3711 (Private Branch Exchange)

Grams "Nortomo, Birmingham"



INDEX

	Page	Page
A		
Air cleaner	66	
Air lever	26	
Alternator	49	
Ammeter	50	
Axle sprocket	29	
B		
Battery	46	
Battery box and mounting	46	
Big end bearing	8/15	
Brake lever	25	
Brake pedal	40	
C		
Cable clip	53	
Camshaft bushes	11/16	
Camshaft, cam gears	9/16	
Carburettor	19/57	
Centre stand	43	
Chains	42	
Clutch	34/60	
Clutch lever	25	
Condenser	49	
Connecting rods	8/15	
Contact breaker	49	
Control cables	25	
Cowling (rear)	45	
Crankcase fittings	10/17	
Crankshaft	8/16	
Crash bars	68	
Crown and column	24	
Cylinder, cylinder head	6/14	
D		
Distributor	49	
Dualseat	47	
E		
Electrical equipment	48	
Engine	5/12	
Engine sprocket	42	
Exhaust pipe	22	
F		
Footchange	30	
Footrests	41	
Frames	42	
Front chaincase, inner and outer	40	
Front forks	22	
Front wheels	34	
G		
Gasket sets	52	
Gearbox	29	
Gudgeon pin	8/15	
H		
Half time pinion	9/16	
Handlebars and controls	25/60	
Headlamps	50/62	
Headclip	42	
Head steady stay	6-19	
I		
Horn	48	
J		
K		
Kickstarter	30	
Knee grips	27	
L		
M		
Main bearings	9/16	
Mudguards, front and rear	44	
N		
O		
Number plates	46	
Oil filter (crankcase)	11	
Oil pump	10/17	
Oil tanks and pipes	28	
Optional equipment	65	
P		
Paint	52	
Panniers	69	
Petrol tank	27	
Pillion footrests	41	
Pistons and rings	7/15	
Power unit fixing studs	37/39	
Pressure release valve	11/18	
Push rods	7/14	
R		
Rear chaincase	67	
Rear chainguard	40	
Rear suspension	43	
Rear wheels	35	
Rectifier	49	
Rockers and rocker covers	5/12	
Rotor	49/62	
Revolution counter and fittings	67	
S		
Shock absorbers	43	
Side panels	46	
Side prop stand	44	
Silencers	22	
Sparking plugs and covers	51	
Speedometers	48	
Stator	49/62	
Stop and tail lamp	51	
Swinging arm	43	
T		
Tail portions	45	
Tappets	7/15	
Timing cover	10/17	
Timing gear	9/16	
Tools	51/71	
Tool tray	46	
Twist grip	26	
V		
Valves, guides, springs, etc.	7/14	



CLASSIC
BIKE SPARES

INSTRUCTIONS FOR ORDERING SPARE PARTS

This Spare Parts List deals with replaceable parts for Models 88, 99, 650, ES2 and 50 of 1961/62 manufacture.

It is most essential that the Engine and Frame Number of the machine is stated. The Engine Number is to be found on the transmission side of the Crankcase directly below cylinder base. The frame number is stamped on the nearside of the frame gusset plate on all models. It is always advisable to order parts on a separate sheet, and not to include on the same sheet other matter of a different nature; this facilitates prompt despatch.

It is found in a number of instances that money orders and postal orders are sent in parcels containing patterns; this is inadvisable. We strongly recommend parts as patterns being despatched separately, and a covering letter sent containing the remittance for replacement parts.

RETURNING MACHINES FOR OVERHAULING

When returning machines or parts for repair or overhaul, these should be sent carriage paid, and with the sender's name and address in full, **securely** attached. It is also advisable to state on the tally that a letter has been sent respecting the parts, and giving the date. All easily detached fittings should be removed, such as Lamps, Horns, Tool Bags, Speedometers, etc.; these are liable to be lost or damaged in transit, and the Company cannot accept any responsibility for them.

ESTIMATES FOR REPAIRING MACHINES

We are always prepared to give approximate estimates for the cost of repairs; it is quite impossible to give a firm quotation. Additional parts may be found necessary during the process of repair, unforeseen when preparing an estimate. Should our estimate for repair not be accepted, a charge may be made in accordance with work entailed in dismantling and re-assembling. When we give an estimate for cost of repairs, and this is curtailed by the owner, we cannot accept any responsibility for the performance of the machine; it is always preferable to accept our estimate in full.

PURCHASE OF SPARE PARTS

Norton Dealers throughout the British Isles generally carry a very comprehensive stock of Norton spare parts and it is recommended that owners should obtain any spare parts required through them.

The name of the nearest Norton dealer will be supplied on request and if any difficulty whatever is experienced in obtaining spare parts through a Norton Dealer, if we are advised, we shall be very pleased to investigate the matter.

It is our desire that replacement parts are available to Norton owners with the least possible delay.

Please note we reserve the right to alter the prices in the list at any time without notice.



T/SIDE

D/SIDE

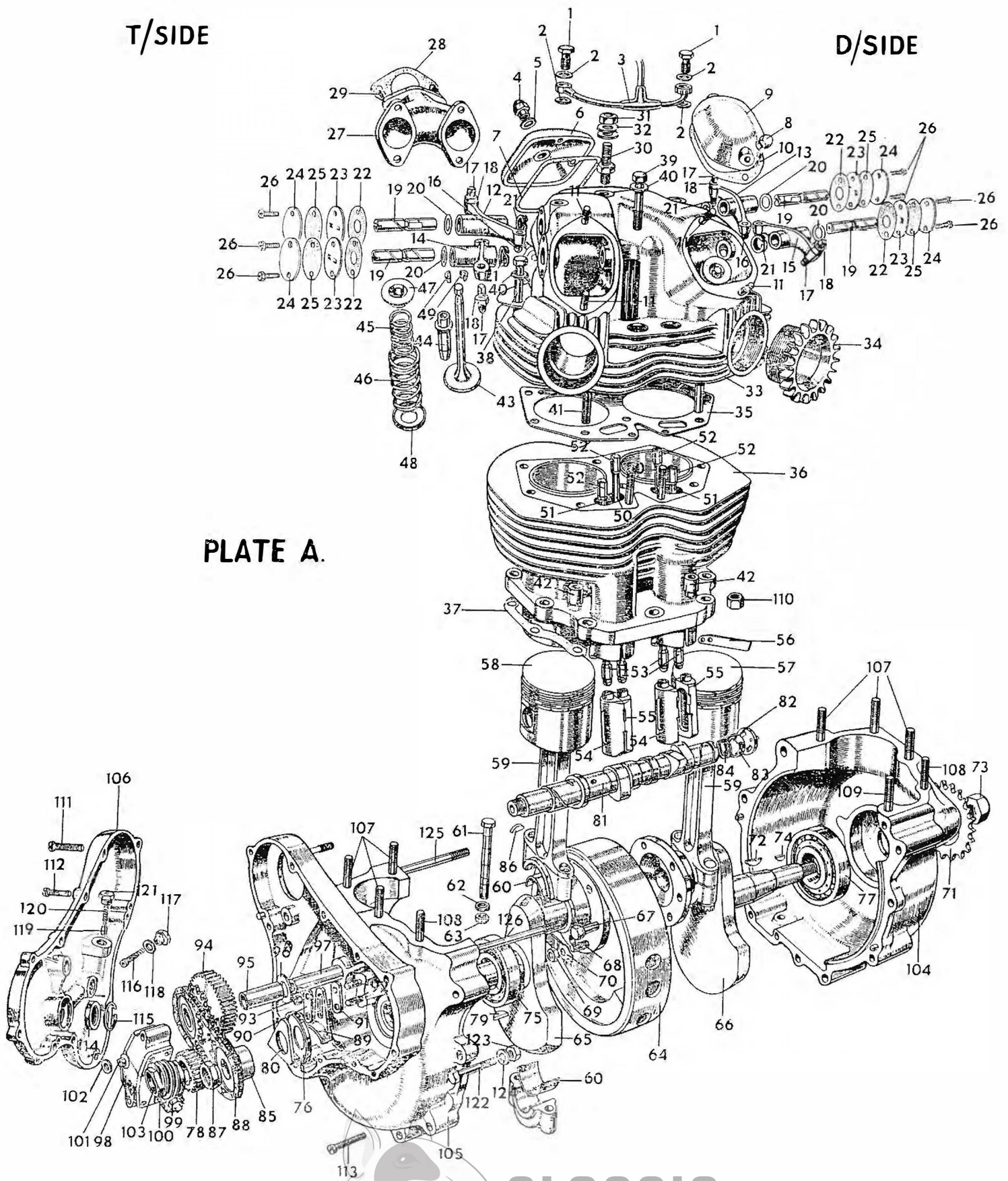


PLATE A.

CLASSIC
BIKE SPARES



PLATE No.	PART No.	DESCRIPTION	QTY.	MODEL	PRICE EACH
TWIN CYLINDER ENGINES					£ s. d.
Models 88, 99, 650 Std & D/Luxe					
ROCKER BOX FITTINGS					
A1	18101	Banjo bolt for oil feed pipe	2	All Twins	2 8
A2	T1084	Washer for banjo bolt	4	All Twins	3
A3	22168	Rocker feed pipe assembly, complete ...	1	All Twins	15 6
—	22166	Rocker feed pipe (to head)	1	All Twins	7 6
—	21591	Rocker feed pipe (from tank)	1	All Twins	6 6
—	22167	Rubber connection for feed pipe ...	1	All Twins	1 6
N.B.—22168 comprises 22166, 21591 and 22167 assembled.					
A4	T2162	Domed nut for rear cap	1	88, 99, Std and D/L	10
A4	E3218	Domed nut for breather and rear cap ...	1	650 Std and D/L	7
A5	T2082	Washer for domed nut and sleeve ...	1	All Twins	3
—	T1084	Washer for breather banjo	1	650 Std and D/L	2
A6	18094	Rocker box cap (rear)	1	All Twins	10 2
A7	T2084	Sealing washer for rear cap	1	All Twins	7
—	23427	Sleeve for rear cap	1	650 Std and D/L	1 0
—	23478	Banjo assembly for rocker breather ...	1	650 Std and D/L	6 0
—	23900	Rocker breather rubber pipe	1	650 Std and D/L	1 0
—	18033	Stud for rear cap	1	88, 99 Std and D/L	10
—	23426	Stud for rear cap	1	650 Std and D/L	1 3
—	13937	Dowel, for rear cap	1	All Twins	7
A8	T2085	Nut for rocker box front cap stud ...	4	All Twins	7
A9	18093	Rocker box cap (front)	2	All Twins	10 2
A10	T2088	Sealing washer for front cap	2	All Twins	7
A11	T2252	Stud for front cap	4	All Twins	7
OVERHEAD ROCKERS AND SHAFTS					
A12	18249	Rocker inlet, right hand	1	All Twins	1 3 8
A13	18250	Rocker inlet, left hand	1	All Twins	1 3 8
A14	18251	Rocker exhaust, right hand	1	All Twins	1 3 8
A15	18252	Rocker exhaust, left hand	1	All Twins	1 3 8
A16	T2063	Rocker ball end	4	All Twins	3 9
A17	T2074	Rocker adjuster	4	All Twins	2 4
A18	T232	Nut for adjuster	4	All Twins	7
A19	T2237	Rocker shaft	4	All Twins	13 6
A20	18102	Thrust washer for shaft	4	All Twins	7
A21	18103	Spring washer for shaft	4	All Twins	5
A22	T2083	Joint washer for shaft	4	All Twins	3
A23	T2238	Locking plate for shaft	4	All Twins	1 4
A24	T2239	Retaining plate for shaft	4	All Twins	1 4
A25	T2240	Joint washer for plate	4	All Twins	3
A26	T2256	Set pin for shaft retaining plate ...	8	All Twins	10
MANIFOLDS AND CARBURETTOR FIXINGS					
A27	22757	Inlet manifold	1	88, 99 Std and D/L	13 6
—	18380	Stud, manifold to head	4	88, 99 Std and D/L	7

PLATE No.	PART No.	DESCRIPTION	QTY.	MODEL	PRICE EACH
—	T2220	Nut for stud	4	88, 99 Std and D/L	£ s. d. 3
—	T2221	Washer for stud	4	88, 99 Std and D/L	3
A29	20344	Stud, carburetter to manifold	2	88, 99 Std and D/L	7
—	E3231	Nut for stud	2	88, 99 Std and D/L	5
—	11796	Washer for stud	2	88, 99 Std and D/L	3
—	21572	Manifold distance piece	2	88, 99 Std and D/L	3 4
—	23397	Inlet port sleeves	2	650 Std and D/L	1 6
—	23357	Inlet manifold	1	650 Std and D/L	1 7 6
—	23359	Sealing washer, manifold to head	1	650 Std and D/L	6
—	23412	Fixing screw, manifold to head	2	650 Std and D/L	1 0
—	20344	Stud, manifold to head	2	650 Std and D/L	7
—	E3231	Nut for stud	2	650 Std and D/L	5
—	11796	Washer for stud	2	650 Std and D/L	3
—	20344	Stud, carburetter to manifold	2	650 Std and D/L	7
—	E3231	Nut for stud	2	650 Std and D/L	5
—	11796	Washer for stud	2	650 Std and D/L	3
—	23358	Distance piece for carburetter	1	650 Std and D/L	1 0
HEAD STEADY ASSEMBLY					
—	18637	Head steady plate, 1961	1	88 Std and D/L	10 2
—	18637	Head steady plate, 1961/62	1	99 Std and D/L	10 2
—	23868	Head steady plate, 1962	1	88, 650 Std and D/L	10 6
A30	18032	Stud (in head) for steady plate	1	All Twins	2 0
A31	E3224	Nut for stud	1	All Twins	5
A32	E5376	Washer for stud	1	All Twins	3
—	E3798	Steady plate bolt (to frame)	2	All Twins	5
—	11796	Washer for bolt	2	All Twins	3
—	18202	Washer for bolt	2	All Twins	3
—	E3223	Nut for bolt	2	All Twins	5
CYLINDER HEAD, BARREL AND FITTINGS					
A33	R12-2/136	Cylinder head c/with valve guides	1	88, 99 Std and D/L	18 18 0
A33	S650/136	Cylinder head c/with valve guides	1	650 Std and D/L	19 0 0
A34	18092	Finned locking nut for exhaust pipe	2	All Twins	8 10
—	T2166	Washer, C. and A. for locking nut	2	All Twins	5
A35	T2141	Gasket, cylinder head to barrel	1	All Twins	6 8
A36	20712	Cylinder barrel	1	88 Std and D/L	10 2 8
A36	22709	Cylinder barrel	1	99 Std and D/L	10 6 0
A36	23263	Cylinder barrel	1	650 Std and D/L	10 10 0
A37	T2093	Cylinder base washer	1	All Twins	6
A38	T2096	Cylinder head bolt (long)	4	All Twins	1 4
A39	T2097	Cylinder head bolt (short)	1	All Twins	1 2
A40	E5376	Washer for cylinder head bolts	4	All Twins	3
A41	18756	Stud, cylinder head to barrel	3	All Twins	7
A42	T2034	Sleeve nut for cylinder head stud (front)	2	All Twins	1 9
—	10637	Nut for cylinder head stud (rear)	1	All Twins	1 5
—	T2161	Cylinder head fixing stud	2	All Twins	1 4
—	T2017	Nut, $\frac{5}{16}$ " for cylinder head to barrel stud	2	All Twins	7

PLATE No.	PART No.	DESCRIPTION	QTY.	MODEL	PRICE EACH
VALVES, GUIDES, SPRINGS, ETC.					£ s. d.
—	17221	Valve, inlet	2	All Twins	1 0 8
A43	T2204	Valve, exhaust	2	All Twins	16 2
A44	T2011	Valve guide (inlet or exhaust)	4	All Twins	4 8
A45	19302	Valve spring (inner)	4	88, 99 Std and D/L	10
A46	19303	Valve spring (outer)	4	88, 99 Std and D/L	1 4
A45	22839	Valve spring (inner)	4	650 Std and D/L	2 6
A46	22838	Valve spring (outer)	4	650 Std and D/L	3 0
—	22841	Packing shim for valve spring (.036") ...	A/R	88, 99 Std and D/L	3
—	22841A	Packing shim for valve spring (.024") ...	A/R	88, 99 Std and D/L	3
—	16339	Heat insulating washer	4	88, 99 Std and D/L	11
—	23392	Heat insulating washer	4	650 Std and D/L	11
A47	T186	Valve spring top cup	4	All Twins	4 0
A48	T2073	Valve spring bottom collar	4	All Twins	1 4
A49	T187	Valve collett (2 halves=1 collett) ...	4	All Twins	1 4
PUSH RODS					
A50	M12/82 IN	Push rod complete, inlet	2	88 Std and D/L	12 2
A50	M14/82 IN	Push rod complete, inlet	2	99 Std and D/L	12 2
A50	S650/82 IN	Push rod complete, inlet	2	650 Std and D/L	15 8
A51	M12/82 EX	Push rod complete, exhaust	2	88 Std and D/L	12 2
A51	M14/82 EX	Push rod complete, exhaust	2	99 Std and D/L	12 2
A51	S650/82 EX	Push rod complete, exhaust	2	650 Std and D/L	15 8
—	20130	Push rod tube only, inlet	2	88 Std and D/L	4 8
—	20132	Push rod tube only, inlet	2	99 Std and D/L	4 8
—	23352	Push rod tube only, inlet	2	650 Std and D/L	7 6
—	20131	Push rod tube only, exhaust	2	88 Std and D/L	4 8
—	20133	Push rod tube only, exhaust	2	99 Std and D/L	4 8
—	23354	Push rod tube only, exhaust	2	650 Std and D/L	7 6
A52	T2064	Push rod top	4	All Twins	4 0
A53	T2182	Push rod bottom	4	All Twins	3 4
TAPPETS					
A54	22772	Tappet (right hand)	2	All Twins	11 6
A55	22771	Tappet (left hand)	2	All Twins	11 6
A56	T2142	Tappet location plate	2	All Twins	6 8
—	T2143	Screw for location plate	4	All Twins	3
PISTONS AND RINGS					
A57	23179	Piston c/with rings and pin, L/H (8.5-1)	1	88 Std and D/L	3 8 3
A58	23180	Piston c/with rings and pin, R/H (8.5-1)	1	88 Std and D/L	3 8 3
A57	23182	Piston c/with rings and pin, L/H (8.25-1)	1	99 Std and D/L	2 15 9
A58	23183	Piston c/with rings and pin, R/H (8.25-1)	1	99 Std and D/L	2 15 9
A57	24022	Piston c/with rings and pin, L/H (8.9-1)	1	650 Std. and D/L	2 15 0
A58	24023	Piston c/with rings and pin, R/H (8.9-1)	1	650 Std and D/L	2 15 0
—	23181	Piston ring (chrome) comp. top	2	88 Std and D/L	7 0
—	22797	Piston ring comp.	2	88 Std and D/L	3 9
—	22509	Piston ring scraper	2	88 Std and D/L	5 2
—	23184	Piston ring (chrome) comp. top	2	99 Std and D/L	7 0

PLATE No.	PART No.	DESCRIPTION	QTY.	MODEL	PRICE EACH
—	21579	Piston ring comp.	2	99 Std and D/L	£ s. d. 3 9
—	21578	Piston ring scraper	2	99 Std and D/L	5 2
—	23272	Piston ring (chrome) comp. top	2	650 Std and D/L	5 0
—	23273	Piston ring comp.	2	650 Std and D/L	3 9
—	24024	Piston ring (scraper)	2	650 Std and D/L	5 6
—	21580	Gudgeon pin	2	88, 99 Std and D/L	9 2
—	22798	Circlip for pin	4	88, 99 Std and D/L	4
—	23275	Gudgeon pin	2	650 Std and D/L	9 6
—	23276	Circlip for pin	4	650 Std and D/L	4
N.B.—Prices of oversize pistons are 5/- more than standard sizes. Pistons and rings are available +.010", +.020", +.030" and +.040" o/size.					
CONNECTING RODS AND BIG END BEARINGS					
A59	50023	Connecting rod c/with small end bush, big end bearing and bolts	2	88, 99 Std and D/L	3 14 3
—	T2160	Small end bush	2	88, 99 Std and D/L	4 8
A60	17828	Big end bearing (2 halves=1 bearing)	2	88, 99 Std and D/L (two halves)	6 9
A61	T2150	Big end cap bolt	4	88, 99 Std and D/L	3 1
A62	T2152	Washer for bolt	4	88, 99 Std and D/L	3
A63	17827	Nut for cap bolt	4	88, 99 Std and D/L	1 4
A59	23297	Connecting rod c/with cap, big end bearing and bolts	2	650 Std and D/L	3 15 0
A60	23255	Big end bearing (2 halves=1 bearing)	2	650 Std and D/L (two halves)	7 0
A61	23254	Big end cap bolt	4	650 Std and D/L	4 0
A63	23253	Nut for cap bolt	4	650 Std and D/L	1 4
CRANKSHAFT ASSEMBLY AND FITTINGS					
—	88SS/24	Flywheel c/with shafts, crankpin bearing and connecting rods	1	88 Std and D/L	28 10 7
—	N14/24	Flywheel c/with shafts, crankpin bearing and connecting rods	1	99 Std and D/L	28 12 4
—	S650/24	Flywheel c/with shafts, crankpin bearing and connecting rods	1	650 Std and D/L	29 10 0
A64	23820	Flywheel	1	88 Std and D/L	4 14 7
A64	18744	Flywheel	1	99 Std and D/L	4 14 7
A64	23315	Flywheel	1	650 Std and D/L	4 15 6
A65	23636	Crankshaft, timing side	1	88 Std and D/L	7 1 10
A65	18746	Crankshaft, timing side	1	99 Std and D/L	7 1 10
A65	23262	Crankshaft, timing side	1	650 Std and D/L	7 2 6
A66	23637	Crankshaft, driving side	1	88 Std and D/L	7 1 10
A66	20680	Crankshaft, driving side	1	99 Std and D/L	7 1 10
A66	23261	Crankshaft, driving side	1	650 Std and D/L	7 2 6
—	E4591	Plug for T/S crankshaft	1	All Twins	10
A67	T2033A	Flywheel and crankshaft bolt	2	All Twins	2 8
—	T2033	Flywheel and crankshaft bolt	2	All Twins	2 8
A68	T2086	Flywheel and crankshaft stud	2	All Twins	2 0

PLATE No.	PART No.	DESCRIPTION	QTY.	MODEL	PRICE EACH
					£ s. d.
A69	T2031	Nut for flywheel and crankshaft bolt or stud	8	88, 99 Std and D/L	2 4
A69	T2031	Nut for flywheel and crankshaft bolt or stud	6	650 Std and D/L	2 4
—	23280	Nut for flywheel and crankshaft bolt or stud	2	650 Std and D/L	2 4
—	T2105	Dowel for flywheel	1	All Twins	1 4
A70	T2032	Retaining plate for dowel	1	All Twins	11
—	T2196A	Mainshaft packing washer	A/R	All Twins	5
—	T2196B	Mainshaft packing washer	A/R	All Twins	5
N.B.—We recommend flywheels to be returned to the works for the fitting of new shafts.					
ENGINE SPROCKET AND ROTOR RETAINING NUT					
A71	T2180C	Engine sprocket, 19T	1	88 Std and D/L	1 3 8
A71	T2180D	Engine sprocket, 20T	1	99 Std and D/L	1 3 8
A71	T2180E	Engine sprocket, 21T	1	650 Std and D/L	1 3 8
A72	E3682	Key for sprocket	1	All Twins	3
N.B.—Engine sprockets are available with teeth Nos. 17-23 inclusive. (Please state number of teeth required).					
A73	465909	Retaining nut for rotor (on mainshaft) ...	1	All Twins	1 6
—	19147	Washer for rotor	1	All Twins	3
A74	20948	Key for rotor	1	All Twins	3
N.B.—For other alternator parts see electrical equipment, page 49.					
MAIN BEARINGS					
A75	17822	Mainshaft bearing, timing side	1	All Twins	1 8 9
A76	T2008	Sealing washer for timing side bearing ...	1	All Twins	1 4
A77	17824	Mainshaft roller bearing, driving side ...	1	All Twins	2 2 9
—	T2187	Driving side shaft oil seal	1	All Twins	5 1
TIMING GEAR					
A78	T2035	Half time pinion	1	All Twins	13 6
A79	E3683	Key for pinion	1	All Twins	3
A80	T2007	Backing plate for pinion	1	All Twins	4 0
A81	21225	Camshaft	1	88, 99 Std and D/L	5 8 1
A81	22729	Camshaft	1	650 Std and D/L	5 8 1
A82	T2078	Stationary plate for camshaft breather ...	1	All Twins	2 8
A83	T2075	Rotary plate for breather	1	All Twins	2 8
A84	T2108	Spring for breather	1	All Twins	3
A85	20829	Camshaft sprocket	1	All Twins	1 5 4
A86	E3683	Key for sprocket	1	All Twins	3
A87	T2046	Nut for sprocket	1	All Twins	1 9
A88	17806	Driving chain for camshaft (38 link endless)	1	All Twins Retail Net	8 5
A89	T2217	Chain tension slipper	1	All Twins	3 4
A90	T2218	Plate for chain tensioner (thick)	1	All Twins	7
A91	T2218A	Plate for chain tensioner (thin)	1	All Twins	6

PLATE No.	PART No.	DESCRIPTION	QTY.	MODEL	PRICE EACH
A92	T247	Stud for chain tensioner	2	All Twins	£ s. d. 7
A93	E3231	Nut for tensioner stud	2	All Twins	5
—	18202	Fan disc washer for stud, $\frac{5}{16}$ "	2	All Twins	3
A94	50008	Intermediate gear with sprockets	1	All Twins	3 14 3
A95	T2026	Bush for intermediate gear	1	All Twins	6 0
A96	T2080	Washer for intermediate gear	1	All Twins	3
A97	T2021	Spindle for intermediate gear	1	All Twins	5 4
—	17823	Circlip for spindle	1	All Twins	3
DISTRIBUTOR DRIVE PARTS					
—	20688	Distributor sprocket	1	All Twins	17 3
—	20794	Fixing peg for sprocket	1	All Twins	10
—	20938	Collar for sprocket	1	All Twins	1 4
—	21097	Thrust washer for sprocket	1	All Twins <i>Retail Net</i>	1 3
—	18257	Distributor drive chain	1	All Twins <i>Retail Net</i>	9 4
N.B.—For distributor assembly see electrical equipment, page 49.					
OIL PUMP AND DRIVE PARTS					
A98	15522	Oil pump, complete	1	88, 99 Std and D/L	4 1 1
A98	23111	Oil pump, complete	1	650 Std and D/L	4 1 1
A99	15511A	Nut for oil pump spindle	1	All Twins	6
A100	T2077	Worm gear wheel (on pump)	1	All Twins	8 10
—	17697	Key for gear wheel	1	All Twins	3
A101	15515	Feed bush for pump	1	All Twins	10
—	21146	Packing shim for feed bush	1	All Twins	2
A102	T272	Sealing washer for feed bush	1	All Twins	5
A103	T2076	Pump driving worm (on mainshaft)	1	All Twins	10 2
—	E4440	Stud, oil pump to crankcase	2	All Twins	11
—	E3231	Nut for stud	2	All Twins	5
—	E4590	Grub screw for oil stop	1	All Twins	7
CRANKCASE, TIMING COVER AND FITTINGS					
—	21013	Crankcase c/with timing cover and bushes	1	All Twins	18 18 4
A104	21010	Crankcase driving side (only) (bushed) ...	1	All Twins	6 15 2
A105	21009	Crankcase timing side (only) (bushed) ...	1	All Twins	9 12 6
A106	20950	Timing cover (only)	1	All Twins	2 10 7
N.B.—In the event of a replacement half crankcase being required, it will be necessary to return the sound half of the crankcase also the timing cover to the works for matching.					
—	T2236	Paper washer for timing cover	1	All Twins	7
—	19228	Badge for timing cover	1	All Twins	4 0
A107	T2018	Crankcase cylinder base stud, $\frac{3}{8}$ " dia. ...	6	All Twins	1 4
A108	T2209	Crankcase cylinder base stud (stepped), $\frac{5}{16}$ " dia.	2	All Twins	1 2

PLATE No.	FART No.	DESCRIPTION	QTY.	MODEL	PRICE EACH
					£ s. d.
A109	18943	Crankcase cylinder base stud (front (centre), $\frac{3}{8}$ " dia.)	1	All Twins	1 4
A110	T2016	Nut, $\frac{3}{8}$ " dia., for crankcase cyl. base stud	7	All Twins	7
—	T2210	Nut, $\frac{5}{16}$ " dia., for crankcase cyl. base stud	2	All Twins	7
—	T2211	Washer for crankcase cylinder base stud	2	All Twins	3
A111	10940	Timing cover screw (long)	6	All Twins	7
A112	E6980	Timing cover screw (short)	6	All Twins	6
—	20621A	Fibre washer, for timing cover screws ...	12	All Twins	2
A113	10940	Screw, timing to driving side crankcase sump	2	All Twins	7
—	11775	Washer, for sump screw (fibre)	2	All Twins	2
—	T2036	Camshaft bush (timing side)	1	All Twins	6 8
—	T2037	Camshaft bush (driving side)	1	All Twins	6 8
A114	T2124	Mainshaft oil seal, in timing cover ...	1	All Twins	1 4
A115	17841	Circlip for mainshaft oil seal	1	All Twins	7
—	16945	Crankcase oil sump filter body	1	All Twins	10 2
—	16949	C. and A. washer for filter body	1	All Twins	7
—	16946	Filter body gauze	1	All Twins	3 4
—	16947	Retaining plate for filter gauze	1	All Twins	7
—	16948	Circlip for retaining plate	1	All Twins	7
—	15399	Name plate for drive side crankcase ...	1	All Twins	6
—	17842	Screws for name plate	2	All Twins	1
—	19382A	Breather pipe with flange for crankcase...	1	All Twins	2 8
—	22240	Sealing washer for breather pipe	1	All Twins	3
—	T2213	Set pin, breather pipe to crankcase ...	1	All Twins	6
—	19383	Rubber tube for breather	1	88, 99 Std and D/L	1 5
—	23421	Rubber tube for breather	1	650 Std and D/L	1 6
—	E4591	Oilway plug in timing cover	1	All Twins	7
A116	20280	Filter assembly, oil pressure release ...	1	All Twins	2 11
A117	20287	Filter plug	1	All Twins	2 11
A118	20288	Washer for filter plug	1	All Twins	3
A119	20285	Plunger for oil pressure release	1	All Twins	1 9
A120	20286	Plunger spring	1	All Twins	3
A121	20284	Plunger spring plug	1	All Twins	2 6
STATOR HOUSING					
—	20885	Stator housing	1	All Twins	17 3
—	20693	Fixing screw for stator housing	3	All Twins	1 5
—	21411	Washer for fixing screw	3	All Twins	3
N.B.—For alternator assembly see electrical equipment, page 49.					
DISTRIBUTOR HOUSING					
—	20684	Distributor Housing	1	All Twins	12 4
—	21027	Joint washer for housing	1	All Twins	3
—	T2256	Distributor flange plate pin	1	All Twins	1 2
—	T2221	Washer for pin	1	All Twins	3
—	420151	Distributor clamping plate	1	All Twins	3 6
—	415087	Distributor clamping plate pinch bolt c/with nut and washer	1	All Twins	1 3
—	T2245	Distributor housing to crankcase stud (bottom)	1	All Twins	7

PLATE No.	PART No.	DESCRIPTION	QTY.	MODEL	PRICE EACH
—	E3231	Nut for stud	1	All Twins	£ s. d. 5
—	11796	Washer for stud	1	All Twins	3
—	21028	Distributor housing to crankcase stud ...	2	All Twins	1 6
—	21030	Nut for stud	2	All Twins	1 6
—	21029	Washer for stud	2	All Twins	3
N.B.—For distributor assembly see electrical equipment, page 49.					
CRANKCASE AND ENGINE PLATE BOLTS, NUTS AND WASHERS					
A122	13870	Crankcase bolt (short)	1	All Twins	10
A123	E3223	Nut for bolt	1	All Twins	5
A124	E5456	Washer for bolt	1	All Twins	3
A125	T2013	Crankcase top stud (rear)	1	All Twins	1 9
—	E3224A	Nut for stud	2	All Twins	5
—	E5376	Washer for stud	2	All Twins	3
A126	19077	Crankcase top stud (front)	1	All Twins	1 5
—	E3229	Nut for stud	2	All Twins	5
—	T2221	Washer for stud	2	All Twins	3
—	E3214	Crankcase stud (top)	1	All Twins	1 9
—	E3231	Nut for stud	2	All Twins	5
N.B.—For further crankcase and engine plate bolts, see pages 11 and 17.					
SINGLE CYLINDER ENGINES, Models ES2 & 50 ROCKER BOX AND FITTINGS					
B1	13805	Banjo bolt for oil feed pipe	1	All Singles	3 4
B2	13786	Washer for banjo bolt	2	All Singles	3
—	22351	Rocker feed pipe assembly, complete ...	1	All Singles	6 8
B3	23056	Rocker box with cover	1	All Singles	4 1 1
B4	19805	Inspection cover for rocker box	1	All Singles	4 0
B5	19824	Sealing washer for cover	1	All Singles	7
B6	23057	Rocker shaft	2	All Singles	13 6
B6A	23054	Stud for rocker box cover (in rocker shaft)	2	All Singles	11
B7	23055	Nut for stud	2	All Singles	1 8
—	17698	Fan disc washer for stud	2	All Singles	3
B8	20044	Sealing washer for rocker box to head ...	1	All Singles	10
—	19843	Bolt for rocker box (long)	5	All Singles	2 0
—	T2211	Washer for bolt	5	All Singles	2
B9	16555	Bolt for rocker box (short)	2	All Singles	10
B10	16556	Washer for bolt	2	All Singles	5
B11	21973	Bolt for head steady stay	2	All Singles	1 6
B12	11796	Washer for bolt	2	All Singles	3
—	E5456	Packing washer for head steady plate ...	2	All Singles	3
—	50003	Rocker (inlet) with bushes	1	All Singles	1 13 9
B13	50004	Rocker (exhaust) with bushes	1	All Singles	1 13 9
B14	13821	Ball end for rocker	2	All Singles	3 8
B15	10394	Pad for rocker	2	All Singles	4 8

T/SIDE

D/SIDE

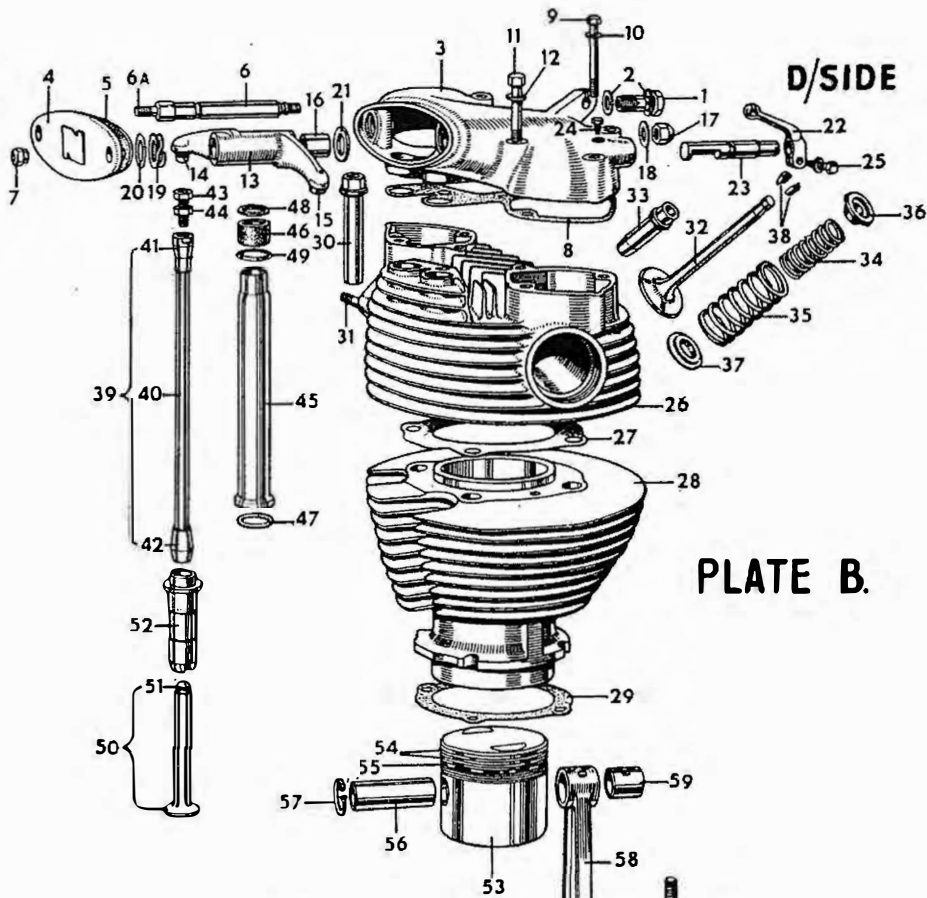
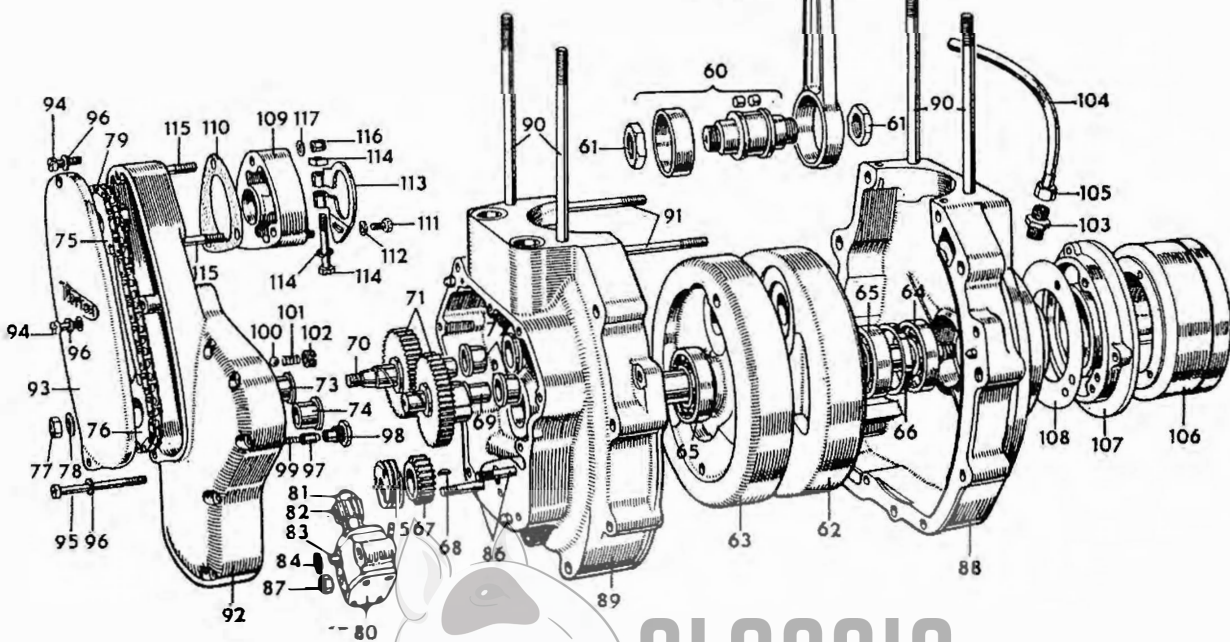


PLATE B.



CLASSIC
BIKE SPARES

PLATE No.	PART No.	DESCRIPTION	QTY.	MODEL	PRICE EACH
B16	13804	Bush for rocker	4	All Singles	£ 4 8
B17	13806	Nut for rocker shaft	2	All Singles	7
B18	13820	Washer for nut	2	All Singles	3
B19	13818	Spring washer for shaft	2	All Singles	5
B20	13794	Washer, large, for shaft	2	All Singles	7
B21	13819	Shim for rocker shaft	2	All Singles	3
EXHAUST VALVE LIFTER PARTS					
B22	18175	Lever for exhaust valve lifter	1	All Singles	6 8
B23	13862	Exhaust valve lifter shaft	1	All Singles	6 0
B24	10959	Retaining screw for shaft	1	All Singles	6
—	17707	Washer for screw	1	All Singles	2
B25	E3798	Pinch bolt for valve lifter lever	1	All Singles	7
—	E3881	Return spring for lever (Volute)	1	All Singles	1 9
CYLINDER HEAD AND BARREL					
B26	P4/136	Cylinder head with valve guides	1	ES2	11 16 6
B26	P13/136	Cylinder head with valve guides	1	50	11 13 1
B27	19705	Gasket, cylinder head to barrel	1	ES2	2 4
B27	18799	Gasket, cylinder head to barrel	1	50	2 4
B28	19703	Cylinder barrel	1	ES2	5 4 8
B28	19832	Cylinder barrel	1	50	5 1 5
B29	13824	Washer, cyl. base to crankcase (paper)	1	All Singles	3
B30	C126	Sleeve nut for cylinder head	4	All Singles	3 4
—	C170	Washer for nut	4	All Singles	5
B31	T247	Stud, in head, for carburetter fixing	2	All Singles	7
—	E3231	Nut for stud	2	All Singles	5
—	11796	Washer for stud	2	All Singles	3
VALVES, GUIDES, SPRINGS, ETC.					
B32	E6472	Valve (inlet or exhaust)	2	ES2	16 2
B32	18734	Valve (inlet or exhaust)	2	50	16 2
B33	20050	Valve guide (inlet or exhaust)	2	All Singles	4 8
—	20594	Circlip for guide	2	All Singles	3
B34	21613	Valve spring (inner)	2	All Singles	1 4
B35	21612	Valve spring (outer)	2	All Singles	2 8
B36	20178	Valve spring top cup	2	All Singles	6 0
B37	20179	Valve spring bottom collar	2	All Singles	1 6
B38	E1930	Valve cotter (2 halves = 1 cotter)	2	All Singles	1 4
PUSH RODS AND COVERS					
B39	M4/82	Push rod, complete	2	ES2	12 10
B39	M13/82	Push rod, complete	2	50	12 10
B40	18725	Push rod tube (only)	2	ES2	4 8
B40	18814	Push rod tube (only)	2	50	4 8
B41	13800	Push rod top	2	All Singles	2 8

PLATE No.	PART No.	DESCRIPTION	QTY.	MODEL	PRICE EACH
					£ s. d.
B42	13798	Push rod bottom	2	All Singles	4 0
B43	13801	Adjuster for push rod	2	All Singles	4 0
B44	10415	Nut for adjuster	2	All Singles	7
B45	19838	Push rod cover	2	ES2	9 6
B45	19837	Push rod cover	2	50	9 6
B46	20049	Sealing ring (top) for push rod cover ...	2	All Singles	7
B47	20048	Sealing ring (bottom) for push rod cover	2	All Singles	7
B48	20047	Washer (plain) for cover	A/R	All Singles	2
—	20046	Washer (plain) for cover	A/R	All Singles	7
B49	20045	Washer (dished) for cover	2	All Singles	3
TAPPETS					
B50	50007	Tappet, complete	2	All Singles	16 10
B51	13790	Ball end for tappet	2	All Singles	4 8
B52	19800	Tappet guide	2	All Singles	16 10
—	13830	Location peg for tappet guide	2	All Singles	3
PISTON ASSEMBLIES					
B53	23175	Piston, complete with rings and pin (7.1-1)	1	ES2	2 10 7
B53	23177	Piston, complete with rings and pin (7.3-1)	1	50	2 12 10
B54	23176	Piston ring (chrome) comp. top	1	ES2	7 0
B54	23178	Piston ring (chrome) comp. top	1	50	7 0
—	22495	Piston ring compression (middle)	1	ES2	2 11
—	22494	Piston ring compression (middle)	1	50	2 8
B55	22497	Piston ring scraper	1	ES2	3 11
B55	22496	Piston ring scraper	1	50	3 8
B56	22499	Gudgeon pin	1	ES2	8 5
B56	22498	Gudgeon pin	1	50	7 6
B57	22549	Circlip for pin	2	All Singles	10
<p>N.B.—Prices of oversize pistons are 5/- more than standard sizes. Pistons and rings are available +.010", +.020", +.030" and +.040" o/size.</p> <p>When ordering, clearly state model and whether standard, or oversize. Pistons and rings are required.</p>					
CONNECTING ROD BIG END BEARING AND BUSH					
B58	50030	Connecting rod c/with small end bush ...	1	ES2	2 19 5
B58	50208	Connecting rod c/with small end bush ...	1	50	2 19 5
B59	E4102	Small end bush	1	All Singles	6 8
B60	22095	Crankpin bearing c/with nuts	1	ES2	3 15 7
B60	22096	Crankpin bearing c/with nuts	1	50	3 15 7
B61	E6276B	Nut for crankpin bearing	2	ES2	4 7
B61	18846	Nut for crankpin bearing	2	50	4 7
—	E3821	Locking screw for crankpin nut	2	All Singles	3
<p>N.B.—Crankpin spares cannot be supplied separately, each outer race has its individual pin.</p>					

PLATE No.	PART No.	DESCRIPTION	QTY.	MODEL	PRICE EACH
					£ s. d.
FLYWHEELS AND CRANKSHAFT ASSEMBLIES					
—	P4/24	Flywheels c/with shafts, crankpin, bearing and connecting rod	1	ES2	15 1 4
—	P13/24	Flywheels c/with shafts, crankpin, bearing and connecting rod	1	50	15 1 4
B62	20781	Flywheel driving side with shaft	1	ES2	4 11 11
B62	20780	Flywheel driving side with shaft	1	50	4 11 11
B63	50006	Flywheel timing side with shaft	1	ES2	4 11 11
B63	50206	Flywheel timing side with shaft	1	50	4 11 11
—	20777	Flywheel shaft, driving side	1	All Singles	1 17 2
—	13779	Flywheel shaft, timing side	1	All Singles	1 13 9
—	E3684	Key for shafts, timing and driving side ...	2	All Singles	3
N.B.—We recommend flywheels to be returned to the works for the fitting of new shafts.					
—	E2717A	Packing washer for mainshaft, .005" ...	A/R	All Singles	5
—	E2717	Packing washer for mainshaft, .010" ...	A/R	All Singles	5
MAIN BEARINGS					
B64	17704	Mainshaft bearing, driving side (ball) ...	1	All Singles	Nett 19 6
B65	17702	Mainshaft bearing, driving and timing side (roller)	2	All Singles	Nett 1 13 0
B66	12794	Distance piece for driving side bearing ...	1	All Singles	2 8
—	22680	Mainshaft bearing crankcase washer, driving side	1	All Singles	7
—	22474	Oil seal for driving side main bearing ...	1	All Singles	3 8
—	11770	Packing washer for main bearing ...	A/R	All Singles	7
TIMING GEAR AND BUSHES					
B67	13858	Half time pinion	1	All Singles	13 6
B68	E3683	Key for pinion	1	All Singles	3
—	M3/60	Cam wheel, complete (exhaust)	1	ES2	3 3 6
—	M13/60	Cam wheel, complete (exhaust)	1	50	3 3 6
—	M3/61	Cam wheel, complete (inlet)	1	All Singles	3 7 7
B69	19702	Camshaft only (exhaust)	1	ES2	1 11 8
B69	20053	Camshaft only (exhaust)	1	50	1 11 8
B70	19701	Camshaft only (inlet)	1	All Singles	1 15 8
B71	18172	Cam gear wheel (inlet or exhaust)	2	All Singles	1 11 8
—	E3683	Key for cam gear wheel	2	All Singles	3
—	11774A	Washer, .003", for cam spindle	A/R	All Singles	2
—	11774B	Washer, .005", for cam spindle	A/R	All Singles	2
—	17774C	Washer, .007", for cam spindle	A/R	All Singles	2
—	11774D	Washer, .010", for cam spindle	A/R	All Singles	2
B72	13860	Cam bush in crankcase (inlet or exhaust)	2	All Singles	6 0
B73	13788	Cam bush in timing cover (inlet)	1	All Singles	6 0
B74	10657	Cam bush in timing cover (exhaust)	1	All Singles	6 0



PLATE No.	PART No.	DESCRIPTION	QTY.	MODEL	PRICE EACH
					£ s. d.
		DISTRIBUTOR DRIVE PARTS			
B75	21653	Sprocket for distributor drive	1	All Singles	17 3
—	21654	Fixing pin for sprocket	1	All Singles	9
—	ES379	Washer for pin	1	All Singles	3
B76	13780	Sprocket for distributor drive (on inlet camshaft)	1	All Singles	11 6
—	E3681	Key for sprocket	1	All Singles	3
B77	E3224	Nut for sprocket	1	All Singles	5
B78	E5376	Washer for sprocket	1	All Singles	3
B79	17699	Chain (44 link) for distributor drive ...	1	All Singles	9 9
				Nett	
		OIL PUMP AND OIL PUMP DRIVE			
B80	15521	Oil pump, complete	1	All Singles	4 1 1
B81	15511A	Nut for oil pump spindle	1	All Singles	6
B82	10101A	Worm gear wheel for pump	1	All Singles	8 10
—	17697	Key for gear wheel	1	All Singles	3
B83	15515	Feed bush for pump	1	All Singles	10
B84	E6283	Sealing washer for feed bush	1	All Singles	3
B85	13778	Pump driving worm on engine mainshaft	1	All Singles	10 2
B86	E4440	Stud, oil pump to crankcase	2	All Singles	11
B87	E3231	Nut, for oil pump to crankcase stud ...	2	All Singles	5
—	E4590	Grub screw for oil stop	1	All Singles	7
		CRANKCASE AND TIMING COVER			
—	22041	Crankcase c/with timing cover (bushed)	1	All Singles	13 10 3
B88	22043	Crankcase (driving side) (bushed) ...	1	All Singles	4 1 1
B89	50254	Crankcase (timing side) (bushed) ...	1	All Singles	7 1 10
		N.B.—When ordering replacement half crankcases it will be necessary to return the sound half of the crankcase, also the timing cover to the works for matching.			
B90	19841	Stud, cylinder barrel to crankcase ...	4	ES2	1 9
B90	19840	Stud, cylinder barrel to crankcase ...	4	50	1 9
B91	20056	Crankcase top stud	2	All Singles	1 2
—	E3223	Nut for top stud	2	All Singles	5
—	T2012	Crankcase bottom stud	1	All Singles	1 9
—	E3224A	Nut for bottom stud	2	All Singles	5
—	E5376	Washer for stud	2	All Singles	3
—	13870	Bolt (short) for crankcase	3	All Singles	10
—	E3223	Nut for bolt	3	All Singles	5
—	E5456	Washer for bolt	5	All Singles	3
—	11001	Crankcase panel screw	1	All Singles	7
—	11775	Washer for screw	1	All Singles	2
—	13765	Drain plug for crankcase	1	All Singles	1 4
—	13833	Washer for plug	1	All Singles	3
B92	22008	Crankcase timing cover (bushed) ...	1	All Singles	2 14 1
—	10940	Screw for timing cover (top short) ...	3	All Singles	7

PLATE No.	PART No.	DESCRIPTION	QTY.	MODEL	PRICE EACH
—	11001	Screw for timing cover (bottom long) ...	3	All Singles	£ s. d. 7
—	13996	Screw for timing cover (hex. head) ...	2	All Singles	6
B93	18195	Distributor chain cover	1	All Singles	12 2
B94	E4506	Screw (short) for distributor chain cover	2	All Singles	6
B95	13868	Screw (long) for distributor chain cover	1	All Singles	11
B96	11775	Fibre washer for distributor chain cover screws	8	All Singles	2
B97	13792	Oil feed jet, timing cover to mainshaft ...	1	All Singles	3 4
B98	13791	Bush, for oil feed jet	1	All Singles	3 4
B99	10617	Spring, for oil feed jet	1	All Singles	3
B100	17706	Pressure release ball, $\frac{3}{8}$ " in timing cover	1	All Singles	3
B101	10260	Spring for pressure release ball	1	All Singles	2
B102	13789	Plug, for timing cover pressure release ...	1	All Singles	10
—	20584	Retaining cup for timing cover oil valve	1	All Singles	9
—	10260	Spring for timing cover oil valve	1	All Singles	3
—	18548	Ball, $\frac{7}{32}$ " dia., for timing cover oil valve...	1	All Singles	3
—	16590A	Oil drain pipe for timing cover	1	All Singles	1 9
—	10995	Nut, for oil drain pipe	1	All Singles	5
—	10263	Union, for timing cover oil drain pipe ...	1	All Singles	2 0
B103	19245	Crankcase breather	1	All Singles	2 8
B104	17618	Crankcase breather pipe with nipple ...	1	All Singles	1 9
B105	10992	Nut, for crankcase breather pipe	1	All Singles	8
STATOR HOUSING AND CHAINCASE SPIGOT					
B106	20885	Stator housing	1	All Singles	17 3
—	20783	Fixing screw for stator housing	3	All Singles	3
—	21411	Washer for screw	3	All Singles	3
N.B.—For alternator and fittings, see electrical equipment, page 49.					
B107	21439	Spigot piece for front chaincase on crankcase	1	All Singles	15 6
—	11790	Dowel for spigot piece	1	All Singles	3
B108	21444	Sealing washer for spigot piece	1	All Singles	2
DISTRIBUTOR HOUSING					
B109	21459	Distributor housing	1	All Singles	12 4
B110	21027	Joint washer for housing	1	All Singles	3
B111	T2256	Pin, for locking distributor clamping plate	1	All Singles	1 2
B112	T2221	Washer for pin	1	All Singles	3
B113	420151	Clamping plate for distributor	1	All Singles	3 6
B114	415087	Pinch bolt c/with nut and washer for clamping plate	1	All Singles	1 3
—	T2245	Stud, distributor housing to crankcase (bottom)	1	All Singles	7
—	E3231	Nut for stud	1	All Singles	5
—	11796	Washer for stud	1	All Singles	3
B115	21028	Stud, distributor housing to crankcase ...	2	All Singles	1 6
B116	21030	Nut for stud	2	All Singles	1 6
B117	21029	Washer for stud	2	All Singles	3
—	T387	Distributor drain plug	1	All Singles	5

PLATE No.	PART No.	DESCRIPTION	QTY.	MODEL	PRICE EACH
—	11775	Washer for plug N.B.—For all other distributor parts, see electrical equipment, page 49.	1	All Singles	£ s. d. 2
CYLINDER HEAD STEADY PLATE					
—	21671	Head steady plate	1	All Singles	3 9
—	E3798	Bolt, steady plate to frame	2	All Singles	5
—	11796	Washer for bolt	2	All Singles	3
—	18202	Washer for bolt	2	All Singles	3
—	E3223	Nut for bolt	2	All Singles	5
CARBURETTERS ALL PRICES RETAIL NET					
—	376/17	Carburetter c/with cables	1	ES2	5 0 0
—	376/68	Carburetter c/with cables	1	50	5 0 0
—	376/66	Carburetter c/with cables	1	88 Std	5 0 0
—	376/247	Carburetter c/with cables	1	88 D/L	5 0 0
—	376/67	Carburetter c/with cables	1	99 Std	5 0 0
—	376/248	Carburetter c/with cables	1	99 D/L	5 0 0
—	389/71	Carburetter c/with cables	1	650 Std	5 5 0
—	389/72	Carburetter c/with cables	1	650 D/L	5 5 0
—	376/1 $\frac{1}{8}$ "	Carburetter body	1	ES2 and 99 Std	1 13 6
—	376/1"	Carburetter body	1	50 and 88 Std	1 13 6
—	376/002	Carburetter body	1	88 D/L	1 13 6
—	376/003	Carburetter body	1	99 D/L	1 13 6
—	389/002	Carburetter body	1	650 Std and D/L	1 19 0
—	376/064	Mixing chamber top	1	ES2, 50, 88 and 99 Std and D/L	4 0
—	389/064	Mixing chamber top	1	650 Std and D/L	4 0
—	376/065	Mixing chamber cap	1	ES2, 50, 88 and 99 Std and D/L	4 0
—	389/065	Mixing chamber cap	1	650 Std and D/L	4 0
—	4/235	Spring for mixing chamber cap	1	ES2, 50, 88 and 99 Std and D/L	1 0
—	29/201	Spring for mixing chamber cap	1	650 Std and D/L	1 0
—	4/241	Screw for cap spring	1	All	2
—	4/035	Cable adjusters	2	All	9
—	376/060	Throttle valve (state number)	1	ES2, 50, 88 and 99 Std and D/L	8 6
—	389/060	Throttle valve (state number)	1	650 Std and D/L	8 6
—	376/061	Throttle valve spring	1	ES2, 50, 88 and 99 Std and D/L	7
—	389/061	Throttle valve spring	1	650 Std and D/L	7
—	376/062	Air valve	1	ES2, 50, 88 and 99 Std and D/L	5 6
—	389/062	Air valve	1	650 Std and D/L	5 6
—	4/046	Spring for air valve	1	All	4
—	6/047	Air valve guide	1	ES2, 50, 88 and 99 Std and D/L	1 8
—	29/057	Air valve guide	1	650 Std and D/L	1 8

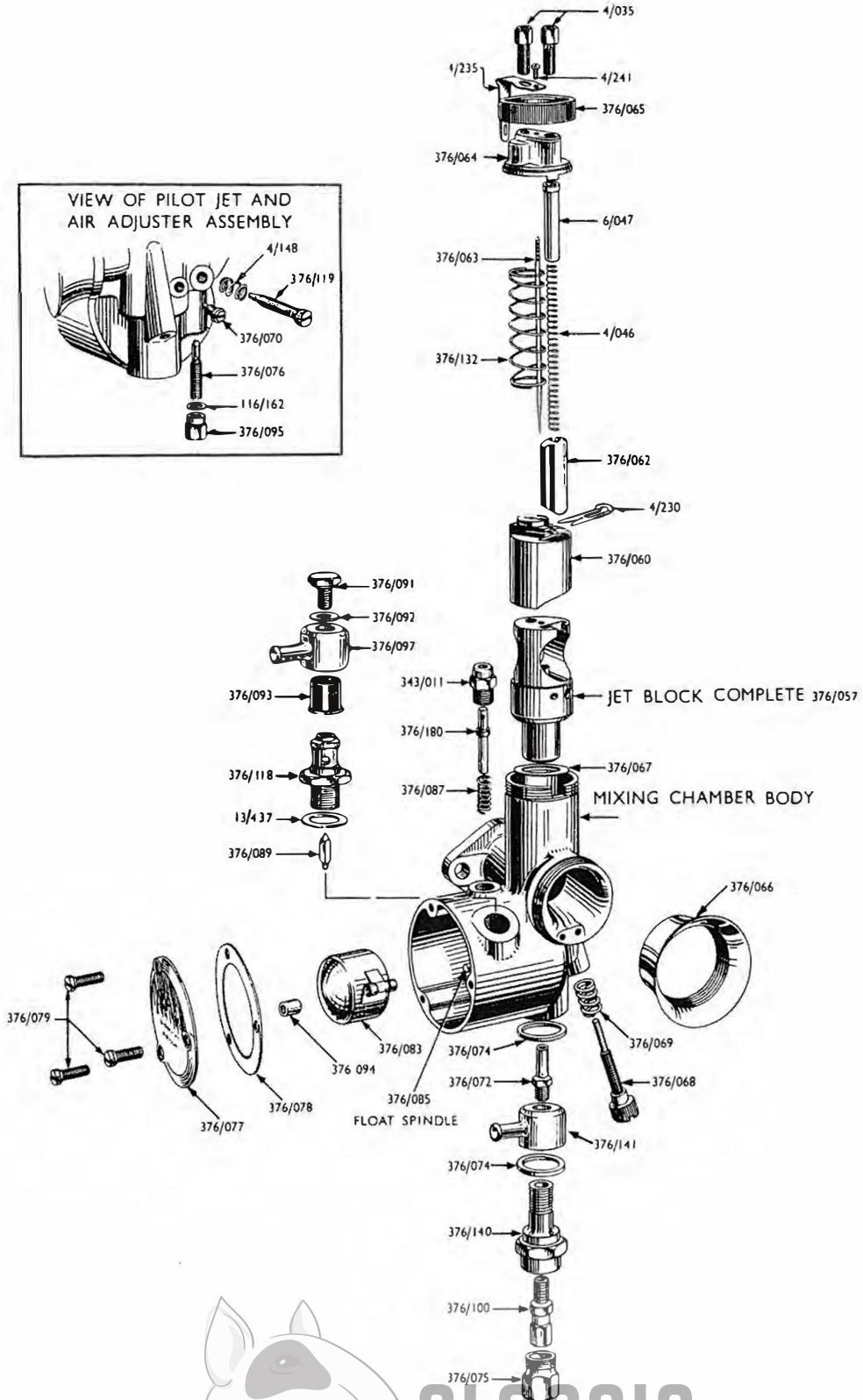
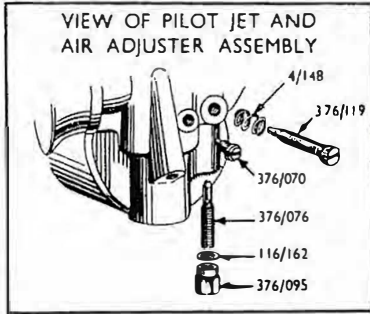


PLATE No.	PART No.	DESCRIPTION	QTY.	MODEL	PRICE EACH
—	376/063	Jet needle	1	ES2, 50, 88 and 99 Std and D/L	£ s. d. 3 0
—	389/063	Jet needle	1	650 Std and D/L	3 0
—	4/230	Clip for jet needle	1	All	7
—	376/068	Throttle adjusting screw	1	All	1 0
—	376/069	Spring for throttle adjusting screw	1	All	3
—	332/017	Pilot air adjusting screw	1	All	1 0
—	4/148	Spring for pilot air adjusting screw	1	All	4
—	376/066	Air intake tube	1	ES2, 50, 88 and 99 Std and D/L	5 0
—	389/066	Air intake tube	1	650 Std and D/L	5 0
—	376/056	Jet block	1	50, 88 Std and D/L	14 6
—	376/057	Jet block	1	ES2, 99 Std and D/L	14 6
—	389/056	Jet block	1	650 Std and D/L	16 0
—	376/070	Locating peg for jet block	1	All	7
—	376/067	Washer for jet block	1	All	2
—	376/072	Needle Jet	1	All	3 6
—	376/100	Main jet (state size)	1	All	1 9
—	376/073	Jet holder	1	All	5 0
—	376/074	Washer for jet holder	1	All	2
—	376/075	Main jet cover nut	1	All	1 3
—	376/076	Pilot jet (state size)	1	All	1 3
—	376/095	Pilot jet cover nut	1	All	1 0
—	116/162	Washer for pilot jet cover nut	1	All	2
—	376/077	Side cover	1	All	3 3
—	376/078	Washer for side cover	1	All	4
—	376/079	Screws for side cover	3	All	2
—	376/083	Float	1	All	6 6
—	376/085	Float hinge spindle	1	All	8
—	376/094	Float spindle bush	1	All	4
—	376/086	Tickler	1	ES2, 50, 88, 99 Std and D/L; 650 D/L	1 3
—	376/180	Tickler	1	650 Std	1 3
—	343/011	Tickler body	1	All	1 8
—	376/087	Tickler spring	1	ES2, 50, 88, 99 and 650 Std	2
—	343/013	Tickler spring	1	88, 99 and 650 D/L	2
—	376/088	Needle seating	1	ES2, 50, 88 and 99 Std and D/L	3 3
—	376/118	Needle seating	1	650 Std and D/L	3 3
—	376/089	Needle	1	All	2 0
—	376/097	Banjo	1	All	2 9
—	376/091	Banjo bolt	1	All	8
—	376/092	Banjo bolt washer	1	All	2
—	376/093	Filter gauze	1	All	1 0
—	20000	Sealing ring	1	ES2, 50, 88, 99 Std	1 0
—	244/1048	Sealing ring	1	88, 99 D/L; 650 Std and D/L	1 0
—	14/175	Needle seating washer	1	ES2, 50, 88 and 99 Std and D/L	2
—	13/437	Needle seating washer	1	650 Std and D/L	2
—	363/056	Tickler bracket	1	88, 99 and 650 D/L	1 10
—	22806	Tickler lever	1	88, 99 and 650 D/L	1 3

+10%

PLATE No.	PART No.	DESCRIPTION	QTY.	MODEL	PRICE EACH
		EXHAUST PIPES			£ s. d.
—	23291	Exhaust pipe	1	ES2	2 0 3
—	23290	Exhaust pipe	1	50	1 17 5
—	22802	Exhaust pipe, L.H.	1	88 Std and D/L	2 2 0
—	22803	Exhaust pipe, R.H.	1	88 Std and D/L	2 2 0
—	22753	Exhaust pipe, L.H.	1	99 Std and D/L	2 2 0
—	22751	Exhaust pipe, R.H.	1	99 Std and D/L	2 2 0
—	24020	Exhaust pipe, L.H.	1	650 Std and D/L	4 1 0
—	24021	Exhaust pipe, R.H.	1	650 Std and D/L	4 1 0
—	18197	Lock ring for exhaust pipe	1	All Singles	8 10
—	E6842	C. & A. washers for pipe	1	All Singles	5
—	18092	Lock ring for exhaust pipe	2	All Twins	8 10
—	T2166	C. & A. washer for pipe	2	All Twins	5
		SILENCERS			
—	22121	Silencer, R.H.	1	All Singles	3 9 0
—	22790	Silencer, L. or R.	2	88, 99 Std and D/L	3 9 0
—	23768	Silencer, L.H.	1	650 Std and D/L	4 15 0
—	23767	Silencer, R.H.	1	650 Std and D/L	4 15 0
—	22097	Fixing bracket	1	ES2 and 50	1 0
—	22804	Fixing bracket, L.H.	1	All Twins	1 9
—	22805	Fixing bracket, R.H.	1	All Twins	1 9
—	22475	Bolt for fixing bracket	2	All Singles	1 0
—	E5456	Washer for bolt	4	All Singles	3
—	13053	Stud for fixing bracket	4	88 Std and D/L	7
—	18202	Washer for stud	4	88 Std and D/L	3
—	E3223	Nut for stud	4	88 Std and D/L	5
—	17075	Bolt for silencer fixing	4	99 Std and D/L	7
—	18202	Washer, fan disc, for bolt	4	99 Std and D/L	3
—	22475	Bolt for fixing bracket	4	650 Std and D/L	1 0
—	18202	Washer for bolt	8	650 Std and D/L	3
—	16255	Clips, silencers to exhaust pipes	1	All Singles	2 5
—	E3154	Bolts for clips	1	All Singles	6
—	E3231	Nuts for bolts	1	All Singles	5
			2	All Twins	
		FRONT FORK ASSEMBLY AND FITTINGS			
—	M12-2/170	Front fork assembly, complete (Solo)	1	All	26 0 2
C1	18482	Main tube	2	All	2 0 6
C2	T1055	Main tube top bush	2	All	6 8
C3	T1048	Main tube bottom bush	2	All	8 10
C4	14298	Main tube bottom bush circlip	2	All	7
C5	19299	Fork end, L.H.	1	All	3 9 0
C6	19298	Fork end, R.H.	1	All	3 9 0
—	16664	Fork end pinch stud	1	All	5
—	E3231	Nut for stud	1	All	5
C7	T387	Fork end drain plug	2	All	5
C8	11775	Washer for plug	2	All	2

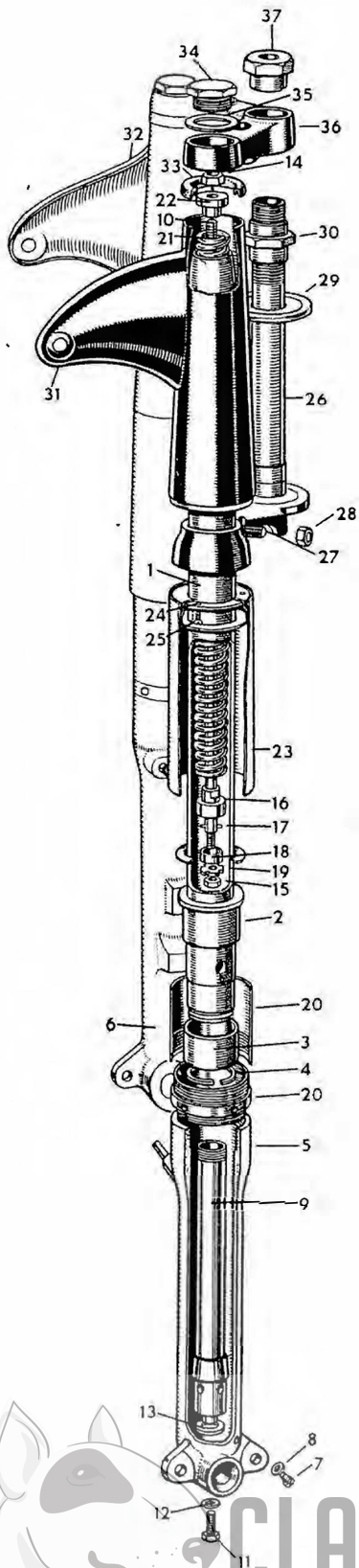


PLATE C.

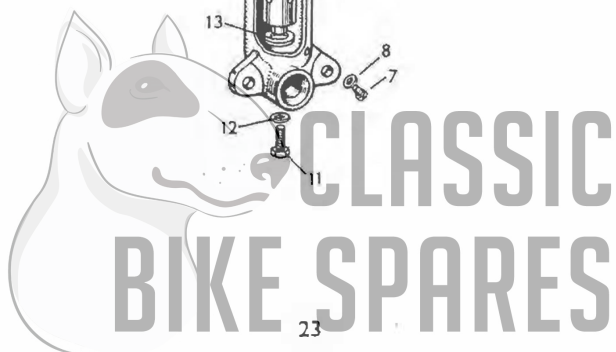


PLATE No.	PART No.	DESCRIPTION	QTY.	MODEL	PRICE EACH
					£ s. d.
C9	20253	Oil damper tube	2	All	1 3 8
C10	15801	Oil damper rod	2	All	4 0
C11	14275	Oil damper tube bolt	2	All	11
C12	T1009	Washer for bolt	2	All	1
C13	T814	Washer for tube	2	All	1
C14	E3224	Nut for rod top	2	All	5
C15	E3231	Nut for rod bottom	2	All	5
C16	14605	Damper tube cap	2	All	3 4
C17	14119	Piston locating peg	2	All	3
C18	14118B	Oil damper valve cup	2	All	2 8
C19	14117	Oil damper valve cup slotted ring	2	All	2 8
—	17713	Oil seal	2	All	5 6
—	T1049	Oil seal paper washer	2	All	2
C20	50117	Main tube lock ring with cup	2	All	1 3 8
C21	18813	Main spring	2	All	8 10
C22	16880	Main spring locating bushes	2	All	1 9
C23	19307	Spring top cover tube	2	All	5 4
C24	T831	Spring top cover tube securing plate	2	All	1 4
C25	T702	Screws for securing plate	6	All	3
C26	50259	Crown lug, complete with column	1	All	3 4 2
C27	16164	Pinch stud for crown lug	2	All	7
C28	16187	Nut for stud	2	All	5
C29	15628	Head clip ball race cover	1	All	1 4
C30	15630	Fork head race adjuster nut	1	All	8 1
C31	19275	Top cover with lamp bracket, L.H.	1	All	16 10
C32	19276	Top cover with lamp bracket, R.H.	1	All	16 10
—	19272	Distance piece for lamp bracket	2	All	1 2
—	15398	Top cover name plate	2	All	2 0
—	18810	Rivets for plate, four per set	1 set	All	3
C33	T597	Main tube top cover rubber ring	2	All	11
C34	16998	Fork main tube filler and retaining plug	2	All	6 8
C35	T320	Washer for plug	2	All	11
C36	19019	Fork head clip	1	All	2 3 11
C37	19490	Fork crown and column locknut	1	All	6 8
—	15627	Washer for column locknut	1	All	7
—	22823	Front fork stop plate	1	All	3 4
—	E3798	Bolt for plate	2	All	5
—	E3231	Nut for bolt	2	All	5
—	18202	Washer for bolt	2	All	3
—	E5380	Washer for bolt	2	All	3
—	88/2002	Complete set fork oil seals	1	All	13 6
		Sets comprise the following:			
		11775 2 F11M2/639 2			
		D3T/616 2 B2/628 2			
		B2/617 2			
		FRONT FORKS WITH SIDECAR TRAIL			
—	M12-2/170 SC	Front fork assembly, complete (with side- car trail)	1	All	26 0 2
—	15906A	Fork spring	2	All	8 10
—	21508	Fork crown and column	1	All	3 4 2
—	13457	Pinch stud for crown lug	2	All	7

PLATE No.	PART No.	DESCRIPTION	QTY.	MODEL	PRICE EACH
—	13459	Nut for pinch stud	2	All	£ s. d. 5
—	21593	Fork head clip	1	All	2 3 11
—	21632	Fork crown and column lock stop ...	1	All	3 4
—	21570	Fork top cover with lamp bracket, L.H.	1	All	16 10
—	21571	Fork top cover with lamp bracket, R.H.	1	All	16 10
—	21620	Steering damper anchor plate	1	All	3 4
—	T347	Friction disc for steering damper ...	2	All	1 4
—	50002	Friction plate for steering damper ...	1	All	5 4
—	21642	Bolt for friction plate	1	All	10
—	E5380	Washer for bolt	1	All	3
—	E3135	Bolt for anchor plate	1	All	10
—	E3231	Nut for bolt	1	All	5
—	18202	Washer for bolt	1	All	3
—	19357	Distance piece for anchor plate	1	All	7
—	15626	Fork crown and column locknut	1	All	6 8
—	15627	Washer for locknut	1	All	7
—	21509	Steering damper rod	1	All	1 4
—	E3231	Nut for rod	2	All	5
—	21574	Distance piece for rod	1	All	7
—	16075	Spring for rod	1	All	11
—	18336	Wing nut for rod	1	All	8 8
—	E3223	Locknut for wing nut	1	All	5

N.B.—Parts not listed above are as fitted to Solo forks.

HANDLEBAR AND FITTINGS

—	19405	Handlebar bend	1	All	1 8 9
—	19021 A	Half clip for handlebar bend	2	All	2 8
—	19437	Pins for half clip	4	All	7

FRONT BRAKE AND CLUTCH LEVER ASSEMBLIES

—	19410	Front brake and air control lever, complete	1	All	1 3 0
—	M12-2/224	Front brake lever, complete	1	All	14 10
—	M12-2/226	Clutch lever, complete	1	All	14 10
—	M12-2/225	Front brake lever only	1	All	7 5
—	M12-2/227	Clutch lever only	1	All	7 5
—	M12-2/228(RH)	Front brake lever body	1	All	6 10
—	M12-2/228(LH)	Clutch lever body	1	All	4 0
—	A2/222	Clutch lever body clip	1	All	1 4
—	A2/223	Pins for clips	2	All	5
—	M12-2/229	Front brake or clutch lever pivot pin ...	2	All	5
—	M12-2/230	Nut for pivot pin	2	All	3

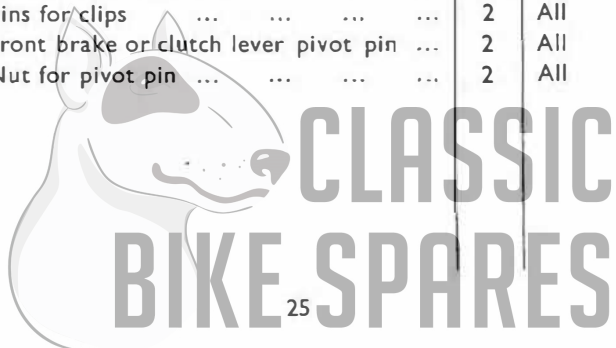


PLATE No.	PART No.	DESCRIPTION	QTY.	MODEL	PRICE EACH
					£ s. d.
		EXHAUST LIFTER LEVER AND FITTINGS			
—	M2/233	Exhaust lifter lever, complete	1	All Singles	11 9
—	M2/234	Exhaust lifter lever only	1	All Singles	4 0
—	M2/235	Exhaust lifter lever body	1	All Singles	5 4
—	A2/222	Exhaust lifter lever clip	1	All Singles	1 4
—	A2/223	Exhaust lifter lever pivot pin or clip screw	3	All Singles	5
—	A2/236	Nut for pivot pin	1	All Singles	3
		TWIST GRIP COMPLETE AND FITTINGS			
—	M12-2/237	Twist grip, complete	1	All	14 2
—	M12-2/238	Twist grip top half clip	1	All	4 5
—	M12-2/239	Twist grip bottom half clip	1	All	4 5
—	A2/240	Twist grip clip fixing pin	2	All	5
—	M12-2/241	Twist grip control barrel	1	All	5 1
—	A2/242	Twist grip control adjusting screw ...	1	All	6
—	A2/236	Twist grip control adjusting screw nut ...	1	All	3
—	M12-2/243	Twist grip adjusting screw spring ...	1	All	1 2
—	M12-2/244	Twist grip cable stop	1	All	6
—	19414	Twist grip plastic grip	1	All	1 9
—	20267	Dummy grip to match twist grip ...	1	All	2 5
		AIR LEVER COMPLETE AND FITTINGS			
—	M12-2/216	Air lever, complete	1	All	12 2
—	M122/217	Air lever only	1	All	5 4
—	M12-2/218	Air lever body	1	All	4 0
—	M122/220	Air lever cap	1	All	11
—	M122/219	Air lever cap screw	1	All	5
—	A2/221	Air lever cap spring washer	1	All	3
—	M122/223	Air lever clip screw	2	All	10
		FRONT BRAKE CABLE			
—	20295	Front brake cable, complete with adjuster			
		U clip and nipples	1	All	9 6
—	B2/269	Front brake outer cable	1	All	4 8
—	B2/270	Front brake inner cable	1	All	2 8
—	18881	Front brake adjuster	1	All	4 0
—	18882	Front brake cable nipple U clip end ...	1	All	3
—	A2/252	Front brake cable nipple handlebar end...	1	All	1 4
—	14759	Front brake cable U clip	1	All	8
—	E3255	Pin for U clip	1	All	5
—	17735	Cotter for pin	1	All	1
—	E5455	Washer for pin	1	All	3
		CLUTCH CABLE			
—	19828	Clutch cable, complete with adjuster and nipples	1	All	6 0

PLATE No.	PART No.	DESCRIPTION	QTY.	MODEL	PRICE EACH
—	M12-2/266	Clutch outer cable	1	All	£ 3 5
—	M12-2/267	Clutch inner cable	1	All	1 9
—	18889	Clutch cable adjuster	1	All	1 2
—	A2/252	Clutch cable nipple handlebar end ...	1	All	1 4
—	19987	Clutch cable nipple gear box end ...	1	All	3
EXHAUST LIFTER CABLE					
—	18888	Exhaust lifter cable, complete with adjuster and nipples	1	ES2, 50	6 0
AIR CABLES					
—	20276	Air cable, complete	1	ES2, 50, 88, 99 Std and D/L Nett	3 0
—	244/1675	Air cable, complete	1	650 Std and D/L Nett	3 0
THROTTLE CABLES					
—	20277	Throttle cable, complete	1	ES2, 50, 88, 99 Std and D/L Nett	3 0
—	244/1676	Throttle cable, complete	1	650 Std and D/L Nett	3 0
PETROL TANK AND FITTINGS					
—	22630A	Petrol tank (less fittings)	1	All	12 10 0
—	18524	Filler cap for tank	1	All	10 2
—	P43/4	Washer for filler cap	1	All	1 2
—	16237	Frame mounting rubber for petrol tank	2	All	3 5
—	22081	Front fixing bolts for petrol tank ...	2	All	1 3
—	22082	Rubber washers for fixing bolts, top ...	2	All	3
—	E6743	Rubber washers for fixing bolts, bottom	2	All	5
—	E6742	Steel cups for rubber washers	2	All	7
—	10914	Washers (steel) for steel cups	2	All	5
—	22764	Rubber ring for petrol tank rear mounting	1	All	1 0
—	22714	Styling strip for petrol tank, L.H. ...	1	All	1 7 6
—	22713	Styling strip for petrol tank, R.H. ...	1	All	1 7 6
—	22755	Fixing screw for styling strip	6	All	6
—	22722	Knee grip, L.H.	1	All	1 6
—	22721	Knee grip, R.H.	1	All	1 6
—	23305	Petrol tap	1	All	10 0
—	E5264	Washer for tap	1	All	3
—	13786	Washer for tap	A/R	All	3
—	22265	Petrol pipe, complete	1	All	4 6
OIL TANK AND FITTINGS					
—	22622	Oil tank (less fittings)	1	ES2 and 50; 88, 99 Std	3 7 6
—	22656	Oil tank (less fittings)	1	88, 99 D/L	3 7 6
—	23866A	Oil tank (less fittings)	1	650 Std	3 7 6
—	23889	Oil tank (less fittings)	1	650 D/L	3 7 6

PLATE No.	PART No.	DESCRIPTION	QTY.	MODEL	PRICE EACH
—	21496	Filler cap for tank	1	88, 99 Std; ES2, 50, 650 Std	£ s. d. 8 10
—	P44/4	Washer for filler cap (rubber)	1	88, 99 Std; ES2, 50, 650 Std	10
—	22057	Filler cap for tank	1	88, 99 and 650 D/L	5 0
—	P192	Washer for filler cap (cork)	1	88, 99 and 650 D/L	4
—	22475	Top fixing bolt for oil tanks	1	All	1 0
—	22715	Grommet for top fixing bolts	1	All	4
—	22716	Distance tube for grommet	1	All	4
—	E5456	Washers for top fixing bolt	2	All	3
—	E3223	Nut for top fixing bolt	1	All	5
—	13053	Studs for oil tank bottom fixing	2	All	7
—	E5456	Washers for bottom fixing studs	2	All	3
—	E3223	Nuts for bottom fixing studs	2	All	5
—	22651	Platform for oil tank and battery	1	88, 99 and 650 D/L	13 6
—	19201	Platform for oil tank and battery	1	88, 99, 650 Std; ES2 and 50	13 6
—	22601	Mat for oil tank and battery platform	1	88, 99 and 650 D/L	2 6
—	19212	Mat for oil tank and battery platform	1	88, 99, 650 Std; ES2 and 50	6 8
—	14481	Bolts for oil tank and battery platform attachment	4	All	9
—	E5379	Washers for platform bolts	8	All	3
—	E3229	Nuts for platform bolts	4	All	5
—	17014	Breather pipe for oil tank (12")	1	88, 99, 650 Std; ES2 and 50	2 0
—	17014A	Breather pipe for oil tank (14")	1	88, 99 and 650 D/L	2 4
—	19380	Return pipe adaptor	1	All	3 4
—	13786	Washer for adaptor	2	All	3
—	13765	Drain plug	1	All	10
—	13833	Washer for plug	1	All	3
—	19379	Filter union with gauze	1	All	9 6
—	E6640	Washer for union	1	All	7
OIL PIPES AND FITTINGS					
—	19480	Junction block with pipes	1	All Singles	8 1
—	19457	Junction block with pipes	1	All Twins	8 1
—	14843	Sealing washer for junction block	1	All Singles	3
—	T2100	Sealing washer for junction block	1	All Twins	3
—	T2106	Dowell for junction block	1	All	11
—	14714	Stud for junction block	1	All Singles	1 2
—	E3223	Nut for stud	1	All Singles	5
—	E5456	Washer for stud	1	All Singles	3
—	T2006	Stud for junction block	1	All Twins	1 2
—	E5377	Washer for stud	1	All Twins	3
—	T2101	Nut for stud	1	All Twins	2 0
—	19452	Oil feed or return pipe	2	All	1 9
—	22351	Rocker feed pipe assembly	1	All Singles	6 8
—	22168	Rocker feed pipe assembly	1	All Twins	15 6
N.B.—22168 comprises 22167, 22166 and 21591 assembled.					
—	22167	Rubber connection for rocker feed pipe	1	All Twins	1 6
—	22166	Rocker feed pipe (to head)	1	All Twins	7 6

PLATE No.	PART No.	DESCRIPTION	QTY.	MODEL	PRICE EACH
—	21591	Rocker feed pipe (from oil tank) ...	1	All Twins	£ 6 6
—	13805	Banjo bolt for oil feed pipe ...	1	All Singles	3 4
—	18101	Banjo bolt for oil feed pipe ...	2	All Twins	2 8
—	13786	Washer for banjo bolt ...	2	All Singles	3
—	T1084	Washer for banjo bolt ...	4	All Twins	3
GEARBOX GEARBOX, AXLE SPROCKET AND SHELL					
—	040457	Gearbox, complete, less clutch, 1961 ...	1	All	On appli- cation
—	040614	Gearbox, complete, less clutch, 1962 ... (NA 1001 onwards)	1	All	
D1	040010	Axle sprocket ...	1	All	1 8 9
D2	040070	L/nut for sprocket ...	1	All	1 5
D3	040076	Locking plate for sprocket ...	1	All	7
D4	000450	Screw for locking plate ...	1	All	3
D5	040097	Gearbox shell c/with bushes ...	1	All	6 1 3
D6	040138	Drain plug ...	1	All	8
D7	000200	Washer for plug ...	1	All	4
D8	000577	Dowel for shell ...	2	All	2
D9	040064	Stud for shell (short) ...	2	All	8
D10	000271	Stud for shell (long) ...	5	All	7
D11	000004	Nut for stud ...	7	All	4
D12	040056	Bush, for shell ...	2	All	5 6
—	040131	Spacer for axle sprocket ...	1	All	5 9
BEARINGS, CAMPLATE, PINIONS AND SHAFTS					
D13	040132	Oil seal for sleeve gear ...	1	All	5 2
D14	040098	Ballrace, mainshaft, large ...	1	All	1 6 0
D15	040100	Ballrace, layshaft ...	1	All	15 0
D16	040035	Shaft for selector fork ...	1	All	6 4
D17	040022	Selector fork ...	2	All	1 13 4
D18	040108	Cam plate assembly (plate and spindle)...	1	All	1 18 6
—	040018	Cam plate bare ...	1	All	1 9 11
—	040015	Cam plate spindle ...	1	All	8 8
D19	040109	Quadrant assembly (quadrant and spindle)	1	All	1 3 0
D20	040129	"O" ring for cam or quadrant ...	2	All	1 2
D21	000174	Washer for cam or quadrant ...	2	All	2
D22	040136	Screw for cam or quadrant ...	2	All	7
D23	040078	Roller for knuckle pin ...	1	All	4 7
D24	040034	Indexing plunger ...	1	All	3 1
D25	040442	Spring for plunger ...	1	All	3
D26	040036	Bush for plunger ...	1	All	10
D27	040001	Mainshaft ...	1	All	2 6 0
D28	040373	Nut, for mainshaft, left hand end (clutch retaining) ...	1	All	11
D29	040374	Washer for nut ...	1	All	3
D30	040422	Sleeve gear assembly, 23T ...	1	All	2 17 9
—	040062	Bush for sleeve gear ...	2	All	2 11
D31	040012	Mainshaft 3rd gear (sliding pinion) 21T ...	1	All	1 19 2
D32	040418	Mainshaft 2nd gear (free pinion) 18T ...	1	All	1 11 7
—	040048	Bush for mainshaft 2nd gear ...	1	All	7 6
D33	040026	Mainshaft bottom gear, 14T ...	1	All	14 5

PLATE No.	PART No.	DESCRIPTION	QTY.	MODEL	PRICE EACH
D34	040099	Ballrace mainshaft (small)	1	All	£ s. d. 15 9
D35	040023	Nut for mainshaft, right hand end ...	1	All	1 2
D36	040284	Layshaft pinion, 18T	1	All	14 5
D37	040420	Layshaft 3rd gear (free pinion) 20T ...	1	All	1 12 9
—	040047	Bush for layshaft 3rd gear	1	All	9 9
D38	040019	Layshaft 2nd gear (sliding pinion) 24T ...	1	All	1 14 6
D39	040115	Layshaft bottom gear K/S wheel, 28T ...	1	All	2 0 3
—	040046	Bush, for layshaft bottom gear	1	All	5 9
D40	040025	Layshaft	1	All	1 16 3
INNER COVER AND FOOTCHANGE					
D41	040095	Inner cover for gearbox, 1961	1	All	3 8 1
—	040467	Inner cover for gearbox, 1962 (NA1001 onwards)	1	All	3 5 6
D42	040030	Gasket, inner cover to gearbox shell ...	1	All	2
—	040072	Bush for K/S axle in inner cover, 1961 ...	1	All	7 6
D43	040473	Bush for K/S axle in inner cover, 1962 ... (NA1001 onwards)	1	All	5 3
D44	040071	Cam for K/S in inner cover	1	All	1 2
D45	040042	Stop for K/S in inner cover	1	All	2 0
—	040041	Rivets for K/S cam and stop piece, 1961	2	All	1
—	040041	Rivet for K/S cam, 1962 (NA1001 onwards)	1	All	1
—	040474	Rivet for K/S stoppiece, 1962 (NA1001 onwards)	1	All	11
D46	040061	Bush, for footchange in inner cover ...	1	All	1 5
D47	000577	Dowel for inner cover	2	All	2
D48	040111	Footchange ratchet plate with spindle ...	1	All	1 13 11
—	040066	Footchange and ratchet plate spindle ...	1	All	6 4
D49	040038	Pawl spring for footchange	1	All	5
DS0	040079	“O” ring for ratchet spindle	1	All	7
—	040110	Footchange pawl carrier assembly	1	All	1 7 2
DS1	040002	Pawl carrier only	1	All	1 6 2
D52	040024	Pawl only, for footchange	1	All	6 4
D53	040067	Pin for footchange pawl	1	All	1 9
—	040049	Circlip for pin	1	All	1
D54	040135	Washer for footchange pawl carrier spring	1	All	7
D55	040479	Return spring, for footchange pawl carrier	1	All	7
D56	040052	Stop plate for footchange	1	All	2 11
D57	041400	Screw, for stop plate	2	All	7
D58	014117	Washer (anti-friction) for screw	2	All	2
DS9	041311	Footchange lever	1	All	1 0 6
D60	040086	Rubber for lever	1	All	1 2
D61	040105	Retaining bolt for lever	1	All	1 2
D62	045062	Washer for bolt	1	All	1
D63	000005	Nut for bolt	1	All	6
D64	040051	Gear indicator	1	All	1 9
D65	040137	Screw for indicator	1	All	7
D66	000012	Washer for screw	1	All	1
KICKSTARTER AXLE AND CRANK					
D67	040114	Kickstarter axle c/w/with bush, 1961 ...	1	All	2 16 11

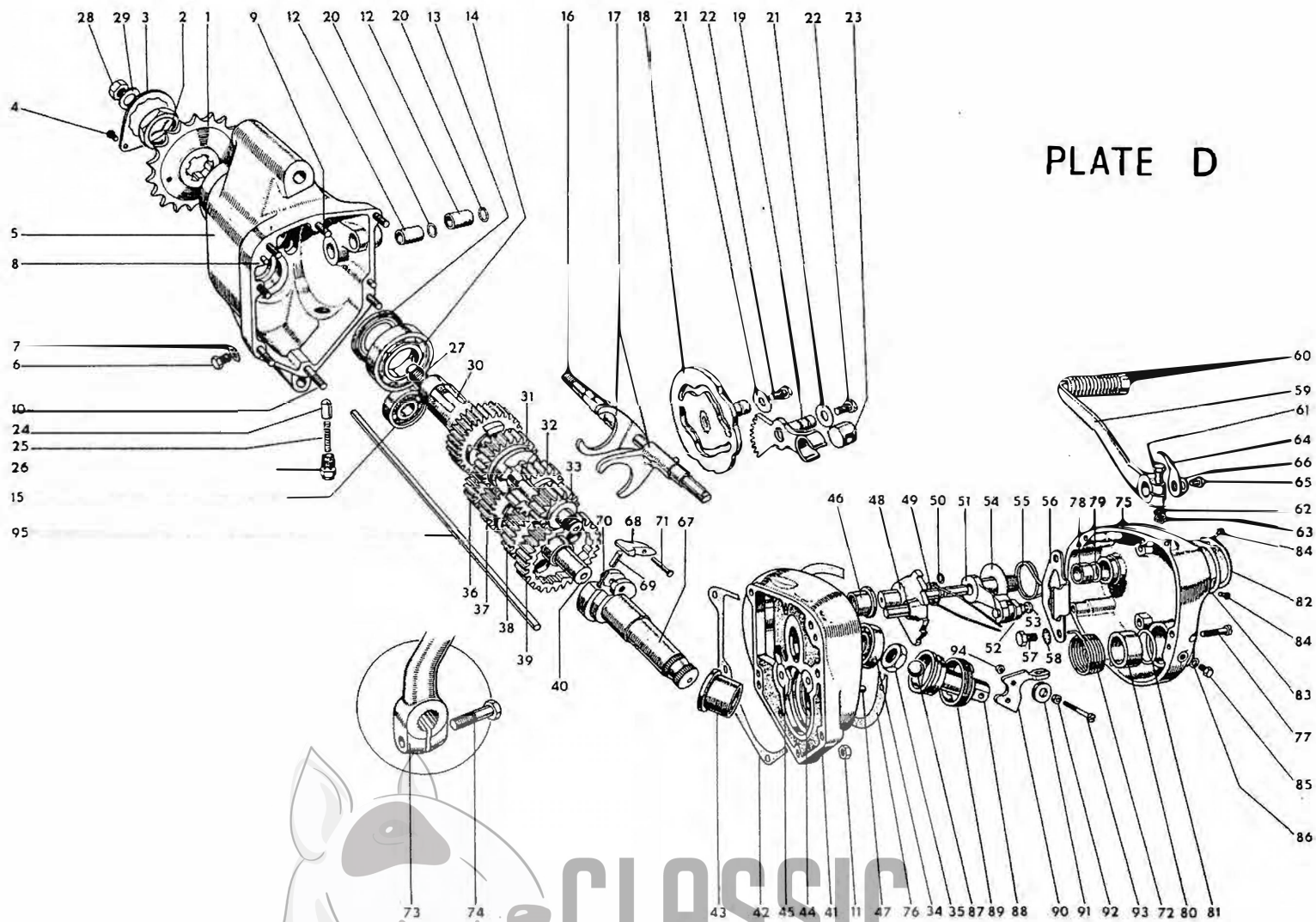


PLATE D



**CLASSIC
BIKE SPARES**

PLATE No.	PART No.	DESCRIPTION	QTY.	MODEL	PRICE EACH
—	040477	Kickstarter axle c/with bush, 1962 ... (NA1001 onwards)	1	All	£ s. d. 2 10 9
—	040032	Bush, for K/S axle and layshaft, r/hand ...	1	All	8 8
D68	040017	Pawl for K/S axle	1	All	6 4
D69	040069	Plunger for K/S pawl	1	All	7
D70	040044	Spring for plunger	1	All	3
D71	040033	Pin for K/S pawl	1	All	1 2
D72	040043	Return spring for K/S crank, 1961 ...	1	All	1 2
—	040475	Return spring for K/S crank, 1962 ... (NA1001 onwards)	1	All	1 2
D73	040101	Kickstarter crank	1	All	1 19 1
D74	040102	Clinch bolt	1	All	1 2
OUTER COVER AND BUSHES					
D75	040134	Outer cover for gearbox, 1961	1	All	2 13 10
—	040464	Outer cover for gearbox, 1962 (NA1001 onwards)	1	All	2 14 9
D76	040055	Gasket for outer cover	1	All	2
D77	000482	Screws for outer cover	5	All	6
D78	040063	Bush for gearchange, in outer cover ...	1	All	1 2
D79	040006	"O" ring for footchange	1	All	1 2
D80	040058	Bush for kickstarter, in outer cover, 1961	1	All	6 4
—	040472	Bush for kickstarter, in outer cover, 1962 (NA1001 onwards)	1	All	5 3
D81	040005	"O" ring for kickstarter	1	All	1 2
D82	040053	Inspection cover	1	All	6 0
D83	040057	Washer for inspection cover	1	All	1
D84	000450	Pin for inspection cover fixing	2	All	3
D85	000348	Oil level plug, in outer cover	1	All	6
D86	000203	Washer for plug	1	All	2
—	GOS/2000	Small set gearbox seals and washers ... Comprising: 040030 (1) 040055 (1) 040005 (1) 040006 (1) 040057 (1)	A/R	All	2 9
—	GOS/2001	Complete set gearbox oil seals and gaskets Comprising: 040030 (1) 040055 (1) 040057 (1) 000200 (1) 000203 (1) 040132 (1) 040129 (1) 040005 (1) 040079 (1) 040006 (1)	A/R	All	10 3
CLUTCH OPERATING PARTS (in Gearbox)					
D87	040031	Ball, clutch operating	1	All	5
D88	040059	Clutch operating body	1	All	9 9
D89	040003	Lockring for body	1	All	2 4
D90	040029	Lever for clutch operating body	1	All	4 4
D91	040060	Roller for lever	1	All	8
D92	040065	Sleeve for roller	1	All	7
D93	000457	Screw for roller	1	All	6
D94	011846	Nut for screw	1	All	3
D95	040607	Clutch rod	1	All	2 7

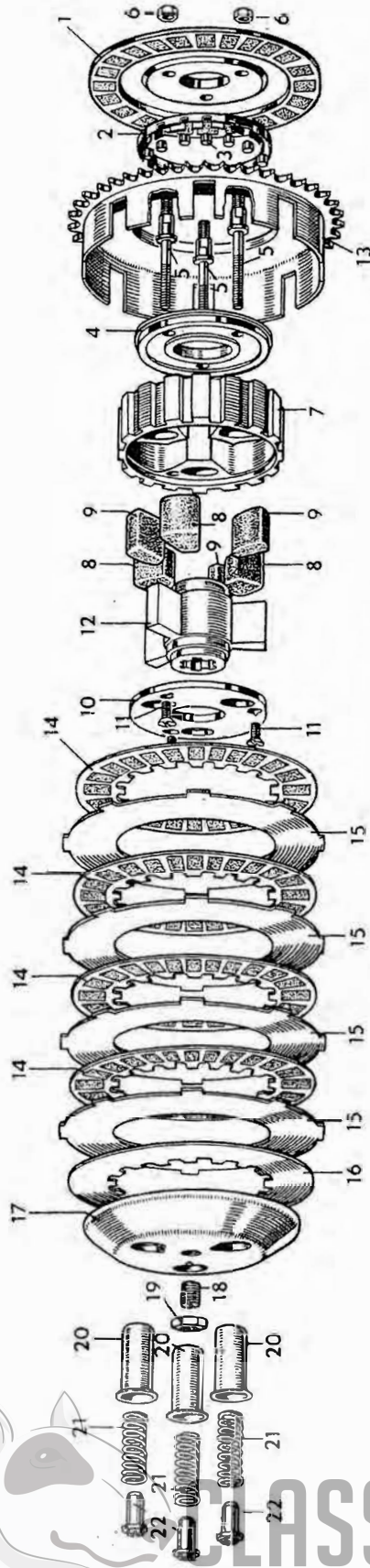


PLATE E

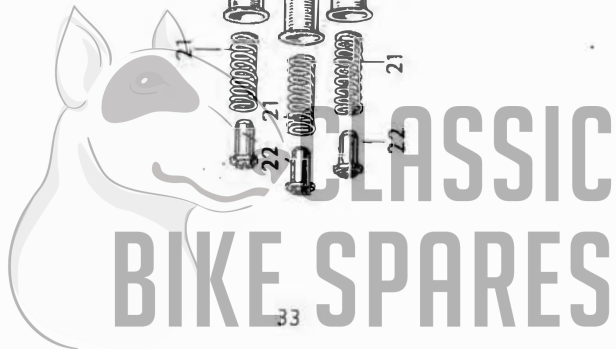


PLATE No.	PART No.	DESCRIPTION	QTY.	MODEL	PRICE EACH
		CLUTCH ASSEMBLY			£ s. d.
—	040399	Clutch, complete	1	50	12 0 0
—	040400	Clutch, complete	1	ES2, 88, 99 Std and D/L	12 5 0
—	23306	Clutch, complete	1	650 Std and D/L	12 5 0
E1	21261	Clutch back plate (bonded)	1	All	15 0
E2	040367	Clutch roller cage	1	All	3 5
E3	000075	Clutch rollers (15 per set)	1 set	All Set	5 1
E4	040351	Clutch race plate	1	All	13 6
E5	040384	Clutch spring stud	3	ES2, 50, 88, 99 Std and D/L	2 8
E5	23307	Clutch spring stud	3	650 Std and D/L	2 8
E6	040356	Clutch spring stud nut	3	All	5
E7	040366	Clutch body only	1	All	2 0 6
E8	040386	Clutch shock absorber rubbers (large)	3	All	8
E9	040387	Clutch shock absorber rubbers (small)	3	All	6
E10	23909	Clutch shock absorber cover plate	1	All	8 1
E11	23975	Pins for shock absorber cover plate	3	ES2, 50; 88, 99 Std and D/L	2
E11	24396	Pins for shock absorber cover plate	3	650 Std and D/L	3
E12	040354	Clutch shock absorber centre	1	ES2, 50; 88, 99 Std and D/L	1 13 10
E12	23501/A	Clutch shock absorber centre	1	650 Std and D/L	1 13 10
E13	21249	Clutch sprocket	1	All	3 0 0
E14	21259	Clutch friction plate (bonded)	3 } 4	50 } ES2, 88, 99 Std and D/L }	8 9
E14	23308	Clutch friction plate (bonded)	5 } 3	650 Std and D/L } 50 }	8 9
E15	21480	Clutch plate (plain)	4 } 5	ES2, 88, 99 Std and D/L } 650 Std and D/L }	3 9
E16	21260	Clutch end plate assembly (bonded)	1	All	5 9
E17	040393	Clutch pressure plate	1	50	12 1
E17	040365	Clutch pressure plate	1	ES2, 88, 99 Std and D/L	12 1
E17	22870	Clutch pressure plate	1	650 Std and D/L	12 1
E18	040360	Clutch adjuster	1	All	8
E19	040376	Locknut for adjuster	1	All	8
E20	040388	Clutch spring cup	3	All	11
E21	040385	Clutch spring	3	ES2, 50; 88, 99 Std and D/L	11
E21	21337	Clutch spring	3	650 Std and D/L	1 1
E22	040389	Clutch spring adjuster nut	3	All	1 4
		FRONT WHEEL AND FITTINGS			
—	23920	Front wheel with bearing and brake less tyre	1	All	20 19 10
—	S12-2/428	Front wheel with hub shell only	1	All	12 3 3
—	18350	Wheel rim	1	All	2 8 7
—	20063	Spokes (long head)	20	All	3
—	20061	Spokes (short head)	20	All	3

PLATE No.	PART No.	DESCRIPTION	QTY.	MODEL	PRICE EACH
—	17717	Nipples	40	All	£ s. d. 2
F1	13079	Nut for torque stop pivot pin	1	All	7
F2	50257	Front hub brake plate	1	All	3 6 2
F3	E4768	Nut for hub spindle	1	All	2 11
F4	20052	Front brake cam lever	1	All	4 0
F5	18942	Nut for cam lever	1	All	5
F6	E5455	Washer for lever	1	All	3
F7	19652	Torque stop pivot pin for brake plate	1	All	3 4
F8	18502	Hub brake shoe c/with lining	2	All	1 10 5
F9	E5061	Brake lining rivet	16	All	1
F10	16782	Hub brake shoe lining	1 pr.	All	Per Pair Nett 14 10
F11	14454	Brake shoe pivot pin retaining plate	1	All	1 4
F12	14506	Tab washer for retaining plate	1	All	10
F13	12342	Bolt for retaining plate	2	All	6
F14	E5832	Brake shoe return spring	2	All	7
F15	19719	Steel plate for hub bearing felt washer	1	All	10
—	E5944A	Brake plate packing washer	A/R	All	5
F16	E6885	Hub bearing felt washer	2	All	3
F17	E6889	Hub bearing pen steel washer	1	All	5
F18	17721	Hub bearing (offside)	1	All	Nett 1 8 3
F19	19646	Bearing distance tube	1	All	2 0
F20	50249	Front brake cam	1	All	9 6
F21	19664	Front hub shell c/with brake drum	1	All	7 9 6
F22	17719	Hub bearing (near side)	1	All	Nett 15 0
F23	16783	Hub bearing distance piece (plain side)... ..	1	All	1 4
F24	E6888	Hub bearing lock ring	1	All	2 8
F25	18551	Hub bearing dust cap	1	All	4 0
F26	19680	Brake cam bush	2	All	1 0
F27	20249	Front wheel spindle	1	All	1 0 3
—	17724	Security bolt	1	88, 99, 650 Std and D/L	5 2
REAR WHEEL AND FITTINGS					
—	23919	Rear wheel with bearing and brake less tyre (19")	1	ES2, 50, 88, 99 Std and D/L	24 6 5
—	24152	Rear wheel with bearing and brake less tyre (19")	1	650 Std and D/L	24 6 5
—	M12-2/649	Rear wheel with hub shell only	1	All	11 9 9
—	18350	Wheel rim	1	All	2 8 7
—	20063	Spokes (long head)	20	All	3
—	20061	Spokes (short head)	20	All	3
—	17717	Nipples	40	All	2
—	17724	Security bolt (rear)	1	88, 99, 650 Std and D/L	5 2
G1	19689	Rear hub only	1	All	6 8 4
G2	18348	Diaphragm for rear hub	1	All	10 2
G3	18396	Drive screws for diaphragm	6	All	2
G4	18731	Rubber grommets for rear hub	3	All	1 0
G5	50245	Rear brake drum with studs (43 teeth)... ..	1	All	4 1 1
G6	18338	Locating studs for brake drum	1	All	1 9
G7	18339	Non-locating studs for brake drum	2	All	1 4
G8	18233	Sleeve nut for brake drum	3	All	2 8
G9	18234	Hub bearing distance piece	1	All	2 8
G10	17719	Hub bearing, right hand	1	All	Nett 15 0

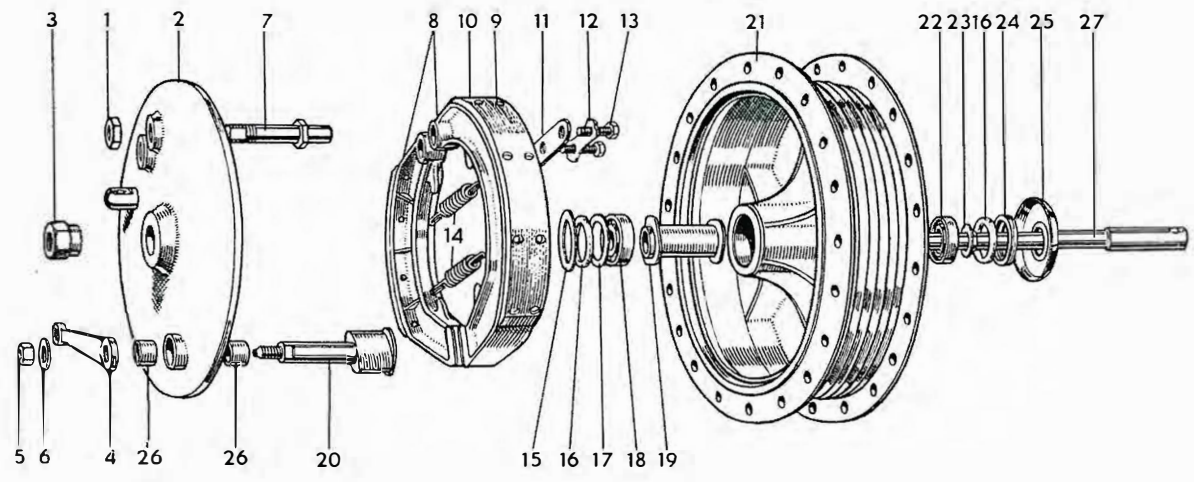


PLATE F

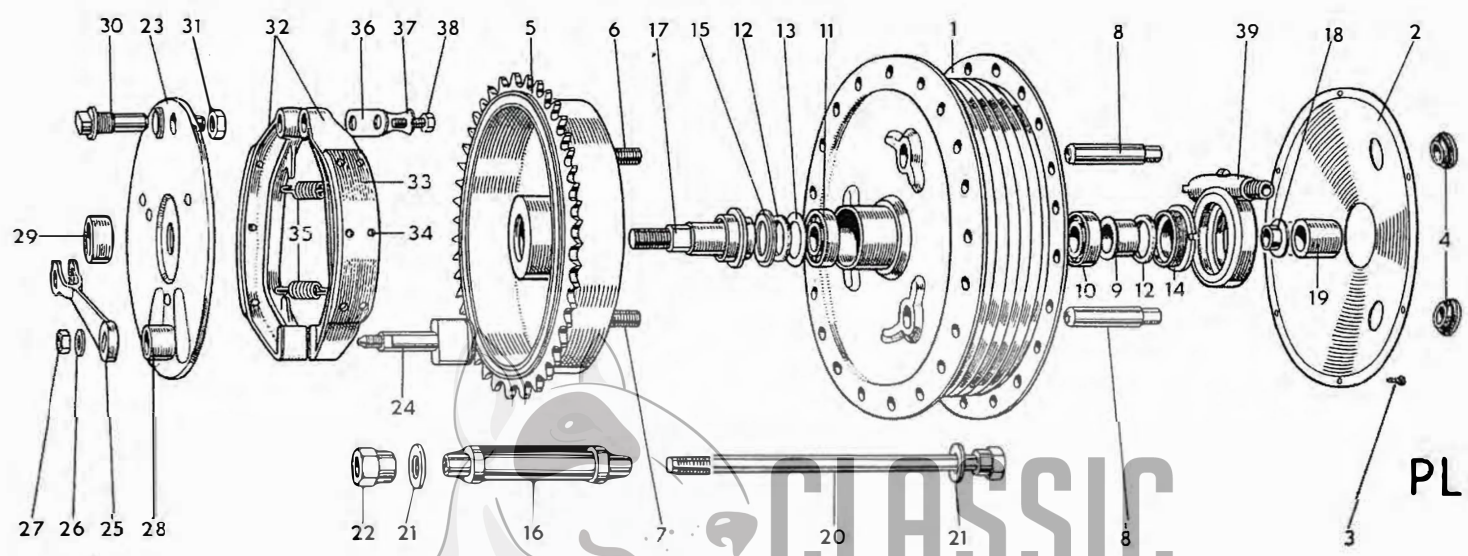


PLATE G

36

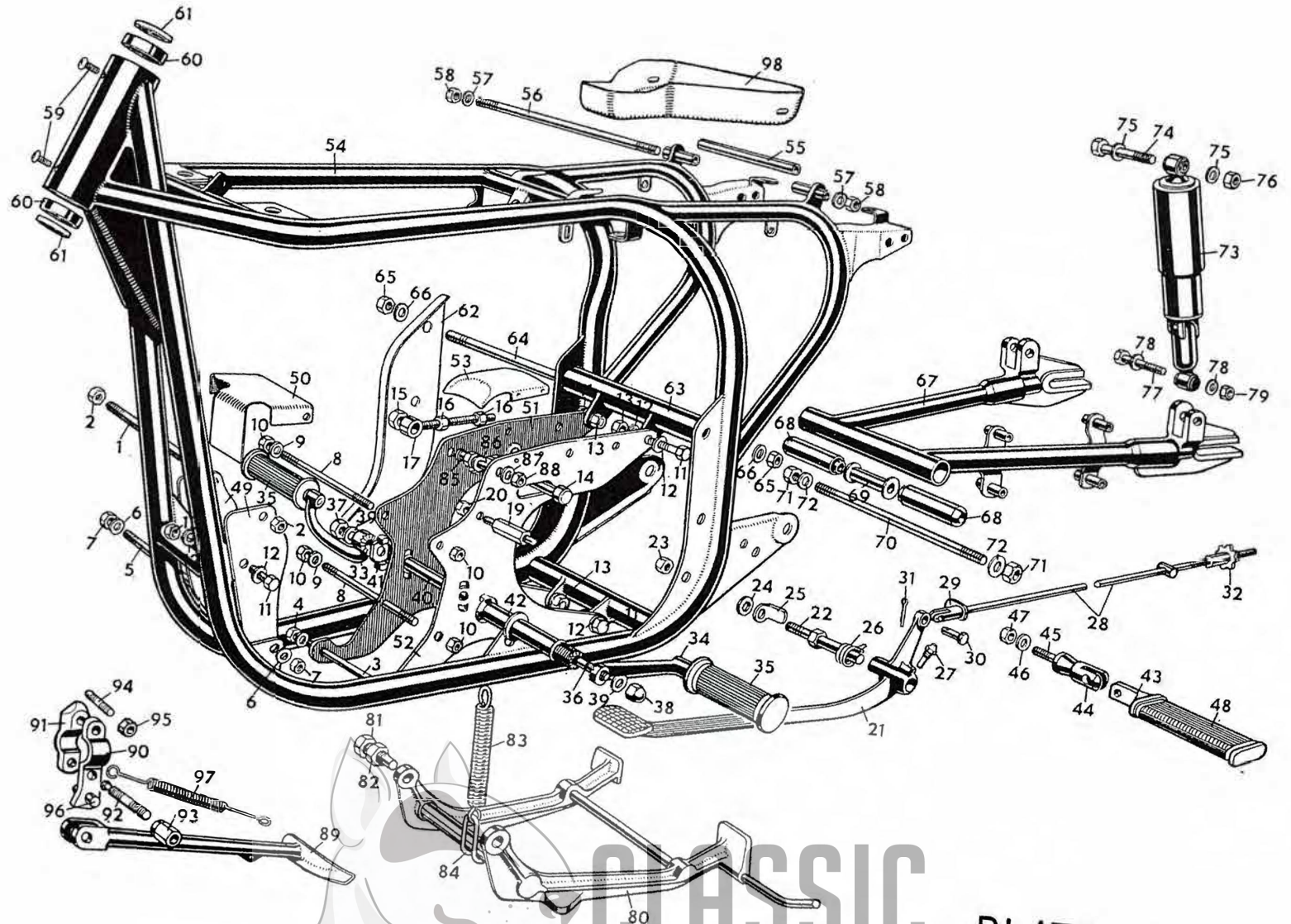
CLASSIC
BIKE SPARES

PLATE No.	PART No.	DESCRIPTION	QTY.	MODEL	PRICE EACH
					£ s. d.
G11	17721	Hub bearing, left hand	1	All	1 8 3
G12	E6885	Felt washer for bearing	2	All	3
G13	E6889	Pen steel washer for bearing	1	All	5
G14	18232	Hub bearing lock ring	1	All	6 8
G15	19714	Hub bearing felt washer, retaining washer	1	All	10
G16	18231	Rear hub inner sleeve	1	All	8 1
G17	E4760	Brake drum attachment piece	1	All	10 10
G18	13270	Speedometer drive distance piece	1	All	2 0
G19	18235	Hub spindle distance piece	1	All	2 8
G20	19265	Rear hub spindle	1	All	9 6
G21	19266	Washer for hub spindle	2	All	3
G22	19267	Nut for hub spindle	1	All	2 11
G23	19852	Rear brake plate	1	All	1 5 11
G24	50011	Rear brake cam	1	All	12 1
G25	19765	Rear brake cam lever	1	ES2, 50, 88, 99 Std and D/L	9 9
G25	23436	Rear brake cam lever	1	650 Std and D/L	9 9
G26	E5455	Washer for lever	1	All	3
G27	18942	Nut for lever	1	All	3
—	18929	Roller for lever	1	All	7
G28	E5082	Rear brake cam bearing	1	All	2 8
—	E5083	Nut for bearing	1	All	1 4
G29	19268	Rear brake plate distance piece	1	All	2 8
—	E5276	Rear brake plate packing washer	A/R	All	5
G30	19847	Rear brake torque pivot pin	1	All	5 4
G31	19848	Nut for torque pivot pin	1	All	1 9
G32	19584	Hub brake shoe with lining (rear)	2	All	1 7 8
G33	16547	Hub brake shoe lining (rear)	1 pr.	All	12 10
G34	E5061	Brake lining rivets (14 per set)	1 set	All	1
G35	E5832	Brake shoe return spring	2	All	7
G36	14454	Brake shoe pivot pin retaining plate	1	All	1 4
G37	14506	Tab washer for retaining plate	1	All	10
G38	12342	Bolt for retaining plate	2	All	6

**CRANKCASE AND ENGINE
PLATE TO FRAME BOLTS
AND NUTS**

(see also page 39)

H1	T2012	Crankcase to engine plate stud (front) (top)	1	All Twins	1 9
H2	E3224	Nut for stud	2	All Twins	3
—	E5376	Washer for stud	2	All Twins	5
—	18649	Bottom frame fixing to engine plate bolt	2	All Twins	1 9
—	E5456	Washer for bolt	4	All Twins	3
—	T2017	Nut for bolt	2	All Twins	5
H3	E4261	Crankcase to engine plate bolt (bottom)	1	All Twins	11
H4	E3223	Nut for bolt	1	All Twins	5
H5	22694	Crankcase to engine plate and frame stud (bottom)	1	All Twins	1 9
H6	E5376	Washer for stud	2	All Twins	3
H7	E3224	Nut for stud	2	All Twins	5
H8	T2012	Crankcase to engine plate stud (rear) top and middle	2	All Twins	1 9



CLASSIC
BIKE SPARES

PLATE H

PLATE No.	PART No.	DESCRIPTION	QTY.	MODEL	PRICE EACH
					£ s. d.
H9	E5376	Washer for stud	4	All Twins	3
H10	E3224	Nut for stud (rear) middle	2	All Twins	5
H10	E3224A	Nut for stud (rear) top	2	All Twins	5
H11	16317	Front and rear engine plate to frame bolt	6	All Twins	11
H12	E5376	Washer for bolt	12	All Twins	3
H13	E3224	Nut for bolt	6	All Twins	5
CRANKCASE TO ENGINE PLATE AND ENGINE PLATE TO FRAME BOLTS AND NUTS (see also page 37)					
—	13040	Engine plate to frame stud (top front) ...	1	All Singles	1 9
—	21795	Distance tube for stud	1	All Singles	6
—	11809	Washers for stud	2	All Singles	3
—	E3227	Nuts for stud	2	All Singles	6
—	23158	Engine plate to frame stud (bottom front)	1	All Singles	1 6
—	23157	Distance tube for stud	1	All Singles	1 0
—	E5456	Washers for stud	2	All Singles	3
—	E3223	Nuts for stud	2	All Singles	5
—	E3166	Crankcase to engine plate studs (front) (top and middle)	2	All Singles	1 9
—	E5377	Washers for studs		All Singles	3
—	E3238	Nuts for studs	4	All Singles	6
—	19666	Crankcase to engine plate and frame stud (bottom)	4	All Singles	1 9
—	E5376	Washers for stud	2	All Singles	3
—	E3224	Nuts for stud	2	All Singles	3
—	E4256	Crankcase to engine plate bolt (rear) (top)	1	All Singles	1 9
—	E5377	Washers for bolt	2	All Singles	3
—	13459	Nut for bolt	1	All Singles	5
—	E3214	Crankcase to engine plate stud (rear) (middle)	1	All Singles	1 9
—	E5456	Washers for stud	2	All Singles	3
—	E3223	Nuts for stud	2	All Singles	5
—	22024	Crankcase to engine plate stud (rear) (bottom)	1	All Singles	9
—	E5456	Washers for stud	2	All Singles	3
—	E3223	Nuts for stud	2	All Singles	5
—	18649	Bottom frame fixing to engine plate bolts	2	All Singles	1 9
—	E5456	Washers for bolts	4	All Singles	3
—	T2017	Nuts for bolts	2	All Singles	5
—	16317	Front and rear engine plate to frame bolts	4	All Singles	11
—	E5376	Washers for bolts	8	All Singles	3
—	E3224	Nuts for bolts	4	All Singles	5
GEARBOX FIXING BOLTS					
H14	14367	Gearbox top bolt	1	All	4 8
H15	15170	Nut, for top bolt	1	All	2 6
—	16410	Gearbox bottom stud less nut	1	All	1 4
—	11809	Washer, for bottom bolt	1	All	3

PLATE No.	PART No.	DESCRIPTION	QTY.	MODEL	PRICE EACH
—	E3227	Nut, for bottom bolt	1	All	£ s. d. 6
GEARBOX FRONT CHAIN ADJUSTER					
—	H2/314	Gearbox front chain adj. eye bolt and nut	1	All	5 4
H16	E3231	Gearbox front chain adj. nuts	2	All	5
H17	16997	Front chain adj. bolt only	1	All	5 4
FRONT CHAINCASES					
—	20898	Front chaincase inner portion	1	ES2 and 50; 88, 99 Std and D/L	2 17 6
—	23250	Front chaincase inner portion	1	650 Std and D/L	2 17 6
—	21559	Front chaincase outer portion	1	All Singles	3 0 9
—	20914	Front chaincase outer portion	1	All Twins	3 0 9
—	20939	Chaincase spigot washer	1	All	7
—	21439	Chaincase spigot piece	1	All Singles	15 6
—	11790	Chaincase spigot piece dowel	1	All Singles	3
—	21444	Sealing washer for spigot piece	1	All Singles	2
—	20942	Chaincase fixing pin (inner portion) ...	3	All	3
—	19429	Chaincase inner portion rubber grommet	1	ES2, 50; 88, 99 Std and D/L	5
			2	650 Std and D/L	
—	13765	Drain plug	1	All	10
—	13833	Washer for plug	1	All	3
—	14837	Chaincase inspection cover	1	All	2 5
—	E6085	Washer for cover	1	All	3
—	E6055	Chaincase attachment nut	1	All	3 2
—	E6056	Chaincase attachment nut washer ...	1	All	2 8
—	13185	Chaincase sealing rubber band	1	All	10 2
—	E6207	Chaincase footrest tube felt washer ...	1	All	5
H19	20937	Chaincase inner portion support stud ...	1	All	2 6
—	E5380	Washer for stud	2	All	3
H20	E3223	Nut for stud	1	All	5
—	16247	Nut for stud	1	All	7
REAR CHAINGUARD AND FITTINGS					
—	21832	Rear chainguard (top run)	1	All	1 17 10
—	22022A	Fixing bolts for chainguard	2	All	10
—	T2221	Washers for fixing bolts	2	All	2
—	19435	Washers for fixing bolts	4	All	3
—	23574	Nuts for fixing bolts	2	All	4
—	18285	Grommet for chainguard	1	All	5
REAR BRAKE PEDAL AND FITTINGS					
H21	19995	Rear brake pedal	1	All	1 12 5
H22	19996	Spindle for rear brake pedal	1	All	4 0
H23	E3227	Nut for spindle	1	All	6
—	11809	Washer for spindle	1	All	3

PLATE No.	PART No.	DESCRIPTION	QTY.	MODEL	PRICE EACH
					£ s. d.
H24	19997	Distance piece for spindle	1	All	1 5
H25	19976	Stop for spindle	1	All	10
H26	19929	Return spring for pedal	1	All	7
H27	19978	Grease nipple and retaining pin for pedal	1	All	1 9
H28	15819	Brake rod	1	All	4 0
H29	20134	Jaw joint assembly for brake rod ...	1	ES2, 50; 88, 99 Std and D/L	6 4
H29	23439	Jaw joint assembly for brake rod ...	1	650 Std and D/L	6 4
H30	E3255	Pin for jaw joint	1	All	7
H31	17735	Split pin	1	All	1
H32	15821	Brake rod adjuster nut	1	All	4 0
FOOTRESTS AND FITTINGS					
H33	18772	Footrest hanger, right hand	1	All	12 5
H34	18149	Footrest hanger, left hand	1	All	5 9
—	19984	Footrest hanger spindle	2	All	1 9
H35	19983	Footrest rubber	2	All	1 11
H36	14366	Footrest rod	1	All	3 4
H37	E3238	Nut for rod, plain	1	All	6
H38	E3220	Nut for rod, domed	1	All	1 2
H39	E5377	Washer for rod	2	All	3
H40	15641	Distance piece between engine plates ...	1	All Twins	2 4
H41	18268	Footrest tube serrated end, R.H. ...	1	All	5 2
H42	20936	Footrest tube serrated end, L.H. ...	1	All	11 6
PILLION FOOTRESTS					
—	R12.2/584	Pillion footrest c/with all fittings ...	1 pr.	All Twins	2 2 0
—	S.4/584	Pillion footrest c/with all fittings ...	1 pr.	All Singles	2 2 0
H43	18254	Pillion footrest bar	2	All	8 8
H44	16248	Bar pins for pillion footrests	2	All	10
—	18202	Washers for bar pins	2	All	3
—	16250	Thackery washers for bar pins	2	All	2
—	16247	L/nuts for bar pins	2	All	5
—	16244	Lug for pillion footrest	2	All	7 3
H45	22574	Stud, pillion footrest and silencer fixing	2	All Twins	1 2
H45	16246	Stud, pillion footrest and silencer fixing	2	All Singles	1 2
H46	E5376	Washers for lug fixing studs ...	2	All Twins	3
			3	All Singles	
H47	23870	Nut for pillion footrest and silencer fixing studs	2	All	1 9
H48	16249	Rubbers for pillion footrests	2	All	2 0
ENGINE PLATES					
—	23053	Front engine plate	2	All Singles	2 6
H49	15621	Front engine plate	2	All Twins	4 8
—	21752	Front engine plate cover	1	All Singles	1 0
H50	20999	Front engine plate cover	1	All Twins	2 11
—	21522	Rear engine plate, R.H.	1	All Singles	1 5 0
H51	50229	Rear engine plate, R.H.	1	All Twins	1 7 0
—	21520	Rear engine plate, L.H.	1	All Singles	1 3 0

PLATE No.	PART No.	DESCRIPTION	QTY.	MODEL	PRICE EACH
					£ s. d.
H52	20700	Rear engine plate, L.H.	1	All Twins	1 7 0
—	21868	Rear engine plate cover	1	All Singles	1 6
H53	21031	Rear engine plate cover	1	All Twins	5 9
—	19429	Rear engine plate grommet	1	All Singles	5
—	19678	Rear engine plate bolt, R.H.	1	All	9
—	E3223	Nut for bolt	1	All	5
—	E5456	Washer for bolt	1	All	3
ENGINE SPROCKETS					
—	16821	Engine sprocket, 20T	1	ES2	1 3 8
—	16818	Engine sprocket, 17T	1	50	1 3 8
—	T2180C	Engine sprocket, 19T	1	88 Std and D/L	1 3 8
—	T2180D	Engine sprocket, 20T	1	99 Std and D/L	1 3 8
—	T2180E	Engine sprocket, 21T	1	650 Std and D/L	1 3 8
—	E3682	Key for sprocket	1	All	3
N.B.—Engine sprockets are available:- Twins 17T to 23T inclusive and Singles 16T to 23T inclusive. State number of teeth when ordering.					
CHAINS					
—	22736	Front chain, 74 link	1	Mod 50 and 99 Std S/car use Nett	1 13 4
—	18265	Front chain, 75 link	1	ES2, 88, 99 Std and D/L Nett	1 13 10
—	17835	Front chain, 76 link	1	650 Std and D/L Nett	1 14 3
—	18563	Rear chain, 97 link	1	Mod 50, 88, 650 Std and D/L Nett	3 3 9
—	18095	Rear chain, 98 link	1	ES2, 99 Std and D/L Nett	3 4 5
—	A2/480	Front chain crank link	1	All	1 7
—	A2/479	Front chain spring link	1	All	11
—	A2/482	Rear chain crank link	1	All	2 3
—	A2/481	Rear chain spring link	1	All	1 3
REAR CHAIN ADJUSTERS					
—	19264	Rear wheel chain adjuster bolt	2	All	1 4
—	E3229	Nut for bolt	2	All	5
FRAMES					
—	23052	Frame	1	ES2 and 50	29 15 0
H54	23211	Frame	1	88, 99, 650 Std	29 15 0
H54	23205	Frame	1	88, 99, 650 D/L	30 0 0
—	22576	Frame distance tube (top rear)	1	88, 99, 650 D/L	3 0
H55	21099	Frame distance tube (top rear)	1	ES2, 50, 88, 99, 650 Std	1 6
H56	21134	Stud for distance tube	1	All	1 6
H57	E5376	Washers for distance tube studs	4	ES2, 50, 88, 99, 650 Std	3
			2	88, 99, 650 D/L	

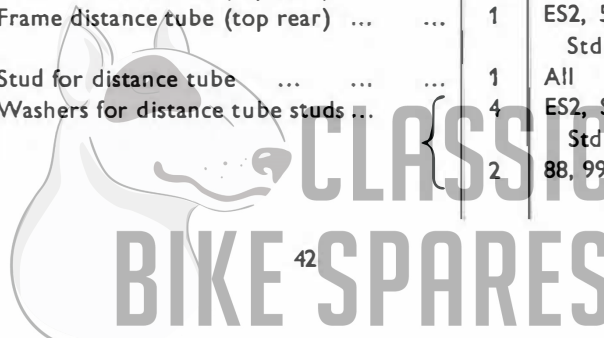


PLATE No.	PART No.	DESCRIPTION	QTY.	MODEL	PRICE EACH
H58	E3224A	Nuts for stud	2	All	£ s. d. 5
—	22637	Headlug cover	1	All	4 0
H59	23573	Fixing screws for cover	2	All	6
—	13192	Washers for fixing screws	2	All	3
H60	18263	Frame headlug bearing	2	All	1 0 9
H61	15631	Felt washer for bearing	2	All	5
—	17429	Headlug bearing washer	2	All	6
H62	20126	Gusset plate cover	1	ES2, 50, 88, 99, 650 Std	1 9
H63	15844	Cross tube rear engine fixing	1	All	16 10
H64	15893	Rod for cross tube	1	All	2 8
H65	13459	Nut for rod	2	All	6
H66	E5377	Washer for rod	2	All	3
SWINGING ARM					
—	R12-2/1088	Swinging arm c/with bushes and spacer (less rod and nuts)	1	All	7 18 2
H67	22586	Swinging arm only	1	All	6 13 10
H68	20083	"Silent Bloc" bearing	2	All	10 2
H69	18578	Spacer tube for bearing	1	All	4 0
H70	15894	Swinging arm rod	1	All	5 4
H71	15356	Nut for rod	2	All	10
H72	11809	Washer for rod	2	All	3
REAR SUSPENSION UNITS					
H73	22581	Rear shock absorber unit (Solo)	2	ES2, 50, 88, 99 Std and D/L Nett	2 17 0
H73	24035	Rear shock absorber unit (Solo)	2	650 Std and D/L Nett	2 17 0
H73	22811	Rear shock absorber unit (Sidecar)	2	All Nett	2 17 0
H74	22674	Top fixing bolt for shock absorbers	2	All	2 3
H75	E5376	Washers for top fixing bolts	4	All	3
H76	E3224	Nuts for top fixing bolts	2	All	5
H77	22655	Bottom fixing bolts for shock absorbers	2	All	2 3
H78	11796	Washers for bottom fixing bolts	4	All	3
H79	E3223	Nuts for bottom fixing bolts	2	All	5
CENTRE STAND					
H80	17175	Centre stand	1	All	1 13 9
H81	16763	Centre stand bolts	2	All	11
H82	16764	Nut for bolt	2	All	5
H83	16411	Spring for stand	1	All	2 8
H84	23494	Clip for spring	1	All	10
—	17591	Rubber stop	1	All	7
—	E5278	Pin for stop	1	All	7
H85	19255	Anchor stud for spring	1	All	2 5
H86	E5380	Washer for stud (thick)	1	ES2 and 50 88, 99, 650 Std and D/L	3
H87	E5456	Washer for stud (thin)	1	88, 99, 650 Std and D/L	
H88	E3223	Nut for stud	1	All	5

PLATE No.	PART No.	DESCRIPTION	QTY.	MODEL	PRICE EACH
					£ s. d.
		SIDE PROP STAND AND FITTINGS			
H89	18750	Side prop stand leg	1	All	15 6
H90	18275B	Side prop stand clip lug front	1	All	8 10
H91	18605	Side prop stand clip lug rear	1	All	10 2
H92	16373	Clip lug and spring fixing stud	1	All	2 8
H93	11824	Nut for fixing stud	1	All	1 9
H94	16374	Clip lug stud	1	All	1 4
H95	E3224	Nut for stud	1	All	5
H96	16174	Fulcrum pin	1	All	1 2
H97	16176	Prop stand return spring	1	All	2 8
		FRONT MUDGUARDS			
—	22677	Front mudguard	1	88, 99, 650 D/L	1 15 0
—	19362	Front mudguard	1	88, 99, 650 Std; ES2 and 50	17 3
—	19291	Front mudguard stay	4	All	4 0
—	18710	Bolt stay to mudguard	4	All	5
—	18711	Washer for bolt	4	All	3
—	E5379	Washer for bolt	4	All	3
—	13192	Packing washer for bolt	4	All	3
—	E3229	Nut for bolt	4	All	5
—	18854	Bolt stay to fork end	4	All	10
—	11796	Washer for bolt	4	All	3
—	19282	Front mudguard centre stay	1	All	4 0
—	18709	Bolt centre stay to mudguard	2	All	11
—	18711	Washer for bolt	2	All	3
—	E5379	Washer for bolt	2	All	3
—	11796	Washer for bolt	2	All	3
—	E3229	Nut for bolt	2	All	5
—	T1085	Stud centre stay to fork end	4	All	7
—	E5379	Washer for stud	4	All	3
—	E3229	Nut for stud	4	All	5
		REAR MUDGUARDS (Standard Models)			
—	23252	Rear mudguard, complete	1	88, 99, 650 Std; ES2 and 50	3 5 0
—	12342	Bottom fixing bolts for rear mudguard	2	88, 99, 650 Std; ES2 and 50	6
—	E5379	Washers for bottom fixing bolts	4	88, 99, 650 Std; ES2 and 50	3
—	E3229	Nuts for bottom fixing bolts	2	88, 99, 650 Std; ES2 and 50	5
—	22673	Studs for rear mudguard support	2	88, 99, 650 Std; ES2 and 50	1 6
—	22635	Spacer tube for above studs	2	88, 99, 650 Std; ES2 and 50	9
—	22636	Washers for mudguard support studs (large)	2	88, 99, 650 Std; ES2 and 50	6

PLATE No.	PART No.	DESCRIPTION	QTY.	MODEL	PRICE EACH
					£ s. d.
—	E5376	Washers for mudguard support studs ...	4	88, 99, 650 Std; ES2 and 50	3
—	E3224	Nuts for mudguard support studs ...	4	88, 99, 650 Std; ES2 and 50	5
—	22634	Lifting handle for rear mudguard, L.H. ...	1	88, 99, 650 Std; ES2 and 50	5 4
—	22633	Lifting handle for rear mudguard, R.H. ...	1	88, 99, 650 Std; ES2 and 50	5 4
—	14481	Fixing bolts for lifting handles ...	4	88, 99, 650 Std; ES2 and 50	9
—	E5379	Washers for fixing bolts ...	8	88, 99, 650 Std; ES2 and 50	3
—	E3229	Nuts for fixing bolts ...	4	88, 99, 650 Std; ES2 and 50	5
—	19429	Grommet for rear mudguard ...	2	88, 99, 650 Std; ES2 and 50	5
—	14490	Rear lamp lead clip ...	1	88, 99, 650 Std; ES2 and 50	7
REAR MUDGUARDS (88, 99, 650 De Luxe)					
—	23221	Rear mudguard tail portion ...	1	88, 99, 650 D/L	5 10 0
—	21974	Distance pieces for tail portion ...	2	88, 99, 650 D/L	9
—	15900	Fixing bolts for tail portion ...	2	88, 99, 650 D/L	1 4
—	E5456	Washers for fixing bolts ...	2	88, 99, 650 D/L	3
—	E3223	Nuts, for fixing bolts ...	2	88, 99, 650 D/L	5
—	21321	Tail stay for rear mudguard ...	1	88, 99, 650 D/L	6 0
—	23251	Bolts for tail stay and shock absorber top fixing ...	2	88, 99, 650 D/L	2 6
—	22635	Spacer tubes for tail stay and dual seat support bolts ...	2	88, 99, 650 D/L	9
—	E5376	Washers for fixing bolts ...	4	88, 99, 650 D/L	3
—	E3224	Nuts for fixing bolts ...	2	88, 99, 650 D/L	5
—	21346	Tail stay clip ...	1	88, 99, 650 D/L	8
—	19432	Bolts for tail stay clip ...	1	88, 99, 650 D/L	6
—	ES380	Washers for clip bolts ...	2	88, 99, 650 D/L	3
—	19971	Nut for clip bolt ...	1	88, 99, 650 D/L	7
—	22689A	Spray baffle for rear mudguard ...	1	88, 99, 650 D/L	2 0
—	22667	Rear mudguard front portion ...	1	88, 99, 650 D/L	12 6
—	12342	Bolts for mudguard front portion bottom fixing ...	2	88, 99, 650 D/L	6
—	E5379	Washers for bottom fixing bolts ...	4	88, 99, 650 D/L	3
—	E3229	Nuts for bottom fixing bolts ...	2	88, 99, 650 D/L	5
—	12342	Bolt, mudguard front portion to top rear distance tube ...	1	88, 99, 650 D/L	6
—	E5379	Washers for front portion to distance tube bolt ...	2	88, 99, 650 D/L	3
—	E3229	Nut for bolt ...	1	88, 99, 650 D/L	5
—	22255	Lifting handle for rear mudguard ...	1	88, 99, 650 D/L	3 6
—	12342	Fixing bolt for handle ...	1	88, 99, 650 D/L	6
—	E5379	Washers for fixing bolt ...	2	88, 99, 650 D/L	3
—	E3229	Nut for fixing bolt ...	1	88, 99, 650 D/L	5

PLATE No.	PART No.	DESCRIPTION	QTY.	MODEL	PRICE EACH
		SIDE PANELS			£ s. d.
—	22766	Side panel assembly, left hand	1	88, 99, 650 D/L	1 5 0
—	22693	Side panel assembly, right hand	1	88, 99, 650 D/L	1 5 0
—	22467	Side panel fasteners (DZUS A6-60) (large) (side panel to tail portion)	2	88, 99, 650 D/L	2 0
—	22468	Side panel fastener (DZUS A6-35) (small) (side panel to frame)	4	88, 99, 650 D/L	1 10
—	22469	Wire circlip for fastener (DZUS A6)	6	88, 99, 650 D/L	1
—	22470	Springs for DZUS fasteners on tail portion and frame	6	88, 99, 650 D/L	8
—	22879	Rivets for above springs	12	88, 99, 650 D/L	1
		NUMBER PLATES			
—	18706	Front number plate	1	All	4 0
—	18755	Rubber for front number plate	1	All	11
—	18708	Stanchion for number plate	1	All	11
—	23216	Nut for stanchion	2	All	4
—	E5379	Washer for stanchion	2	All	3
—	18712	Screw for number plate fixing	2	All	3
—	19343	Rear number plate with cuff	1	88, 99, 650 Std; ES2 and 50	16 10
—	20965	Beading for number plate	1	88, 99, 650 Std; ES2 and 50	1 9
—	13053	Fixing stud for rear number plate	2	88, 99, 650 Std; ES2 and 50	7
—	11796	Washer for stud	2	88, 99, 650 Std; ES2 and 50	3
—	E3231	Nut for stud	2	88, 99, 650 Std; ES2 and 50	5
—	21630	Rear number plate	1	88, 99, 650 D/L	3 0
—	14468	Screws for rear number plate fixing	2	88, 99, 650 D/L	7
—	E5379	Washers for fixing screws	4	88, 99, 650 D/L	3
—	E3229	Nuts for fixing screws	2	88, 99, 650 D/L	5
		TOOL TRAYS			
H98	22638A	Tool tray	1	88, 99, Std and D/L; ES2 and 50	12 6
H98	23893	Tool tray	1	650 Std and D/L	12 6
—	12342	Fixing bolt for tool tray	3	All	6
—	E5379	Washers for fixing bolts	5	All	3
—	17698	Washers for fixing bolts	1	All	3
—	E3229	Nuts for bolts	3	All	5
		BATTERY BOX AND FITTINGS			
—	23899	Battery (Exide 3EV9)	1	88, 99, 650 D/L Nett	2 17 6
—	4084107	Battery (Lucas)	1	88, 99, 650 Std; ES2 and 50 Nett	2 4 0
—	850401	Spade terminal for battery	1	88, 99, 650 D/L Nett	2

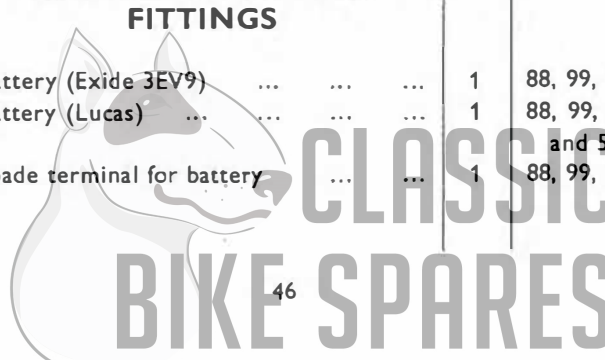


PLATE No.	PART No.	DESCRIPTION	QTY.	MODEL	PRICE EACH
					£ s. d.
—	R12.2/586	Battery box, complete with lid and knobs, 1961 Singles, 1960/61 Twins	1	88, 99, 650 Std; ES2 and 50	1 13 9
—	19189	Battery box lid (only)	1	88, 99, 650 Std; ES2 and 50	5 9
—	19195	Knob for lid	2	88, 99, 650 Std; ES2 and 50	2 0
—	11796	Washer for knob	2	88, 99, 650 Std; ES2 and 50	3
—	17735	Split pin for knob	2	88, 99, 650 Std; ES2 and 50	1
—	19086	Platform for battery	1	88, 99, 650 Std; ES2 and 50	2 0
—	19093	"U" bolt for battery fixing	1	88, 99, 650 Std; ES2 and 50	2 0
—	19101	Retaining strap for battery	1	88, 99, 650 Std; ES2 and 50	11
—	17707	Washer for "U" bolt	2	88, 99, 650 Std; ES2 and 50	2
—	E3221	Nut for "U" bolt	2	88, 99, 650 Std; ES2 and 50	5
—	15689	Rubber grommet	1	88, 99, 650 Std; ES2 and 50	7
—	14481	Top fixing bolt for battery box	1	88, 99, 650 Std; ES2 and 50	9
—	E5379	Washer for top fixing bolt	3	88, 99, 650 Std; ES2 and 50	3
—	E3229	Nut for top fixing bolt	1	88, 99, 650 Std; ES2 and 50	5
—	19092	Bolt for battery box bottom fixing	2	88, 99, 650 Std; ES2 and 50	6
—	E5456	Washer for bottom fixing bolt	2	88, 99, 650 Std; ES2 and 50	3
—	22603	Battery tray assembly	1	88, 99, 650 D/L	6 6
—	19092	Bolts for battery tray bottom fixing	2	88, 99, 650 D/L	6
—	E5456	Washers for bottom fixing bolts	2	88, 99, 650 D/L	3
—	E3223	Nuts for bottom fixing bolts	2	88, 99, 650 D/L	5
—	21032	Retaining strap for battery	1	88, 99, 650 D/L	1 6
—	23958	Screws for retaining strap	2	88, 99, 650 D/L	4
DUALSEAT AND FITTINGS					
—	23279	Dualseat (1961)	1	All	6 10 0
—	23926	Dualseat (1962)	1	All	6 10 0
—	21851	Rubber bush for dualseat	2	All	1 5
—	21852	Rubber button for dualseat	2	All	9
—	23151	Rubber washer for locating peg on frame	A/R	All	3
—	23151A	Rubber washer for locating peg on frame	A/R	All	4
—	23265	DZUS fastener for dualseat (DZUS AJ6- 60/13)	1	All	2 0
—	23264	Grommet for DZUS fastener (DZUS GA6- 350) (aluminium)	1	All	4
—	23153	Rubber washer for DZUS fastener	1	All	3

PLATE No.	PART No.	DESCRIPTION	QTY.	MODEL	PRICE EACH
—	22470	Spring for DZUS fasteners on tail portion, or rear mudguard, for dualseat attachment (DZUS 1-90)	1	All	8
—	22879	Rivets for above springs	2	All	1
SPEEDOMETERS					
—	19364	Speedometer head (120 m.p.h.)	1	ES2, 50; 88, 99 Std and D/L Nett	4 10 0
—	23375	Speedometer head (150 m.p.h.)	1	650 Std and D/L Nett	4 10 0
—	B2/555	Speedometer fixing bracket	1	All	2 0
—	B2/556	Fixing bracket locknut	2	All	5
—	B2/557	Washer for bracket	2	All	3
—	19367	Speedometer cable	1	All Nett	1 2 6
—	L4/554	Inner cable	1	All Nett	11 3
—	L4/553	Outer cable	1	All Nett	11 3
—	22888	Speedometer drive gearbox	1	All Nett	1 17 6
—	19365	Speedometer head (180 k.p.h.)	1	ES2, 50; 88, 99 Std and D/L Nett	4 10 0
—	23639	Speedometer head (k.p.h.)	1	650 Std and D/L Nett	4 10 0
—	B2/681	Rubber ring for head	1	All	7
ELECTRICAL EQUIPMENT					
ELECTRIC HORN					
—	70140A	Electric horn (1961)	1	ES2, 50; 88, 99 Std and D/L Nett	1 19 6
—	E3229	Fixing bolt nut (1961)	2	88, 99 Std and D/L	5
—	E5379	Washer for fixing bolt (1961)	2	88, 99 Std and D/L	3
—	20155	Fixing plate, tapped (1961)	1	All Singles	1 9
—	70163A	Electric horn (1962)	1	All Nett	1 7 6
—	23389	Fixing screws for horn (1962)	2	All	9
—	23410	Washers for screws (1962)	2	All	1
—	E3221	Nuts for fixing screws (1962)	2	All	5
—	54680850	Horn bracket (1962)	1	All Nett	2 6
IGNITION COIL					
—	45077E	Coil, complete	1	All Nett	1 15 0
—	21014	Clip for coil	1	All	10
—	14481	Bolt for clip	1	All	9
—	17698	Washer for bolt	1	ES2, 50; 88, 99 Std and D/L	3
—	10914	Washer for bolt	1	650 Std and D/L	5
—	E5379	Washer for bolt	1	650 Std and D/L	3
—	E3229	Nut for clip bolt	1	All	5
—	166043	Terminal nut	2	All Nett	2
—	188330	Shakeproof washer	2	All Nett	1
—	131023	Plain washer	2	All Nett	2
—	421863	Cable clip	1	All Nett	2
—	421554	Rubber grommet	1	All Nett	5



PLATE No.	PART No.	DESCRIPTION	QTY.	MODEL	PRICE EACH
					£ s. d.
ALTERNATOR AND RECTIFIER					
—	47122A	Stator (1961)	1	ES2, 50; 88, 99 Std and D/L Nett	4 6 9
—	423506	Rotor (1961)	1	ES2, 50; 88, 99 Std and D/L Nett	5 0 9
—	47181	Stator (1962)	1	All Nett	3 12 0
—	54213901	Rotor (1962)	1	All Nett	4 2 6
—	20691	Stator fixing stud (1961)	3	ES2, 50; 88, 99 Std and D/L	10
—	21433	Stator fixing stud (1962)	3	All	10
—	17698	Washer for stud	3	All	3
—	E3229	Nuts for stud	3	All	5
—	20948	Key for rotor	1	All	3
—	19147	Washer for rotor	1	All	3
—	465909	Nut for rotor	1	All Nett	1 9
—	21440	Distance piece for rotor (1961)	1	All Singles	1 6
—	23910	Distance piece for rotor (1962)	1	All Singles	2 0
—	23738	Distance piece for rotor (1962)	1	88, 99, 650 Std and D/L	9
—	47132B	Rectifier	1	All Nett	2 6 0
—	22926	Nut for rectifier fixing	1	All	1 0
—	10914	Washer (large) for nut	2	All	5
—	18202	Washer (fan disc) for nut	1	All	3
—	133264	Screw for rectifier cable fixing	3	All Nett	2
—	166094	Nut for fixing screw	3	All Nett	2
—	154409	Washer for fixing screw	3	All Nett	3
—	24327	Rectifier earth lead	1	650 Std and D/L	1 6
DISTRIBUTOR PARTS					
ALL PRICES RETAIL NETT					
—	40628A/B	Distributor, complete, 18D1	1	All Singles	4 13 6
—	40589A/D	Distributor, complete, 18D2	1	All Twins	4 13 6
—	425049	Distributor cap assembly	1	All Twins	9 9
—	424151	Distributor cap assembly	1	All Singles	3 3
—	404435	Distributor cap carbon brush and spring	1	All Twins	6
—	188639	Distributor rubber ring	1	All Twins	1 3
—	188643	Distributor oil seal	1	All Twins	4 9
—	424158	Distributor cap retaining spring clip	2	All	7
—	423486	Rotor arm	1	All Twins	3 0
—	425219	Contact breaker set	1 set	All	7 0
—	54410823	Condenser assembly	1	All	7 0
—	842185	Distributor H.T. lead (short)	1	88, 99 Std; 650 Std and D/L	7
—	842187	Distributor H.T. lead (medium)	1	ES2, 50, 88, 99 Std; 650 Std and D/L	7
—	842189	Distributor H.T. lead (long)	2	88, 99 D/L	7
—	24012	Distributor H.T. lead (long)	1	88, 99 Std and D/L	1 0
—	54941565	Distributor H.T. lead	1	650 Std and D/L	10
—	421863	H.T. lead contact clip	1	All Singles	2
			4	All Twins	

PLATE No.	PART No.	DESCRIPTION	QTY.	MODEL	PRICE EACH
—	421554	Distributor terminal rubber cover	1	All Singles	£ s. d. 5
—	21064	Clip for H.T. lead	3	All Twins	6
—	24326	Contact breaker lead	1	650 Std and D/L	1 6
HEADLAMPS DIPPER AND HORN SWITCH					
—	58374B	Headlamp c/with switch and ammeter (less harness) green	1	ES2	Nett 7 15 6
—	58404A	Headlamp c/with switch and ammeter (less harness) black	1	50	Nett 7 15 6
—	58583A	Headlamp c/with switch and ammeter (less harness) green	1	88 Std	Nett 7 15 6
—	58156B	Headlamp c/with switch and ammeter (less harness) red	1	88 D/L	Nett 7 15 6
—	58124B	Headlamp c/with switch and ammeter (less harness) grey	1	99, 650 Std	Nett 7 15 6
—	58584A	Headlamp c/with switch and ammeter (less harness) blue	1	99, 650 D/L	Nett 7 15 6
—	517247	Headlamp shell only, red	1	88 D/L	Nett 2 9 0
—	517237	Headlamp shell only, green	1	99, 650 Std	Nett 2 6 0
—	54520300	Headlamp shell only, green	1	88 Std; and ES2	Nett 2 9 0
—	517238	Headlamp shell only, black	1	50	Nett 2 6 0
—	54520844	Headlamp shell only, blue	1	99, 650 D/L	Nett 2 6 0
—	54940852	Wiring harness (1961)	1	ES2 and 50	Nett 17 7
—	54930207	Wiring harness (1962)	1	ES2 and 50	Nett 1 1 6
—	865001	Wiring harness (1961)	1	88, 99, 650 Std and D/L	Nett 11 7
—	54930203	Wiring harness (1962)	1	88, 99, 650 Std and D/L	Nett 17 6
—	516798	Headlamp light unit	1	Mod 50 and 88 D/L	Nett 18 0
—	S55309	Headlamp light unit	1	ES2, 88 Std; 99, 650 Std and D/L	Nett 18 0
—	554602	Bulb holder (main)	1	All	Nett 2 9
—	554710	Bulb holder (pilot)	1	All	Nett 3 4
—	31443E	Switch	1	All	Nett 1 18 6
—	318346	Switch handle	1	All	Nett 3 6
—	319333	Screw for switch handle	1	All	Nett 1 6
—	318341	Switch Key	1	All	Nett 10
—	318323	Switch lever grommet	1	All	Nett 7
—	553248	Headlamp rim or door	1	All	Nett 18 0
—	36084F	Ammeter	1	All	Nett 11 6
—	523986	Rubber sealing ring for ammeter	1	All	Nett 7
—	397092	Headlamp "Lucas" medallion	1	All	Nett 2 0
—	112201	Headlamp fixing bolts	2	All	Nett 3 3
—	137499	Washers for fixing bolts	2	All	Nett 3
—	31563A	Dipper and horn switch	1	All	Nett 12 0
—	18733	Rubber for dipper and horn switch	1	All	Nett 10
—	18734	Screws for dipper and horn switch	2	All	Nett 3

PLATE No.	PART No.	DESCRIPTION	QTY.	MODEL	PRICE EACH
					£ s. d.
STOP AND TAIL LAMP AND FITTINGS					
—	53432B	Stop and tail lamp, complete (Mod 564)	1	All	Nett 1 6 0
—	573839	Lens	1	All	Nett 5 0
—	575200	Window	1	All	Nett 2 6
—	575219	Nut, barrel, lens fixing	2	All	Nett 7
—	575208	Gasket, lens seating	1	All	Nett 1 6
—	576002	Base, assembly	1	All	Nett 9 9
—	575207	Grommet, bulbholder	1	All	Nett 1 0
—	575209	Bulbholder assembly, shell	1	All	Nett 2 3
—	573828	Interior, bulbholder	1	All	Nett 1 3
—	573825	Grommet, cable	1	All	Nett 1 0
—	166014	Nut, lamp fixing	2	All	Nett 3
—	188327	Washer, shakeproof	2	All	Nett 1
—	131023	Washer, fixing bolt, spacer	2	All	Nett 2
—	31383/B	Stop lamp switch	1	All	Nett 8 6
—	22568	Stop lamp switch bracket	1	All	Nett 1 9
—	E5278	Switch fixing pins	2	All	Nett 7
—	17904	Washer for pins	4	All	Nett 3
—	E3221	Nut for pins	2	All	Nett 5
—	20248	Stop lamp brake switch lead	1	All	Nett 1 11
—	20245	Stop tail lamp lead	1	All	Nett 4 5
—	22807	Fixing bolt for switch bracket	1	All	Nett 1 0
—	E5376	Washers for fixing bolt	2	All	Nett 3
—	E3224A	Nut for fixing bolt	1	All	Nett 5
SPARKING PLUG AND COVERS					
—	18464	Sparking plug cover (Export orders) }	1	All Singles }	Nett 2 0
			2	All Twins }	
—	18465	Sparking plug cover c/with suppressor (Home orders) }	1	All Singles }	Nett 2 6
			2	All Twins }	
—	19451	Sparking plug (FE80)	1	All	Nett 5 0
TOOL KITS					
—	KTU/102	Tool roll c/with tools Kit comprises:—	1	All Singles	1 15 2
—	TRU/42	Tool kit bag	1	All Singles	3 0
—	SPU/160	Tappet spanners	2	All Singles	2 0
—	DWU/01	Screwdriver	1	All Singles	1 4
—	SFU.2/212	$\frac{1}{4}$ " \times $\frac{3}{16}$ " spanner	2	All Singles	2 0
—	PEU/06B	Pliers, 6"	1 pr.	All Singles	5 9
—	LTU/07	Tyre levers	2	All Singles	1 6
—	SBU.2/88	Sparking plug spanner	1	All Singles	2 2
—	SBU.2/76	$\frac{7}{16}$ " \times $\frac{1}{2}$ " box spanner	1	All Singles	3 3
—	TBU/01	Tommy bar, $\frac{5}{16}$ " \times $6\frac{1}{2}$ "	1	All Singles	7
—	TBU/47	Tommy bar, $\frac{7}{16}$ " \times 8"	1	All Singles	2 1
—	SFU.2/214	$\frac{5}{16}$ " \times $\frac{3}{8}$ " open ended spanner	1	All Singles	3 0
—	SPU.1/01	Cable adjuster spanner	1	All Singles	1 5
—	20648	Box spanner for rear wheel nut	1	All Singles	1 11

PLATE No.	PART No.	DESCRIPTION	QTY.	MODEL	PRICE EACH
—	SCU.43	Allen key	1	All Singles	£ s. d. 1 2
—	18976	S/A adjuster spanner	1	All Singles	1 6
—	21267	Screwdriver for contact points	1	All Singles	9
—	KTU/103	Tool roll c/with tools	1	All Twins	1 10 8
		Kit comprises:—			
—	TRU/42	Tool kit bag	1	All Twins	3 0
—	DWU.01	Screwdriver	1	All Twins	1 4
—	SFU.2/212	$\frac{1}{4}$ " \times $\frac{3}{16}$ " spanners	1	All Twins	2 0
—	PEU/06B	Pliers, 6"	1 pr.	All Twins	5 9
—	LTU/07	Tyre levers	2	All Twins	1 6
—	SBU.2/88	Sparking plug spanner	1	All Twins	2 2
—	SBU.2/76	$\frac{7}{16}$ " \times $\frac{1}{2}$ " box spanner	1	All Twins	3 3
—	TBU/01	Tommy bar, $\frac{5}{16}$ " \times $6\frac{1}{2}$ "	1	All Twins	7
—	TBU/47	Tommy bar, $\frac{7}{16}$ " \times 8"	1	All Twins	2 1
—	SPU.2/20	Rocker adjuster spanner	1	All Twins	1 4
—	SFU.2/214	$\frac{5}{16}$ " \times $\frac{3}{8}$ " open ended spanner	1	All Twins	3 0
—	20648	Box spanner for rear wheel nut	1	All Twins	1 11
—	SCU/43	Allen key	1	All Twins	1 2
—	18976	S/A adjuster spanner	1	All Twins	1 6
—	21267	Screwdriver for contact points	1	All Twins	9
SUNDRIES					
—	18240	Tyre inflator	1	All	7 6
GASKET SETS					
—	M4/1062	Engine de-coke and overhaul set	A/R	ES2	8 6
—	M13/1062	Engine de-coke and overhaul set	A/R	50	8 6
—	D12/1062	Engine overhaul set	A/R	All Twins	1 1 0
—	D12/1063	Engine de-coke set	A/R	All Twins	10 5
PAINT					
ALL PRICES RETAIL NETT					
—		Synthetic Air Drying Enamel is available for re-touching in the following colours: Polychromatic Grey, Dove Grey, Forest Green, Norton Red and Tunisian Blue			
				Small Tins	Nett 4 0
				Half pint Tins	Nett 8 0
				1 Pint Tins	Nett 15 0
				1 Gallon Tins	Nett 4 4 0
TRANSFERS					
—	21467	Oil tank transfer (recommended oil level)	1	ES2, 50, 88, 99, 650 Std	1 6
—	17731	Oil bath transfer	1	All	1 6
—	19555	Rear mudguard transfer	1	ES2	1 6
—	19557	Rear mudguard transfer	1	50	1 6
—	19558	Rear mudguard transfer	1	88 Std	1 6
—	19559	Rear mudguard transfer	1	99 Std	1 6

PLATE No.	PART No.	DESCRIPTION	QTY.	MODEL	PRICE EACH
—	24025	Rear mudguard transfer	1	650 Std	£ s. d. 1 6
—	22417	Transfer for rear number plate (Pat. No. 629917)	1	88, 99, 650 D/L	1 6
—	18940	Transfer (Registered Design)	1	All	1 6
CABLE CLIPS					
—	19091	Cable clip (size C), speedo cable to frame	1	All	5
—	17752	Cable clip (size S), stop and tail leads ...	13	All	7
—	19090	Cable clip (size F), throttle, air and clutch cables to frame	2	All	5
—	18489	Cable clip (size D), throttle and air cables and tail lamp leads to frame	{ 2	88, 99, 650 Std	} 5
			{ 4	88, 99, 650 D/L	
—	14490	Cable clip, rev. counter cable to frame ...	1	88ss, 650ss	7



SUPPLEMENTARY LIST

for

1961/62 Models 88ss, 99ss and 650ss

**Parts not here listed will be found in the main body of the
list and are as fitted to 88, 99 and 650 Standard Models**



PLATE No.	PART No.	DESCRIPTION	QTY.	MODEL	PRICE EACH
					£ s. d.
		MODELS 88ss, 99ss & 650ss			
		Parts not listed below are as Standard 88, 99 and 650 Models			
		ROCKER BOX FITTINGS			
—	E3218	Domed nut for rocker breather and rear cap	1	88, 650ss	7
—	T2082	Washer for domed nut and sleeve ...	1	88, 650ss	3
—	T1084	Washer for breather banjo	1	88, 650ss	3
—	18094	Rocker box cap (rear)	1	88, 650ss	10 2
—	T2084	Sealing washer for rear cap	1	88, 650ss	7
—	23427	Sleeve for rear cap	1	88, 650ss	1 0
—	23478	Banjo assembly for rocker breather ...	1	88, 650ss	6 0
—	23900	Rocker breather rubber pipe	1	88, 650ss	1 0
—	23426	Stud for rear cap	1	88, 650ss	1 3
—	13937	Dowell for rear cap	1	88, 650ss	7
		CARBURETTER ATTACHMENT			
—	23874	Inlet port sleeves	2	1962, 88ss and 650ss	1 6
—	23358	Distance pieces (thin)	2	1962, 88ss and 650ss	1 0
—	23872	Distance pieces (thick)	2	1962, 88ss and 650ss	14 0
—	23873	Balance unions	2	1962, 88ss and 650ss	2 6
—	11775	Washers for unions	2	1962, 88ss and 650ss	2
—	23875	Balance pipe (rubber)	2	1962, 88ss and 650ss	1 0
—	23395	Carburetter fixing screws	2	1962, 88ss and 650ss	1 6
—	23563	Carburetter fixing studs	2	1962, 88ss and 650ss	9
—	11796	Washers for screws	2	1962, 88ss and 650ss	3
—	24373	Tab washers for carb. fixing studs ...	2	1962, 88ss and 650ss	3
—	E3231	Nuts for studs	2	1962, 88ss and 650ss	5
—	23739	Inlet manifold	1	1961, 88ss and 61/62, 99ss	1 17 2
—	18035	Manifold to head fixing studs	4	1961, 88ss and 61/62, 99ss	7
—	T2221	Washers for fixing studs	4	1961, 88ss and 61/62, 99ss	3
—	13145	Nuts for studs	4	1961, 88ss and 61/62, 99ss	3
—	21572A	Distance piece for manifold	2	1961, 88ss and 61/62, 99ss	3 4
—	20344	Studs, carburetter to manifold	4	1961, 88ss and 61/62, 99ss	7
—	11796	Washers for studs	4	1961, 88ss and 61/62, 99ss	3
—	E3231	Nuts for studs	4	1961, 88ss and 61/62, 99ss	5
—	S650/136	Cylinder head c/with valve guides ...	1	1961, 88ss and 1962 650ss	19 0 0

CYLINDER HEAD AND BARREL

CLASSIC BIKE SPARES

PLATE No.	PART No.	DESCRIPTION	QTY.	MODEL	PRICE EACH
—	88ss/136	Cylinder head c/with valve guides ...	1	1961, 88ss and 61/62, 99ss	£ s. d. 18 18 0
—	20712B	Cylinder barrel	1	88ss	10 2 8
—	23263	Cylinder barrel	1	650ss	10 10 0
—	22709D	Cylinder barrel	1	99ss	10 6 0
VALVE SPRINGS					
—	22839	Valve spring (inner)	4	88ss, 99ss and 650ss	2 6
—	22838	Valve spring (outer)	4	88ss, 99ss and 650ss	3 0
—	23392	Heat insulating washers	4	88ss, 99ss and 650ss	11
PUSH RODS					
—	88ss/82 IN	Push rod, complete (inlet)	2	88ss	15 8
—	88ss/82 EX	Push rod, complete (exhaust)	2	88ss	15 8
—	S650/82 IN	Push rod, complete (inlet)	2	99ss and 650ss	15 8
—	S650/82 EX	Push rod, complete (exhaust)	2	99ss and 650ss	15 8
—	23740	Push rod tube (only) inlet	2	88ss	7 6
—	23741	Push rod tube (only) exhaust	2	88ss	7 6
—	23352	Push rod tube (only) inlet	2	99ss and 650ss	7 6
—	23354	Push rod tube (only) exhaust	2	99ss and 650ss	7 6
—	T2064	Push rod top	4	99ss and 650ss	4 0
—	T2182	Push rod ball end	4	99ss and 650ss	3 4
PISTONS AND RINGS					
—	23185	Piston c/with rings and pin, L.H., 9.45-1	1	88ss	3 11 3
—	23186	Piston c/with rings and pin, R.H., 9.45-1	1	88ss	3 11 3
—	23181	Piston ring (chrome comp.) top	2	88ss	7 0
—	22797	Piston ring compression	2	88ss	3 9
—	22509	Piston ring scraper	2	88ss	5 2
—	21580	Gudgeon pin	2	88ss	9 2
—	22798	Circlip for pin	4	88ss	4
TIMING GEAR					
—	22729	Camshaft	1	88ss, 99ss and 650ss	5 8 1
—	17211	Cam sprocket and rev. counter drive nut	1	88ss, 99ss and 650ss	6 8
—	23819	Intermediate gear and sprockets ...	1	88ss and 99ss	3 14 3
CRANKCASE AND TIMING COVER					
—	23317	Crankcase c/with timing cover and bushes	1	88ss, 99ss and 650ss	19 12 0
—	21010	Crankcase driving side (only) (bushed) ...	1	88ss, 99ss and 650ss	6 15 2
—	23628	Crankcase timing side (only) (bushed) ...	1	88ss, 99ss and 650ss	9 12 6
—	18245 R.C.	Timing cover (for rev. counter fixing) ...	1	88ss, 99ss and 650ss	3 4 3
—	D12/915	Pressure release valve c/with all fittings	1	88ss, 99ss and 650ss	16 10
—	T2059	Pressure release body (only)	1	88ss, 99ss and 650ss	10 2
—	T2055	Wire gauze, complete	1	88ss, 99ss and 650ss	10
—	T2054	Pressure release piston	1	88ss, 99ss and 650ss	2 8
—	T2061	Pressure release spring	1	88ss, 99ss and 650ss	3
—	T2057	Pressure release union nut washer ...	1	88ss, 99ss and 650ss	3

PLATE No.	PART No.	DESCRIPTION	QTY.	MODEL	PRICE EACH
—	T2060	Pressure release body nut	1	88ss, 99ss and 650ss	£ 3 4
—	T2058	Washer for pressure release union	1	88ss, 99ss and 650ss	3
—	15404	Pressure release packing shim	A/R	88ss, 99ss and 650ss	1
—	E4591	Plug for t/cover oilway	1	88ss, 99ss and 650ss	10
—	16902	Set pin for t/cover oilway	1	88ss, 99ss and 650ss	7
—	T1084	Washer for setpin	1	88ss, 99ss and 650ss	2
—	23453	Blanking plate—rev. counter drive	1	88ss, 99ss and 650ss	5 9
—	23444	Fixing screws for blanking plate	2	88ss, 99ss and 650ss	10
—	23446	Fibre washers for fixing screws	2	88ss, 99ss and 650ss	2
—	23445	Nut for fixing screws	2	88ss, 99ss and 650ss	5
—	23447	Washers for nuts	2	88ss, 99ss and 650ss	2
—	23649	Sealing disc for blanking plate	1	88ss, 99ss and 650ss	4
CARBURETTERS					
ALL PRICES RETAIL NETT					
—	376/288	Carburetter, left hand, complete	1	1962, 88ss and 650ss	5 0 0
—	376/289	Carburetter, right hand, complete	1	1962, 88ss and 650ss	5 0 0
—	376/220	Carburetter, left or right, complete	2	1961, 88ss; 61/62, 99ss	5 0 0
—	376/003	Carburetter body (left hand)	1	1962, 88ss and 650ss	1 13 6
—	376/164	Carburetter body (right hand)	1	1962, 88ss and 650ss	1 13 6
—	376/003	Carburetter body (left or right)	2	1961, 88ss; 61/62, 99ss	1 13 6
—	376/064	Mixing chamber top	1	1961/62, 88ss, 99ss and 650 ss	4 0
—	376/065	Mixing chamber cap	1	1961/62, 88ss, 99ss and 650ss	4 0
—	4/235	Spring for mixing chamber cap	1	1961/62, 88ss, 99ss and 650ss	1 0
—	4/241	Fixing screw for spring	1	1961/62, 88ss, 99ss and 650ss	2
—	4/035	Cable adjusters	2	1961/62, 88ss, 99ss and 650ss	9
—	376/060	Throttle valve	1	1961/62, 88ss, 99ss and 650ss	8 6
—	376/132	Throttle valve spring	1	1961/62, 88ss, 99ss and 650ss	7
—	376/062	Air valve	1	1961/62, 88ss, 99ss and 650ss	5 6
—	4/046	Air valve spring	1	1961/62, 88ss, 99ss and 650ss	4
—	6/047	Air valve guide	1	1961/62, 88ss, 99ss and 650ss	1 8
—	376/063	Jet needle	1	1961/62, 88ss, 99ss and 650ss	3 0
—	4/230	Jet needle clip	1	1961/62, 88ss, 99ss and 650ss	7
—	376/068	Throttle adjusting screw	1	1961/62, 88ss, 99ss and 650ss	1 0
—	376/069	Spring for throttle adjusting screw	1	1961/62, 88ss, 99ss and 650ss	3
—	376/119	Pilot air adjusting screw	1	1962, 88ss and 650ss	1 0

PLATE No.	PART No.	DESCRIPTION	QTY.	MODEL	PRICE EACH
—	332/017	Pilot air adjusting screw	1	1961, 88ss; 61/62, 99ss	£ s. d. 1 0
—	4/148	Spring for pilot air adjusting screw ...	1	1961/62, 88ss, 99ss and 650ss	4
—	376/066	Air intake tube	1	1961/62, 88ss, 99ss and 650ss	5 0
—	376/057	Jet block	1	1961/62, 88ss, 99ss and 650ss	14 6
—	376/070	Locating peg for jet block	1	1961/62, 88ss, 99ss and 650ss	7
—	376/067	Washer for jet block	1	1961/62, 88ss, 99ss and 650ss	2
—	376/072	Needle jet	1	1961/62, 88ss, 99ss and 650ss	3 6
—	376/100	Main jet (specify size)	1	1961/62, 88ss, 99ss and 650ss	1 9
—	376/140	Jet holder	1	1962, 88ss and 650ss	7 0
—	376/073	Jet holder	1	1961, 88ss; 61/62, 99ss	5 0
—	376/074	Washer for jet holder	1	1961/62, 88ss, 99ss and 650ss	2
—	376/075	Main jet cover nut	1	1961/62, 88ss, 99ss and 650ss	1 3
—	376/076	Pilot jet	1	1961/62, 88ss, 99ss and 650ss	1 3
—	376/095	Pilot jet cover nut	1	1961/62, 88ss, 99ss and 650ss	1 0
—	116/162	Washer for pilot jet cover nut	1	1961/62, 88ss, 99ss and 650ss	2
—	376/077	Side cover	1	1961/62, 88ss, 99ss and 650ss	3 3
—	376/078	Washer for side cover	1	1961/62, 88ss, 99ss and 650ss	4
—	376/079	Screws for side cover	3	1961/62, 88ss, 99ss and 650ss	2
—	376/129	Screws for side cover (right hand) ...	3	1962, 88ss and 650ss	2
—	376/083	Float, complete	1	1961/62, 88ss, 99ss and 650ss	6 6
—	376/085	Float hinge spindle	1	1961/62, 88ss, 99ss and 650ss	8
—	376/094	Float spindle bush	1	1961/62, 88ss, 99ss and 650ss	4
—	376/180	Tickler	1	1962, 88ss and 650ss	1 3
—	376/086	Tickler	1	1961, 88ss; 61/62, 99ss	1 3
—	343/011	Tickler body	1	1961/62, 88ss, 99ss and 650ss	1 8
—	376/087	Tickler spring	1	1961/62, 88ss, 99ss and 650ss	2
—	376/118	Needle seating	1	1962, 88ss and 650ss	3 3
—	376/088	Needle seating	1	1961, 88ss; 61/62, 99ss	3 3
—	376/089	Float needle	1	1961/62, 88ss, 99ss and 650ss	2 0

PLATE No.	PART No.	DESCRIPTION	QTY.	MODEL	PRICE EACH
—	13/437	Needle seating washer	1	1962, 88ss and 650ss	£ s. d. 2
—	14/175	Needle seating washer	1	1961, 88ss; 61/62, 99ss	2
—	376/097	Banjo	1	1961/62, 88ss, 99ss and 650ss	2 9
—	376/091	Banjo bolt	1	1961/62, 88ss, 99ss and 650ss	8
—	376/092	Washer for banjo bolt	1	1961/62, 88ss, 99ss and 650ss	2
—	376/074	Washer for banjo	1	1962, 88ss and 650ss	2
—	14/175	Washer for banjo	1	1961, 88ss; 61/62, 99ss	2
—	376/093	Filter gauze	1	1961/62, 88ss, 99ss and 650ss	1 0
—	244/1048	Sealing ring	1	1961/62, 88ss, 99ss and 650ss	1 0
—	376/141	Banjo for jet holder	1	1962, 88ss and 650ss	3 9
—	244/1409	Air cable c/with junction block	1	1961/62, 88ss, 99ss and 650ss	18 0
—	244/1410	Throttle cable c/with junction block	1	1961/62, 88ss, 99ss and 650ss	18 0
—	23558	Petrol pipe, float chamber to carburetter	1	1962, 88ss and 650ss	1 0
EXHAUST PIPES					
—	24020	Exhaust pipe, left hand (not Siamese)	1	1962, 88ss and 650ss	4 1 0
—	24021	Exhaust pipe, right hand (not Siamese)	1	1962, 88ss and 650ss	4 1 0
N.B.—Other fittings as 650 cc. Std Pipes.					
—	23830	Exhaust pipe, left hand (Siamese)	1	1961, 88ss; 61/62, 99ss	2 0 0
—	18092	Lock ring for pipe	1	1961, 88ss; 61/62, 99ss	8 10
—	23831	Exhaust pipe, right hand, c/with lock ring (Siamese)	1	1961, 88ss; 61/62, 99ss	5 5 0
—	23891	Clip for left hand to right hand pipe, c/with nut and bolt	1	1961, 88ss; 61/62, 99ss	2 0
SILENCERS					
—	23768	Silencer, L.H. (for exhaust pipe 24020)	1	1962, 88ss and 650ss	4 15 0
—	23767	Silencer, R.H. (for exhaust pipe 24021)	1	1962, 88ss and 650ss	4 15 0
—	22475	Silencer fixing bracket bolt	4	1962, 88ss and 650ss	1 0
—	E5456	Washers for fixing bracket bolts	8	1962, 88ss and 650ss	3
—	23767	Silencer (for Siamese Pipes 23830/1)	1	1961, 88ss; 61/62, 99ss	4 15 0
—	23826	Fixing bracket for silencer	1	1961, 88ss; 61/62, 99ss	1 9
—	23827	Spacer for fixing bracket	1	1961, 88ss; 61/62, 99ss	2 3
—	18230	Bolt for fixing bracket	1	1961, 88ss; 61/62, 99ss	1 4
—	E5376	Washer for bolt	1	1961, 88ss; 61/62, 99ss	3

PLATE No.	PART No.	DESCRIPTION	QTY.	MODEL	PRICE EACH
—	E3224	Nut for bolt	1	1961, 88ss; 61/62, 99ss	£ s. d. 5
—	23865	Silencer to bracket fixing studs	2	1961, 88ss; 61/62, 99ss	1 2
—	T2211	Washers for studs	2	1961, 88ss; 61/62, 99ss	2
—	E3231	Nuts for studs	4	1961, 88ss; 61/62, 99ss	5
HANDLEBARS AND CONTROLS					
—	22809	Handlebar bend (straight type)	1	88ss, 99ss and 650ss	1 2 6
—	23646	Front brake c/with air lever combined ...	1	88ss, 99ss and 650ss	1 4 6
—	S650/225	Front brake lever only	1	88ss, 99ss and 650ss	8 11
—	M12-2/228 RH	Front brake lever body	1	88ss, 99ss and 650ss	6 10
—	M12-2/229	Pivot pin for lever	1	88ss, 99ss and 650ss	5
—	M12-2/230	Nut for pin	1	88ss, 99ss and 650ss	3
—	M12-2/216	Air lever, complete	1	88ss, 99ss and 650ss	12 2
—	M12-2/217	Air lever only	1	88ss, 99ss and 650ss	5 4
—	M12-2/218	Air lever body	1	88ss, 99ss and 650ss	4 0
—	M12-2/220	Air lever cap	1	88ss, 99ss and 650ss	11
—	M12-2/219	Cap screw	1	88ss, 99ss and 650ss	5
—	A2/221	Spring washer	1	88ss, 99ss and 650ss	3
—	M12-2/223	Air lever clip screw	2	88ss, 99ss and 650ss	10
—	23647	Clutch control lever, complete	1	88ss, 99ss and 650ss	16 4
—	S650/227 LH	Clutch control lever only	1	88ss, 99ss and 650ss	8 11
—	S650/288 LH	Clutch control lever body	1	88ss, 99ss and 650ss	4 0
—	A2/222	Half clip for body	1	88ss, 99ss and 650ss	1 4
—	A2/223	Pins for clip	2	88ss, 99ss and 650ss	5
—	M12-2/229	Pivot pin for lever	1	88ss, 99ss and 650ss	5
—	M12-2/230	Nut for pin	1	88ss, 99ss and 650ss	3
—	21667	Magneto control lever, complete	1	1962, 88ss R/N	10 6
—	N15/214	Magneto control lever (only)	1	1962, 88ss	5 4
—	N15/215	Magneto control lever body	1	1962, 88ss	4 0
—	N15/220	Magneto control lever cap	1	1962, 88ss	11
—	N15/219	Magneto control lever cap screw	1	1962, 88ss	5
—	A2/221	Spring washer	1	1962, 88ss	3
—	A2/223	Magneto control lever clip screw	2	1962, 88ss	5
—	N15/222	Half clip for magneto control lever	1	1962, 88ss	1 4
—	17747	Magneto cut-out button	1	1962, 88ss and 650ss Nett	8 6
—	18890	Magneto control cable, complete	1	1962, 88ss	5 6
OIL TANKS					
—	23866	Oil tank	1	1962, 88ss and 650ss	3 7 6
CLUTCH					
—	23306	Clutch assembly	1	1962, 88ss and 650ss	12 5 0
N.B.—All fittings as 650 Std Clutch, page 34					

PLATE No.	PART No.	DESCRIPTION	QTY.	MODEL	PRICE EACH
		ENGINE PLATE COVER			£ s. d.
—	19100	Engine plate cover (rear)	1	1962, 88ss and 650ss	3 4
		REAR SUSPENSION UNITS			
—	24036	Rear shock absorber unit (Solo)	2	650ss Nett	2 17 0
		SPEEDOMETER			
—	23375	Speedometer head, complete (150 m.p.h.)	1	1961/62, 88ss, 99ss and 650ss Nett	4 10 0
—	23639	Speedometer head, complete (k.p.h.) ...	1	1961/62, 88ss, 99ss and 650ss Nett	4 10 0
		REAR WHEEL AND FITTINGS			
—	24152	Rear wheel, complete, less tyre (19") ... N.B.—Full details for this wheel will be found on page 35.	1	1962, 88ss and 650ss	24 6 5
		BRAKE ROD AND FITTINGS			
—	23439	Brake rod jaw joint assembly	1	1962, 88ss and 650ss	6 4
		ELECTRICAL EQUIPMENT MAGNETO AND FITTINGS			
—	42350H	Magneto, complete (K2/FC) (Manual advance)	1	1962, 88ss Nett	17 17 6
—	42368D	Magneto, complete (K2/FC) (auto advance)	1	1962, 650ss Nett	17 17 6
—	17212	Magneto sprocket (manual advance) ...	1	1962, 88ss	1 0 2
—	47508D	Magneto sprocket (c/with auto advance mechanism)	1	1962, 650ss Nett	3 0 6
—	458876	Pickup	2	1962, 88ss and 650ss Nett	7 6
—	459205	Cover, contact breaker	1	1962, 88ss and 650ss Nett	1 12 9
—	54440888	Contact set	1	1962, 88ss and 650ss Nett	7 6
—	492854	Contact breaker	1	1962, 88ss and 650ss Nett	18 6
—	492856	Screw, fixing contact breaker	1	1962, 88ss and 650ss Nett	1 3
—	455191	Brush, spring and holder, earthing ...	1	1962, 88ss and 650ss Nett	2 0
—	T2191	Joint washer for magneto	1	1962, 88ss and 650ss	3
—	T2245	Fixing studs for magneto	3	1962, 88ss and 650ss	7
—	11796	Washers, for fixing studs	3	1962, 88ss and 650ss	3
—	E3231	Nuts for fixing studs	3	1962, 88ss and 650ss	5

PLATE No.	PART No.	DESCRIPTION	QTY.	MODEL	PRICE EACH
—	21990	Breather pipe for magneto	1	1962, 88ss and 650ss	£ s. d. 1 9
—	14490	H.T. lead clip	1	1962, 88ss and 650ss	7
—	23482	Sparking plug (F.E.100, 3 point)	2	1961/62, 88ss, 99ss and 650ss Nett	5 0
—	18698	Sparking plug (F.E.75) (for running in only)	2	1961/62, 88ss, 99ss and 650ss Nett	5 0
—	18672	Magneto spanner	1	1962, 88ss and 650ss	9
ALTERNATORS					
—	54213901	Rotor	1	1962, 88ss and 650ss Nett	4 2 6
—	47182	Stator	1	1962, 88ss and 650ss Nett	3 12 0
—	54210167	Clip for cable	1	1962, 88ss and 650ss	Nett 1
—	131023	Washer for cable clip	1	1962, 88ss and 650ss	Nett 2
HEADLAMPS					
ALL PRICES RETAIL NETT					
—	58885A	Headlamp c/with switch and ammeter less harness	1	1962, 88ss	6 12 6
—	58241B	Headlamp c/with switch and ammeter less harness	1	1962, 650ss	6 12 6
—	54520392	Headlamp shell (only) Green	1	1962, 88ss	2 6 0
—	517238	Headlamp shell (only) Black	1	1962, 650ss	2 6 0
—	54949940	Wiring harness	1	1962, 88ss and 650ss	1 0 0
—	516798	Headlamp light unit	1	1962, 88ss and 650ss	18 0
—	554602	Bulbholder, main	1	1962, 88ss and 650ss	2 9
—	554710	Bulbholder, pilot	1	1962, 88ss and 650ss	3 4
—	31784D	Switch	1	1962, 88ss and 650ss	1 5 6
—	351815	Switch handle	1	1962, 88ss and 650ss	3 0
—	127301	Switch handle screw	1	1962, 88ss and 650ss	4
—	553248	Rim or door	1	1962, 88ss and 650ss	18 0
—	36084F	Ammeter	1	1962, 88ss and 650ss	11 6
—	523986	Sealing ring for ammeter	1	1962, 88ss and 650ss	7
—	397092	Headlamp "Lucas" Medallion	1	1962, 88ss and 650ss	2 0
—	112201	Headlamp fixing bolt	2	1962, 88ss and 650ss	3 3
—	137499	Washers for fixing bolts	2	1962, 88ss and 650ss	3
OPTIONAL EQUIPMENT FOR SPORTS SPECIAL MODELS					
AIR CLEANERS					
—	23471	Air cleaner, complete	1	1962, 88ss and 650ss	1 5 6
—	23559	Grommet for air cleaner	2	1962, 88ss and 650ss	2 3
—	23552	Mounting plate for air cleaner	1	1962, 88ss and 650ss	1 3
—	23555	Sleeves for air cleaner mounting	2	1962, 88ss and 650ss	5 0
—	22034	Bolts for air cleaner mounting	2	1962, 88ss and 650ss	1 3
—	17698	Washers (shakeproof)	2	1962, 88ss and 650ss	3

PLATE No.	PART No.	DESCRIPTION	QTY.	MODEL	PRICE EACH
		REVOLUTION COUNTER			£ s. d.
—	RC/6	Revolution counter assembly c/with all fittings, less timing cover	1	1961/62, 88ss, 99ss, and 650ss Nett	8 10 5
—	23963	Revolution counter head (illuminated)	1	1961/62, 88ss, 99ss and 650ss Nett	4 0 0
—	24347	Light lead (16" long)	1	1961/62, 88ss, 99ss and 650ss Nett	6
—	18512	Cable for revolution counter	1	1961/62, 88ss, 99ss and 650ss Nett	17 6
—	18514	Gearbox for revolution counter	1	1961/62, 88ss, 99ss and 650ss Nett	2 7 6
—	23876	Bracket for head	1	1961/62, 88ss, 99ss and 650ss	5 4
—	E6743	Fixing rubber for head (top)	2	1961/62, 88ss, 99ss and 650ss	5
—	22082	Fixing rubber for head (bottom)	2	1961/62, 88ss, 99ss and 650ss	3
—	22890	Washers for fixing	4	1961/62, 88ss, 99ss and 650ss	6
—	23477	Sleeve bolts for fixing	2	1961/62, 88ss, 99ss and 650ss	2 6
—	23444	Fixing screws for gearbox or blanking plate	2	1961/62, 88ss, 99ss and 650ss	10
—	23446	Fibre washers for fixing screws	2	1961/62, 88ss, 99ss and 650ss	2
—	23445	Nuts for fixing screws	2	1961/62, 88ss, 99ss and 650ss	5
—	23447	Washers for screws	2	1961/62, 88ss, 99ss and 650ss	2
—	23565	Joint washer for gearbox	1	1961/62, 88ss, 99ss and 650ss	3
—	14490	Clip for rev. counter cable	1	1961/62, 88ss, 99ss and 650ss	7
—	23453	Blanking plate for rev. counter drive	1	1961/62, 88ss, 99ss and 650ss	5 9
—	23649	Sealing disc for blanking plate	1	1961/62, 88ss, 99ss and 650ss	4
		N.B.—For timing cover, pressure release valve etc., see page 56.			



**OPTIONAL EQUIPMENT
AND
SERVICE TOOLS**



PLATE No.	PART No.	DESCRIPTION	QTY.	MODEL	PRICE EACH
					£ s. d.
—	21325A	Polished cylinder head, complete with guides and large inlet valve seat insert	1	88, 99 Std and D/L	20 2 6
—	18542	Inlet manifold (for dual carburetter fixing)	1	88, 99 Std	1 17 2
—	18035	Inlet manifold to head fixing stud ...	4	88, 99 Std	7
—	T2221	Inlet manifold to head fixing washer ...	4	88, 99 Std	3
—	13145	Inlet manifold to head fixing stud nut ...	4	88, 99 Std	3
—	21572	Inlet manifold distance piece ...	2	88, 99 Std	3 4
—	376/66	Carburetter, complete ...	2	88 Std	5 0 0
—	376/67	Carburetter, complete ...	2	99 Std	5 0 0
—	20344	Carburetter fixing stud (to manifold) ...	2	88, 99 Std	7
—	11796	Carburetter fixing stud washer ...	2	88, 89 Std	3
—	E3231	Carburetter fixing stud nut ...	2	88, 89 Std	5
—	244/1409	Dual air control cable, complete (standard bars) ...	1	88, 99 Std	18 0
—	22544	Dual air control cable, comp. (American bars) ...	1	88, 89 Std	18 0
—	244/1410	Dual throttle control cable, complete (American and standard bars) ...	1	88, 89 Std	18 0
—	244/104	Dual air and throttle cable control barrel	2	88, 99 Std	8 6
—	22111	Petrol pipe assembly ...	1	88, 99 Std	8 8
HIGH COMPRESSION PISTONS, 1949/61 TWINS					
—	23185	Piston c/with rings and pin, L.H. (9.45-1)	1	88 Std and D/L	3 11 3
—	23186	Piston c/with rings and pin, R.H. (9.45-1)	1	88 Std and D/L	3 11 3
—	23187	Piston c/with rings and pin, L.H. (10.2-1)	1	99 Std and D/L	2 9 6
—	23188	Piston c/with rings and pin, R.H. (10.2-1)	1	99 Std and D/L	2 9 6
—	23189	Piston c/with rings and pin, L.H. (8.9-1)	1	99 Std and D/L	3 0 9
—	23190	Piston c/with rings and pin, R.H. (8.9-1)	1	99 Std and D/L	3 0 9
—	23181	Piston ring, chrome, compression top (all ratios) ...	2	88 Std and D/L	7 0
—	22797	Piston ring compression, all ratios ...	2	88 Std and D/L	3 9
—	22509	Piston ring scraper, all ratios ...	2	88 Std and D/L	5 2
—	23184	Piston ring, chrome, compression top, all ratios ...	2	99 Std and D/L	7 0
—	21579	Piston ring compression, all ratios ...	2	99 Std and D/L	3 9
—	21578	Piston ring scraper, all ratios ...	2	99 Std and D/L	5 2
—	21580	Gudgeon pin, all ratios ...	2	88, 99 Std and D/L	9 2
—	22798	Circlip for gudgeon pin, all ratios ...	4	88, 99 Std and D/L	4
STEERING DAMPERS					
—	SD/4	Steering damper c/with all fittings (Solo)	1	All	1 6 8
—	23480	Steering damper rod ...	1	All	1 9
—	18336	Wing nut ...	1	All	8 8
—	21574	Distance piece for rod ...	1	All	7
—	16075	Spring ...	1	All	11
—	E3231	Nuts for steering damper rod ...	3	All	5
—	15626	Crown and column locknut ...	1	All	6 8
—	16007	Steering damper rod nut plate ...	1	All	1 9
—	16008	Friction disc ...	1	All	1 4
—	16004	Star washer ...	1	All	5

CLASSIC
BIKE SPARES

PLATE No.	PART No.	DESCRIPTION	QTY.	MODEL	PRICE EACH
—	E3154	Fixing bolt	1	All	£ s. d. 10
—	E3231	Nut for fixing bolt	1	All	5
—	18769	Steering lockplate assembly	1	All	3 4
—	22475	Bolt for lockplate	1	All	1 0
—	E5456	Washer for bolt	1	All	3
—	18202	Washer for bolt	1	All	3
—	19357	Spacing washer	1	All	7
—	E3231	Nut for lockplate bolt	1	All	5
—	SD/1	Steering damper c/with all fittings (Side-car)	1	All	1 6 8
—	21620	Steering damper anchor plate	1	All	3 4
—	T347	Steering damper friction disc	2	All	1 4
—	50002	Steering damper friction plate	1	All	5 4
—	21642	Bolt for friction plate	1	All	10
—	E5380	Washer for bolt	1	All	3
—	E3135	Bolt for anchor plate	1	All	10
—	E3231	Nut for bolt	1	All	5
—	18202	Washer for bolt	1	All	3
—	19357	Distance piece for anchor plate	1	All	7
—	15626	Fork crown and column locknut	1	All	6 8
—	15627	Washer for locknut	1	All	7
—	21509	Steering damper rod	1	All	1 4
—	E3231	Nut for rod	1	All	5
—	21574	Distance piece for rod	1	All	7
—	16075	Spring for rod	1	All	11
—	18336	Wing nut for rod	1	All	8 8
—	E3223	Locknut for wing nut	1	All	5
AIR CLEANERS, 1960/61					
—	18684	Air cleaner (state colour req'd)	1	All Singles	2 14 1
—	18484	Clip for air cleaner	1	All Singles	2 4
—	18685	Sleeve for air cleaner	1	All Singles	6 8
—	22355	Bolt, required for carburetter fixing when air cleaner is fitted	2	All Singles	1 3
—	19667	Air cleaner	1	88, 99 Std and D/L	2 14 1
—	19518	Hose for air cleaner connection	1	88, 99 Std	4 0
—	19518A	Hose for air cleaner connection	1	88, 99 D/L	4 0
—	19729	Hose clip for air cleaner	1	88, 99 Std and D/L	11
—	19729B	Screws for hose clip	1	88, 99 Std and D/L	7
—	19729C	Nuts for hose clip screws	1	88, 99 Std and D/L	3
—	12343	Fixing bolt for air cleaner	2	88, 99 Std and D/L	10
—	E5379	Washers for bolts	2	88, 99 Std and D/L	3
—	22810	Distance tubes for fixing bolts	2	88, 99 Std and D/L	1 0
—	19667	Air cleaner	1	650 Std and D/L	2 14 1
—	23469	Mounting bracket for air cleaner	1	650 Std and D/L	3 0
—	12342	Bolts for mounting bracket	2	650 Std and D/L	6
—	E5379	Washers for bolts	4	650 Std and D/L	3
—	E3229	Nuts for bolts	2	650 Std and D/L	5
—	12343	Bolts, air cleaner to oil tank	2	650 Std and D/L	10
—	E5379	Washers for bolts	2	650 Std and D/L	3
—	22810	Distance tubes for bolts	2	650 Std and D/L	1 0
—	23470	Hose for air cleaner connection	1	650 Std and D/L	5 3

PLATE No.	PART No.	DESCRIPTION	QTY.	MODEL	PRICE EACH
—	19729	Hose clip for air cleaner	1	650 Std and D/L	£ s. d. 11
—	19729B	Screws for hose clip	1	650 Std and D/L	7
—	19729C	Nuts for hose clip screws (state colour required)	1	650 Std and D/L	3
FULLY ENCLOSED REAR CHAINCASE (1961)					
—	ERCC/7	Enclosed rear chaincase complete with all fittings (state colour)	1	All	4 19 5
—	19734	Rear chaincase, top half	1	All	2 5 3
—	19735	Rear chaincase, bottom half	1	All	2 5 3
—	22022	Rear chaincase fixing screw	4	All	10
—	19435A	Rear chaincase fixing screw washer ...	8	All	6
—	22135	Rear chaincase inspection hole grommet	1	All	1 2
—	18285	Rear chaincase breather pipe grommet ...	1	All	5
FULLY ENCLOSED REAR CHAINCASE (1962)					
—	ERCC/9	Rear chaincase c/with all fittings (state colour)	1 set	All	4 16 11
—	19734K	Rear chaincase top half (only)	1	All	2 5 3
—	19735K	Rear chaincase bottom half (only) ...	1	All	2 5 3
—	22022	Fixing screws (rear)	2	All	10
—	22022A	Fixing screws (front)	2	All	10
—	T2221	Washers for fixing screws (front) ...	2	All	2
—	23574	Nuts for fixing screws (front)	2	All	4
—	22135	Inspection hole grommet	1	All	1 2
—	18285	Breather pipe grommet	1	All	5
CHROMIUM MUDGUARDS					
—	19362 CH	Front mudguard (chrome)	1	All Std Twins and all Singles	2 0 3
—	19291 CH	Side stay for front mudguard (chrome) ...	4	All Std Twins and all Singles	8 8
—	19282 CH	Centre stay for front mudguard (chrome)	1	All Std Twins and all Singles	8 8
—	23252 CH	Rear mudguard, complete (chrome) ...	1	All Std Twins and all Singles	4 4 0
—	22634 CH	Lifting handle for rear mudguard, L.H. (chrome)	1	All Std Twins and all Singles	14 0
—	22633 CH	Lifting handle for rear mudguard, R.H. (chrome)	1	All Std Twins and all Singles	14 0
REVOLUTION COUNTER AND FITTINGS					
—	RC/5	Revolution counter c/with all fittings (illuminated head) (Kit includes instrument, cable, gearbox, modified timing cover, etc.)	1	88, 99, 650 Std and D/L Nett	12 15 7
N.B.—For further details see page 63.					

PLATE No.	PART No.	DESCRIPTION	QTY.	MODEL	PRICE EACH
					£ s. d.
		FRONT CRASH BARS, FULL LOOP TYPE			
—	CBK/10F	Front crash bar, full loop type assembly, complete	1 set	All Twins	3 7 6
—	19095	Front crash "Bar" only	1	All Twins	3 1 8
—	21638	Top fixing plate for crash bar	1	All Twins	2 0
—	19063	"U" bolt for crash bar	1	All Twins	3 0
—	E3223	Nut for "U" bolt	2	All Twins	5
		FRONT CRASH BARS, FULL LOOP TYPE			
—	S/ESCBK/10F	Front crash bar, full loop type, assembly, complete	1 set	All Singles	3 10 0
—	23335	Front crash "Bar" only	1	All Singles	3 0 0
—	21638	Top fixing plate for crash bar	1	All Singles	2 0
—	19063	"U" bolt for crash bar	1	All Singles	3 0
—	E3223	Nut for "U" bolt	2	All Singles	5
—	23334	Stud frame to crash bar fixing	1	All Singles	1 10
—	23157	Distance tube for stud	1	All Singles	1 0
—	E5456	Washers for stud	2	All Singles	3
—	E3223	Nuts for stud	2	All Singles	5
		FRONT CRASH BARS, CONTINENTAL TYPE			
—	PPCB/10F	Front crash bars (continental full loop type) assembly, complete	1 set	All Twins	3 12 6
—	20612	Front crash bar only	1	All Twins	3 3 0
—	20610	Clamping plate for crash bar	1	All Twins	2 0
—	20615	Studs for clamping plate	3	All Twins	1 0
—	20611	Distance piece	2	All Twins	1 0
—	E5376	Washers for studs	4	All Twins	3
—	E3224	Nuts for studs	4	All Twins	5
		REAR CRASH BARS			
—	RCBK/10R	Rear crash bars c/with all fittings	1 set	All	3 17 6
—	23016	Rear crash bar only, L.H.	1	All	1 14 6
—	23017	Rear crash bar only, R.H.	1	All	1 14 6
—	21134A	Fixing stud for rear crash bar	1	All	2 0
—	23019	Spacers for crash bar bottom fixing	2	All	9
—	23018	Studs for pillion footrest and crash bar fixing	2	All	1 5
—	E5376	Washers for top and bottom fixing studs	4	All	3
—	E3224	Nuts for top and bottom fixing studs	2	All	5
—	23870	Nuts for fixing studs	2	All	1 9
		RACING FOOTCHANGE MECHANISM			
—	23772	Gearchange lever	1	All	3 0 0
—	23774	Gearchange lever toggle (g/box) (040542)	1	All	10 6

PLATE No.	PART No.	DESCRIPTION	QTY.	MODEL	PRICE EACH
—	18450	Gearchange lever rubber	1	All	£ 1 4
—	15879	Toggle rod	1	All	4 8
—	17356	Jaw joint (small)	1	All	3 1
—	15880	Jaw joint (large)	1	All	6 0
—	E3231	Jaw joint locknuts	2	All	5
—	15882	Jaw joint pins	2	All	1 2
—	10057	Jaw joint pin washers	2	All	3
—	18415	Jaw joint split pins	2	All	1
REAR BRAKE PEDAL					
—	16386A	Rear brake pedal	1	All	1 13 6
—	23773	Adjuster stop	1	All	7 6
—	E5456	Washer for stop	1	All	3
—	E3223	Nut for stop	1	All	5
—	13421	Pedal adjuster screw	1	All	2 0
—	E3229	Nut for screw	1	All	5
FOOTRESTS (FOLDING)					
—	15870	Footrest, L.H.	1	All	16 10
—	17162	Footrest, R.H. (folding)	1	All	1 0 4
—	15871B	Footrest support stud, L.H.	1	All	8 8
—	17163	Footrest support stud, R.H.	1	All	16 10
—	E5377	Fixing washers for stud	2	All	3
—	15176	Nuts for stud	2	All	6
—	11809	Footrest, L.H. washer	1	All	3
—	E6706	Footrest, R.H. fixing bolt	1	All	11
—	12079	Nut for fixing bolt	1	All	5
FOLDING KICKSTARTER CRANK					
—	040434A	Kickstarter crank, complete with all fittings (folding)	1	All	2 0 0
—	040429A	Kickstarter crank (only)	1	All	1 6 0
—	040431	Kickstarter pedal	1	All	12 0
—	040433	Kickstarter dished washer	1	All	2
—	000010	Kickstarter plain washer	1	All	1
—	040432	Kickstarter domed nut	1	All	1 9
—	000367	Kickstarter clinch bolt	1	All	10
—	000011	Kickstarter clinch bolt washer	1	All	1
PANNIER EQUIPMENT					
—	S17D/12406	Pair of pannier boxes c/with all fittings... ..	1 set	88, 99, 650 D/L Nett	12 12 0
—	23969	Pannier, L.H., c/with lid lock, etc.	1	88, 99, 650 D/L	6 5 0
—	23970	Pannier, R.H., c/with lid lock, etc.	1	88, 99, 650 D/L	6 5 0
—	14481	Fixing bolt for pannier	8	88, 99, 650 D/L	9
—	22890	Washers for fixing bolts	8	88, 99, 650 D/L	6
—	E5379	Washers for fixing bolts	8	88, 99, 650 D/L	3
—	E3229	Nuts for fixing bolt	8	88, 99, 650 D/L	5

PLATE No.	PART No.	DESCRIPTION	QTY.	MODEL	PRICE EACH
		CHROMIUM FRONT CHAINCASE			£ s. d.
—	20914A	Front chaincase outer cover (chrome) ...	1	All Twins	4 3 5
		MISCELLANEOUS SECTION			
—	18304	Sparking plug (FE.100 single point) ... (Required for engines where twin carburetters are fitted).	2	88, 99 Std Nett	5 0
—	18698	Sparking plug (FE.70) (For running-in purposes <i>only</i> when Twin carburetters are fitted).	2	88, 99 Std Nett	5 0
—	SCK/3	Conversion kit for Sidecar purposes ... N.B.—This kit includes all necessary parts for sidecar conversion including sidecar trail crown and column heavyweight springs, engine sprocket and rear S/A units, etc. Please state colour of machine, model and type of sidecar, i.e. light or heavy.	1	All	16 6 4
—	16390	Clip-on handlebars (Manx dropped type)	1 pr.	All <i>per pair</i>	6 0 9
—	22460	Handlebar (American type)	1	All	2 0 3
—	22809	Handlebar (straight type)	1	All	1 2 6
—	23592	Front brake cable, complete (for American bars)	1	All	10 6
—	23594	Throttle cable, complete (for American bars)	1	All	3 6
—	23595	Air cable, complete (for American bars)	1	All	3 6
—	23581	Exhaust lifter cable, complete (for American bars)	1	All Singles	7 6
—	22546	Clutch cable, complete (American bars)	1	All	7 0
—	19091	Cable clip ("C" size)	4	All	5
—	21988	Compression plate	A/R	ES2	2 8
—	22971	Single seat, complete	1	ES2, 50, 88, 99 and 650 Std	5 0 0
—	21183	Spring clip for seat	2	ES2, 50, 88, 99 and 650 Std	6
—	14468	Bolt for clip	2	ES2, 50, 88, 99 and 650 Std	7
—	21851	Rubber bushes for seat	2	ES2, 50, 88, 99 and 650 Std	1 5
—	21852	Rubber buttons for seat	2	ES2, 50, 88, 99 and 650 Std	9
		SERVICE TOOLS			
—	SPU.1/49	Headlug bearing adj. nut and filler cap spanner	1	All	4 6
—	A3/579	Exhaust pipe nut "C" spanner	1	All	4 4
—	SHU/36	Fork abutment l/ring "C" spanner	1	All	4 0
—	SPU.1/48	Crown and column l/nut spanner	1	All	4 6
—	SBU.1/74	Cylinder head nut box spanner (long)	1	All Twins	2 6

PLATE No.	PART No.	DESCRIPTION	QTY.	MODEL	PRICE EACH
—	SBU.1/02	Cylinder head nut box spanner (short) ...	1	All Twins	£ s. d. 2 0
—	A2/575	Grease gun	1	All	8 0
—	23441	Clutch operator body lockring spanner...	1	All	15 0
—	CBT/11	Clutch body withdrawal tool	1	All	10 6
—	EST/12	Engine sprocket extractor	1	All	1 2 6
—	EST/12A	Extension for removing camshaft sprocket (for use with sprocket extractor EST/12)	1	All Twins	3 0
—	ET/2003	Half time pinion extractor	1	All	1 2 6
—	12093	Gearbox axle sprocket box spanner ...	1	All	10 0
—	13685	Fork pull through	1	All	7 6
—	23422	Allen key, $\frac{1}{4}$ " , for distributor housing stud nuts	1	All	1 9

N.B.—Norton Motors Ltd. reserve the right to alter prices and specifications at all times and without notice.



