

20-10227C

# TRIUMPH

## REPLACEMENT PARTS CATALOGUE

No. 15

|      |   |                |
|------|---|----------------|
| 6T   | - | THUNDERBIRD    |
| T100 | - | TIGER 100      |
| T110 | - | TIGER 110      |
| TR6  | - | TROPHY         |
| T120 | - | BONNEVILLE 120 |

FROM ENGINE No. 020076

SEPTEMBER 1958

TRIUMPH ENGINEERING COMPANY LIMITED

MERIDEN WORKS, ALLESLEY

COVENTRY

Telegrams (for Spares)  
"Trusty, Coventry"

Telephone  
Meriden 331

Ref. 487/59

ISSUE No. 15

Published, May, 1959



Parts sent to Coventry for repair, replacement or as patterns should bear the sender's name and address and clear instructions should accompany the parts. All parts must be forwarded carriage paid and care should be taken to ensure that all remittances are sent separately and not enclosed with the parts. Fragile units such as cylinders, etc., should always be boxed to avoid damage in transit. Complete machines should have all fitments such as horns, driving mirrors, tools, etc., removed by the sender before despatch, as it is impossible for us to accept responsibility in the event of loss in transit. We are always pleased to give estimates for overhauling and repairs, but should an estimate not be accepted, a charge will be made covering cost of dismantling and re-assembling, if carried out.

Communications relating to Parts should be addressed to the SPARES MANAGER and for repairs, guarantee claims and technical advice to the SERVICE MANAGER, Triumph Engineering Co. Ltd., Meriden Works, Allesley, Coventry. In order to facilitate quick reference, the quoting of any number, invoice number or reference from previous communications is of essential importance. **Accessories not of our manufacture should be sent direct to the actual makers, whose names and addresses appear on Page 90.**

**WHERE TO OBTAIN.** Triumph Spare Parts may be obtained from any Triumph Dealer, and we recommend our customers to place their orders with the Triumph Dealer in their district, as we do not normally supply direct. When parts not usually asked for are required, and for which the Dealer may have to wire or obtain specially, the postage or carriage incurred becomes payable.

We are not able to supply Transfers as originally affixed to Triumph Motor Cycles, but we are at all times willing to supply a transfer denoting that the machine is of genuine Triumph manufacture, provided the Frame and Engine prefix letters and numbers are quoted.

Customers are warned against the risk incurred by purchasing parts that are not of genuine Triumph manufacture. This risk is eliminated if parts are ordered as instructed, either from our recognised Dealers, or direct from the Spares Department, Meriden Works, Allesley, Coventry.

---

## TERMS OF BUSINESS

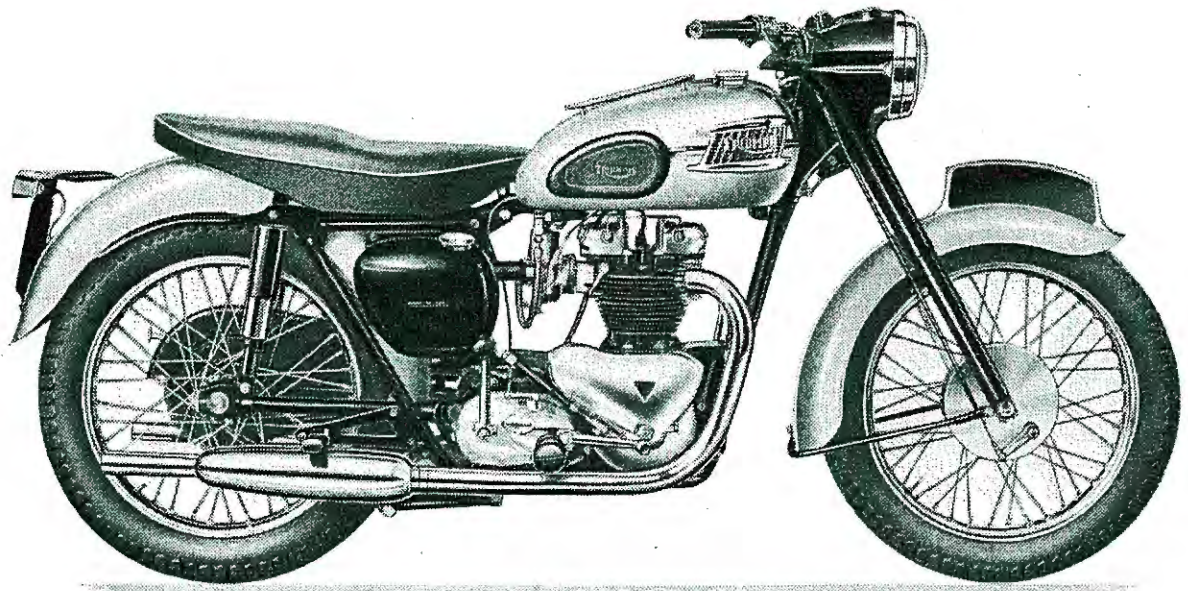
**T**HE most convenient method of paying for Spare Parts is by the C.O.D. system. By this method you pay the postman for the goods when he delivers them to you. As the minimum C.O.D. collection fee is 1/2, only goods to the value of 2/- and over can be sent by this system. We do not despatch goods by rail C.O.D.

Where goods are not sent C.O.D., cash must accompany the order. All remittances should be made payable to the Triumph Engineering Co. Ltd., and crossed "Barclay's Bank Ltd." if in the form of Postal Order or cheque. Letters containing currency notes must be registered.

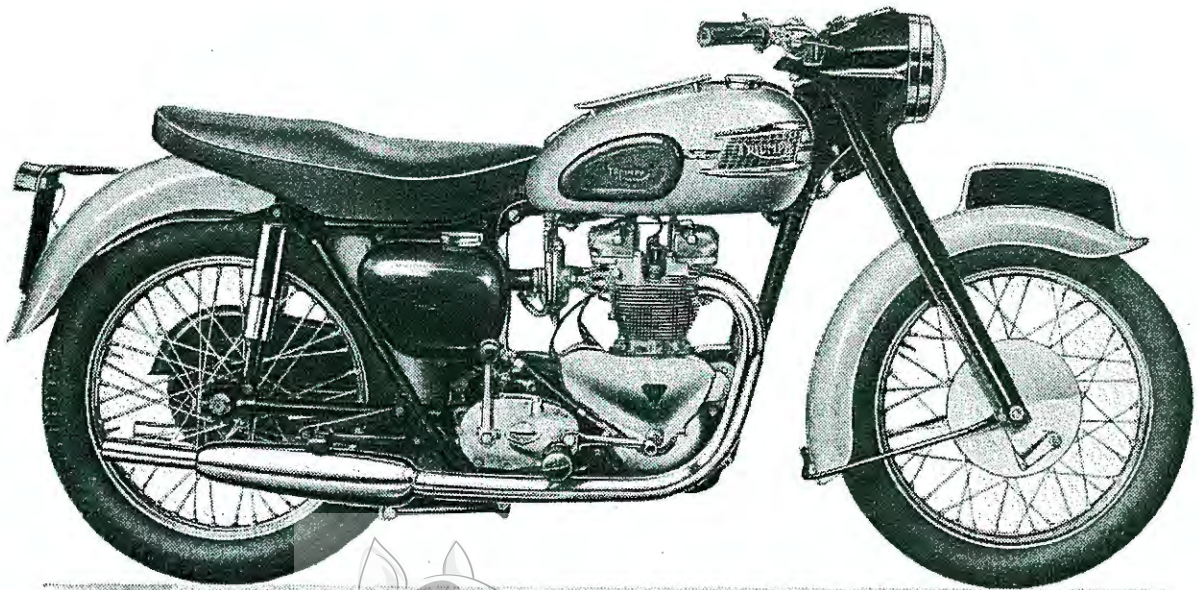
Should a remittance be forwarded by telegraphic money order, the name and address of the sender must be inserted in the space provided on the Post Office requisition form for a private message from remitter to payee. Unless this is complied with the Post Office omit such information from the telegram and we are not then in a position to trace the sender.


Postage, carriage and packing is charged at 5% on the value of the goods, minimum charge 1/-. Packing boxes, cases, crates, etc., are charged for at cost and are returnable.

**THUNDERBIRD (6T)**



**TIGER 100 (T100)**



 **CLASSIC  
BIKE SPARES**

## THUNDERBIRD (6T)

### SPECIFICATION

|                          |            |                                   |                             |
|--------------------------|------------|-----------------------------------|-----------------------------|
| Bore and stroke, mm. ... | ...71×82   | Ignition (fully retard)           |                             |
| ins. ...                 | 2.79×3.23  | ins. (mm.) ...                    | $\frac{3}{32}$ (0.8) B.T.C. |
| Cylinder capacity        |            | Piston ring gap (Compression and  |                             |
| c/cm. (cu. ins.) ...     | 649 (40)   | Scraper) ins. (mm.)               | .010-.014 (.25-.35)         |
| Compression ratio ...    | ... 7 : 1  | Petrol tank, gallons (litres) ... | 4 (18)                      |
| Engine sprocket ...      | ... 24     | Oil tank, pints (litres) ...      | 5 (3)                       |
| Tappet clearance, cold   |            | Weight, lbs. (dry) (kilos)        | 385 (175)                   |
| ins. (mm.) ...           | .010 (.26) |                                   |                             |

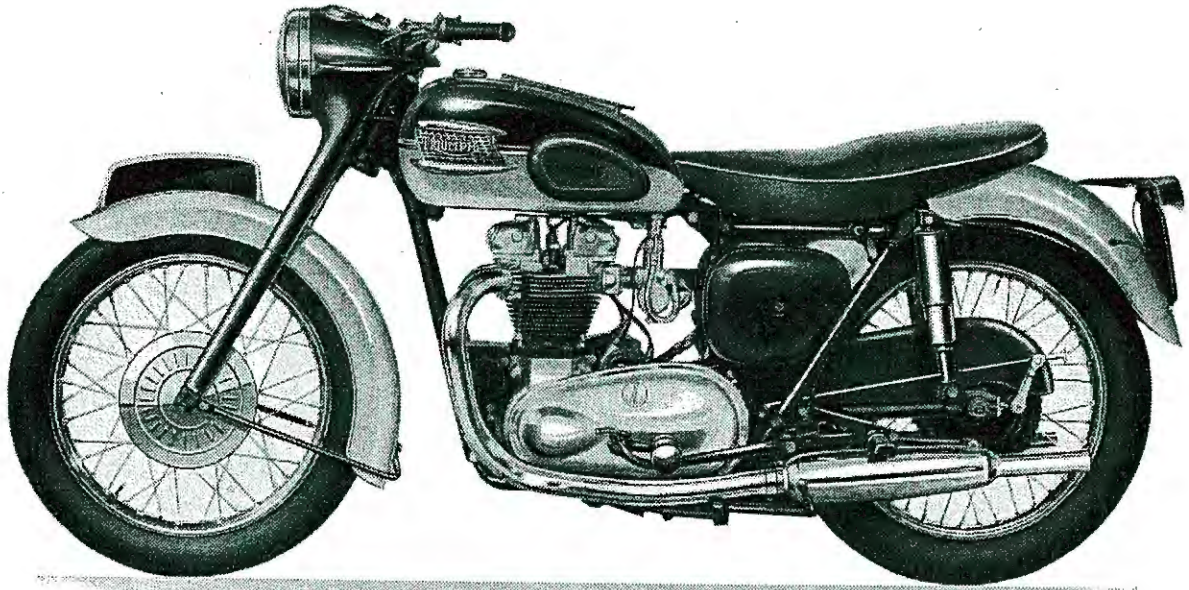
## TIGER 100 (T100)

### SPECIFICATION

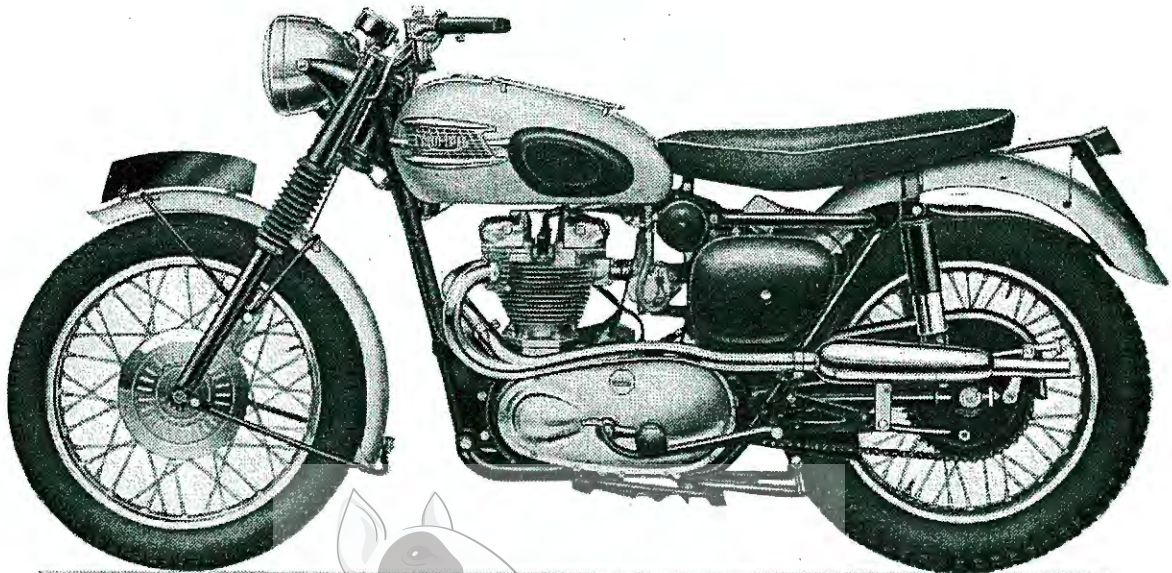
|                                   |                        |                                   |                              |
|-----------------------------------|------------------------|-----------------------------------|------------------------------|
| Bore and stroke, mm. ...          | ...63×80               | Ignition, fully advanced          |                              |
| ins. ...                          | 2.48×3.15              | ins. (mm.) ...                    | $\frac{3}{8}$ (9.5) B.T.D.C. |
| Cylinder capacity                 |                        | Piston ring gap                   |                              |
| c/cm. (cu. ins.) ...              | 498 (30.5)             | Compression—                      |                              |
| Compression ratio ...             | ... 8 : 1              | ins. (mm.) ...                    | .010-.014 (.25-.35)          |
| Engine sprocket, solo ...         | ... 22                 | Scraper—                          |                              |
| Carburetter main jet (Amal) ...   | 220                    | ins. (mm.) ...                    | .007-.011 (.18-.28)          |
| Carburetter pilot jet (Amal) ...  | 25                     | Petrol tank, gallons (litres) ... | 4 (18)                       |
| Carburetter slide (Amal) ...      | ...376/3 $\frac{1}{2}$ | Oil tank, pints (litres) ...      | 5 (3)                        |
| Carburetter needle jet (Amal) ... | .1065                  | Weight lbs. (dry) (kilos)         | 375 (170)                    |
| Tappet clearance, cold            |                        |                                   |                              |
| ins. (mm.) ...                    | .010 (.26)             |                                   |                              |



**TIGER 110 (T110)**



**TROPHY (TR6)**



CLASSIC  
BIKE SPARES

## TIGER 110 (T110)

---

### SPECIFICATION

|                                   |                        |                                   |                               |
|-----------------------------------|------------------------|-----------------------------------|-------------------------------|
| Bore and stroke, mm. ...          | ...71×82               | Tappet clearance, cold ...        | .004 ex (.10)                 |
| ins. ...                          | 2.79×3.23              | ins. (mm.) ...                    | .002 in. (.05)                |
| Cylinder capacity                 |                        | Ignition, fully advanced          |                               |
| c/cm. (cu. ins.) ...              | 649 (40)               | ins. (mm.) ...                    | $\frac{33}{8}$ (9.2) B.T.D.C. |
| Compression ratio ...             | 8 : 1                  | Piston ring gap (Compression and  |                               |
| Engine sprocket, solo ...         | 24                     | Scraper) ins. (mm.)               | .010-.014 (.25-.35)           |
| Carburetter main jet (Amal) ...   | *250                   | Petrol tank, gallons (litres) ... | 4 (18)                        |
| Carburetter pilot jet (Amal) ...  | 25                     | Oil tank, pints (litres) ...      | 5 (3)                         |
| Carburetter slide (Amal) ...      | ...376/3 $\frac{1}{2}$ | Weight lbs. (dry) (kilos)         | 395 (179)                     |
| Carburetter needle jet (Amal) ... | .1065                  |                                   |                               |

\*270 without air filter

## TROPHY (TR6)

---

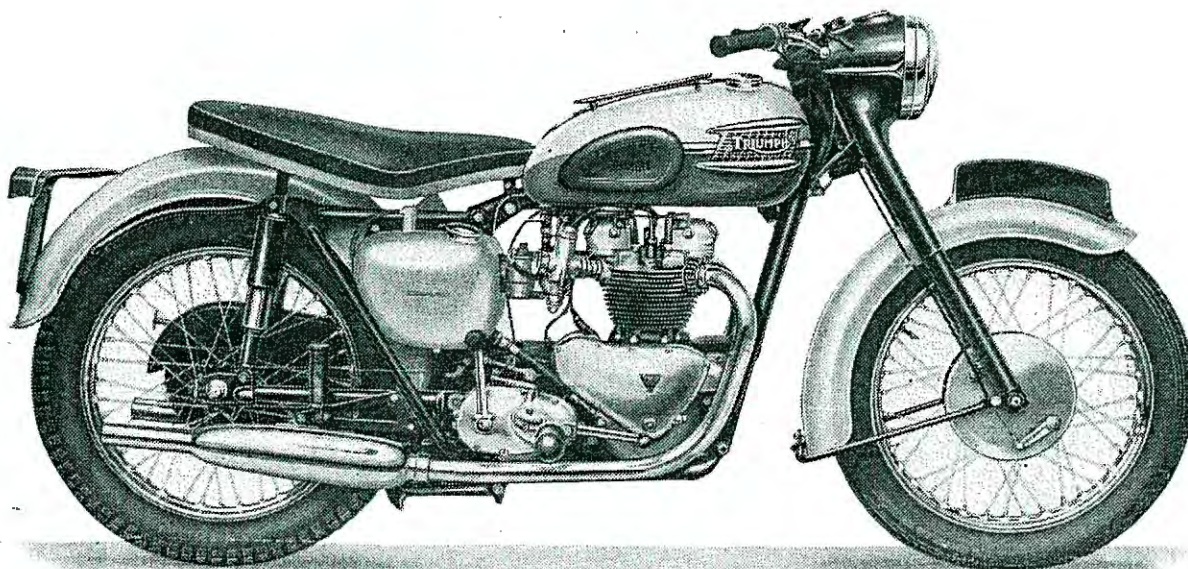
### SPECIFICATION

|                                   |                        |                                   |                               |
|-----------------------------------|------------------------|-----------------------------------|-------------------------------|
| Bore and stroke, mm. ...          | ...71×82               | Tappet clearance, cold ...        | .004 ex (.10)                 |
| ins. ...                          | 2.79×3.23              | ins. (mm.) ...                    | .002 in. (.05)                |
| Cylinder capacity                 |                        | Ignition, fully advanced          |                               |
| c/cm. (cu. ins.) ...              | 649 (40)               | ins. (mm.) ...                    | $\frac{33}{8}$ (9.2) B.T.D.C. |
| Compression ratio ...             | 8 : 1                  | Piston ring gap (Compression and  |                               |
| Engine sprocket, solo ...         | 24                     | Scraper) ins. (mm.)               | .010-.014 (.25-.35)           |
| Carburetter main jet (Amal) ...   | *250                   | Petrol tank, gallons (litres) ... | 4 (18)                        |
| Carburetter pilot jet (Amal) ...  | 25                     | Oil tank, pints (litres) ...      | 5 (3)                         |
| Carburetter slide (Amal) ...      | ...376/3 $\frac{1}{2}$ | Weight lbs. (dry) (kilos)         | 370 (168)                     |
| Carburetter needle jet (Amal) ... | .1065                  |                                   |                               |

\*270 without air filter

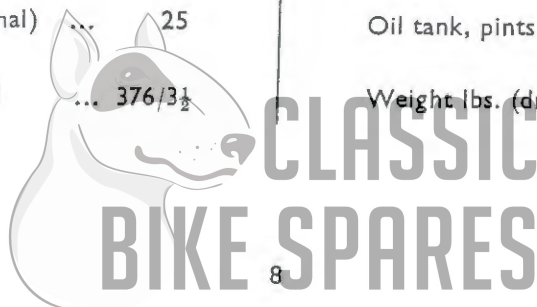


# BONNEVILLE 120 (T.120)



## SPECIFICATION

|                                  |             |  |                                |
|----------------------------------|-------------|--|--------------------------------|
| Bore and stroke, mm. ...         | 71 × 82     | Carburetter needle jet (Amal) ...                        | ·1065                          |
| ins. ...                         | 2·79 × 3·23 | Tappet clearance, cold ...                               | ·004 ex (·10)                  |
| Cylinder capacity                |             | ins. (mm.) ...   | ·002 in (·05)                  |
| c/cm. (cu. ins.) ...             | 649         | Ignition, fully advanced                                 |                                |
| Compression ratio ...            | 8 : 1       | ins. (mm.) ...   | $\frac{7}{16}$ " (11) B.T.D.C. |
| Engine sprocket, solo ...        | 24          | Piston ring gap (Compression and<br>Scrapper) ins. (mm.) | ·010-·014 (·25-·35)            |
| Carburetters main jet (Amal) ... | 240         | Petrol tank, gallons (litres) ...                        | 4 (18)                         |
| Carburetter pilot jet (Amal) ... | 25          | Oil tank, pints (litres) ...                             | 5 (3)                          |
| Carburetter slide (Amal) ...     | 376/31      | Weight lbs. (dry) (kilos)                                | 395 (179)                      |



## **CARTON PACK — GROUP 1**

Piston assemblies Part No. CP29, CPI58, CP98, CPI59, CPI63, CPI57 and Piston ring pack CP99 are being changed to include two taper compression rings instead of one plain and one taper ring.

The taper rings are, of course, fitted in the two top grooves with the etched marking "TOP" uppermost. If only one taper ring is supplied this should be fitted in the middle groove.





# CARTON PACK COMPONENT LIST—GROUP I

The following sub-assemblies are supplied in carton packs under the C.P. part number stated. The contents of these carton packs are preserved and will not deteriorate under adverse conditions.

| PART No.  | DESCRIPTION AND CONTENTS |     |     |        |     |     |                            |
|---|--------------------------|-----|-----|--------|-----|-----|----------------------------|
| <b>Brake Lining</b>                                       |                          |     |     |        |     |     |                            |
| CP.38   | 2                        | ... | ... | NW.243 | ... | ... | Lining, brake              |
|   | 16                       | ... | ... | W.129  | ... | ... | Rivet                      |
| <br>  |                          |     |     |        |     |     |                            |
| CP.66   | 2                        | ... | ... | W.631  | ... | ... | Lining, brake              |
|   | 16                       | ... | ... | W.129  | ... | ... | Rivet                      |
| <br>  |                          |     |     |        |     |     |                            |
| <b>Crankcase Bearing</b>                                  |                          |     |     |        |     |     |                            |
| CP.144  | ...                      | 2   | ... | E.1591 | ... | ... | Bearing ball, d/s and t/s  |
| <br>  |                          |     |     |        |     |     |                            |
| <b>Fork (Telescopic) Service Pack</b>                     |                          |     |     |        |     |     |                            |
| CP.50   | ...                      | 2   | ... | H.443  | ... | ... | Bearing, lower             |
|   |                          | 2   | ... | H.441  | ... | ... | Bearing, upper             |
|   |                          | 2   | ... | E.1335 | ... | ... | Washer, copper             |
|   |                          | 4   | ... | H.430  | ... | ... | Washer, drain filler plug  |
|   |                          | 2   | ... | H.452  | ... | ... | Restrictor, oil            |
|   |                          | 2   | ... | H.453  | ... | ... | Cup, oil restrictor        |
|   |                          | 2   | ... | H.454  | ... | ... | Pin, restrictor cup        |
|   |                          | 2   | ... | H.391  | ... | ... | Washer, dust excluder felt |
|   |                          | 2   | ... | H.420  | ... | ... | Washer, outer cover felt   |
|   |                          | 2   | ... | H.1065 | ... | ... | Washer, aluminium          |
| <br>  |                          |     |     |        |     |     |                            |
| <b>Gears, Standard Ratio (to convert from Wide ratio)</b> |                          |     |     |        |     |     |                            |
| CP.145  | ...                      | 1   | ... | T.1382 | ... | ... | Gear, mainshaft high       |
|   |                          | 1   | ... | T.916  | ... | ... | Gear, mainshaft 2nd        |
|   |                          | 1   | ... | T.1063 | ... | ... | Gear, layshaft and high    |
|   |                          | 1   | ... | T.1065 | ... | ... | Gear, layshaft 2nd         |
|   |                          | 1   | ... | T.934  | ... | ... | Gear, speedometer driven   |
| <br>  |                          |     |     |        |     |     |                            |
| <b>Gears, Wide Ratio (to convert from Standard ratio)</b> |                          |     |     |        |     |     |                            |
| CP.94   | ...                      | 1   | ... | T.1384 | ... | ... | Gear, mainshaft high       |
|   |                          | 1   | ... | T.968  | ... | ... | Gear, mainshaft 2nd        |
|   |                          | 1   | ... | T.971  | ... | ... | Gear, layshaft and high    |
|   |                          | 1   | ... | T.974  | ... | ... | Gear, layshaft 2nd         |
|   |                          | 1   | ... | T.975  | ... | ... | Gear, speedometer driven   |



PART No.

DESCRIPTION AND CONTENTS

**Gear, Close Ratio (to convert from Standard ratio)**

|       |     |     |   |     |     |        |     |     |                                    |
|-------|-----|-----|---|-----|-----|--------|-----|-----|------------------------------------|
| CP.95 | ... | ... | 1 | ... | ... | T.1177 | ... | ... | Mainshaft and low gear             |
|       |     |     |   | ... | ... | T.1383 | ... | ... | Gear, mainshaft high               |
|       |     |     |   | ... | ... | T.1179 | ... | ... | Gear, mainshaft 3rd                |
|       |     |     |   | ... | ... | T.955  | ... | ... | Gear, mainshaft 2nd                |
|       |     |     | 1 | ... | ... | T.959  | ... | ... | Layshaft and high gear             |
|       |     |     |   | ... | ... | T.964  | ... | ... | Gear, layshaft 3rd                 |
|       |     |     |   | ... | ... | T.963  | ... | ... | Gear, layshaft 2nd                 |
|       |     |     |   | ... | ... | T.961  | ... | ... | Gear, layshaft low                 |
|       |     |     |   | ... | ... | T.983  | ... | ... | Plug, speedometer drive<br>sealing |
|       |     |     | 1 | ... | ... | T.948  | ... | ... | Washer, speedometer drive<br>plug  |

**Kickstarter Ratchet Gear**

|       |     |     |   |     |     |        |     |     |                     |
|-------|-----|-----|---|-----|-----|--------|-----|-----|---------------------|
| CP.27 | ... | ... | 1 | ... | ... | T.730  | ... | ... | Pinion, kickstarter |
|       |     |     |   | ... | ... | T.731  | ... | ... | Ratchet, kickstart  |
|       |     |     |   | ... | ... | T.1250 | ... | ... | Spring, ratchet     |
|       |     |     |   | ... | ... | T.1338 | ... | ... | Sleeve              |
|       |     |     |   | ... | ... | T.732  | ... | ... | Lockwasher          |

**Pistons 500 c.c. Models**

|           |     |  |   |     |     |             |     |     |                                  |
|-----------|-----|--|---|-----|-----|-------------|-----|-----|----------------------------------|
| CP.109    | ... |  | 1 | ... | ... | E.3052      | ... | ... | Piston, CR. 5 : 1                |
|           |     |  |   | ... | ... | E.656       | ... | ... | Ring, first compression          |
|           |     |  |   | ... | ... | E.3048      | ... | ... | Ring, second compression (Taper) |
|           |     |  |   | ... | ... | GE.29       | ... | ... | Ring, scraper                    |
|           |     |  |   | ... | ... | WE.203E     | ... | ... | Pin, gudgeon                     |
|           |     |  | 2 | ... | ... | WE.479      | ... | ... | Circlip                          |
| CP.109/20 | ... |  | 1 | ... | ... | E.3052/20   | ... | ... | Piston, +.020", CR. 5 : 1        |
|           |     |  |   | ... | ... | E.656/20    | ... | ... | Ring, first compression          |
|           |     |  |   | ... | ... | E.3048/20   | ... | ... | Ring, second compression (Taper) |
|           |     |  |   | ... | ... | GE.29/20    | ... | ... | Ring, scraper                    |
|           |     |  |   | ... | ... | WE.203E...  | ... | ... | Pin, gudgeon                     |
|           |     |  | 2 | ... | ... | WE.479      | ... | ... | Circlip                          |
| CP.37     | ... |  | 1 | ... | ... | E.1969      | ... | ... | Piston, CR. 6 : 1                |
|           |     |  |   | ... | ... | E.656       | ... | ... | Ring, first compression          |
|           |     |  |   | ... | ... | E.3048      | ... | ... | Ring, second compression (Taper) |
|           |     |  |   | ... | ... | GE.29       | ... | ... | Ring, scraper                    |
|           |     |  |   | ... | ... | WE.203E...  | ... | ... | Pin, gudgeon                     |
|           |     |  | 2 | ... | ... | WE.479      | ... | ... | Circlip                          |
| CP.37/10  | ... |  | 1 | ... | ... | E.1969/10   | ... | ... | Piston, +.010", CR. 6 : 1        |
|           |     |  |   | ... | ... | E.656/10    | ... | ... | Ring, first compression          |
|           |     |  |   | ... | ... | E.3048/10   | ... | ... | Ring, second compression (Taper) |
|           |     |  |   | ... | ... | GE.29/10... | ... | ... | Ring, scraper                    |
|           |     |  |   | ... | ... | WE.203E...  | ... | ... | Pin, gudgeon                     |
|           |     |  | 2 | ... | ... | WE.479      | ... | ... | Circlip                          |



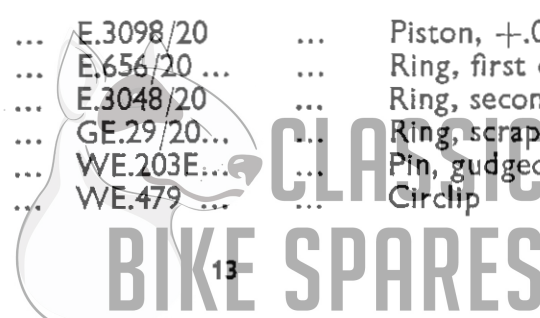
# GROUP I – CARTON PACK

| PART No. | DESCRIPTION AND CONTENTS |   |     |     |             |     |                                  |
|----------|--------------------------|---|-----|-----|-------------|-----|----------------------------------|
| CP.37/20 | ...                      | 1 | ... | ... | E.1969/20   | ... | Piston, +.020", CR. 6 : 1        |
|          |                          | 1 | ... | ... | E.656/20    | ... | Ring, first compression          |
|          |                          | 1 | ... | ... | E.3048/20   | ... | Ring, second compression (Taper) |
|          |                          | 1 | ... | ... | GE.29/20    | ... | Ring, scraper                    |
|          |                          | 1 | ... | ... | WE.203E     | ... | Pin, gudgeon                     |
|          |                          | 2 | ... | ... | WE.479      | ... | Circlip                          |
| CP.29    | ...                      | 1 | ... | ... | E.1563      | ... | Piston, CR. 7 : 1                |
|          |                          | 1 | ... | ... | E.656       | ... | Ring, first compression          |
|          |                          | 1 | ... | ... | E.3048      | ... | Ring, second compression (Taper) |
|          |                          | 1 | ... | ... | GE.29       | ... | Ring, scraper                    |
|          |                          | 1 | ... | ... | WE.203E...  | ... | Pin, gudgeon                     |
|          |                          | 2 | ... | ... | WE.479      | ... | Circlip                          |
| CP.29/10 | ...                      | 1 | ... | ... | E.1563/10   | ... | Piston, +.010", CR. 7 : 1        |
|          |                          | 1 | ... | ... | E.656/10    | ... | Ring, first compression          |
|          |                          | 1 | ... | ... | E.3048/10   | ... | Ring, second compression (Taper) |
|          |                          | 1 | ... | ... | GE.29/10... | ... | Ring, scraper                    |
|          |                          | 1 | ... | ... | WE.203E...  | ... | Pin, gudgeon                     |
|          |                          | 2 | ... | ... | WE.479      | ... | Circlip                          |
| CP.29/20 | ...                      | 1 | ... | ... | E.1563/20   | ... | Piston, +.020", CR. 7 : 1        |
|          |                          | 1 | ... | ... | E.656/20    | ... | Ring, first compression          |
|          |                          | 1 | ... | ... | E.3048/20   | ... | Ring, second compression (Taper) |
|          |                          | 1 | ... | ... | GE.29/20... | ... | Ring, scraper                    |
|          |                          | 1 | ... | ... | WE.203E...  | ... | Pin, gudgeon                     |
|          |                          | 2 | ... | ... | WE.479      | ... | Circlip                          |
| CP.29/30 | ...                      | 1 | ... | ... | E.1563/30   | ... | Piston, +.030", CR. 7 : 1        |
|          |                          | 1 | ... | ... | E.656/30    | ... | Ring, first compression          |
|          |                          | 1 | ... | ... | E.3048/30   | ... | Ring, second compression (Taper) |
|          |                          | 1 | ... | ... | GE.29/30... | ... | Ring, scraper                    |
|          |                          | 1 | ... | ... | WE.203E...  | ... | Pin, gudgeon                     |
|          |                          | 2 | ... | ... | WE.479      | ... | Circlip                          |
| CP.29/40 | ...                      | 1 | ... | ... | E.1563/40   | ... | Piston, +.040", CR. 7 : 1        |
|          |                          | 1 | ... | ... | E.656/40    | ... | Ring, first compression          |
|          |                          | 1 | ... | ... | E.3048/40   | ... | Ring, second compression (Taper) |
|          |                          | 1 | ... | ... | GE.29/40... | ... | Ring, scraper                    |
|          |                          | 1 | ... | ... | WE.203E...  | ... | Pin, gudgeon                     |
|          |                          | 2 | ... | ... | WE.479      | ... | Circlip                          |



# CARTON PACK – GROUP I

| PART No.  | DESCRIPTION AND CONTENTS |     |     |        |             |         |                                  |
|-----------|--------------------------|-----|-----|--------|-------------|---------|----------------------------------|
| CP.131    | ...                      | 1   | ... | ...    | E.1908      | ...     | Piston, CR. 7.6 : 1              |
|           |                          | 1   | ... | ...    | E.656       | ...     | Ring, first compression          |
|           |                          | 1   | ... | ...    | E.3048      | ...     | Ring, second compression (Taper) |
|           |                          | 1   | ... | ...    | GE.29       | ...     | Ring, scraper                    |
|           |                          | 1   | ... | ...    | WE.203E...  | ...     | Pin, gudgeon                     |
|           | 2                        | ... | ... | WE.479 | ...         | Circlip |                                  |
| CP.131/10 | ...                      | 1   | ... | ...    | E.1908/10   | ...     | Piston, +.010", CR. 7.6 : 1      |
|           |                          | 1   | ... | ...    | E.656/10    | ...     | Ring, first compression          |
|           |                          | 1   | ... | ...    | E.3048/10   | ...     | Ring, second compression (Taper) |
|           |                          | 1   | ... | ...    | GE.29/10... | ...     | Ring, scraper                    |
|           |                          | 1   | ... | ...    | WE.203E...  | ...     | Pin, gudgeon                     |
|           | 1                        | ... | ... | WE.479 | ...         | Circlip |                                  |
| CP.131/20 | ...                      | 1   | ... | ...    | E.1908/20   | ...     | Piston, +.020" CR. 7.6 : 1       |
|           |                          | 1   | ... | ...    | E.656/20    | ...     | Ring, first compression          |
|           |                          | 1   | ... | ...    | E.3048/20   | ...     | Ring, second compression (Taper) |
|           |                          | 1   | ... | ...    | GE.29/20... | ...     | Ring, scraper                    |
|           |                          | 1   | ... | ...    | WE.203E...  | ...     | Pin, gudgeon                     |
|           | 1                        | ... | ... | WE.479 | ...         | Circlip |                                  |
| CP.135    | ...                      | 1   | ... | ...    | E.3098      | ...     | Piston, CR. 8 : 1                |
|           |                          | 1   | ... | ...    | E.656       | ...     | Ring, first compression          |
|           |                          | 1   | ... | ...    | E.3048      | ...     | Ring, second compression (Taper) |
|           |                          | 1   | ... | ...    | GE.29       | ...     | Ring, scraper                    |
|           |                          | 1   | ... | ...    | WE.203E...  | ...     | Pin, gudgeon                     |
|           | 2                        | ... | ... | WE.479 | ...         | Circlip |                                  |
| CP.135/10 | ...                      | 1   | ... | ...    | E.3098/10   | ...     | Piston, +.010" CR. 8 : 1         |
|           |                          | 1   | ... | ...    | E.656/10    | ...     | Ring, first compression          |
|           |                          | 1   | ... | ...    | E.3048/10   | ...     | Ring, second compression (Taper) |
|           |                          | 1   | ... | ...    | GE.29/10... | ...     | Ring, scraper                    |
|           |                          | 1   | ... | ...    | WE.203E...  | ...     | Pin, gudgeon                     |
|           | 2                        | ... | ... | WE.479 | ...         | Circlip |                                  |
| CP.135/20 | ...                      | 1   | ... | ...    | E.3098/20   | ...     | Piston, +.020", CR. 8 : 1        |
|           |                          | 1   | ... | ...    | E.656/20    | ...     | Ring, first compression          |
|           |                          | 1   | ... | ...    | E.3048/20   | ...     | Ring, second compression (Taper) |
|           |                          | 1   | ... | ...    | GE.29/20... | ...     | Ring, scraper                    |
|           |                          | 1   | ... | ...    | WE.203E...  | ...     | Pin, gudgeon                     |
|           | 2                        | ... | ... | WE.479 | ...         | Circlip |                                  |



# GROUP I – CARTON PACK

| PART No.  |     | DESCRIPTION AND CONTENTS |   |
|-----------|-----|--------------------------|---|
| CP.133    | ... | 1                        | E.2489 ... .. Piston, CR. 8.5 : 1                 |
|           | ... | 1                        | E.656 ... .. Ring, first compression              |
|           | ... | 1                        | E.3048 ... .. Ring, second compression (Taper)    |
|           | ... | 1                        | GE.29 ... .. Ring, scraper                        |
|           | ... | 1                        | WE.203E... .. Pin, gudgeon                        |
|           | ... | 2                        | WE.479 ... .. Circlip                             |
| CP.133/10 | ... | 1                        | E.2489/10 ... .. Piston, +.010", CR. 8.5 : 1      |
|           | ... | 1                        | E.656/10 ... .. Ring, first compression           |
|           | ... | 1                        | E.3048/10 ... .. Ring, second compression (Taper) |
|           | ... | 1                        | GE.29/10... .. Ring, scraper                      |
|           | ... | 1                        | WE.203E... .. Pin, gudgeon                        |
|           | ... | 2                        | WE.479 ... .. Circlip                             |
| CP.133/20 | ... | 1                        | E.2489/20 ... .. Piston, +.020" CR. 8.5 : 1       |
|           | ... | 1                        | E.656/20 ... .. Ring, first compression           |
|           | ... | 1                        | E.3048/20 ... .. Ring, second compression (Taper) |
|           | ... | 1                        | GE.29/20... .. Ring, scraper                      |
|           | ... | 1                        | WE.203E... .. Pin, gudgeon                        |
|           | ... | 2                        | WE.479 ... .. Circlip                             |
| CP.161    | ... | 1                        | E.3615 ... .. Piston, CR. 9 : 1                   |
|           | ... | 1                        | E.656 ... .. Ring, first compression              |
|           | ... | 1                        | E.3048 ... .. Ring, second compression (Taper)    |
|           | ... | 1                        | GE.29 ... .. Ring, scraper                        |
|           | ... | 1                        | WE.203E... .. Pin, gudgeon                        |
|           | ... | 2                        | WE.479 ... .. Circlip                             |
| CP.161/20 | ... | 1                        | E.3615/20 ... .. Piston, +.020", CR.9 : 1         |
|           | ... | 1                        | E.656/20 ... .. Ring, first compression           |
|           | ... | 1                        | E.3048/20 ... .. Ring, second compression (Taper) |
|           | ... | 1                        | GE.29/20... .. Ring, scraper                      |
|           | ... | 1                        | WE.203E... .. Pin, gudgeon                        |
|           | ... | 2                        | WE.479 ... .. Circlip                             |
| CP.134    | ... | 1                        | E.2884 ... .. Piston, CR. 9.5 : 1                 |
|           | ... | 1                        | E.656 ... .. Ring, first compression              |
|           | ... | 1                        | E.3048 ... .. Ring, second compression (Taper)    |
|           | ... | 1                        | GE.29 ... .. Ring, scraper                        |
|           | ... | 1                        | WE.203E... .. Pin, gudgeon                        |
|           | ... | 2                        | WE.479 ... .. Circlip                             |
| CP.132    | ... | 1                        | E.2671 ... .. Piston CR. 12 : 1                   |
|           | ... | 1                        | E.656 ... .. Ring, first compression              |
|           | ... | 1                        | E.3048 ... .. Ring, second compression (Taper)    |
|           | ... | 1                        | GE.29 ... .. Ring, scraper                        |
|           | ... | 1                        | WE.203E... .. Pin, gudgeon                        |
|           | ... | 2                        | WE.479 ... .. Circlip                             |



**PART No. DESCRIPTION AND CONTENTS**

**Pistons, 650 c.c. Models**

|                    |     |   |     |     |            |     |     |                                  |
|--------------------|-----|---|-----|-----|------------|-----|-----|----------------------------------|
| CP.158             | ... | 1 | ... | ... | E.3611     | ... | ... | Piston CR. 6.3 : 1               |
|                    |     |   | 1   | ... | E.2897     | ... | ... | Ring, first compression          |
|                    |     |   | 1   | ... | E.3049     | ... | ... | Ring, second compression (Taper) |
|                    |     |   | 1   | ... | E.2898     | ... | ... | Ring, scraper                    |
|                    |     |   | 1   | ... | WE.203E    | ... | ... | Pin, gudgeon                     |
|                    |     |   | 2   | ... | WE.479     | ... | ... | Circlip                          |
| CP.98 (6T only)    |     | 1 | ... | ... | E.2891     | ... | ... | Piston, CR. 7 : 1                |
|                    |     |   | 1   | ... | E.2897     | ... | ... | Ring, first compression          |
|                    |     |   | 1   | ... | E.3049     | ... | ... | Ring, second compression (Taper) |
|                    |     |   | 1   | ... | E.2898     | ... | ... | Ring, scraper                    |
|                    |     |   | 1   | ... | WE.203E... | ... | ... | Pin, gudgeon                     |
|                    |     |   | 2   | ... | WE.479     | ... | ... | Circlip                          |
| CP.98/10 (6T only) |     | 1 | ... | ... | E.2891/10  | ... | ... | Piston, +.010" CR. 7 : 1         |
|                    |     |   | 1   | ... | E.2897/10  | ... | ... | Ring, first compression          |
|                    |     |   | 1   | ... | E.3049/10  | ... | ... | Ring, second compression (Taper) |
|                    |     |   | 1   | ... | E.2898/10  | ... | ... | Ring, scraper                    |
|                    |     |   | 1   | ... | WE.203E    | ... | ... | Pin, gudgeon                     |
|                    |     |   | 2   | ... | WE.479     | ... | ... | Circlip                          |
| CP.98/20 (6T only) |     | 1 | ... | ... | E.2891/20  | ... | ... | Piston, +.020" CR. 7 : 1         |
|                    |     |   | 1   | ... | E.2897/20  | ... | ... | Ring, first compression          |
|                    |     |   | 1   | ... | E.3049/20  | ... | ... | Ring, second compression (Taper) |
|                    |     |   | 1   | ... | E.2898/20  | ... | ... | Ring, scraper                    |
|                    |     |   | 1   | ... | WE.203E... | ... | ... | Pin, gudgeon                     |
|                    |     |   | 2   | ... | WE.479     | ... | ... | Circlip                          |
| CP.159             | ... | 1 | ... | ... | E.3612     | ... | ... | Piston, CR. 7.5 : 1              |
|                    |     |   | 1   | ... | E.2897     | ... | ... | Ring, first compression          |
|                    |     |   | 1   | ... | E.3049     | ... | ... | Ring, second compression (Taper) |
|                    |     |   | 1   | ... | E.2898     | ... | ... | Ring, scraper                    |
|                    |     |   | 1   | ... | WE.203E    | ... | ... | Pin, gudgeon                     |
|                    |     |   | 2   | ... | WE.479     | ... | ... | Circlip                          |
| CP.159/10          | ... | 1 | ... | ... | E.3612/10  | ... | ... | Piston, +.010", CR. 7.5 : 1      |
|                    |     |   | 1   | ... | E.2897/10  | ... | ... | Ring, first compression          |
|                    |     |   | 1   | ... | E.3049/10  | ... | ... | Ring, second compression (Taper) |
|                    |     |   | 1   | ... | E.2898/10  | ... | ... | Ring, scraper                    |
|                    |     |   | 1   | ... | WE.203E... | ... | ... | Pin, gudgeon                     |
|                    |     |   | 2   | ... | WE.479     | ... | ... | Circlip                          |
| CP.159/20          | ... | 1 | ... | ... | E.3612/20  | ... | ... | Piston, +.020", CR. 7.5 : 1      |
|                    |     |   | 1   | ... | E.2897/20  | ... | ... | Ring, first compression          |
|                    |     |   | 1   | ... | E.3049/20  | ... | ... | Ring, second compression (Taper) |
|                    |     |   | 1   | ... | E.2898/20  | ... | ... | Ring, scraper                    |
|                    |     |   | 1   | ... | WE.203E... | ... | ... | Pin, gudgeon                     |
|                    |     |   | 2   | ... | WE.479     | ... | ... | Circlip                          |



# GROUP I – CARTON PACK

| PART No.  |     | DESCRIPTION AND CONTENTS |     |     |           |            |     |                                  |
|-----------|-----|--------------------------|-----|-----|-----------|------------|-----|----------------------------------|
| CP.163    | ... | 1                        | ... | ... | E.3670    | ...        | ... | Piston, CR. 8 : 1                |
|           |     |                          | 1   | ... | ...       | E.2897     | ... | Ring, first compression          |
|           |     |                          | 1   | ... | ...       | E.3049     | ... | Ring, second compression (Taper) |
|           |     |                          | 1   | ... | ...       | E.2898     | ... | Ring, scraper                    |
|           |     |                          | 1   | ... | ...       | WE.203E... | ... | Pin, gudgeon                     |
|           |     |                          | 2   | ... | ...       | WE.479     | ... | Circlip                          |
| CP.163/10 | ... | 1                        | ... | ... | E.3670/10 | ...        | ... | Piston, +.010", CR. 8 : 1        |
|           |     |                          | 1   | ... | ...       | E.2897/10  | ... | Ring, first compression          |
|           |     |                          | 1   | ... | ...       | E.3049/10  | ... | Ring, second compression (Taper) |
|           |     |                          | 1   | ... | ...       | E.2898/10  | ... | Ring, scraper                    |
|           |     |                          | 1   | ... | ...       | WE.203E... | ... | Pin, gudgeon                     |
|           |     |                          | 2   | ... | ...       | WE.479     | ... | Circlip                          |
| CP.163/20 | ... | 1                        | ... | ... | E.3670/20 | ...        | ... | Piston, +.020", CR. 8 : 1        |
|           |     |                          | 1   | ... | ...       | E.2897/20  | ... | Ring, first compression          |
|           |     |                          | 1   | ... | ...       | E.3049/20  | ... | Ring, second compression (Taper) |
|           |     |                          | 1   | ... | ...       | E.2898/20  | ... | Ring, scraper                    |
|           |     |                          | 1   | ... | ...       | WE.203E... | ... | Pin, gudgeon                     |
|           |     |                          | 2   | ... | ...       | WE.479     | ... | Circlip                          |
| CP.157    | ... | 1                        | ... | ... | E.3610    | ...        | ... | Piston, CR. 8.5 : 1              |
|           |     |                          | 1   | ... | ...       | E.2897     | ... | Ring, first compression (Taper)  |
|           |     |                          | 1   | ... | ...       | E.3049     | ... | Ring, second compression         |
|           |     |                          | 1   | ... | ...       | E.2898     | ... | Ring, scraper                    |
|           |     |                          | 1   | ... | ...       | WE.203E... | ... | Pin, gudgeon                     |
|           |     |                          | 2   | ... | ...       | WE.479     | ... | Circlip                          |
| CP.157/10 | ... | 1                        | ... | ... | E.3610/10 | ...        | ... | Piston, +.010" CR. 8.5 : 1       |
|           |     |                          | 1   | ... | ...       | E.2897/10  | ... | Ring, first compression (Taper)  |
|           |     |                          | 1   | ... | ...       | E.3049/10  | ... | Ring, second compression         |
|           |     |                          | 1   | ... | ...       | E.2898/10  | ... | Ring, scraper                    |
|           |     |                          | 1   | ... | ...       | WE.203E... | ... | Pin, gudgeon                     |
|           |     |                          | 2   | ... | ...       | WE.479     | ... | Circlip                          |
| CP.157/20 | ... | 1                        | ... | ... | E.3610/20 | ...        | ... | Piston, +.020", CR. 8.5 : 1      |
|           |     |                          | 1   | ... | ...       | E.2897/20  | ... | Ring, first compression (Taper)  |
|           |     |                          | 1   | ... | ...       | E.3049/20  | ... | Ring, second compression         |
|           |     |                          | 1   | ... | ...       | E.2898/20  | ... | Ring, scraper                    |
|           |     |                          | 1   | ... | ...       | WE.203E... | ... | Pin, gudgeon                     |
|           |     |                          | 2   | ... | ...       | WE.479     | ... | Circlip                          |
| CP.160    | ... | 1                        | ... | ... | E.3613    | ...        | ... | Piston, CR. 12 : 1               |
|           |     |                          | 1   | ... | ...       | E.2897     | ... | Ring, first compression (Taper)  |
|           |     |                          | 1   | ... | ...       | E.3049     | ... | Ring, second compression         |
|           |     |                          | 1   | ... | ...       | E.2898     | ... | Ring, scraper                    |
|           |     |                          | 1   | ... | ...       | WE.203E... | ... | Pin, gudgeon                     |
|           |     |                          | 2   | ... | ...       | WE.479     | ... | Circlip                          |

# CARTON PACK – GROUP I

PART No.

DESCRIPTION AND CONTENTS

## Piston Rings 500 c.c. Models

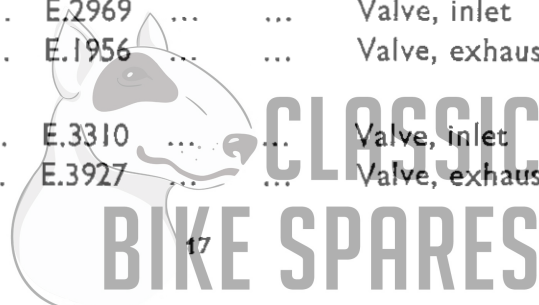
|          |     |     |   |     |             |     |     |                                  |
|----------|-----|-----|---|-----|-------------|-----|-----|----------------------------------|
| CP.40    | ... | ... | 2 | ... | E.656       | ... | ... | Ring, first compression          |
|          |     |     | 2 | ... | E.3048      | ... | ... | Ring, second compression (Taper) |
|          |     |     | 2 | ... | GE.29       | ... | ... | Ring, scraper                    |
| CP.40/10 | ... | ... | 2 | ... | E.656/10    | ... | ... | Ring, first compression          |
|          |     |     | 2 | ... | E.3048/10   | ... | ... | Ring, second compression (Taper) |
|          |     |     | 2 | ... | GE.29/10... | ... | ... | Ring, scraper                    |
| CP.40/20 | ... | ... | 2 | ... | E.656/20    | ... | ... | Ring, first compression          |
|          |     |     | 2 | ... | E.3048/20   | ... | ... | Ring, second compression (Taper) |
|          |     |     | 2 | ... | GE.29/20... | ... | ... | Ring, scraper                    |
| CP.40/40 | ... | ... | 2 | ... | E.656/40    | ... | ... | Ring, first compression          |
|          |     |     | 2 | ... | E.3048/40   | ... | ... | Ring, second compression (Taper) |
|          |     |     | 2 | ... | GE.29/40... | ... | ... | Ring, scraper                    |

## Piston Rings 650 c.c. Models

|          |     |     |   |     |           |     |     |                                  |
|----------|-----|-----|---|-----|-----------|-----|-----|----------------------------------|
| CP.99    | ... | ... | 2 | ... | E.2897    | ... | ... | Ring, first compression          |
|          |     |     | 2 | ... | E.3049    | ... | ... | Ring, second compression (Taper) |
|          |     |     | 2 | ... | E.2898    | ... | ... | Ring, scraper                    |
| CP.99/10 | ... | ... | 2 | ... | E.2897/10 | ... | ... | Ring, first compression          |
|          |     |     | 2 | ... | E.3049/10 | ... | ... | Ring, second compression (Taper) |
|          |     |     | 2 | ... | E.2898/10 | ... | ... | Ring, scraper                    |
| CP.99/20 | ... | ... | 2 | ... | E.2897/20 | ... | ... | Ring, first compression          |
|          |     |     | 2 | ... | E.3049/20 | ... | ... | Ring, second compression (Taper) |
|          |     |     | 2 | ... | E.2898/20 | ... | ... | Ring, scraper                    |

## Valves

|                            |     |     |   |     |        |     |     |                |
|----------------------------|-----|-----|---|-----|--------|-----|-----|----------------|
| CP.96 (6T)                 | ... | ... | 2 | ... | E.2903 | ... | ... | Valve, inlet   |
|                            |     |     | 2 | ... | E.2904 | ... | ... | Valve, exhaust |
| CP.103 (T100)              | ... | ... | 2 | ... | E.2969 | ... | ... | Valve, inlet   |
|                            |     |     | 2 | ... | E.1956 | ... | ... | Valve, exhaust |
| CP.173 (T110, TR6)<br>T120 | ... | ... | 2 | ... | E.3310 | ... | ... | Valve, inlet   |
|                            |     |     | 2 | ... | E.3927 | ... | ... | Valve, exhaust |





# GROUP I – CARTON PACK

PART No.

DESCRIPTION AND CONTENTS

## Valve Guides

|       |     |     |   |     |     |        |     |     |                |
|-------|-----|-----|---|-----|-----|--------|-----|-----|----------------|
| CP.97 | ... | ... | 2 | ... | ... | E.2899 | ... | ... | Guide, inlet   |
|       |     |     | 2 | ... | ... | E.2900 | ... | ... | Guide, exhaust |

## Valve Springs

|        |     |     |   |     |     |        |     |     |                        |
|--------|-----|-----|---|-----|-----|--------|-----|-----|------------------------|
| CP.5   | ... | ... | 4 | ... | ... | E.1488 | ... | ... | Spring, inner          |
|        |     |     | 4 | ... | ... | E.1487 | ... | ... | Spring, outer          |
| CP.102 | ... | ... | 4 | ... | ... | E.3001 | ... | ... | Spring, inner (racing) |
|        |     |     | 4 | ... | ... | E.3002 | ... | ... | Spring, outer (racing) |

## Steering Races

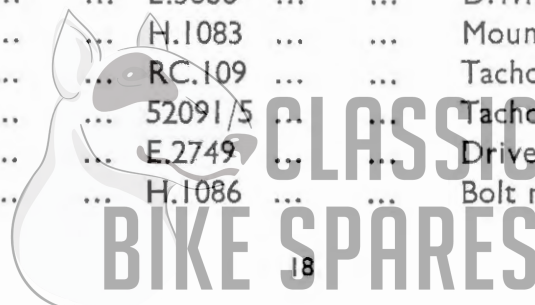
|        |     |    |     |     |     |        |     |     |                          |
|--------|-----|----|-----|-----|-----|--------|-----|-----|--------------------------|
| CP.156 | ... | 1  | ... | ... | ... | H.1018 | ... | ... | Cone and dust cover, top |
|        |     | 1  | ... | ... | ... | H.439  | ... | ... | Cone                     |
|        |     | 2  | ... | ... | ... | H.111  | ... | ... | Cups                     |
|        |     | 40 | ... | ... | ... | S70-3  | ... | ... | Balls                    |

## Sidecar Machine Jack

|        |     |   |     |     |     |        |     |     |         |
|--------|-----|---|-----|-----|-----|--------|-----|-----|---------|
| CP.153 | ... | 1 | ... | ... | ... | F.4028 | ... | ... | Bracket |
|        |     | 1 | ... | ... | ... | F.2605 | ... | ... | Bolt    |
|        |     | 1 | ... | ... | ... | F.4029 | ... | ... | Jack    |

## Tachometer Drive Kit (for TR.6)

|        |     |   |     |     |     |         |     |     |                                   |
|--------|-----|---|-----|-----|-----|---------|-----|-----|-----------------------------------|
| CP.162 | ... | 1 | ... | ... | ... | E.3677  | ... | ... | Timing gear cover                 |
|        |     | 1 | ... | ... | ... | E.3678  | ... | ... | Grub Screw                        |
|        |     | 1 | ... | ... | ... | E.3679  | ... | ... | Bearing housing assembly, driving |
|        |     | 1 | ... | ... | ... | E.3682  | ... | ... | Bearing housing assembly, driven  |
|        |     | 1 | ... | ... | ... | E.3685  | ... | ... | L.H. nut                          |
|        |     | 1 | ... | ... | ... | E.3686  | ... | ... | Driving Gear                      |
|        |     | 1 | ... | ... | ... | H.1083  | ... | ... | Mounting bracket                  |
|        |     | 1 | ... | ... | ... | RC.109  | ... | ... | Tachometer head                   |
|        |     | 1 | ... | ... | ... | 52091/5 | ... | ... | Tachometer drive cable            |
|        |     | 1 | ... | ... | ... | E.2749  | ... | ... | Driven gear                       |
|        |     | 2 | ... | ... | ... | H.1086  | ... | ... | Bolt mounting bracket             |



## REPLACEMENT PARTS

| REF. No. | PART No. | DESCRIPTION | 6T | T100 | T110 | TR6 | T120 |
|----------|----------|-------------|----|------|------|-----|------|
|----------|----------|-------------|----|------|------|-----|------|

## ENGINE—GROUP 2

## CYLINDER BLOCK

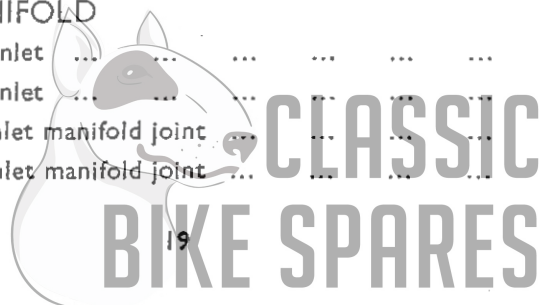
|   |           |                       |     |     |     |     |     |   |   |   |   |   |
|---|-----------|-----------------------|-----|-----|-----|-----|-----|---|---|---|---|---|
| 1 | E3332     | Block, cylinder       | ... | ... | ... | ... | ... | 1 | — | 1 | — | 1 |
| 2 | E3591     | Block, cylinder       | ... | ... | ... | ... | ... | — | 1 | — | — | — |
| 3 | E3332/TR6 | Block, cylinder       | ... | ... | ... | ... | ... | — | — | — | 1 | — |
| 4 | E2894     | Washer, cylinder base | ... | ... | ... | ... | ... | 1 | — | 1 | 1 | 1 |
| 5 | E2249     | Washer, cylinder base | ... | ... | ... | ... | ... | — | 1 | — | — | — |

## CYLINDER HEAD

|    |        |  |     |     |     |     |     |   |   |   |   |   |
|----|--------|--|-----|-----|-----|-----|-----|---|---|---|---|---|
| 6  | E3873  | Head, cylinder c/w guides                                | ... | ... | ... | ... | ... | 1 | — | — | — | — |
| 7  | E3593  | Head, cylinder c/w guides                                | ... | ... | ... | ... | ... | — | 1 | — | — | — |
| 8  | E3924  | Head, cylinder c/w guides                                | ... | ... | ... | ... | ... | — | — | 1 | 1 | — |
| 9  | E4019  | Head, c/w guides and adaptors                            | ... | ... | ... | ... | ... | — | — | — | — | 1 |
| 10 | E3940  | Adaptor, carb. to head                                   | ... | ... | ... | ... | ... | — | — | — | — | 2 |
| 11 | E3847  | Locknut, carb. adaptor                                   | ... | ... | ... | ... | ... | — | — | — | — | 2 |
| 12 | E2961  | Adaptor, exhaust pipe                                    | ... | ... | ... | ... | ... | — | 2 | — | — | — |
| 13 | E3583  | Adaptor, exhaust pipe                                    | ... | ... | ... | ... | ... | — | — | 2 | 2 | 2 |
| 14 | E3614  | Gasket, cylinder head                                    | ... | ... | ... | ... | ... | 1 | — | 1 | 1 | 1 |
| 15 | E3003  | Gasket, cylinder head                                    | ... | ... | ... | ... | ... | — | 1 | — | — | — |
| 16 | E327   | Bolt, cylinder head, short, 3 $\frac{3}{8}$ " U/H        | ... | ... | ... | ... | ... | 4 | — | 4 | 4 | 4 |
| 17 | E1484  | Bolt, cylinder head, medium, 5 $\frac{1}{8}$ " U/H       | ... | ... | ... | ... | ... | 2 | — | 2 | 2 | 2 |
| 18 | E1596  | Bolt, cylinder head (torque stay) 6 $\frac{3}{16}$ " U/H | ... | ... | ... | ... | ... | 2 | — | 2 | 2 | 2 |
| 19 | E1596A | Bolt, cylinder head (torque stay) 5 $\frac{7}{8}$ " U/H  | ... | ... | ... | ... | ... | — | 2 | — | — | — |
| 20 | E2873  | Bolt, cylinder head, short 3 $\frac{3}{4}$ " U/H         | ... | ... | ... | ... | ... | — | 4 | — | — | — |
| 21 | E2874  | Bolt, cylinder head, medium 5 $\frac{1}{8}$ " U/H        | ... | ... | ... | ... | ... | — | 2 | — | — | — |
| 22 | GS308  | Washer, cylinder head bolt                               | ... | ... | ... | ... | ... | 4 | — | — | — | — |
| 23 | F2184  | Washer, cylinder head bolt                               | ... | ... | ... | ... | ... | — | 8 | 8 | 8 | 8 |

## INLET MANIFOLD

|    |       |                              |     |     |     |     |     |   |   |   |   |   |
|----|-------|------------------------------|-----|-----|-----|-----|-----|---|---|---|---|---|
| 24 | E3304 | Manifold, inlet              | ... | ... | ... | ... | ... | 1 | — | 1 | 1 | — |
| 25 | E3307 | Manifold, inlet              | ... | ... | ... | ... | ... | — | 1 | — | — | — |
| 26 | E3334 | Washer, inlet manifold joint | ... | ... | ... | ... | ... | 2 | — | 2 | 2 | — |
| 27 | E2967 | Washer, inlet manifold joint | ... | ... | ... | ... | ... | — | 2 | — | — | — |



# GROUP 2 – ENGINE

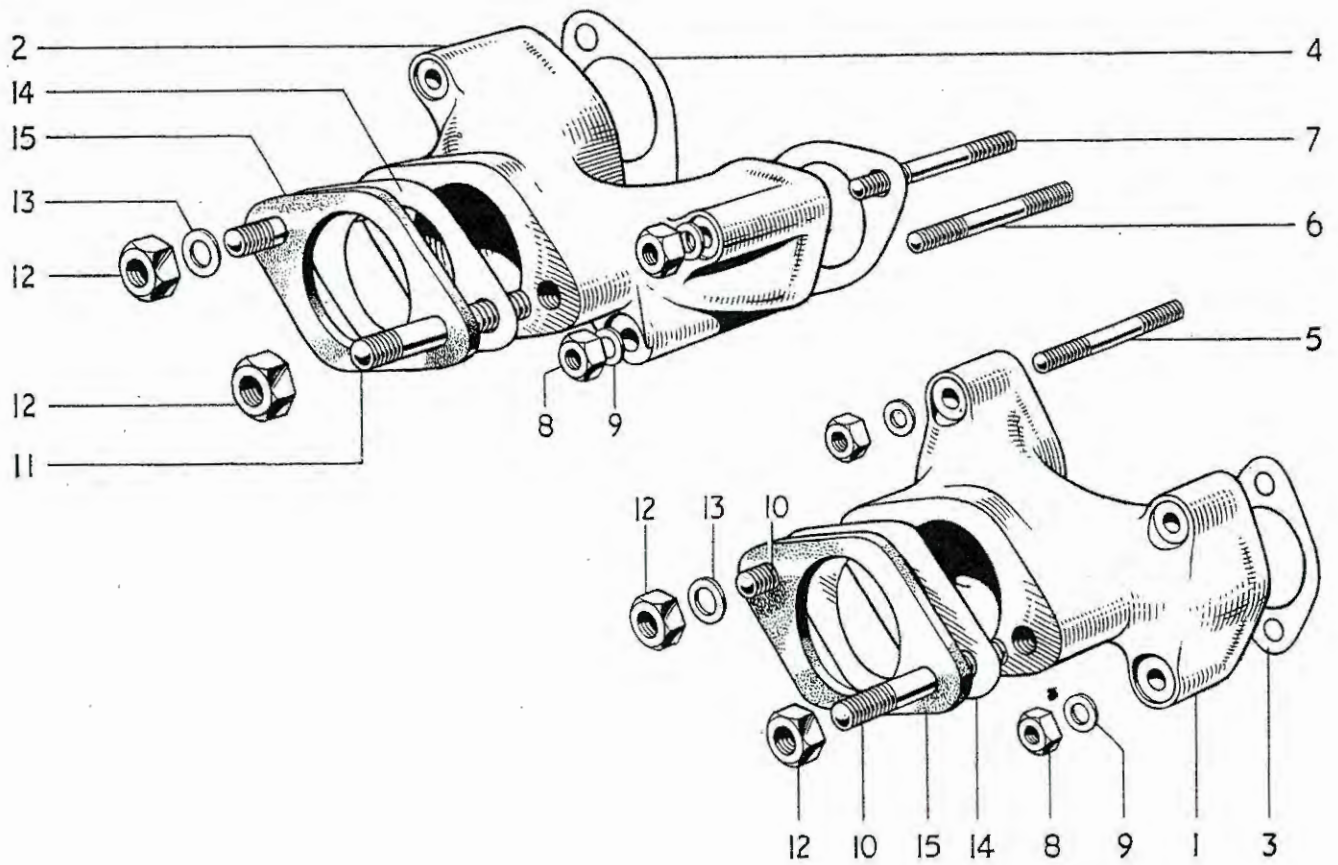
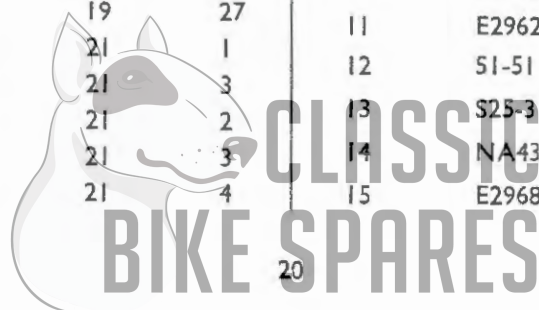


FIG. 1. INLET MANIFOLDS

## INDEX

| Illust. No. | Part No. | Page No. | Ref. No. | Illust. No. | Part No. | Page No. | Ref. No. |
|-------------|----------|----------|----------|-------------|----------|----------|----------|
| 1           | E3304    | 19       | 24       | 9           | S25-13   | 21       | 5        |
| 2           | E3307    | 19       | 25       | 10          | E1553    | 21       | 6        |
| 3           | E3334    | 19       | 26       |             | E2962    | 21       | 7        |
| 4           | E2967    | 19       | 27       | 11          | E2962    | 21       | 7        |
| 5           | E2920    | 21       | 1        | 12          | 51-51    | 21       | 8        |
|             | E2973    | 21       | 3        | 13          | S25-3    | 21       | 9        |
| 6           | E2972    | 21       | 2        | 14          | NA43A    | 94       | 20       |
| 7           | E2973    | 21       | 3        | 15          | E2968    | 94       | 21       |
| 8           | W103     | 21       | 4        |             |          |          |          |



| REF. No. | PART No. | DESCRIPTION   | 6T | T100 | T110 | TR6 | T120 |
|----------|----------|---|----|------|------|-----|------|
| 1        | E2920    | Stud, inlet manifold to head, 1 $\frac{3}{8}$ " O/A ...         | 4  | —    | —    | —   | —    |
| 2        | E2972    | Stud, inlet manifold to head, long, 2 $\frac{3}{8}$ " O/A ...   | —  | 2    | —    | —   | —    |
| 3        | E2973    | Stud, inlet manifold to head, short, 1 $\frac{5}{16}$ " O/A ... | —  | 2    | 4    | 4   | —    |
| 4        | W103     | Nut, inlet manifold to head ...                                 | 4  | 4    | 4    | 4   | —    |
| 5        | S25-13   | Washer, inlet manifold to head ...                              | 4  | 4    | 4    | 4   | —    |
| 6        | E1553    | Stud, carburetter fixing, 1 $\frac{3}{32}$ " O/A ...            | 2  | —    | —    | —   | —    |
| 7        | E2962    | Stud, carburetter fixing, 1 $\frac{7}{32}$ " O/A ...            | —  | 2    | 2    | 2   | —    |
| 8        | S1-51    | Nut, carburetter fixing ...                                     | 2  | 2    | 2    | 2   | —    |
| 9        | S25-3    | Washer, carburetter fixing ...                                  | 2  | 2    | 2    | 2   | —    |

### VALVES, GUIDES AND SPRINGS

|    |        |                              |   |   |   |   |   |
|----|--------|------------------------------|---|---|---|---|---|
| 10 | E2903  | Valve, inlet ...             | 2 | — | — | — | — |
| 11 | E2969  | Valve, inlet ...             | — | 2 | — | — | — |
| 12 | E3310  | Valve, inlet ...             | — | — | 2 | 2 | 2 |
| 13 | E2904  | Valve, exhaust ...           | 2 | — | — | — | — |
| 14 | E1956  | Valve, exhaust ...           | — | 2 | — | — | — |
| 15 | E3927  | Valve, exhaust ...           | — | — | 2 | 2 | 2 |
| 16 | E2899  | Guide, inlet valve ...       | 2 | 2 | 2 | 2 | — |
| 17 | E2900  | Guide, exhaust valve ...     | 2 | 2 | 2 | 2 | — |
| 18 | E3827  | Guide, inlet valve ...       | — | — | — | — | 2 |
| 19 | E3828  | Guide, exhaust valve ...     | — | — | — | — | 2 |
| 20 | E1488  | Spring, inner valve ...      | 2 | 2 | 2 | 2 | — |
| 21 | E1487  | Spring, outer valve ...      | 2 | 2 | 2 | 2 | — |
| 22 | E3001  | Spring, inner valve ...      | — | — | — | — | 4 |
| 23 | E3002  | Spring, outer valve ...      | — | — | — | — | 4 |
| 24 | E1543  | Collar, valve spring top ... | 4 | 4 | 4 | 4 | 4 |
| 25 | E1544  | Cup, valve spring bottom ... | 4 | 4 | 4 | 4 | 4 |
| 26 | WE259A | Cotter, valve split ...      | 8 | 8 | 8 | 8 | 8 |

### PISTONS

|    |          |   |   |   |   |   |   |
|----|----------|---|---|---|---|---|---|
| 27 | CP98     | Piston complete, standard CR7 : 1 ...   | 2 | — | — | — | — |
| 28 | CP98/10  | Piston complete, + .010" CR7 : 1 ...    | A | — | — | — | — |
| 29 | CP98/20  | Piston complete, + .020" CR7 : 1 ...    | A | — | — | — | — |
| 30 | CPI35    | Piston complete, standard CR8 : 1 ...   | — | 2 | — | — | — |
| 31 | CPI35/10 | Piston complete, + .010" CR8 : 1 ...    | — | A | — | — | — |
| 32 | CPI35/20 | Piston complete, + .020" CR8 : 1 ...    | — | A | — | — | — |
| 33 | CPI63    | Piston complete, standard CR8 : 1 ...   | — | — | 2 | 2 | — |
| 34 | CPI63/10 | Piston complete, + .010" CR8 : 1 ...    | — | — | A | A | — |
| 35 | CPI63/20 | Piston complete, + .020" CR8 : 1 ...    | — | — | A | A | — |
| 36 | CPI57    | Piston complete, standard CR8.5 : 1 ... | — | — | — | — | 2 |
| 37 | CPI57/10 | Piston complete, standard CR8.5 : 1 ... | — | — | — | — | A |
| 38 | CPI57/20 | Piston complete, standard CR8.5 : 1 ... | — | — | — | — | A |



## GROUP 2 — ENGINE

| REF. No. | PART No. | DESCRIPTION                                       | 6T | T100 | T110 | TR6 | T120 |
|----------|----------|---|----|------|------|-----|------|
| 1        | E656     | Ring, piston compression ... ..                   | —  | 2    | —    | —   | —    |
| 2        | E656/10  | Ring, piston compression, +.010" ... ..           | —  | A    | —    | —   | —    |
| 3        | E656/20  | Ring, piston compression, +.020" ... ..           | —  | A    | —    | —   | —    |
| 4        | E3048    | Ring, piston compression, standard (Taper) ... .. | —  | 2    | —    | —   | —    |
| 5        | E3048/10 | Ring, piston compression, +.010" (Taper) ... ..   | —  | A    | —    | —   | —    |
| 6        | E3048/20 | Ring, piston compression, +.020" (Taper) ... ..   | —  | A    | —    | —   | —    |
| 7        | GE29     | Ring, piston scraper, standard ... ..             | —  | 2    | —    | —   | —    |
| 8        | GE29/10  | Ring, piston scraper, +.010" ... ..               | —  | A    | —    | —   | —    |
| 9        | GE29/20  | Ring, piston scraper, +.020" ... ..               | —  | A    | —    | —   | —    |
| 10       | E3049    | Ring, piston compression, standard (Taper) ... .. | 4  | —    | 4    | 4   | 4    |
| 11       | E3049/10 | Ring, piston compression, +.010" (Taper) ... ..   | A  | —    | A    | A   | A    |
| 12       | E3049/20 | Ring, piston compression, +.020" (Taper) ... ..   | A  | —    | A    | A   | A    |
| 13       | E2898    | Ring, piston scraper, standard ... ..             | 2  | —    | 2    | 2   | 2    |
| 14       | E2898/10 | Ring, piston scraper, +.010" ... ..               | A  | —    | A    | A   | A    |
| 15       | E3898/20 | Ring, piston scraper, +.020" ... ..               | A  | —    | A    | A   | A    |
| 16       | WE203E   | Pin, gudgeon ... ..                               | 2  | 2    | 2    | 2   | 2    |
| 17       | WE479    | Circlip, gudgeon pin ... ..                       | 4  | 4    | 4    | 4   | 4    |

Piston assemblies (Alternative Compression Ratios) and piston ring sets are available in carton packs, see pages 11 to 16.

### CRANKSHAFT AND FLYWHEEL ASSEMBLY

|    |       |   |   |   |   |   |   |
|----|-------|---|---|---|---|---|---|
| 18 | E3893 | Crankshaft and flywheel assembly ... ..                   | 1 | — | 1 | 1 | 1 |
| 19 | E3890 | Crankshaft and flywheel assembly ... ..                   | — | 1 | — | — | — |
| 20 | E3894 | Crankshaft c/w oil tube ... ..                            | 1 | — | 1 | 1 | 1 |
| 21 | E3891 | Crankshaft c/w oil tube ... ..                            | — | 1 | — | — | — |
| 22 | E3903 | Oil tube, crankshaft ... ..                               | 1 | 1 | 1 | 1 | 1 |
| 23 | E3905 | Plug, crankshaft right side ... ..                        | 1 | 1 | 1 | 1 | 1 |
| 24 | E3906 | Flywheel ... ..   | 1 | 1 | 1 | 1 | 1 |
| 25 | E3907 | Bolt, flywheel to crankshaft ... ..                       | 3 | 3 | 3 | 3 | 3 |
| 26 | E2288 | Washer, serrated ... ..                                   | 3 | 3 | 3 | 3 | 3 |
| 27 | E3114 | Stud, crankshaft left side, 1 $\frac{3}{16}$ " O/A ... .. | 1 | 1 | 1 | 1 | 1 |



| REF. No.               | PART No. | DESCRIPTION  | 6T | T100 | T110 | TR6 | T120 |
|------------------------|----------|--|----|------|------|-----|------|
| <b>CONNECTING RODS</b> |          |  |    |      |      |     |      |
| 1                      | E3606    | Connecting rod, complete ... ..                            | 2  | 2    | 2    | 2   | 2    |
| 2                      | E3586    | Bearing, connecting rod big end ... ..                     | 4  | 4    | 4    | 4   | 4    |
| 3                      | E1511    | Bush, connecting rod small end ... ..                      | 2  | 2    | 2    | 2   | 2    |
| 4                      | E2490A   | Bolt, connecting rod to cap, 2 $\frac{3}{16}$ " U/H ... .. | 4  | 4    | 4    | 4   | 4    |
| 5                      | E2922    | Nut, connecting rod to cap bolt ... ..                     | 4  | 4    | 4    | 4   | 4    |

**Note.**—Connecting rod assembly does not include E3586 big end bearings. These bearings are also available in 0-010" and 0-020" undersizes.

|                  |             |   |   |   |   |   |   |
|------------------|-------------|---|---|---|---|---|---|
| <b>CRANKCASE</b> |             |   |   |   |   |   |   |
| 6                | E2892/3314  | Crankcase assembly, less main bearings ... ..                         | 1 | — | — | — | — |
| 7                | E2220A/3281 | Crankcase assembly, less main bearings ... ..                         | — | 1 | — | — | — |
| 8                | E2892/3282  | Crankcase assembly, less main bearings ... ..                         | — | — | 1 | 1 | 1 |
| 9                | E672        | Stud, crankcase cylinder base, 1 $\frac{1}{8}$ " O/A ... ..           | 6 | 6 | 6 | 6 | 6 |
| 10               | E3523       | Stud, crankcase cylinder base (Dowel), 1 $\frac{1}{8}$ " O/A ... ..   | 2 | 2 | 2 | 2 | 2 |
| 11               | W76         | Nut, crankcase cylinder base stud ... ..                              | 4 | — | 4 | 4 | 4 |
| 12               | PO172A      | Nut, crankcase cylinder base stud ... ..                              | 4 | — | 4 | 4 | 4 |
| 13               | E2412       | Nut, crankcase cylinder base stud ... ..                              | — | 8 | — | — | — |
| 14               | GS308       | Washer, crankcase cylinder base stud ... ..                           | — | 8 | — | — | — |
| 15               | E1534A      | Dowel, crankcase cylinder base stud (E3523) ... ..                    | 2 | 2 | 2 | 2 | 2 |
| 16               | E1579       | Dowel, crankcase halves ... ..  | 1 | 1 | 1 | 1 | 1 |
| 17               | E1534A      | Dowel, crankcase halves hollow ... ..                                 | 1 | 1 | 1 | 1 | 1 |
| 18               | E2022       | Stud, magneto/distributor to crankcase, 1 $\frac{1}{16}$ " O/A ... .. | 3 | 3 | 3 | 3 | 3 |
| 19               | F1008       | Nut, magneto to crankcase stud ... ..                                 | — | 3 | 3 | 3 | 3 |
| 20               | S25-3       | Washer, magneto to crankcase stud ... ..                              | — | 3 | 3 | 3 | 3 |
| 21               | S1-51       | Nut, distributor to crankcase stud ... ..                             | 3 | — | — | — | — |
| 22               | E1539       | Stud, oil junction block, 1 $\frac{7}{32}$ " O/A ... ..               | 1 | 1 | 1 | 1 | 1 |
| 23               | S1-51       | Nut, oil junction block stud ... ..                                   | 1 | 1 | 1 | 1 | 1 |
| 24               | S23-3       | Washer, oil junction block stud ... ..                                | 1 | 1 | 1 | 1 | 1 |
| 25               | E1532       | Dowel, oil junction block ... ..                                      | 1 | 1 | 1 | 1 | 1 |
| 26               | E1535       | Dowel, crankcase to timing cover ... ..                               | 1 | 1 | 1 | 1 | 1 |



# THUNDERBIRD (6T ENGINE)

## GROUP 2 - ENGINE

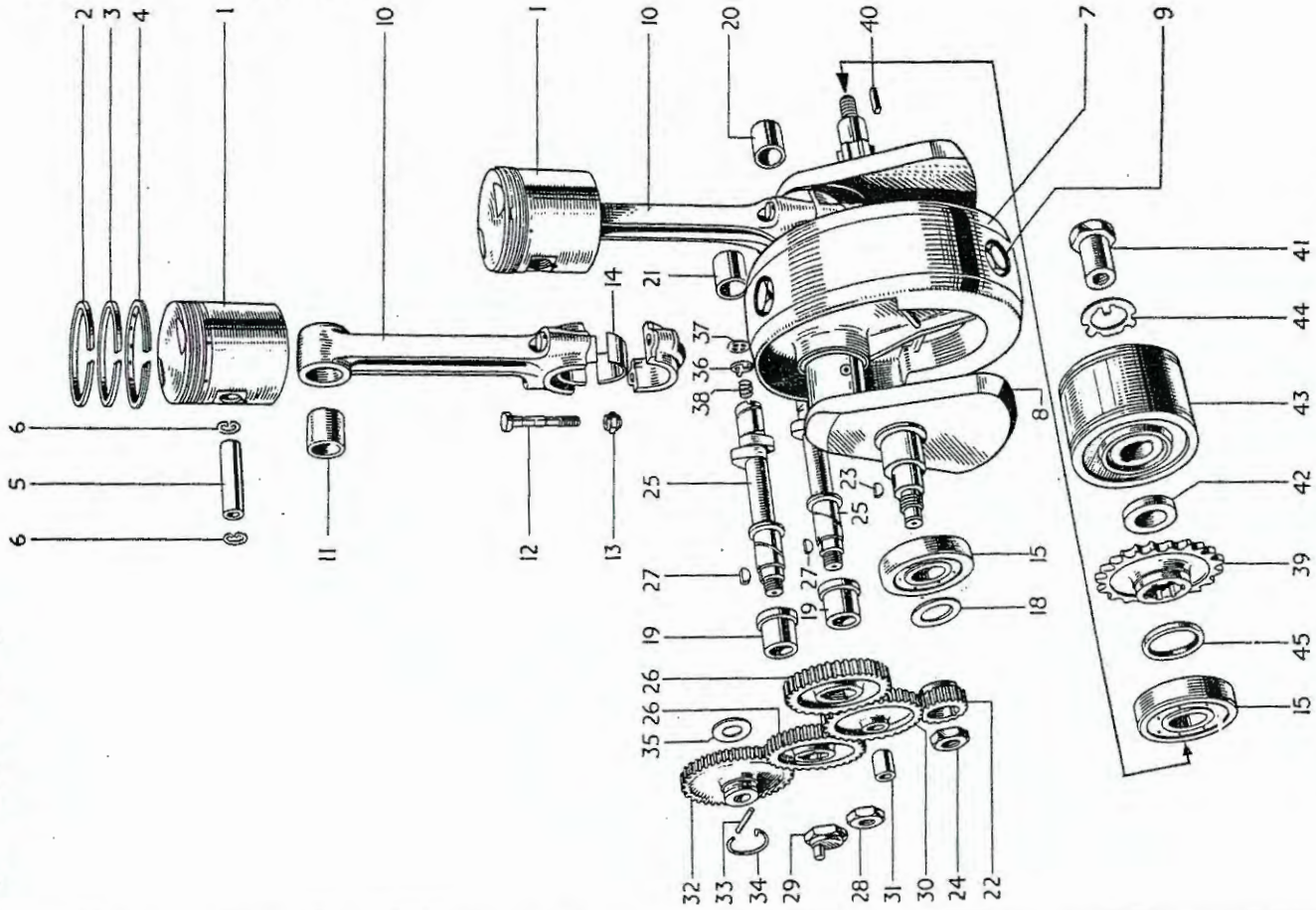


FIG. 3. CRANKSHAFT, CONNECTING RODS, PISTON TIMING GEAR, etc.

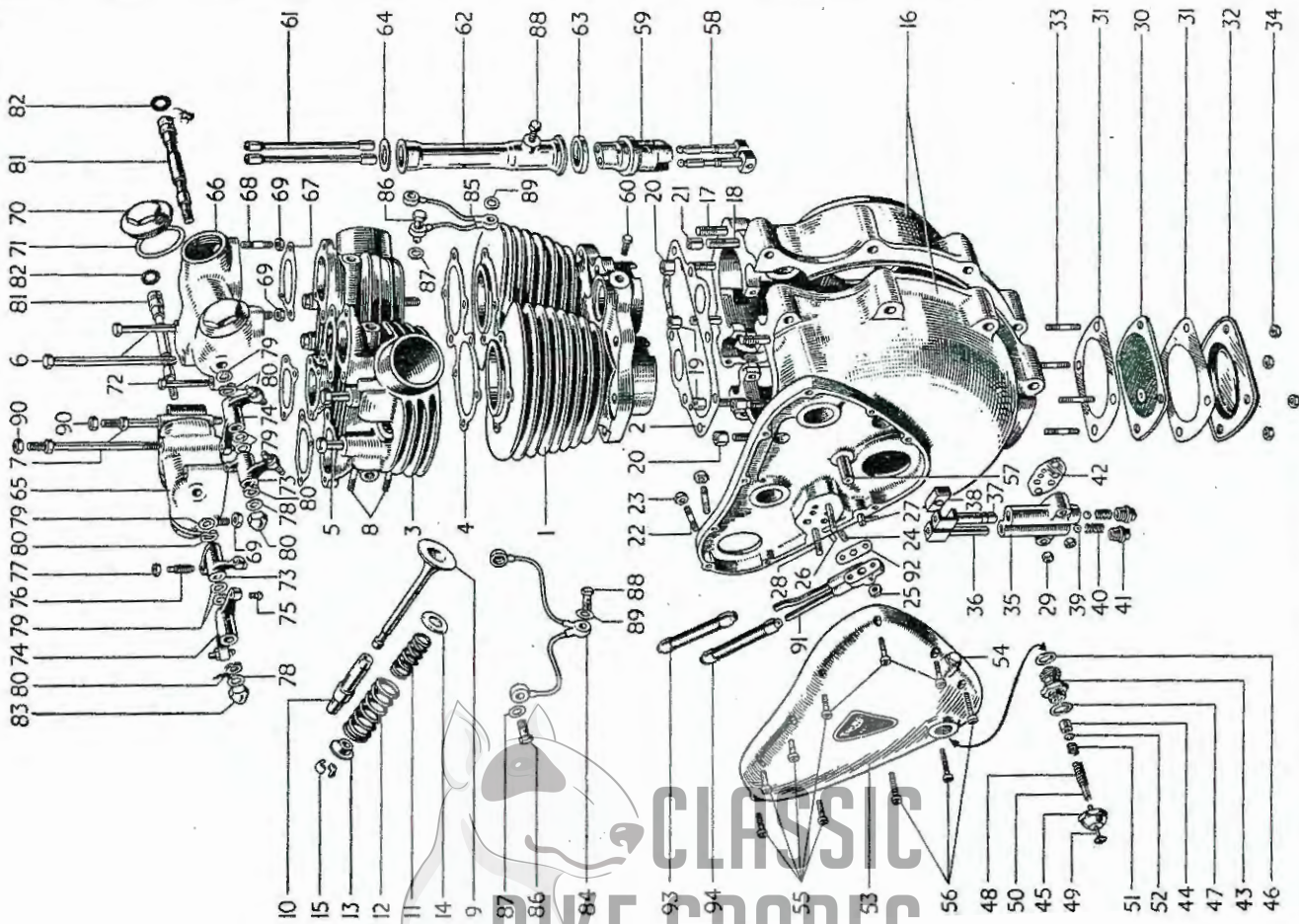


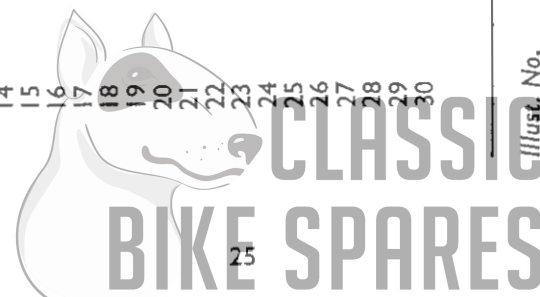
FIG. 2. CRANKCASE, CYLINDER BLOCK, CYLINDER HEAD, etc.

INDEX FIG. 2

| Illust. No. | Part No.   | Page No. | Ref. No. | Illust. No. | Part No. | Page No. | Ref. No. | Illust. No. | Part No. | Page No. | Ref. No. |
|-------------|------------|----------|----------|-------------|----------|----------|----------|-------------|----------|----------|----------|
| 1           | E3332      | 19       | 1        | 31          | E487     | 32       | 8        | 63          | E1496    | 34       | 15       |
| 2           | E2894      | 19       | 4        | 32          | E486     | 32       | 9        | 64          | E3547    | 34       | 16       |
| 3           | E3873      | 19       | 6        | 33          | E1540    | 32       | 10       | 65          | E1461T   | 34       | 17       |
| 4           | E3614      | 19       | 14       | 34          | F879     | 32       | 12       | 66          | E1462T   | 34       | 19       |
| 5           | E327       | 19       | 16       | 35          | GS35     | 32       | 27       | 67          | E1650    | 34       | 21       |
| 6           | E1484      | 19       | 17       | 36          | GS153    | 32       | 28       | 68          | E1540    | 34       | 23       |
| 7           | E1596      | 19       | 18       | 37          | E1476    | 32       | 29       | 69          | F879     | 34       | 25       |
| 8           | E2920      | 21       | 1        | 38          | E495     | 32       | 30       | 70          | E1564    | 34       | 27       |
| 9           | E2903      | 21       | 10       | 39          | S70-7    | 32       | 31       | 71          | E1577    | 34       | 28       |
| 10          | E2904      | 21       | 11       | 40          | E403     | 32       | 32       | 72          | E1545    | 34       | 29       |
| 11          | E2899      | 21       | 16       | 41          | E2360    | 32       | 33       | 73          | E1457    | 34       | 32       |
| 12          | E2900      | 21       | 17       | 42          | E1537    | 32       | 34       | 74          | E1458    | 34       | 33       |
| 13          | E1488      | 21       | 20       | 43          | E2794    | 33       | 2        | 75          | E1483    | 34       | 34       |
| 14          | E1487      | 21       | 21       | 44          | GS251    | 33       | 3        | 76          | E1513    | 34       | 35       |
| 15          | E1543      | 21       | 24       | 45          | E2790    | 33       | 4        | 77          | E470     | 34       | 36       |
| 16          | E1544      | 21       | 25       | 46          | E1670    | 33       | 5        | 78          | E1330    | 35       | 1        |
| 17          | WE259A     | 21       | 26       | 47          | GS254    | 33       | 6        | 79          | E1575    | 35       | 2        |
| 18          | E2892/3314 | 23       | 6        | 48          | E2788    | 33       | 7        | 80          | E1574    | 35       | 3        |
| 19          | E672       | 23       | 9        | 49          | E2791    | 33       | 8        | 81          | E1512    | 35       | 4        |
| 20          | E3523      | 23       | 10       | 50          | E2793    | 33       | 9        | 82          | E3253    | 35       | 5        |
| 21          | W76        | 23       | 11       | 51          | E2789    | 33       | 10       | 83          | E1435    | 35       | 6        |
| 22          | PO172A     | 23       | 12       | 52          | E2792    | 33       | 11       | 84          | GS272    | 35       | 10       |
| 23          | E1534A     | 23       | 15       | 53          | E3310/6T | 33       | 12       | 85          | GS273    | 35       | 11       |
| 24          | E2022      | 23       | 18       | 54          | E2615    | 33       | 25       | 86          | E1601    | 35       | 12       |
| 25          | SI-51      | 23       | 21       | 55          | E3437    | 33       | 27       | 87          | E1335    | 35       | 14       |
| 26          | E1539      | 23       | 22       | 56          | E3439    | 33       | 28       | 88          | E984     | 35       | 15       |
| 27          | SI-51      | 23       | 23       | 57          | E375     | 33       | 41       | 89          | F1880    | 35       | 16       |
| 28          | E1532      | 23       | 25       | 58          | E3059    | 34       | 6        | 90          | SI-52    | 50       | 19       |
| 29          | E1535      | 23       | 26       | 59          | E1477    | 34       | 7        | 91          | E3355    | 74       | 26       |
| 30          | E1536      | 32       | 1        | 60          | H200     | 34       | 9        | 92          | E1529    | 74       | 27       |
|             | F879       | 32       | 2        | 61          | E1693    | 34       | 11       | 93          | E3354    | 74       | 25       |
|             | E529       | 32       | 7        | 62          | E1505    | 34       | 13       | 94          | E3353    | 74       | 24       |

INDEX FIG. 3

| Illust. No. | Part No. | Page No. | Ref. No. | Illust. No. | Part No. | Page No. | Ref. No. | Illust. No. | Part No. | Page No. | Ref. No. |
|-------------|----------|----------|----------|-------------|----------|----------|----------|-------------|----------|----------|----------|
| 1           | CP98     | 21       | 27       | 18          | E3300    | 32       | 19       | 33          | E3125    | 33       | 43       |
| 2           | E3049    | 22       | 10       | 19          | E1479    | 32       | 15       | 34          | E3126    | 33       | 44       |
| 3           | E3049    | 22       | 10       | 20          | E1516    | 32       | 16       | 35          | 146460   | 33       | 45       |
| 4           | E2898    | 22       | 13       | 21          | E2200    | 32       | 17       | 36          | E2254    | 34       | 1        |
| 5           | WE203E   | 22       | 16       | 22          | E1472    | 33       | 29       | 37          | GS87     | 34       | 2        |
| 6           | WE479    | 22       | 17       | 23          | E1580    | 33       | 30       | 38          | E2256    | 34       | 3        |
| 7           | E3906    | 22       | 24       | 24          | E398     | 33       | 31       | 39          | E3108/24 | 35       | 17       |
| 8           | E3894    | 22       | 20       | 25          | E3275    | 33       | 32       | 40          | E3974    | 35       | 20       |
| 9           | E3907    | 22       | 25       | 26          | E1486A   | 33       | 32       | 41          | E3977    | 104      | 12       |
| 10          | E3606    | 23       | 1        | 27          | E1558    | 33       | 35       | 42          | E3116    | 104      | 9        |
| 11          | E1511    | 23       | 3        | 28          | E1492    | 33       | 36       | 43          | 423506   | 104      | 1        |
| 12          | E2490A   | 23       | 4        | 29          | E1463    | 33       | 37       | 44          | E3975    | 104      | 11       |
| 13          | E2922    | 23       | 5        | 30          | E1471    | 33       | 38       | 45          | H1168    | 32       | 14       |
| 14          | E3586    | 23       | 2        | 31          | E400     | 33       | 39       |             |          |          |          |
| 15          | E1591    | 32       | 13       | 32          | E3123    | 33       | 42       |             |          |          |          |





# TIGER 100 (T100) ENGINE

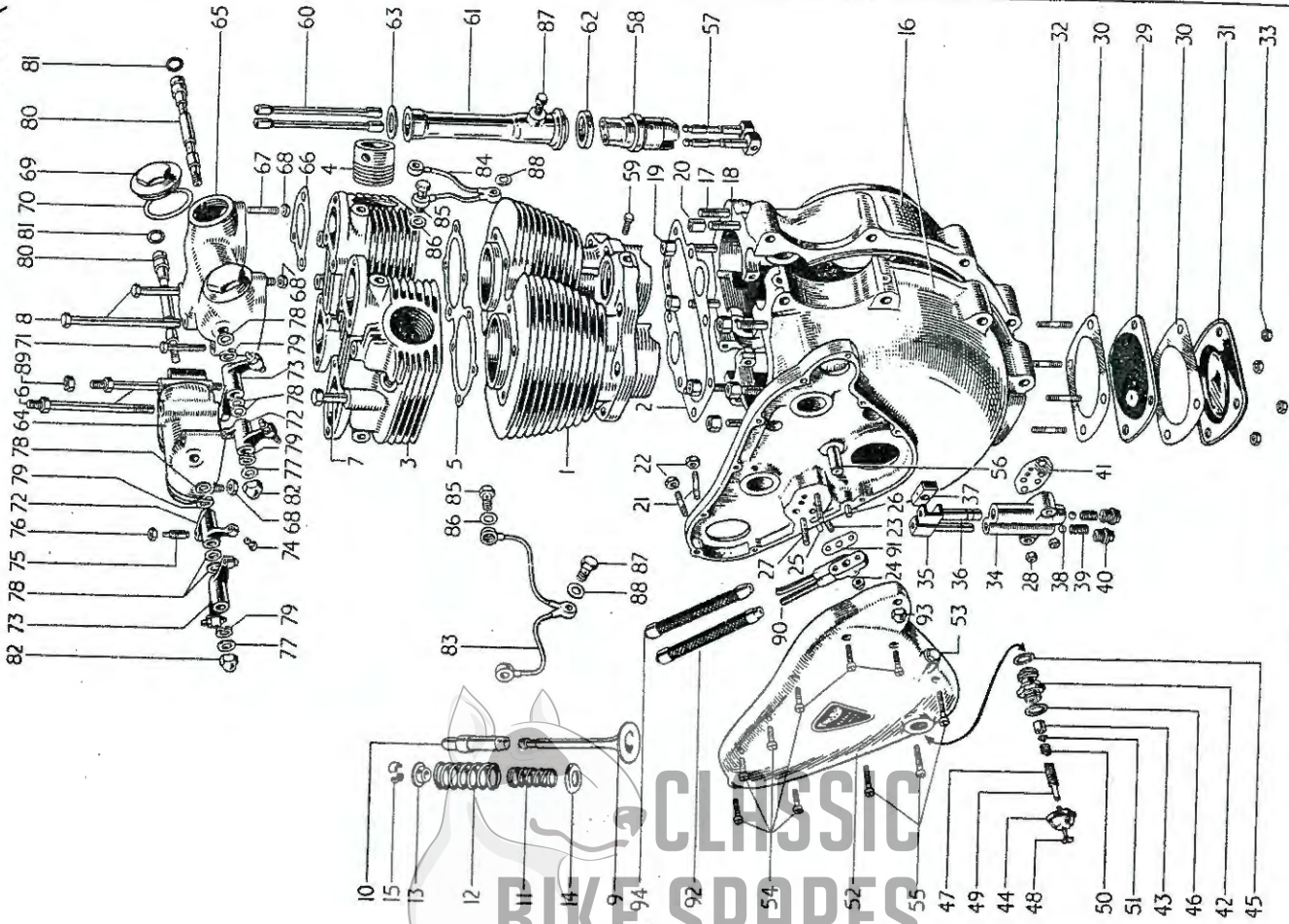


FIG. 4. CRANKCASE, CYLINDER BLOCK, CYLINDER HEAD, etc.

# GROUP 2 - ENGINE

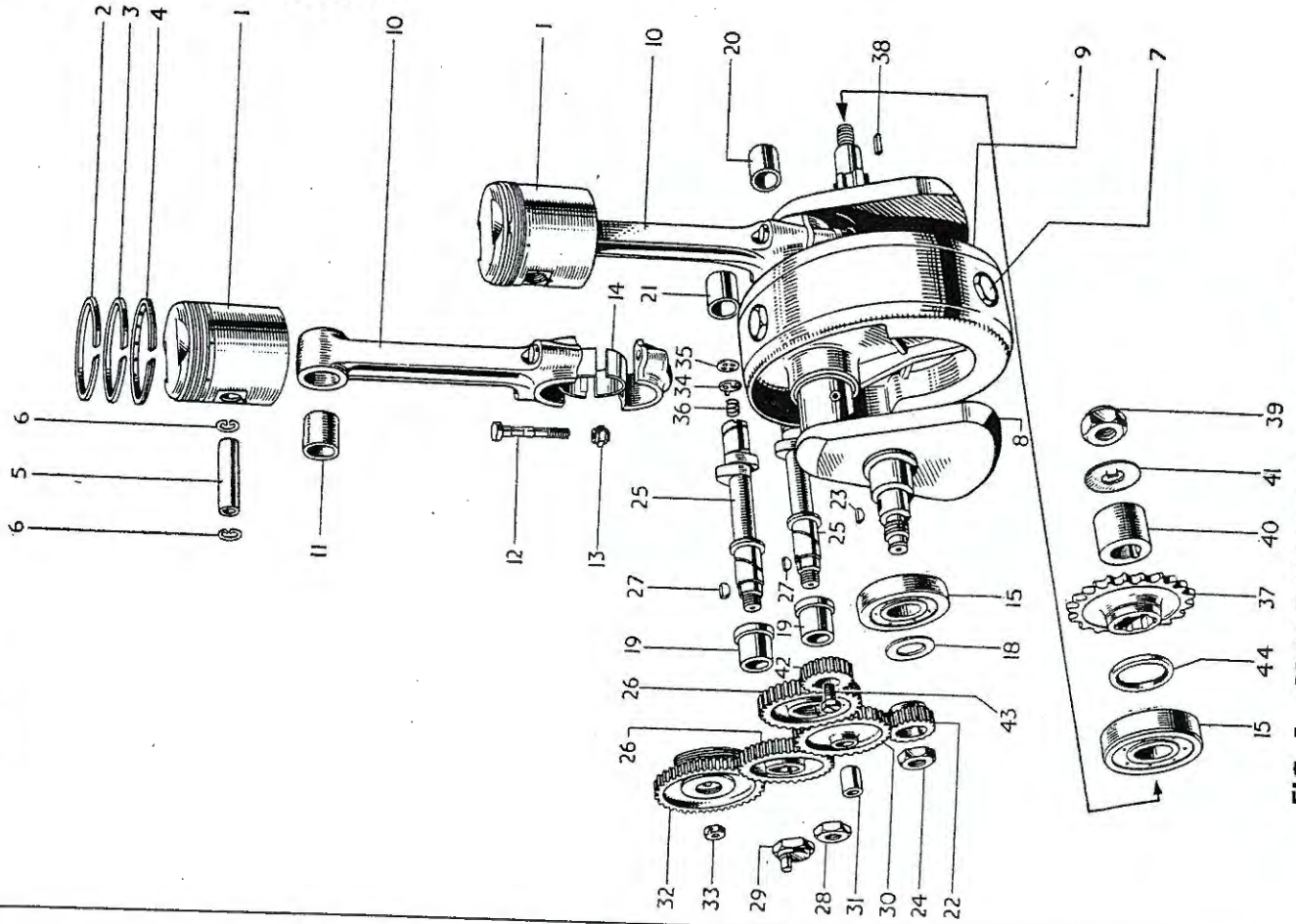
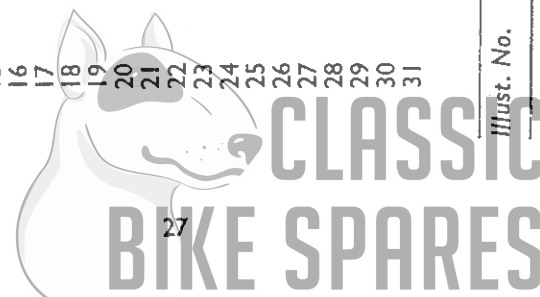


FIG. 5. CRANKSHAFT, CONNECTING RODS, PISTONS, TIMING GEARS, etc.

| Illust. No. | Part No.    | Page No. | Ref. No. | Illust. No. | Part No.   | Page No. | Ref. No. | Illust. No. | Part No. | Page No. | Ref. No. |
|-------------|-------------|----------|----------|-------------|------------|----------|----------|-------------|----------|----------|----------|
| 1           | E3591       | 19       | 2        | 32          | E1540      | 32       | 10       | 65          | E1462T   | 34       | 19       |
| 2           | E2249       | 19       | 5        | 33          | F879       | 32       | 12       | 66          | E1650    | 34       | 21       |
| 3           | E3593       | 19       | 7        | 34          | GS35       | 32       | 27       | 67          | E2980    | 34       | 24       |
| 4           | E2961       | 19       | 12       | 35          | GS153      | 32       | 28       | 68          | F879     | 34       | 25       |
| 5           | E3003       | 19       | 15       | 36          | E1476      | 32       | 29       | 69          | E1564    | 34       | 27       |
| 6           | E1596A      | 19       | 19       | 37          | E495       | 32       | 30       | 70          | E1577    | 34       | 28       |
| 7           | E2873       | 19       | 20       | 38          | S70-7      | 32       | 31       | 71          | E2982    | 34       | 30       |
| 8           | E2874       | 19       | 21       | 39          | E403       | 32       | 32       | 72          | E1457    | 34       | 32       |
| 9           | E2969       | 21       | 11       | 40          | E2360      | 32       | 33       | 73          | E1458    | 34       | 33       |
| 10          | E1956       | 21       | 14       | 41          | E1537      | 32       | 34       | 74          | E1483    | 34       | 34       |
|             | E2899       | 21       | 16       | 42          | E2794      | 33       | 2        | 75          | E1513    | 34       | 35       |
|             | E2900       | 21       | 17       | 43          | GS251      | 33       | 3        | 76          | E470     | 34       | 36       |
| 11          | E1488       | 21       | 20       | 44          | E2790      | 33       | 4        | 77          | E1330    | 35       | 1        |
| 12          | E1487       | 21       | 21       | 45          | E1670      | 33       | 5        | 78          | E1575    | 35       | 2        |
| 13          | E1543       | 21       | 24       | 46          | GS254      | 33       | 6        | 79          | E1574    | 36       | 3        |
| 14          | E1544       | 21       | 25       | 47          | E2788      | 33       | 7        | 80          | E1512    | 35       | 4        |
| 15          | WE259A      | 21       | 26       | 48          | E2791      | 33       | 8        | 81          | E3253    | 35       | 5        |
| 16          | E2220A/3281 | 23       | 7        | 49          | E2793      | 33       | 9        | 82          | E1435    | 35       | 6        |
| 17          | E672        | 23       | 9        | 50          | E2789      | 33       | 10       | 83          | GS272    | 35       | 10       |
| 18          | E3523       | 23       | 10       | 51          | E2792      | 33       | 11       | 84          | GS273    | 35       | 11       |
| 19          | E2412       | 23       | 13       | 52          | E2218/T100 | 33       | 13       | 85          | E2767    | 35       | 13       |
| 20          | E1534A      | 23       | 15       | 53          | E2615      | 33       | 25       | 86          | E1335    | 35       | 14       |
| 21          | E2022       | 23       | 18       | 54          | E3437      | 33       | 27       | 87          | E984     | 35       | 15       |
| 22          | F1008       | 23       | 19       | 55          | E3439      | 33       | 28       | 88          | F1880    | 35       | 16       |
| 23          | E1539       | 23       | 22       | 56          | E375       | 33       | 41       | 89          | S1-52    | 50       | 19       |
| 24          | S1-51       | 23       | 23       | 57          | E3059      | 34       | 6        | 90          | E3355    | 74       | 26       |
| 25          | E1532       | 23       | 25       | 58          | GS36       | 34       | 8        | 91          | E1529    | 74       | 27       |
| 26          | E1535       | 23       | 26       | 59          | H200       | 34       | 9        | 92          | E3353    | 74       | 24       |
| 27          | E1536       | 32       | 1        | 60          | E2620      | 34       | 12       | 93          | E2228    | 98       | 24       |
| 28          | F879        | 32       | 2        | 61          | E1505      | 34       | 13       | 94          | E3354    | 74       | 25       |
| 29          | E529        | 32       | 7        | 62          | E1496      | 34       | 15       |             |          |          |          |
| 30          | E487        | 32       | 8        | 63          | E3547      | 34       | 16       |             |          |          |          |
| 31          | E486        | 32       | 9        | 64          | E1461T     | 34       | 17       |             |          |          |          |

INDEX FIG. 5

| Illust. No. | Part No. | Page No. | Ref. No. | Illust. No. | Part No. | Page No. | Ref. No. | Illust. No. | Part No. | Page No. | Ref. No. |
|-------------|----------|----------|----------|-------------|----------|----------|----------|-------------|----------|----------|----------|
| 1           | CPI35    | 21       | 30       | 15          | E1591    | 32       | 13       | 30          | E1471    | 33       | 39       |
| 2           | E656     | 22       | 1        | 18          | E3300    | 32       | 19       | 31          | E400     | 33       | 40       |
| 3           | E3048    | 22       | 4        | 19          | E1479    | 32       | 15       | 32          | E2741    | 101      | 15       |
| 4           | GE29     | 22       | 7        | 20          | E1516    | 32       | 16       | 33          | I70104   | 101      | 16       |
| 5           | WE203E   | 22       | 16       | 21          | E2260    | 32       | 17       | 34          | E2254    | 34       | 1        |
| 6           | WE479    | 22       | 17       | 22          | E1472    | 32       | 29       | 35          | GS87     | 34       | 2        |
| 7           | E3906    | 22       | 24       | 23          | E1580    | 32       | 30       | 36          | E2256    | 34       | 3        |
| 8           | E3891    | 22       | 21       | 24          | E398     | 32       | 31       | 37          | E3108/22 | 35       | 18       |
| 9           | E3907    | 22       | 25       | 25          | E3275    | 33       | 32       | 38          | E3974    | 35       | 20       |
| 10          | E3606    | 23       | 1        | 26          | E3325    | 33       | 33       | 39          | E3120    | 35       | 23       |
| 11          | E1511    | 23       | 3        | 27          | E1486A   | 33       | 35       | 40          | E3976    | 35       | 21       |
| 12          | E2490A   | 23       | 4        | 28          | E1558    | 33       | 36       | 41          | E3119    | 35       | 22       |
| 13          | E2922    | 23       | 5        | 29          | E1492    | 33       | 37       | 42          | E2451    | 96       | 21       |
| 14          | E3586    | 23       | 2        | 29          | E1463    | 33       | 38       | 43          | I11704   | 96       | 22       |
|             |          |          |          |             |          |          |          | 44          | H1168    | 32       | 14       |



# TROPHY (TR6) AND TIGER 110 (T110) ENGINE

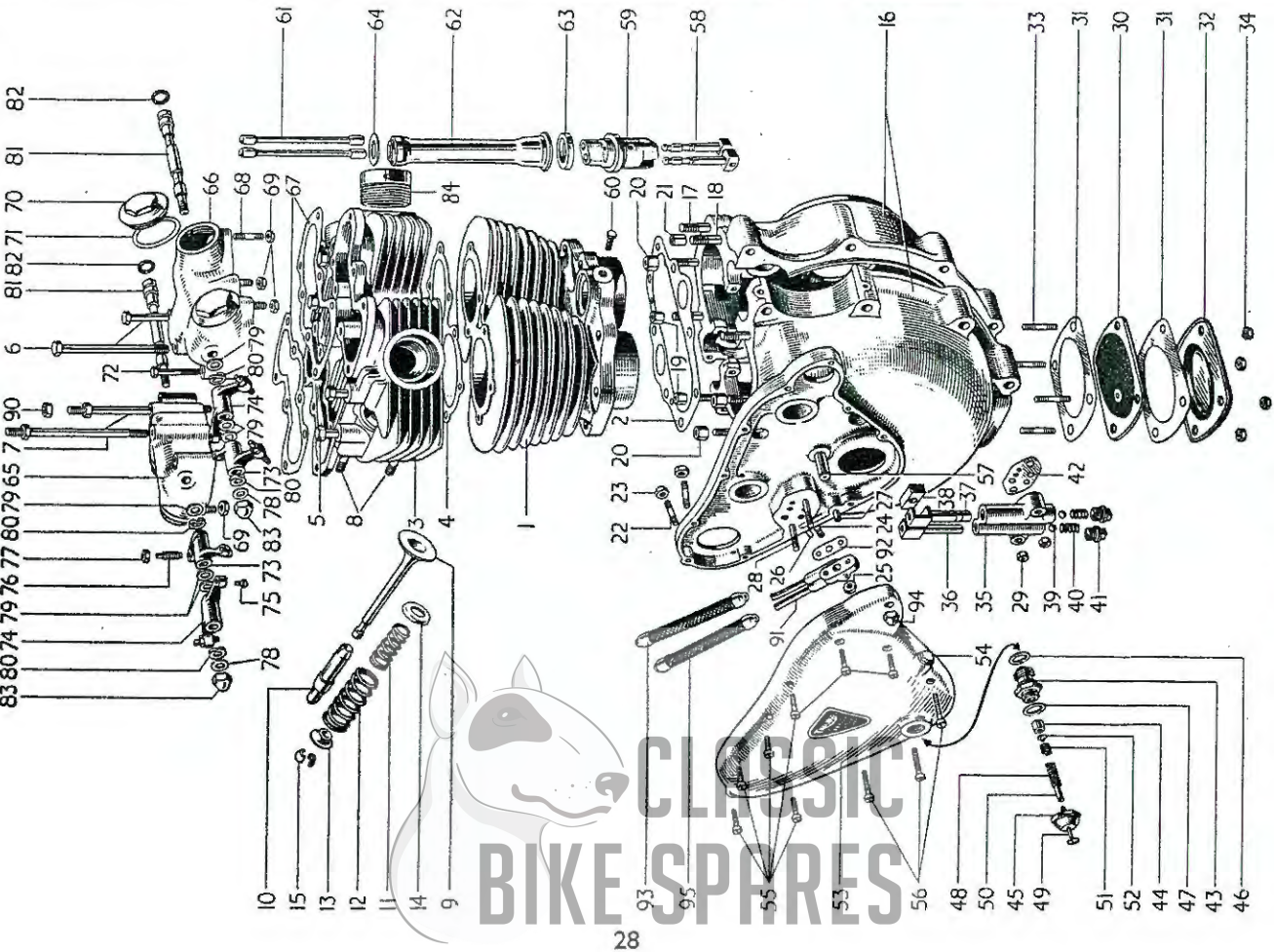


FIG. 6. CRANKCASE, CYLINDER BLOCK, CYLINDER HEAD, etc.

# GROUP 2 - ENGINE

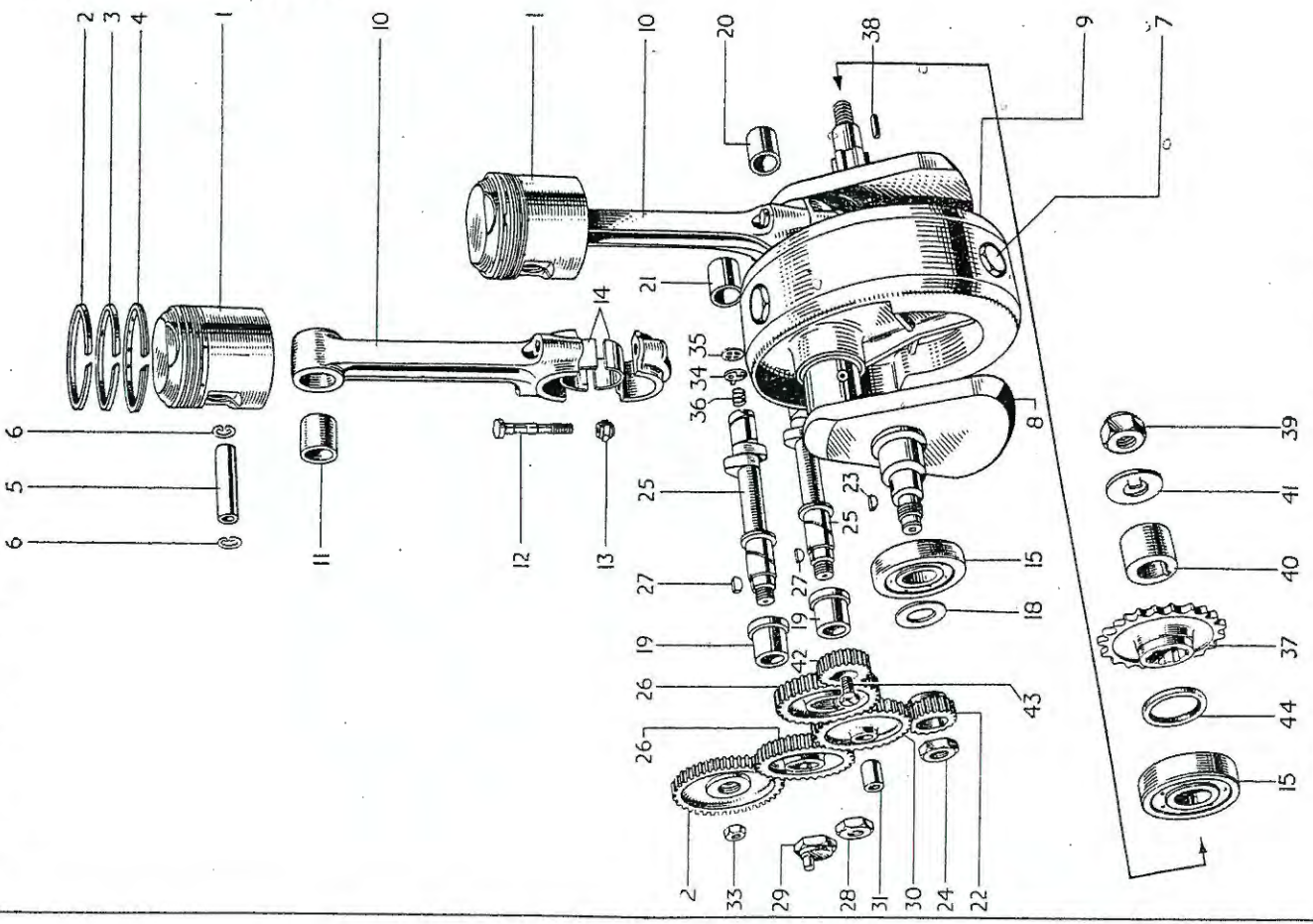


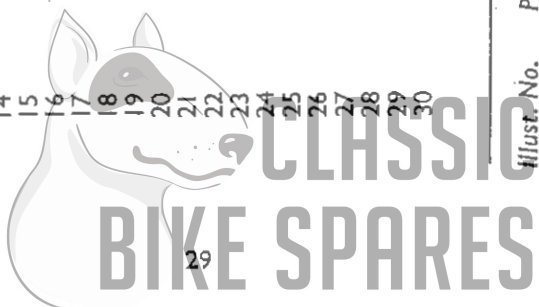
FIG. 7. CRANKSHAFT, CONNECTING RODS, PISTONS, TIMING GEARS, etc.

INDEX FIG. 6

| Illust. No. | Part No.   | Page No. | Ref. No. | Illust. No. | Part No.     | Page No. | Ref. No. | Illust. No. | Part No. | Page No. | Ref. No. |
|-------------|------------|----------|----------|-------------|--------------|----------|----------|-------------|----------|----------|----------|
| 1           | E3332      | 19       | 1        | 31          | E487         | 32       | 8        | 62          | E3646    | 34       | 14       |
| 2           | E3332/TR6  | 19       | 3        | 32          | E486         | 32       | 9        | 63          | E1496    | 34       | 15       |
| 3           | E2894      | 19       | 4        | 33          | E1540        | 32       | 10       | 64          | E3547    | 34       | 16       |
| 4           | E3924      | 19       | 8        | 34          | F879         | 32       | 12       | 65          | E3550    | 34       | 18       |
| 5           | E3614      | 19       | 14       | 35          | GS35         | 32       | 27       | 66          | E3551    | 34       | 20       |
| 6           | E327       | 19       | 16       | 36          | GS153        | 32       | 28       | 67          | E3552    | 34       | 22       |
| 7           | E1484      | 19       | 17       | 37          | E1476        | 32       | 29       | 68          | E2980    | 34       | 24       |
| 8           | E1596      | 19       | 18       | 38          | E495         | 32       | 30       | 69          | F879     | 34       | 25       |
| 9           | E2973      | 21       | 1        | 39          | S70-7        | 32       | 31       | 70          | E1564    | 34       | 27       |
| 10          | E3310      | 21       | 12       | 40          | E403         | 32       | 32       | 71          | E1577    | 34       | 28       |
|             | E3927      | 21       | 15       | 41          | E2360        | 32       | 33       | 72          | E1545    | 34       | 29       |
|             | E2899      | 21       | 16       | 42          | E1537        | 32       | 34       | 73          | E1457    | 34       | 32       |
|             | E2900      | 21       | 17       | 43          | E2794        | 33       | 2        | 74          | E1458    | 34       | 33       |
|             | E1488      | 21       | 20       | 44          | GS251        | 33       | 3        | 75          | E1483    | 34       | 34       |
|             | E1487      | 21       | 21       | 45          | E2790        | 33       | 4        | 76          | E1513    | 34       | 35       |
|             | E1543      | 21       | 24       | 46          | E1670        | 33       | 5        | 77          | E470     | 34       | 36       |
|             | E1544      | 21       | 25       | 47          | GS254        | 33       | 6        | 78          | E1330    | 35       | 1        |
|             | WE259A     | 21       | 26       | 48          | E2788        | 33       | 7        | 79          | E1575    | 35       | 2        |
|             | E2892/3282 | 23       | 8        | 49          | E2791        | 33       | 8        | 80          | E1574    | 35       | 3        |
|             | E672       | 23       | 9        | 50          | E2793        | 33       | 9        | 81          | E1512    | 35       | 4        |
|             | E3253      | 23       | 10       | 51          | E2789        | 33       | 10       | 82          | E3253    | 35       | 5        |
|             | W76        | 23       | 11       | 52          | E2792        | 33       | 11       | 83          | E1435    | 35       | 6        |
|             | PO172A     | 23       | 12       | 53          | E2218/T110   | 33       | 14       | 84          | E3583    | 19       | 12       |
|             | E1534A     | 23       | 15       | 54          | E2218/Trophy | 33       | 15       | 90          | SI-52    | 50       | 19       |
|             | E2022      | 23       | 18       | 55          | E2615        | 33       | 25       | 91          | E3335    | 74       | 26       |
|             | F1008      | 23       | 19       | 56          | E3437        | 33       | 27       | 92          | E1529    | 74       | 27       |
|             | E1539      | 23       | 22       | 57          | E3439        | 33       | 28       | 93          | E3353    | 74       | 24       |
|             | SI-51      | 23       | 25       | 58          | E375         | 33       | 41       | 94          | E2228    | 96       | 24       |
|             | E1532      | 23       | 25       | 59          | E3059        | 34       | 6        | 95          | E3354    | 74       | 25       |
|             | E1535      | 23       | 26       | 60          | E1477        | 34       | 7        |             |          |          |          |
|             | E1536      | 32       | 1        | 61          | H200         | 34       | 9        |             |          |          |          |
|             | F879       | 32       | 2        |             | E2620        | 34       | 12       |             |          |          |          |
|             | E529       | 32       | 7        |             |              |          |          |             |          |          |          |

INDEX FIG. 7

| Illust. No. | Part No. | Page No. | Ref. No. | Illust. No. | Part No. | Page No. | Ref. No. | Illust. No. | Part No. | Page No. | Ref. No. |
|-------------|----------|----------|----------|-------------|----------|----------|----------|-------------|----------|----------|----------|
| 1           | CPI63    | 21       | 33       | 15          | E1591    | 32       | 13       | 31          | E400     | 33       | 40       |
| 2           | E3049    | 22       | 10       | 18          | E3300    | 32       | 19       | 32          | E2741    | 101      | 15       |
| 3           | E3049    | 22       | 10       | 19          | E1479    | 32       | 15       | 33          | I70104   | 101      | 16       |
| 4           | E2898    | 22       | 13       | 20          | E1516    | 32       | 16       | 34          | E2254    | 34       | 1        |
| 5           | WE203E   | 22       | 16       | 21          | E2260    | 32       | 17       | 35          | GS87     | 34       | 2        |
| 6           | WE479    | 22       | 17       | 22          | E1472    | 33       | 29       | 36          | E2256    | 34       | 3        |
| 7           | E3906    | 22       | 24       | 23          | E1580    | 33       | 30       | 37          | E3108/24 | 35       | 17       |
| 8           | E3894    | 22       | 20       | 24          | E398     | 33       | 31       | 38          | E3974    | 35       | 20       |
| 9           | E3907    | 22       | 25       | 25          | E3325    | 33       | 33       | 39          | E3120    | 35       | 23       |
| 10          | E3606    | 23       | 1        | 26          | E1486A   | 33       | 35       | 40          | E3976    | 35       | 21       |
| 11          | E1511    | 23       | 3        | 27          | E1558    | 33       | 36       | 41          | E3119    | 35       | 22       |
| 12          | E2490A   | 23       | 4        | 28          | E1492    | 33       | 37       | 42          | E2451    | 96       | 21       |
| 13          | E2922    | 23       | 5        | 29          | E1463    | 33       | 38       | 43          | I11704   | 96       | 22       |
| 14          | E3586    | 23       | 2        | 30          | E1471    | 33       | 39       | 44          | H1168    | 96       | 22       |



# GROUP 2 - ENGINE

## BONNEVILLE 120

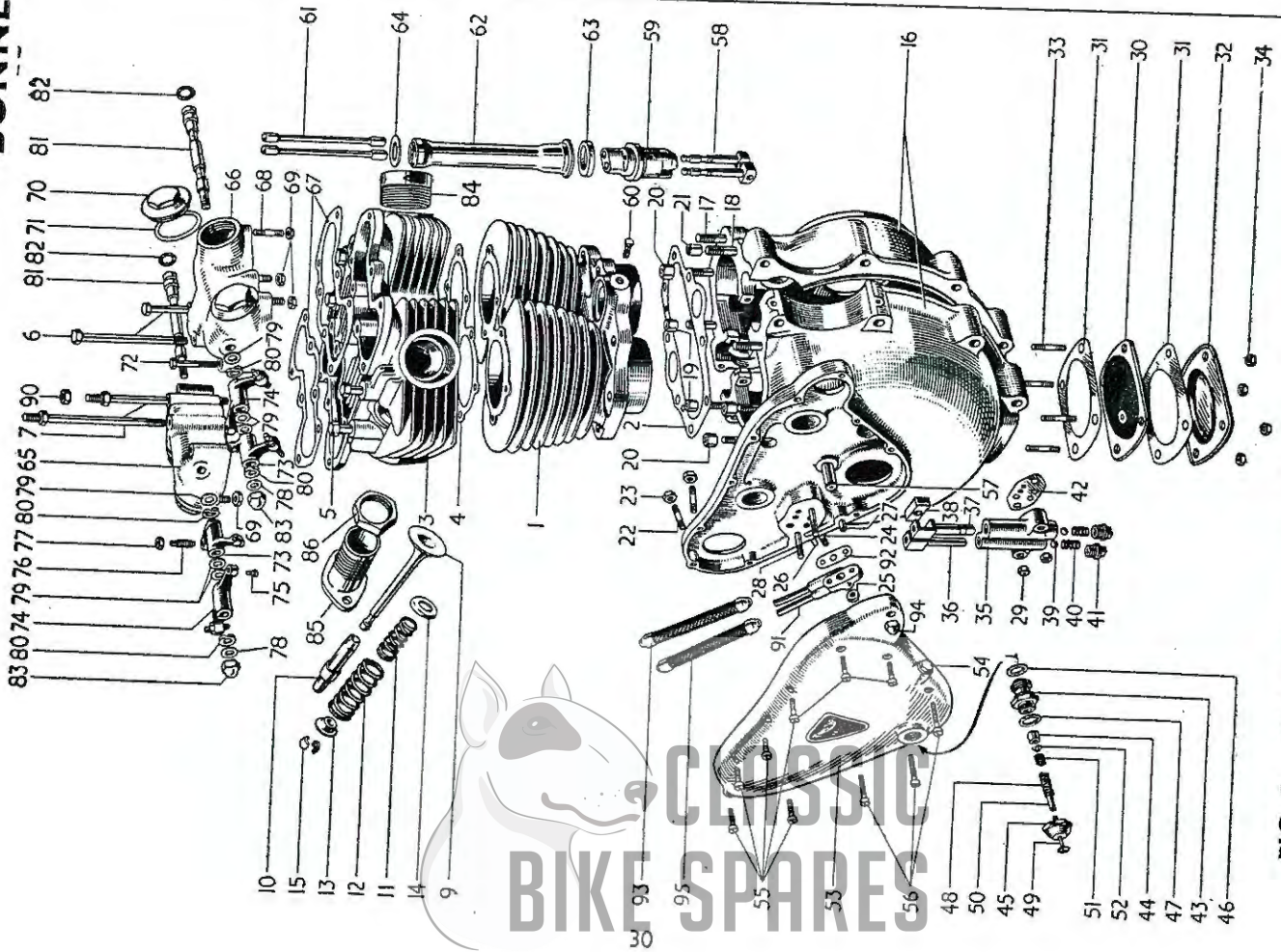


FIG. 8. CRANKCASE, CYLINDER BLOCK, CYLINDER HEAD, etc.

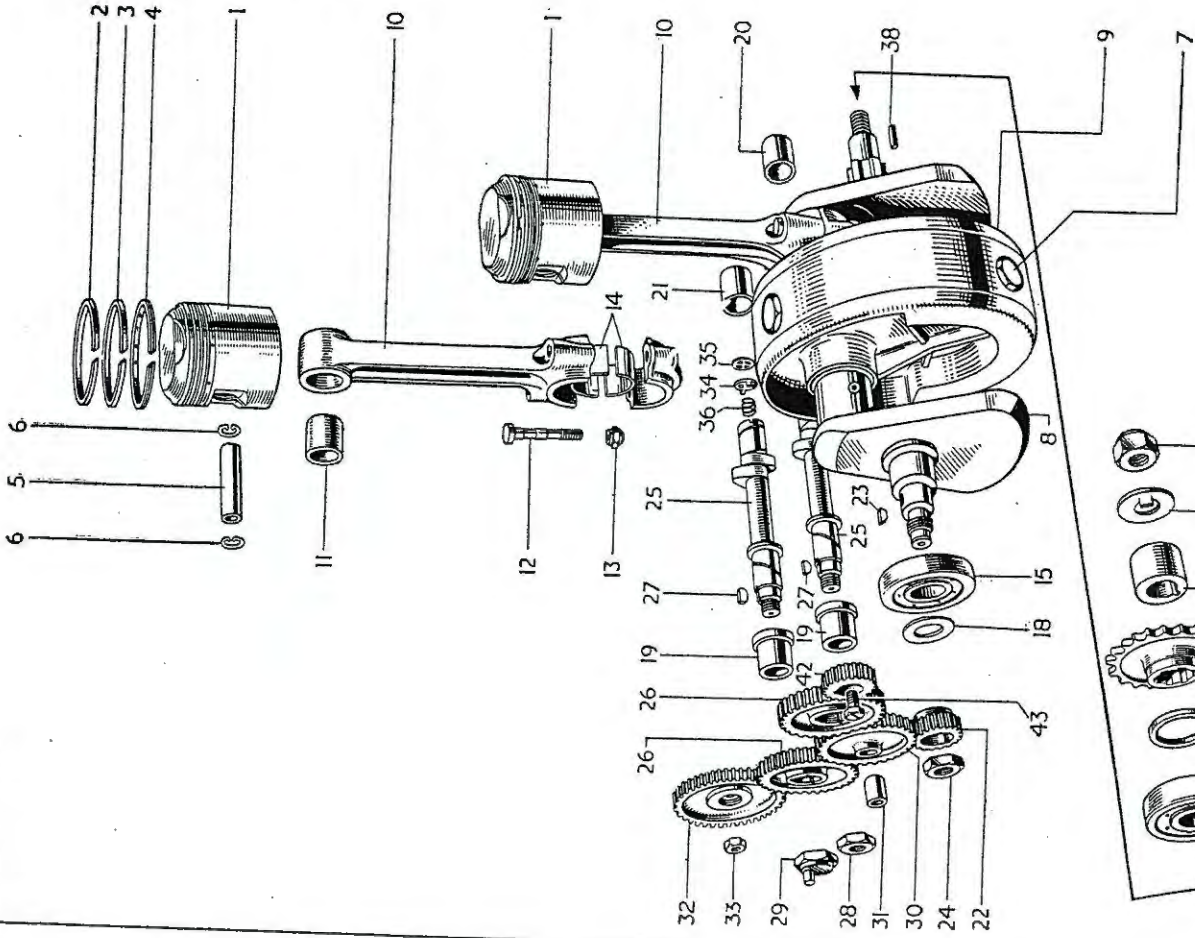
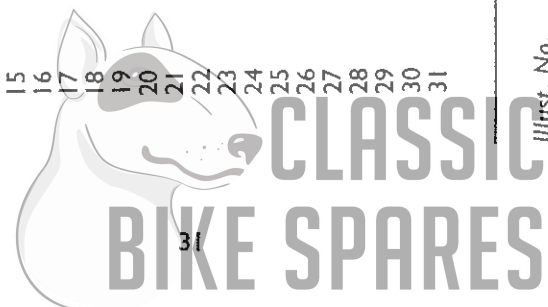


FIG. 9. CRANKSHAFT, CONNECTING RODS, PISTONS, TIMING GEARS, etc.

| Illust. No. | Part No.   | Page No. | Ref. No. | Illust. No. | Part No.   | Page No. | Ref. No. | Illust. No. | Part No. | Page No. | Ref. No. |
|-------------|------------|----------|----------|-------------|------------|----------|----------|-------------|----------|----------|----------|
| 1           | E3332      | 19       | 1        | 32          | E486       | 32       | 9        | 64          | E3547    | 34       | 16       |
| 2           | E2894      | 19       | 3        | 33          | E1540      | 32       | 10       | 65          | E3550    | 34       | 18       |
| 3           | E4019      | 19       | 9        | 34          | F879       | 32       | 12       | 66          | E3551    | 34       | 20       |
| 4           | E3614      | 19       | 14       | 35          | GS35       | 32       | 27       | 67          | E3552    | 34       | 22       |
| 5           | E327       | 19       | 16       | 36          | GS153      | 32       | 28       | 68          | E2980    | 34       | 24       |
| 6           | E1484      | 19       | 17       | 37          | E1476      | 32       | 29       | 69          | F879     | 34       | 25       |
| 7           | E1596      | 19       | 18       | 38          | E495       | 32       | 30       | 70          | E1564    | 34       | 27       |
| 9           | E3310      | 21       | 12       | 39          | S70-7      | 32       | 31       | 71          | E1577    | 34       | 28       |
| 10          | E3927      | 21       | 15       | 40          | E403       | 32       | 32       | 72          | E1545    | 34       | 29       |
| 11          | E3827      | 21       | 18       | 41          | E2360      | 32       | 33       | 73          | E1457    | 34       | 32       |
| 12          | E3828      | 21       | 19       | 42          | E1537      | 32       | 34       | 74          | E1458    | 34       | 33       |
| 13          | E3001      | 21       | 22       | 43          | E2794      | 33       | 2        | 75          | E1483    | 34       | 33       |
| 14          | E3002      | 21       | 23       | 44          | GS251      | 33       | 3        | 76          | E1513    | 34       | 35       |
| 15          | E1543      | 21       | 24       | 45          | E2790      | 33       | 4        | 77          | E470     | 34       | 36       |
| 16          | E1544      | 21       | 25       | 46          | E1670      | 33       | 5        | 78          | E1330    | 35       | 1        |
| 17          | WE259A     | 21       | 26       | 47          | GS254      | 33       | 6        | 79          | E1575    | 35       | 2        |
| 18          | E2892/3282 | 23       | 8        | 48          | E2788      | 33       | 7        | 80          | E1574    | 35       | 3        |
| 19          | E672       | 23       | 9        | 49          | E2791      | 33       | 8        | 81          | E1512    | 35       | 4        |
| 20          | W76        | 23       | 10       | 50          | E2793      | 33       | 9        | 82          | E3253    | 35       | 5        |
| 21          | PO172A     | 23       | 11       | 51          | E2789      | 33       | 10       | 83          | E1435    | 35       | 6        |
| 22          | E1534A     | 23       | 15       | 52          | E2792      | 33       | 11       | 84          | E3583    | 19       | 13       |
| 23          | E2022      | 23       | 18       | 53          | E2218/T120 | 33       | 16       | 85          | E3940    | 19       | 10       |
| 24          | F1008      | 23       | 19       | 54          | E2615      | 33       | 25       | 86          | E3847    | 19       | 11       |
| 25          | E1539      | 23       | 22       | 55          | E3437      | 33       | 27       | 90          | SI-52    | 50       | 19       |
| 26          | SI-51      | 23       | 23       | 56          | E3439      | 33       | 28       | 91          | E3335    | 74       | 26       |
| 27          | E1532      | 23       | 25       | 57          | E375       | 33       | 41       | 92          | E1529    | 74       | 27       |
| 28          | E1535      | 23       | 26       | 58          | E3059      | 34       | 6        | 93          | E3353    | 74       | 24       |
| 29          | E1536      | 32       | 1        | 59          | E1477      | 34       | 7        | 94          | E2228    | 96       | 24       |
| 30          | F879       | 32       | 2        | 60          | H200       | 34       | 9        | 95          | E3354    | 74       | 25       |
| 31          | E529       | 32       | 7        | 61          | E2620      | 34       | 12       |             |          |          |          |
|             | E487       | 32       | 8        | 62          | E3646      | 34       | 14       |             |          |          |          |
|             |            |          |          | 63          | E1496      | 34       | 15       |             |          |          |          |

INDEX FIG. 9

| Illust. No. | Part No. | Page No. | Ref. No. | Illust. No. | Part No. | Page No. | Ref. No. | Illust. No. | Part No. | Page No. | Ref. No. |
|-------------|----------|----------|----------|-------------|----------|----------|----------|-------------|----------|----------|----------|
| 1           | CPI157   | 21       | 36       | 18          | E3300    | 32       | 19       | 32          | E2741    | 101      | 15       |
| 2           | E3049    | 22       | 10       | 19          | E1479    | 32       | 15       | 33          | I70104   | 101      | 16       |
| 3           | E3049    | 22       | 10       | 20          | E1516    | 32       | 16       | 34          | E2254    | 34       | 1        |
| 4           | E2898    | 22       | 13       | 21          | E2260    | 32       | 17       | 35          | GS87     | 34       | 2        |
| 5           | WE203E   | 22       | 16       | 22          | E1472    | 33       | 29       | 36          | E2256    | 34       | 3        |
| 6           | WE479    | 22       | 17       | 23          | E1580    | 33       | 30       | 37          | E3108/24 | 35       | 17       |
| 7           | E3906    | 22       | 24       | 24          | E398     | 33       | 31       | 38          | E3974    | 35       | 20       |
| 8           | E3894    | 22       | 20       | 25          | E3325    | 33       | 33       | 39          | E3120    | 35       | 23       |
| 9           | E3907    | 22       | 25       | 26          | E3134    | 33       | 34       | 40          | E3976    | 35       | 21       |
| 10          | E3606    | 23       | 1        | 27          | E1486A   | 33       | 35       | 41          | E3119    | 35       | 22       |
| 11          | E1511    | 23       | 3        | 28          | E1558    | 33       | 36       | 42          | E2451    | 96       | 21       |
| 12          | E2490A   | 23       | 4        | 29          | E1492    | 33       | 37       | 43          | I11704   | 96       | 22       |
| 13          | E2922    | 23       | 5        | 30          | E1463    | 33       | 38       | 44          | H1168    | 32       | 14       |
| 14          | E3586    | 23       | 2        | 31          | E1471    | 33       | 39       |             |          |          |          |
| 15          | E1591    | 32       | 13       |             | E400     | 33       | 40       |             |          |          |          |



## GROUP 2 — ENGINE

| REF. No. | PART No. | DESCRIPTION  | 6T  | T100 | T110 | TR6 | T120 |   |   |   |
|----------|----------|--|-----|------|------|-----|------|---|---|---|
| 1        | E1536    | Stud, oil pump fixing $1\frac{7}{16}$ " O/A          | ... | ...  | ...  | 2   | 2    | 2 | 2 | 2 |
| 2        | F879     | Nut, oil pump fixing stud                            | ... | ...  | ...  | 2   | 2    | 2 | 2 | 2 |
| 3        | E2312    | Washer, oil pump fixing stud                         | ... | ...  | ...  | 2   | 2    | 2 | 2 | 2 |
| 4        | E1508    | Pipe, crankcase oil return                           | ... | ...  | ...  | 1   | 1    | 1 | 1 | 1 |
| 5        | E1509    | Clip, crankcase oil return pipe                      | ... | ...  | ...  | 1   | 1    | 1 | 1 | 1 |
| 6        | E1645    | Screw, crankcase oil return pipe $\frac{1}{4}$ " U/H | ... | ...  | ...  | 1   | 1    | 1 | 1 | 1 |

### CRANKCASE OIL FILTER

|    |       |  |     |     |     |   |   |   |   |   |
|----|-------|--|-----|-----|-----|---|---|---|---|---|
| 7  | E529  | Filter, crankcase oil                                | ... | ... | ... | 1 | 1 | 1 | 1 | 1 |
| 8  | E487  | Washer, crankcase oil filter joint                   | ... | ... | ... | 2 | 2 | 2 | 2 | 2 |
| 9  | E486  | Cover, crankcase oil filter joint                    | ... | ... | ... | 1 | 1 | 1 | 1 | 1 |
| 10 | E1540 | Stud, crankcase oil filter joint $\frac{3}{8}$ " O/A | ... | ... | ... | 4 | 4 | 4 | 4 | 4 |
| 11 | E1612 | Washer, crankcase oil filter stud locking            | ... | ... | ... | 4 | 4 | 4 | 4 | 4 |
| 12 | F879  | Nut, crankcase oil filter                            | ... | ... | ... | 4 | 4 | 4 | 4 | 4 |

### CRANKCASE BEARINGS

|    |       |  |     |     |     |   |   |   |   |   |
|----|-------|--|-----|-----|-----|---|---|---|---|---|
| 13 | E1591 | Bearing, crankshaft (ball journal)     | ... | ... | ... | 2 | 2 | 2 | 2 | 2 |
| 14 | H1168 | Oil Seal, L.H. Bearing                 | ... | ... | ... | 1 | 1 | 1 | 1 | 1 |
| 15 | E1479 | Bush, timing side camshaft             | ... | ... | ... | 2 | 2 | 2 | 2 | 2 |
| 16 | E1516 | Bush, driving side camshaft (exhaust)  | ... | ... | ... | 1 | 1 | 1 | 1 | 1 |
| 17 | E2260 | Bush, driving side camshaft (breather) | ... | ... | ... | 1 | 1 | 1 | 1 | 1 |
| 18 | E2311 | Pin, timing side camshaft (breather)   | ... | ... | ... | 1 | 1 | 1 | 1 | 1 |
| 19 | E3300 | Clamping Washer, T/S bearing           | ... | ... | ... | 1 | 1 | 1 | 1 | 1 |

### STUDS AND BOLTS FOR CRANKCASE HALVES

|    |       |   |     |     |     |   |   |   |   |   |
|----|-------|---|-----|-----|-----|---|---|---|---|---|
| 20 | E1555 | Bolt, crankcase top rear                          | ... | ... | ... | 1 | 1 | 1 | 1 | 1 |
| 21 | S25-3 | Washer, crankcase top rear bolt                   | ... | ... | ... | 1 | 1 | 1 | 1 | 1 |
| 22 | T456  | Stud, crankcase bottom front $3\frac{3}{4}$ " O/A | ... | ... | ... | 1 | 1 | 1 | 1 | 1 |
| 23 | SI-51 | Nut, crankcase bottom front stud                  | ... | ... | ... | 2 | 2 | 2 | 2 | 2 |
| 24 | S25-3 | Washer, crankcase bottom front stud               | ... | ... | ... | 2 | 2 | 2 | 2 | 2 |
| 25 | E1647 | Screw, crankcase inside boss $\frac{1}{4}$ " U/H  | ... | ... | ... | 2 | 2 | 2 | 2 | 2 |

FOR ENGINE PLATE STUDS SEE PAGE 52.

### OIL PUMP

|    |       |                            |     |     |     |   |   |   |   |   |
|----|-------|----------------------------|-----|-----|-----|---|---|---|---|---|
| 26 | E3072 | Pump, assembly, oil        | ... | ... | ... | 1 | 1 | 1 | 1 | 1 |
| 27 | GS35  | Body, oil pump             | ... | ... | ... | 1 | 1 | 1 | 1 | 1 |
| 28 | GS153 | Plunger, oil pump feed     | ... | ... | ... | 1 | 1 | 1 | 1 | 1 |
| 29 | E1476 | Plunger, oil pump scavenge | ... | ... | ... | 1 | 1 | 1 | 1 | 1 |
| 30 | E495  | Block, oil pump slider     | ... | ... | ... | 1 | 1 | 1 | 1 | 1 |
| 31 | S70-7 | Ball, oil pump valve       | ... | ... | ... | 2 | 2 | 2 | 2 | 2 |
| 32 | E403  | Spring, oil pump valve     | ... | ... | ... | 2 | 2 | 2 | 2 | 2 |
| 33 | E2360 | Plug, oil pump body        | ... | ... | ... | 2 | 2 | 2 | 2 | 2 |
| 34 | E1537 | Washer, oil pump joint     | ... | ... | ... | 1 | 1 | 1 | 1 | 1 |

| REF. No.                          | PART No.     | DESCRIPTION   | 6T | T100 | T110 | TR6 | T120 |
|-----------------------------------|--------------|---|----|------|------|-----|------|
| <b>OIL RELEASE VALVE</b>          |              |   |    |      |      |     |      |
| 1                                 | E2795        | Valve, release and oil indicator                        |    |      |      |     |      |
| 2                                 | E2794        | Body, release valve                                     |    |      |      |     |      |
| 3                                 | GS251        | Piston, release valve                                   |    |      |      |     |      |
| 4                                 | E2790        | Cap, release valve                                      |    |      |      |     |      |
| 5                                 | E1670        | Washer, release valve body                              |    |      |      |     |      |
| 6                                 | GS254        | Washer, release valve cap                               |    |      |      |     |      |
| 7                                 | E2788        | Spring, release valve main                              |    |      |      |     |      |
| 8                                 | E2791        | Shaft, indicator button                                 |    |      |      |     |      |
| 9                                 | E2793        | Tube, indicator rubber                                  |    |      |      |     |      |
| 10                                | E2789        | Spring, indicator auxiliary                             |    |      |      |     |      |
| 11                                | E2792        | Nut, indicator shaft                                    |    |      |      |     |      |
| <b>TIMING COVER</b>               |              |   |    |      |      |     |      |
| 12                                | E3110/6T     | Cover, timing gear                                      |    | —    | —    | —   | —    |
| 13                                | E2218/T100   | Cover, timing gear                                      | —  |      | —    | —   | —    |
| 14                                | E2218/T110   | Cover, timing gear                                      | —  | —    |      | —   | —    |
| 15                                | E2218/TROPHY | Cover, timing gear                                      | —  | —    | —    |     | —    |
| 16                                | E2218/T120   | Cover, timing gear                                      | —  | —    | —    | —   |      |
| 17                                | E2909        | Patent plate  |    | —    | —    | —   | —    |
| 18                                | E1678        | Patent plate  | —  |      | —    | —   | —    |
| 19                                | E2910        | Patent plate  | —  | —    |      | —   | —    |
| 20                                | E2876        | Patent plate  | —  | —    | —    |     | —    |
| 21                                | E4016        | Patent plate  | —  | —    | —    | —   |      |
| 22                                | D208-5       | Rivet, patent plate                                     | 3  | 3    | 3    | 3   | 3    |
| 23                                | E378         | Bush, timing gear cover                                 |    |      |      |     |      |
| 24                                | E3585        | Bush, timing gear cover (0-020" U.S.)                   | A  | A    | A    | A   | A    |
| 25                                | E2615        | Plug, timing gear cover                                 |    |      |      |     |      |
| 26                                | E1335        | Washer, timing gear cover plug                          |    |      |      |     |      |
| 27                                | E3437        | Screw, timing gear cover (short), $\frac{15}{16}$ " U/H | 7  | 7    | 7    | 7   | 7    |
| 28                                | E3439        | Screw, timing gear cover (long), $1\frac{3}{16}$ " U/H  | 3  | 3    | 3    | 3   | 3    |
| <b>TIMING GEARS AND CAMSHAFTS</b> |              |   |    |      |      |     |      |
| 29                                | E1472        | Pinion, timing  |    |      |      |     |      |
| 30                                | E1580        | Key, timing pinion                                      |    |      |      |     |      |
| 31                                | E398         | Nut, timing pinion                                      |    |      |      |     |      |
| 32                                | E3275        | Camshaft, inlet and exhaust                             | 2  | 2    | —    | —   | —    |
| 33                                | E3325        | Camshaft, inlet and exhaust                             | —  | A    | 2    | 2   |      |
| 34                                | E3134        | Camshaft, inlet   | —  | —    | —    | —   |      |
| 35                                | E1486A       | Wheel, inlet and exhaust camshaft                       | 2  | 2    | 2    | 2   | 2    |
| 36                                | E1558        | Key, camshaft wheel                                     | 2  | 2    | 2    | 2   | 2    |
| 37                                | E1492        | Nut, camshaft wheel exhaust                             |    |      |      |     |      |
| 38                                | E1463        | Nut, camshaft wheel inlet (pump drive)                  |    |      |      |     |      |
| 39                                | E1471        | Wheel, intermediate gear                                |    |      |      |     |      |
| 40                                | E400         | Bush, intermediate gear wheel                           |    |      |      |     |      |
| 41                                | E375         | Spindle, intermediate gear wheel                        |    |      |      |     |      |
| 42                                | E3123        | Pinion, distributor                                     |    | —    | —    | —   | —    |
| 43                                | E3125        | Pin, distributor pinion                                 |    | —    | —    | —   | —    |
| 44                                | E3126        | Circlip distributor pinion                              |    | —    | —    | —   | —    |
| 45                                | I46460       | Washer, distributor pinion (brass)                      |    | —    | —    | —   | —    |





# GROUP 2 — ENGINE

| REF. No.                         | PART No. | DESCRIPTION   | 6T | T100 | T110 | TR6 | T120 |
|----------------------------------|----------|---|----|------|------|-----|------|
| <b>CRANKCASE BREATHER</b>        |          |   |    |      |      |     |      |
| 1                                | E2254    | Valve, crankcase rotary ... ..                                | 1  | 1    | 1    | 1   | 1    |
| 2                                | GS87     | Disc, crankcase rotary valve ... ..                           | 1  | 1    | 1    | 1   | 1    |
| 3                                | E2256    | Spring, crankcase rotary valve ... ..                         | 1  | 1    | 1    | 1   | 1    |
| 4                                | E2724    | Pipe, crankcase breather ... ..                               | 1  | 1    | 1    | 1   | 1    |
| 5                                | E3078    | Extension, crankcase breather pipe (rubber) ...               | 1  | 1    | 1    | 1   | 1    |
| <b>TAPPETS AND TAPPET BLOCKS</b> |          |   |    |      |      |     |      |
| 6                                | E3059    | Tappet ... ..   | 4  | 4    | 4    | 4   | 4    |
| 7                                | E1477    | Block, tappet guide ... ..                                    | 2  | —    | 2    | 2   | 2    |
| 8                                | GS36     | Block, tappet guide ... ..                                    | —  | 2    | —    | —   | —    |
| 9                                | H200     | Screw, tappet guide block lock, $\frac{7}{16}$ " U/H ...      | 2  | 2    | 2    | 2   | 2    |
| 10                               | E2312    | Washer, serrated ... ..                                       | 2  | 2    | 2    | 2   | 2    |
| <b>PUSH RODS</b>                 |          |   |    |      |      |     |      |
| 11                               | E1693    | Rod, push ... ..  | 4  | —    | —    | —   | —    |
| 12                               | E2620    | Rod, push ... ..  | —  | 4    | 4    | 4   | 4    |
| <b>PUSH ROD COVER TUBE</b>       |          |   |    |      |      |     |      |
| 13                               | E1505    | Tube, push rod cover ... ..                                   | 2  | —    | —    | —   | —    |
| 14                               | E3646    | Tube, push rod cover ... ..                                   | —  | 2    | 2    | 2   | 2    |
| 15                               | E1496    | Washer, push rod cover lower seal ... ..                      | 2  | 2    | 2    | 2   | 2    |
| 16                               | E3547    | Washer, push rod cover upper seal ... ..                      | 2  | 2    | 2    | 2   | 2    |
| <b>OVERHEAD ROCKER GEAR</b>      |          |   |    |      |      |     |      |
| 17                               | E1461T   | Box, inlet rocker ... ..                                      | 1  | —    | —    | —   | —    |
| 18                               | E3550    | Box, inlet rocker ... ..                                      | —  | 1    | 1    | 1   | 1    |
| 19                               | E1462T   | Box, exhaust rocker ... ..                                    | 1  | —    | —    | —   | —    |
| 20                               | E3551    | Box, exhaust rocker ... ..                                    | —  | 1    | 1    | 1   | 1    |
| 21                               | E1650    | Gasket, rocker box joint ... ..                               | 4  | —    | —    | —   | —    |
| 22                               | E3552    | Gasket, rocker box joint ... ..                               | —  | 2    | 2    | 2   | 2    |
| 23                               | E1540    | Stud, rocker box to cylinder head, $\frac{5}{16}$ " O/A ...   | 4  | —    | —    | —   | —    |
| 24                               | E2980    | Stud, rocker box to cylinder head, $\frac{1}{8}$ " O/A ...    | —  | 4    | 6    | 6   | 6    |
| 25                               | F879     | Nut, rocker box to cylinder head ... ..                       | 4  | 4    | 6    | 6   | 6    |
| 26                               | E3302    | Washer, rocker box to cylinder head nut ...                   | —  | 4    | 6    | 6   | 6    |
| 27                               | E1564    | Cap, rocker box inspection ... ..                             | 4  | 4    | 4    | 4   | 4    |
| 28                               | E1577    | Washer, rocker box inspection cap ... ..                      | 4  | 4    | 4    | 4   | 4    |
| 29                               | E1545    | Bolt, rocker box to cylinder head, 2" U/H ...                 | 4  | —    | 4    | 4   | 4    |
| 30                               | E2982    | Bolt, rocker box to cylinder head, 2 $\frac{1}{32}$ " U/H ... | —  | 4    | —    | —   | —    |
| 31                               | S25-13   | Washer, rocker box to cylinder head ... ..                    | 4  | 4    | 4    | 4   | 4    |
| 32                               | E1457    | Rocker, valve, R.H. ... ..                                    | 2  | 2    | 2    | 2   | 2    |
| 33                               | E1458    | Rocker, valve, L.H. ... ..                                    | 2  | 2    | 2    | 2   | 2    |
| 34                               | E1483    | Ball pin, valve rocker ... ..                                 | 4  | 4    | 4    | 4   | 4    |
| 35                               | E1513    | Adjusting pin, valve rocker ... ..                            | 4  | 4    | 4    | 4   | 4    |
| 36                               | E470     | Locknut, adjusting pin ... ..                                 | 4  | 4    | 4    | 4   | 4    |

CLASSIC  
BIKE SPARES

**ENGINE — GROUP 2  
GASKET SET — GROUP 3**

| REF. No. | PART No. | DESCRIPTION                                  | 6T | T100 | T110 | TR6 | T120 |
|----------|----------|--|----|------|------|-----|------|
| 1        | E1300    | Washer, valve rocker, thrust $\frac{3}{8}$ " | 2  | 2    | 2    | 2   | 2    |
| 2        | E1575    | Washer, valve rocker, thrust $\frac{1}{2}$ " | 6  | 6    | 6    | 6   | 6    |
| 3        | E1574    | Washer, valve rocker spring                  | 4  | 4    | 4    | 4   | 4    |
| 4        | E1512    | Spindle, valve rocker                        | 2  | 2    | 2    | 2   | 2    |
| 5        | E3253    | Sealing ring, rocker spindle (rubber)        | 2  | 2    | 2    | 2   | 2    |
| 6        | E143S    | Nut, valve rocker spindle (dome)             | 2  | 2    | 2    | 2   | 2    |
| 7        | E1335    | Washer, valve rocker spindle (copper)        | 4  | 4    | 4    | 4   | 4    |

**ROCKER OIL FEED AND DRAIN PIPES**

|    |       |                                      |   |   |   |   |   |
|----|-------|--------------------------------------|---|---|---|---|---|
| 8  | E3082 | Pipe, rocker oil feed                | 1 | 1 | 1 | 1 | 1 |
| 9  | E3383 | Connection, feed pipe (rubber)       | 1 | 1 | 1 | 1 | 1 |
| 10 | GS272 | Pipe, rocker oil drain inlet         | 1 | 1 | — | — | — |
| 11 | GS273 | Pipe, rocker oil drain exhaust       | 1 | 1 | — | — | — |
| 12 | E1601 | Adaptor, drain pipe to cylinder head | 4 | — | — | — | — |
| 13 | E2767 | Adaptor, drain pipe to cylinder head | — | 4 | — | — | — |
| 14 | E1335 | Washer, drain pipe to cylinder head  | 8 | 8 | — | — | — |
| 15 | E984  | Adaptor, drain pipe to cover tube    | 2 | 2 | — | — | — |
| 16 | F1880 | Washer, drain pipe to cover tube     | 4 | 4 | — | — | — |

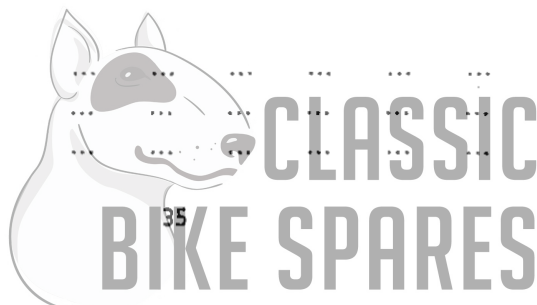
**ENGINE SPROCKET**

|    |          |                              |   |   |   |   |   |
|----|----------|------------------------------|---|---|---|---|---|
| 17 | E3108/24 | Sprocket, engine 24T solo    | 1 | — | 1 | 1 | 1 |
| 18 | E3108/22 | Sprocket, engine 22T solo    | — | 1 | — | — | — |
| 19 | E3108/22 | Sprocket, engine 22T sidecar | A | — | — | — | — |
| 20 | E3974    | Key, crankshaft left side    | 1 | 1 | 1 | 1 | 1 |
| 21 | E3976    | Distance piece               | — | 1 | 1 | 1 | 1 |
| 22 | E3119    | Tab washer                   | — | 1 | 1 | 1 | 1 |
| 23 | E3120    | Nut, engine sprocket         | — | 1 | 1 | 1 | 1 |

*For 6T nut and tab washer see Page 104.  
Engine sprockets are available in sizes from 17 to 25 teeth.*

**GASKET SET—GROUP 3**

|    |           |            |   |   |   |   |   |
|----|-----------|------------|---|---|---|---|---|
| 24 | GS6T/56   | Gasket set | 1 | — | — | — | — |
| 25 | GST100/56 | Gasket set | — | 1 | — | — | — |
| 26 | GST110/56 | Gasket set | — | — | 1 | 1 | 1 |



# GROUP 4 — GEARBOX

| REF. No.               | PART No. | DESCRIPTION  | 6T | T100 | T110 | TR6 | T120 |
|------------------------|----------|--|----|------|------|-----|------|
| <b>GEARBOX—GROUP 4</b> |          |  |    |      |      |     |      |
| 1                      | T1525    | Gearbox complete less clutch—standard ratio ...                      | 1  | 1    | 1    | —   | —    |
| 2                      | T1528    | Gearbox complete less clutch—standard ratio ...                      | —  | —    | —    | 1   | —    |
| 3                      | T1583    | Gearbox complete less clutch—standard ratio ...                      | —  | —    | —    | —   | 1    |
| 4                      | T1526    | Gearbox complete less clutch—close ratio ...                         | 1  | 1    | 1    | —   | —    |
| 5                      | T1529    | Gearbox complete less clutch—close ratio ...                         | —  | —    | —    | 1   | —    |
| 6                      | T1584    | Gearbox complete less clutch—close ratio ...                         | —  | —    | —    | —   | 1    |
| 7                      | T1527    | Gearbox complete less clutch—wide ratio ...                          | 1  | 1    | 1    | —   | —    |
| 8                      | T1530    | Gearbox complete less clutch—wide ratio ...                          | —  | —    | —    | 1   | —    |
| 9                      | T1585    | Gearbox complete less clutch—wide ratio ...                          | —  | —    | —    | —   | 1    |
| <b>GEARBOX CASING</b>  |          |  |    |      |      |     |      |
| 10                     | T1201    | Casing, with bushes, gearbox ...                                     | 1  | 1    | 1    | 1   | 1    |
| 11                     | T989     | Dowel, casing to inner cover ...                                     | 2  | 2    | 2    | 2   | 2    |
| 12                     | E698     | Stud, casing to outer cover, 2 $\frac{7}{8}$ " O/A ...               | 2  | 2    | 2    | 2   | 2    |
| 13                     | S1-51    | Nut, casing stud ...   | 2  | 2    | 2    | 2   | 2    |
| 14                     | S25-3    | Washer, casing stud ...  | 2  | 2    | 2    | 2   | 2    |
| 15                     | T1562    | Cover with bushes, gearbox inner ...                                 | 1  | 1    | 1    | 1   | 1    |
| 16                     | T323A    | Stud, inner cover to outer cover, 1 $\frac{13}{16}$ " O/A ...        | 1  | 1    | 1    | 1   | 1    |
| 17                     | S1-51    | Nut, inner cover to outer cover stud ...                             | 1  | 1    | 1    | 1   | 1    |
| 18                     | S25-3    | Washer, inner cover to outer cover stud ...                          | 1  | 1    | 1    | 1   | 1    |
| 19                     | E3436    | Screw, inner cover to casing (long), 1 $\frac{1}{2}$ " U/H ...       | 1  | 1    | 1    | 1   | 1    |
| 20                     | E3437    | Screw, inner cover to casing, $\frac{13}{16}$ " U/H ...              | 3  | 3    | 3    | 3   | 3    |
| 21                     | T45      | Stop, kickstarter quadrant ...                                       | 1  | 1    | 1    | 1   | 1    |
| 22                     | E732     | Plug, filler ...   | 1  | 1    | 1    | 1   | 1    |
| 23                     | NE507    | Washer, filler plug ...  | 1  | 1    | 1    | 1   | 1    |
| 24                     | T1534    | Cover, with bushes, gearbox outer ...                                | 1  | 1    | 1    | 1   | 1    |
| 25                     | E3442    | Screw, outer cover to casing (long), 3" U/H ...                      | 1  | 1    | 1    | 1   | 1    |
| 26                     | E3438    | Screw, outer cover to casing, 2 $\frac{9}{16}$ " U/H ...             | 1  | 1    | 1    | 1   | 1    |
| 27                     | E3437    | Screw, outer cover to inner cover, $\frac{13}{16}$ " U/H ...         | 2  | 2    | 2    | 2   | 2    |
| 28                     | E3439    | Screw, outer cover to inner cover (long), 1 $\frac{3}{16}$ " U/H ... | 1  | 1    | 1    | 1   | 1    |
| 29                     | T1542    | Cover, plate outer cover ...   | 1  | 1    | 1    | 1   | 1    |
| 30                     | T1541    | Joint, washer, cover plate ...                                       | 1  | 1    | 1    | 1   | 1    |
| 31                     | E2312    | Washer, cover screw ...  | 2  | 2    | 2    | 2   | 2    |
| 32                     | T1553    | Screw, cover plate, $\frac{3}{8}$ " U/H ...                          | 2  | 2    | 2    | 2   | 2    |
| 33                     | S46-15   | Plug, gearbox drain and cover level ...                              | 2  | 2    | 2    | 2   | 2    |
| 34                     | PT.104B  | Washer, gearbox drain and cover level ...                            | 2  | 2    | 2    | 2   | 2    |

|          |          |             |    |      |      |     |      |
|----------|----------|-------------|----|------|------|-----|------|
| REF. No. | PART No. | DESCRIPTION | 6T | T100 | T110 | TR6 | T120 |
|----------|----------|-------------|----|------|------|-----|------|

## GEARBOX FITTINGS

|    |        |   |     |     |     |   |   |   |   |   |
|----|--------|---|-----|-----|-----|---|---|---|---|---|
| 1  | F3769  | Stud, gearbox clamp 4 $\frac{1}{8}$ " O/A | ... | ... | ... | 1 | 1 | 1 | 1 | 1 |
| 2  | F3770  | Washer, R.H. gearbox clamp stud           | ... | ... | ... | 1 | 1 | 1 | 1 | 1 |
| 3  | F3771  | Nut, L.H. gearbox clamp stud              | ... | ... | ... | 1 | 1 | 1 | 1 | 1 |
| 4  | F3772  | Nut, R.H. gearbox clamp stud              | ... | ... | ... | 1 | 1 | 1 | 1 | 1 |
| 5  | F3575  | Bolt, gearbox pivot 7" U/H                | ... | ... | ... | 1 | 1 | 1 | 1 | 1 |
| 6  | DS47   | Nut, gearbox pivot bolt                   | ... | ... | ... | 1 | 1 | 1 | 1 | 1 |
| 7  | PCW73A | Washer, gearbox pivot bolt                | ... | ... | ... | 1 | 1 | 1 | 1 | 1 |
| 8  | F4422  | Eyebolt, gearbox adjuster                 | ... | ... | ... | 1 | 1 | 1 | 1 | 1 |
| 9  | GS203  | Washer, eyebolt nut                       | ... | ... | ... | 2 | 2 | 2 | 2 | 2 |
| 10 | SI-51  | Nut, gearbox eyebolt                      | ... | ... | ... | 2 | 2 | 2 | 2 | 2 |
| 11 | F3767  | Pivot pin, gearbox adjuster               | ... | ... | ... | 1 | 1 | 1 | 1 | 1 |
| 12 | S26-1  | Washer, pivot pin                         | ... | ... | ... | 1 | 1 | 1 | 1 | 1 |
| 13 | PO172A | Nut, pivot pin                            | ... | ... | ... | 1 | 1 | 1 | 1 | 1 |

## SHAFTS AND GEARS (STANDARD RATIO)

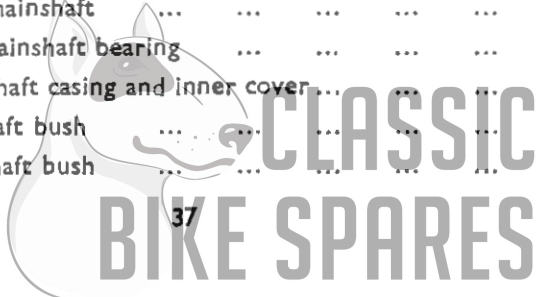
*(See page 43 for wide and close ratio gears)*

|    |        |   |     |     |     |   |   |   |   |   |
|----|--------|---|-----|-----|-----|---|---|---|---|---|
| 14 | T914   | Mainshaft and low gear (16T)                      | ... | ... | ... | 1 | 1 | 1 | 1 | 1 |
| 15 | PT108B | Bush, mainshaft for clutch rod                    | ... | ... | ... | 1 | 1 | 1 | 1 | 1 |
| 16 | S66-1  | Woodruff key No. 6                                | ... | ... | ... | 1 | 1 | 1 | 1 | 1 |
| 17 | T1047  | Nut, clutch to mainshaft                          | ... | ... | ... | 1 | 1 | 1 | 1 | 1 |
| 18 | T1045  | Washer, clutch to mainshaft, plain                | ... | ... | ... | 1 | 1 | 1 | 1 | 1 |
| 19 | T1046  | Washer, clutch to mainshaft, lock                 | ... | ... | ... | 1 | 1 | 1 | 1 | 1 |
| 20 | T1382  | Gear, mainshaft high (26T)                        | ... | ... | ... | 1 | 1 | 1 | 1 | 1 |
| 21 | T1370  | Bush, mainshaft high gear                         | ... | ... | ... | 1 | 1 | 1 | 1 | 1 |
| 22 | T917   | Gear, mainshaft 3rd (24T)                         | ... | ... | ... | 1 | 1 | 1 | 1 | 1 |
| 23 | T916   | Gear, mainshaft 2nd (20T)                         | ... | ... | ... | 1 | 1 | 1 | 1 | 1 |
| 24 | T1063  | Layshaft c/w high gear (20T) and speedometer gear | ... | ... | ... | 1 | 1 | 1 | 1 | 1 |
| 25 | T930   | Gear, layshaft 3rd (22T)                          | ... | ... | ... | 1 | 1 | 1 | 1 | 1 |
| 26 | T1065  | Gear, layshaft 2nd (26T)                          | ... | ... | ... | 1 | 1 | 1 | 1 | 1 |
| 27 | T926   | Gear, layshaft low (30T)                          | ... | ... | ... | 1 | 1 | 1 | 1 | 1 |
| 28 | T928   | Bush, layshaft low gear                           | ... | ... | ... | 1 | 1 | 1 | 1 | 1 |

*For speedometer drive gears see page 108.*

## GEARBOX CASING BEARINGS

|    |       |                                       |     |     |     |   |   |   |   |   |
|----|-------|---------------------------------------|-----|-----|-----|---|---|---|---|---|
| 29 | T448  | Bearing, high gear                    | ... | ... | ... | 1 | 1 | 1 | 1 | 1 |
| 30 | T946  | Oil seal, high gear bearing           | ... | ... | ... | 1 | 1 | 1 | 1 | 1 |
| 31 | E489  | Circlip, high gear bearing retaining  | ... | ... | ... | 1 | 1 | 1 | 1 | 1 |
| 32 | S35-7 | Bearing, mainshaft                    | ... | ... | ... | 1 | 1 | 1 | 1 | 1 |
| 33 | T280  | Circlip, mainshaft bearing            | ... | ... | ... | 1 | 1 | 1 | 1 | 1 |
| 34 | T1367 | Bush, layshaft casing and inner cover | ... | ... | ... | 2 | 2 | 2 | 2 | 2 |
| 35 | T912  | Peg, layshaft bush                    | ... | ... | ... | 2 | 2 | 2 | 2 | 2 |
| 36 | T981  | Disc, layshaft bush                   | ... | ... | ... | 1 | 1 | 1 | 1 | 1 |



# GROUP 4 — GEARBOX

## GEARBOX

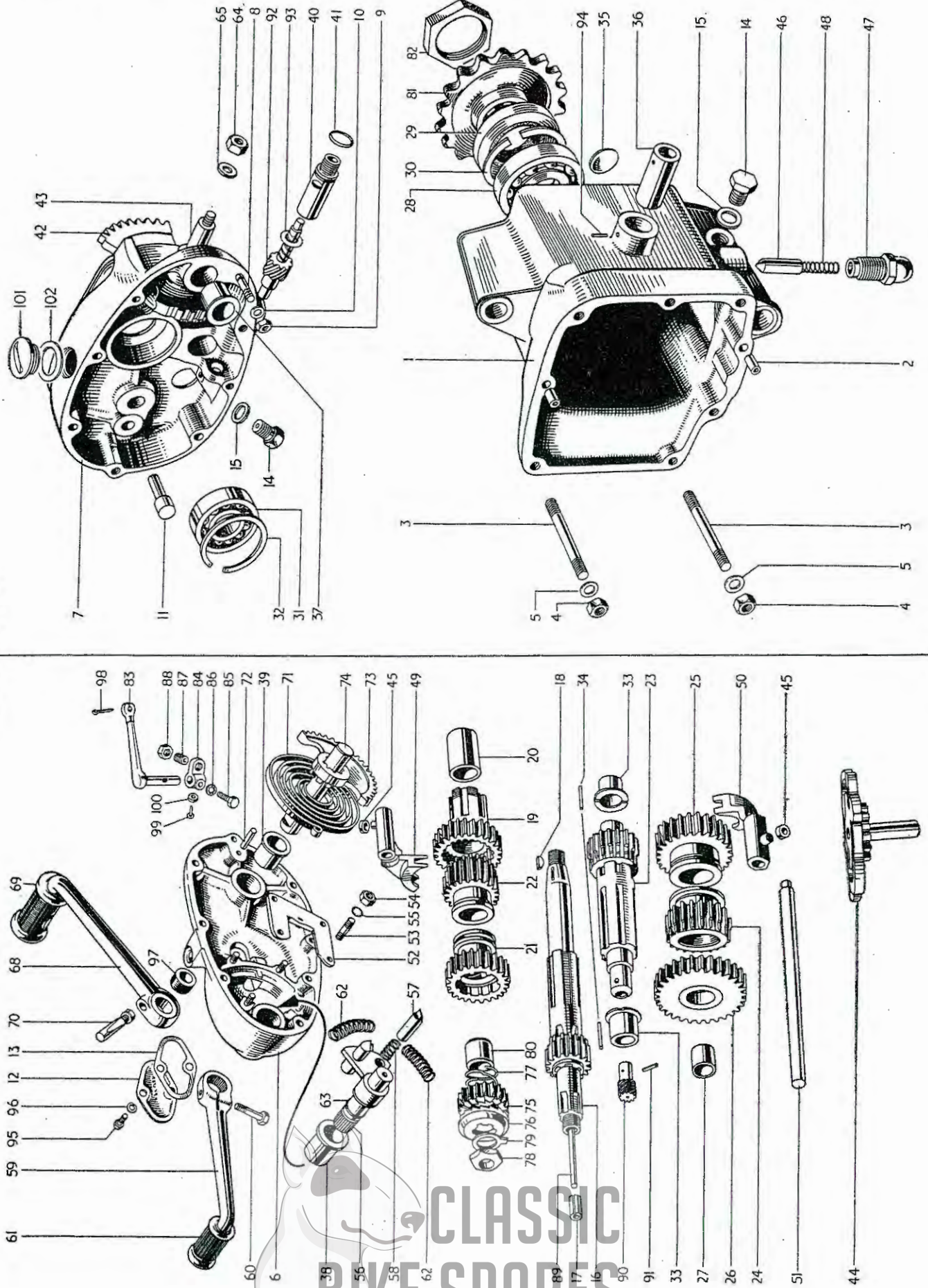
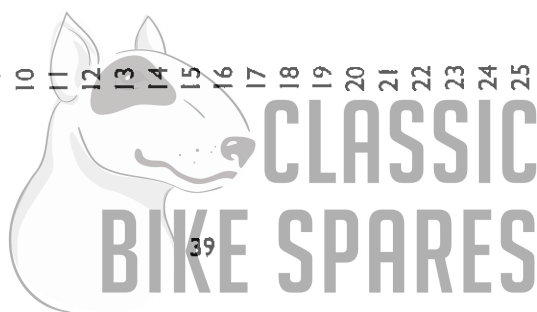


FIG. 10

CLASSIC  
BIKE SPARES

INDEX FIG. 10

| Illust. No. | Part No. | Page No. | Ref. No. | Illust. No. | Part No.  | Page No. | Ref. No. | Illust. No. | Part No.  | Page No. | Ref. No. |
|-------------|----------|----------|----------|-------------|-----------|----------|----------|-------------|-----------|----------|----------|
| 1           | T1201    | 36       | 10       | 35          | T981      | 37       | 36       | 70          | T1222     | 41       | 1        |
| 2           | T989     | 36       | 11       | 36          | T341      | 40       | 1        | 71          | T31       | 41       | 2        |
| 3           | E698     | 36       | 12       | 37          | T412      | 40       | 3        | 72          | T47       | 41       | 3        |
| 4           | SI-51    | 36       | 13       | 38          | T57       | 40       | 4        | 73          | T25A      | 41       | 4        |
| 5           | S25-3    | 36       | 14       | 39          | T23       | 40       | 5        | 74          | T24A      | 41       | 5        |
| 6           | T1534    | 36       | 24       | 40          | T933      | 40       | 6        | 75          | T730      | 41       | 6        |
| 7           | T1562    | 36       | 15       | 41          | T948      | 40       | 7        | 76          | T731      | 41       | 7        |
| 8           | T323A    | 36       | 16       | 42          | T397      | 40       | 8        | 77          | T1250     | 41       | 9        |
| 9           | SI-51    | 36       | 17       | 43          | T399      | 40       | 9        | 78          | NT297     | 41       | 10       |
| 10          | S25-3    | 36       | 18       | 44          | T500      | 40       | 10       | 79          | T732      | 41       | 11       |
| 11          | T45      | 36       | 21       | 45          | NT261     | 40       | 11       | 80          | T1338     | 41       | 8        |
| 12          | T1542    | 36       | 29       | 46          | T44       | 40       | 12       | 81          | T471A     | 41       | 12       |
| 13          | T1541    | 36       | 30       | 47          | T372      | 40       | 13       | 82          | T440      | 41       | 13       |
| 14          | S46-15   | 36       | 33       | 48          | T373      | 40       | 14       | 83          | T1539     | 42       | 1        |
| 15          | PT104B   | 36       | 34       | 49          | T260B     | 40       | 15       | 84          | T1536     | 42       | 3        |
| 16          | T914     | 37       | 14       | 50          | T913      | 40       | 16       | 85          | T1554     | 42       | 6        |
| 17          | PT108B   | 37       | 15       | 51          | T291      | 40       | 17       | 86          | E2312     | 42       | 7        |
| 18          | S66-1    | 37       | 16       | 52          | T407      | 40       | 18       | 87          | T413      | 42       | 9        |
| 19          | T1382    | 37       | 20       | 53          | T454      | 40       | 19       | 88          | T453      | 42       | 10       |
| 20          | T1370    | 37       | 21       | 54          | F879      | 40       | 20       | 89          | T1552     | 42       | 11       |
| 21          | T917     | 37       | 22       | 55          | E2312     | 40       | 21       | 90          | T924      | 108      | 10       |
| 22          | T916     | 37       | 23       | 56          | T408/1540 | 40       | 22       | 91          | T925      | 108      | 12       |
| 23          | T1063    | 37       | 24       | 57          | T406      | 40       | 24       | 92          | T934      | 108      | 13       |
| 24          | T930     | 37       | 25       | 58          | T405      | 40       | 25       | 93          | T825      | 108      | 15       |
| 25          | T1065    | 37       | 26       | 59          | T1194     | 40       | 26       | 94          | E3449     | 40       | 2        |
| 26          | T926     | 37       | 27       | 60          | W932      | 40       | 28       | 95          | T1553     | 36       | 32       |
| 27          | T928     | 37       | 28       | 61          | T449      | 40       | 29       | 96          | E2312     | 36       | 31       |
| 28          | T448     | 37       | 29       | 62          | T404      | 40       | 30       | 97          | T1512     | 40       | 35       |
| 29          | T946     | 37       | 30       | 63          | E3309     | 40       | 23       | 98          | Split pin | 42       | 2        |
| 30          | E489     | 37       | 31       | 64          | T224      | 40       | 31       | 99          | E3412     | 42       | 5        |
| 31          | S35-7    | 37       | 32       | 65          | S25-3     | 40       | 32       | 100         | T1538     | 42       | 4        |
| 32          | T280     | 37       | 33       | 68          | T451      | 40       | 33       | 101         | E732      | 36       | 22       |
| 33          | T1367    | 37       | 34       | 69          | F1814     | 40       | 41       | 102         | NE507     | 36       | 23       |
| 34          | T912     | 37       | 35       |             |           |          |          |             |           |          |          |



# GROUP 4 — GEARBOX

| REF. No. | PART No. | DESCRIPTION                             | 6T | T100 | T110 | TR6 | T120 |
|----------|----------|---|----|------|------|-----|------|
| 1        | T341     | Bush, gear selector camplate ... ..     | 1  | 1    | 1    | 1   | 1    |
| 2        | E3449    | Peg, gear selector camplate bush ... .. | 1  | 1    | 1    | 1   | 1    |
| 3        | T412     | Bush, footchange spindle inner ... ..   | 1  | 1    | 1    | 1   | 1    |
| 4        | T57      | Bush, footchange spindle outer ... ..   | 1  | 1    | 1    | 1   | 1    |
| 5        | T23      | Bush, kickstarter outer ... ..          | 1  | 1    | 1    | 1   | 1    |
| 6        | T933     | Bush, speedo gear inner cover ... ..    | 1  | 1    | 1    | 1   | 1    |
| 7        | T948     | Washer, speedo gear bush sealing ... .. | 1  | 1    | 1    | 1   | 1    |

## GEAR CHANGE SELECTOR MECHANISM

|    |           |   |   |   |   |   |   |
|----|-----------|---|---|---|---|---|---|
| 8  | T397      | Quadrant, gear operating ... ..                                 | 1 | 1 | 1 | 1 | 1 |
| 9  | T399      | Spindle, gear operating quadrant ... ..                         | 1 | 1 | 1 | 1 | 1 |
|    |           | Split pin $1\frac{1}{2}'' \times \frac{5}{16}''$ dia.... ..     | 1 | 1 | 1 | 1 | 1 |
| 10 | T500      | Camplate, gear control ... ..                                   | 1 | 1 | 1 | 1 | 1 |
| 11 | NT261     | Roller, gear control camplate ... ..                            | 2 | 2 | 2 | 2 | 2 |
| 12 | T44       | Plunger, gear control camplate ... ..                           | 1 | 1 | 1 | 1 | 1 |
| 13 | T372      | Bush, gear control camplate plunger ... ..                      | 1 | 1 | 1 | 1 | 1 |
| 14 | T373      | Spring, gear control camplate plunger ... ..                    | 1 | 1 | 1 | 1 | 1 |
| 15 | T260B     | Fork, gear selector mainshaft ... ..                            | 1 | 1 | 1 | 1 | 1 |
| 16 | T913      | Fork, gear selector layshaft ... ..                             | 1 | 1 | 1 | 1 | 1 |
| 17 | T291      | Rod, gear selector fork ... ..                                  | 1 | 1 | 1 | 1 | 1 |
| 18 | T407      | Plate, quadrant guide ... ..                                    | 1 | 1 | 1 | 1 | 1 |
| 19 | T454      | Stud, quadrant guide plate $\frac{7}{8}''$ O/A ... ..           | 4 | 4 | 4 | 4 | 4 |
| 20 | F879      | Nut, quadrant guide plate stud ... ..                           | 4 | 4 | 4 | 4 | 4 |
| 21 | E2312     | Washer, quadrant guide plate stud ... ..                        | 4 | 4 | 4 | 4 | 4 |
| 22 | T408/1540 | Quadrant, gearchange ... ..                                     | 1 | 1 | 1 | 1 | 1 |
| 23 | E3309     | "O" ring, gearchange quadrant ... ..                            | 1 | 1 | 1 | 1 | 1 |
| 24 | T406      | Plunger, gear quadrant ... ..                                   | 2 | 2 | 2 | 2 | 2 |
| 25 | T405      | Spring, gear quadrant plunger ... ..                            | 2 | 2 | 2 | 2 | 2 |
| 26 | T1194     | Pedal, gearchange ... ..  | 1 | 1 | 1 | 1 | 1 |
| 27 | T1564     | Pedal, gearchange (Heel and Toe) (Alternative equipment) ... .. | A | A | A | A | A |
| 28 | W932      | Set screw, gearchange pedal 1" U/H ... ..                       | 1 | 1 | 1 | 1 | 1 |
| 29 | T449      | Rubber, gearchange pedal ... ..                                 | 1 | 1 | 1 | 1 | 1 |
| 30 | T404      | Spring, gearchange pedal return ... ..                          | 2 | 2 | 2 | 2 | 2 |
| 31 | T224      | Nut, gear quadrant spindle ... ..                               | 1 | 1 | 1 | 1 | 1 |
| 32 | S25-3     | Washer, gear quadrant spindle ... ..                            | 1 | 1 | 1 | 1 | 1 |

## KICKSTARTER

|    |        |  |   |   |   |   |   |
|----|--------|--|---|---|---|---|---|
| 33 | T451   | Crank, kickstarter (rigid) ... ..            | 1 | 1 | 1 | — | 1 |
| 34 | *T1270 | Crank, kickstarter (folding) complete ... .. | A | A | A | 1 | A |
| 35 | T1512  | Tube, kickstarter shaft rubber ... ..        | 1 | 1 | 1 | 1 | 1 |
| 36 | T1271  | Lever, kickstarter ... ..                    | A | A | A | 1 | A |
| 37 | T1272  | Pedal, kickstarter ... ..                    | A | A | A | 1 | A |
| 38 | T1273  | Bolt, lever to pedal 1.155" U/H ... ..       | A | A | A | 1 | A |
| 39 | S70-3  | Ball, pedal locating ... ..                  | A | A | A | 1 | A |
| 40 | T1167  | Spring, pedal locating ball ... ..           | A | A | A | 1 | A |
| 41 | F1814  | Rubber, kickstarter pedal ... ..             | 1 | 1 | 1 | 1 | 1 |

\* Fitted to T100 and T110 machines for export to U.S.A.

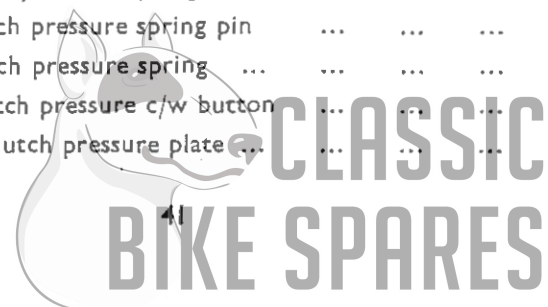
| REF. No. | PART No. | DESCRIPTION                          | 6T | T100 | T110 | TR6 | T120 |
|----------|----------|--------------------------------------|----|------|------|-----|------|
| 1        | T1222    | Cotter pin c/w nut and washer ... .. | 1  | 1    | 1    | 1   | 1    |
| 2        | T31      | Spring, k/s crank return ... ..      | 1  | 1    | 1    | 1   | 1    |
| 3        | T47      | Peg, k/s anchor ... ..               | 1  | 1    | 1    | 1   | 1    |
| 4        | T25A     | Quadrant, kickstarter ... ..         | 1  | 1    | 1    | 1   | 1    |
| 5        | T24A     | Shaft, kickstarter axle ... ..       | 1  | 1    | 1    | 1   | 1    |
| 6        | T730     | Pinion, kickstarter ... ..           | 1  | 1    | 1    | 1   | 1    |
| 7        | T731     | Ratchet, kickstarter ... ..          | 1  | 1    | 1    | 1   | 1    |
| 8        | T1338    | Sleeve, kickstarter pinion ... ..    | 1  | 1    | 1    | 1   | 1    |
| 9        | T1250    | Spring, kickstarter pinion ... ..    | 1  | 1    | 1    | 1   | 1    |
| 10       | NT297    | Nut, kickstarter ratchet ... ..      | 1  | 1    | 1    | 1   | 1    |
| 11       | T732     | Washer, kickstarter lock ... ..      | 1  | 1    | 1    | 1   | 1    |

GEARBOX SPROCKET

|    |       |                                      |   |   |   |   |   |
|----|-------|--------------------------------------|---|---|---|---|---|
| 12 | T471A | Sprocket, gearbox ... ..             | 1 | 1 | 1 | 1 | 1 |
| 13 | T440  | Nut, gearbox sprocket locking ... .. | 1 | 1 | 1 | 1 | 1 |

CLUTCH AND SHOCK ABSORBER

|    |       |  |    |    |    |    |    |
|----|-------|--|----|----|----|----|----|
| 14 | T1548 | Clutch assembly ... ..                             | 1  | 1  | 1  | 1  | —  |
| 15 | T1586 | Clutch assembly ... ..                             | —  | —  | —  | —  | 1  |
| 16 | T1549 | Housing clutch sprocket ... ..                     | 1  | 1  | 1  | 1  | 1  |
| 17 | T1038 | Centre, clutch ... ..                              | 1  | 1  | 1  | 1  | 1  |
| 18 | T1039 | Plate, inner, retaining shock absorber ... ..      | 1  | 1  | 1  | 1  | 1  |
| 19 | T1040 | Screw, inner, retaining shock absorber, 0.417" ... | 4  | 4  | 4  | 4  | 4  |
| 20 | T1041 | Spider, clutch shock absorber ... ..               | 1  | 1  | 1  | 1  | 1  |
| 21 | T1472 | Rubber insert, clutch shock absorber (drive) ...   | 4  | 4  | 4  | 4  | 4  |
| 22 | T1473 | Rubber insert, clutch shock absorber (rebound) ... | 4  | 4  | 4  | 4  | 4  |
| 23 | T1044 | Plate, outer, retaining shock absorber ... ..      | 1  | 1  | 1  | 1  | 1  |
| 24 | T1040 | Screw, outer, retaining shock absorber, 0.417" U/H | 4  | 4  | 4  | 4  | 4  |
| 25 | T418  | Hub, clutch ... ..                                 | 1  | 1  | 1  | 1  | 1  |
| 26 | T394  | Roller, clutch housing to hub ... ..               | 20 | 20 | 20 | 20 | 20 |
| 27 | T1362 | Plate, clutch driving (bonded) ... ..              | 5  | 5  | 5  | 5  | 5  |
| 28 | T1363 | Plate, clutch driven (plain) ... ..                | 6  | 6  | 6  | 6  | 6  |
| 29 | T999  | Spring, clutch pressure ... ..                     | 4  | 4  | 4  | 4  | —  |
| 30 | T1560 | Spring, clutch pressure (strong) ... ..            | A  | A  | A  | A  | 4  |
| 31 | T423A | Pin, clutch pressure spring, 1 1/8" U/H ... ..     | 4  | 4  | 4  | 4  | 4  |
| 32 | T427  | Nut, clutch pressure spring pin ... ..             | 4  | 4  | 4  | 4  | 4  |
| 33 | T998  | Cup, clutch pressure spring ... ..                 | 4  | 4  | 4  | 4  | 4  |
| 34 | T986  | Plate, clutch pressure c/w button ... ..           | 1  | 1  | 1  | 1  | 1  |
| 35 | T422  | Button, clutch pressure plate ... ..               | 1  | 1  | 1  | 1  | 1  |







**WIDE RATIO GEARS — GROUP 5**  
**STANDARD RATIO GEARS — GROUP 6**  
**CLOSE RATIO GEARS — GROUP 7**

REF. No. PART No. DESCRIPTION 6T T100 T110 TR6 T120

**WIDE RATIO GEARS—GROUP 5**

*To convert from standard to wide ratio*

|   |       |   |     |     |     |     |  |  |  |  |  |
|---|-------|---|-----|-----|-----|-----|--|--|--|--|--|
| 1 | T1384 | Gear, mainshaft high 28T                | ... | ... | ... | ... |  |  |  |  |  |
| 2 | T968  | Gear, mainshaft 2nd 19T                 | ... | ... | ... | ... |  |  |  |  |  |
| 3 | T971  | Gear, layshaft high 18T c/w speedo gear | ... | ... | ... | ... |  |  |  |  |  |
| 4 | T974  | Gear, layshaft 2nd 27T                  | ... | ... | ... | ... |  |  |  |  |  |
| 5 | T975  | Gear, speedometer driven                | ... | ... | ... | ... |  |  |  |  |  |

**STANDARD RATIO GEARS—GROUP 6**

*To convert from wide to standard ratio*

|    |       |   |     |     |     |     |  |  |  |  |  |
|----|-------|---|-----|-----|-----|-----|--|--|--|--|--|
| 6  | T1382 | Gear, mainshaft high 26T                | ... | ... | ... | ... |  |  |  |  |  |
| 7  | T916  | Gear, mainshaft 2nd 20T                 | ... | ... | ... | ... |  |  |  |  |  |
| 8  | T1063 | Gear, layshaft high 20T c/w speedo gear | ... | ... | ... | ... |  |  |  |  |  |
| 9  | T1065 | Gear, layshaft 2nd 26T                  | ... | ... | ... | ... |  |  |  |  |  |
| 10 | T934  | Gear, speedometer driven                | ... | ... | ... | ... |  |  |  |  |  |

**CLOSE RATIO GEARS—GROUP 7**

|    |       |                                 |     |     |     |     |  |  |  |  |  |
|----|-------|---------------------------------|-----|-----|-----|-----|--|--|--|--|--|
| 11 | T1177 | Mainshaft and low gear 18T      | ... | ... | ... | ... |  |  |  |  |  |
| 12 | T1383 | Gear, mainshaft high 24T        | ... | ... | ... | ... |  |  |  |  |  |
| 13 | T955  | Gear, mainshaft 2nd 21T         | ... | ... | ... | ... |  |  |  |  |  |
| 14 | T1179 | Gear, mainshaft 3rd 23T         | ... | ... | ... | ... |  |  |  |  |  |
| 15 | T959  | Layshaft and high gear 22T      | ... | ... | ... | ... |  |  |  |  |  |
| 16 | T961  | Gear, layshaft low 28T          | ... | ... | ... | ... |  |  |  |  |  |
| 17 | T963  | Gear, layshaft 2nd 25T          | ... | ... | ... | ... |  |  |  |  |  |
| 18 | T964  | Gear layshaft 3rd 23T           | ... | ... | ... | ... |  |  |  |  |  |
| 19 | T983  | Plug, speedometer drive sealing | ... | ... | ... | ... |  |  |  |  |  |
| 20 | T948  | Washer, speedometer drive plug  | ... | ... | ... | ... |  |  |  |  |  |

Gear Ratios. Suitable ratios can be selected from the three groups which will enable the rider to operate his machine for normal road work or sporting events. To vary the ratios of any group, engine sprockets ranging from 17 to 25 teeth are available.

On the page following there will be found a R.P.M. and Gear Ratio Chart, which will assist the rider in making his selection.



ENGINE REVOLUTIONS PER MINUTE

| GEAR RATIO | 4.4  | 4.57 | 4.78 | 5.0  | 5.24 | 5.5  | 5.7  | 5.8  | 6.0  | 6.25 | 6.5  | 6.9  | 7.06 | 7.14 | 7.5  | 8.0  | 8.95 | 9.8  | 10.6 | 11.58 | 12.2 | 13.9 | 14.3 | 15.25 | 16.0 | 17.8 | 18.85 |
|------------|------|------|------|------|------|------|------|------|------|------|------|------|------|------|------|------|------|------|------|-------|------|------|------|-------|------|------|-------|
| 20         | 1144 | 1188 | 1244 | 1300 | 1364 | 1428 | 1480 | 1508 | 1560 | 1624 | 1688 | 1796 | 1836 | 1856 | 1948 | 2080 | 2300 | 2548 | 2756 | 3012  | 3172 | 3612 | 3720 | 3964  | 4160 | 4628 | 4900  |
| 25         | 1430 | 1485 | 1555 | 1625 | 1705 | 1785 | 1850 | 1885 | 1950 | 2030 | 2110 | 2245 | 2295 | 2320 | 2435 | 2600 | 2875 | 3185 | 3445 | 3765  | 3965 | 4515 | 4650 | 4955  | 5200 | 5785 | 6125  |
| 30         | 1716 | 1782 | 1866 | 1950 | 2046 | 2142 | 2220 | 2262 | 2340 | 2435 | 2532 | 2694 | 2754 | 2784 | 2922 | 3120 | 3450 | 3822 | 4134 | 4518  | 4758 | 5418 | 5585 | 5946  | 6240 | 6942 | —     |
| 35         | 2002 | 2079 | 2177 | 2275 | 2387 | 2499 | 2590 | 2639 | 2730 | 2842 | 2954 | 3143 | 3213 | 3248 | 3409 | 3640 | 4025 | 4459 | 4823 | 5271  | 5551 | 6321 | 6510 | 6937  | —    | —    | —     |
| 40         | 2288 | 2376 | 2488 | 2600 | 2728 | 2856 | 2960 | 3016 | 3120 | 3248 | 3376 | 3592 | 3672 | 3712 | 3896 | 4160 | 4600 | 5096 | 5512 | 6024  | 6344 | —    | —    | —     | —    | —    | —     |
| 45         | 2574 | 2670 | 2799 | 2925 | 3069 | 3213 | 3330 | 3393 | 3510 | 3554 | 3798 | 4041 | 4131 | 4176 | 4383 | 4680 | 5175 | 5733 | 6201 | 6777  | 7137 | —    | —    | —     | —    | —    | —     |
| 50         | 2860 | 2970 | 3110 | 3250 | 3410 | 3570 | 3700 | 3770 | 3900 | 4060 | 4220 | 4490 | 4590 | 4640 | 4870 | 5200 | 5750 | 6370 | 6890 | —     | —    | —    | —    | —     | —    | —    | —     |
| 55         | 3146 | 3267 | 3421 | 3575 | 3751 | 3927 | 4070 | 4147 | 4290 | 4466 | 4642 | 4939 | 5049 | 5104 | 5357 | 5720 | 6325 | 7007 | —    | —     | —    | —    | —    | —     | —    | —    | —     |
| 60         | 3432 | 3564 | 3732 | 3900 | 4092 | 4284 | 4440 | 4524 | 4680 | 4872 | 5064 | 5388 | 5508 | 5568 | 5844 | 6240 | 6900 | —    | —    | —     | —    | —    | —    | —     | —    | —    | —     |
| 70         | 4004 | 4158 | 4354 | 4550 | 4774 | 4998 | 5180 | 5278 | 5460 | 5684 | 5908 | 6286 | 6426 | 6496 | 6331 | 6760 | —    | —    | —    | —     | —    | —    | —    | —     | —    | —    | —     |
| 80         | 4576 | 4752 | 4976 | 5200 | 5456 | 5712 | 5920 | 6032 | 6240 | 6496 | 6752 | 7184 | 7344 | 7424 | —    | —    | —    | —    | —    | —     | —    | —    | —    | —     | —    | —    | —     |
| 90         | 5148 | 5346 | 5598 | 5850 | 6138 | 6426 | 6660 | 6786 | 7020 | 7308 | —    | —    | —    | —    | —    | —    | —    | —    | —    | —     | —    | —    | —    | —     | —    | —    | —     |
| 100        | 5720 | 5940 | 6220 | 6500 | 6820 | 7140 | 7400 | 7540 | —    | —    | —    | —    | —    | —    | —    | —    | —    | —    | —    | —     | —    | —    | —    | —     | —    | —    | —     |
| 110        | 6292 | 6534 | 6842 | 7150 | 7502 | 7854 | —    | —    | —    | —    | —    | —    | —    | —    | —    | —    | —    | —    | —    | —     | —    | —    | —    | —     | —    | —    | —     |

NOTE.—Engine R-P-M are calculated in conjunction with 3.50 x 19 Rear tyre equipment—780 R-P-Mile—and will deviate slightly from above figures for models not so equipped.

4.00 x 18 Rear Tyre 785 R-P-Mile.

3.25 x 19 Rear Tyre 793 R-P-Mile.

4.00 x 19 Rear Tyre 756 R-P-Mile.

GEAR RATIOS

| GEARS             | STANDARD RATIO |      |       | WIDE RATIO |      |      | CLOSE RATIO |       |      |      |      |       |
|-------------------|----------------|------|-------|------------|------|------|-------------|-------|------|------|------|-------|
|                   | Top            | 3rd  | 2nd   | 1st        | Top  | 3rd  | 2nd         | 1st   | Top  | 3rd  | 2nd  | 1st   |
| Engine Sprocket   | 1.00           | 1.19 | 1.69  | 2.44       | 1.00 | 1.42 | 2.21        | 2.91  | 1.00 | 1.09 | 1.30 | 1.69  |
| Gearbox Reduction | 1.00           | 1.19 | 1.69  | 2.44       | 1.00 | 1.42 | 2.21        | 2.91  | 1.00 | 1.09 | 1.30 | 1.69  |
| 17                | 6.46           | 7.7  | 10.94 | 15.8       | 6.46 | 9.22 | 14.30       | 18.85 | 6.46 | 7.06 | 8.42 | 11.00 |
| 18                | 6.10           | 7.28 | 10.32 | 14.9       | 6.10 | 8.70 | 13.50       | 17.80 | 6.10 | 6.66 | 7.95 | 10.40 |
| 19                | 5.80           | 6.9  | 9.8   | 14.15      | 5.80 | 8.25 | 12.80       | 16.85 | 5.80 | 6.32 | 7.54 | 9.84  |
| 20                | 5.50           | 6.55 | 9.3   | 13.4       | 5.50 | 7.84 | 12.18       | 16.0  | 5.50 | 6.00 | 7.15 | 9.35  |
| 21                | 5.24           | 6.24 | 8.85  | 12.8       | 5.24 | 7.46 | 11.58       | 15.25 | 5.24 | 5.72 | 6.81 | 8.90  |
| 22                | 5.00           | 5.95 | 8.45  | 12.2       | 5.00 | 7.13 | 11.05       | 14.55 | 5.00 | 5.45 | 6.50 | 8.50  |
| 23                | 4.78           | 5.69 | 8.09  | 11.69      | 4.78 | 6.82 | 10.60       | 13.90 | 4.78 | 5.23 | 6.23 | 8.12  |
| 24                | 4.57           | 5.45 | 7.75  | 11.2       | 4.57 | 6.54 | 10.14       | 13.35 | 4.57 | 5.00 | 5.96 | 7.78  |
| 25                | 4.40           | 5.24 | 7.45  | 10.75      | 4.40 | 6.26 | 9.73        | 12.80 | 4.40 | 4.80 | 5.73 | 7.46  |



REF. No. PART No. DESCRIPTION 6T T100 T110 TR6 T120

## EXHAUST SYSTEM—GROUP 8

## EXHAUST PIPES

|    |        |   |     |     |     |     |     |   |   |   |   |   |
|----|--------|---|-----|-----|-----|-----|-----|---|---|---|---|---|
| 1  | E3426  | Pipe, exhaust, L.H.                                 | ... | ... | ... | ... | ... | 1 | — | — | — | — |
| 2  | E3350  | Pipe, exhaust, R.H.                                 | ... | ... | ... | ... | ... | 1 | — | — | — | — |
| 3  | E3629  | Pipe, exhaust, L.H.                                 | ... | ... | ... | ... | ... | — | 1 | — | — | — |
| 4  | E3633  | Pipe, exhaust, R.H.                                 | ... | ... | ... | ... | ... | — | 1 | — | — | — |
| 5  | E3628  | Pipe, exhaust, L.H.                                 | ... | ... | ... | ... | ... | — | — | 1 | — | 1 |
| 6  | E3632  | Pipe, exhaust, R.H.                                 | ... | ... | ... | ... | ... | — | — | 1 | — | 1 |
| 7  | E3472  | Pipe, exhaust, L.H.                                 | ... | ... | ... | ... | ... | — | — | — | 1 | — |
| 8  | E3473  | Pipe, exhaust, R.H.                                 | ... | ... | ... | ... | ... | — | — | — | 1 | — |
| 9  | E1269  | Clip, pipe to head                                  | ... | ... | ... | ... | ... | 2 | — | 2 | 2 | 2 |
| 10 | E1270  | Clip, pipe to head                                  | ... | ... | ... | ... | ... | — | 2 | — | — | — |
| 11 | E409   | Bolt, exhaust clip, 1 $\frac{3}{16}$ " U/H          | ... | ... | ... | ... | ... | 2 | 2 | 2 | 2 | 2 |
| 12 | E410A  | Washer, exhaust clip bolt                           | ... | ... | ... | ... | ... | 2 | 2 | 2 | 2 | 2 |
| 13 | E3469  | Clip, exhaust to extension pipe                     | ... | ... | ... | ... | ... | — | — | — | 1 | — |
| 14 | TE164E | Bolt, exhaust clip, 1 $\frac{3}{16}$ " U/H          | ... | ... | ... | ... | ... | — | — | — | 1 | — |
| 15 | TE164C | Nut, exhaust clip bolt (D shape)                    | ... | ... | ... | ... | ... | — | — | — | 1 | — |
| 16 | TE164D | Washer, exhaust clip bolt (D shape)                 | ... | ... | ... | ... | ... | — | — | — | 1 | — |
| 17 | E2989  | Bracket, exhaust pipe to engine plate, L.H.         | ... | ... | ... | ... | ... | 1 | 1 | 1 | — | 1 |
| 18 | E2990  | Bracket, exhaust pipe to engine plate, R.H.         | ... | ... | ... | ... | ... | 1 | 1 | 1 | — | 1 |
| 19 | DS57   | Bolt, exhaust pipe to bracket, $\frac{7}{16}$ " U/H | ... | ... | ... | ... | ... | 2 | 2 | 2 | — | 2 |
| 20 | S26-2  | Washer, exhaust pipe to bracket bolt                | ... | ... | ... | ... | ... | 2 | 2 | 2 | 1 | 2 |
| 21 | F879   | Nut, exhaust pipe to bracket bolt                   | ... | ... | ... | ... | ... | 2 | 2 | 2 | 1 | 2 |
| 22 | F1369  | Bolt, exhaust pipe clip, $\frac{5}{8}$ " U/H        | ... | ... | ... | ... | ... | — | — | — | 1 | — |
| 23 | F1699  | Clip, pipe to backstay                              | ... | ... | ... | ... | ... | — | — | — | 1 | — |

## SILENCERS

|    |        |   |     |     |     |     |     |   |   |   |   |   |
|----|--------|---|-----|-----|-----|-----|-----|---|---|---|---|---|
| 24 | E3651  | Silencer, L.H.  | ... | ... | ... | ... | ... | 1 | 1 | 1 | — | 1 |
| 25 | E3652  | Silencer, R.H.  | ... | ... | ... | ... | ... | 1 | 1 | 1 | — | 1 |
| 26 | E3470  | Silencer  | ... | ... | ... | ... | ... | — | — | — | 1 | — |
| 27 | DS55   | Bolt, silencer hanger, 1 $\frac{5}{16}$ " U/H               | ... | ... | ... | ... | ... | 2 | 2 | 2 | — | 2 |
| 28 | F1213  | Bolt, silencer hanger, $\frac{11}{16}$ " U/H                | ... | ... | ... | ... | ... | — | — | — | 1 | — |
| 29 | SI-51  | Nut, silencer hanger bolt                                   | ... | ... | ... | ... | ... | 2 | 2 | 2 | 1 | 2 |
| 30 | S25-3  | Washer, silencer hanger bolt nut                            | ... | ... | ... | ... | ... | — | — | — | 1 | — |
| 31 | E3469  | Clip, silencer to exhaust pipe                              | ... | ... | ... | ... | ... | — | — | — | 1 | — |
| 32 | TE164E | Bolt, silencer to exhaust pipe clip, 1 $\frac{3}{16}$ " U/H | ... | ... | ... | ... | ... | — | — | — | 1 | — |
| 33 | TE164C | Nut, silencer to exhaust pipe clip                          | ... | ... | ... | ... | ... | — | — | — | 1 | — |
| 34 | TE164D | Washer, silencer to exhaust pipe clip                       | ... | ... | ... | ... | ... | — | — | — | 1 | — |

# GROUP 8 — EXHAUST SYSTEM

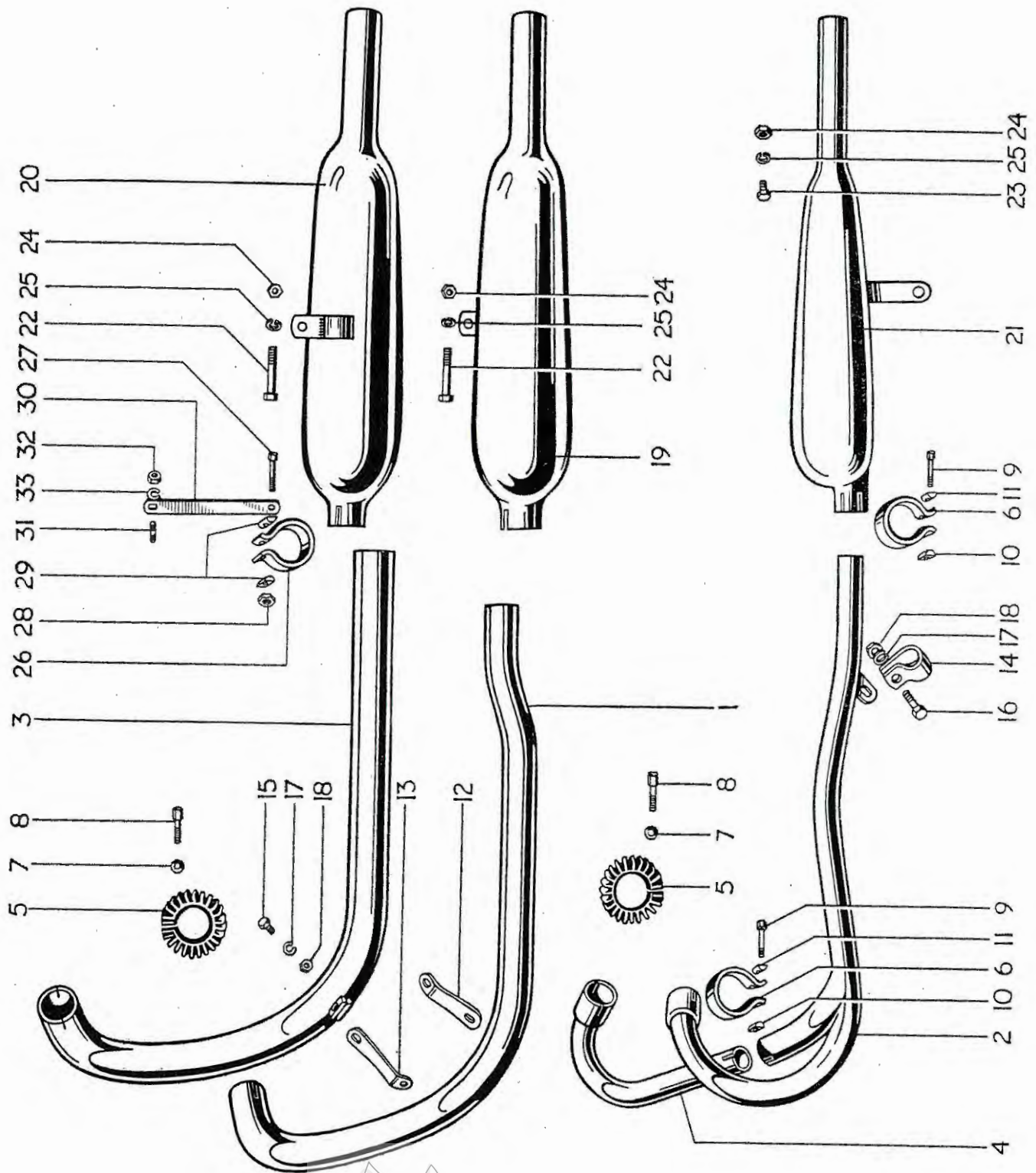


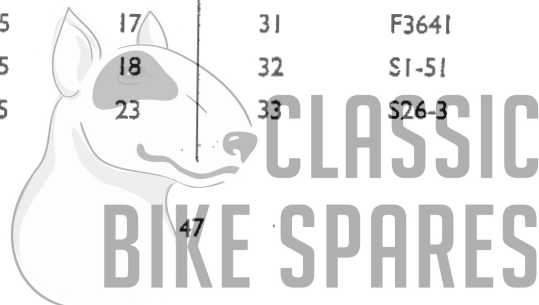
FIG. 12. EXHAUST PIPES AND SILENCERS

# EXHAUST SYSTEM — GROUP 8

| REF. No. | PART No. | DESCRIPTION   | 6T | T100 | T110 | TR6 | T120 |
|----------|----------|---|----|------|------|-----|------|
| 1        | E3767    | Clip, silencer to exhaust pipe ... ..                           | 2  | 2    | 2    | —   | 2    |
| 2        | F3430    | Bolt, silencer to exhaust pipe clip, $\frac{5}{8}$ " U/H ... .. | 2  | 2    | 2    | —   | 2    |
| 3        | E3768    | Washer, clip bolt nut (D shape) ... ..                          | 4  | 4    | 4    | —   | 4    |
| 4        | E1310    | Nut, clip bolt ... ..   | 2  | 2    | 2    | —   | 2    |
| 5        | F4141    | Stay, clip bolt to frame ... ..                                 | 2  | 2    | 2    | —   | 2    |
| 6        | F3641    | Stud, stay to frame, $\frac{11}{16}$ " O/A ... ..               | 1  | 1    | 1    | —   | 1    |
| 7        | S26-3    | Washer, fixing stud ... ..                                      | 1  | 1    | 1    | —   | 1    |
| 8        | SI-51    | Nut, stay stud ... ..   | 1  | 1    | 1    | —   | 1    |

## INDEX FIG. 12

| Illust. No. | Part No. | Page No. | Ref. No. | Illust. No. | Part No. | Page No. | Ref. No. |
|-------------|----------|----------|----------|-------------|----------|----------|----------|
| 1           | E3426    | 45       | 1        | 15          | DS57     | 45       | 19       |
|             | E3629    | 45       | 3        | 16          | F1369    | 45       | 22       |
|             | E3628    | 45       | 5        | 17          | S26-2    | 45       | 20       |
| 2           | E3472    | 45       | 7        | 18          | F879     | 45       | 21       |
| 3           | E3350    | 45       | 2        | 19          | E3651    | 45       | 24       |
|             | E3633    | 45       | 4        | 20          | E3652    | 45       | 25       |
|             | E3632    | 45       | 6        | 21          | E3470    | 45       | 26       |
| 4           | E3473    | 45       | 8        | 22          | DS55     | 45       | 27       |
| 5           | E1269    | 45       | 9        | 23          | F1213    | 45       | 28       |
|             | E1270    | 45       | 10       | 24          | SI-51    | 45       | 29       |
| 6           | E3469    | 45       | 13       | 25          | S25-3    | 45       | 30       |
| 7           | E410A    | 45       | 12       | 26          | E3767    | 47       | 1        |
| 8           | E409     | 45       | 11       | 27          | F3430    | 47       | 2        |
| 9           | TE164E   | 45       | 14       | 28          | E3768    | 47       | 3        |
| 10          | TE164C   | 45       | 15       | 29          | E1310    | 47       | 4        |
| 11          | TE164D   | 45       | 16       | 30          | F4141    | 47       | 5        |
| 12          | E2989    | 45       | 17       | 31          | F3641    | 47       | 6        |
| 13          | E2990    | 45       | 18       | 32          | SI-51    | 47       | 8        |
| 14          | F1699    | 45       | 23       | 33          | S26-3    | 47       | 7        |



# GROUP 9 - FRAME

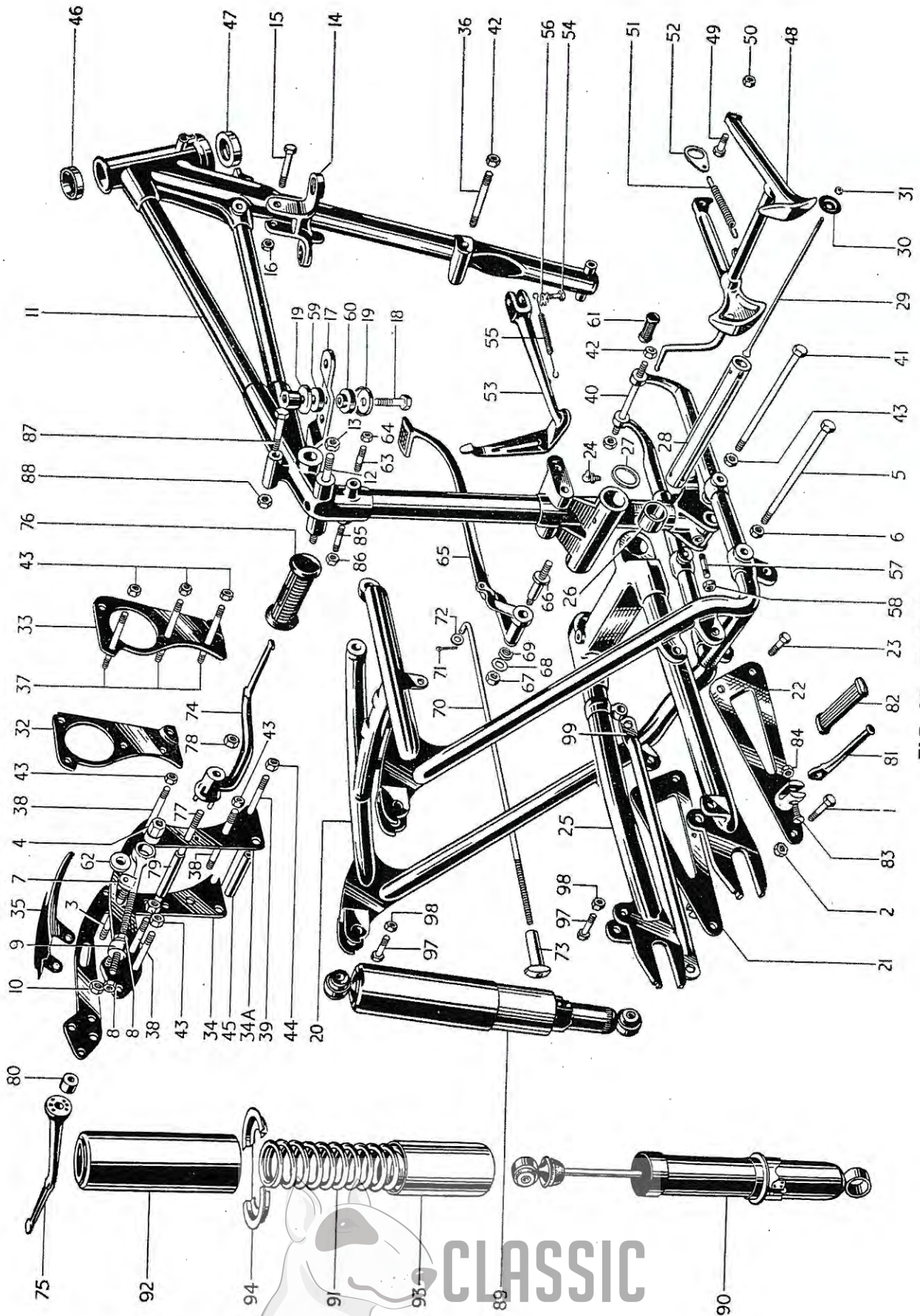
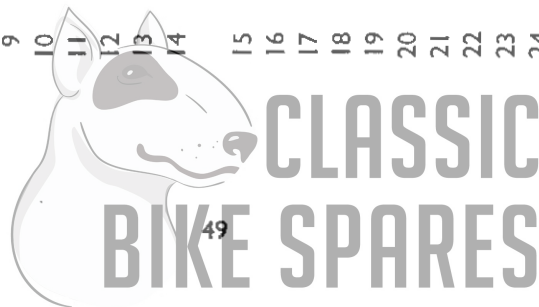


FIG. 13. FRAME

INDEX FIG. 13

| Illust. No. | Part No. | Page No. | Ref. No. | Illust. No. | Part No. | Page No. | Ref. No. | Illust. No. | Part No.     | Page No. | Ref. No. |
|-------------|----------|----------|----------|-------------|----------|----------|----------|-------------|--------------|----------|----------|
| 1           | DS55     | 45       | 27       | 33          | F2647    | 52       | 3        | 65          | F3595        | 83       | 1        |
| 2           | SI-51    | 45       | 29       | 34          | E2223    | 52       | 4        | 66          | F867         | 83       | 2        |
| 3           | F3769    | 37       | 1        | 34A         | F3760    | 52       | 5        | 67          | SI-52        | 83       | 5        |
| 4           | F3772    | 37       | 4        | 35          | F3541    | 52       | 6        | 68          | S25-2        | 83       | 6        |
| 5           | F3575    | 37       | 5        | 36          | F3571    | 53       | 2        | 69          | S26-16       | 83       | 7        |
| 6           | DS47     | 37       | 6        | 37          | F2414    | 53       | 3        | 70          | F3597        | 83       | 8        |
| 7           | F4422    | 37       | 8        | 38          | F1711    | 53       | 4        | 71          | Split pin    | 83       | 9        |
| 8           | SI-51    | 37       | 10       | 39          | F839     | 53       | 5        | 72          | S25-13       | 83       | 10       |
| 9           | F3767    | 37       | 11       | 40          | F3665    | 53       | 6        | 73          | F3667        | 83       | 12       |
| 10          | PO172A   | 37       | 13       | 41          | F1680    | 53       | 7        | 74          | F3593        | 83       | 13       |
| 11          | F4414    | 50       | 1        | 42          | F3108    | 53       | 8        | 75          | F987         | 83       | 14       |
| 12          | F1561    | 50       | 21       | 43          | DS47     | 53       | 9        | 76          | NF704        | 83       | 15       |
| 13          | PO172A   | 50       | 22       | 44          | PO172A   | 53       | 10       | 77          | F3592        | 83       | 16       |
| 14          | F1841    | 50       | 6        | 45          | SI-52    | 53       | 11       | 78          | DS48         | 83       | 17       |
| 15          | F3900    | 50       | 7        | 46          | F862     | 53       | 14       | 79          | F862         | 83       | 19       |
| 16          | F1451    | 50       | 8        | 47          | H111     | 58       | 26       | 80          | T87          | 83       | 20       |
| 17          | SI-52    | 50       | 9        | 48          | H111     | 58       | 26       | 81          | F1694        | 83       | 21       |
| 18          | F4273    | 50       | 10       | 49          | F4304    | 51       | 19       | 82          | F1695        | 83       | 22       |
| 19          | F3816    | 50       | 14       | 50          | F3619    | 51       | 20       | 83          | F2271        | 83       | 23       |
| 20          | F3814    | 50       | 11       | 51          | F2725    | 51       | 22       | 84          | SI-51        | 83       | 24       |
| 21          | F3635    | 50       | 24       | 52          | F3617    | 51       | 23       | 85          | F3641        | 84       | 12       |
| 22          | F3718    | 50       | 25       | 53          | F3618    | 51       | 24       | 86          | F1008        | 84       | 13       |
| 23          | F3580    | 50       | 26       | 54          | F3723    | 51       | 26       | 87          | E2593        | 107      | 10       |
| 24          | F2603    | 50       | 27       | 55          | F3097    | 51       | 27       | 88          | F3006        | 107      | 11       |
| 25          | KW194    | 50       | 31       | 56          | F1610    | 51       | 28       | 89          | SI-51        | 107      | 13       |
| 26          | F1431    | 51       | 1        | 57          | F3096    | 51       | 29       | 90          | See page 108 |          |          |
| 27          | F3690    | 51       | 2        | 58          | F3641    | 47       | 6        | 91          | See page 108 |          |          |
| 28          | F3574    | 51       | 3        | 59          | SI-51    | 47       | 8        | 92          | See page 108 |          |          |
| 29          | F3564    | 51       | 4        | 60          | F967     | 50       | 12       | 93          | 9054/151     | 108      | 24       |
| 30          | F3797    | 51       | 5        | 61          | F3815    | 50       | 13       | 94          | 9054/47      | 108      | 25       |
| 31          | F3798    | 51       | 6        | 62          | T449     | 51       | 25       | 97          | 9054/171     | 108      | 23       |
| 32          | F3799    | 51       | 7        | 63          | F3770    | 37       | 2        | 98          | E2113        | 108      | 31       |
|             | F2646    | 52       | 1        | 64          | F3641    | 74       | 14       | 99          | PO172A       | 108      | 33       |
|             | E2222    | 52       | 2        |             | F1008    | 74       | 15       |             | F3774        | 51       | 8        |





# GROUP 9 — FRAME

| REF. No.             | PART No. | DESCRIPTION   | 6T | T100 | T110 | TR6 | T120 |
|----------------------|----------|---|----|------|------|-----|------|
| <b>FRONT PORTION</b> |          |   |    |      |      |     |      |
| 1                    | F4414    | Frame, front portion ... ..                                 | 1  | 1    | 1    | 1   | 1    |
| 2                    | F3906    | Bolt, steering stop $\frac{9}{16}$ " U/H ... ..             | 2  | 2    | 2    | 2   | 2    |
| 3                    | T224     | Locknut, stop bolt ... ..                                   | 2  | 2    | 2    | 2   | 2    |
| 4                    | D402/3   | Lock, steering head c/w keys ... ..                         | A  | A    | A    | A   | A    |
| 5                    | D403     | Key, lock (state number) ... ..                             | A  | A    | A    | A   | A    |
| 6                    | F1841    | Support, petrol tank front ... ..                           | 1  | 1    | 1    | —   | 1    |
| 7                    | F3900    | Support, petrol tank front (Export Tigers only) ... ..      | —  | A    | A    | 1   | A    |
| 8                    | F1451    | Bolt, petrol tank front support $2\frac{1}{8}$ " U/H ... .. | 1  | 1    | 1    | 1   | 1    |
| 9                    | SI-52    | Nut, petrol tank front support ... ..                       | 1  | 1    | 1    | 1   | 1    |
| 10                   | F4273    | Support, petrol tank rear ... ..                            | 1  | 1    | 1    | 1   | 1    |
| 11                   | F3814    | Cup, tank support rubbers ... ..                            | 4  | 4    | 4    | 4   | 4    |
| 12                   | F967     | Washer, rubber top ... ..                                   | 2  | 2    | 2    | 2   | 2    |
| 13                   | F3815    | Washer, rubber spigotted lower ... ..                       | 2  | 2    | 2    | 2   | 2    |
| 14                   | F3816    | Bolt, tank support to frame $1\frac{3}{8}$ " U/H ... ..     | 2  | 2    | 2    | 2   | 2    |
| 15                   | E3308    | Stay, engine to frame torque ... ..                         | 2  | 2    | 2    | 2   | 2    |
| 16                   | F2603    | Bolt torque stay to frame lug $\frac{1}{8}$ " U/H ... ..    | 1  | 1    | 1    | 1   | 1    |
| 17                   | SI-51    | Nut, torque stay bolt ... ..                                | 1  | 1    | 1    | 1   | 1    |
| 18                   | S26-3    | Washer, torque stay bolt ... ..                             | 1  | 1    | 1    | 1   | 1    |
| 19                   | SI-52    | Nut, torque stay to engine bolt ... ..                      | 2  | 2    | 2    | 2   | 2    |
| 20                   | S26-1    | Washer, torque stay to engine bolt ... ..                   | 2  | 2    | 2    | 2   | 2    |
| 21                   | F1561    | Stud, seat lug to back stays $5\frac{5}{8}$ " O/A ... ..    | 1  | 1    | 1    | 1   | 1    |
| 22                   | PO172A   | Nut, seat lug to back stays stud ... ..                     | 2  | 2    | 2    | 2   | 2    |
| 23                   | S26-1    | Washer, seat lug to back stays stud ... ..                  | 2  | 2    | 2    | 2   | 2    |

SEE FRONT FORK GROUP FOR STEERING RACES PAGE 58

## REAR PORTION

|    |       |  |   |   |   |   |   |
|----|-------|--|---|---|---|---|---|
| 24 | F3635 | Frame, rear portion ... ..                         | 1 | 1 | 1 | 1 | 1 |
| 25 | F3718 | Support bracket L.H. silencer ... ..               | 1 | 1 | 1 | 1 | 1 |
| 26 | F3580 | Support bracket R.H. silencer ... ..               | 1 | 1 | 1 | 1 | 1 |
| 27 | F2603 | Bolt, bracket to frame $\frac{1}{8}$ " U/H ... ..  | 1 | 1 | 1 | 1 | 1 |
| 28 | E1396 | Stud, bracket to frame $1\frac{1}{8}$ " O/A ... .. | 2 | 2 | 2 | 2 | 2 |
| 29 | SI-51 | Nut, bracket to frame bolts and stud ... ..        | 3 | 3 | 3 | 3 | 3 |
| 30 | S26-3 | Washer, bracket to frame bolts and stud ... ..     | 3 | 3 | 3 | 3 | 3 |
| 31 | KWI94 | Lubricator, swinging fork ... ..                   | 1 | 1 | 1 | 1 | 1 |
| 32 | WE170 | Washer, lubricator ... ..                          | 1 | 1 | 1 | 1 | 1 |


  
**ALWAYS QUOTE COLOURS WHEN ORDERING FRAME PARTS.**

**FRAME — GROUP 9**  
**STAND — GROUP 10**

| REF. No.             | PART No. | DESCRIPTION                                     | 6T | T100 | T110 | TR6 | T120 |
|----------------------|----------|---|----|------|------|-----|------|
| <b>SWINGING FORK</b> |          |   |    |      |      |     |      |
| 1                    | F4131    | Swinging fork assy. c/w bushes ... ..           | 1  | 1    | 1    | 1   | 1    |
| 2                    | F3690    | Bush, fork lug ... ..                           | 2  | 2    | 2    | 2   | 2    |
| 3                    | F3574    | Spacing washer, R.H. ... ..                     | 1  | 1    | 1    | 1   | 1    |
| 4                    | F3564    | Spindle, S/Fork ... ..                          | 1  | 1    | 1    | 1   | 1    |
| 5                    | F3797    | Rod, cap retaining ... ..                       | 1  | 1    | 1    | 1   | 1    |
| 6                    | F3798    | Cap, spindle retaining ... ..                   | 2  | 2    | 2    | 2   | 2    |
| 7                    | F3799    | Nut, cap retaining ... ..                       | 1  | 1    | 1    | 1   | 1    |
| 8                    | F3774    | Stay, rear brake torque ... ..                  | 1  | 1    | 1    | 1   | 1    |
| 9                    | F3780    | Bolt, stay to fork 1 $\frac{1}{8}$ " U/H ... .. | 1  | 1    | 1    | 1   | 1    |
| 10                   | DS47     | Nut, stay bolt ... ..                           | 1  | 1    | 1    | 1   | 1    |
| 11                   | PCW73A   | Washer, stay bolt nut ... ..                    | 1  | 1    | 1    | 1   | 1    |

**STAND—GROUP 10**

**FRONT STAND**

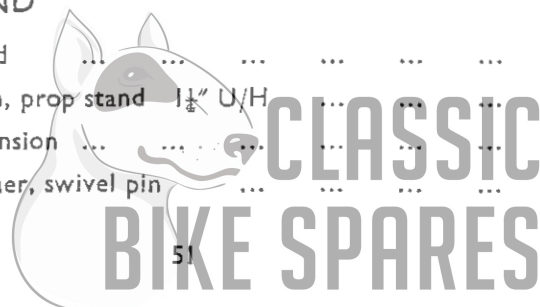
|    |       |  |   |   |   |   |   |
|----|-------|--|---|---|---|---|---|
| 12 | H412  | Front stand ... ..   | 1 | 1 | 1 | 1 | 1 |
| 13 | DS55  | Bolt, front guard to stand 1 $\frac{1}{8}$ " U/H ... ..        | 1 | 1 | 1 | 1 | 1 |
| 14 | SI-51 | Nut, front guard to stand bolt... ..                           | 1 | 1 | 1 | 1 | 1 |
| 15 | NS362 | Nut, front stand to guard spigot ... ..                        | 1 | 1 | 1 | 1 | 1 |
| 16 | H424  | Screw, front stand to fork pivot 3 $\frac{1}{16}$ " U/H ... .. | 2 | 2 | 2 | 2 | 2 |
| 17 | S25-3 | Washer, pivot screw plain ... ..                               | 2 | 2 | 2 | 2 | 2 |
| 18 | H425  | Washer, pivot screw spring ... ..                              | 2 | 2 | 2 | 2 | 2 |

**CENTRE STAND**

|    |       |  |   |   |   |   |   |
|----|-------|--|---|---|---|---|---|
| 19 | F4304 | Centre stand ... ..                                      | 1 | 1 | 1 | 1 | 1 |
| 20 | F3619 | Pivot bolt, stand to frame 1 $\frac{3}{16}$ " U/H ... .. | 2 | 2 | 2 | 2 | 2 |
| 21 | F4484 | Tab washer ... ..  | 2 | 2 | 2 | 2 | 2 |
| 22 | F2725 | Nut, stand to frame bolt ... ..                          | 2 | 2 | 2 | 2 | 2 |
| 23 | F3617 | Spring, centre stand ... ..                              | 1 | 1 | 1 | 1 | 1 |
| 24 | F3618 | Connecting link, stand spring ... ..                     | 1 | 1 | 1 | 1 | 1 |
| 25 | T449  | Rubber, stand pedal ... ..                               | 1 | 1 | 1 | 1 | 1 |

**PROP STAND**

|    |       |   |   |   |   |   |   |
|----|-------|---|---|---|---|---|---|
| 26 | F3723 | Prop stand ... ..                                   | 1 | 1 | 1 | 1 | 1 |
| 27 | F3097 | Swivel pin, prop stand 1 $\frac{1}{2}$ " U/H ... .. | 1 | 1 | 1 | 1 | 1 |
| 28 | F2610 | Spring, tension ... ..                              | 1 | 1 | 1 | 1 | 1 |
| 29 | F3096 | Lock washer, swivel pin ... ..                      | 1 | 1 | 1 | 1 | 1 |





# ENGINE PLATE — GROUP 11 TELESCOPIC FRONT FORK — GROUP 12

| REF. No. | PART No. | DESCRIPTION  | 6T | T100 | T110 | TR6 | T120 |
|----------|----------|--|----|------|------|-----|------|
| 1        | E2275    | Cover, engine plate front ... ..                               | 1  | 1    | 1    | 1   | 1    |
| 2        | F3571    | Cover, engine plate rear ... ..                                | 1  | 1    | 1    | 1   | 1    |
| 3        | F2414    | Stud, $\frac{7}{16}$ " $\times$ $4\frac{1}{8}$ " C.E.I. ... .. | 1  | 1    | 1    | 1   | 1    |
| 4        | F1711    | Stud, $\frac{3}{8}$ " $\times$ $4\frac{1}{16}$ " C.E.I. ... .. | 3  | 3    | 3    | 3   | 3    |
| 5        | F839     | Stud, $\frac{3}{8}$ " $\times$ $4\frac{7}{16}$ " C.E.I. ... .. | 4  | 4    | 4    | 4   | 4    |
| 6        | F3665    | Stud, $\frac{3}{8}$ " $\times$ $4\frac{1}{4}$ " C.E.I. ... ..  | 1  | 1    | 1    | 1   | 1    |
| 7        | F1680    | Stud, $\frac{7}{16}$ " $\times$ $4\frac{3}{8}$ " C.E.I. ... .. | 1  | 1    | 1    | 1   | 1    |
| 8        | F3108    | Bolt, rear engine plate to frame, $7\frac{3}{32}$ " U/H ... .. | 1  | 1    | 1    | 1   | 1    |
| 9        | DS47     | Nut, for F2414, F1680 Studs ... ..                             | 4  | 4    | 4    | 4   | 4    |
| 10       | PO172A   | Nut, for F1023, F1711, F839 Studs and F3108 bolt ...           | 15 | 15   | 15   | 15  | 15   |
| 11       | S1-52    | Nut, for F3665 Stud ... ..                                     | 2  | 2    | 2    | 2   | 2    |
| 12       | PCW73A   | Washer, for F2414, F1680 Studs ... ..                          | 4  | 4    | 4    | 4   | 4    |
| 13       | S26-1    | Washer, for F1711, F839 Studs and F3108 bolt ...               | 17 | 17   | 17   | 17  | 17   |
| 14       | F862     | Distance tube for F3108 bolt ... ..                            | 1  | 1    | 1    | 1   | 1    |

## FRONT FORK—GROUP 12

|    |       |   |   |   |   |   |   |
|----|-------|---|---|---|---|---|---|
| 15 | H1198 | Fork assembly ... ..  | 1 | 1 | 1 | — | 1 |
| 16 | H1200 | Fork assembly ... ..  | — | — | — | 1 | — |
| 17 | H663A | Lug, fork top ... ..  | 1 | 1 | 1 | — | 1 |
| 18 | H380  | Lug, fork top c/w clips ... ..                              | — | — | — | 1 | — |
| 19 | F1760 | Bolt, fork top lug pinch, $1\frac{11}{16}$ " U/H ... ..     | 1 | 1 | 1 | 1 | 1 |
| 20 | H379  | Nut, fork pinch bolt ... ..                                 | 1 | 1 | 1 | 1 | 1 |
| 21 | H660  | "U" bolt, handlebar clamp ... ..                            | 2 | 2 | 2 | — | 2 |
| 22 | S25-3 | Washer, handlebar clamp ... ..                              | 4 | 4 | 4 | — | 4 |
| 23 | E1310 | Nut, handlebar clamp ... ..                                 | 4 | 4 | 4 | — | 4 |
| 24 | H506  | Cap, handlebar clamp ... ..                                 | — | — | — | 2 | — |
| 25 | H436  | Bolt, handlebar clamp cap, $\frac{7}{8}$ " U/H ... ..       | — | — | — | 4 | — |
| 26 | H1229 | Crown and stem fork ... ..                                  | 1 | 1 | 1 | 1 | 1 |
| 27 | H405  | Nut, crown and stem sleeve ... ..                           | 1 | 1 | 1 | 1 | 1 |
| 28 | H941  | Bolt, crown and stem to stanchion, $2\frac{1}{4}$ " U/H ... | 2 | 2 | 2 | 2 | 2 |
| 29 | E2412 | Nut, crown and stem to stanchion ... ..                     | 2 | 2 | 2 | 2 | 2 |
| 30 | S25-2 | Washer, crown and stem to stanchion ... ..                  | 2 | 2 | 2 | 2 | 2 |



# GROUP 12 – TELESCOPIC FRONT FORK

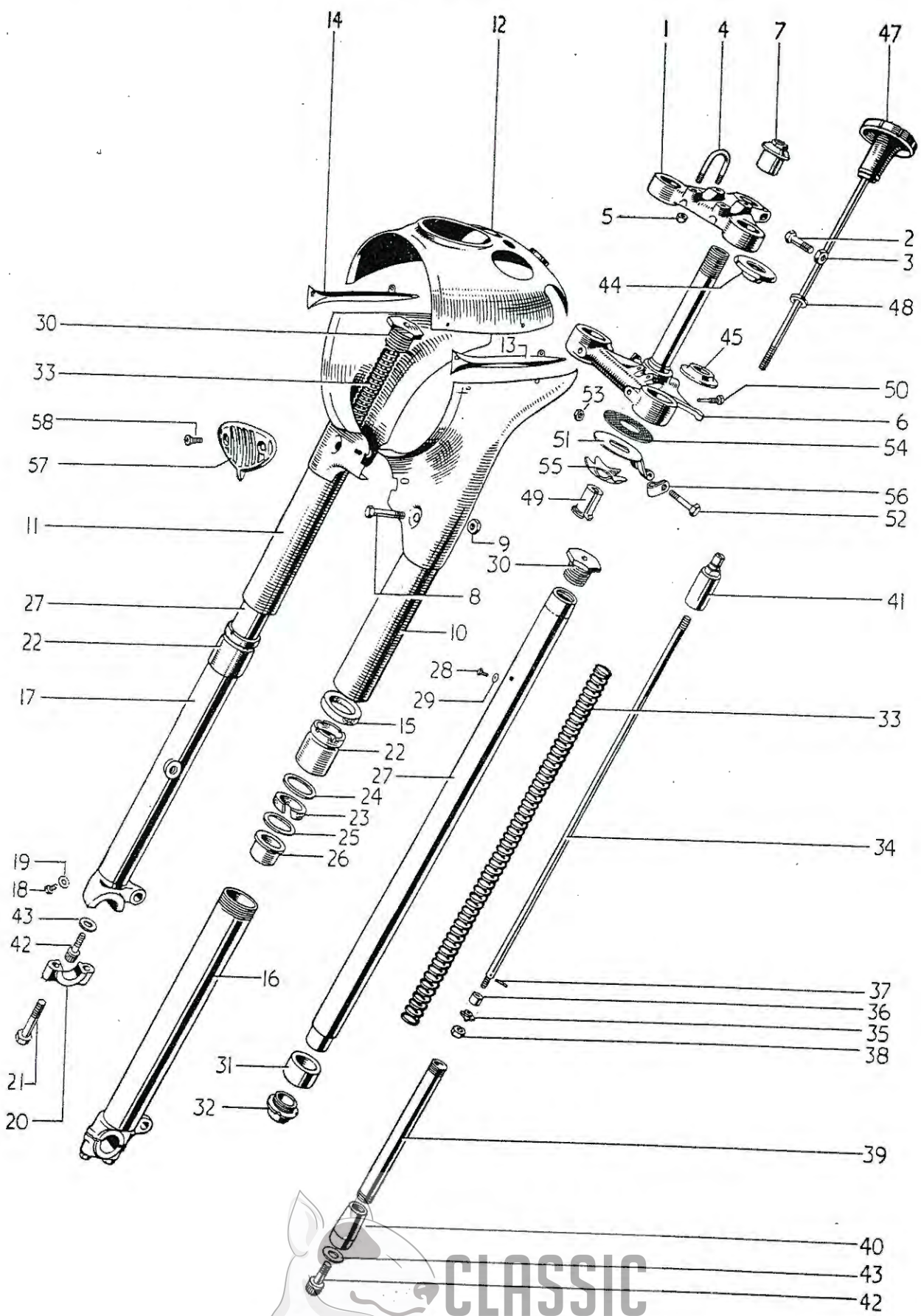
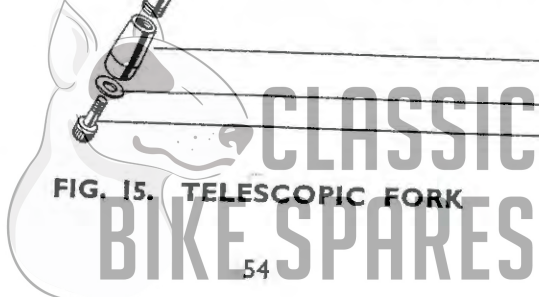


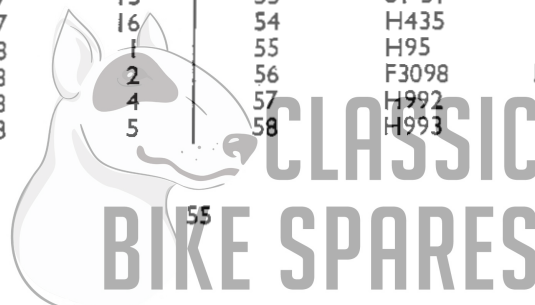
FIG. 15. TELESCOPIC FORK



| REF. No. | PART No. | DESCRIPTION  | 6T | T100 | T110 | TR6 | T120 |
|----------|----------|--|----|------|------|-----|------|
| 1        | H799     | Cover, nacelle, L.H. ... ..                                  | 1  | 1    | 1    | —   | 1    |
| 2        | H1205    | Cover, nacelle, R.H. ... ..                                  | 1  | 1    | 1    | —   | 1    |
| 3        | H963     | Cover, top c/w headlamp bracket, L.H. ... ..                 | —  | —    | —    | 1   | —    |
| 4        | H964     | Cover, top c/w headlamp bracket, R.H. ... ..                 | —  | —    | —    | 1   | —    |
| 5        | H962     | Gaiter, rubber, telescopic ... ..                            | —  | —    | —    | 2   | —    |
| 6        | D340     | Clip, gaiter top ... ..                                      | —  | —    | —    | 2   | —    |
| 7        | H1208    | Top unit, nacelle ... ..                                     | 1  | —    | —    | —   | —    |
| 8        | H1207    | Top unit, nacelle ... ..                                     | —  | 1    | 1    | —   | —    |
| 9        | H1278    | Top unit, nacelle ... ..                                     | —  | —    | —    | —   | 1    |
| 10       | A46      | Transfer, Thunderbird ... ..                                 | 1  | —    | —    | —   | —    |
| 11       | A57      | Transfer "Bonneville 120" ... ..                             | —  | —    | —    | —   | 1    |
| 12       | H669     | Grommet, handlebar rubber ... ..                             | 2  | 2    | 2    | —   | 2    |
| 13       | H961     | Grommet, control cables ... ..                               | 3  | 3    | 3    | —   | 3    |
| 14       | H689     | Screw, top unit to nacelle cover, $\frac{1}{4}$ " U/H ... .. | 2  | 2    | 2    | —   | 2    |
| 15       | H691     | Nut, motif front ... ..                                      | 2  | 2    | 2    | —   | 2    |
| 16       | E2880    | Washer, serrated ... ..                                      | 2  | 2    | 2    | —   | 2    |
| 17       | H623     | Motif (flash), L.H. ... ..                                   | 1  | 1    | 1    | —   | 1    |
| 18       | H624     | Motif (flash), R.H. ... ..                                   | 1  | 1    | 1    | —   | 1    |
| 19       | H688     | Screw, motif front, $\frac{5}{16}$ " U/H ... ..              | 2  | 2    | 2    | —   | 2    |
| 20       | H691     | Nut, motif front ... ..                                      | 2  | 2    | 2    | —   | 2    |

INDEX FIG. 15

| Illust. No. | Part No. | Page No. | Ref. No. | Illust. No. | Part No. | Page No. | Ref. No. |
|-------------|----------|----------|----------|-------------|----------|----------|----------|
| 1           | H663A    | 53       | 17       | 30          | H432A    | 58       | 6        |
| 2           | F1760    | 53       | 19       | 31          | H443     | 58       | 8        |
| 3           | H379     | 53       | 20       | 32          | H444     | 58       | 9        |
| 4           | H660     | 53       | 21       | 33          | H384     | 58       | 10       |
| 5           | E1310    | 53       | 23       |             | H1095    | 58       | 11       |
| 6           | H1229    | 53       | 26       |             | H749     | 58       | 12       |
| 7           | H405     | 53       | 27       | 34          | H399A    | 58       | 15       |
| 8           | H941     | 53       | 28       | 35          | H452     | 58       | 17       |
| 9           | E2412    | 53       | 29       | 36          | H453     | 58       | 18       |
| 10          | H799     | 55       | 1        | 37          | H454     | 58       | 19       |
| 11          | H1205    | 55       | 2        | 38          | F879     | 58       | 20       |
| 12          | H1207    | 55       | 8        | 39          | H394     | 58       | 21       |
|             | H1208    | 55       | 7        | 40          | H1096    | 58       | 22       |
| 13          | H623     | 55       | 17       | 41          | H397     | 58       | 23       |
| 14          | H624     | 55       | 18       | 42          | H1063    | 58       | 24       |
| 15          | H420     | 57       | 3        | 43          | H1062    | 58       | 25       |
| 16          | H1201    | 57       | 4        | 44          | H1018    | 58       | 27       |
| 17          | H1202    | 57       | 5        | 45          | H439     | 58       | 28       |
| 18          | H1071    | 57       | 11       | 47          | H536     | 58       | 30       |
| 19          | H430     | 57       | 12       | 48          | H565     | 58       | 31       |
| 20          | H1053    | 57       | 8        | 49          | H408     | 58       | 32       |
| 21          | H1070    | 57       | 10       | 50          | H409     | 58       | 33       |
| 22          | H390     | 57       | 13       | 51          | H413     | 58       | 34       |
| 23          | H391     | 57       | 14       | 52          | F1718    | 58       | 35       |
| 24          | H445     | 57       | 15       | 53          | S1-51    | 58       | 36       |
| 25          | H431     | 57       | 16       | 54          | H435     | 58       | 37       |
| 26          | H441     | 58       | 1        | 55          | H95      | 58       | 38       |
| 27          | H382A    | 58       | 2        | 56          | F3098    | 108      | 18       |
| 28          | H519A    | 58       | 4        | 57          | H992     | 57       | 17       |
| 29          | H430     | 58       | 5        | 58          | H993     | 57       | 18       |



# GROUP 12 – TELESCOPIC FRONT FORK

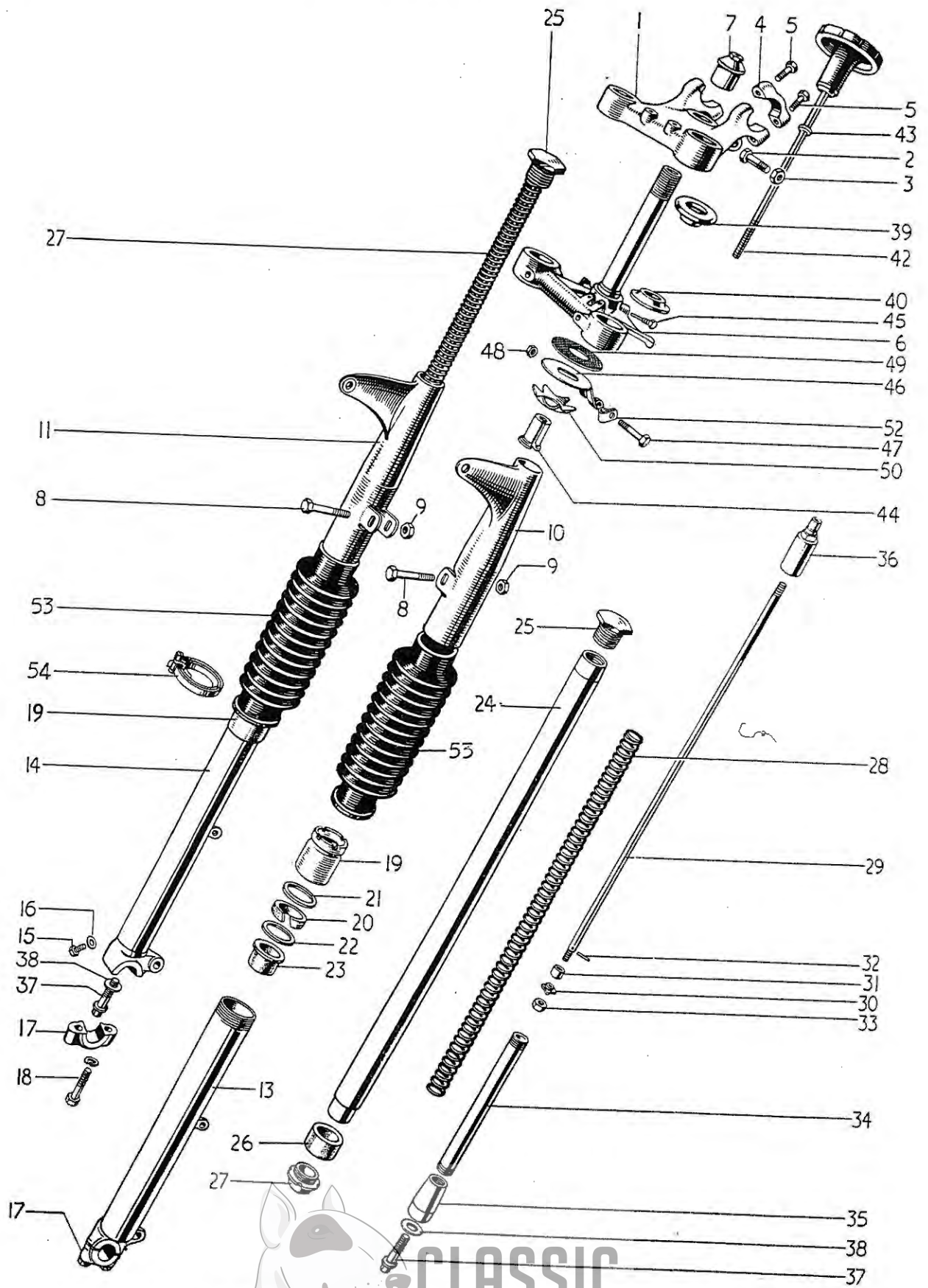


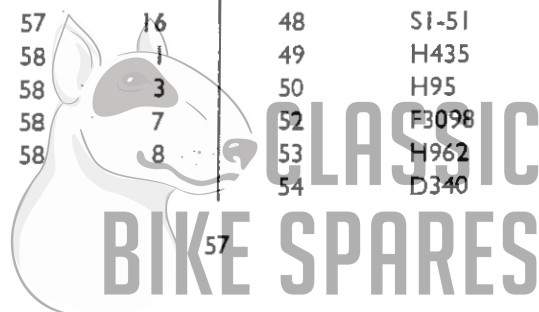
FIG. 16. TELESCOPIC FORK (TROPHY)

# TELESCOPIC FRONT FORK — GROUP 12

| REF. No. | PART No. | DESCRIPTION  | 6T | T100 | T110 | TR6 | T120 |
|----------|----------|--|----|------|------|-----|------|
| 1        | E2880    | Washer, motif front ... ..                                   | 2  | 2    | 2    | —   | 2    |
| 2        | H687     | Screw, top unit to nacelle cover, $\frac{3}{8}$ " U/H ... .. | 2  | 2    | 2    | —   | 2    |
| 3        | H420     | Washer, cover tube (rubber) ... ..                           | 2  | 2    | 2    | —   | 2    |
| 4        | H1201    | Bottom member c/w spindle cap, L.H. ... ..                   | 1  | 1    | 1    | —   | 1    |
| 5        | H1202    | Bottom member c/w spindle cap, R.H. ... ..                   | 1  | 1    | 1    | —   | 1    |
| 6        | H1203    | Bottom member c/w spindle cap, L.H. ... ..                   | —  | —    | —    | 1   | —    |
| 7        | H1204    | Bottom member c/w spindle cap, R.H. ... ..                   | —  | —    | —    | 1   | —    |
| 8        | H1053    | Cap, spindle fixing ... ..                                   | 2  | 2    | 2    | 2   | 2    |
| 9        | S26-3    | Washer, spring ... ..  | 4  | 4    | 4    | 4   | 4    |
| 10       | H1070    | Bolt, spindle cap, $1\frac{7}{16}$ " U/H ... ..              | 4  | 4    | 4    | 4   | 4    |
| 11       | H1071    | Plug, drain ... ..   | 2  | 2    | 2    | 2   | 2    |
| 12       | H430     | Washer, drain plug ... ..                                    | 2  | 2    | 2    | 2   | 2    |
| 13       | H390     | Sleeve, cover tube dust excluder ... ..                      | 2  | 2    | 2    | 2   | 2    |
| 14       | H391     | Washer, cover tube dust excluder felt ... ..                 | 2  | 2    | 2    | 2   | 2    |
| 15       | H445     | Washer, inner, for H391 ... ..                               | 2  | 2    | 2    | 2   | 2    |
| 16       | H431     | Washer, outer for H391 ... ..                                | 2  | 2    | 2    | 2   | 2    |
| 17       | H992     | Horn grille (replaces Pilot Lamp) ... ..                     | 1  | 1    | 1    | —   | 1    |
| 18       | H993     | Screw, grille fixing, 0.540" U/H ... ..                      | 2  | 2    | 2    | —   | 2    |
| 19       | GS299    | Washer, serrated ... ..                                      | 2  | 2    | 2    | —   | 2    |
| 20       | F3799    | Nut, fixing screw ... ..                                     | 2  | 2    | 2    | —   | 2    |

## INDEX FIG. 16

| Illust. No. | Part No. | Page No. | Ref. No. | Illust. No. | Part No. | Page No. | Ref. No. |
|-------------|----------|----------|----------|-------------|----------|----------|----------|
| 1           | H380     | 53       | 18       | 27          | H444     | 58       | 9        |
| 2           | F1760    | 53       | 19       | 28          | H384     | 58       | 10       |
| 3           | H379     | 53       | 20       | 29          | H399     | 58       | 16       |
| 4           | H506     | 53       | 24       | 30          | H452     | 58       | 17       |
| 5           | H436     | 53       | 25       | 31          | H453     | 58       | 18       |
| 6           | H1229    | 53       | 26       | 32          | H454     | 58       | 19       |
| 7           | H405     | 53       | 27       | 33          | F879     | 58       | 20       |
| 8           | H941     | 53       | 28       | 34          | H394     | 58       | 21       |
| 9           | E2412    | 53       | 29       | 35          | H1096    | 58       | 22       |
| 10          | H963     | 55       | 3        | 36          | H397     | 58       | 23       |
| 11          | H964     | 55       | 4        | 37          | H1063    | 58       | 24       |
| 13          | H1203    | 57       | 6        | 38          | H1062    | 58       | 25       |
| 14          | H1204    | 57       | 7        | 39          | H1018    | 58       | 27       |
| 15          | H1071    | 57       | 11       | 40          | H439     | 58       | 28       |
| 16          | H430     | 57       | 12       | 42          | H536     | 58       | 30       |
| 17          | H1053    | 57       | 8        | 43          | H565     | 58       | 31       |
| 18          | H1070    | 57       | 10       | 44          | H408     | 58       | 32       |
| 19          | H390     | 57       | 13       | 45          | H409     | 58       | 33       |
| 20          | H391     | 57       | 14       | 46          | H413     | 58       | 34       |
| 21          | H445     | 57       | 15       | 47          | F1718    | 58       | 35       |
| 22          | H431     | 57       | 16       | 48          | SI-51    | 58       | 36       |
| 23          | H441     | 58       | 1        | 49          | H435     | 58       | 37       |
| 24          | H382     | 58       | 3        | 50          | H95      | 58       | 38       |
| 25          | H432     | 58       | 7        | 52          | F3098    | 108      | 18       |
| 26          | H443     | 58       | 8        | 53          | H962     | 55       | 5        |
|             |          |          |          | 54          | D340     | 55       | 6        |





# GROUP 12 – TELESCOPIC FRONT FORK

| REF. No. | PART No. | DESCRIPTION   | 6T | T100 | T110 | TR6 | T120 |
|----------|----------|---|----|------|------|-----|------|
| 1        | H441     | Bearing, bottom cover tube ... ..                       | 2  | 2    | 2    | 2   | 2    |
| 2        | H382A    | Stanchion ... ..  | 2  | 2    | 2    | —   | 2    |
| 3        | H382     | Stanchion ... ..  | —  | —    | —    | 2   | —    |
| 4        | H519A    | Plug, stanchion oil filler, $\frac{3}{16}$ " U/H ... .. | 2  | 2    | 2    | —   | 2    |
| 5        | H430     | Washer, stanchion oil filler ... ..                     | 2  | 2    | 2    | —   | 2    |
| 6        | H432A    | Nut, stanchion to top lug ... ..                        | 2  | 2    | 2    | —   | 2    |
| 7        | H432     | Nut, stanchion to top lug ... ..                        | —  | —    | —    | 2   | —    |
| 8        | H443     | Bearing, stanchion lower ... ..                         | 2  | 2    | 2    | 2   | 2    |
| 9        | H444     | Nut, stanchion hydraulic stop ... ..                    | 2  | 2    | 2    | 2   | 2    |
| 10       | H384     | Spring, main (RED) ... ..                               | 2  | 2    | 2    | 2   | 2    |
| 11       | H1095    | Spring, main (BLUE) sidecar ... ..                      | A  | A    | A    | A   | A    |
| 12       | H749     | Spring, main (PURPLE) extra heavy sidecar ... ..        | A  | A    | A    | A   | A    |
| 13       | H1106    | Pressure tube assembly ... ..                           | 2  | 2    | 2    | 2   | 2    |
| 14       | H1107    | Pressure tube assembly ... ..                           | —  | —    | —    | 2   | —    |
| 15       | H399A    | Rod, oil pressure ... ..                                | 2  | 2    | 2    | 2   | 2    |
| 16       | H399     | Rod, oil pressure ... ..                                | —  | —    | —    | 2   | —    |
| 17       | H452     | Restrictor, oil ... ..                                  | 2  | 2    | 2    | 2   | 2    |
| 18       | H453     | Cup, oil restrictor rod ... ..                          | 2  | 2    | 2    | 2   | 2    |
| 19       | H454     | Pin, oil restrictor rod cup ... ..                      | 2  | 2    | 2    | 2   | 2    |
| 20       | F879     | Nut, oil restrictor rod ... ..                          | 2  | 2    | 2    | 2   | 2    |
| 21       | H394     | Tube pressure ... ..                                    | 2  | 2    | 2    | 2   | 2    |
| 22       | H1096    | Body, pressure tube valve ... ..                        | 2  | 2    | 2    | 2   | 2    |
| 23       | H397     | Sleeve, pressure tube support ... ..                    | 2  | 2    | 2    | 2   | 2    |
| 24       | H1063    | Bolt, valve body to lug, $\frac{3}{16}$ " U/H ... ..    | 2  | 2    | 2    | 2   | 2    |
| 25       | H1062    | Washer, valve body bolt (aluminium) ... ..              | 2  | 2    | 2    | 2   | 2    |

## STEERING CUPS, CONES AND BALLS

|    |       |   |    |    |    |    |    |
|----|-------|---|----|----|----|----|----|
| 26 | H111  | Cup, frame lug, top and bottom ... ..             | 2  | 2  | 2  | 2  | 2  |
| 27 | H1018 | Cone, head lug, top, c/w dust cover ... ..        | 1  | 1  | 1  | 1  | 1  |
| 28 | H439  | Cone, crown and stem, bottom ... ..               | 1  | 1  | 1  | 1  | 1  |
| 29 | S70-3 | Ball, top and bottom race, $\frac{1}{4}$ " ... .. | 40 | 40 | 40 | 40 | 40 |

## STEERING DAMPER

|    |       |   |   |   |   |   |   |
|----|-------|---|---|---|---|---|---|
| 30 | H536  | Knob, c/w rod ... ..                                    | 1 | 1 | 1 | 1 | 1 |
| 31 | H565  | Washer, damper knob abutment ... ..                     | 1 | 1 | 1 | 1 | 1 |
| 32 | H408  | Sleeve, damper adjusting ... ..                         | 1 | 1 | 1 | 1 | 1 |
| 33 | H409  | Pin, sleeve securing ... ..                             | 1 | 1 | 1 | 1 | 1 |
| 34 | H413  | Plate, damper anchor ... ..                             | 1 | 1 | 1 | 1 | 1 |
| 35 | F1718 | Bolt, damper anchor plate, $1\frac{3}{16}$ " U/H ... .. | 1 | 1 | 1 | 1 | 1 |
| 36 | SI-51 | Nut, damper anchor plate ... ..                         | 1 | 1 | 1 | 1 | 1 |
| 37 | H435  | Disc, damper anchor plate friction ... ..               | 1 | 1 | 1 | 1 | 1 |
| 38 | H95   | Spring, damper anchor plate ... ..                      | 1 | 1 | 1 | 1 | 1 |

# FRONT WHEEL – GROUP 13

| REF. No.                    | PART No. | DESCRIPTION                   | 6T             | T100 | T110 | TR6 | T120 |  |
|-----------------------------|----------|-------------------------------|----------------|------|------|-----|------|--|
| <b>FRONT WHEEL—GROUP 13</b> |          |                               |                |      |      |     |      |  |
| 1                           | WI333    | Wheel, front, complete        | 1              | —    | —    | —   | —    |  |
| 2                           | WI323    | Wheel, front, complete        | —              | 1    | 1    | 1   | 1    |  |
| 3                           | WI229    | Rim, spokes and hub, assembly | 1              | —    | —    | —   | —    |  |
| 4                           | WI324    | Rim, spokes and hub, assembly | —              | 1    | 1    | 1   | 1    |  |
| 5                           | WI230    | Rim, front wheel, WM2-19      | 1              | 1    | 1    | 1   | 1    |  |
| 6                           | *WI236   | Spoke, straight, 8/10G × 6"   | 40             | —    | —    | —   | —    |  |
| 7                           | *WI328   | Spoke, straight, 8/10G × 5½"  | —              | 40   | 40   | 40  | 40   |  |
| 8                           | S79-2    | Nipple, spoke                 | 40             | 40   | 40   | 40  | 40   |  |
| 9                           | WI231    | Hub and brake drum            | 1              | —    | —    | —   | —    |  |
| 10                          | WI325    | Hub and brake drum            | —              | 1    | 1    | 1   | 1    |  |
| 11                          | WI239    | Spindle, front wheel          | 1              | 1    | 1    | 1   | 1    |  |
| 12                          | W653     | Bearing, front wheel          | 2              | 2    | 2    | 2   | 2    |  |
| 13                          | WI237    | Dust cover, L.H. bearing      | 1              | 1    | 1    | 1   | 1    |  |
| 14                          | T280     | Circlip, L.H. bearing         | 1              | 1    | 1    | 1   | 1    |  |
| 15                          | WI238    | Backing ring, R.H. bearing    | 1              | 1    | 1    | 1   | 1    |  |
| 16                          | W582     | Retaining ring, R.H. bearing  | 1              | 1    | 1    | 1   | 1    |  |
| 17                          | WI334    | Cover plate, L.H. hub         | 1              | —    | —    | —   | —    |  |
| 18                          | WI332    | Cover plate, L.H. hub         | —              | 1    | 1    | 1   | 1    |  |
| 19                          | WI197    | Weight, wheel balance, ½ oz.  | } As required. |      |      |     |      |  |
| 20                          | WI198    | Weight, wheel balance, 1 oz.  |                |      |      |     |      |  |

\*Supplied complete with Nipple S79-2.

## FRONT BRAKE

|    |       |                                  |    |    |    |    |    |
|----|-------|----------------------------------|----|----|----|----|----|
| 21 | WI301 | Plate, front brake anchor        | 1  | —  | —  | —  | —  |
| 22 | WI330 | Plate, front brake anchor        | —  | 1  | 1  | 1  | 1  |
| 23 | WI302 | Pin, shoe fulcrum                | 1  | 1  | 1  | 1  | 1  |
| 24 | S25-2 | Washer, fulcrum pin nut          | 1  | 1  | 1  | 1  | 1  |
| 25 | E1435 | Domed nut, fulcrum pin           | 1  | 1  | 1  | 1  | 1  |
| 26 | W93   | Shoe, brake c/w lining           | 2  | —  | —  | —  | —  |
| 27 | WI337 | Shoe, brake c/w lining, leading  | —  | 1  | 1  | 1  | 1  |
| 28 | WI338 | Shoe, brake c/w lining, trailing | —  | 1  | 1  | 1  | 1  |
| 29 | NW243 | Lining, brake shoe               | 2  | —  | —  | —  | —  |
| 30 | WI336 | Lining, brake shoe               | —  | 2  | 2  | 2  | 2  |
| 31 | WI29  | Rivet, brake shoe lining         | 16 | 16 | 16 | 16 | 16 |
| 32 | WI35  | Spring, brake shoe return        | 2  | 2  | 2  | 2  | 2  |
| 33 | WI243 | Cam, brake operating             | 1  | 1  | 1  | 1  | 1  |
| 34 | WI298 | Lever, brake cam                 | 1  | —  | —  | —  | —  |
| 35 | WI331 | Lever, brake cam                 | —  | 1  | 1  | 1  | 1  |
| 36 | SI-52 | Nut, brake cam lever             | 1  | 1  | 1  | 1  | 1  |
| 37 | S25-6 | Washer, brake cam lever          | 1  | 1  | 1  | 1  | 1  |
| 38 | W592  | Spring, brake cam lever return   | 1  | 1  | 1  | 1  | 1  |
| 39 | WF32  | Pin, brake cam lever pivot       | 1  | 1  | 1  | 1  | 1  |
| 40 |       | ⅜" × ½" Split pin, pivot pin     | 1  | 1  | 1  | 1  | 1  |
| 41 | WI246 | Nut, anchor plate to spindle     | 1  | 1  | 1  | 1  | 1  |

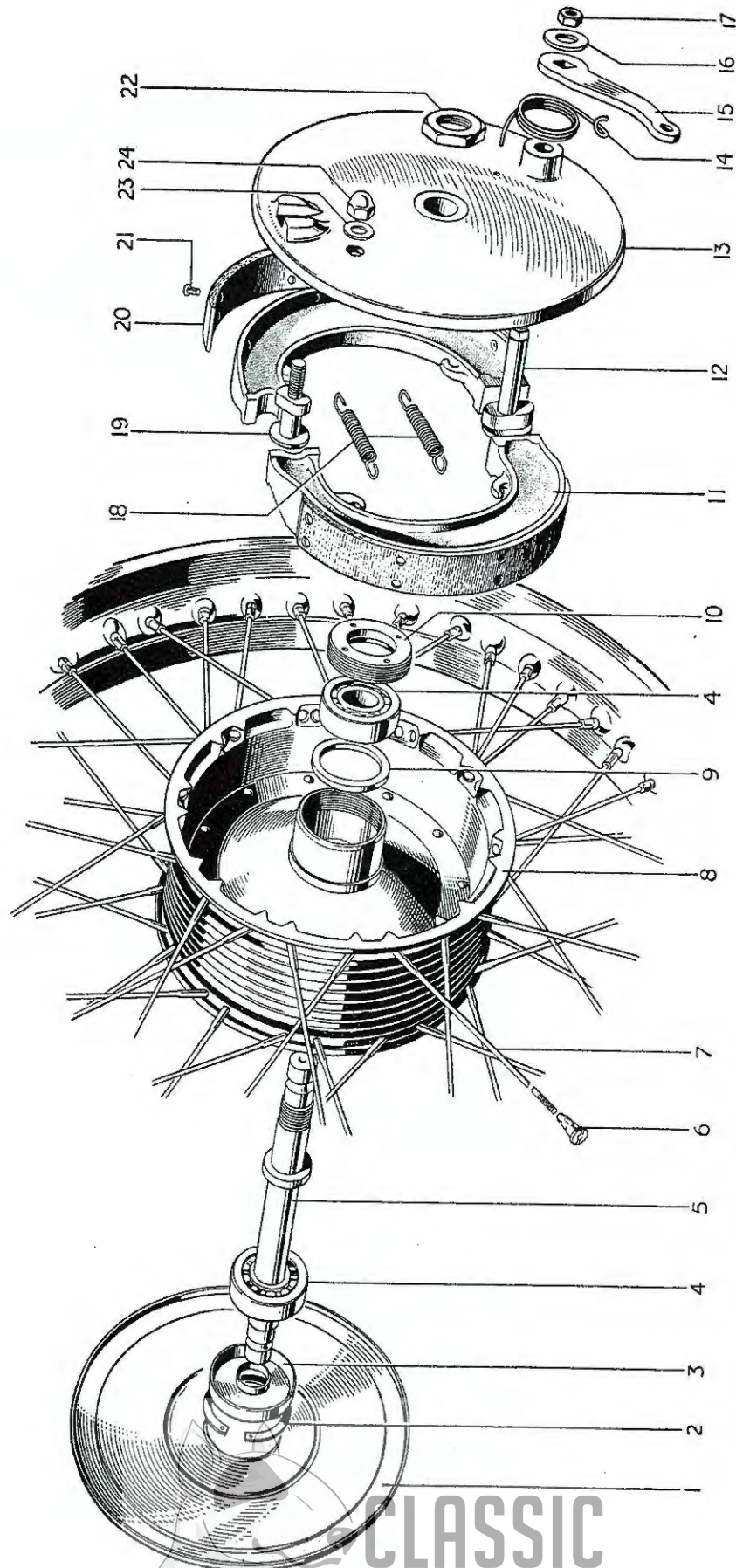


FIG. 17. FRONT WHEEL for THUNDERBIRD (6T)

## INDEX FIG. 17

| <i>Illust. No.</i> | <i>Part No.</i> | <i>Page No.</i> | <i>Ref. No.</i> |
|--------------------|-----------------|-----------------|-----------------|
| 1                  | W1334           | 59              | 17              |
| 2                  | T280            | 59              | 14              |
| 3                  | W1237           | 59              | 13              |
| 4                  | W653            | 59              | 12              |
| 5                  | W1239           | 59              | 11              |
| 6                  | S79-2           | 59              | 8               |
| 7                  | W1236           | 59              | 6               |
| 8                  | W1231           | 59              | 9               |
| 9                  | W1238           | 59              | 15              |
| 10                 | W582            | 59              | 16              |
| 11                 | W93             | 59              | 26              |
| 12                 | W1243           | 59              | 33              |
| 13                 | W1301           | 59              | 21              |
| 14                 | W592            | 59              | 38              |
| 15                 | W1298           | 59              | 34              |
| 16                 | S25-6           | 59              | 37              |
| 17                 | S1-52           | 59              | 36              |
| 18                 | W135            | 59              | 32              |
| 19                 | W1302           | 59              | 23              |
| 20                 | NW243           | 59              | 29              |
| 21                 | W129            | 59              | 31              |
| 22                 | W1246           | 59              | 41              |
| 23                 | S25-2           | 59              | 24              |
| 24                 | E1435           | 59              | 25              |



GROUP 13 - FRONT WHEEL

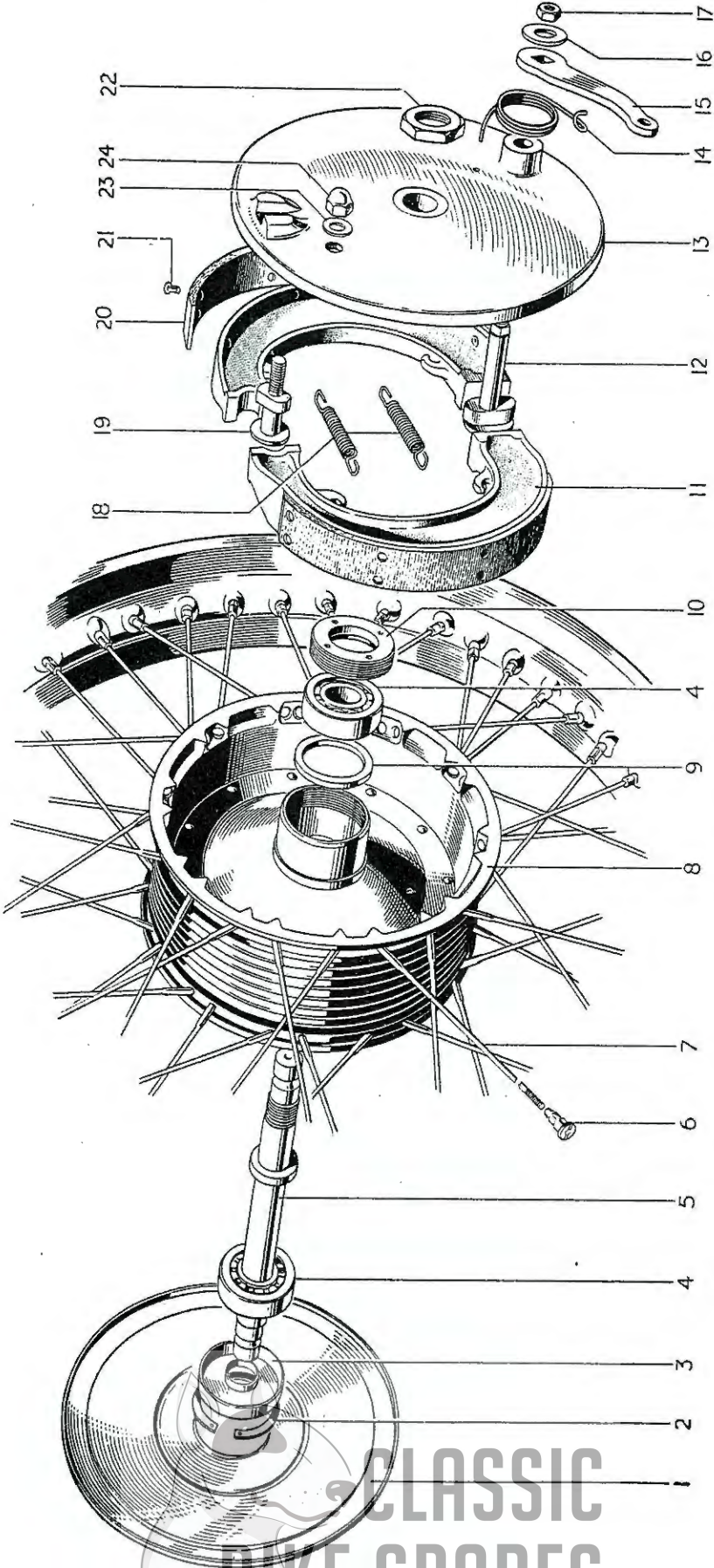


FIG. 18. FRONT WHEEL—TIGER 100, TIGER 110, TROPHY AND BONNEVILLE 120

INDEX FIG. 18

| <i>Illust. No.</i> | <i>Part No.</i> | <i>Page No.</i> | <i>Ref. No.</i> |
|--------------------|-----------------|-----------------|-----------------|
| 1                  | W1332           | 59              | 18              |
| 2                  | T280            | 59              | 14              |
| 3                  | W1237           | 59              | 13              |
| 4                  | W653            | 59              | 12              |
| 5                  | W1239           | 59              | 11              |
| 6                  | S79-2           | 59              | 8               |
| 7                  | W1328           | 59              | 7               |
| 8                  | W1325           | 59              | 10              |
| 9                  | W1238           | 59              | 15              |
| 10                 | W582            | 59              | 16              |
| 11                 | W1337           | 59              | 27              |
|                    | W1338           | 59              | 28              |
| 12                 | W1243           | 59              | 33              |
| 13                 | W1330           | 59              | 22              |
| 14                 | W592            | 59              | 38              |
| 15                 | W1331           | 59              | 35              |
| 16                 | S25-6           | 59              | 37              |
| 17                 | S1-52           | 59              | 36              |
| 18                 | W135            | 59              | 32              |
| 19                 | W1302           | 59              | 23              |
| 20                 | W1336           | 59              | 29              |
| 21                 | W129            | 59              | 31              |
| 22                 | W1246           | 59              | 41              |
| 23                 | S25-2           | 59              | 24              |
| 24                 | E1435           | 59              | 25              |



# GROUP 14 — REAR WHEEL

| REF. No.                   | PART No. | DESCRIPTION  | 6T | T100 | T110 | TR6 | T120 |
|----------------------------|----------|--|----|------|------|-----|------|
| <b>REAR WHEEL—GROUP 14</b> |          |  |    |      |      |     |      |
| 1                          | W1305    | Wheel, rear, complete ... ..                                       | 1  | 1    | 1    | —   | 1    |
| 2                          | W1307    | Wheel, rear, complete ... ..                                       | —  | —    | —    | 1   | —    |
| 3                          | W1306    | Rim, spokes and hub assembly ... ..                                | 1  | 1    | 1    | —   | 1    |
| 4                          | W1308    | Rim, spokes and hub assembly ... ..                                | —  | —    | —    | 1   | —    |
| 5                          | W79A     | Rim, rear wheel WM.2-19 ... ..                                     | 1  | 1    | 1    | —   | 1    |
| 6                          | W1007    | Rim, rear wheel WM.3-18 ... ..                                     | —  | —    | —    | 1   | —    |
| 7                          | *W1104   | Spoke, L.H. 8/10G × 8" 90° ... ..                                  | 20 | 20   | 20   | —   | 20   |
| 8                          | *W1106   | Spoke, R.H. 8/10G × 8 $\frac{3}{8}$ " 90° ... ..                   | 20 | 20   | 20   | —   | 20   |
| 9                          | *W1107   | Spoke, L.H. 8/10G × 7 $\frac{3}{8}$ " 90° ... ..                   | —  | —    | —    | 20  | —    |
| 10                         | *W1108   | Spoke, R.H. 8/10G × 7 $\frac{3}{8}$ " 90° ... ..                   | —  | —    | —    | 20  | —    |
| 11                         | S79-2    | Nipple, spoke ... ..   | 40 | 40   | 40   | 40  | 40   |
| 12                         | W1158    | Hub ... ..   | 1  | 1    | 1    | 1   | 1    |
| 13                         | W951     | Sprocket and drum (46T) ... ..                                     | 1  | 1    | 1    | 1   | 1    |
| 14                         | W62      | Bolt, sprocket and drum to hub, $\frac{11}{16}$ " U/H ... ..       | 8  | 8    | 8    | 8   | 8    |
| 15                         | SI-51    | Nut, sprocket and drum to hub ... ..                               | 8  | 8    | 8    | 8   | 8    |
| 16                         | W63      | Lockplate, sprocket and drum nut ... ..                            | 8  | 8    | 8    | 8   | 8    |
| 17                         | W1025    | Spindle, rear wheel ... ..   | 1  | 1    | 1    | 1   | 1    |
| 18                         | F1747    | Nut, rear wheel spindle ... ..                                     | 2  | 2    | 2    | 2   | 2    |
| 19                         | W653     | Bearing, rear wheel ball ... ..                                    | 2  | 2    | 2    | 2   | 2    |
| 20                         | W1022    | Ring, bearing backing, L.H. ... ..                                 | 1  | 1    | 1    | 1   | 1    |
| 21                         | W1023    | Distance, tube, bearing ... ..                                     | 1  | 1    | 1    | 1   | 1    |
| 22                         | W1021    | Retaining ring, bearing ... ..                                     | 1  | 1    | 1    | 1   | 1    |
| 23                         | W1079    | Locking screw, bearing retaining ring, $\frac{5}{16}$ " U/H ... .. | 1  | 1    | 1    | 1   | 1    |
| 24                         | W1024    | Distance piece, L.H. bearing ... ..                                | 1  | 1    | 1    | 1   | 1    |
| 25                         | W583     | Cap, bearing dust, R.H. ... ..                                     | 1  | 1    | 1    | 1   | 1    |
| 26                         | W1026    | Nut, bearing retaining, R.H. ... ..                                | 1  | 1    | 1    | 1   | 1    |
| 27                         | W1134    | Chain adjuster, rear wheel ... ..                                  | 2  | 2    | 2    | 2   | 2    |
| 28                         | W1015    | End plate, adjuster ... ..   | 2  | 2    | 2    | 2   | 2    |
| 29                         | W1058    | Nut, adjuster end plate ... ..                                     | 2  | 2    | 2    | 2   | 2    |
| 30                         | D106     | Bolt, tyre security ... ..   | 1  | 1    | 1    | —   | 1    |
| 31                         | WM3      | Bolt, tyre security ... ..   | —  | —    | —    | 2   | —    |

\*Supplied complete with nipple.

## REAR WHEEL BRAKE

|    |        |  |    |    |    |    |    |
|----|--------|--|----|----|----|----|----|
| 32 | W1112  | Plate, rear brake anchor ... ..            | 1  | 1  | 1  | 1  | 1  |
| 33 | F1747  | Locknut, rear brake anchor plate ... ..    | 1  | 1  | 1  | 1  | 1  |
| 34 | W93    | Shoe assembly, rear with lining ... ..     | 2  | 2  | 2  | 2  | 2  |
| 35 | NW243  | Lining, rear brake shoe ... ..             | 2  | 2  | 2  | 2  | 2  |
| 36 | W129   | Rivet, brake shoe lining ... ..            | 16 | 16 | 16 | 16 | 16 |
| 37 | W135   | Spring, brake shoe return ... ..           | 2  | 2  | 2  | 2  | 2  |
| 38 | W1083  | Cam assembly rear brake ... ..             | 1  | 1  | 1  | 1  | 1  |
| 39 | W1085  | Lever, rear brake cam ... ..               | 1  | 1  | 1  | 1  | 1  |
| 40 | SI-52  | Nut, rear brake cam lever ... ..           | 1  | 1  | 1  | 1  | 1  |
| 41 | W1090  | Spring, rear brake cam lever return ... .. | 1  | 1  | 1  | 1  | 1  |
| 42 | DS47   | Nut, torque stay securing ... ..           | 1  | 1  | 1  | 1  | 1  |
| 43 | PCW73A | Washer, torque stay nut ... ..             | 1  | 1  | 1  | 1  | 1  |

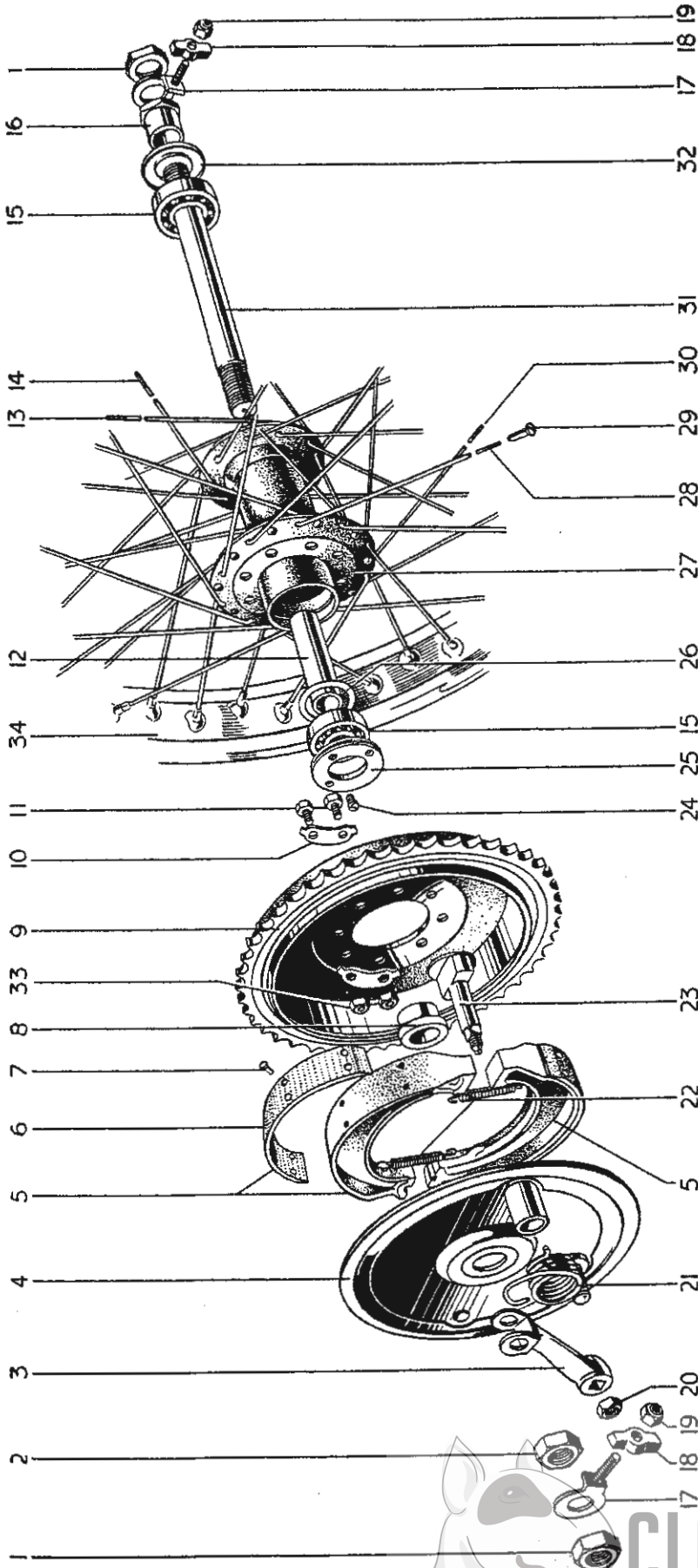


FIG. 19. REAR WHEEL

INDEX FIG. 19

| Illust. No. | Part No. | Page No. | Ref. No. | Illust. No. | Part No. | Page No. | Ref. No. | Illust. No. | Part No. | Page No. | Ref. No. |
|-------------|----------|----------|----------|-------------|----------|----------|----------|-------------|----------|----------|----------|
| 1           | F1747    | 64       | 18       | 13          | W1108    | 64       | 10       | 25          | W1021    | 64       | 22       |
| 2           | F1747    | 64       | 33       | 14          | W1106    | 64       | 8        | 26          | W1022    | 64       | 20       |
| 3           | W1085    | 64       | 39       | 15          | W1108    | 64       | 10       | 27          | W1158    | 64       | 12       |
| 4           | W1112    | 64       | 32       | 16          | W653     | 64       | 19       | 28          | W1104    | 64       | 7        |
| 5           | W93      | 64       | 34       | 17          | W1026    | 64       | 26       | 29          | W1107    | 64       | 9        |
| 6           | NW243    | 64       | 35       | 18          | W1134    | 64       | 27       | 30          | S79-2    | 64       | 11       |
| 7           | W129     | 64       | 36       | 19          | W1015    | 64       | 28       | 31          | W1104    | 64       | 7        |
| 8           | W1024    | 64       | 24       | 20          | W1058    | 64       | 29       | 32          | W1107    | 64       | 9        |
| 9           | W951     | 64       | 13       | 21          | SI-52    | 64       | 40       | 33          | W1025    | 64       | 17       |
| 10          | W63      | 64       | 16       | 22          | W1090    | 64       | 41       | 34          | W583     | 64       | 25       |
| 11          | W62      | 64       | 14       | 23          | W135     | 64       | 37       |             | SI-51    | 64       | 15       |
| 12          | W1023    | 64       | 21       | 24          | W1083    | 64       | 38       |             | W79A     | 64       | 5        |
| 13          | W1106    | 64       | 8        |             | W1079    | 64       | 23       |             | W1007    | 64       | 6        |



# GROUP 15 - REAR WHEEL (QUICKLY DETACHABLE)

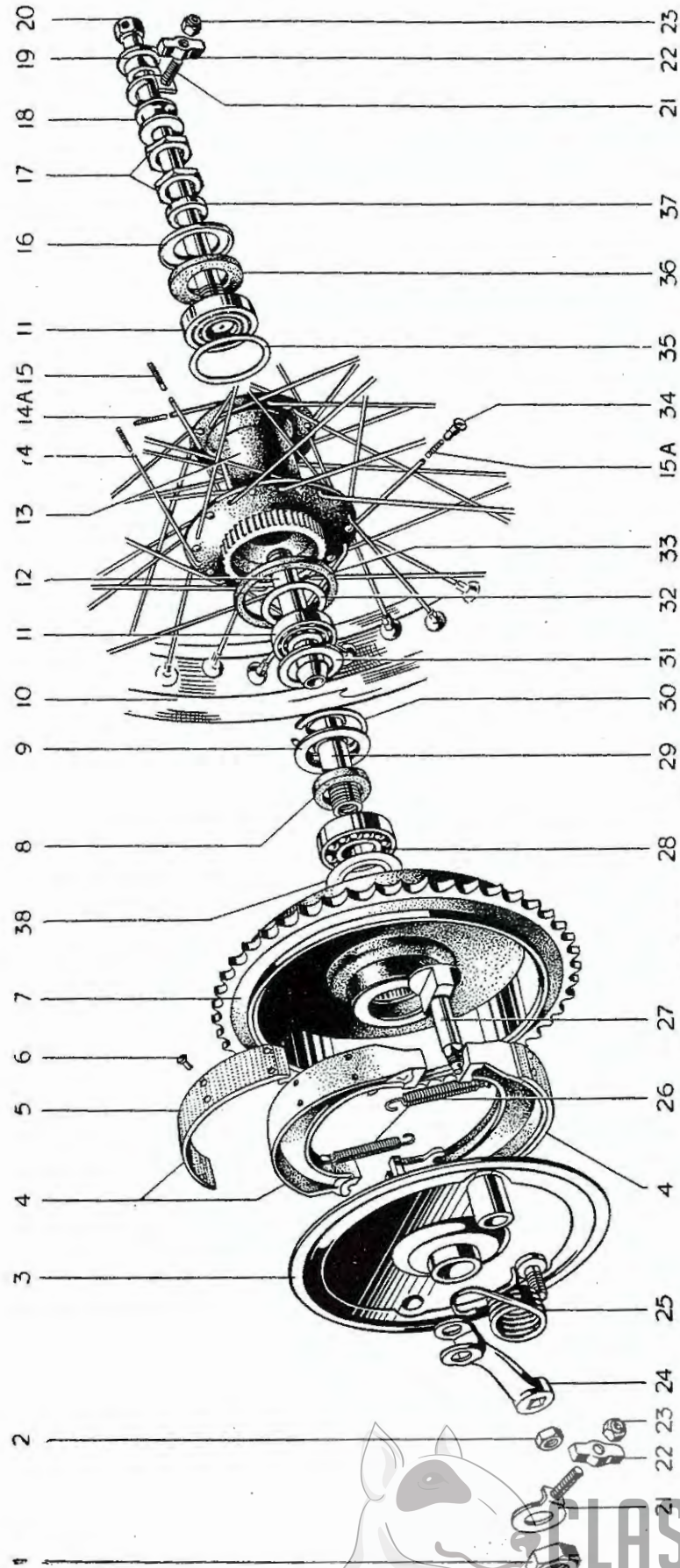
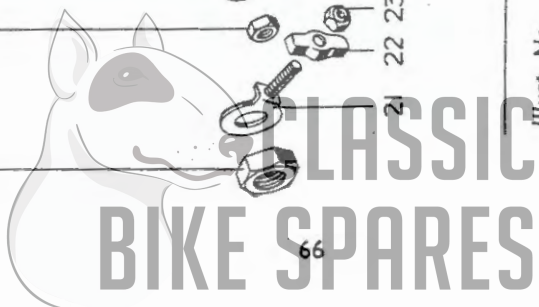


FIG. 20. REAR WHEEL (QUICKLY DETACHABLE)

## INDEX FIG. 20

| Illust. No. | Part No. | Page No. | Ref. No. | Illust. No. | Part No. | Page No. | Ref. No. | Illust. No. | Part No. | Page No. | Ref. No. |
|-------------|----------|----------|----------|-------------|----------|----------|----------|-------------|----------|----------|----------|
| 1           | W1052    | 67       | 32       | 14A         | W1107    | 67       | 9        | 24          | W1085    | 67       | 42       |
| 2           | SI-52    | 67       | 41       | 15          | W1106    | 67       | 8        | 25          | W1090    | 67       | 40       |
| 3           | W1121    | 67       | 38       | 15A         | W1108    | 67       | 10       | 26          | W1135    | 67       | 46       |
| 4           | W93      | 67       | 43       | 16          | W1106    | 67       | 8        | 27          | W1083    | 67       | 39       |
| 5           | NW243    | 67       | 44       | 17          | W1108    | 67       | 10       | 28          | W1041    | 67       | 24       |
| 6           | W129     | 67       | 45       | 18          | W1104    | 67       | 7        | 29          | W1045    | 67       | 28       |
| 7           | W1040    | 67       | 22       | 19          | W1107    | 67       | 9        | 30          | W1044    | 67       | 27       |
| 8           | W1042    | 67       | 25       | 20          | W1038    | 67       | 18       | 31          | W1035    | 67       | 15       |
| 9           | W1043    | 67       | 26       | 21          | E398     | 67       | 20       | 32          | W1033    | 67       | 13       |
| 10          | W79A     | 67       | 5        | 22          | W1053    | 67       | 33       | 33          | W1091    | 67       | 21       |
| 11          | W1007    | 67       | 6        | 23          | W1170    | 67       | 34       | 34          | S79-2    | 67       | 11       |
| 12          | W1034    | 67       | 14       | 24          | W1055    | 67       | 35       | 35          | W1033    | 67       | 13       |
| 13          | W1039    | 67       | 19       | 25          | W1135    | 67       | 29       | 36          | W1036    | 67       | 16       |
| 14          | W1100    | 67       | 12       | 26          | W1015    | 67       | 30       | 37          | W1037    | 67       | 17       |
|             | W1104    | 67       | 7        | 27          | W1058    | 67       | 31       | 38          | W1143    | 67       | 23       |



# REAR WHEEL (QUICKLY DETACHABLE) — GROUP 15

| REF. No.  | PART No. | DESCRIPTION   | 6T | T100 | T110 | TR6 | T120 |
|---|----------|---|----|------|------|-----|------|
| <b>REAR WHEEL (QUICKLY DETACHABLE)—GROUP 15</b> |          |   |    |      |      |     |      |
| 1   | W1309    | Wheel, Q.D. rear complete ... ..                                | 1  | 1    | 1    | —   | 1    |
| 2   | W1310    | Wheel, Q.D. rear complete ... ..                                | —  | —    | —    | 1   | —    |
| 3   | W1098    | Wheel, less internals and brake fittings ... ..                 | 1  | 1    | 1    | —   | 1    |
| 4   | W1099    | Wheel, less internals and brake fittings ... ..                 | —  | —    | —    | 1   | —    |
| 5   | W79A     | Rim, WM2-19 ... ..  | 1  | 1    | 1    | —   | 1    |
| 6   | W1007    | Rim, WM3-18 ... ..  | —  | —    | —    | 1   | —    |
| 7   | *W1104   | Spoke, L.H. 8/10G × 8" 90° ... ..                               | 20 | 20   | 20   | —   | 20   |
| 8   | *W1106   | Spoke, R.H. 8/10G × 8 <sup>3</sup> / <sub>8</sub> " 90° ... ..  | 20 | 20   | 20   | —   | 20   |
| 9   | *W1107   | Spoke, L.H. 8/10G × 7 <sup>8</sup> / <sub>16</sub> " 90° ... .. | —  | —    | —    | 20  | —    |
| 10  | *W1108   | Spoke, R.H. 8/10G × 7 <sup>3</sup> / <sub>8</sub> " 90° ... ..  | —  | —    | —    | 20  | —    |
| 11  | S79-2    | Nipple, spoke ... ..  | 40 | 40   | 40   | 40  | 40   |
| 12  | W1100    | Hub ... ..  | 1  | 1    | 1    | 1   | 1    |
| 13  | W1033    | Backing ring, bearing ... ..                                    | 2  | 2    | 2    | 2   | 2    |
| 14  | W1034    | Bearing, taper roller ... ..                                    | 2  | 2    | 2    | 2   | 2    |
| 15  | W1035    | Dust cap, L.H. bearing ... ..                                   | 1  | 1    | 1    | 1   | 1    |
| 16  | W1036    | Felt washer, R.H. bearing ... ..                                | 1  | 1    | 1    | 1   | 1    |
| 17  | W1037    | Distance piece, R.H. bearing ... ..                             | 1  | 1    | 1    | 1   | 1    |
| 18  | W1038    | Dust cap, R.H. bearing ... ..                                   | 1  | 1    | 1    | 1   | 1    |
| 19  | W1039    | Sleeve, bearing and spindle ... ..                              | 1  | 1    | 1    | 1   | 1    |
| 20  | E398     | Locknut, bearing and spindle sleeve ... ..                      | 2  | 2    | 2    | 2   | 2    |
| 21  | W1091    | Sealing ring, driving flange and brake drum ... ..              | 1  | 1    | 1    | 1   | 1    |
| 22  | W1040    | Brake drum and sprocket 46T ... ..                              | 1  | 1    | 1    | 1   | 1    |
| 23  | W1143    | Grease retainer, brake drum bearing ... ..                      | 1  | 1    | 1    | 1   | 1    |
| 24  | W1041    | Bearing, brake drum ... ..                                      | 1  | 1    | 1    | 1   | 1    |
| 25  | W1042    | Felt washer, brake drum bearing ... ..                          | 1  | 1    | 1    | 1   | 1    |
| 26  | W1043    | Retainer, brake drum bearing ... ..                             | 1  | 1    | 1    | 1   | 1    |
| 27  | W1044    | Circlip, brake drum bearing retainer ... ..                     | 1  | 1    | 1    | 1   | 1    |
| 28  | W1045    | Sleeve, brake drum bearing ... ..                               | 1  | 1    | 1    | 1   | 1    |
| 29  | W1135    | Adjuster, rear wheel chain ... ..                               | 2  | 2    | 2    | 2   | 2    |
| 30  | W1015    | End plate, rear wheel adjuster ... ..                           | 2  | 2    | 2    | 2   | 2    |
| 31  | W1058    | Nut, rear wheel adjuster ... ..                                 | 2  | 2    | 2    | 2   | 2    |
| 32  | W1052    | Nut, bearing sleeve, L.H. ... ..                                | 1  | 1    | 1    | 1   | 1    |
| 33  | W1053    | Distance collar, spindle ... ..                                 | 1  | 1    | 1    | 1   | 1    |
| 34  | W1170    | Collar, spindle ... ..  | 1  | 1    | 1    | 1   | 1    |
| 35  | W1055    | Spindle ... ..  | 1  | 1    | 1    | —   | 1    |
| 36  | WM2      | Bolt, tyre security ... ..                                      | —  | —    | —    | 2   | —    |
| 37  | WM3      | Bolt, tyre security ... ..                                      | —  | —    | —    | 2   | —    |

## REAR WHEEL BRAKE

|    |        |                                    |    |    |    |    |    |
|----|--------|------------------------------------|----|----|----|----|----|
| 38 | W1121  | Plate, brake anchor ... ..         | 1  | 1  | 1  | 1  | 1  |
| 39 | W1083  | Cam, brake ... ..                  | 1  | 1  | 1  | 1  | 1  |
| 40 | W1090  | Return spring, brake lever ... ..  | 1  | 1  | 1  | 1  | 1  |
| 41 | SI-52  | Nut, brake lever ... ..            | 1  | 1  | 1  | 1  | 1  |
| 42 | W1085  | Lever, brake ... ..                | 1  | 1  | 1  | 1  | 1  |
| 43 | W93    | Shoe, rear brake c/w lining ... .. | 2  | 2  | 2  | 2  | 2  |
| 44 | NW243  | Lining, rear brake shoe ... ..     | 2  | 2  | 2  | 2  | 2  |
| 45 | W129   | Rivet, rear brake shoe ... ..      | 16 | 16 | 16 | 16 | 16 |
| 46 | W135   | Spring, rear brake shoe ... ..     | 2  | 2  | 2  | 2  | 2  |
| 47 | DS47   | Nut, torque stay securing ... ..   | 1  | 1  | 1  | 1  | 1  |
| 48 | PCW73A | Washer, torque stay nut ... ..     | 1  | 1  | 1  | 1  | 1  |

\*Supplied complete with nipple.





# MUDGUARD - GROUP 16

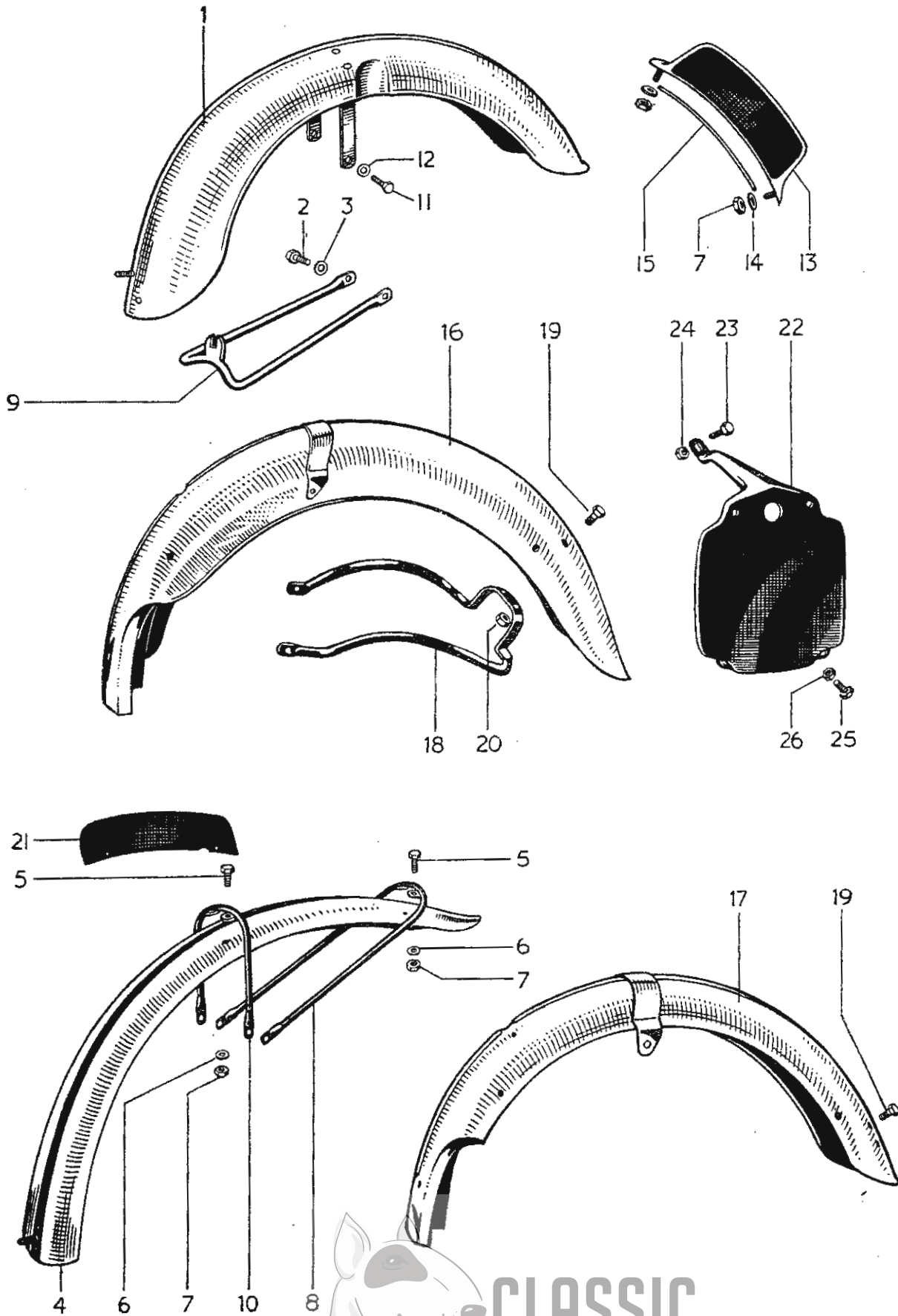


FIG. 21. FRONT AND REAR MUDGUARDS

**GROUP 16 – MUDGUARD**  
**GROUP 17 – NUMBER PLATE**

| REF. No.              | PART No. | DESCRIPTION   | 6T | T100 | T110 | TR6 | T120 |
|-----------------------|----------|---|----|------|------|-----|------|
| <b>LICENCE HOLDER</b> |          |   |    |      |      |     |      |
| 1                     | D261     | Licence holder, etc. ... ..                                       | 1  | 1    | 1    | 1   | 1    |
| 2                     | DS57     | Bolt, licence holder securing, $\frac{7}{16}$ " U/H ... ..        | 1  | 1    | 1    | —   | 1    |
| 3                     | S25-1    | Washer, licence holder securing bolt ... ..                       | 1  | 1    | 1    | —   | 1    |
| 4                     | F879     | Nut, licence holder securing bolt ... ..                          | 1  | 1    | 1    | —   | 1    |
| <b>REAR MUDGUARD</b>  |          |   |    |      |      |     |      |
| 5                     | F4394    | Mudguard assembly, complete ... ..                                | 1  | 1    | 1    | —   | 1    |
| 6                     | F3685    | Mudguard assembly, complete ... ..                                | —  | —    | —    | 1   | —    |
| 7                     | F3599    | Bracket, mudguard to rear engine plates ... ..                    | 1  | 1    | 1    | 1   | 1    |
| 8                     | F2335    | Bolt, bracket to rear engine plates, $\frac{11}{16}$ " U/H ... .. | 2  | 2    | 2    | 2   | 2    |
| 9                     | S1-51    | Nut, mudguard bracket bolt ... ..                                 | 2  | 2    | 2    | 2   | 2    |
| 10                    | S26-3    | Washer, mudguard bracket bolt ... ..                              | 2  | 2    | 2    | 2   | 2    |
| 11                    | DS57     | Bolt, mudguard to bracket, $\frac{7}{16}$ " U/H ... ..            | 2  | 2    | 2    | 2   | 2    |
| 12                    | F879     | Nut, mudguard to bracket bolt ... ..                              | 2  | 2    | 2    | 2   | 2    |
| 13                    | S26-2    | Washer, mudguard to bracket bolt ... ..                           | 2  | 2    | 2    | 2   | 2    |
| 14                    | F3632    | Bolt, mudguard to frame, $1\frac{9}{16}$ " U/H ... ..             | 2  | 2    | 2    | 2   | 2    |
| 15                    | S1-51    | Nut, mudguard to frame bolt ... ..                                | 2  | 2    | 2    | 2   | 2    |
| 16                    | S26-3    | Washer, mudguard to frame bolt ... ..                             | 2  | 2    | 2    | 2   | 2    |
| 17                    | F3896    | Lifting handle, rear ... ..                                       | 1  | 1    | 1    | 1   | 1    |
| 18                    | DS57     | Bolt, lifting handle to mudguard, $\frac{7}{16}$ " U/H ... ..     | 2  | 2    | 2    | 2   | 2    |
| 19                    | F879     | Nut, lifting handle bolt ... ..                                   | 2  | 2    | 2    | 2   | 2    |
| 20                    | S26-2    | Washer, lifting handle bolt ... ..                                | 2  | 2    | 2    | 2   | 2    |
| 21                    | D324     | Mudflap, rubber ... ..  | A  | A    | A    | A   | A    |

**NUMBER PLATE—GROUP 17**

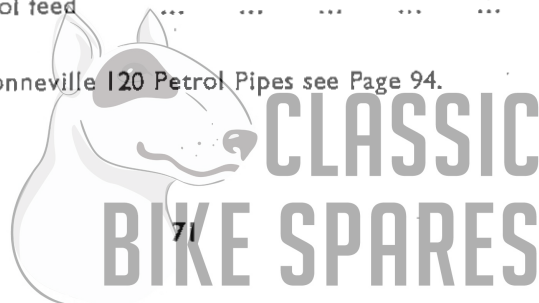
|                           |       |  |   |   |   |   |   |
|---------------------------|-------|--|---|---|---|---|---|
| <b>FRONT NUMBER PLATE</b> |       |  |   |   |   |   |   |
| 22                        | F2698 | Plate assembly, number ... ..                              | 1 | 1 | 1 | — | 1 |
| 23                        | F2996 | Plate, number ... ..                                       | — | — | — | 1 | — |
| 24                        | H741  | Clip, plate to mudguard c/w nut and bolt ... ..            | — | — | — | 2 | — |
| 25                        | H687  | Screw, plate to clip, $\frac{3}{8}$ " U/H ... ..           | — | — | — | 2 | — |
| 26                        | F879  | Nut, plate stud ... ..                                     | 2 | 2 | 2 | — | 2 |
| 27                        | H745  | Nut, plate clip screw ... ..                               | — | — | — | 2 | — |
| 28                        | S26-2 | Washer, stud ... ..  | 2 | 2 | 2 | — | 2 |
| 29                        | H251  | Beading, plate (rubber) ... ..                             | 1 | 1 | 1 | — | 1 |
| <b>REAR NUMBER PLATE</b>  |       |  |   |   |   |   |   |
| 30                        | F3363 | Plate, rear number ... ..                                  | 1 | 1 | 1 | 1 | 1 |
| 31                        | F929  | Bolt, rear number plate top, $\frac{1}{2}$ " U/H ... ..    | 1 | 1 | 1 | 1 | 1 |
| 32                        | S1-51 | Nut, rear number plate top bolt ... ..                     | 1 | 1 | 1 | 1 | 1 |
| 33                        | S26-3 | Washer, number plate top bolt ... ..                       | 1 | 1 | 1 | 1 | 1 |
| 34                        | F1369 | Bolt, rear number plate bottom, $\frac{5}{8}$ " U/H ... .. | 2 | 2 | 2 | 2 | 2 |
| 35                        | S26-2 | Washer, bottom bolt nut ... ..                             | 2 | 2 | 2 | 2 | 2 |
| 36                        | F879  | Nut, bottom bolt ... ..                                    | 2 | 2 | 2 | 2 | 2 |
| 37                        | D68   | Transfer, number plate (gold and white) ... ..             | 1 | 1 | 1 | 1 | 1 |

**PETROL AND OIL TANK—GROUP 18**

PETROL TANK (ALWAYS STATE COLOUR REQUIRED)

|    |        |   |     |     |     |     |   |   |   |   |   |
|----|--------|---|-----|-----|-----|-----|---|---|---|---|---|
| 1  | F4115  | Tank, petrol (4 gallons)                      | ... | ... | ... | ... | 1 | 1 | 1 | — | 1 |
| 2  | F4116  | Tank, petrol (3 gallons)                      | ... | ... | ... | ... | — | A | A | 1 | A |
| 3  | F4148  | Styling strip, L.H. front                     | ... | ... | ... | ... | 1 | 1 | 1 | — | 1 |
| 4  | F4151  | Styling strip, R.H. front                     | ... | ... | ... | ... | 1 | 1 | 1 | — | 1 |
| 5  | F4146  | Styling strip, L.H. rear                      | ... | ... | ... | ... | 1 | 1 | 1 | — | 1 |
| 6  | F4149  | Styling strip, R.H. rear ...                  | ... | ... | ... | ... | 1 | 1 | 1 | — | 1 |
| 7  | F4235  | Styling strip, L.H. front                     | ... | ... | ... | ... | — | A | A | 1 | A |
| 8  | F4237  | Styling strip, R.H. front                     | ... | ... | ... | ... | — | A | A | 1 | A |
| 9  | F4236  | Styling strip, L.H. rear                      | ... | ... | ... | ... | — | A | A | 1 | A |
| 10 | F4238  | Styling strip, R.H. rear ...                  | ... | ... | ... | ... | — | A | A | 1 | A |
| 11 | F4127  | Styling unit, L.H.                            | ... | ... | ... | ... | 1 | 1 | 1 | 1 | 1 |
| 12 | F4128  | Styling unit, R.H.                            | ... | ... | ... | ... | 1 | 1 | 1 | 1 | 1 |
| 13 | F4129  | Screw, unit securing (-435" U/H)              | ... | ... | ... | ... | 4 | 4 | 4 | 4 | 4 |
| 14 | F3220  | Cap, tank filler ...                          | ... | ... | ... | ... | 1 | 1 | 1 | — | 1 |
| 15 | F3219  | Cap, tank filler c/w jack chain               | ... | ... | ... | ... | — | — | — | 1 | — |
| 16 | F4048  | Washer, cap joint                             | ... | ... | ... | ... | 1 | 1 | 1 | 1 | 1 |
| 17 | F3967  | Band, centre styling                          | ... | ... | ... | ... | 1 | 1 | 1 | 1 | 1 |
| 18 | F4019  | Washer, shakeproof                            | ... | ... | ... | ... | 1 | 1 | 1 | 1 | 1 |
| 19 | H919   | Nut, band fixing tag                          | ... | ... | ... | ... | 1 | 1 | 1 | 1 | 1 |
| 20 | F2551  | Pad, knee grip, L.H.                          | ... | ... | ... | ... | 1 | 1 | 1 | — | 1 |
| 21 | F2552  | Pad, knee grip, R.H.                          | ... | ... | ... | ... | 1 | 1 | 1 | — | 1 |
| 22 | F1606  | Pad, knee grip, L.H. (Export Tigers)          | ... | ... | ... | ... | — | A | A | 1 | A |
| 23 | F1605  | Pad, knee grip, R.H. (Export Tigers)          | ... | ... | ... | ... | — | A | A | 1 | A |
| 24 | F3915  | Plate, knee grip insert, L.H. (Export Tigers) | ... | ... | ... | ... | — | A | A | 1 | A |
| 25 | F3916  | Plate, knee grip insert, R.H. (Export Tigers) | ... | ... | ... | ... | — | A | A | 1 | A |
| 26 | F1953  | Screw, knee grip pad, 5/8" U/H ...            | ... | ... | ... | ... | 4 | 4 | 4 | — | 4 |
| 27 | T361   | Bolt, knee grip pad                           | ... | ... | ... | ... | — | A | A | 4 | A |
| 28 | S25-13 | Washer, knee grip bolt                        | ... | ... | ... | ... | — | A | A | 4 | A |
| 29 | F1808  | Bolt, petrol tank fixing, 1 3/16" U/H         | ... | ... | ... | ... | 4 | 4 | 4 | 4 | 4 |
| 30 | F1813  | Washer, rubber (upper)                        | ... | ... | ... | ... | 4 | 4 | 4 | 4 | 4 |
| 31 | F967   | Washer, rubber (lower front)                  | ... | ... | ... | ... | 2 | 2 | 2 | 2 | 2 |
| 32 | F3815  | Washer, rubber spigotted (rear)               | ... | ... | ... | ... | 2 | 2 | 2 | 2 | 2 |
| 33 | S25-27 | Washer, plain                                 | ... | ... | ... | ... | 4 | 4 | 4 | 4 | 4 |
| 34 | F1717  | Tap, petrol feed                              | ... | ... | ... | ... | 1 | — | — | — | — |
| 35 | F3057  | Tap, petrol feed, L.H.                        | ... | ... | ... | ... | — | 1 | 1 | 1 | 2 |
| 36 | F3116  | Tap, petrol feed, R.H. (reserve)              | ... | ... | ... | ... | — | 1 | 1 | 1 | — |
| 37 | F1511  | Washer, petrol tap and plug                   | ... | ... | ... | ... | 2 | 2 | 2 | 2 | 2 |
| 38 | F3329  | Plug, petrol tank                             | ... | ... | ... | ... | 1 | — | — | — | — |
| 39 | F4448  | Pipe, petrol feed                             | ... | ... | ... | ... | 1 | — | — | — | — |
| 40 | F4450  | Pipe, petrol feed                             | ... | ... | ... | ... | — | 2 | 2 | 2 | — |

For Bonneville 120 Petrol Pipes see Page 94.



# GROUP 18 – PETROL AND OIL TANK

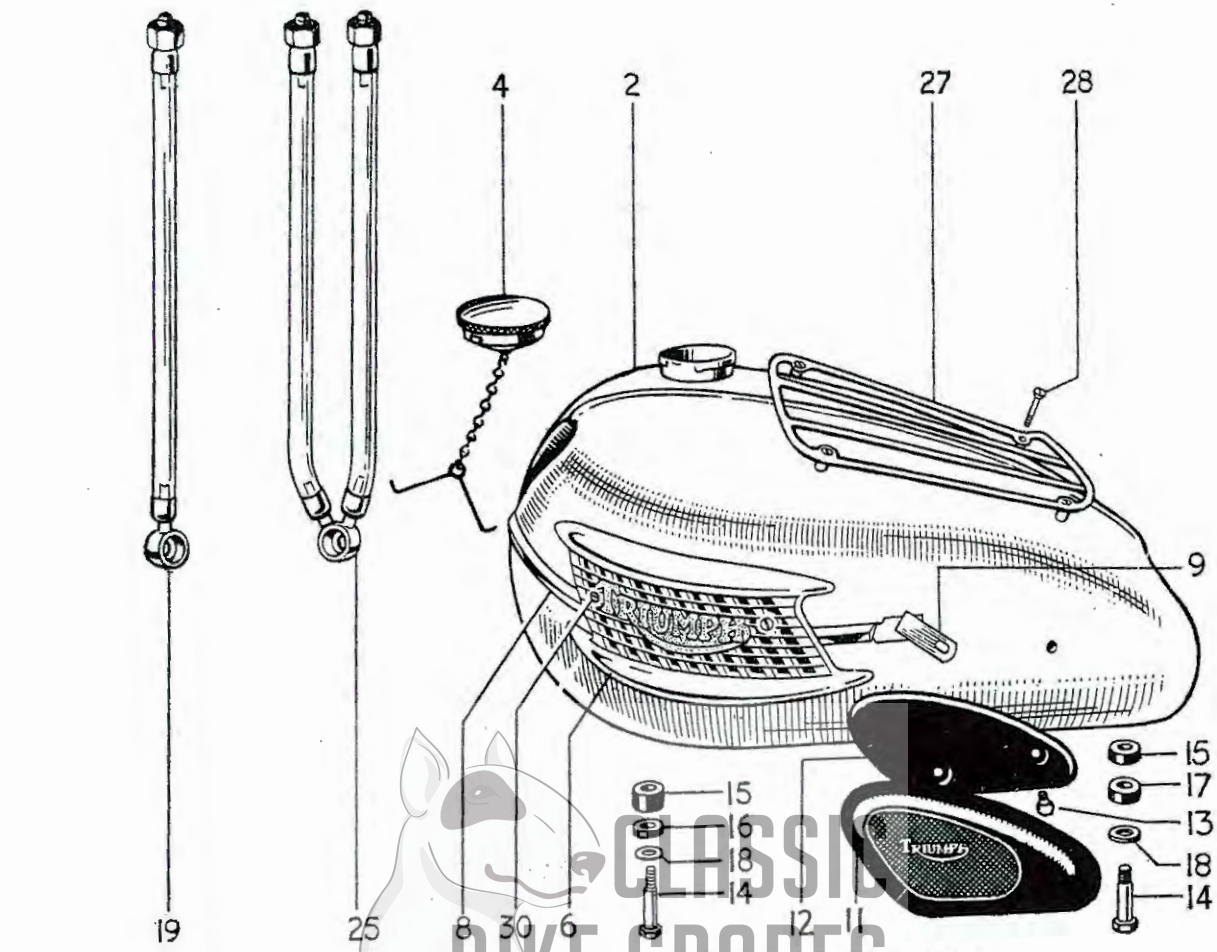
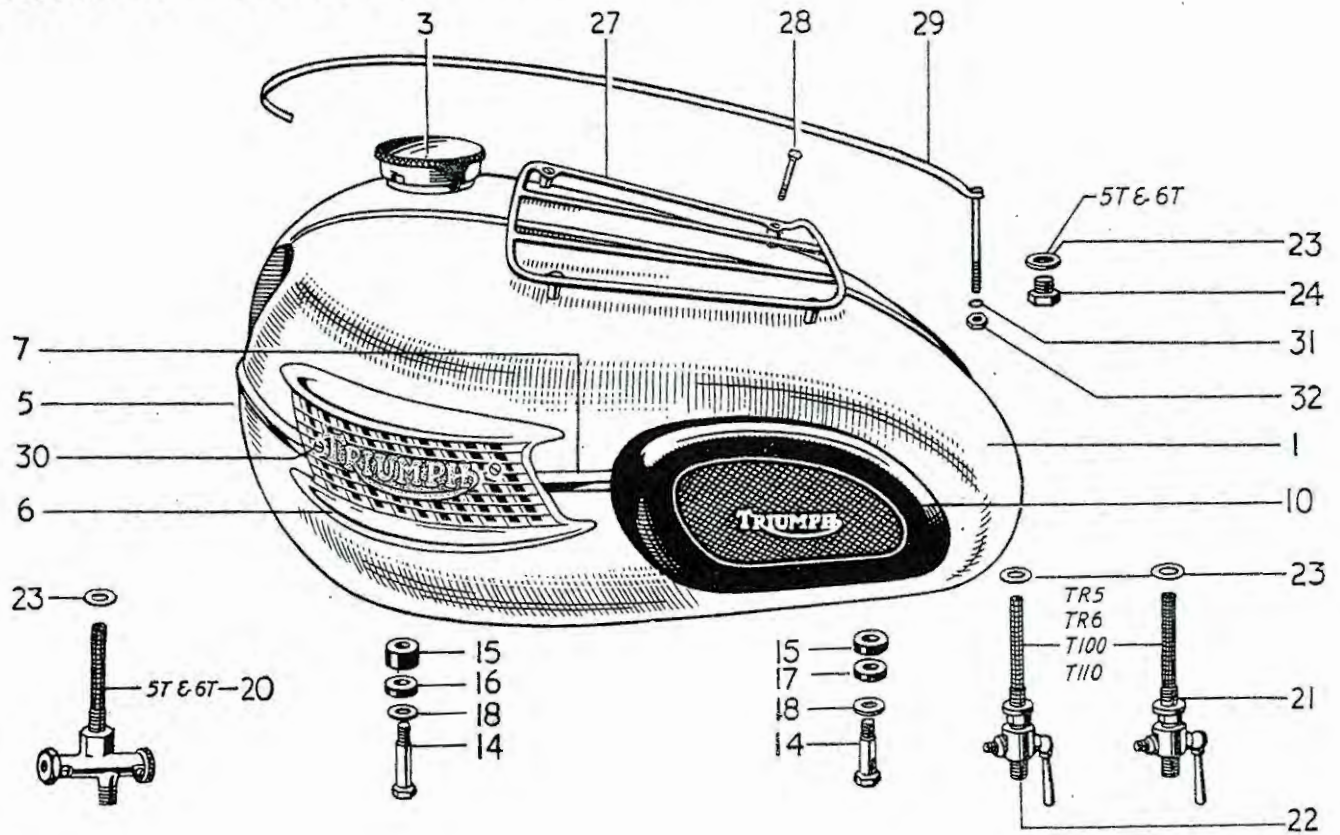
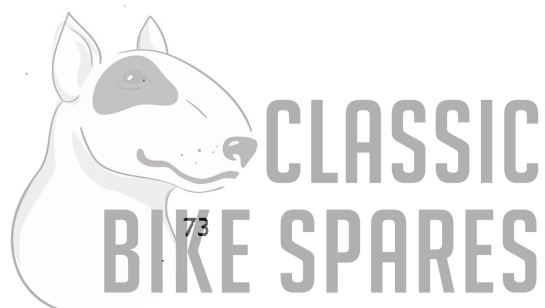


FIG. 22. PETROL TANKS AND FITTINGS

INDEX FIG. 22

| Illust. No. | Part No. | Page No. | Ref. No. | Illust. No. | Part No. | Page No. | Ref. No. |
|-------------|----------|----------|----------|-------------|----------|----------|----------|
| 1           | F4115    | 71       | 1        | 17          | F3815    | 71       | 32       |
| 2           | F4116    | 71       | 2        | 18          | S25-27   | 71       | 33       |
| 3           | F3220    | 71       | 14       | 19          | F4448    | 71       | 39       |
| 4           | F3219    | 71       | 15       | 20          | F1717    | 71       | 34       |
| 5           | F4148    | 71       | 3        | 21          | F3116    | 71       | 36       |
| 6           | F4127    | 71       | 11       | 22          | F3057    | 71       | 35       |
| 7           | F4146    | 71       | 5        | 23          | F1511    | 71       | 37       |
| 8           | F4235    | 71       | 7        | 24          | F3329    | 71       | 38       |
| 9           | F4236    | 71       | 9        | 25          | F4450    | 71       | 40       |
| 10          | F2551    | 71       | 20       | 27          | F3917    | 74       | 1        |
| 11          | F1606    | 71       | 22       | 28          | F2936    | 74       | 2        |
| 12          | F3915    | 71       | 24       | 29          | F3967    | 71       | 17       |
| 13          | T361     | 71       | 27       | 30          | F4129    | 71       | 13       |
| 14          | F1808    | 71       | 29       | 31          | F4019    | 71       | 18       |
| 15          | F1813    | 71       | 30       | 32          | H919     | 71       | 19       |
| 16          | F967     | 71       | 31       |             |          |          |          |







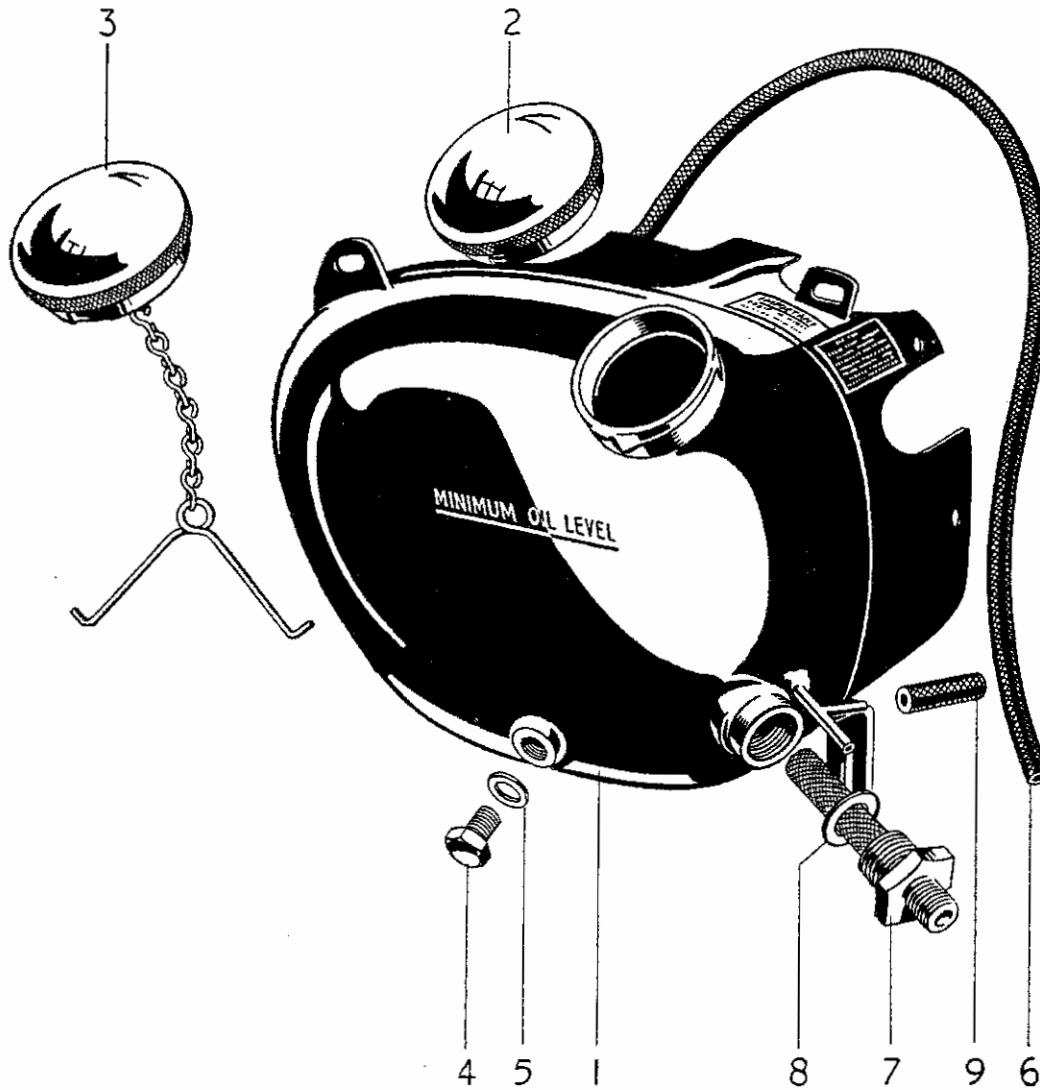


FIG. 23. OIL TANK

INDEX FIG. 23

| Illust. No. | Part No. | Page No. | Ref. No. | Illust. No. | Part No. | Page No. | Ref. No. |
|-------------|----------|----------|----------|-------------|----------|----------|----------|
| 1           | F3856    | 74       | 4        | 5           | PT1048B  | 74       | 11       |
|             | F4513    | 74       | 5        | 6           | T1203    | 74       | 12       |
|             | F4529    | 74       | 6        |             | T1578    | 74       | 13       |
| 2           | F3658    | 74       | 7        | 7           | F3179    | 74       | 20       |
| 3           | F3796    | 74       | 8        | 8           | F1713    | 74       | 21       |
| 4           | E1792    | 74       | 10       | 9           | E3383    | 35       | 9        |



# PRIMARY CHAINCASE – GROUP 20

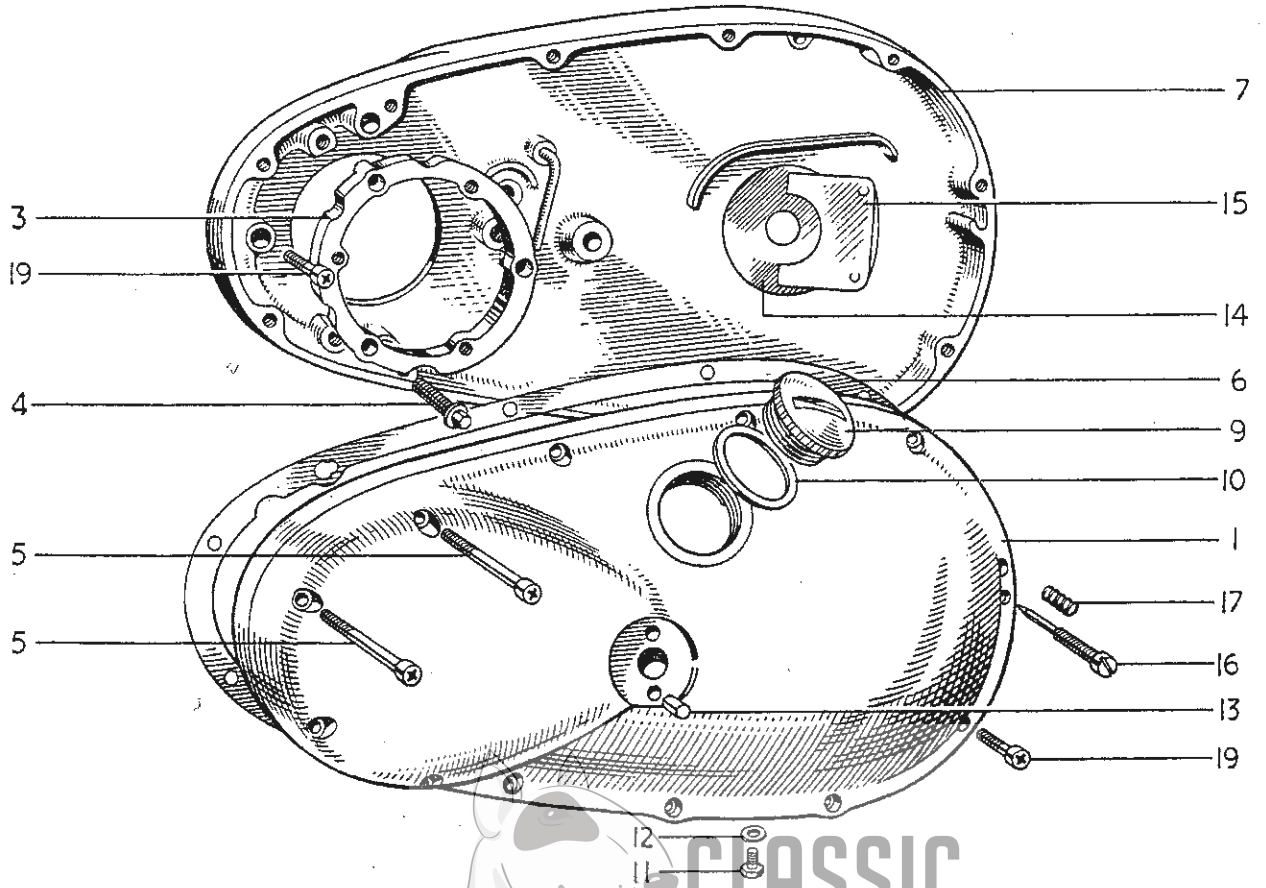
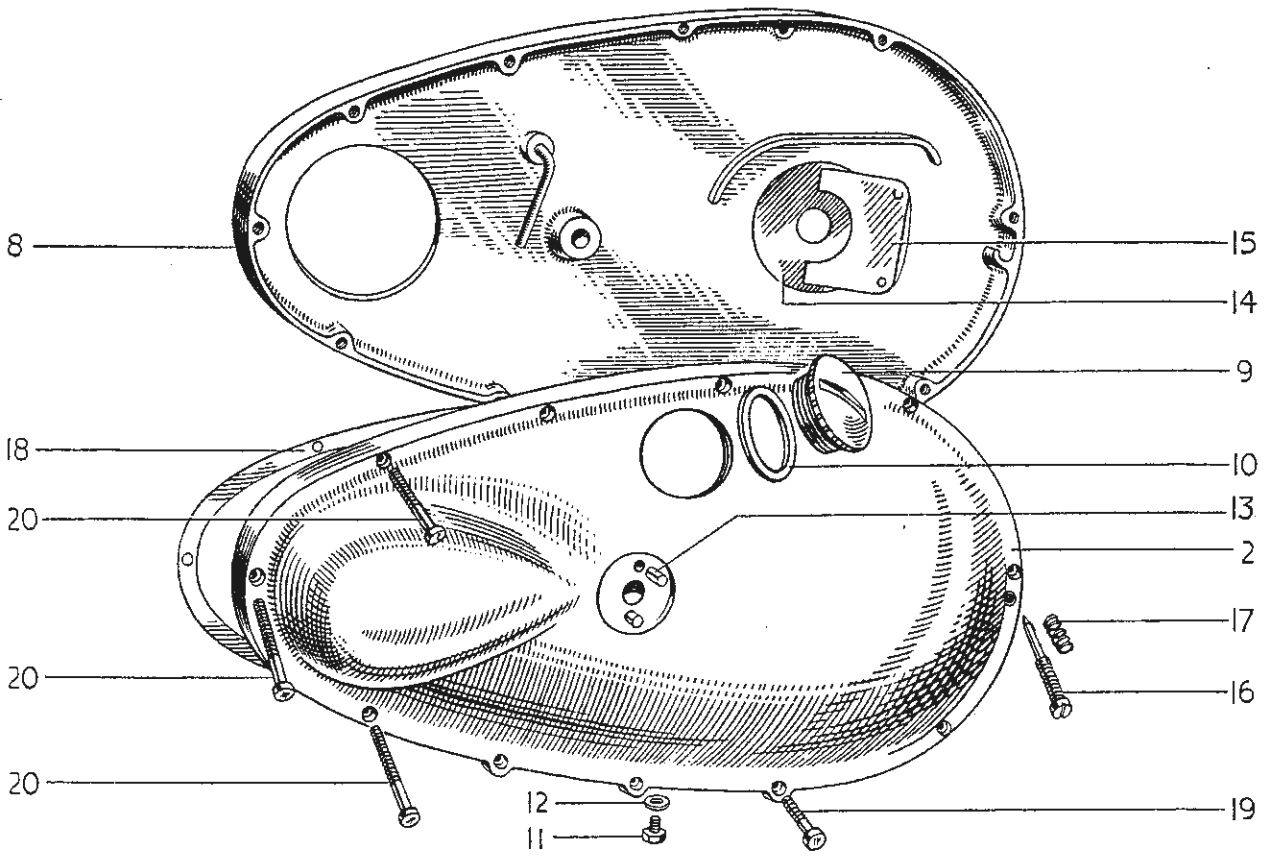


FIG. 24. PRIMARY CHAINCASE

# GROUP 21 — HANDLEBAR

| REF. No. | PART No. | DESCRIPTION | 6T | T100 | T110 | TR6 | T120 |
|----------|----------|-------------|----|------|------|-----|------|
|----------|----------|-------------|----|------|------|-----|------|

## HANDLEBAR—GROUP 21

### HANDLEBAR

|   |       |                                       |     |     |   |   |   |   |   |
|---|-------|---------------------------------------|-----|-----|---|---|---|---|---|
| 1 | H1223 | Handlebar, complete with all controls | ... | ... |   | — | — | — | — |
| 2 | H1224 | Handlebar, complete with all controls | ... | ... | — | — | — |   | — |
| 3 | H1225 | Handlebar, complete with all controls | ... | ... | — |   |   | — | — |
| 4 | H1277 | Handlebar, complete with all controls | ... | ... | — | — | — | — |   |
| 5 | H1009 | Handlebar, bend only                  | ... | ... |   |   |   | — |   |
| 6 | H1003 | Handlebar, bend only                  | ... | ... | — | — | — |   | — |
| 7 | H230  | Grip, handlebar, L.H. rubber          | ... | ... |   |   |   |   |   |

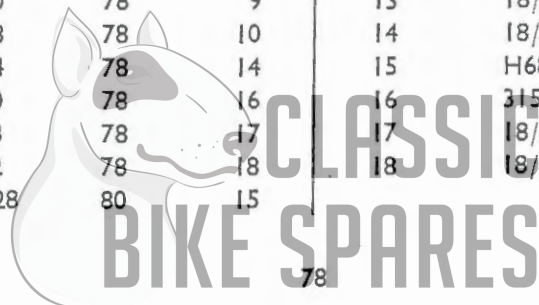
FOR U.S.A. AND CANADIAN PATTERN SEE PAGE 82.

### THROTTLE CONTROL

|    |      |                                    |     |     |     |     |   |   |   |   |   |
|----|------|------------------------------------|-----|-----|-----|-----|---|---|---|---|---|
| 8  | H697 | Twistgrip, assembly                | ... | ... | ... | ... |   |   |   |   |   |
| 9  | H230 | Grip, twistgrip rubber             | ... | ... | ... | ... |   |   |   |   |   |
| 10 | H698 | Head, assembly, twistgrip          | ... | ... | ... | ... |   |   |   |   |   |
| 11 | H685 | Spring, twistgrip friction screw   | ... | ... | ... | ... |   |   |   |   |   |
| 12 | H665 | Screw, twistgrip friction adjuster | ... | ... | ... | ... |   |   |   |   |   |
| 13 | H686 | Spring, twistgrip friction         | ... | ... | ... | ... |   |   |   |   |   |
| 14 | H234 | Thimble, twistgrip cable           | ... | ... | ... | ... |   |   |   |   |   |
| 15 | H237 | Grubscrew, twistgrip               | ... | ... | ... | ... |   |   |   |   |   |
| 16 | H700 | Sleeve assembly, twistgrip         | ... | ... | ... | ... |   |   |   |   |   |
| 17 | H233 | Plate, sleeve retaining            | ... | ... | ... | ... | 2 | 2 | 2 | 2 | 2 |
| 18 | H232 | Circlip, sleeve retaining          | ... | ... | ... | ... |   |   |   |   |   |

### INDEX FIG. 25

| Illust. No. | Part No. | Page No. | Ref. No. | Illust. No. | Part No. | Page No. | Ref. No. |
|-------------|----------|----------|----------|-------------|----------|----------|----------|
| 1           | H1009    | 78       | 5        | 9           | 18/892   | 80       | 17       |
|             | H1003    | 78       | 6        | 10          | H668     | 80       | 18       |
|             | H1010    | 82       | 14       | 11          | 61/004   | 80       | 19       |
|             | H1179    | 82       | 15       | 12          | 18/087   | 80       | 20       |
| 2           | H230     | 78       | 9        | 13          | 18/053   | 80       | 21       |
| 3           | H698     | 78       | 10       | 14          | 18/886   | 80       | 1        |
| 4           | H234     | 78       | 14       | 15          | H689     | 99       | 24       |
| 5           | H700     | 78       | 16       | 16          | 31563A   | 99       | 22       |
| 6           | H233     | 78       | 17       | 17          | 18/839   | 80       | 23       |
| 7           | H232     | 78       | 18       | 18          | 18/838   | 80       | 22       |
| 8           | 18/528   | 80       | 15       |             |          |          |          |



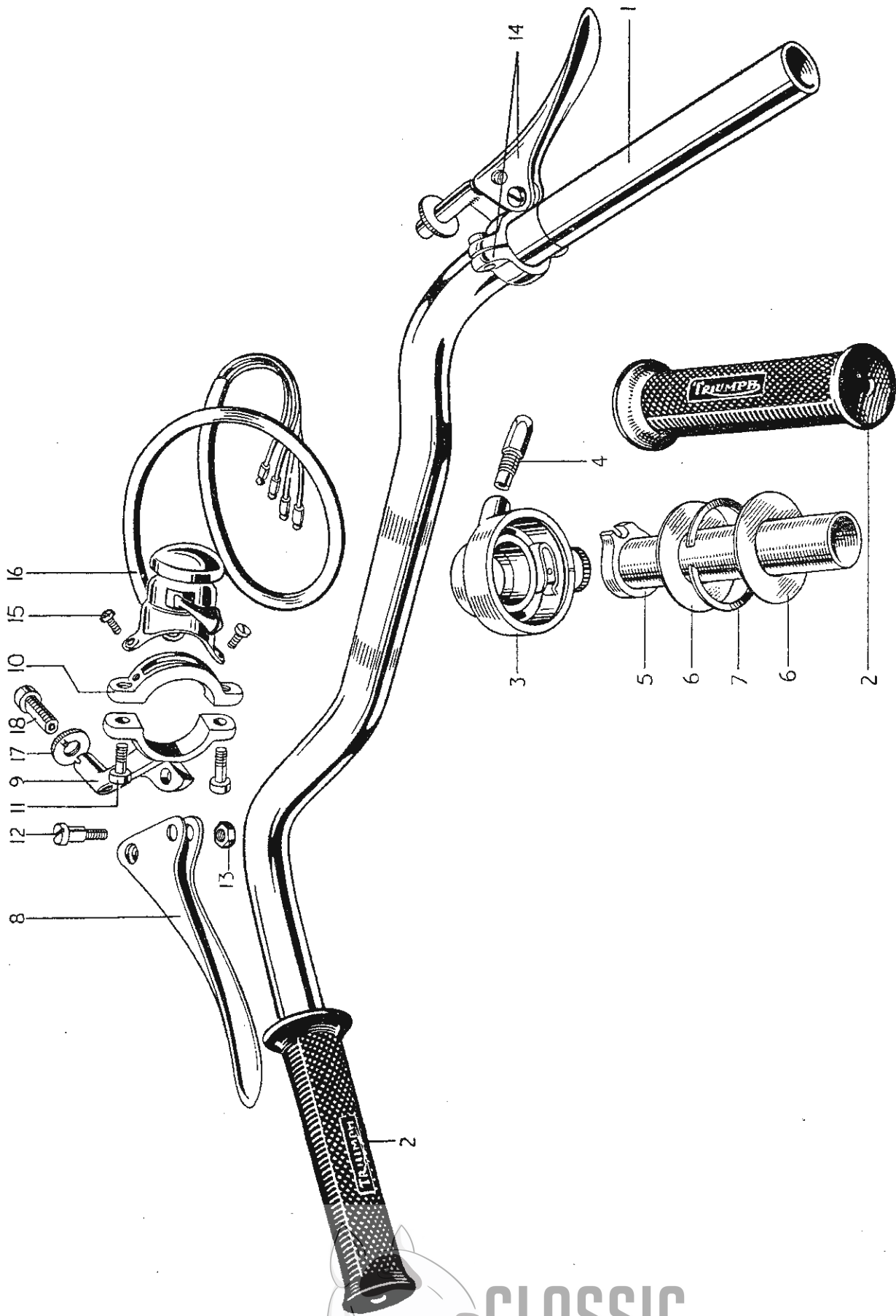


FIG. 25. HANDLEBAR AND CONTROLS



# HANDLEBAR GROUP 21 CONTROL CABLE — GROUP 22

| REF. No.               | PART No. | DESCRIPTION                            | 6T | T100 | T110 | TR6 | T120 |
|------------------------|----------|--|----|------|------|-----|------|
| <b>MAGNETO CONTROL</b> |          |  |    |      |      |     |      |
| 1                      | 12/613   | Lever assembly, magneto control ... .. | —  | 1    | 1    | 1   | 1    |
| 2                      | 12/014   | Lever only ... ..                      | —  | 1    | 1    | 1   | 1    |
| 3                      | 12/607   | Bolt, centre ... ..                    | —  | 1    | 1    | 1   | 1    |
| 4                      | 12/606   | Cap, centre ... ..                     | —  | 1    | 1    | 1   | 1    |
| 5                      | 12/033   | Washer, spring ... ..                  | —  | 1    | 1    | 1   | 1    |
| 6                      | 11/014   | Screw, clip fixing ... ..              | —  | 2    | 2    | 2   | 2    |
| 7                      | 12/044   | Clip, fixing ... ..                    | —  | 1    | 1    | 1   | 1    |

## CONTROL CABLE—GROUP 22

### CLUTCH CABLE

|    |      |                              |   |   |   |   |   |
|----|------|------------------------------|---|---|---|---|---|
| 8  | D388 | Cable assembly clutch ... .. | 1 | 1 | 1 | 1 | 1 |
| 9  | D103 | Ferrule, cable casing ... .. | 2 | 2 | 2 | 2 | 2 |
| 10 | D368 | Nipple ... ..                | 2 | 2 | 2 | 2 | 2 |

### FRONT BRAKE CABLE

|    |      |                               |   |   |   |   |   |
|----|------|-------------------------------|---|---|---|---|---|
| 11 | D414 | Cable assembly, brake ... ..  | 1 | — | — | — | — |
| 12 | D416 | Cable assembly, brake ... ..  | — | 1 | 1 | 1 | 1 |
| 13 | D103 | Ferrule, cable casing ... ..  | 2 | 2 | 2 | 2 | 2 |
| 14 | D368 | Nipple (handlebar end) ... .. | 1 | 1 | 1 | 1 | 1 |
| 15 | W593 | Fork end ... ..               | 1 | 1 | 1 | 1 | 1 |

### THROTTLE CABLE

|    |         |  |   |   |   |   |    |
|----|---------|--|---|---|---|---|----|
| 16 | D224    | Throttle cable assembly ... ..           | 1 | 1 | 1 | 1 | —  |
| 17 | D421    | Throttle cable assembly ... ..           | — | — | — | — | 1  |
| 18 | D422    | Cable, twistgrip to junction box ... ..  | — | — | — | — | 1  |
| 19 | 244/104 | Junction box ... ..                      | — | — | — | — | 1  |
| 20 | D423    | Cable, junction box to carb. ... ..      | — | — | — | — | 2  |
| 21 | D101    | Ferrule, casing ... ..                   | 3 | 3 | 3 | 3 | 10 |
| 22 | H670    | Guide tube, throttle wire ... ..         | 1 | 1 | 1 | 1 | 1  |
| 23 | D83     | Nipple, throttle wire (twistgrip) ... .. | 1 | 1 | 1 | 1 | 1  |
| 24 | NS191   | Nipple, throttle wire (carb.) ... ..     | 1 | 1 | 1 | 1 | 5  |
| 25 | D104    | Adjuster, cable casing ... ..            | 1 | 1 | 1 | 1 | 3  |



**GROUP 22 — CONTROL CABLE**  
**GROUP 23 — OVERSEAS HANDLEBAR**

| REF. No. | PART No. | DESCRIPTION                               | 6T | T100 | T110 | TR6 | T120 |
|----------|----------|---|----|------|------|-----|------|
| 1        | D329     | Cable assembly, air ... ..                |    |      |      | —   | —    |
| 2        | D242     | Cable assembly, air ... ..                | —  | —    | —    |     | —    |
| 3        | D101     | Ferrule, air casing ... ..                |    |      |      |     | —    |
| 4        | D83      | Nipple, air wire (handlebar end) ... ..   |    |      |      |     | —    |
| 5        | NS191    | Nipple, air wire (carburetter end) ... .. |    |      |      |     | —    |

**IGNITION CABLE**

|   |      |  |   |   |   |   |   |             |
|---|------|--|---|---|---|---|---|-------------|
| 6 | D100 | *Cable assembly, ignition ... ..             | — |   |   |   |   |             |
| 7 | D101 | Ferrule, ignition casing ... ..              | — | 2 | 2 | 2 | 2 |             |
| 8 | D83  | Nipple, ignition wire (handlebar end) ... .. | — |   |   |   |   |             |
| 9 | XA69 | Clip, cables to frame, etc. ... ..           |   |   |   |   |   | As required |

*\*Magneto end fittings supplied by Messrs. Lucas Ltd.*

**HANDLEBAR—GROUP 23**

**U.S.A. AND CANADIAN PATTERN**

|    |       |  |   |   |   |   |   |
|----|-------|--|---|---|---|---|---|
| 10 | H1226 | Handlebar, complete with all controls ... .. |   | — | — | — | — |
| 11 | H1227 | Handlebar, complete with all controls ... .. | — |   |   | — | — |
| 12 | H1228 | Handlebar, complete with all controls ... .. | — | — | — |   | — |
| 13 | H1279 | Handlebar, complete with all controls ... .. | — | — | — | — |   |
| 14 | H1010 | Handlebar, bend only ... ..                  |   |   |   | — |   |
| 15 | H1179 | Handlebar, bend only ... ..                  | — | — | — |   | — |
| 16 | D415  | Cable assembly, brake ... ..                 |   | — | — | — | — |
| 17 | D417  | Cable assembly, brake ... ..                 | — |   |   |   |   |
| 18 | D257  | Cable assembly, throttle ... ..              |   |   |   |   | — |
| 19 | D424  | Cable assembly, throttle ... ..              | — | — | — | — |   |
| 20 | D425  | Cable, twistgrip to junction box ... ..      | — | — | — | — | 2 |
| 21 | D260  | Cable assembly, ignition ... ..              | — |   |   |   |   |
| 22 | D389  | Cable assembly, clutch ... ..                |   |   |   |   |   |







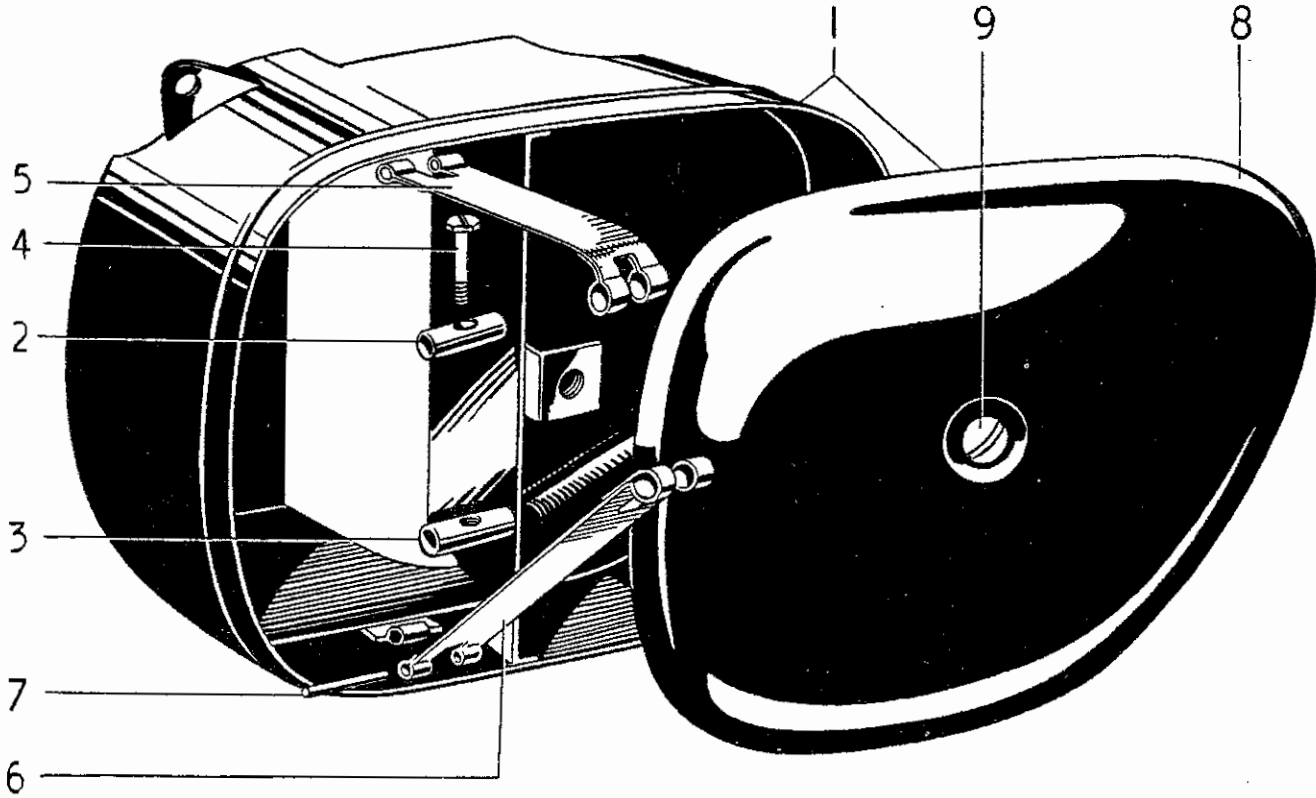


FIG. 26. BATTERY CARRIER AND TOOL BOX

INDEX FIG. 26

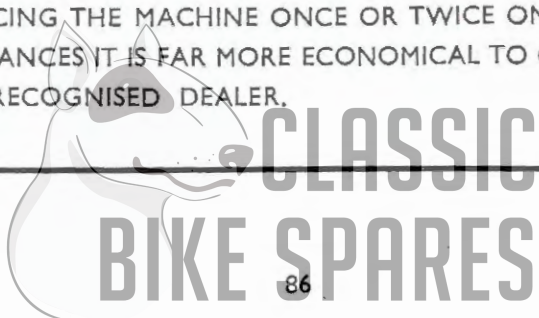
| Illust. No. | Part No. | Page No. | Ref. No. | Illust. No. | Part No. | Page No. | Ref. No. |
|-------------|----------|----------|----------|-------------|----------|----------|----------|
| 1           | F3870    | 84       | 1        | 5           | F3588    | 84       | 6        |
|             | F4528    | 84       | 2        | 6           | F1668    | 84       | 7        |
| 2           | E534     | 84       | 3        | 7           | F1727    | 84       | 8        |
| 3           | E535     | 84       | 4        | 8           | F3874    | 84       | 9        |
| 4           | E536     | 84       | 5        | 9           | F3875    | 84       | 10       |

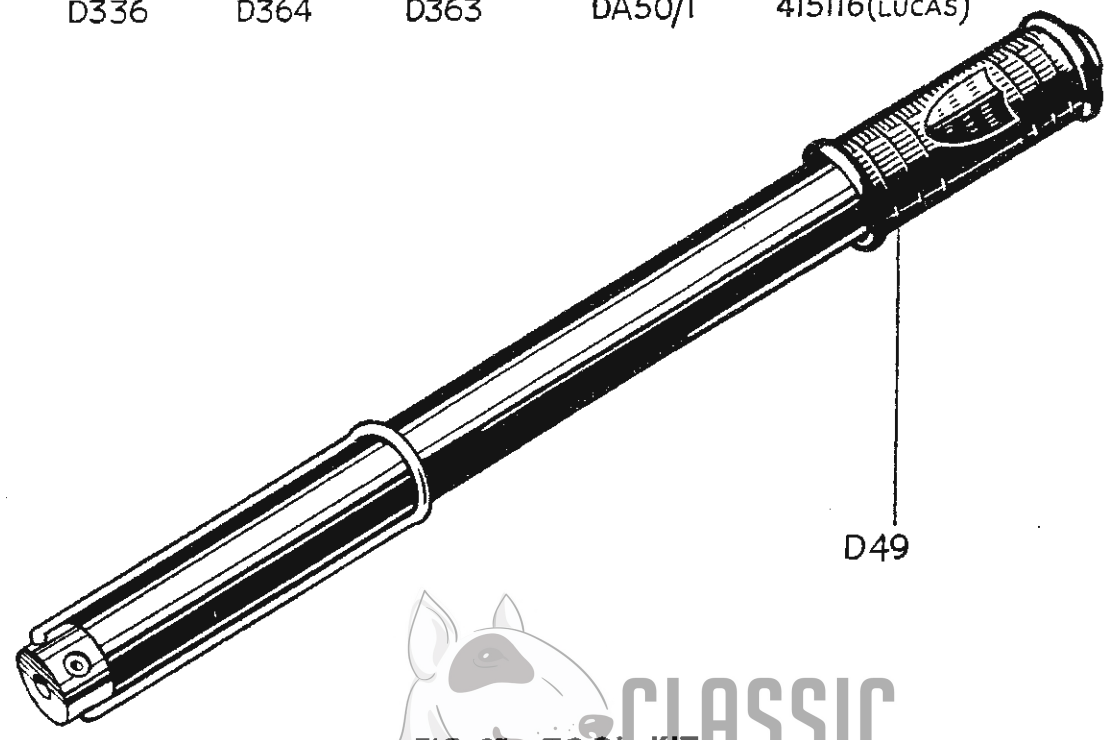
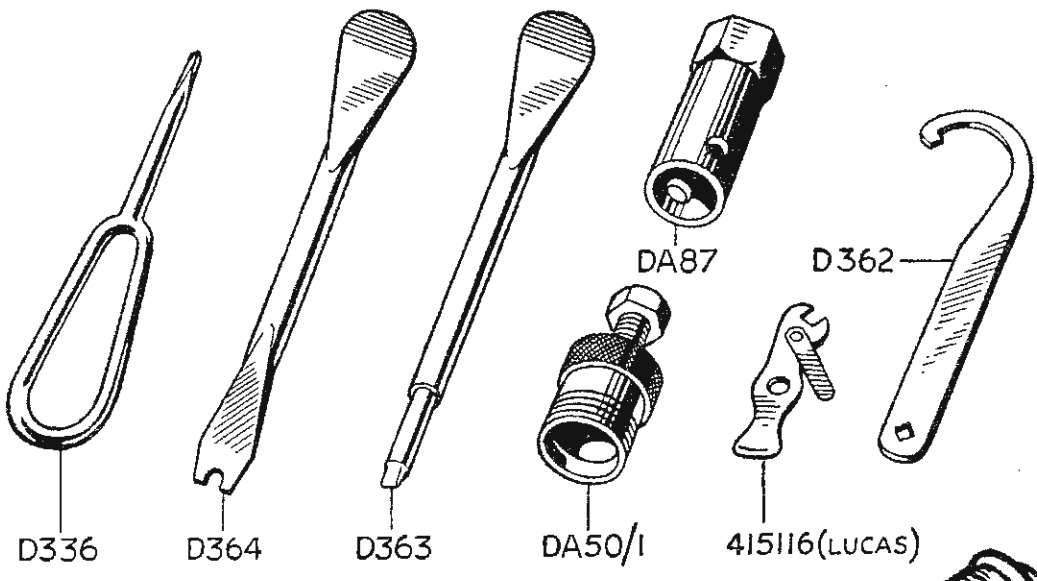
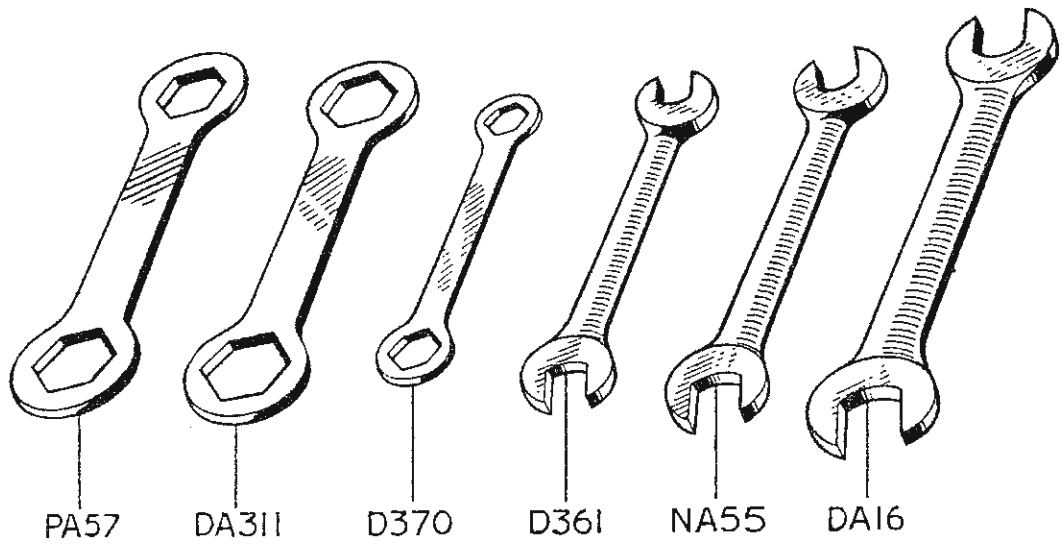
# GROUP 27 — TOOLKIT

| REF. No.                | PART No. | DESCRIPTION   | 6T | T100 | T110 | TR6 | T120 |
|-------------------------|----------|---|----|------|------|-----|------|
| <b>TOOLKIT—GROUP 27</b> |          |   |    |      |      |     |      |
| 1                       | D.365    | Toolkit, complete   |    |      |      |     |      |
| 2                       | WA.58    | Roll, canvas tool   |    |      |      |     |      |
| 3                       | D.360    | Spanner, open $\frac{1}{8}$ " x $\frac{5}{16}$ " Whit.    |    |      |      |     |      |
| 4                       | D.361    | Spanner, open $\frac{1}{16}$ " x $\frac{1}{4}$ " Whit.    |    |      |      |     |      |
| 5                       | NA.55    | Spanner, open $\frac{1}{4}$ " x $\frac{5}{16}$ " Whit.    |    |      |      |     |      |
| 6                       | DA.16    | Spanner, open $\frac{3}{8}$ " x $\frac{7}{16}$ " Whit.    |    |      |      |     |      |
| 7                       | PA.57    | Spanner, closed $\frac{1}{2}$ " x $\frac{9}{16}$ " Whit.  |    |      |      |     |      |
| 8                       | D.311    | Spanner, closed $\frac{5}{8}$ " x $\frac{11}{16}$ " Whit. |    |      |      |     |      |
| 9                       | D.362    | "C" Spanner and Tappet Key                                |    |      |      |     |      |
| 10                      | D.87     | Box spanner, plugs  |    |      |      |     |      |
| 11                      | D.363    | Tyre lever and screw driver                               |    |      |      |     |      |
| 12                      | D.364    | Tyre lever and clutch key                                 |    |      |      |     |      |
| 13                      | DA.50/1  | Extractor, clutch hub                                     |    |      |      |     |      |
| 14                      | D.336    | Screwdriver, Phillips No. 3                               |    |      |      |     |      |
| 15                      | 415116   | Spanner, magneto points                                   | —  |      |      |     |      |
| 16                      | 400935   | Screwdriver, distributor points                           |    | —    | —    | —   | —    |
| 17                      | D.49     | Tyre inflator (not in kit)                                |    |      |      |     |      |
| 18                      | D.220    | Spanner, fork cap nuts (not in kit)                       | A  | A    | A    | A   | A    |
| 19                      | 167      | Extractor, chain rivet (not in kit)                       | A  | A    | A    | A   | A    |

## SPECIAL WORKSHOP TOOLS

A COMPLETE LIST OF WORKSHOP TOOLS CAN BE MADE AVAILABLE BY EITHER CONTACTING YOUR DEALER OR APPLYING DIRECT TO THE TRIUMPH SERVICE DEPARTMENT. IN MOST CASES THESE TOOLS ARE VERY COSTLY AS THEY ARE MADE ENTIRELY FOR WORKSHOP USE, AND THEREFORE, IT IS NOT RECOMMENDED THAT THE PRIVATE OWNER PURCHASES THE TOOLS IN ORDER TO AID SERVICING THE MACHINE ONCE OR TWICE ONLY. IN THESE CIRCUMSTANCES IT IS FAR MORE ECONOMICAL TO GET IN TOUCH WITH A RECOGNISED DEALER.





# GROUP 28 – AIR FILTER

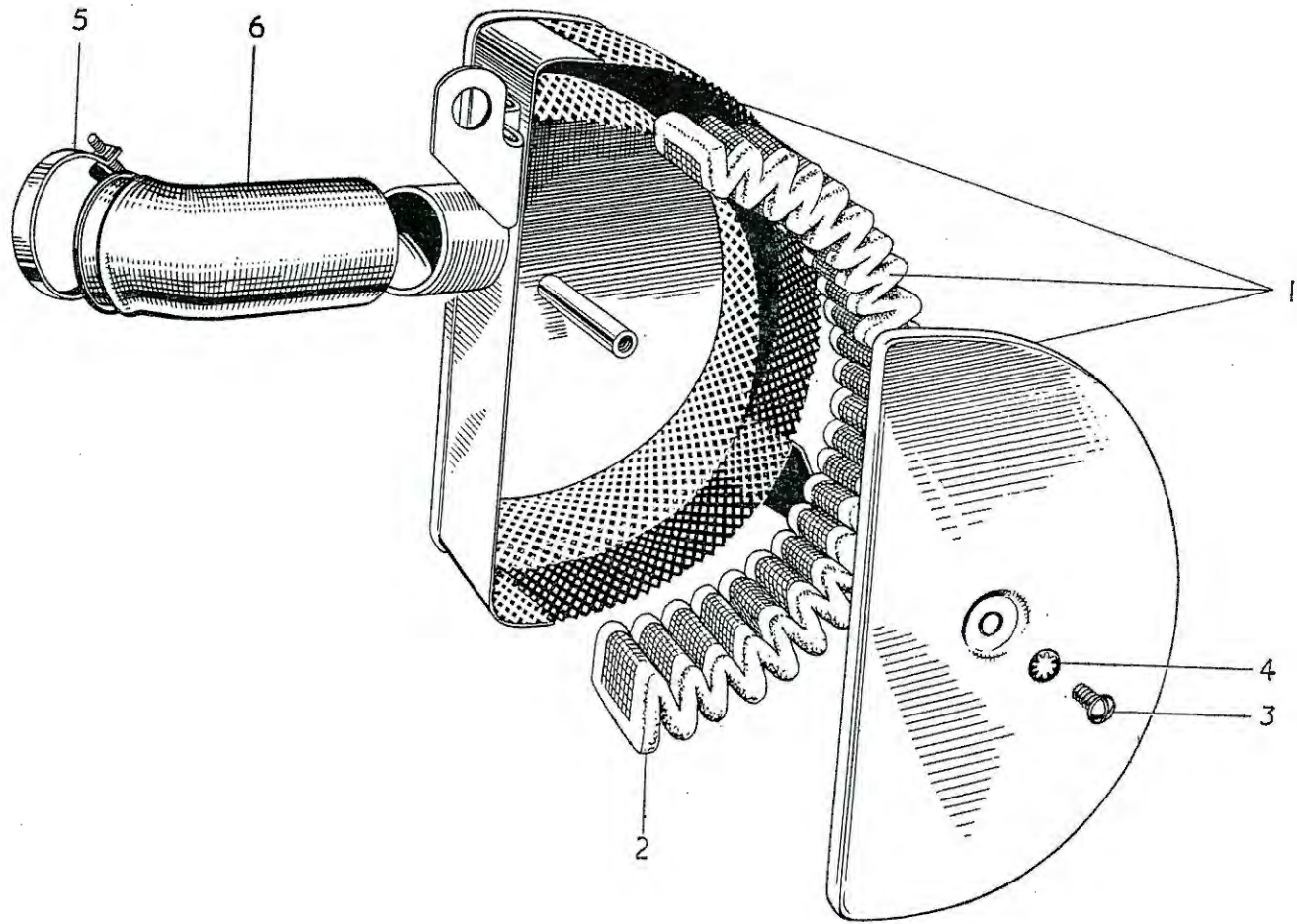
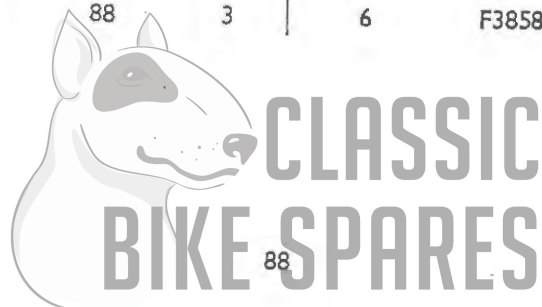


FIG. 28. AIR FILTER

## INDEX FIG. 28

| Illust. No. | Part No. | Page No. | Ref. No. | Illust. No. | Part No. | Page No. | Ref. No. |
|-------------|----------|----------|----------|-------------|----------|----------|----------|
| 1           | F3857    | 88       | 1        | 4           | E2312    | 88       | 4        |
| 2           | F3315E   | 88       | 2        | 5           | F3859    | 88       | 6        |
| 3           | F3376    | 88       | 3        | 6           | F3858    | 88       | 5        |



**AIR FILTER — GROUP 28**  
**LEGSHIELD — GROUP 29**  
**SIDECAR FITTINGS — GROUP 30**

REF. No.      PART No.                                      DESCRIPTION                                      6T T100 T110 TR6 T120

**AIR FILTER—GROUP 28**

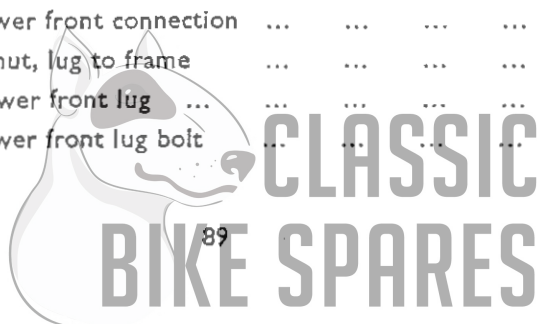
|   |        |                                  |     |     |     |     |     |   |   |   |   |   |
|---|--------|----------------------------------|-----|-----|-----|-----|-----|---|---|---|---|---|
| 1 | F3857  | Air filter assembly              | ... | ... | ... | ... | ... | 1 | 1 | 1 | 1 | — |
| 2 | F3315E | Element only                     | ... | ... | ... | ... | ... | 1 | 1 | 1 | 1 | — |
| 3 | F3376  | Screw, cover $\frac{3}{8}$ " U/H | ... | ... | ... | ... | ... | 1 | 1 | 1 | 1 | — |
| 4 | E2312  | Washer, serrated                 | ... | ... | ... | ... | ... | 1 | 1 | 1 | 1 | — |
| 5 | F3858  | Connection, rubber               | ... | ... | ... | ... | ... | 1 | 1 | 1 | 1 | — |
| 6 | F3859  | Clip, at carburetter             | ... | ... | ... | ... | ... | 1 | 1 | 1 | 1 | — |

**LEGSHIELD—GROUP 29**

|    |        |   |     |     |     |     |     |   |   |   |   |   |
|----|--------|---|-----|-----|-----|-----|-----|---|---|---|---|---|
| 7  | F3208  | Legshield, L.H.                               | ... | ... | ... | ... | ... | 1 | 1 | 1 | 1 | 1 |
| 8  | F3894  | Legshield, R.H.                               | ... | ... | ... | ... | ... | 1 | 1 | 1 | 1 | 1 |
| 9  | F3326  | Stay, legshield                               | ... | ... | ... | ... | ... | 2 | 2 | 2 | 2 | 2 |
| 10 | E1598  | Clip, front down tube                         | ... | ... | ... | ... | ... | 1 | 1 | 1 | 1 | 1 |
| 11 | F1031  | Bolt, stay to clip, $\frac{15}{16}$ " U/H     | ... | ... | ... | ... | ... | 1 | 1 | 1 | 1 | 1 |
| 12 | PO172A | Nut, stay to clip bolt                        | ... | ... | ... | ... | ... | 1 | 1 | 1 | 1 | 1 |
| 13 | S25-2  | Washer, stay to clip bolt                     | ... | ... | ... | ... | ... | 1 | 1 | 1 | 1 | 1 |
| 14 | DS57   | Bolt, stay to legshield, $\frac{7}{16}$ " U/H | ... | ... | ... | ... | ... | 4 | 4 | 4 | 4 | 4 |
| 15 | F879   | Nut, stay to legshield bolt                   | ... | ... | ... | ... | ... | 4 | 4 | 4 | 4 | 4 |
| 16 | S26-2  | Washer, stay to legshield bolt                | ... | ... | ... | ... | ... | 4 | 4 | 4 | 4 | 4 |

**SIDECAR FITTINGS—GROUP 30**

|    |       |                             |     |     |     |     |     |   |   |   |   |   |
|----|-------|-----------------------------|-----|-----|-----|-----|-----|---|---|---|---|---|
| 17 | F2587 | Lug, lower front connection | ... | ... | ... | ... | ... | 1 | 1 | 1 | 1 | — |
| 18 | F1746 | Sleeve nut, lug to frame    | ... | ... | ... | ... | ... | 2 | 2 | 2 | 2 | — |
| 19 | F2600 | Bolt, lower front lug       | ... | ... | ... | ... | ... | 1 | 1 | 1 | 1 | — |
| 20 | F1747 | Nut, lower front lug bolt   | ... | ... | ... | ... | ... | 1 | 1 | 1 | 1 | — |





# PROPRIETARY GROUP

## PROPRIETARY GROUP

Ancillary equipment which is fitted to our motor cycles is of the highest quality and is guaranteed by the manufacturers and not by ourselves. Any repairs or claims should be made to the actual maker who will always give owners every possible assistance. The following are the addresses of the various manufacturers:-

**CARBURETTERS** ... .. Messrs. Amal Ltd.,  
Holdford Road, Witton, Birmingham, 6.

**CHAINS** ... .. Renold Chains Ltd.,  
Wythenshawe, Manchester.

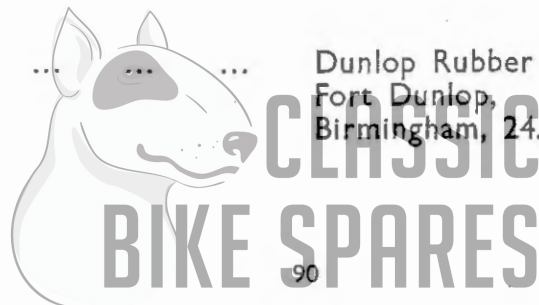
**ELECTRICAL EQUIPMENT** ... Messrs. J. Lucas, Ltd.,  
Gt. Hampton Street, Birmingham, 18.

**SPARKING PLUGS** ... .. Champion Sparking Plug Co. Ltd.,  
Feltham, Middlesex.  
  
K.L.G. Sparking Plugs Ltd.,  
Cricklewood Works, London, N.W.2.  
  
Lodge Plugs Ltd.,  
Rugby, Warwickshire.

**SPEEDOMETERS** ... .. Messrs. Smiths Motor Accessories Ltd.,  
Cricklewood Works, London, N.W.2.

**SUSPENSION UNITS** ... .. Messrs. Girling Ltd.,  
Kings Road, Tyseley, Birmingham, 11.

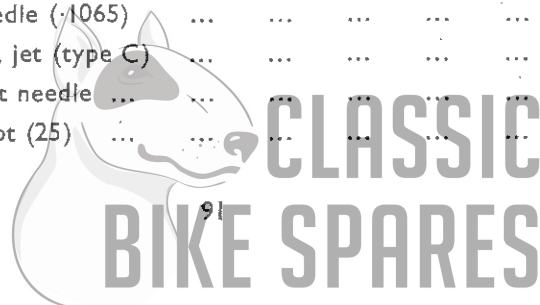
**TYRES** ... .. Dunlop Rubber Co. Ltd.,  
Fort Dunlop,  
Birmingham, 24.



REF. No. PART No. DESCRIPTION 6T T100 T110 TR6 T120

AMAL CARBURETTER—GROUP 31

|    |         |  |   |   |   |   |   |
|----|---------|--|---|---|---|---|---|
| 1  | 376/210 | Carburetter complete ... ..            | 1 | — | — | — | — |
| 2  | 376/35  | Carburetter complete ... ..            | — | 1 | — | — | — |
| 3  | 376/40  | Carburetter complete ... ..            | — | — | 1 | 1 | — |
| 4  | 376/204 | Mixing chamber assembly ... ..         | — | — | — | — | 2 |
| 5  | 376/003 | Chamber, mixing 1 1/8" choke ... ..    | 1 | — | 1 | 1 | — |
| 6  | 376/001 | Chamber, mixing 1 1/8" choke ... ..    | — | 1 | — | — | — |
| 7  | 376/030 | Chamber, mixing 1 1/8" choke ... ..    | — | — | — | — | 2 |
| 8  | 376/107 | Top, mixing chamber ... ..             | 1 | 1 | 1 | 1 | 2 |
| 9  | 376/065 | Cap, mixing chamber ... ..             | 1 | 1 | 1 | 1 | 2 |
| 10 | 4/276   | Spring, mixing chamber cap ... ..      | 1 | 1 | 1 | 1 | 2 |
| 11 | 4/241   | Screw, cap spring ... ..               | 1 | 1 | 1 | 1 | 2 |
| 12 | 4/137A  | Screw, plus ... ..                     | — | — | — | — | 2 |
| 13 | 376/062 | Valve, air ... ..                      | 1 | 1 | 1 | 1 | — |
| 14 | 4/046   | Spring, air valve ... ..               | 1 | 1 | 1 | 1 | — |
| 15 | 6/047   | Guide, air valve ... ..                | 1 | 1 | 1 | 1 | — |
| 16 | 376/060 | Valve, throttle (3 1/2 cutaway) ... .. | 1 | 1 | 1 | 1 | 2 |
| 17 | 376/061 | Spring, throttle valve ... ..          | 1 | 1 | 1 | 1 | — |
| 18 | 376/132 | Spring, throttle valve ... ..          | — | — | — | — | 2 |
| 19 | 376/068 | Screw, throttle stop ... ..            | 1 | 1 | 1 | 1 | 2 |
| 20 | 376/069 | Spring, throttle stop screw ... ..     | 1 | 1 | 1 | 1 | 2 |
| 21 | 332/017 | Screw, air adjusting ... ..            | 1 | 1 | 1 | 1 | 2 |
| 22 | 4/148   | Spring, air adjusting screw ... ..     | 1 | 1 | 1 | 1 | 2 |
| 23 | 376/100 | Jet, main (220) ... ..                 | — | 1 | — | — | — |
|    | 376/100 | Jet, main (240) ... ..                 | — | — | — | — | 2 |
|    | 376/100 | Jet, main (250) ... ..                 | — | — | 1 | 1 | — |
|    | 376/100 | Jet, main (270) ... ..                 | 1 | — | — | — | — |
| 24 | 376/057 | Block, jet, 1 1/8" choke ... ..        | 1 | — | 1 | 1 | 2 |
| 25 | 376/055 | Block, jet, 3/8" choke ... ..          | — | 1 | — | — | — |
| 26 | 376/070 | Peg, jet block locating ... ..         | 1 | 1 | 1 | 1 | 2 |
| 27 | 376/067 | Washer, jet block ... ..               | 1 | 1 | 1 | 1 | 2 |
| 28 | 376/073 | Holder, main jet ... ..                | 1 | 1 | 1 | 1 | — |
| 29 | 376/140 | Holder, main jet ... ..                | — | — | — | — | 2 |
| 30 | 376/074 | Washer, jet holder ... ..              | 1 | 1 | 1 | 1 | 4 |
| 31 | 376/141 | Banjo, petrol inlet ... ..             | — | — | — | — | 2 |
| 32 | 376/075 | Nut, main jet cover ... ..             | 1 | 1 | 1 | 1 | 2 |
| 33 | 376/072 | Jet, needle (1065) ... ..              | 1 | 1 | 1 | 1 | 2 |
| 34 | 376/063 | Needle, jet (type C) ... ..            | 1 | 1 | 1 | 1 | 2 |
| 35 | 4/230   | Clip, jet needle ... ..                | 1 | 1 | 1 | 1 | 2 |
| 36 | 376/076 | Jet, pilot (25) ... ..                 | 1 | 1 | 1 | 1 | 2 |



# GROUP 31 – AMAL CARBURETTOR

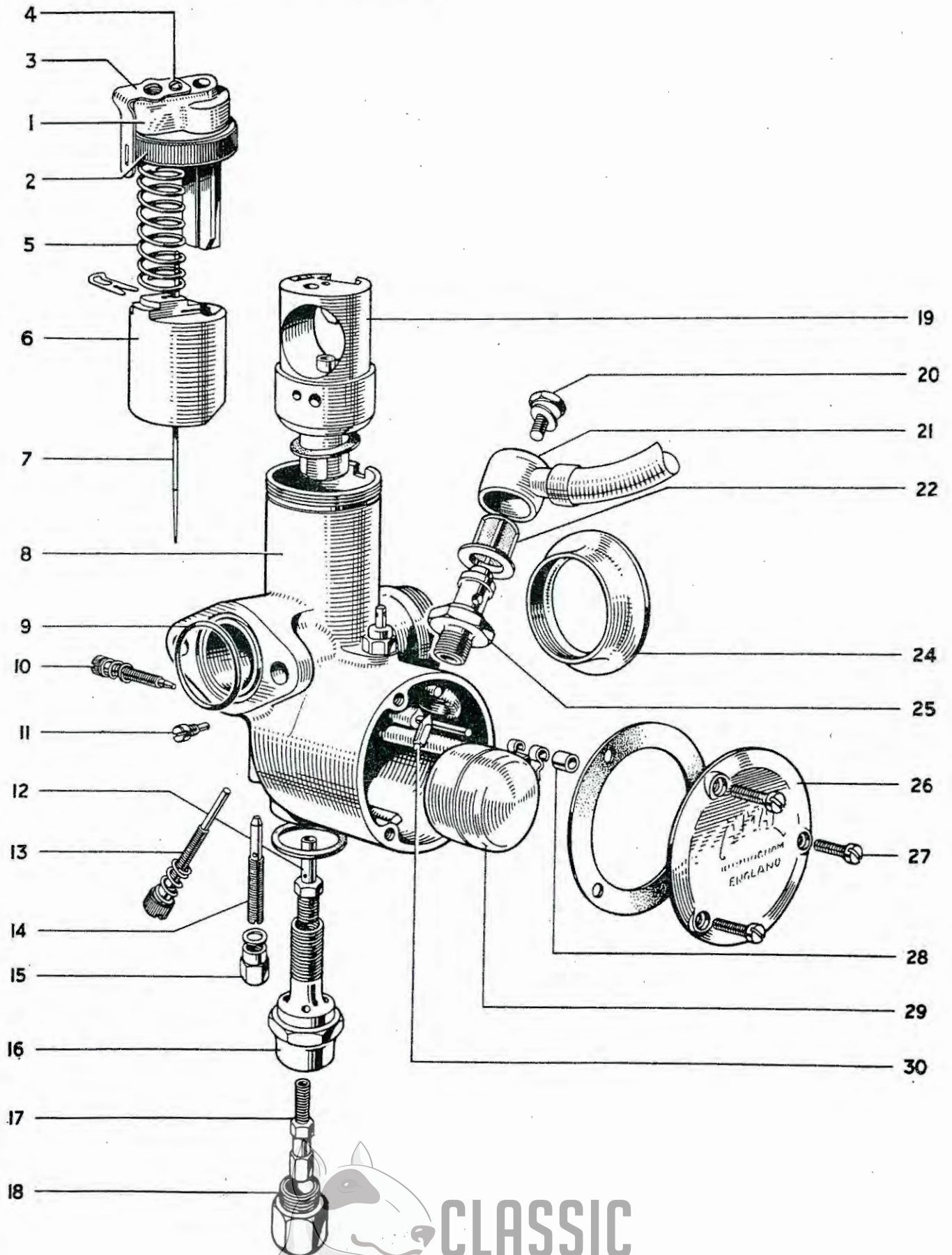
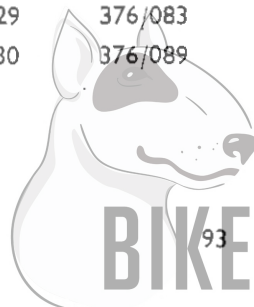


FIG. 29. AMAL CARBURETTOR

## INDEX FIG. 29

| Illust. No. | Part No. | Page No. | Ref. No. |
|-------------|----------|----------|----------|
| 1           | 376/107  | 91       | 8        |
| 2           | 376/065  | 91       | 9        |
| 3           | 4/276    | 91       | 10       |
| 4           | 4/241    | 91       | 11       |
| 5           | 376/061  | 91       | 17       |
|             | 376/132  | 91       | 18       |
| 6           | 376/060  | 91       | 16       |
| 7           | 376/063  | 91       | 34       |
| 8           | 376/003  | 91       | 5        |
|             | 376/001  | 91       | 6        |
|             | 376/030  | 91       | 7        |
| 9           | 244/1048 | 94       | 22       |
| 10          | 332/017  | 91       | 21       |
| 11          | 376/070  | 91       | 26       |
| 12          | 376/072  | 91       | 33       |
| 13          | 376/068  | 91       | 19       |
| 14          | 376/076  | 91       | 36       |
| 15          | 376/095  | 94       | 2        |
| 16          | 376/073  | 91       | 28       |
|             | 376/140  | 91       | 29       |
| 17          | 376/100  | 91       | 23       |
| 18          | 375/075  | 91       | 32       |
| 19          | 376/057  | 91       | 24       |
|             | 376/055  | 91       | 25       |
| 20          | 376/091  | 94       | 15       |
| 21          | F4450    | 71       | 40       |
| 22          | 376/093  | 94       | 14       |
| 24          | 376/066  | 94       | 27       |
| 25          | 376/088  | 94       | 13       |
| 26          | 376/077  | 94       | 5        |
| 27          | 376/079  | 94       | 7        |
|             | 376/151  | 94       | 8        |
| 28          | 376/094  | 94       | 11       |
| 29          | 376/083  | 94       | 9        |
| 30          | 376/089  | 94       | 12       |



# GROUP 31 – AMAL CARBURETTER

| REF. No. | PART No. | DESCRIPTION  | 6T | T100 | T110 | TR6 | T120 |
|----------|----------|--|----|------|------|-----|------|
| 1        | 116/162  | Washer, pilot jet cover nut ... ..                                   | 1  | 1    | 1    | 1   | 2    |
| 2        | 376/095  | Nut, pilot jet cover ... ..  | 1  | 1    | 1    | 1   | 2    |
| 3        | 4/035    | Adjuster, air cable ... ..   | 1  | 1    | 1    | 1   | —    |
| 4        | 6/132A   | Ferrule, throttle cable ... ..                                       | 1  | 1    | 1    | 1   | 2    |
| 5        | 376/077  | Cover, float chamber ... ..  | 1  | 1    | 1    | 1   | 2    |
| 6        | 376/078  | Washer, cover joint ... ..   | 1  | 1    | 1    | 1   | 2    |
| 7        | 376/079  | Screw, float chamber cover ... ..                                    | 3  | 3    | 3    | 3   | —    |
| 8        | 376/151  | Screw, float chamber cover ... ..                                    | —  | —    | —    | —   | 6    |
| 9        | 376/083  | Float ... ..   | 1  | 1    | 1    | 1   | —    |
| 10       | 376/085  | Spindle, float hinge ... ..  | 1  | 1    | 1    | 1   | —    |
| 11       | 376/094  | Bush, float spindle ... ..   | 1  | 1    | 1    | 1   | —    |
| 12       | 376/089  | Needle, valve ... ..   | 1  | 1    | 1    | 1   | —    |
| 13       | 376/088  | Seating, valve needle ... ..   | 1  | 1    | 1    | 1   | —    |
| 14       | 376/093  | Gauge, filter ... ..   | 1  | 1    | 1    | 1   | —    |
| 15       | 376/091  | Bolt, banjo ... ..   | 1  | 1    | 1    | 1   | —    |
| 16       | 376/092  | Washer, banjo bolt ... ..  | 1  | 1    | 1    | 1   | —    |
| 17       | 376/086  | Tickler ... ..   | 1  | 1    | 1    | 1   | —    |
| 18       | 343/011  | Body, tickler ... ..   | 1  | 1    | 1    | 1   | —    |
| 19       | 376/087  | Spring, tickler ... ..   | 1  | 1    | 1    | 1   | —    |
| 20       | NA43A    | Washer, insulating block to manifold ... ..                          | —  | 1    | 1    | 1   | —    |
| 21       | E2968    | Block, insulating ... ..   | —  | 1    | 1    | 1   | —    |
| 22       | 244/1048 | “O” ring seal, carburetter ... ..                                    | 1  | 1    | 1    | 1   | 2    |
| 23       | F2603    | Bolt, carburetter to head ... ..                                     | —  | —    | —    | —   | 4    |
| 24       | S25-3    | Washer, plain ... ..   | —  | —    | —    | —   | 4    |
| 25       | S26-3    | Washer, spring ... ..  | —  | —    | —    | —   | 4    |
| 26       | S1-51    | Nut, carburetter bolt ... ..   | —  | —    | —    | —   | 4    |
| 27       | 376/066  | Tube, air intake ... ..<br>(For use when air filter is disconnected) | A  | A    | A    | A   | 2    |
| 28       | 14/617   | Float chamber, complete ... ..                                       | —  | —    | —    | —   | 1    |
| 29       | 14/363   | Body, float chamber ... ..   | —  | —    | —    | —   | 1    |
| 30       | 14/297   | Cover, float chamber ... ..  | —  | —    | —    | —   | 1    |
| 31       | 14/366   | Needle, float ... ..   | —  | —    | —    | —   | 1    |
| 32       | 14/017   | Float ... ..   | —  | —    | —    | —   | 1    |
| 33       | 161/054  | Clip, float needle ... ..  | —  | —    | —    | —   | 1    |
| 34       | 14/209   | Tickler ... ..   | —  | —    | —    | —   | 1    |
| 35       | 14/210   | Stop, tickler ... ..   | —  | —    | —    | —   | 1    |
| 36       | 14/032   | Spring, tickler ... ..   | —  | —    | —    | —   | 1    |
| 37       | 14/289   | Cotter, tickler ... ..   | —  | —    | —    | —   | 1    |



# AMAL CARBURETTER — GROUP 31

## CHAINS — GROUP 32

| REF. No. | PART No. | DESCRIPTION          | 6T | T100 | T110 | TR6 | T120 |
|----------|----------|----------------------|----|------|------|-----|------|
| 1        | 14/219   | Union, outlet ... .. | —  | —    | —    | —   | 1    |
| 2        | 14/336   | Washer, fibre ... .. | —  | —    | —    | —   | 1    |
| 3        | 14/173   | Banjo, outlet ... .. | —  | —    | —    | —   | 1    |
| 4        | 14/036   | Nut, banjo ... ..    | —  | —    | —    | —   | 1    |
| 5        | 14/037   | Washer, banjo ... .. | —  | —    | —    | —   | 2    |

### CARBURETTER FITTINGS

|    |        |   |   |   |   |   |   |
|----|--------|---|---|---|---|---|---|
| 6  | F3746  | Clip, float chamber ... ..                | — | — | — | — | 1 |
| 7  | TE164E | Bolt, clip ... ..                         | — | — | — | — | 1 |
| 8  | TE164C | "D" nut ... ..                            | — | — | — | — | 1 |
| 9  | TE164D | "D" washer ... ..                         | — | — | — | — | 1 |
| 10 | F3740  | Block, float chamber mounting ... ..      | — | — | — | — | 1 |
| 11 | F3745  | Clip, block to frame ... ..               | — | — | — | — | 2 |
| 12 | F1149  | Bolt, clip ... ..                         | — | — | — | — | 2 |
| 13 | E1612  | Washer, serrated ... ..                   | — | — | — | — | 2 |
| 14 | F879   | Nut ... ..                                | — | — | — | — | 2 |
| 15 | F4539  | Petrol pipe assembly (lines 16-20) ... .. | — | — | — | — | 2 |
| 16 | F4525  | Petrol pipe, rubber ... ..                | — | — | — | — | 2 |
| 17 | F3353  | Elbow, obtuse ... ..                      | — | — | — | — | 2 |
| 18 | F3335  | Elbow 90° ... ..                          | — | — | — | — | 2 |
| 19 | F3337  | Nut, union ... ..                         | — | — | — | — | 4 |
| 20 | E4035  | Clip ... ..                               | — | — | — | — | 4 |
| 21 | F4540  | Petrol pipe assembly (lines 22-24) ... .. | — | — | — | — | 1 |
| 22 | F4526  | Petrol pipe, rubber ... ..                | — | — | — | — | 3 |
| 23 | F4356  | "T" piece, steel ... ..                   | — | — | — | — | 1 |
| 24 | E4035  | Clip ... ..                               | — | — | — | — | 6 |

### CHAINS—GROUP 32

|    |           |   |   |   |   |   |   |
|----|-----------|---|---|---|---|---|---|
| 25 | D301      | Chain, primary 70L × 1/2" × 5/16" (solo) ... .. | 1 | 1 | 1 | 1 | 1 |
| 26 | D304      | Chain, rear 100L × 5/8" × 3/8" ... ..           | — | 1 | — | — | — |
| 27 | D310      | Chain, rear 101L × 5/8" × 3/8" ... ..           | 1 | — | 1 | 1 | 1 |
| 28 | 110046/49 | Kit, primary, chain spare parts ... ..          | 1 | 1 | 1 | 1 | 1 |
| 29 | 110056/59 | Kit, rear, chain spare parts ... ..             | 1 | 1 | 1 | 1 | 1 |

When replacing primary chain use 68 links for 500 c.c. sidecar machines.

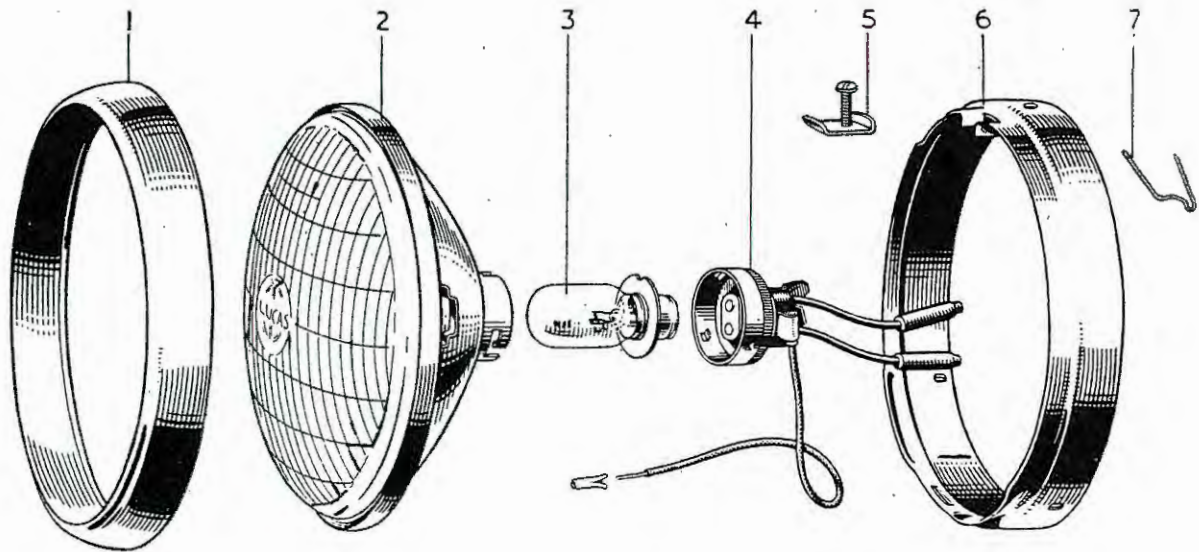








**GROUP 33 – LUCAS LIGHTING AND IGNITION EQUIPMENT  
(DYNAMO AND MAGNETO)**



**FIG. 30. HEAD LAMP**

**INDEX FOR DYNAMO CONDITION**

**INDEX FOR "D.C." CONDITION (T100, T110, TR5 & TR6)**

| Illust. No. | Part No. | Page No. | Ref. No. | Illust. No. | Part No. | Page No. | Ref. No. |
|-------------|----------|----------|----------|-------------|----------|----------|----------|
| 1           | 553248   | 97       | 2        | 4           | 554602   | 97       | 6        |
| 2           | 555309   | 97       | 4        | 5           | 534296   | 97       | 3        |
|             | 516798   | 97       | 16       | 6           | 553267   | 97       | 5        |
| 3           | 373      | 97       | 8        | 7           | 504665   | 97       | 7        |
|             | 312      | 97       | 19       |             |          |          |          |

**INDEX FOR "AC" CONDITION (5T & 6T)**

| Illust. No. | Part No. | Page No. | Ref. No. | Illust. No. | Part No. | Page No. | Ref. No. |
|-------------|----------|----------|----------|-------------|----------|----------|----------|
| 1           | 553248   | 105      | 15       | 5           | 534296   | 105      | 16       |
| 2           | 555309   | 105      | 17       | 6           | 553267   | 105      | 18       |
| 3           | 373      | 105      | 21       | 7           | 504665   | 105      | 20       |
| 4           | 554602   | 105      | 19       |             |          |          |          |



# GROUP 33 — LUCAS LIGHTING AND IGNITION EQUIPMENT (DYNAMO AND MAGNETO)

| REF. No.             | PART No. | DESCRIPTION                                    | 6T             | T100            | T110     | TR6      | T120     |          |             |
|----------------------|----------|--|----------------|-----------------|----------|----------|----------|----------|-------------|
| <b>MAGNETO</b>       |          |  |                |                 |          |          |          |          |             |
| 1                    | 42298    | Magneto, K2F manual advance and retard ... ..  | —              | 1               | 1        | 1        | 1        |          |             |
| 2                    | 42344    | Magneto, K2F auto advance and retard ... ..    | —              | A               | A        | A        | A        |          |             |
| 3                    | 42350    | Magneto, K2FC manual advance and retard ... .. | —              | A               | A        | A        | A        |          |             |
| 4                    | 42368    | Magneto, K2FC auto advance and retard ... ..   | —              | A               | A        | A        | A        |          |             |
| 5                    | 43234    | Magneto, K2FR (racing) ... ..                  | —              | A               | A        | A        | A        |          |             |
| <b>MAGNETO PARTS</b> |          |  |                |                 |          |          |          |          |             |
|                      |          |  | <u>Magneto</u> | <u>Ref. No.</u> | <u>1</u> | <u>2</u> | <u>3</u> | <u>4</u> | <u>5</u>    |
| 6                    | 458876   | Pick up with brush and spring ... ..           | 2              | 2               | 2        | 2        | 2        | 2        | 2           |
| 7                    | 458877   | Washer, pick up seating ... ..                 | 2              | 2               | 2        | 2        | 2        | 2        | 2           |
| 8                    | 451260   | Brush and spring ... ..                        | 2              | 2               | 2        | 2        | 2        | 2        | 2           |
| 9                    | 410600   | Nut, moulded ... ..                            | 2              | 2               | 2        | 2        | 2        | 2        | 2           |
| 10                   | 145074   | Screw, pick-up fixing ... ..                   | 4              | 4               | 4        | 4        | 4        | 4        | 4           |
| 11                   | 458658   | Grommet, rubber ... ..                         | 2              | 2               | 2        | 2        | 2        | 2        | 2           |
| 12                   | 459269   | Cover, assembly contact breaker ... ..         | 1              | 1               | —        | —        | —        | —        | —           |
| 13                   | 459266   | Cap moulded, breather ... ..                   | 1              | 1               | —        | —        | —        | —        | —           |
| 14                   | 459888   | Terminal assembly ... ..                       | 1              | 1               | —        | —        | —        | —        | —           |
| 15                   | 459205   | Cover assembly, contact breather ... ..        | —              | —               | 1        | 1        | 1        | 1        | 1           |
| 16                   | 459194   | Cap, breather ... ..                           | —              | —               | 1        | 1        | 1        | 1        | 1           |
| 17                   | 455190   | Brush and spring ... ..                        | 1              | 1               | 1        | 1        | 1        | 1        | 1           |
| 18                   | 457681   | Cover washer, rubber ... ..                    | 1              | 1               | 1        | 1        | 1        | 1        | 1           |
| 19                   | 122160   | Screw, contact breaker fixing ... ..           | 1              | 1               | 1        | 1        | 1        | 1        | 1           |
| 20                   | 470534   | Contact breaker ... ..                         | 1              | 1               | 1        | 1        | 1        | —        | —           |
| 21                   | 470609   | Contact set ... ..                             | 1              | 1               | 1        | 1        | 1        | —        | —           |
| 22                   | 470914   | Contact breaker ... ..                         | —              | —               | —        | —        | —        | 1        | 1           |
| 23                   | 470688   | Spring, set, contact actuating ... ..          | 1              | 1               | 1        | 1        | 1        | —        | —           |
| 24                   | 470537   | Brush and spring, C.B. earthing ... ..         | 1              | 1               | 1        | 1        | 1        | 1        | 1           |
| 25                   | 492195   | Control parts set ... ..                       | 1              | —               | —        | —        | —        | —        | —           |
| 26                   | 459305   | Control parts set ... ..                       | —              | —               | 1        | —        | —        | —        | —           |
| 27                   | 457117   | Control parts set ... ..                       | —              | —               | —        | —        | —        | 1        | 1           |
| 28                   | 454475   | Cap, rubber ... ..                             | 1              | —               | 1        | —        | —        | —        | —           |
| 29                   | 458725   | Cam ... ..                                     | 1              | —               | 1        | —        | —        | —        | —           |
| 30                   | 459130   | Cam ... ..                                     | —              | 1               | —        | 1        | —        | —        | —           |
| 31                   | 459271   | End plate with bearing ring ... ..             | 1              | —               | 1        | —        | —        | —        | —           |
| 32                   | 493716   | End plate with bearing ring ... ..             | —              | 1               | —        | 1        | —        | —        | —           |
| 33                   | 463932   | Cup, bearing insulating ... ..                 | 1              | 1               | 1        | 1        | 1        | —        | —           |
| 34                   | 150509   | Screw, end plate fixing ... ..                 | 3              | 3               | 3        | 3        | 3        | —        | —           |
| 35                   | 185048   | Spring washer, fixing screw ... ..             | 3              | 3               | 3        | 3        | 3        | —        | —           |
| 36                   | 452907   | Shim, .005", end plate packing ... ..          |                |                 |          |          |          |          | As required |



# LUCAS LIGHTING AND IGNITION EQUIPMENT – GROUP 33 (DYNAMO AND MAGNETO)

| REF. No. | PART No. | MAGNETO REF. No. (see opposite page)              | 1           | 2 | 3 | 4 | 5 |  |
|----------|----------|---|-------------|---|---|---|---|--|
| 1        | 459004   | Armature ... ..                                   |             |   | — | — | — |  |
| 2        | 459376   | Armature ... ..                                   | —           | — |   |   | — |  |
| 3        | 455361   | Slip ring ... ..                                  |             |   | — | — | — |  |
| 4        | 456727   | Slip ring ... ..                                  | —           | — |   |   | — |  |
| 5        | 458339   | Condenser ... ..                                  |             |   | — | — | — |  |
| 6        | 189294   | Bearing, C.B. end ... ..                          |             |   |   |   | — |  |
| 7        | 189244   | Bearing, drive end ... ..                         |             |   |   |   | — |  |
| 8        | 459005   | Cup, drive bearing insulating ... ..              |             |   |   |   | — |  |
| 9        | 459002   | Oil seal ... ..                                   |             |   |   |   | — |  |
| 10       | 455191   | Brush, spring and holder, earthing ... ..         |             |   |   |   |   |  |
| 11       | 455190   | Brush and spring, earthing ... ..                 |             |   |   |   |   |  |
| 12       | 458675   | Sundry parts set ... ..                           |             |   |   |   | — |  |
| 13       | 458869   | Sundry parts set ... ..                           | —           | — | — | — |   |  |
| 14       | 47502    | Auto advance unit complete ... ..                 | As required |   |   |   |   |  |
| 15       | E2741    | Gear magneto, fixed ... ..                        |             |   |   |   |   |  |
| 16       | 170104   | Nut, magneto gear, $\frac{3}{8}$ " std. ... ..    |             |   |   |   |   |  |
| 17       | E1330    | Washer, magneto gear, $\frac{3}{8}$ " std. ... .. |             |   |   |   |   |  |

With the exception of the parts listed above, no spares are supplied separately for the racing magneto 42324. For repair it should be returned to :—

**RACING DEPARTMENT,  
JOSEPH LUCAS (SALES & SERVICE) LTD.,  
GREAT HAMPTON STREET,  
BIRMINGHAM, 18.**



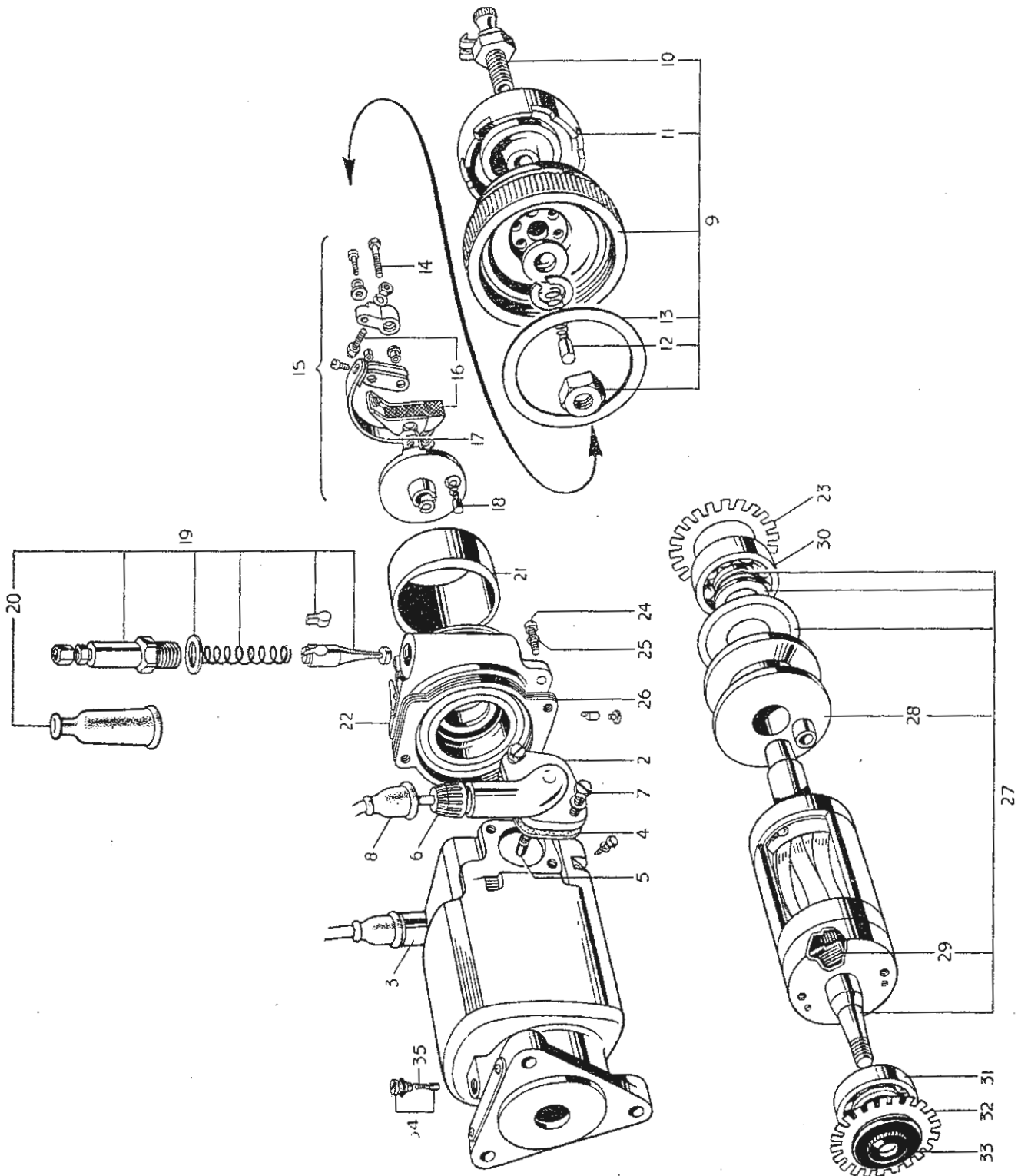
# GROUP 33 – LUCAS LIGHTING AND IGNITION EQUIPMENT (DYNAMO AND MAGNETO)

## INDEX FIG. 31

| <i>Illust. No.</i> | <i>Part No.</i> | <i>Page No.</i> | <i>Ref. No.</i> |
|--------------------|-----------------|-----------------|-----------------|
| 2                  | 458876          | 100             | 6               |
| 3                  | 458876          | 100             | 6               |
| 4                  | 458877          | 100             | 7               |
| 5                  | 451260          | 100             | 8               |
| 6                  | 410600          | 100             | 9               |
| 7                  | 145074          | 100             | 10              |
| 8                  | 458658          | 100             | 11              |
| 9                  | 459269          | 100             | 12              |
|                    | 459205          | 100             | 15              |
| 10                 | 459888          | 100             | 14              |
| 11                 | 459266          | 100             | 13              |
| 12                 | 455190          | 100             | 17              |
| 13                 | 457681          | 100             | 18              |
| 14                 | 122160          | 100             | 19              |
| 15                 | 470534          | 100             | 20              |
|                    | 470914          | 100             | 22              |
| 16                 | 470609          | 100             | 21              |
| 17                 | 470688          | 100             | 23              |
| 18                 | 470537          | 100             | 24              |
| 19                 | 492195          | 100             | 25              |
|                    | 459305          | 100             | 26              |
|                    | 457117          | 100             | 27              |
| 20                 | 454475          | 100             | 28              |
| 21                 | 458725          | 100             | 29              |
|                    | 459130          | 100             | 30              |
| 22                 | 459271          | 100             | 31              |
|                    | 493716          | 100             | 32              |
| 23                 | 463932          | 100             | 33              |
| 24                 | 150509          | 100             | 34              |
| 25                 | 185048          | 100             | 35              |
| 26                 | 452907          | 100             | 36              |
| 27                 | 459004          | 101             | 1               |
|                    | 459376          | 101             | 2               |
| 28                 | 455361          | 101             | 3               |
|                    | 456727          | 101             | 4               |
| 29                 | 458339          | 101             | 5               |
| 30                 | 189294          | 101             | 6               |
| 31                 | 189244          | 101             | 7               |
| 32                 | 459005          | 101             | 8               |
| 33                 | 459002          | 101             | 9               |
| 34                 | 455191          | 101             | 10              |
| 35                 | 455190          | 101             | 11              |



**LUCAS LIGHTING AND IGNITION EQUIPMENT – GROUP 33  
(DYNAMO AND MAGNETO)**



**FIG. 31. LUCAS MAGNETO**





# LUCAS LIGHTING AND IGNITION EQUIPMENT (ALTERNATOR) — GROUP 34

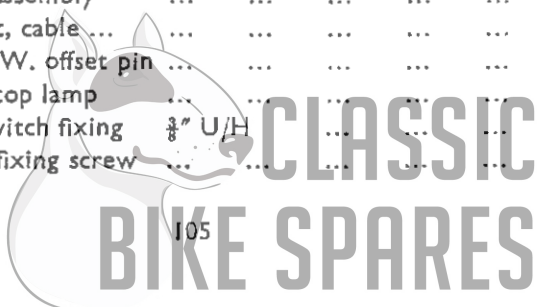
| REF. No. | PART No. | DESCRIPTION                              | 6T | T100 | T110 | TR6 | T120 |
|----------|----------|--|----|------|------|-----|------|
| 1        | 400001   | Base only, distributor ... ..            | 1  | —    | —    | —   | —    |
| 2        | 400164   | Base c/w contact points ... ..           | 1  | —    | —    | —   | —    |
| 3        | 421935   | Shaft and action plate ... ..            | 1  | —    | —    | —   | —    |
| 4        | 420406   | Bushing ... ..                           | 1  | —    | —    | —   | —    |
| 5        | 400843   | Sundry parts set ... ..                  | 1  | —    | —    | —   | —    |
| 6        | 407131   | Toggle ... ..                            | 1  | —    | —    | —   | —    |
| 7        | 410591   | Clip, cover retaining ... ..             | 1  | —    | —    | —   | —    |
| 8        | E3122    | Adaptor, distributor to crankcase ... .. | 1  | —    | —    | —   | —    |
| 9        | SI-51    | Nut, distributor to crankcase ... ..     | 3  | —    | —    | —   | —    |
| 10       | PCE102F  | Bolt, distributor clamp ... ..           | 1  | —    | —    | —   | —    |
| 11       | E2312    | Washer, distributor clamp ... ..         | 1  | —    | —    | —   | —    |
| 12       | E3303    | Cover, distributor protective ... ..     | 1  | —    | —    | —   | —    |

## HEADLAMP (NACELLE TYPE MCF700P)

|    |        |  |   |   |   |   |   |
|----|--------|--|---|---|---|---|---|
| 13 | 51860A | Headlamp assembly ... ..                           | 1 | — | — | — | — |
| 14 | 553248 | Rim, front ... ..                                  | 1 | — | — | — | — |
| 15 | 534296 | Screw and plate, front rim fixing ... ..           | 1 | — | — | — | — |
| 16 | 555309 | Glass and reflector unit ... ..                    | 1 | — | — | — | — |
| 17 | 553267 | Ring, lamp fixing... ..                            | 1 | — | — | — | — |
| 18 | 554602 | Adaptor, bulb ... ..                               | 1 | — | — | — | — |
| 19 | 504665 | Fixing wire, light unit ... ..                     | 6 | — | — | — | — |
| 20 | 373    | Bulb, pre-focus 30/24W (L.H. dipping) ... ..       | 1 | — | — | — | — |
| 21 | 554710 | Pilot bulbholder ... ..                            | 1 | — | — | — | — |
| 22 | 988    | Bulb, pilot 3W. ... ..                             | 1 | — | — | — | — |
| 23 | H689   | Screw, lamp fixing ring $\frac{1}{4}$ " U/H ... .. | 2 | — | — | — | — |
| 24 | H690   | Nut, lamp fixing ring screw ... ..                 | 2 | — | — | — | — |

## TAIL LAMP (STOP LIGHT PATTERN WITH INTEGRAL REFLECTORS) TYPE 564

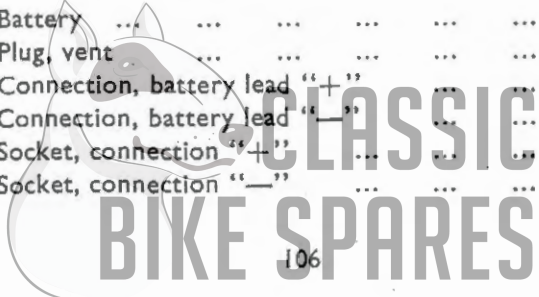
|    |        |   |   |   |   |   |   |
|----|--------|---|---|---|---|---|---|
| 25 | 53432B | Stop and tail lamp ... ..                       | 1 | — | — | — | — |
| 26 | 573839 | Lens ... ..                                     | 1 | — | — | — | — |
| 27 | 575200 | Window ... ..                                   | 1 | — | — | — | — |
| 28 | 575208 | Gasket, lens seating ... ..                     | 1 | — | — | — | — |
| 29 | 575219 | Nut, lens retaining ... ..                      | 2 | — | — | — | — |
| 30 | 576002 | Base assembly ... ..                            | 1 | — | — | — | — |
| 31 | 575209 | Bulbholder assembly ... ..                      | 1 | — | — | — | — |
| 32 | 575207 | Grommet, bulbholder ... ..                      | 1 | — | — | — | — |
| 33 | 573828 | Contact assembly ... ..                         | 1 | — | — | — | — |
| 34 | 573825 | Grommet, cable ... ..                           | 1 | — | — | — | — |
| 35 | 384    | Bulb 3/18W. offset pin ... ..                   | 1 | — | — | — | — |
| 36 | 31383  | Switch, stop lamp ... ..                        | 1 | — | — | — | — |
| 37 | H687   | Screw, switch fixing $\frac{3}{8}$ " U/H ... .. | 2 | — | — | — | — |
| 38 | GS299  | Washer, fixing screw ... ..                     | 2 | — | — | — | — |





# GROUP 34 – LUCAS LIGHTING AND IGNITION EQUIPMENT (ALTERNATOR)

| REF. No.                           | PART No. | DESCRIPTION   | 6T | T100 | T110 | TR6 | T120 |
|------------------------------------|----------|---|----|------|------|-----|------|
| <b>WIRING HARNESS</b>              |          |   |    |      |      |     |      |
| 1                                  | 838601   | Harness, wiring ... ..                                  | 1  | —    | —    | —   | —    |
| 2                                  | 838604   | Lead, twin stop/tail lamp ... ..                        | 1  | —    | —    | —   | —    |
| 3                                  | 414965   | Grommet, Distributor lead ... ..                        | 1  | —    | —    | —   | —    |
| 4                                  | 236741   | Grommet, L.T. Coil lead ... ..                          | 2  | —    | —    | —   | —    |
| 5                                  | 458658   | Grommet, Distributor plug leads ... ..                  | 2  | —    | —    | —   | —    |
| <b>NACELLE INSTRUMENT PANEL</b>    |          |   |    |      |      |     |      |
| 6                                  | 31443B   | Switch, lighting and ignition ... ..                    | 1  | —    | —    | —   | —    |
| 7                                  | 318346   | Knob, light switch ... ..                               | 1  | —    | —    | —   | —    |
| 8                                  | 319333   | Screw, knob fixing ... ..                               | 1  | —    | —    | —   | —    |
| 9                                  | 318343   | Plate, switch position index ... ..                     | 1  | —    | —    | —   | —    |
| 10                                 | 318323   | Grommet, switch for key ... ..                          | 1  | —    | —    | —   | —    |
| 11                                 | 318341   | Key, ignition ... ..                                    | 1  | —    | —    | —   | —    |
| 12                                 | 36189A   | Ammeter ... ..  | 1  | —    | —    | —   | —    |
| <b>HORN PUSH AND DIPPER SWITCH</b> |          |   |    |      |      |     |      |
| 13                                 | 31563A   | Switch, dipper and horn push ... ..                     | 1  | —    | —    | —   | —    |
| 14                                 | H689     | Screw, switch to lever clamp $\frac{1}{4}$ " U/H ... .. | 2  | —    | —    | —   | —    |
| 15                                 | 863082   | Cable (4 core), dipper and horn push ... ..             | 1  | —    | —    | —   | —    |
| <b>HORN</b>                        |          |   |    |      |      |     |      |
| 16                                 | 70048A   | Horn, complete ... ..                                   | 1  | —    | —    | —   | —    |
| 17                                 | 701851   | Bracket, horn ... ..                                    | 2  | —    | —    | —   | —    |
| 18                                 | 700920   | Bracket, horn angle ... ..                              | 1  | —    | —    | —   | —    |
| 19                                 | 142689   | Screw, horn bracket ... ..                              | 2  | —    | —    | —   | —    |
| 20                                 | 185051   | Washer, horn bracket ... ..                             | 2  | —    | —    | —   | —    |
| 21                                 | DS57     | Bolt, horn bracket to lug $\frac{7}{16}$ " U/H ... ..   | 2  | —    | —    | —   | —    |
| 22                                 | S26-2    | Washer, horn bracket to lug ... ..                      | 2  | —    | —    | —   | —    |
| <b>BATTERY (TYPE PU7E-9)</b>       |          |   |    |      |      |     |      |
| 23                                 | PU7E-9   | Battery ... ..  | 1  | —    | —    | —   | —    |
| 24                                 | 4179504  | Plug, vent ... ..                                       | 3  | —    | —    | —   | —    |
| 25                                 | 4189048  | Connection, battery lead "+" ... ..                     | 1  | —    | —    | —   | —    |
| 26                                 | 4189040  | Connection, battery lead "-" ... ..                     | 1  | —    | —    | —   | —    |
| 27                                 | 4188743  | Socket, connection "+" ... ..                           | 1  | —    | —    | —   | —    |
| 28                                 | 4188744  | Socket, connection "-" ... ..                           | 1  | —    | —    | —   | —    |





**GROUP 37 — SPEEDOMETER**  
**GROUP 38 — SUSPENSION UNIT**

| REF. No. | PART No. | DESCRIPTION                               | 6T | T100 | T110 | TR6 | T120 |
|----------|----------|---|----|------|------|-----|------|
| 1        | P53279/1 | Bulb holder c/w bulb ... ..               | 1  | 1    | 1    | 1   | 1    |
| 2        | P52305   | Bulb holder ... ..                        | 1  | 1    | 1    | 1   | 1    |
| 3        | P.22469  | Rubber ring, speedometer head ... ..      | 1  | 1    | 1    | —   | 1    |
| 4        | 25578/2  | Clamp bar ... ..                          | 1  | 1    | 1    | —   | 1    |
| 5        | N1253    | Nut, clamp bar ... ..                     | 2  | 2    | 2    | —   | 2    |
| 6        | DS40     | Bracket, speedometer head ... ..          | —  | —    | —    | 1   | —    |
| 7        | F1369    | Bolt, bracket, $\frac{5}{8}$ " U/H ... .. | —  | —    | —    | 2   | —    |
| 8        | H1015    | Distance piece ... ..                     | —  | —    | —    | 2   | —    |
| 9        | S26-2    | Washer, spring ... ..                     | —  | —    | —    | 2   | —    |

**SPEEDOMETER DRIVE**

|    |       |  |   |   |   |   |   |
|----|-------|--|---|---|---|---|---|
| 10 | T924  | Pinion, standard ratio layshaft 10T ... .. | 1 | 1 | 1 | 1 | 1 |
| 11 | T973  | Pinion, wide ratio layshaft 8T ... ..      | A | A | A | A | A |
| 12 | T925  | Peg, pinion to layshaft ... ..             | 1 | 1 | 1 | 1 | 1 |
| 13 | T934  | Gear, standard ratio driven 16T ... ..     | 1 | 1 | 1 | 1 | 1 |
| 14 | T975  | Gear, wide ratio driven 15T ... ..         | A | A | A | A | A |
| 15 | T825  | Washer, gear thrust ... ..                 | 1 | 1 | 1 | 1 | 1 |
| 16 | D245  | Cable, speedometer drive (44" long) ... .. | 1 | 1 | 1 | — | 1 |
| 17 | D245A | Cable, speedometer drive (44" long) ... .. | — | — | — | 1 | — |
| 18 | F3098 | Clip, speedometer cable ... ..             | 1 | 1 | 1 | 1 | 1 |

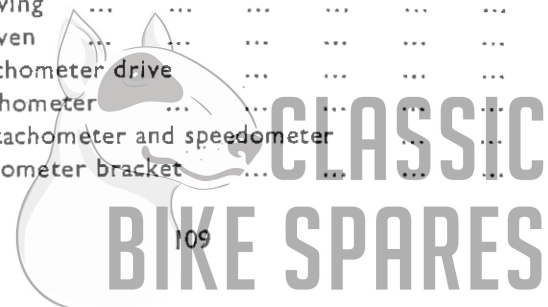
**SUSPENSION UNIT (GIRLING)—GROUP 38**

|    |           |  |   |   |   |   |   |
|----|-----------|--|---|---|---|---|---|
| 19 | SB4/279   | Suspension unit ... ..                                 | 2 | 2 | 2 | — | 2 |
| 20 | SB4/259   | Suspension unit ... ..                                 | — | — | — | 2 | — |
| 21 | SB4/275   | Suspension unit (sidecar) ... ..                       | A | A | A | — | — |
| 22 | 9054/316A | Bonded bush and sleeve ... ..                          | 4 | 4 | 4 | 4 | 4 |
| 23 | 9054/171  | Spring retainer ... ..                                 | 4 | 4 | 4 | 4 | 4 |
| 24 | 9054/151  | Dirt shield, outer ... ..                              | 2 | 2 | 2 | 2 | 2 |
| 25 | 9054/47   | Dirt shield, inner ... ..                              | 2 | 2 | 2 | 2 | 2 |
| 26 | SA193/57  | Spring 150 lbs. (sidecar) blue/red ... ..              | A | A | A | A | A |
| 27 | 9054/63   | Spring 130 lbs. rate, red/yellow ... ..                | A | A | A | A | A |
| 28 | 9054/70   | Spring 110 lbs. rate, purple/blue ... ..               | A | A | A | A | A |
| 29 | 9054/280  | Spring 100 lbs. rate, green/green ... ..               | 2 | 2 | 2 | 2 | 2 |
| 30 | 9054/69   | Spring 90 lbs. rate (road racing), yellow/white ... .. | A | A | A | A | A |
| 31 | E2113     | Bolt, unit fixing, $1\frac{1}{8}$ " U/H ... ..         | 4 | 4 | 4 | 4 | 4 |
| 32 | S25-2     | Washer, lower bolt only ... ..                         | 2 | 2 | 2 | 2 | 2 |
| 33 | PO172A    | Nut, unit fixing bolt ... ..                           | 4 | 4 | 4 | 4 | 4 |
| 34 | S26-1     | Washer, fixing bolt nut ... ..                         | 4 | 4 | 4 | 4 | 4 |



# HIGH PERFORMANCE PARTS — GROUP 39

| REF. No.   | PART No. | DESCRIPTION   | REMARKS                 |
|--|----------|---|-------------------------|
| <b>ENGINE</b>  |          |   |                         |
| 1  | CPI35    | Piston, complete, CR 8 : 1 ... ..                       | 500 c.c. models         |
| 2  | CPI33    | Piston, complete, CR 8.5 : 1 ... ..                     | " "                     |
| 3  | CPI61    | Piston, complete, CR 9 : 1 ... ..                       | " "                     |
| 4  | CPI34    | Piston, complete, CR 9.5 : 1 ... ..                     | " "                     |
| 5  | CPI32    | Piston, complete, CR 12 : 1 ... ..                      | " "                     |
| 6  | CPI63    | Piston, complete, CR 8 : 1 ... ..                       | 650 c.c. "              |
| 7  | CPI57    | Piston, complete, CR 8.5 : 1 ... ..                     | " "                     |
| 8  | CPI60    | Piston, complete, CR 12 : 1 ... ..                      | " "                     |
| <b>CAMSHAFTS AND VALVE GEAR</b>                        |          |   |                         |
| 9  | E1486R   | Wheel, inlet and exhaust camshaft ... ..                | 3 keyway                |
| 10   | E3134    | Camshaft, inlet and exhaust ... ..                      | } Must be used together |
| 11   | E3059R   | Tappet, inlet and exhaust ... ..                        |                         |
| 12   | E3411    | Gear, magneto ... ..                                    | Steel                   |
| 13   | E3001    | Valve, spring inner ... ..                              | } Interference fit      |
| 14   | E3002    | Valve, spring outer ... ..                              |                         |
| 15   | E3827    | Valve guide, inlet ... ..                               | Bronze                  |
| 16   | E3828    | Valve guide, exhaust ... ..                             | Bronze                  |
| <b>CYLINDER HEAD (SPLAYED PORT)</b>                    |          |   |                         |
| 17   | E3663    | Head cylinder c/w guides and adaptors ... ..            | 500 c.c. models         |
| 18   | E3766    | Valve, inlet c/w guides and adaptors ... ..             | " "                     |
| 19   | E1956    | Valve, exhaust c/w guides and adaptors ... ..           | " "                     |
| 20   | E3844    | Adaptor, carburetter c/w guides and adaptors ... ..     | " "                     |
| 21   | E3847    | Locknut, adaptor c/w guides and adaptors ... ..         | " "                     |
| 22   | E2961    | Adaptor, exhaust pipe c/w guides and adaptors ... ..    | " "                     |
| 23   | E3646    | Tube, push rod cover ... ..                             | " "                     |
| 24   | E3550    | Box, inlet rocker ... ..                                | " "                     |
| 25   | E3551    | Box, exhaust rocker ... ..                              | " "                     |
| 26   | E3552    | Gasket, rocker box joint ... ..                         | " "                     |
| 27   | E2982    | Bolt, rocker box to head, 2 $\frac{5}{16}$ " U/H ... .. | " "                     |
| <b>TACHOMETER DRIVE (WITH GENERATOR) KIT No. CPI62</b> |          |   |                         |
| 28   | E3677    | Cover, timing gears ... ..                              | 2 off                   |
| 29   | E3678    | Grub screw ... ..                                       |                         |
| 30   | E3679    | Housing, driving gear ... ..                            |                         |
| 31   | E3682    | Housing, driven gear ... ..                             |                         |
| 32   | E3685    | Nut, camshaft, L.H. ... ..                              |                         |
| 33   | E3686    | Gear, driving ... ..                                    |                         |
| 34   | E2749    | Gear, driven ... ..                                     |                         |
| 35   | 5209/5   | Cable, tachometer drive ... ..                          |                         |
| 36   | RC109    | Head, tachometer ... ..                                 |                         |
| 37   | H1083    | Bracket, tachometer and speedometer ... ..              |                         |
| 38   | H1086    | Bolt, tachometer bracket ... ..                         |                         |



# GROUP 39 – HIGH PERFORMANCE PARTS

| REF. No.  | PART No. | DESCRIPTION                            | REMARKS                  |
|---|----------|--|--------------------------|
| <b>TACHOMETER DRIVE (WITHOUT GENERATOR)</b>   |          |  |                          |
| 1   | E3022    | Gearbox, tachometer drive ... ..       |                          |
| 2   | E3050    | “O” ring seal ... ..                   |                          |
| 3   | E3010    | Washer, gearbox joint ... ..           |                          |
| 4   | E2994    | Pinion, gearbox drive ... ..           |                          |
| 5   | GS297    | Nut, drive pinion ... ..               |                          |
| 6   | E2995    | Bolt ... ..                            |                          |
| 7   | H430     | Washer, fibre ... ..                   |                          |
| 8   | E2996    | Screw ... ..                           |                          |
| 9   | E2997    | Nut ... ..                             |                          |
| 10  | E1612    | Washer ... ..                          |                          |
| 11  | 52091/5  | Cable, tachometer drive ... ..         |                          |
| 12  | RC126    | Head, tachometer ... ..                |                          |
| <b>GEARBOX</b>  |          |  |                          |
| 13  | T4275    | Nut, clutch spring ... ..              | Steel                    |
| 14  | T1560    | Spring, clutch pressure ... ..         | Extra-strong             |
| <b>CLOSE RATIO GEARS, KIT No. CP95</b>  |          |  |                          |
| 15  | T1177    | Mainshaft c/w low gear, 18T ... ..     |                          |
| 16  | T1383    | Gear, mainshaft high, 24T ... ..       |                          |
| 17  | T955     | Gear, mainshaft 2nd, 21T ... ..        |                          |
| 18  | T1179    | Gear, mainshaft 3rd, 23T ... ..        |                          |
| 19  | T959     | Layshaft c/w high gear, 22T ... ..     |                          |
| 20  | T961     | Gear, layshaft low, 28T ... ..         |                          |
| 21  | T963     | Gear, layshaft 2nd, 25T ... ..         |                          |
| 22  | T964     | Gear, layshaft, 23T ... ..             |                          |
| 23  | T983     | Plug, speedo drive housing ... ..      | } Alternative            |
| 24  | T948     | Washer, rubber ... ..                  |                          |
| 25  | T1227    | Cap, speedo drive blanking ... ..      | Alternative              |
| To use speedometer with close ratio gears, fit standard drive gears and S467/131 head 1,425 r.p.m., obtainable from Messrs. Smiths. |          |  |                          |
| 26  | T1228    | Pedal, gear change ... ..              |                          |
| 27  | T1229/30 | Kickstarter, folding ... ..            |                          |
| <b>FOOTRESTS</b>  |          |  |                          |
| 28  | F3699    | Support plate, L.H. (silencer) ... ..  | } Alternative            |
| 29  | F3700    | Support plate, R.H. (silencer) ... ..  |                          |
| 30  | F4345    | Support plate, L.H. (megaphone) ... .. | } Alternative            |
| 31  | F4346    | Support plate, R.H. (megaphone) ... .. |                          |
| 32  | F3703    | Peg, support plates ... ..             | 4 off                    |
| 33  | F3702    | Stud, support plates ... ..            | 2 off                    |
| 34  | F3450    | Footrest, L.H. ... ..                  |                          |
| 35  | F3705CTE | Footrest, R.H., folding ... ..         |                          |
| 36  | F3701    | Stud, footrest to plate ... ..         | 2 off                    |
| 37  | H193     | Nut ... ..                             | 4 off                    |
| 38  | F1695    | Rubber, footrest ... ..                | 2 off                    |
| 39  | F3166    | Rod ... ..                             | Replaces footrest hanger |
| 40  | F3707    | Pedal, rear brake ... ..               |                          |



| REF. No.                   | PART No. | DESCRIPTION                          | REMARKS |
|----------------------------|----------|--------------------------------------|---------|
| <b>OIL TANK (1 GALLON)</b> |          |                                      |         |
| 1                          | F4329    | Oil tank ... ..                      |         |
| 2                          | F3796    | Filler cap "captive" ... ..          |         |
| 3                          | F4335    | Pipe, vent (flexible) ... ..         | Long    |
| 4                          | F4330    | Stud, seat lug to backstays ... ..   |         |
| 5                          | F4331    | Nut, R.H. only ... ..                |         |
| 6                          | F4106    | Bracket, bottom fixing ... ..        |         |
| 7                          | F3814    | Cup, top and bottom fixing ... ..    | 4 off   |
| 8                          | F4108    | Rubber, top and bottom fixing ... .. | 2 off   |
| 9                          | F967     | Rubber, top and bottom fixing ... .. | 2 off   |
| 10                         | F3816    | Bolt, oil tank fixing ... ..         | 2 off   |
| 11                         | F3955    | Nut, oil tank fixing ... ..          | 3 off   |
| 12                         | F2417    | Wire, locking ... ..                 | 2 off   |
| 13                         | F4110    | Cup, rear fixing ... ..              | 2 off   |
| 14                         | F4109    | Rubber, rear fixing ... ..           | 1 off   |
| 15                         | F4107    | Rubber, rear fixing ... ..           | 1 off   |

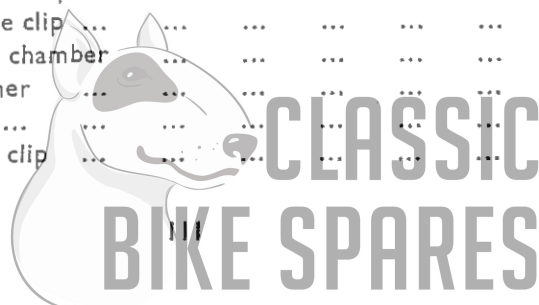
## CARBURETTERS

### Cylinder head fittings for T122 to fit twin carburetters

|    |       |   |   |
|----|-------|---|---|
| 16 | E3006 | Flange, inlet ... ..                          | 1 |
| 17 | E3009 | Sleeve, inlet flange ... ..                   | 2 |
| 18 | E3004 | Stud, flange to head ... ..                   | 4 |
| 19 | E3650 | Joint washer, flange to head ... ..           | 2 |
| 20 | E2728 | Washer, stud ... ..                           | 4 |
| 21 | W103  | Nut, stud ... ..                              | 4 |
| 22 | E2618 | Joint washer, distance piece to flange ... .. | 2 |
| 23 | E3007 | Distance piece, L.H. ... ..                   | 1 |
| 24 | E3008 | Distance piece, R.H. ... ..                   | 1 |
| 25 | E2674 | Stud, carburetter to flange ... ..            | 4 |
| 26 | S1-51 | Nut, carburetter ... ..                       | 4 |
| 27 | S25-3 | Washer ... ..                                 | 4 |
| 28 | NA-43 | Joint washer, carburetter ... ..              | 2 |

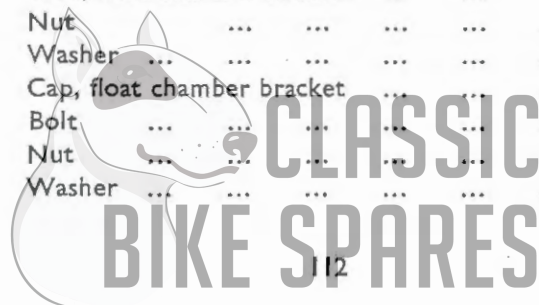
### Type 6 Carburetters

|    |        |   |   |
|----|--------|---|---|
| 29 | 76AO   | Carburetter mixing chamber assembly, L.H. ... |   |
| 30 | 76AN   | Carburetter mixing chamber assembly, R.H. ... |   |
| 31 | 14/538 | Float chamber (remote) ... ..                 |   |
| 32 | F3745  | Clip, frame tube ... ..                       | 2 |
| 33 | F3740  | Block, rubber ... ..                          | 1 |
| 34 | F1149  | Bolt, frame clip ... ..                       | 2 |
| 35 | E1612  | Washer, shakeproof ... ..                     | 2 |
| 36 | W103   | Nut, frame clip ... ..                        | 2 |
| 37 | F3746  | Clip, float chamber ... ..                    | 1 |
| 38 | TE164D | "D" washer ... ..                             | 1 |
| 39 | TE164C | "D" nut ... ..                                | 1 |
| 40 | TE164E | Bolt, float clip ... ..                       | 1 |



# GROUP 39 – HIGH PERFORMANCE PARTS

| REF. No.  | PART No.                            | DESCRIPTION   | REMARKS         |
|---|-------------------------------------|---|-----------------|
| <b>Petrol Pipes Type 6 Carburetters</b>                                 |                                     |   |                 |
| 1   | F3748                               | Pipe, tank to float chamber ... ..                        | 2 off           |
| 2   | F3694                               | Pipe, mixing chambers connecting ... ..                   |                 |
| 3   | F3695                               | Pipe, connecting pipe to float chamber (flexible) ...     |                 |
| 4   | D177-2                              | Clip, flexible pipe ... ..                                | 2 off           |
| <b>Monobloc Carburetters (for 500 c.c. Models without splayed port)</b> |                                     |   |                 |
| 5   | 376/75                              | Carburetter, R.H. with modified float chamber ...         | Amal supply     |
| 6   | 376/74                              | Carburetter, L.H. (376/35 suitable if already fitted) ... | Amal supply     |
| 7   | 376/128                             | Nut, special main jet cover, threaded ... ..              | Amal supply     |
| 8   | F4250                               | Pipe, balance ... ..                                      |                 |
| <b>Petrol Pipes. For standard tank and twin Monobloc carburetters</b>   |                                     |   |                 |
| 9   | F2593                               | Adaptor and gauze ... ..                                  | 2               |
| 10  | F1511                               | Washer, fibre ... ..                                      | 5               |
| 11  | F4286                               | Pipe to T-piece ... ..                                    | 2               |
| 12  | F4289                               | Olive, petrol pipe ... ..                                 | 2               |
| 13  | F4290                               | Nut, petrol pipe ... ..                                   | 2               |
| 14  | F4285                               | T-piece ... ..  | 1               |
| 15  | F4303                               | Tap, petrol ... ..  | 1               |
| 16  | F4291                               | Pipe, tap to carburetters ... ..                          | 1               |
| <b>Monobloc Carburetters (splayed port Models)</b>                      |                                     |   |                 |
| 17  | 376/77                              | Carburetter 1" bore ... ..                                | 500 c.c. models |
| 18  | 376/40                              | Carburetter 1 $\frac{1}{8}$ " bore ... ..                 | 650 c.c. models |
| <b>G.P. Carburetter (500 c.c. splayed port Models)</b>                  |                                     |   |                 |
| 19  | E3671                               | Adaptor, cylinder head ... ..                             | 2               |
| 20  | E3786                               | Connection, rubber ... ..                                 | 2               |
| 21  | 1 $\frac{1}{4}$ "-1 $\frac{3}{4}$ " | Jubilee clip ... ..                                       | 4               |
| 22  | E3675                               | Adaptor, carburetter ... ..                               | 2               |
| 23  | 15GP                                | Carburetter, 1" bore ... ..                               | 2               |
| 24  | 302/11                              | Float chamber (remote) ... ..                             | 1               |
| 25  | F4342                               | Bracket, carburetter and float chamber ... ..             | 1               |
| 26  | F4344                               | Connection, petrol pipe ... ..                            | 1               |
| 27  | E3203                               | Grommet, float chamber bracket ... ..                     |                 |
| 28  | F4341                               | Stud, float chamber bracket ... ..                        |                 |
| 29  | F879                                | Nut ... ..  | 2               |
| 30  | S25-1                               | Washer ... ..   | 2               |
| 31  | F3840                               | Cap, float chamber bracket ... ..                         | 2               |
| 32  | E2593                               | Bolt ... ..   | 1               |
| 33  | S1051                               | Nut ... ..  | 1               |
| 34  | S26-3                               | Washer ... ..   | 1               |



| REF. No.                                | PART No. | DESCRIPTION                               | REMARKS |
|---|----------|---|---------|
| <b>Throttle Cable G.P. Carburetters</b> |          |   |         |
| 1                                       | D379     | Throttle cable assembly ... ..            |         |
| 2                                       | D380     | Cable, handlebar to junction box ... ..   |         |
| 3                                       | 244/104  | Junction box, throttle cable ... ..       |         |
| 4                                       | D381     | Cable, junction box to carburetter ... .. | 2 off   |

**For Type 6 or Monobloc Carburetters use the T120 throttle cable**

## HANDLEBARS

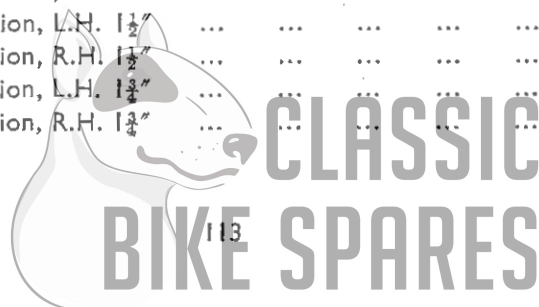
|    |        |                                    |                          |
|----|--------|------------------------------------|--------------------------|
| 5  | H1082  | Handlebar, racing dropped ... ..   | $\frac{7}{8}$ " diameter |
| 6  | 18/557 | Lever, assembly front brake ... .. |                          |
| 7  | 18/556 | Lever assembly, clutch ... ..      |                          |
| 8  | 12/161 | Lever assembly, ignition ... ..    |                          |
| 9  | 16/117 | Twistgrip ... ..                   |                          |
| 10 | 16/069 | Grip, handlebar ... ..             |                          |

## SUSPENSION UNITS

|    |         |   |                    |
|----|---------|---|--------------------|
| 11 | SB4/259 | Suspension unit ( $3\frac{1}{2}$ " stroke) ... .. | Standard on Trophy |
|----|---------|---|--------------------|

## EXHAUST PIPES & MEGAPHONES

|    |           |   |  |
|----|-----------|---|--|
| 12 | E3628     | Pipe, exhaust, L.H. $1\frac{1}{2}$ " ... ..   | } T110 Standard also TR6                       |
| 13 | E3632     | Pipe, exhaust, R.H. $1\frac{1}{2}$ " ... ..   |  |
| 14 | E3817     | Silencer, L.H. (straight through) ... ..      | } T100 Standard with silencers E3817 and E3816 |
| 15 | E3816     | Silencer, R.H. (straight through) ... ..      |  |
| 16 | E3629     | Pipe, exhaust, L.H. $1\frac{1}{2}$ " ... ..   |  |
| 17 | E3633     | Pipe, exhaust, R.H. $1\frac{1}{2}$ " ... ..   |  |
| 18 | E3630     | Pipe, exhaust, L.H. $1\frac{1}{2}$ " ... ..   | } T100   |
| 19 | E3634     | Pipe, exhaust, R.H. $1\frac{1}{2}$ " ... ..   |  |
| 20 | E2734     | Megaphone, L.H. ... ..                        | } T100   |
| 21 | E2735     | Megaphone, R.H. ... ..                        |  |
| 22 | E3479L.H. | Megaphone, L.H. (reverse cone) ... ..         | } T100   |
| 23 | E3479R.H. | Megaphone, R.H. (reverse cone) ... ..         |  |
| 24 | E3778     | Pipe, exhaust, L.H., $1\frac{5}{16}$ " ... .. | } T100   |
| 25 | E3780     | Pipe, exhaust, R.H. $1\frac{5}{16}$ " ... ..  |  |
| 26 | E3782     | Megaphone, L.H. ... ..                        |  |
| 27 | E3783     | Megaphone, R.H. ... ..                        |  |
| 28 | E3023     | Extension, L.H. $1\frac{1}{2}$ " ... ..       |  |
| 29 | E3024     | Extension, R.H. $1\frac{1}{2}$ " ... ..       |  |
| 30 | E3103     | Extension, L.H. $1\frac{3}{4}$ " ... ..       |  |
| 31 | E3104     | Extension, R.H. $1\frac{3}{4}$ " ... ..       |  |





# GROUP 39 — HIGH PERFORMANCE PARTS

| REF. No.         | PART No. | DESCRIPTION  | REMARKS |
|------------------|----------|--|---------|
| <b>MUDGUARDS</b> |          |  |         |
| 1                | H1269    | Mudguard, front ... ..                               | 1       |
| 2                | H1271    | Stay, front ... ..                                   | 1       |
| 3                | H1270    | Bridge, mudguard support ... ..                      | 1       |
| 4                | H1273    | Stay, lower ... ..                                   | 1       |
| 5                | H2335    | Bolt, bridge and stay to fork leg ... ..             | 2       |
| 6                | S25-3    | Washer, plain ... ..                                 | 2       |
| 7                | F929     | Bolt, lower stay to fork leg ... ..                  | 2       |
| 8                | S25-3    | Washer, plain ... ..                                 | 2       |
| 9                | DS57     | Bolt, mudguard to stays, $\frac{7}{16}$ " U/H ... .. | 6       |
| 10               | S25-1    | Washer, plain ... ..                                 | 6       |
| 11               | F879     | Nut ... ..   | 6       |
| 12               | F4348    | Mudguard, rear ... ..                                | 1       |
| 13               | F4340    | Bridge, mudguard ... ..                              | 1       |
| 14               | DS57     | Bolt ... ..  | 4       |
| 15               | S26-2    | Washer ... ..  | 4       |
| 16               | F879     | Nut ... ..   | 4       |
| 17               | F3880    | Stay, c/w racing number brackets ... ..              | 1       |
| 18               | DS55     | Bolt, stay to frame ... ..                           | 2       |
| 19               | S26-3    | Washer ... ..  | 2       |
| 20               | SI-51    | Nut ... ..   | 2       |



# GUARANTEE

**W**E give the following guarantee with our motorcycles, motorcycle combinations and sidecars, including all accessories and component parts other than tyres, saddles, chains and lighting and electrical equipment, and other than accessories and component parts supplied to the order of the Purchaser and differing from those comprised in the standard specifications supplied with our motorcycles, motorcycle combinations and sidecars, but including accessories and parts supplied by way of exchange as hereinafter provided. This guarantee is given in place of any implied conditions or warranties or any liabilities whatsoever statutory or otherwise; no guarantee except that hereinafter contained and no conditions or warranty whatsoever statutory or otherwise is given or is to be implied, nor are we to be under any liability whatsoever except under the guarantee hereinafter contained. Any statement, description, condition or representation contained in any catalogue, advertisement, leaflet or other publication shall not be construed as enlarging, varying or overriding anything herein contained. In the case of machines (a) which have been used for "hiring out" purposes or (b) any motorcycle and/or sidecar used for any dirt track, cinder track or grass track racing or competitions (or any competition of any kind within an enclosure for which a charge is made for admission to take part in or view the competition) or (c) machines from which the trade mark, name or manufacturing number has been altered or removed or (d) any machines in which parts have been used not supplied by or approved by the motorcycle manufacturer or (e) any machine from which the silencing system as fitted by the manufacturer has been partially or wholly removed or interfered with, no guarantee, condition or warranty of any kind statutory or otherwise, is given or is to be implied, nor are we to be under any liability whatsoever in respect of any such machine. We guarantee, subject to the conditions mentioned below, that all precautions which are usual and reasonable have been taken by us to secure excellence of materials and workmanship but this guarantee is to extend and be in force for six months only in U.K. and ninety days overseas from date of purchase, or date of exchange in case of any accessory or part supplied by way of exchange as hereinafter provided, and damages for which we make ourselves responsible under this guarantee are limited to the free repair of or supply of a new part or accessory in exchange for the part of the motorcycle, motorcycle combination or sidecar or accessory which may have proved defective. We undertake, subject to the conditions mentioned below, to make good in manner aforesaid any part or accessory covered by this guarantee which has proved defective within the said period. We do not undertake to replace or refix or bear the cost of replacing or refixing any such new part or accessory in the motorcycle, motorcycle combination or sidecar. As motorcycles, motorcycle combinations and sidecars are easily liable to derangement by neglect or misuse, this guarantee does not apply to defects caused by wear and tear, misuse or neglect. The term "misuse" shall include, amongst others, the following acts: 1. The attaching of a sidecar to a motorcycle in such a manner as to cause damage or calculated to render the latter unsafe when ridden. 2. The use of a motorcycle or of a motorcycle and sidecar combined, when carrying more persons or a greater weight than that for which the machine was designed by the manufacturers. 3. The attaching of a sidecar to a motorcycle by any form of attachment not provided, supplied or approved by the manufacturers, or to a motorcycle which is not designed for such use. We do not guarantee tyres, saddles, chains or lighting and electrical equipment, or any accessories or component parts supplied to the order of the Purchaser differing from those comprised in the standard specifications supplied with our motorcycle combinations or sidecars. As regards all such tyres, saddles, chains, lighting and electrical equipment, accessories and component parts, no guarantee, condition or warranty of any kind statutory or otherwise is given or is to be implied, and we are to be under no liability whatsoever in respect thereof.



## CONDITIONS OF GUARANTEE

If a defective part or accessory should be found in our motorcycles, motorcycle combinations or sidecars, or in any part or accessory supplied by way of exchange as before provided, it must be sent to us CARRIAGE PAID and accompanied by an intimation from the owner that he desires to have it repaired or exchanged free of charge under our guarantee, and he must also furnish us at the same time with the frame number of the machine, the date of purchase or the date when the alleged defective part or accessory was exchanged as the case may be. Failing compliance with the above, such articles will lie here at THE RISK OF THE OWNER, and this guarantee and any implied guarantee, warranty or condition shall not be enforceable.

## REPAIRS

Any motorcycle, motorcycle combination or sidecar sent to us to be plated, enamelled or repaired will be repaired upon the following conditions, *i.e.*, we guarantee that all precautions which are usual and reasonable have been taken by us to secure excellence of materials and workmanship, such guarantee to extend and be in force for three months only from the time such work shall have been executed, and this guarantee is in lieu and in exclusion of all conditions and warranties statutory or otherwise, and all liabilities whatsoever and the damages recoverable are limited to the cost of any further work which may be necessary to amend and make good the work found to be defective.

## NOTE

We do not appoint agents for the sale on our behalf of our motorcycles or other goods, but we assign to motorcycle Dealers areas in which we supply to such Dealers exclusively for re-sale in such areas. No such Dealer is authorised to transact any business, give any warranty, make any representation or incur any liability on our behalf. Published retail prices are for delivery free of charge at Dealers' premises. All goods are offered for sale subject to the price ruling at time of delivery. We reserve the right to modify or deviate from the published specification.

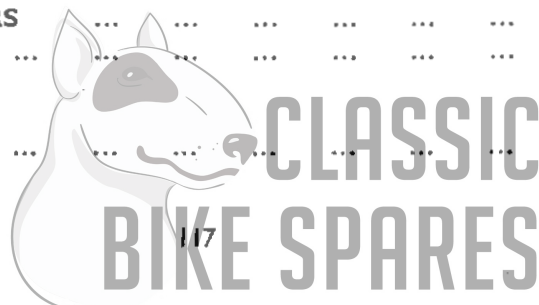
## TRIUMPH SERVICE

There are Triumph distributors and dealers in all parts of the world who carry adequate stocks of Triumph parts and who are ready at all times to help and advise owners of Triumph motorcycles.

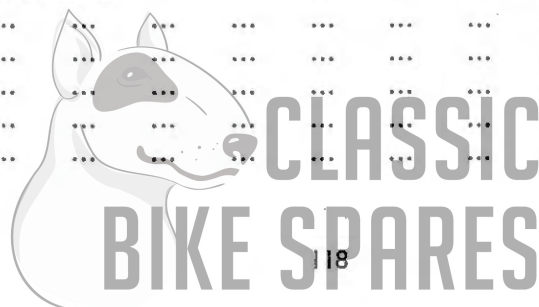


# INDEX

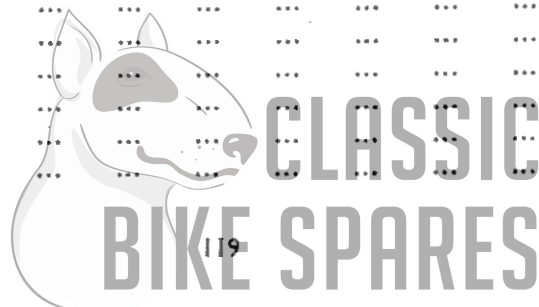
|   | Page<br>No. |
|---|-------------|
| <b>Group 1—CARTON PACKS</b> ... ..          | 9           |
| <b>Group 2—ENGINE</b> ... ..                | 19          |
| Connecting rods ... ..                      | 23          |
| Crankcase ... ..                            | 23          |
| Crankcase bearings ... ..                   | 32          |
| Crankcase breather ... ..                   | 34          |
| Crankcase oil filter ... ..                 | 32          |
| Crankcase and flywheel assembly ... ..      | 22          |
| Cylinder block ... ..                       | 19          |
| Cylinder head ... ..                        | 19          |
| Inlet manifold ... ..                       | 19          |
| Engine sprocket ... ..                      | 35          |
| Oil pump ... ..                             | 32          |
| Oil release valve ... ..                    | 33          |
| Overhead rocker gear ... ..                 | 34          |
| Piston, rings, etc. ... ..                  | 21          |
| Push rods ... ..                            | 34          |
| Push rod cover tube ... ..                  | 34          |
| Rocker oil feed and drain pipes ... ..      | 35          |
| Studs and bolts for crankcase halves ... .. | 32          |
| Tappets and tappet blocks ... ..            | 34          |
| Timing cover ... ..                         | 33          |
| Timing gear and camshafts ... ..            | 33          |
| Valves, guides and springs ... ..           | 21          |
| <b>Group 3—GASKET SET</b> ... ..            | 35          |
| <b>Group 4—GEARBOX</b> ... ..               | 36          |
| Clutch and shock absorber ... ..            | 41          |
| Clutch control ... ..                       | 42          |
| Gear change selector mechanism ... ..       | 40          |
| Gearbox casing ... ..                       | 36          |
| Gearbox fittings ... ..                     | 37          |
| Gearbox casing bearings ... ..              | 37          |
| Gearbox sprocket ... ..                     | 41          |
| Kickstarter ... ..                          | 40          |
| Shafts and gears ... ..                     | 37          |
| <b>Group 5—WIDE RATIO GEARS</b> ... ..      | 43          |
| <b>Group 6—STANDARD RATIO GEARS</b> ... ..  | 43          |
| <b>Group 7—CLOSE RATIO GEARS</b> ... ..     | 43          |
| R.P.M. and gear ratio charts ... ..         | 44          |
| <b>Group 8—EXHAUST SYSTEM</b> ... ..        | 45          |



|  | Page<br>No. |
|--|-------------|
| <b>Group 9—FRAME</b> ... ..                            | 48          |
| Front portion ... ..                                   | 50          |
| Rear portion ... ..                                    | 50          |
| Swinging fork ... ..                                   | 51          |
| <br>   |             |
| <b>Group 10—STAND</b> ... ..                           | 51          |
| Front stand ... ..                                     | 51          |
| Centre stand ... ..                                    | 51          |
| Prop stand ... ..                                      | 51          |
| <br>   |             |
| <b>Group 11—ENGINE PLATES</b> ... ..                   | 52          |
| <br>   |             |
| <b>Group 12—FRONT FORK</b> ... ..                      | 53          |
| <br>   |             |
| <b>Group 13—FRONT WHEEL</b> ... ..                     | 59          |
| <br>   |             |
| <b>Group 14—REAR WHEEL</b> ... ..                      | 64          |
| <br>   |             |
| <b>Group 15—REAR WHEEL (Quickly detachable)</b> ... .. | 67          |
| <br>   |             |
| <b>Group 16—MUDGUARDS</b> ... ..                       | 68          |
| Front mudguard ... ..                                  | 68          |
| Rear mudguard ... ..                                   | 70          |
| Licence holder ... ..                                  | 70          |
| <br>   |             |
| <b>Group 17—NUMBER PLATE</b> ... ..                    | 70          |
| <br>   |             |
| <b>Group 18—PETROL AND OIL TANK</b> ... ..             | 71          |
| Parcel grid ... ..                                     | 74          |
| Petrol tank ... ..                                     | 71          |
| Oil tank ... ..  | 74          |
| <br>   |             |
| <b>Group 19—CHAINGUARD</b> ... ..                      | 74          |
| <br>   |             |
| <b>Group 20—PRIMARY CHAINCASE</b> ... ..               | 76          |
| <br>   |             |
| <b>Group 21—HANDLEBAR</b> ... ..                       | 78          |
| Air control ... ..                                     | 80          |
| Clutch control ... ..                                  | 80          |
| Front brake control ... ..                             | 80          |
| Handlebar bend ... ..                                  | 78          |
| Throttle control ... ..                                | 78          |
| Magneto control ... ..                                 | 81          |
| <br>   |             |
| <b>Group 22—CONTROL CABLE</b> ... ..                   | 81          |
| Air cable ... ..                                       | 82          |
| Clutch cable ... ..                                    | 81          |
| Front brake cable ... ..                               | 81          |
| Ignition cable ... ..                                  | 82          |
| Throttle cable ... ..                                  | 81          |



|  | Page<br>No. |
|--|-------------|
| <b>Group 23—OVERSEAS HANDLEBARS</b> ... ..                                 | 82          |
| <b>Group 24—REAR BRAKE CONTROL</b> ... ..                                  | 83          |
| <b>Group 25—FOOTRESTS</b> ... ..   | 83          |
| <b>Group 26—BATTERY CARRIER AND TOOLBOX</b> ... ..                         | 84          |
| <b>Group 27—TOOLKIT</b> ... ..   | 86          |
| <b>Group 28—AIR FILTER</b> ... ..  | 88          |
| <b>Group 29—LEGSHIELDS</b> ... ..  | 89          |
| <b>Group 30—SIDECAR FITTINGS</b> ... ..                                    | 89          |
| <b>PROPRIETARY FITTINGS</b> ... ..   | 90          |
| <b>Group 31—AMAL CARBURETTER</b> ... ..                                    | 91          |
| <b>Group 32—CHAINS</b> ... ..  | 95          |
| <b>Group 33—LUCAS LIGHTING AND IGNITION EQUIPMENT (Dynamo and Magneto)</b> | 96          |
| Battery ... ..   | 99          |
| Cut-out and regulator unit ... ..  | 96          |
| Dynamo ... ..  | 96          |
| Handlebar switches and push buttons ... ..                                 | 99          |
| Headlamp—Nacelle type ... ..   | 97          |
| Headlamp—Trophy type ... ..  | 97          |
| Horn ... ..  | 97          |
| Magneto ... ..   | 100         |
| Nacelle instrument panel ... ..  | 99          |
| Stop-tail lamp ... ..  | 99          |
| Wiring harness ... ..  | 99          |
| <b>Group 34—LUCAS LIGHTING AND IGNITION (Alternator)</b> ... ..            | 104         |
| Alternator ... ..  | 104         |
| Battery ... ..   | 106         |
| Distributor ... ..   | 104         |
| Headlamp ... ..  | 105         |
| Horn push and dipper switch ... ..   | 106         |
| Horn ... ..  | 106         |
| Ignition coil ... ..   | 104         |
| Nacelle instrument panel ... ..  | 106         |
| Rectifier ... ..   | 104         |
| Stop-tail lamp ... ..  | 105         |
| Wiring harness ... ..  | 106         |



|   | Page<br>No. |
|---|-------------|
| <b>Group 35—TWINSEAT</b> ... ..                   | 107         |
| <b>Group 36—SPARKING PLUGS</b> ... ..             | 107         |
| <b>Group 37—SPEEDOMETER</b> ... ..                | 107         |
| <b>Group 38—SUSPENSION UNITS (GIRLING)</b> ... .. | 108         |
| <b>Group 39—HIGH PERFORMANCE PARTS</b> ... ..     | 109         |



# ILLUSTRATION INDEX

|   | Page<br>No. |
|---|-------------|
| Fig. 1 Inlet Manifolds ... ..   | 20          |
| „ 2 Engine 6T Crankcase, cylinder block and head ... ..                             | 24          |
| „ 3 Engine 6T Crankshaft, connecting rod, pistons and timing gear ... ..            | 24          |
| „ 4 Engine T100 Crankcase, cylinder block and head ... ..                           | 26          |
| „ 5 Engine T100 Crankshaft, connecting rods, pistons and timing gear ... ..         | 26          |
| „ 6 Engine TR6 and T110 Crankcase, cylinder block and head ... ..                   | 28          |
| „ 7 Engine TR6 and T110 Crankshaft, connecting rods, pistons and timing gear ... .. | 28          |
| „ 8 Engine T120 Crankcase, cylinder block and head ... ..                           | 30          |
| „ 9 Engine T120 Crankshaft, connecting rods, pistons and timing gear ... ..         | 30          |
| „ 10 Gearbox ... ..   | 38          |
| „ 11 Clutch and shock absorber ... ..   | 42          |
| „ 12 Exhaust pipes and silencers ... ..   | 46          |
| „ 13 Frame ... ..   | 48          |
| „ 13 Engine plates, studs, bolts, nuts and washers ... ..                           | 52          |
| „ 15 Telescopic fork 6T, T100, T110 and T120 ... ..                                 | 54          |
| „ 16 Telescopic fork TR6 ... ..   | 56          |
| „ 17 Front wheel 6T ... ..  | 60          |
| „ 18 Front wheel T100, T110, TR6 and T120 ... ..                                    | 62          |
| „ 19 Rear wheel ... ..  | 65          |
| „ 20 Rear wheel (quickly detachable) ... ..   | 68          |
| „ 21 Front and rear mudguards ... ..  | 66          |
| „ 22 Petrol tanks and fittings ... ..   | 72          |
| „ 23 Oil tank ... ..  | 75          |
| „ 24 Primary chaincase ... ..   | 77          |
| „ 25 Handlebar and controls ... ..  | 79          |
| „ 26 Battery carrier and toolbox ... ..   | 85          |
| „ 27 Tool kit ... ..  | 87          |
| „ 28 Air filter ... ..  | 88          |
| „ 29 Amal carburetter ... ..  | 92          |
| „ 30 Headlamp ... ..  | 98          |
| „ 31 Magneto ... ..   | 103         |

To assist the owner and dealer in identifying requirements, this book contains numerous exploded views of major assemblies. Each component part is numbered and by cross reference to the illustration index, the part number of the component will be found. Against each part number a page and reference number is shown and by referring to the appropriate page, the full description of the part will be found against the reference number.

## Example.

To find the part number of a scraper ring for the model T100.

1. Refer to illustration index above where it will be found that the exploded view of the T100 crankshaft assembly is on page 26.
2. Note that the number of the scraper ring on the illustration is 4.
3. Refer to the index for the illustration in question on page 27.
4. Note that No. 4 is part number GE29, listed on page 22, Reference line No. 7.

