

20-10224C

# REPLACEMENT PARTS

FOR

# TRIUMPH

# MOTORCYCLES

COMMENCING  
ENGINE No.  
011116

SEPTEMBER, 1957

5T	-	SPEED TWIN
6T	-	THUNDERBIRD
T100	-	TIGER 100
T110	-	TIGER 110
TR5	-	TROPHY
TR6	-	TROPHY

TRIUMPH ENGINEERING COMPANY, LIMITED  
MERIDEN WORKS, ALLESLEY

Telegrams (for Spares)  
"Trusty, Coventry"

COVENTRY

Telephone  
Meriden 331

Ref. 404/58



CLASSIC  
BIKE SPARES

ISSUE No. 14

Published, February, 1958

# PREFACE

**B**EFORE ordering parts for your machine, please read very carefully the instructions contained in the next paragraph. In a large number of cases, the information given in orders is not sufficient to enable us to identify customers' requirements with certainty. Delay is frequently occasioned by our having to refer the order back for further particulars before we can supply.

**HOW TO ORDER.** Every part is indicated by number, and this should be quoted together with the description. In order to assist customers, dimensions have been given in many cases where parts are similar. Parts where possible have been listed in order of assembly and a number of the illustrations show the assembly order also. With these aids there should be no difficulty in identifying the parts you require. Always head your order with the engine number, stamped on the drive side of the crank case underneath the cylinder flange, together with the prefix letters. Use a separate sheet for your order if you are sending a letter as well.

## SPECIMEN ORDER

25/6/58

To Triumph Engineering Co. Ltd.,  
Spares Department,  
Meriden Works,  
Allesley,  
Coventry.

Engine No. 5T-200000

Please supply :—

- I - CP.29/20 - Piston Assy. + .020"
- I - E2899 - Guide, inlet valve

\*Send C.O.D.

Wm. Smith,  
1a, Ewell Avenue,  
Ewell, Surrey.

*\*For terms of business see page 3.*

**TELEGRAPHIC ORDERS.** Orders by telegram should be addressed to "Trusty 60221 Coventry". They are then telephoned to us, which prevents delay in delivery. It is only necessary to quote part numbers in telegraphic orders, the description can be omitted.

**PATTERNS AND PARTS FOR REPAIR.** It is not necessary to send patterns if the part number is quoted. The sending of patterns often delays the order as parcel post or rail takes longer than letter post.

Parts sent to Coventry for repair, replacement or as patterns should bear the sender's name and address and clear instructions should accompany the parts. All parts must be forwarded carriage paid and care should be taken to ensure that all remittances are sent separately and not enclosed with the parts. Fragile units such as cylinders, etc., should always be boxed to avoid damage in transit. Complete machines should have all fitments such as horns, driving mirrors, tools, etc., removed by the sender before despatch, as it is impossible for us to accept responsibility in the event of loss in transit. We are always pleased to give estimates for overhauling and repairs, but should an estimate not be accepted, a charge will be made covering cost of dismantling and re-assembling, if carried out.

Communications relating to Parts should be addressed to the SPARES MANAGER and for repairs, guarantee claims and technical advice to the SERVICE MANAGER, Triumph Engineering Co. Ltd., Meriden Works, Allesley, Coventry. In order to facilitate quick reference, the quoting of any number, invoice number or reference from previous communications is of essential importance. **Accessories not of our manufacture should be sent direct to the actual makers, whose names and addresses appear on Page 90.**

**WHERE TO OBTAIN.** Triumph Spare Parts may be obtained from any Triumph Dealer, and we recommend our customers to place their orders with the Triumph Dealer in their district, as we do not normally supply direct. When parts not usually asked for are required, and for which the Dealer may have to wire or obtain specially, the postage or carriage incurred becomes payable.

We are not able to supply Transfers as originally affixed to Triumph Motor Cycles, but we are at all times willing to supply a transfer denoting that the machine is of genuine Triumph manufacture, provided the Frame and Engine prefix letters and numbers are quoted.

Customers are warned against the risk incurred by purchasing parts that are not of genuine Triumph manufacture. This risk is eliminated if parts are ordered as instructed, either from our recognised Dealers, or direct from the Spares Department, Meriden Works, Allesley, Coventry.

---

## TERMS OF BUSINESS

**T**HE most convenient method of paying for Spare Parts is by the C.O.D. system. By this method you pay the postman for the goods when he delivers them to you. As the minimum C.O.D. collection fee is 1/2, only goods to the value of 2/- and over can be sent by this system. We do not despatch goods by rail C.O.D.

Where goods are not sent C.O.D., cash must accompany the order. All remittances should be made payable to the Triumph Engineering Co. Ltd., and crossed "Barclay's Bank Ltd." if in the form of Postal Order or cheque. Letters containing currency notes must be registered.

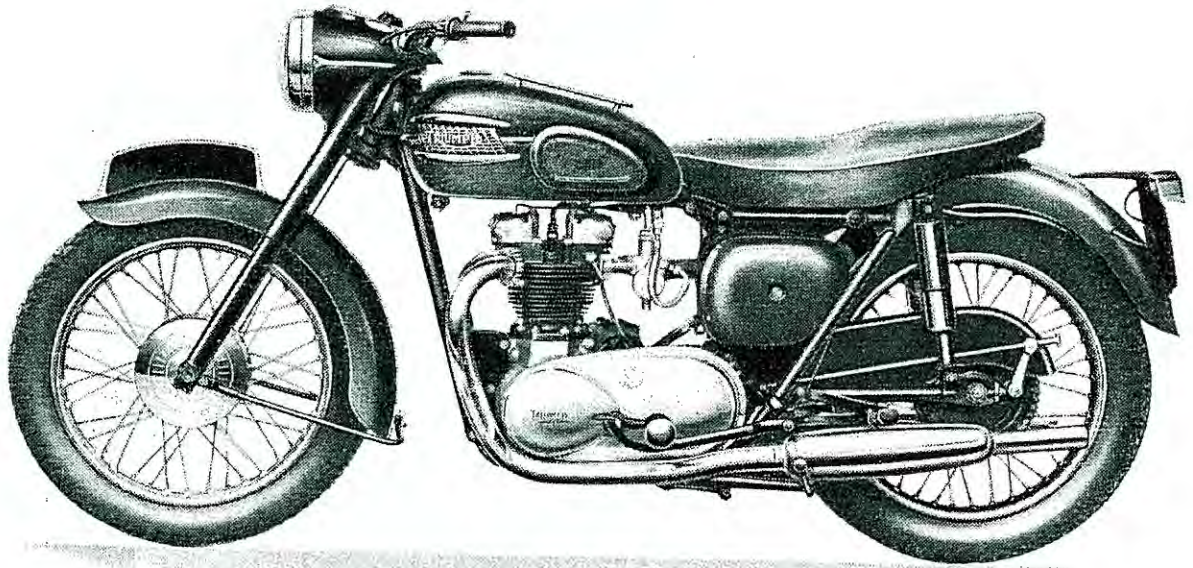
Should a remittance be forwarded by telegraphic money order, the name and address of the sender must be inserted in the space provided on the Post Office requisition form for a private message from remitter to payee. Unless this is complied with the Post Office omit such information from the telegram and we are not then in a position to trace the sender.

Postage, carriage and packing is charged at 5% on the value of the goods, minimum charge 1/-. Packing boxes, cases, crates, etc., are charged for at cost and are returnable.

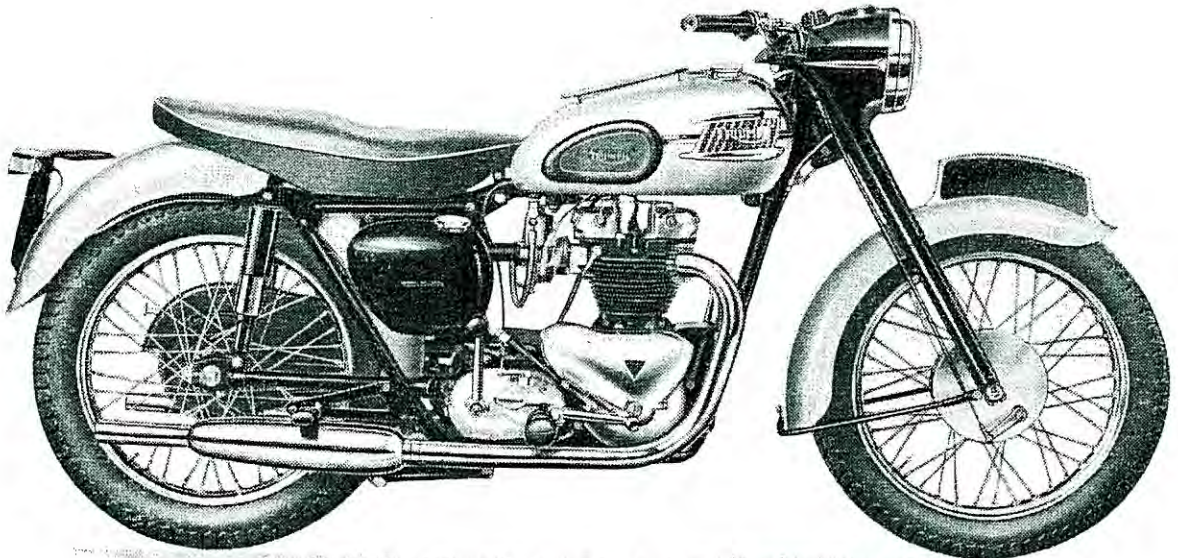
CLASSIC  
BIKE SPARES



**SPEED TWIN (5T)**



**THUNDERBIRD (6T)**





## SPEED TWIN (5T)

### SPECIFICATION

Bore and stroke, mm. ...	63 × 80	Ignition (fully retard)	
ins. ...	2.48 × 3.15	ins. (mm.) ...	$\frac{1}{32}$ (0.8) B.T.C.
Cylinder capacity		Piston ring gap	
c/cm. (cu. ins.) ...	498 (30.5)	Compression—	
Compression ratio ...	7 : 1	ins. (mm.) ...	.010-.014 (.25-.35)
Engine sprocket ...	22	Scraper—	
Carburetter main jet (Amal) ...	200	ins. (mm.) ...	.007-.011 (.18-.28)
Carburetter pilot jet (Amal) ...	30	Petrol tank, gallons (litres) ...	4 (18)
Carburetter slide (Amal) ...	376/3 $\frac{1}{2}$	Oil tank, pints (litres) ...	5 (3)
Carburetter needle jet (Amal) ...	.1065	Weight lbs. (dry) (kilos)...	380 (173)
Tappet clearance, cold			
ins. (mm.) ...	.010 (.26)		

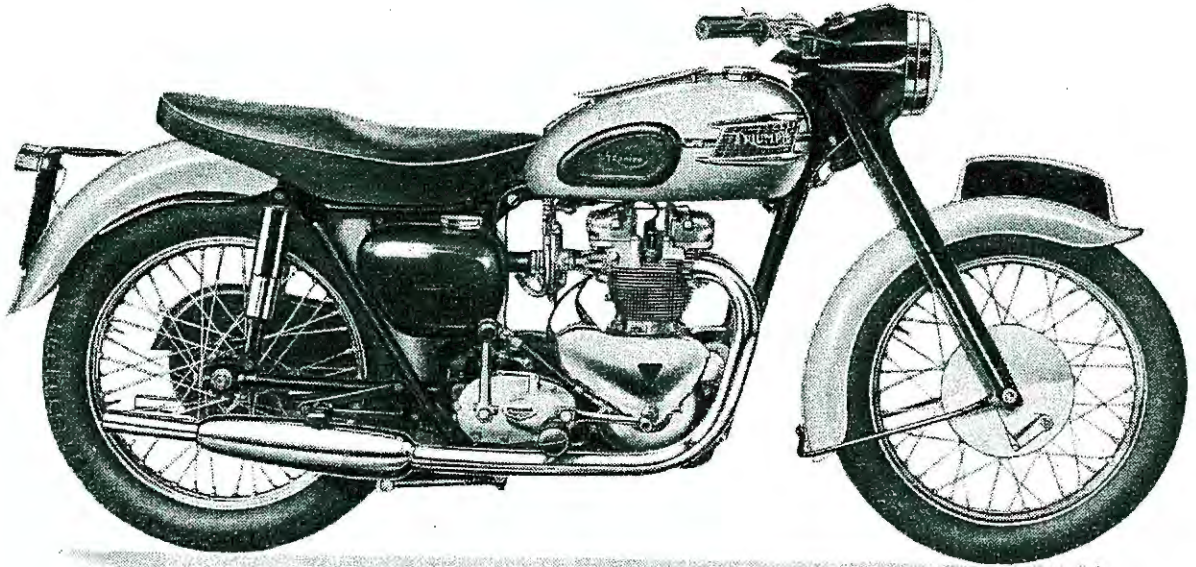
## THUNDERBIRD (6T)

### SPECIFICATION

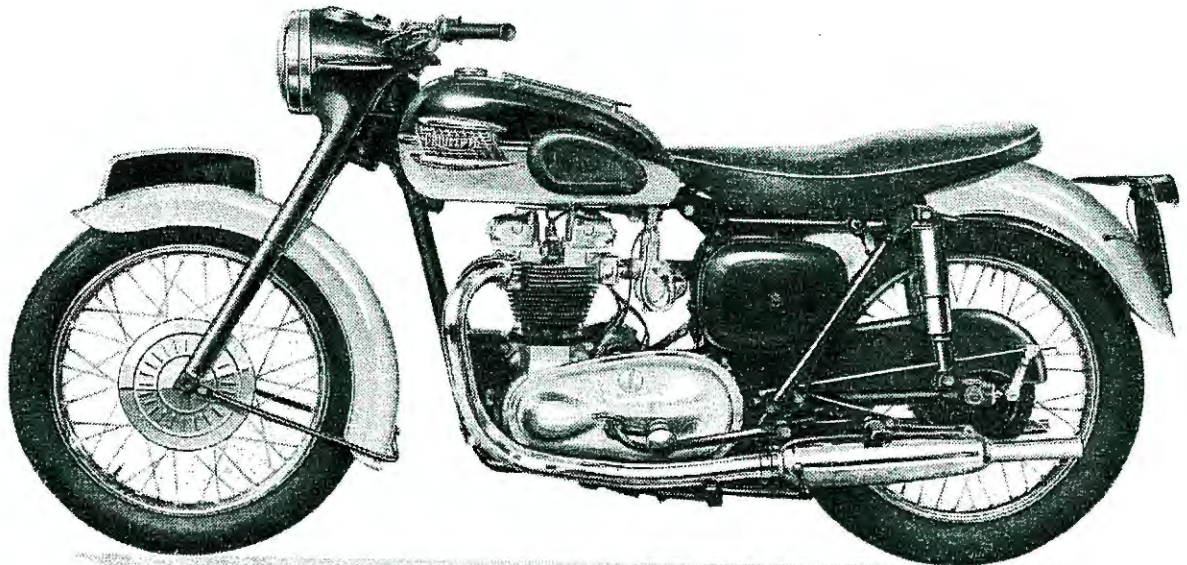
Bore and stroke, mm. ...	71 × 82	Tappet clearance, cold	
ins. ...	2.79 × 3.23	ins. (mm.) ...	.010 (.26)
Cylinder capacity		Ignition (fully retard)	
c/cm. (cu. ins.) ...	649 (40)	ins. (mm.) ...	$\frac{1}{32}$ (0.8) B.T.C.
Compression ratio ...	7 : 1	Piston ring gap (Compression and	
Engine sprocket ...	24	Scraper) ins. (mm.)	.010-.014 (.25-.35)
Carburetter (S.U.)	Type MC2	Petrol tank, gallons (litres) ...	4 (18)
Jet needle ...	M9	Oil tank, pints (litres) ...	5 (3)
		Weight, lbs. (dry) (kilos)	385 (175)



**TIGER 100 (T100)**



**TIGER 110 (T110)**



## TIGER 100 (T100)

### SPECIFICATION

Bore and stroke, mm. ...	...63×80	Ignition, fully advanced	
ins. ...	2.48×3.15	ins. (mm.) ...	$\frac{3}{8}$ (9.5) B.T.D.C.
Cylinder capacity		Piston ring gap	
c/cm. (cu. ins.) ...	498 (30.5)	Compression—	
Compression ratio ...	8 : 1	ins. (mm.) ...	.010-.014 (.25-.35)
Engine sprocket, solo ...	22	Scraper—	
Carburetter main jet (Amal) ...	220	ins. (mm.) ...	.007-.011 (.18-.28)
Carburetter pilot jet (Amal) ...	25	Petrol tank, gallons (litres) ...	4 (18)
Carburetter slide (Amal) ...	376/3 $\frac{1}{2}$	Oil tank, pints (litres) ...	5 (3)
Carburetter needle jet (Amal) ...	.1065	Weight lbs. (dry) (kilos)	375 (170)
Tappet clearance, cold			
ins. (mm.) ...	.010 (.26)		

## TIGER 110 (T110)

### SPECIFICATION

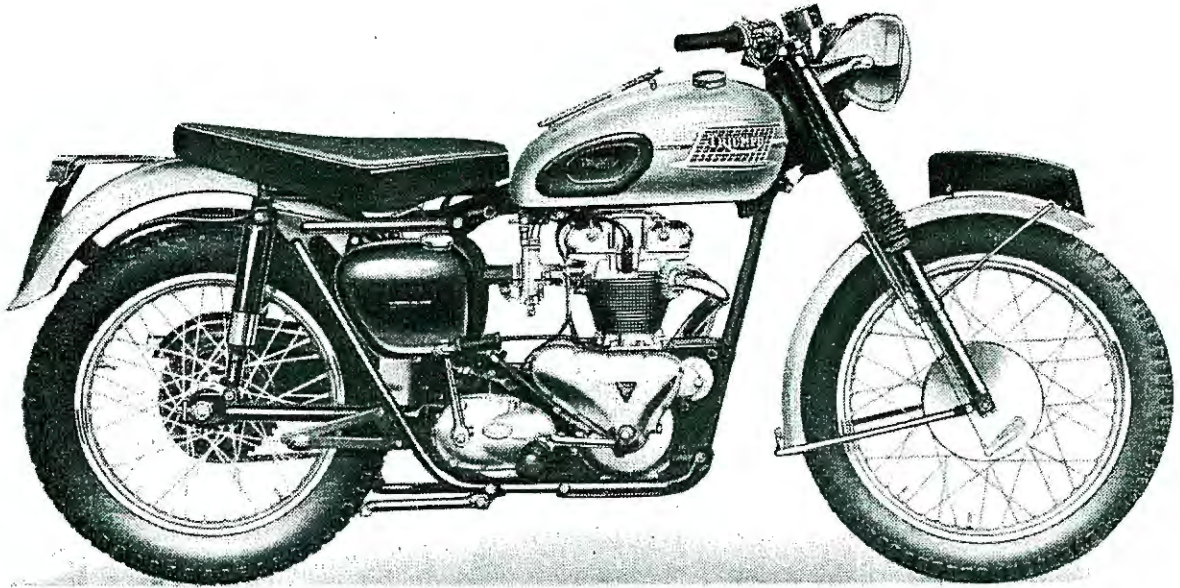
Bore and stroke, mm. ...	...71×82	Tappet clearance, cold ...	.004 ex (.10)
ins. ...	2.79×3.23	ins. (mm.) ...	.002 in. (.05)
Cylinder capacity		Ignition, fully advanced	
c/cm. (cu. ins.) ...	649 (40)	ins. (mm.) ...	$\frac{3}{4}$ (9.2) B.T.D.C.
Compression ratio ...	8 : 1	Piston ring gap (Compression and	
Engine sprocket, solo ...	24	Scraper) ins. (mm.)	.010-.014 (.25-.35)
Carburetter main jet (Amal) ...	*250	Petrol tank, gallons (litres) ...	4 (18)
Carburetter pilot jet (Amal) ...	25	Oil tank, pints (litres) ...	5 (3)
Carburetter slide (Amal) ...	376/3 $\frac{1}{2}$	Weight lbs. (dry) (kilos)	395 (179)
Carburetter needle jet (Amal) ...	.1065		

\*270 without air filter

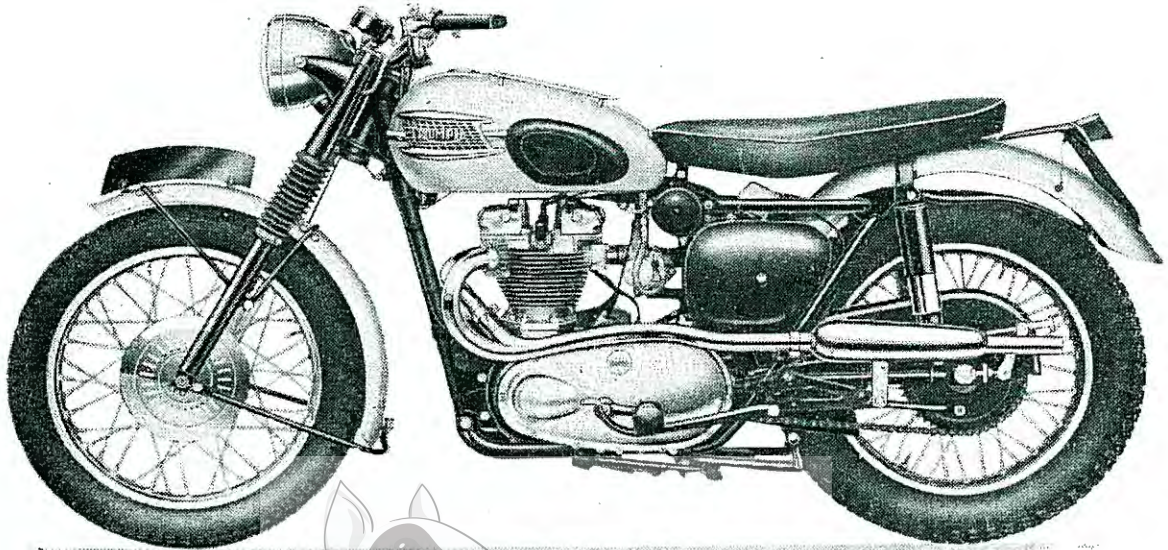




TROPHY (TR5)



TROPHY (TR6)



 **CLASSIC  
BIKE SPARES**

## TROPHY (TR5)

### SPECIFICATION

Bore and stroke, mm. ...	...63×80	Tappet clearance, cold	
ins. ...	2.48×3.15	ins. (mm.) ...	Inlet .002 (0.10) Exhaust .004 (0.05)
Cylinder capacity		Ignition, fully advanced	
c/cm. (cu. ins.) ...	498 (30.5)	ins. (mm.) ...	$\frac{13}{16}$ (12) B.T.D.C.
Compression ratio ...	8 : 1	Piston ring gap	
Engine sprocket ...	21	Compression—	
Carburetter main jet (Amal) ...	220	ins. (mm.) ...	.010-.014 (.25-.35)
Carburetter pilot jet (Amal) ...	25	Scraper—	
Carburetter slide (Amal) ...	376/3½	ins. (mm.) ...	.007-.011 (.18-.28)
Carburetter needle jet (Amal) ...	.1065	Petrol tank, gallons (litres)	3 (13.5)
		Oil tank, pints (litres) ...	5 (3)
		Weight lbs. (dry) (kilos)	365 (166)

## TROPHY (TR6)

### SPECIFICATION

Bore and stroke, mm. ...	...71×82	Tappet clearance, cold ...	.004 ex (.10)
ins. ...	2.79×3.23	ins. (mm.) ...	.002 in. (.05)
Cylinder capacity		Ignition, fully advanced	
c/cm. (cu. ins.) ...	649 (40)	ins. (mm.) ...	$\frac{33}{16}$ (9.2) B.T.D.C.
Compression ratio ...	8 : 1	Piston ring gap (Compression and	
Engine sprocket, solo ...	24	Scraper) ins. (mm.)	.010-.014 (.25-.35)
Carburetter main jet (Amal) ...	*250	Petrol tank, gallons (litres)	4 (18)
Carburetter pilot jet (Amal) ...	25	Oil tank, pints (litres) ...	5 (3)
Carburetter slide (Amal) ...	376/3½	Weight lbs. (dry) (kilos)	370 (168)
Carburetter needle jet (Amal) ...	.1065		

\* 270 without air filter



# CARTON PACK COMPONENT LIST—GROUP I

The following sub-assemblies are supplied in carton packs under the C.P. part number stated. The contents of these carton packs are preserved and will not deteriorate under adverse conditions.

PART No.

DESCRIPTION AND CONTENTS

## Brake Lining

CP.38            2 ...    ... NW.243 ...    ...    ... Lining, brake  
                   16 ...    ... W.129 ...    ...    ... Rivet

CP.66            2 ...    ... W.631 ...    ...    ... Lining, brake  
                   16 ...    ... W.129 ...    ...    ... Rivet

## Crankcase Bearing

CP.144            ... 2 ...    ... E.1591 ...    ...    ... Bearing ball, d/s and t/s

## Fork (Telescopic) Service Pack

CP.50 ...    ... 2 ...    ... H.443 ...    ...    ... Bearing, lower  
     2 ...    ... H.441 ...    ...    ... Bearing, upper  
     2 ...    ... E.1335 ...    ...    ... Washer, copper  
     4 ...    ... H.430 ...    ...    ... Washer, drain filler plug  
     2 ...    ... H.452 ...    ...    ... Restrictor, oil  
     2 ...    ... H.453 ...    ...    ... Cup, oil restrictor  
     2 ...    ... H.454 ...    ...    ... Pin, restrictor cup  
     2 ...    ... H.391 ...    ...    ... Washer, dust excluder felt  
     2 ...    ... H.420 ...    ...    ... Washer, outer cover felt  
     2 ...    ... H.1065 ...    ...    ... Washer, aluminium

## Gears, Standard Ratio

CP.145            ... 1 ...    ... T.1382 ...    ...    ... Gear, mainshaft high  
     1 ...    ... T.916 ...    ...    ... Gear, mainshaft 2nd  
     1 ...    ... T.1063 ...    ...    ... Gear, layshaft and high  
     1 ...    ... T.1065 ...    ...    ... Gear, layshaft 2nd  
     1 ...    ... T.934 ...    ...    ... Gear, speedometer driven

## Gears, Wide Ratio

CP.94 ...    ... 1 ...    ... T.1384 ...    ...    ... Gear, mainshaft high  
     1 ...    ... T.968 ...    ...    ... Gear, mainshaft 2nd  
     1 ...    ... T.971 ...    ...    ... Gear, layshaft and high  
     1 ...    ... T.974 ...    ...    ... Gear, layshaft 2nd  
     1 ...    ... T.975 ...    ...    ... Gear, speedometer driven



CLASSIC  
 BIKE SPARES



# CARTON PACK – GROUP I

PART No.

DESCRIPTION AND CONTENTS

## Gear, Close Ratio

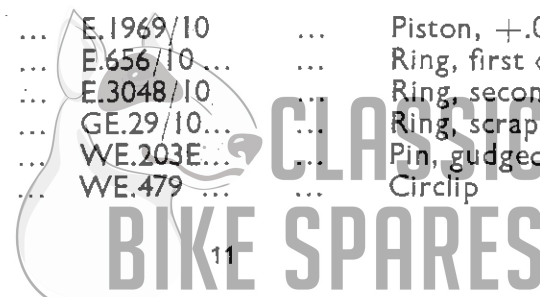
CP.95	...	...	1	...	...	T.1177	...	...	Mainshaft and low gear
			1	...	...	T.1383	...	...	Gear, mainshaft high
			1	...	...	T.1179	...	...	Gear, mainshaft 3rd
			1	...	...	T.955	...	...	Gear, mainshaft 2nd
			1	...	...	T.959	...	...	Layshaft and high gear
			1	...	...	T.964	...	...	Gear, layshaft 3rd
			1	...	...	T.963	...	...	Gear, layshaft 2nd
			1	...	...	T.961	...	...	Gear, layshaft low
			1	...	...	T.983	...	...	Plug, speedometer drive sealing
			1	...	...	T.948	...	...	Washer, speedometer drive plug

## Kickstarter Ratchet Gear

CP.27	...	...	1	...	...	T.730	...	...	Pinion, kickstarter
			1	...	...	T.731	...	...	Ratchet, kickstart
			1	...	...	T.1250	...	...	Spring, ratchet
			1	...	...	T.1338	...	...	Sleeve
			1	...	...	T.732	...	...	Lockwasher

## Pistons 500 c.c. Models

CP.109	...	...	1	...	...	E.3052	...	...	Piston, CR. 5 : 1
			1	...	...	E.656	...	...	Ring, first compression
			1	...	...	E.3048	...	...	Ring, second compression (Taper)
			1	...	...	GE.29	...	...	Ring, scraper
			1	...	...	WE.203E	...	...	Pin, gudgeon
			2	...	...	WE.479	...	...	Circlip
CP.109/20	...	...	1	...	...	E.3052/20	...	...	Piston, +.020", CR. 5 : 1
			1	...	...	E.656/20	...	...	Ring, first compression
			1	...	...	E.3048/20	...	...	Ring, second compression (Taper)
			1	...	...	GE.29/20	...	...	Ring, scraper
			1	...	...	WE.203E...	...	...	Pin, gudgeon
			2	...	...	WE.479	...	...	Circlip
CP.37	...	...	1	...	...	E.1969	...	...	Piston, CR. 6 : 1
			1	...	...	E.656	...	...	Ring, first compression
			1	...	...	E.3048	...	...	Ring, second compression (Taper)
			1	...	...	GE.29	...	...	Ring, scraper
			1	...	...	WE.203E...	...	...	Pin, gudgeon
			2	...	...	WE.479	...	...	Circlip
CP.37/10	...	...	1	...	...	E.1969/10	...	...	Piston, +.010", CR. 6 : 1
			1	...	...	E.656/10	...	...	Ring, first compression
			1	...	...	E.3048/10	...	...	Ring, second compression (Taper)
			1	...	...	GE.29/10...	...	...	Ring, scraper
			1	...	...	WE.203E...	...	...	Pin, gudgeon
			2	...	...	WE.479	...	...	Circlip



# GROUP I – CARTON PACK

PART No.		DESCRIPTION AND CONTENTS					
CP.37/20	...	1	...	...	E.1969/20	...	Piston, +.020", CR. 6 : 1
		1	...	...	E.656/20	...	Ring, first compression
		1	...	...	E.3048/20	...	Ring, second compression (Taper)
		1	...	...	GE.29/20	...	Ring, scraper
		1	...	...	WE.203E	...	Pin, gudgeon
		2	...	...	WE.479	...	Circlip
CP.29	...	1	...	...	E.1563	...	Piston, CR. 7 : 1
		1	...	...	E.656	...	Ring, first compression
		1	...	...	E.3048	...	Ring, second compression (Taper)
		1	...	...	GE.29	...	Ring, scraper
		1	...	...	WE.203E	...	Pin, gudgeon
		2	...	...	WE.479	...	Circlip
CP.29/10	...	1	...	...	E.1563/10	...	Piston, +.010", CR. 7 : 1
		1	...	...	E.656/10	...	Ring, first compression
		1	...	...	E.3048/10	...	Ring, second compression (Taper)
		1	...	...	GE.29/10	...	Ring, scraper
		1	...	...	WE.203E	...	Pin, gudgeon
		2	...	...	WE.479	...	Circlip
CP.29/20	...	1	...	...	E.1563/20	...	Piston, +.020", CR. 7 : 1
		1	...	...	E.656/20	...	Ring, first compression
		1	...	...	E.3048/20	...	Ring, second compression (Taper)
		1	...	...	GE.29/20	...	Ring, scraper
		1	...	...	WE.203E	...	Pin, gudgeon
		2	...	...	WE.479	...	Circlip
CP.29/30	...	1	...	...	E.1563/30	...	Piston, +.030", CR. 7 : 1
		1	...	...	E.656/30	...	Ring, first compression
		1	...	...	E.3048/30	...	Ring, second compression (Taper)
		1	...	...	GE.29/30	...	Ring, scraper
		1	...	...	WE.203E	...	Pin, gudgeon
		2	...	...	WE.479	...	Circlip
CP.29/40	...	1	...	...	E.1563/40	...	Piston, +.040", CR. 7 : 1
		1	...	...	E.656/40	...	Ring, first compression
		1	...	...	E.3048/40	...	Ring, second compression (Taper)
		1	...	...	GE.29/40	...	Ring, scraper
		1	...	...	WE.203E	...	Pin, gudgeon
		2	...	...	WE.479	...	Circlip



## CARTON PACK – GROUP I

PART No.	DESCRIPTION AND CONTENTS					
CP.131	...	1	...	...	E.1908 ...	Piston, CR. 7.6 : 1
		1	...	...	E.656 ...	Ring, first compression
		1	...	...	E.3048 ...	Ring, second compression (Taper)
		1	...	...	GE.29 ...	Ring, scraper
		1	...	...	WE.203E...	Pin, gudgeon
		2	...	...	WE.479 ...	Circlip
CP.131/10	...	1	...	...	E.1908/10 ...	Piston, +.010", CR. 7.6 : 1
		1	...	...	E.656/10 ...	Ring, first compression
		1	...	...	E.3048/10 ...	Ring, second compression (Taper)
		1	...	...	GE.29/10...	Ring, scraper
		1	...	...	WE.203E...	Pin, gudgeon
		1	...	...	WE.479 ...	Circlip
CP.131/20	...	1	...	...	E.1908/20 ...	Piston, +.020" CR. 7.6 : 1
		1	...	...	E.656/20 ...	Ring, first compression
		1	...	...	E.3048/20 ...	Ring, second compression (Taper)
		1	...	...	GE.29/20...	Ring, scraper
		1	...	...	WE.203E...	Pin, gudgeon
		1	...	...	WE.479 ...	Circlip
CP.135	...	1	...	...	E.3098 ...	Piston, CR. 8 : 1
		1	...	...	E.656 ...	Ring, first compression
		1	...	...	E.3048 ...	Ring, second compression (Taper)
		1	...	...	GE.29 ...	Ring, scraper
		1	...	...	WE.203E...	Pin, gudgeon
		2	...	...	WE.479 ...	Circlip
CP.135/10	...	1	...	...	E.3098/10 ...	Piston, +.010" CR. 8 : 1
		1	...	...	E.656/10 ...	Ring, first compression
		1	...	...	E.3048/10 ...	Ring, second compression (Taper)
		1	...	...	GE.29/10...	Ring, scraper
		1	...	...	WE.203E...	Pin, gudgeon
		2	...	...	WE.479 ...	Circlip
CP.135/20	...	1	...	...	E.3098/20 ...	Piston, +.020", CR. 8 : 1
		1	...	...	E.656/20 ...	Ring, first compression
		1	...	...	E.3048/20 ...	Ring, second compression (Taper)
		1	...	...	GE.29/20...	Ring, scraper
		1	...	...	WE.203E...	Pin, gudgeon
		2	...	...	WE.479 ...	Circlip



## GROUP I – CARTON PACK

PART No.	DESCRIPTION AND CONTENTS					
CP.133	...	1	...	E.2489	...	Piston, CR. 8.5 : 1
		1	...	E.656	...	Ring, first compression
		1	...	E.3048	...	Ring, second compression (Taper)
		1	...	GE.29	...	Ring, scraper
		1	...	WE.203E...	...	Pin, gudgeon
		2	...	WE.479	...	Circlip
CP.133/10	...	1	...	E.2489/10	...	Piston, +.010", CR. 8.5 : 1
		1	...	E.656/10	...	Ring, first compression
		1	...	E.3048/10	...	Ring, second compression (Taper)
		1	...	GE.29/10...	...	Ring, scraper
		1	...	WE.203E...	...	Pin, gudgeon
		2	...	WE.479	...	Circlip
CP.133/20	...	1	...	E.2489/20	...	Piston, +.020" CR. 8.5 : 1
		1	...	E.656/20	...	Ring, first compression
		1	...	E.3048/20	...	Ring, second compression (Taper)
		1	...	GE.29/20...	...	Ring, scraper
		1	...	WE.203E...	...	Pin, gudgeon
		2	...	WE.479	...	Circlip
CP.161	...	1	...	E.3615	...	Piston, CR. 9 : 1
		1	...	E.656	...	Ring, first compression
		1	...	E.3048	...	Ring, second compression (Taper)
		1	...	GE.29	...	Ring, scraper
		1	...	WE.203E...	...	Pin, gudgeon
		2	...	WE.479	...	Circlip
CP.161/20	...	1	...	E.3615/20	...	Piston, +.020", CR.9 : 1
		1	...	E.656/20	...	Ring, first compression
		1	...	E.3048/20	...	Ring, second compression (Taper)
		1	...	GE.29/20...	...	Ring, scraper
		1	...	WE.203E...	...	Pin, gudgeon
		2	...	WE.479	...	Circlip
CP.134	...	1	...	E.2884	...	Piston, CR. 9.5 : 1
		1	...	E.656	...	Ring, first compression
		1	...	E.3048	...	Ring, second compression (Taper)
		1	...	GE.29	...	Ring, scraper
		1	...	WE.203E...	...	Pin, gudgeon
		2	...	WE.479	...	Circlip
CP.132	...	1	...	E.2671	...	Piston CR. 12 : 1
		1	...	E.656	...	Ring, first compression
		1	...	E.3048	...	Ring, second compression (Taper)
		1	...	GE.29	...	Ring, scraper
		1	...	WE.203E...	...	Pin, gudgeon
		2	...	WE.479	...	Circlip

## CARTON PACK – GROUP I

PART No.

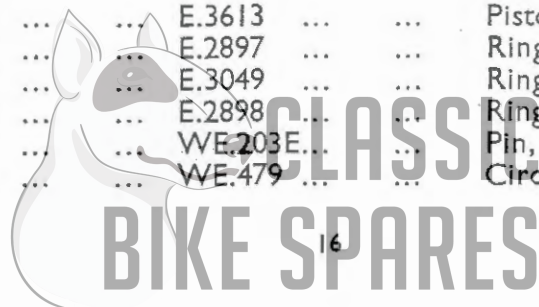
DESCRIPTION AND CONTENTS

### Pistons, 650 c.c. Models

CP.158	...	1	...	...	E.3611	...	...	Piston CR. 6.3 : 1
			1	...	...	E.2897	...	Ring, first compression
			1	...	...	E.3049	...	Ring, second compression (Taper)
			1	...	...	E.2898	...	Ring, scraper
			1	...	...	WE.203E	...	Pin, gudgeon
		2	...	...	WE.479	...	Circlip	
CP.98 (6T only)	1	...	...	...	E.2891	...	...	Piston, CR. 7 : 1
	1	...	...	...	E.2897	...	...	Ring, first compression
	1	...	...	...	E.3049	...	...	Ring, second compression (Taper)
	1	...	...	...	E.2898	...	...	Ring, scraper
	1	...	...	...	WE.203E...	...	...	Pin, gudgeon
		2	...	...	WE.479	...	...	Circlip
CP.98/10 (6T only)	1	...	...	...	E.2891/10	...	...	Piston, +.010" CR. 7 : 1
	1	...	...	...	E.2897/10	...	...	Ring, first compression
	1	...	...	...	E.3049/10	...	...	Ring, second compression (Taper)
	1	...	...	...	E.2898/10	...	...	Ring, scraper
	1	...	...	...	WE.203E	...	...	Pin, gudgeon
		2	...	...	WE.479	...	...	Circlip
CP.98/20 (6T only)	1	...	...	...	E.2891/20	...	...	Piston, +.020" CR. 7 : 1
	1	...	...	...	E.2897/20	...	...	Ring, first compression
	1	...	...	...	E.3049/20	...	...	Ring, second compression (Taper)
	1	...	...	...	E.2898/20	...	...	Ring, scraper
	1	...	...	...	WE.203E...	...	...	Pin, gudgeon
		2	...	...	WE.479	...	...	Circlip
CP.159	...	1	...	...	E.3612	...	...	Piston, CR. 7.5 : 1
			1	...	...	E.2897	...	Ring, first compression
			1	...	...	E.3049	...	Ring, second compression (Taper)
			1	...	...	E.2898	...	Ring, scraper
			1	...	...	WE.203E	...	Pin, gudgeon
		2	...	...	WE.479	...	Circlip	
CP.159/10	...	1	...	...	E.3612/10	...	...	Piston, +.010", CR. 7.5 : 1
			1	...	...	E.2897/10	...	Ring, first compression
			1	...	...	E.3049/10	...	Ring, second compression (Taper)
			1	...	...	E.2898/10	...	Ring, scraper
			1	...	...	WE.203E...	...	Pin, gudgeon
		2	...	...	WE.479	...	Circlip	
CP.159/20	...	1	...	...	E.3612/20	...	...	Piston, +.020", CR. 7.5 : 1
			1	...	...	E.2897/20	...	Ring, first compression
			1	...	...	E.3049/20	...	Ring, second compression (Taper)
			1	...	...	E.2898/20	...	Ring, scraper
			1	...	...	WE.203E...	...	Pin, gudgeon
		2	...	...	WE.479	...	Circlip	

## GROUP I – CARTON PACK

PART No.	DESCRIPTION AND CONTENTS						
CP.163	...	1	...	...	E.3670	...	Piston, CR. 8 : 1
		1	...	...	E.2897	...	Ring, first compression
		1	...	...	E.3049	...	Ring, second compression (Taper)
		1	...	...	E.2898	...	Ring, scraper
		1	...	...	WE.203E...	...	Pin, gudgeon
		2	...	...	WE.479	...	Circlip
CP.163/10	...	1	...	...	E.3670/10	...	Piston, +.010", CR. 8 : 1
		1	...	...	E.2897/10	...	Ring, first compression
		1	...	...	E.3049/10	...	Ring, second compression (Taper)
		1	...	...	E.2898/10	...	Ring, scraper
		1	...	...	WE.203E...	...	Pin, gudgeon
		2	...	...	WE.479	...	Circlip
CP.163/20	...	1	...	...	E.3670/20	...	Piston, +.020", CR. 8 : 1
		1	...	...	E.2897/20	...	Ring, first compression
		1	...	...	E.3049/20	...	Ring, second compression (Taper)
		1	...	...	E.2898/20	...	Ring, scraper
		1	...	...	WE.203E...	...	Pin, gudgeon
		2	...	...	WE.479	...	Circlip
CP.157	...	1	...	...	E.3610	...	Piston, CR. 8.5 : 1
		1	...	...	E.2897	...	Ring, first compression (Taper)
		1	...	...	E.3049	...	Ring, second compression
		1	...	...	E.2898	...	Ring, scraper
		1	...	...	WE.203E...	...	Pin, gudgeon
		2	...	...	WE.479	...	Circlip
CP.157/10	...	1	...	...	E.3610/10	...	Piston, +.010" CR. 8.5 : 1
		1	...	...	E.2897/10	...	Ring, first compression (Taper)
		1	...	...	E.3049/10	...	Ring, second compression
		1	...	...	E.2898/10	...	Ring, scraper
		1	...	...	WE.203E...	...	Pin, gudgeon
		2	...	...	WE.479	...	Circlip
CP.157/20	...	1	...	...	E.3610/20	...	Piston, +.020", CR. 8.5 : 1
		1	...	...	E.2897/20	...	Ring, first compression (Taper)
		1	...	...	E.3049/20	...	Ring, second compression
		1	...	...	E.2898/20	...	Ring, scraper
		1	...	...	WE.203E...	...	Pin, gudgeon
		2	...	...	WE.479	...	Circlip
CP.160	...	1	...	...	E.3613	...	Piston, CR. 12 : 1
		1	...	...	E.2897	...	Ring, first compression (Taper)
		1	...	...	E.3049	...	Ring, second compression
		1	...	...	E.2898	...	Ring, scraper
		1	...	...	WE.203E...	...	Pin, gudgeon
		2	...	...	WE.479	...	Circlip





## CARTON PACK – GROUP I

PART No.	DESCRIPTION AND CONTENTS						
<b>Piston Rings 500 c.c. Models</b>							
CP.40 ... ..	2 ... ..	E.656 ... ..	Ring, first compression				
	2 ... ..	E.3048 ... ..	Ring, second compression (Taper)				
	2 ... ..	GE.29 ... ..	Ring, scraper				
CP.40/10 ... ..	2 ... ..	E.656/10 ... ..	Ring, first compression				
	2 ... ..	E.3048/10 ... ..	Ring, second compression (Taper)				
	2 ... ..	GE.29/10... ..	Ring, scraper				
CP.40/20 ... ..	2 ... ..	E.656/20 ... ..	Ring, first compression				
	2 ... ..	E.3048/20 ... ..	Ring, second compression (Taper)				
	2 ... ..	GE.29/20... ..	Ring, scraper				
CP.40/40 ... ..	2 ... ..	E.656/40 ... ..	Ring, first compression				
	2 ... ..	E.3048/40 ... ..	Ring, second compression (Taper)				
	2 ... ..	GE.29/40... ..	Ring, scraper				
<b>Piston Rings 650 c.c. Models</b>							
CP.99 ... ..	2 ... ..	E.2897 ... ..	Ring, first compression				
	2 ... ..	E.3049 ... ..	Ring, second compression (Taper)				
	2 ... ..	E.2898 ... ..	Ring, scraper				
CP.99/10 ... ..	2 ... ..	E.2897/10 ... ..	Ring, first compression				
	2 ... ..	E.3049/10 ... ..	Ring, second compression (Taper)				
	2 ... ..	E.2898/10 ... ..	Ring, scraper				
CP.99/20 ... ..	2 ... ..	E.2897/20 ... ..	Ring, first compression				
	2 ... ..	E.3049/20 ... ..	Ring, second compression (Taper)				
	2 ... ..	E.2898/20 ... ..	Ring, scraper				
<b>Valves</b>							
CP.6 (5T) ... ..	2 ... ..	E.1955 ... ..	Valve, inlet				
	2 ... ..	E.1956 ... ..	Valve, exhaust				
CP.96 (6T) ... ..	2 ... ..	E.2903 ... ..	Valve, inlet				
	2 ... ..	E.2904 ... ..	Valve, exhaust				
CP.103 (T100, TR5) ... ..	2 ... ..	E.2969 ... ..	Valve, inlet				
	2 ... ..	E.1956 ... ..	Valve, exhaust				
CP.173 (T110, TR6) ... ..	2 ... ..	E.3310 ... ..	Valve, inlet				
	2 ... ..	E.3927 ... ..	Valve, exhaust				



## GROUP I – CARTON PACK

PART No.

DESCRIPTION AND CONTENTS

### Valve Guides

CP.97	...	...	2	...	...	E.2899	...	...	Guide, inlet
			2	...	...	E.2900	...	...	Guide, exhaust

### Valve Springs

CP.5	...	...	4	...	...	E.1488	...	...	Spring, inner
			4	...	...	E.1487	...	...	Spring, outer
CP.102	...	...	4	...	...	E.3001	...	...	Spring, inner (racing)
			4	...	...	E.3002	...	...	Spring, outer (racing)

### Steering Races

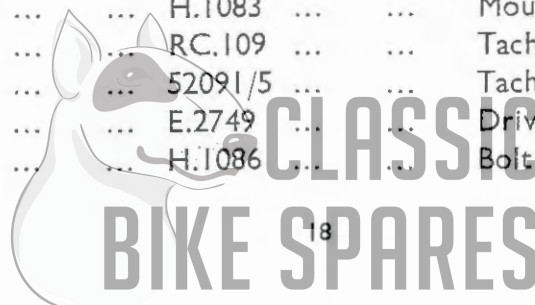
CP.156	...	...	1	...	...	H.1018	...	...	Cone and dust cover, top
			1	...	...	H.439	...	...	Cone
			2	...	...	H.111	...	...	Cups
			40	...	...	S70-3	...	...	Balls

### Sidecar Machine Jack

CP.153	...	...	1	...	...	F.4028	...	...	Bracket
			1	...	...	F.2605	...	...	Bolt
			1	...	...	F.4029	...	...	Jack

### Tachometer Drive Kit (for TR.5 and TR.6)

CP.162	...	...	1	...	...	E.3677	...	...	Timing gear cover
			1	...	...	E.3678	...	...	Grub Screw
			1	...	...	E.3679	...	...	Bearing housing assembly, driving
			1	...	...	E.3682	...	...	Bearing housing assembly, driven
			1	...	...	E.3685	...	...	L.H. nut
			1	...	...	E.3686	...	...	Driving Gear
			1	...	...	H.1083	...	...	Mounting bracket
			1	...	...	RC.109	...	...	Tachometer head
			1	...	...	52091/5	...	...	Tachometer drive cable
			1	...	...	E.2749	...	...	Driven gear
			2	...	...	H.1086	...	...	Bolt mounting bracket



## REPLACEMENT PARTS

REF. No.	PART No.	DESCRIPTION	5T	6T	TR5	T100	T110	TR6
----------	----------	-------------	----	----	-----	------	------	-----

## ENGINE—GROUP 2

## CYLINDER BLOCK

1	E3525	Block, cylinder ... ..	1	—	—	—	—	—
2	E3332	Block, cylinder ... ..	—	1	—	—	1	—
3	E3591	Block, cylinder ... ..	—	—	1	1	—	—
4	E3332/TR6	Block, cylinder ... ..	—	—	—	—	—	1
5	E2249	Washer, cylinder base ... ..	—	—	1	1	—	—
6	E2894	Washer, cylinder base ... ..	1	1	—	—	1	1

## CYLINDER HEAD

7	E2928	Head, cylinder c/w guides ... ..	1	—	—	—	—	—
8	E3873	Head, cylinder c/w guides ... ..	—	1	—	—	—	—
9	*E3593	Head, cylinder c/w guides ... ..	—	—	1	1	—	—
10	*E3924	Head, cylinder c/w guides ... ..	—	—	—	—	1	1
11	E2961	Adaptor, exhaust pipe ... ..	—	—	2	2	—	—
12	E3583	Adaptor, exhaust pipe ... ..	—	—	—	—	2	2
13	E2248	Gasket, cylinder head ... ..	1	—	—	—	—	—
14	E3614	Gasket, cylinder head ... ..	—	1	—	—	1	1
15	E3003	Gasket, cylinder head ... ..	—	—	1	1	—	—
16	E327	Bolt, cylinder head, short 3 $\frac{3}{8}$ " U/H ...	4	4	—	—	4	4
17	E1484	Bolt, cylinder head, medium 5 $\frac{3}{8}$ " U/H ...	2	2	—	—	2	2
18	E1596	Bolt, cylinder head (torque) 6 $\frac{3}{16}$ " U/H ...	2	2	—	—	2	2
19	E1596A	Bolt, cylinder head (torque) 5 $\frac{7}{8}$ " U/H ...	—	—	2	2	—	—
20	E2873	Bolt, cylinder head, short 3 $\frac{3}{4}$ " U/H ...	—	—	4	4	—	—
21	E2874	Bolt, cylinder head, medium 5 $\frac{1}{16}$ " U/H ...	—	—	2	2	—	—
22	GS308	Washer, cylinder head bolt ... ..	4	4	—	—	—	—
23	F2184	Washer, cylinder head bolt ... ..	—	—	8	8	8	8

## INLET MANIFOLD

24	E3576	Manifold, inlet ... ..	1	—	—	—	—	—
25	E3074	Manifold, inlet ... ..	—	1	—	—	—	—
26	E3307	Manifold, inlet ... ..	—	—	1	1	—	—
27	E3304	Manifold, inlet ... ..	—	—	—	—	1	1
28	E1552	Washer, inlet manifold joint ... ..	2	—	—	—	—	—
29	E1676	Washer, inlet manifold joint ... ..	—	2	—	—	—	—
30	E2967	Washer, inlet manifold joint ... ..	—	—	2	2	—	—
31	E3334	Washer, inlet manifold joint ... ..	—	—	—	2	2	—

\* For splayed port models see Page 109



# GROUP 2 – ENGINE

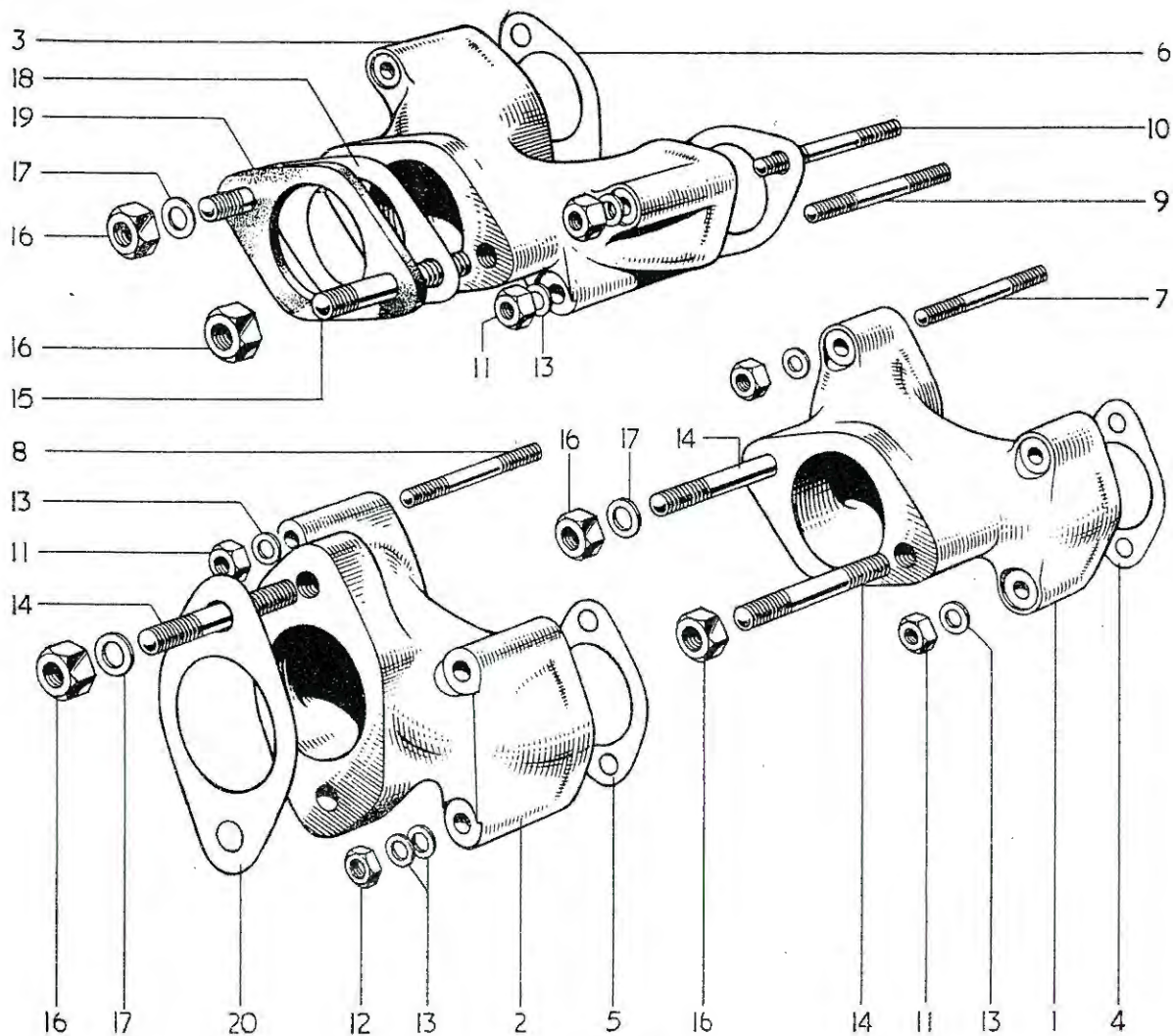


FIG. I. INLET MANIFOLDS

## INDEX

Illust. No.	Part No.	Page No.	Ref. No.	Illust. No.	Part No.	Page No.	Ref. No.
1	E3576	19	24	10	E2973	21	4
	E3304	19	27	11	W103	21	5
2	E3074	19	25	12	F879	21	6
3	E3307	19	26	13	S25-13	21	7
4	E1552	19	28	14	E1553	21	8
	E3334	19	31		E2962	21	9
5	E1676	19	29	15	E2962	21	9
6	E2967	19	30	16	SI-51	21	10
7	E1554	21	1	17	S25-3	21	11
	E2973	21	4	18	NA43A	93	10
8	E2920	21	2	19	E2968	93	11
9	E2972	21	3	20	E3075	94	3



## ENGINE — GROUP 2

REF. No.	PART No.	DESCRIPTION	5T	6T	TR5	T100	T110	TR6
1	E1554	Stud, inlet manifold to head ... $1\frac{1}{16}$ " O/A	4	—	—	—	—	—
2	E2920	Stud, inlet manifold to head ... $1\frac{3}{32}$ " O/A	—	4	—	—	—	—
3	E2972	Stud, inlet manifold to head, long $2\frac{3}{8}$ " O/A	—	—	2	2	—	—
4	E2973	Stud, inlet manifold to head, short $1\frac{5}{16}$ " O/A	—	—	2	2	4	4
5	W103	Nut, inlet manifold to head ...	4	3	4	4	4	4
6	F879	Nut, inlet manifold to head ...	—	1	—	—	—	—
7	S25-13	Washer, inlet manifold to head ...	4	5	4	4	4	4
8	E1553	Stud, carburetter fixing... $1\frac{3}{32}$ " O/A	2	2	—	—	—	—
9	E2962	Stud, carburetter fixing... $1\frac{3}{32}$ " O/A	—	—	2	2	2	2
10	SI-51	Nut, carburetter fixing ...	2	2	2	2	2	2
11	S25-3	Washer, carburetter fixing ...	1	2	1	1	1	1
12	E2415	Clip, H.T. leads to manifold ...	1	1	1	1	1	1

### VALVES, GUIDES AND SPRINGS

13	E1955	Valve, inlet ...	2	—	—	—	—	—
14	E2903	Valve, inlet ...	—	2	—	—	—	—
15	E2969	Valve, inlet ...	—	—	2	2	—	—
16	E3310	Valve, inlet ...	—	—	—	—	2	2
17	E1956	Valve, exhaust ...	2	—	2	2	—	—
18	E2904	Valve, exhaust ...	—	2	—	—	—	—
19	E3927	Valve, exhaust ...	—	—	—	—	2	2
20	E2899	Guide, inlet valve ...	2	2	2	2	2	2
21	E2900	Guide, exhaust valve ...	2	2	2	2	2	2
22	E1488	Spring, inner valve ...	4	4	4	4	4	4
23	E1487	Spring, outer valve ...	4	4	4	4	4	4
24	E1543	Collar, valve spring top ...	4	4	4	4	4	4
25	E1544	Cup, valve spring bottom ...	4	4	4	4	4	4
26	WE259A	Cotter, valve split ...	8	8	8	8	8	8

### PISTONS, RINGS, ETC.

27	CP29	Piston complete, standard CR7 : I ...	2	—	—	—	—	—
28	CP29/10	Piston complete, +.010" CR7 : I ...	A	—	—	—	—	—
29	CP29/20	Piston complete, +.020" CR7 : I ...	A	—	—	—	—	—
30	CP29/40	Piston complete, +.040" CR7 : I ...	A	—	—	—	—	—
31	CP98	Piston complete, standard CR7 : I ...	—	2	—	—	—	—
32	CP98/10	Piston complete, +.010" CR7 : I ...	—	A	—	—	—	—
33	CP98/20	Piston complete, +.020" CR7 : I ...	—	A	—	—	—	—
34	CP135	Piston complete, standard CR8 : I ...	—	—	2	2	—	—
35	CP135/10	Piston complete, +.010" CR8 : I ...	—	—	A	A	—	—
36	CP135/20	Piston complete, +.020" CR8 : I ...	—	—	A	A	—	—
37	CP163	Piston complete, standard CR8 : I ...	—	—	—	—	2	2
38	CP163/10	Piston complete, +.010" CR8 : I ...	—	—	—	—	A	A
39	CP163/20	Piston complete, +.020" CR8 : I ...	—	—	—	—	A	A
40	*CP159	Piston complete, standard CR7.5 : I ...	—	—	—	—	A	A
41	*CP159/10	Piston complete, +.010" CR7.5 : I ...	—	—	—	—	A	A
42	*CP159/20	Piston complete, +.020" CR7.5 : I ...	—	—	—	—	A	A
43	E656	Ring, piston compression, standard ...	2	—	2	2	—	—
44	E656/10	Ring, piston compression, +.010 ...	A	—	A	A	—	—

\* Supplied as standard for Australian market.

## GROUP 2 — ENGINE

REF. No.	PART No.	DESCRIPTION	5T	6T	TR5	T100	T110	TR6
1	E656/20	Ring, piston compression, +.020" ... ..	A	—	A	A	—	—
2	E656/40	Ring, piston compression, +.040" ... ..	A	—	—	—	—	—
3	E3048	Ring, piston compression, standard (Taper) ...	2	—	2	2	—	—
4	E3048/10	Ring, piston compression, +.010" (Taper) ...	A	—	A	A	—	—
5	E3048/20	Ring, piston compression, +.020" (Taper) ...	A	—	A	A	—	—
6	E3048/40	Ring, piston compression, +.040" (Taper) ...	A	—	—	—	—	—
7	E2897	Ring, piston compression, standard ... ..	—	2	—	—	2	2
8	E2897/10	Ring, piston compression, +.010" ... ..	—	A	—	—	A	A
9	E2897/20	Ring, piston compression, +.020" ... ..	—	A	—	—	A	A
10	E3049	Ring, piston compression, standard (Taper) ...	—	2	—	—	2	2
11	E3049/10	Ring, piston compression, +.010" (Taper) ...	—	A	—	—	A	A
12	E3049/20	Ring, piston compression, +.020" (Taper) ...	—	A	—	—	A	A
13	GE29	Ring, piston scraper, standard ... ..	2	—	2	2	—	—
14	GE29/10	Ring, piston scraper, +.010" ... ..	A	—	A	A	—	—
15	GE29/20	Ring, piston scraper, +.020" ... ..	A	—	A	A	—	—
16	GE29/40	Ring, piston scraper, +.040" ... ..	A	—	—	—	—	—
17	E2898	Ring, piston scraper, standard ... ..	—	2	—	—	2	2
18	E2898/10	Ring, piston scraper, +.010" ... ..	—	A	—	—	A	A
19	E2898/20	Ring, piston scraper, +.020" ... ..	—	A	—	—	A	A
20	WE203E	Pin, gudgeon ... ..	2	2	2	2	2	2
21	WE479	Circlip, gudgeon pin ... ..	4	4	4	4	4	4

Piston assemblies (Alternative Compression Ratios) and piston ring sets are available in carton packs, see pages 11 to 16.

## CRANKSHAFT AND FLYWHEEL ASSEMBLY

22	E3451	Crankshaft and flywheel assembly ... ..	1	—	1	1	—	—
23	E3452	Crankshaft and flywheel assembly ... ..	—	1	—	—	1	1
24	E3306	Flywheel ... ..	1	1	1	1	1	1
25	E3453	Crankshaft, timing side c/w stud ... ..	1	—	1	1	—	—
26	E3454	Crankshaft, timing side c/w stud ... ..	—	1	—	—	1	1
27	E3455	Plug, T/S crankshaft ... ..	1	1	1	1	1	1
28	E3329	Crankshaft, driving side c/w stud ... ..	1	—	1	1	—	—
29	E3330	Crankshaft, driving side c/w stud ... ..	—	1	—	—	1	1
30	E3114	Stud, driving side, crankshaft 1 $\frac{3}{16}$ " O/A ...	1	1	1	1	1	1
31	E1562	Bolt, crankshaft to flywheel 1 $\frac{3}{32}$ " U/H ...	6	6	6	6	6	6
32	W103	Nut, crankshaft to flywheel bolt ... ..	6	6	6	6	6	6
33	E3456	Oil tube, crankshafts ... ..	1	1	1	1	1	1



## ENGINE — GROUP 2

REF. No.	PART No.	DESCRIPTION	5T	6T	TR5	T100	T110	TR6
<b>CONNECTING RODS</b>								
1	E3606	Connecting rod, complete ... ..	2	2	2	2	2	2
2	E3586	Bearing, connecting rod big end ... ..	4	4	4	4	4	4
3	E1511	Bush, connecting rod small end ... ..	2	2	2	2	2	2
4	E2490A	Bolt, connecting rod to cap 2 $\frac{3}{16}$ " U/H ...	4	4	4	4	4	4
5	E2922	Nut, connecting rod to cap bolt ... ..	4	4	4	4	4	4

**Note.**—Connecting rod assembly does not include E3586 big end bearings. These bearings are also available in 0.010" and 0.020" undersizes.

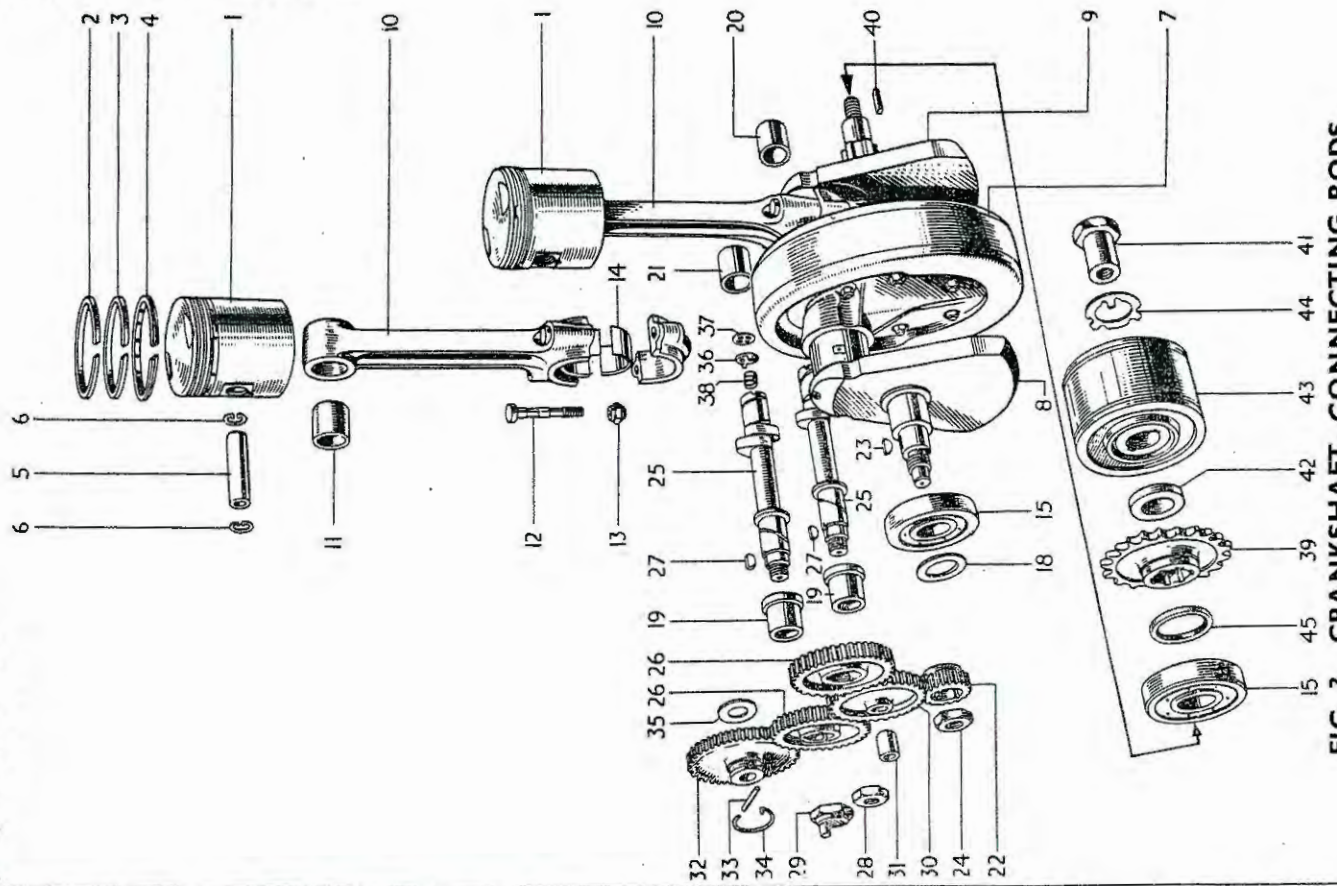
## CRANKCASE

6	E2220A/3281	Crankcase assembly less main bearings ...	—	—	1	1	—	—
7	E2892/3314	Crankcase assembly less main bearings ...	1	1	—	—	—	—
8	E2892/3282	Crankcase assembly less main bearings ...	—	—	—	—	1	1
9	E672	Stud, crankcase cylinder base ... 1 $\frac{5}{8}$ " O/A	6	6	6	6	6	6
10	E3523	Stud, crankcase cylinder base (Dowel) 1 $\frac{5}{8}$ " O/A	2	2	2	2	2	2
11	W76	Nut, crankcase cylinder base stud ... ..	4	4	—	—	4	4
12	PO172A	Nut, crankcase cylinder base stud ... ..	4	4	—	—	4	4
13	E2412	Nut, crankcase cylinder base stud ... ..	—	—	8	8	—	—
14	GS308	Washer, crankcase cylinder base stud ...	—	—	8	8	—	—
15	E1534A	Dowel, crankcase cylinder base stud (E3523)	2	2	2	2	2	2
16	E1579	Dowel, crankcase halves ... ..	1	1	1	1	1	1
17	E1534A	Dowel, crankcase halves hollow ... ..	1	1	1	1	1	1
18	E2022	Stud, magneto/distributor to crankcase 1 $\frac{5}{8}$ " O/A	3	3	3	3	3	3
19	F1008	Nut, magneto to crankcase stud ... ..	—	—	3	3	3	3
20	S25-3	Washer, magneto to crankcase stud ... ..	—	—	3	3	3	3
21	S1-51	Nut, distributor to crankcase stud ... ..	3	3	—	—	—	—
22	E1539	Stud, oil junction block 1 $\frac{7}{16}$ " O/A ... ..	1	1	1	1	1	1
23	S1-51	Nut, oil junction block stud ... ..	1	1	1	1	1	1
24	S23-3	Washer, oil junction block stud ... ..	1	1	1	1	1	1
25	E1532	Dowel, oil junction block ... ..	1	1	1	1	1	1
26	E1535	Dowel, crankcase to timing cover ... ..	1	1	1	1	1	1

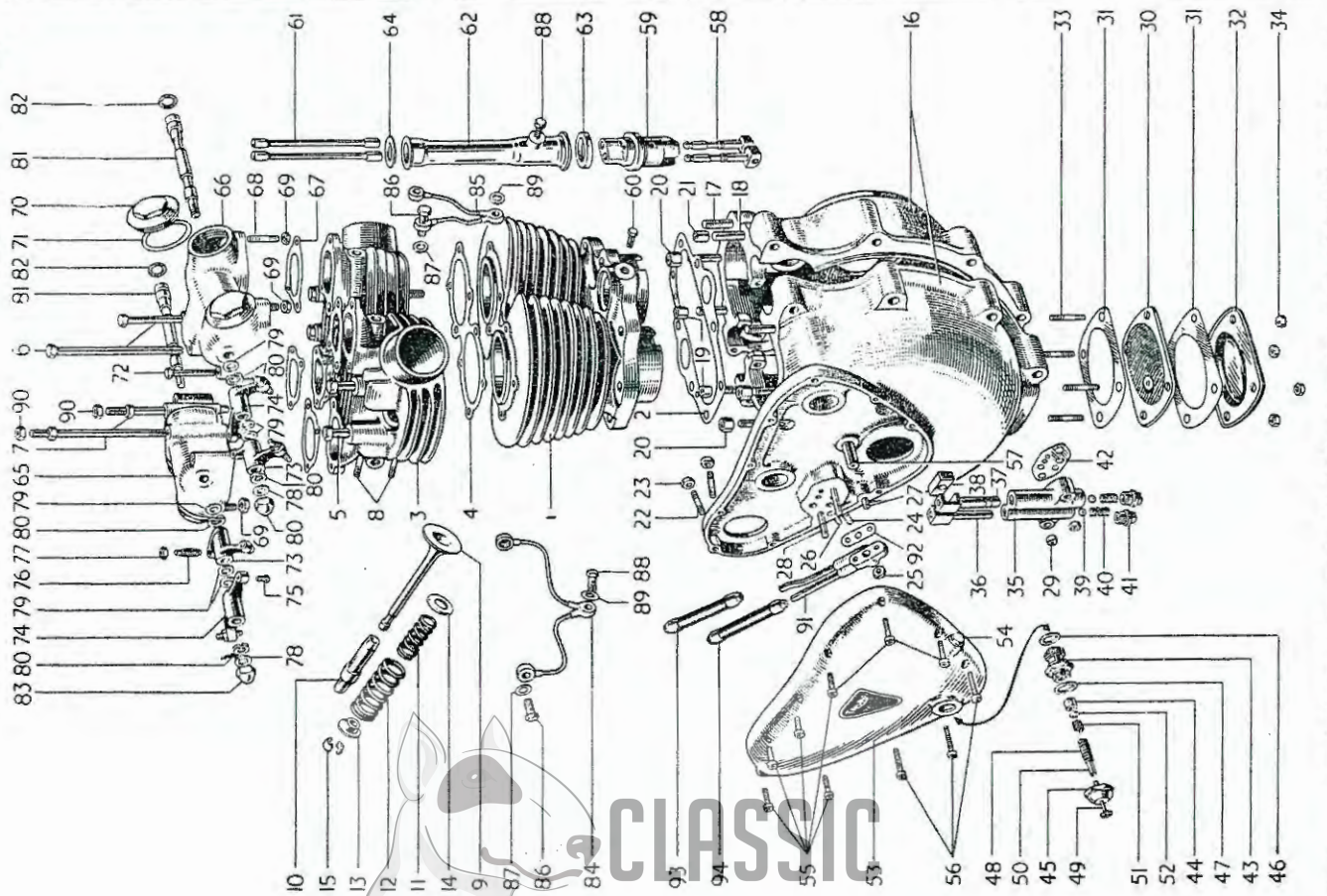


**GROUP 2 - ENGINE**

**SPEED TWIN (5T) ENGINE**



**FIG. 3. CRANKSHAFT, CONNECTING RODS, PISTONS, TIMING GEAR, etc.**



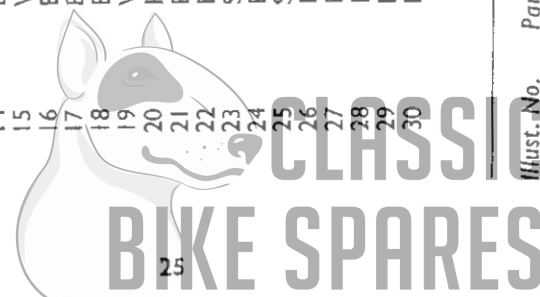
**FIG. 2. CRANKCASE, CYLINDER BLOCK, CYLINDER HEAD, etc.**

# ENGINE - GROUP 2

Illust. No.	Part No.	Page No.	Ref. No.	Illust. No.	Part No.	Page No.	Ref. No.	Illust. No.	Part No.	Page No.	Ref. No.
1	E3525	19	1	31	E487	32	8	63	E1496	34	15
2	E2894	19	6	32	E486	32	9	64	E3547	34	16
3	E2928	19	7	33	E1540	32	10	65	E1461T	34	17
4	E2248	19	13	34	F879	32	12	66	E1462T	34	19
5	E327	19	16	35	GS35	32	27	67	E1650	34	21
6	E1484	19	17	36	GS153	32	28	68	E1540	34	23
7	E1596	19	18	37	E1476	32	29	69	F879	34	25
8	E1554	21	1	38	E495	32	30	70	E1564	34	27
9	E1955	21	13	39	S70-7	32	31	71	E1577	34	28
10	E1956	21	17	40	E403	32	32	72	E1545	34	29
11	E2899	21	20	41	E2360	32	33	73	E1457	34	32
12	E2900	21	21	42	E1537	32	34	74	E1458	34	33
13	E1488	21	22	43	E2794	33	2	75	E1483	34	34
14	E1487	21	23	44	GS251	33	3	76	E1513	34	35
15	E1543	21	24	45	E2790	33	4	77	E470	34	36
16	E1544	21	25	46	E1670	33	5	78	E1330	35	1
17	WE259A	21	26	47	GS254	33	6	79	E1575	35	2
18	E2892/3314	23	7	48	E2788	33	7	80	E1574	35	3
19	E672	23	9	49	E2791	33	8	81	E1512	35	4
20	E3523	23	10	50	E2793	33	9	82	E3253	35	5
21	W76	23	11	51	E2789	33	10	83	E1435	35	6
22	PO172A	23	12	52	E2792	33	11	84	GS272	35	10
23	E1534A	23	15	53	E3110/5T	33	12	85	GS273	35	11
24	E2022	23	18	54	E2615	33	24	86	E1601	35	12
25	SI-51	23	21	55	E3437	33	26	87	E1335	35	14
26	E1539	23	22	56	E3439	33	27	88	E984	35	15
27	SI-51	23	23	57	E375	33	39	89	E1880	35	16
28	E1532	23	25	58	E3059	34	6	90	SI52	50	19
29	E1535	23	26	59	E1477	34	7	91	E3355	74	23
30	E1536	32	1	60	H200	34	9	92	E1529	74	24
31	F879	32	2	61	E1693	34	11	93	E3354	74	22
32	E529	32	7	62	E1505	34	13	94	E3353	74	21

## INDEX FIG. 3

Illust. No.	Part No.	Page No.	Ref. No.	Illust. No.	Part No.	Page No.	Ref. No.	Illust. No.	Part No.	Page No.	Ref. No.
1	CP29	21	27	15	E1591	32	13	31	E400	33	38
2	E656	21	43	18	E3300	32	19	32	E3123	33	40
3	E3048	22	3	19	E1479	32	15	33	E3125	33	41
4	GE29	22	13	20	E1516	32	16	34	E3126	33	42
5	WE203E	22	20	21	E2260	32	17	35	146460	33	43
6	WE479	22	21	22	E1472	33	28	36	E2254	34	1
7	E3306	22	24	23	E1580	33	29	37	GS87	34	2
8	E3453	22	25	24	E398	33	30	38	E2256	34	3
9	E3329	22	28	25	E3275	33	31	39	E3108/22	35	18
10	E3606	23	1	26	E1486A	33	33	40	E3115	35	27
11	E1511	23	3	27	E1558	33	34	41	E3435	35	28
12	E2490A	23	4	28	E1492	33	35	42	E3116	35	31
13	E2922	23	5	29	E1463	33	36	43	465969	104	2
14	3586	23	2	30	E1471	33	37	44	465672	104	10
								45	H1168	32	14





# THUNDERBIRD (6T ENGINE)

## GROUP 2 — ENGINE

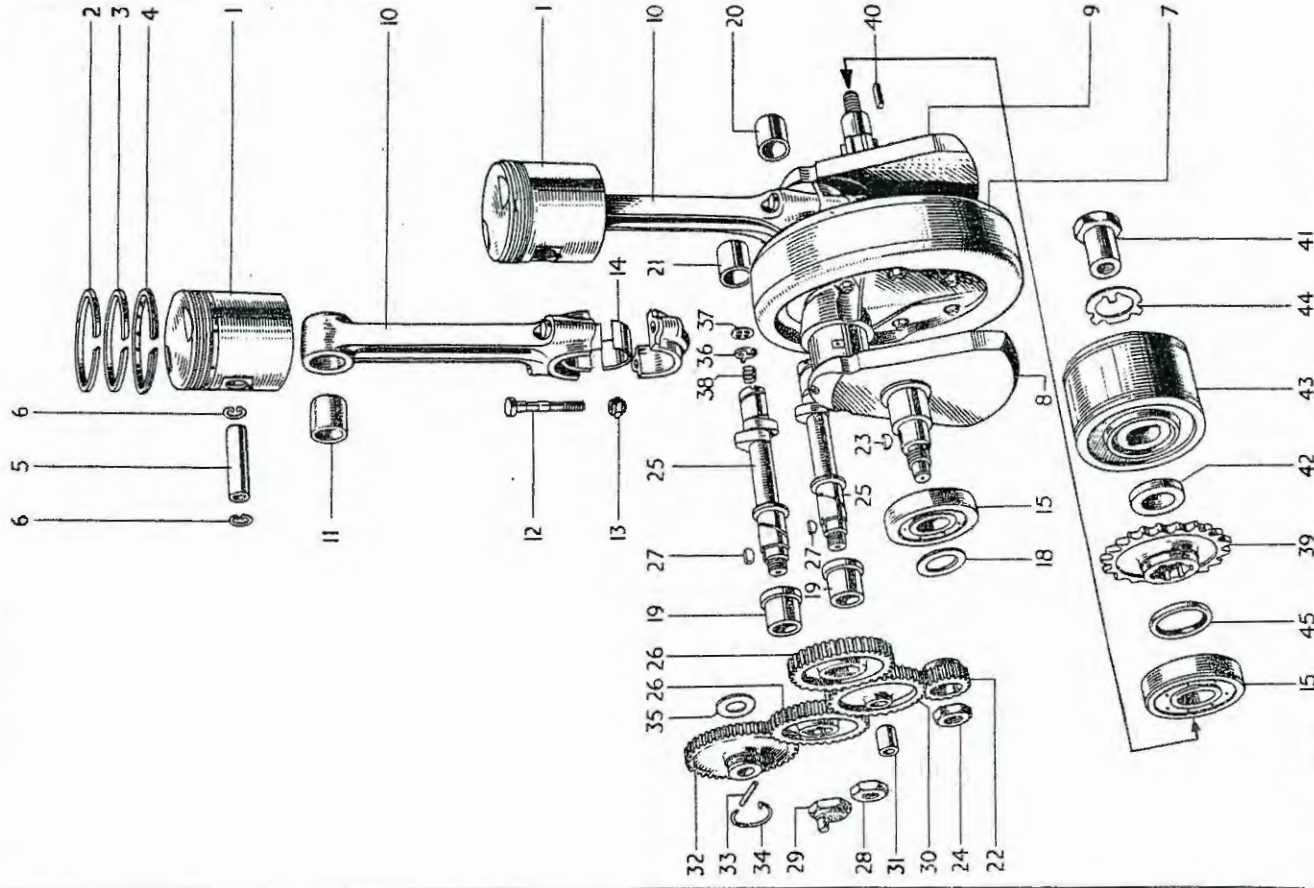


FIG. 5. CRANKSHAFT, CONNECTING RODS, PISTON TIMING GEAR, etc.

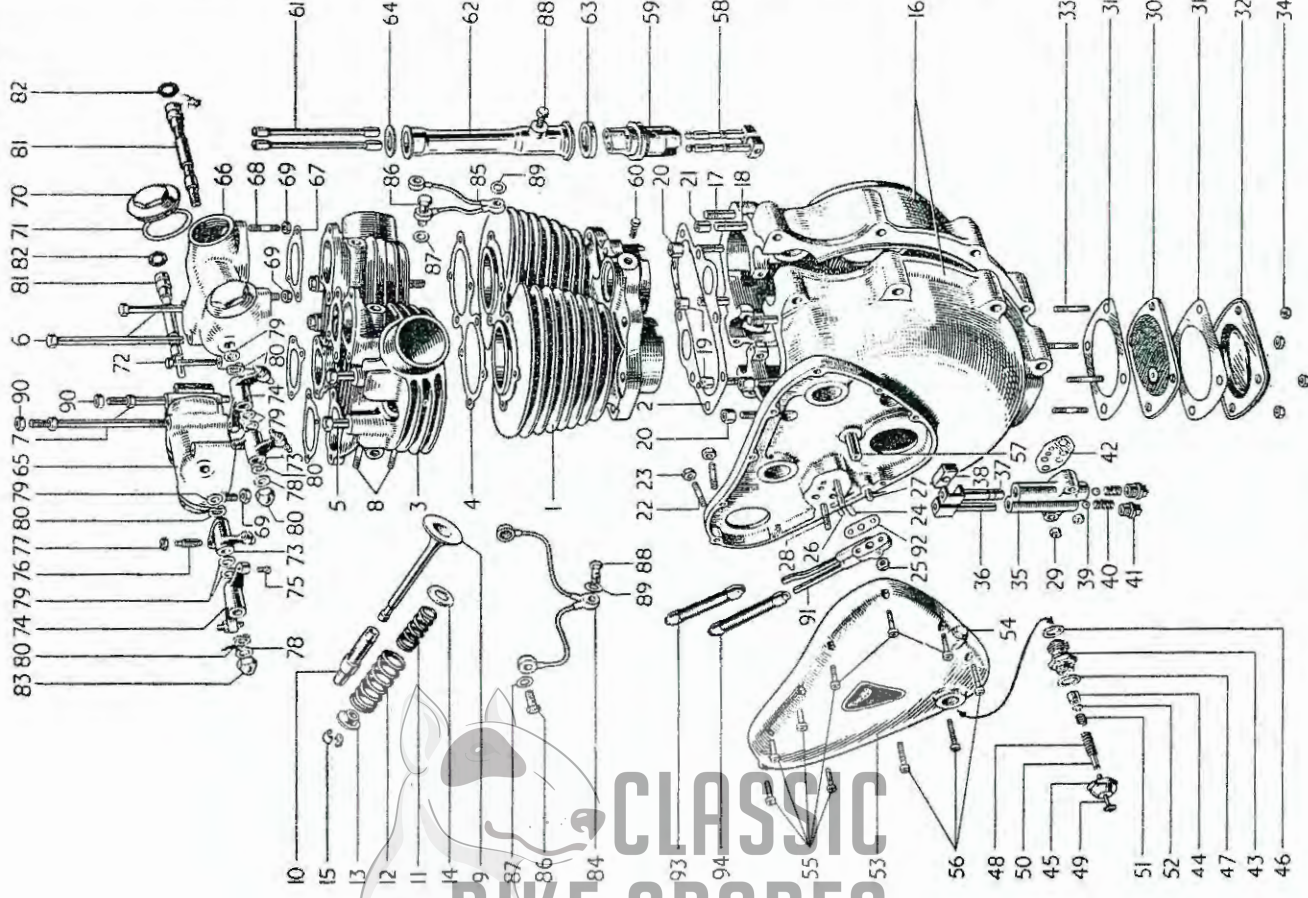


FIG. 4. CRANKCASE, CYLINDER BLOCK, CYLINDER HEAD, etc.

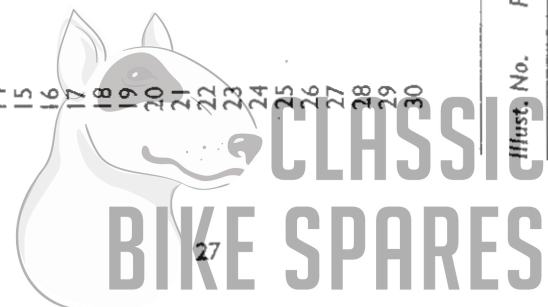
# ENGINE — GROUP 2

## INDEX FIG. 4

Illust. No.	Part No.	Page No.	Ref. No.	Illust. No.	Part No.	Page No.	Ref. No.	Illust. No.	Part No.	Page No.	Ref. No.
1	E3332	19	2	31	E487	32	8	63	E1469	34	15
2	E2894	19	6	32	E486	32	9	64	E3547	34	16
3	E3873	19	8	33	E1540	32	10	65	E1461T	34	17
4	E3614	19	14	34	F879	32	12	66	E1462T	34	19
5	E327	19	16	35	GS35	32	27	67	E1650	34	21
6	E1484	19	17	36	GS153	32	28	68	E1540	34	23
7	E1596	19	18	37	E1476	32	29	69	F879	34	25
8	E2920	21	2	38	E495	32	30	70	E1564	34	27
9	E2903	21	14	39	S70-7	32	31	71	E1577	34	28
10	E2904	21	18	40	E403	32	32	72	E1545	34	29
11	E2899	21	20	41	E2360	32	33	73	E1457	34	32
12	E2900	21	21	42	E1537	32	34	74	E1458	34	33
13	E1488	21	22	43	E2794	33	2	75	E1483	34	34
14	E1487	21	23	44	GS251	33	3	76	E1513	34	35
15	E1543	21	24	45	E2790	33	4	77	E470	34	36
16	E1544	21	25	46	E1670	33	5	78	E1330	35	1
17	WE259A	21	26	47	GS254	33	6	79	E1575	35	2
18	E2892/3314	23	7	48	E2788	33	7	80	E1574	35	3
19	E672	23	9	49	E2791	33	8	81	E1512	35	4
20	E3523	23	10	50	E2793	33	9	82	E3253	35	5
21	W76	23	11	51	E2789	33	10	83	E1435	35	6
22	PO172A	23	12	52	E2792	33	11	84	GS272	35	10
23	E1534A	23	15	53	E3310/6T	33	13	85	GS273	35	11
24	E2022	23	18	54	E2615	33	24	86	E1601	35	12
25	SI-51	23	21	55	E3437	33	26	87	E1335	35	14
26	SI-51	23	22	56	E3439	33	27	88	E984	35	15
27	E1532	23	23	57	E375	33	39	89	F1880	35	16
28	E1535	23	25	58	E3059	34	6	90	SI-52	50	19
29	E1536	32	26	59	E1477	34	7	91	E3355	74	23
30	F879	32	1	60	H200	34	9	92	E1529	74	24
	E529	32	7	61	E1693	34	11	93	E3354	74	22
				62	E1505	34	13	94	E3353	74	21

## INDEX FIG. 5

Illust. No.	Part No.	Page No.	Ref. No.	Illust. No.	Part No.	Page No.	Ref. No.	Illust. No.	Part No.	Page No.	Ref. No.
1	CP98	21	31	18	E3300	32	19	33	E3125	33	41
2	E2897	22	7	19	E1479	32	15	34	E3126	33	42
3	E3049	22	10	20	E1516	32	16	35	146460	33	43
4	E2898	22	17	21	E2200	32	17	36	E2254	34	1
5	WE203E	22	20	22	E1472	33	28	37	GS87	34	2
6	WE479	22	21	23	E1580	33	29	38	E2256	34	3
7	E3306	22	24	24	E398	33	30	39	E3108/24	35	20
8	E3454	22	26	25	E3275	33	31	40	E3115	35	27
9	E3330	22	29	26	E1486A	33	33	41	E3435	35	28
10	E3606	23	1	27	E1558	33	34	42	E3116	35	31
11	E1511	23	3	28	E1492	33	35	43	465969	104	2
12	E2490A	23	4	29	E1463	33	36	44	465672	104	10
13	E2922	23	5	30	E1471	33	37	45	H1168	32	14
14	E3586	23	2	31	E400	33	38				
15	E1591	32	13	32	E3123	33	40				





# TROPHY (TR5) AND TIGER I00 (T100) ENGINE

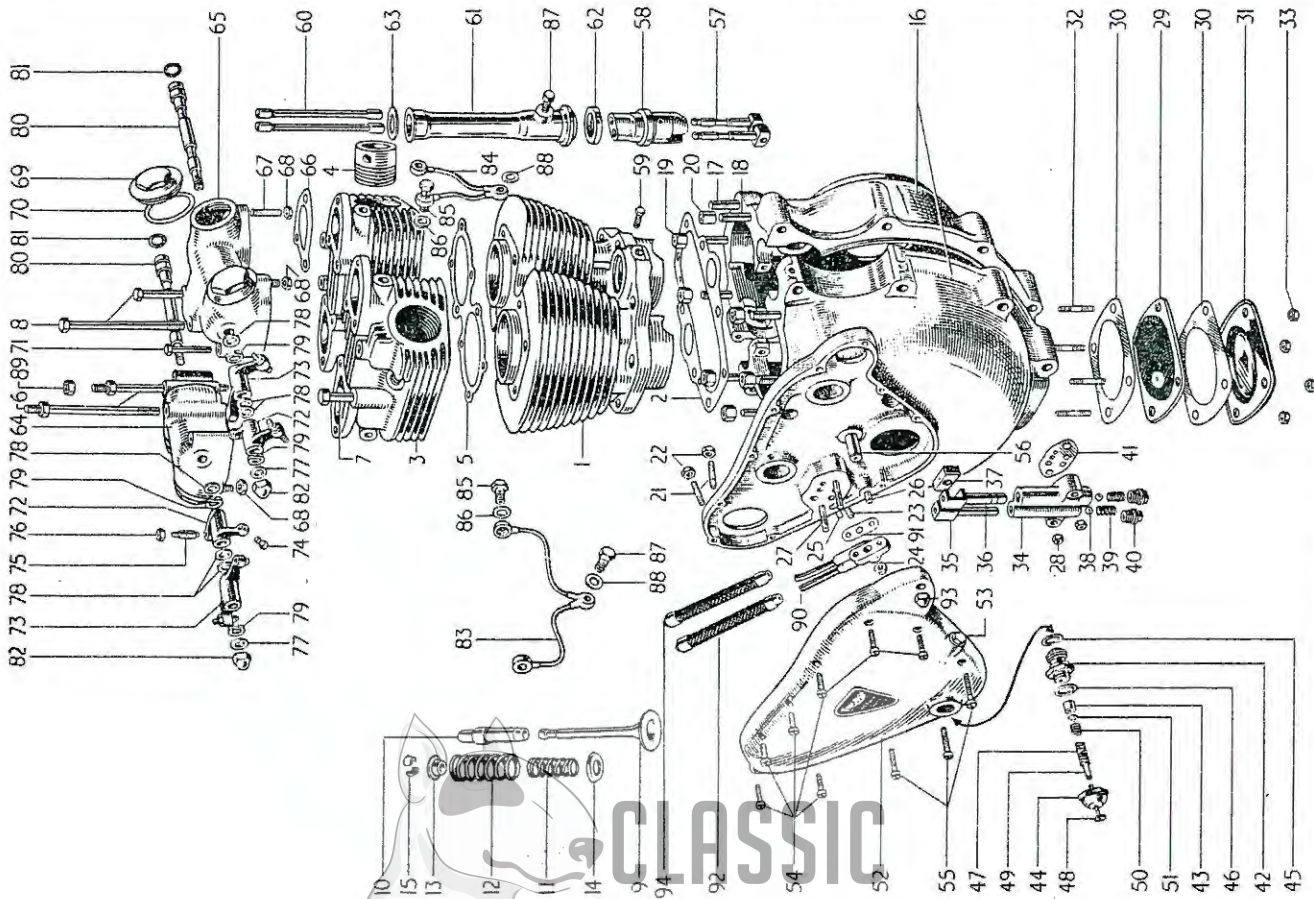


FIG. 6. CRANKCASE, CYLINDER BLOCK, CYLINDER HEAD, etc.

# GROUP 2 - ENGINE

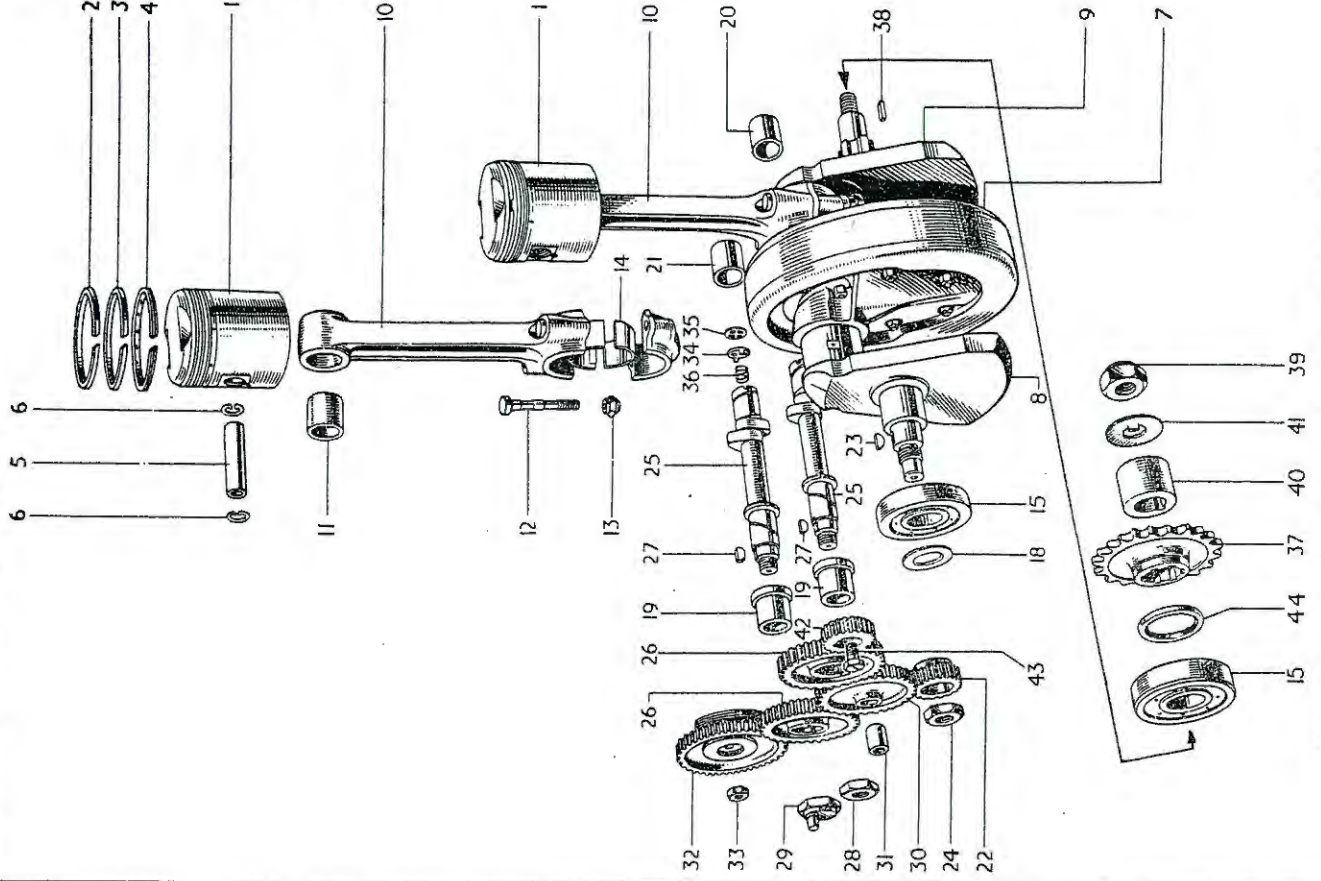


FIG. 7. CRANKSHAFT, CONNECTING RODS, PISTONS, TIMING GEARS, etc.

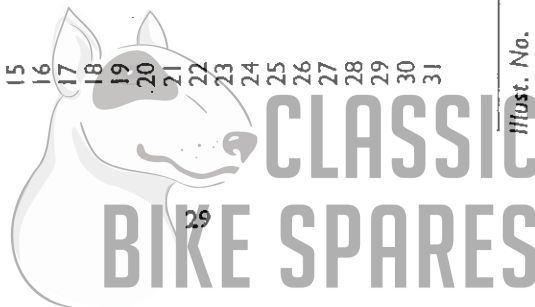
# ENGINE - GROUP 2

INDEX FIG. 6

Illust. No.	Part No.	Page No.	Ref. No.	Illust. No.	Part No.	Page No.	Ref. No.	Illust. No.	Part No.	Page No.	Ref. No.
1	E3591	19	3	32	E1540	32	10	64	E1461T	34	17
2	E2249	19	5	33	F879	32	12	65	E1462T	34	19
3	E3593	19	9	34	GS35	32	27	66	E1650	34	21
4	E2961	19	11	35	GS153	32	28	67	E2980	34	24
5	E3003	19	15	36	E1476	32	29	68	F879	34	25
6	E1596A	19	19	37	E495	32	30	69	E1564	34	27
7	E2873	19	20	38	S70-7	32	31	70	E1577	34	28
8	E2874	19	21	39	E403	32	32	71	E2982	34	30
9	E2969	21	15	40	E2360	32	33	72	E1457	34	32
10	E1956	21	17	41	E1537	32	34	73	E1458	34	33
11	E2899	21	20	42	E2794	33	2	74	E1483	34	34
12	E2900	21	21	43	GS251	33	3	75	E1513	34	35
13	E1488	21	22	44	E2790	33	4	76	E470	34	36
14	E1543	21	24	45	E1670	33	5	77	E1330	35	1
15	E1544	21	25	46	GS254	33	6	78	E1575	35	2
16	WE259A	21	26	47	E2788	33	7	79	E1574	36	3
17	E220A/3281	23	6	48	E2791	33	8	80	E1512	35	4
18	E672	23	9	49	E2793	33	9	81	E3253	35	5
19	E3523	23	10	50	E2789	33	10	82	E1435	35	6
20	E2412	23	13	51	E2792	33	11	83	GS272	35	10
21	E1534A	23	15	52	E2218/T100	33	15	84	GS273	35	11
22	E2022	23	18	53	E2218/Trophy	33	14	85	E2767	35	13
23	F1008	23	19	54	E2615	33	24	86	E1335	35	14
24	E1539	23	22	55	E3437	33	26	87	E984	35	15
25	SI-51	23	23	56	E3439	33	27	88	F1880	35	16
26	E1532	23	25	57	E375	33	39	89	SI-52	50	19
27	E1536	23	26	58	E3059	34	6	90	E3355	74	23
28	F879	32	1	59	GS36	34	8	91	E1529	74	24
29	E529	32	2	60	H200	34	9	92	E3353	74	21
30	E487	32	7	61	E2620	34	12	93	E2228	98	24
31	E486	32	8	62	E1505	34	13	94	E3354	74	22
			9	63	E1496	34	15				
					E3547	34	16				

INDEX FIG. 7

Illust. No.	Part No.	Page No.	Ref. No.	Illust. No.	Part No.	Page No.	Ref. No.	Illust. No.	Part No.	Page No.	Ref. No.
1	CPI35	21	34	15	E1591	32	13	30	E1471	33	37
2	E656	21	43	18	E3300	32	19	31	E400	33	38
3	E3048	22	3	19	E1479	32	15	32	E2741	33	44
4	GE29	22	13	20	E1516	32	16	33	170104	33	45
5	WE203E	22	20	21	E2260	32	17	34	E2254	34	1
6	WE479	22	21	22	E1472	32	28	35	GS87	34	2
7	E3306	22	24	23	E1580	32	29	36	E2256	34	3
8	E3453	22	25	24	E398	32	30	37	E3108/21	35	21
9	E3329	22	28	25	E3275	33	31	38	E3108/22	35	18
10	E3606	23	1	26	E3325	33	32	39	E3115	35	27
11	E1511	23	3	27	E1486A	33	33	40	E3120	35	29
12	E2490A	23	4	28	E1558	33	34	41	E3384	35	30
13	E2922	23	5	29	E1492	33	35	42	E3119	35	32
14	E3586	23	2	29	E1463	33	36	43	E2451	98	21
								44	111704	98	22
									H1168	32	14





# TROPHY (TR6) AND TIGER 110 (T110) ENGINE

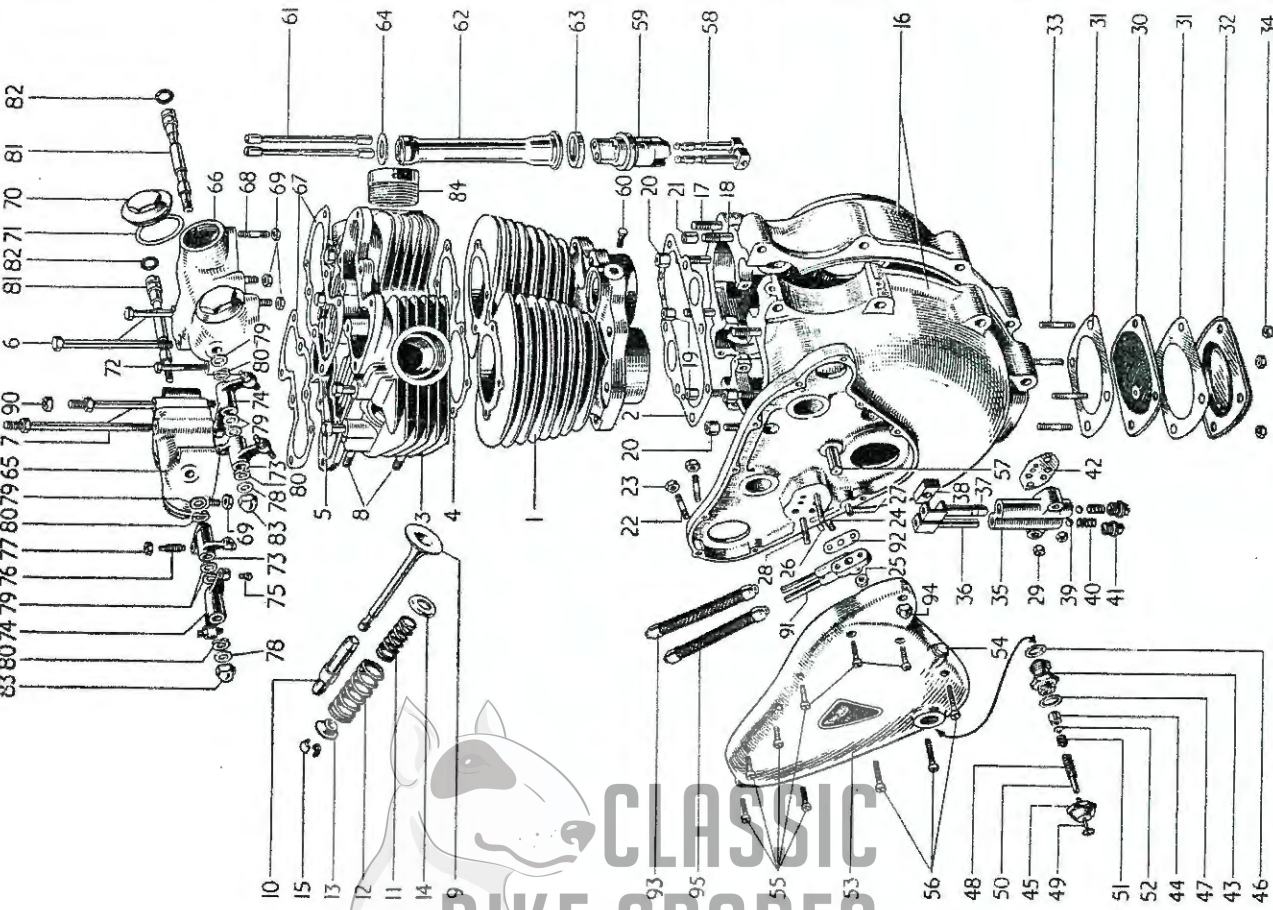


FIG. 8. CRANKCASE, CYLINDER BLOCK, CYLINDER HEAD, etc.

# GROUP 2 - ENGINE

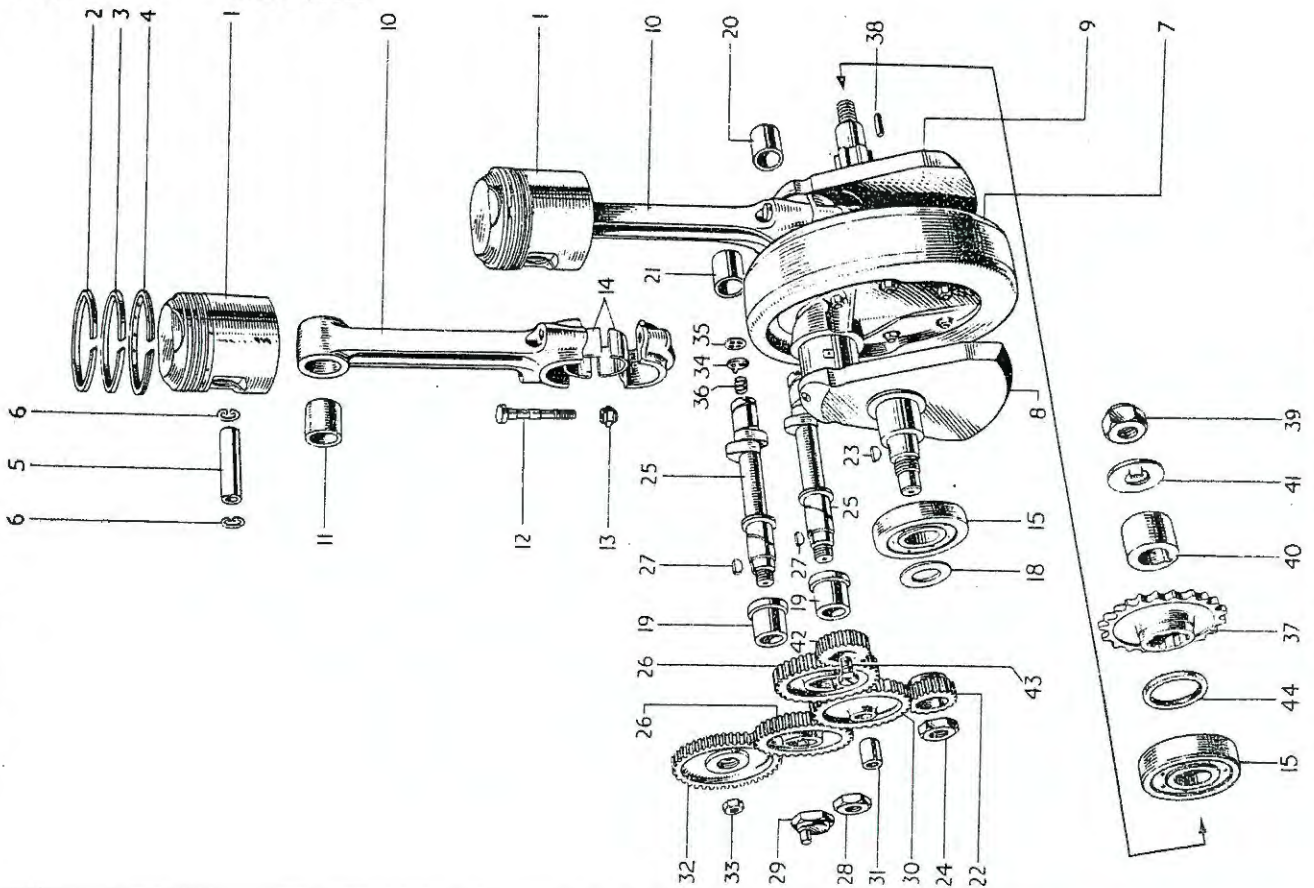


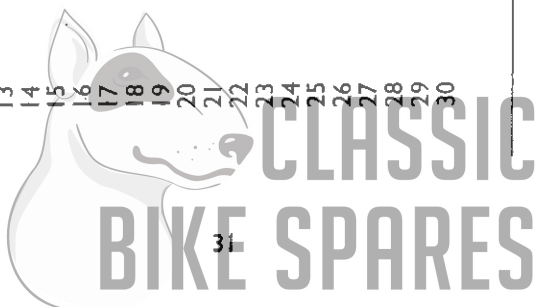
FIG. 9. CRANKSHAFT, CONNECTING RODS, PISTONS, TIMING GEARS, etc.

CLASSIC BIKE SPARES

Illust. No.	Part No.	Page No.	Ref. No.	Illust. No.	Part No.	Page No.	Ref. No.	Illust. No.	Part No.	Page No.	Ref. No.
1	E3332	19	2	31	E487	32	8	62	E3646	34	14
2	E3332/TR6	19	4	32	E486	32	9	63	E1496	34	15
3	E2894	19	6	33	E1540	32	10	64	E3547	34	16
4	E3924	19	10	34	F879	32	12	65	E3550	34	18
5	E3614	19	14	35	GS35	32	27	66	E3551	34	20
6	E327	19	16	36	GS153	32	28	67	E3552	34	22
7	E1484	19	17	37	E1476	32	29	68	E2980	34	24
8	E1596	19	18	38	E495	32	30	69	F879	34	25
9	E2973	21	4	39	S70-7	32	31	70	E1564	34	27
10	E3310	21	16	40	E403	32	32	71	E1577	34	28
11	E3927	21	19	41	E2360	32	33	72	E1545	34	29
12	E2899	21	20	42	E1537	32	34	73	E1457	34	32
13	E2900	21	21	43	E2794	33	2	74	E1458	34	33
14	E1488	21	22	44	GS251	33	3	75	E1483	34	34
15	E1487	21	23	45	E2790	33	4	76	E1513	34	35
16	E1543	21	24	46	E1670	33	5	77	E470	34	36
17	E1544	21	25	47	GS254	33	6	78	E1330	35	1
18	WE259A	21	26	48	E2788	33	7	79	E1575	35	2
19	E2892/3282	23	8	49	E2791	33	8	80	E1574	35	3
20	E672	23	9	50	E2793	33	9	81	E1512	35	4
21	E3253	23	10	51	E2789	33	10	82	E3253	35	5
22	W76	23	11	52	E2792	33	11	83	E1435	35	6
23	PO172A	23	12	53	E2218/T110	33	16	84	E3583	19	12
24	E1534A	23	15	54	E2218/Trophy	33	14	90	S1-52	50	19
25	E2022	23	18	55	E2615	33	24	91	E3335	74	23
26	F1008	23	19	56	E3437	33	26	92	E1529	74	24
27	E1539	23	22	57	E3439	33	27	93	E3353	74	21
28	S1-51	23	23	58	E375	33	39	94	E2228	98	24
29	E1532	23	25	59	E3059	34	6	95	E3354	74	22
30	E1535	23	26	60	E1477	34	7				
31	E1536	32	1	61	H200	34	9				
32	F879	32	2		E2620	34	12				
33	E529	32	7								

INDEX FIG. 9

Illust. No.	Part No.	Page No.	Ref. No.	Illust. No.	Part No.	Page No.	Ref. No.	Illust. No.	Part No.	Page No.	Ref. No.
1	CP163	21	37	15	E1591	32	13	31	E400	33	38
2	E2897	22	7	18	E3300	32	19	32	E2741	33	44
3	E3049	22	10	19	E1479	32	15	33	170104	33	45
4	E2898	22	17	20	E1516	32	16	34	E2254	34	1
5	WE203E	22	20	21	E2260	32	17	35	GS87	34	2
6	WE479	22	21	22	E1472	33	28	36	E2256	34	3
7	E3306	22	24	23	E1580	33	29	37	E3108/24	35	20
8	E3454	22	26	24	E398	33	30	38	E3115	35	27
9	E3330	22	29	25	E3325	33	32	39	E3120	35	29
10	E3606	23	1	26	E1486A	33	33	40	E3384	35	30
11	E1511	23	3	27	E1558	33	34	41	E3119	35	32
12	E2490A	23	4	28	E1492	33	35	42	E2451	98	21
13	E2922	23	5	29	E1463	33	36	43	111704	98	22
14	E3586	23	2	30	E1471	33	37	44	H1168	32	14





## GROUP 2 — ENGINE

REF. No.	PART No.	DESCRIPTION	5T	6T	TR5	T100	T110	TR6
1	E1536	Stud, oil pump fixing 1 $\frac{7}{16}$ " O/A ... ..	2	2	2	2	2	2
2	F879	Nut, oil pump fixing stud ... ..	2	2	2	2	2	2
3	E2312	Washer, oil pump fixing stud ... ..	2	2	2	2	2	2
4	E1508	Pipe, crankcase oil return ... ..	1	1	1	1	1	1
5	E1509	Clip, crankcase oil return pipe ... ..	1	1	1	1	1	1
6	E1645	Screw, crankcase oil return pipe $\frac{3}{16}$ " U/H ...	1	1	1	1	1	1

### CRANKCASE OIL FILTER

7	E529	Filter, crankcase oil ... ..	1	1	1	1	1	1
8	E487	Washer, crankcase oil filter joint ... ..	2	2	2	2	2	2
9	E486	Cover, crankcase oil filter joint ... ..	1	1	1	1	1	1
10	E1540	Stud, crankcase oil filter joint $\frac{3}{8}$ " O/A ...	4	4	4	4	4	4
11	E1612	Washer, crankcase oil filter stud locking ...	4	4	4	4	4	4
12	F879	Nut, crankcase oil filter ... ..	4	4	4	4	4	4

### CRANKCASE BEARINGS

13	E1591	Bearing, crankshaft (ball journal) ... ..	2	2	2	2	2	2
14	H1168	Oil Seal, L.H. Bearing ... ..	1	1	1	1	1	1
15	E1479	Bush, timing side camshaft ... ..	2	2	2	2	2	2
16	E1516	Bush, driving side camshaft (exhaust)... ..	1	1	1	1	1	1
17	E2260	Bush, driving side camshaft (breather) ... ..	1	1	1	1	1	1
18	E2311	Pin, timing side camshaft (breather) ... ..	1	1	1	1	1	1
19	E3300	Clamping Washer, T/S bearing ... ..	1	1	1	1	1	1

### STUDS AND BOLTS FOR CRANKCASE HALVES

20	E1555	Bolt, crankcase top rear ... ..	1	1	1	1	1	1
21	S25-3	Washer, crankcase top rear bolt ... ..	1	1	1	1	1	1
22	T456	Stud, crankcase bottom front $3\frac{1}{2}$ " O/A ...	1	1	1	1	1	1
23	SI-51	Nut, crankcase bottom front stud ... ..	2	2	2	2	2	2
24	S25-3	Washer, crankcase bottom front stud ... ..	2	2	2	2	2	2
25	E1647	Screw, crankcase inside boss $\frac{1}{2}$ " U/H ...	2	2	2	2	2	2

FOR ENGINE PLATE STUDS SEE PAGE 52.

### OIL PUMP

26	E3072	Pump, assembly, oil ... ..	1	1	1	1	1	1
27	GS35	Body, oil pump ... ..	1	1	1	1	1	1
28	GS153	Plunger, oil pump feed ... ..	1	1	1	1	1	1
29	E1476	Plunger, oil pump scavenge ... ..	1	1	1	1	1	1
30	E495	Block, oil pump slider ... ..	1	1	1	1	1	1
31	S70-7	Ball, oil pump valve ... ..	2	2	2	2	2	2
32	E403	Spring, oil pump valve ... ..	2	2	2	2	2	2
33	E2360	Plug, oil pump body ... ..	2	2	2	2	2	2
34	E1537	Washer, oil pump joint ... ..	1	1	1	1	1	1

## ENGINE — GROUP 2

REF. No.	PART No.	DESCRIPTION	5T	6T	TR5	T100	T110	TR6
<b>OIL RELEASE VALVE</b>								
1	E2795	Valve, release and oil indicator ... ..						
2	E2794	Body, release valve ... ..						
3	GS251	Piston, release valve ... ..						
4	E2790	Cap, release valve ... ..						
5	E1670	Washer, release valve body ... ..						
6	GS254	Washer, release valve cap ... ..						
7	E2788	Spring, release valve main ... ..						
8	E2791	Shaft, indicator button ... ..						
9	E2793	Tube, indicator rubber ... ..						
10	E2789	Spring, indicator auxiliary ... ..						
11	E2792	Nut, indicator shaft ... ..						
<b>TIMING COVER</b>								
12	E3110/5T	Cover, timing gear ... ..		—	—	—	—	—
13	E3110/6T	Cover, timing gear ... ..	—		—	—	—	—
14	E2218/TROPHY	Cover, timing gear ... ..	—	—		—	—	
15	E2218/T100	Cover, timing gear ... ..	—	—	—		—	—
16	E2218/T110	Cover, timing gear ... ..	—	—	—	—		—
17	E1595	Patent plate ... ..		—	—	—	—	—
18	E2909	Patent plate ... ..	—		—	—	—	—
19	E2876	Patent plate ... ..	—	—		—	—	
20	E1678	Patent plate ... ..	—	—	—		—	—
21	E2910	Patent plate ... ..	—	—	—	—		—
22	D208-5	Rivet, patent plate ... ..	3	3	3	3	3	3
23	E378	Bush, timing gear cover ... ..						
24	E2615	Plug, timing gear cover ... ..						
25	E1335	Washer, timing gear cover plug ... ..						
26	E3437	Screw, timing gear cover (short) $\frac{16}{16}$ " U/H	7	7	7	7	7	7
27	E3439	Screw, timing gear cover (long) $1\frac{3}{16}$ " U/H	3	3	3	3	3	3
<b>TIMING GEARS AND CAMSHAFTS</b>								
28	E1472	Pinion, timing ... ..						
29	E1580	Key, timing pinion ... ..						
30	E398	Nut, timing pinion ... ..						
31	E3275	Camshaft, inlet and exhaust ... ..	2	2	—	2	—	—
32	E3325	Camshaft, inlet and exhaust ... ..	—	—	2	—	2	2
33	E1486A	Wheel, inlet and exhaust camshaft ... ..	2	2	2	2	2	2
34	E1558	Key, camshaft wheel ... ..	2	2	2	2	2	2
35	E1492	Nut, camshaft wheel exhaust ... ..						
36	E1463	Nut, camshaft wheel inlet (pump drive) ... ..						
37	E1471	Wheel, intermediate gear ... ..						
38	E400	Bush, intermediate gear wheel ... ..						
39	E375	Spindle, intermediate gear wheel ... ..						
40	E3123	Pinion, distributor ... ..			—	—	—	—
41	E3125	Pin, distributor pinion ... ..			—	—	—	—
42	E3126	Circlip, distributor pinion ... ..			—	—	—	—
43	I46460	Washer, distributor pinion (brass) ... ..			—	—	—	—
44	E2741	Gear, Magneto (fixed) ... ..	—					
45	I70104	Nut, Magneto gear $\frac{3}{8}$ " std. ... ..	—					
46	E1330	Washer, Magneto gear $\frac{3}{8}$ " std. ... ..	—					



## GROUP 2 — ENGINE

REF. No.	PART No.	DESCRIPTION	5T	6T	TR5	T100	T110	TR6
<b>CRANKCASE BREATHER</b>								
1	E2254	Valve, crankcase rotary ... ..	1	1	1	1	1	1
2	GS87	Disc, crankcase rotary valve ... ..	1	1	1	1	1	1
3	E2256	Spring, crankcase rotary valve ... ..	1	1	1	1	1	1
4	E2724	Pipe, crankcase breather ... ..	1	1	1	1	1	1
5	E3078	Extension, crankcase breather pipe (rubber)	1	1	1	1	1	1
<b>TAPPETS AND TAPPET BLOCKS</b>								
6	E3059	Tappet ... ..	4	4	4	4	4	4
7	E1477	Block, tappet guide ... ..	2	2	—	—	2	2
8	GS36	Block, tappet guide ... ..	—	—	2	2	—	—
9	H200	Screw, tappet guide block lock $\frac{7}{16}$ " U/H ...	2	2	2	2	2	2
10	E2312	Washer, tappet guide block lock ... ..	2	2	2	2	2	2
<b>PUSH RODS</b>								
11	E1693	Rod, push ... ..	4	4	—	—	—	—
12	E2620	Rod, push ... ..	—	—	4	4	4	4
<b>PUSH ROD COVER TUBE</b>								
13	E1505	Tube, push rod cover ... ..	2	2	2	2	—	—
14	E3646	Tube, push rod cover ... ..	—	—	—	—	2	2
15	E1496	Washer, push rod cover lower seal ... ..	2	2	2	2	2	2
16	E3547	Washer, push rod cover upper seal ... ..	2	2	2	2	2	2
<b>OVERHEAD ROCKER GEAR</b>								
17	E1461T	Box, inlet rocker ... ..	1	1	1	1	—	—
18	E3550	Box, inlet rocker ... ..	—	—	—	—	1	1
19	E1462T	Box, exhaust rocker ... ..	1	1	1	1	—	—
20	E3551	Box, exhaust rocker ... ..	—	—	—	—	1	1
21	E1650	Gasket, rocker box joint ... ..	4	4	4	4	—	—
22	E3552	Gasket, rocker box joint ... ..	—	—	—	—	2	2
23	E1540	Stud, rocker box to cylinder head $\frac{3}{16}$ " O/A	4	4	—	—	—	—
24	E2980	Stud, rocker box to cylinder head $\frac{1}{8}$ " O/A	—	—	4	4	6	6
25	F879	Nut, rocker box to cylinder head ... ..	4	4	4	4	6	6
26	E3302	Washer, rocker box to cylinder head nut ...	—	—	4	4	6	6
27	E1564	Cap, rocker box inspection ... ..	4	4	4	4	4	4
28	E1577	Washer, rocker box inspection cap ... ..	4	4	4	4	4	4
29	E1545	Bolt, rocker box to cylinder head 2" U/H	4	4	—	—	4	4
30	E2982	Bolt, rocker box to cylinder head 2 $\frac{5}{16}$ " U/H	—	—	4	4	—	—
31	S25-13	Washer, rocker box to cylinder head ...	4	4	4	4	4	4
32	E1457	Rocker, valve R.H. ... ..	2	2	2	2	2	2
33	E1458	Rocker, valve L.H. ... ..	2	2	2	2	2	2
34	E1483	Ball pin, valve rocker ... ..	4	4	4	4	4	4
35	E1513	Adjusting pin, valve rocker ... ..	4	4	4	4	4	4
36	E470	Locknut, adjusting pin ... ..	4	4	4	4	4	4

## ENGINE — GROUP 2 GASKET SET — GROUP 3

REF. No.	PART No.	DESCRIPTION	5T	6T	TR5	T100	T110	TR6
1	E1300	Washer, valve rocker thrust $\frac{3}{8}$ " ... ..	2	2	2	2	2	2
2	E1575	Washer, valve rocker thrust $\frac{1}{2}$ " ... ..	6	6	6	6	6	6
3	E1574	Washer, valve rocker spring ... ..	4	4	4	4	4	4
4	E1512	Spindle, valve rocker ... ..	2	2	2	2	2	2
5	E3253	Sealing ring, rocker spindle (rubber) ... ..	2	2	2	2	2	2
6	E1435	Nut, valve rocker spindle (dome) ... ..	2	2	2	2	2	2
7	E1335	Washer, valve rocker spindle (copper) ... ..	4	4	4	4	4	4

### ROCKER OIL FEED AND DRAIN PIPES

8	E3082	Pipe, rocker oil feed ... ..	1	1	1	1	1	1
9	E3383	Connection feed pipe (rubber) ... ..	1	1	1	1	1	1
10	GS272	Pipe, rocker oil drain inlet ... ..	1	1	1	1	—	—
11	GS273	Pipe, rocker oil drain exhaust ... ..	1	1	1	1	—	—
12	E1601	Adaptor, drain pipe to cylinder head ... ..	4	4	—	—	—	—
13	E2767	Adaptor, drain pipe to cylinder head ... ..	—	—	4	4	—	—
14	E1335	Washer, drain pipe to cylinder head ... ..	8	8	8	8	—	—
15	E984	Adaptor, drain pipe to cover tube ... ..	2	2	2	2	—	—
16	F1880	Washer, drain pipe to cover tube ... ..	4	4	4	4	—	—

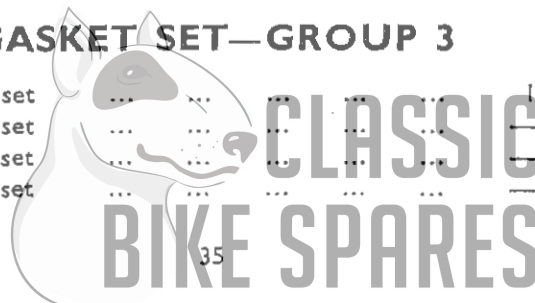
### ENGINE SPROCKET

17	E3108/19	Sprocket, engine 19T sidecar ... ..	1	—	—	1	—	—
18	E3108/22	Sprocket, engine 22T solo ... ..	1	—	—	1	—	—
19	E3108/21	Sprocket, engine 21T sidecar ... ..	—	1	—	—	1	1
20	E3108/24	Sprocket, engine 24T solo ... ..	—	1	—	—	1	1
21	E3108/21	Sprocket, engine 21T solo ... ..	—	—	1	—	—	—
22	E3108/17	Sprocket, engine 17T ... ..	} As required					
23	E3108/18	Sprocket, engine 18T ... ..						
24	E3108/20	Sprocket, engine 20T ... ..						
25	E3108/23	Sprocket, engine 23T ... ..						
26	E3108/25	Sprocket, engine 25T ... ..						
27	E3115	Key, Rotor ... ..	1	1	1	1	1	1
28	E3435	Nut, sprocket and rotor ... ..	1	1	—	—	—	—
29	E3120	Nut, engine sprocket ... ..	—	—	1	1	1	1
30	E3384	Distance Piece, D/S crankshaft... ..	—	—	1	1	1	1
31	E3116	Clamping washer, sprocket and rotor ... ..	1	1	—	—	—	—
32	E3119	Tab washer, engine sprocket nut ... ..	—	—	1	1	1	1

*For 5T and 6T Alternator and locking washer see Page 104.*

### GASKET SET—GROUP 3

33	GS/5T/56	Gasket set ... ..	—	—	—	—	—	—
34	GS/6T/56	Gasket set ... ..	1	—	—	—	—	—
35	GS/T100/56	Gasket set ... ..	—	1	1	—	—	—
36	GS/T110/56	Gasket set ... ..	—	—	—	1	1	1



## GROUP 4 — GEARBOX

REF. No.	PART No.	DESCRIPTION	5T	6T	TR5	T100	T110	TR6
<b>GEARBOX—GROUP 4</b>								
1	T1525	Gearbox complete less clutch—standard ratio			—			—
2	T1528	Gearbox complete less clutch—standard ratio	—	—		—	—	
3	T1526	Gearbox complete less clutch—close ratio ...	A	A	—	A	A	—
4	T1529	Gearbox complete less clutch—close ratio ...	—	—	A	—	—	A
5	T1527	Gearbox complete less clutch—wide ratio ...	A	A	—	A	A	—
6	T1530	Gearbox complete less clutch—wide ratio ...	—	—	A	—	—	A

### GEARBOX CASING

7	T1201	Casing, with bushes, gearbox ...						
8	T989	Dowel, casing to inner cover ...	2	2	2	2	2	2
9	E698	Stud, casing to outer cover $2\frac{7}{8}$ " O/A ...	2	2	2	2	2	2
10	S1-51	Nut, casing stud ...	2	2	2	2	2	2
11	S25-3	Washer, casing stud ...	2	2	2	2	2	2
12	T1531	Cover with bushes, gearbox inner ...						
13	T323A	Stud, inner cover to outer cover $1\frac{11}{16}$ " O/A ...						
14	S1-51	Nut, inner cover to outer cover stud ...						
15	S25-3	Washer, inner cover to outer cover stud ...						
16	E3436	Screw, inner cover to casing (long) ... $1\frac{1}{2}$ " U/H						
17	E3437	Screw, inner cover to casing ... $\frac{15}{16}$ " U/H	3	3	3	3	3	3
18	T45	Stop, kickstarter quadrant ...						
19	E732	Plug, filler ...						
20	NE507	Washer, filler plug ...						
21	T1534	Cover, with bushes, gearbox outer ...						
22	E3442	Screw, outer cover to casing (long) ... 3" U/H						
23	E3438	Screw, outer cover to casing ... $2\frac{9}{16}$ " U/H						
24	E3437	Screw, outer cover to inner cover ... $\frac{15}{16}$ " U/H	2	2	2	2	2	2
25	E3439	Screw, outer cover to inner cover (long) $1\frac{3}{10}$ " U/H						
26	T1542	Cover plate, outer cover ...						
27	T1541	Joint, washer cover plate ...						
28	E2312	Washer, cover screw ...	2	2	2	2	2	2
29	T1553	Screw, cover plate $\frac{3}{8}$ " U/H ...	2	2	2	2	2	2
30	S46-15	Plug, gearbox drain and cover level ...	2	2	2	2	2	2
31	PT104B	Washer, gearbox drain and cover level ...	2	2	2	2	2	2

### GEARBOX FITTINGS

32	F3769	Stud, gearbox clamp $4\frac{11}{16}$ " O/A ...						
33	F3770	Washer, R.H. gearbox clamp stud ...						
34	F3771	Nut, L.H. gearbox clamp stud ...						
35	F3772	Nut, R.H. gearbox clamp stud ...						



## GEARBOX — GROUP 4

REF. No.	PART No.	DESCRIPTION	5T	6T	TR5	T100	T110	TR6
----------	----------	-------------	----	----	-----	------	------	-----

### GEARBOX FITTINGS—*continued*

1	F3575	Bolt, gearbox pivot 7" U/H ... ..	1	1	1	1	1	1
2	DS47	Nut, gearbox pivot bolt ... ..	1	1	1	1	1	1
3	PCW73A	Washer, gearbox pivot bolt ... ..	1	1	1	1	1	1
4	F4422	Eyebolt, gearbox adjuster ... ..	1	1	1	1	1	1
5	G5203	Washer, eyebolt nut ... ..	2	2	2	2	2	2
6	SI-51	Nut, gearbox eyebolt ... ..	2	2	2	2	2	2
7	F3767	Pivot pin, gearbox adjuster ... ..	1	1	1	1	1	1
8	S26-1	Washer, pivot pin ... ..	1	1	1	1	1	1
9	PO172A	Nut, pivot pin ... ..	1	1	1	1	1	1

### SHAFTS AND GEARS (STANDARD RATIO)

*(See page 43 for wide and close ratio gears)*

10	T914	Mainshaft and low gear (16T) ... ..	1	1	1	1	1	1
11	PT108B	Bush, mainshaft for clutch rod ... ..	1	1	1	1	1	1
12	S66-1	Woodruff key No. 6 ... ..	1	1	1	1	1	1
13	T1047	Nut, clutch to mainshaft ... ..	1	1	1	1	1	1
14	T1045	Washer, clutch to mainshaft, plain ... ..	1	1	1	1	1	1
15	T1046	Washer, clutch to mainshaft, lock ... ..	1	1	1	1	1	1
16	T1382	Gear, mainshaft high (26T) ... ..	1	1	1	1	1	1
17	T1370	Bush, mainshaft high gear ... ..	1	1	1	1	1	1
18	T917	Gear, mainshaft 3rd (24T) ... ..	1	1	1	1	1	1
19	T916	Gear, mainshaft 2nd (20T) ... ..	1	1	1	1	1	1
20	T1063	Layshaft c/w high gear (20T) and speedometer gear	1	1	1	1	1	1
21	T930	Gear, layshaft 3rd (22T) ... ..	1	1	1	1	1	1
22	T1065	Gear, layshaft 2nd (26T) ... ..	1	1	1	1	1	1
23	T926	Gear, layshaft low (30T) ... ..	1	1	1	1	1	1
24	T928	Bush, layshaft low gear ... ..	1	1	1	1	1	1

*For speedometer drive gears see page 108.*

### GEARBOX CASING BEARINGS

25	T448	Bearing, high gear ... ..	1	1	1	1	1	1
26	T946	Oil seal, high gear bearing ... ..	1	1	1	1	1	1
27	E489	Circlip, high gear bearing retaining ... ..	1	1	1	1	1	1
28	S35-7	Bearing, mainshaft ... ..	1	1	1	1	1	1
29	T280	Circlip, mainshaft bearing ... ..	1	1	1	1	1	1
30	T1367	Bush, layshaft casing and inner cover ... ..	2	2	2	2	2	2
31	T912	Peg, layshaft bush ... ..	2	2	2	2	2	2
32	T981	Disc, layshaft bush ... ..	1	1	1	1	1	1



# GROUP 4 — GEARBOX

## GEARBOX

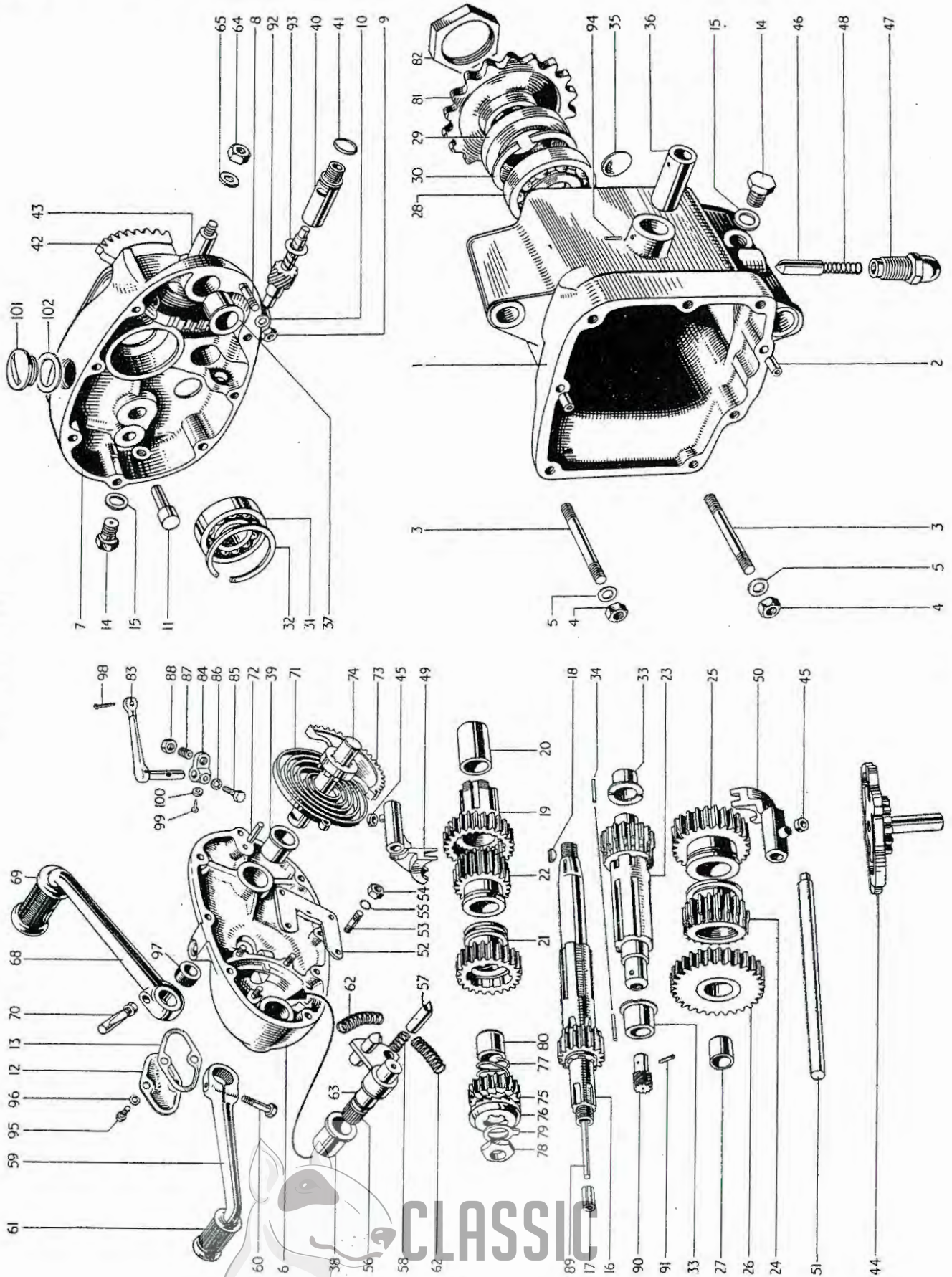
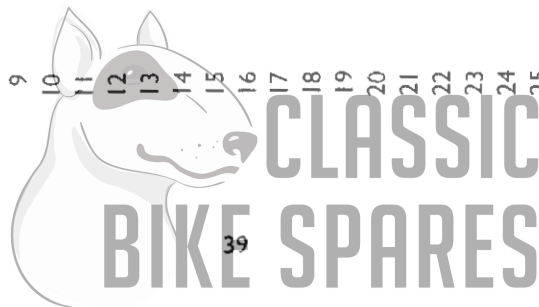


FIG. 7

CLASSIC  
BIKE SPARES

INDEX FIG. 10

Illust No.	Part No.	Page No.	Ref. No.	Illust. No.	Part No.	Page No.	Ref. No.	Illust. No.	Part No.	Page No.	Ref. No.
1	T1201	36	7	35	T981	37	32	70	T1222	41	1
2	T989	36	8	36	T341	40	1	71	T31	41	2
3	E698	36	9	37	T412	40	3	72	T47	41	3
4	SI-51	36	10	38	T57	40	4	73	T25A	41	4
5	S25-3	36	11	39	T23	40	5	74	T24A	41	5
6	T1534	36	21	40	T933	40	6	75	T730	41	6
7	T1531	36	12	41	T948	40	7	76	T731	41	7
8	T323A	36	13	42	T397	40	8	77	T1250	41	9
9	SI-51	36	14	43	T399	40	9	78	NT297	41	10
10	S25-3	36	15	44	T500	40	10	79	T732	41	11
11	T45	36	18	45	NT261	40	11	80	T1338	41	8
12	T1542	36	26	46	T44	40	12	81	T471A	41	12
13	T1541	36	27	47	T372	40	13	82	T440	41	13
14	S46-15	36	30	48	T373	40	14	83	T1539	42	1
15	PT104B	36	31	49	T260B	40	15	84	T1536	42	3
16	T914	37	10	50	T913	40	16	85	T1554	42	6
17	PT108B	37	11	51	T291	40	17	86	E2312	42	7
18	S66-1	37	12	52	T407	40	18	87	T413	42	8
19	T1382	37	16	53	T454	40	19	88	T453	42	9
20	T1370	37	17	54	F879	40	20	89	T1551	42	10
21	T917	37	18	55	E2312	40	21	90	T1552	42	11
22	T916	37	19	56	T408/1540	40	22	91	T924	108	1
23	T1063	37	20	57	T406	40	24	92	T925	108	3
24	T930	37	21	58	T405	40	25	93	T934	108	4
25	T1065	37	22	59	T1194	40	26	94	T825	108	6
26	T926	37	23	60	W932	40	28	95	E3449	40	2
27	T928	37	24	61	T449	40	29	96	T1553	36	29
28	T448	37	25	62	T404	40	30	97	E2312	36	28
29	T946	37	26	63	E3309	40	23	98	T1512	40	35
30	E489	37	27	64	T224	40	31	99	Split pin	42	2
31	S35-7	37	28	65	S25-3	40	32	100	E3412	42	5
32	T280	37	29	68	T451	40	33	101	T1538	42	4
33	T1367	37	30	69	F1814	40	33	102	E732	36	19
34	T912	37	31				41		NE507	36	20





## GROUP 4 — GEARBOX

REF. No.	PART No.	DESCRIPTION	5T	6T	TR5	T100	T110	TR6
1	T341	Bush, gear selector camplate ... ..						
2	E3449	Peg, gear selector camplate bush ... ..						
3	T412	Bush, footchange spindle inner ... ..						
4	T57	Bush, footchange spindle outer ... ..						
5	T23	Bush, kickstarter outer ... ..						
6	T933	Bush, speedo gear inner cover ... ..						
7	T948	Washer, speedo gear bush sealing ... ..						

### GEAR CHANGE SELECTOR MECHANISM

8	T397	Quadrant, gear operating ... ..						
9	T399	Spindle, gear operating quadrant ... ..						
		Split pin $1\frac{1}{2}$ " $\times$ $\frac{5}{8}$ " dia.... ..						
10	T500	Camplate, gear control ... ..						
11	NT261	Roller, gear control camplate ... ..	2	2	2	2	2	2
12	T44	Plunger, gear control camplate ... ..						
13	T372	Bush, gear control camplate plunger ... ..						
14	T373	Spring, gear control camplate plunger ... ..						
15	T260B	Fork, gear selector mainshaft ... ..						
16	T913	Fork, gear selector layshaft ... ..						
17	T291	Rod, gear selector fork ... ..						
18	T407	Plate, quadrant guide ... ..						
19	T454	Stud, quadrant guide plate $\frac{7}{8}$ " O/A ... ..	4	4	4	4	4	4
20	F879	Nut, quadrant guide plate stud ... ..	4	4	4	4	4	4
21	E2312	Washer, quadrant guide plate stud ... ..	4	4	4	4	4	4
22	T408/1540	Quadrant, gearchange ... ..						
23	E3309	"O" ring, gearchange quadrant ... ..						
24	T406	Plunger, gear quadrant ... ..	2	2	2	2	2	2
25	T405	Spring, gear quadrant plunger ... ..	2	2	2	2	2	2
26	T1194	Pedal, gearchange ... ..						
27	T997	Pedal, gearchange (Heel and Toe) (Alternative equipment) ... ..	A	A	A	A	A	A
28	W932	Set screw, gearchange pedal 1" U/H ... ..						
29	T449	Rubber, gearchange pedal ... ..						
30	T404	Spring, gearchange pedal return ... ..	2	2	2	2	2	2
31	T224	Nut, gear quadrant spindle ... ..						
32	S25-3	Washer, gear quadrant spindle ... ..						

### KICKSTARTER

33	T451	Crank, kickstarter (rigid) ... ..			—			—
34	*T1270	Crank, kickstarter (folding) complete ... ..	A	A		A	A	
35	T1512	Tube, kickstarter shaft rubber ... ..						
36	T1271	Lever, kickstarter ... ..	A	A		A	A	
37	T1272	Pedal, kickstarter ... ..	A	A		A	A	
38	T1273	Bolt, lever to pedal 1.155" U/H ... ..	A	A		A	A	
39	S70-3	Ball, pedal locating ... ..	A	A		A	A	
40	T1167	Spring, pedal locating ball ... ..	A	A		A	A	
41	F1814	Rubber, kickstarter pedal ... ..						

\* Fitted to T100 and T110 machines for export to U.S.A.

## GEARBOX — GROUP 4

REF. No.	PART No.	DESCRIPTION	5T	6T	TR5	T100	T110	TR6
1	T1222	Cotter pin c/w nut and washer ... ..						
2	T31	Spring, k/s crank return ... ..						
3	T47	Peg, k/s anchor ... ..						
4	T25A	Quadrant, kickstarter ... ..						
5	T24A	Shaft, kickstarter axle ... ..						
6	T730	Pinion, kickstarter ... ..						
7	T731	Ratchet, kickstarter ... ..						
8	T1338	Sleeve, kickstarter pinion ... ..						
9	T1250	Spring, kickstarter pinion ... ..						
10	NT297	Nut, kickstarter ratchet ... ..						
11	T732	Washer, kickstarter lock ... ..						

### GEARBOX SPROCKET

12	T471A	Sprocket, gearbox ... ..						
13	T440	Nut, gearbox sprocket locking ... ..						

### CLUTCH AND SHOCK ABSORBER

14	T1360	Clutch assembly ... ..	1	—	—	—	—	—
15	T1548	Clutch assembly ... ..	—	1	1	1	1	1
16	T940	Housing clutch sprocket ... ..	1	—	—	—	—	—
17	T1549	Housing clutch sprocket ... ..	—	1	1	1	1	1
18	T1037	Centre, clutch ... ..	1	—	—	—	—	—
19	T1038	Centre, clutch ... ..	—	1	1	1	1	1
20	T1039	Plate, inner retaining shock absorber ... ..	1	1	1	1	1	1
21	T1040	Screw, inner retaining shock absorber 0.417" U/H ... ..	4	4	4	4	4	4
22	T1041	Spider, clutch shock absorber ... ..	4	4	4	4	4	4
23	T1472	Rubber insert, clutch shock absorber (drive) ... ..	4	4	4	4	4	4
24	T1473	Rubber insert, clutch shock absorber (rebound) ... ..	1	1	1	1	1	1
25	T1044	Plate, outer retaining shock absorber ... ..	—	—	—	—	—	—
26	T1040	Screw, outer retaining shock absorber 0.417" U/H ... ..	4	4	4	4	4	4
27	T418	Hub, clutch ... ..	1	1	1	1	1	1
28	T394	Roller, clutch housing to hub ... ..	20	20	20	20	20	20
29	T1362	Plate, clutch driving (bonded) ... ..	4	5	5	5	5	5
30	T1363	Plate, clutch driven (plain) ... ..	5	6	6	6	6	6
31	T429	Spring, clutch pressure ... ..	4	—	—	—	—	—
32	T999	Spring, clutch pressure ... ..	—	4	4	4	4	4
33	T423	Pin, clutch pressure spring 1 1/8" U/H ... ..	4	—	—	—	—	—
34	T423A	Pin, clutch pressure spring 1 3/8" U/H ... ..	—	4	4	4	4	4
35	T427	Nut, clutch pressure spring pin ... ..	4	4	4	4	4	4
36	T425	Cup, clutch pressure spring ... ..	4	—	—	—	—	—
37	T998	Cup, clutch pressure spring ... ..	—	4	4	4	4	4
38	T986	Plate, clutch pressure c/w button ... ..	1	1	1	1	1	1
39	T422	Button, clutch pressure plate ... ..	1	1	1	1	1	1





**WIDE RATIO GEARS — GROUP 5**  
**STANDARD RATIO GEARS — GROUP 6**  
**CLOSE RATIO GEARS — GROUP 7**

REF. No.	PART No.	DESCRIPTION	5T	6T	TR5	T100	T110	TR6
----------	----------	-------------	----	----	-----	------	------	-----

**WIDE RATIO GEARS—GROUP 5**

*To convert from standard to wide ratio*

1	T1384	Gear, mainshaft high 28T	...	...	...						
2	T968	Gear, mainshaft 2nd 19T	...	...	...						
3	T971	Gear, layshaft high 18 T c/w speedo gear	...	...	...						
4	T974	Gear, layshaft 2nd 27T	...	...	...						
5	T975	Gear, speedometer driven	...	...	...						

**STANDARD RATIO GEARS—GROUP 6**

*To convert from wide to standard ratio*

6	T1382	Gear, mainshaft high 26T	...	...	...						
7	T916	Gear, mainshaft 2nd 20T	...	...	...						
8	T1063	Gear, layshaft high 20T c/w speedo gear	...	...	...						
9	T1065	Gear, layshaft 2nd 26T	...	...	...						
10	T934	Gear, speedometer driven	...	...	...						

**CLOSE RATIO GEARS—GROUP 7**

11	T1177	Mainshaft and low gear 18T	...	...	...						
12	T1383	Gear, mainshaft high 24T	...	...	...						
13	T955	Gear, mainshaft 2nd 21T	...	...	...						
14	T1179	Gear, mainshaft 3rd 23T	...	...	...						
15	T959	Layshaft and high gear 22T	...	...	...						
16	T961	Gear, layshaft low 28T	...	...	...						
17	T963	Gear, layshaft 2nd 25T	...	...	...						
18	T964	Gear layshaft 3rd 23T	...	...	...						
19	T983	Plug, speedometer drive sealing	...	...	...						
20	T948	Washer, speedometer drive plug	...	...	...						

Gear Ratios. Suitable ratios can be selected from the three groups which will enable the rider to operate his machine for normal road work or sporting events. To vary the ratios of any group, engine sprockets ranging from 17 to 25 teeth are available.

On the page opposite there will be found a R.P.M. and Gear Ratio Chart, which will assist the rider in making his selection.



**CLASSIC**  
**BIKE SPARES**

# R P M AND GEAR CHARTS

## ENGINE REVOLUTIONS PER MINUTE

GEAR RATIO	4.4	4.57	4.78	5.0	5.24	5.5	5.7	5.8	6.0	6.25	6.5	6.9	7.06	7.14	7.5	8.0	8.85	9.8	10.6	11.58	12.2	13.9	14.3	15.25	16.0	17.8	18.85
20	1144	1188	1244	1300	1364	1428	1480	1508	1560	1624	1688	1796	1836	1856	1948	2080	2300	2548	2756	3012	3172	3612	3720	3964	4160	4628	4900
25	1430	1485	1555	1625	1705	1785	1850	1885	1950	2030	2110	2245	2295	2320	2435	2600	2875	3185	3445	3765	3965	4515	4650	4955	5200	5785	6125
30	1716	1782	1866	1950	2046	2142	2220	2262	2340	2435	2532	2694	2754	2784	2922	3120	3450	3822	4134	4518	4758	5418	5585	5946	6240	6942	—
35	2002	2079	2177	2275	2387	2499	2590	2639	2730	2842	2954	3143	3213	3248	3409	3640	4025	4459	4823	5271	5551	6321	6510	6937	—	—	
40	2288	2376	2488	2600	2728	2856	2960	3016	3120	3248	3376	3592	3672	3712	3896	4160	4600	5096	5512	6024	6344	—	—	—	—	—	
45	2574	2673	2799	2925	3069	3213	3330	3393	3510	3554	3798	4041	4131	4176	4383	4680	5175	5733	6201	6777	7137	—	—	—	—	—	
50	2860	2970	3110	3250	3410	3570	3700	3770	3900	4060	4220	4490	4590	4640	4870	5200	5750	6370	6890	—	—	—	—	—	—	—	
55	3146	3267	3421	3575	3751	3927	4070	4147	4290	4466	4642	4939	5049	5104	5357	5720	6325	7007	—	—	—	—	—	—	—	—	
60	3432	3564	3732	3900	4092	4284	4440	4524	4680	4872	5064	5388	5508	5584	5844	6240	6900	—	—	—	—	—	—	—	—	—	
70	4004	4158	4354	4550	4774	4998	5180	5278	5460	5684	5908	6286	6426	6496	6331	6760	—	—	—	—	—	—	—	—	—	—	
80	4576	4752	4976	5200	5456	5712	5920	6032	6240	6496	6752	7184	7344	7424	—	—	—	—	—	—	—	—	—	—	—	—	
90	5148	5346	5598	5850	6138	6426	6660	6786	7020	7308	—	—	—	—	—	—	—	—	—	—	—	—	—	—	—	—	
100	5720	5940	6220	6500	6820	7140	7400	7540	—	—	—	—	—	—	—	—	—	—	—	—	—	—	—	—	—	—	
110	6292	6534	6842	7150	7502	7854	—	—	—	—	—	—	—	—	—	—	—	—	—	—	—	—	—	—	—	—	

NOTE.—Engine R-P-M are calculated in conjunction with 3.50 x 19 Rear tyre equipment—780 R-P-Mile—and will deviate slightly from above figures for models not so equipped.

4.00 x 18 Rear Tyre 785 R-P-Mile.

3.25 x 19 Rear Tyre 793 R-P-Mile.

4.00 x 19 Rear Tyre 756 R-P-Mile.

## GEAR RATIOS

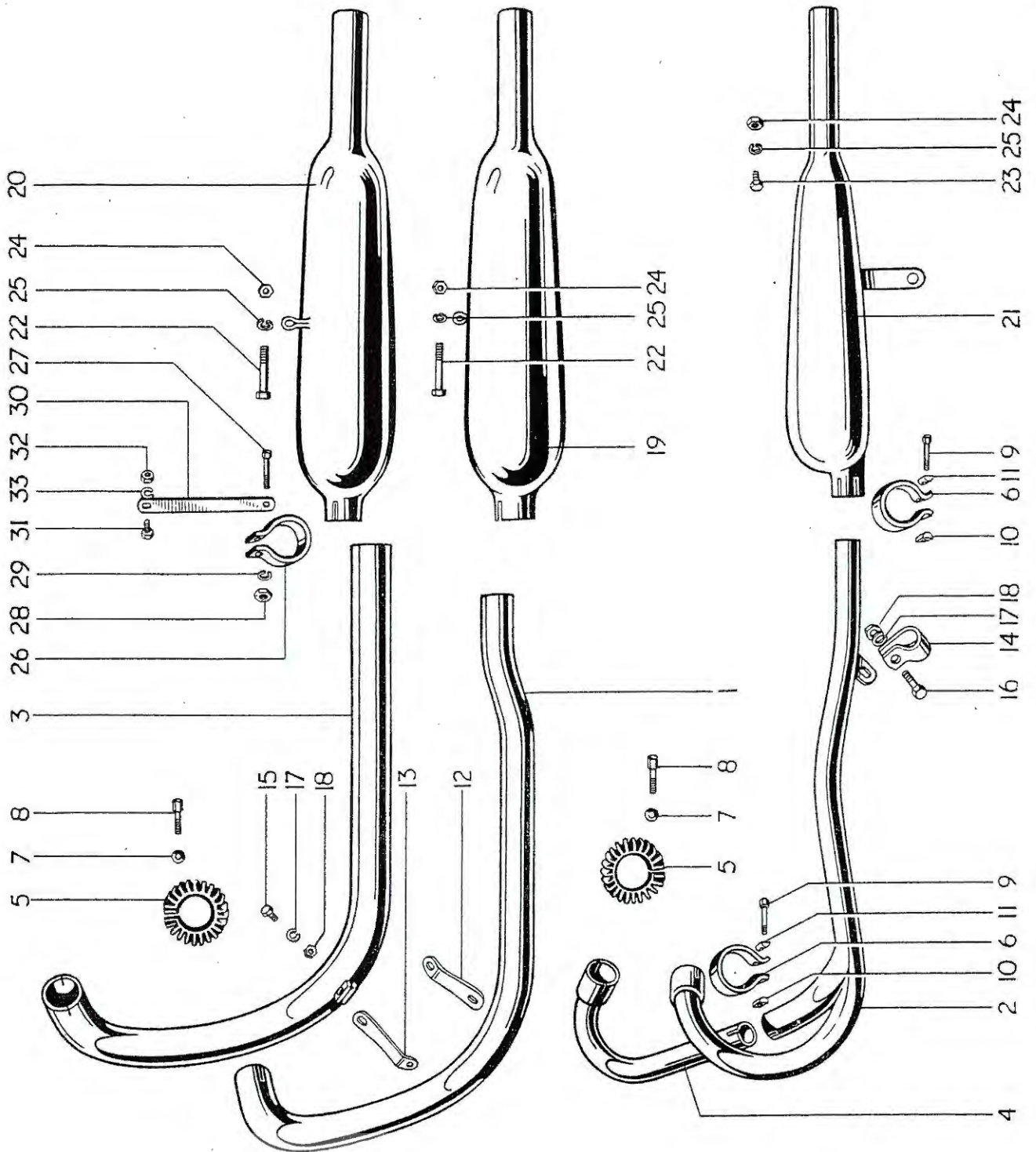
GEARS	STANDARD RATIO			WIDE RATIO			CLOSE RATIO					
	Top	3rd	2nd	1st	Top	3rd	2nd	1st	Top	3rd	2nd	1st
Engine Sprocket	1.00	1.19	1.69	2.44	1.00	1.42	2.21	2.91	1.00	1.09	1.30	1.69
Gearbox Reduction	6.46	7.7	10.94	15.8	6.46	9.22	14.30	18.85	6.46	7.06	8.42	11.00
17	6.10	7.28	10.32	14.9	6.10	8.70	13.50	17.80	6.10	6.66	7.95	10.40
18	5.80	6.9	9.8	14.15	5.80	8.25	12.80	16.85	5.80	6.32	7.54	9.84
19	5.50	6.55	9.3	13.4	5.50	7.84	12.18	16.0	5.50	6.00	7.15	9.35
20	5.24	6.24	8.85	12.8	5.24	7.46	11.58	15.25	5.24	5.72	6.81	8.90
21	5.00	5.95	8.45	12.2	5.00	7.13	11.05	14.55	5.00	5.45	6.50	8.50
22	4.78	5.69	8.09	11.69	4.78	6.82	10.60	13.90	4.78	5.23	6.23	8.12
23	4.57	5.45	7.75	11.2	4.57	6.54	10.14	13.35	4.57	5.00	5.96	7.78
24	4.40	5.24	7.45	10.75	4.40	6.26	9.73	12.80	4.40	4.80	5.73	7.46
25	—	—	—	—	—	—	—	—	—	—	—	—







**GROUP 8 — EXHAUST SYSTEM**



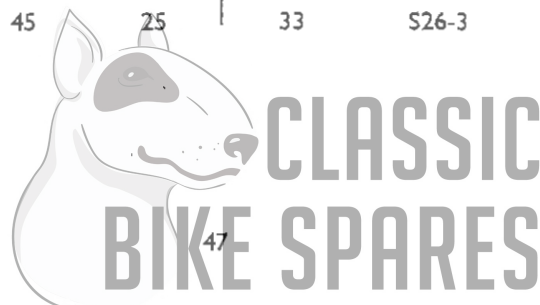
**FIG. 12. EXHAUST PIPES AND SILENCERS**

## EXHAUST SYSTEM – GROUP 8

REF. No.	PART No.	DESCRIPTION	5T	6T	TR5	T100	T110	TR6
1	F3430	Bolt, silencer to exhaust pipe clip $\frac{3}{8}$ " U/H	2	2	—	2	2	—
2	E3768	Washer, clip bolt nut (D shape) ... ..	4	4	—	4	4	—
3	E1310	Nut, clip bolt ... ..	2	2	—	2	2	—
4	F4141	Stay, clip bolt to frame ... ..	2	2	—	2	2	—
5	F3641	Stud, stay to frame $\frac{1}{8}$ " O/A	1	1	—	1	1	—
6	S26-3	Washer, fixing nut ... ..	1	1	—	1	1	—
7	S1-51	Nut, stay stud ... ..	1	1	—	1	1	—

### INDEX FIG. 12

Illust. No.	Part No.	Page No.	Ref. No.	Illust. No.	Part No.	Page No.	Ref. No.
1	E3426	45	1	15	DS57	45	21
	E3629	45	5	16	F1369	45	24
	E3628	45	7	17	S26-2	45	22
2	E3462	45	3	18	F879	45	23
	E3472	45	9	19	E3651	45	26
3	E3350	45	2		E3817	45	29
	E3633	45	6	20	E3652	45	27
	E3632	45	8		E3816	45	30
4	E3463	45	4	21	E3470	45	28
	E3473	45	10	22	DS55	45	31
5	E1269	45	11	23	F1213	45	32
	E1270	45	12	24	S1-51	45	33
6	E3469	45	13	25	S25-3	45	34
7	E410A	45	15	26	E3767	45	35
8	E409	45	14	27	F3430	47	1
9	TE164E	45	16	28	E3768	47	2
10	TE164C	45	17	29	E1310	47	3
11	TE164D	45	18	30	F4141	47	4
12	E2989	45	19	31	F3461	47	5
13	E2990	45	20	32	S1-51	47	7
14	F1699	45	25	33	S26-3	47	6



# GROUP 9 - FRAME

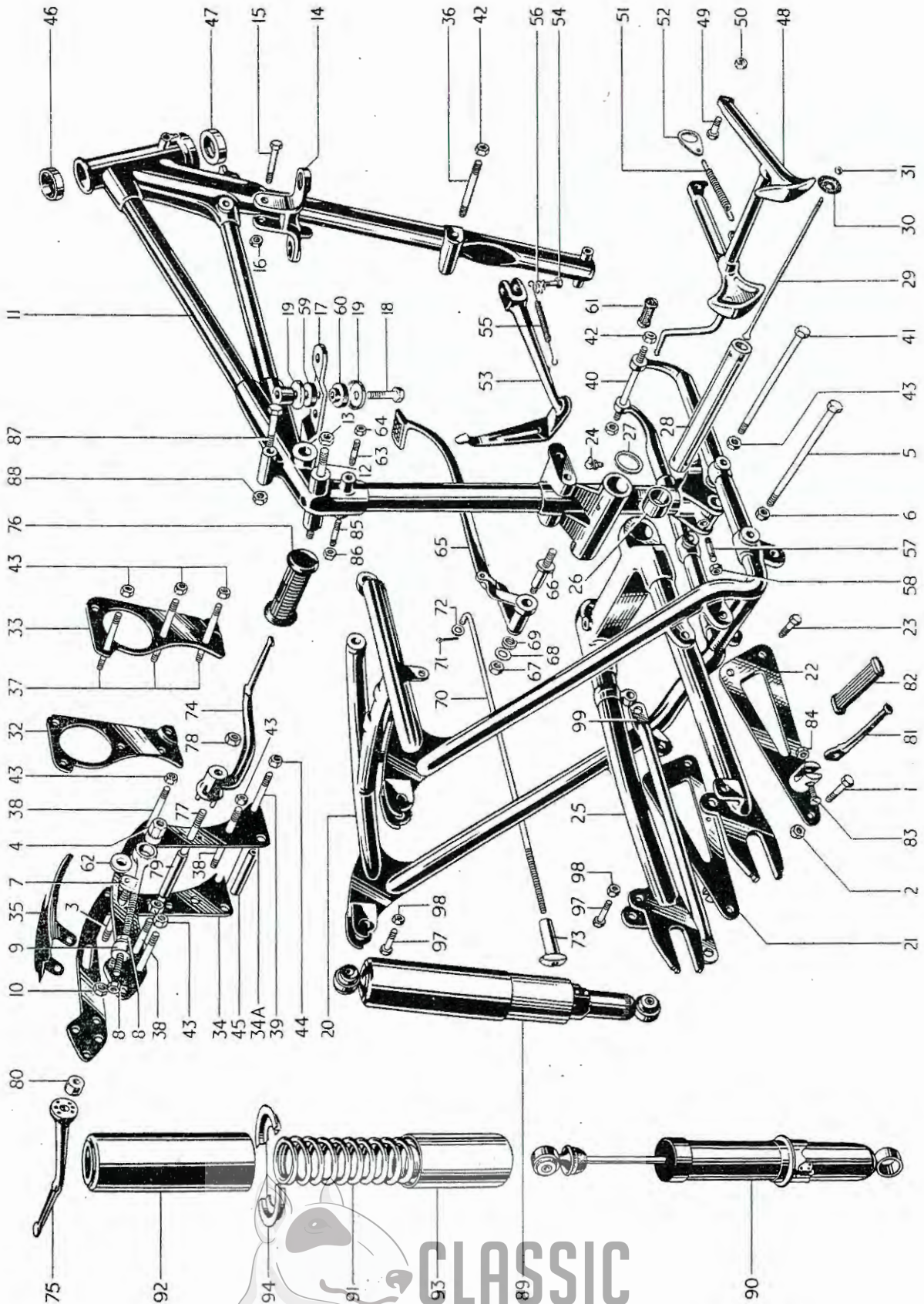


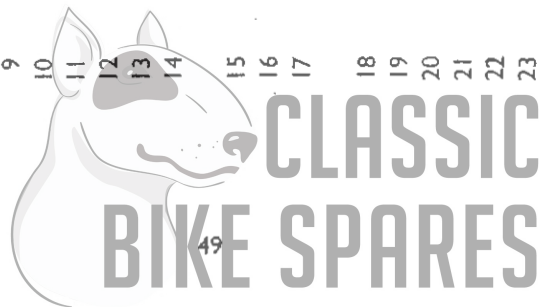
FIG. 13. FRAME

CLASSIC BIKE SPARES



INDEX FIG. 13

Illust. No.	Part No.	Page No.	Ref. No.	Illust. No.	Part No.	Page No.	Ref. No.	Illust. No.	Part No.	Page No.	Ref. No.
1	DS55	45	31					64	F1008	74	12
2	SI-51	45	33	33	E2222	52	2	65	F3595	83	1
3	F3769	36	32		F2647	52	3	66	F867	83	2
4	F3772	36	35	34	E2223	52	4	67	SI-52	83	5
5	F3575	37	1	34A	F3760	52	5	68	S25-2	83	6
6	DS47	37	2	35	F3541	52	6	69	S26-16	83	7
7	F4422	37	4	36	F3571	53	2	70	F3597	83	8
8	SI-51	37	6	37	F2414	53	3	71	Split pin	83	9
9	F3767	37	7	38	F1711	53	4	72	S25-13	83	10
10	PO172A	37	9	39	F839	53	5	73	F3667	83	12
11	F4414	50	1	40	F3665	53	6	74	F3593	83	13
12	F1561	50	22	41	F1680	53	7	75	F987	83	14
13	PO172A	50	23	42	F3108	53	8	76	NF704	83	15
14	F1841	50	6	43	DS47	53	9	77	F3592	83	16
15	F3900	50	7	44	PO172A	53	10	78	DS48	83	17
16	F1451	50	8	45	SI-52	53	11	79	F862	83	19
17	SI-52	50	9	46	F862	58	14	80	T87	83	20
18	F4273	50	10	47	H111	58	26	81	F1694	83	21
19	F4274	50	11	48	H111	58	26	82	F1695	83	22
20	F3816	50	15	49	F4304	51	19	83	F2271	83	23
21	F3635	50	12	50	F3619	51	20	84	SI-51	83	24
22	F3718	50	25	51	F2725	51	22	85	F3641	84	11
23	F3580	50	26	52	F3617	51	23	86	F1008	84	12
24	F2603	50	27	53	F3618	51	24	87	E2593	107	3
25	KVW194	50	32	54	F3723	51	26		F3006	107	4
26	F1431	51	1	55	F3097	51	27	88	SI-51	107	6
27	F3690	51	2	56	F1610	51	28	89	See page 108		
28	F3574	51	3	57	F3096	51	29	90	See page 108		
29	F3564	51	4	58	F3641	47	5	91	See page 108		
30	F3797	51	5	59	SI-51	47	7	92	9054/151	108	17
31	F3798	51	6	60	F967	50	13	93	9054/47	108	18
32	F2646	52	1	61	F3815	50	14	94	9054/171	108	16
				62	T449	51	25	97	E2113	108	24
				63	F3770	36	33	98	PO172A	108	26
					F3641	74	11	99	F3774	51	8



## GROUP 9 – FRAME

REF. No.	PART No.	DESCRIPTION	5T	6T	TR5	T100	T110	TR6
<b>FRONT PORTION</b>								
1	F4414	Frame, front portion ... ..	1	1	1	1	1	1
2	F3906	Bolt, steering stop $\frac{9}{16}$ " U/H ... ..	2	2	2	2	2	2
3	T224	Locknut, stop bolt ... ..	2	2	2	2	2	2
4	D402/3	Lock, steering head c/w keys ... ..	A	A	A	A	A	A
5	D403	Key, lock (state number) ... ..	A	A	A	A	A	A
6	F1841	Support, petrol tank front ... ..	1	1	—	1	1	—
7	F3900	Support, petrol tank front (Export Tigers only)	—	—	1	A	A	1
8	F1451	Bolt, petrol tank front support $2\frac{1}{16}$ " U/H	1	1	1	1	1	1
9	SI-52	Nut, petrol tank front support ... ..	1	1	1	1	1	1
10	F4273	Support, petrol tank rear ... ..	1	—	1	1	1	1
11	F4274	Support, petrol tank rear ... ..	—	1	—	—	—	—
12	F3814	Cup, tank support rubbers ... ..	4	4	4	4	4	4
13	F967	Washer, rubber top ... ..	2	2	2	2	2	2
14	F3815	Washer, rubber spigotted lower ... ..	2	2	2	2	2	2
15	F3816	Bolt, tank support to frame $1\frac{3}{16}$ " U/H ... ..	2	2	2	2	2	2
16	E3308	Stay, engine to frame torque ... ..	2	2	2	2	2	2
17	F2603	Bolt torque stay to frame lug $\frac{13}{16}$ " U/H ... ..	1	1	1	1	1	1
18	SI-51	Nut, torque stay bolt ... ..	1	1	1	1	1	1
19	S26-3	Washer, torque stay bolt ... ..	1	1	1	1	1	1
20	SI-52	Nut, torque stay to engine bolt ... ..	2	2	2	2	2	2
21	S26-1	Washer, torque stay to engine bolt ... ..	2	2	2	2	2	2
22	F1561	Stud, seat lug to back stays $5\frac{1}{16}$ " O/A ... ..	1	1	1	1	1	1
23	PO172A	Nut, seat lug to back stays stud ... ..	2	2	2	2	2	2
24	S26-1	Washer, seat lug to back stays stud ... ..	2	2	2	2	2	2

SEE FRONT FORK GROUP FOR STEERING RACES PAGE 58

### REAR PORTION

25	F3635	Frame, rear portion ... ..	1	1	1	1	1	1
26	F3718	Support bracket L.H. silencer ... ..	1	1	1	1	1	1
27	F3580	Support bracket R.H. silencer ... ..	1	1	1	1	1	1
28	F2603	Bolt, bracket to frame $\frac{13}{16}$ " U/H ... ..	1	1	1	1	1	1
29	E1396	Stud, bracket to frame $1\frac{1}{16}$ " O/A ... ..	2	2	2	2	2	2
30	SI-51	Nut, bracket to frame bolts and stud ... ..	3	3	3	3	3	3
31	S26-3	Washer, bracket to frame bolts and stud ... ..	3	3	3	3	3	3
32	KW194	Lubricator, swinging fork ... ..	1	1	1	1	1	1
33	WE170	Washer, lubricator ... ..	1	1	1	1	1	1

ALWAYS QUOTE COLOURS WHEN ORDERING FRAME PARTS.

**FRAME – GROUP 9  
STAND – GROUP 10**

REF. No.	PART No.	DESCRIPTION	5T	6T	TR5	T100	T110	TR6
<b>SWINGING FORK</b>								
1	F4131	Swinging fork assy. c/w bushes ... ..	1	1	1	1	1	1
2	F3690	Bush, fork lug ... ..	2	2	2	2	2	2
3	F3574	Spacing washer, R.H. ... ..	1	1	1	1	1	1
4	F3564	Spindle, S/Fork ... ..	1	1	1	1	1	1
5	F3797	Rod, cap retaining ... ..	1	1	1	1	1	1
6	F3798	Cap, spindle retaining ... ..	2	2	2	2	2	2
7	F3799	Nut, cap retaining ... ..	1	1	1	1	1	1
8	F3774	Stay, rear brake torque ... ..	1	1	1	1	1	1
9	F3780	Bolt, stay to fork 1 1/16" U/H ... ..	1	1	1	1	1	1
10	DS47	Nut, stay bolt ... ..	1	1	1	1	1	1
11	PCW73A	Washer, stay bolt nut ... ..	1	1	1	1	1	1

**STAND—GROUP 10**

**FRONT STAND**

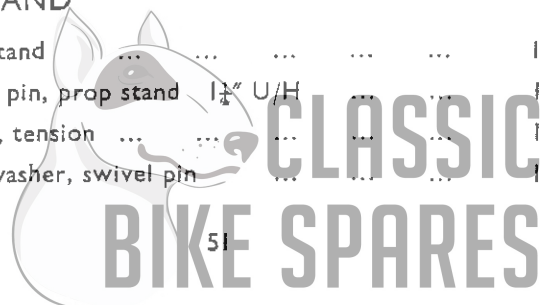
12	H412	Front stand ... ..	1	1	1	1	1	1
13	DS55	Bolt, front guard to stand 1/10" U/H ... ..	1	1	1	1	1	1
14	SI-51	Nut, front guard to stand bolt... ..	1	1	1	1	1	1
15	NS362	Nut, front stand to guard spigot ... ..	1	1	1	1	1	1
16	H424	Screw, front stand to fork pivot 3/16" U/H ... ..	2	2	2	2	2	2
17	S25-3	Washer, pivot screw plain ... ..	2	2	2	2	2	2
18	H425	Washer, pivot screw spring ... ..	2	2	2	2	2	2

**CENTRE STAND**

19	F4304	Centre stand ... ..	1	1	1	1	1	1
20	F3619	Pivot bolt, stand to frame 1 3/16" U/H ... ..	2	2	2	2	2	2
21	F4484	Tab washer ... ..	2	2	2	2	2	2
22	F2725	Nut, stand to frame bolt ... ..	2	2	2	2	2	2
23	F3617	Spring, centre stand ... ..	1	1	1	1	1	1
24	F3618	Connecting link, stand spring ... ..	1	1	1	1	1	1
25	T449	Rubber, stand pedal ... ..	1	1	1	1	1	1

**PROP STAND**

26	F3723	Prop stand ... ..	1	1	1	1	1	1
27	F3097	Swivel pin, prop stand 1/4" U/H ... ..	1	1	1	1	1	1
28	F2610	Spring, tension ... ..	1	1	1	1	1	1
29	F3096	Lock washer, swivel pin ... ..	1	1	1	1	1	1







## ENGINE PLATE — GROUP 11 TELESCOPIC FRONT FORK — GROUP 12

REF. No.	PART No.	DESCRIPTION	5T	6T	TR5	T100	T110	TR6
1	E2275	Cover, engine plate front ... ..	1	1	1	1	1	1
2	F3571	Cover, engine plate rear ... ..	1	1	1	1	1	1
3	F2414	Stud, $\frac{7}{16}$ " $\times$ $4\frac{1}{8}$ " C.E.I. ... ..	1	1	1	1	1	1
4	F1711	Stud, $\frac{3}{8}$ " $\times$ $4\frac{1}{16}$ " C.E.I. ... ..	3	3	3	3	3	3
5	F839	Stud, $\frac{3}{8}$ " $\times$ $4\frac{7}{16}$ " C.E.I. ... ..	4	4	4	4	4	4
6	F3665	Stud, $\frac{3}{8}$ " $\times$ $4\frac{1}{4}$ " C.E.I. ... ..	1	1	1	1	1	1
7	F1680	Stud, $\frac{7}{16}$ " $\times$ $4\frac{3}{8}$ " C.E.I. ... ..	1	1	1	1	1	1
8	F3108	Bolt, rear engine plate to frame $7\frac{1}{16}$ " U/H	1	1	1	1	1	1
9	DS47	Nut, for F2414, F1680 Studs ... ..	4	4	4	4	4	4
10	PO172A	Nut, for F1023, F1711, F839 Studs and F3108 bolt	15	15	15	15	15	15
11	SI-52	Nut, for F3665 Stud ... ..	2	2	2	2	2	2
12	PCW73A	Washer, for F2414, F1680 Studs ... ..	4	4	4	4	4	4
13	S26-1	Washer, for F1711, F839 Studs and F3108 bolt	17	17	17	17	17	17
14	F862	Distance tube for F3108 bolt ... ..	1	1	1	1	1	1

### FRONT FORK—GROUP 12

15	H1197	Fork assembly ... ..	1	—	—	—	—	—
16	H1198	Fork assembly ... ..	—	1	—	1	1	—
17	H1200	Fork assembly ... ..	—	—	1	—	—	1
18	H663A	Lug, fork head top ... ..	1	1	—	1	1	—
19	H380	Lug, fork head top c/w clips ... ..	—	—	1	—	—	1
20	F1760	Bolt, fork head top lug pinch $1\frac{1}{16}$ " U/H ...	1	1	1	1	1	1
21	H379	Nut, fork head top bolt ... ..	1	1	1	1	1	1
22	H660	"U" bolt, handlebar clamp ... ..	2	2	—	2	2	—
23	S25-3	Washer, handlebar clamp ... ..	4	4	—	4	4	—
24	SI-51	Nut, handlebar clamp ... ..	4	4	—	4	4	—
25	H506	Cap, handlebar clamp ... ..	—	—	2	—	—	2
26	H436	Bolt, handlebar clamp cap $\frac{7}{8}$ " U/H ...	—	—	4	—	—	4
27	H1229	Crown and stem, fork ... ..	1	1	1	1	1	1
28	H405	Nut, crown and stem sleeve ... ..	1	1	1	1	1	1
29	H941	Bolt, crown and stem to stanchion $2\frac{1}{4}$ " U/H	2	2	2	2	2	2
30	E2412	Nut, crown and stem to stanchion ... ..	2	2	2	2	2	2
31	S25-2	Washer, crown and stem to stanchion ...	2	2	2	2	2	2

# GROUP 12 – TELESCOPIC FRONT FORK

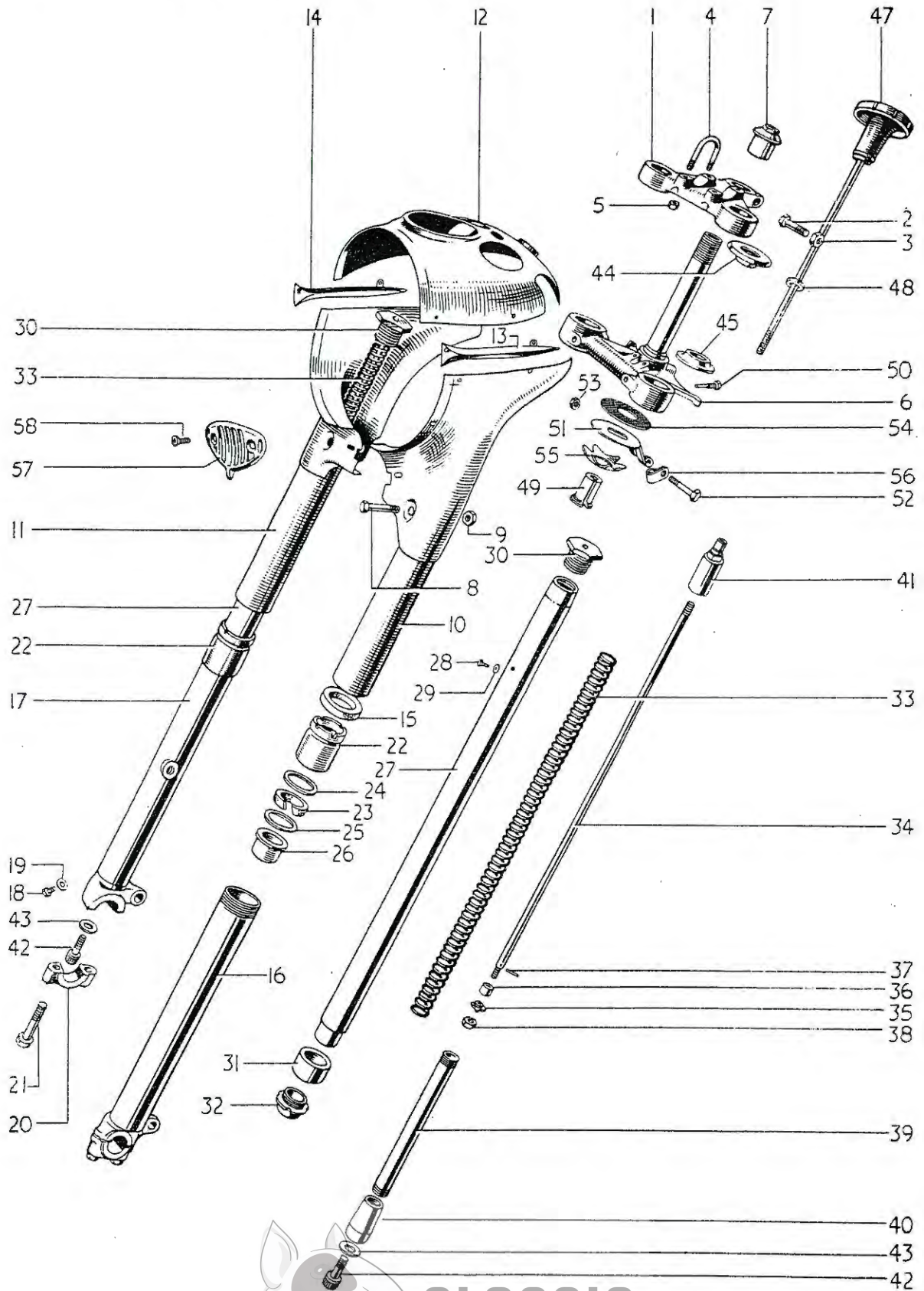


FIG. 15. TELESCOPIC FORK

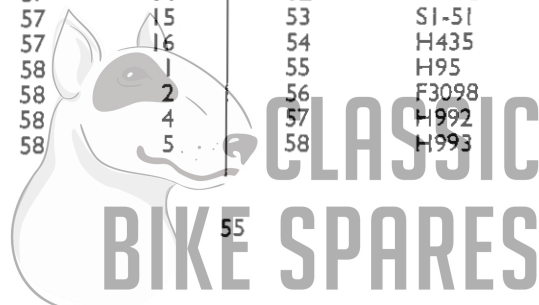


## TELESCOPIC FRONT FORK – GROUP 12

REF. No.	PART No.	DESCRIPTION	5T	6T	TR5	T100	T110	TR6
1	H799	Cover, nacelle L.H. ... ..	1	1	—	1	1	—
2	H1205	Cover, nacelle R.H. ... ..	1	1	—	1	1	—
3	H963	Cover, top c/w headlamp bracket L.H. ...	—	—	1	—	—	1
4	H964	Cover, top c/w headlamp bracket R.H. ...	—	—	1	—	—	1
5	H962	Gaiter, rubber, telescopic ... ..	—	—	2	—	—	2
6	D340	Clip, gaiter top ... ..	—	—	2	—	—	2
7	H1206	Top unit, nacelle ... ..	1	—	—	—	—	—
8	H1208	Top unit, nacelle ... ..	—	1	—	—	—	—
9	H1207	Top unit, nacelle ... ..	—	—	—	1	1	—
10	A46	Transfer, Thunderbird ... ..	—	1	—	—	—	—
11	H669	Grommet, handlebar rubber ... ..	2	2	—	2	2	—
12	H961	Grommet, control cables ... ..	3	3	—	3	3	—
13	H689	Screw, top unit to nacelle cover $\frac{1}{4}$ " U/H	2	2	—	2	2	—
14	H691	Nut, for H689 ... ..	2	2	—	2	2	—
15	E2880	Washer, for H691 ... ..	2	2	—	2	2	—
16	H623	Motif (flash) L.H. ... ..	1	1	—	1	1	—
17	H624	Motif (flash) R.H. ... ..	1	1	—	1	1	—
18	H688	Screw, motif front $\frac{5}{16}$ " U/H ... ..	2	2	—	2	2	—
19	H691	Nut, motif front ... ..	2	2	—	2	2	—

### INDEX FIG. 15

Illust. No.	Part No.	Page No.	Ref. No.	Illust. No.	Part No.	Page No.	Ref. No.
1	H663A	53	18	30	H432A	58	6
2	F1760	53	20	31	H443	58	8
3	H379	53	21	32	H444	58	9
4	H660	53	22	33	H384	58	10
5	S1-51	53	24		H505	58	11
6	H1229	53	27		H749	58	12
7	H405	53	28	34	H399A	58	15
8	H941	53	29	35	H452	58	17
9	E2412	53	30	36	H543	58	18
10	H799	55	1	37	H454	58	19
11	H1205	55	2	38	F879	58	20
12	H1206	55	7	39	H394	58	21
	H1208	55	8	40	H1096	58	22
13	H623	55	16	41	H397	58	23
14	H624	55	17	42	H1063	58	24
15	H420	57	3	43	H1062	58	25
16	H1201	57	4	44	H1018	58	27
17	H1202	57	6	45	H439	58	28
18	H1071	57	11	47	H536	58	30
19	H430	57	12	48	H565	58	31
20	H1053	57	8	49	H408	58	32
21	H1070	57	10	50	H409	58	33
22	H390	57	13	51	H413	58	34
23	H391	57	14	52	F1718	58	35
24	H445	57	15	53	S1-51	58	36
25	H431	57	16	54	H435	58	37
26	H441	58	1	55	H95	58	38
27	H382A	58	2	56	F3098	108	9
28	H519A	58	4	57	H992	57	16
29	H430	58	5	58	H993	57	17



# GROUP 12 – TELESCOPIC FRONT FORK

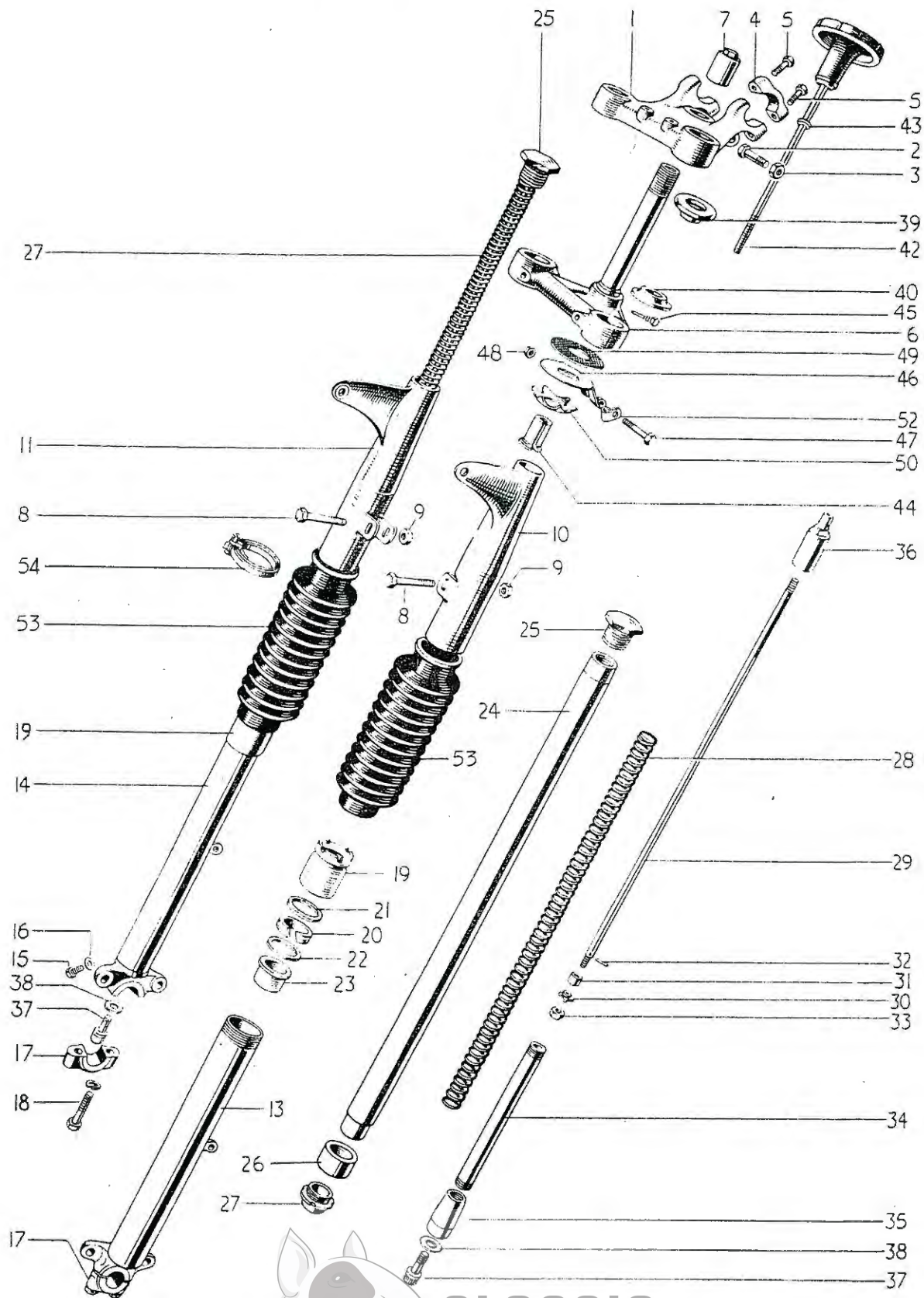


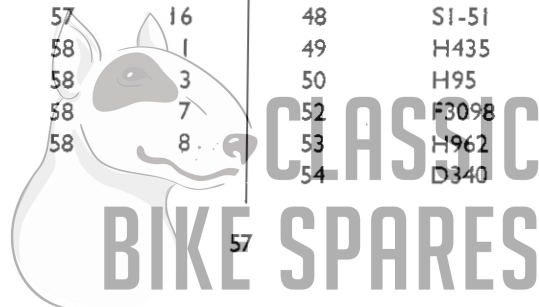
FIG. 16. TELESCOPIC FORK (TROPHY)

## TELESCOPIC FRONT FORK — GROUP 12

REF. No.	PART No.	DESCRIPTION	5T	6T	TR5	T100	T110	TR6
1	E2880	Washer, motif front ... ..	2	2	—	2	2	—
2	H687	Screw, top unit to nacelle cover $\frac{3}{8}$ " U/H	2	2	—	2	2	—
3	H420	Washer, cover tube felt ... ..	2	2	—	2	2	—
4	H1201	Bottom member c/w spindle cap, L.H. ...	1	1	—	1	1	—
5	H1203	Bottom member c/w spindle cap, L.H. ...	—	—	1	—	—	1
6	H1202	Bottom member c/w spindle cap, R.H. ...	1	1	—	1	1	—
7	H1204	Bottom member c/w spindle cap, R.H. ...	—	—	1	—	—	1
8	H1053	Cap, spindle fixing ... ..	2	2	2	2	2	2
9	5.26-3	Washer, spring ... ..	4	4	4	4	4	4
10	H1070	Bolt, spindle cap, $1\frac{7}{16}$ " U/H ... ..	4	4	4	4	4	4
11	H1071	Plug, drain ... ..	2	2	2	2	2	2
12	H430	Washer, drain plug ... ..	2	2	2	2	2	2
13	H390	Sleeve, cover tube dust excluder ... ..	2	2	2	2	2	2
14	H391	Washer, cover tube dust excluder felt ...	2	2	2	2	2	2
15	H445	Washer, inner—for H391 ... ..	2	2	2	2	2	2
16	H431	Washer, outer—for H391 ... ..	2	2	2	2	2	2
17	H992	Horn grille (replaces Pilot Lamp) ... ..	1	1	—	1	1	—
18	H993	Screw, grille fixing 0.540" U/H ... ..	2	2	—	2	2	—
19	GS299	Washer, shakeproof ... ..	2	2	—	2	2	—
20	F3799	Nut, fixing screw ... ..	2	2	—	2	2	—

### INDEX FIG. 16

Illust. No.	Part No.	Page No.	Ref. No.	Illust. No.	Part No.	Page No.	Ref. No.
1	H380	53	19	27	H444	58	9
2	F1760	53	20	28	H384	58	10
3	H379	53	21	29	H399	58	16
4	H506	53	25	30	H452	58	17
5	H436	53	26	31	H453	58	18
6	H1229	53	27	32	H454	58	19
7	H405	53	28	33	F879	58	20
8	H941	53	29	34	H394	58	21
9	E2412	53	30	35	H1096	58	22
10	H963	55	3	36	H397	58	23
11	H964	55	4	37	H1063	58	24
13	H1203	57	5	38	H1062	58	25
14	H1204	57	7	39	H1018	58	27
15	H1071	57	11	40	H439	58	28
16	H430	57	12	42	H536	58	30
17	H1053	57	8	43	H565	58	31
18	H1070	57	10	44	H408	58	32
19	H390	57	13	45	H409	58	33
20	H391	57	14	46	H413	58	34
21	H445	57	15	47	F1718	58	35
22	H431	57	16	48	S1-51	58	36
23	H441	58	1	49	H435	58	37
24	H382	58	3	50	H95	58	38
25	H432	58	7	52	F3098	108	39
26	H443	58	8	53	H962	55	5
				54	D340	55	6





## GROUP 12 – TELESCOPIC FRONT FORK

REF. No.	PART No.	DESCRIPTION	5T	6T	TR5	T100	T110	TR6
1	H441	Bearing, bottom cover tube ... ..	2	2	2	2	2	2
2	H382A	Stanchion ... ..	2	2	—	2	2	—
3	H382	Stanchion ... ..	—	—	2	—	—	2
4	H519A	Plug, stanchion oil filler $\frac{3}{16}$ " U/H ... ..	2	2	—	2	2	—
5	H430	Washer, stanchion oil filler ... ..	2	2	—	2	2	—
6	H432A	Nut, stanchion upper sleeve cap ... ..	2	2	—	2	2	—
7	H432	Nut, stanchion upper sleeve cap ... ..	—	—	2	—	—	2
8	H443	Bearing, stanchion lower ... ..	2	2	2	2	2	2
9	H444	Nut, stanchion hydraulic stop ... ..	2	2	2	2	2	2
10	H384	Spring, main (identification RED) ... ..	2	2	2	2	2	2
11	H505	Spring, main (identification BLUE) Sidecar ...	A	A	A	A	A	A
12	H749	Spring, main (identification PURPLE) Extra-heavy sidecar ... ..	A	A	A	A	A	A
13	H1106	Pressure tube assembly ... ..	2	2	—	2	2	—
14	H1107	Pressure tube assembly ... ..	—	—	2	—	—	2
15	H399A	Rod, oil pressure ... ..	2	2	—	2	2	—
16	H399	Rod, oil pressure ... ..	—	—	2	—	—	2
17	H452	Restrictor, oil ... ..	2	2	2	2	2	2
18	H453	Cup, oil restrictor rod ... ..	2	2	2	2	2	2
19	H454	Pin, oil restrictor rod cup ... ..	2	2	2	2	2	2
20	F879	Nut, oil restrictor rod ... ..	2	2	2	2	2	2
21	H394	Tube pressure ... ..	2	2	2	2	2	2
22	H1096	Body, pressure tube valve ... ..	2	2	2	2	2	2
23	H397	Sleeve, pressure tube support ... ..	2	2	2	2	2	2
24	H1063	Bolt, valve body to lug $\frac{33}{64}$ " U/H ... ..	2	2	2	2	2	2
25	H1062	Washer, valve body bolt (aluminium) ...	2	2	2	2	2	2

### STEERING CUPS, CONES AND BALLS

26	H111	Cup, frame lug, top and bottom ... ..	2	2	2	2	2	2
27	H1018	Cone, head lug, top, c/w dust cover ... ..	1	1	1	1	1	1
28	H439	Cone, crown and stem, bottom ... ..	1	1	1	1	1	1
29	S70-3	Ball, top and bottom race $\frac{1}{2}$ " ... ..	40	40	40	40	40	40

### STEERING DAMPER

30	H536	Knob, c/w rod ... ..	1	1	1	1	1	1
31	H565	Washer, damper knob abutment ... ..	1	1	1	1	1	1
32	H408	Sleeve, damper adjusting ... ..	1	1	1	1	1	1
33	H409	Pin, sleeve securing ... ..	1	1	1	1	1	1
34	H413	Plate, damper anchor ... ..	1	1	1	1	1	1
35	F1718	Bolt, damper anchor plate $1\frac{9}{16}$ " U/H ...	1	1	1	1	1	1
36	SI-51	Nut, damper anchor plate ... ..	1	1	1	1	1	1
37	H435	Disc, damper anchor plate friction ... ..	1	1	1	1	1	1
38	H95	Spring, damper anchor plate ... ..	1	1	1	1	1	1



# GROUP 13 – FRONT WHEEL

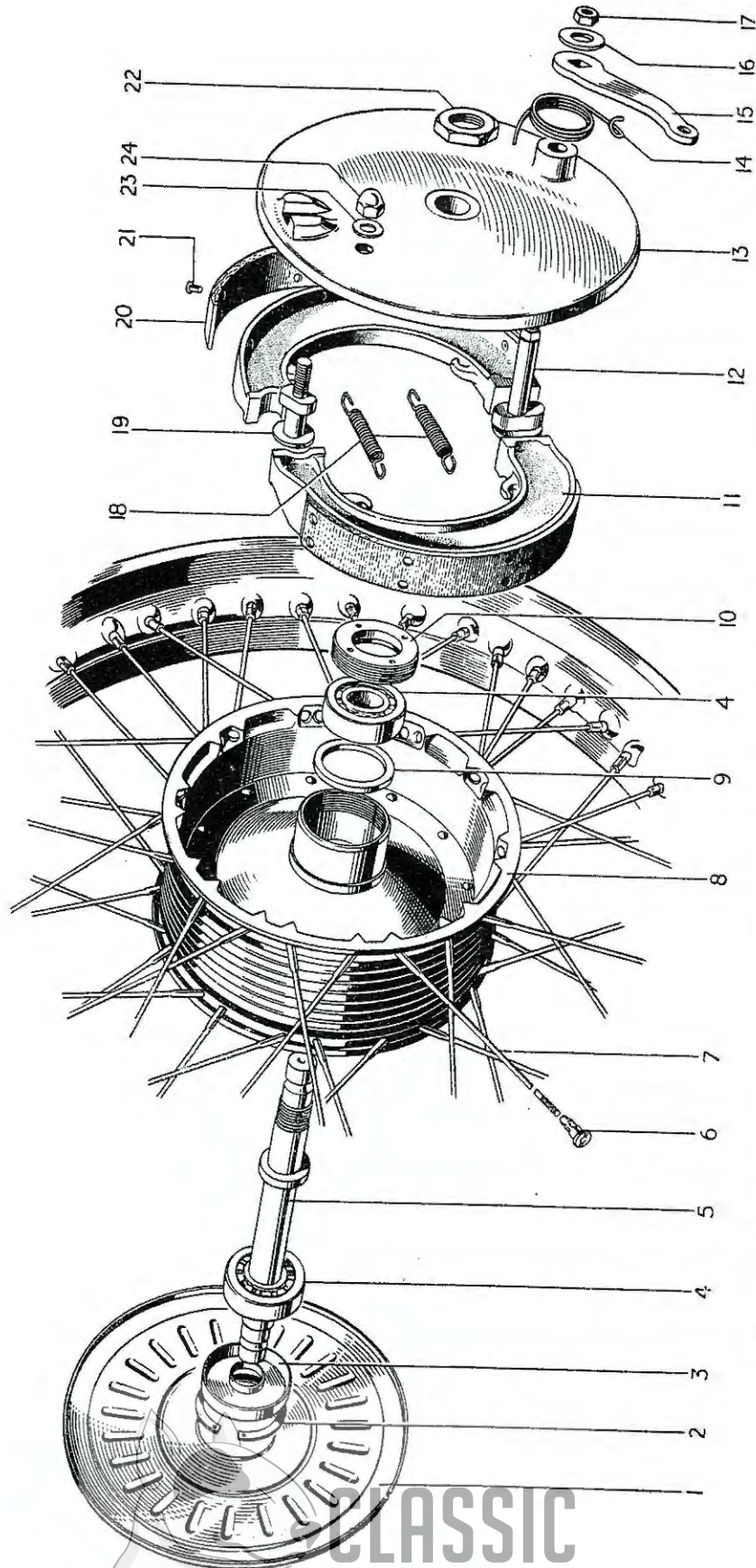


FIG. 17. FRONT WHEEL for SPEED TWIN (5T), THUNDERBIRD (6T), TROPHY (TR5).



# FRONT WHEEL – GROUP 13

## INDEX FIG. 17

<i>Illust. No.</i>	<i>Part No.</i>	<i>Page No.</i>	<i>Ref. No.</i>
1	W1334	59	17
2	T280	59	14
3	W1237	59	13
4	W653	59	12
5	W1239	59	11
6	S79-2	59	8
7	W1236	59	6
8	W1231	59	9
9	W1238	59	15
10	W582	59	16
11	W93	59	26
12	W1243	59	33
13	W1301	59	21
14	W592	59	38
15	W1298	59	34
16	S25-6	59	37
17	S1-52	59	36
18	W135	59	32
19	W1302	59	23
20	NW243	59	29
21	W129	59	31
22	W1246	59	41
23	S25-2	59	24
24	E1435	59	25



# GROUP 13 - FRONT WHEEL

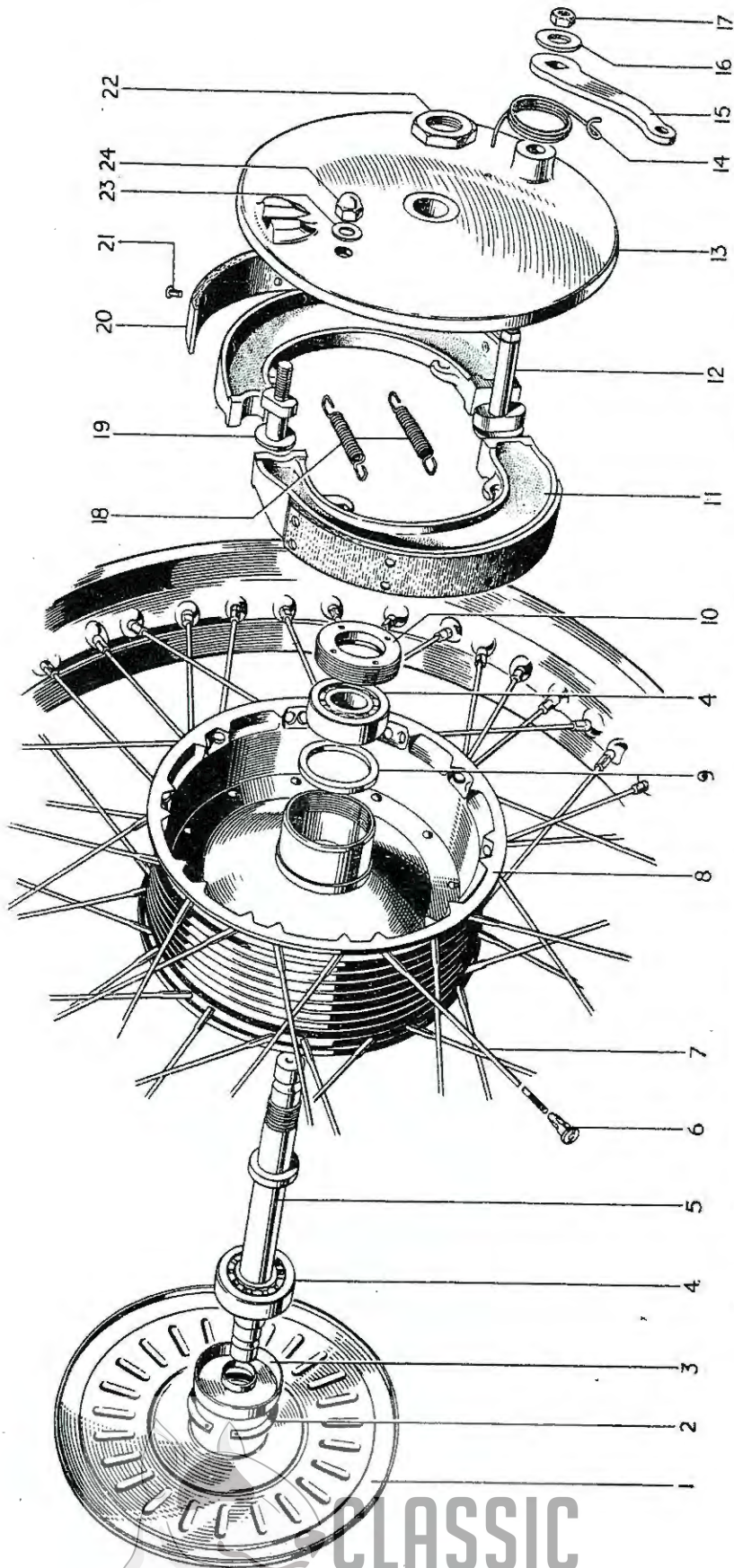
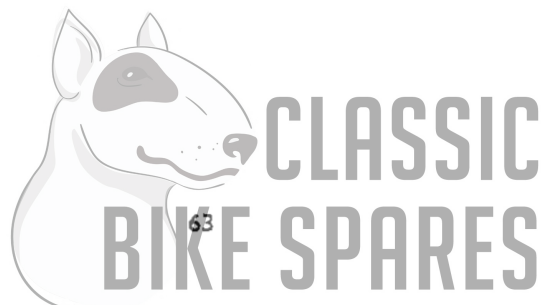


FIG. 18. FRONT WHEEL—TIGER 100 (T100), TIGER 110 (T110) AND TROPHY (TR6)

# FRONT WHEEL – GROUP 13

## INDEX FIG. 18

<i>Illust. No.</i>	<i>Part No.</i>	<i>Page No.</i>	<i>Ref. No.</i>
1	W1332	59	18
2	T280	59	14
3	W1237	59	13
4	W653	59	12
5	W1239	59	11
6	S79-2	59	8
7	W1328	59	7
8	W1325	59	10
9	W1238	59	15
10	W582	59	16
11	W1337	59	27
	W1338	59	28
12	W1243	59	33
13	W1330	59	22
14	W592	59	38
15	W1331	59	35
16	S25-6	59	37
17	S1-52	59	36
18	W135	59	32
19	W1302	59	23
20	W1336	59	29
21	W129	59	31
22	W1246	59	41
23	S25-2	59	24
24	E1435	59	25





# GROUP 14 – REAR WHEEL

REF. No.	PART No.	DESCRIPTION	5T	6T	TR5	T100	T110	TR6
<b>REAR WHEEL—GROUP 14</b>								
1	W.1305	Wheel, rear complete ... ..	1	1	—	1	1	—
2	W.1307	Wheel, rear complete ... ..	—	—	1	—	—	1
3	W.1306	Rim, spokes and hub assembly ... ..	1	1	—	1	1	—
4	W.1308	Rim, spokes and hub assembly ... ..	—	—	1	—	—	1
5	W.79A	Rim, rear wheel WM.2-19 ... ..	1	1	—	1	1	—
6	W.1007	Rim, rear wheel WM.3-18 ... ..	—	—	1	—	—	1
7	*W.1104	Spoke, L.H. 8/10G × 8" 90° ... ..	20	20	—	20	20	—
8	*W.1106	Spoke, R.H. 8/10G × 8 $\frac{3}{8}$ " 90° ... ..	20	20	—	20	20	—
9	*W.1107	Spoke, L.H. 8/10G × 7 $\frac{15}{16}$ " 90° ... ..	—	—	20	—	—	20
10	*W.1108	Spoke, R.H. 8/10G × 7 $\frac{7}{8}$ " 90° ... ..	—	—	20	—	—	20
11	S.79-2	Nipple, spoke ... ..	40	40	40	40	40	40
12	W.1158	Hub ... ..	1	1	1	1	1	1
13	W951	Sprocket, and drum (46T) ... ..	1	1	1	1	1	1
14	W62	Bolt, sprocket and drum to hub $\frac{11}{16}$ " U/H ...	8	8	8	8	8	8
15	SI-51	Nut, sprocket and drum to hub ... ..	8	8	8	8	8	8
16	W63	Lockplate, sprocket and drum nut ... ..	8	8	8	8	8	8
17	W1025	Spindle, rear wheel ... ..	1	1	1	1	1	1
18	F1747	Nut, rear wheel spindle ... ..	2	2	2	2	2	2
19	W653	Bearing, rear wheel ball ... ..	2	2	2	2	2	2
20	W1022	Ring, bearing backing L.H. ... ..	1	1	1	1	1	1
21	W1023	Distance, tube, bearing ... ..	1	1	1	1	1	1
22	W1021	Retaining ring, bearing ... ..	1	1	1	1	1	1
23	W1079	Locking screw, bearing retaining ring $\frac{5}{16}$ " U/H	1	1	1	1	1	1
24	W1024	Distance piece, L.H. bearing ... ..	1	1	1	1	1	1
25	W583	Cap, bearing dust R.H. ... ..	1	1	1	1	1	1
26	W1026	Nut, bearing retaining R.H. ... ..	1	1	1	1	1	1
27	W1134	Chain adjuster, rear wheel ... ..	2	2	2	2	2	2
28	W1015	End plate, adjuster ... ..	2	2	2	2	2	2
29	W1058	Nut, adjuster end plate ... ..	2	2	2	2	2	2
30	D106	Bolt, tyre security ... ..	1	1	—	1	1	—
31	WM3	Bolt, tyre security ... ..	—	—	2	—	—	2

\* Supplied complete with nipple.

## REAR WHEEL BRAKE

32	W1112	Plate, rear brake anchor ... ..	1	1	1	1	1	1
33	F1747	Locknut, rear brake anchor plate ... ..	1	1	1	1	1	1
34	W93	Shoe assembly, rear with lining ... ..	2	2	2	2	2	2
35	NW243	Lining, rear brake shoe ... ..	2	2	2	2	2	2
36	W129	Rivet, brake shoe lining ... ..	16	16	16	16	16	16
37	W135	Spring, brake shoe return ... ..	2	2	2	2	2	2
38	W1083	Cam assembly rear brake ... ..	1	1	1	1	1	1
39	W1085	Lever, rear brake cam ... ..	1	1	1	1	1	1
40	SI-52	Nut, rear brake cam lever ... ..	1	1	1	1	1	1
41	W1090	Spring, rear brake cam lever return ... ..	1	1	1	1	1	1
42	DS47	Nut, Torque stay securing ... ..	1	1	1	1	1	1
43	PCW73A	Washer, torque stay nut ... ..	1	1	1	1	1	1

# REAR WHEEL - GROUP 14

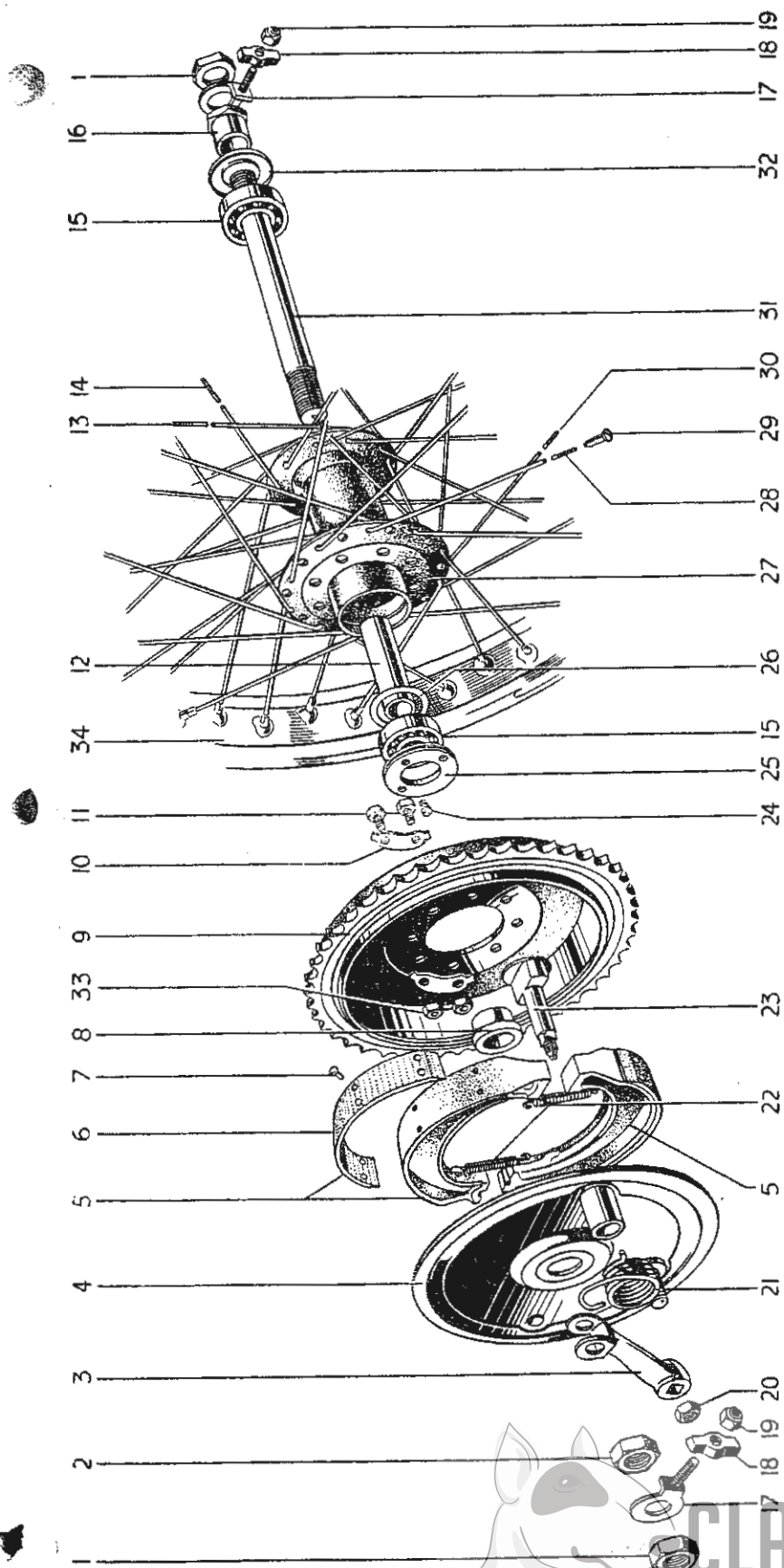
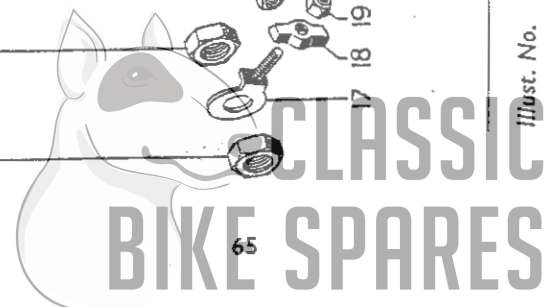


FIG. 19. REAR WHEEL

## INDEX FIG. 19

Illust. No.	Part No.	Page No.	Ref. No.	Illust. No.	Part No.	Page No.	Ref. No.	Illust. No.	Part No.	Page No.	Ref. No.
1	F1747	64	18	13	W1108	64	10	25	W1021	64	22
2	F1747	64	33	14	W1106	64	8	26	W1022	64	20
3	W1085	64	39	15	W1108	64	10	27	W1158	64	12
4	W1112	64	32	16	W653	64	19	28	W1104	64	7
5	W93	64	34	17	W1026	64	26	29	W1107	64	9
6	NW243	64	35	18	W1134	64	27	30	S79-2	64	11
7	W129	64	36	19	W1015	64	28	31	W1104	64	7
8	W1024	64	24	20	W1058	64	29	32	W1107	64	9
9	W951	64	13	21	S1-52	64	40	33	W1025	64	17
10	W63	64	16	22	W1090	64	41	34	W583	64	25
11	W62	64	14	23	W135	64	37		SI-51	64	15
12	W1023	64	21	24	W1083	64	38		W79A	64	5
13	W1106	64	8	24	W1079	64	23		W1007	64	6





# GROUP 15 – REAR WHEEL (QUICKLY DETACHABLE)

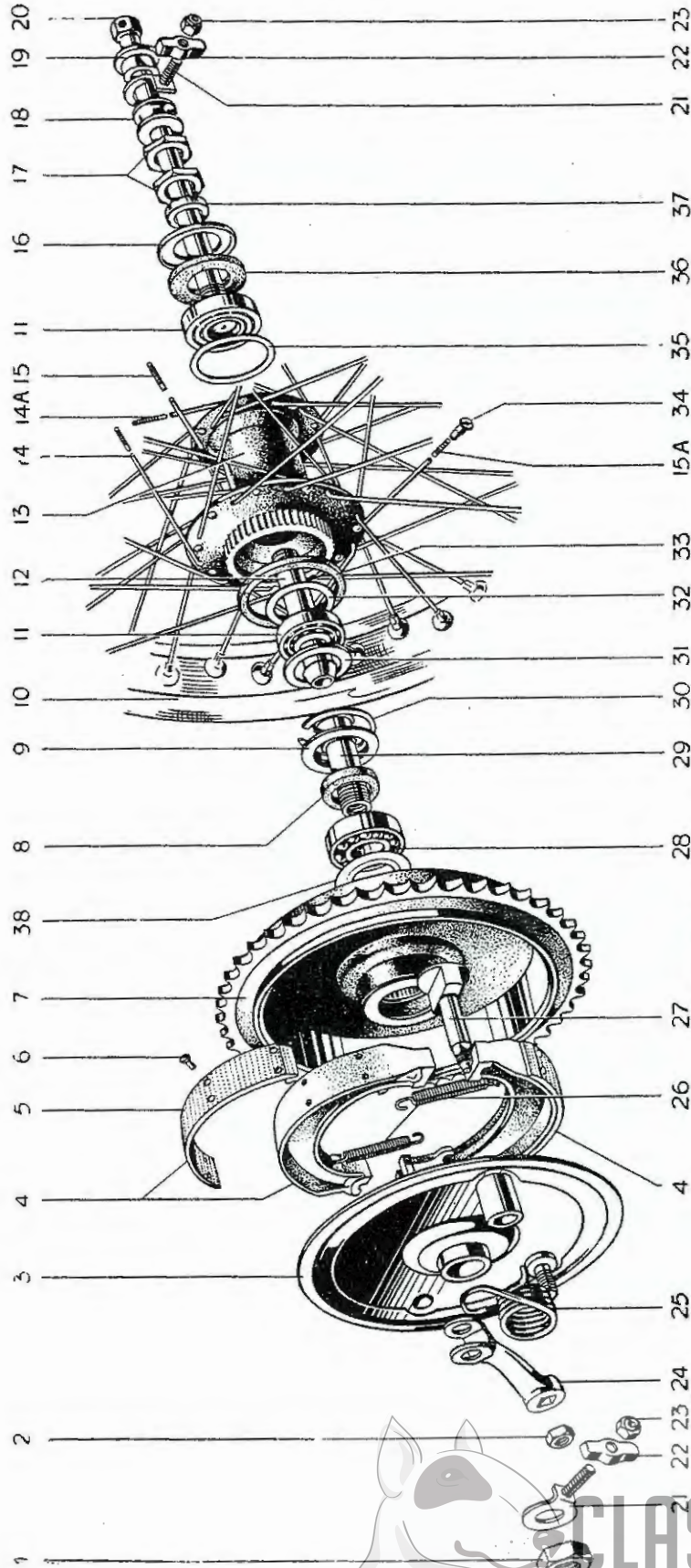
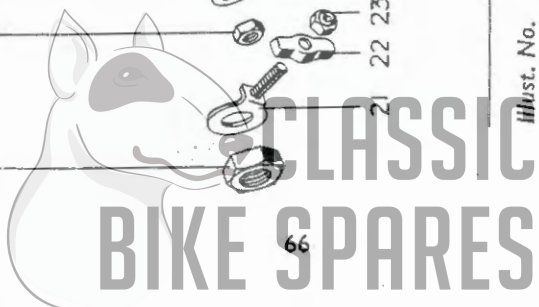


FIG. 20. REAR WHEEL (QUICKLY DETACHABLE)

## INDEX FIG. 20

Illust. No.	Part No.	Page No.	Ref. No.	Illust. No.	Part No.	Page No.	Ref. No.	Illust. No.	Part No.	Page No.	Ref. No.
1	WI052	67	32		WI107	67	9	24	WI085	67	42
2	SI-52	67	41	14A	WI106	67	8	25	WI090	67	40
3	WI121	67	38		WI108	67	10	26	WI35	67	46
4	W93	67	43	15	WI106	67	8	27	WI083	67	39
5	NW243	67	44		WI108	67	10	28	WI041	67	24
6	WI29	67	45	15A	WI104	67	7	29	WI045	67	28
7	WI040	67	22		WI107	67	9	30	WI044	67	27
8	WI042	67	25	16	WI038	67	18	31	WI035	67	15
9	WI043	67	26	17	E398	67	20	32	WI033	67	13
10	W79A	67	5	18	WI053	67	33	33	WI091	67	21
	WI007	67	6	19	WI170	67	34	34	S79-2	67	11
11	WI034	67	14	20	WI055	67	35	35	WI033	67	13
12	WI039	67	19	21	WI135	67	29	36	WI036	67	16
13	WI100	67	12	22	WI015	67	30	37	WI037	67	17
14	WI104	67	7	23	WI058	67	31	38	WI143	67	23













**GROUP 16 – MUDGUARD**  
**GROUP 17 – NUMBER PLATE**

REF. No.	PART No.	DESCRIPTION	5T	6T	TR5	T100	T110	TR6
<b>LICENCE HOLDER</b>								
1	D261	Licence holder, etc. ... ..	1	1	1	1	1	1
2	DS57	Bolt, licence holder securing $\frac{7}{16}$ " U/H ...	1	1	—	1	1	—
3	S25-1	Washer, licence holder securing bolt ...	1	1	—	1	1	—
4	F879	Nut, licence holder securing bolt ... ..	1	1	—	1	1	—
<b>REAR MUDGUARD</b>								
5	F4394	Mudguard assembly, complete ... ..	1	1	—	1	1	—
6	F3685	Mudguard assembly, complete ... ..	—	—	1	—	—	1
7	F3599	Bracket, mudguard to rear engine plates ...	1	1	1	1	1	1
8	F2335	Bolt, bracket to rear engine plates $\frac{11}{16}$ " U/H	2	2	2	2	2	2
9	SI-51	Nut, mudguard bracket bolt ... ..	2	2	2	2	2	2
10	S26-3	Washer, mudguard bracket bolt ... ..	2	2	2	2	2	2
11	DS57	Bolt, mudguard to bracket $\frac{7}{16}$ " U/H ...	2	2	2	2	2	2
12	F879	Nut, mudguard to bracket bolt ... ..	2	2	2	2	2	2
13	S26-2	Washer, mudguard to bracket bolt ... ..	2	2	2	2	2	2
14	F3632	Bolt, mudguard to frame $1\frac{1}{16}$ " U/H ...	2	2	2	2	2	2
15	SI-51	Nut, mudguard to frame bolt ... ..	2	2	2	2	2	2
16	S26-3	Washer, mudguard to frame bolt ... ..	2	2	2	2	2	2
17	F3896	Lifting handle, rear ... ..	1	1	1	1	1	1
18	DS57	Bolt, lifting handle to mudguard $\frac{7}{16}$ " U/H	2	2	2	2	2	2
19	F879	Nut, lifting handle bolt ... ..	2	2	2	2	2	2
20	S26-2	Washer, lifting handle bolt ... ..	2	2	2	2	2	2
21	D324	Mudflap, rubber ... ..	A	A	A	A	A	A

**NUMBER PLATE—GROUP 17**

**FRONT NUMBER PLATE**

22	F2698	Plate assembly, number ... ..	1	1	—	1	1	—
23	F2996	Plate number ... ..	—	—	1	—	—	1
24	H741	Clip, plate to mudguard c/w nut and bolt ...	—	—	2	—	—	2
25	H687	Screw, plate to clip $\frac{3}{8}$ " U/H ... ..	—	—	2	—	—	2
26	F879	Nut, plate stud ... ..	2	2	—	2	2	—
27	H745	Nut, plate clip screw ... ..	—	—	2	—	—	2
28	S26-2	Washer, stud ... ..	2	2	—	2	2	—
29	H251	Beading, plate (rubber) ... ..	1	1	—	1	1	—

**REAR NUMBER PLATE**

30	F3363	Plate, rear number ... ..	1	1	1	1	1	1
31	F929	Bolt, rear number plate top $\frac{1}{2}$ " U/H ...	1	1	1	1	1	1
32	SI-51	Nut, rear number plate top bolt ... ..	1	1	1	1	1	1
33	S26-3	Washer, number plate top bolt ... ..	1	1	1	1	1	1
34	F1369	Bolt, rear number plate bottom $\frac{5}{8}$ " U/H ...	2	2	2	2	2	2
35	S26-2	Washer, bottom bolt nut ... ..	2	2	2	2	2	2
36	F879	Nut, bottom bolt ... ..	2	2	2	2	2	2
37	D68	Transfer, number plate (gold and white) ...	1	1	1	1	1	1



# PETROL AND OIL TANK – GROUP 18

REF. No.	PART No.	DESCRIPTION	5T	6T	TR5	T100	T110	TR6
<b>PETROL AND OIL TANK—GROUP 18</b>								
<b>PETROL TANK (ALWAYS STATE COLOUR REQUIRED)</b>								
1	F.4115	Tank, petrol (4 gallons)	1	1	—	1	1	—
2	F.4116	Tank, petrol (3 gallons)	—	—	1	A	A	1
3	F.4148	Styling strip, L.H. front	1	1	—	1	1	—
4	F.4151	Styling strip, R.H. front	1	1	—	1	1	—
5	F.4146	Styling strip, L.H. rear	1	1	—	1	1	—
6	F.4149	Styling strip, R.H. rear ...	1	1	—	1	1	—
7	F.4235	Styling strip, L.H. front	—	—	1	A	A	1
8	F.4237	Styling strip, R.H. front	—	—	1	A	A	—
9	F.4236	Styling strip, L.H. rear	—	—	1	A	A	1
10	F.4238	Styling strip, R.H. rear ...	—	—	1	A	A	1
11	F.4127	Styling unit, L.H.	1	1	1	1	1	1
12	F.4128	Styling unit, R.H.	1	1	1	1	1	1
13	F.4129	Screw, unit securing (-435° U/H)	4	4	4	4	4	4
14	F.3220	Cap, tank filler ...	1	1	—	1	1	—
15	F.3219	Cap, tank filler c/w jack chain	—	—	1	—	—	1
16	F.4048	Washer, cap joint	1	1	1	1	1	1
17	F3967	Band, centre styling	1	1	1	1	1	1
18	F4019	Washer, shakeproof	1	1	1	1	1	1
19	H919	Nut, band fixing tag	1	1	1	1	1	1
20	F2551	Pad, knee grip L.H.	1	1	—	1	1	—
21	F2552	Pad, knee grip R.H.	1	1	—	1	1	—
22	F1606	Pad, knee grip L.H. (Export Tigers)	—	—	1	A	A	1
23	F1605	Pad, knee grip R.H. (Export Tigers)	—	—	1	A	A	1
24	F3915	Plate, knee grip insert L.H. (Export Tigers) ...	—	—	1	A	A	1
25	F3916	Plate, knee grip insert R.H. (Export Tigers) ...	—	—	1	A	A	1
26	F1953	Screw, knee grip pad $\frac{5}{8}$ " U/H	4	4	—	4	4	—
27	T361	Bolt, knee grip pad	—	—	4	A	A	4
28	S25-13	Washer, knee grip bolt	—	—	4	A	A	4
29	F1808	Bolt petrol tank fixing $1\frac{1}{8}$ " U/H	4	4	4	4	4	4
30	F.1813	Washer, rubber (upper)	4	4	4	4	4	4
31	F.967	Washer, rubber (lower front)	2	2	2	2	2	2
32	F.3815	Washer, rubber spigotted (rear)	2	2	2	2	2	2
33	S25-27	Washer, plain	4	4	4	4	4	4
34	F1717	Tap, petrol feed	1	1	—	—	—	—
35	F3057	Tap, petrol feed L.H.	—	—	1	1	1	1
36	F3116	Tap, petrol feed R.H. (reserve)	—	—	1	1	1	1
37	F1511	Washer, petrol tap and plug	2	2	2	2	2	2
38	F3329	Plug, petrol tank...	1	1	—	—	—	—
39	F4448	Pipe, petrol feed	1	—	—	—	—	—
40	F3332	Pipe, petrol feed	—	1	—	—	—	—
41	F4450	Pipe, petrol feed	—	—	1	1	1	1



# GROUP 18 – PETROL AND OIL TANK

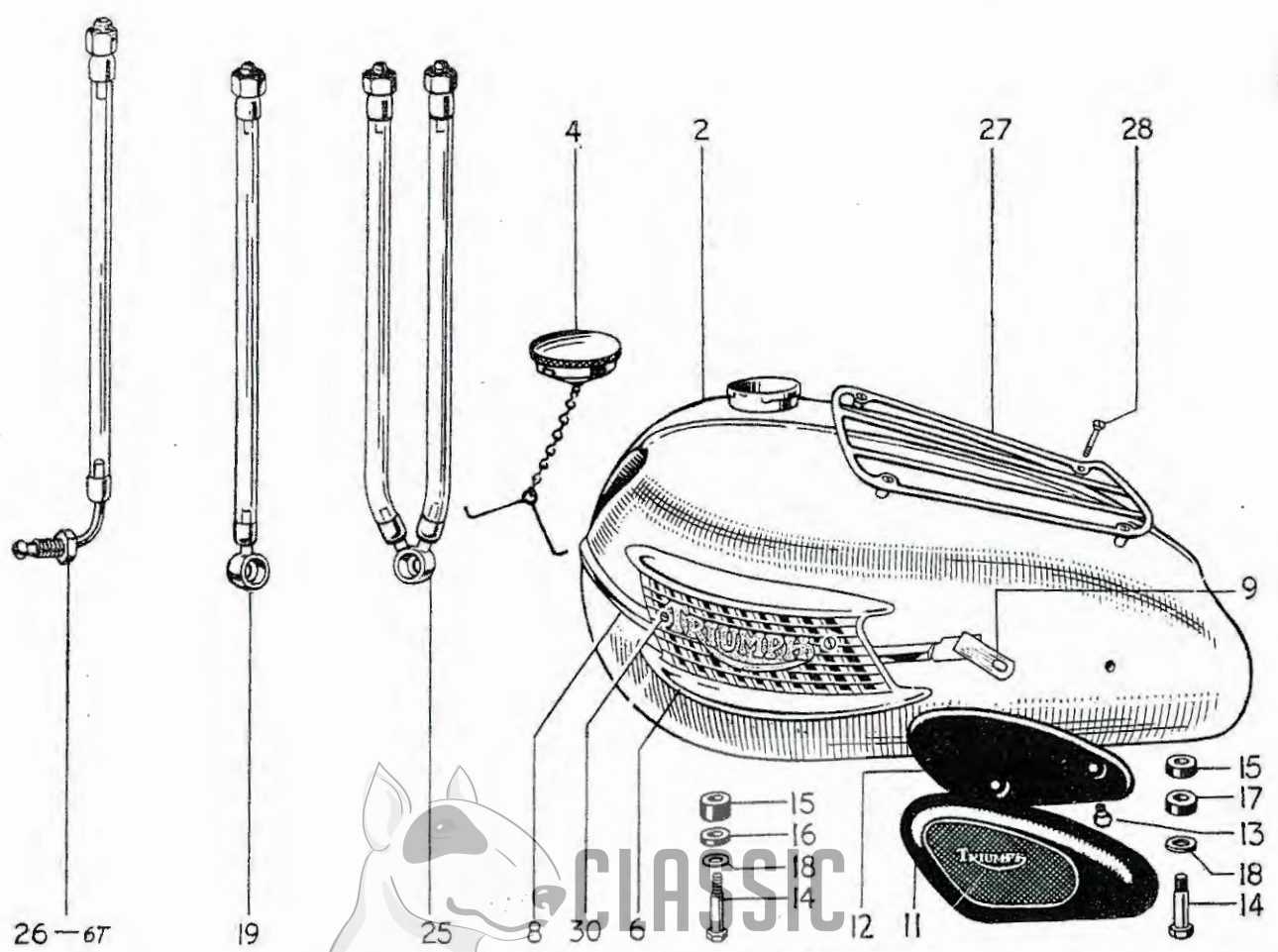
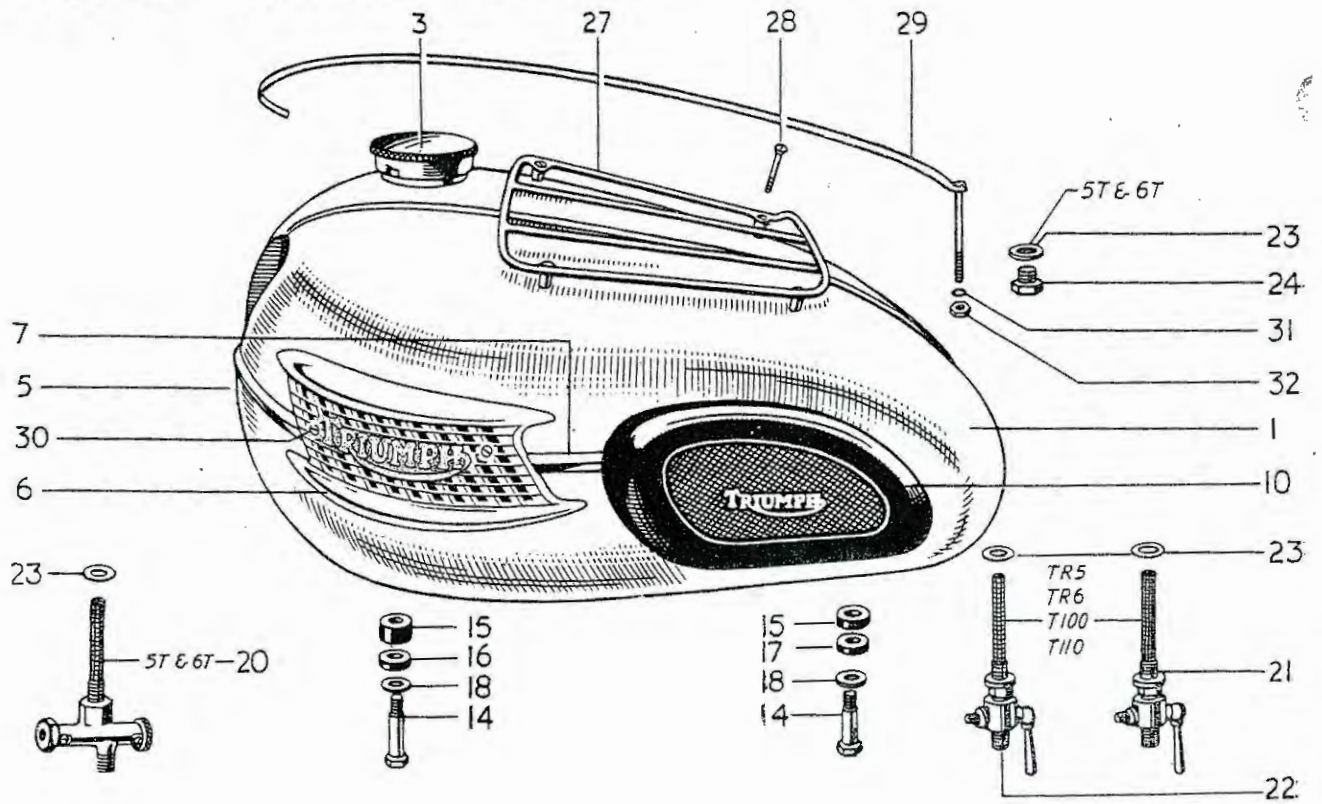
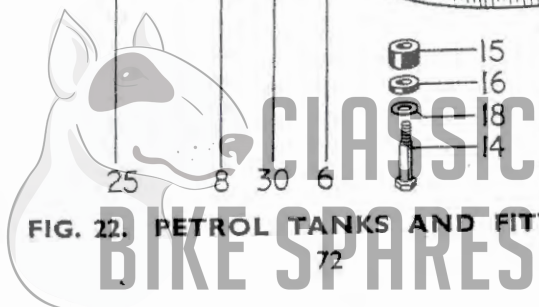


FIG. 22. PETROL TANKS AND FITTINGS





# PETROL AND OIL TANK – GROUP 18

## INDEX FIG. 22

<i>Illust. No.</i>	<i>Part No.</i>	<i>Page No.</i>	<i>Ref. No.</i>	<i>Illust. No.</i>	<i>Part No.</i>	<i>Page No.</i>	<i>Ref. No.</i>
1	F4115	71	1	17	F3815	71	32
2	F4116	71	2	18	S25-27	71	33
3	F3220	71	14	19	F4448	71	39
4	F3219	71	15	20	F1717	71	34
5	F4148	71	3	21	F3116	71	36
6	F4127	71	11	22	F3057	71	35
7	F4146	71	5	23	F1511	71	37
8	F4235	71	7	24	F3329	71	38
9	F4236	71	9	25	F4450	71	41
10	F2551	71	20	26	F3332	71	40
11	F1606	71	22	27	F3917	74	1
12	F3915	71	24	28	F2936	74	2
13	T361	71	27	29	F3967	71	17
14	F1808	71	29	30	F4129	71	13
15	F1813	71	30	31	F4019	71	18
16	F967	71	31	32	H919	71	19





# PETROL AND OIL TANK – GROUP 18

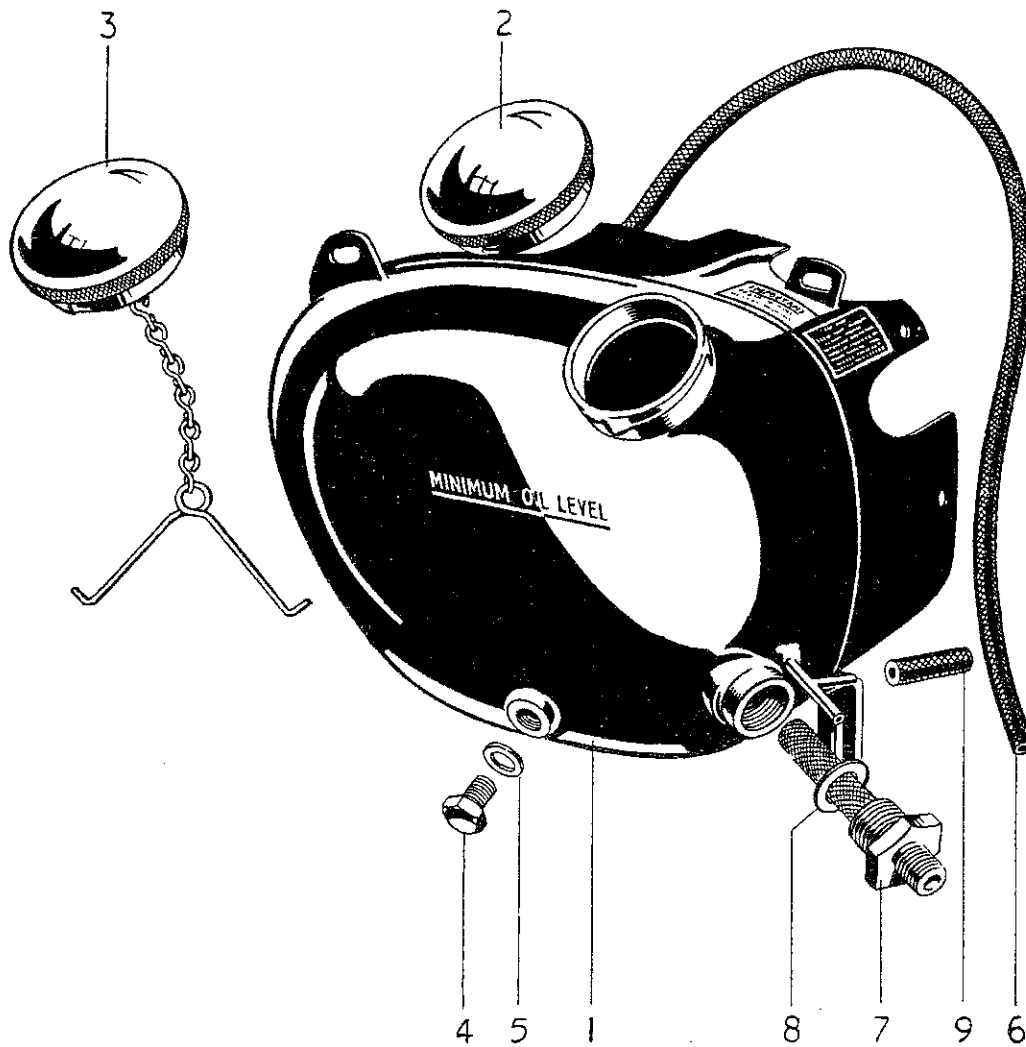


FIG. 23. OIL TANK

## INDEX FIG. 23

Illust. No.	Part No.	Page No.	Ref. No.	Illust. No.	Part No.	Page No.	Ref. No.
1	F3856	74	4	6	T1203	74	10
2	F3658	74	5	7	F3179	74	17
3	F3796	74	6	8	F1713	74	18
4	E1792	74	8	9	E3383	35	9
5	PT104B	74	9				





# PRIMARY CHAINCASE – GROUP 20

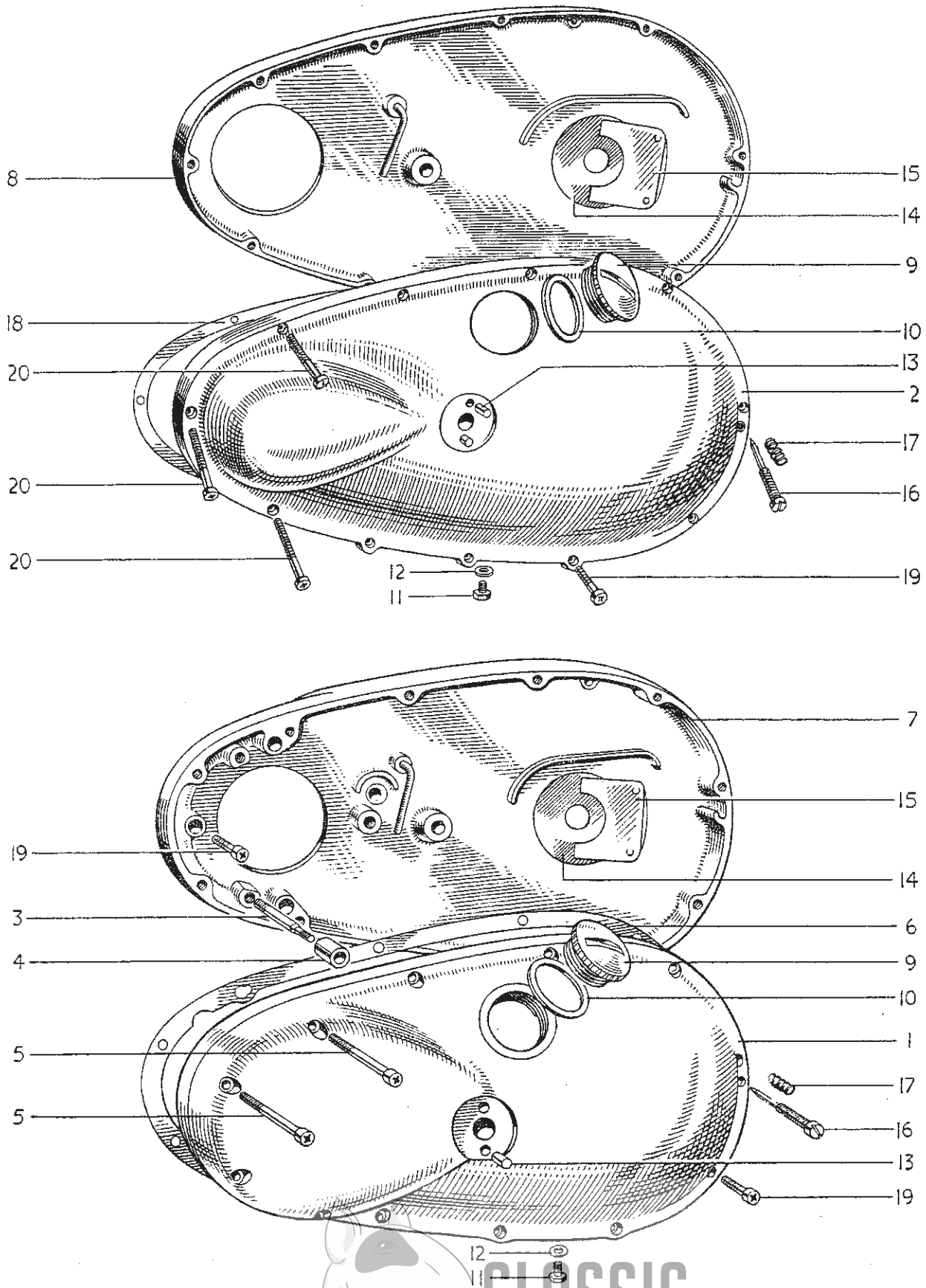


FIG. 24. PRIMARY CHAINCASE





# HANDLEBAR – GROUP 21

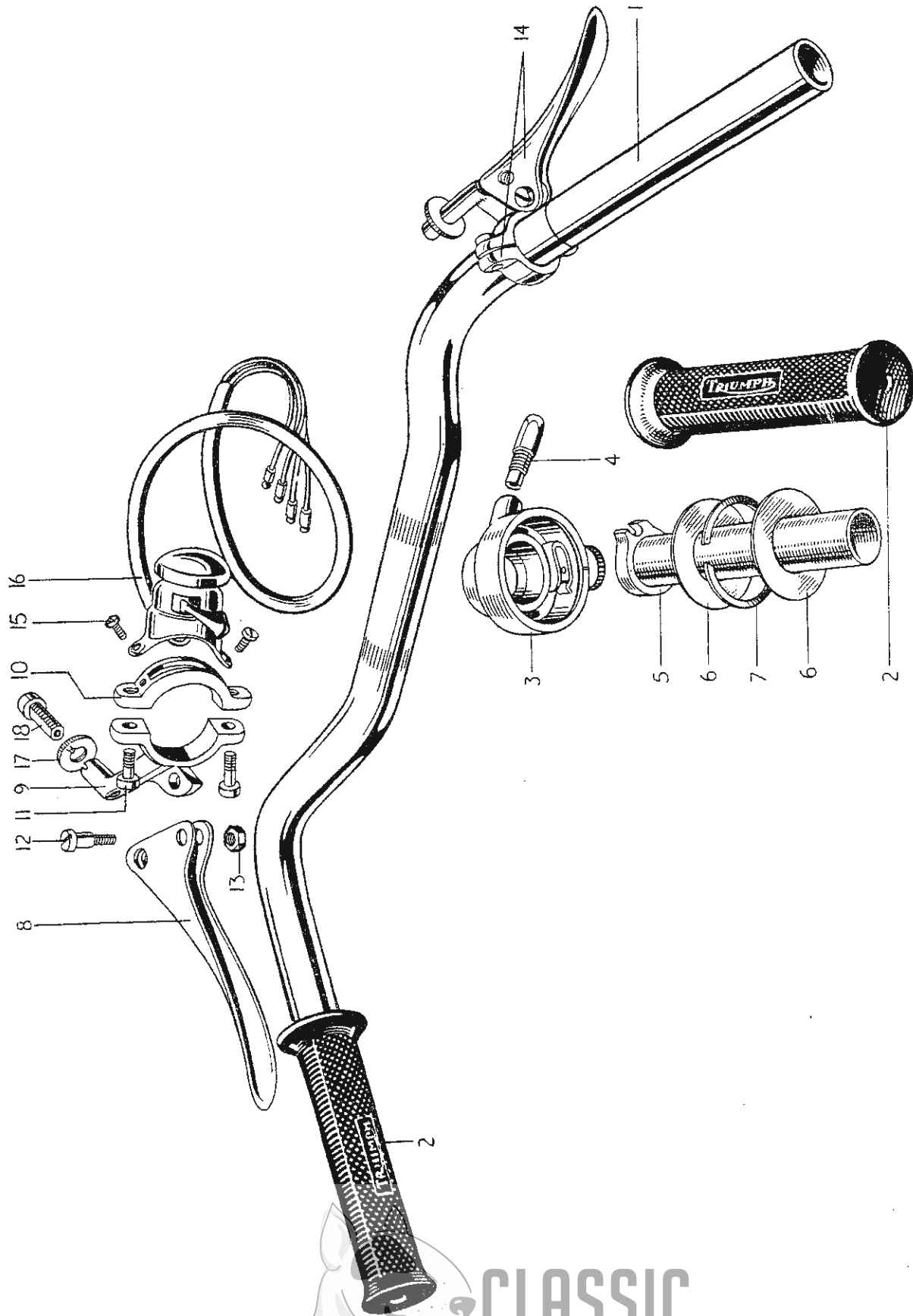


FIG. 25. HANDLEBAR AND CONTROLS

## GROUP 21 – HANDLEBAR

REF. No.	PART No.	DESCRIPTION	5T	6T	TR5	T100	T110	TR6
<b>FRONT BRAKE CONTROL</b>								
1	18/886	Lever assembly, front brake ... ..	1	1	—	1	1	—
2	18/908	Lever assembly, front brake (ball-ended) ...	—	—	1	—	—	1
3	18/535	Lever only ... ..	1	1	—	1	1	—
4	18/754	Lever only (ball-ended) ... ..	—	—	1	—	—	1
5	18/890	Bracket, lever fulcrum ... ..	1	1	1	1	1	1
6	12/044	Clamp, lever bracket ... ..	1	1	1	1	1	1
7	11/014	Screw, lever bracket to clamp ... ..	2	2	2	2	2	2
8	18/087	Screw, lever fulcrum ... ..	1	1	1	1	1	1
9	18/053	Nut, lever fulcrum screw ... ..	1	1	1	1	1	1
10	18/838	Screw, adjuster ... ..	1	1	1	1	1	1
11	18/839	Nut, thumb ... ..	1	1	1	1	1	1
12	18/880	Nipple, slotted barrel ... ..	1	1	1	1	1	1
<b>CLUTCH CONTROL</b>								
13	18/894	Lever assembly clutch ... ..	1	1	—	1	1	—
14	18/909	Lever assembly clutch (ball-ended) ... ..	—	—	1	—	—	1
15	18/528	Lever only ... ..	1	1	—	1	1	—
16	18/752	Lever only (ball-ended) ... ..	—	—	1	—	—	1
17	18/892	Bracket, lever fulcrum ... ..	1	1	1	1	1	1
18	H668	Clamp, lever bracket ... ..	1	1	1	1	1	1
19	61/004	Screw, lever bracket to clamp ... ..	2	2	2	2	2	2
20	18/087	Screw, lever fulcrum ... ..	1	1	1	1	1	1
21	18/053	Nut, lever fulcrum screw ... ..	1	1	1	1	1	1
22	18/838	Screw, adjuster ... ..	1	1	1	1	1	1
23	18/839	Nut, thumb ... ..	1	1	1	1	1	1
24	18/880	Nipple, slotted barrel ... ..	1	1	1	1	1	1
<b>AIR CONTROL</b>								
25	12/612	Lever assembly air control ... ..	1	—	—	1	1	—
26	12/614	Lever assembly air control (chrome) ... ..	—	—	1	—	—	1
27	12/016	Lever only ... ..	1	—	—	1	1	—
28	12/556	Lever only ... ..	—	—	1	—	—	1
29	12/607	Bolt, centre ... ..	1	—	1	1	1	1
30	12/606	Cap ... ..	1	—	1	1	1	1
31	12/033	Washer, centre spring ... ..	1	—	1	1	1	1
32	11/014	Screw, fixing clip ... ..	2	—	2	2	2	2
33	12/044	Clip, fixing ... ..	1	—	1	1	1	1

## HANDLEBAR GROUP 21 CONTROL CABLE — GROUP 22

REF. No.	PART No.	DESCRIPTION	5T	6T	TR5	T100	T110	TR6
----------	----------	-------------	----	----	-----	------	------	-----

### MAGNETO CONTROL

1	12/613	Lever assembly, magneto control ... ..	—	—	1	1	1	1
2	12/014	Lever only ... ..	—	—	1	1	1	1
3	12/607	Bolt, centre ... ..	—	—	1	1	1	1
4	12/606	Cap, centre ... ..	—	—	1	1	1	1
5	12/033	Washer, spring ... ..	—	—	1	1	1	1
6	11/014	Screw, clip fixing ... ..	—	—	2	2	2	2
7	12/044	Clip, fixing ... ..	—	—	1	1	1	1

## CONTROL CABLE—GROUP 22

### CLUTCH CABLE

8	D388	Cable assembly, clutch ... ..	1	1	1	1	1	1
9	D103	Ferrule, cable casing ... ..	2	2	2	2	2	2
10	D368	Nipple ... ..	2	2	2	2	2	2

### FRONT BRAKE CABLE

11	D384	Cable assembly, brake ... ..	1	1	1	—	—	—
12	D386	Cable assembly, brake ... ..	—	—	—	1	1	1
13	D103	Ferrule, cable casing ... ..	2	2	2	2	2	2
14	D368	Nipple (handlebar end) ... ..	1	1	1	1	1	1
15	W593	Fork end ... ..	1	1	1	1	1	1

### THROTTLE CABLE

16	D224	Cable assembly, throttle ... ..	1	—	1	1	1	1
17	D269	Cable assembly, throttle ... ..	—	1	—	—	—	—
18	H670	Guide tube, throttle wire ... ..	1	1	1	1	1	1
19	D101	Ferrule, throttle casing ... ..	3	2	3	3	3	3
20	D83	Nipple, throttle wire (handlebar end) ... ..	1	1	1	1	1	1
21	NS191	Nipple, throttle wire (carburettor end) ... ..	1	1	1	1	1	1
22	D104	Adjuster, throttle casing ... ..	1	—	1	1	1	1
23	D267	Adjuster, throttle casing ... ..	—	1	—	—	—	—
24	D268	Nut, throttle casing adjuster ... ..	—	2	—	—	—	—
25	D271	Spring, throttle lever return ... ..	—	1	—	—	—	—





## REAR BRAKE CONTROL — GROUP 24 FOOTREST — GROUP 25

REF. No.	PART No.	DESCRIPTION	5T	6T	TR5	T100	T110	TR6
----------	----------	-------------	----	----	-----	------	------	-----

### REAR BRAKE CONTROL—GROUP 24

1	F3595	Pedal, rear brake ... ..	1	1	1	1	1	1
2	F867	Spindle, rear brake pedal ... ..	1	1	1	1	1	1
3	DS48	Nut, rear brake spindle to frame ... ..	1	1	1	1	1	1
4	SCZ45	Washer, rear brake spindle to frame ... ..	1	1	1	1	1	1
5	SI-52	Nut, pedal spindle ... ..	1	1	1	1	1	1
6	S25-2	Washer, pedal spindle (plain) ... ..	1	1	1	1	1	1
7	S26-16	Washer, pedal spindle (spring) ... ..	1	1	1	1	1	1
8	F3597	Rod, brake operating ... ..	1	1	1	1	1	1
9		$\frac{1}{8}$ " $\times$ $\frac{1}{2}$ " Split pin ... ..	1	1	1	1	1	1
10	S25-13	Washer, brake rod for split pin ... ..	1	1	1	1	1	1
11	W11	Pivot roller, brake arm to rod ... ..	1	1	1	1	1	1
12	F3667	Thumb nut, brake rod adjusting ... ..	1	1	1	1	1	1

### FOOTREST—GROUP 25

13	F3593	Footrest, R.H. ... ..	1	1	1	1	1	1
14	F987	Footrest, L.H. ... ..	1	1	1	1	1	1
15	NF704	Rubber, footrest ... ..	2	2	2	2	2	2
16	F3592	Rod, footrest ... ..	1	1	1	1	1	1
17	DS48	Nut, footrest rod ... ..	2	2	2	2	2	2
18	NT316	Dowel, footrest R.H. ... ..	4	4	4	4	4	4
19	F862	Distance tube, engine plate ... ..	1	1	1	1	1	1
20	T87	Distance tube, L.H. footrest ... ..	1	1	1	1	1	1

### PILLION FOOTREST

21	F1694	Pedal, footrest ... ..	2	2	2	2	2	2
22	F169S	Rubber, footrest pedal ... ..	2	2	2	2	2	2
23	F2271	Bolt, footrest pedal pivot $\frac{1}{8}$ " U/H ... ..	2	2	2	2	2	2
24	SI-51	Nut, footrest pedal pivot bolt ... ..	2	2	2	2	2	2
25	F2277	Washer, footrest pedal pivot bolt ... ..	2	2	2	2	2	2





# BATTERY CARRIER AND TOOLBOX – GROUP 26

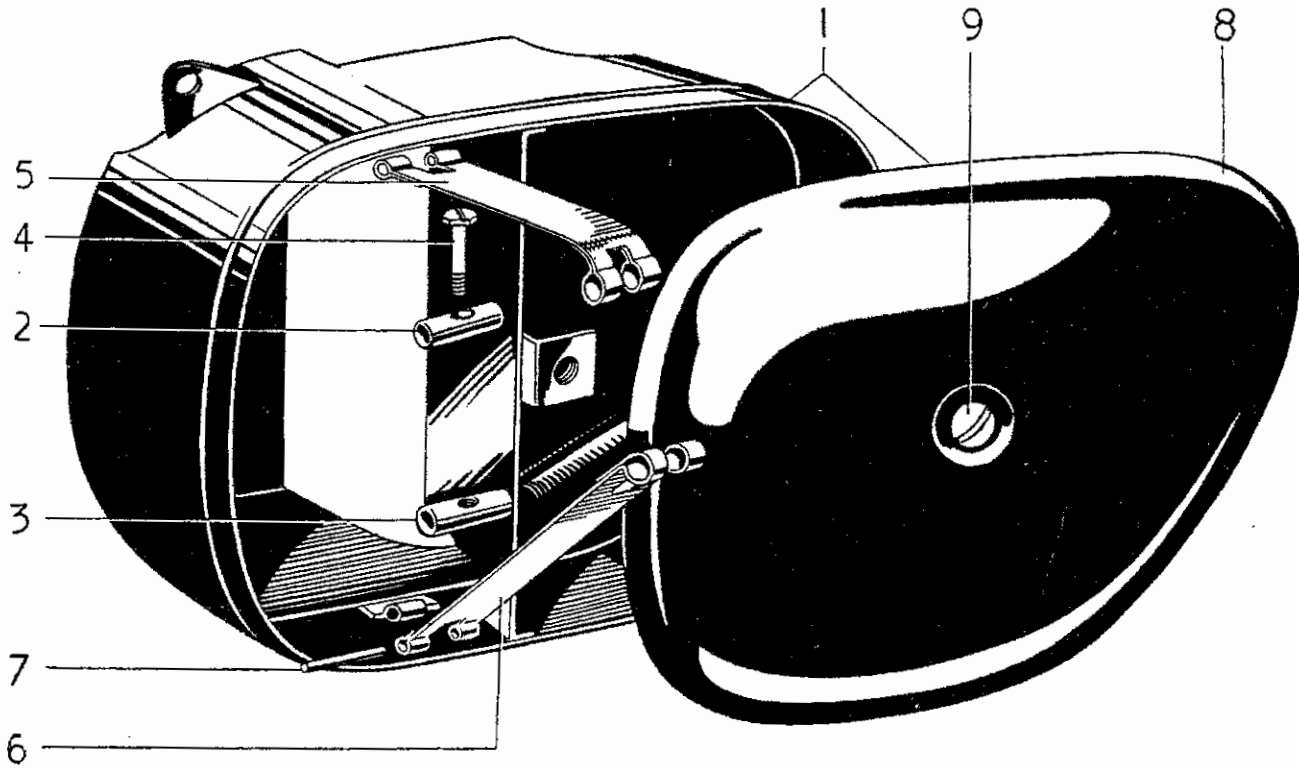


FIG. 26. BATTERY CARRIER AND TOOL BOX

## INDEX FIG. 26

Illust. No.	Part No.	Page No.	Ref. No.	Illust. No.	Part No.	Page No.	Ref. No.
1	F3870	84	1	6	F1668	84	6
2	E534	84	2	7	F1727	84	7
3	E535	84	3	8	F3874	84	8
4	E536	84	4	9	F3875	84	9
5	F3588	84	5				

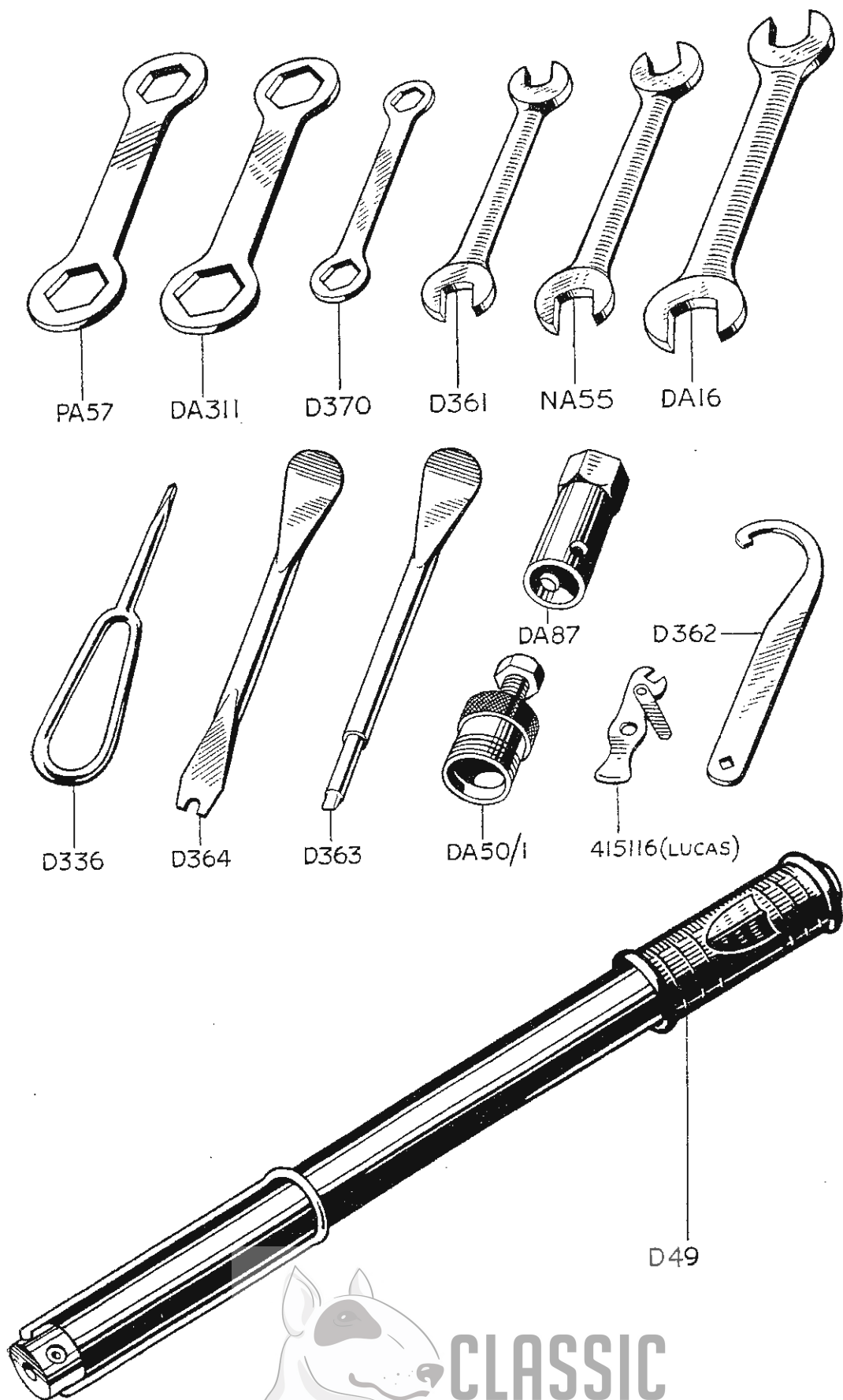
## GROUP 27 – TOOLKIT

REF. No.	PART No.	DESCRIPTION	5T	6T	TR5	T100	T110	TR6
<b>TOOLKIT—GROUP 27</b>								
1	D.365	Toolkit, complete ... ..						
2	WA.58	Roll, canvas tool ... ..						
3	D.360	Spanner, open $\frac{1}{8}$ " $\times$ $\frac{3}{16}$ " Whit. ... ..						
4	D.361	Spanner, open $\frac{3}{16}$ " $\times$ $\frac{1}{2}$ " Whit. ... ..						
5	NA.55	Spanner, open $\frac{1}{2}$ " $\times$ $\frac{1}{8}$ " Whit. ... ..						
6	DA.16	Spanner, open $\frac{3}{8}$ " $\times$ $\frac{7}{16}$ " Whit. ... ..						
7	PA.57	Spanner, closed $\frac{1}{2}$ " $\times$ $\frac{9}{16}$ " Whit. ... ..						
8	D.311	Spanner, closed $\frac{5}{8}$ " $\times$ $\frac{11}{16}$ " Whit. ... ..						
9	D.362	"C" Spanner and Tappet Key ... ..						
10	D.87	Box spanner, plugs ... ..						
11	D.363	Tyre lever and screw driver ... ..						
12	D.364	Tyre lever and clutch key ... ..						
13	DA.50/1	Extractor, clutch hub ... ..						
14	D.336	Screwdriver, Phillips No. 3 ... ..						
15	415116	Spanner, magneto points ... ..	—	—				
16	400935	Screwdriver, distributor points ... ..			—	—	—	—
17	D.49	Tyre inflator (not in kit) ... ..						
18	D.220	Spanner, fork cap nuts (not in kit) ... ..	A	A	A	A	A	A
19	167	Extractor, chain rivet (not in kit) ... ..	A	A	A	A	A	A

### SPECIAL WORKSHOP TOOLS

A COMPLETE LIST OF WORKSHOP TOOLS CAN BE MADE AVAILABLE BY EITHER CONTACTING YOUR DEALER OR APPLYING DIRECT TO THE TRIUMPH SERVICE DEPARTMENT. IN MOST CASES THESE TOOLS ARE VERY COSTLY AS THEY ARE MADE ENTIRELY FOR WORKSHOP USE, AND THEREFORE, IT IS NOT RECOMMENDED THAT THE PRIVATE OWNER PURCHASES THE TOOLS IN ORDER TO AID SERVICING THE MACHINE ONCE OR TWICE ONLY. IN THESE CIRCUMSTANCES IT IS FAR MORE ECONOMICAL TO GET IN TOUCH WITH A RECOGNISED DEALER.

TOOLKIT – GROUP 27





# GROUP 28 – AIR FILTER

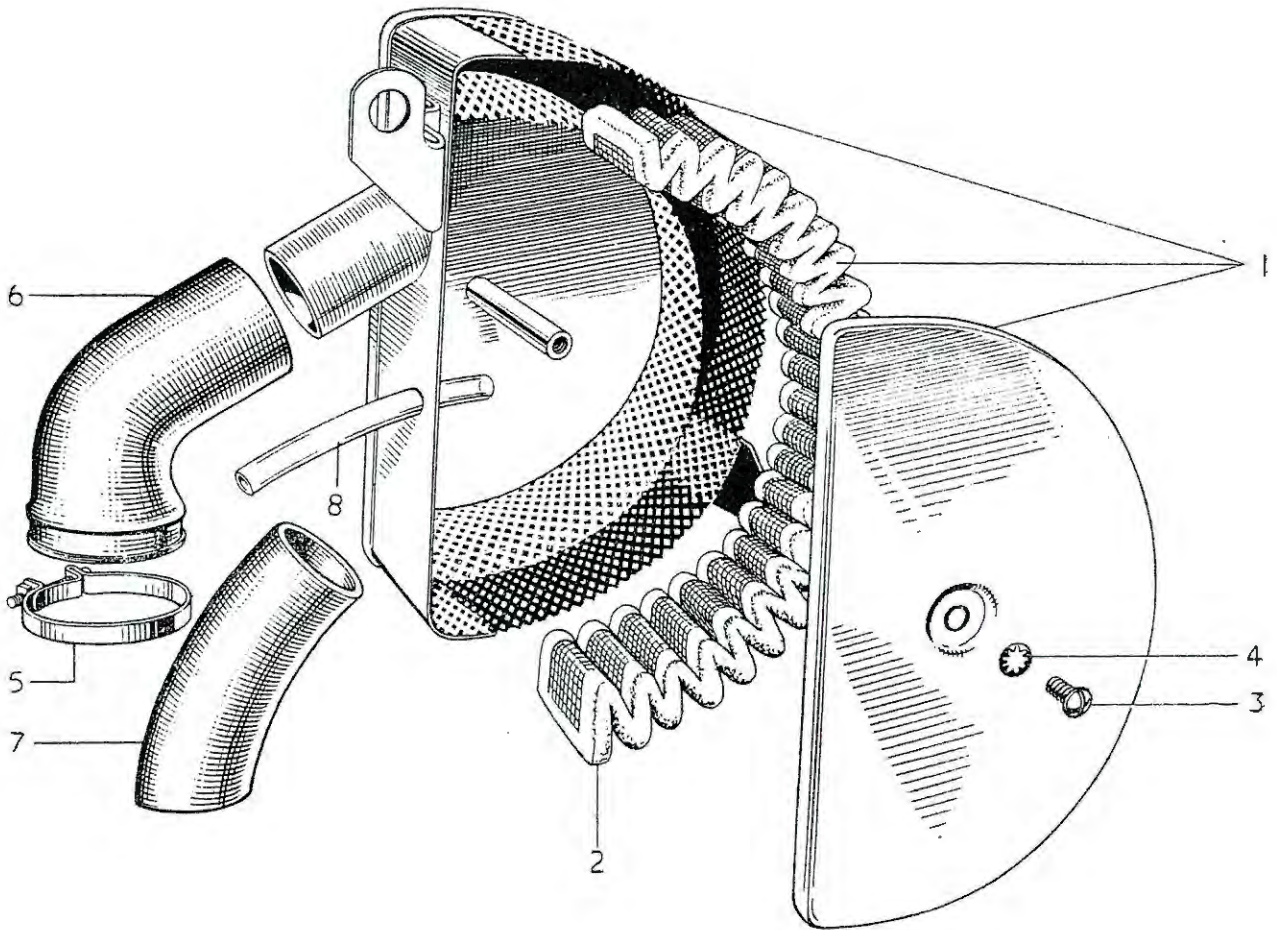
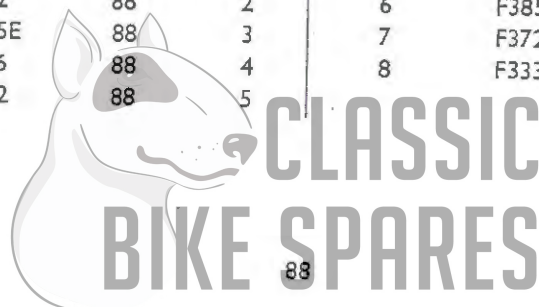


FIG. 28. AIR FILTER

## INDEX FIG. 28

Illust. No.	Part No.	Page No.	Ref. No.	Illust. No.	Part No.	Page No.	Ref. No.
1	F3857	88	1	5	F3859	88	9
	F3812	88	2	6	F3858	88	8
2	F3315E	88	3	7	F3729	88	7
3	F3376	88	4	8	F3339	94	2
4	E2312	88	5				



**AIR FILTER — GROUP 28**  
**LEGSHIELD — GROUP 29**  
**SIDECAR FITTINGS — GROUP 30**

REF. No.	PART No.	DESCRIPTION	5T	6T	TR5	T100	T110	TR6
----------	----------	-------------	----	----	-----	------	------	-----

**AIR FILTER—GROUP 28**

1	F3857	Air filter assembly ... ..	1	—	1	1	1	1
2	F3812	Air filter assembly ... ..	—	1	—	—	—	—
3	F3315E	Element only ... ..	1	1	1	1	1	1
4	F3376	Screw, cover $\frac{3}{8}$ " U/H ... ..	1	1	1	1	1	1
5	E2312	Washer, cover screw ... ..	1	1	1	1	1	1
6	F3728	Sleeve, mild steel ... ..	—	1	—	—	—	—
7	F3729	Connection, rubber ... ..	—	1	—	—	—	—
8	F3858	Connection, rubber ... ..	1	—	1	1	1	1
9	F3859	Clip, at carburetter ... ..	1	—	1	1	1	1

**LEGSHIELD—GROUP 29**

10	F3208	Legshield L.H. ... ..	1	1	—	1	1	—
11	F3894	Legshield R.H. ... ..	1	1	—	1	1	—
12	F3326	Stay, legshield ... ..	2	2	—	2	2	—
13	E1598	Clip, front down tube ... ..	1	1	—	1	1	—
14	F1031	Bolt, stay to clip $\frac{3}{8}$ " U/H ... ..	1	1	—	1	1	—
15	PO172A	Nut, stay to clip bolt ... ..	1	1	—	1	1	—
16	S25-2	Washer, stay to clip bolt ... ..	1	1	—	1	1	—
17	DS57	Bolt, stay to legshield $\frac{7}{8}$ " U/H ... ..	4	4	—	4	4	—
18	F879	Nut, stay to legshield bolt ... ..	4	4	—	4	4	—
19	S26-2	Washer, stay to legshield bolt ... ..	4	4	—	4	4	—

**SIDECAR FITTINGS—GROUP 30**

20	F2587	Lug, lower front connection ... ..	1	1	1	1	1	1
21	F1746	Sleeve nut, lug to frame ... ..	2	2	2	2	2	2
22	F2600	Bolt, lower front lug ... ..	1	1	1	1	1	1
23	F1747	Nut, lower front lug bolt ... ..	1	1	1	1	1	1

**N.B.** Fittings for the front down tube, seat tube top lug and seat tube bottom lug are provided by the sidocar manufacturer.

## PROPRIETARY GROUP

### PROPRIETARY GROUP

Ancillary equipment which is fitted to our motor cycles is of the highest quality and is guaranteed by the manufacturers and not by ourselves. Any repairs or claims should be made to the actual maker who will always give owners every possible assistance. The following are the addresses of the various manufacturers:-

<b>CARBURETTERS</b> ... ..	Messrs. Amal Ltd., Holdford Road, Witton, Birmingham, 6.  The S.U. Carburetter Co., Ltd., Wood Lane, Erdington, Birmingham, 24.
<b>CHAINS</b> ... ..	Renold Chains Ltd., Wythenshawe, Manchester.
<b>ELECTRICAL EQUIPMENT</b> ...	Messrs. J. Lucas, Ltd., Gt. Hampton Street, Birmingham, 18.
<b>SPARKING PLUGS</b> ... ..	Champion Sparking Plug Co. Ltd., Feltham, Middlesex.  K.L.G. Sparking Plugs Ltd., Cricklewood Works, London, N.W.2.  Lodge Plugs Ltd., Rugby, Warwickshire.
<b>SPEEDOMETERS</b> ... ..	Messrs. Smiths Motor Accessories Ltd., Cricklewood Works, London, N.W.2.
<b>SUSPENSION UNITS</b> ... ..	Messrs. Girling Ltd., Kings Road, Tyseley, Birmingham, 11.
<b>GUARANTEE CLAIMS ONLY</b> ...	Triumph Engineering Co. Ltd., Meriden Works, Allesley, Coventry.
<b>TYRES</b> ... ..	Dunlop Rubber Co. Ltd., Fort Dunlop, Birmingham, 24.







# GROUP 31 – AMAL CARBURETTER

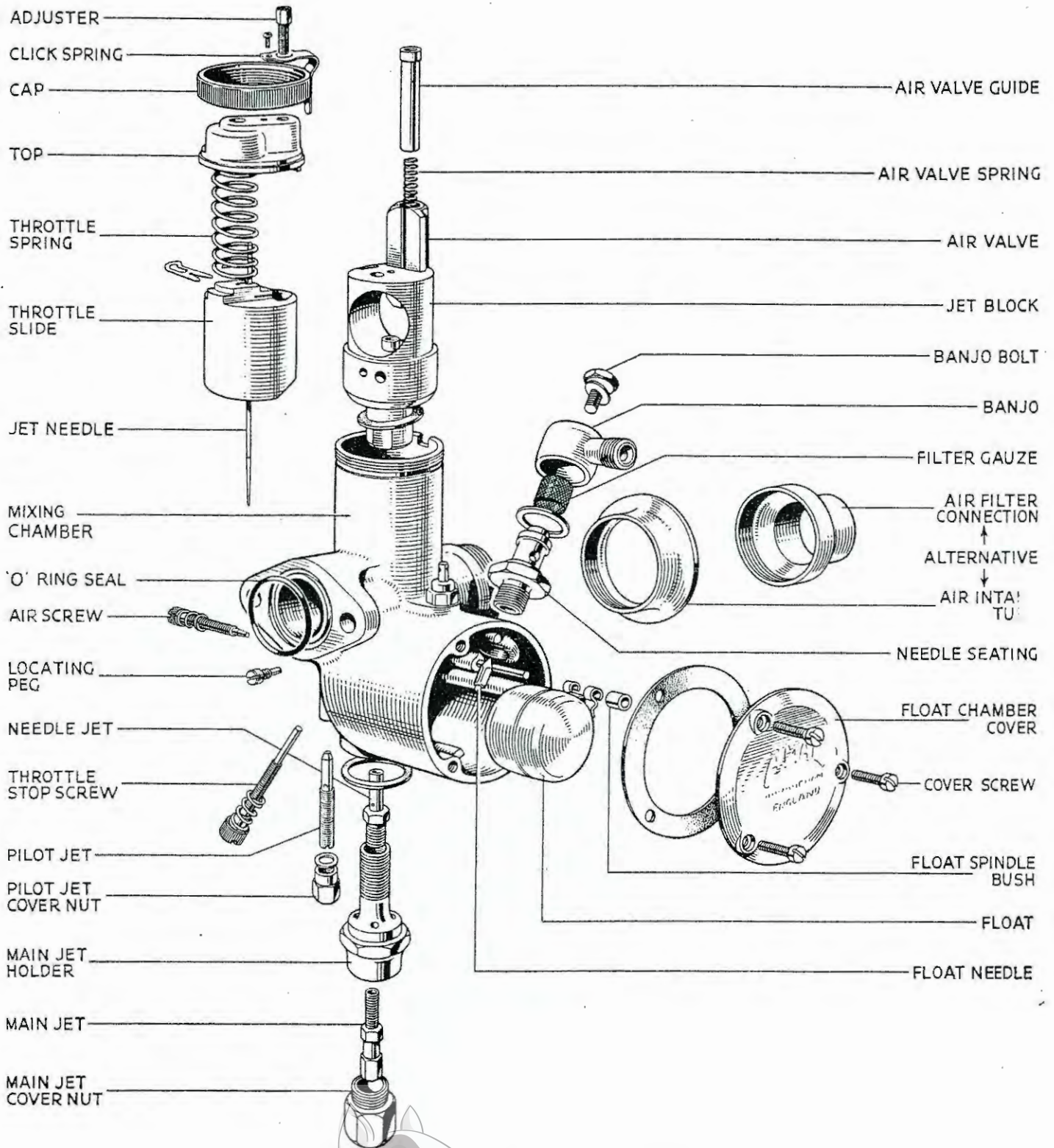


FIG. 29. AMAL CARBURETTER

## AMAL CARBURETTER — GROUP 31

REF. No.	PART No.	DESCRIPTION	5T	6T	TR5	T100	T110	TR6
1	376/086	Tickler ... ..						
2	343/011	Body, tickler ... ..						
3	376/087	Spring, tickler ... ..						
4	376/090	Connection, banjo ... ..		—	—	—	—	—
5	376/108	Connection, banjo ... ..	—					
6	14/175	Washer, banjo ... ..						
7	376/093	Gauze, filter ... ..						
8	376/091	Bolt, banjo ... ..						
9	376/092	Washer, banjo bolt ... ..						
10	NA43A	Washer, insulating block to manifold ...	—	—				
11	E2968	Block, insulating ... ..	—	—				
12	244/765	“O” ring seal, carburetter to manifold ...						
13	376/066	Tube, air intake ... ..	A	A	A	A	A	A

(for use when air filter is disconnected)

**N.B.** When air filter is disconnected, fit a main jet size 20 larger :— e.g., T110 main jet was 250, fit 270.

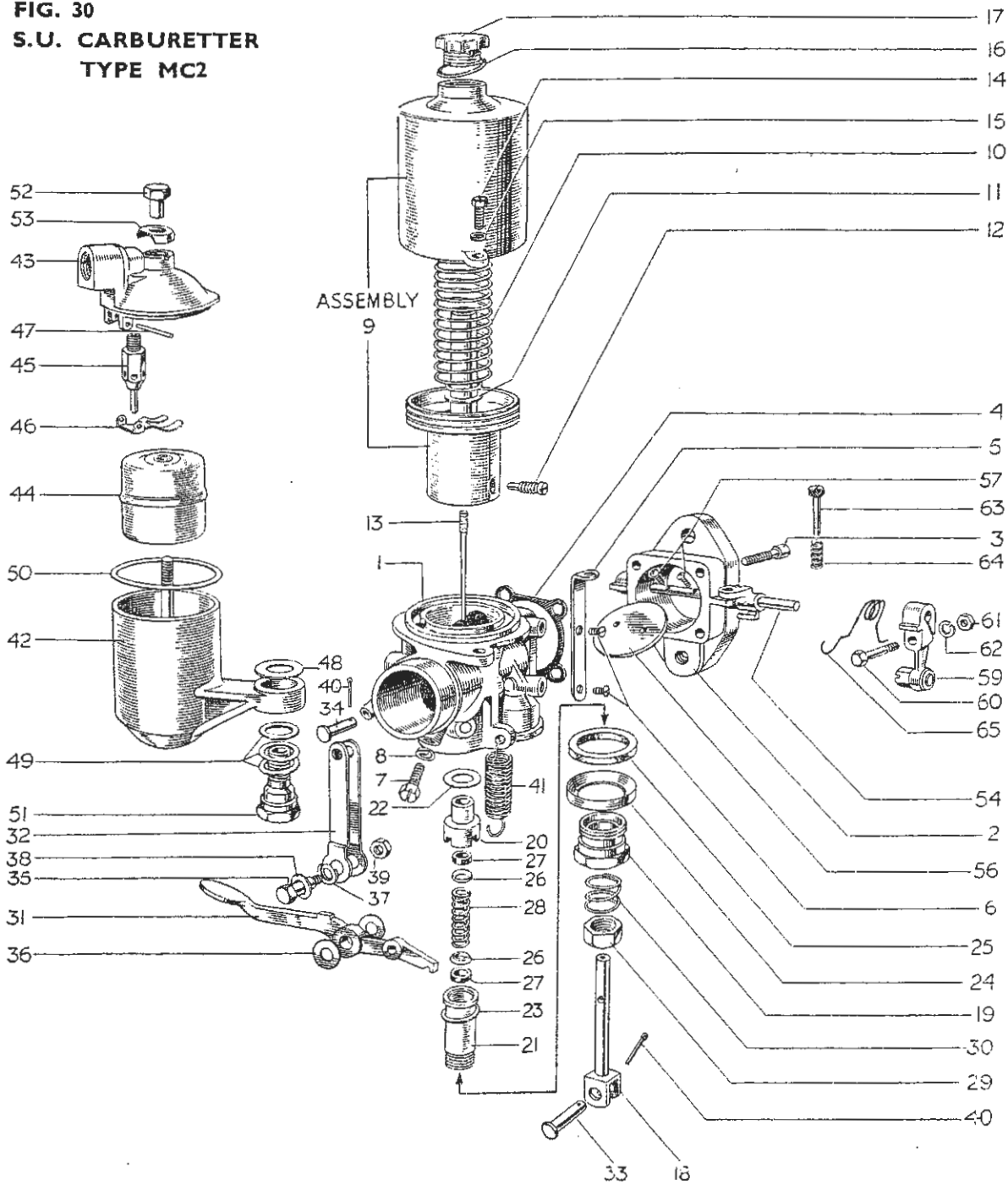
For sustained high speed, check sparking plug condition (first make sure plug grade is correct) as detailed in Amal leaflet No. 502, and increase jet size further if necessary.





# S.U. CARBURETTER – GROUP 32

**FIG. 30**  
**S.U. CARBURETTER**  
**TYPE MC2**



REF. No.	PART No.	DESCRIPTION	5T	6T	TR5	T100	T110	TR6
----------	----------	-------------	----	----	-----	------	------	-----

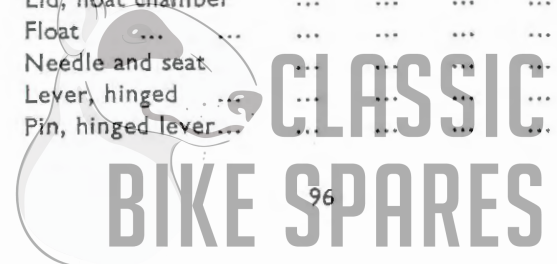
## CARBURETTER BODY

1	AUC7023	Body, carburetter c/w guide pin and plug	—	1	—	—	—	—
2	AUC4923	Adaptor, throttle barrel	—	1	—	—	—	—
3	4805	Screw, adaptor to body	—	4	—	—	—	—
4	4804	Joint, adaptor to body	—	1	—	—	—	—
5	AUC1011	Abutment bracket, throttle cable	—	1	—	—	—	—
6	5073	Screw, bracket to carburetter	—	2	—	—	—	—
7	4857	Screw, 2BA Plug	—	1	—	—	—	—
8	1863	Washer, 2BA Plug screw	—	1	—	—	—	—



# GROUP 32 — S.U. CARBURETTER

REF. No.	PART No.	DESCRIPTION	5T	6T	TR5	T100	T110	TR6
<b>SUCTION CHAMBER</b>								
1	AUC8006	Chamber, suction complete ... ..	—	1	—	—	—	—
2	4387	Spring, piston ... ..	—	1	—	—	—	—
3	3071	Washer, thrust ... ..	—	1	—	—	—	—
4	149	Screw, needle ... ..	—	1	—	—	—	—
5	M9	Needle, jet ... ..	—	1	—	—	—	—
6	4857	Screw, chamber securing ... ..	—	2	—	—	—	—
7	1863	Washer, spring ... ..	—	2	—	—	—	—
8	4900	Washer, oil cap ... ..	—	1	—	—	—	—
9	4920	Oil cap, octagonal ... ..	—	1	—	—	—	—
<b>JET ASSEMBLY</b>								
10	112/4931	Jet ... ..	—	1	—	—	—	—
11	3232	Screw, jet ... ..	—	1	—	—	—	—
12	3230	Bearing, jet top half ... ..	—	1	—	—	—	—
13	3231	Bearing, jet bottom half ... ..	—	1	—	—	—	—
14	122	Washer, top half (copper) ... ..	—	1	—	—	—	—
15	3233	Washer, bottom half (copper) ... ..	—	1	—	—	—	—
16	117	Ring, sealing (brass) ... ..	—	1	—	—	—	—
17	118	Ring, sealing (cork) ... ..	—	1	—	—	—	—
18	119/1	Washer, gland (brass) ... ..	—	2	—	—	—	—
19	120	Washer, gland (cork) ... ..	—	2	—	—	—	—
20	1158	Spring gland ... ..	—	1	—	—	—	—
21	121	Nut, adjusting ... ..	—	1	—	—	—	—
22	114	Spring ... ..	—	1	—	—	—	—
<b>JET LEVER AND LINKAGE</b>								
23	4882	Lever, jet ... ..	—	1	—	—	—	—
24	4883	Link, jet ... ..	—	1	—	—	—	—
25	108	Pivot pin, long ... ..	—	1	—	—	—	—
26	381	Pivot pin, short ... ..	—	1	—	—	—	—
27	4884/1	Bolt ... ..	—	1	—	—	—	—
28	4885	Washer, fibre ... ..	—	2	—	—	—	—
29	4875/2	Washer, double coil spring ... ..	—	1	—	—	—	—
30	5023	Washer, plain ... ..	—	1	—	—	—	—
31	156	Nut, 2BA ... ..	—	1	—	—	—	—
32	109	Split pin ... ..	—	2	—	—	—	—
33	4872/1	Spring, return ... ..	—	1	—	—	—	—
<b>FLOAT CHAMBER</b>								
34	1216	Chamber, float ... ..	—	1	—	—	—	—
35	4517	Lid, float chamber ... ..	—	1	—	—	—	—
36	1223	Float ... ..	—	1	—	—	—	—
37	1121/1859	Needle and seat ... ..	—	1	—	—	—	—
38	1981	Lever, hinged ... ..	—	1	—	—	—	—
39	1251	Pin, hinged lever ... ..	—	1	—	—	—	—



**S.U. CARBURETTER — GROUP 32**  
**CHAIN — GROUP 33**

REF. No.	PART No.	DESCRIPTION	5T	6T	TR5	T100	T110	TR6
1	130	Washer, fibre ... ..	—	1	—	—	—	—
2	5026/7	Washer, set—2 fibre, 1 brass ... ..	—	1	—	—	—	—
3	1412	Washer, float chamber lid ... ..	—	1	—	—	—	—
4	1541/3	Bolt, holding ... ..	—	1	—	—	—	—
5	1163	Nut, float lid ... ..	—	1	—	—	—	—
6	1606	Cap, brass ... ..	—	1	—	—	—	—

**THROTTLE**

7	4901/4807	Spindle, throttle ... ..	—	1	—	—	—	—
8	169	Disc, throttle ... ..	—	1	—	—	—	—
9	1358	Screw, throttle disc ... ..	—	2	—	—	—	—
10	106	Pin, taper ... ..	—	1	—	—	—	—
11	1500/6	Lever, throttle ... ..	—	1	—	—	—	—
12	694	Bolt ... ..	—	1	—	—	—	—
13	156	Nut ... ..	—	1	—	—	—	—
14	246	Washer, spring ... ..	—	1	—	—	—	—
15	3464	Screw, adjusting ... ..	—	1	—	—	—	—
16	3465	Spring, adjusting screw lock ... ..	—	1	—	—	—	—
17	5070	Spring, return ... ..	—	1	—	—	—	—

**CHAIN—GROUP 33**

18	D301	Chain, primary 70L × $\frac{1}{8}$ " × .305" (solo) ...	1	1	1	1	1	1
19	D304	Chain, rear 100L × $\frac{5}{8}$ " × $\frac{3}{8}$ " ... ..	1	—	1	1	—	—
20	D310	Chain, rear 101L × $\frac{5}{8}$ " × $\frac{3}{8}$ " ... ..	—	1	—	—	1	1
21	110-046/49	Kit, primary chain spare parts ... ..	1	1	1	1	1	1
22	110-056/59	Kit, rear chain spare parts ... ..	1	1	1	1	1	1

When replacing primary chain use 68 links for 500c.c. sidecar machines.





## LUCAS LIGHTING AND IGNITION EQUIPMENT — GROUP 34 (DYNAMO AND MAGNETO)

REF. No.	PART No.	DESCRIPTION	5T	6T	TR5	T100	T110	TR6
----------	----------	-------------	----	----	-----	------	------	-----

### HEADLAMP (NACELLE TYPE MCF700P)

1	51860A	Headlamp assembly ... ..	—	—	—	1	1	—
2	553248	Rim, front ... ..	—	—	—	1	1	—
3	534296	Screw and plate, front rim fixing ... ..	—	—	—	1	1	—
4	555309	Glass and reflector unit ... ..	—	—	—	1	1	—
5	553267	Ring, lamp fixing... ..	—	—	—	1	1	—
6	554602	Adaptor, bulb ... ..	—	—	—	1	1	—
7	504665	Fixing wire, light unit ... ..	—	—	—	6	6	—
8	373	Bulb, pre-focused 30/24W. ... ..	—	—	—	1	1	—
9	554710	Pilot bulbholder ... ..	—	—	—	1	1	—
10	988	Bulb, pilot 3W ... ..	—	—	—	1	1	—
11	H689	Screw, lamp fixing ring $\frac{1}{4}$ " U/H ... ..	—	—	—	2	2	—
12	H690	Nut, lamp fixing ring screw ... ..	—	—	—	2	2	—

### HEADLAMP (TROPHY)

13	51892A	Headlamp assembly ... ..	—	—	1	—	—	1
14	553248	Rim, front ... ..	—	—	1	—	—	1
15	534296	Screw and plate, front rim fixing ... ..	—	—	1	—	—	1
16	516798	Glass and reflector unit ... ..	—	—	1	—	—	1
17	554602	Adaptor, bulb ... ..	—	—	1	—	—	1
18	504665	Fixing wire, light unit ... ..	—	—	6	—	—	6
19	312	Bulb, pre-focused 30/24W ... ..	—	—	1	—	—	1
20	554710	Pilot bulbholder ... ..	—	—	1	—	—	1
21	988	Bulb, pilot 3W ... ..	—	—	1	—	—	1
22	859260/809795	Plug and Socket ... ..	—	—	1	—	—	1
23	36084	Ammeter ... ..	—	—	1	—	—	1
24	31315	Switch, light ... ..	—	—	1	—	—	1
25	308312	Panel, instrument ... ..	—	—	1	—	—	1
26	516183	Beading, instrument panel ... ..	—	—	1	—	—	1
27	186130	Screw, instrument panel ... ..	—	—	4	—	—	4
28	188818	Nipple, cable fixing ... ..	—	—	1	—	—	1

### HORN (TYPE HFI44I)

29	70048A	Horn, complete ... ..	—	—	1	1	1	1
30	701851	Bracket, horn ... ..	—	—	2	2	2	2
31	F3689	Bracket, horn (saddle stud fitting) ... ..	—	—	1	—	—	1
32	700920	Bracket, horn angle ... ..	—	—	—	1	1	—
33	142689	Screw, horn bracket ... ..	—	—	—	2	2	—
34	185051	Washer, horn bracket ... ..	—	—	—	2	2	—
35	DS57	Bolt, horn bracket to lug $\frac{7}{16}$ " U/H ... ..	—	—	—	2	2	—
36	S26-2	Washer, horn bracket to lug ... ..	—	—	—	2	2	—
37	H687	Screw, mounting bracket $\frac{1}{2}$ " U/H ... ..	—	—	2	—	—	2
38	GS299	Washer, bracket screw ... ..	—	—	2	—	—	2
39	H745	Nut, bracket screw ... ..	—	—	2	—	—	2



# GROUP 34 – LUCAS LIGHTING AND IGNITION EQUIPMENT (DYNAMO AND MAGNETO)

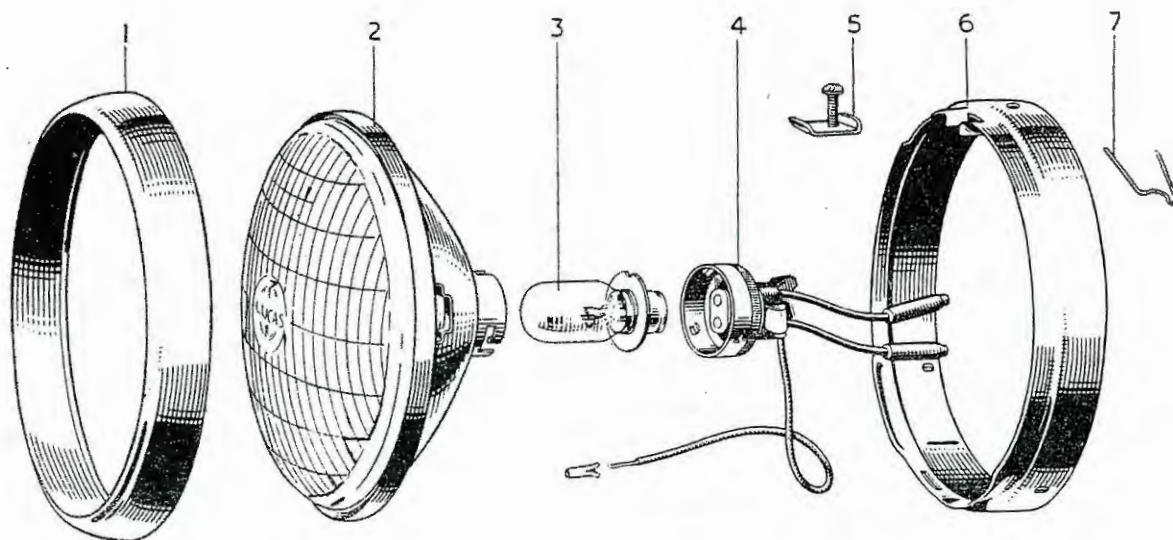


FIG. 31. HEAD LAMP

## INDEX FOR DYNAMO CONDITION

### INDEX FOR "D.C." CONDITION (T100, T110, TR5 & TR6)

Illust. No.	Part No.	Page No.	Ref. No.	Illust. No.	Part No.	Page No.	Ref. No.
1	553248	99	2	4	554602	99	6
2	555309	99	4	5	534296	99	3
	516798	99	16	6	553267	99	5
3	373	99	8	7	504665	99	7
	312	99	19				

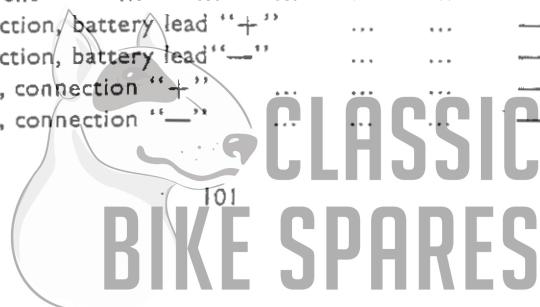
### INDEX FOR "AC" CONDITION (5T & 6T)

Illust. No.	Part No.	Page No.	Ref. No.	Illust. No.	Part No.	Page No.	Ref. No.
1	553248	105	15	5	534296	105	16
2	555309	105	17	6	553267	105	18
3	373	105	21	7	504665	105	20
4	554602	105	19				



# LUCAS LIGHTING AND IGNITION EQUIPMENT — GROUP 34 (DYNAMO AND MAGNETO)

REF. No.	PART No.	DESCRIPTION	5T	6T	TR5	T100	T110	TR6
<b>TAIL LAMP (STOP LIGHT PATTERN WITH INTEGRAL REFLECTORS) TYPE 564</b>								
1	53432A	Stop and tail lamp ... ..	—	—	1	1	1	1
2	573839	Lens ... ..	—	—	1	1	1	1
3	575200	Window ... ..	—	—	1	1	1	1
4	575208	Gasket, lens seating ... ..	—	—	1	1	1	1
5	552928	Screw, lens retaining ... ..	—	—	2	2	2	2
6	575212	Base assembly ... ..	—	—	1	1	1	1
7	575209	Bulbholder assembly ... ..	—	—	1	1	1	1
8	575207	Grommet, bulbholder ... ..	—	—	1	1	1	1
9	573828	Contact assembly ... ..	—	—	1	1	1	1
10	573825	Grommet, cable ... ..	—	—	1	1	1	1
11	384	Bulb 6/18w offset pin ... ..	—	—	1	1	1	1
12	31383	Switch, stop lamp ... ..	—	—	1	1	1	1
13	H687	Screw, switch fixing $\frac{3}{4}$ " U/H ... ..	—	—	2	2	2	2
14	GS299	Washer, fixing screw ... ..	—	—	2	2	2	2
<b>WIRING HARNESS</b>								
15	836381	Wiring harness ... ..	—	—	—	1	1	—
16	831200	Wiring harness ... ..	—	—	1	—	—	1
17	838604	Lead, twin stop/tail lamp ... ..	—	—	1	1	1	1
<b>NACELLE INSTRUMENT PANEL</b>								
18	31371B	Switch, lighting ... ..	—	—	—	1	1	—
19	351567	Lever and screw, switch ... ..	—	—	—	1	1	—
20	36129A	Ammeter ... ..	—	—	—	1	1	—
21	31071B	Button, cut-out ... ..	—	—	—	1	1	—
<b>HANDLEBAR SWITCHES AND PUSHBUTTONS</b>								
22	31563A	Switch, dipper and horn push ... ..	—	—	1	1	1	1
23	863082	Cable (4 core), dipper and horn push ... ..	—	—	1	1	1	1
24	H689	Screw, switch to lever clamp $\frac{1}{2}$ " U/H ... ..	—	—	2	2	2	2
25	76200A	Button, cut out ... ..	—	—	1	—	—	1
<b>BATTERY (TYPE PU7E-9)</b>								
26	PU7E-9	Battery ... ..	—	—	1	1	1	1
27	4179504	Plug, vent ... ..	—	—	3	3	3	3
28	4189048	Connection, battery lead "+" ... ..	—	—	1	1	1	1
29	4189040	Connection, battery lead "-" ... ..	—	—	1	1	1	1
30	4188743	Socket, connection "+" ... ..	—	—	1	1	1	1
31	4188744	Socket, connection "-" ... ..	—	—	1	1	1	1





LUCAS LIGHTING AND IGNITION EQUIPMENT – GROUP 34  
(DYNAMO AND MAGNETO)

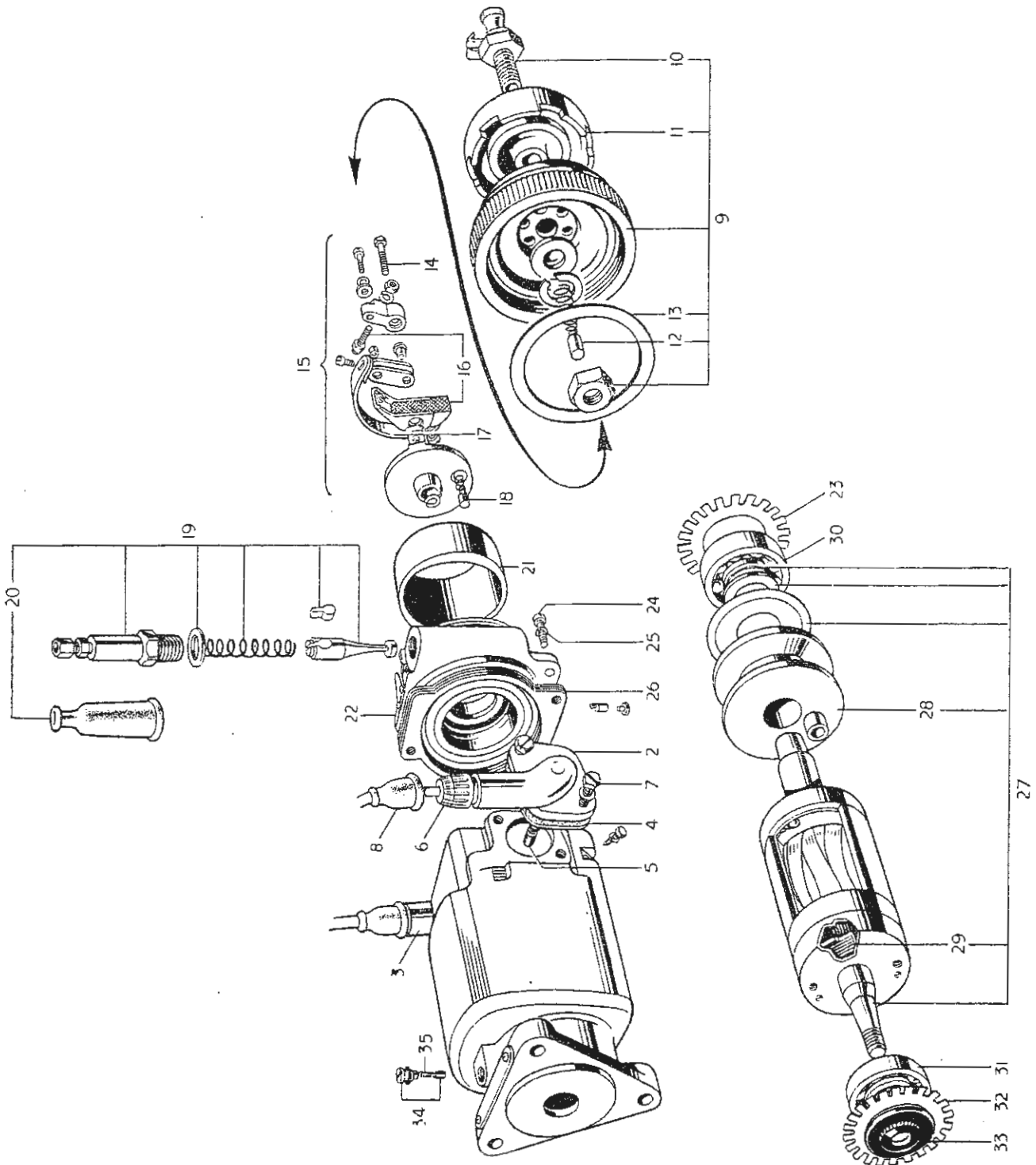


FIG. 32. LUCAS MAGNETO







# LUCAS LIGHTING AND IGNITION EQUIPMENT (ALTERNATOR) – GROUP 35

REF. No.	PART No.	DESCRIPTION	5T	6T	TR5	T100	T110	TR6
1	400001	Base only, distributor ... ..	1	1	—	—	—	—
2	400164	Base c/w contact points ... ..	1	1	—	—	—	—
3	421414	Shaft and action plate ... ..	1	—	—	—	—	—
4	421935	Shaft and action plate ... ..	—	1	—	—	—	—
5	420406	Bushing ... ..	1	1	—	—	—	—
6	400843	Sundry parts set ... ..	1	1	—	—	—	—
7	407131	Toggle ... ..	1	1	—	—	—	—
8	410591	Clip, cover retaining ... ..	1	1	—	—	—	—
9	E3122	Adaptor, distributor to crankcase ... ..	1	1	—	—	—	—
10	SI-51	Nut, distributor to crankcase ... ..	3	3	—	—	—	—
11	PCE102F	Bolt, distributor clamp ... ..	1	1	—	—	—	—
12	E2312	Washer, distributor clamp ... ..	1	1	—	—	—	—
13	E3303	Cover, distributor protective ... ..	1	1	—	—	—	—

## HEADLAMP (NACELLE TYPE MCF700P)

14	51860A	Headlamp assembly ... ..	1	1	—	—	—	—
15	553248	Rim, front ... ..	1	1	—	—	—	—
16	534296	Screw and plate, front rim fixing ... ..	1	1	—	—	—	—
17	555309	Glass and reflector unit ... ..	1	1	—	—	—	—
18	553267	Ring, lamp fixing... ..	1	1	—	—	—	—
19	554602	Adaptor, bulb ... ..	1	1	—	—	—	—
20	504665	Fixing wire, light unit ... ..	6	6	—	—	—	—
21	373	Bulb, pre-focused 30/24W. ... ..	1	1	—	—	—	—
22	554710	Pilot bulbholder ... ..	1	1	—	—	—	—
23	988	Bulb, pilot 3W. ... ..	1	1	—	—	—	—
24	H689	Screw, lamp fixing ring $\frac{1}{4}$ " U/H ... ..	2	2	—	—	—	—
25	H690	Nut, lamp fixing ring screw ... ..	2	2	—	—	—	—

## TAIL LAMP (STOP LIGHT PATTERN WITH INTEGRAL REFLECTORS) TYPE 564

26	53432A	Stop and tail lamp ... ..	1	1	—	—	—	—
27	573839	Lens ... ..	1	1	—	—	—	—
28	575200	Window ... ..	1	1	—	—	—	—
29	575208	Gasket, lens seating ... ..	1	1	—	—	—	—
30	552928	Screw, lens retaining ... ..	2	2	—	—	—	—
31	575212	Base assembly ... ..	1	1	—	—	—	—
32	575209	Bulbholder assembly ... ..	1	1	—	—	—	—
33	575207	Grommet, bulbholder ... ..	1	1	—	—	—	—
34	573828	Contact assembly ... ..	1	1	—	—	—	—
35	573825	Grommet, cable ... ..	1	1	—	—	—	—
36	384	Bulb 3/18W. offset pin ... ..	1	1	—	—	—	—
37	31383	Switch, stop lamp ... ..	1	1	—	—	—	—
38	H687	Screw, switch fixing $\frac{3}{8}$ " U/H ... ..	2	2	—	—	—	—
39	GS299	Washer, fixing screw ... ..	2	2	—	—	—	—

# GROUP 35 – LUCAS LIGHTING AND IGNITION EQUIPMENT (ALTERNATOR)

REF. No.	PART No.	DESCRIPTION	5T	6T	TR5	T100	T110	TR6
<b>WIRING HARNESS</b>								
1	838601	Harness, wiring ... ..	1	1	—	—	—	—
2	838604	Lead, twin stop/tail lamp ... ..	1	1	—	—	—	—
3	414965	Grommet, Distributor lead ... ..	1	1	—	—	—	—
4	236741	Grommet, L.T. Coil lead ... ..	2	2	—	—	—	—
5	458658	Grommet, Distributor plug leads ... ..	2	2	—	—	—	—
<b>NACELLE INSTRUMENT PANEL</b>								
6	31443B	Switch, lighting and ignition ... ..	1	1	—	—	—	—
7	318346	Knob, light switch ... ..	1	1	—	—	—	—
8	319333	Screw, knob fixing ... ..	1	1	—	—	—	—
9	318343	Plate, switch position index ... ..	1	1	—	—	—	—
10	318323	Grommet, switch for key ... ..	1	1	—	—	—	—
11	318341	Key, ignition ... ..	1	1	—	—	—	—
12	36189A	Ammeter ... ..	1	1	—	—	—	—
<b>HORN PUSH AND DIPPER SWITCH</b>								
13	31563A	Switch, dipper and horn push ... ..	1	1	—	—	—	—
14	H689	Screw, switch to lever clamp $\frac{1}{8}$ " U/H ... ..	2	2	—	—	—	—
15	863082	Cable (4 core), dipper and horn push ... ..	1	1	—	—	—	—
<b>HORN</b>								
16	70048A	Horn, complete ... ..	1	1	—	—	—	—
17	701851	Bracket, horn ... ..	2	2	—	—	—	—
18	700920	Bracket, horn angle ... ..	1	1	—	—	—	—
19	142689	Screw, horn bracket ... ..	2	2	—	—	—	—
20	185051	Washer, horn bracket ... ..	2	2	—	—	—	—
21	DS57	Bolt, horn bracket to lug $\frac{7}{16}$ " U/H ... ..	2	2	—	—	—	—
22	S26-2	Washer, horn bracket to lug ... ..	2	2	—	—	—	—
<b>BATTERY (TYPE PU7E-9)</b>								
23	PU7E-9	Battery ... ..	1	1	—	—	—	—
24	4179504	Plug, vent ... ..	3	3	—	—	—	—
25	4189048	Connection, battery lead "+" ... ..	1	1	—	—	—	—
26	4189040	Connection, battery lead "-" ... ..	1	1	—	—	—	—
27	4188743	Socket, connection "+" ... ..	1	1	—	—	—	—
28	4188744	Socket, connection "-" ... ..	1	1	—	—	—	—







**GROUP 38 — SPEEDOMETER**  
**GROUP 39 — SUSPENSION UNIT**

REF. No.	PART No.	DESCRIPTION	5T	6T	TR5	T100	T110	TR6
SPEEDOMETER DRIVE								
1	T924	Pinion, standard ratio layshaft 10T ... ..						
2	T973	Pinion, wide ratio layshaft 8T ... ..	A	A	A	A	A	A
3	T925	Peg, pinion to layshaft ... ..						
4	T934	Gear, standard ratio driven 16T ... ..						
5	T975	Gear, wide ratio driven 15T ... ..	A	A	A	A	A	A
6	T825	Washer, gear thrust ... ..						
7	D245A	Cable, speedometer drive (44" long) ... ..	—	—		—	—	
8	D245	Cable, speedometer drive (44" long) ... ..			—			—
9	F3098	Clip, speedometer cable ... ..						

**SUSPENSION UNIT (GIRLING)—GROUP 39**

10	SB4/277	Suspension unit ... ..	2	—	—	—	—	—
11	SB4/279	Suspension unit ... ..	—	2	—	2	2	—
12	SB4/259	Suspension unit ... ..	—	—	2	—	—	2
13	SB4/274	Suspension unit (sidecar) ... ..	A	—	—	—	—	—
14	SB4/275	Suspension unit (sidecar) ... ..	—	A	A	A	A	A
<i>To order damper unit only, omit the prefix S.</i>								
15	9054/316A	Bonded bush and sleeve ... ..	4	4	4	4	4	4
16	9054/171	Spring retainer ... ..	4	4	4	4	4	4
17	9054/151	Dirt shield, outer ... ..	2	2	2	2	2	2
18	9054/47	Dirt shield, inner ... ..	2	2	2	2	2	2
19	SA193/57	Spring, 150 lbs. (sidecar), blue/red ... ..	A	A	A	A	A	A
20	9054/63	Spring, 130 lbs. rate, red/yellow ... ..	A	A	A	A	A	A
21	9054/70	Spring, 110 lbs. rate, purple/blue ... ..	A	A	A	A	A	A
22	9054/280	Spring, 100 lbs. rate, green/green ... ..	2	2	2	2	2	2
23	9054/69	Spring, 90 lbs. rate (road racing) yellow/white ... ..	A	A	A	A	A	A
24	E2113	Bolt, unit fixing 1 <sup>5</sup> / <sub>16</sub> " U/H... ..	4	4	4	4	4	4
25	S25-2	Washer, lower bolt only ... ..	2	2	2	2	2	2
26	PO172A	Nut, unit fixing bolt ... ..	4	4	4	4	4	4
27	S26-1	Washer, fixing bolt nut ... ..	4	4	4	4	4	4



# HIGH PERFORMANCE PARTS – GROUP 40

REF. No.	PART No.	DESCRIPTION	REMARKS
----------	----------	-------------	---------

## ENGINE

1	CP135	Piston, complete, CR 8 : 1 ... ..	500 c.c. models
2	CP133	Piston, complete, CR 8.5 : 1 ... ..	" "
3	CP161	Piston, complete, CR 9 : 1 ... ..	" "
4	CP134	Piston, complete, CR 9.5 : 1 ... ..	" "
5	CP132	Piston, complete, CR 12 : 1 ... ..	" "
6	CP163	Piston, complete, CR 8 : 1 ... ..	650 c.c. models
7	CP159	Piston, complete, CR 8.5 : 1 ... ..	" "
8	CP160	Piston, complete, CR 12 : 1 ... ..	" "
9	E656	Ring, piston, compression ... ..	500 c.c. models
10	E3048	Ring, piston, compression (taper) ... ..	" "
11	GE29	Ring, piston scraper ... ..	" "
12	E2897	Ring, piston, compression ... ..	650 c.c. models
13	E3049	Ring, piston, compression (taper) ... ..	" "
14	E2898	Ring, piston, scraper ... ..	" "

## CYLINDER BLOCKS

15	E3046	Block, cylinder (for alcohol up to En No. 70930)	500 c.c. models
16	E3649	Block, cylinder (for alcohol from En No. 70930)	" "

## CAMSHAFTS AND VALVE GEAR

17	E1486R	Wheel, inlet and exhaust camshaft ... ..	3 Keyway
18	E3134	Camshaft, inlet and exhaust ... ..	} Must be used together
19	E3059R	Tappet ... ..	
20	E3411	Gear, magneto ... ..	Steel
21	E3001	Valve spring, inner ... ..	} Interference fit
22	E3002	Valve spring, outer ... ..	
23	E3827	Valve guide, inlet ... ..	Bronze
24	E3828	Valve guide, exhaust ... ..	Bronze

## CYLINDER HEAD (SPLAYED PORT)

25	E3663	Head cylinder c/w guides ... ..	500 c.c. models
26	E3766	Valve, inlet ... ..	" "
27	E1956	Valve, exhaust ... ..	" "
28	E3844	Adaptor, carburetter ... ..	" "
29	E3847	Locknut, adaptor ... ..	" "
30	E2961	Adaptor, exhaust pipe ... ..	" "
31	E3938	Head cylinder c/w guides ... ..	650 c.c. models
32	E3310	Valve, inlet ... ..	" "
33	E3927	Valve, exhaust ... ..	" "
34	E3940	Adaptor, carburetter ... ..	" "
35	E3847	Locknut, adaptor ... ..	" "
36	E2961	Adaptor, exhaust pipe ... ..	" "

# GROUP 40 — HIGH PERFORMANCE PARTS

REF. No.	PART No.	DESCRIPTION	REMARKS
1	E3646	Tube, push rod cover ... ..	For both models
2	E3550	Box, inlet rocker ... ..	" "
3	E3551	Box, exhaust rocker ... ..	" "
4	E3552	Gasket, rocker box joint ... ..	" "
5	E2982	Bolt, rocker box to head, 2 $\frac{1}{32}$ " U/H ... ..	" "

## TACHOMETER DRIVE (WITH GENERATOR) KIT No. CP162

6	E3677	Cover, timing gears ... ..	
7	E3678	Grub screw ... ..	2 off
8	E3679	Housing, driving gear ... ..	
9	E3682	Housing, driven gear ... ..	
10	E3685	Nut, camshaft, L.H. ... ..	
11	E3686	Gear, driving ... ..	
12	E2749	Gear, driven ... ..	
13	52091/5	Cable, tachometer drive ... ..	
14	RC109	Head, tachometer ... ..	
15	HI083	Bracket, tachometer and speedometer ... ..	
16	HI086	Bolt, tachometer bracket ... ..	

## TACHOMETER DRIVE (WITHOUT GENERATOR)

17	E3022	Gearbox, tachometer drive ... ..	
18	E3050	"O" ring, seal ... ..	
19	E3010	Washer, gearbox joint ... ..	
20	E2994	Pinion, gearbox drive ... ..	
21	GS297	Nut, drive pinion ... ..	
22	E2995	Bolt ... ..	
23	H430	Washer, fibre ... ..	
24	E2996	Screw ... ..	
25	E2997	Nut ... ..	
26	E1612	Washer ... ..	
27	52091/5	Cable, tachometer drive ... ..	
28	RC126	Head, tachometer ... ..	

## GEARBOX

29	T1549	Housing, clutch ... ..	With strengthening band
30	T427S	Nut, clutch spring ... ..	Steel
31	T741	Spring, clutch pressure ... ..	Extra-strong

## CLOSE RATIO GEARS. KIT No. CP95

32	T1177	Mainshaft c/w low gear, 18T ... ..	
33	T1383	Gear, mainshaft high, 24T ... ..	
34	T955	Gear, mainshaft 2nd, 21T ... ..	
35	T1179	Gear, mainshaft 3rd, 23T ... ..	
36	T959	Layshaft c/w high gear, 22T ... ..	
37	T961	Gear, layshaft low, 28T ... ..	

# HIGH PERFORMANCE PARTS – GROUP 40

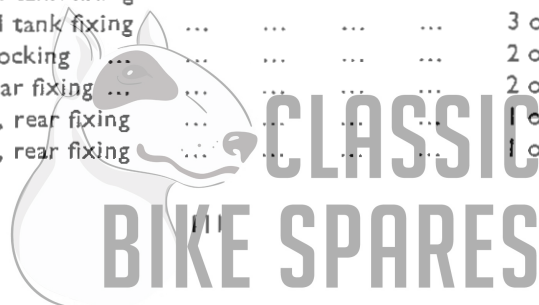
REF. No.	PART No.	DESCRIPTION	REMARKS
1	T963	Gear, layshaft 2nd, 25T ... ..	
2	T964	Gear, layshaft 3rd, 23T ... ..	
3	T983	Plug, speedo drive housing ... ..	} Alternative
4	T948	Washer, rubber ... ..	
5	T1227	Cap, speedo drive blanking ... ..	Alternative
<p>To use speedometer with close ratio gears, fit standard drive gears and S467/131 head 1,425 r.p. mile, obtainable from Messrs. Smiths.</p>			
6	T1228	Pedal, gear change ... ..	
7	T1229/30	Kickstarter, folding ... ..	

## FOOTRESTS

8	F3699	Support plate, L.H. (silencer) ... ..	} Alternative
9	F3700	Support plate, R.H. (silencer) ... ..	
10	F4345	Support plate, L.H. (megaphone) ... ..	} Alternative
11	F4346	Support plate, R.H. (megaphone) ... ..	
12	F3703	Peg, support plates ... ..	2 off
13	F3702	Adaptor, support plates ... ..	2 off
14	F3450	Footrest, L.H. ... ..	
15	F3705 CTE	Footrest, R.H., folding ... ..	
16	F3701	Stud, footrest to plate ... ..	2 off
17	H193	Nut ... ..	4 off
18	F1695	Rubber, footrest ... ..	2 off
19	F3166	Rod ... ..	Replaces footrest hanger
20	F3707	Pedal, rear brake ... ..	

## OIL TANK (1 GALLON)

21	F4329	Oil tank ... ..	
22	F3796	Filler cap "captive" ... ..	
23	F4335	Pipe, vent ... ..	Long
24	F4330	Stud, seat lug to backstays ... ..	
25	F4331	Nut, R.H. only ... ..	
26	F4106	Bracket, bottom, fixing ... ..	
27	F3814	Cup, top and bottom fixing ... ..	4 off
28	F4108	Rubber, top and bottom fixing ... ..	2 off
29	F967	Rubber, top and bottom fixing ... ..	2 off
30	F3816	Bolt, oil tank fixing ... ..	2 off
31	F3955	Nut, oil tank fixing ... ..	3 off
32	F2417	Wire, locking ... ..	2 off
33	F4110	Cup, rear fixing ... ..	2 off
34	F4109	Rubber, rear fixing ... ..	1 off
35	F4107	Rubber, rear fixing ... ..	1 off







# HIGH PERFORMANCE PARTS — GROUP 40

REF. No.	PART No.	DESCRIPTION	REMARKS
<b>Monobloc Carburetters (splayed port models)</b>			
1	376/77	Carburetter, 1" bore ... ..	500 c.c. models
2	376/40	Carburetter, 1 $\frac{1}{8}$ " bore ... ..	650 c.c. models
<b>G.P. Carburetter (splayed port models)</b>			
3	E3671	Adaptor, cylinder head ... ..	2
4	E3786	Connection, rubber ... ..	2
5	1 $\frac{1}{4}$ "-1 $\frac{3}{8}$ "	Jubilee clip ... ..	4
6	E3675	Adaptor, carburetter ... ..	2
7	F2603	Bolt, carburetter ... ..	4
8	S25-3	Washer, plain ... ..	4
9	S26-3	Washer, spring ... ..	4
10	T224	Nut, carburetter ... ..	4
11	15 GP	Carburetter, 1" bore ... ..	2
12	302/11	Float chamber (remote) ... ..	1
13	F4342	Bracket, carburetter and float chamber support	1
14	F4344	Connection, petrol pipe ... ..	1
15	E3203	Grommet, float chamber bracket ... ..	
16	F4341	Stud, float chamber bracket ... ..	
17	F879	Nut ... ..	2
18	S25-1	Washer ... ..	2
19	F3840	Cap, float chamber bracket ... ..	2
20	E2593	Bolt ... ..	1
21	S1051	Nut ... ..	1
22	S26-3	Washer ... ..	1
<b>Throttle Cables</b>			
23	D216	Throttle cable assembly ... ..	1 Type 6 or Monobloc
24	D218	Cable, handlebar to junction ... ..	1 16" long
25	D219	Cable junction to carburetter ... ..	2 Midway adjuster
26	244/104	Junction box, dual cable ... ..	1
27	D379	Throttle cable assembly ... ..	1 G.P.
28	D380	Cable, handlebar to junction ... ..	1 20" long
29	D381	Cable, junction to carburetter ... ..	2 No adjuster
With wide handlebars use 1 D380, 1 244/104 and 2 D219.			

## HANDLEBARS

30	H1082	Handlebar, racing, dropped ... ..	$\frac{7}{8}$ " diam.
31	18/557	Lever assembly, front brake ... ..	
32	18/556	Lever assembly, clutch ... ..	
33	12/161	Lever assembly, ignition ... ..	
34	16/117	Twistgrip ... ..	
35	16/069	Grip, handlebar ... ..	

## SUSPENSION UNITS

36	SB4/259	Suspension unit (3 $\frac{1}{2}$ " stroke) ... ..	Standard on Trophy
----	---------	---	--------------------

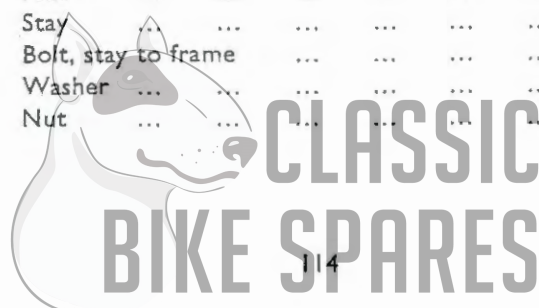


# GROUP 40 — HIGH PERFORMANCE PARTS

REF. No.	PART No.	DESCRIPTION	REMARKS
<b>EXHAUST PIPES &amp; MEGAPHONES</b>			
1	E3628	Pipe, exhaust, L.H., 1½"	} T110 Standard 1958, also TR6
2	E3632	Pipe, exhaust, R.H., 1½"	
3	E3817	Silencer, L.H. (straight through)	
4	E3816	Silencer, R.H. (straight through)	} T100 Standard 1958, also TR5, with silencers E3817 and E3816
5	E3629	Pipe, exhaust, L.H., 1½"	
6	E3633	Pipe, exhaust, R.H., 1½"	
7	E3630	Pipe, exhaust, L.H., 1½"	
8	E3634	Pipe, exhaust, R.H., 1½"	} T100, TR5 or splayed port T110 or TR6
9	E2734	Megaphone, L.H.	
10	E2735	Megaphone, R.H.	
11	E3479 L.H.	Megaphone, L.H. (reverse cone)	} T100, TR5 or splayed port T110 or TR6
12	E3479 R.H.	Megaphone, R.H. (reverse cone)	
13	E3778	Pipe, exhaust, L.H., 1 5/16"	
14	E3780	Pipe, exhaust, R.H., 1 5/16"	} T100, TR5 or splayed port T110 or TR6
15	E3782	Megaphone, L.H.	
16	E3783	Megaphone, R.H.	
17	E3023	Extension, L.H., 1½"	
18	E3024	Extension, R.H., 1½"	
19	E3103	Extension, L.H., 1 3/4"	
20	E3104	Extension, R.H., 1 3/4"	

## MUDGUARDS

21	H1184	Mudguard, front ...	
22	H1181	Bridge, blade to fork ...	
23	H978	Stay, bottom ...	
24	H533	Strip, backing ...	4
25	DS57	Bolt ...	8
26	E1612	Washer ...	8
27	F879	Nut ...	8
28	F1031	Bolt, bridge, L.H. ...	1
29	H622	Bolt, bridge, R.H. ...	1
30	F2335	Bolt, stay ...	2
31	S26-3	Washer ...	2
32	F4348	Mudguard, rear ...	
33	F4340	Bridge, mudguard ...	
34	DS57	Bolt ...	2
35	S26-2	Washer ...	2
36	F879	Nut ...	2
37	F3880	Stay ...	
38	DS55	Bolt, stay to frame ...	2
39	S26-3	Washer ...	2
40	SI-51	Nut ...	2





# GUARANTEE

**W**E give the following guarantee with our motorcycles, motorcycle combinations and sidecars, including all accessories and component parts other than tyres, saddles, chains and lighting and electrical equipment, and other than accessories and component parts supplied to the order of the Purchaser and differing from those comprised in the standard specifications supplied with our motorcycles, motorcycle combinations and sidecars, but including accessories and parts supplied by way of exchange as hereinafter provided. This guarantee is given in place of any implied conditions or warranties or any liabilities whatsoever statutory or otherwise; no guarantee except that hereinafter contained and no conditions or warranty whatsoever statutory or otherwise is given or is to be implied, nor are we to be under any liability whatsoever except under the guarantee hereinafter contained. Any statement, description, condition or representation contained in any catalogue, advertisement, leaflet or other publication shall not be construed as enlarging, varying or overriding anything herein contained. In the case of machines (a) which have been used for "hiring out" purposes or (b) any motorcycle and/or sidecar used for any dirt track, cinder track or grass track racing or competitions (or any competition of any kind within an enclosure for which a charge is made for admission to take part in or view the competition) or (c) machines from which the trade mark, name or manufacturing number has been altered or removed or (d) any machines in which parts have been used not supplied by or approved by the motorcycle manufacturer or (e) any machine from which the silencing system as fitted by the manufacturer has been partially or wholly removed or interfered with, no guarantee, condition or warranty of any kind statutory or otherwise, is given or is to be implied, nor are we to be under any liability whatsoever in respect of any such machine. We guarantee, subject to the conditions mentioned below, that all precautions which are usual and reasonable have been taken by us to secure excellence of materials and workmanship but this guarantee is to extend and be in force for six months only in U.K. and ninety days overseas from date of purchase, or date of exchange in case of any accessory or part supplied by way of exchange as hereinafter provided, and damages for which we make ourselves responsible under this guarantee are limited to the free repair of or supply of a new part or accessory in exchange for the part of the motorcycle, motorcycle combination or sidecar or accessory which may have proved defective. We undertake, subject to the conditions mentioned below, to make good in manner aforesaid any part or accessory covered by this guarantee which has proved defective within the said period. We do not undertake to replace or refix or bear the cost of replacing or refixing any such new part or accessory in the motorcycle, motorcycle combination or sidecar. As motorcycles, motorcycle combinations and sidecars are easily liable to derangement by neglect or misuse, this guarantee does not apply to defects caused by wear and tear, misuse or neglect. The term "misuse" shall include, amongst others, the following acts: 1. The attaching of a sidecar to a motorcycle in such a manner as to cause damage or calculated to render the latter unsafe when ridden. 2. The use of a motorcycle or of a motorcycle and sidecar combined, when carrying more persons or a greater weight than that for which the machine was designed by the manufacturers. 3. The attaching of a sidecar to a motorcycle by any form of attachment not provided, supplied or approved by the manufacturers, or to a motorcycle which is not designed for such use. We do not guarantee tyres, saddles, chains or lighting and electrical equipment, or any accessories or component parts supplied to the order of the Purchaser differing from those comprised in the standard specifications supplied with our motorcycle combinations or sidecars. As regards all such tyres, saddles, chains, lighting and electrical equipment, accessories and component parts, no guarantee, condition or warranty of any kind statutory or otherwise is given or is to be implied, and we are to be under no liability whatsoever in respect thereof.





## CONDITIONS OF GUARANTEE

If a defective part or accessory should be found in our motorcycles, motorcycle combinations or sidecars, or in any part or accessory supplied by way of exchange as before provided, it must be sent to us CARRIAGE PAID and accompanied by an intimation from the owner that he desires to have it repaired or exchanged free of charge under our guarantee, and he must also furnish us at the same time with the frame number of the machine, the date of purchase or the date when the alleged defective part or accessory was exchanged as the case may be. Failing compliance with the above, such articles will lie here at THE RISK OF THE OWNER, and this guarantee and any implied guarantee, warranty or condition shall not be enforceable.

## REPAIRS

Any motorcycle, motorcycle combination or sidecar sent to us to be plated, enamelled or repaired will be repaired upon the following conditions, *i.e.*, we guarantee that all precautions which are usual and reasonable have been taken by us to secure excellence of materials and workmanship, such guarantee to extend and be in force for three months only from the time such work shall have been executed, and this guarantee is in lieu and in exclusion of all conditions and warranties statutory or otherwise, and all liabilities whatsoever and the damages recoverable are limited to the cost of any further work which may be necessary to amend and make good the work found to be defective.

## NOTE

We do not appoint agents for the sale on our behalf of our motorcycles or other goods, but we assign to motorcycle Dealers areas in which we supply to such Dealers exclusively for re-sale in such areas. No such Dealer is authorised to transact any business, give any warranty, make any representation or incur any liability on our behalf. Published retail prices are for delivery free of charge at Dealers' premises. All goods are offered for sale subject to the price ruling at time of delivery. We reserve the right to modify or deviate from the published specification.

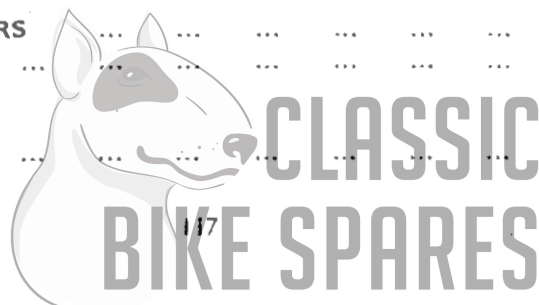
## TRIUMPH SERVICE

There are Triumph distributors and dealers in all parts of the world who carry adequate stocks of Triumph parts and who are ready at all times to help and advise owners of Triumph motorcycles.



# INDEX

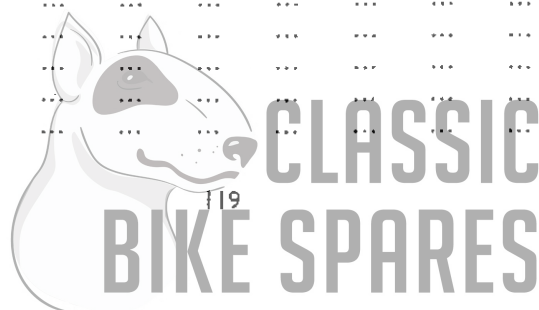
	Page No.
<b>Group 1—CARTON PACKS</b> ... ..	10
<b>Group 2—ENGINE</b> ... ..	19
Connecting rods ... ..	23
Crankcase ... ..	23
Crankcase bearings ... ..	32
Crankcase breather ... ..	34
Crankcase oil filter ... ..	32
Crankcase and flywheel assembly ... ..	22
Cylinder block ... ..	19
Cylinder head ... ..	19
Inlet manifold ... ..	19
Engine sprocket ... ..	35
Oil pump ... ..	32
Oil release valve ... ..	33
Overhead rocker gear ... ..	34
Piston, rings, etc. ... ..	21
Push rods ... ..	34
Push rod cover tube ... ..	34
Rocker oil feed and drain pipes ... ..	35
Studs and bolts for crankcase halves ... ..	32
Tappets and tappet blocks ... ..	34
Timing cover ... ..	33
Timing gear and camshafts ... ..	33
Valves, guides and springs ... ..	21
<b>Group 3—GASKET SET</b> ... ..	35
<b>Group 4—GEARBOX</b> ... ..	36
Clutch and shock absorber ... ..	41
Clutch control ... ..	42
Gear control (enclosed footchange) ... ..	40
Gear control (selector mechanism) ... ..	40
Gearbox casing ... ..	36
Gearbox fittings ... ..	36
Gearbox casing bearings ... ..	37
Gearbox sprocket ... ..	40
Kickstarter ... ..	41
Shafts and gears ... ..	37
<b>Group 5—WIDE RATIO GEARS</b> ... ..	43
<b>Group 6—STANDARD RATIO GEARS</b> ... ..	43
<b>Group 7—CLOSE RATIO GEARS</b> ... ..	43
R.P.M. and gear ratio charts ... ..	44
<b>Group 8—EXHAUST SYSTEM</b> ... ..	45



	Page No.
<b>Group 9—FRAME</b> ... ..	48
Front portion ... ..	50
Rear portion ... ..	50
Swinging fork ... ..	51
<b>Group 10—STAND</b> ... ..	51
Front stand ... ..	51
Centre stand ... ..	51
Prop stand ... ..	51
<b>Group 11—ENGINE PLATES</b> ... ..	52
<b>Group 12—FRONT FORK</b> ... ..	53
<b>Group 13—FRONT WHEEL</b> ... ..	59
<b>Group 14—REAR WHEEL</b> ... ..	64
<b>Group 15—REAR WHEEL (Quickly detachable)</b> ... ..	67
<b>Group 16—MUDGUARDS</b> ... ..	68
Front mudguard ... ..	68
Front valance mudguard ... ..	70
Rear mudguard ... ..	70
Licence holder ... ..	70
<b>Group 17—NUMBER PLATE</b> ... ..	71
<b>Group 18—PETROL AND OIL TANK</b> ... ..	71
Parcel grid ... ..	74
Petrol tank ... ..	71
Oil tank ... ..	74
<b>Group 19—CHAINGUARD</b> ... ..	74
<b>Group 20—PRIMARY CHAINCASE</b> ... ..	76
<b>Group 21—HANDLEBAR</b> ... ..	78
Air control ... ..	80
Clutch control ... ..	80
Front brake control ... ..	80
Handlebar bend ... ..	78
Throttle control ... ..	78
Magneto control ... ..	80
<b>Group 22—CONTROL CABLE</b> ... ..	81
Air cable ... ..	82
Clutch cable ... ..	81
Front brake cable ... ..	81
Ignition cable ... ..	82
Throttle cable ... ..	81



	Page No.
<b>Group 23—OVERSEAS HANDLEBARS</b> ... ..	82
<b>Group 24—REAR BRAKE CONTROL</b> ... ..	83
<b>Group 25—FOOTRESTS</b> ... ..	83
<b>Group 26—BATTERY CARRIER AND TOOLBOX</b> ... ..	84
<b>Group 27—TOOLKIT</b> ... ..	86
<b>Group 28—AIR FILTER</b> ... ..	88
<b>Group 29—LEGSHIELDS</b> ... ..	89
<b>Group 30—SIDECAR FITTINGS</b> ... ..	89
<b>PROPRIETARY FITTINGS</b> ... ..	90
<b>Group 31—AMAL CARBURETTER</b> ... ..	91
<b>Group 32—S.U. CARBURETTER</b> ... ..	94
<b>Group 33—CHAINS</b> ... ..	97
<b>Group 34—LUCAS LIGHTING AND IGNITION EQUIPMENT (Dynamo and Magneto)</b>	98
Battery ... ..	101
Cut-out and regulator unit ... ..	98
Dynamo ... ..	98
Handlebar switches and push buttons ... ..	101
Headlamp—Nacelle type ... ..	99
Headlamp—Trophy type ... ..	99
Horn ... ..	99
Magneto ... ..	102
Magneto (Wader type) ... ..	102
Nacelle instrument panel ... ..	101
Stop-tail lamp ... ..	101
Wiring harness ... ..	101
<b>Group 35—LUCAS LIGHTING AND IGNITION (Alternator)</b> ... ..	104
Alternator ... ..	104
Battery ... ..	106
Distributor ... ..	104
Headlamp ... ..	105
Horn push and dipper switch ... ..	106
Horn ... ..	106
Ignition coil ... ..	104
Nacelle instrument panel ... ..	106
Rectifier ... ..	104
Stop-tail lamp ... ..	105
Wiring harness ... ..	106





	<i>Page No.</i>
<b>Group 36—TWINSEAT</b> ... ..	107
<b>Group 37—SPARKING PLUGS</b> ... ..	107
<b>Group 38—SPEEDOMETER</b> ... ..	107
<b>Group 39—SUSPENSION UNITS (GIRLING)</b> ... ..	108
<b>Group 40—HIGH PERFORMANCE PARTS</b> ... ..	109

