



20-10222C

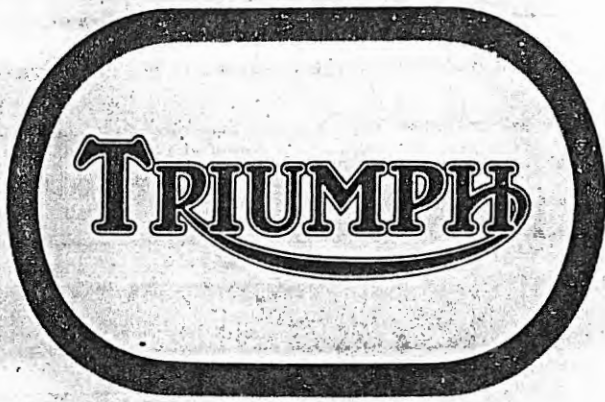
ESSD 4

Replacement parts list 1973 Hurricane, Model X75.

Publication No. 99-0967







Replacement parts list

HURRICANE, Model X75.

Issued by:

Triumph Motorcycle Corporation

Towson

Baltimore 4

Maryland 21204

P.O. Box 275

Duarte

California 91010

© Copyright reserved

Triumph Engineering Co., Ltd.

Meriden Works

Allesley

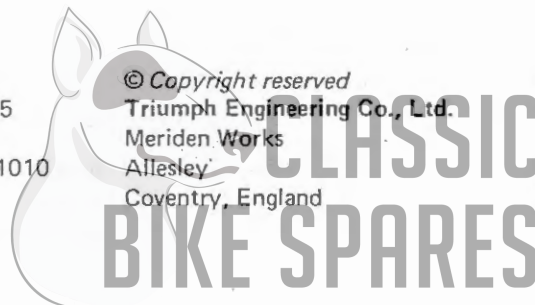
Coventry, England

1973 Publication

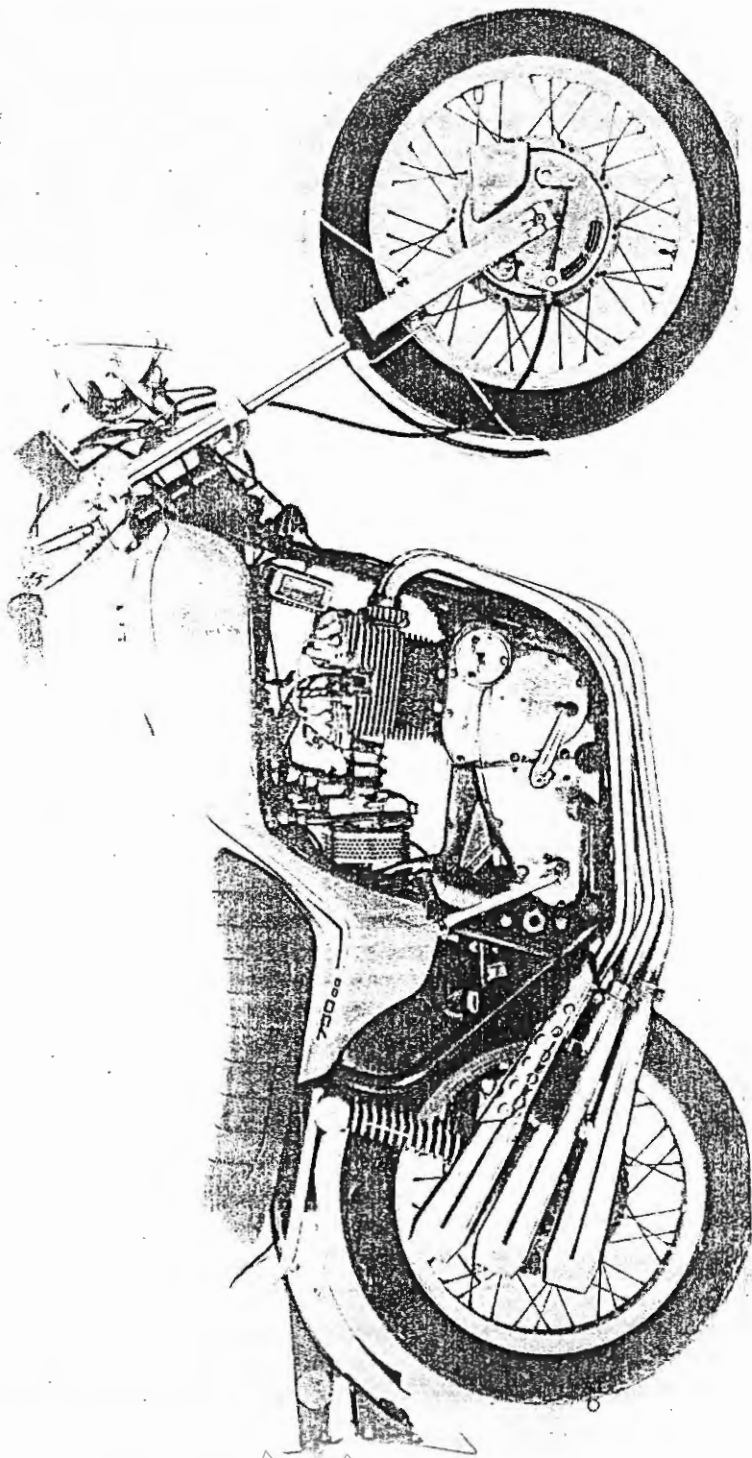
Ref. 99-0967

Produced in England

by F. Gordon Reaves Ltd.







THE TRIUMPH HURRICANE, MODEL X75.



**CLASSIC
BIKE SPARES**

NOTES

PRICES

Price codes are not given in this list. For prices please refer to the latest edition of the Master Price List.

SCREW THREADS

Details of thread forms and sizes are quoted after the description of nuts, bolts, screws and studs. Example:
14-0102 Bolt ($\frac{1}{4}$ " UN.F \times $\frac{5}{8}$ ") = $\frac{1}{4}$ " diameter unified fine thread, $\frac{5}{8}$ " long under head.

ABBREVIATIONS

B.A.	=	British Association
B.S.C.	=	British Standard Cycle
B.S.F.	=	British Standard Fine
W.F.	=	Whitworth Form
UN.F	=	Unified Fine
UN.C.	=	Unified Coarse
UN.S.	=	Unified Special

WASHERS

Dimensions of washers are quoted in the following sequence:- inside diam, outside diam, thickness.



PROPRIETARY MANUFACTURERS

THE TRIUMPH WARRANTY DOES NOT APPLY TO PROPRIETARY COMPONENTS AND ANY REPAIRS OR CLAIMS REGARDING THESE PRODUCTS SHOULD BE REFERRED DIRECT TO THE MANUFACTURERS CONCERNED. THEIR NAMES AND ADDRESSES ARE AS FOLLOWS:--

FRONT BRAKE SHOES, CLUTCH

Automotive Products Co., Ltd., P.O. Box 14, Southam Road, Banbury, Oxfordshire.

CARBURETTORS

Amal Limited, Holdford Road, Witton, Birmingham, 6.

CHAINS

Renold Limited, Wythenshawe, Manchester.

ELECTRICAL EQUIPMENT

Joseph Lucas (Sales & Service) Ltd., Great Hampton Street, Birmingham, 18.

SUSPENSION UNITS

Girling Limited, Birmingham Road, West Bromwich, Staffordshire.

SPARKING PLUGS

Champion Sparking Plug Co. Ltd., Feltham, Middlesex.

SPEEDOMETERS

Smith's Industries Ltd., Motor Accessory Division, 50 Oxgate Lane, Cricklewood, London, N.W.2.

TYRES

Dunlop Co. Ltd., Fort Dunlop, Birmingham, 24.



ASSEMBLIES COMPLETE

Spares No.	Description
00-7009	LOCTITE PLASTIC GASKET (10 bottle trade pack)
00-7007	LOCTITE (10 tube trade pack)
00-3172	TOP OVERHAUL GASKET SET
00-3315	FULL OVERHAUL GASKET SET
00-3466	PISTON RING SET (standard)
00-3468	PISTON RING SET (.010" oversize)
00-3469	PISTON RING SET (.020" oversize)
00-3470	PISTON RING SET (.040" oversize)
71-2616	ENGINE-GEARBOX UNIT – less carburettors and exhaust system
71-1351	OIL PUMP
57-2562	CLUTCH ASSEMBLY
57-3871	PRIMARY DRIVE SHOCK ABSORBER ASSEMBLY
71-3574	CRANKCASE COMPLETE (left, centre and right)
83-3450	FRAME
83-3243	SWINGING ARM WITH BUSHES
97-4182	FRONT FORK COMPLETE
37-3848	FRONT HUB WITH SPINDLE AND BEARINGS
37-3944	FRONT WHEEL WITH SPINDLE AND BEARINGS
37-4174	FRONT BRAKE ANCHOR PLATE WITH BRAKE
37-3982	REAR HUB WITH SPINDLE AND BEARINGS
37-4102	REAR WHEEL WITH SPINDLE AND BEARINGS
37-4113	REAR BRAKE ANCHOR PLATE WITH BRAKE



PISTON CHART

PISTON COMPLETE

Compression	Standard	+010"	+020"	+040"
9:1	70-9741	70-9762	70-9763	70-9764

PISTON RINGS (Standard)

Compression	Scraper	Set Number
70-6838 (6)	70-9739 (3)	00-3466

PISTON RINGS (+010")

70-9016 (6)	70-9766 (3)	00-3468
-------------	-------------	---------

PISTON RINGS (+020")

70-9017 (6)	70-9767 (3)	00-3469
-------------	-------------	---------

PISTON RINGS (+040")

70-9018 (6)	70-9768 (3)	00-3470
-------------	-------------	---------

CARBURETTORS

Location	Spares No.	Amal No.	Main Jet	Throttle Slide	Needle Jet	Needle Position
Right	60-4096	R.626/69	150	3½	106	2
Centre	60-4098	R.626/71				
Left	60-4097	L.626/70				



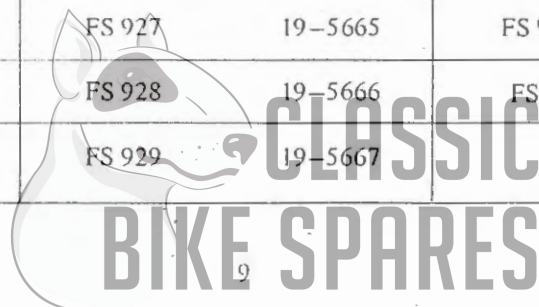
STEERING LOCK AND KEY

Lock No.	Key No.	Lock No.	Key No.	Lock No.	Key No.
EJR 1	19-5151	EJR 18	19-5168	EJR 35	19-5185
EJR 2	19-5152	EJR 19	19-5169	EJR 36	19-5186
EJR 3	19-5153	EJR 20	19-5170	EJR 37	19-5187
EJR 4	19-5154	EJR 21	19-5171	EJR 38	19-5188
EJR 5	19-5155	EJR 22	19-5172	EJR 39	19-5189
EJR 6	19-5156	EJR 23	19-5173	EJR 40	19-5190
EJR 7	19-5157	EJR 24	19-5174	EJR 41	19-5191
EJR 8	19-5158	EJR 25	19-5175	EJR 42	19-5192
EJR 9	19-5159	EJR 26	19-5176	EJR 43	19-5193
EJR 10	19-5160	EJR 27	19-5177	EJR 44	19-5194
EJR 11	19-5161	EJR 28	19-5178	EJR 45	19-5195
EJR 12	19-5162	EJR 29	19-5179	EJR 46	19-5196
EJR 13	19-5163	EJR 30	19-5180	EJR 47	19-5197
RJR 14	19-5164	EJR 31	19-5181	EJR 48	19-5198
EJR 15	19-5165	EJR 32	19-5182	EJR 49	19-5199
EJR 16	19-5166	EJR 33	19-5183	EJR 50	19-5200
EJR 17	19-5167	EJR 34	19-5184		



IGNITION LOCK AND KEY

Lock No.	Key No.	Lock No.	Key No.	Lock No.	Key No.
FS 876	19-5614	FS 903	19-5641	FS 930	19-5668
FS 877	19-5615	FS 904	19-5642	FS 931	19-5669
FS 878	19-5616	FS 905	19-5643	FS 932	19-5670
FS 879	19-5617	FS 906	19-5644	FS 933	19-5671
FS 880	19-5618	FS 907	19-5645	FS 934	19-5672
FS 881	19-5619	FS 908	19-5646	FS 935	19-5673
FS 882	19-5620	FS 909	19-5647	FS 936	19-5674
FS 883	19-5621	FS 910	19-5648	FS 937	19-5675
FS 884	19-5622	FS 911	19-5649	FS 938	19-5676
FS 885	19-5623	FS 912	19-5650	FS 939	19-5677
FS 886	19-5624	FS 913	19-5651	FS 940	19-5678
FS 887	19-5625	FS 914	19-5652	FS 941	19-5679
FS 888	19-5626	FS 915	19-5653	FS 942	19-5680
FS 889	19-5627	FS 916	19-5654	FS 943	19-5681
FS 890	19-5628	FS 917	19-5655	FS 944	19-5682
FS 891	19-5629	FS 918	19-5656	FS 945	19-5683
FS 892	19-5630	FS 919	19-5657	FS 946	19-5684
FS 893	19-5631	FS 920	19-5658	FS 947	19-5685
FS 894	19-5632	FS 921	19-5659	FS 948	19-5686
FS 895	19-5633	FS 922	19-5660	FS 949	19-5687
FS 896	19-5634	FS 923	19-5661	FS 950	19-5688
FS 897	19-5635	FS 924	19-5662	FS 951	19-5689
FS 898	19-5636	FS 925	19-5663	FS 952	19-5690
FS 899	19-5637	FS 926	19-5664	FS 953	19-5691
FS 900	19-5638	FS 927	19-5665	FS 954	19-5692
FS 901	19-5639	FS 928	19-5666	FS 955	19-5693
FS 902	19-5640	FS 929	19-5667		



INDEX

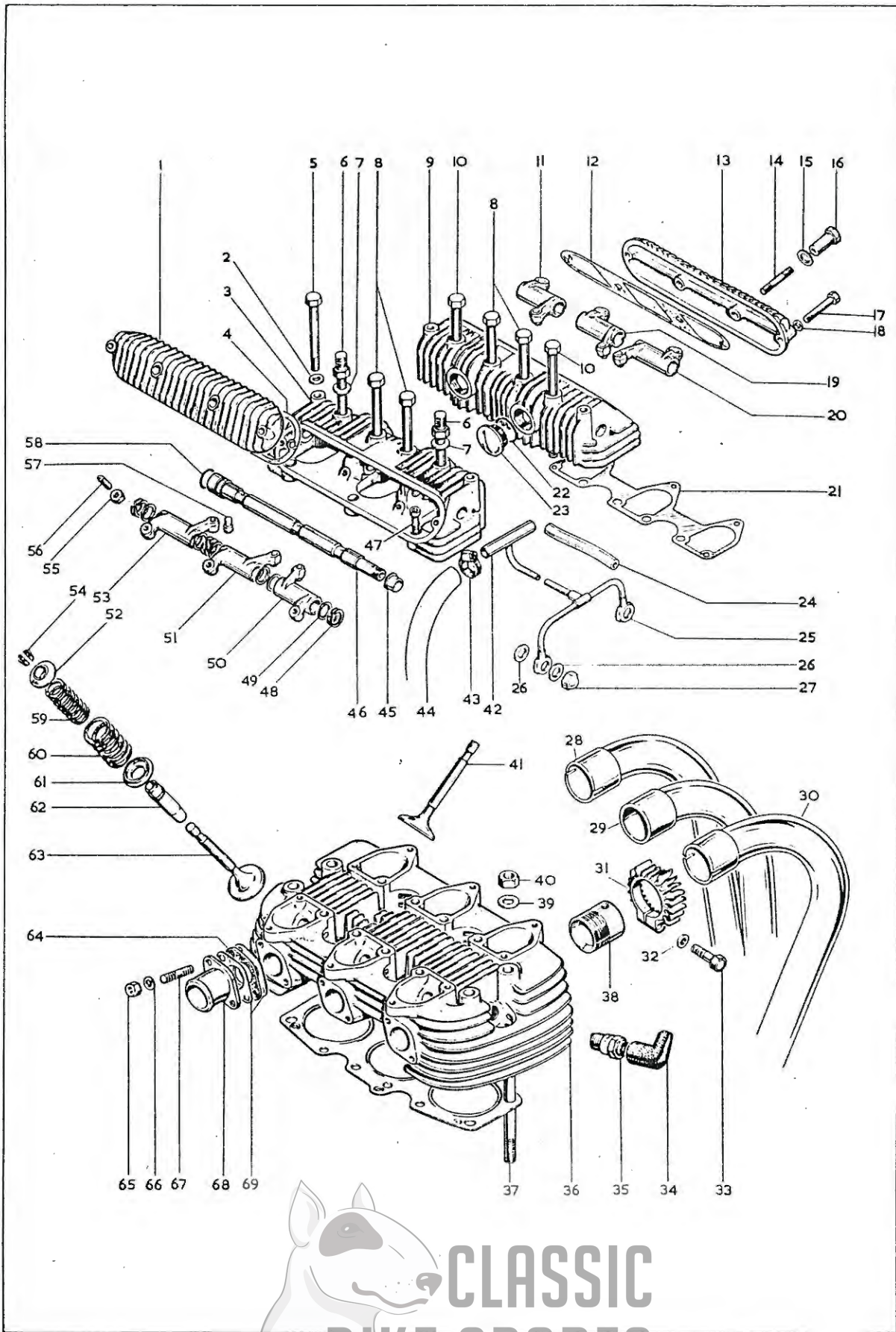
	Page
Assemblies Complete	6
Piston Chart	7
Carburettors	7
Steering Lock and Key	8
Ignition Lock and Key	9
Plate 1 Cylinder Head – Rocker Boxes – Exhaust Pipes	12 - 15
Plate 2 Cylinder – Pistons – Crankshaft	16 - 17
Plate 3 Crankcase – Timing Gears – Oil Filters	18 - 23
Plate 4 Inner Primary Cover – Oil Pump	24 - 25
Plate 5 Clutch – Shock Absorber	26 - 27
Plate 6 Outer Primary Cover – Chain Tensioner – Clutch Control	28 - 29
Plate 7 Gears – Shafts – Selectors – Starting Mechanism	30 - 33
Plate 8 Gearbox Cover – Gearchange – Kickstart Crank	34 - 35



INDEX – *continued*

		Page
Plate 9	Frame and Fittings	36 - 39
Plate 10	Swinging Arm – Centre Stand – Rear Brake Control	40 - 41
Plate 11	Front Fork	42 - 45
Plate 12	Front Wheel	46 - 47
Plate 13	Rear Wheel	48 - 49
Plate 14	Mudguards – Chainguard	50 - 51
Plate 15	Handlebar – Dual Seat – Fuel Tank – Silencers	52 - 55
Plate 16	Battery Carrier – Air Cleaner	56 - 57
Plate 17	Oil Tank – Oil Cooler	58 - 59
Plate 18	Electrical Equipment (Part 1)	60 - 61
Plate 19	Electrical Equipment (Part 2) and Instruments	62 - 63
Plate 20	Carburettors – Throttle Linkage	64 - 67
Plate 21	Tools	68 - 69





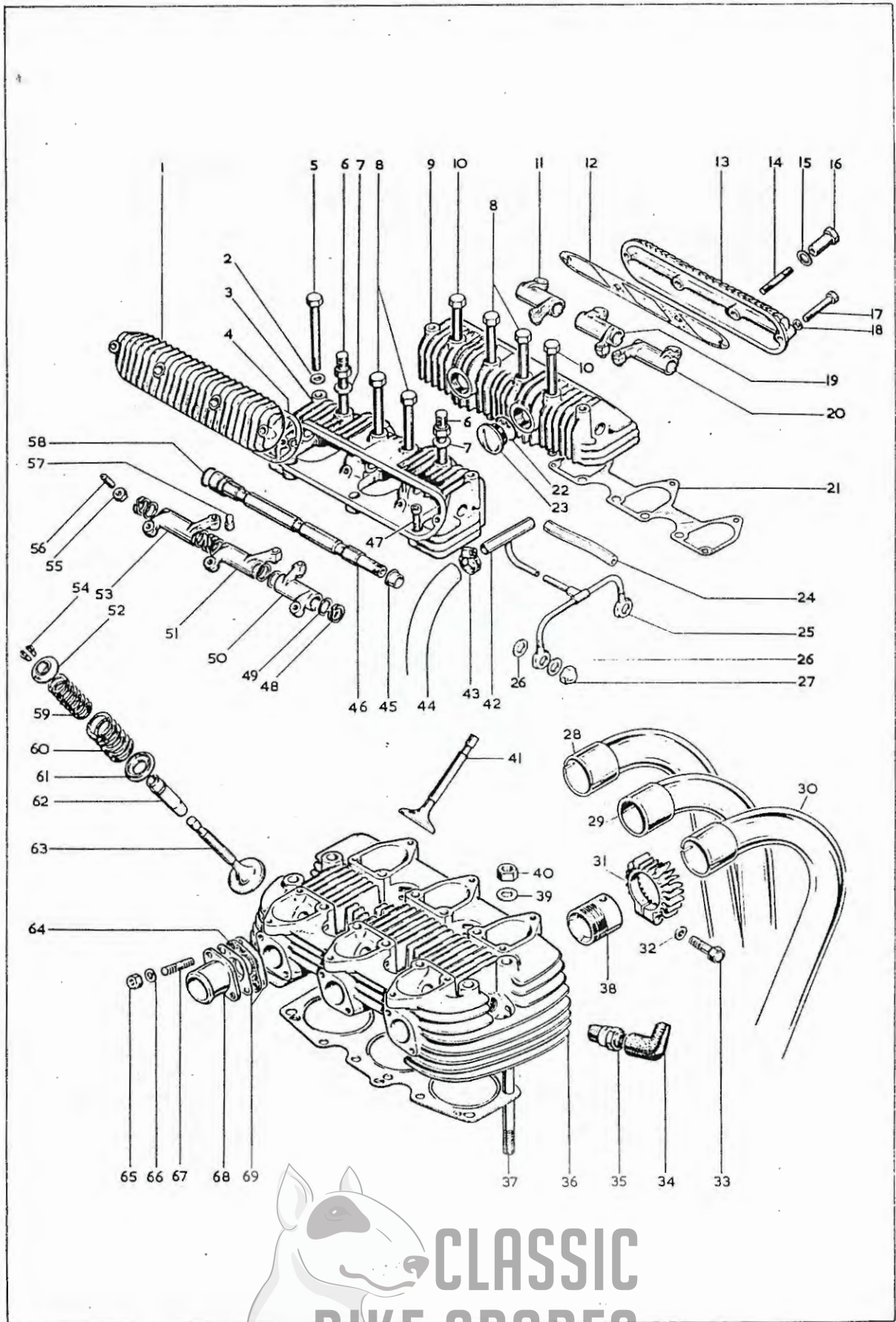
CYLINDER HEAD – ROCKER BOXES – EXHAUST PIPES

Plate Ref.	Part No.	Description	Per Set
1.	71-2610	Cover – inlet rocker box	1
2.	54-9081	Washer – rocker box to cylinder head (.281" X .563" X .078")	4
3.	71-2608	Rocker box – inlet	1
4.	71-1445	Gasket – rocker box cover	1
5.	14-6211	Bolt – rocker box to cylinder head (1/4" U.N.C. X 3")	4
6.	71-0280*	Bolt – rocker box and engine steady (3/8" / 5/16" UN.F X 4 1/2")	2
7.	70-9240	Washer – rocker box bolt (.328" X .625" X .094")	8
8.	70-8820*	Bolt – rocker box to block (short)	4
9.	71-2609	Rocker box – exhaust	1
10.	70-8819*	Bolt – rocker box to block (long)	2
11.	71-3589	Rocker – exhaust (left)	1
12.	71-1445	Gasket – rocker box cover	1
13.	71-2611	Cover – exhaust rocker box	1
14.	14-1401	Stud – rocker box cover (1/4" UN.C/UN.F X 1 1/8")	4
15.	70-9239	Washer – rocker box cover fixing nut (.390" X .566" X .064")	4
16.	70-9237	Sleeve nut – rocker box cover fixing	4
17.	14-0202	Bolt – rocker box cover (1/4" UN.F X 1 1/8")	4
18.	21-0025	Washer – rocker box cover (.281" X .563" X .078")	4
19.	71-3587	Rocker – exhaust (centre)	1
20.	71-3588	Rocker – exhaust (right)	1
21.	70-8773	Gasket – rocker box	2
22.	70-8782	'O' Ring – inspection cap	4
23.	57-2166	Inspection cap – rocker box	4
24.	71-1175	Connecting tube – oil feed pipes	1
25.	71-1168	Oil pipe – rocker spindle	1
26.	70-1335	Washer – rocker oil pipe, copper (.380" X .656" X .036")	4
27.	21-0550	Nut, domed – oil pipe to rocker spindles (3/8" UN.F)	2
28.	71-2907	Exhaust pipe – left	1
29.	71-2980	Exhaust pipe – centre	1
30.	71-2906	Exhaust pipe – right	1
31.	70-6743	Finned collar – exhaust pipe	3
32.	70-8860	Washer spherical – finned collar	3
33.	70-6744	Bolt – finned collar (5/16" UN.F X 1 3/16")	3
34.	19-7641	Cover – spark plug (Champion WC200)	3
35.	19-7606	Spark plug – (Champion N3)	3
36.	71-2585	Cylinder head, with fixed fittings	1
37.	21-0686*	Stud – head to block (3/8" UN.C/UN.F X 4 3/4")	4
38.	70-9510	Adaptor – exhaust pipe	3
39.	37-2337	Washer – head to block stud (.380" X .750" X .092")	4
40.	14-0303	Nut – head to block stud (3/8" UN.F)	4
41.	71-3362	Valve – exhaust	3
42.	71-1172	Oil connecting pipe – engine to cooler and rocker feed	1
43.	60-0702	Jubilee clip – oil pipes	6
44.	70-8905	Flexible pipe – rocker oil feed	1
45.	70-6018	Bush – rocker spindle (right)	2

* Special Material: 6, 8, 10 – EN16 37 – EN8



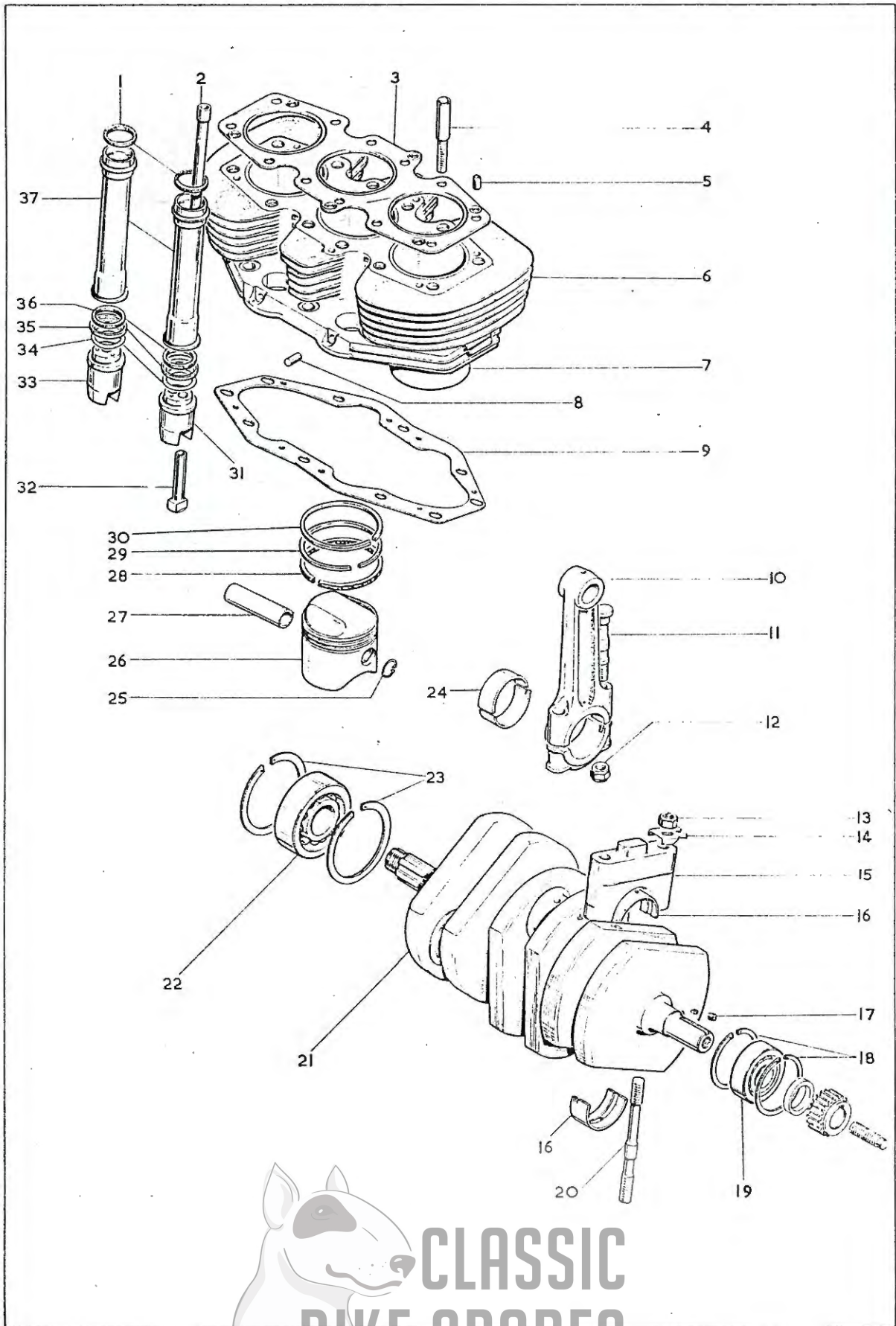
CYLINDER HEAD - ROCKER BOXES - EXHAUST PIPES



CYLINDER HEAD – ROCKER BOXES – EXHAUST PIPES

Plate Ref.	Part No.	Description	Per Set
46.	70--9558	Rocker spindle assembly	2
47.	14--7004	Screw – rocker box to cylinder head (1/4" UN.C X 3/4")	6
48.	70--1574	Washer, spring – rocker spindle	6
49.	70--1575	Washer, thrust – rocker spindle	12
50.	71--3587	Rocker – inlet (right)	1
51.	71--3588	Rocker – inlet (centre)	1
52.	70--8720	Collar – valve spring (top)	6
53.	71- 3590	Rocker – inlet (left)	1
54.	99--0062	Split collet – valve spring	12
55.	14--0402	Nut – rocker lever adjusting pin	6
56.	71--3358	Adjusting pin – rocker lever	6
57.	71--0070	Rocker ball pin	6
58.	60--3548	'O' ring – rocker spindle	2
59.	70--8787	Valve spring – inner	6
60.	70--8788	Valve spring – outer	6
61.	70--8789	Cup – valve spring (bottom)	6
62.	70--6420	Valve guide (standard)	6
62.	71 -3280	Valve guide (.002" oversize)	6
62.	71--3281	Valve guide (.015" oversize)	6
63.	71--3361	Valve – inlet	3
64.	70--8981	Washer, insulating – inlet stub	3
65.	14--1301	Nut – inlet stub fixing (1/4" UN.F)	6
66.	40--2705	Washer – inlet stub fixing (.266" X .469" X .064")	6
67.	21--0557	Stud – inlet stub fixing (1/4" UN.F/UN.C X 1 5/32")	6
68.	71--2613	Inlet stub – cylinder head	3
69.	71 1446	Gasket – inlet stub	6



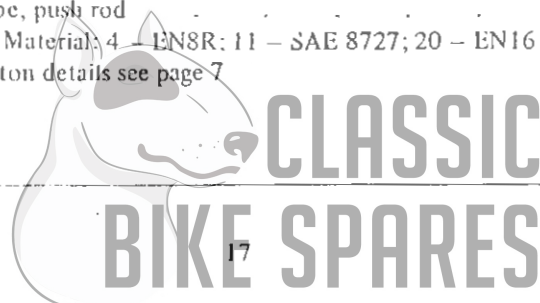


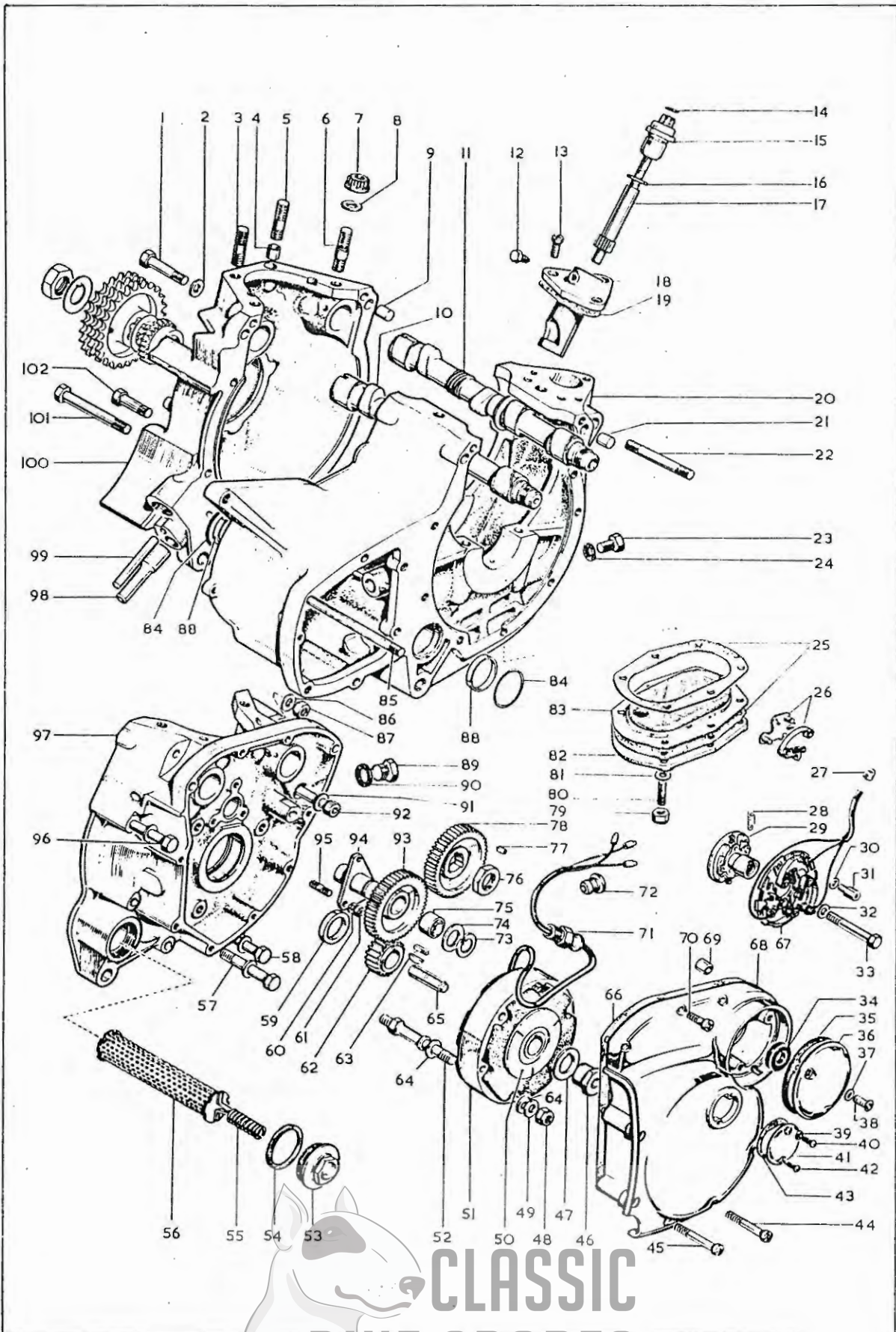
CYLINDER BLOCK – PISTONS – CRANKSHAFT

Plate Ref.	Part No.	Description	Per Set
1.	70-4752	Washer -- push rod cover joint	4
2.	71-1238	Push rod -- inlet and exhaust	6
3.	71-1733	Gasket -- cylinder head	1
4.	70-8817*	Stud -- cylinder block	8
5.	70-1532	Dowel -- cylinder head to block	6
6.	71-2614	Cylinder block assembly	1
7.	70-8914	Liner -- cylinder block	3
8.	70-9465	Dowel -- tappet block	4
9.	70-6496	Gasket -- cylinder base	1
10.	70-9740	Connecting rod -- complete assembly	3
11.	70-9727*	Bolt connecting rod	6
12.	14-1202	Nut -- connecting rod bolt (5/16" UN.F)	6
13.	14-0303	Nut -- main bearing cap (3/8" UN.F)	4
14.	71-1129	Washer, tab -- main bearing cap nut	4
15.		Cap -- main bearing (supplied only with crankcase)	2
16.	70-6023	Shell -- main bearing (standard)	4
16.	70-9027	Shell -- main bearing (.010" undersize)	4
16.	70-9028	Shell -- main bearing (.020" undersize)	4
16.	70-9029	Shell -- main bearing (.030" undersize)	4
16.	70-9030	Shell -- main bearing (.040" undersize)	4
17.	70-6577	Plug -- crankshaft oilway	3
18.	70-6026	Circlip -- right bearing retaining	2
19.	70-8780	Bearing -- crankshaft, right (Hoffman R.125)	1
20.	70-8745*	Stud -- main bearing cap (3/8" UN.F/UN.C X 4 7/8")	4
21.	71-3307	Crankshaft assembly	1
22.	70-1591	Bearing -- crankshaft, left (Hoffmann MS11)	1
23.	70-6025	Circlip -- left bearing retaining	2
24.	70-5998	Shell -- connecting rod big end (standard)	6
24.	70-9023	Shell -- connecting rod big end (.010" undersize)	6
24.	70-9024	Shell -- connecting rod big end (.020" undersize)	6
24.	70-9025	Shell -- connecting rod big end (.030" undersize)	6
24.	70-9026	Shell -- connecting rod big end (.040" undersize)	6
25.	70-6840	Circlip -- gudgeon pin	6
26.	70-9741†	Piston complete (standard)	3
27.	70-6836	Gudgeon pin	3
28.	70-9739†	Piston ring -- scraper (standard)	3
29.	70-6838†	Piston ring -- compression (standard) top	3
30.	70-6838†	Piston ring -- compression (standard) centre	3
31.	71-3211	Tappet block -- right (standard)	2
31.	71-3449	Tappet block -- right (.010" oversize)	2
32.	71-3213	Intake and exhaust tappet	6
33.	71-3212	Tappet block -- left (standard)	2
33.	71-3448	Tappet block -- left (.010" oversize)	2
34.	71-1190	Gasket, push rod cover tube	4
35.	70-4746	Cup, sealing washer	4
36.	70-4752	Washer, sealing, push rod cover tube	4
37.	70-6955	Cover tube, push rod	4

* Special Material: 4 - EN8; 11 - SAE 8727; 20 - EN16

† For piston details see page 7

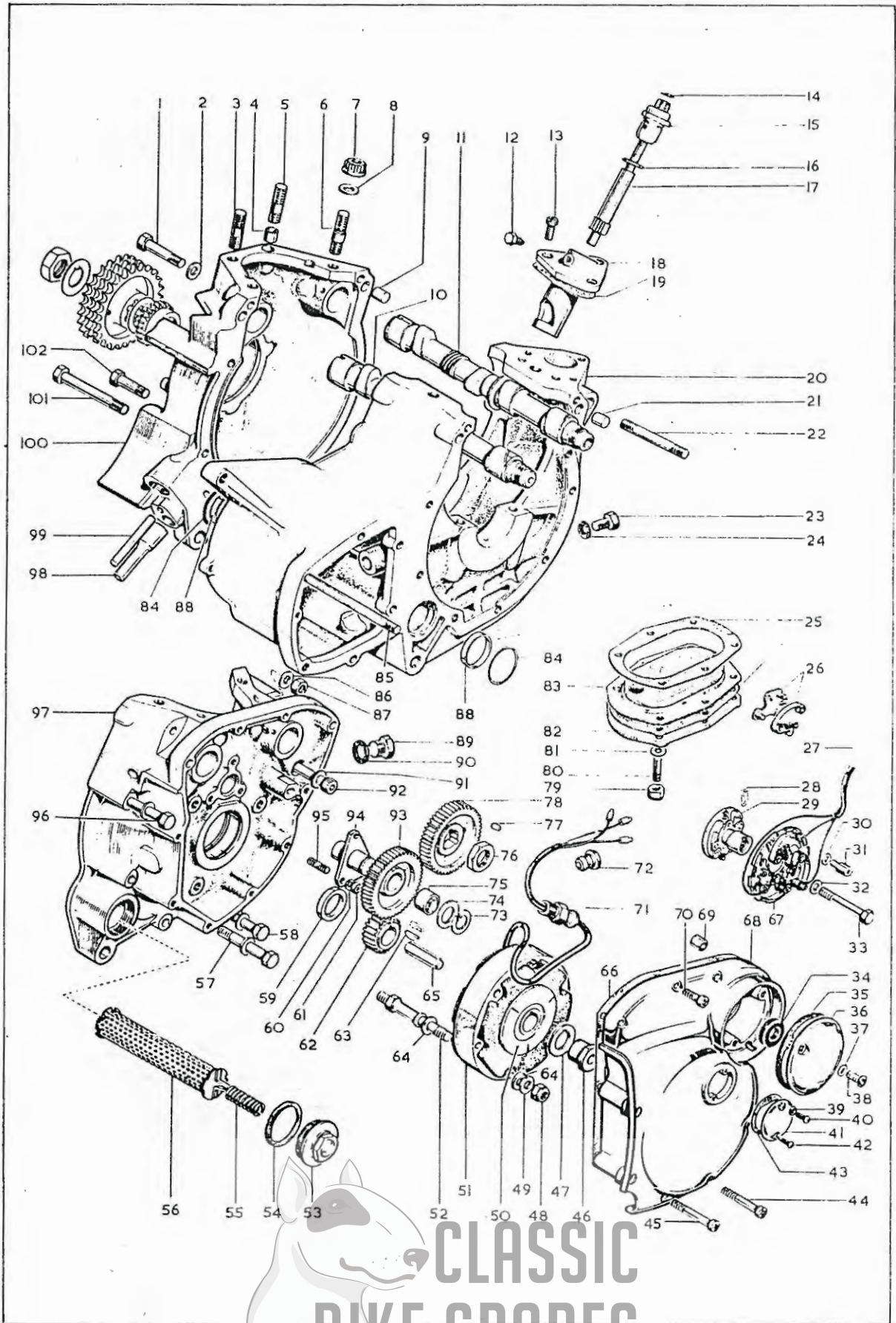




CRANKCASE – TIMING GEARS – OIL FILTERS

Plate Ref.	Part No.	Description	Per Set
1.	14-6220	Bolt – crankcase $\frac{5}{16}$ " UN.C X $1\frac{3}{4}$ "	2
2.	54-0055	Washer – crankcase bolt (.344" X .625" X .063")	8
3.	21-1931*	Stud – Cylinder block base ($\frac{3}{8}$ " UN.C/UN.F X $1\frac{3}{4}$ "	4
4.	70-8751	Dowel – cylinder block location	2
5.	70-8738*	Stud – cylinder block, at dowel position ($\frac{3}{8}$ " UN.F X $1\frac{13}{16}$ "	2
6.	21-1912*	Stud – cylinder block ($\frac{3}{8}$ " UN.C/UN.F X $1\frac{5}{8}$ "	4
7.	21-0692	Nut – cylinder block stud (12 point, $\frac{3}{8}$ " UN.F)	10
8.	70-8770	Washer – cylinder block base stud (.391" X .625" X 0.64")	10
9.	70-8774	Dowel – crankcase	2
10.	70-8764	Camshaft – intake	1
11.	70-8765	Camshaft – exhaust	1
12.	70-8744	Bolt – tachometer drive locating ($\frac{1}{4}$ " UN.C X $\frac{11}{32}$ "	1
13.	14-6605	Screw – tachometer housing to crankcase ($\frac{1}{4}$ " UN.C X $\frac{3}{4}$ "	3
14.	70-6299	'O' ring – driven gear	1
15.	70-8742	Housing – tachometer drive bearing	1
16.	70-3309	'O' ring – tachometer drive	1
17.	70-8741	Driven gear – tachometer drive	1
18.	70-8740	Housing – tachometer driven gear	1
19.	71-1439	Gasket – tachometer drive housing	1
20.	+	Crankcase – centre section	1
21.	70-8774	Dowel – crankcase location	2
22.	14-1427	Stud crankcase ($\frac{5}{16}$ " X UN.C/UN.F X 3")	2
23.	14-6113	Oilway plug ($\frac{5}{16}$ " UN.C X $\frac{5}{8}$ "	2
24.	70-8776	Washer – oilway plug	2
25.	71-1444	Gasket Scavenge Cover	2
26.	99-1014	Contact Set (Lucas 54419828)	1
27.	70-8756	Grommet – contact breaker lead	1
28.	99-1234	Spring – auto advance unit (Lucas 54417992)	2
29.	99-1015	Auto advance unit (Lucas 54419867)	1
30.	70-6559	Washer – contact breaker plate (.203" X .375" X .056")	3
31.	70-6521	Pillar bolt – contact breaker plate (2.BA X $1\frac{3}{32}$ "	3
32.	70-8163	Washer – auto advance unit bolt (.250" X .500" X 0.64")	1
33.	14-0208	Bolt – auto advance unit ($\frac{1}{4}$ " X UN.F X $2\frac{1}{4}$ "	1
34.	76-0291	Oil seal – contact breaker	1
35.	71-1441	Gasket – contact breaker cover	1
36.	70-6519	Cover – contact breaker	1
37.	97-0430	Washer, fibre – contact breaker cover screw	3
38.	82-4715	Screw – contact breaker cover (2.BA X $\frac{11}{32}$ "	3
39.	70-9266	Washer – screw and pointer, timing aperture (.156" X .250" X .031")	2
40.	71-1130	Screw – timing aperture (4.BA X $\frac{5}{16}$ "	1
41.	70-7879	Cover – timing aperture	1
42.	71-0006	Pointer screw – timing aperture (4.BA X $\frac{11}{16}$ "	1
43.	71-1443	Gasket – timing aperture	1
44.	14-6611	Screw – timing cover ($\frac{1}{4}$ " UN.C X $1\frac{3}{4}$ "	1
45.	14-6612	Screw – timing cover ($\frac{1}{4}$ " UN.C X 2")	4

* Special Material: Item 3 – EN16R; Item 5 and 6 – EN8R
 + Supplied only as Crankcase Complete 71-3574



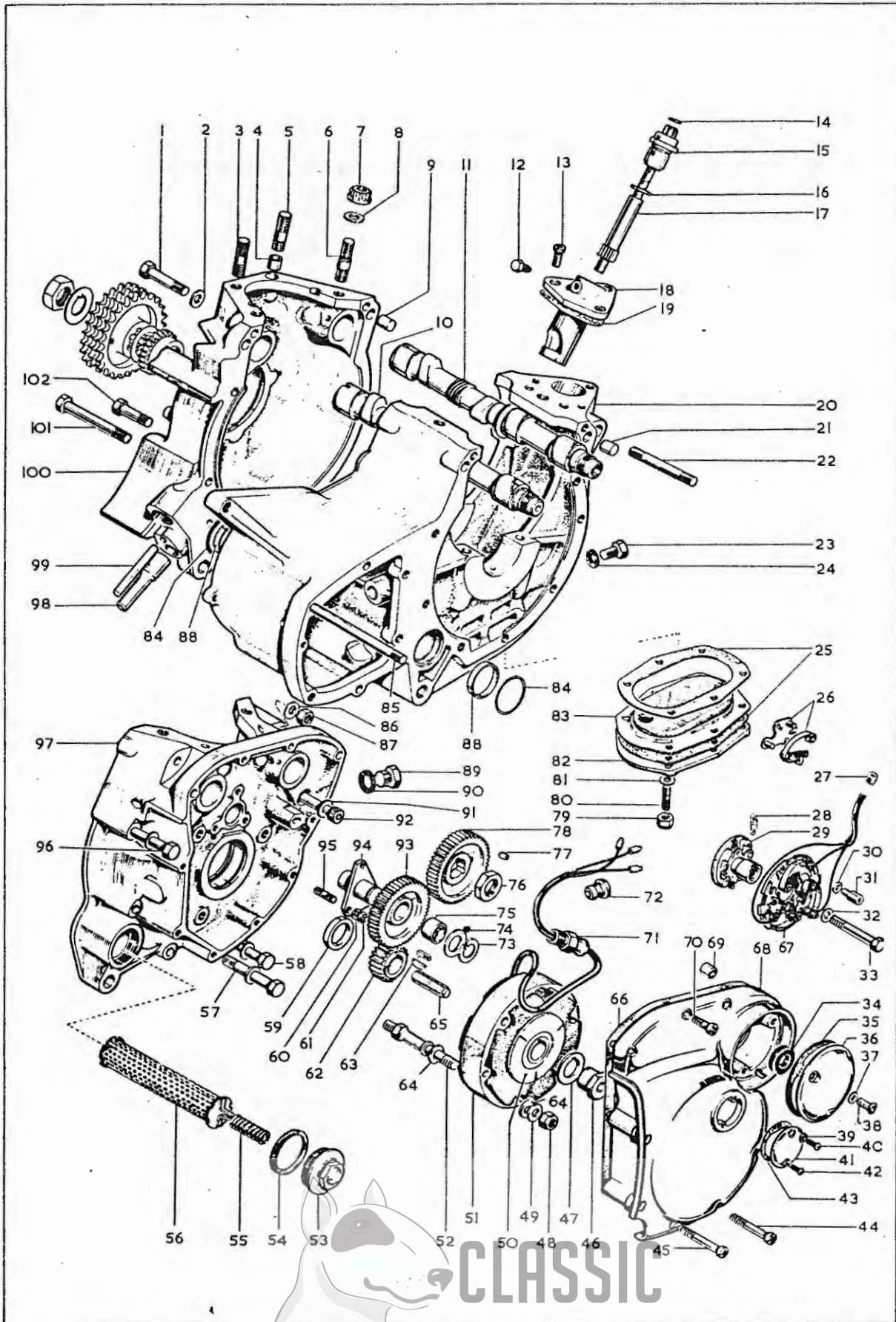
CLASSIC
BIKE SPARES

CRANKCASE – TIMING GEARS – OIL FILTERS

Plate Ref.	Part No.	Description	Per Set
46.	70-8763	Nut – rotor securing (7/16" UN.F)	1
47.	70-3975	Lockwasher – rotor nut	1
48.	21-1852	Nut – stator mounting (5/16" UN.F)	3
49.	21-0025	Washer – stator mounting (.344" X .625" X .063")	3
50.	99-1138	Alternator rotor (Lucas 54213902A)	1
51.	99-1006	Alternator stator (Lucas 47205A)	1
52.	70-6522*	Stud – stator mounting	3
53.	71-1270	Cap – oil filter	1
54.	71-1070	'O' ring – oil filter cap	1
55.	70-6130	Spring – filter mounting	1
56.	70-6571	Oil filter	1
57.	14-6226	Bolt – crankcase fixing (5/16" UN.C X 3 1/4")	4
58.	14-6218	Bolt – crankcase fixing (5/16" UN.C X 1 3/8")	1
59.	70-6173	Distance Piece – timing pinion	1
60.	21-0026	Washer – spring, gear spindle nut	3
61.	14-0401	Nut – gear spindle stud (1/4" UN.F)	3
62.	70-6524	Timing pinion – crankshaft	1
63.	70-1580	Key, parallel – rotor	1
63.	82-9196	Key – crankshaft pinion	1
64.	02-0370	Distance piece – stator (Use only with RM20/21 alternator)	6
65.	21-2185*	Stud – crankshaft (7/16" UN.F X 1.62")	1
66.	71-1348	Gasket – timing cover	1
67.	99-1013	Contact breaker plate assembly (Lucas 54419327)	1
68.	70-7738	Cover – timing gears	1
69.	57-0989	Dowel – timing cover locating	2
70.	14-6608	Screw – timing cover to crankcase (1/4" UN.C X 1")	5
71.	70-8760	Nut – alternator cable sleeve	1
72.	70-9807	Grommet – alternator lead	1
73.	70-8768	Circlip – idler gear retaining	1
74.	70-6088	Thrust washer – idler gear	1
75.	71-2248	Bush – idler gear	1
76.	70-6523	Nut – camshaft pinion	2
77.	70-1558	Key – camshaft pinion	2
78.	70-9802	Camshaft pinion	2
79.	14-1301	Nut – sump fixing (1/4" UN.F)	6
80.	71-1349	Stud – scavenge cover (1/4" UN.C/UN.F X 7/8")	6
81.	60-2320	Washer – scavenge cover nut (.270" X .562" X .056")	6
82.	70-6580	Scavenge cover	1
83.	70-6501	Filter – scavenge cover	1
84.	71-1070	'O' ring – filter seal	2
85.	21-1813	Stud – gearbox cover (5/16" UN.C/UN.F X 4 3/4")	2
86.	54-0055	Washer – crankcase stud (.313" X .625" X .063")	2
87.	14-0302	Nut – crankcase stud (5/16" UN.F)	2
88.	70-9856	Sleeve – filter 'O' ring	2
89.	70-8755	Plug – timing aperture	1
90.	70-1523	Washer – fibre, timing aperture plug (.563" X .844" X 0.64")	1

* Special Material: Item 52 – EN8R; Item 65 – EN8R





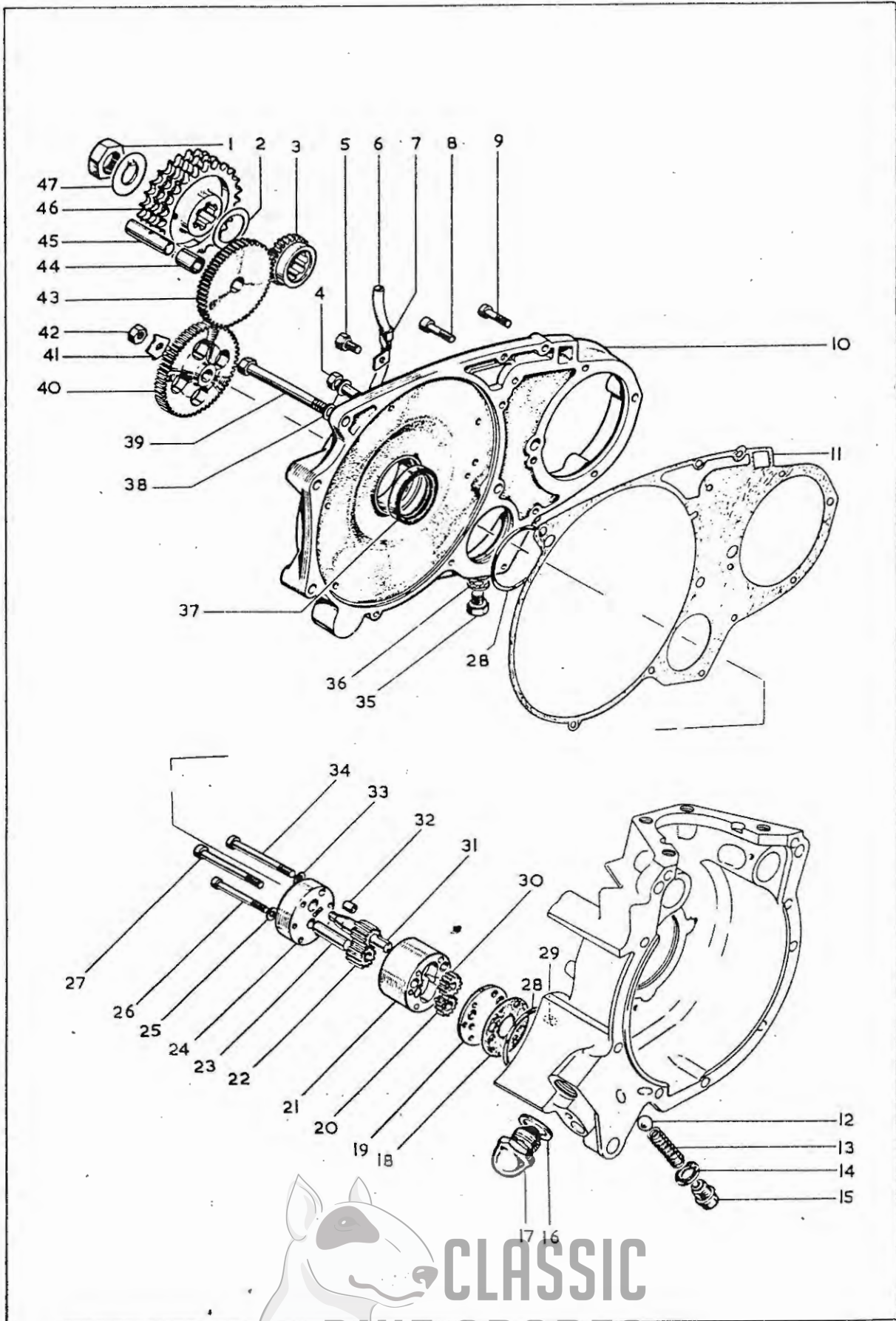
CRANKCASE — TIMING GEARS — OIL FILTERS

Plate Ref.	Part No.	Description	Per Set
91.	54-0055	Washer — crankcase bolt ($\cdot 313''$ X $\cdot 625''$ X $\cdot 063''$)	7
92.	21-0678	Allen screw — crankcase fixing ($\frac{5}{16}''$ UN.C X $3\frac{7}{8}''$)	1
93.	71-2246	Idler gear, complete	1
94.	71-2250	Spindle — idler gear	1
95.	21-0547	Stud — idler gear spindle ($\frac{1}{4}''$ UN.C/UN.F X $\frac{7}{8}''$)	3
96.	14-6223	Bolt — crankcase fixing ($\frac{5}{16}''$ UN.C X $2\frac{1}{2}''$)	1
97.	†	Crankcase — right	1
98.	70-6573	Stub — oil return pipe	1
99.	70-6574	Stub — oil feed pipe	1
100.	†	Crankcase — left	1
101.	14-6226	Bolt — crankcase fixing ($\frac{5}{16}''$ UN.C X $3\frac{1}{4}''$)	5
102.	14-6218	Bolt — crankcase fixing ($\frac{5}{16}''$ UN.C X $1\frac{3}{8}''$)	1

† Supplied only as Crankcase complete 71-3574

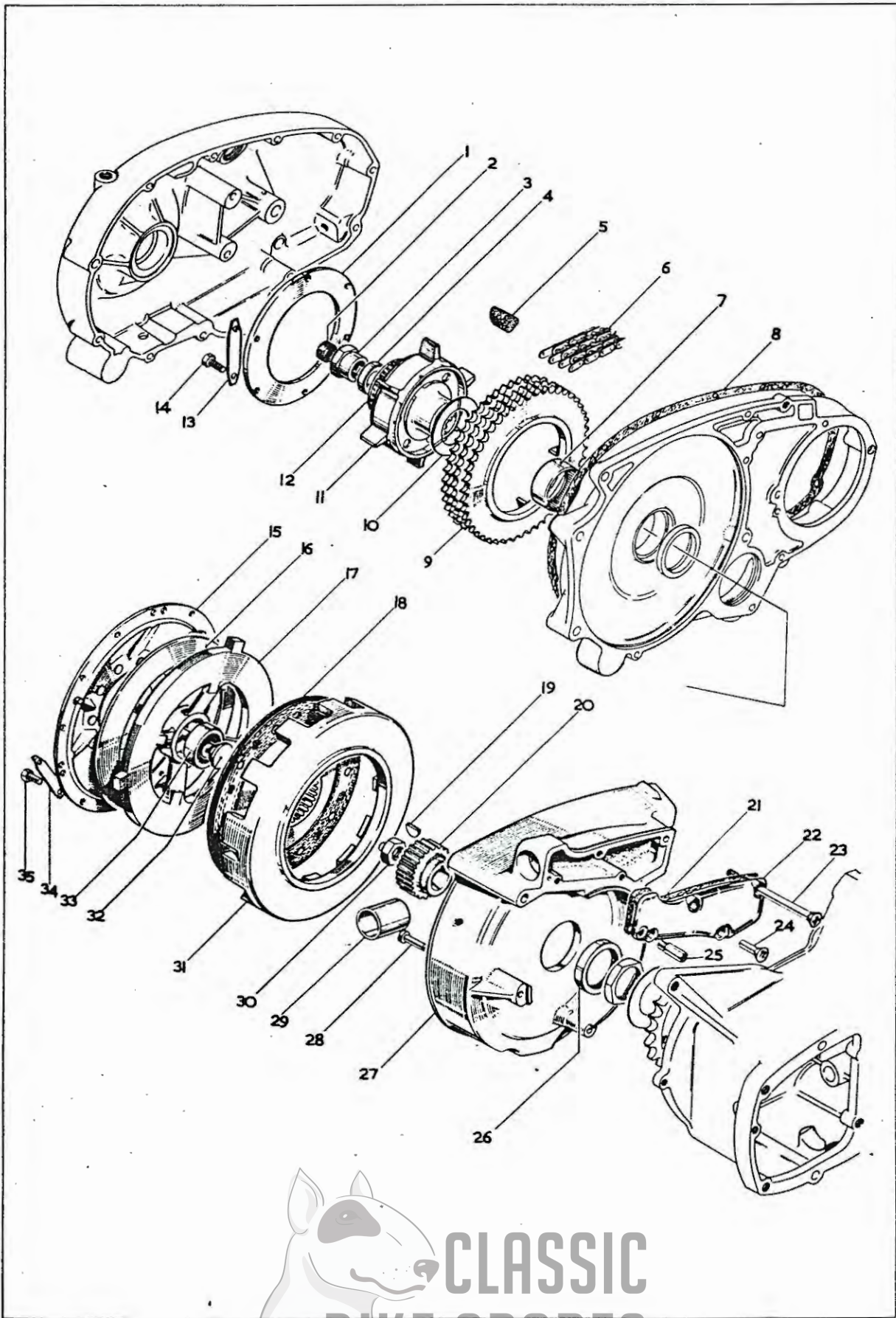


INNER PRIMARY COVER – OIL PUMP



INNER PRIMARY COVER – OIL PUMP

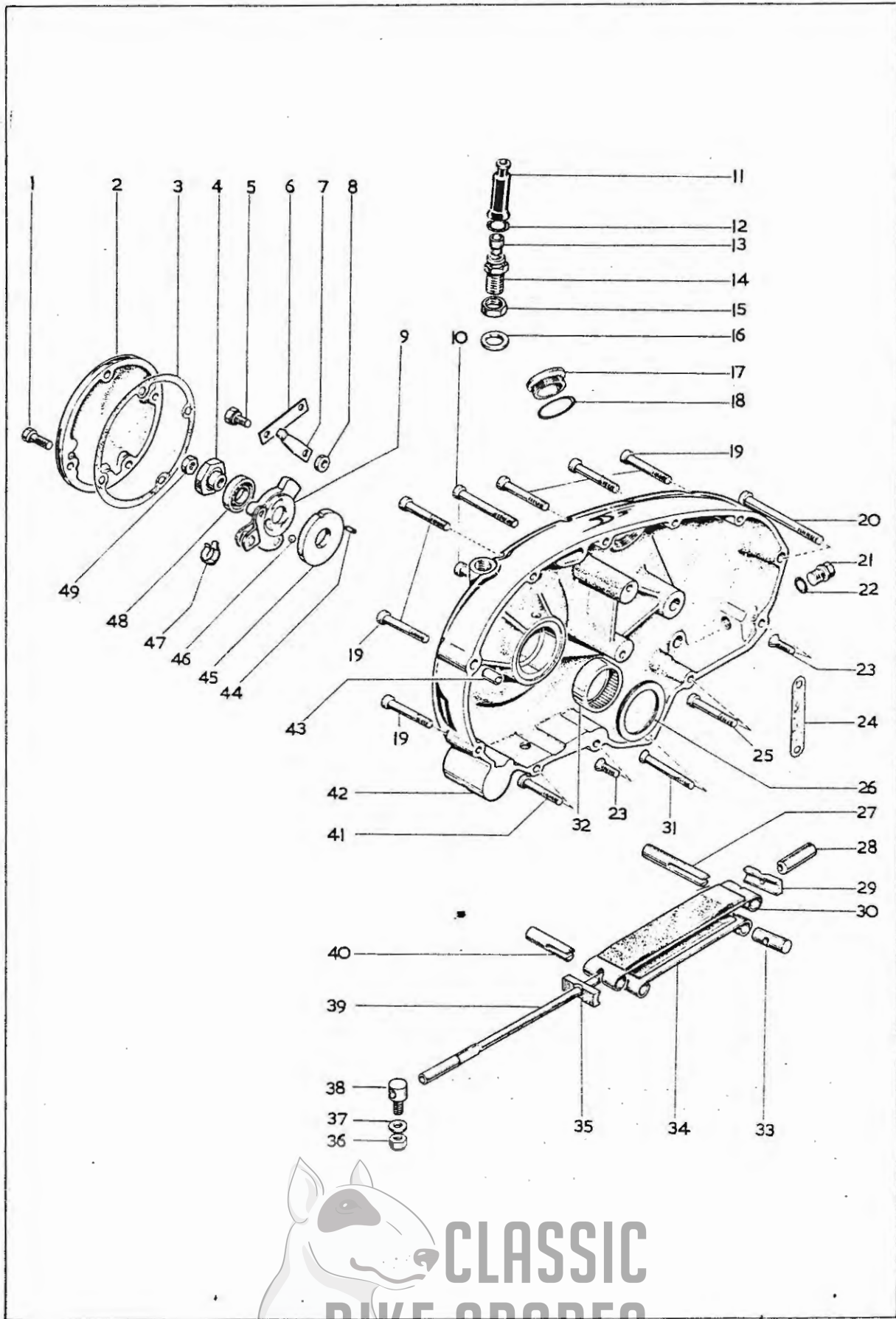
Plate Ref.	Part No.	Description	Per Set
1.	21-0585	Nut – engine sprocket ($\frac{3}{4}$ " UN.F)	1
2.	40-0066	Shim – engine sprocket (.010")	as reqd.
2.	71-2660	Shim – engine sprocket (.030")	as reqd.
3.	70-7248	Gear – oil pump driving	1
4.	21-1820	Bolt – inner cover to crankcase ($\frac{5}{16}$ " UN.C X $4\frac{1}{2}$ ")	1
5.	14-6101	Bolt – chain oiler clip ($\frac{1}{4}$ " UN.C X $\frac{1}{2}$ ")	1
6.	70-8786	Chain oiler pipe	1
7.	70-4705	Clip – chain oiler pipe	1
8.	14-7006	Screw – Allen, inner cover to crankcase ($\frac{1}{4}$ " UN.C X 1")	7
9.	14-6605	Screw – inner cover to crankcase ($\frac{1}{4}$ " UN.C X $\frac{3}{4}$ ")	2
10.	57-4018	Cover – inner primary, with fixed fittings	1
11.	71-1453	Gasket – inner cover to crankcase	1
12.	60-2370	Ball – oil control valve ($\frac{7}{16}$ ")	1
13.	70-6567	Spring – oil control valve	1
14.	71-2792	Washer – copper, oil control valve	1
15.	70-6584	Plug – oil control valve	1
16.	70-1670	Washer – valve body to crankcase (.860" X .122" X .036")	1
17.	70-6595	Oil pressure release valve complete	1
18.	71-1442	Gasket – oil pump to crankcase	1
19.	70-6502	Plate – oil pump base	1
20.	70-6038	Feed gear – oil pump, driven	1
21.	71-1351	Oil pump complete	1
22.	70-6039	Scavenge gear – oil pump, driven	1
23.	70-6454	Spindle – driven gears	1
24.	70-9885	Cover – oil pump	1
25.	70-8731	Washer – spring, oil pump cover screw (.172" X .348" X .048")	2
26.	21-0559	Screw – oil pump cover to body (3 B.A. X 2")	2
27.	71-0003	Screw – oil pump to crankcase (2 B.A. X $2\frac{1}{2}$ ")	3
28.	70-6570	'O' ring – oil pump to crankcase and cover	2
29.	70-1532	Dowel – oil pump locating	1
30.	70-6455	Feed gear – oil pump, driving	1
31.	70-9887	Scavenge gear – oil pump, driving	1
32.	70-6459	Dowel – oil pump cover locating	1
33.	70-8732	Washer – spring, oil pump screw (.203" X .331" X .064")	4
34.	70-9601	Screw – oil pump to crankcase dowel position (2 B.A. X $2\frac{3}{4}$ ")	1
35.	21-0536	Drain plug – primary cover	1
36.	70-0402	Washer – fibre, drain plug (.375" X .563" X .064")	1
37.	57-3642	Oil seal – clutch shaft	1
38.	54-0055	Washer – inner cover to crankcase bolt (.313" X .625" X .063")	2
39.	21-1819	Bolt – inner cover to crankcase ($\frac{5}{16}$ " UN.C X $4\frac{1}{4}$ ")	1
40.	70-9886	Gear – oil pump driven	1
41.	71-1353	Tab washer – oil pump fixing	1
42.	14-0402	Nut – oil pump gear fixing ($\frac{5}{16}$ " UN.F)	1
43.	70-7246	Idler gear – oil pump drive	1
44.	70-6885	Bush – oil pump idler gear	1
45.	71-1051	Spindle – oil pump idler gear	1
46.	70-6890	Engine sprocket (28T)	1
47.	70-8785	Lockwasher – engine sprocket	1
Not	70-6596	Cap – oil pressure release valve	1
Illus.	70-8754	Joint washer, cap to body	1



CLUTCH – SHOCK ABSORBER

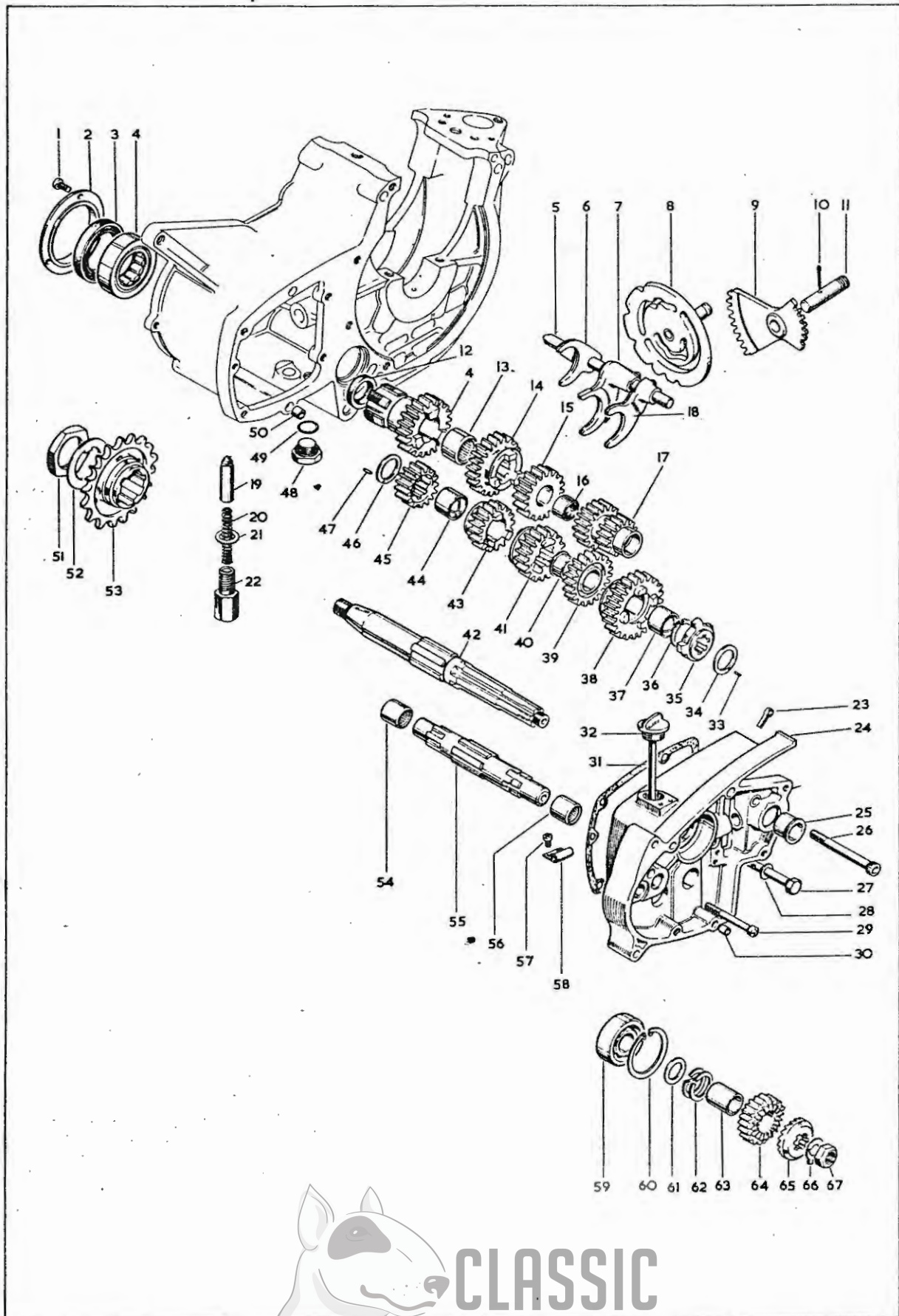
Plate Ref.	Part No.	Description	Per Set
	57-2562	Clutch assembly complete	1
	19-7809	Facing pack for friction plate (3SC.76014)	1
	57-3871	Shock absorber assembly	1
1.	57-4004	Retaining plate – shock absorber	1
2.	57-3644	Oil seal – clutch pull rod	1
3.	57-2480	Nut – shock absorber	1
4.	57-2478	Distance piece – shock absorber nut	1
5.	57-4324	Rubber – shock absorber	12
6.	60-0699	Primary chain – (Triplex endless, 82 pitch; Renold 116.038)	1
7.	57-3643	Needle bearing – clutch shaft (INA.SC.228)	1
8.	71-1454	Gasket – outer primary cover	1
9.	57-4225	Sprocket – shock absorber	1
10.	57-2214	Thrust washer – shock absorber sprocket	1
11.	57-4621	Spider – shock absorber	1
12.	57-3646	Thrust race – shock absorber (Torrington NTA.2233)	1
13.	57-3941	Tab washer – shock absorber retaining plate bolt	3
14.	57-3940	Bolt – shock retaining plate (2 B.A. X 5/8")	6
15.	57-3705	End cover assembly – clutch	1
16.	57-3718	Clutch spring	1
17.	57-3715	Pressure plate – clutch	1
18.	57-3709	Friction plate – clutch	1
19.	21-0066	Key – clutch hub to mainshaft	1
20.	57-2580	Clutch hub	1
21.	71-1452	Gasket – breather duct	1
22.	57-2555	Cover – breather duct	1
23.	14-6515	Screw – breather duct cover to inner cover (1/4" UN.C X 4")	1
24.	21-0680	Screw – cover to clutch cover (10 X 24 UN.C X 3/8)	3
25.	57-3756	Adaptor – oil tank breather pipe	1
26.	57-3642	Oil seal – cover to mainshaft	1
27.	57-2554	Clutch cover	1
28.	14-6610	Screw – cover to crankcase (1/4" UN.C X 1 1/2")	3
29.	57-2557	Breather tube	1
30.	21-0681	Nut – clutch hub to mainshaft (9/16 UN.F)	1
31.	57-3708	Clutch housing	1
32.	57-2552	Clutch pull rod	1
33.	57-3717	Bearing – clutch pressure plate	1
34.	57-3720	Lockwasher – end cover to housing bolt	6
35.	57-3719	Bolt – end cover to housing	12





OUTER PRIMARY COVER – CHAIN TENSIONER – CLUTCH CONTROL

Plate Ref.	Part No.	Description	Per Set
1.	14-6605	Screw – inspection cover ($\frac{1}{4}$ " UN.C X $\frac{5}{8}$ "	4
2.	57-3954	Inspection cover	1
3.	71-1449	Gasket – inspection cover	1
4.	57-2553	Sleeve nut – clutch pull rod	1
5.	14-6102	Bolt – thrust plate spring ($\frac{1}{4}$ " UN.C X $\frac{5}{8}$ "	2
6.	57-2474	Tab washer – thrust plate spring	1
7.	57-2473	Spring – clutch thrust plate	2
8.	57-3638	Distance piece – clutch thrust plate spring	2
9.	57-2547	Clutch lever	1
10.	14-6613	Screw – primary outer cover ($\frac{1}{4}$ " UN.C X $2\frac{1}{4}$ "	2
11.	57-1646	Cap, rubber – clutch cable	1
12.	57-3733	Sealing ring – clutch cable	1
13.	57-1645	Adaptor – clutch cable	1
14.	57-2220	Abutment – clutch cable	1
15.	21-0567	Nut – clutch cable abutment ($\frac{1}{2}$ " UN.C)	1
16.	57-3990	Washer – clutch cable abutment locknut	1
17.	57-2166	Plug – filler	1
18.	70-8782	'O' ring – filler plug	1
19.	14-6611	Screw – outer cover ($\frac{1}{4}$ " UN.C X $1\frac{3}{4}$ "	6
20.	14-6615	Screw – outer cover ($\frac{1}{4}$ " UN.C X 3")	1
21.	57-2259	Plug – tensioner adjusting hole	1
22.	57-3733	'O' ring – tensioner adjusting hole plug	1
23.	14-6504	Screw – primary cover ($\frac{1}{4}$ " UN.C X $\frac{3}{4}$ ", countersunk)	2
24.	71-1455	Gasket – primary chain oiler pipe	1
25.	14-6612	Screw – outer to inner cover ($\frac{1}{4}$ " UN.C X 2")	1
26.	57-2215	Thrust washer – outer cover	1
27.	57-3614	Pivot pin – chain tensioner	1
28.	57-3617	Adjuster – chain tensioner	1
29.	70-9258	Saddle washer – chain tensioner	1
30.	57-3610	Blade – chain tensioner (upper)	1
31.	14-6509	Screw – primary outer cover ($\frac{1}{4}$ " UN.C X $1\frac{3}{4}$ ", countersunk)	1
32.	57-3643	Needle bearing – outer cover (INA SC.228)	1
33.	70-5977	Trunnion – lower tensioner blade	2
34.	70-6061	Blade – chain tensioner (lower)	1
35.	70-9258	Saddle washer – chain tensioner	1
36.	14-1901	Nut – chain tensioner support ($\frac{1}{4}$ " UN.F)	1
37.	57-3987	Washer – chain tensioner support (.251" X .500" X .064")	1
38.	57-3896	Support – chain tensioner	1
39.	57-3983	Tie rod – chain tensioner	1
40.	70-9256	Trunnion – chain tensioner	1
41.	14-6610	Screw – outer cover ($\frac{1}{4}$ " UN.C X $1\frac{1}{2}$ "	1
42.	57-3958	Outer cover – complete assembly	1
43.	57-0989	Dowel – outer cover locating	2
44.	57-0912	Peg – clutch thrust plate	1
45.	57-2465	Clutch thrust plate	1
46.	60-2364	Steel ball ($\frac{1}{4}$ "	3
47.	57-4194	Clip – clutch cable nipple retaining	1
48.	57-3647	Bearing – clutch lever (Hoffmann S5)	1
49.	14-0402	Locknut – clutch pull rod ($\frac{5}{16}$ " UN.F)	1

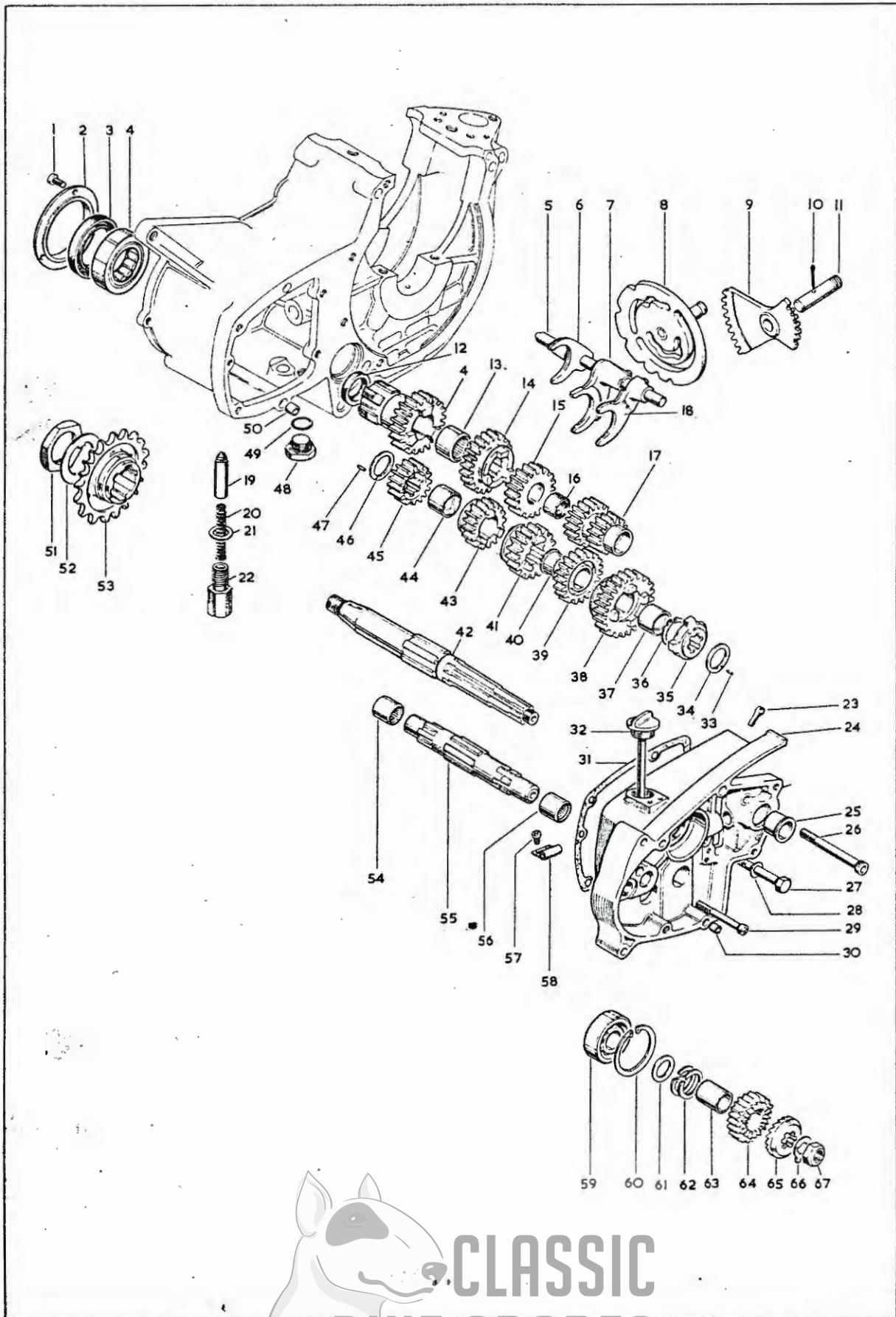


GEARS – SHAFTS – SELECTORS – STARTING MECHANISM

Plate Ref.	Part No.	Description	Per Set
1.	21-2106	Screw – oil seal housing to crankcase	3
2.	57-4394	Oil seal housing – gearbox sprocket	1
3.	60-3510	Oil seal – gearbox sprocket	1
4.*	57-4628	High gear with needle bearing, oil seal and main bearing	1
5.	57-3989	Spindle – selector forks	1
6.	57-4364	Selector fork – mainshaft fourth gear	1
7.	57-4366	Selector fork – layshaft third gear	1
8.	57-4624	Camplate	1
9.	57-4363	Quadrant – gearchange	1
10.	60-1928	Split pin – quadrant spindle	2
11.	57-1896	Spindle – gearchange quadrant	1
12.	60-3500	Oil seal – mainshaft high gear	1
13.	60-3511	Needle bearing – mainshaft high gear	2
14.	57-4376	Gear – mainshaft fourth	1
15.	57-4377	Gear – mainshaft third	1
16.	57-4575	Bush – mainshaft third gear	1
17.	57-4653	Gear – mainshaft first and second	1
18.	57-4660	Selector fork – layshaft first gear	1
19.	57-3660	Plunger – camplate	1
20.	57-4459	Spring – camplate plunger	1
21.	57-3978	Washer, sealing – plunger housing	1
22.	57-4400	Housing – camplate plunger	1
23.	70-8147	Cable clip	1
24.	57-4329	Inner cover – gearbox	1
24.	57-4422	Inner cover, gearbox – complete assembly	1
25.	57-0412	Bush – gear change spindle	1
26.	14-7101	Screw, socket – inner cover to crankcase ($\frac{5}{16}$ " UN.C X $3\frac{1}{4}$ ")	1
27.	14-6121	Bolt – inner cover to crankcase ($\frac{5}{16}$ " UN.C X $2\frac{1}{2}$ ")	1
28.	70-3446	Washer – inner cover to crankcase bolt	1
29.	14-6614	Screw – inner cover to crankcase ($\frac{1}{4}$ " UN.C X $2\frac{1}{2}$ ")	2
30.	57-0989	Dowel, hollow – outer cover locating	2
31.	71-1447	Gasket – inner cover to crankcase	1
32.	57-2656	Dipstick – gearbox	1
33.	57-0912	Peg – layshaft thrust washer	1
34.	57-1607	Thrust washer – layshaft	1
35.	57-4661	Driving dog – layshaft, first gear	1
36.	60-3494	Circlip – layshaft, first gear	1
37.	57-4663	Bush – layshaft, first gear	1
38.	57-4654	Gear – layshaft, first	1
39.	57-4657	Gear – layshaft, second	1
40.	57-4662	Bush – layshaft, second gear	1
41.	57-4647	Gear – layshaft, third	1
42.	57-4370	Mainshaft	1
43.	57-4384	Gear – layshaft, fourth (Supplied only with layshaft complete, 57-4548)	1
44.	57-4576	Bush – layshaft, fourth gear	1
45.	57-4550	Gear – layshaft, high gear (Supplied only with layshaft complete, 57-4548)	1
46.	57-1607	Thrust washer layshaft	1
47.	57-0912	Peg – layshaft thrust washer	1
48.	21-1872	Drain plug – gearbox	1
49.	70-8896	'O' ring – drain plug	1

* Individual parts although illustrated for information, are not supplied separately, except for Needle bearing 60-3511 and Oil seal 60-3500.

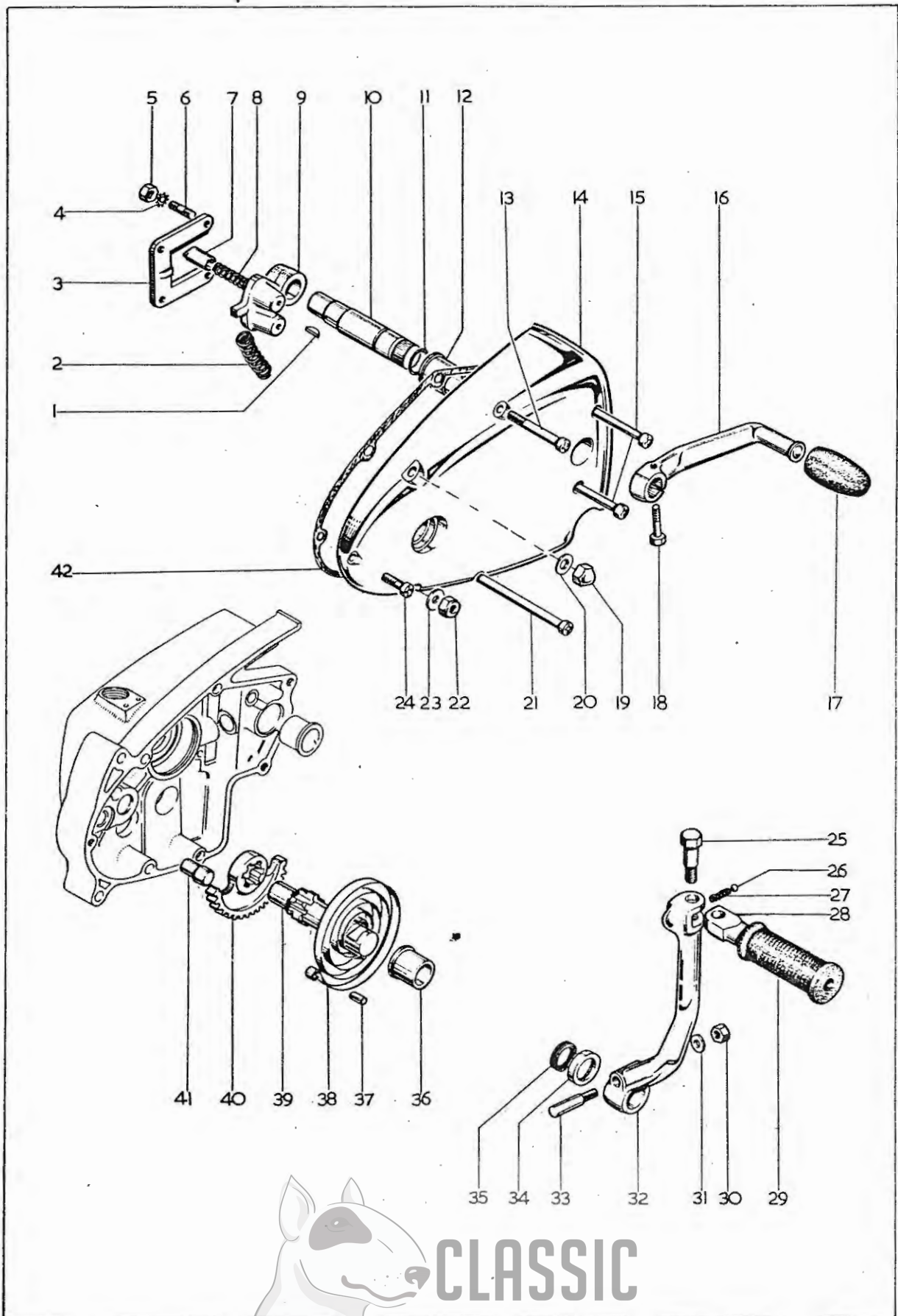
GEARS - SHAFTS - SELECTORS - STARTING MECHANISM



GEARS – SHAFTS – SELECTORS – STARTING MECHANISM

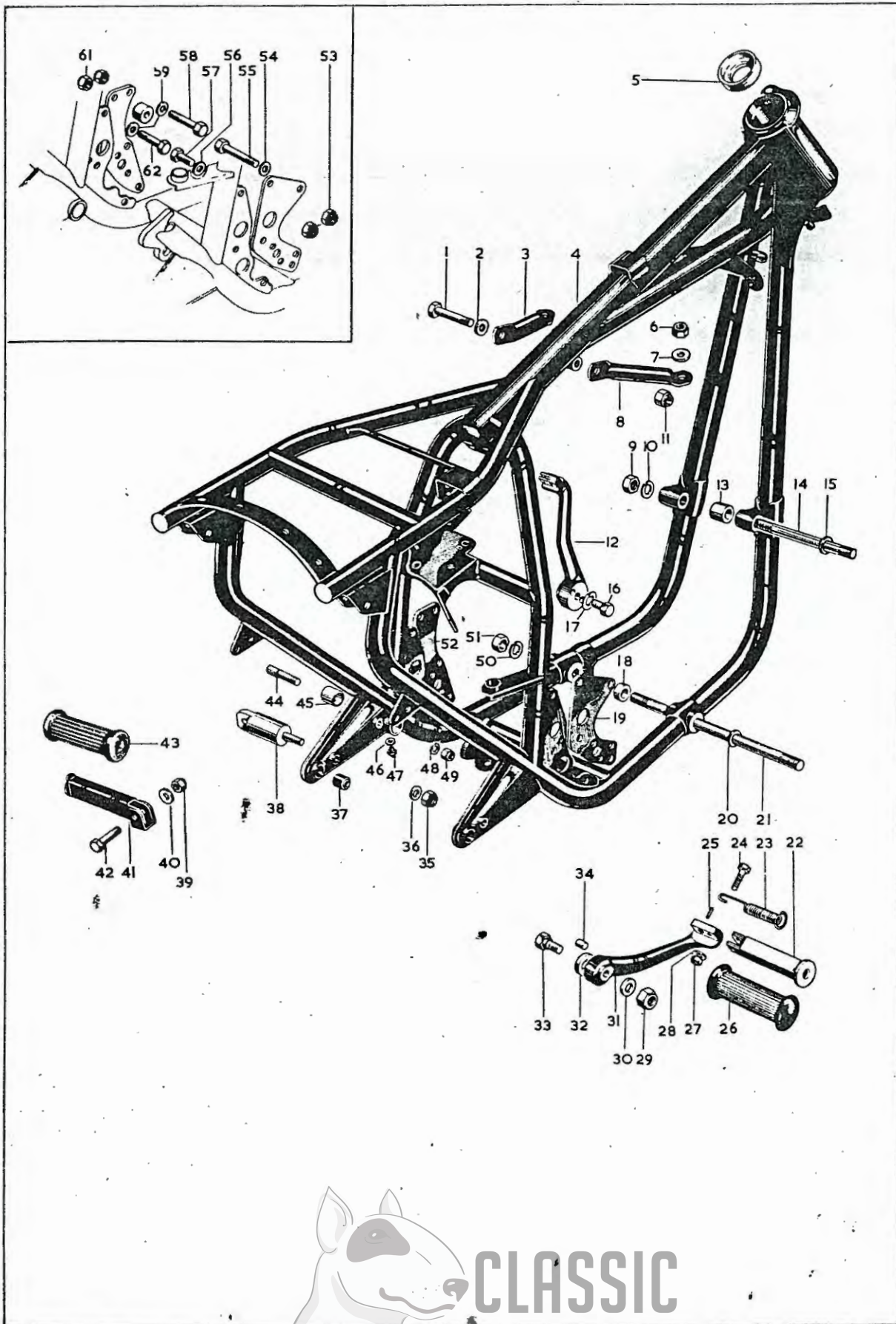
Plate Ref.	Part No.	Description	Per Set
50.	57-0989	Dowell, hollow – gearbox inner cover locating	2
51.	57-4396	Nut – gearbox sprocket	1
52.	57-4395	Lockwasher – gearbox sprocket nut	1
53.	57-4398	Sprocket – gearbox final drive (18T)	1
54.	57-1606	Needle bearing – layshaft (Torrington M.11121)	1
55.	57-4548	Layshaft, with fourth and high gears	1
55.	57-4549	Layshaft. (Supplied only with layshaft complete, 57-4548)	1
56.	57-1614	Needle bearing – layshaft, inner cover (Torrington B.1112)	1
57.	21-1862	Screw (“Taptite”) – cable fastener	2
58.	70-9327	Cable fastener – alternator leads	1
59.	60-3552	Bearing, mainshaft – inner cover	1
60.	57-4113	Circlip – mainshaft bearing	1
61.	57-1962	Washer – kickstart pinion sleeve	1
62.	57-1250	Spring washer – kickstart ratchet	1
63.	57-1963	Sleeve – kickstart pinion	1
64.	57-0730	Pinion – kickstart	1
65.	57-0731	Ratchet – kickstart	1
66.	57-2240	Lockwasher – mainshaft nut	1
67.	21-0594	Nut – mainshaft, kickstart mechanism	1





GEARBOX COVER – GEARCHANGE – KICKSTART CRANK

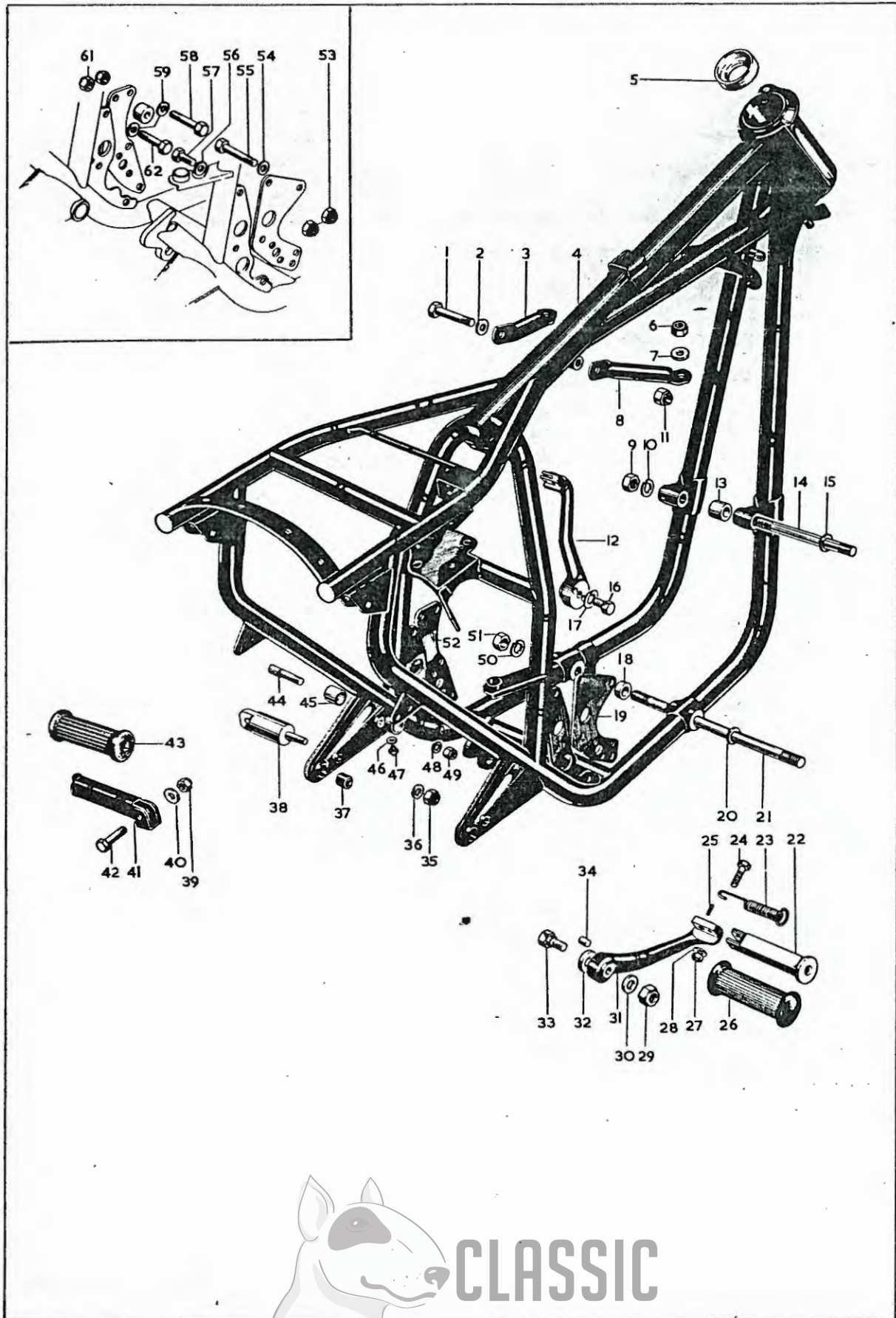
Plate Ref.	Part No.	Description	Per Set
1.	71-0037	Key – quadrant to spindle	1
2.	57-0404	Spring – footchange pedal return	2
3.	57-0407	Plate – gear control guide	1
4.	82-9041	Washer – shakeproof, guide plate nut	4
5.	14-0301	Nut – gear control guide plate stud ($\frac{1}{4}$ " UN.F)	4
6.	21-0547	Stud – gear control guide plate ($\frac{1}{4}$ " UN.C/UN.F X $\frac{7}{8}$ ")	4
7.	57-4403	Plunger – gearchange quadrant	2
8.	57-0405	Spring – gearchange quadrant	2
9.	57-4374	Quadrant – gearchange plunger	1
10.	57-4445	Spindle – gearchange quadrant	1
11.	60-3530	'O' ring – gearchange quadrant spindle	1
12.	57-3759	Bush – outer cover, gearchange quadrant spindle	1
13.	14-6613	Screw – outer to inner cover ($\frac{1}{4}$ " UN.C X $2\frac{3}{4}$ ")	1
14.	57-2737	Outer cover – gearbox, with oil seal, bushes and studs	1
15.	14-6615	Screw – outer to inner cover ($\frac{1}{4}$ " UN.C X 3")	2
16.	57-3757	Pedal – gearchange	1
17.	57-2648	Rubber – gearchange pedal	1
18.	14-0201	Bolt – gearchange pedal clamping ($\frac{1}{4}$ " UN.F X 1")	1
19.	21-0544	Nut – domed, outer cover stud, top ($\frac{5}{16}$ " UN.F)	1
20.	54-0055	Washer – outer cover domed nut (.344" X .625" X .063")	1
21.	21-2139	Screw – outer cover to crankcase ($\frac{1}{4}$ " UN.C X $5\frac{3}{8}$ ")	1
22.	14-1302	Nut – outer cover bottom stud ($\frac{5}{16}$ " UN.F)	1
23.	21-0025	Washer – outer cover bottom stud (.344" X .625" X .063")	1
24.	14-6608	Screw – outer to inner cover ($\frac{1}{4}$ " UN.C X 1")	1
25.	21-0541	Bolt – kickstart pedal pivot	1
26.	60-2364	Steel ball – kickstart folding pedal ($\frac{1}{4}$ " diameter)	1
27.	57-1167	Spring – kickstart folding pedal	1
28.	57-1272	Folding pedal – kickstart crank	1
29.	57-2330	Rubber – kickstart pedal	1
30.	14-1301	Nut – kickstart crank cotter ($\frac{1}{4}$ " UN.F)	1
31.	60-2320	Washer – kickstart crank cotter (.270" X .562" X .056")	1
32.	57-2653	Kickstart crank	1
32.	57-3721	Kickstart crank – complete assembly	1
33.	57-4357	Cotter – kickstart crank	1
34.	57-1955	Oil seal housing – kickstart crank	1
35.	57-1956	Oil seal – kickstart crank	1
36.	57-0023	Bush – kickstart shaft	1
37.	57-0047	Anchor pin – kickstart return spring	1
38.	57-0031	Spring – kickstart return	1
39.	57-0024	Spindle – kickstart quadrant	} Assembly, 57-2297
40.	57-4117	Kickstart quadrant	
40.	57-2297	Kickstart quadrant and spindle	1
41.	57-0045	Stop peg – kickstart quadrant	1
42.	71-1450	Gasket – inner to outer cover	1



FRAME AND FITTINGS

Plate Ref.	Part No.	Description	Per Set
1.	14-0237	Bolt - stead stay to frame ($\frac{3}{8}$ " UN.F X $2\frac{1}{2}$ ")	1
2.	70-8084	Washer - stead stay to frame	1
3.	82-9378	Steady stay, left	1
4.	83-3450	Frame complete	1
5.	97-0987	Cup - steering head	2
6.	14-1303	Nut - stead stay to cylinder head ($\frac{5}{16}$ " UN.F)	2
7.	60-2322	Washer - steady stay to cylinder head ($\cdot 333$ " X $\cdot 625$ " X $\cdot 072$ ")	2
8.	82-9379	Steady stay, right	1
9.	14-0304	Nut - front engine mounting stud ($\frac{7}{16}$ " UN.F)	2
10.	82-9034	Washer, spring - front engine mounting stud ($\cdot 440$ " X $\cdot 875$ " X $\cdot 064$ ")	2
11.	14-1903	Nut - steady stay to frame ($\frac{3}{8}$ " UN.F)	1
12.	83-3750	Footrest and hanger assembly, left	1
12.	83-3725	Footrest hanger - left	1
13.	82-8508	Spacer - front engine mounting stud	1
14.*	21-2211	Bolt - engine mounting, front ($\frac{7}{16}$ " UN.F X $6\frac{5}{8}$ ")	1
15.	37-2330	Washer - front engine mounting stud	2
16.	14-0145	Bolt - footrest, left ($\frac{1}{2}$ " UN.F X 1 ")	1
17.	03-0107	Washer, spring - footrest bolt	1
18.	82-8510	Spacer - bottom engine stud	1
19.	82-9642	Engine plate - right	1
20.	37-2330	Washer - bottom engine mounting stud	2
21.*	21-2212	Bolt - engine mounting, bottom ($\frac{7}{16}$ " UN.F X $10\frac{1}{2}$ ")	1
22.	83-3092	Footrest	2
23.	83-3095	Spring - footrest	2
24.	21-0512	Bolt - footrest pivot ($\frac{5}{16}$ " UN.F X $1\frac{1}{4}$ ")	2
25.	83-3094	Anchor pin - footrest spring	2
26.	82-9051	Footrest rubber	2
27.	14-1302	Nut - footrest pivot bolt ($\frac{5}{16}$ " UN.F)	2
28.	60-2321	Washer - footrest pivot bolt ($\cdot 333$ " X $\cdot 625$ " X $\cdot 072$ ")	2
29.	14-1305	Nut - footrest hanger ($\frac{1}{2}$ " UN.F)	1
30.	82-5679	Washer - footrest hanger bolt ($\cdot 501$ " X $\cdot 812$ " X $\cdot 092$ ")	1
31.	83-3140	Footrest hanger - right	1
31.	83-3139	Footrest and hanger assembly, right	1
32.	83-3602	Collar - footrest bolt, right	1
33.	14-0260	Bolt, footrest - right	1
34.	82-5943	Peg, footrest - right and left	4
35.	14-1303	Locknut - rear footrest anchor bolt ($\frac{3}{8}$ " UN.F)	2
36.	60-2322	Washer - rear footrest anchor bolt ($\cdot 395$ " X $\cdot 750$ " X $\cdot 072$ ")	2
37.	82-9652	Mounting rubber - rear footrest, left	1
38.	82-9653	Hanger bolt - rear footrest, left	1
39.	14-1302	Nut - rear footrest swivel bolt ($\frac{5}{16}$ " UN.F)	2
40.	60-2330	Washer - swivel bolt	2
41.	82-9053	Rear footrest - left and right	2
42.	14-0217	Swivel bolt - rear footrest ($\frac{5}{16}$ " UN.F X $1\frac{1}{4}$ ")	2
43.	82-9054	Rubber - rear footrest	2
44.	83-3987	Stop peg, brake pedal	1
45.	82-8918	Bush - brake pedal	1
46.	24-1088	Washer, fibre - grease nipple	1
47.	60-1841	Grease nipple - brake pedal boss	1
48.	60-2330	Washer - stop peg ($\cdot 333$ " X $\cdot 625$ " X $\cdot 040$ ")	1

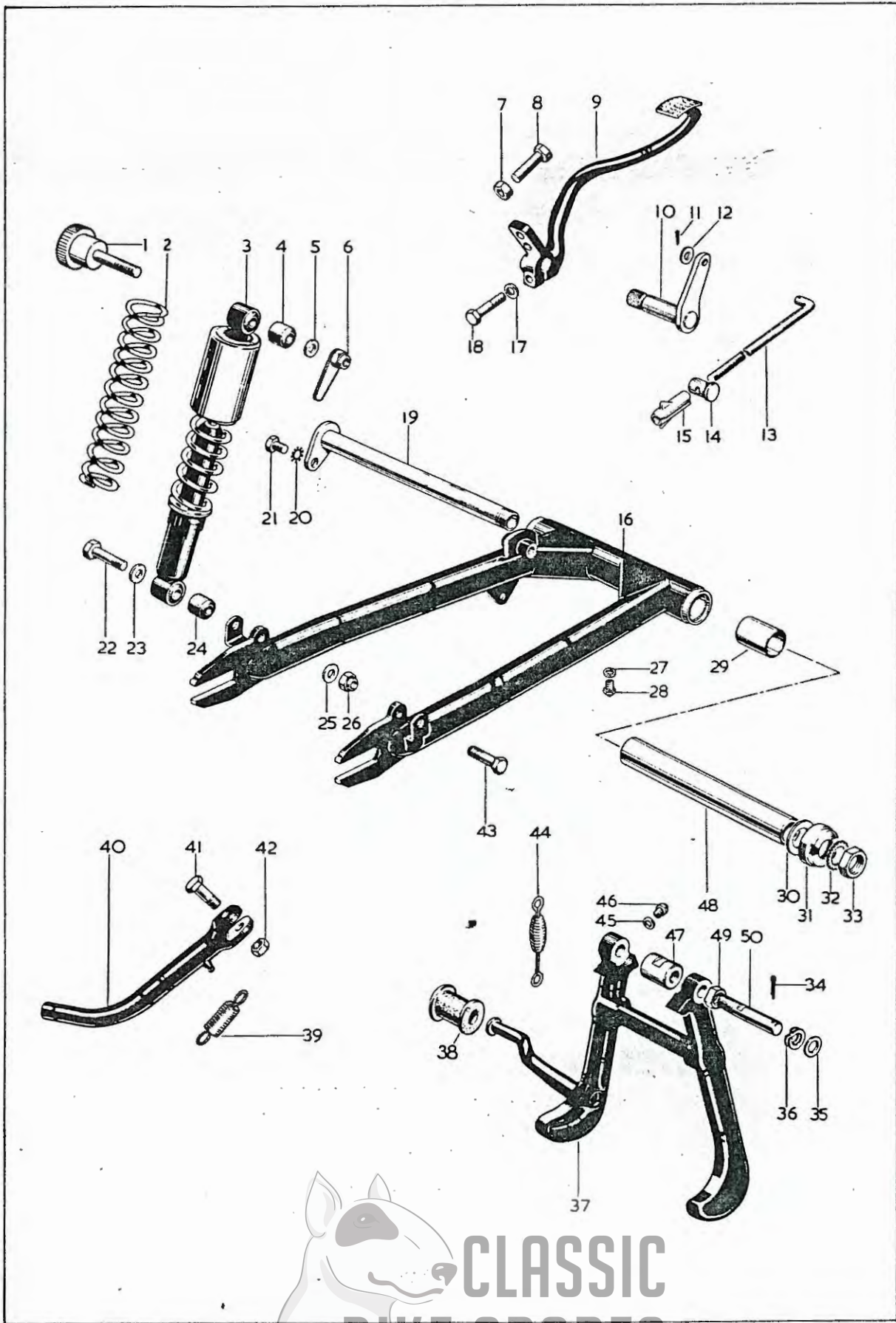
* Special Material: - Item 14 - EN16T, Item 21 - EN16T



FRAME AND FITTINGS

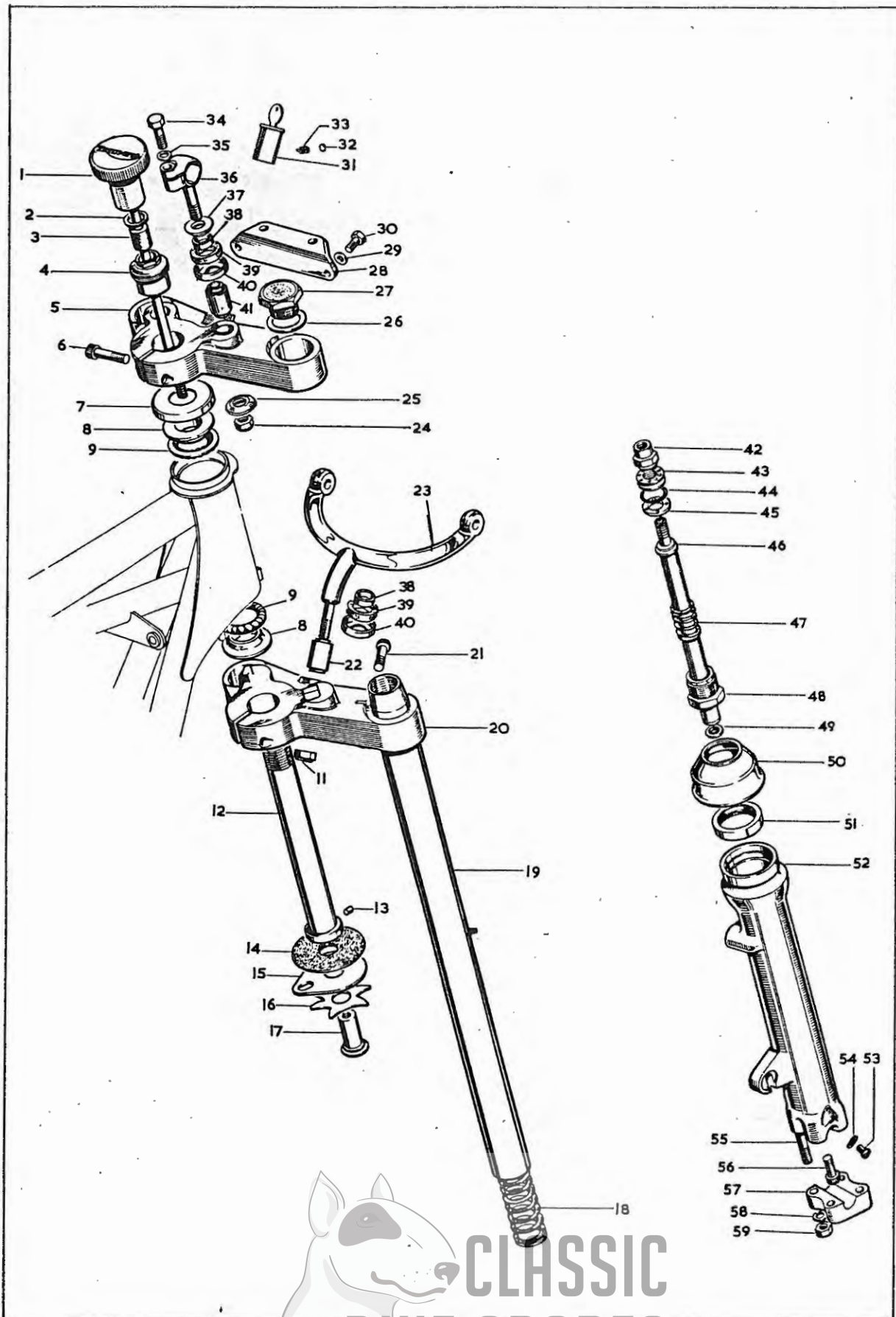
Plate Ref.	Part No.	Description	Per Set
49.	14-1302	Nut – stop peg (5/16" UN.F)	1
50.	82-9034	Washer, spring – bottom engine stud	2
51.	14-0304	Nut – bottom engine mounting stud (7/16" UN.F)	1
52.	83-5017	Engine plate – left	1
53.	14-1302	Nut – engine plate bolts (5/16" UN.F)	5
54.	70-8088	Washer – engine plate bolt (.317" X .625" X .064")	4
55.	14-0221	Bolt – engine plate, right (5/16" UN.F 2")	2
56.	70-8088	Washer – engine plate bolt (.317" X .625" X .064")	6
57.	14-0115	Bolt – engine plate, right (5/16" UN.F X 7/8")	3
58.	14-0220	Bolt – engine plate, left (5/16" UN.F X 1 3/4")	2
59.	70-8088	Washer – engine plate bolt	10
61.	14-1302	Nut – engine plate bolt (5/16" UN.F)	5
62.	14-0218	Bolt – engine plate, left (5/16" UN.F X 1 3/8")	3
Not Illus.	83-5018	Spacer – steady stay, left	1





SWINGING ARM – CENTRE STAND – REAR BRAKE CONTROL

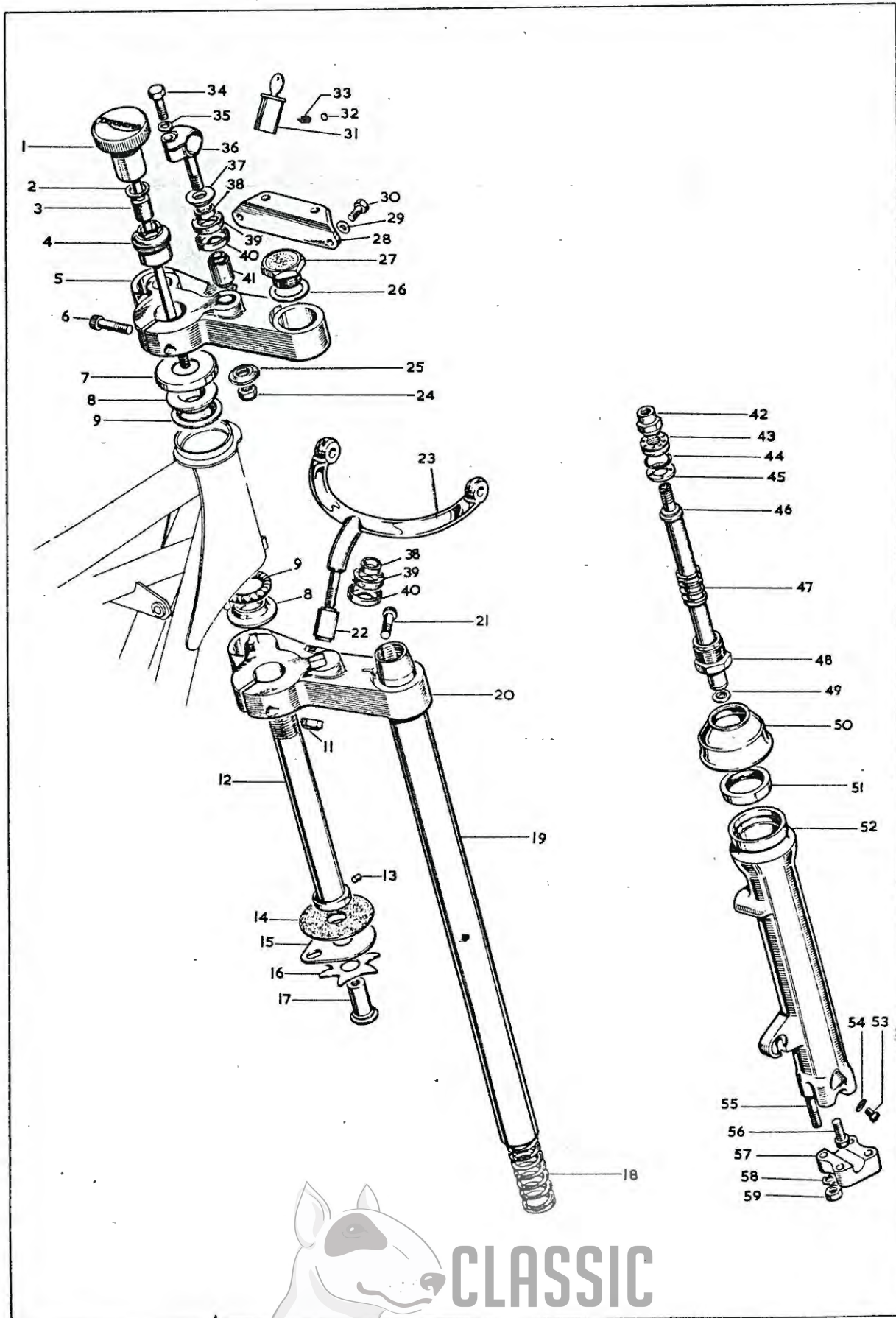
Plate Ref.	Part No.	Description	Per Set
1.	83-3708	Handwheel	2
2.	19-7477	Spring – rear suspension unit (Girling 64544235)	2
3.	19-7478	Rear suspension unit (Girling 64052510)	2
4.	19-5305	Bush – suspension unit – top (Girling 64533645)	2
5.	70-8084	Washer – suspension unit mounting top (.380" X .750" X .064")	2
6.	83-3468	Nut – suspension unit, and Dualseat mounting, top (3/8" UN.F)	2
7.	14-0401	Nut – brake pedal stop and stop switch adjuster (1/4" UN.F)	2
8.	14-0106	Bolt – brake pedal stop switch adjuster (1/4" UN.F X 1 1/4")	2
9.	83-1797	Pedal – rear brake	1
10.	82-3665	Shaft – brake pedal operating	1
11.	60-2683	Split pin – brake rod (1/16" X 3/8")	1
12.	40-2705	Plain washer – brake rod (.265" X .468" X .064")	1
13.	83-1752	Brake rod	1
14.	37-1467	Pivot pin – brake rod	1
15.	82-7387	Adjuster nut – brake rod	1
16.	83-3243	Swinging arm with bushes	1
17.	82-8981	Washer – brake pedal pinch bolt	1
18.	14-0217	Bolt – brake pedal pinch bolt (5/16" UN.F X 1 1/4")	1
19.	82-8468	Spindle – swinging arm	1
20.	36-0382	Washer – spring, spindle locking plate (5/16")	1
21.	4-0113	Bolt – spindle locking plate (5/16" UN.F X 5/8")	1
22.	14-0235	Bolt – suspension unit bottom mounting, left (3/8" UN.F X 2")	1
23.	70-8084	Washer – suspension unit mounting, bottom (.380" X .750" X .064")	2
24.	19-5305	Bush – suspension unit, bottom (Girling 64533645)	2
25.	70-8084	Washer – suspension unit mounting, bottom	2
26.	14-1303	Nut – suspension unit mounting, bottom (3/8" UN.F)	2
27.	24-1088	Washer – fibre, grease nipple	1
28.	60-1841	Grease nipple – swinging arm	1
29.	82-8475	Bush – swinging arm	2
30.	82-8478	Thrust bearing – swinging arm	2
31.	82-8477	Dust cap – swinging arm bearing	2
32.	82-8996	Shakeproof washer	1
33.	21-0755	Nut – swinging arm spindle (13/16" UN.F)	1
34.	60-2723	Split pin – centre stand spindle (3/32" X 7/8")	2
35.	15-0039	Plain washer – centre stand spindle	2
36.	03-1346	Spring washer – centre stand spindle (.531" X .875" X .040" double)	2
37.	83-4681	Centre stand	1
38.	57-2331	Rubber – centre stand pedal	1
39.	82-8382	Spring – prop stand return	1
40.	83-1515	Prop stand	1
41.	21-0769	Bolt – prop stand pivot (7/16" UN.F X 1 5/16")	1
42.	14-0404	Locknut – prop stand bolt (7/16" UN.F)	1
43.	14-0235	Bolt – suspension unit bottom mounting right (3/8" UN.F X 2")	1
44.	83-2896	Spring – centre stand return	1
45.	71-2501	Washer – fibre, centre stand grease nipple	2
46.	60-1841	Grease nipple – centre stand	2
47.	82-8582	Coupling – centre stand pivot	1
48.	82-8476	Distance tube – swinging arm	1
49.	14-0405	Nut – centre stand pivot (1/2" UN.F)	2
50.	83-1535	Pivot bar – centre stand	2



FRONT FORK

Plate Ref.	Part No.	Description	Per Set
	97-4182	Front fork – complete assembly	1
1.	97-3602	Steering damper control rod assembly	1
2.	97-0565	Abutment washer – steering damper rod	1
3.	97-1618	Rubber bush – steering damper rod	1
4.	97-2108	Nut – steering head adjustment	1
5.	97-4189	Top yoke complete	1
6.	14-7007	Pinch bolt – top and bottom yokes ($\frac{1}{4}$ " UN.F X $1\frac{1}{4}$ ")	4
7.	97-4327	Dust cover – top	1
8.	97-4326	Cone – steering head bearing	2
9.	97-4034	Ballrace – steering head bearing	2
11.	14-1303	Nut – headlamp bracket mounting ($\frac{3}{8}$ " UN.F, self-locking)	1
12.	97-4185	Steering stem	1
13.	97-4188	Peg – steering stem	1
14.	97-0435	Friction disc – steering damper	1
15.	97-3865	Anchor plate – steering damper	1
16.	97-0095	Spring plate – steering damper	1
17.	97-4257	Adjustment sleeve – steering damper	1
18.	97-4475*	Main spring	2
19.	97-4193	Stanchion	2
20.	97-4183	Bottom yoke	1
21.	14-7036	Pinch bolt – bottom yoke at stanchions ($\frac{3}{8}$ " UN.F X $1\frac{3}{4}$ ")	2
22.	60-3438	Metalastik bush – headlamp mounting	1
23.	97-4195	Bracket – headlamp mounting	1
24.	14-1303	Nut handlebar clamp fixing ($\frac{3}{8}$ " UN.F)	2
25.	97-1529	Washer – handlebar clamp fixing, chamfered	2
26.	97-4166	Washer – fork cap nut	2
27.	97-4309	Fork top nut	2
28.	97-4192	Bracket – instrument mounting	2
29.	01-6033	Washer – instrument mounting bracket fixing (.255" X .937" X .040")	2
30.	14-0103	Bolt, instrument mounting bracket fixing ($\frac{1}{4}$ " UN.F X $\frac{3}{4}$ ")	2
31.	82-6738	Steering lock and keys (see also page 8)	1
32.	97-2266	Sealing cap – steering lock grub screw	1
33.	21-0578	Grub screw – steering lock location	1
34.	21-0589	Bolt – handlebar clamp ($\frac{5}{16}$ " UN.F X $1\frac{1}{8}$ ")	2
35.	82-1335	Washer – handlebar clamp bolt (.265" X .531" X .125")	2
36.	97-2291	Clamp – handlebar	2
37.	97-1529	Washer – handlebar clamp fixing, chamfered	2
38.	97-1581	Distance piece – handlebar	2
38.	97-4497	Distance piece – lamp mounting	1
39.	97-1580	Washer rubber – lamp mounting and handlebar	3
40.	97-2221	Cup, rubber washer – handlebar	2
40.	97-4496	Cup, rubber washer – lamp mounting	1
42.	97-4244	Nut – damper valve	2
43.	97-4020	Valve – damper	2
44.	97-4003	'O' ring – damper valve	2
45.	97-4010	Washer – damper	2
46.	97-4242	Damper tube	2
47.	97-4009	Recoil spring	2
48.	97-4076	Stanchion end plug	2

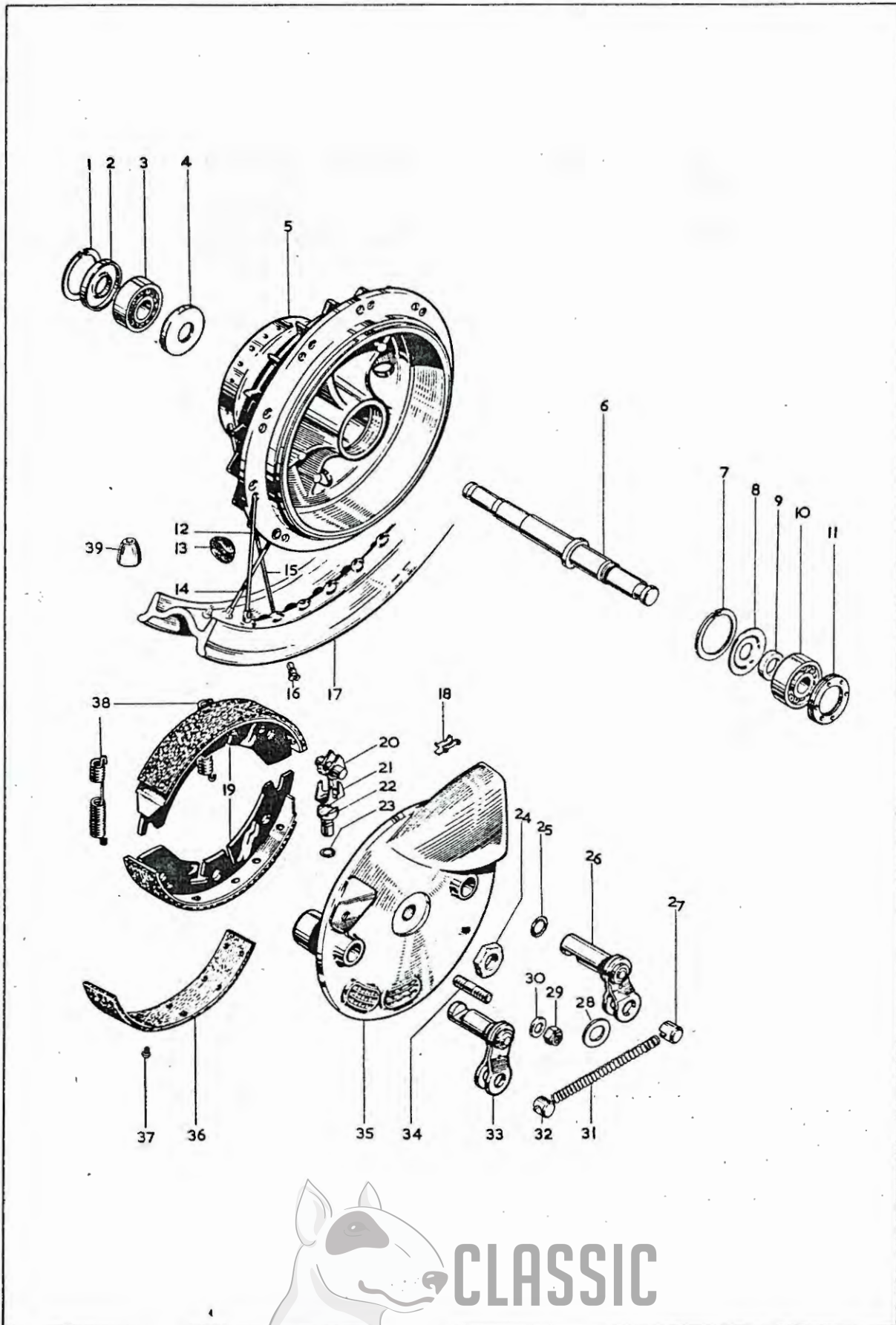
* Must always be fitted in pairs



FRONT FORK

Plate Ref.	Part No.	Description	Per Set
49.	97-4004	Dowty seal – damper tube	2
50.	97-4002	Scraper sleeve – outer member	2
51.	97-4001	Oil seal – outer member	2
52.	97-4033	Outer member – left, complete	1
52.	97-4085	Outer member – right, complete	1
53.	97-3894	Drain plug – outer member (2 BA X 21/64")	2
54.	97-3893	Washer – drain plug	2
55.	21-2102	Stud – fork end cap	8
56.	14-1019	Screw – damper tube retaining (5/16" UN.F X 7/8")	2
57.	97-3947	Fork end cap	2
58.	60-2428	Washer – spring, end cap fixing (.344" X .600" X .064")	8
59.	14-0302	Nut – end cap fixing (5/16" UN.F)	8

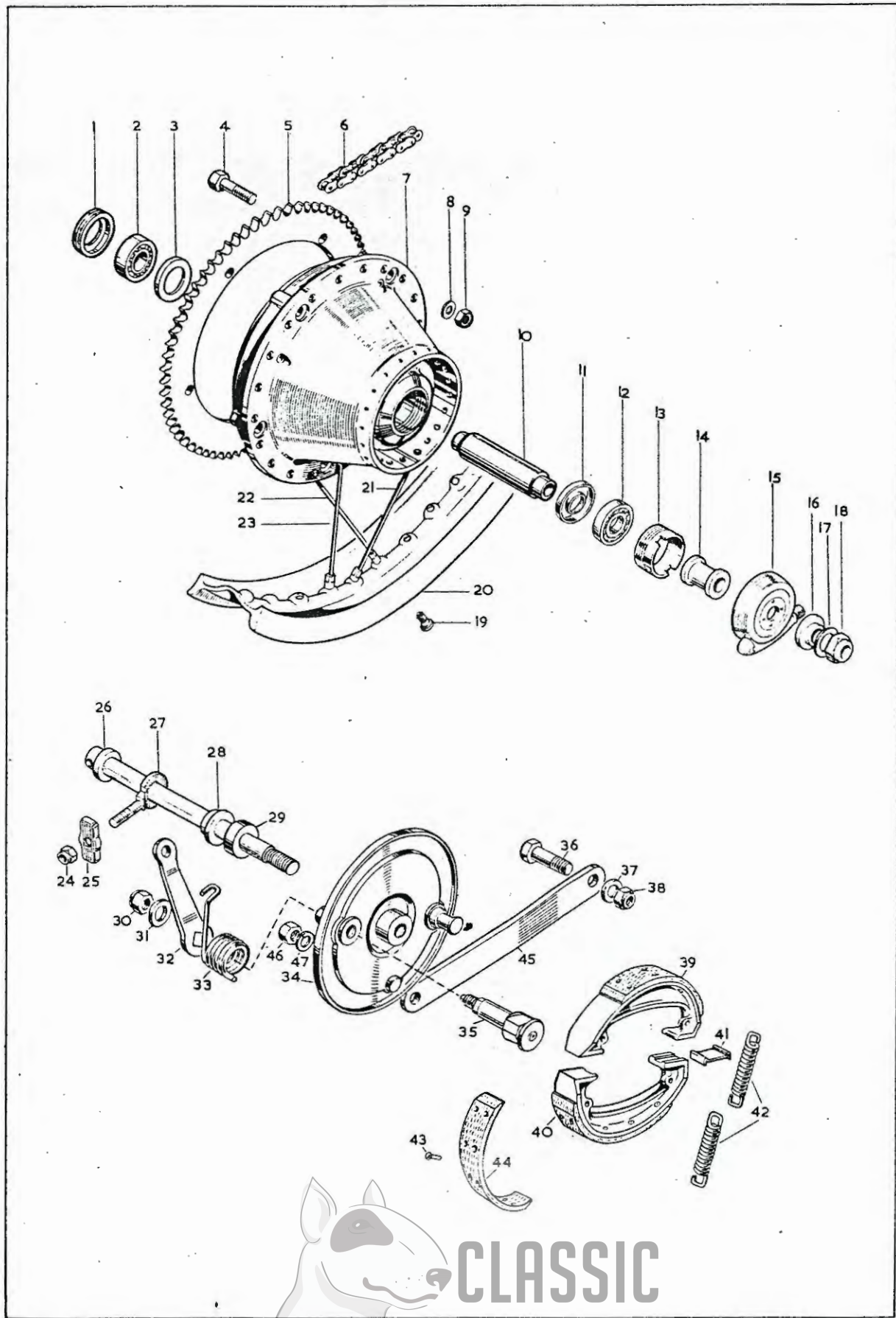




FRONT WHEEL

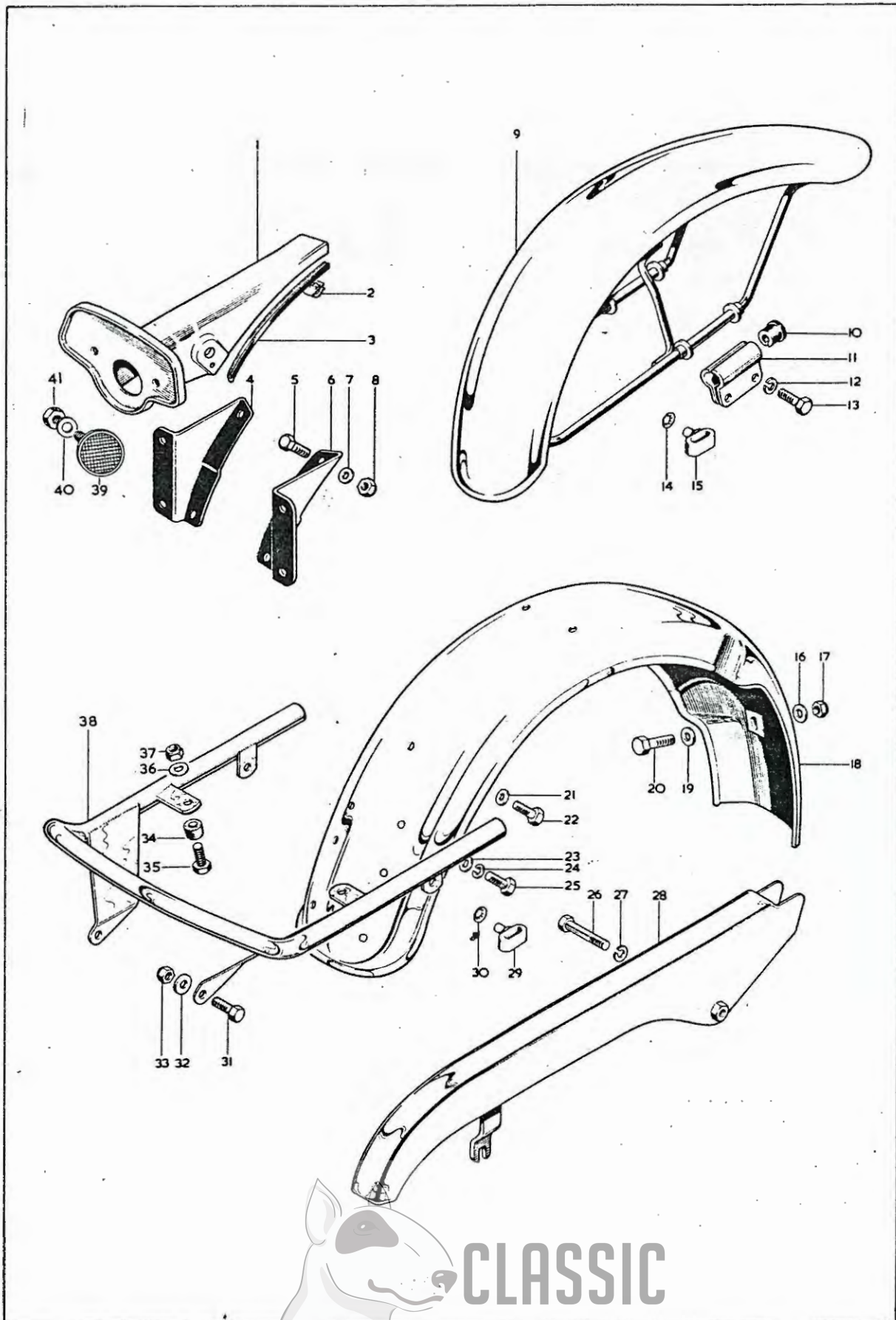
Plate Ref.	Part No.	Description	Per Set
	37-3944	Front wheel with spindle and bearings	1
1.	57-0280	Circlip - grease retainer (left)	1
2.	37-1237	Grease retainer - outer (left)	1
3.	37-0653	Bearing (Hoffmann 120)	1
4.	37-1481	Grease retainer - inner (left)	1
5.	37-3848	Hub complete with spindle and bearings	1
6.	37-3796	Spindle	1
7.	60-2632	Circlip - grease retainer (right)	1
8.	37-3797	Grease retainer - right	1
9.	37-3932	Distance piece - inner side of right bearing	1
10.	37-0653	Bearing (Hoffmann 120)	1
11.	37-3759	Locking ring	1
12.	37-3819	Spoke - right (outer)	10
13.	60-3669	Grommet - brake drum	1
14.	37-3820	Spoke - right (inner)	10
15.	37-3821	Spoke - left	20
16.	37-2294	Spoke nipple	40
17.	37-3919	Wheel rim (WM2 X 19) Alloy	1
18.	37-3717	Abutment - micram adjuster (Lockheed 25241)	1
19.	37-3713	Brake shoe complete (Lockheed 4523-166)	2
20.	37-3716	Micram adjuster (Lockheed 3135-514)	2
21.	37-3715	Cage - brake adjustment (Lockheed 25253)	2
22.	37-3762	Tappet - brake cam	2
23.	37-2761	'O' ring - brake tappet	2
24.	37-2058	Locking nut - wheel spindle	1
25.	60-2639	'O' ring - brake cam	2
26.	37-3987	Brake lever - front	2
27.	37-3997	Bush - front brake cable nipple	1
28.	71-2500	Washer - cable bush and abutment (.578" X .375" X .064")	2
29.	14-1303	Nut - anchor plate stud (3/8" UN.F)	1
30.	60-2340	Washer - anchor plate stud	1
31.	37-4014	Spring - brake lever return, at brake cable	1
32.	37-3996	Bush - front brake cable abutment	1
33.	37-3986	Brake lever - rear	1
34.	14-1635	Stud - anchor plate to fork (3/8" UN.C/UN.F X 1 3/4")	1
35.	37-4174	Brake anchor plate with brake	1
35.	37-3971	Brake anchor plate	1
36.	19-7466	Lining - brake shoe	2
37.	19-7467	Rivet - brake shoe	20
38.	37-3714	Spring - brake shoe (Lockheed 102951)	2
39.	37-1197	Balance weight - short	as reqd
39.	37-1198	Balance weight - long	as reqd





REAR WHEEL

Plate Ref.	Part No.	Description	Per Set
	37-4102	Rearwheel with spindle, less brake	1
1.	37-4181	Locking ring - left	1
2.	37-0653	Bearing - left (Hoffmann 120)	1
3.	37-3749	Support ring - left	1
4.	14-0207	Bolt - sprocket to hub ($\frac{1}{4}$ " UN.F X 2")	5
5.	37-3903	Sprocket - 53 teeth	1
6.	60-2016	Chain - rear ($\frac{5}{8}$ " X $\frac{3}{8}$ " X 108 Pitches)	1
7.	37-3982	Hub with spindle and bearings	1
8.	60-2320	Washer - sprocket to hub bolt (.270" X .562" X .056")	5
9.	14-1301	Nut - sprocket to hub bolt ($\frac{1}{4}$ " UN.F)	5
10.	37-3753	Bearing spacer tube	1
11.	37-1654	Grease retainer - right	1
12.	37-0653	Bearing - right (Hoffmann 120)	1
13.	37-3751	Ring - speedo driving	1
14.	37-3750	Distance piece, inner - speedometer drive	1
15.	60-3213	Speedometer drive gear 'D' (Smiths BG3550/164)	1
16.	37-3976	Distance piece - spindle, right	1
17.	83-2266	Washer - wheel spindle nut (.656" X 1" X .093")	1
18.	14-1307	Nut - wheel spindle ($\frac{5}{8}$ " UN.F)	1
19.	37-2294	Spoke nipple	40
20.	37-3940	Rim - alloy (WM3X18)	1
21.	37-3726	Spoke - right	20
22.	37-3725	Spoke - left (outer)	10
23.	37-3724	Spoke - left (inner)	10
24.	14-1902	Nut - chain adjuster ($\frac{5}{16}$ " UN.F)	2
25.	37-1015	End plate - chain adjuster, left	1
25.	37-3961	End plate - chain adjuster, right	1
26.	37-3980	Spindle	1
27.	37-3919	Chain adjuster	2
28.	37-3901	Distance piece - spindle, left	1
29.	37-4119	Wheel spacer	1
30.	14-1303	Nut - brake lever ($\frac{3}{8}$ " UN.F)	1
31.	37-2027	Washer - brake lever nut (.531" X 1.031" X .092")	1
32.	37-2015	Brake lever	1
33.	37-1090	Spring - brake lever return	1
34.	37-4112	Brake anchor plate	1
34.	37-4113	Brake anchor plate complete with shoes	1
35.	37-4110	Cam - brake shoe	1
36.	14-0133	Bolt - torque stay to swinging arm ($\frac{7}{16}$ " UN.F X 1")	1
37.	37-2330	Washer - torque stay to swinging arm	1
38.	14-1304	Nut - torque stay to swinging arm ($\frac{7}{16}$ " UN.F)	1
39.	37-4124	Brake shoe - leading	1
40.	37-3926	Brake shoe - trailing	1
41.	37-4071	Pivot pad - brake shoe	2
42.	37-2328	Spring - brake shoe	2
43.	42-5840	Rivet - lining to shoe	16
44.	37-3876	Brake lining	2
45.	83-4893	Torque stay	1
46.	14-1304	Nut - torque stay to brake pivot ($\frac{7}{16}$ " UN.F)	1
47.	99-0046	Washer, spring torque stay to brake pivot	1
Not	37-4180	Spacer - for left side locking ring	1
Illus.	60-2335	Washer - left side bearing	1



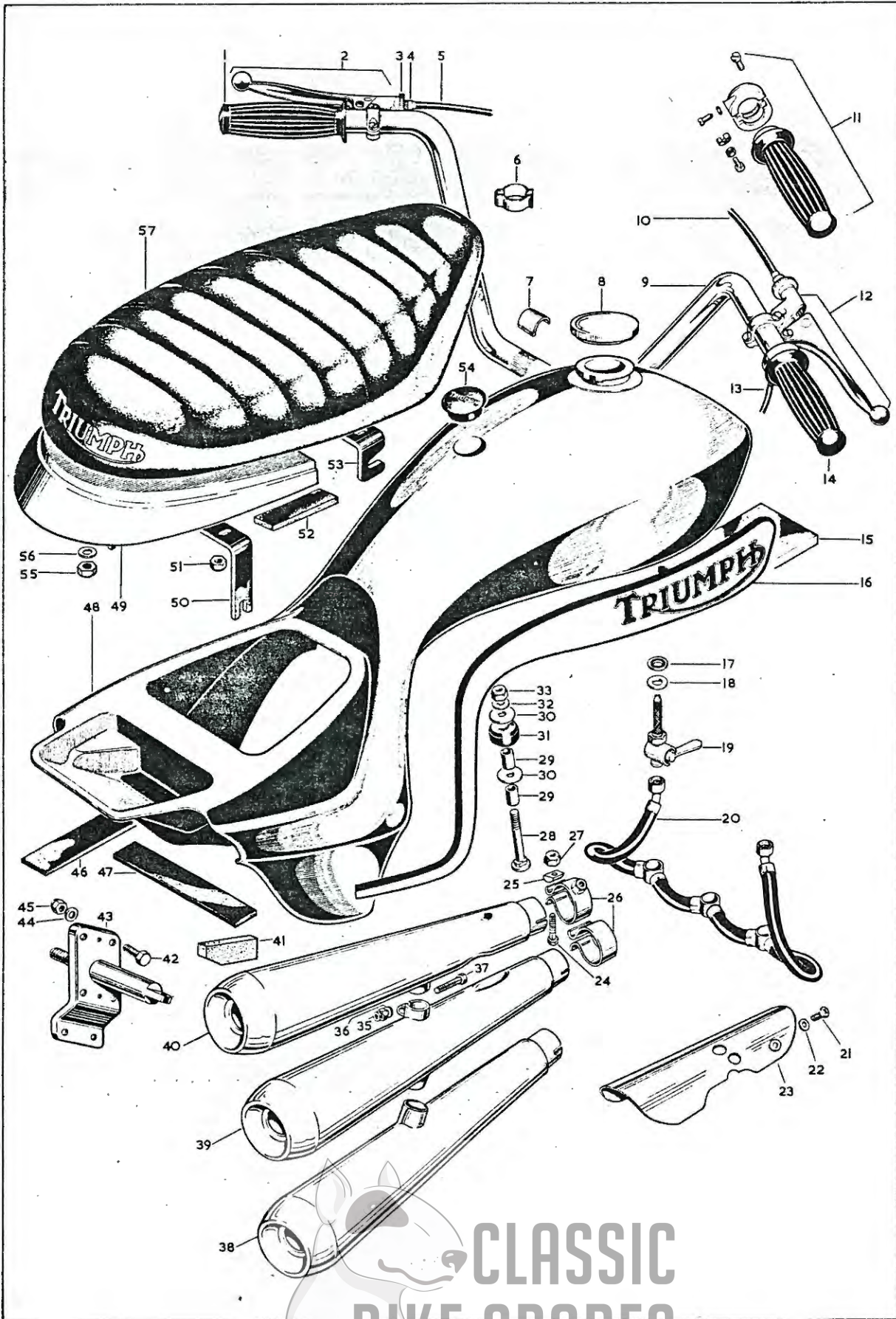
 **CLASSIC
BIKE SPARES**

MUDGUARDS AND CHAINGUARD

Plate Ref.	Part No.	Description	Per Set
1.	83-3596	Housing - rear lamp	1
2.	60-3313	Spire nut	1
3.	83-3212	Beading - rear lamphousing	2
4.	83-2727	Bracket - rear number plate, left	1
5.	14-0101	Bolt - rear number plate bracket (1/4" UN.F X 1/2")	4
6.	83-2728	Bracket - rear number plate right	1
7.	60-2338	Washer - rear number plate bracket (.270" X .626" X .056")	4
8.	14-0301	Nut - rear number plate bracket (1/4" UN.F)	4
9.	97-4270	Front mudguard	1
10.	97-4021	Rubber bush - front mudguard mounting	4
11.	97-4022	Bracket - front mudguard mounting	4
12.	60-2427	Washer - spring, front mudguard mounting (.465" X .281" X .064")	4
13.	14-0103	Bolt - front mudguard mounting (1 1/4" UN.F X 3/4")	4
14.	82-8245	Star lockwasher - cable retainer	1
15.	97-2270	Retainer - front brake cable	1
	97-3682*	Bracket - front brake cable retainer, at fork bottom yoke	1
		} Assembly 97-4479	
16.	60-2330	Washer - rear mudguard fixing (.333" X .625" X .040")	4
17.	14-1302	Nut - rear mudguard fixing (5/16" UN.F)	4
18.	83-3472	Rear mudguard	1
19.	60-2330	Washer - rear mudguard fixing (.333" .615" X .040")	4
20.	14-0113	Bolt - rear mudguard fixing (5/16" UN.F X 5/8")	4
21.	60-2320	Washer - rear lamp housing fixing (.270" X .562" X .056")	1
22.	14-6102	Bolt - rear lamp housing fixing, upper (1/4" UN.C X 5/8")	1
23.	60-2320	Washer - rear lamp housing fixing (.270" X .562" X .056")	2
24.	60-2417	Washer spring rear lamp housing fixing, lower (.281" X .425" X .072")	2
25.	14-0101	Bolt - rear lamp housing fixing, lower (1/4" UN.F X 1/2")	2
26.	14-0206	Bolt - chainguard fixing (1/4" UN.F X 1 3/4")	1
27.	82-9041	Washer - shakeproof, chainguard fixing	1
28.	83-3447	Chainguard	1
29.	97-2270	Retainer - rear lamp cables	1
30.	82-8245	Star lockwasher - cable retainer	1
31.	14-0103	Bolt - grabrail fixing, at mudguard (1/4" UN.F X 5/8")	2
32.	54-9081	Washer - grabrail fixing, at mudguard (.281" X .563" X .078")	4
33.	14-1801	Nut - grabrail fixing, at mudguard (1/4" UN.F)	2
34.	14-0115	Bolt - grabrail fixing, at frame (5/16" UN.F X 7/8")	2
35.	70-3434	Spacer - grabrail fixing, at frame (.328" X .625" X .312")	2
36.	60-2330	Washer - grabrail fixing, at frame (.333" X .625" X .040")	2
37.	14-1202	Nut - grabrail fixing at frame (5/16" UN.F)	2
38.	83-3486	Grabrail assembly	1
39.	99-1162	Rear reflector (Lucas RER14/57079)	2
40.	60-2391	Washer - rear reflector stud	2
41.	82-4717	Nut - rear reflector stud	2

* Not illustrated





CLASSIC
BIKE SPARES

HANDLEBAR – DUAL SEAT – FUEL TANK – SILENCERS

Plate Ref.	Part No.	Description	Per Set
1.	97-2142	Rubber grip – handlebar, left	1
2.	60-2442	Clutch control lever assembly	1
3.	60-3586	Adjuster nut – clutch and front brake cables	2
4.	60-3585	Adjuster – clutch and front brake cables	2
5.	60-2445	Cable – clutch, control	1
6.	97-4112	Clip – cable to handlebar	4
7.	97-1425	Sleeve – handlebar mounting	4
8.	83-3875	Filler cap – fuel tank	1
9.	97-1870	Handlebar	1
10.	60-3471	Cable – front brake control	1
11.	60-2017	Throttle twist grip control	1
12.	60-3881	Front brake control lever assembly	1
13.	60-4139	Cable – throttle control	1
14.	60-0958	Rubber grip – handlebar, right	1
15.	83-3492	Rubber pad – frame top tube	2
16.	83-4925	Styling strip – fuel tank, left	1
16.	83-4926	Styling strip – fuel tank, right	1
17.	70-7351	Seal – fuel tap	2
18.	83-0002	Washer – fuel tap (.531" X .875" X .036")	2
19.	83-2800	Fuel tap	1
19.	83-2801	Fuel tap – reserve	1
20.	82-3355	Fuel pipe – assembly	1
21.	14-2203	Screw – heatshield to pommel clamp (1/4" UN.F X 3/8")	1
22.	54-9081	Washer – heatshield screw (.281" X .563" X .078")	1
23.	71-3369	Heatshield	1
24.	14-0209	Bolt – silencer clamp (5/16" UN.F X 1 1/2")	3
25.	70-3768	'D' washer – silencer clamp	6
26.	71-2820	Pommel clamp – exhaust pipe and heat shield fixing	1
26.	71-2850	Clamp – exhaust pipe	2
27.	14-1302	Nut – silencer clamp bolt (5/16" UN.F)	3
28.	68-8045	Bolt – fuel tank centre fixing	1
29.	40-8089	Distance piece – fuel tank centre bolt	2
30.	82-9065	Washer – fuel tank centre bolt	2
31.	82-9064	Rubber – fuel tank centre mounting	1
32.	70-8088	Washer – fuel tank centre bolt	1
33.	24-5160	Nut – fuel tank centre bolt fixing	1
	60-4192	Decal – fuel tank – 'X75'. (Not illustrated)	2
35.	14-1301	Locknut – silencer clamp bolt (1/4" UN.F)	2
36.	60-2320	Washer – silencer clamp bolt (.270" X .562" X .056")	2
37.	14-0107	Bolt – silencer clamp (1/4" UN.F X 1 1/2")	2
38.	71-2956	Silencer – bottom	1
39.	71-2957	Silencer – centre	1
40.	71-2958	Silencer – top	1
41.	83-4701	Rubber pad – fuel tank unit	1
42.	14-0102	Bolt – silencer to bracket (1/4" UN.F X 5/8")	6
43.	83-3762	Bracket – silencer mounting	1
44.	60-2417	Washer – silencer to bracket bolt (.281" X .425" X .072")	6
45.	14-1201	Nut – silencer to bracket bolt (1/4" UN.F)	6
46.	83-3493	Rubber pad – frame seat rail	2

HANDLEBAR - DUAL SEAT - FUEL TANK - SILENCERS

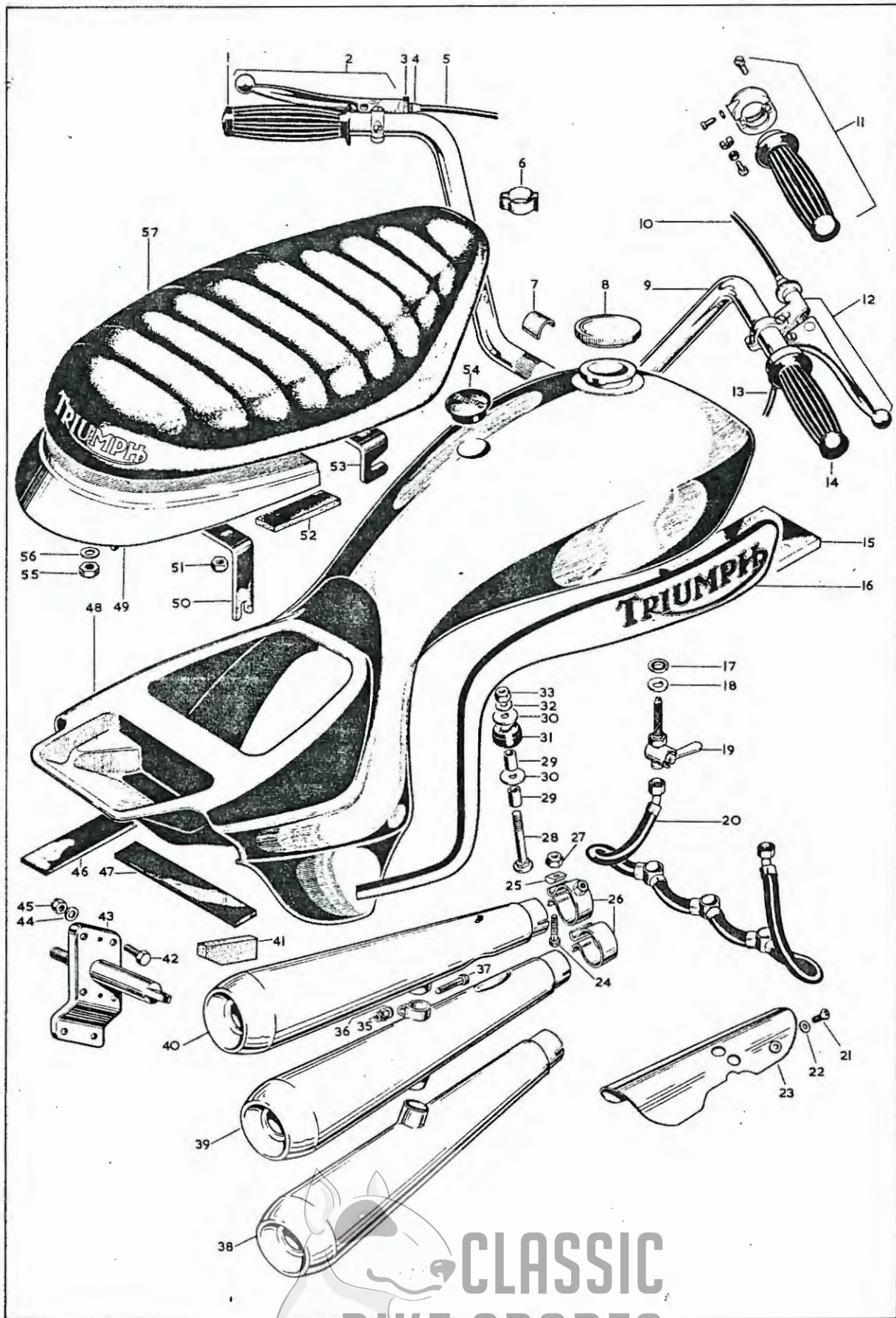
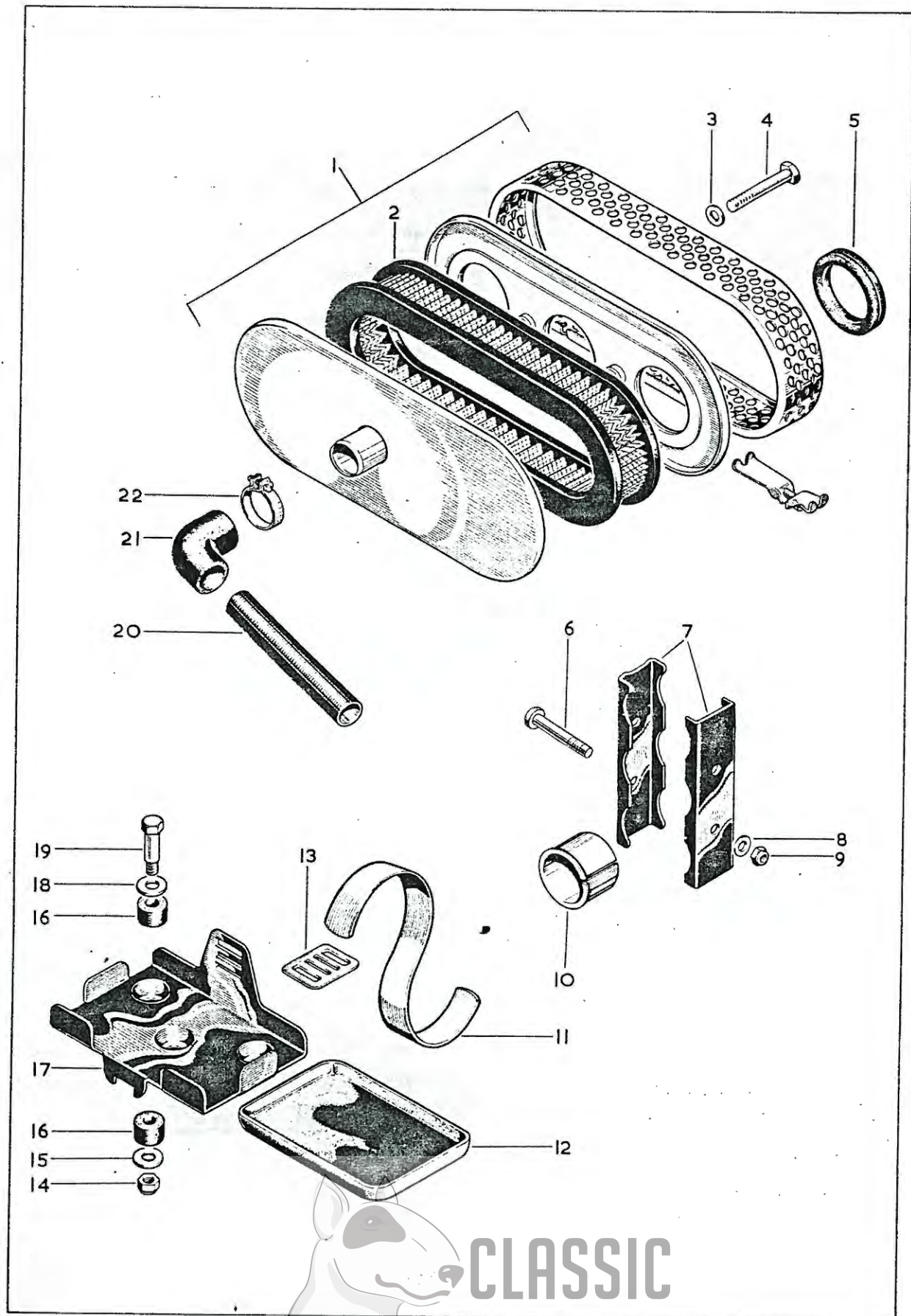


Plate 15 – continued

HANDLEBAR – DUAL SEAT – FUEL TANKS – SILENCERS

Plate Ref.	Part No.	Description	Per Set
47.	83-3494	Rubber pad – frame cross tube	1
48.	83-4265	Fuel tank unit	1
49.	83-4302	Extension – dual seat	1
50.	83-4250	Bracket – dual seat, rear	1
51.	14-1802	Locknut – dual seat bracket, front and rear ($\frac{5}{16}$ " UN.F)	4
52.	83-4680	Rubber, pad – dual seat	2
53.	83-4672	Bracket – dual seat, front	1
54.	83-3069	Grommet – fuel tank	1
55.	14-0301	Nut – seat extension to dual seat ($\frac{1}{4}$ " UN.F)	1
56.	42-5575	Washer – seat extension to dual seat (.281" X 1.250" X .064")	1
57.	83-3482	Dual seat	1
57.	83-4268	Dual seat cover only	1

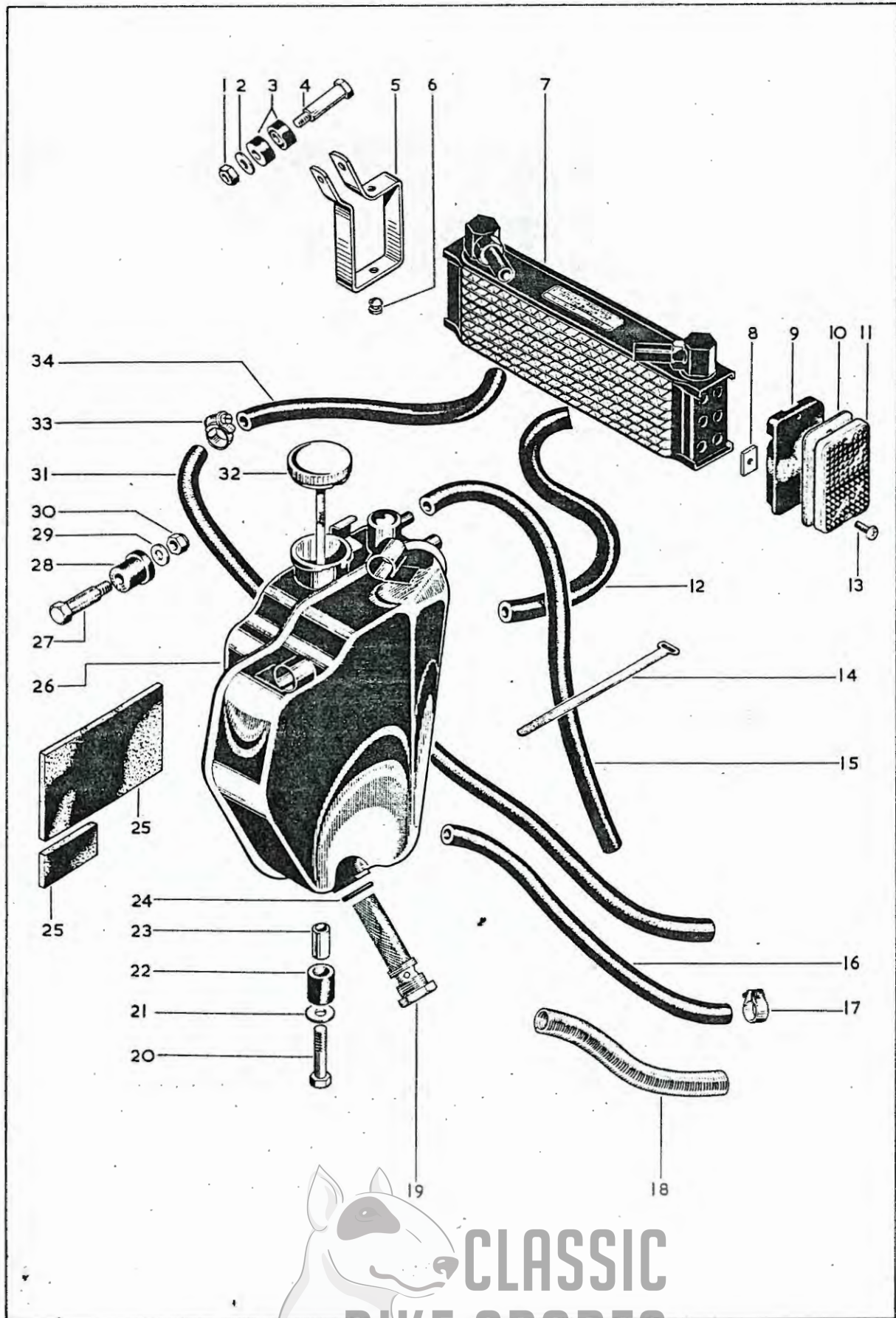




BATTERY CARRIER – AIR CLEANER

Plate Ref.	Part No.	Description	Per Set
1.	60-3275	Air cleaner complete	1
2.	70-9138	Element – air cleaner	1
3.	40-2705	Washer – air cleaner mounting (.266" X .468" X .064")	2
4.	14-0213	Bolt – air cleaner mounting (1/4" UN.F X 3 1/2")	2
5.	82-9562	Grommet – air cleaner	3
6.	14-2214	Screw – coil clamp (1/4" UN.F X 2 1/2")	2
7.	82-8549	Coil clamp	2
8.	60-2427	Washer (spring) – coil clamp screw	2
9.	14-0401	Nut – coil clamp	4
10.	82-9654	Sleeve – coil clamp	3
11.	82-9005	Strap – battery retaining	1
12.	68-4597	Rubber tray – battery mounting	1
13.	82-9355	Hook – battery retaining strap	1
14.	14-1202	Nut – battery carrier mounting (5/16" UN.F)	3
15.	82-9008	Washer – battery carrier mounting, bottom (.317" X .875" X .064")	3
16.	82-9007	Rubber – battery carrier mounting	6
17.	82-8463	Battery carrier	1
18.	60-2331	Washer – battery carrier mounting top (.395" X .750" X .048")	3
19.	21-0768	Bolt – battery carrier mounting	3
20.	71-2661	Breather tube	1
21.	60-3558	Connector hose – breather tube	2
22.	60-4226	Clip – breather hose	4
Not	40-2705	Washer (plain) – coil clamp screw (.266" X .468" X .064")	2
Illus.	60-3659	Clip for clutch cable	1

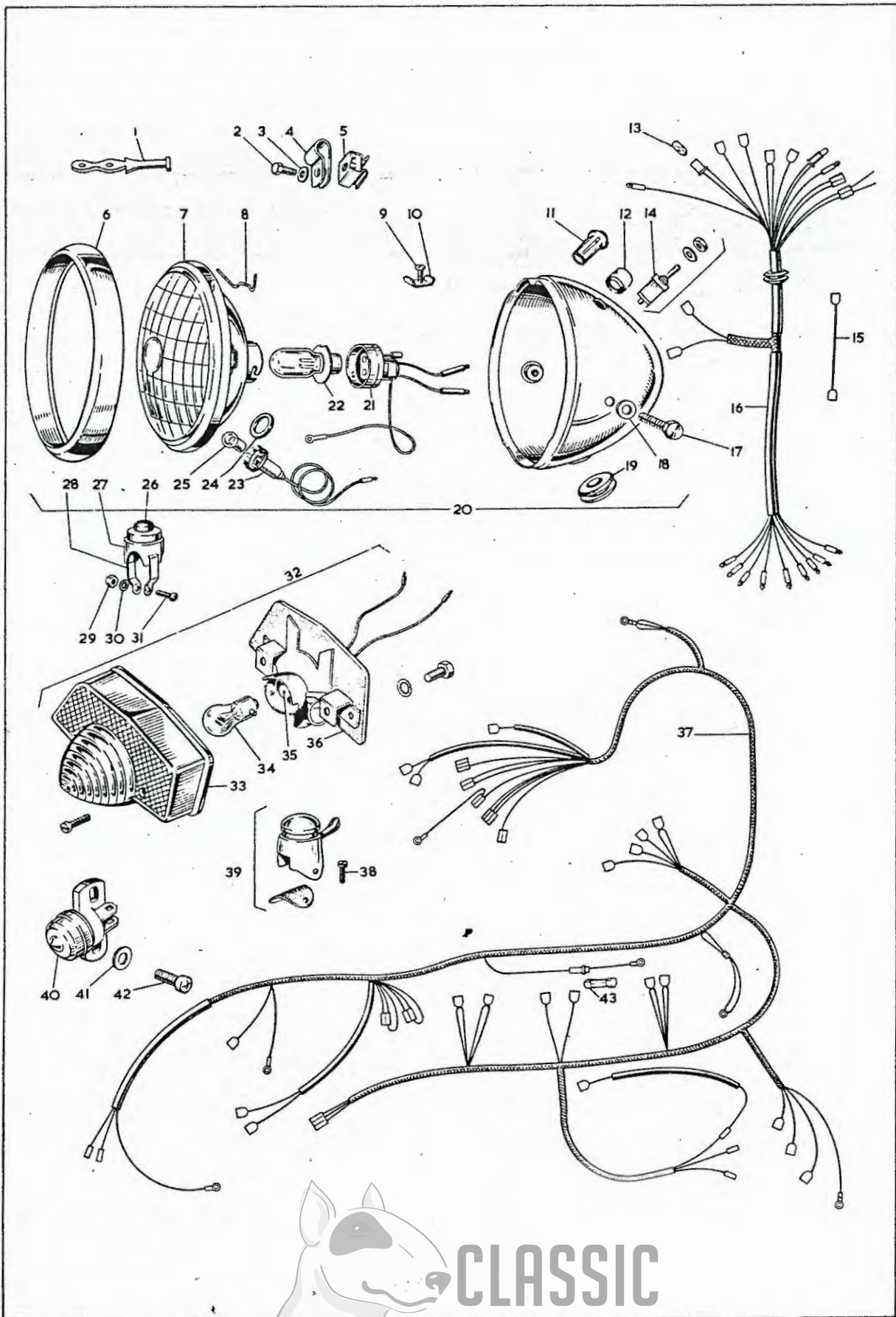




OIL TANK AND COOLER

Plate Ref.	Part No.	Description	Per Set
1.	14-1301	Nut - oil cooler mounting (1/4" UN.F)	2
2.	83-1829	Washer - oil cooler mounting	2
3.	82-8657	Mounting rubber - oil cooler	4
4.	21-0752	Bolt - oil cooler mounting	2
5.	83-3858	Support bracket - oil cooler	2
6.	04-2610	Grommet - oil cooler mounting	4
7.	83-3610	Oil cooler	1
8.	82-9573	Nut - reflector mounting (4 BA)	4
9.	82-9571	Mounting rubber - reflector	2
10.	82-9906	Backplate - reflector mounting	2
11.	99-1119	Reflector - oil cooler, amber (Lucas RER22/57160)	2
12.	71-2484	Oil pipe - cooler to tank (return)	1
13.	21-1940	Screw - reflector mounting (4 BA X 9/16")	4
14.	82-9918	Clip - oil pipes to frame	4
15.	83-5019	Oil pipe - breather	1
16.	71-3638	Oil pipe - tank to engine (feed)	1
17.	70-6848	Clip - oil feed pipe	2
18.	82-9530	Protection spring - oil pipe (feed)	1
18.	82-9531	Protection spring - oil pipe (return)	1
19.	83-1387	Filter plug - oil tank	1
20.	14-0217	Bolt - oil tank mounting, bottom (5/16" UN.F X 1 1/4")	1
21.	70-8088	Washer - oil tank mounting, bottom	1
22.	83-1585	Rubber - oil tank mounting, bottom	1
23.	83-1952	Distance piece - oil tank mounting, bottom	1
24.	68-0610	'O' ring - oil tank filler plug	1
25.	83-3630	Rubber pad - oil tank, to battery, small	1
25.	83-3631	Rubber pad - oil tank, to battery, large	1
26.	83-3495	Oil tank	1
27.	21-0754	Bolt - oil tank mounting, top	2
28.	82-6039	Rubber - oil tank mounting top	2
29.	21-0602	Washer - oil tank mounting, top	2
30.	14-1301	Nut - oil tank mounting, top (1/4" UN.F)	2
31.	70-8905	Oil pipe - engine to rocker connection	1
32.	82-8627	Filler cap - oil tank	1
33.	60-0702	Clip - oil pipes	6
34.	71-2483	Oil pipe - rocker connection to cooler	1

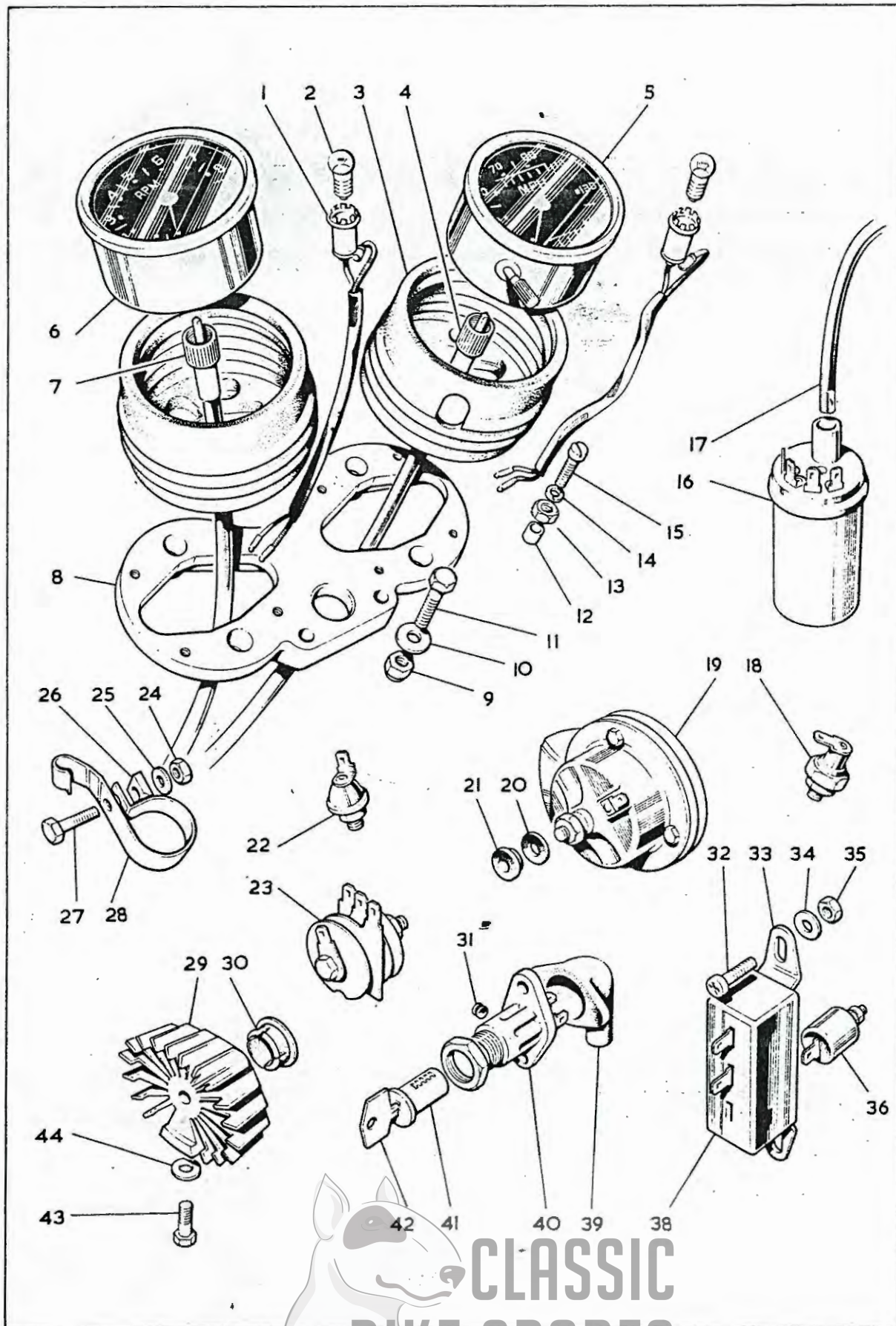




ELECTRICAL EQUIPMENT (PART 1)

Plate Ref.	Part No.	Description	Per Set
	Triumph Makers No.		
1.	60-0777	Cable clip - rubber	10
2.	14-0102	Bolt - harness ($\frac{3}{4}$ " UN.C X $\frac{5}{8}$ ")	2
3.	60-2320	Washer - harness clip bolt (.265" X .562" X .056")	2
4.	82-3808	Clip - harness	2
5.	60-3988	Nut - spire	2
6.	553248	Rim - headlamp	1
7.	19-1367 54525927	Light unit - headlamp	1
8.	504665	Wire - light unit fixing	4
9.	144921	Screw - rim fixing plate	1
10.	534296	Plate - rim fixing	1
11.	54363454	Warning light body assembly (red)	1
11.	54363455	Warning light body assembly (green)	1
12.	45425212	Shield - warning light	2
13.		Bulb - warning light, No. 281	2
14.	99-0563 35710	Switch - lighting	1
15.	54954267	Link lead - ignition coil	1
16.	54960707	Harness - headlamp	1
17.	54115106	Screw - lamp securing	2
18.	143086	Washer - lamp securing screw	2
19.	862217	Grommet - headlamp harness	1
20.	19-2089 60342	Headlamp - including switch, warning lights, part harness, etc	1
21.	554602	Bulb holder, main	1
22.		Bulb - main, No. 370	1
23.	54573590	Bulb holder - pilot	1
24.	554354	Ring, rubber - pilot bulb holder	1
25.		Bulb, pilot, No. 989	1
26.	35835	Ignition - cut-out button	1
27.	97-2259	Cup - ignition cut-out button	1
28.	97-2034	Clip - ignition cut-out button cup	2
29.	21-5160	Nut, clip screw (2 BA)	1
30.	29-3319	Washer, serrated - clip screw (.18" X .375" X .028")	1
31.	54-6510	Screw, clip (2 BA X $\frac{3}{8}$ ")	1
32.	99-0597 53973	Stop - tail lamp assembly	1
33.	54577109	Lens - tail lamp, with screws	1
34.		Bulb, stop - tail (No. 380)	1
35.	573828	Interior, bulb holder	1
36.	54525286	Lamp base assembly	1
37.	19-1939 54960708	Harness, main	1
38.	97-1994	Screw - horn push/dip-switch	2
39.	31563	Horn push/dip - switch	1
40.	34815A	Switch - stop-light	1
41.	82-8979	Washer - switch screw	2
42.	21-0770	Screw - stop-light switch (10 X 32 UN.F X $\frac{1}{2}$ ")	2
43.	19-1249 188218	Fuse, main harness (35 ampere)	1
-	75-9136 380459	Rubber pad (dipswitch)	1

NOTE: - Where a Triumph part number is not quoted, that part is available from the manufacturers only.



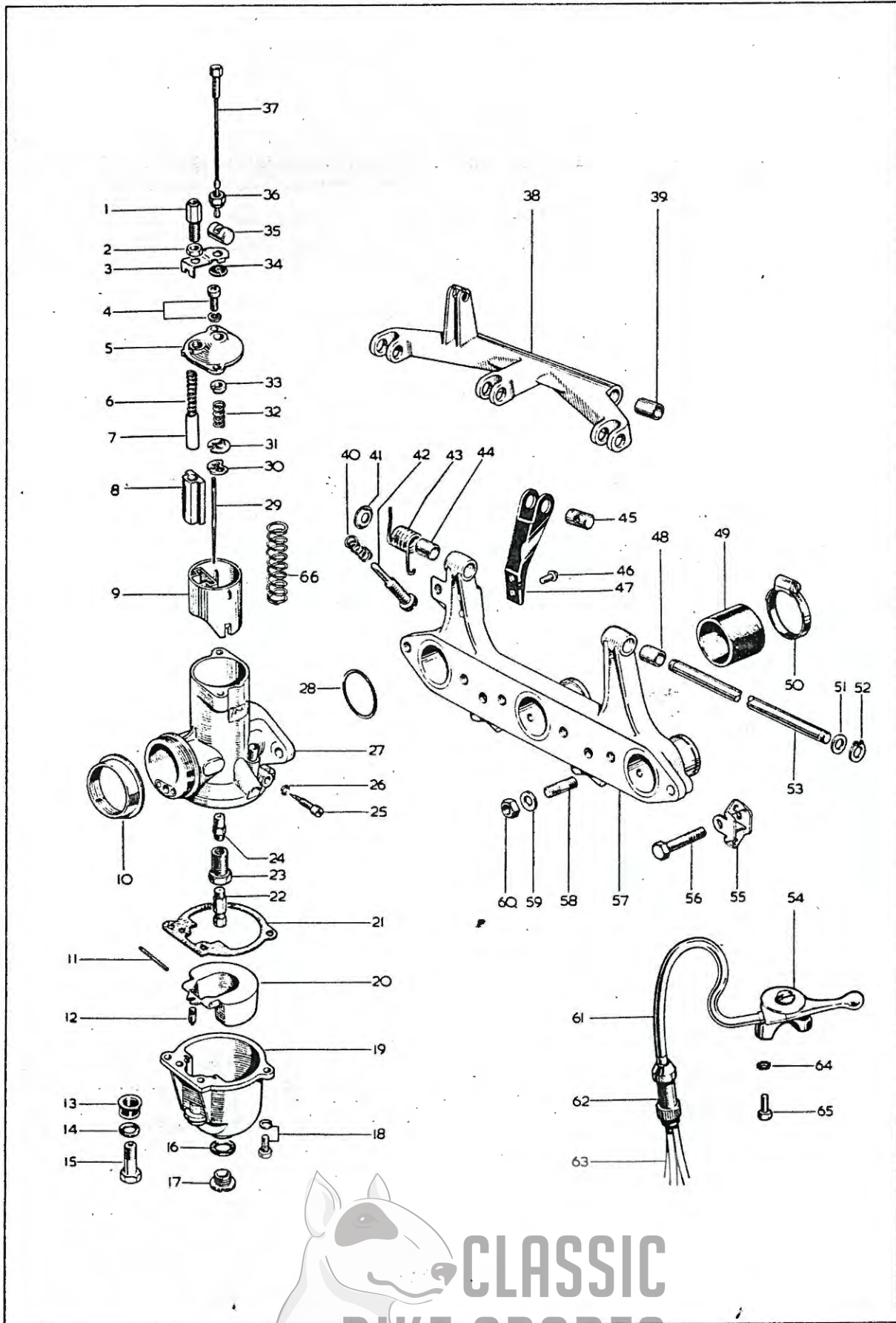
ELECTRICAL EQUIPMENT (PART 2) AND INSTRUMENTS

Plate Ref.	Part No.	Description	Per Set
	Triumph No. Makers No.		
1.	54959626	Lead-speedometer and tachometer	2
2.		Bulb-speedometer and tachometer (No. 987)	2
3.	83-0281	Cup - instrument mounting	2
4.	60-3376	Cable-speedometer drive	1
5.	60-2394 SSM5007/00	Speedometer	1
5.	19-9080* 41/148/203/10	Speedometer trip shaft	1
6.	60-2396 RSM3003/13	Revolution counter	1
7.	68-9121	Cable-revolution counter drive	1
8.	68-9148	Plate - instrument mounting	1
9.	14-1902	Nut-mounting plate bolt ($\frac{5}{16}$ " UN.F)	2
10.	60-2330	Washer-mounting plate bolt (.333" X .625" X .040")	2
11.	14-0217	Bolt-mounting plate ($\frac{5}{16}$ " UN.F X $1\frac{1}{4}$ ")	2
12.	68-9418	Distance piece - cup screw	8
13.	02-0047	Nut - cup screw	8
14.	24-7068	Washer - cup-screw	8
15.	76-0543	Screw - instrument cup	8
16.	60-2203 45223	Coil - high tension	3
17.	19-1898 54956436	Lead - high tension	3
18.	99-0590 54048288	Zener - diode, with nut and washer	1
19.	19-2088	Horn	1
20.	60-3555	Washer, insulating - horn	1
21.	60-3554	Bush, insulating - horn	1
22.	60-2133 PS5300/1/07	Switch - oil pressure	1
23.	99-0589 54048008	Rectifier, with nut	1
24.	14-0301	Nut, clip bolt ($\frac{1}{4}$ " UN.F)	1
25.	60-2320	Washer, clip bolt (.265" X .562" X .056")	1
26.	60-3717	Washer, square	1
27.	14-0103	Bolt - cable clip ($\frac{1}{4}$ " UN.F X $\frac{3}{4}$ ")	1
28.	60-3718	Clip - tachometer cable	1
29.	97-2237	Heat sink	1
30.	97-2275	Plug - heat sink	1
31.	82-7994	Plug, grommet - ignition switch	1
32.	21-2095	Screw, condenser fixing (2 B.A. X $\frac{9}{16}$ ")	2
33.	19-1861 54418526	Base plate - condenser set	1
34.	97-0430	Washer - fixing screw	2
35.	82-4717	Nut - fixing screw	3
36.	19-1847 54420128	Condenser	3
38.	99-0767 54418528	Cover - condenser pack	1
39.	99-2262	Cover - ignition switch	1
40.	19-1775 31899	Switch - ignition	1
41.	82-6981 1/6280	Lock and keys - ignition switch	1
42.	See page 9	Key, ignition	1
43.	14-6102	Bolt - heat sink fixing ($\frac{1}{4}$ " UN.C X $\frac{5}{8}$ ")	1
44.	21-0026	Washer - heat sink bolt	1
*	99-0719 54027029	Battery - PUZ 5A	1
*	82-9274	Rubber boot - capacitor lead	1

* Not illustrated

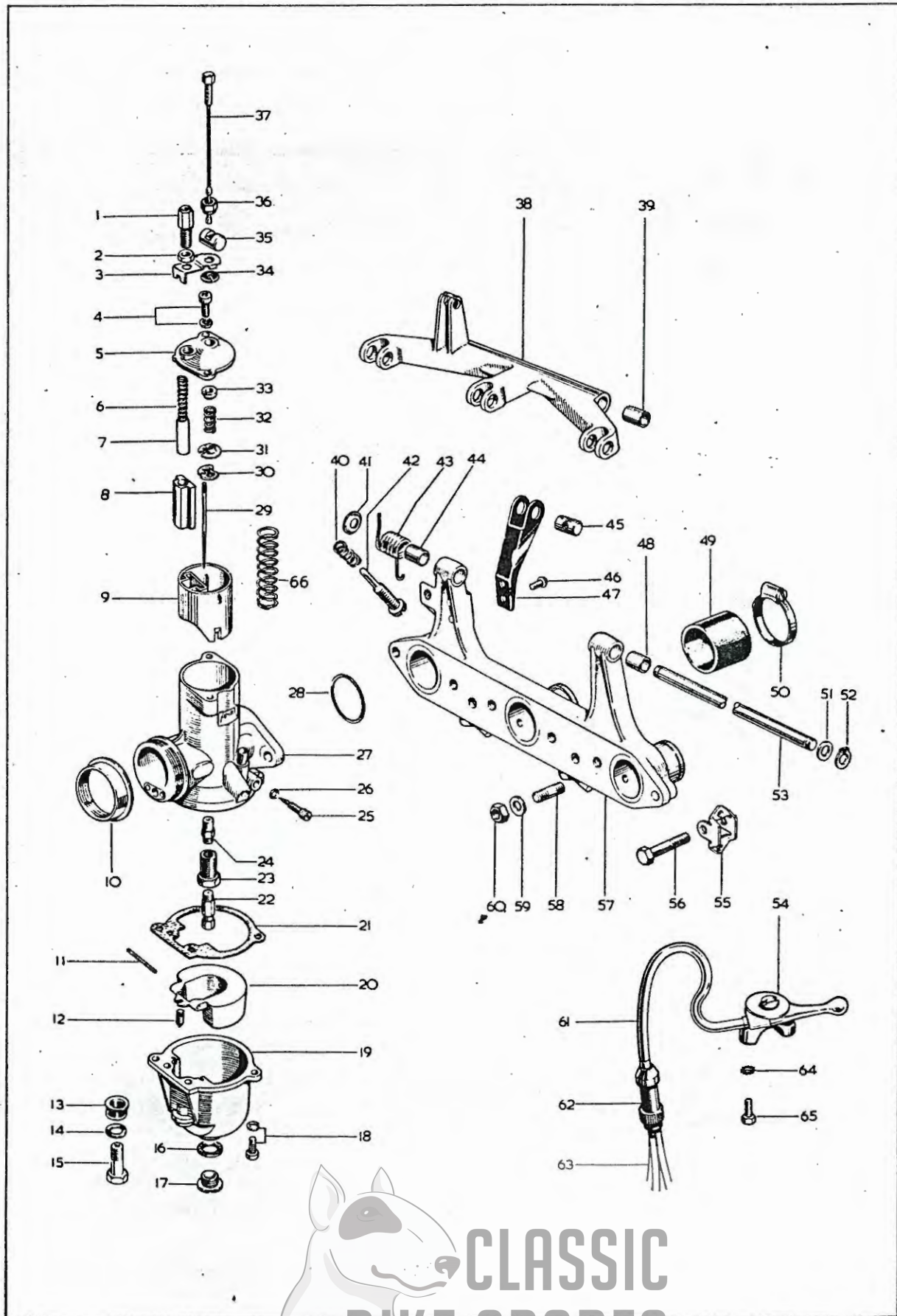
NOTE: - Where a Triumph part number is not quoted, that part is available from the manufacturers only.





CARBURETTERS – THROTTLE LINKAGE

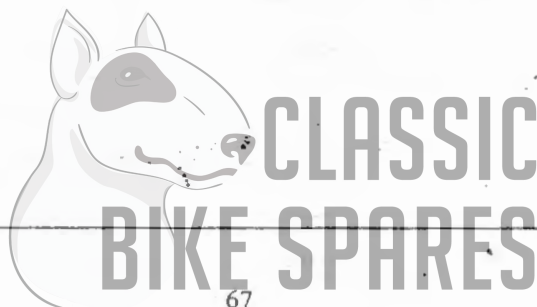
Plate Ref.	Part No.	Description	Per Set
	Triumph No. Makers No.		
	60-4097 L.626/70	Carburetter complete (left)	1
	60-4098 R.626/71	Carburetter complete (centre)	1
	60-4096 R.626/69	Carburetter complete (right)	1
1.	19-2711 4/035	Adjuster – air cable	3
2.	5/077	Locknut – air cable adjuster	3
3.	622/125	Locating clip – top cap seal washer	3
4.	99-0521 622/086	Screw and washer – top cap fixing	6
5.	622/097	Top cap – carburetter body	3
6.	622/129	Spring – air valve	3
7.	622/134	Guide – air valve spring	3
8.	99-1021 622/062	Air valve	3
9.	99-1125 622/060	Throttle valve (3½)	3
10.	70-9586	Adaptor – carburetter intake	3
11.	99-0513 622/071	Float spindle	3
12.	99-0511 622/068	Needle for float	3
13.	19-3048 376/093	Fuel filter	3
14.	99-1100 13/163	Washer – fibre, banjo bolt	3
15.	99-0517 622/078	Banjo bolt – fuel pipe to float chamber	3
16.	622/151	Washer – float chamber drain plug	3
17.	99-1152 622/147	Drain plug – float chamber	3
18.	99-0521 622/086	Screw and washer – float chamber fixing	6
19.	99-1154 622/050	Float chamber	3
20.	99-0512 622/069	Float	3
21.	99-0514 622/073	Gasket – float chamber	3
22.	19-3099 376/100	Main jet (150)	3
23.	622/128	Main jet holder	3
24.	19-3136 622/122	Needle jet (.106")	3
25.	99-0515 622/076	Screw – pilot air adjusting	3
26.	99-0520 622/082	'O' ring – pilot air adjusting screw	3
27.	L.626/70	Carburetter body (left)	1
27.	R.626/71	Carburetter body (right and centre)	2
28.	99-0522 622/101	'O' ring – carburetter flange	3
29.	99-1036 622/124	Throttle needle	3
30.	99-0510 622/067	Clip – throttle needle	3
31.	60-1987 622/116	Retaining plate – throttle rod spring	3
32.	60-1960 622/113	Spring – throttle rod retaining	3
33.	60-1959 622/115	Cap – throttle rod retaining	3
34.	622/126	Seal washer – carburetter top cap	3
35.	70-9243	Trunnion – throttle linkage	3
36.	70-9253 622/138	Locknut – throttle rod	3
37.	60-1984 622/119	Throttle assembly	3
38.	71-2665	Arm – throttle linkage	1
39.	70-9073	Bush – throttle arm	2
40.	70-9254	Spring – adjuster screw, throttle arm	1
41.	70-9821	Retainer – throttle return spring	1
42.	70-9252	Adjuster screw – throttle arm	1
43.	71-3311	Spring – throttle arm return	1

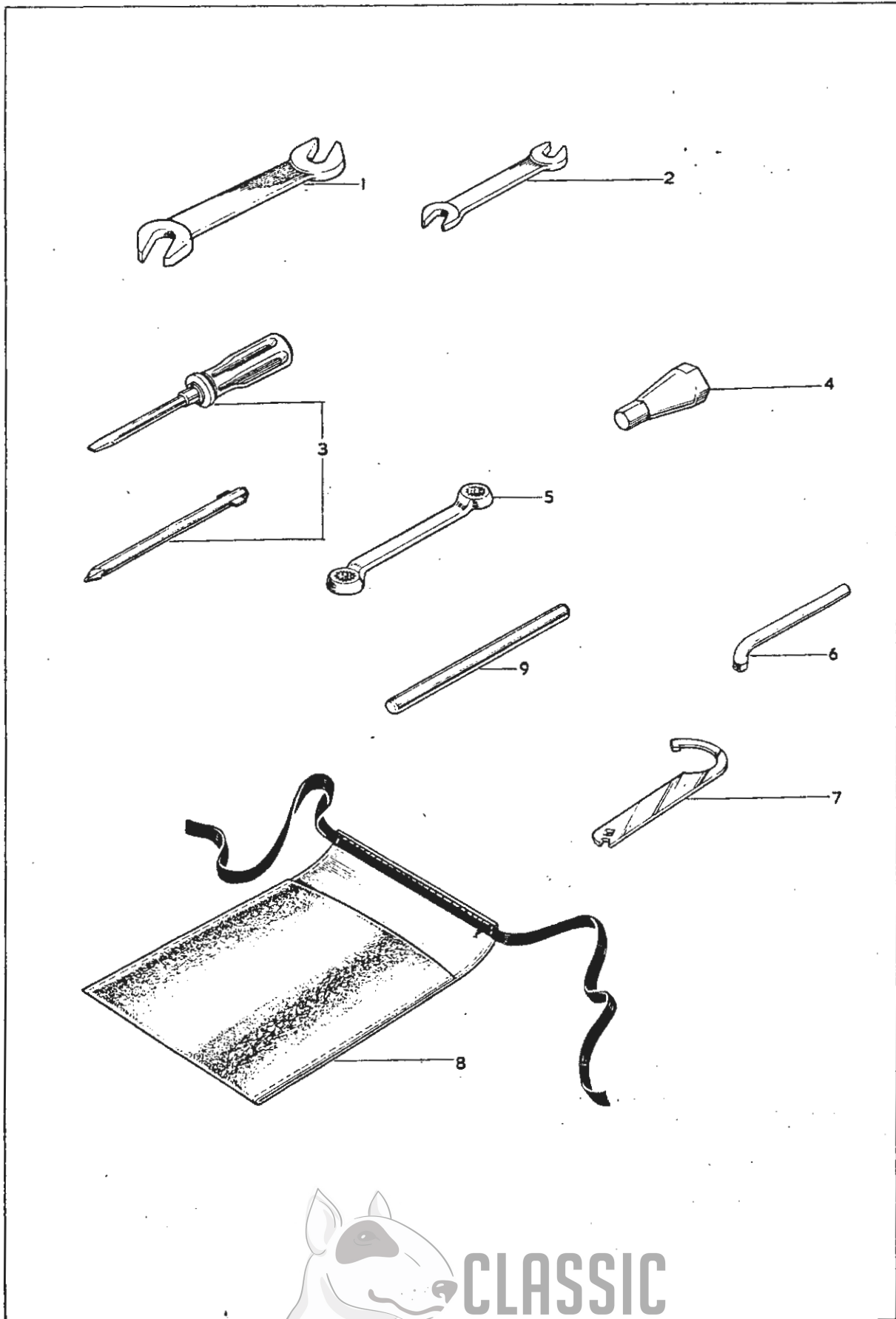


CARBURETTERS – THROTTLE LINKAGE

Plate Ref.	Part No.	Description	Per Set
	Triumph No. Makers No.		
44.	70-9820	Distance piece – throttle return spring	1
45.	70-9243	Trunnion – throttle linkage	1
46.	21-0774	Screw – support arm to adaptor	2
47.	71-2612	Support arm – throttle linkage	1
48.	70-9073	Bush – adaptor (spindle)	2
49.	70-9060	Connection tube	3
50.	60-0707	'Jubilee' clip – connection tube	6
51.	71-0245	Washer – throttle arm spindle backing	1
52.	70-9255	Circlip – throttle arm spindle	1
53.	70-9251	Spindle – throttle arm	1
54.	60-3991	Lever – air control (assembly)	1
55.	83-3665	Bracket – air control lever	1
56.	14-0219	Bolt – air control lever bracket fixing ($\frac{5}{16}$ " UN.F X $1\frac{1}{2}$ ")	1
57.	71-2607	Carburettor adaptor	1
58.	14-1619	Stud – carburettor mounting ($\frac{5}{16}$ " UN.C/UN.F X $1\frac{1}{4}$ ")	5
59.	54-0055	Washer – carburettor mounting (.344" X .625" X .063")	6
60.	14-1302	Nut – carburettor mounting ($\frac{5}{16}$ " UN.F)	6
61.	60-3566	Cable – air control – lever to junction box	1
62.	99-1018 244/2080	Junction box – air control cable	1
63.	60-2061	Cable – air control, junction box to carburettors	3
64.	54-0170	Washer – shakeproof, air control lever fixing bolt	2
65.	60-3896	Bolt – air control lever to bracket (2 B.A. X $\frac{3}{4}$ ")	2
66.	71-3312	Spring – throttle valve	

NOTE:— Where a Triumph part number is not quoted, that part is available from the manufacturers only.





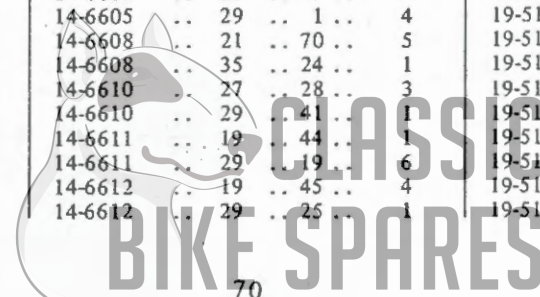
TOOLS

Plate Ref.	Part No.	Description	Per Set
	60-3351	Toolkit complete	1
1.	60-2647	Double open-ended spanner ($\frac{3}{4}$ " X $\frac{15}{16}$ " A.F.)	1
2.	60-3350	Double open-ended spanner ($\frac{11}{32}$ " X $\frac{9}{16}$ " A.F.)	1
3.	60-0767	Screwdriver complete	1
4.	60-1910	Spark plug spanner	1
5.	60-1907	Double-ended ring spanner ($\frac{7}{16}$ " X $\frac{1}{2}$ " A.F.)	1
6.	60-2020	Tappet spanner	1
7.	60-0362	'C' spanner with square socket	1
8.	75-9089	Tool roll	1
9.	60-1911	Tommy bar	1



NUMERICAL INDEX

Part No.	Page	Plate ref.		Part No.	Page	Plate ref.		Plate No.	Page	Plate ref.	
		No.	No. off			No.	Per set			No.	Per set
00-3172	6	-	-	14-1201	53	45	6	14-6613	29	10	2
00-3315	6	-	-	14-1202	17	12	6	14-6613	35	13	1
00-3466	6	-	-	14-1202	51	37	2	14-6614	31	29	2
00-3468	6	-	-	14-1202	57	14	3	14-6615	29	20	1
00-3469	6	-	-	14-1301	15	65	6	14-6615	35	15	2
00-3470	6	-	-	14-1301	21	79	6	14-7004	15	47	6
00-7007	6	-	-	14-1301	35	30	1	14-7006	25	8	7
00-7009	6	-	-	14-1301	49	9	5	14-7007	43	6	4
				14-1301	53	35	2	14-7036	43	21	2
01-6033	43	29	2	14-1301	59	1	2	14-7101	31	26	1
				14-1301	59	30	2				
03-0107	37	17	1	14-1302	35	22	1	15-0039	41	35	2
03-1346	41	36	2	14-1302	37	27	2				
				14-1302	37	39	2				
04-2610	59	6	4	14-1302	37	49	1	19-1249	61	43	1
				14-1302	37	53	5	19-1367	61	7	1
14-0101	51	5	4	14-1302	39	61	5	19-1775	63	40	1
14-0101	51	25	2	14-1302	51	17	4	19-1847	63	36	3
14-0102	53	42	6	14-1302	53	27	3	19-1861	63	33	1
14-0102	61	2	2	14-1302	67	60	6	19-1898	63	17	3
14-0103	43	30	2	14-1303	37	6	2	19-1939	61	37	1
14-0103	51	13	4	14-1303	37	35	2	19-2088	63	19	1
14-0103	51	31	2	14-1303	41	26	2	19-2089	61	20	1
14-0103	63	27	1	14-1303	43	11	1	19-2711	65	1	3
14-0106	41	8	2	14-1303	43	24	2	19-3048	65	13	3
14-0107	53	37	2	14-1303	47	29	1	19-3099	65	22	3
14-0113	41	21	1	14-1303	49	30	1	19-3136	65	24	3
14-0113	51	20	2	14-1304	49	38	1	19-5151	8	-	1
14-0115	39	57	3	14-1304	49	46	1	19-5152	8	-	1
14-0115	51	34	4	14-1305	37	29	1	19-5153	8	-	1
14-0133	49	36	1	14-1307	49	18	1	19-5154	8	-	1
14-0145	37	16	1	14-1401	13	14	4	19-5155	8	-	1
14-0201	35	18	1	14-1427	19	22	2	19-5156	8	-	1
14-0202	13	17	4	14-1619	67	58	5	19-5157	8	-	1
14-0206	51	26	1	14-1635	47	34	1	19-5158	8	-	1
14-0207	49	4	5	14-1801	51	33	2	19-5159	8	-	1
14-0208	19	33	1	14-1802	55	51	4	19-5160	8	-	1
14-0209	53	24	3	14-1901	29	36	1	19-5161	8	-	1
14-0213	57	4	2	14-1902	49	24	2	19-5162	8	-	1
14-0217	37	42	2	14-1902	63	9	2	19-5163	8	-	1
14-0217	41	18	1	14-1903	37	11	1	19-5164	8	-	1
14-0217	59	20	1	14-2203	53	21	1	19-5165	8	-	1
14-0217	63	11	2	14-2214	57	6	2	19-5166	8	-	1
14-0218	39	62	3	14-6101	25	5	1	19-5167	8	-	1
14-0219	67	56	1	14-6102	29	5	2	19-5168	8	-	1
14-0220	39	58	2	14-6102	51	22	1	19-5169	8	-	1
14-0221	39	55	2	14-6102	63	43	1	19-5170	8	-	1
14-0235	41	22	1	14-6113	19	23	2	19-5171	8	-	1
14-0235	41	43	1	14-6121	31	27	1	19-5172	8	-	1
14-0237	37	1	1	14-6211	13	5	4	19-5173	8	-	1
14-0260	37	33	1	14-6218	21	58	1	19-5174	8	-	1
14-0301	35	5	4	14-6218	23	102	1	19-5175	8	-	1
14-0301	51	8	4	14-6220	19	1	2	19-5176	8	-	1
14-0301	55	55	1	14-6223	23	96	1	19-5177	8	-	1
14-0301	63	24	1	14-6226	21	57	4	19-5178	8	-	1
14-0302	21	87	2	14-6226	23	101	5	19-5179	8	-	1
14-0302	45	59	8	14-6504	29	23	2	19-5180	8	-	1
14-0303	17	13	4	14-6509	29	31	1	19-5181	8	-	1
14-0303	13	40	4	14-6515	27	23	1	19-5182	8	-	1
14-0304	37	9	1	14-6605	19	13	3	19-5183	8	-	1
14-0304	37	51	1	14-6605	25	9	2	19-5184	8	-	1
14-0401	21	61	3	14-6605	29	1	4	19-5185	8	-	1
14-0401	41	7	2	14-6608	21	70	5	19-5186	8	-	1
14-0401	57	9	4	14-6608	35	24	1	19-5187	8	-	1
14-0402	15	55	6	14-6610	27	28	3	19-5188	8	-	1
14-0402	25	42	1	14-6610	29	41	1	19-5189	8	-	1
14-0402	29	49	1	14-6611	19	44	1	19-5190	8	-	1
14-0404	41	42	1	14-6611	29	19	6	19-5191	8	-	1
14-0405	41	49	2	14-6612	19	45	4	19-5192	8	-	1
14-1019	45	56	2	14-6612	29	25	1	19-5193	8	-	1
								19-5194	8	-	1



NUMERICAL INDEX - contd.

Part No.	Page	Plate ref.		Per set
		No.		
19-5195	8	-	-	1
19-5196	8	-	-	1
19-5197	8	-	-	1
19-5198	8	-	-	1
19-5199	8	-	-	1
19-5200	8	-	-	1
19-5305	41	4	-	2
19-5305	41	24	-	2
19-5614	9	-	-	1
19-5615	9	-	-	1
19-5616	9	-	-	1
19-5617	9	-	-	1
19-5618	9	-	-	1
19-5619	9	-	-	1
19-5620	9	-	-	1
19-5621	9	-	-	1
19-5622	9	-	-	1
19-5623	9	-	-	1
19-5624	9	-	-	1
19-5625	9	-	-	1
19-5626	9	-	-	1
19-5627	9	-	-	1
19-5628	9	-	-	1
19-5629	9	-	-	1
19-5630	9	-	-	1
19-5631	9	-	-	1
19-5632	9	-	-	1
19-5633	9	-	-	1
19-5634	9	-	-	1
19-5635	9	-	-	1
19-5636	9	-	-	1
19-5637	9	-	-	1
19-5638	9	-	-	1
19-5639	9	-	-	1
19-5640	9	-	-	1
19-5641	9	-	-	1
19-5642	9	-	-	1
19-5643	9	-	-	1
19-5644	9	-	-	1
19-5645	9	-	-	1
19-5646	9	-	-	1
19-5647	9	-	-	1
19-5648	9	-	-	1
19-5649	9	-	-	1
19-5650	9	-	-	1
19-5651	9	-	-	1
19-5652	9	-	-	1
19-5653	9	-	-	1
19-5654	9	-	-	1
19-5655	9	-	-	1
19-5656	9	-	-	1
19-5657	9	-	-	1
19-5658	9	-	-	1
19-5659	9	-	-	1
19-5660	9	-	-	1
19-5661	9	-	-	1
19-5662	9	-	-	1
19-5663	9	-	-	1
19-5664	9	-	-	1
19-5665	9	-	-	1
19-5666	9	-	-	1
19-5667	9	-	-	1
19-5668	9	-	-	1
19-5669	9	-	-	1
19-5670	9	-	-	1
19-5671	9	-	-	1
19-5673	9	-	-	1
19-5674	9	-	-	1
19-5675	9	-	-	1
19-5676	9	-	-	1

Part No.	Page	Plate ref.		Per set
		No.		
19-5677	9	-	-	1
19-5678	9	-	-	1
19-5679	9	-	-	1
19-5680	9	-	-	1
19-5681	9	-	-	1
19-5682	9	-	-	1
19-5683	9	-	-	1
19-5684	9	-	-	1
19-5685	9	-	-	1
19-5686	9	-	-	1
19-5687	9	-	-	1
19-5688	9	-	-	1
19-5689	9	-	-	1
19-5691	9	-	-	1
19-5692	9	-	-	1
19-5693	9	-	-	1
19-7466	47	36	-	2
19-7467	47	37	-	20
19-7477	41	2	-	2
19-7478	41	3	-	2
19-7606	13	35	-	3
19-7641	13	34	-	3
19-7809	27	-	-	1
19-9080	63	5	-	1
21-0025	13	18	-	4
21-0025	21	49	-	3
21-0025	35	23	-	1
21-0026	21	60	-	3
21-0026	63	44	-	1
21-0066	27	19	-	1
21-0512	37	24	-	2
21-0536	25	35	-	1
21-0541	35	25	-	1
21-0544	35	19	-	1
21-0547	23	95	-	3
21-0547	35	6	-	4
21-0550	13	27	-	2
21-0557	15	67	-	6
21-0559	25	26	-	2
21-0567	29	15	-	1
21-0578	43	33	-	1
21-0585	25	1	-	1
21-0589	43	34	-	2
21-0594	33	67	-	1
21-0602	59	29	-	2
21-0678	23	92	-	1
21-0680	27	24	-	3
21-0681	27	30	-	1
21-0686	13	37	-	4
21-0692	19	7	-	10
21-0752	59	4	-	2
21-0754	59	27	-	2
21-0755	41	33	-	1
21-0768	57	19	-	3
21-0769	41	41	-	1
21-0770	61	42	-	2
21-0774	67	46	-	2
21-1813	21	85	-	2
21-1819	25	39	-	1
21-1820	25	4	-	1
21-1852	21	48	-	3
21-1862	33	57	-	2
21-1872	31	48	-	1
21-1912	19	6	-	4
21-1931	19	3	-	4
21-1940	59	13	-	4
21-2095	63	32	-	2
21-2102	45	55	-	8
21-2106	31	1	-	3

Part No.	Page	Plate ref.		Per set
		No.		
21-2139	35	21	-	1
21-2185	21	65	-	1
21-2212	37	21	-	1
21-5160	61	29	-	1
22-2211	37	14	-	1
24-1088	37	46	-	1
24-1088	41	27	-	1
24-5160	53	33	-	1
24-7068	63	14	-	8
29-3319	61	30	-	1
36-0382	41	20	-	1
37-0653	47	3	-	1
37-0653	47	10	-	1
37-0653	49	2	-	1
37-0653	49	12	-	1
37-1015	49	25	-	1
37-1090	49	33	-	1
37-1197	47	39	-	-
37-1198	47	39	-	-
37-1237	47	2	-	1
37-1467	41	14	-	1
37-1481	47	4	-	1
37-1654	49	11	-	1
37-2015	49	32	-	1
37-2027	49	31	-	1
37-2058	47	24	-	1
37-2294	47	16	-	40
37-2294	49	19	-	40
37-2328	49	42	-	2
37-2330	37	15	-	2
37-2330	37	20	-	2
37-2330	49	37	-	1
37-2337	13	39	-	4
37-2761	47	23	-	2
37-3713	47	19	-	2
37-3714	47	38	-	2
37-3715	47	21	-	2
37-3716	47	20	-	2
37-3717	47	18	-	1
37-3724	49	23	-	10
37-3725	49	22	-	10
37-3726	49	21	-	20
37-3749	49	3	-	1
37-3750	49	14	-	1
37-3751	49	13	-	1
37-3753	49	10	-	1
37-3759	47	11	-	1
37-3762	47	22	-	2
37-3796	47	6	-	1
37-3797	47	8	-	1
37-3819	47	12	-	10
37-3820	47	14	-	10
37-3821	47	15	-	20
37-3848	6	-	-	-
37-3848	47	5	-	1
37-3876	49	44	-	2
37-3901	49	28	-	1
37-3903	49	5	-	1
37-3919	47	17	-	1
37-3919	49	27	-	2
37-3926	49	40	-	1
37-3926	47	9	-	1
37-3940	40	20	-	1
37-3944	6	-	-	-
37-3944	47	-	-	1



NUMERICAL INDEX - contd.

Part No.	Page	Plate ref. No.	Per set
37-3961	49	25	1
37-3971	47	35	1
37-3976	49	16	1
37-3980	49	26	1
37-3982	6	-	-
37-3982	49	7	1
37-3986	47	33	1
37-3987	47	26	2
37-3996	47	32	1
37-3997	47	27	1
37-4014	47	31	1
37-4071	49	41	2
37-4102	6	-	-
37-4102	49	-	1
37-4110	49	35	1
37-4112	49	34	1
37-4113	6	-	-
37-4113	79	34	1
37-4119	49	29	1
37-4124	49	39	1
37-4174	6	-	-
37-4174	47	35	1
37-4180	49	-	1
37-4181	49	1	1
40-0066	25	2	-
40-2705	15	66	6
40-2705	41	12	1
40-2705	57	3	2
40-2705	57	-	2
40-8089	53	29	2
42-5575	55	56	1
42-5840	49	43	16
54-0055	21	86	2
54-0055	23	91	7
54-0055	25	38	2
54-0055	35	20	1
54-0055	67	59	6
54-0170	67	64	2
54-6510	61	31	1
54-9081	13	2	4
54-9081	51	32	4
54-9081	53	22	1
57-0023	35	36	1
57-0024	35	39	1
57-0031	35	38	1
57-0045	35	41	1
57-0047	35	37	1
57-0280	47	1	1
57-0404	35	2	2
57-0405	35	8	2
57-0407	35	3	1
57-0412	31	25	1
57-0730	33	64	1
57-0731	33	65	1
57-0912	29	44	1
57-0912	31	33	1
57-0912	31	47	1
57-0989	21	69	2
57-0989	29	43	2
57-0989	31	30	2
57-0989	33	50	2
57-1167	35	27	1
57-1250	33	62	1
57-1272	35	28	1
57-1606	33	54	1
57-1607	31	34	1

Part No.	Page	Plate ref. No.	Per set
57-1607	31	46	1
57-1614	33	56	1
57-1645	29	13	1
57-1646	29	11	1
57-1896	31	11	1
57-1955	35	34	1
57-1956	35	35	1
57-1962	33	61	1
57-1963	33	63	1
57-2166	13	23	4
57-2166	29	17	1
57-2214	27	10	1
57-2215	29	26	1
57-2220	29	14	1
57-2240	33	66	1
57-2259	29	21	1
57-2297	35	40	1
57-2330	35	29	1
57-2331	41	38	1
57-2465	29	45	1
57-2473	29	7	2
57-2474	29	6	1
57-2478	27	4	1
57-2480	27	3	1
57-2547	29	9	1
57-2552	27	32	1
57-2553	29	4	1
57-2554	27	27	1
57-2555	27	22	1
57-2557	27	29	1
57-2562	6	-	-
57-2562	27	-	1
57-2580	27	20	1
57-2648	35	17	1
57-2653	35	32	1
57-2656	31	32	1
57-2737	35	14	1
57-3610	29	30	1
57-3614	29	27	1
57-3617	29	28	1
57-3638	29	8	1
57-3642	25	37	1
57-3642	27	26	1
57-3643	27	7	1
57-3643	29	32	1
57-3644	27	2	1
57-3646	27	12	1
57-3647	29	48	1
57-3660	31	19	1
57-3705	27	15	1
57-3708	27	31	1
57-3709	27	18	1
57-3715	27	17	1
57-3717	27	33	1
57-3718	27	16	1
57-3719	27	35	12
57-3720	27	34	6
57-3721	35	32	1
57-3733	29	12	1
57-3733	29	22	1
57-3756	27	25	1
57-3757	35	16	1
57-3759	35	12	1
57-3871	6	-	-
57-3871	27	-	1
57-3896	29	38	1
57-3940	27	14	6
57-3941	27	13	3
57-3954	29	2	1
57-3958	29	42	1

Part No.	Page	Plate ref. No.	Per set
57-3978	31	21	1
57-3983	29	39	1
57-3987	29	37	1
57-3989	31	5	1
57-3990	29	16	1
57-4004	27	1	1
57-4018	25	10	1
57-4113	33	60	1
57-4117	35	40	1
57-4194	29	47	1
57-4225	27	9	1
57-4324	27	5	12
57-4329	31	24	1
57-4357	35	33	1
57-4363	31	9	1
57-4364	31	6	1
57-4366	31	7	1
57-4370	31	42	1
57-4374	35	9	1
57-4376	31	14	1
57-4377	31	15	1
57-4384	31	43	1
57-4394	31	2	1
57-4395	33	52	1
57-4396	33	51	1
57-4398	33	53	1
57-4400	31	22	1
57-4403	35	7	2
57-4422	31	24	1
57-4445	35	10	1
57-4459	31	20	1
57-4548	33	55	1
57-4549	33	55	1
57-4550	31	45	1
57-4575	31	16	1
57-4576	31	44	1
57-4621	27	11	1
57-4624	31	8	1
57-4628	31	4	1
57-4647	31	41	1
57-4653	31	17	1
57-4654	31	38	1
57-4657	31	39	1
57-4660	31	18	1
57-4661	31	35	1
57-4662	31	40	1
57-4663	31	37	1
60-0362	69	7	1
60-0699	27	6	1
60-0702	13	43	6
60-0702	59	33	6
60-0707	67	50	6
60-0767	69	3	1
60-0777	61	1	10
60-0958	53	14	1
60-1841	37	47	1
60-1841	41	28	1
60-1841	41	46	2
60-1907	69	5	1
60-1910	69	4	1
60-1911	69	9	1
60-1928	31	10	2
60-1959	65	33	3
60-1960	65	32	3
60-1984	65	37	3
60-1987	65	31	3
60-2016	49	6	1
60-2017	53	11	1
60-2020	69	6	1



NUMERICAL INDEX - contd.

Part No.	Page	Plate ref. No.	Per set
60-2061	67	63	3
60-2133	63	22	1
60-2203	63	16	3
60-2320	21	81	6
60-2320	35	31	1
60-2320	49	8	5
60-2320	51	21	1
60-2320	51	23	2
60-2320	53	36	2
60-2320	61	3	2
60-2320	63	25	1
60-2321	37	28	2
60-2322	37	7	2
60-2322	37	36	2
60-2330	37	40	2
60-2330	37	48	1
60-2330	51	16	4
60-2330	51	19	4
60-2330	51	36	2
60-2330	63	10	2
60-2331	57	18	3
60-2335	49	-	1
60-2338	51	7	4
60-2340	47	30	1
60-2364	29	46	3
60-2364	35	26	1
60-2370	25	12	1
60-2391	51	40	2
60-2394	63	5	1
60-2396	63	6	1
60-2417	51	24	2
60-2417	53	44	6
60-2427	51	12	4
60-2427	57	8	2
60-2428	45	58	8
60-2442	53	2	1
60-2445	53	5	1
60-2632	47	7	1
60-2639	47	25	2
60-2647	69	1	1
60-2683	41	11	1
60-2723	41	34	2
60-3213	49	15	1
60-3275	57	1	1
60-3313	51	2	1
60-3350	69	2	1
60-3351	69	-	1
60-3376	63	4	1
60-3438	43	22	1
60-3471	53	10	1
60-3494	31	36	1
60-3500	31	12	1
60-3510	31	3	1
60-3511	31	13	2
60-3530	35	11	1
60-3548	15	58	2
60-3552	33	59	1
60-3554	63	21	1
60-3555	63	20	1
60-3558	57	21	2
60-3566	67	61	1
60-3585	53	4	2
60-3586	53	3	2
60-3659	57	-	1
60-3669	47	13	1
60-3717	63	26	1
60-3718	63	28	1
60-3881	53	12	1
60-3896	67	65	2
60-3988	61	5	2

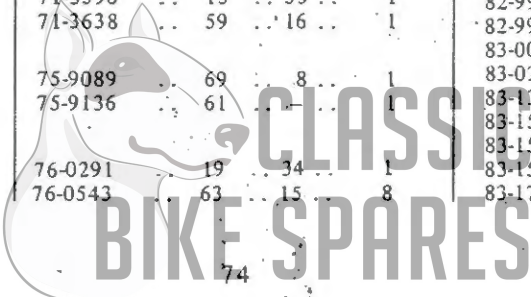
Part No.	Page	Plate ref. No.	Per set
60-3991	67	54	1
60-4096	65	-	1
60-4097	65	-	1
60-4098	65	-	1
60-4139	53	13	1
60-4192	53	-	2
60-4226	57	22	4
64-0055	19	2	8
68-0610	59	24	1
68-4597	57	12	1
68-8045	53	28	1
68-9121	63	7	1
68-9148	63	8	1
70-0402	25	36	1
70-1335	13	26	4
70-1523	21	90	1
70-1532	17	5	6
70-1532	25	29	1
70-1558	21	77	2
70-1574	15	48	6
70-1575	15	49	12
70-1580	21	63	1
70-1591	17	22	1
70-1670	25	16	1
70-3309	19	16	1
70-3434	51	35	2
70-3446	31	28	1
70-3768	53	25	6
70-3974	21	63	1
70-3975	21	47	1
70-4705	25	7	1
70-4746	17	35	4
70-4752	17	1	4
70-4752	17	36	4
70-5977	29	33	2
70-5998	17	24	6
70-6018	13	45	2
70-6023	17	16	4
70-6025	17	23	2
70-6026	17	18	2
70-6038	25	20	1
70-6039	25	22	1
70-6061	29	34	1
70-6088	21	74	1
70-6130	21	55	1
70-6173	21	59	1
70-6299	19	14	1
70-6420	15	62	6
70-6454	25	23	1
70-6455	25	30	1
70-6459	25	32	1
70-6496	17	9	1
70-6501	21	83	1
70-6502	25	19	1
70-6519	19	36	1
70-6521	19	31	3
70-6522	21	52	3
70-6523	21	76	2
70-6524	21	62	1
70-6559	19	30	3
70-6567	25	13	1
70-6570	25	28	2
70-6571	21	56	1
70-6573	23	98	1
70-6574	23	99	1
70-6577	17	17	3
70-6580	21	82	1

Part No.	Page	Plate ref. No.	Per set
70-6584	25	15	1
70-6595	25	17	1
70-6596	25	-	1
70-6743	13	31	3
70-6744	13	33	3
70-6836	17	27	3
70-6838	17	29	3
70-6838	17	30	3
70-6840	17	25	6
70-6848	59	17	2
70-6885	25	44	1
70-6890	25	46	1
70-6955	17	37	4
70-7246	25	43	1
70-7248	25	3	1
70-7351	53	17	2
70-7738	21	68	1
70-7879	19	41	1
70-8084	37	2	1
70-8084	41	5	2
70-8084	41	23	2
70-8084	41	25	2
70-8088	39	54	4
70-8088	39	56	6
70-8088	39	59	10
70-8088	53	32	1
70-8088	59	21	1
70-8147	31	23	1
70-8163	19	32	1
70-8720	15	52	6
70-8731	25	25	2
70-8732	25	33	4
70-8738	19	5	2
70-8740	19	18	1
70-8741	19	17	1
70-8742	19	15	1
70-8744	19	12	1
70-8745	17	20	4
70-8751	19	4	2
70-8754	25	-	1
70-8755	21	89	1
70-8756	19	27	1
70-8760	21	71	1
70-8763	21	46	1
70-8764	19	10	1
70-8765	19	11	1
70-8768	21	73	1
70-8770	19	8	10
70-8773	13	21	2
70-8774	19	9	2
70-8774	19	21	2
70-8776	19	24	2
70-8780	17	19	1
70-8782	13	22	4
70-8782	29	18	1
70-8785	25	47	1
70-8786	25	6	1
70-8787	15	59	6
70-8788	15	60	6
70-8789	15	61	6
70-8817	17	4	8
70-8819	13	10	2
70-8820	13	8	4
70-8860	13	32	3
70-8896	31	49	1
70-8905	13	44	1
70-8905	59	31	1
70-8914	17	7	3
70-8981	15	64	3
70-9023	17	24	6

CLASSIC BIKE SPARES

NUMERICAL INDEX -- contd.

Part No.	Page	Plate ref. No.	Per set	Part No.	Page	Plate ref. No.	Per set	Part No.	Page	Plate ref. No.	Per set
70-9024	17	24	6	71-1444	19	25	2	82-1335	43	53	2
70-9025	17	24	6	71-1445	13	4	1	82-3355	53	20	1
70-9026	17	24	6	71-1445	13	12	1	82-3665	41	10	1
70-9027	17	16	4	71-1446	15	69	6	82-3808	61	4	1
70-9028	17	16	4	71-1447	31	31	1	82-4715	19	38	3
70-9029	17	16	4	71-1449	29	3	1	82-4717	51	41	2
70-9030	17	16	4	71-1450	35	42	1	82-4717	63	35	3
70-9060	67	49	3	71-1452	27	21	1	82-5679	37	30	1
70-9073	65	39	2	71-1453	25	11	1	82-5943	37	34	4
70-9073	67	48	2	71-1454	27	8	1	82-6039	59	28	1
70-9138	57	2	1	71-1455	29	24	1	82-6738	43	31	2
70-9237	13	16	4	71-1733	17	3	1	82-6981	63	41	1
70-9239	13	15	4	71-2246	23	93	1	82-7387	41	15	1
70-9240	13	7	8	71-2248	21	75	1	82-7994	63	31	1
70-9243	65	35	3	71-2250	23	94	1	82-8245	51	14	1
70-9243	67	45	1	71-2483	59	34	1	82-8245	51	30	1
70-9251	67	53	1	71-2484	59	12	1	82-8382	41	39	1
70-9252	65	42	1	71-2500	47	28	2	82-8463	57	17	1
70-9253	65	36	3	71-2501	41	45	2	82-8468	41	19	1
70-9254	65	40	1	71-2585	13	36	1	82-8475	41	29	2
70-9255	67	52	1	71-2607	67	57	1	82-8476	41	48	1
70-9256	29	40	1	71-2608	13	3	1	82-8477	41	31	2
70-9258	29	29	1	71-2609	13	9	1	82-8478	41	30	2
70-9258	29	35	1	71-2610	13	1	1	82-8508	37	13	1
70-9266	19	39	2	71-2611	13	13	1	82-8510	37	18	1
70-9327	33	58	1	71-2612	67	47	1	82-8549	57	7	2
70-9465	17	8	4	71-2613	15	68	3	82-8582	41	47	1
70-9510	13	38	3	71-2614	17	6	1	82-8627	59	32	1
70-9558	15	46	2	71-2616	6	-	-	82-8657	59	3	4
70-9586	65	10	3	71-2660	25	2	-	82-8919	37	45	1
70-9601	25	34	1	71-2661	57	20	1	82-8979	61	41	2
70-9727	17	11	6	71-2665	65	38	1	82-8981	41	17	1
70-9739	17	28	3	71-2792	25	14	1	82-8996	41	32	1
70-9740	17	10	3	71-2820	53	26	1	82-9005	57	11	1
70-9741	17	26	3	71-2850	53	26	2	82-9007	57	16	6
70-9802	21	78	2	71-2906	13	30	1	82-9008	57	15	3
70-9807	21	72	1	71-2907	13	28	1	82-9034	37	10	2
70-9820	67	44	1	71-2956	53	38	1	82-9034	37	50	2
70-9821	65	41	1	71-2957	53	39	1	82-9041	35	4	4
70-9856	21	88	2	71-2958	53	40	1	82-9041	51	27	1
70-9885	25	24	1	71-2980	13	29	1	82-9051	37	26	2
70-9886	25	40	1	71-3211	17	31	2	82-9053	37	41	2
70-9887	25	31	1	71-3212	17	33	2	82-9054	37	43	2
				71-3213	17	32	6	82-9064	53	31	1
				71-3280	15	62	6	82-9065	53	30	2
				71-3281	15	62	6	82-9173	63	13	8
				71-3307	17	21	1	82-9174	63	12	8
				71-3311	65	43	1	82-9196	21	64	6
				71-3312	67	66	1	82-9274	63	-	1
				71-3358	5	56	6	82-9355	57	13	1
				71-3361	15	63	3	82-9378	37	3	1
				71-3362	13	41	3	82-9379	37	8	1
				71-3369	53	23	1	82-9530	59	18	1
				71-3448	17	33	2	82-9531	59	18	1
				71-3449	17	31	2	82-9562	57	5	3
				71-3574	6	-	-	82-9571	59	9	2
				71-3587	13	19	1	82-9573	59	8	4
				71-3587	15	50	1	82-9642	37	19	1
				71-3588	13	20	1	82-9652	37	37	1
				71-3588	15	51	1	82-9653	37	38	1
				71-3589	13	11	1	82-9654	57	10	3
				71-3590	15	53	1	82-9906	59	10	2
				71-3638	59	16	1	82-9918	59	14	4
								83-0002	53	18	2
								83-0281	63	3	2
				75-9089	69	8	1	83-1387	59	19	1
				75-9136	61	-	1	83-1515	41	40	1
								83-1535	41	50	2
				76-0291	19	34	1	83-1585	59	22	1
				76-0543	63	15	8	83-1752	41	13	1



NUMERICAL INDEX - contd.

Plate ref.				Plate ref.				Plate ref.			
Part No.	Page	No.	Per set	Part No.	Page	No.	Per set	Part No.	Page	No.	Per set
83-1797	41	9	1	97-1870	53	9	1	99-0590	63	18	1
83-1829	59	2	2	97-1994	61	38	2	99-0597	61	32	1
83-1952	59	23	1	97-2034	61	28	2	99-0719	63	-	1
83-2266	49	17	1	97-2108	43	4	1	99-0767	63	38	1
83-2727	51	4	1	97-2142	53	1	1	99-1006	21	51	1
83-2728	51	6	1	97-2221	43	40	1	99-1013	21	67	1
83-2800	53	19	1	97-2237	63	29	1	99-1014	19	26	1
83-2801	53	19	1	97-2259	61	27	1	99-1015	19	29	1
83-2896	41	44	1	97-2262	63	39	1	99-1018	67	62	1
83-3069	55	54	1	97-2266	43	32	1	99-0121	65	8	3
83-3092	37	22	2	97-2270	51	15	1	99-1036	65	29	3
83-3094	37	25	2	97-2270	51	29	1	99-1100	65	14	3
83-3095	37	23	2	97-2275	63	30	1	99-1119	59	11	2
83-3139	37	31	1	97-2291	43	36	2	99-1125	65	9	3
83-3140	37	31	1	97-3602	43	1	1	99-1138	21	50	1
83-3212	51	3	2	97-3682	51	-	1	99-1152	65	17	3
83-3243	6	-	-	97-3865	43	15	1	99-1154	65	19	3
83-3243	41	16	1	97-3893	45	54	2	99-1162	51	39	2
83-3450	6	-	-	97-3894	45	53	2	99-1234	19	28	2
83-3450	37	4	1	97-3947	45	57	2				
83-3468	41	6	2	97-4001	45	51	2				
83-3472	51	18	1	97-4002	43	50	2				
83-3477	51	28	1	97-4003	43	44	2				
83-3482	55	57	1	97-4004	43	49	2				
83-3486	51	38	1	97-4009	43	47	2				
83-3492	53	15	2	97-4010	43	45	2				
83-3493	53	46	2	97-4020	43	43	2				
83-3494	55	47	1	97-4021	51	10	4				
83-3495	59	26	1	97-4022	51	11	4				
83-3596	51	1	1	97-4033	45	52	1				
83-3602	37	32	1	97-4034	43	9	2				
83-3610	59	7	1	97-4076	43	48	2				
83-3630	59	25	1	97-4085	45	52	1				
83-3631	59	25	1	97-4112	53	6	4				
83-3665	67	55	1	97-4166	43	26	2				
83-3708	41	1	1	97-4182	6	-	-				
83-3725	37	12	1	97-4182	43	-	1				
83-3750	37	12	1	97-4183	43	20	1				
83-3762	53	43	1	97-4185	43	12	1				
83-3858	59	5	2	97-4188	43	13	1				
83-3875	53	8	1	97-4189	43	5	1				
83-3987	37	44	1	97-4192	43	28	2				
83-4250	55	50	1	97-4193	43	19	2				
83-4265	55	48	1	97-4195	43	23	1				
83-4268	55	57	1	97-4242	43	46	2				
83-4302	55	49	1	97-4244	43	42	2				
83-4672	55	53	1	97-4257	43	17	1				
83-4680	55	52	2	97-4270	51	9	1				
83-4681	41	37	1	97-4309	43	27	2				
83-4701	53	41	1	97-4326	43	8	2				
83-4893	49	45	1	97-4327	43	7	1				
83-4925	53	16	1	97-4475	43	18	2				
83-4926	53	16	1	97-4496	43	40	1				
83-5017	37	52	1	97-4497	43	38	1				
83-5018	39	-	1								
83-5019	59	15	1	99-0046	49	47	1				
97-0095	43	16	1	99-0062	15	54	12				
97-0430	19	37	3	99-0510	65	30	3				
97-0430	63	34	2	99-0511	65	12	3				
97-0435	43	14	1	99-0512	65	20	3				
97-0565	43	2	1	99-0513	65	11	3				
97-0987	37	5	2	99-0514	65	21	3				
97-1425	53	7	4	99-0515	65	25	3				
97-1527	43	41	2	99-0517	65	15	3				
97-1529	43	25	2	99-0520	65	26	3				
97-1529	43	37	2	99-0521	65	4	6				
97-1580	43	39	3	99-0521	65	18	6				
97-1581	43	38	2	99-0522	65	28	3				
97-1618	43	3	1	99-0563	61	14	1				
				99-0589	63	23	1				



CLASSIC
BIKE SPARES