



Replacement parts list

1973

VICTOR, Model B50 MIX

20-10219C



2P1501-05





Replacement parts list

VICTOR, Model B50MX

Birmingham Small Arms Company Incorporated
P.O. Box 6790
Towson
Baltimore
Maryland 21204
U.S.A.

Birmingham Small Arms Company Incorporated
P.O. Box 275
Duarte
California 91010
U.S.A.

© Copyright reserved

International Triumph-B.S.A. (Parts and Service) Limited
Parts Department
Montgomery Street
Birmingham B11 1DZ
England.

Telephone
021-772 0559/0537

Telegrams
"Selmoto", Birmingham

1973 Publication
Ref. 00-5736



Please Note!

Replacement parts or accessories must be as manufactured or approved by International Triumph/BSA (Parts and Service) Ltd.

In this respect your attention is drawn to the Terms and Conditions of International Triumph/BSA Guarantee.

THREADS

Details of thread form and size are quoted after description of nuts, bolts, screws, studs and washers. Such as: 14-7006 Socket screw (1/4in U.N.C. x 1in) = 1/4in diameter unified coarse thread, 1in long under head.

MATERIALS

Vital components, which are manufactured from a special material, are indicated by a sign and the British Standard symbol for the material is quoted at the foot of the page.

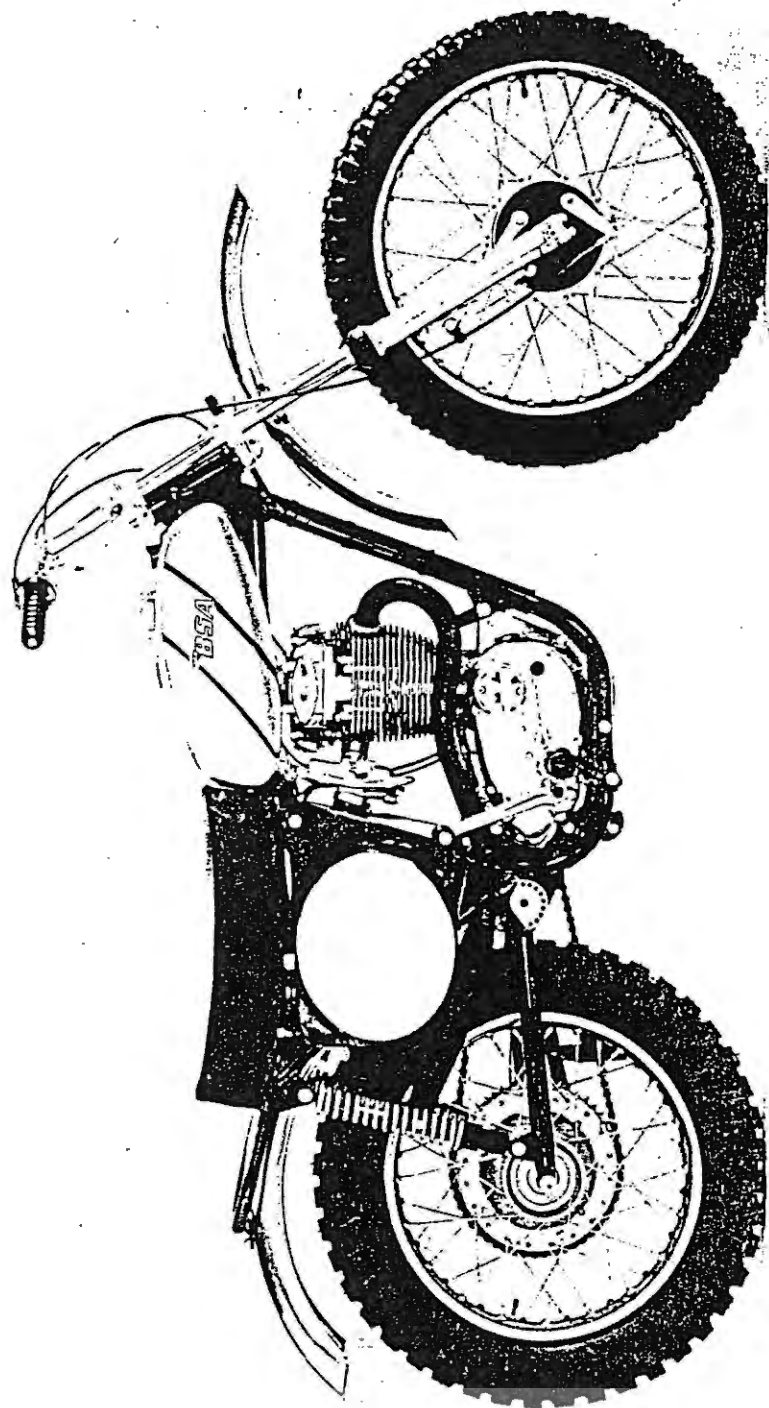
ABBREVIATIONS – SCREW THREADS

B.A.	=	British Association
B.S.C.	=	British Standard Cycle
B.S.F.	=	British Standard Fine
W.F.	=	Whitworth Form
UN.F.	=	Unified Fine
UN.C	=	Unified Coarse
UN.S.	=	Unified Special

SERVICE TOOLS

A complete range of Service tools is contained in the Service Tool Catalogue, publication No. 00-5726.





**CLASSIC
BIKE SPARES**

CARBURETTERS

AMAL LIMITED, HOLDFORD ROAD, WITTON, BIRMINGHAM 6.

CHAINS

RENOLD LIMITED, WYTHENSHAW, MANCHESTER.

CONTROLS

DOHERTY MOTOR CYCLE ACCESSORIES LIMITED, ASTON, BIRMINGHAM 18.

ELECTRICAL EQUIPMENT

JOSEPH LUCAS (SALES AND SERVICE) LIMITED, GREAT HAMPTON STREET, BIRMINGHAM 18.

REAR SUSPENSION UNITS

GIRLING LIMITED (SALES AND SERVICE), BIRMINGHAM ROAD, WEST BROMWICH,
STAFFORDSHIRE.

SPEEDOMETERS

SMITH'S INDUSTRIES LIMITED, MOTOR ACCESSORY DIVISION, 50 OXGATE LANE, LONDON N.W.2.

SPARKING PLUGS

CHAMPION SPARKING PLUG CO. LIMITED, FELTHAM, MIDDLESEX.

TYRES

DUNLOP COMPANY LIMITED, FORT DUNLOP, BIRMINGHAM 24.



ASSEMBLIES COMPLETE

Spares No.	Description
00-7009	LOCTITE PLASTIC GASKET (10 bottle trade pack).
00-7007	B.S.A. LOCTITE (10 tube trade pack).
00-3174	GASKET SET – DECARBONISING.
00-3316	GASKET SET – FULL OVERHAUL.
71-3659	ENGINE UNIT, LESS CARBURETTER AND EXHAUST SYSTEM.
71-1870	CRANKCASE COMPLETE WITH FIXED FITTINGS.
71-3001	OIL PUMP COMPLETE.
71-1675	FLYWHEEL AND CONNECTING ROD ASSEMBLY.
71-2586	CONNECTING ROD AND BIG-END ASSEMBLY.
57-4302	CLUTCH ASSEMBLY COMPLETE.
83-5108	FRAME COMPLETE.
97-4512	FRONT FORK COMPLETE.
37-4186	FRONT WHEEL LESS BRAKE.
37-4185	FRONT WHEEL WITH BRAKE.
37-4187	FRONT HUB WITH SPINDLE AND BEARINGS.
37-3959	REAR WHEEL LESS BRAKE.
37-3960	REAR WHEEL WITH BRAKE.
37-3908	REAR HUB WITH SPINDLE AND BEARING.
00-5220	TACHOMETER KIT.
60-4269	CARBURETTER COMPLETE.
83-5184	AIR FILTER BOX COMPLETE, WITH FILTER.



PISTON CHART

PISTON COMPLETE

Compression Ratio	Standard	+ 1/2 mm.	+ 1 mm.
8.5 : 1	71-2745	71-2749	71-2751

PISTON RINGS (STANDARD)

COMPRESSION (2) Taper	SCRAPER
71-2152	71-2155

PISTON RINGS (+ 1/2 mm.)

COMPRESSION (2) Taper	SCRAPER
71-2153	71-2156

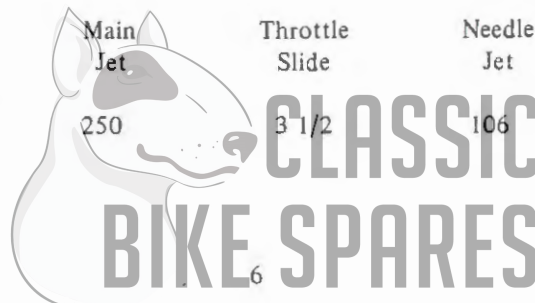
PISTON RINGS (+ 1 mm.)

COMPRESSION (2) Taper	SCRAPER
71-2154	71-2157

Note:— To standard specification, the engine includes a compression plate fitted between the cylinder barrel and the crankcase, and in this condition the compression ratio is as given above.

CARBURETTER

Spares No.	Makers No.	Main Jet	Throttle Slide	Needle Jet	Needle Position
60-4269	R932/28	250	3 1/2	106	1

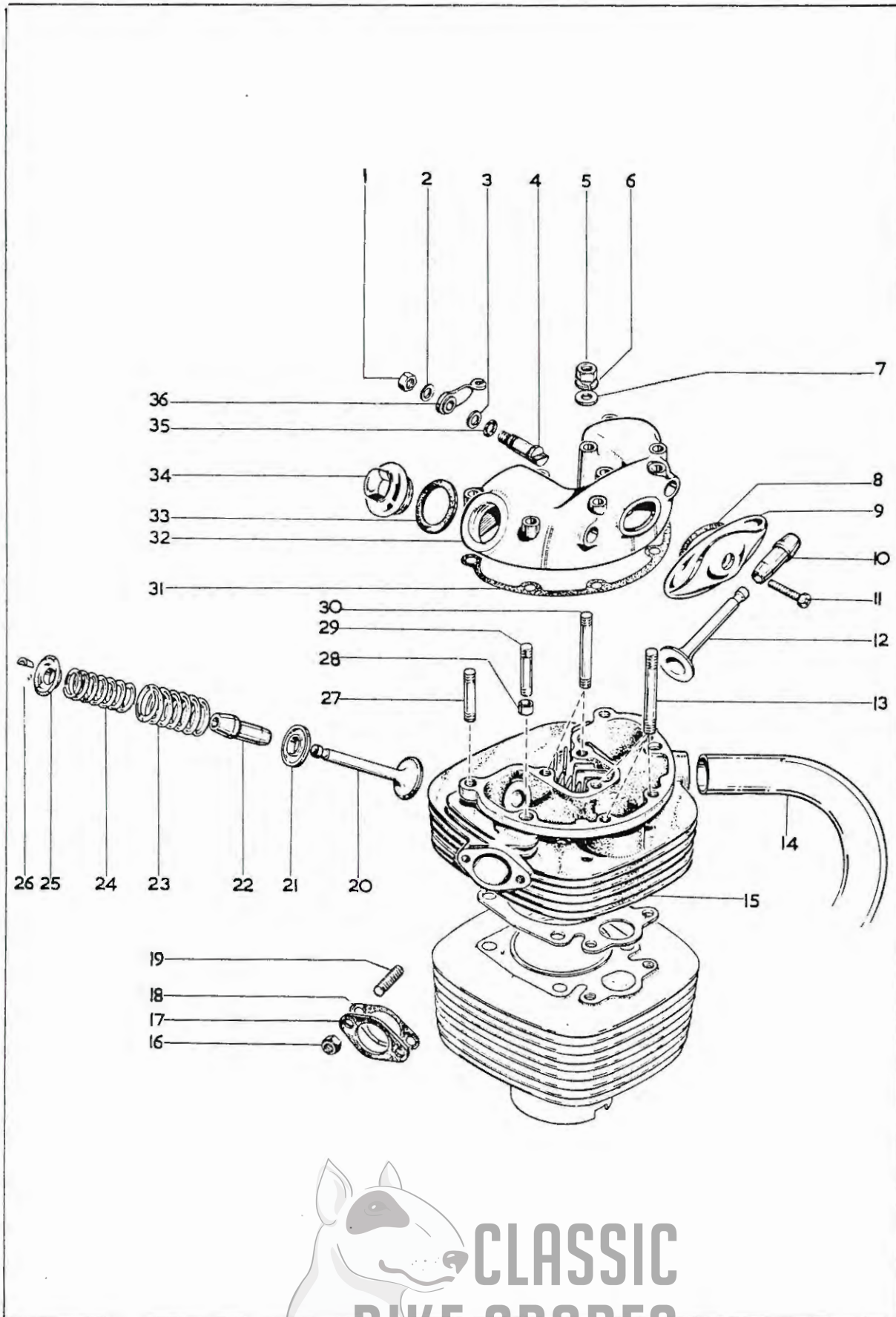


INDEX .

		<i>Page</i>
	ASSEMBLIES COMPLETE	5
Plate 1	CYLINDER HEAD – EXHAUST PIPE	8
Plate 2	CYLINDER – CRANKSHAFT – ROCKERS	10
Plate 3	CRANKCASE	12
Plate 4	OIL PUMP – SUMP – GEARBOX SPROCKET	16
Plate 5	GEAR CLUSTER	18
Plate 6	GEARCHANGE MECHANISM	20
Plate 7	KICKSTART – GEARCHANGE	22
Plate 8	CLUTCH – PRIMARY COVER	26
Plate 9	FRAME – ENGINE SHIELD	28
Plate 10	SWINGING ARM – REAR SUSPENSION – REAR BRAKE CONTROL – FOOTRESTS – SILENCERS	30
Plate 11	AIR FILTER – OIL PIPES – NUMBER PLATES – MUDGUARDS	34
Plate 12	FRONT FORKS	38
Plate 13	FRONT WHEEL	40
Plate 14	REAR WHEEL – CHAIN GUIDE	42
Plate 15	FUEL TANK – SEAT – CONTROLS	44
Plate 16	ELECTRICAL EQUIPMENT AND SUNDRIES	48
Plate 17	CARBURETTER	50



CYLINDER HEAD – EXHAUST PIPE

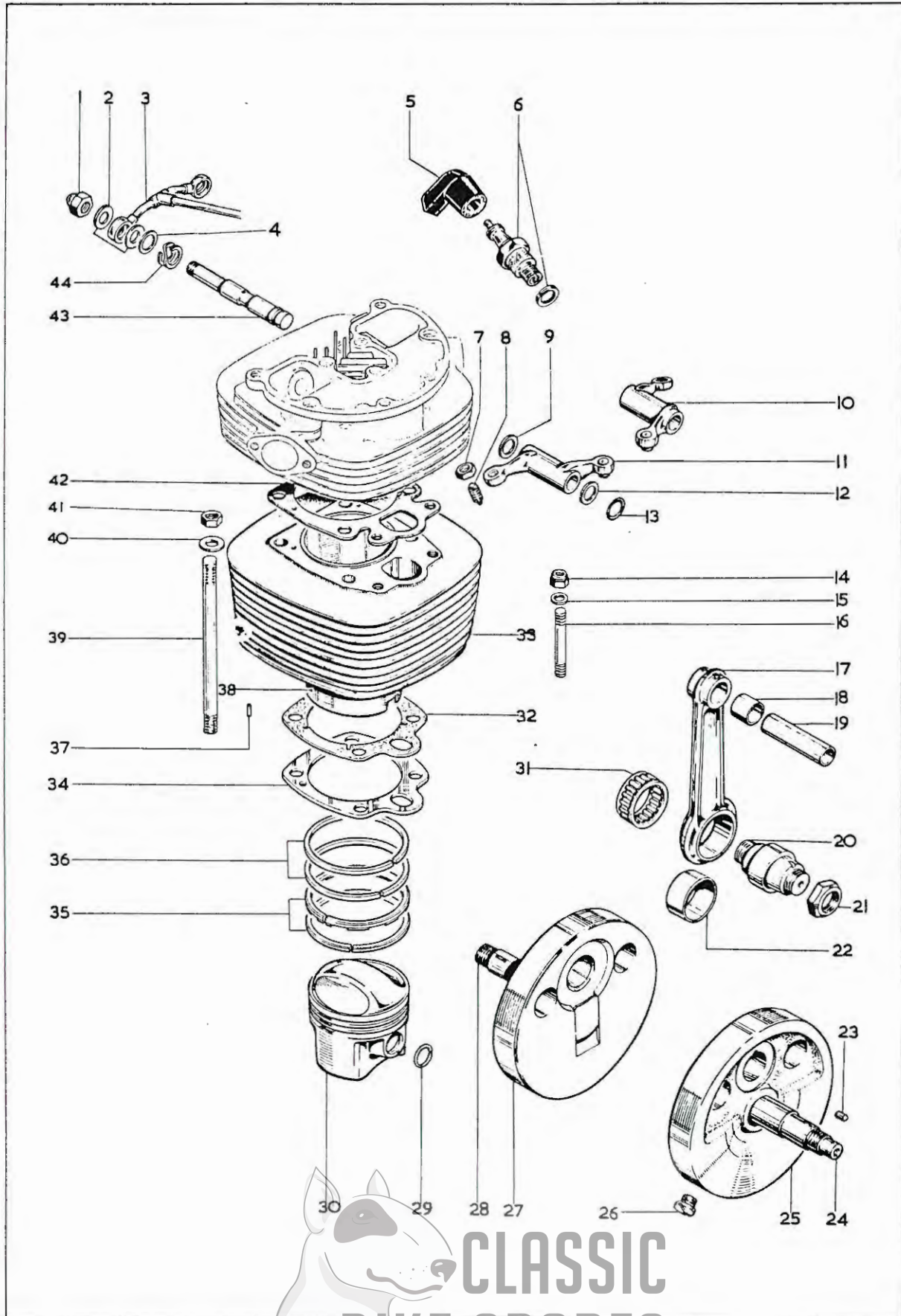


CYLINDER HEAD – EXHAUST PIPE

Key No.	Spares No.	Description	Per Set
1	60-0965	Nut – valve lifter (1/4in B.S.C.)	1
2	70-8072	Washer – valve lifter, (.255in x .500in x .048in)	1
3	82-8981	Washer – valve lifter, (.328in x .505in x .048in)	1
4	40-0417	Spindle – exhaust valve lifter	1
5	14-0302	Nut – rocker box (5/16in U.N.F.)	7
5	14-0402	Nut – rocker box, steady bracket	2
6	60-2428	Spring washer – rocker box nut	9
7	60-2330	Washer – rocker box nut (.333in x .625in x .040in)	9
8	71-1429	Gasket – rocker inspection cover	1
9	40-0208	Cover – push rod inspection	1
10	71-1627	Valve guide – exhaust	1
11	14-6610	Screw – push rod inspection cover (1/4in UN.C. x 1 1/2in)	1
12	71-1736	Exhaust valve	1
13	21-2135	Stud – cylinder head (5/16in UN.C./UN.F. x 3 1/16in)	3
14	71-3801	Exhaust pipe, complete with bracket	1
15	71-1732	Cylinder head with fixed fittings	1
16	14-0302	Nut – carburetter fixing (5/16in UN.F.)	2
17	71-2592	“Tufnol” washer – carburetter joint	1
18	71-2593	Gasket – carburetter joint	1
19	14-1619	Carburetter stud (5/16in UN.C./UN.F. x 1 1/4in)	2
20	71-1735	Inlet valve	1
21	68-0931	Cup – valve spring, bottom	2
22	71-1626	Valve guide – inlet	1
23	65-2494	Valve spring – outer	2
24	65-2495	Valve spring – inner	2
25	71-1165	Collar – valve spring, top	2
26	71-1166	Collet – valve spring	4
27	21-2133	Stud – cylinder head (5/16in UN.F./UN.C. x 2 9/16in)	2
28	71-1989	Dowel – cylinder head studs	2
29	21-2134	Stud – cylinder head (5/16in UN.C./UN.F. x 2 13/16in)	2
30	21-2092	Stud – rocker box (5/16in UN.C./UN.F. x 3 1/4in)	2
31	71-1623	Gasket – rocker box	1
32	71-3255	Rocker box	1
33	97-3765	“O” ring – valve inspection cap	2
34	71-3256	Cap – valve inspection	2
35	70-8158	“O” ring – valve lifter spindle	1
36	71-2938	Lever – exhaust valve lifter	1
	60-2428**	Spring washer – carburetter fixing nut	2

**Not illustrated.



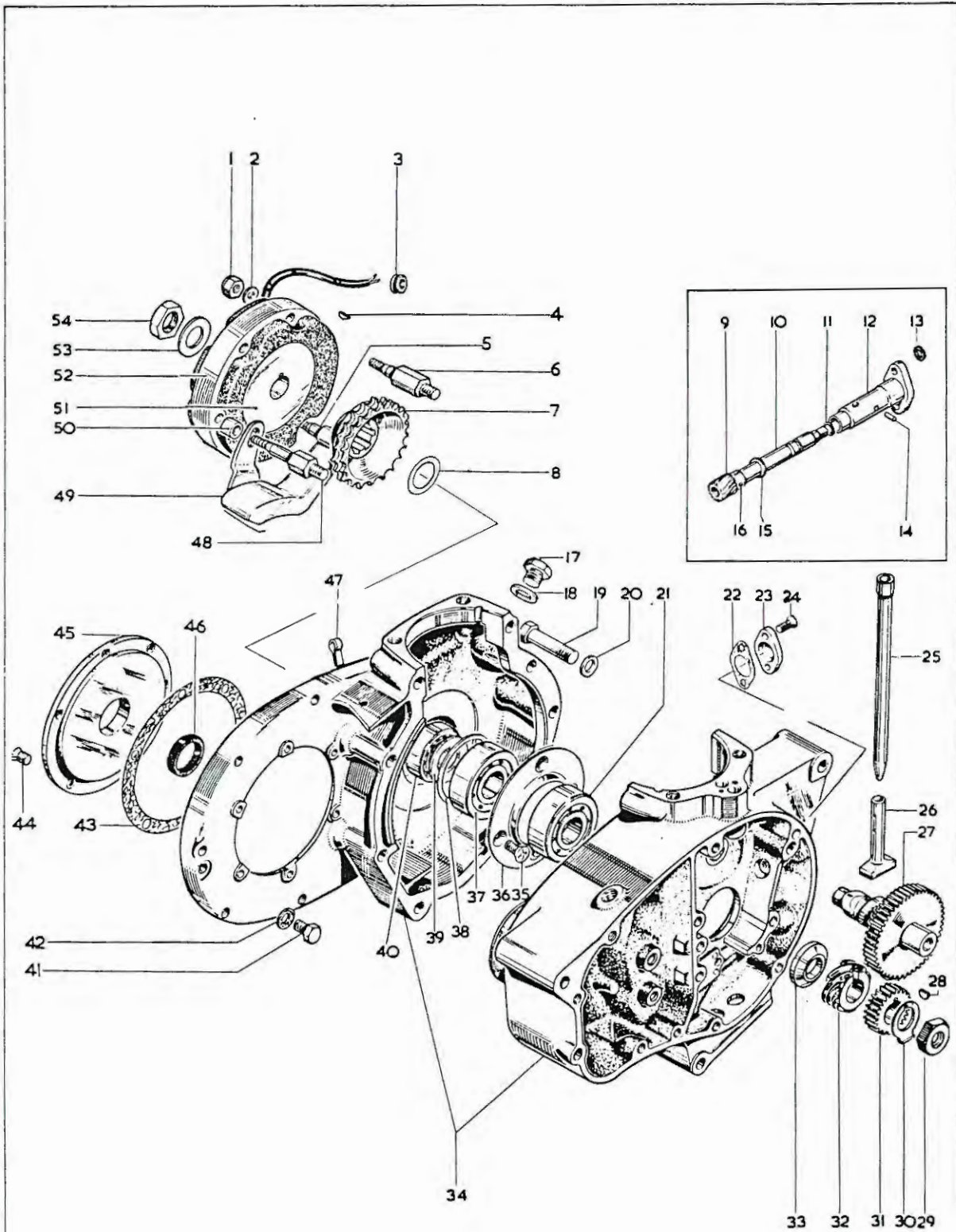


CYLINDER – CRANKSHAFT – ROCKERS

Key No.	Spares No.	Description	Per Set
1	70-1435	Nut – rocker spindle (domed 3/8in B.S.C.)	2
2	70-1335	Copper washer – oil feed union	2
3	41-0807	Rocker oil feed pipe	1
4	70-1335	Copper washer – oil feed union	2
5	60-0262	Spark plug cover – Champion WC200	1
6	19-7606	Spark plug – Champion N3 (with washer)	1
7	24-0563	Nut – rocker adjusting screw (5/16in B.S.C.)	2
8	68-0155	Screw – rocker adjusting (5/16in B.S.C.)	2
9	70-1330	Thrust washer – rocker spindle	2
10	40-0296	Rocker complete – exhaust	1
11	40-0292	Rocker complete – inlet	1
12	70-1575	Thrust washer – rocker spindle	2
13	40-0148	“O” ring – rocker spindle	2
14	14-1302	Nut – cylinder barrel stud (5/16in UN.F.)	2
15	70-8215	Washer – cylinder barrel stud (.328in x .563in x .093in)	2
16	21-2034	Stud – cylinder barrel (5/16in UN.C./UN.F. x 3 1/8in)	2
17	71-1635	Connecting rod complete	1
18	66-0492	Bush – connecting rod small-end	1
19	71-2747	Gudgeon pin	1
20	71-1616	Crankpin	1
21	41-0588	Nut – crankpin	2
22	71-1199	Bush – connecting rod big-end	1
23	41-0551	Peg – crankpin location	1
24	71-1681	Engine shaft – right	1
25	71-1677	Flywheel complete – right	1
26	71-1678	Flywheel plug	1
27	71-1676	Flywheel complete – left	1
28	71-1632	Engine shaft – left	2
29	71-2970	Circlip – gudgeon pin locating	2
30	71-2745*	Piston complete (standard)	1
31	70-7850	Needle roller – big-end bearing	1
32	71-1624	Gasket – cylinder liner	1
33	71-1219	Cylinder barrel complete	1
34	71-3634	Compression plate	1
35	71-2155*	Piston ring – scraper, (standard) (Comprising 2 parts)	1
36	71-2152*	Piston ring – taper (standard)	2
37	71-2549	Peg – cylinder liner	1
38	71-1218	Liner – cylinder barrel	1
39	21-2033	Stud – cylinder head and barrel fixing (7/16in UN.F/UN.C. x 7 3/8in)	4
40	41-0639	Washer – cylinder barrel (.440in x .781in x .128in)	4
41	14-0304	Nut – cylinder barrel (7/16in UN.F.)	4
42	71-1625	Gasket – cylinder head	1
43	40-0294	Rocker spindle – inlet and exhaust	2
44	70-1574	Spring washer – rocker spindle	2
	71-1675	Flywheel and connecting rod assembly	1
	71-2586	Connecting rod and crankpin assembly	1

*See page 6 for piston details



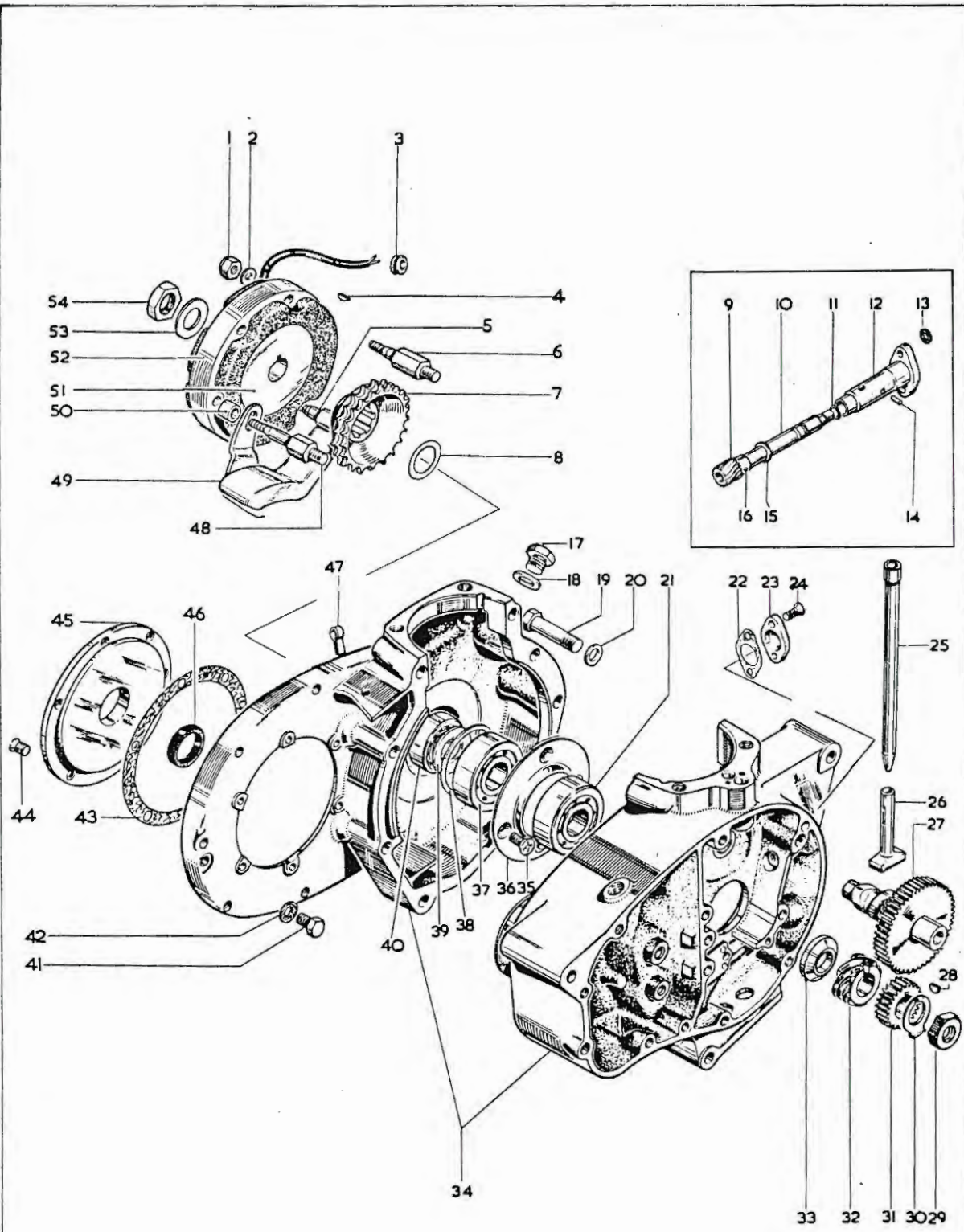


CRANKCASE

Key No.	Spares No.	Description	Per Set
1	14-1901	Nut – stator fixing (1/4in UN.F.)	3
2	70-8072	Washer – stator fixing (.255in x .500in x .048in)	3
3	70-8148	Grommet – alternator lead	1
4	70-8144	Key – alternator rotor	1
5	21-1896	Stud – stator fixing, bottom	1
6	21-1895	Stud – stator fixing, front	1
7	71-1634	Engine sprocket – 28 teeth	1
8	71-1630	Shim (.015in) – engine sprocket	as reqd.
8	71-1629	Shim (.030in) – engine sprocket	as reqd.
	71-3231*	Tachometer drive assembly complete	1
9	70-9382	Gear – tachometer drive shaft	1
10	71-3233	Tachometer drive shaft	1
11	70-9430	“O” ring – drive shaft	1
12	71-3232	Housing – tachometer drive shaft	1
13	70-8256	Sealing washer – drive shaft	1
14	70-9431	Pin – drive shaft locating	1
15	70-9383	Thrust washer – drive shaft	1
16	70-9429	Pin – drive gear retaining	1
17	21-1872	Plug – timing aperture	1
18	70-8896	Washer – timing aperture plug	1
19	14-6219	Bolt – crankcase (5/16in UN.C. x 1 1/2in)	3
20	70-8088	Washer – crankcase bolt (.317in x .625in x .064in)	3
21	70-9974	Bearing – roller, right (Hoffmann R325L)	1
22	71-1422	Gasket – tachometer drive	1
23	70-9384	Plate – tachometer drive cover	1
24	57-1150	Screw – tachometer drive (2B.A. x 27/64in countersunk)	2
25	71-3657	Push rod – inlet and exhaust	2
26	71-2513	Tappet – inlet and exhaust	2
27	71-1680	Camshaft complete	1
28	70-1580	Key – crankshaft pinion	1
29	21-2039	Nut – crankshaft, right (5/8in UN.F.)	1
30	70-8043	Lockwasher – crankshaft nut	1
31	70-8040	Pinion – crankshaft	1
32	70-8041	Oil pump drive – crankshaft	1
33	70-9975	Distance piece – oil pump drive	1
34	†71-1870	Crankcase complete with fixed fittings	1
35	14-6502	Screw – bearing retaining ring (1/4in UN.C. x 1/2in)	4
36	71-2649	Retaining ring – left, crankcase bearing	1
37	70-9974	Bearing – roller, left, inner (Hoffmann R325L)	1
38	71-2650	Distance piece – left, crankcase bearings, outer races	1
39	71-1631	Distance piece – left, crankcase bearings, inner races	1
40	37-2363	Bearing – ball, left, outer (Hoffmann LS9)	1
41	14-6102	Bolt – chain oiler blanking (1/4in UN.C. x 5/8in)	1
42	70-8180	Fibre washer – chain oiler blanking	1
43	71-1419	Gasket – primary chaincase backplate	1
44	70-3821	Screw – primary chaincase backplate (2B.A. x 5/16in)	6
45	70-3789	Backplate – primary chaincase	1
46	70-3833	Oil seal – primary chaincase backplate	1
47	70-8147	Clip – alternator lead	1
48	21-1894	Stud – stator fixing, rear	1

* See page 5 for tachometer kit complete

† Crankcase halves not supplied separately.

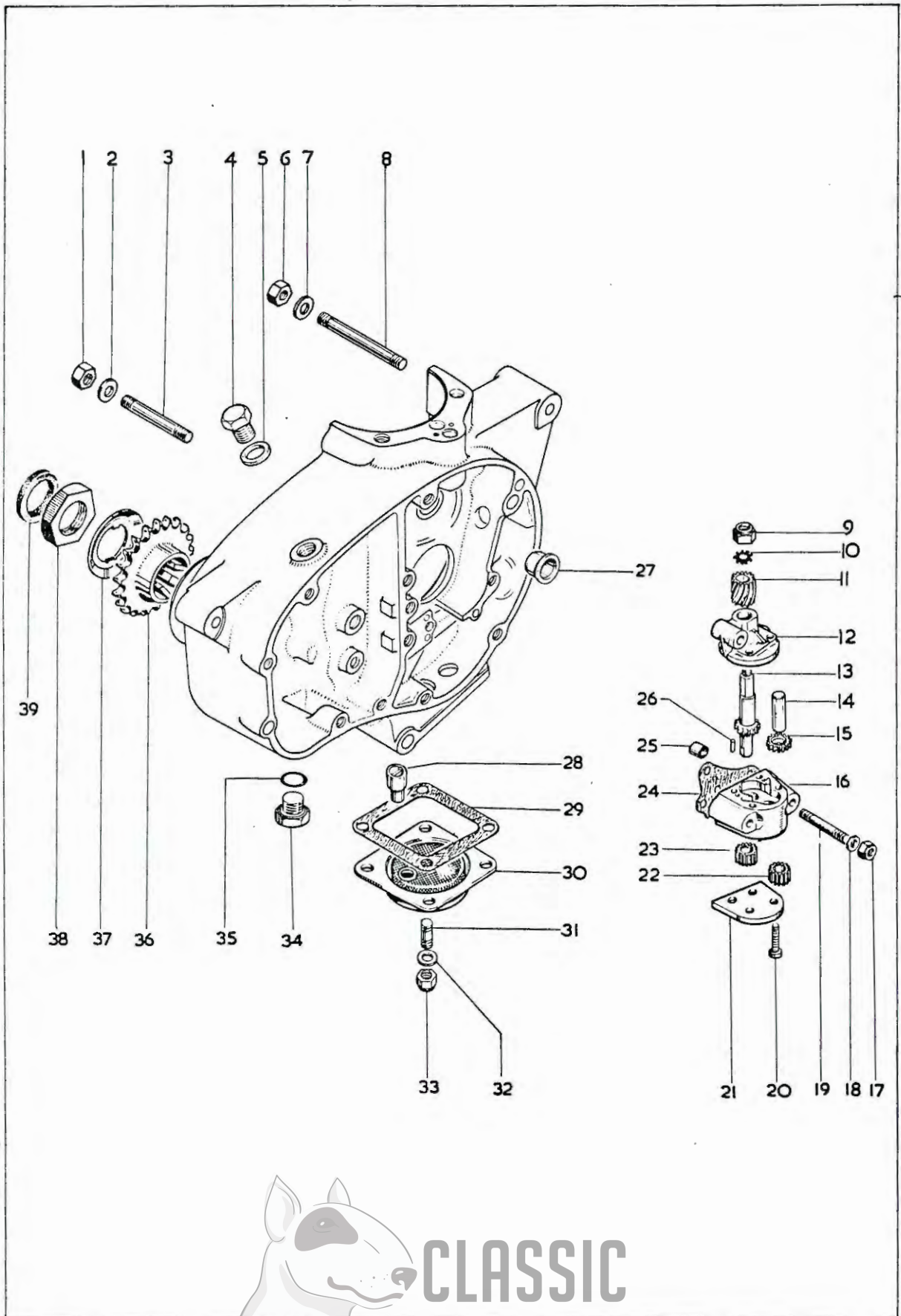


CRANKCASE

Key No.	Spares No.	Description	Per set
49	71-8184	Primary chain tensioner	1
50	70-8143	Distance piece – generator (.470in)	1
50	71-2923	Distance piece – chain tensioner (.62in)	1
51	19-8019	Alternator rotor (Lucas 54213901)	1
52	19-1286	Alternator stator (Lucas 47230)	1
53	71-1731	Lockwasher – rotor fixing	1
54	21-2066	Nut – rotor fixing (5/8in UN.F.)	1
	60-3921**	Bolt – Tachometer drive fixing	2
	60-2426**	Spring Washer – Tachometer drive fixing bolt	2

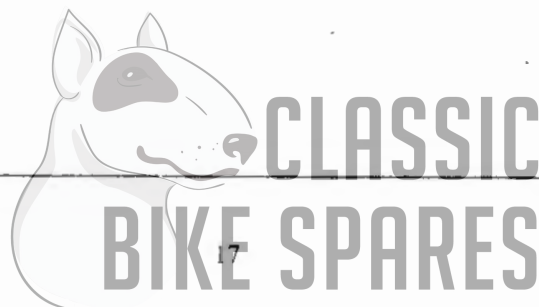
**Not illustrated

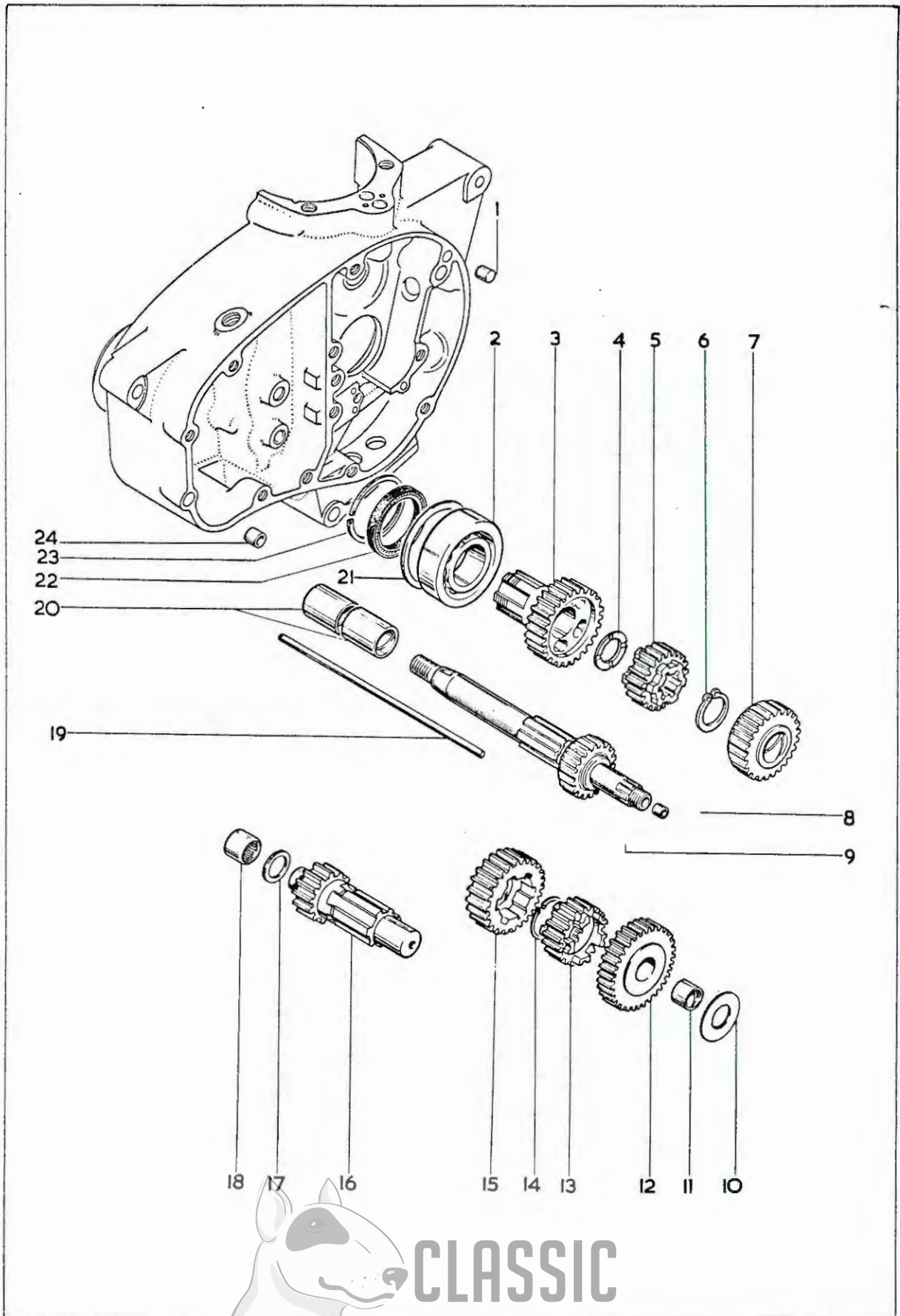




OIL PUMP – SUMP – GEARBOX SPROCKET

Key No.	Spares No.	Description	Per Set
1	14-0302	Nut – crankcase stud (5/16in UN.F.)	2
2	70-8088	Washer – crankcase stud (.317in x .625in x .064in)	2
3	21-1890	Stud – crankcase, rear (5/16in UN.F./UN.C. x 2 11/16in)	2
4	57-4679	Gearbox filler plug	1
5	57-4681	Washer – gearbox filler plug	1
6	14-0302	Nut – crankcase stud (5/16in UN.F.)	2
7	70-8088	Washer – crankcase stud (.317in x .625in x .064in)	2
8	21-2042	Stud – crankcase, top	2
9	14-1301	Nut – oil pump drive gear fixing	1
10	70-9041	Washer – oil pump drive gear fixing	1
11	70-8094	Driving gear – oil pump	1
12	71-2119	Spindle housing – oil pump	1
13	71-2123	Driving spindle – oil pump	1
14	71-1147	Spindle – oil pump driven gears	1
15	71-2121	Gear – oil pump feed, driven	1
16	71-3001	Oil pump complete	1
17	14-1901	Nut – oil pump fixing (1/4in UN.F.)	3
18	70-8104	Washer – oil pump fixing (.266in x .625in x .056in)	3
19	21-0597	Stud – oil pump fixing (1/4in UN.F./UN.C. x 2 1/8in)	2
19	14-1606	Stud – oil pump fixing (1/4in UN.F./UN.C. x 1 3/4in)	1
20	70-8100	Screw – oil pump cover plate (3/16in B.S.C. x 1 5/16in)	4
21	70-8099	Cover plate – oil pump	1
22	71-2124	Scavenge gear – oil pump, driven	1
23	71-2122	Scavenge gear – oil pump, driving	1
24	71-2115	Gasket – oil pump	1
25	70-8022	Dowel – oil pump locating	2
26	71-1148	Dowel – oil pump body locating	2
27	70-8315	Bush – camshaft, at crankcase	1
28	71-2771	Scavenge valve complete	1
29	71-1424	Gasket – scavenge cover	1
30	71-2933	Sump filter	1
31	14-1401	Stud – scavenge cover fixing (1/4in UN.F./UN.C. x 1in)	4
32	70-8071	Washer – scavenge cover fixing (.255in x .500in x .048in)	4
33	14-1901	Nut – scavenge cover fixing (1/4in UN.F.)	4
34	21-2111	Drain plug – gearbox	1
35	60-3530	“O” ring – drain plug	1
36	57-4306	Gearbox sprocket – 14 teeth	1
37	57-2702	Lockwasher – gearbox sprocket	1
38	57-1434	Nut – gearbox sprocket (1 3/16in x 20 t.p.i., W.F.)	1
39	57-2677	Felt washer – gearbox sprocket	1



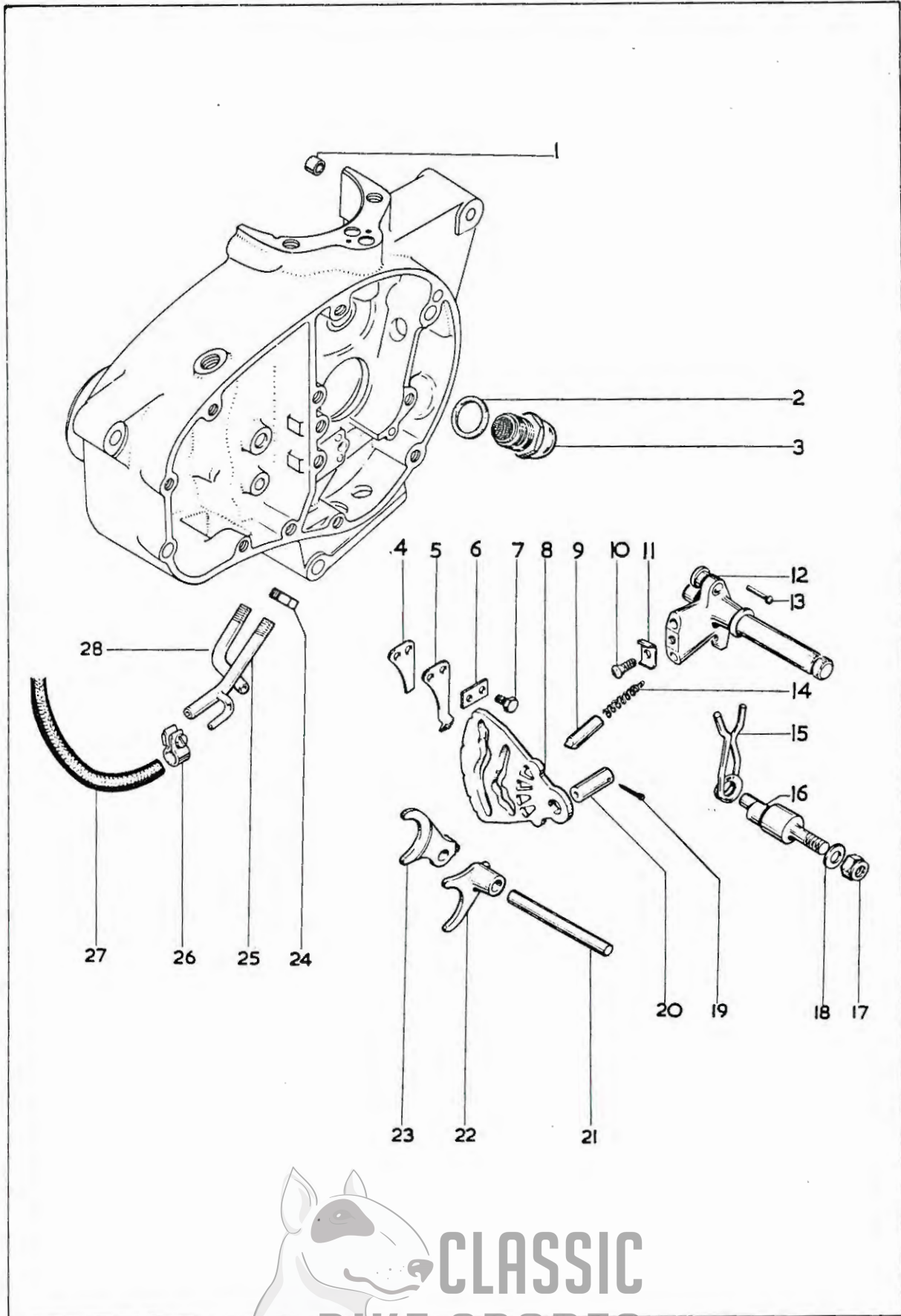


GEAR CLUSTER

Key No.	Spares No.	Description	Per Set
1	70-8011	Dowel – inner cover locating, front	2
2	70-8014	Bearing – gearbox mainshaft, left (Hoffmann 130)	1
3	57-3872	Gear – mainshaft top (22 teeth)	1
4	57-2678	Thrust washer (.093in – .094in)	as reqd.
4	57-2679	Thrust washer (.098in – .099in)	as reqd.
4	57-2680	Thrust washer (.103in – .104in)	as reqd.
5	57-3876	Gear – mainshaft second (21 teeth)	1
6	57-2669	Circlip – mainshaft third gear	1
7	57-4665	Gear – mainshaft third (24 teeth)	1
8	57-1391	Bush – mainshaft, clutch pushrod	1
9	57-4682	Mainshaft (complete with 18T gear)	1
10	57-2670	Shim – layshaft first gear	1
11	57-2752	Bush – layshaft first gear	1
12	41-3073	Gear – layshaft first (25 teeth)	1
13	57-3877	Gear – layshaft third (19 teeth)	1
14	57-2669	Circlip – layshaft second gear	1
15	57-2668	Gear – layshaft second (22 teeth)	1
16	57-2667	Layshaft with top gear (14 teeth)	1
17	57-2671	Thrust washer (.083in – .085in)	as reqd.
17	57-2672	Thrust washer (.078in – .080in)	as reqd.
18	70-8005	Bearing – needle roller, layshaft (Torrington B108)	1
19	57-2733	Clutch push rod	1
20	57-2753	Bush – mainshaft top gear	1
21	71-1271	Shield – left gearbox bearing	1
22	70-8015	Oil Seal – gearbox	1
23	70-6026	Circlip – gearbox oil seal	1
24	71-2547	Dowel – inner cover locating, rear	1



GEARCHANGE MECHANISM

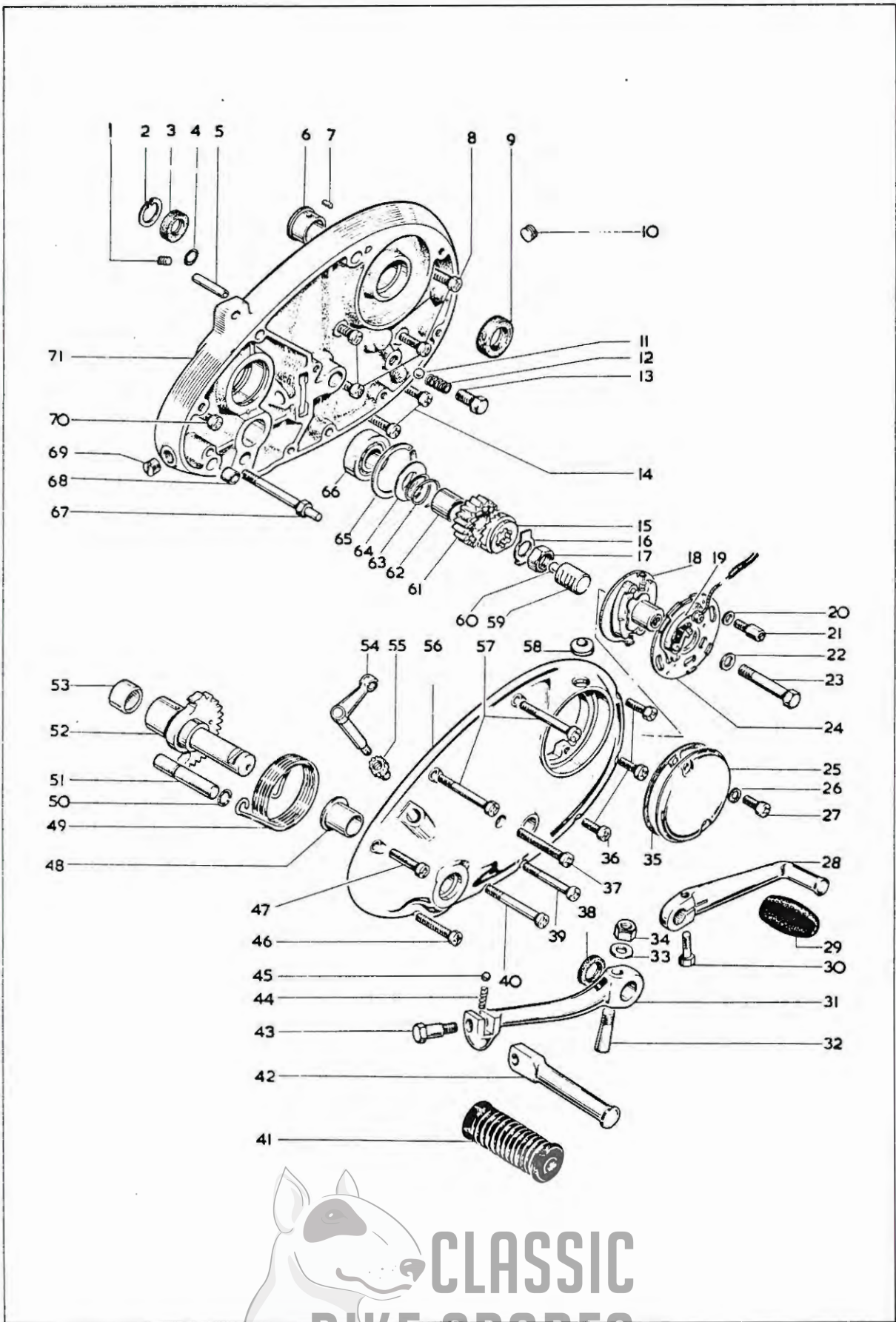


GEARCHANGE MECHANISM

Key No.	Spares No.	Description	Per Set
1	70-8009	Dowel - crankcase locating	1
2	70-9737	Joint washer - pressure release valve	1
3	71-3684	Pressure release valve complete	1
4	57-1249	Spring plate	1
5	57-2691	Spring - camplate locating	1
6	57-1180	Lockplate - camplate spring	1
7	57-1076	Screw - camplate spring (2B.A. x 3/8in)	2
8	57-3850	Camplate - gearchange	1
9	57-2105	Plunger - gearchange quadrant	2
10	57-2435	Screw - plunger retaining plate (5B.A. x 5/16in)	1
11	57-2107	Retaining plate - quadrant plungers	1
12	57-2692	Gearchange quadrant complete	1
13	57-1277	Rivet - plunger spring	2
14	57-2106	Plunger spring	2
15	57-1109	Gearchange return spring	1
16	57-4454	Anchor bolt - return spring	1
17	14-1302	Locknut - footchange return spring anchor (5/16in UN.F.)	1
18	60-2428	Washer - return spring anchor	1
19	60-2724	Split pin - camplate spindle locating (3/32in x 1in)	1
20	57-4048	Spindle - camplate	1
21	57-2688	Spindle - selector forks	1
22	57-2689	Selector fork - layshaft	1
23	57-4603	Selector fork - mainshaft	1
24	21-2117	Nut - oil feed and return pipes	2
25	71-2656	Oil return pipe	1
26	70-8111	Clamp - rocker feed pipe	1
27	70-8106	Rocker oil feed pipe	1
28	71-2658	Oil feed pipe	1
	71-1003**	Washer - oil feed and return pipes nut (.385in x .625in x .048in)	2

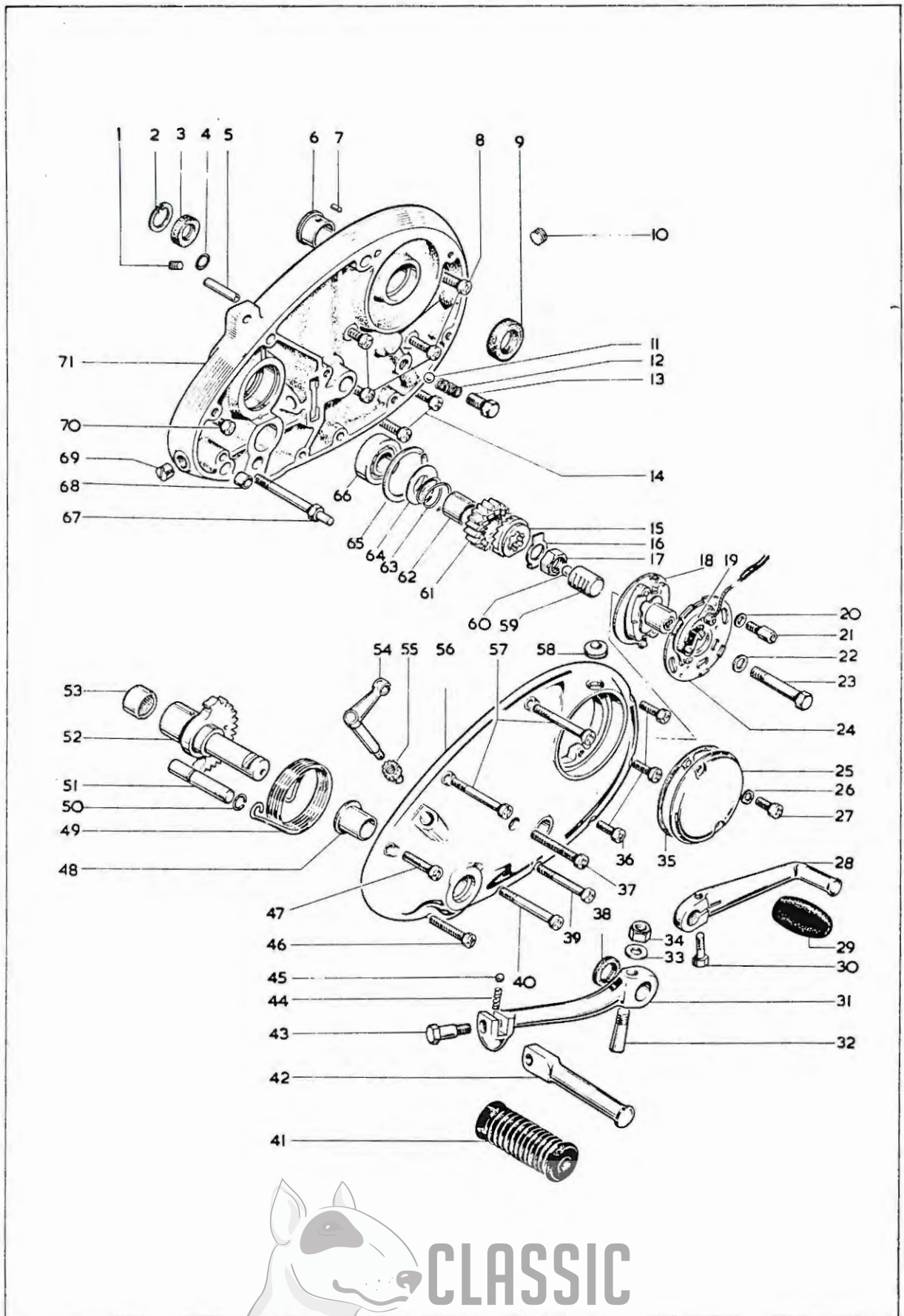
**Not illustrated





KICKSTART – GEARCHANGE

Key No.	Spares No.	Description	Per Set
1	70-8162	Plug – mainshaft oil feed	1
2	70-8157	Circlip – crankshaft oil seal	1
3	70-8154	Oil seal – crankshaft	1
4	70-8158	“O” ring – inner cover	1
5	57-1026	Breather pipe – inner cover	1
6	70-8150	Bush – camshaft, at inner cover	1
7	70-3172	Peg – camshaft bush locating	1
8	14-6610	Screw – inner cover to crankcase (1/4in UN.C. x 1 1/2in)	4
9	70-8153	Oil seal – camshaft	1
10	70-9526	Sealing plug	1
11	60-2364	Ball – non-return valve (1/4in)	1
12	40-0385	Spring – non-return valve	1
13	21-2044	Plug – non-return valve	1
14	14-6606	Screw – inner cover, bottom (1/4in UN.C. x 3/4in)	2
15	57-4339	Kickstart ratchet	1
16	57-4343	Lockwasher – kickstart ratchet nut	1
17	57-2686	Nut – kickstart ratchet	1
18	19-1947	Auto-advance unit – 15° range (Lucas 54425655)	1
19	19-1948	Contact set (Lucas 60600271)	1
20	70-8164	Washer – contact breaker plate fixing (.182in x .375in x .064in)	2
21	70-4747	Pillar bolt – contact breaker plate fixing	2
22	71-8163	Washer – auto-advance unit fixing	1
23	14-0208	Bolt – auto-advance unit fixing (1/4in UN.F. x 2 1/4in)	1
24	19-1949	Contact breaker plate complete (Lucas 55425458)	1
25	70-8737	Cover – contact breaker complete	1
26	97-0430	Fibre washer – contact breaker cover	2
27	70-7354	Screw – contact breaker cover fixing (2B.A. x 1 1/2in)	2
28	57-1164	Gearchange pedal	1
29	57-2648	Rubber – gearchange pedal	1
30	21-5403	Bolt – gearchange pedal (1/4in B.S.C. x 3/4in)	1
31	57-4556	Kickstart lever complete	1
31	57-4555	Crank only – kickstart lever	1
32	57-4357	Cotter – kickstart lever	1
33	60-2320	Washer – kickstart lever cotter (.270in x .562in x .056in)	1
34	14-1301	Nut – kickstart lever cotter (1/4in UN.F.)	1
35	71-1423	Gasket – contact breaker cover	1
36	70-8169	Screw – outer cover (2B.A. x 5/8in)	3
37	14-6611	Screw – outer cover (1/4in UN.C. x 1 3/4in)	1
38	57-2641	Oil seal – kickstart spindle	1
39	14-6612	Screw – outer cover (1/4in UN.C. x 2in)	1
40	14-6614	Screw – outer cover (1/4in UN.C. x 2 1/2in)	1
41	57-2330	Rubber – kickstart lever pedal	1
42	57-1272	Folding pedal – kickstart lever	1
43	21-0541	Bolt – kickstart folding pedal	1
44	57-1167	Spring – kickstart folding pedal	1
45	60-2364	Ball – kickstart folding pedal (1/4in)	1
46	14-6610	Screw – outer cover (1/4in UN.C. x 1 1/2in)	1
47	14-6606	Screw – outer cover (1/4 UN.C. x 3/4in)	1
48	57-4559	Bush – kickstart spindle	1
49	57-4338	Spring – kickstart lever return	1
50	57-2658	Circlip – kickstart quadrant stop locating	1



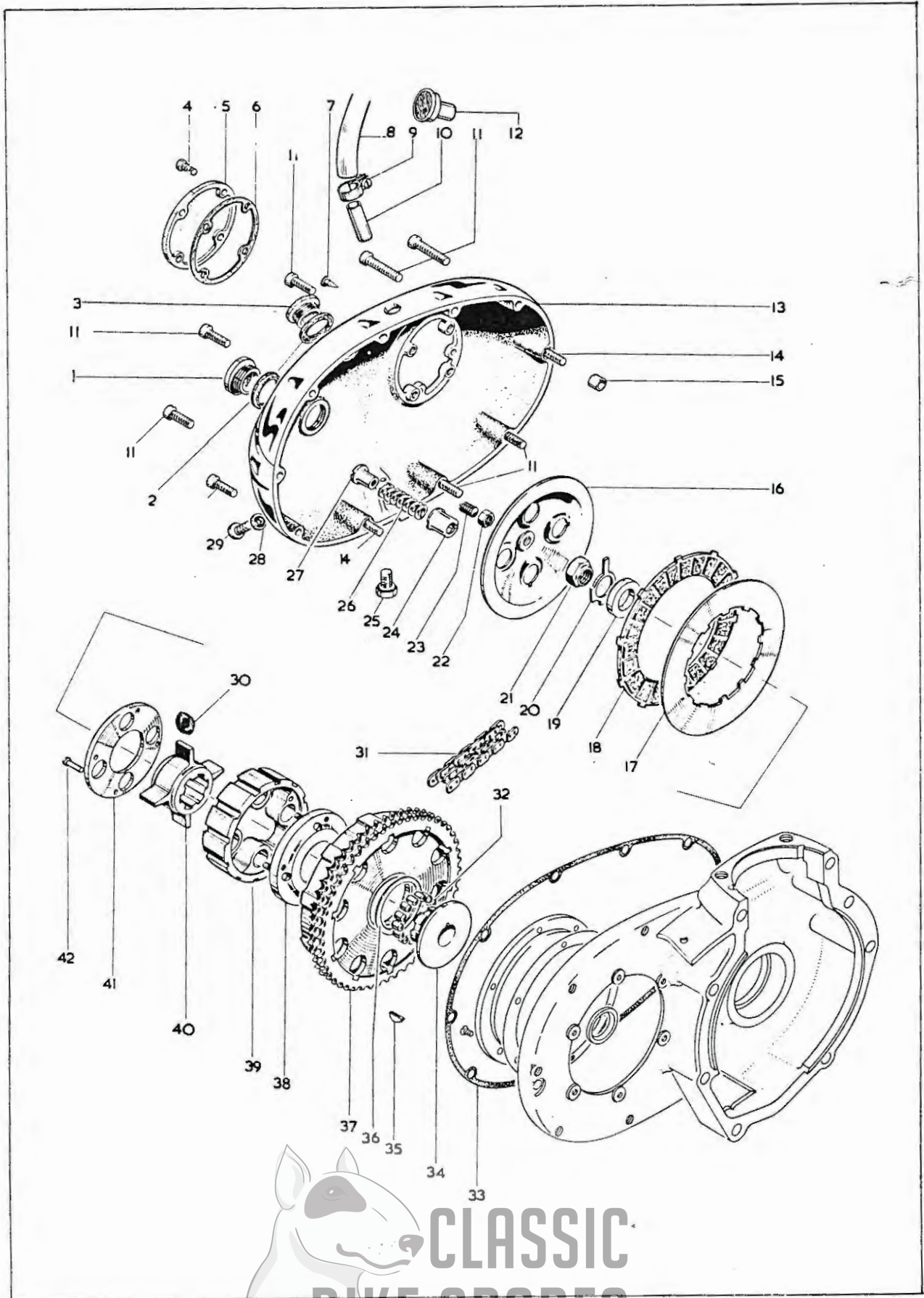
KICKSTART – GEARCHANGE

Key No.	Spares No.	Description	Per Set
51	57-4342	Stop – kickstart quadrant	1
52	57-4639	Kickstart spindle and quadrant assembly	1
53	70-8005	Bearing – layshaft, kickstart spindle (Torrington B108)	1
54	57-2750	Clutch lever	1
55	57-2700	Pinion – clutch operating lever	1
56	71-3276	Outer timing cover complete	1
57	14-6612	Screw – outer cover (1/4in UN.C. x 2in)	2
58	60-3755	Grommet – contact breaker lead	1
59	57-2699	Rack – clutch operating	1
60	60-2363	Ball – clutch push rod (7/32in)	1
61	57-4336	Kickstart ratchet pinion	1
62	57-2682	Bush – kickstart ratchet pinion	1
63	57-2684	Spring – kickstart ratchet	1
64	57-4452	Washer – kickstart ratchet spring	1
65	70-8152	Circlip – gearbox mainshaft bearing	1
66	70-8151	Bearing – gearbox mainshaft, at inner cover (Hoffmann LS7)	1
67	57-3764	Anchor – kickstart return spring	1
68	70-8010	Dowel – outer to inner cover	2
69	21-1899	Screwed plug – inner cover	1
70	14-6608	Screw – inner cover (1/4in UN.C. x 1in)	1
71	71-2652	Inner cover complete	1
	70-1335**	Washer – screwed plug, inner cover	1

**Not illustrated

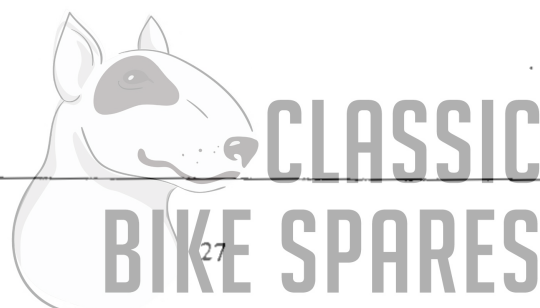


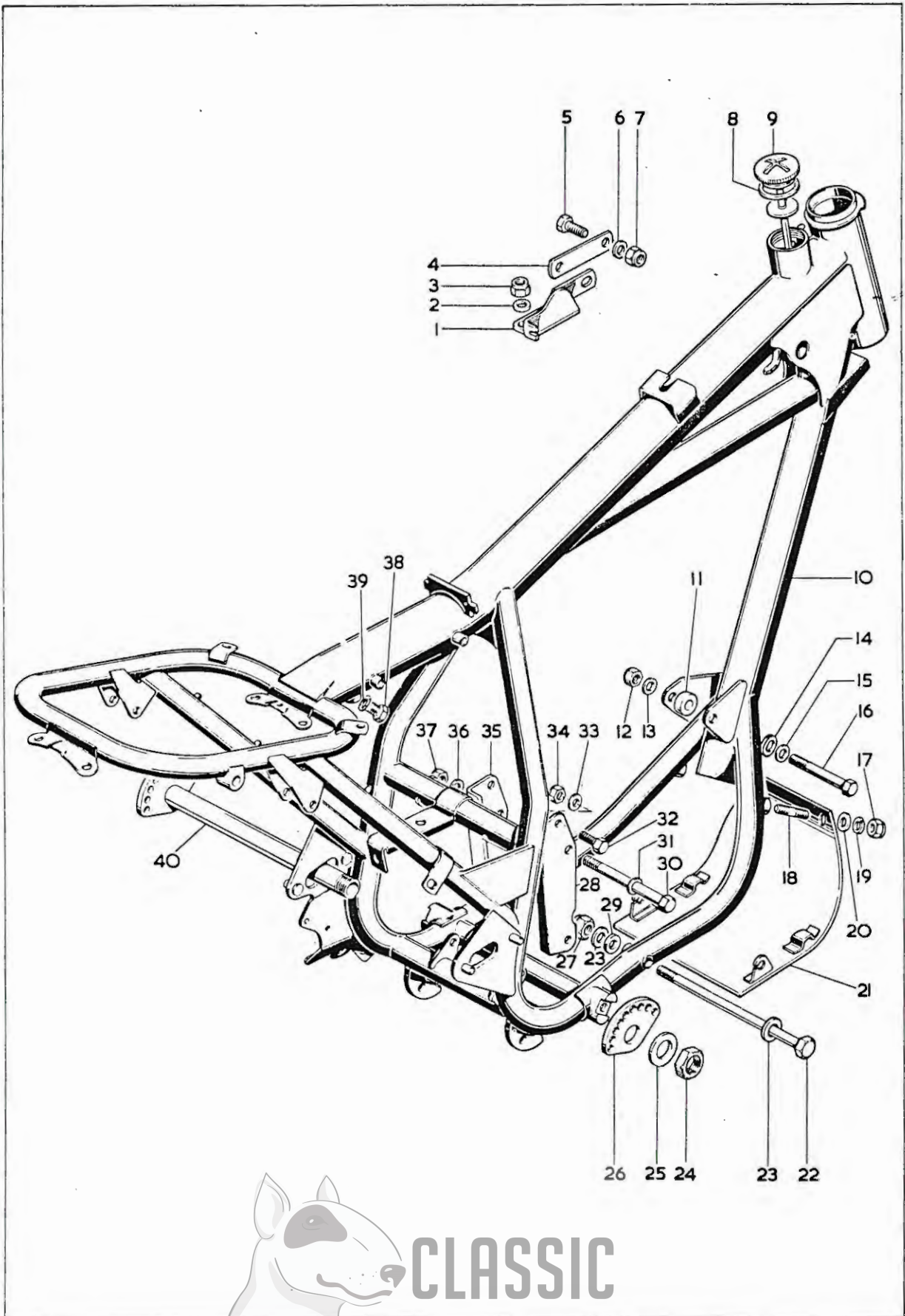
CLUTCH - PRIMARY COVER



CLUTCH – PRIMARY COVER

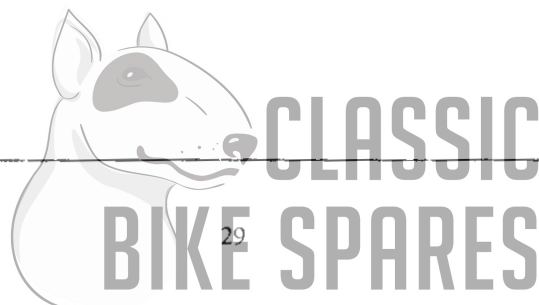
Key No.	Spares No.	Description	Per Set
	57-4302	Clutch assembly complete	1
1	57-2166	Inspection plug – primary cover	1
2	70-8782	Washer – inspection plugs	2
3	57-2166	Inspection plug – primary cover	1
4	70-8177	Screw – inspection cover (2B.A. x 1/2in)	4
5	68-0839	Cover – timing inspection	1
6	71-1420	Gasket – inspection cover	1
7	71-1619	Ignition timing pointer	1
8	83-5115	Breather pipe (long)	1
9	60-2252	Clip – breather pipe	1
10	71-2927	Stub – breather outlet	1
11	14-6610	Screw – primary cover (1/4in UN.C. x 1 1/2in)	8
12	60-3745	Filter – breather pipe	1
13	71-2932	Primary cover complete	1
14	21-2153	Screw – primary cover, at dowel holes (1/4in UN.C. x 1 39/64in)	2
15	70-8010	Dowel – primary cover locating	2
16	57-4019	Pressure plate	1
17	57-2725	Driven plate	5
18	57-2726	Driving plate	5
19	57-2731	Distance piece – clutch retaining nut	1
20	57-2732	Lockwasher – clutch retaining nut	1
21	57-2730	Nut – clutch centre retaining (1/2in B.S.C.)	1
22	14-0401	Nut – clutch push rod adjusting screw (1/4in UN.F.)	1
23	57-4189	Screw – clutch push rod adjuster	1
24	57-4121	Cup – pressure plate spring	4
25	21-1943	Drain plug – primary case	1
26	41-3091	Spring – pressure plate	4
27	41-3215	Nut – pressure plate spring adjuster	4
28	71-1065	Washer – oil level screw	1
29	14-7804	Screw – oil level	1
30	41-3212	Rubber – shock absorber	8
31	41-0660	Primary chain – endless (72 pitches)	1
32	57-2719	Roller (3/16in x 3/16in)	25
33	71-1418	Gasket – primary cover	1
34	57-4200	Clutch hub	1
35	57-2714	Key – clutch hub	1
36	57-3931	Thrust washer	1
37	57-4198	Clutch chainwheel	1
38	57-4508	Retaining plate – inner	1
39	57-4531	Clutch centre assembly	1
39	57-4511	Clutch centre	1
40	57-2715	Clutch spider	1
41	57-4510	Retaining plate – outer	1
42	57-4507	Rivet – inner and outer retaining plates	4



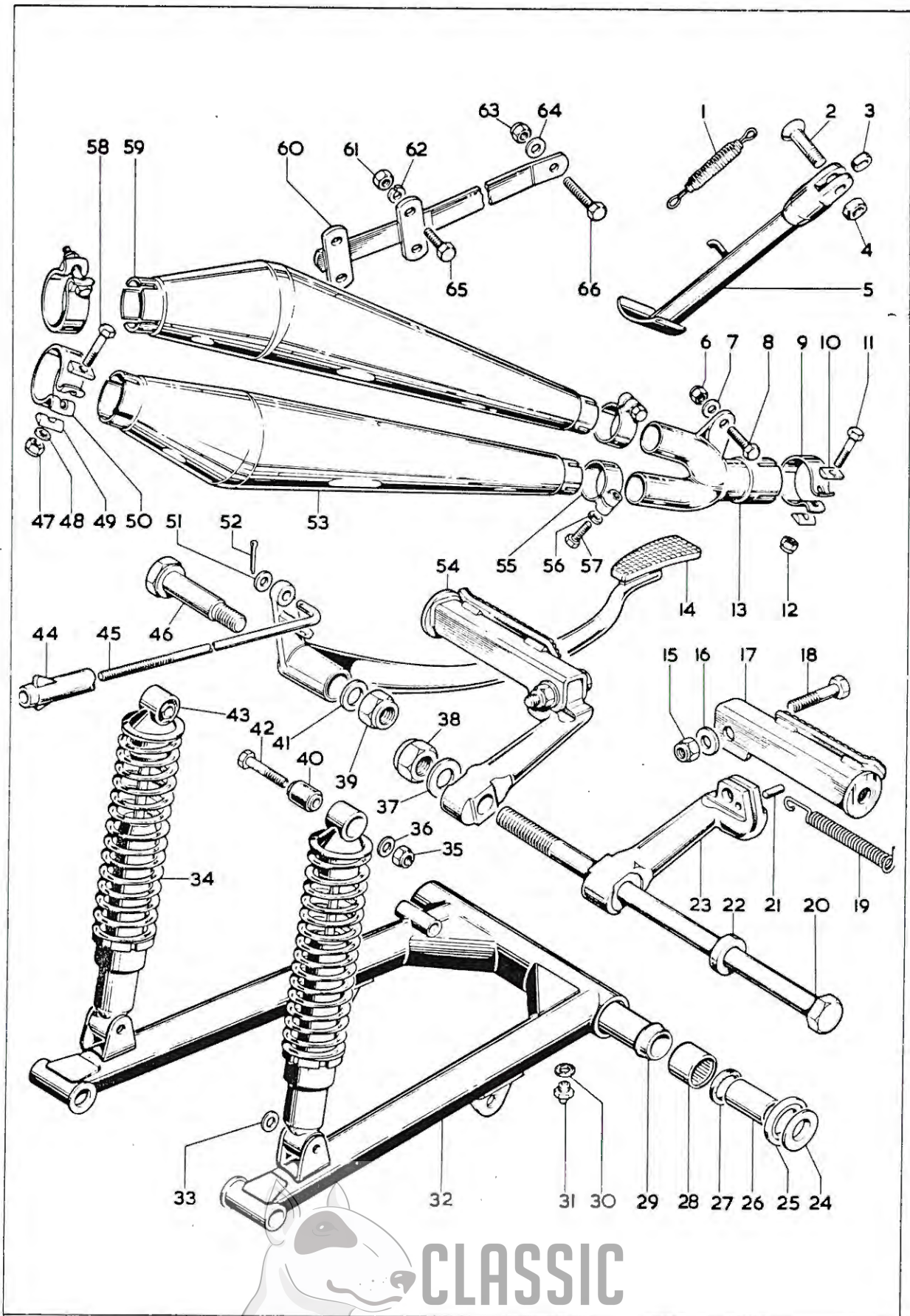


FRAME – ENGINE SHIELD

Key No.	Spares No.	Description	Per Set
1	83-3838	Engine steady bracket	1
2	60-2330	Washer – engine steady fixing (.333in x .625in x .040in)	4
3	14-1302	Nut – engine steady fixing (5/16in UN.F.)	2
4	83-3840	Engine steady stay	1
5	14-0126	Bolt – engine steady stay fixing (3/8in UN.F. x 3/4in)	2
6	60-2331	Washer – engine steady (3/8in x 3/4in x 5/64in)	2
7	14-1303	Nut – engine steady (3/8in UN.F.)	2
8	70-3751	Washer – oil filler cap	1
9	83-4512	Oil filler cap and dipstick	1
10	83-5108	Frame complete	1
11	83-3998	Distance piece – engine mounting, front	1
12	14-1304	Nut – engine mounting, front (7/16in UN.F.)	1
13	60-2332	Washer – engine mounting, front (.458in x .875in x .048in)	1
14	68-4925	Distance piece – exhaust pipe mounting	1
15	60-2332	Washer – engine mounting, front (.458in x .875in x .048in)	1
16	14-0252	Bolt – engine mounting, front (7/16in UN.F. x 3in)	1
17	14-1301	Nut – engine shield fixing (1/4in UN.F.)	2
18	21-2137	Stud – engine shield fixing (1/4in UN.F. x 57/64in)	2
19	60-2427	Spring washer – engine shield fixing (.281in x .465in x .092in)	2
20	60-2329	Washer – engine shield fixing (.270in x .562in x .036in)	2
21	83-2228	Engine shield	1
22	21-2160	Bolt – engine mounting, bottom (3/8in UN.F. x 8 3/8in)	1
23	82-9046	Washer – engine mounting, bottom.	2
24	21-0755	Nut – swinging arm pivot (13/16in UN.C.)	1
25	37-2085	Washer – swinging arm pivot	1
26	83-3556	Adjuster – swinging arm pivot, right	1
27	14-1303	Nut – engine mounting bottom bolt (3/8in UN.F.)	1
28	83-4501	Engine mounting plate – rear, right	1
29	83-2005	Distance piece – engine mounting, bottom	1
30	21-0671	Bolt – engine mounting rear (3/8in UN.F. x 3 7/8in)	1
31	82-9046	Washer – engine mounting, rear	2
32	14-0126	Bolt – engine plate mounting, rear (3/8in UN.F. x 3/4in)	4
33	71-1003	Washer – engine mounting plate bolt, rear (.385in x .625in x .048in)	8
34	14-1303	Nut – engine mounting plate bolt, rear (3/8in UN.F.)	4
35	83-4500	Engine mounting plate – rear, left	1
36	82-9046	Washer – engine mounting, rear	2
37	14-1303	Locknut – engine mounting, rear (3/8in UN.F.)	1
38	21-2015	Oil drain plug	1
39	54-8006	Washer – drain plug	1
40	83-3554	Spindle assembly – swinging arm	1



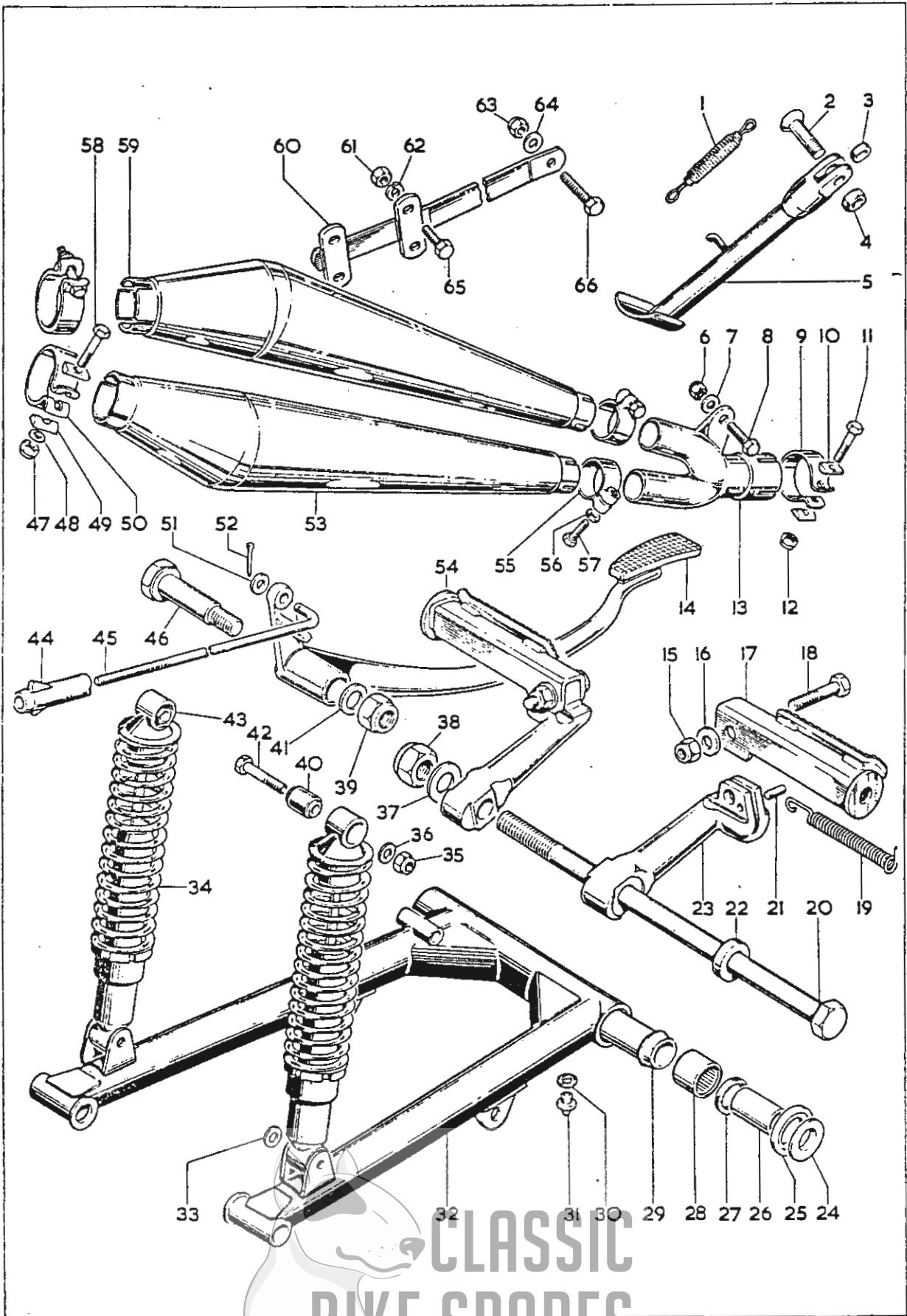
SWINGING ARM – REAR SUSPENSION – REAR BRAKE CONTROL
FOOTRESTS – SILENCERS



**SWINGING ARM – REAR SUSPENSION – REAR BRAKE CONTROL
FOOTRESTS – SILENCERS**

Key No.	Spares No.	Description	Per Set
1	68-4708	Spring – prop stand	1
2	21-2105	Pivot bolt – prop stand	1
3	83-3165	Distance piece – prop stand mounting	1
4	14-1303	Locknut – prop stand pivot (3/8in UN.F.)	1
5	83-4278	Prop stand	1
6	14-1302	Nut – junction pipe bolt (5/16in UN.F.)	1
7	60-2321	Washer, plain junction pipe bolt (.333in x .625in x .072in)	1
8	14-0113	Bolt – junction pipe to frame (5/16in UN.F. x 5/8in)	1
9	70-2271	Clip – junction pipe to exhaust pipe	1
10	70-3768	'D' washer – clip bolt	2
11	14-0218	Bolt – junction pipe clip (5/16in UN.F. x 1 3/8in)	1
12	14-1302	Nut – junction pipe clip bolt (5/16in UN.F.)	1
13	71-3772	Junction pipe	1
14	83-2040	Brake pedal	1
15	14-1302	Nut – footrest pivot bolt (5/16in UN.F.)	2
16	60-2321	Washer – pivot bolt nut (.333in x .625in x .072in)	2
17	83-4685	Footrest – right	1
17	83-4684	Footrest – left	1
18	21-0512	Footrest pivot bolt (5/16in UN.F. x 1 1/4in)	2
19	83-3095	Spring – footrest return	2
20	21-2180	Footrest bolt	1
21	83-3094	Peg – return spring anchor	2
22	83-3998	Footrest bolt distance piece	1
23	83-4505	Footrest bracket, right	1
23	83-4408	Footrest bracket, left	1
24	83-2233	Thrust washer – swinging arm	2
25	83-3014	Seal – thrust washer	2
26	83-2012	Sleeve – inner	2
27	83-2244	Oil seal – swinging arm	2
28	83-2245	Needle roller bearing – swinging arm (Torrington B1616)	2
29	83-1969	Distance tube – swinging arm bearing	1
30	24-1088	Fibre washer – grease nipple	1
31	60-1841	Grease nipple – swinging arm	1
32	83-2212	Swinging arm complete	1
33	37-2337	Washer – damper bottom mounting (.380in x .750in x .092in)	2
34	19-7482	Suspension unit spring (Girling 64541820)	2
35	14-1303	Nut – suspension unit fixing, top & bottom (3/8in UN.F.)	4
36	60-2322	Washer – suspension unit fixing, top & bottom (.395in x .750in x .072in)	4
37	60-2323	Washer – footrest bolt (.458in x .875in x .092in)	1
38	14-1304	Nut – footrest bolt (7/16in UN.F.)	1
39	14-1303	Locknut – brake pedal pivot (3/8in UN.F.)	1
40	99-0122	Bush – suspension unit (Girling 64533645)	4
41	70-8084	Washer – brake pedal pivot (.380in x .750in x .064in)	1
42	14-0234	Bolt – suspension unit fixing, top and bottom (3/8in UN.F. x 1 3/4in)	4
43	60-3919	Suspension unit complete (Girling 64052567)	2
44	82-7387	Adjuster nut – brake rod	1
45	83-2616	Brake rod	1
46	21-2045	Pivot – rear brake pedal	1
47	21-1908	Nut – silencer outlet clip bolt (5/16in UN.F.)	2

SWINGING ARM – REAR SUSPENSION – REAR BRAKE CONTROL
FOOTRESTS – SILENCERS

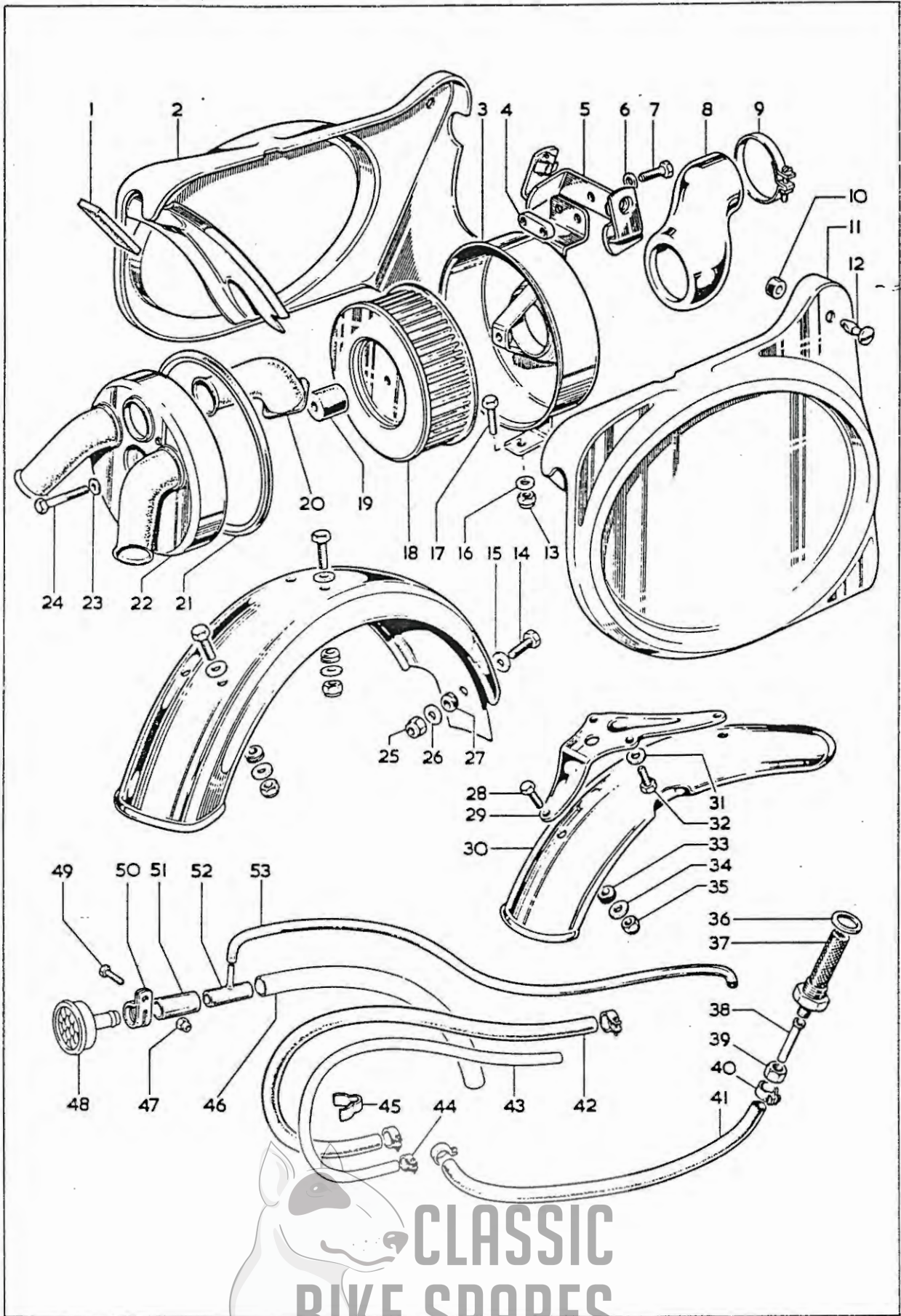


SWINGING ARM – REAR SUSPENSION – REAR BRAKE CONTROL
FOOTRESTS – SILENCERS

Key No.	Spares No.	Description	Per Set
48	60-2428	Spring washer – silencer outlet clip bolt	2
49	70-3768	“D” washer – silencer outlet clip bolt	4
50	71-3524	Clip – silencer outlet	2
51	83-4277	Distance piece – brake rod (.256in x .500in x .040in)	1
52	60-2683	Split pin – brake rod (1/16in x 3/8in)	1
53	71-3751	Silencer complete – lower	1
54	83-5109	Footrest and bracket assembly, left	1
54	83-5110	Footrest and bracket assembly, right	1
55	70-7299	Clip – silencers to junction pipe	2
56	60-2418	Spring washer – clip bolt (.343in x .503in x .080in)	2
57	14-0116	Bolt – silencer clip (5/16in UN.F. x 1in)	2
58	14-0219	Bolt – silencer outlet clip (5/16in UN.F. x 1 1/2in)	2
59	71-3750	Silencer complete – upper	1
60	83-5180	Silencer support strap	1
61	14-1301	Locknut – silencer strap bolt (1/4in UN.F.)	4
62	60-2320	Washer – silencer strap bolt (.270in x .562in x .056in)	4
63	14-1302	Locknut – strap to frame bolt (5/16in UN.F.)	1
64	60-2321	Plain washer – strap to frame bolt (.333in x .625in x .072in)	1
65	14-0102	Bolt – silencer to strap fixing (1/4in UN.F. x 5/8in)	4
66	14-0218	Bolt – strap to frame fixing (5/16in UN.F. x 1 3/8in)	1
	60-4172**	Label – spark arrester details	2

**Not illustrated

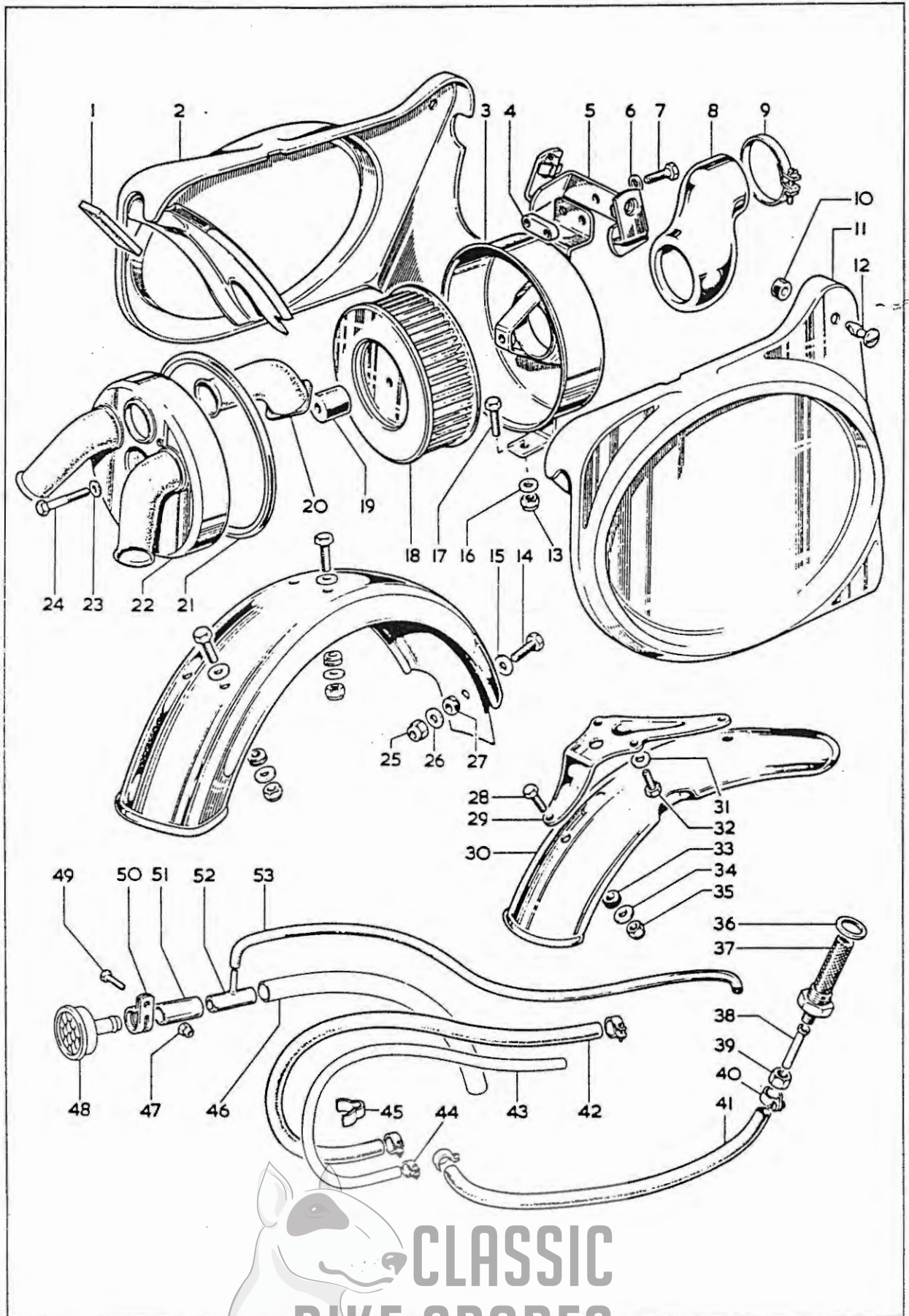




AIR FILTER – OIL PIPES – NUMBER PLATES – MUDGUARDS

Key No.	Spares No.	Description	Per Set
1	82-7380	Protection strip – number plate	4
2	83-3475	Number plate – left	1
3	83-3299	Air filter box	1
4	83-3305	Fixing plate	1
5	83-3035	Number plate bracket	1
6	60-2427	Spring washer, air filter fixing bolt (.281in x .465in x .064in)	2
7	14-0102	Bolt – air filter fixing (1/4in UN.F. x 5/8in)	2
8	60-3483	Hose – air box to carburetter	1
9	60-3536	Clip – carburetter hose	1
10	60-3160	Rubber washer – “Oddie” fastener	2
11	83-5166	Number plate – right	1
12	60-3632	“Oddie” fastener	2
13	14-1301	Locknut – air filter bottom bolt (1/4in UN.F.)	1
14	14-0103	Bolt – rear mudguard fixing (1/4in UN.F. x 3/4in)	5
15	60-2347	Washer – rear mudguard fixing bolt (.270in x .625in x .040in)	5
16	83-1829	Washer – air filter bottom bolt	1
17	14-0102	Bolt – air filter bottom fixing (1/4in UN.F. x 5/8in)	1
18	60-2601	Air filter element	1
19	83-5188	Rubber spacer	1
20	83-3781	Trumpet – air filter	3
21	83-5187	Sealing ring – air filter lid	1
22	83-5185	Lid – air filter	1
23	60-4248	Washer – air filter lid bolt	1
24	14-0207	Bolt – air filter lid fixing (1/4in UN.F. x 2in)	1
25	14-1301	Nut – rear mudguard fixing bolt (1/4in UN.F.)	5
26	60-2347	Washer – rear mudguard fixing bolt (.270in x .625in x .040in)	5
27	60-3370	Grommet – rear mudguard fixing bolt	5
28	14-0114	Bolt – front mudguard fixing (5/16in UN.F. x 3/4in)	2
29	97-4359	Bracket – front mudguard	1
30	97-4072	Front mudguard	1
31	60-2348	Washer – front mudguard bracket bolt (.333in x .750in x .048in)	2
32	14-6114	Bolt – front mudguard bracket mounting (5/16in UN.C. x 3/4in)	2
33	60-3242	Grommet – front mudguard fixing bolt	2
34	60-2348	Washer – front mudguard bolt (.333in x .750in x .048in)	2
35	14-1302	Nut – front mudguard fixing bolt (5/16in UN.F.)	2
36	40-8331	Fibre washer – frame oil filter	1
37	82-9430	Oil filter – frame	1
38	40-8322	Oil feed pipe	1
39	40-8323	Nut – oil pipe union	1
40	68-8343	Clamp – oil pipe	4
41	83-3078	Oil feed pipe – frame to engine	1
42	83-3076	Oil return pipe – engine to frame	1
43	–	Rocker feed pipe – see plate 6	1
44	–	Rocker feed pipe clamp – see plate 6	1
45	97-4112	Spring clip – rocker feed pipe to frame	1
46	–	Breather pipe – see plate 8	1
47	82-4717	Nut – breather pipe screw	1
48	–	Breather pipe filter – see plate 8	1
49	97-3894	Screw – breather pipe securing	1
50	83-4123	Clip – breather pipe	1

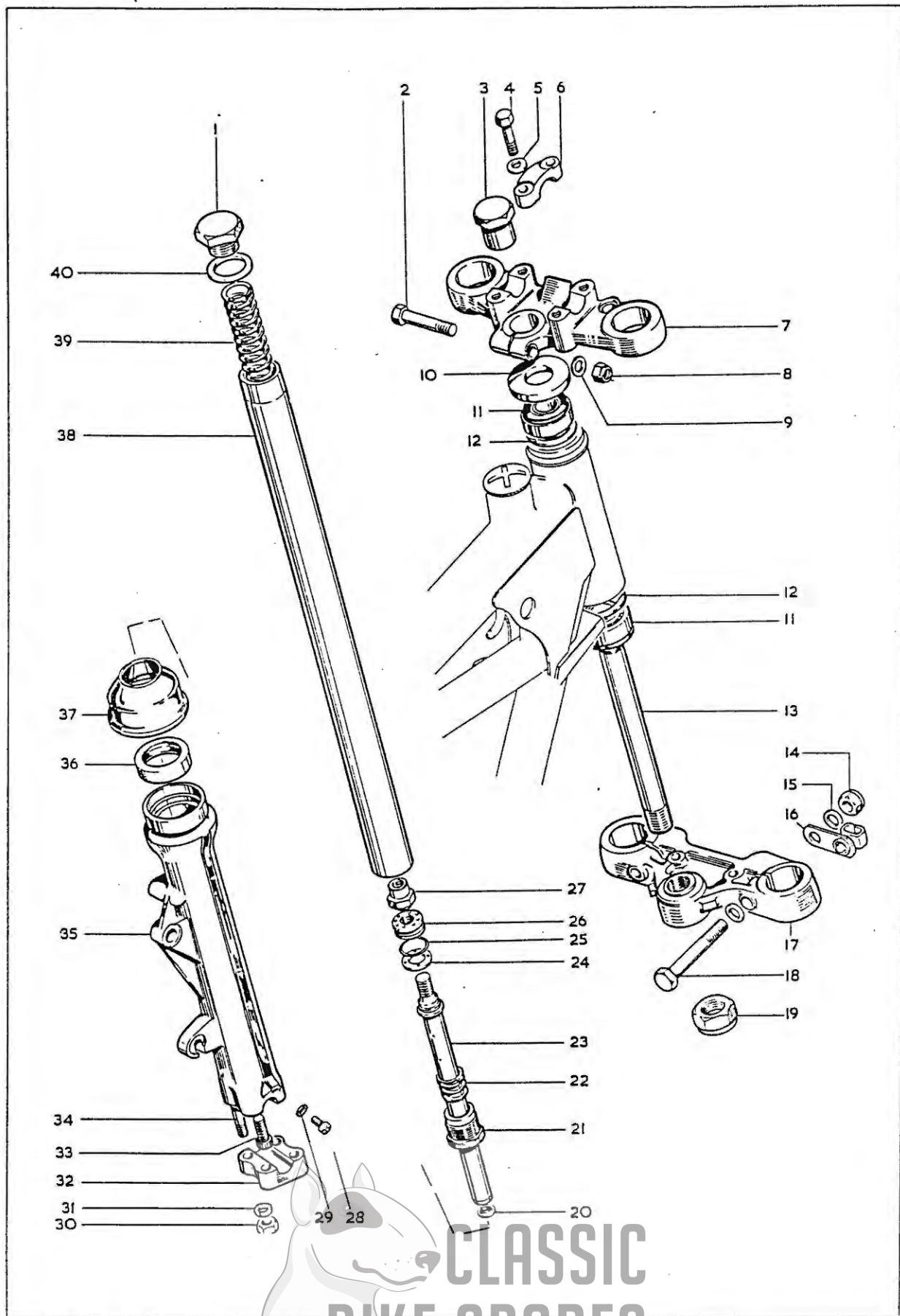
AIR FILTER – OIL PIPES – NUMBER PLATES – MUDGUARDS



AIR FILTER – OIL PIPES – NUMBER PLATES – MUDGUARDS

Key No.	Spares No.	Description	Per Set
51	83-5114	Breather pipe – short	1
52	83-5126	Breather junction pipe	1
53	83-3077	Breather pipe – oil reservoir	1



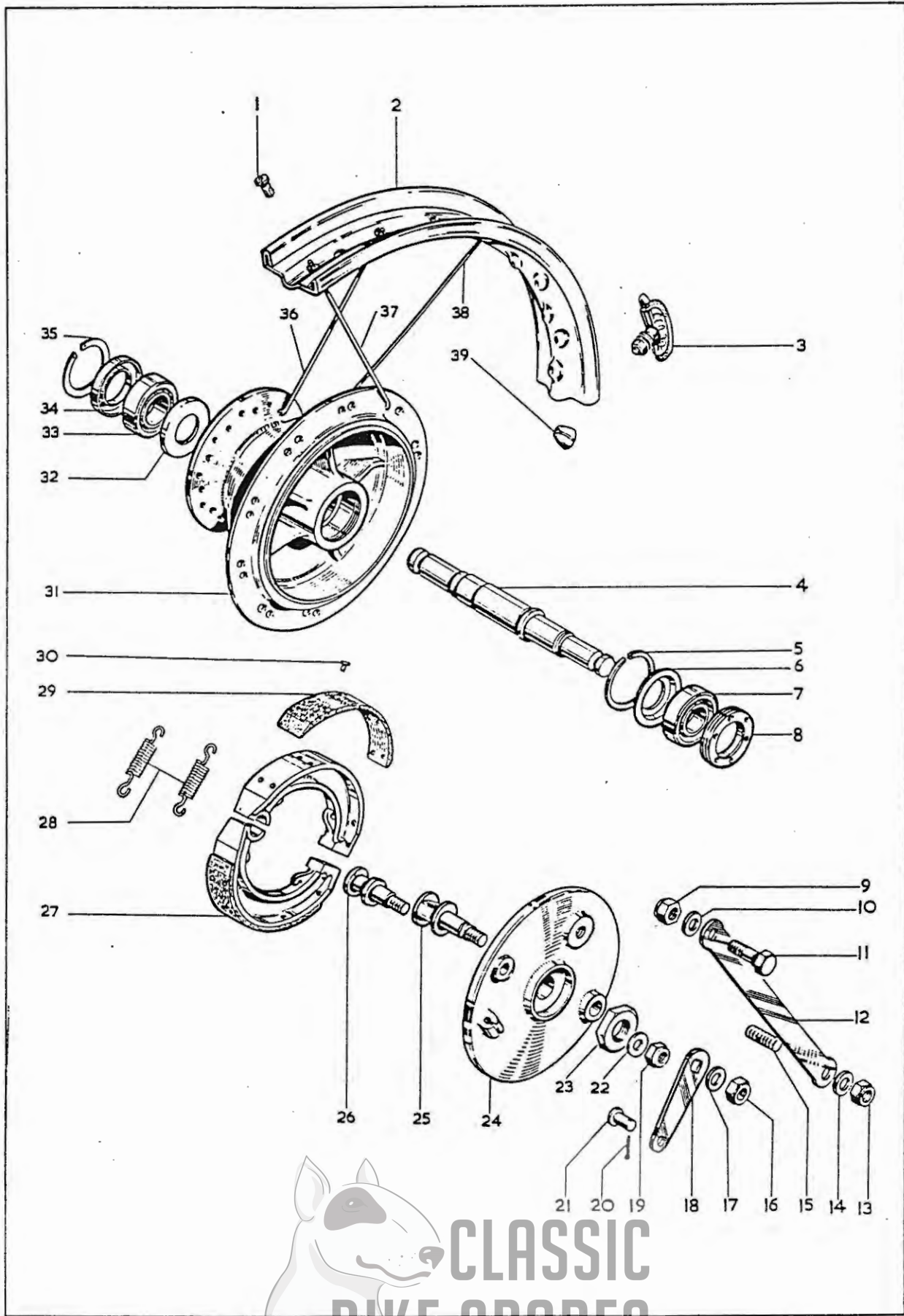


CLASSIC
BIKE SPARES

FRONT FORKS

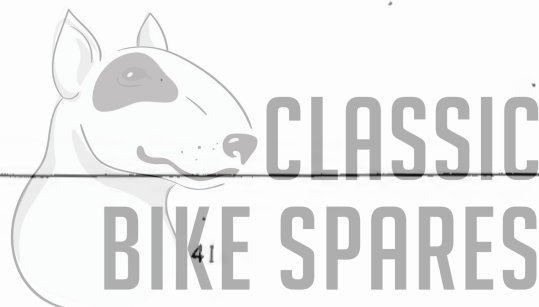
Key No.	Spares No.	Description	Per Set
	97-4512	Front fork complete	1
1	97-4258	Nut - top cap	2
2	14-0236	Pinch bolt - top yoke (3/8in UN.F. x 2 1/4in)	1
3	97-4317	Nut - steering stem adjuster	1
4	14-6219	Bolt - handlebar clamp (5/16in UN.C. x 1 1/2in)	4
5	83-3549	Washer - handlebar clamp (.330in x .580in x .047in)	4
6	97-0722	Handlebar clamp	2
7	97-4371	Top yoke	1
8	14-1303	Nut - top yoke pinch bolt (3/8in UN.F.)	1
9	70-8084	Washer - top yoke pinch bolt (.280in x .750in x .064in)	1
10	97-4028	Dust cover - steering head	1
11	97-4031	Taper roller bearing - steering head (Timken LM11949L)	2
12	83-2007	Abutment ring - steering head bearing	2
13	97-4319	Steering stem	1
14	14-1203	Nut - bottom yoke pinch bolt (3/8in UN.F.)	2
15	70-8084	Washer - bottom yoke pinch bolt (.280in x .750in x .064in)	4
16	97-4479	Retainer assembly - brake cable	2
17	97-4513	Bottom yoke	1
18	14-0239	Bolt - bottom yoke pinch bolt (3/8in UN.F. x 3in)	2
19	14-7308	Locknut - steering stem (3/4in UN.C.)	1
20	97-4004	Washer - damper tube (Dowty)	2
21	97-4076	Stanchion end plug complete	2
22	97-4009	Recoil spring	2
23	97-3996	Damper tube complete	2
24	97-4010	Washer - damper	2
25	97-4003	"O" ring - damper valve	2
26	97-4020	Valve - damper	2
27	97-4012	Nut - damper valve	2
28	97-3894	Drain screw - outer member	2
29	97-3893	Fibre washer - drain screw	2
30	14-0302	Nut - fork end cap (5/16in UN.F.)	8
31	60-2428	Spring washer - fork end cap (.344in x .600in x .064in)	8
32	97-3947	Fork end cap	2
33	14-1019	Allen screw - damper tube (5/16in UN.F. x 7/8in)	2
34	21-2102	Stud - fork end cap (5/16in UN.F./UN.C. x 1 7/8in)	8
35	97-4032	Outer member complete - right	1
35	97-4033	Outer member complete - left	1
36	97-4001	Oil seal - outer member	2
37	97-4002	Scraper sleeve - outer member	2
38	97-4455	Fork stanchion	2
39	97-4011	Main spring	2
40	97-4166	Washer - top cap nut	2





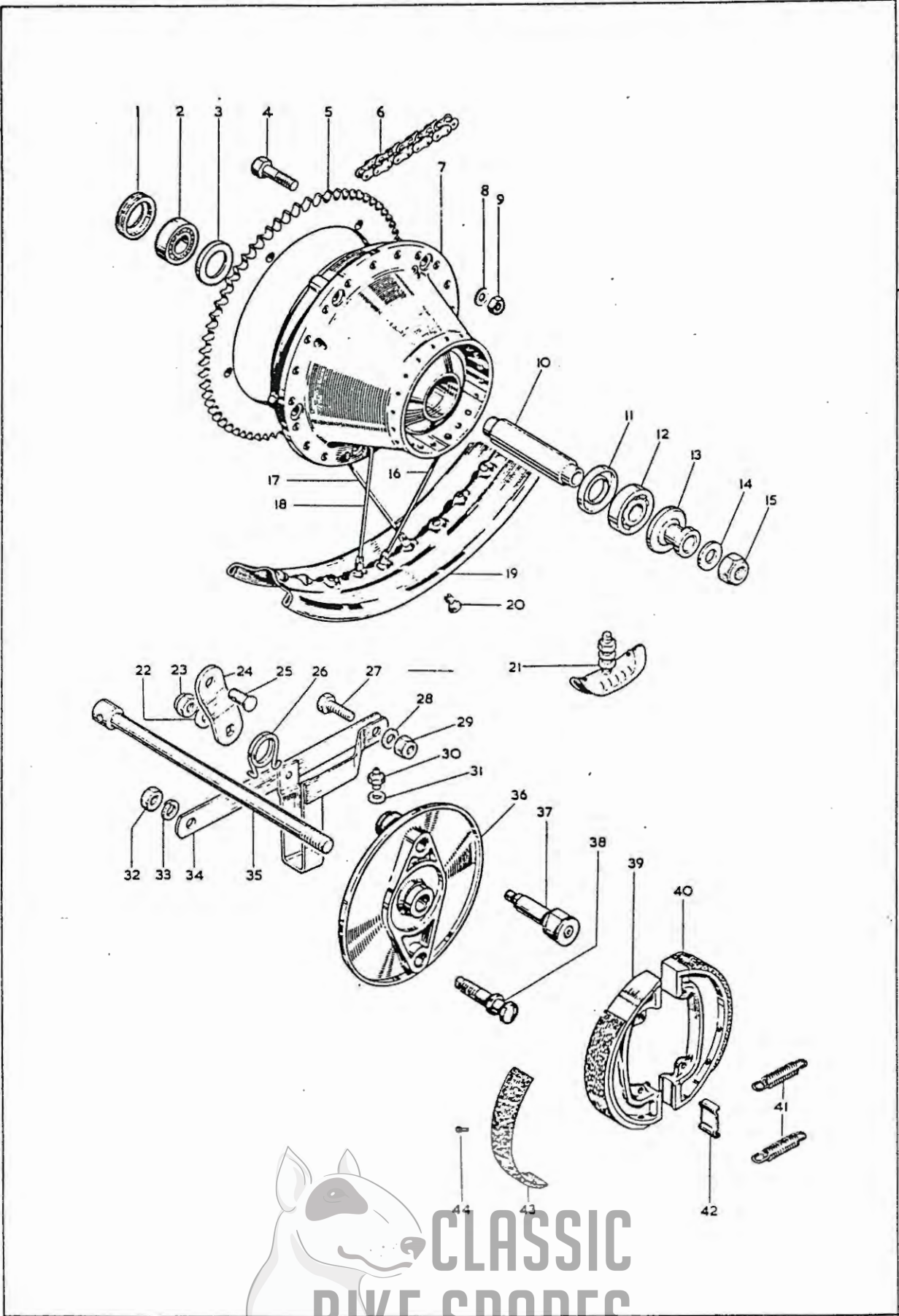
FRONT WHEEL


Key No.	Spares No.	Description	Per Set
	37-4186	Front wheel, less brake	1
	37-4185	Front wheel, with brake	1
1	27-6810	Spoke nipple	40
2	37-4151	Wheel rim (WM1 x 21)	1
3	37-3584	Security bolt	1
4	37-3796	Wheel spindle	1
5	60-2632	Circlip - grease retainer, right	1
6	37-3797	Grease retainer - right	1
7	37-0653	Bearing (Hoffmann 120)	1
8	37-3759	Lock ring - bearing, right	1
9	14-1304	Locknut - anchor strap, at fork leg (7/16in UN.F.)	1
10	60-2332	Washer - anchor strap, at fork leg (.458in x .875in x .048in)	1
11	14-0134	Bolt - anchor strap, at fork leg (7/16in UN.F. x 1 1/4in)	1
12	83-2660	Anchor strap	1
13	14-1304	Locknut - anchor strap, at brake plate (7/16in UN.F.)	1
14	60-2332	Washer - nut, anchor strap, at brake plate (.458in x .875in x .048in)	1
15	21-2063	Stud - anchor strap, at brake plate	1
16	14-1303	Locknut - brake lever (3/8in UN.F.)	1
17	60-2331	Washer - nut, brake lever (.395in x .750in x .048in)	1
18	37-3694	Brake lever	1
19	14-1303	Locknut - fulcrum pin (3/8in UN.F.)	1
20	60-2683	Split pin - brake cable pivot	1
21	42-5836	Pivot pin - front brake cable	1
22	60-2331	Washer - nut, fulcrum pin (.395in x .750in x .048in)	1
23	37-2058	Locknut - brake anchor plate	1
24	37-3704	Brake anchor plate	1
25	37-3799	Brake cam	1
26	37-3798	Fulcrum pin	1
27	37-3804	Brake shoe complete	2
28	37-2328	Spring - brake shoe return	2
29	19-7707	Lining - brake shoe	2
30	29-5853	Rivet - brake shoe lining	16
31	37-4187	Hub complete with spindle and bearings	1
32	37-1481	Grease retainer - left, inner	1
33	37-0653	Bearing (Hoffmann 120)	1
34	37-1237	Grease retainer - left, outer	1
35	57-0280	Circlip - grease retainer, left	1
36	37-4154	Spoke - left	20
37	37-4131	Spoke - outer, right	10
38	37-4152	Spoke - inner, right	10
39	37-3969	Balance weight - short	as reqd.
39	37-3970	Balance weight - long	as reqd.



CLASSIC
BIKE SPARES

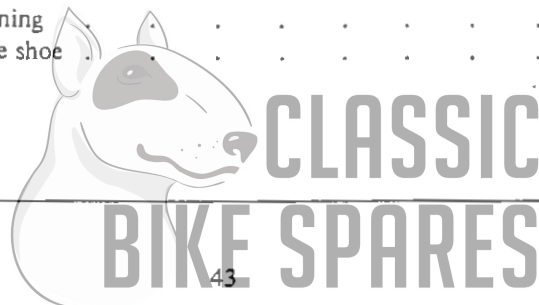
REAR WHEEL - CHAIN GUIDE

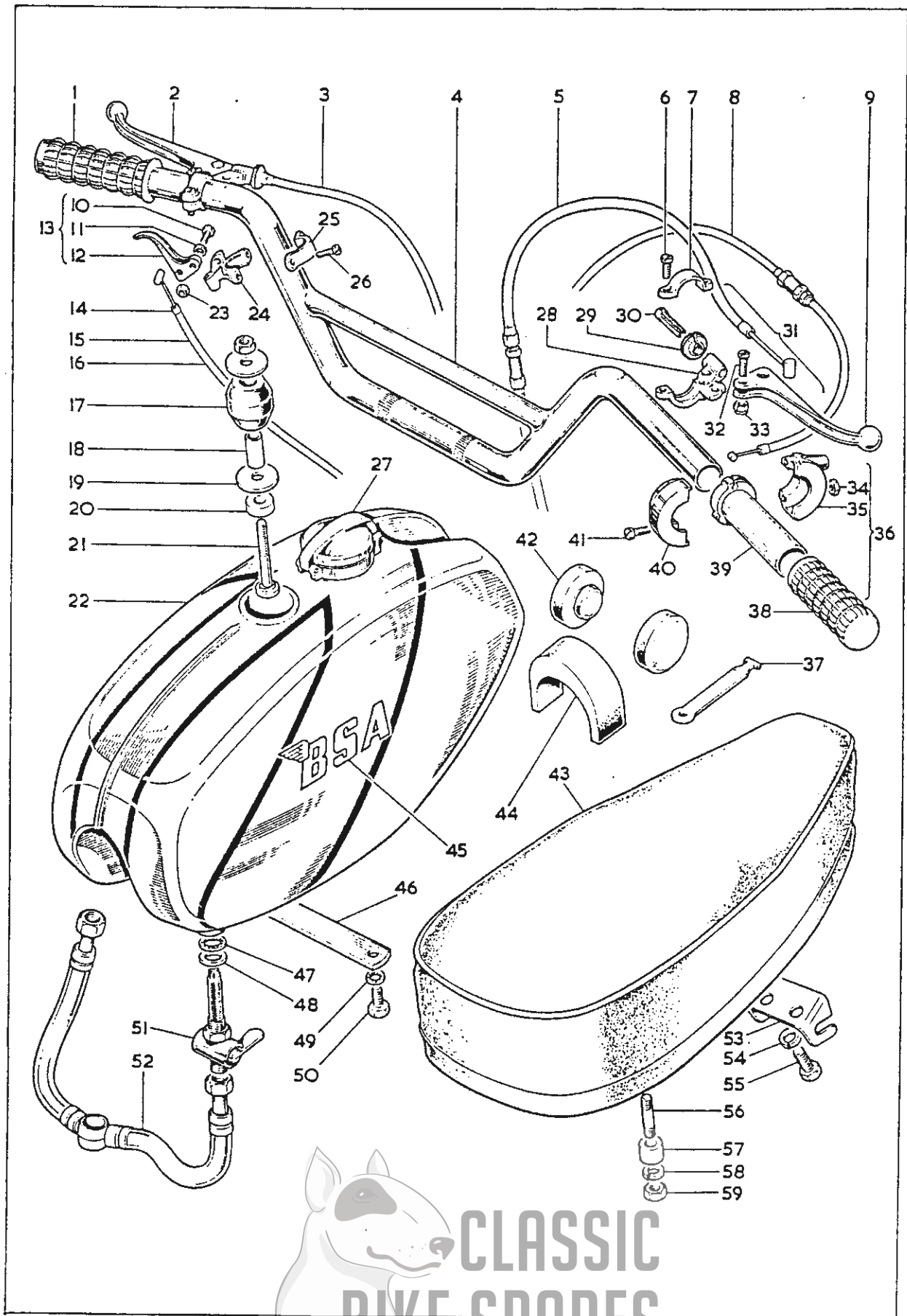


 CLASSIC
BIKE SPARES

REAR WHEEL – CHAIN GUIDE

Key No.	Spares No.	Description	Per Set
	37-3959	Rear wheel, less brake	1
	37-3960	Rear wheel, with brake	1
1	37-3752	Lockring – left bearing	1
2	37-1340	Bearing – left (Hoffmann 120RS)	1
3	37-3749	Support ring – left	1
4	14-0207	Bolt – sprocket fixing (1/4in UN.F. x 2in)	5
5	37-3741	Sprocket – 52 teeth	1
6	19-8698	Chain – rear (5/8in x 1/4in x 106 pitches)	1
7	37-3908	Hub complete with spindle and bearings	1
8	60-2320	Washer – sprocket fixing (.270in x .562in x .056in)	5
9	14-1301	Nut – sprocket fixing (1/4in UN.F.)	5
10	37-3753	Spacer – bearing	1
11	37-1654	Grease retainer – right, inner	1
12	37-1340	Bearing – right (Hoffmann 120RS)	1
13	37-3909	Grease retainer assembly – right	1
14	83-2266	Washer – wheel spindle	1
15	14-1307	Nut – wheel spindle (5/8in UN.F.)	1
16	37-3726	Spoke – right	20
17	37-3725	Spoke – left, outer	10
18	37-3724	Spoke – left, inner	10
19	37-3784	Rim (WM3 x 18)	1
20	27-6810	Spoke nipple	40
21	37-3468	Security bolt	2
22	60-2331	Washer – brake lever (.395in x .750in x .048in)	1
23	14-1303	Nut – brake lever (3/8in UN.F.)	1
24	37-4034	Brake lever	1
25	37-1467	Pivot pin – brake rod	1
26	37-4049	Spring – brake lever return	1
27	14-0129	Bolt – torque arm fixing (3/8in UN.F. x 3/4in)	1
28	40-0157	Washer – torque arm fixing (.391in x .781in x .031in)	1
29	14-1303	Nut – torque arm fixing (3/8in UN.F.)	1
30	60-1841	Grease nipple – brake anchor plate	1
31	24-1088	Fibre washer – grease nipple	1
32	14-0305	Nut – torque arm to brake pivot (1/2in UN.F.)	1
33	60-2431	Spring washer – torque arm to brake pivot (.531in x .851in x .092in)	1
34	83-4218	Torque arm and chain guide assembly	1
35	37-3977	Spindle – rear wheel	1
36	37-3857	Brake anchor plate	1
36	37-4117	Brake anchor plate, complete with brake details	1
37	37-3872	Brake cam	1
38	37-3870	Brake pivot	1
39	37-3925	Brake shoe complete – leading	1
40	37-3926	Brake shoe complete – trailing	1
41	37-2328	Spring – brake shoe	2
42	37-4071	Brake pivot pad	2
43	19-7740	Brake shoe lining	2
44	42-5840	Rivet – brake shoe	16

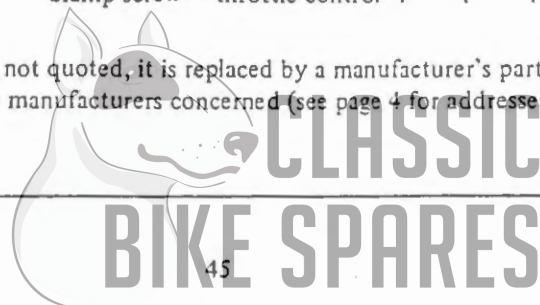


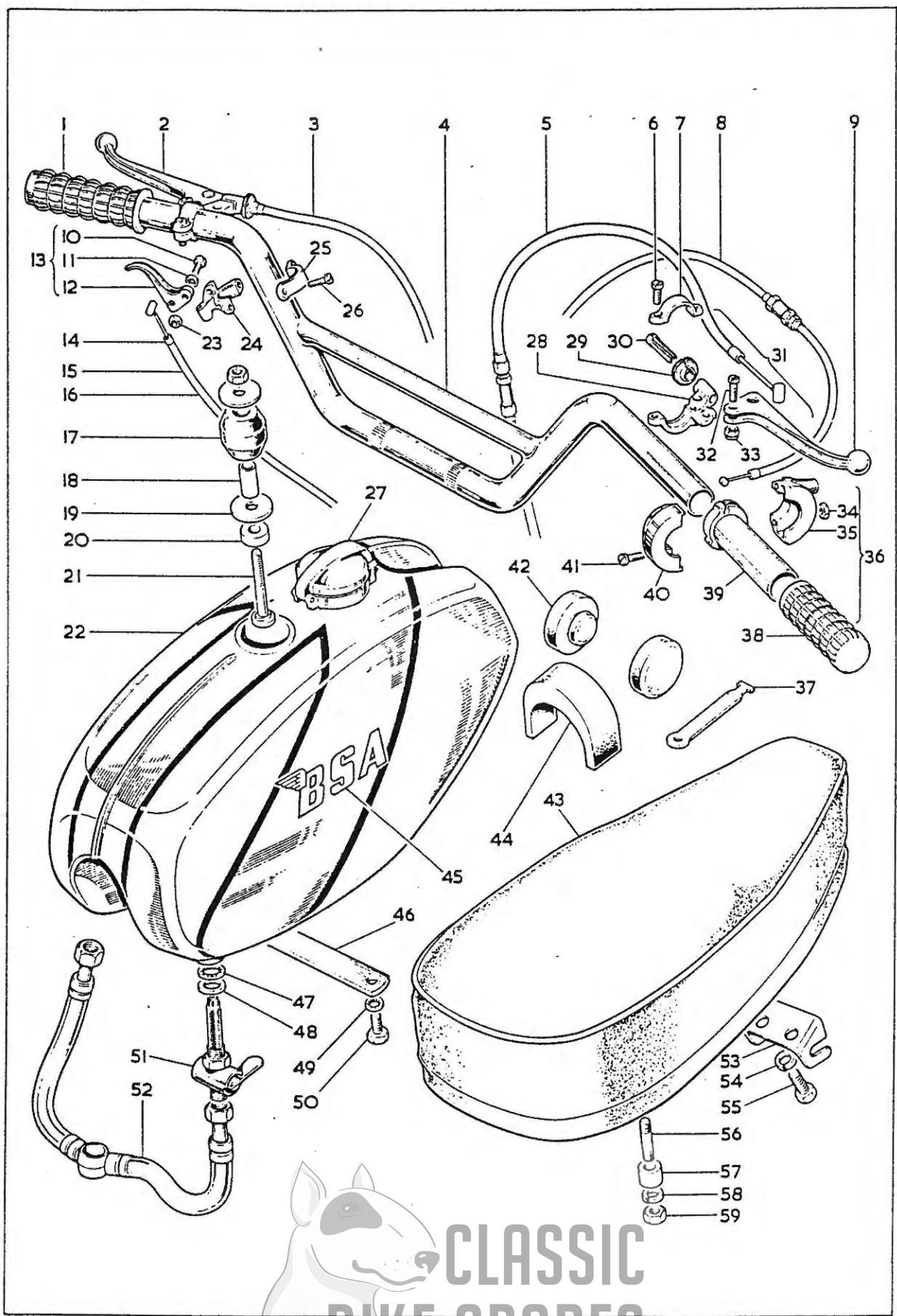


FUEL TANK – SEAT – CONTROLS

Key No.	Spares No.	Description	Per Set
	B.S.A. Manufacturer		
1	60-3880 Amal 532/001	Rubber grip – left handlebar	1
2	Doherty 18/752	Lever only – clutch control	1
2	60-2242 Doherty 19-952M	Lever complete – clutch control	1
3	60-2083	Clutch cable, complete	1
4	97-4062	Handlebar	1
5	60-3535	Front brake cable, complete	1
6	Doherty 11/014	Screw – bracket clamps	4
7	Doherty 12/595	Clamp, bracket – control levers	2
8	60-4208 Amal 530/92	Throttle cable, complete	1
9	Doherty 18/754	Lever only – front brake control	1
10	19-3084 Amal 11/014	Fulcrum screw – exhaust lifter lever	1
11	19-3087	Washer – exhaust lifter fulcrum pin	1
12	19-3085 Amal 18/871	Lever – exhaust lifter	1
13	42-8611 Amal 18/864	Exhaust lifter control, complete	1
14	60-3752	Exhaust lifter control cable, complete	1
15	14-0302	Nut – fuel tank, centre bolt (5/16in UN.F.)	1
16	03-0101	Washer – fuel tank centre, bolt (.328in x 1.125in x .092in)	1
17	40-8085	Mounting rubber – fuel tank, centre bolt	1
18	76-4120	Distance tube – fuel tank, centre bolt	1
19	03-0101	Washer – fuel tank, centre bolt (.328in x 1.125in x .092in)	1
20	82-7071	Distance collar – fuel tank, centre bolt	1
21	83-2776	Bolt – fuel tank, centre fixing	1
22	83-5111	Fuel tank, complete with filler cap	1
23	19-2763 Amal 18/069	Nut – exhaust lifter fulcrum screw	1
24	19-3086 Amal 18/869	Bracket – exhaust lifter	1
25	19-3083 Amal 12/064	Clamp – exhaust lifter	1
26	19-3082 Amal 376/079	Screw – exhaust lifter clamp	2
27	83-1547	Filler cap – fuel tank	1
28	Doherty 19/003	Bracket – front brake control	1
28	Doherty 19/002	Bracket – clutch control	1
29	60-2072 Doherty 18/1709	Adjuster nut – control cables	2
30	60-2071 Doherty 18/1708	Adjuster sleeve – control cables	2
31	60-2243 Doherty 19/1098M	Lever complete – front brake	1
32	Doherty 18/087	Fulcrum pin – control levers	2
33	Doherty 18/053	Nut, fulcrum pin – control levers	2
34	Amal 532/011	Nut, clamp screw – throttle control	2
35	Amal 532/009	Body – bottom half, throttle control	1
36	60-3877 Amal 532/2	Throttle control, complete	1
37	60-4258	Cable clip – rubber	6
38	Amal 532/002	Rubber grip – right handlebar	1
39	Amal 532/007	Rotor – throttle control	1
40	Amal 532/008	Body – top half, throttle control	1
41	Amal 532/010	Clamp screw – throttle control	2

Note:— Where a B.S.A. part number is not quoted, it is replaced by a manufacturer's part number. In this case, application must be made direct to the manufacturers concerned (see page 4 for addresses).



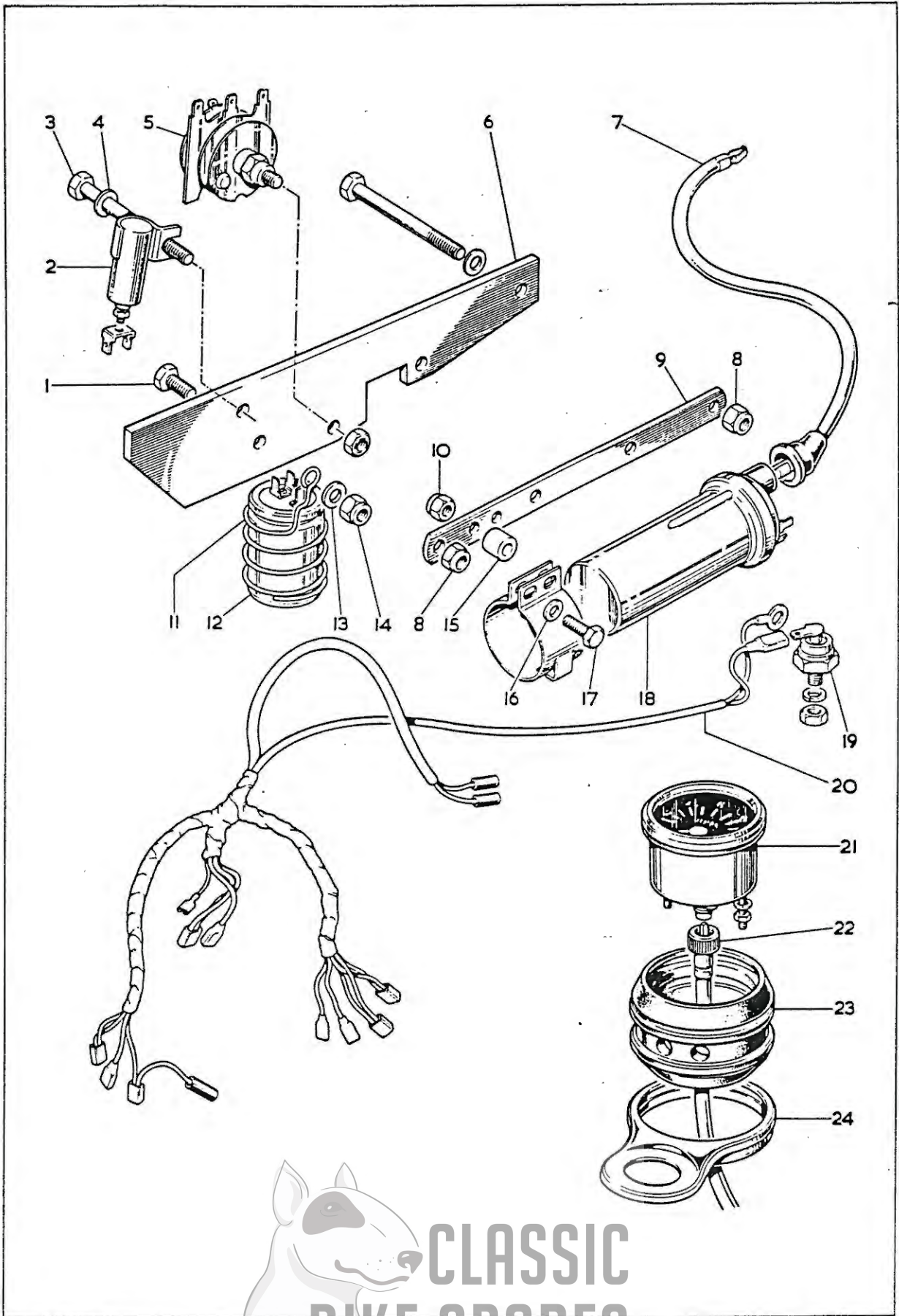


FUEL TANK – SEAT – CONTROLS

Key No.	B.S.A.	Manufacturer	Description	Per Set
42	82-9222		Rubber – fuel tank steady	2
43	83-2746		Seat complete	1
43	19-6062		Seat cover	1
44	83-2980		Fuel tank mounting rubber, front	1
44	83-4313		Fuel tank mounting rubber, rear	1
45	60-3269		Decal – fuel tank	2
46	83-4722		Tie-strap – fuel tank	1
47	70-7351		Sealing washer – fuel tap	2
48	83-0002		Washer – fuel tap	2
49	70-2287		Washer, serrated – tank tie-strap	2
50	14-6113		Bolt – tank tie strap	2
51	83-2800		Fuel tap	2
52	83-4159		Fuel pipe assembly	1
53	83-2742		Front bracket – seat fixing	1
54	60-2428		Washer, spring – seat fixing bolt (.344in x .600in x .064in)	2
55	14-0113		Bolt – seat fixing, front (5/16in UN.F. x 5/8in)	2
56	21-2166		Stud – seat fixing, rear	2
57	83-2745		Distance piece – seat fixing, rear	2
58	60-2428		Washer, spring – seat fixing, rear (.344in x .600in x .064in)	2
59	14-0302		Nut – seat fixing, rear	1

Note: – Where a B.S.A. part number is not quoted, it is replaced by a manufacturer's part number. In this case, application must be made direct to the manufacturers concerned (see page 4 for addresses).





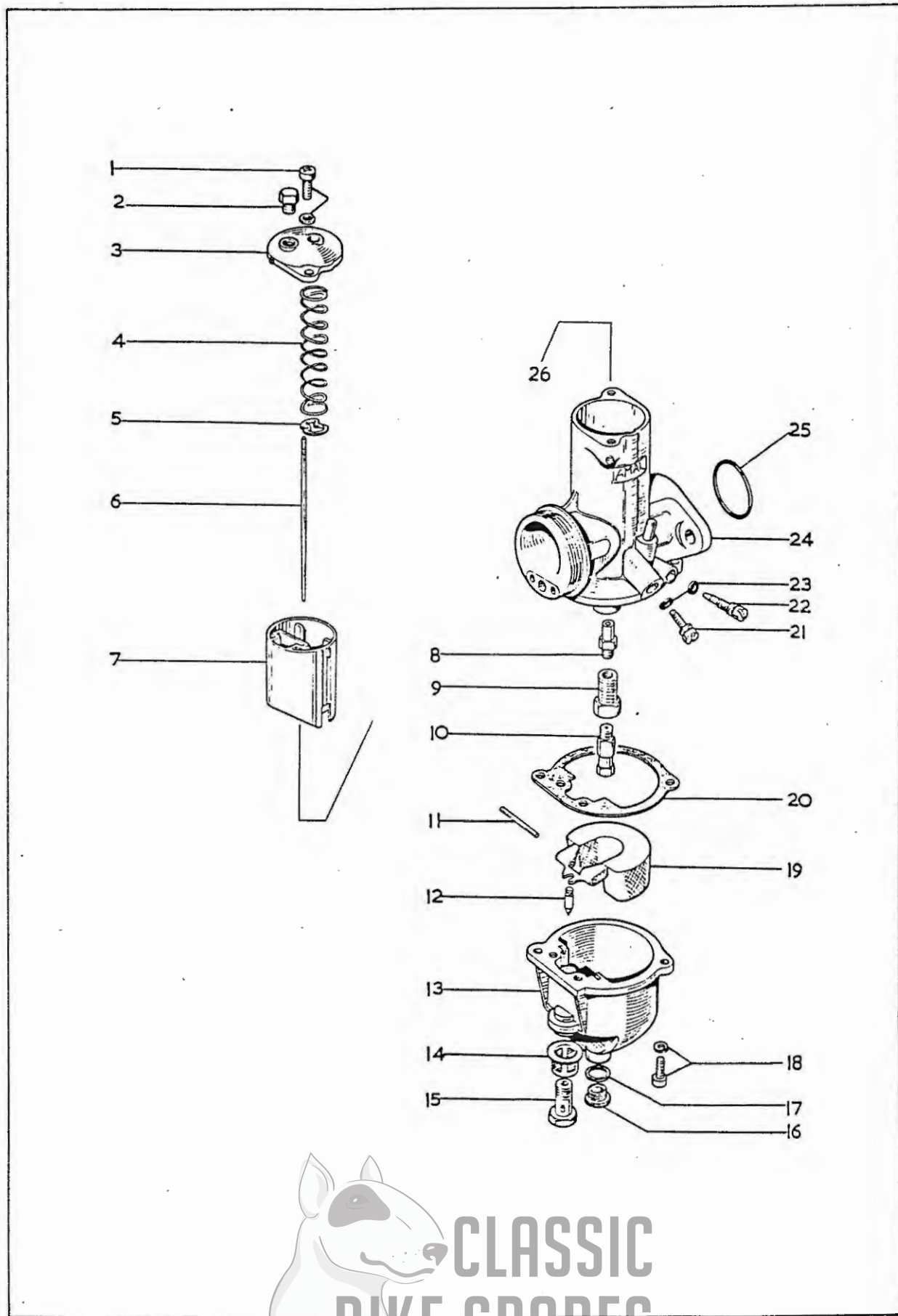
ELECTRICAL EQUIPMENT AND SUNDRIES

Key No.	Spares No.		Description	Per Set
	B.S.A.	Lucas		
1	14-0102		Bolt – capacitor fixing (1/4in UN.F. x 5/8in)	1
2	60-0995	54441582	Condenser	1
3	14-0214		Bolt – mounting plates fixing (1/4in UN.F. x 4in)	2
4	83-1829		Washer – fixing bolt (.266in x .750in x .080in)	2
5	60-0786	54048008	Rectifier, complete with nut and washer	1
6	83-5106		Carrier plate, electrical equipment	1
7	60-4207	54956432	High-tension lead	1
8	14-1301		Nut – fixing bolt (1/4in UN.F.)	2
9	83-5183		Coil carrier bracket	1
10	14-1301		Nut – coil fixing bolt (1/4in UN.F.)	2
11	83-4765		Mounting spring – capacitor	1
12	82-8319	54170009	Capacitor	1
13	83-1829		Washer – capacitor fixing bolt (.266in x .750in x .080in)	1
14	14-1301		Nut – capacitor fixing bolt (1/4in UN.F.)	1
15	70-5843		Distance piece – coil fixing bolt	2
16	70-8072		Washer – coil fixing bolt	2
17	14-0201		Bolt – coil fixing (1/4in UN.F. x 1in)	2
18	60-2206	54041150	Coil, complete with clip	1
19	68-9602	54048288	Zener-diode, with nut and washer	1
20	60-4198	54961599	Ignition harness	1
	60-4210*	54190096	Lucar connector – capacitor	1
21	19-8953		Tachometer (Smith's RSM 3003/13)	1
22	19-9110		Cable complete – tachometer drive	1
23	60-2600		Rubber cup – tachometer	1
24	97-4026		Mounting bracket – tachometer	1
	60-3711*		Tommy bar – rear wheel	1
	67-6570*		Decal – “Made in England”	1
	60-4202*		Label – disclaimer	1

*Not illustrated

Note:— Where a B.S.A. part number is not quoted, it is replaced by a Lucas part number. In this case, application must be made direct to Messrs Joseph Lucas Ltd. (see page 4 for address).





CARBURETTER

Key No.	Spares No.		Description	Per Set
	B.S.A. No.	Amal No.		
1	19-3093	622/086	Screw and washer - top cap	2
2		4/137A	Screw plug - top cap	1
3		928/097	Cap - mixing chamber	1
4	19-3141	622/131	Spring - throttle	1
5	19-3095	622/067	Clip - throttle needle	1
6	19-3137	622/124	Needle - throttle (position 3)	1
7	19-3127	928/060	Throttle slide (No. 3 1/2 cutaway)	1
8		622/122	Needle jet (.106)	1
9		622/128	Jet holder	1
10	99-0445	376/100	Main jet (180 c.c.)	1
11	19-3116	622/071	Float spindle	1
12	19-3105	622/068	Float needle	1
13	19-3143	622/055	Float chamber	1
14	19-3048	376/093	Fuel filter	1
15	19-3103	622/078	Banjo bolt	1
16	19-3144	622/147	Drain plug	1
17		622/151	Washer - drain plug	1
18	19-3093	622/086	Screw and washer - float chamber to body	2
19	19-3102	622/069	Float	1
20	19-3106	622/073	Gasket - float chamber	1
21		622/077	Screw - throttle stop	1
22		622/076	Adjusting screw - pilot air	1
23	19-3098	622/082	"O" ring - pilot air and throttle stop screws	2
24		R932/005	Carburetter body, complete	1
	60-4269*	R932/28	Carburetter complete	1
	19-2834*	13/163	Washer - carburetter banjo	1
	71-1860*		Adaptor - carburetter to air intake	1
25	19-3090	622/101	"O" ring - carburetter to head	1

* Not illustrated

Note:- Where a B.S.A. part number is not quoted, it is replaced by an Amal part number. In this case application must be made direct to Messrs. Amal Ltd, (see page 4 for address).

