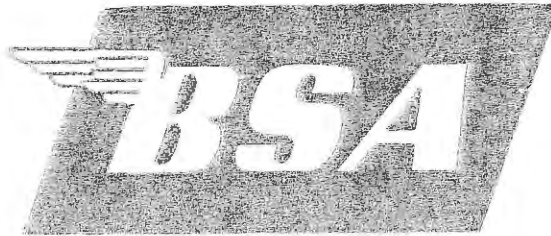


20-10215C

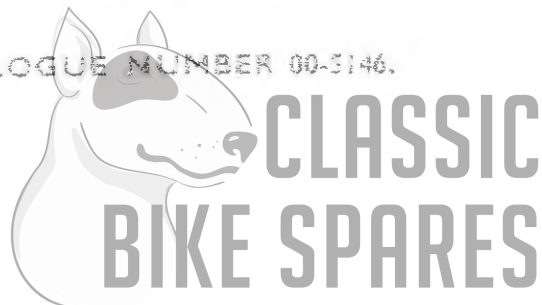


REPLACEMENT PARTS LIST

Model B44 VICTOR SPECIAL

FROM ENGINE AND FRAME NUMBERS P.C.07723B44V.S.

CATALOGUE NUMBER 00-5146.



1969



CATALOGUE OF



FOR

B44 Victor Special

ISSUED BY

B.S.A. MOTOR CYCLES LTD.

Service Department, Armoury Road,
Birmingham 11

TELEPHONE 021-772-2381

TELEGRAMS "SELMOTO BIRMINGHAM"

B.S.A. MOTOR CYCLES LTD.

Registered Offices and Works: ARMOURY ROAD, BIRMINGHAM 11

Telephone: 021-772-2381

Telegrams and Cables: "SELMOTO BIRMINGHAM"

Contractors to Her Majesty's Government, the War Office, the Admiralty, the Post Office, the Colonial and Foreign Governments

Publication Reference 00-5146 October, 1968.

Printed in England by B.S.A. Press



Please Note!

Replacement parts or accessories must be of B.S.A. origin or as approved by B.S.A. Motor Cycles Ltd.

In this respect your attention is drawn to the Terms and Conditions of B.S.A. Guarantee.



SUFFIX NUMBERS TO BE USED TO IDENTIFY VARYING FINISHES

When ordering components with varying finishes, please state finish required by adding the appropriate number to part number.

EXAMPLE:

PETROL TANK:

Yellow on polished alloy, white lines /218

MUDGUARDS:

Chrome /003

OTHER PARTS:

Chrome /3

Black /7

Silver /165

PRICES:

No price codes are quoted in this list. For prices please refer to the Master Price List No. 00-5125.

Wherever possible details of thread form and size are quoted after description of nuts, bolts, screws, studs and washers. Such as: 14-7006 Socket screw ($\frac{1}{4}$ " U.N.C. \times 1") = $\frac{1}{4}$ " diameter unified coarse thread 1" long under head.

Vital components, which are manufactured from special material, are indicated by a sign and the British Standard symbol for the material is quoted at the foot of the page.

ABBREVIATIONS:

- B.A. = British Association screw threads.
- B.S.C. = British Standard Cycle screw threads.
- B.S.F. = British Standard Fine screw threads.
- WHIT. = Whitworth Standard screw threads.
- U.N.F. = Unified Fine screw threads.
- U.N.C. = Unified Coarse screw threads.
- C/SK. = Countersunk head.



CARBURETTERS

AMAL LIMITED, HOLDFORD ROAD, WITTON, BIRMINGHAM 6.

CHAINS

REYNOLDS CHAINS LIMITED, WYTHESHAW, MANCHESTER.

ELECTRICAL EQUIPMENT

J. LUCAS LIMITED, GREAT HAMPTON STREET, BIRMINGHAM 18.

SPEEDOMETERS

SMITH'S MOTOR ACCESSORIES LIMITED, CRICKLEWOOD WORKS, LONDON N.W.2.

TYRES

DUNLOP COMPANY LIMITED, FORT DUNLOP, BIRMINGHAM 24.

SPARKING PLUGS

CHAMPION SPARKING PLUG COMPANY LIMITED, FELTHAM, MIDDLESEX.

SHOCK ABSORBERS

GIRLING LIMITED, BIRMINGHAM ROAD, WEST BROMWICH.



ASSEMBLIES COMPLETE

<i>Spares No.</i>	<i>Description</i>
00-3171	TOP OVERHAUL GASKET SET.
00-3313	FULL OVERHAUL GASKET SET.
00-3463	PISTON RING SET (standard).
00-3464	PISTON RING SET (+.010"; .254 mm.).
00-3465	PISTON RING SET (+.020"; .508 mm.).
00-3474	PISTON RING SET (standard, alternative H. & G.).
00-3475	PISTON RING SET (-.010", alternative H. & G.).
00-3476	PISTON RING SET (+.020", alternative H. & G.).
70-9425	ENGINE/GEARBOX UNIT COMPLETE LESS CARBURETTER AND EXHAUST SYSTEM.
70-9398	CRANKCASE COMPLETE WITH FIXED FITTINGS.
70-9548	FLYWHEEL AND CONNECTING ROD ASSEMBLY.
40-3235	CLUTCH ASSEMBLY COMPLETE.
41-805	OIL PUMP COMPLETE.
82-9214	FRAME COMPLETE WITH FIXED FITTINGS.
97-2565	FRONT FORK ASSEMBLY.
68-5554	FRONT WHEEL WITH SPINDLE AND BEARINGS.
68-5535	FRONT HUB WITH SPINDLE AND BEARINGS.
41-6009	REAR WHEEL WITH SPINDLE AND BEARINGS.
41-6022	REAR HUB WITH SPINDLE AND BEARINGS.



PISTON CHART

PISTONS COMPLETE				
Compression Ratio	Standard	+.010" (.254 mm.)	+.020" (.508 mm.)	
9.4 : 1	41-793	41-795	41-797	
	COMPRESSION RINGS			
	Taper 41-92 (2)	Taper 41-104 (2)	Taper 41-93 (2)	Standard Fitting
	Top 70-8203 Taper 70-8202	Top 70-8313 Taper 70-8312	Top 70-8293 Taper 70-8291	Alternative Hepworth & Grandage Rings
	SCRAPER RINGS			
	41-98	41-102	41-99	Standard Fitting
	70-8204	70-8314	70-8295	Alternative Hepworth & Grandage Rings

CARBURETTER SETTINGS

Spares Number	Makers Number	Main Jet	Pilot Jet	Throttle Slide	Needle Jet	Needle Position
19-2400	R.930/11	230	25	3	.107	2



INDEX

	<i>Page</i>
CYLINDER HEAD, EXHAUST PIPE	8 - 9
CYLINDER AND CRANKSHAFT	10 - 11
CRANKCASE	12 - 13
OIL PUMP, GEARBOX SPROCKET	14 - 15
GEAR CLUSTER	16 - 17
GEARCHANGE MECHANISM	18 - 19
FOOTSTART AND FOOTCHANGE	20 - 23
CLUTCH AND PRIMARY COVER	24 - 25
FRAME, BATTERY CARRIER, REAR BRAKE CONTROL	26 - 27
SWINGING ARM	28 - 29
FOOTRESTS, ENGINE SHIELD	30 - 31
OIL TANK, SIDECOVER, TOOL TRAY	32 - 33
FRONT FORKS	34 - 37
FRONT WHEEL	38 - 39
REAR WHEEL	40 - 41
MUDGUARDS	42 - 43
PETROL TANK, TWINSEAT, HANDLEBAR AND CONTROLS	44 - 47
ELECTRICAL EQUIPMENT	48 - 51
TOOLS AND SUNDRIES	52 - 53
CARBURETTER AND AIR CLEANER	54 - 55



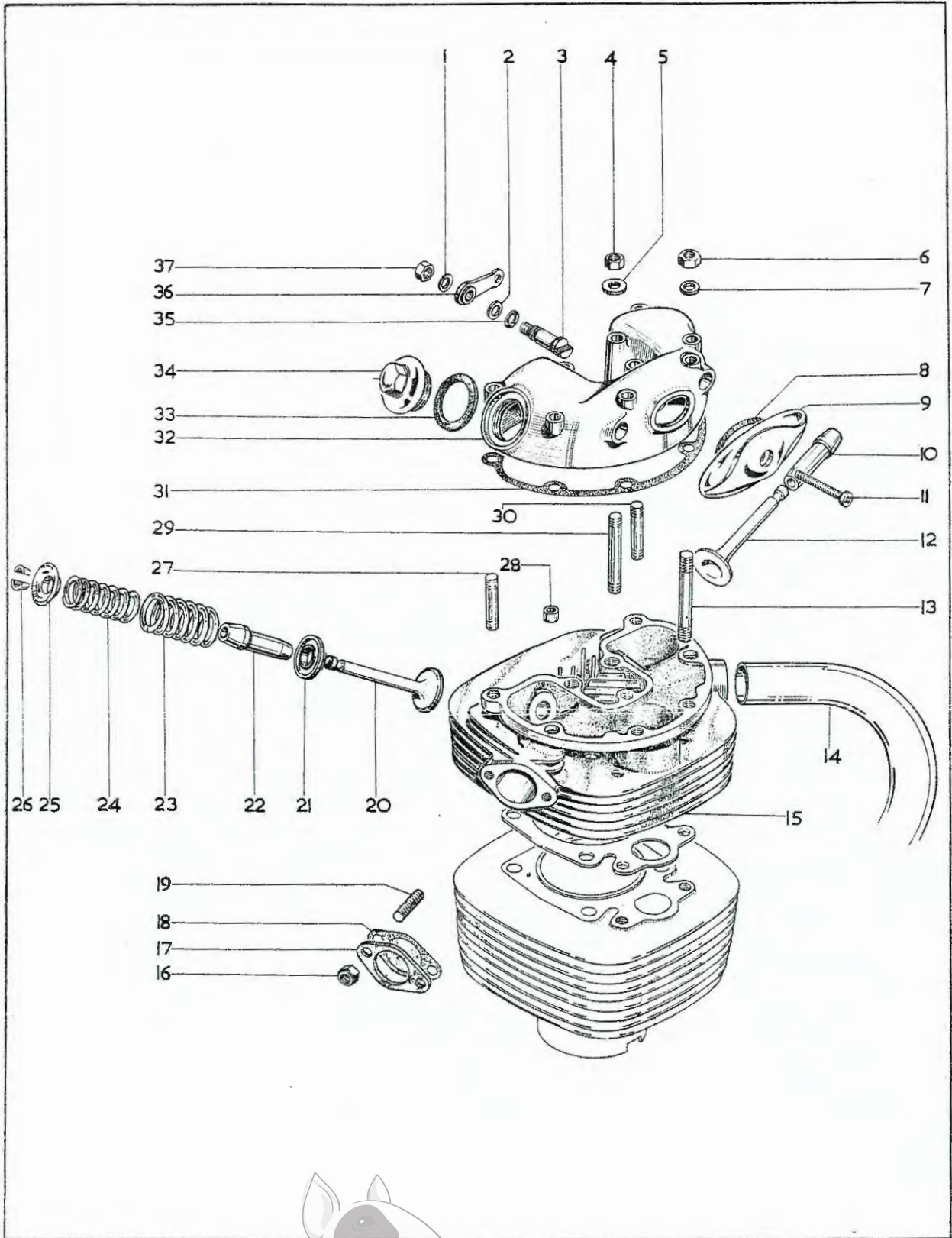
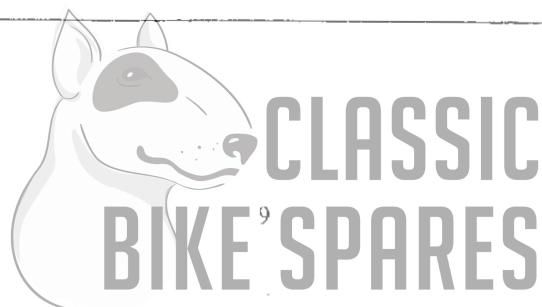


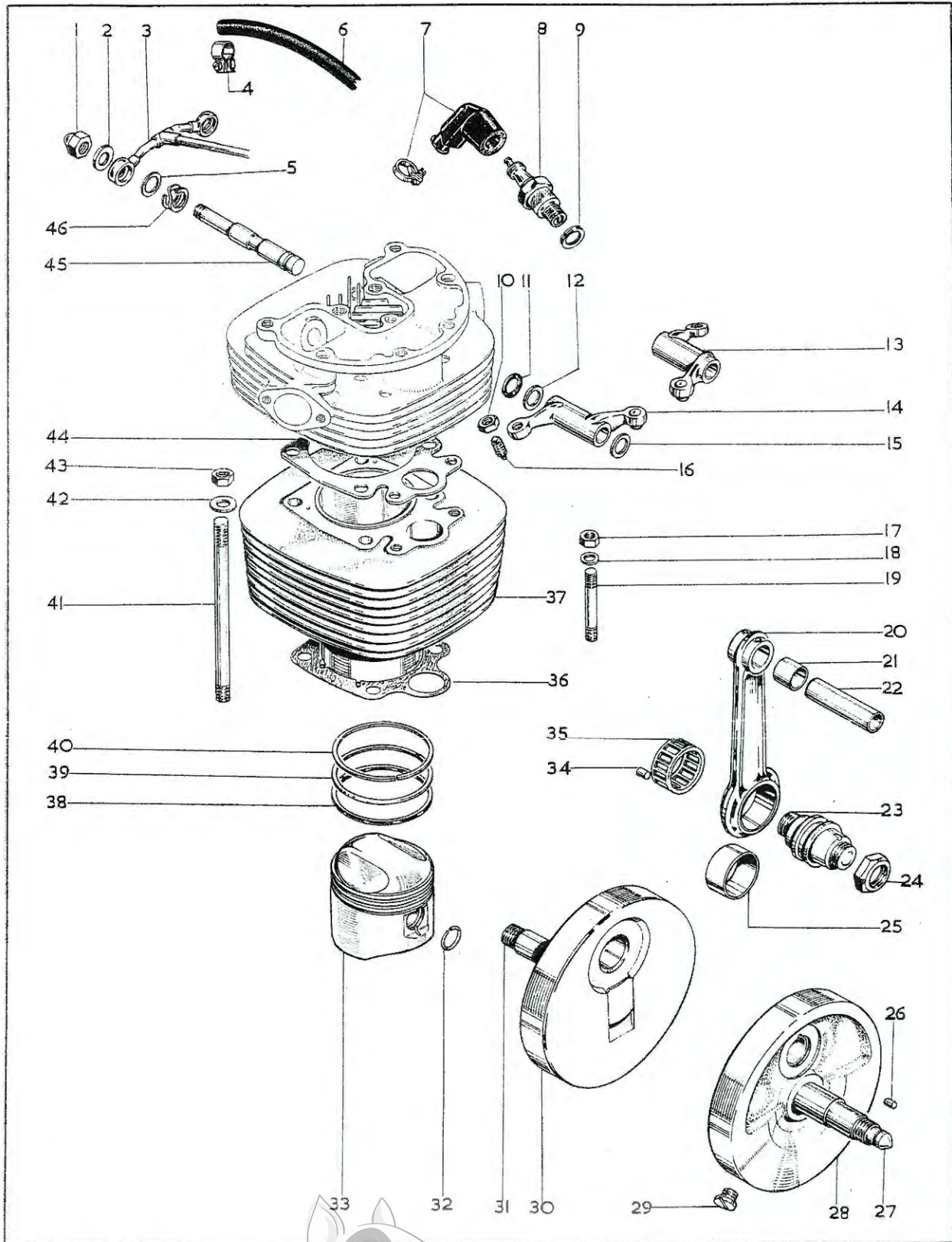
Plate 1

CYLINDER HEAD, EXHAUST PIPE

Code	Spares No.	Description	Per Set
	00-3171	Decoke gasket set	
	00-3313	Full overhaul gasket set	
1.	2-525	Washer, for nut line 37 ($\frac{1}{4} \times \frac{1}{2} \times .048$)	
2.	15-5155	Washer, valve lifter ($21/64 \times \frac{1}{2} \times .048$)	
3.	40-417	Exhaust valve lifter	
4.	24-6040	Nut, rocker box ($\frac{5}{16}$ " B.S.C.)	2
5.	2-923	Washer, rocker box nut ($\frac{5}{16} \times \frac{5}{8} \times \frac{1}{16}$)	2
6.	40-209	Nut, rocker box ($\frac{1}{4}$ " B.S.C.)	7
7.	2-525	Washer, rocker box nut ($\frac{1}{4} \times \frac{1}{2} \times .048$)	7
8.	40-56	Gasket, rocker inspection cover	
9.	40-208	Rocker inspection cover	
10.	41-633	Exhaust valve guide	
11.	40-309	Screw, rocker inspection cover	
12.	41-789	Exhaust valve	
13.	40-129*	Cylinder head stud, long ($\frac{1}{4}$ " B.S.C./B.S.F. $\times 2-15/16$ ")	3
14.	70-9467	Exhaust pipe complete	
15.	41-784	Cylinder head with fixed fittings	
16.	42-4476	Carburetter stud nut ($\frac{5}{16}$ " B.S.C.)	2
17.	70-7821	Tufnol washer, carburetter joint	
18.	65-1417	Carburetter joint gasket	
19.	68-18*	Carburetter stud ($\frac{5}{16}$ " B.S.C./B.S.F. $\times 1\frac{3}{8}$ ")	2
20.	41-788	Inlet valve	
21.	68-931	Valve spring bottom cup	2
22.	41-632	Inlet valve guide	
23.	65-2494	Valve spring (outer)	2
24.	65-2495	Valve spring (inner)	2
25.	40-171	Valve spring top collar	2
26.	40-167	Valve spring collet	4
27.	40-124	Cylinder head dowel stud	2
28.	66-3074	Cylinder head dowel	2
29.	40-127	Rocker box stud ($\frac{5}{16}$ " B.S.C./B.S.F. $\times 2-9/16$ ")	2
30.	40-131*	Cylinder head stud, short ($\frac{1}{4}$ " B.S.C./B.S.F. $\times 2\frac{1}{4}$ ")	2
31.	70-7857	Rocker box gasket	
32.	40-415	Rocker box	
33.	40-182	Washer, valve inspection cap	2
34.	41-31	Valve inspection cap	2
35.	68-289	"O" ring, valve lifter	
36.	41-176	Exhaust valve lifter lever	
37.	2-443	Nut, valve lifter ($\frac{1}{4}$ " B.S.C.)	

*Special material: 13.—EN15, 19.—EN15, 30.—EN15.





CYLINDER AND CRANKSHAFT

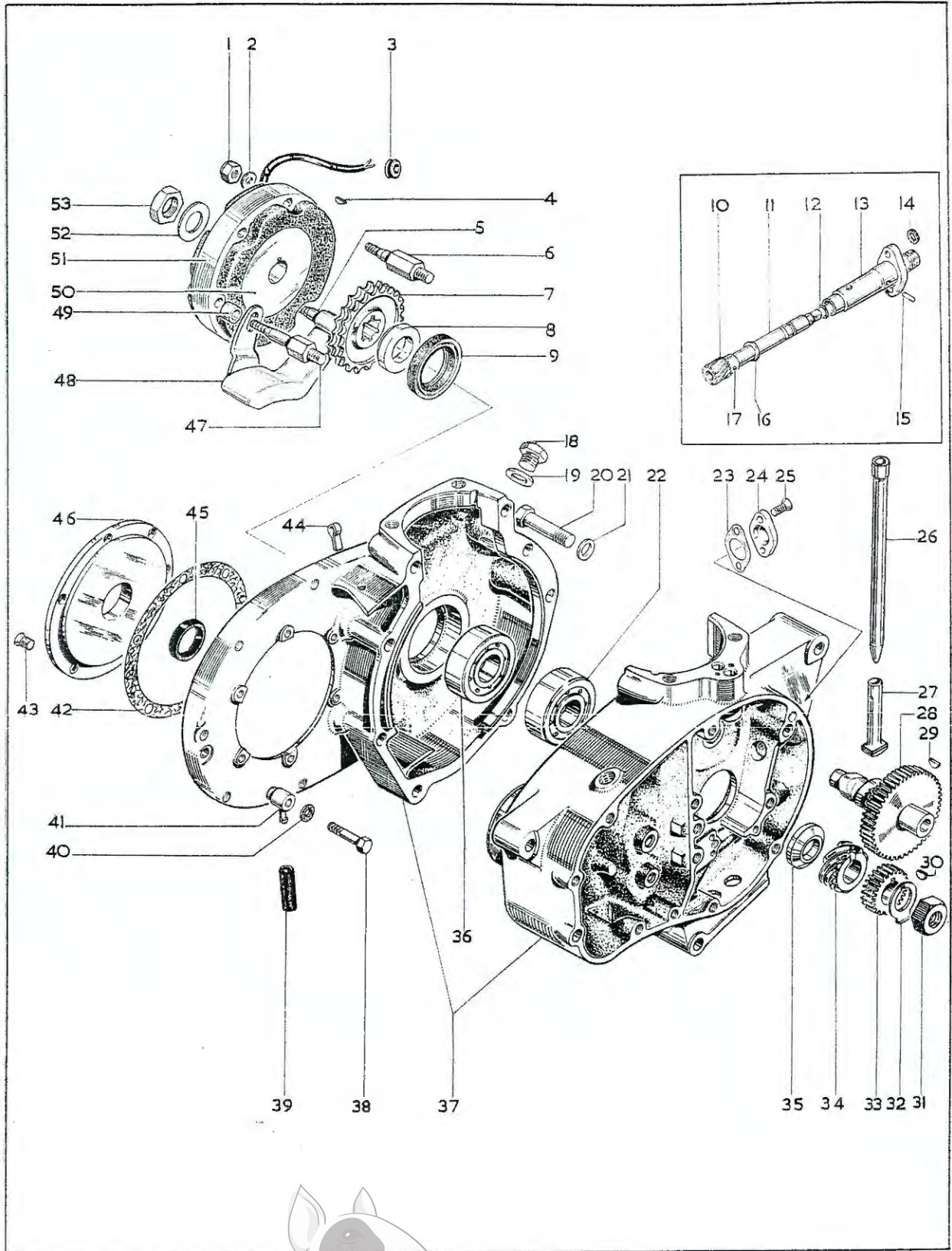
Code	Spares No.	Description	Per Set
1.	40-162	Nut, rocker spindle ($\frac{3}{8}$ " B.S.C. domed)	2
2.	40-159	Washer, oil feed pipe	4
3.	41-807	Rocker oil feed pipe	
4.	62-263	Clip, for oil pipe line 6	
5.	40-157	Thrust washer ($\frac{3}{8}$ " rocker spindle	2
6.	40-1037	Flexible oil pipe, rockers	
7.	19-7625	Spark plug cover (Champion WC.548)	
8.	19-7616	Spark plug (Champion N4)	
9.	66-102	Spark plug washer	
10.	24-563	Nut, rocker adjusting screw ($\frac{5}{16}$ " B.S.C.)	2
11.	40-148	"O" ring, rocker spindle	2
12.	40-158	Thrust washer ($\frac{1}{2}$ " rocker spindle	2
13.	40-296	Exhaust rocker complete	
14.	40-292	Inlet rocker complete	
15.	40-158	Thrust washer ($\frac{1}{2}$ " rocker spindle	2
16.	68-155*	Rocker adjusting screw ($\frac{1}{16}$ " B.S.C.)	2
17.	24-5160	Nut, cylinder stud ($\frac{1}{16}$ " B.S.C.)	2
18.	76-12	Washer, cylinder stud ($21/64" \times 9/16" \times 3/32"$)	2
19.	41-44*	Cylinder stud ($\frac{1}{16}$ " B.S.C./B.S.F. $\times 2-25/32"$)	2
20.	41-549	Connecting rod complete	
21.	66-492	Small-end bush, connecting rod	
22.	41-101	Gudgeon pin	
23.	41-586	Crankpin	
24.	41-588	Crankpin nut	2
25.	41-183	Big-end bush, connecting rod	
26.	41-551	Peg, crankpin location	
27.	41-564	Engine shaft (right-hand)	
28.	41-554	Flywheel complete (right-hand)	
29.	40-43	Flywheel plug	
30.	70-9549	Flywheel complete (left-hand)	
31.	41-579	Engine shaft (left-hand)	
32.	66-954	Gudgeon pin circlip	2
33.	41-793†	Piston complete	
34.	26-650	Crankpin roller	24
35.	40-572	Crankpin roller cage	
36.	70-7727	Cylinder base washer	
37.	41-787	Cylinder barrel	
38.	41-98†	Piston scraper ring	
39.	41-92†	Piston compression ring	
40.	41-92†	Piston compression ring	
41.	21-1964	Stud, cylinder holding	4
42.	41-639	Washer, for nut line 43	4
43.	14-304	Nut, cylinder holding down ($\frac{1}{16}$ " U.N.F.)	4
44.	41-638	Cylinder head gasket	
45.	40-294	Rocker spindle, inlet and exhaust	2
46.	40-156	Spring washer, rocker spindle	
	70-9548	Flywheel and connecting rod assembly	
	41-548	Connecting rod and crankpin assembly	

*Special material: 16.—EN9.

19.—EN14B.

†See page 6.



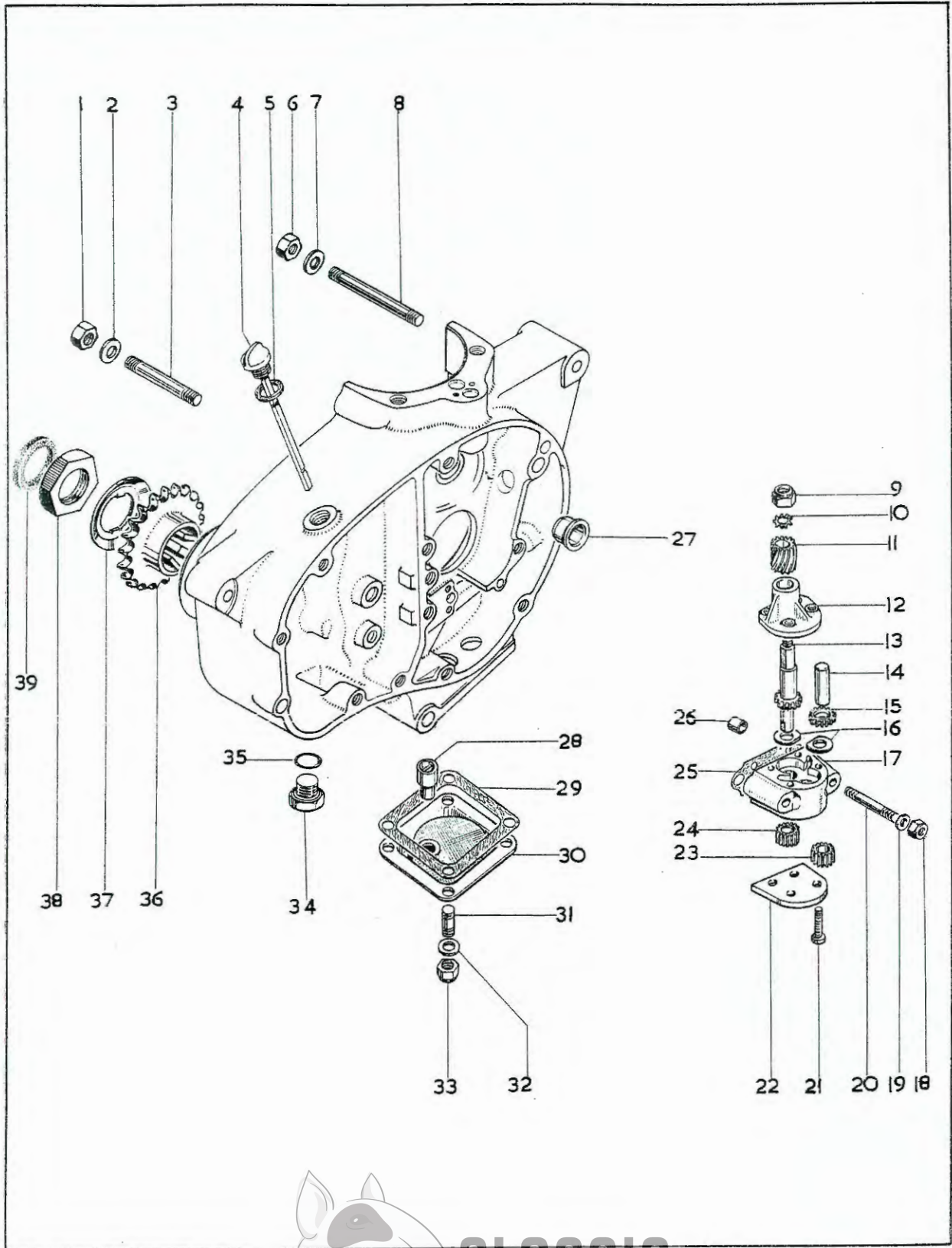


CRANKCASE

Code	Spares No.	Description	Per Set
1.	14-901	Stator self-lock nut	3
2.	2-525	Washer, stator fixing ($\frac{1}{4}$ " \times $\frac{1}{2}$ " \times .048")	3
3.	40-705	Grommet, generator lead	
4.	41-673	Key, rotor to shaft	
5.	21-1896*	Bottom stud, stator fixing ($\frac{1}{4}$ " U.N.F. \times $\frac{5}{16}$ " U.N.C. \times 2-9/16")	
6.	21-1895*	Front stud, stator fixing ($\frac{1}{4}$ " U.N.F. \times $\frac{5}{16}$ " U.N.C. \times 2-19/32")	
7.	41-615	Engine sprocket (28 teeth)	
8.	40-325	Engine sprocket spacer (.320—.324"; 8.128—8.229 mm.)	as reqd.
8.	40-326	Engine sprocket spacer (.309—.312"; 7.884—7.924 mm.)	as reqd.
8.	40-327	Engine sprocket spacer (.294—.297"; 7.467—7.543 mm.)	as reqd.
9.	40-25	Oil seal, crankcase drive side	
	70-9428	Tachometer drive assembly	
10.	70-9382	Tachometer drive shaft gear	
11.	70-9381	Tachometer drive shaft	
12.	70-9430	"O" ring, drive shaft	
13.	70-9517	Drive shaft body	
14.	24-36	Sealing washer, drive shaft	
15.	70-9431	Locating pin, drive shaft	
16.	70-9383	Thrust washer, drive shaft	
17.	70-9429	Retaining pin, drive gear	
18.	21-1872	Plug timing aperture	
19.	70-8896	Washer, for plug line 18	
20.	21-1892	Bolt, crankcase ($\frac{5}{16}$ " U.N.C. \times 1 $\frac{1}{2}$ ")	3
21.	2-923	Washer, crankcase bolt ($\frac{5}{16}$ " \times $\frac{5}{8}$ " \times $\frac{1}{16}$ ")	3
22.	24-732	Bearing, right-hand (Hoffman 325)	
23.	70-9432	Gasket, tachometer drive	
24.	70-9384	Cover plate, tachometer drive hole	
25.	40-242*	Screw, tachometer drive (2 B.A. \times 27/64" countersunk)	2
26.	41-790	Push rod, inlet and exhaust	2
27.	70-7739	Tappet, inlet and exhaust	2
28.	41-958	Camshaft complete	
29.	40-118	Key, camshaft pinion	
30.	41-560	Key, crankshaft pinion	
31.	42-5864	Nut, crankshaft ($\frac{5}{8}$ " B.S.F.)	
32.	40-455	Lockwasher, crankshaft nut	
33.	41-569	Pinion, crankshaft	
34.	41-567	Oil pump drive, crankshaft	
35.	41-565	Thrust washer, oil pump drive	
36.	24-724	Bearing, left-hand (Hoffman R.325L)	
37.	70-9398	Crankcase with fixed fittings	
38.	14-6203	Bolt, rear chain oiler ($\frac{1}{4}$ " U.N.C. \times 1 $\frac{1}{4}$ ")	
39.	40-375	Oil pipe, rear chain oiler	
40.	66-7518	Washer, chain oiler bolt (fibre $\frac{1}{4}$ " \times 17/32" \times .078")	
41.	68-383	Rear chain oiler	
42.	40-241	Gasket, primary case back	
43.	40-246	Screw, primary case back (2 B.A. \times $\frac{1}{16}$ ")	6
44.	40-9190	Clip, generator leads	
45.	40-243	Oil seal, primary case back	
46.	70-3789	Cover plate, primary case back	
47.	21-1894*	Rear stud, stator fixing ($\frac{1}{4}$ " U.N.F. \times $\frac{5}{16}$ " U.N.C. \times 2-19/32")	
48.	41-143	Chain tensioner, primary	
49.	41-146	Distance piece, chain tensioner	
50.	19-8019	Generator rotor (Lucas 54213901)	
51.	19-1262	Generator stator (Lucas 47205)	
52.	29-2054	Washer, rotor fixing	
53.	29-2053	Nut, rotor fixing	

*Special material: 5.—EN8, 6.—EN14B, 25.—EN8R, 47.—EN14B.

CLASSIC
BIKE SPARES

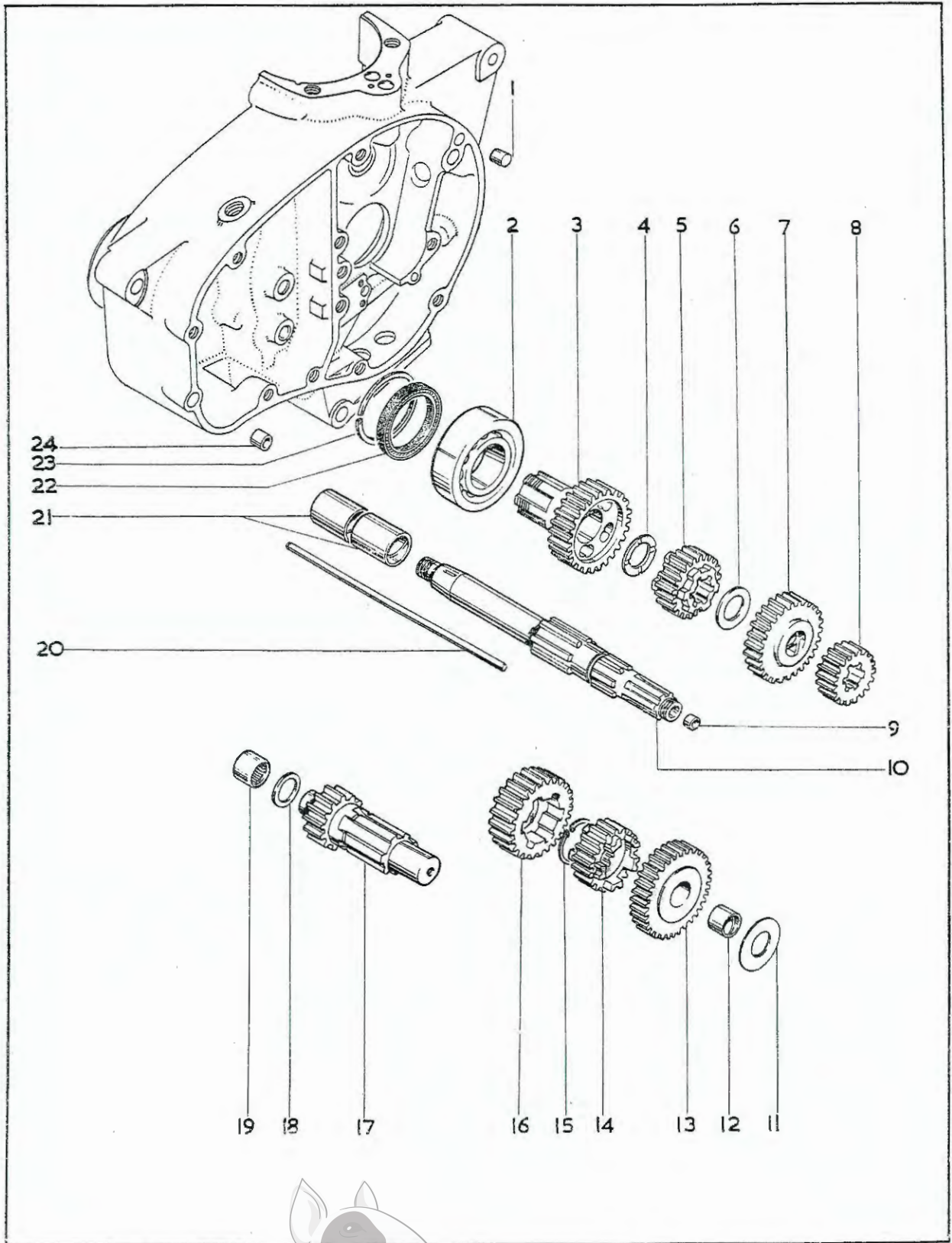


OIL PUMP, GEARBOX SPROCKET

Code	Spares No.	Description	Per Set
1.	14-302	Nut, crankcase stud ($\frac{5}{16}$ " U.N.F.)	2
2.	2-923	Washer, for nut line 1 ($\frac{5}{16}$ " \times $\frac{5}{8}$ " \times $\frac{1}{16}$ ")	2
3.	21-1890	Crankcase stud, rear ($\frac{5}{16}$ " U.N.F./U.N.C. \times 2-11/16")	2
4.	40-1033	Gearbox dipstick	
5.	57-948	Dipstick washer	
6.	14-302	Nut, crankcase stud ($\frac{5}{16}$ " U.N.F.)	2
7.	2-923	Washer, for nut line 6 ($\frac{5}{16}$ " \times $\frac{5}{8}$ " \times $\frac{1}{16}$ ")	2
8.	21-1889	Crankcase stud (top)	2
9.	40-414	Nut, oil pump spindle ($\frac{1}{4}$ " B.S.C.)	
10.	29-541	Lockwasher, oil pump spindle	
11.	41-603	Oil pump driving gear	
12.	41-608	Oil pump spindle housing	
13.	41-712	Oil pump driving spindle	
14.	41-606	Oil pump driven spindle	
15.	41-713	Oil pump feed gear (driven)	
16.	41-714	Oil pump thrust washer	2
17.	41-803	Oil pump body	
18.	14-901	Nut, oil pump mounting ($\frac{1}{4}$ " U.N.F.)	2
19.	68-938	Washer, oil pump mounting ($\frac{17}{64}$ " \times $\frac{5}{8}$ " \times $\frac{1}{16}$ ")	2
20.	21-1893*	Stud, oil pump mounting ($\frac{1}{4}$ " U.N.F./U.N.C. \times 2 $\frac{3}{16}$ ")	2
21.	41-609	Screw, oil pump cover plate ($\frac{3}{16}$ " B.S.C. \times 1 $\frac{5}{16}$ ")	4
22.	67-1391	Oil pump cover plate	
23.	41-605	Oil pump scavenge gear (driven)	
24.	41-604	Oil pump scavenge gear (driver)	
25.	41-804	Oil pump gasket	
26.	41-706	Dowel, oil pump	2
27.	70-8315	Camshaft bush	
28.	41-624	Scavenge valve complete	
29.	67-1288	Scavenge cover gasket	
30.	41-620	Scavenge cover	
31.	14-1401	Stud, scavenge cover ($\frac{1}{4}$ " U.N.F./U.N.C. \times 1")	4
32.	2-525	Washer, scavenge cover ($\frac{1}{4}$ " \times $\frac{1}{2}$ " \times .048")	4
33.	14-901	Locknut, scavenge cover ($\frac{1}{4}$ " U.N.F.)	4
34.	21-1857	Drain plug, gearbox ($\frac{1}{2}$ " U.N.C.)	
35.	68-3168	"O" ring, drain plug	
36.	41-3092	Gearbox sprocket (17 teeth)	
37.	40-3121	Lockwasher, gearbox sprocket	
38.	40-3051*	Nut, gearbox sprocket (1 $\frac{3}{16}$ " \times 20 threads per inch WHIT.)	
39.	90-6074	Felt washer, gearbox sprocket	

*Special material: 20.—EN14B. 38.—EN8.

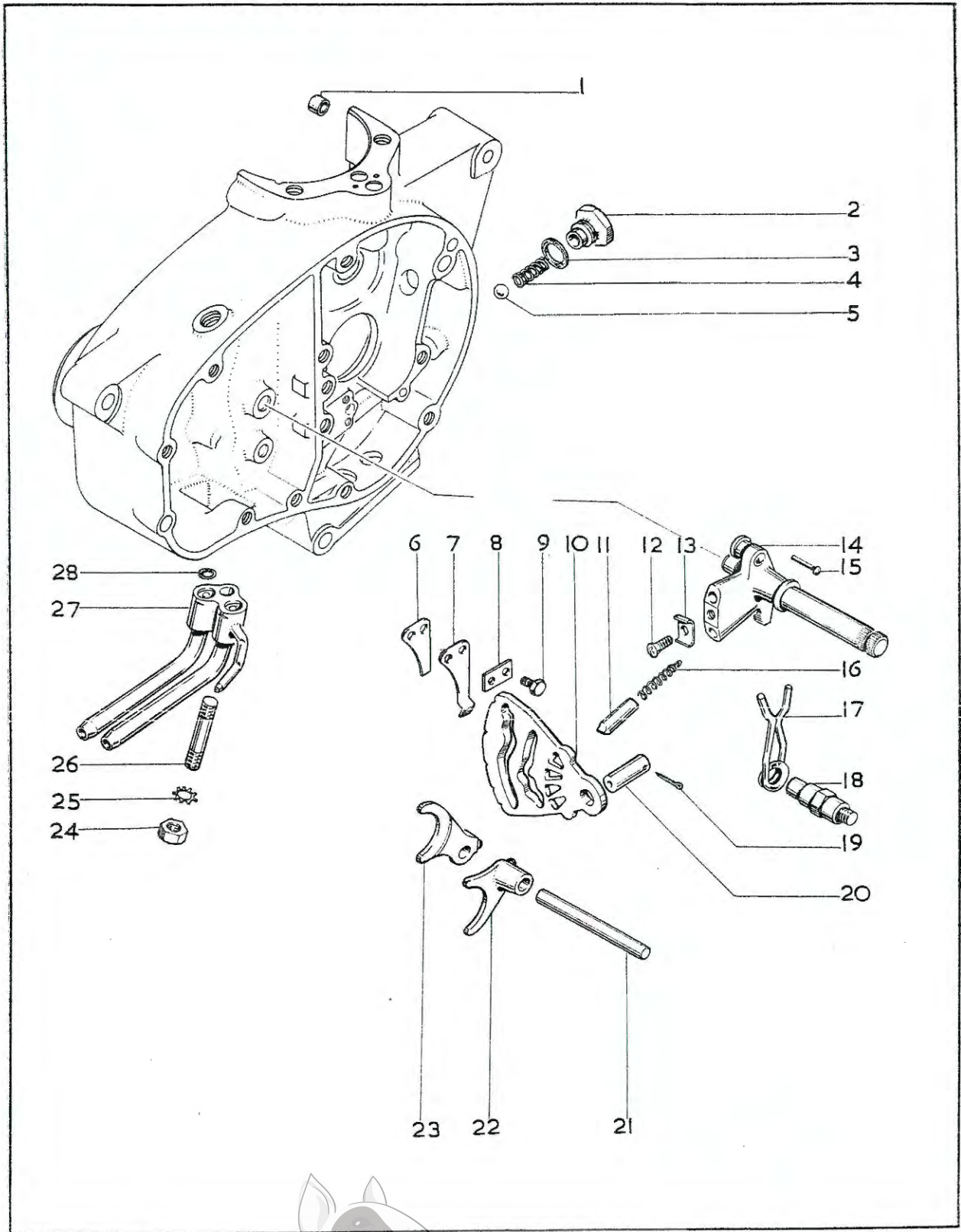




GEAR CLUSTER

Code	Spares No.	Description	Per Set
1.	40-394	Dowel, inner cover to crankcase	2
2.	29-3857	Mainshaft bearing (Hoffman 130)	
3.	57-3872	Pinion, mainshaft top gear (22 teeth)	
4.	40-3020	Spacer (.093—.094"; 2.3622—2.3876 mm.)	as reqd.
4.	40-3126	Spacer (.098—.099"; 2.4892—3.1146 mm.)	as reqd.
4.	40-3127	Spacer (.103—.104"; 2.6162—2.6416 mm.)	as reqd.
5.	57-3876	Pinion, layshaft second gear (21 teeth)	
6.	40-3019	Spacer (.075—.076"; 1.905—1.9304 mm.)	as reqd.
6.	40-3119	Spacer (.070—.071"; 1.778—1.8034 mm.)	as reqd.
6.	40-3120	Spacer (.080—.081"; 2.032—2.0574 mm.)	as reqd.
7.	41-3063	Pinion, mainshaft third gear (24 teeth)	
8.	41-3089	Pinion, mainshaft first gear (16 teeth)	
9.	40-3007	Mainshaft bush, push rod	
10.	40-3254	Mainshaft with bush	
11.	40-3258	Layshaft shim	
12.	40-3262	Bush, layshaft first gear	
13.	57-3874	Pinion, layshaft first gear (27 teeth)	
14.	57-3877	Pinion, layshaft third gear (19 teeth)	
15.	41-3078	Layshaft circlip	
16.	41-3070	Pinion, layshaft second gear (22 teeth)	
17.	41-3068	Layshaft with top gear (14 teeth)	
18.	41-3074	Thrust washer (.083—.085"; 2.1082—2.159 mm.)	as reqd.
18.	41-3072	Thrust washer (.078—.080"; 1.9812—2.032 mm.)	as reqd.
19.	40-3292	Layshaft bearing (Torrington B.108)	
20.	40-3265	Clutch push rod	
21.	41-3045	Bush, mainshaft top gear	2
22.	41-3054	Mainshaft oil seal	
23.	70-6026	Circlip, mainshaft oil seal	

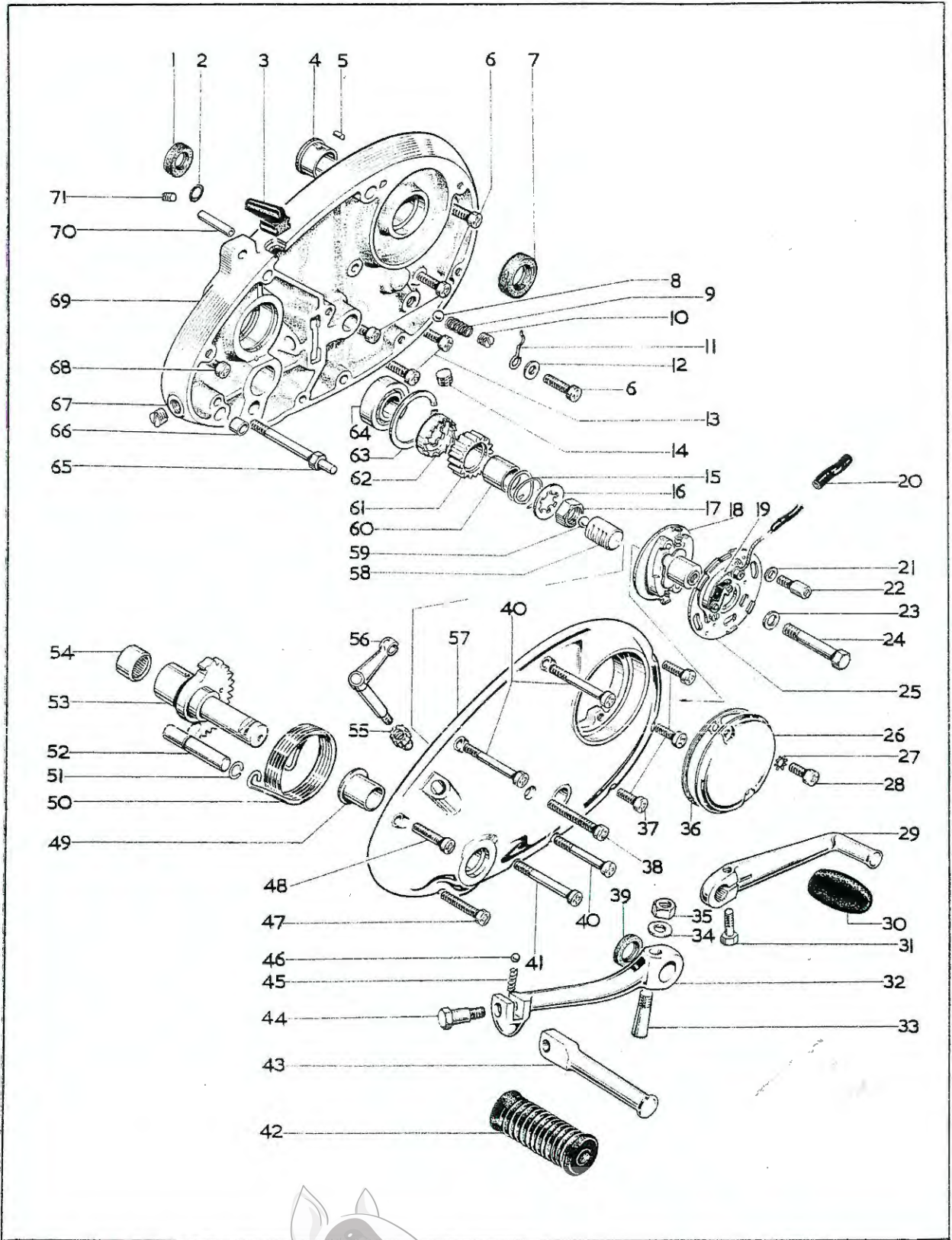




GEARCHANGE MECHANISM

<i>Code</i>	<i>Spares No.</i>	<i>Description</i>	<i>Per Set</i>
1.	67-1236	Crankcase dowel	
2.	21-1972	Pressure release valve plug	
3.	67-1498	Washer, pressure release valve	
4.	40-387	Spring, pressure release valve	
5.	90-241	Bail, pressure release valve ($\frac{5}{16}$ " diameter)	
6.	40-3043	Spring plate	
7.	40-3042	Cam plate spring	
8.	40-3045	Lock plate, for screw line 9	
9.	40-3044	Screw, cam plate spring (2 B.A. $\times \frac{3}{8}$ ")	2
10.	57-3850	Camplate, gearchange	
11.	40-3193	Plunger, gearchange quadrant	2
12.	40-3323	Screw, plunger keeper plate (5 B.A. $\times \frac{5}{16}$ ")	
13.	40-3194	Keeper plate, gearchange quadrant	
14.	40-3321	Gearchange quadrant complete	
15.	40-3059	Rivet, plunger spring	2
16.	40-3155	Plunger spring	2
17.	40-3061	Gearchange return spring	
18.	57-3763	Anchor bolt, return spring	
19.	60-2724	Split pin, cam plate spindle ($\frac{3}{32}$ " \times 1")	
20.	40-3291	Camplate spindle	
21.	40-3032	Selector fork spindle	
22.	40-3033	Layshaft selector fork	
23.	57-3854	Mainshaft selector fork	
24.	14-302	Nut, oil pipe union stud ($\frac{5}{16}$ " U.N.F.)	
25.	36-382	Lockwasher, union stud	
26.	21-1891	Stud, oil pipe union ($\frac{5}{16}$ " U.N.F./U.N.C. \times 1 $\frac{7}{8}$ ")	
27.	40-1035	Crankcase oil pipe union	
28.	70-8259	"O" ring, oil union pipe	2

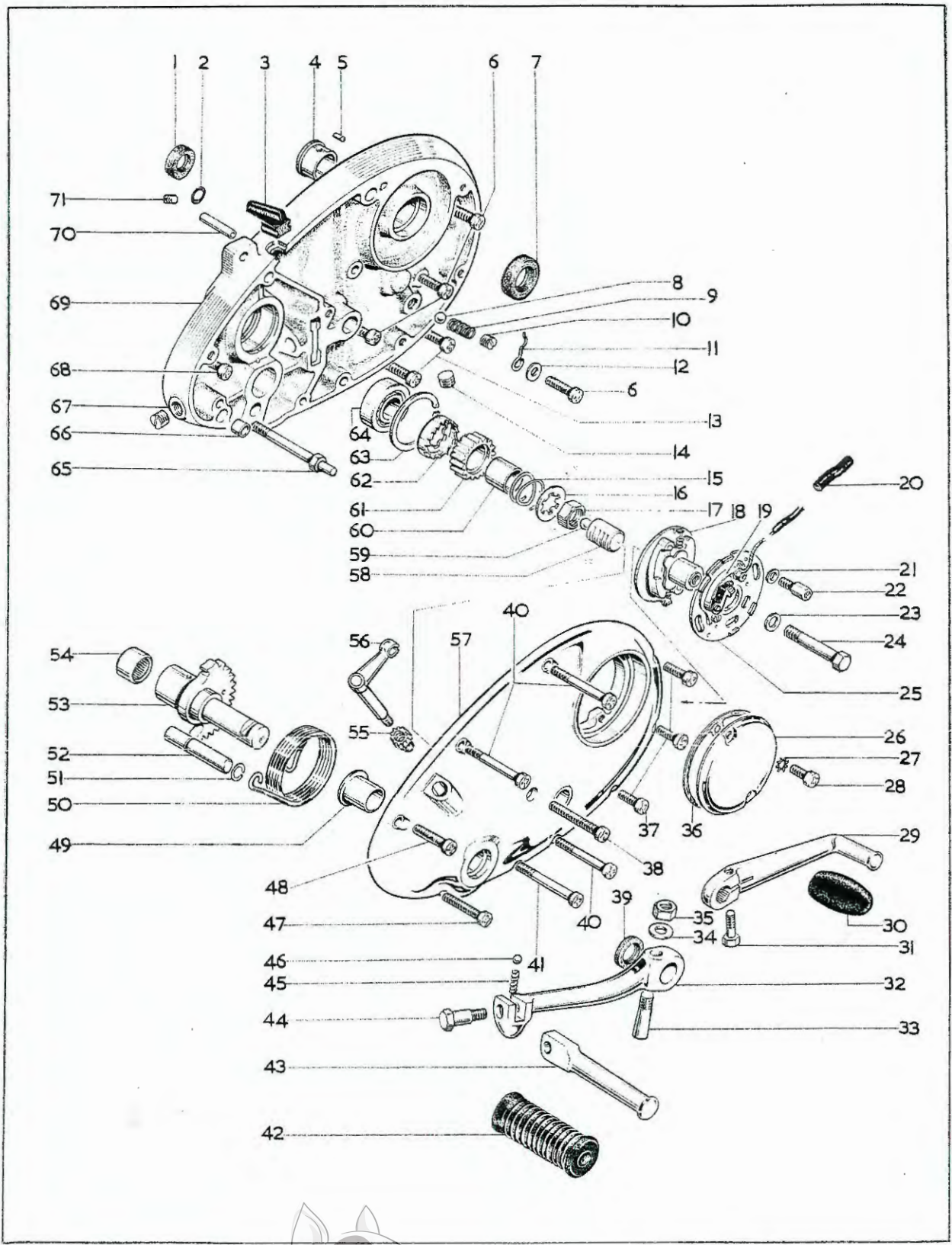




FOOTSTART AND FOOTCHANGE

Code	Spares No.	Description	Per Set
1.	40-977	Oil seal, crankshaft	
2.	68-289	"O" ring, inner cover	
3.	41-715	Grommet, contact breaker cable	
4.	40-222	Camshaft bush	
5.	40-28	Camshaft bush peg	
6.	14-6610	Screw, inner cover to crankcase ($\frac{1}{4}$ " U.N.C. \times $1\frac{1}{2}$ ")	4
7.	40-579	Camshaft oil seal	
8.	97-2704	Steel ball, non-return valve ($\frac{1}{4}$ " diameter)	
9.	40-385	Spring, non-return valve	
10.	21-1898	Plug, non-return valve	
11.	90-5268	Clip, contact breaker leads	
12.	2-525	Washer, contact breaker lead clip	
13.	14-6606	Bottom screw, inner cover ($\frac{1}{4}$ " U.N.C. \times $\frac{3}{4}$ ")	2
14.	70-9526	Sealing plug	
15.	40-3273	Spring, kickstart ratchet	
16.	40-3257	Mainshaft lockwasher	
17.	76-271	Mainshaft nut	
18.	19-1853	Auto-advance unit (Lucas 54419653)	
19.	19-1849	Contact Set (Lucas 54419827)	
20.	40-723	Contact breaker lead sleeve	
21.	40-682	Washer, contact breaker plate	2
22.	40-683	Pillar bolt, contact breaker plate	2
23.	68-331	Washer, auto-advance unit	
24.	70-7831	Bolt, auto-advance unit	
25.	19-1852	Contact breaker plate (Lucas 54419645)	
26.	70-8737	Contact breaker cover	
27.	29-3319	Lockwasher, cover screw	2
28.	70-7354	Screw, contact breaker cover (2 B.A. \times $\frac{1}{2}$ ")	2
29.	40-3073	Gearchange lever	
30.	89-3208	Rubber, gearchange pedal	
31.	42-6554	Bolt, gearchange pedal ($\frac{1}{4}$ " B.S.C. \times $\frac{3}{4}$ ")	
32.	57-2764	Kickstart lever complete	
33.	2-2579	Cotter, kickstart lever	
34.	2-2580	Washer, kickstart lever cotter ($\frac{9}{32}$ " \times $\frac{1}{2}$ " \times $\frac{1}{16}$ ")	
35.	2-2578	Nut, kickstart lever cotter (.266" B.S.C.)	
36.	70-7882	Gasket, contact breaker cover	





FOOTSTART AND FOOTCHANGE

Code	Spares No.	Description	Per Set
37.	40-236	Screw, outer cover (2 B.A. $\times \frac{5}{8}$ ")	3
38.	14-6611	Screw, outer cover ($\frac{1}{4}$ " U.N.C. $\times 1\frac{3}{4}$ ")	
39.	57-2461	Oil seal, kickstart spindle	
40.	14-6612	Screw, outer cover ($\frac{1}{4}$ " U.N.C. $\times 2$ ")	3
41.	14-6614	Screw, outer cover ($\frac{1}{4}$ " U.N.C. $\times 2\frac{1}{2}$ ")	
42.	57-2759	Pedal rubber, kickstart lever	
43.	57-2646	Folding pedal, kickstart lever	
44.	40-3084	Bolt, kickstart folding pedal ($\frac{5}{16}$ " B.S.C. $\times 1\frac{3}{16}$ ")	
45.	40-3085	Spring, kickstart folding pedal	
46.	97-2704	Ball, kickstart folding pedal ($\frac{1}{4}$ " diameter)	
47.	14-6609	Screw, outer cover ($\frac{1}{4}$ " U.N.C. $\times 1\frac{1}{4}$ ")	
48.	14-6606	Screw, outer cover ($\frac{1}{4}$ " U.N.C. $\times \frac{3}{4}$ ")	
49.	57-2642	Bush, kickstart spindle	
50.	40-3275	Return spring, kickstart lever	
51.	40-3277	Circlip, kickstart quadrant stop	
52.	40-3276	Kickstart quadrant stop	
53.	57-2643	Kickstart spindle complete	
54.	40-3292	Bearing, kickstart spindle (Torrington B.108)	
55.	40-3283	Pinion, clutch operating lever	
56.	57-2750	Clutch lever complete	
57.	70-9433	Outer timing cover	
58.	40-3282	Rack, clutch operating	
59.	65-2593	Ball, clutch push rod thrust ($7/32$ " diameter)	
60.	40-3272	Bush, kickstart ratchet pinion	
61.	40-3271	Kickstart ratchet pinion	
62.	40-3279	Kickstart ratchet	
63.	76-528	Circlip, mainshaft bearing	
64.	90-11	Bearing, gearbox mainshaft (Hoffman L.27)	
65.	57-3764	Anchor bolt, kickstart return spring	
66.	66-3074	Dowel, outer to inner cover	2
67.	21-1899	Screw, inner cover	
68.	14-6608	Screw, inner cover ($\frac{1}{4}$ " U.N.C. $\times 1$ ")	
69.	70-9408	Inner cover complete	
70.	75-257	Breather pipe, inner cover	
71.	53-3049	Plug, mainshaft oil feed	



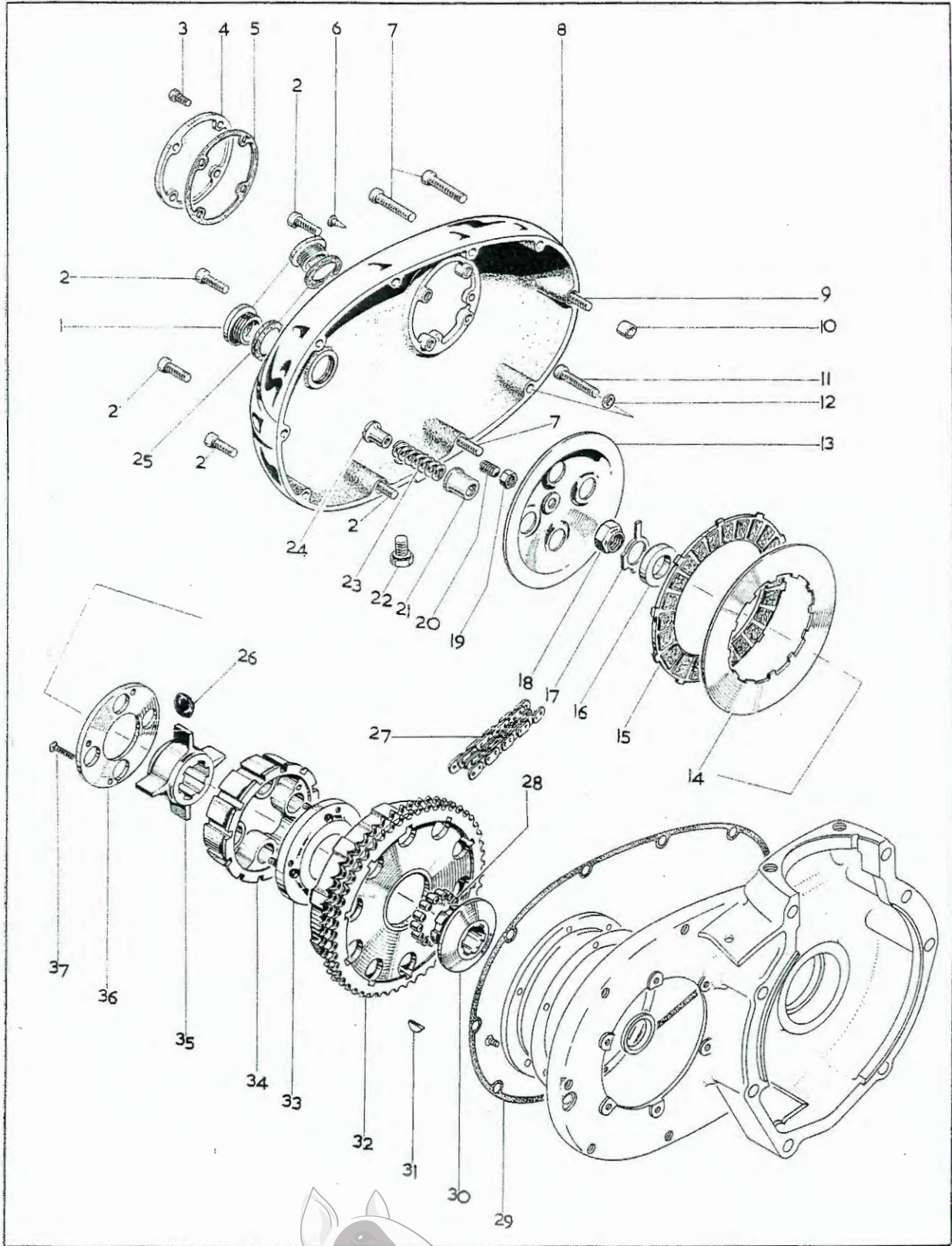


Plate 8

CLUTCH AND PRIMARY COVER

Code	Spares No.	Description	Per Set
1.	57-2166	Screwed plug, primary cover	
1.	70-9800	Screwed breather plug, primary cover	
2.	14-6610	Primary cover screw, short ($\frac{1}{4}$ " U.N.C. \times $1\frac{1}{2}$ ")	5
3.	76-4116	Inspection cover screw (2 B.A. \times $\frac{1}{2}$ ")	4
4.	68-839	Timing inspection cover	
5.	68-840	Gasket, inspection cover	
6.	40-1005	Ignition timing pointer	
7.	14-6611	Primary cover screw, long ($\frac{1}{4}$ " U.N.C. \times $1\frac{3}{4}$ ")	3
8.	70-9427	Primary cover assembly	
9.	21-1951	Primary cover screw, dowel hole ($\frac{1}{4}$ " U.N.C. \times $1\frac{7}{8}$ ")	
10.	66-3074	Dowel, primary cover to crankcase	2
11.	21-1855	Primary case oil level screw ($\frac{1}{4}$ " U.N.C. \times $1\frac{3}{4}$ ")	
12.	40-740	Washer, for screw line 10 (alloy $17/64$ " \times $\frac{3}{8}$ " \times $\frac{1}{16}$ ")	
13.	40-3222	Clutch pressure plate	
14.	40-3220	Clutch driven plate	5
15.	40-3233	Clutch driving plate	4
16.	40-3234	Spacing washer	
17.	40-3221	Lockwasher, for nut line 18	
18.	40-3227	Clutch retaining nut	
19.	2-2395	Nut, clutch adjusting screw ($\frac{1}{4}$ " B.S.C.)	
20.	40-3230	Clutch adjusting screw ($\frac{1}{4}$ " B.S.C. \times $\frac{5}{8}$ ")	
21.	40-3218	Clutch spring clip	4
22.	21-1943	Primary case drain plug	
23.	41-3091	Clutch spring	4
24.	41-3215	Clutch spring nut	4
25.	70-8782	Washer, for screwed plugs lines 1/1	2
26.	41-3212	Rubber pad, drive and rebound	8
27.	19-8683	Primary chain (72 pitch)	
28.	40-3206	Clutch roller	25
29.	70-7856	Gasket, primary cover	
30.	40-3201	Clutch hub	
31.	40-3150	Clutch hub key	
32.	40-3203	Clutch chainwheel	
33.	40-3207	Retaining plate (inner)	
34.	41-3210	Clutch centre	
35.	41-3209	Clutch spider	
36.	40-3210	Retaining plate (outer)	
37.	40-3330	Screw, inner and outer retaining plates (1 " B.A. \times $15/16$ ")	



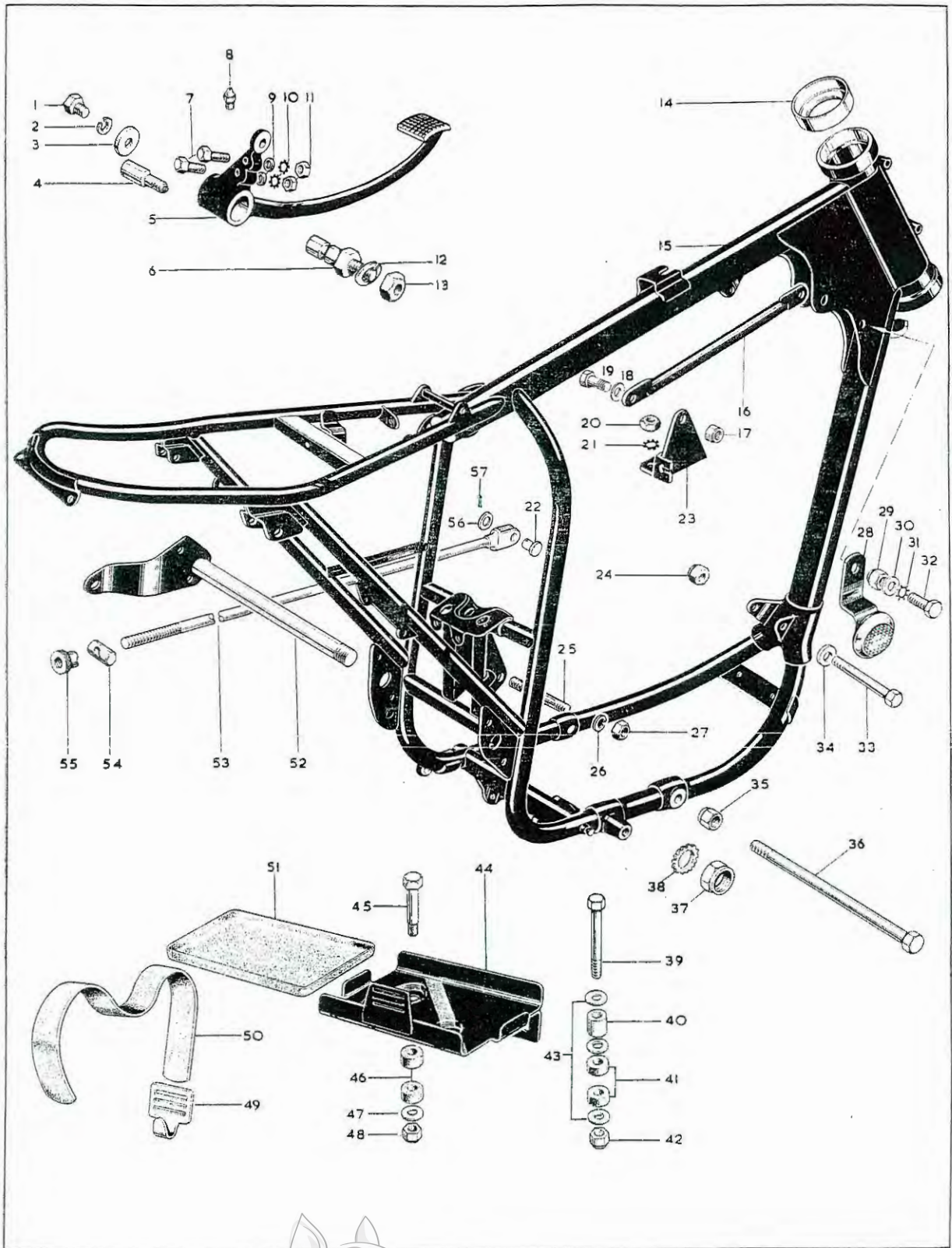


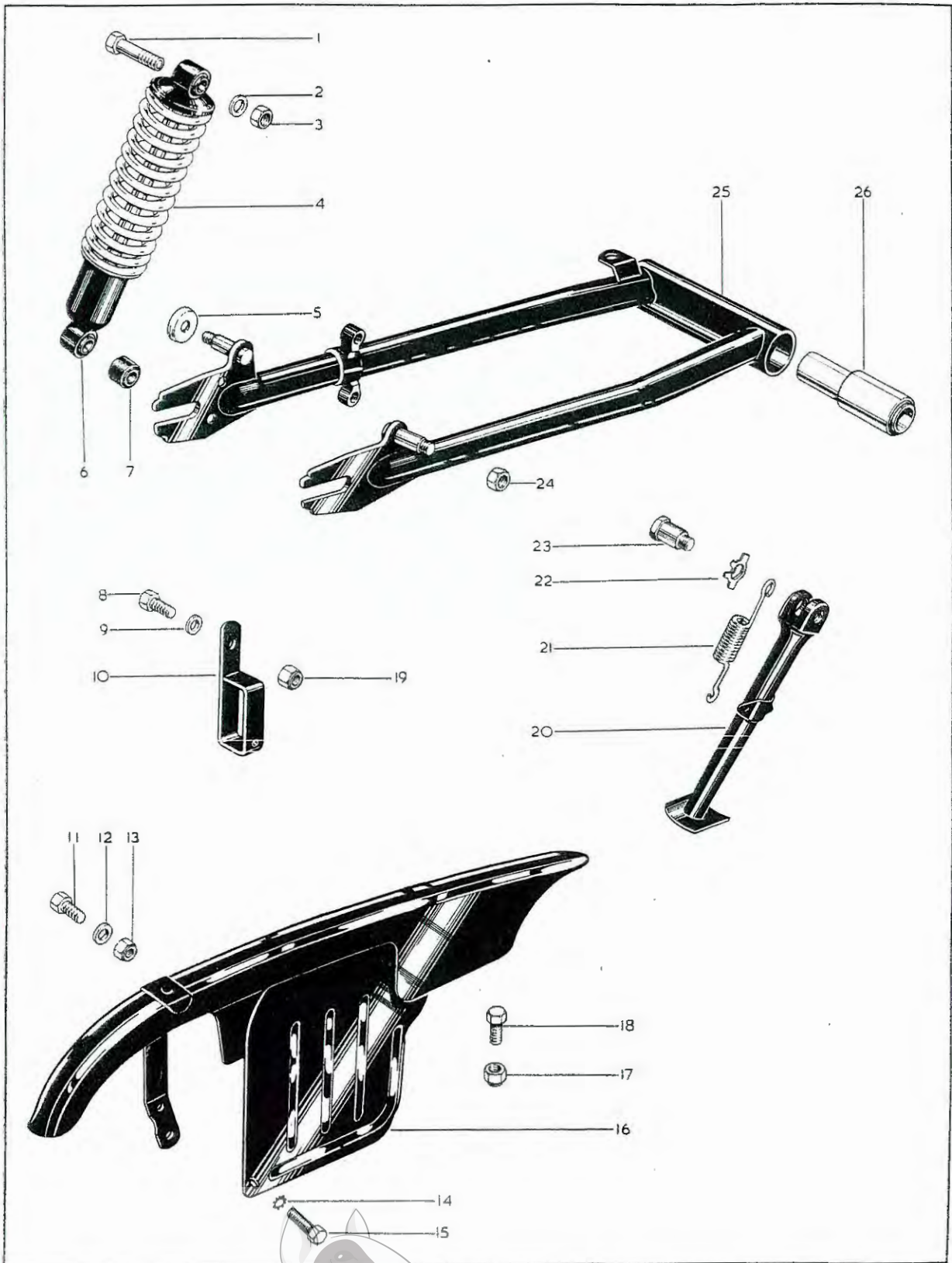
Plate 9

FRAME, BATTERY CARRIER, REAR BRAKE CONTROL

Code	Spares No.	Description	Per Set
1.	40-6030*	Bolt, brake pedal fulcrum ($\frac{3}{8}$ " B.S.C. \times $\frac{3}{4}$ "	
2.	3-111	Spring washer, for bolt line 1	
3.	30-196	Washer, brake pedal pivot	
4.	82-9958	Stop peg, brake pedal	
5.	47-7013	Brake pedal	
6.	41-7007	Brake fulcrum pin	
7.	47-7003	Bolt, brake pedal ($\frac{1}{4}$ " B.S.C.)	2
8.	28-2080	Grease nipple, brake pedal	
9.	2-1096	Washer, brake pedal ($\frac{1}{16}$ " \times $\frac{3}{8}$ " \times .044")	2
10.	29-541	Lockwasher, brake pedal	2
11.	2-1027	Nut, brake pedal ($\frac{1}{4}$ " B.S.C.)	2
12.	2-1967	Spring washer, fulcrum pin ($\frac{1}{16}$ " \times $\frac{7}{8}$ " \times $\frac{1}{16}$ "	
13.	2-1925	Nut, fulcrum pin ($\frac{1}{16}$ " B.S.C.)	
14.	66-4149	Steering head cup	2
15.	82-9214	Frame complete	
16.	40-948	Engine steady stay	
17.	42-4475	Nut, steady stay to frame and bracket ($\frac{3}{8}$ " B.S.C.)	2
18.	2-2138	Washer, steady stay to frame and bracket ($\frac{3}{8}$ " \times $\frac{3}{4}$ " \times $\frac{1}{16}$ "	2
19.	75-4813	Bolt, steady stay to frame and bracket ($\frac{3}{8}$ " B.S.C.)	2
20.	2-49	Nut, bracket to head ($\frac{5}{16}$ " B.S.C.)	2
21.	36-382	Lockwasher, bracket to head ($\frac{5}{16}$ "	2
22.	83-1460	Pivot pin, rear brake rod	
23.	41-175	Steady bracket	
24.	42-4475	Nut, front engine bolt ($\frac{3}{8}$ " B.S.C.)	
25.	40-4077*	Rear engine stud ($\frac{3}{8}$ " B.S.C./B.S.C. \times 2-9/16")	
26.	2-522	Spring washer, engine stud ($\frac{3}{8}$ " \times $\frac{3}{4}$ " \times .056")	2
27.	2-46	Nut, rear engine stud ($\frac{3}{8}$ " B.S.C.)	2
28.	19-1035	Side reflector (Lucas 57162A)	2
29.	42-4475	Nut, reflector mounting ($\frac{3}{8}$ " B.S.C.)	
30.	2-2138	Washer, reflector mounting ($\frac{3}{8}$ " \times $\frac{3}{4}$ " \times $\frac{1}{16}$ "	
31.	66-4705	Lockwasher, reflector mounting	
32.	75-4813	Bolt, reflector mounting ($\frac{3}{8}$ " B.S.C.)	
33.	40-4081*	Front engine bolt ($\frac{3}{8}$ " B.S.C. \times 3-13/16")	
34.	2-2138	Spacer, front and bottom engine bolts	2
35.	14-803	Nut, bottom engine bolt ($\frac{3}{8}$ " U.N.F.)	
36.	21-1934*	Bottom engine bolt ($\frac{3}{8}$ " U.N.F. \times 7-15/16")	
37.	42-4343	Nut, swinging arm spindle (13/16" B.S.C.)	
38.	42-4364	Lockwasher, spindle nut	
39.	65-8326	Bolt, battery carrier ($\frac{3}{8}$ " B.S.C. \times 3")	
40.	90-4294	Spacer, battery carrier	
41.	40-4524	Rubber, battery carrier	2
42.	42-4475	Nut, battery carrier ($\frac{3}{8}$ " B.S.C.)	
43.	30-733	Washer, battery carrier (.390" \times $\frac{7}{8}$ " \times $\frac{1}{16}$ "	3
44.	82-8285	Battery carrier	
45.	40-4530	Bolt, battery carrier ($\frac{5}{16}$ " B.S.C.)	2
46.	40-4524	Rubber, battery carrier	4
47.	82-9008	Washer, battery carrier	2
48.	42-4476	Nut, battery carrier ($\frac{5}{16}$ " B.S.C.)	2
49.	4-2608	Strap hook	
50.	68-4577	Battery strap	
51.	68-4597	Battery tray	
52.	47-4214	Swinging arm spindle assembly	
53.	41-7037	Brake rod	
54.	65-6274	Swivel pin, brake rod	
55.	90-7029	Brake rod adjuster	
56.	2-525	Washer, brake rod pivot pin	
57.	60-2683	Split pin, brake rod pivot	

*Special material: 1.—EN14B. 25.—EN15. 33.—EN14B. 36.—EN15R.

Note:—Code 9, No. 2-1096 Washer is now cancelled.

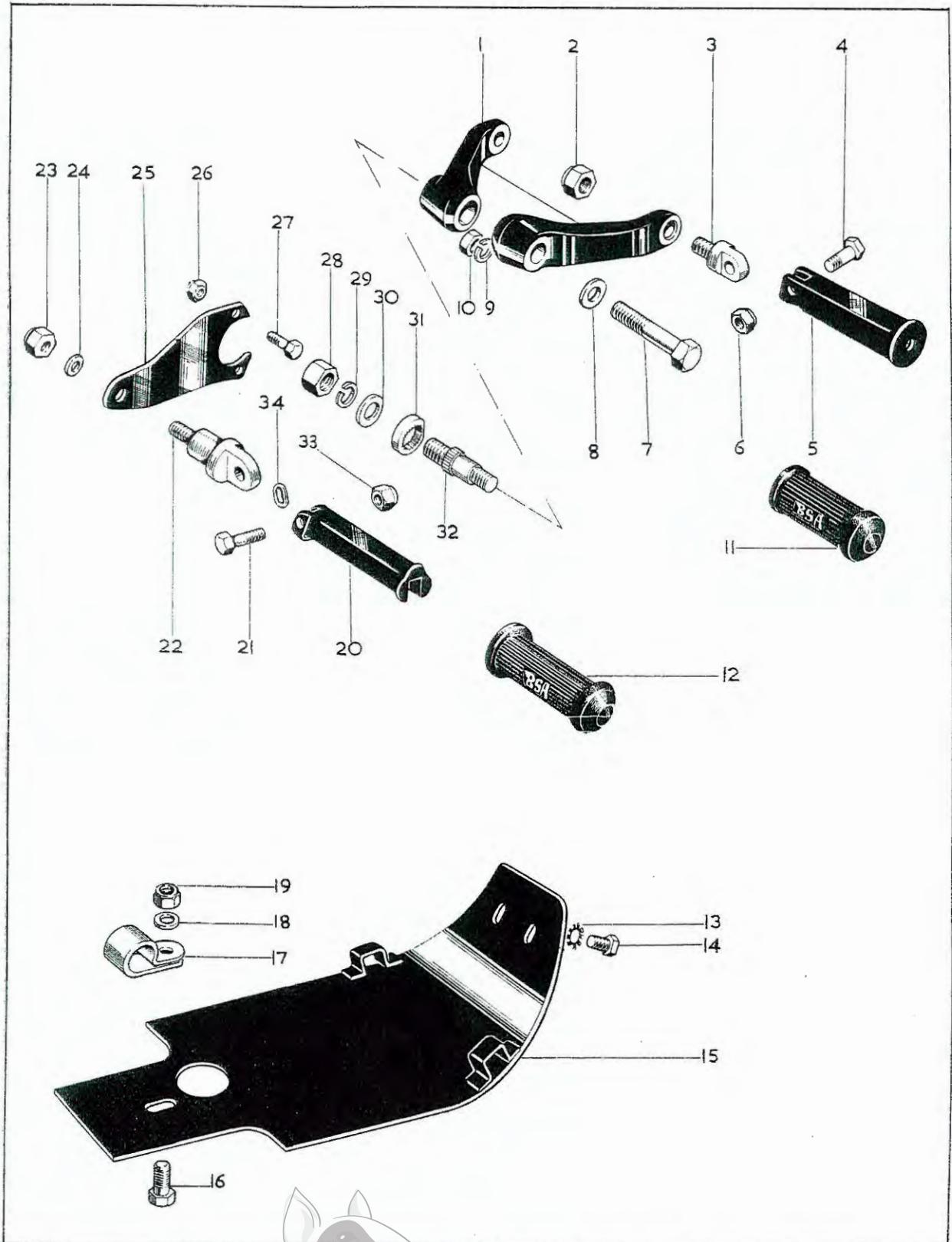


SWINGING ARM

Code	Spares No.	Description	Per Set
1.	40-6910*	Bolt, damper top ($\frac{3}{8}$ " B.S.C. \times $1\frac{7}{8}$ "	2
2.	2-1733	Washer, damper top ($\frac{3}{8}$ " \times $1\frac{3}{16}$ " \times $\frac{1}{16}$ "	2
3.	2-449	Nut, damper top ($\frac{3}{8}$ " B.S.C.)	2
4.	19-7441	Spring only, rear damper (Girling 64543708)	2
5.	82-8933	Dust cover, damper bottom	2
6.	19-7452	Rear damper complete (Girling 4644)	2
7.	19-5305	Damper bush, top (Girling 64533645)	2
7.	19-5307	Damper bush, bottom (Girling 64533654)	2
8.	67-1171*	Bolt, chain guide and anchor strap ($\frac{3}{8}$ " B.S.C. \times $1\frac{5}{16}$ "	
9.	2-861	Washer, chain guide and anchor strap ($\frac{3}{8}$ " \times $\frac{3}{4}$ " \times $3/32$ "	
10.	82-9953	Chain guide	
11.	14-113	Bolt, chain guard to swinging arm ($\frac{5}{16}$ " U.N.F. \times $\frac{5}{8}$ "	
12.	2-2138	Washer, chain guard to swinging arm ($\frac{3}{8}$ " \times $\frac{3}{4}$ " \times $\frac{1}{16}$ "	
13.	14-902	Nut, chain guard to swinging arm ($\frac{5}{16}$ " U.N.F.)	
14.	29-3319	Lockwasher, chain guard extension ($\frac{3}{16}$ "	
15.	40-246	Bolt, chain guard extension (2 B.A. \times $\frac{3}{16}$ "	
16.	82-9952	Chain guard	
17.	40-414	Nut, chain guard front to swinging arm ($\frac{1}{4}$ " B.S.C.)	
18.	2-220	Bolt, chain guard front to swinging arm ($\frac{1}{4}$ " B.S.C. \times $\frac{3}{8}$ "	
19.	41-4105	Nut, chain guide and anchor strap ($\frac{3}{8}$ " B.S.C.)	
20.	40-4752	Prop stand leg assembly	
21.	40-4735	Prop stand spring	
22.	40-4734	Lockwasher, prop stand bolt	
23.	40-4733*	Pivot bolt, prop stand ($\frac{3}{8}$ " B.S.C. \times $1-9/32$ "	
24.	14-903	Nut, damper bottom ($\frac{3}{8}$ " U.N.F.)	2
25.	82-9210	Swinging arm complete	
26.	40-4241	Silentbloc, swinging arm	2

*Special material: 1.—EN15. 8.—EN15. 23.—EN32B.





FOOTRESTS, ENGINE SHIELD

Code	Spares No.	Description	Per Set
1.	82-8448	Footrest bracket	2
2.	41-4105	Nut, anchor bolt to bracket ($\frac{3}{8}$ " B.S.C.)	2
3.	65-4917	Footrest anchor bolt ($\frac{3}{8}$ " B.S.C.)	2
4.	29-5293	Footrest pivot bolt ($\frac{5}{16}$ " B.S.C. \times $1\frac{1}{4}$ ")	2
5.	42-4926	Folding footrest	2
6.	42-4476	Nut, pivot bolt ($\frac{5}{16}$ " B.S.C.)	2
7.	68-4081*	Bolt, right-hand footrest bracket ($\frac{3}{8}$ " B.S.C. \times $2-15/16$ ")	
8.	27-5676	Washer, right-hand bracket	
9.	2-522	Spring washer, right-hand bracket ($.390$ " \times $\frac{3}{4}$ " \times $.056$ ")	
10.	2-46	Nut, for bolt line 7 ($\frac{3}{8}$ " B.S.C.)	
11.	82-9608	Rubber, folding footrest	2
12.	82-9603	Rubber, pillion footrest	2
13.	36-382	Lockwasher, for bolt line 14 ($\frac{5}{16}$ ")	2
14.	14-113	Bolt, engine shield front ($\frac{5}{16}$ " U.N.F. \times $\frac{5}{8}$ ")	2
15.	82-8819	Engine shield	
16.	28-2338	Bolt, engine shield clip ($\frac{5}{16}$ " B.S.C. \times $23/32$ ")	
17.	47-9010	Clip, engine shield rear	
18.	2-923	Washer, for nut line 19 ($\frac{1}{16}$ " \times $\frac{5}{8}$ " \times $\frac{1}{16}$ ")	
19.	75-6594	Nut, engine shield clip bolt ($\frac{7}{16}$ " B.S.C.)	
20.	68-4835	Pillion footrest	2
21.	29-5293	Pivot bolt, pillion footrest ($\frac{5}{16}$ " B.S.C. \times $1\frac{1}{4}$ ")	2
22.	40-4820	Anchor bolt, left-hand ($\frac{3}{8}$ " B.S.C.)	
22.	65-4917	Anchor bolt, right-hand ($\frac{3}{8}$ " B.S.C.)	
23.	41-4105	Nut, anchor bolt ($\frac{3}{8}$ " B.S.C.)	2
24.	2-2138	Washer, anchor bolt ($\frac{3}{8}$ " \times $\frac{3}{4}$ " \times $\frac{1}{16}$ ")	2
25.	41-4835	Bracket, right-hand pillion footrest	
26.	14-702	Nut, footrest bracket ($\frac{5}{16}$ " U.N.F.)	4
27.	14-116	Bolt, footrest bracket ($\frac{5}{16}$ " U.N.F. \times 1 ")	3
28.	40-4810	Nut, footrest stud, left-hand ($\frac{7}{16}$ " B.S.C. left-hand)	
29.	2-1967	Spring washer, footrest stud ($\frac{7}{16}$ " \times $\frac{7}{8}$ " \times $\frac{1}{16}$ ")	
30.	2-1945	Washer, footrest stud ($\frac{7}{16}$ " \times $\frac{7}{8}$ " \times $\frac{1}{16}$ ")	
31.	40-4818	Lock plate, footrest stud	
32.	40-4855*	Footrest stud, left-hand ($\frac{7}{16}$ " B.S.C. left-hand \times $\frac{3}{8}$ " B.S.C. left-hand \times 2 ")	
33.	42-4476	Nut, pivot bolt ($\frac{5}{16}$ " B.S.C.)	2
34.	4-2276	End washer, pillion footrest	2

*Special material: 7.—EN15. 32.—EN14B.



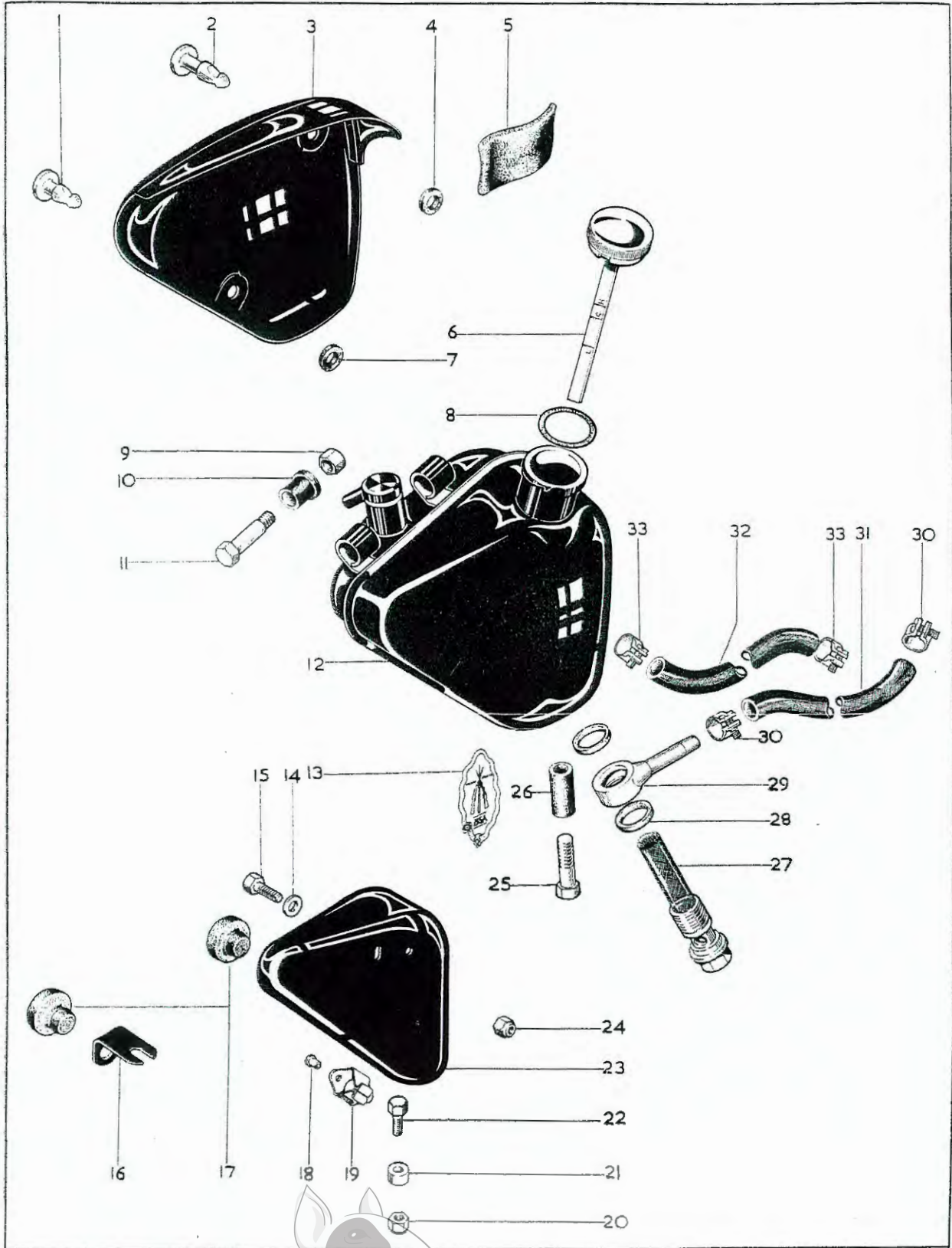
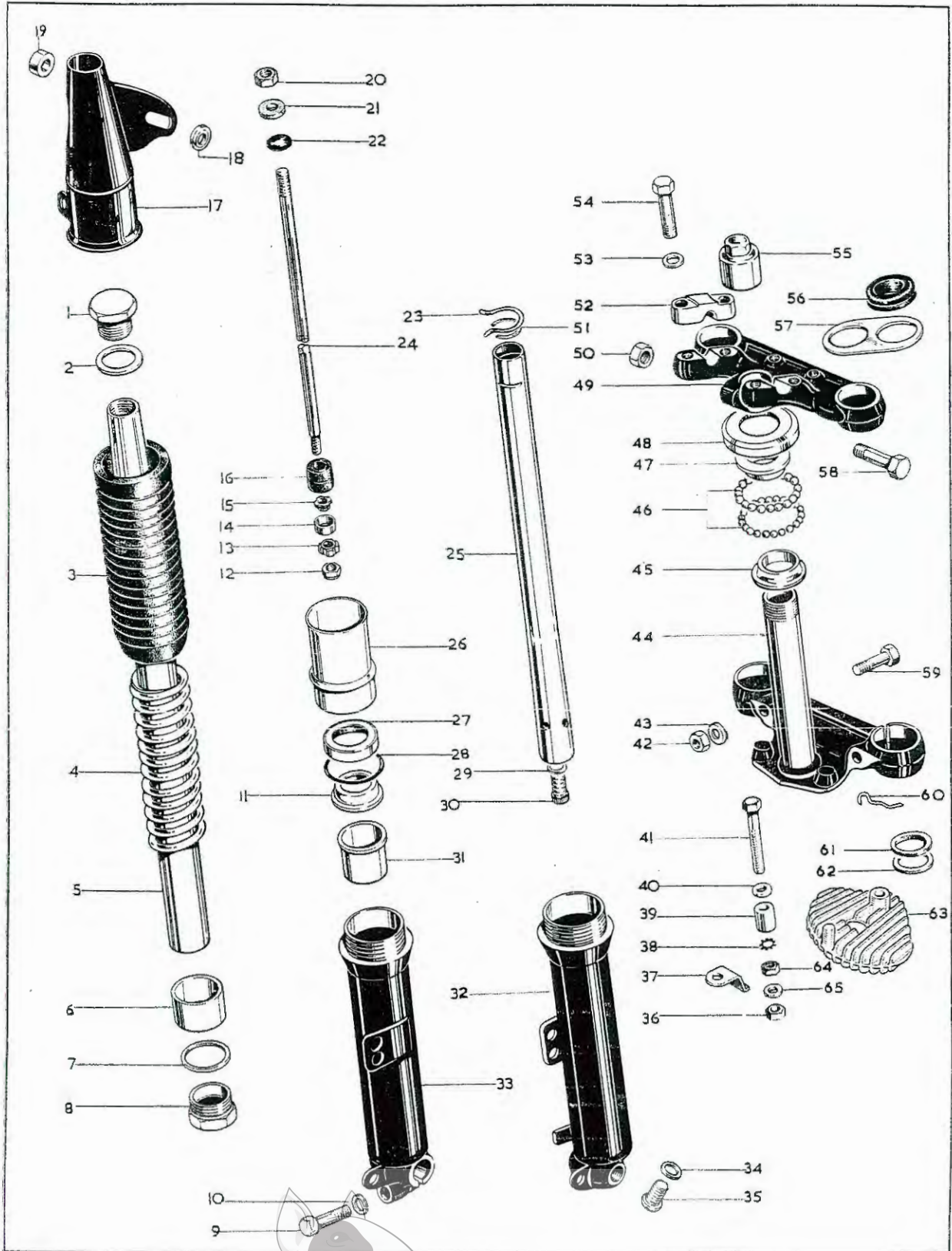


Plate 12

OIL TANK, SIDECOVER, TOOL TRAY

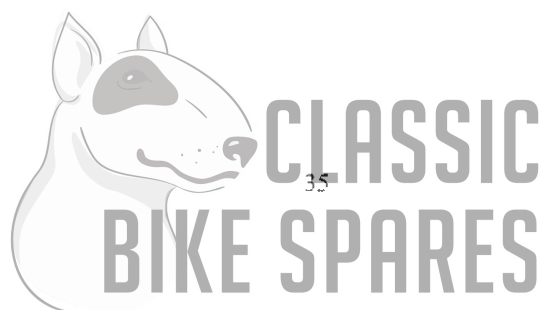
Code	Spares No.	Description	Per Set
1.	68-9223	"Oddie" stud (short)	
2.	68-9287	"Oddie" stud (long)	
3.	82-8614	Sidecover, left-hand	
4.	68-9227	Rubber washer, "Oddie" stud	
5.	40-9188	Rubber pad, sidecover to frame	
6.	68-8368	Filler cap/dipstick	
7.	68-9226	Rubber washer, "Oddie" stud	3
8.	67-42	Washer, filler cap	
9.	42-3249	Nut, oil tank bolt line 11 ($\frac{1}{4}$ " B.S.C.)	2
10.	82-8436	Rubber bush, tank mounting	2
11.	40-8435	Bolt, tank mounting ($\frac{1}{4}$ " B.S.C. \times $1\frac{3}{4}$ ")	2
12.	82-8625	Oil tank with fixed fittings	
13.	65-9270	Tank transfer	
14.	2-525	Washer, tool tray bolt ($\frac{1}{4}$ " \times $\frac{1}{2}$ " \times .048")	
15.	2-220	Bolt, tool tray ($\frac{1}{4}$ " B.S.C. \times $\frac{3}{8}$ ")	
16.	40-9187	Bracket, sidecover pad	
17.	40-8046	Rubber pad, sidecover	2
18.	68-9337	Rivet, "Oddie" clip	2
19.	68-9115	"Oddie" clip, sidecover	
20.	40-414	Nut, tool tray to frame ($\frac{1}{4}$ " B.S.C.)	
21.	15-7563	Spacer, tool tray	
22.	2-1354	Bolt, tool tray to frame ($\frac{1}{4}$ " B.S.C. \times $4\frac{1}{64}$ ")	
23.	40-9172	Tool tray	
24.	40-414	Nut, for bolt line 15 ($\frac{1}{4}$ " B.S.C.)	
25.	21-771	Bolt, oil tank lower mounting ($\frac{5}{16}$ " U.N.F. \times $1\frac{3}{4}$ ")	
26.	40-8401	Rubber sleeve, oil tank	
27.	29-7962	Oil tank filter	
28.	29-7971	Fibre washer, banjo union	2
29.	82-8874	Banjo union, oil feed	
30.	68-8382	Clip, oil feed pipe	2
31.	68-8383	Oil feed pipe	
32.	40-8382	Oil return pipe	
33.	68-8343	Clip, oil return pipe	2
	60-2041	Sidecover transfer (not illustrated)	

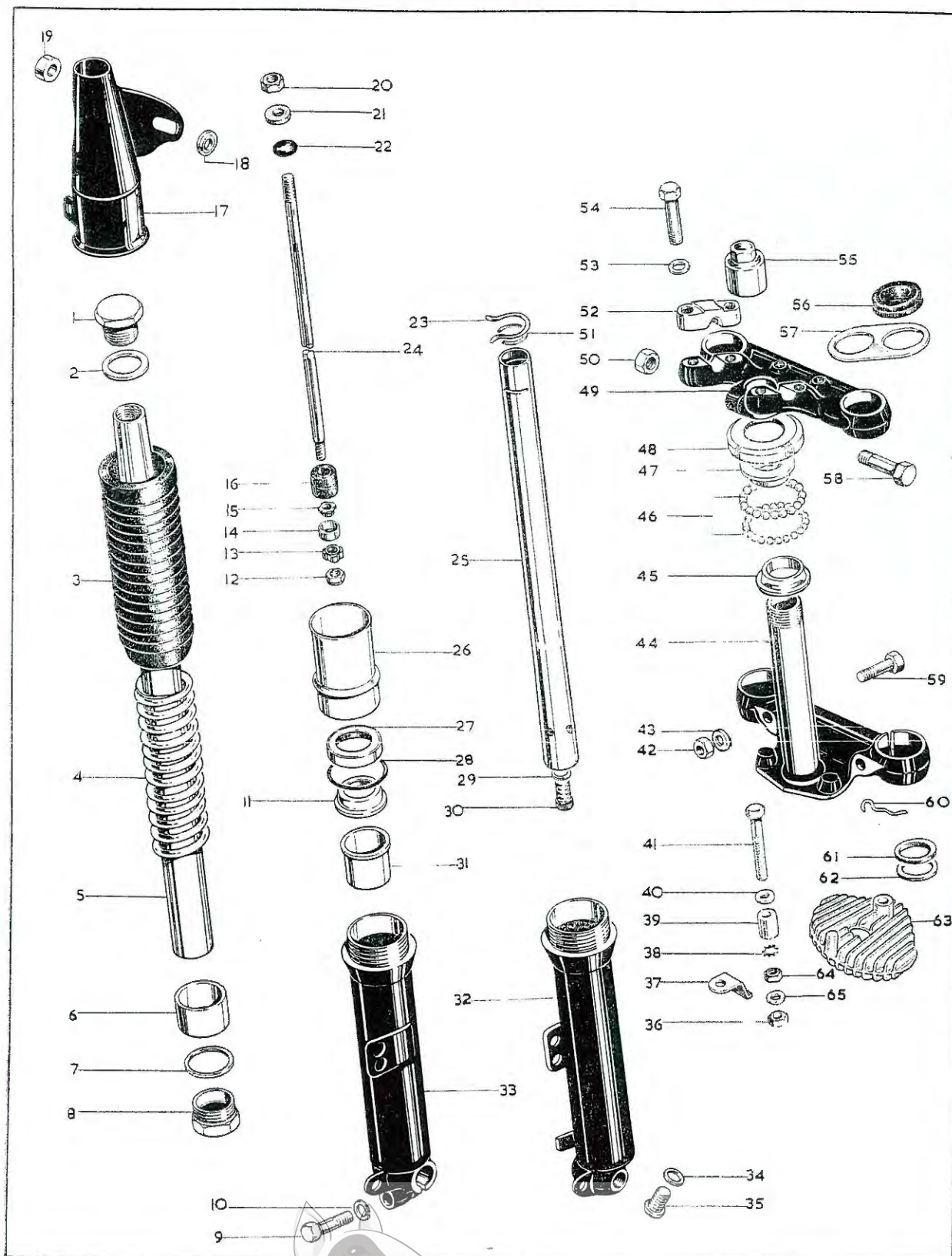




FRONT FORKS

Code	Spares No.	Description	Per Set
1.	41-5146	Top cap nut	2
2.	65-5332	Washer, top cap nut	2
3.	97-2513	Fork bellows	2
4.	89-3036	Fork spring	2
5.	68-5144	Fork shaft	2
6.	29-5347	Fork lower bush	2
7.	29-5338	Washer for shaft plug	2
8.	97-2709	Fork shaft plug	2
9.	65-5295	Pinch bolt, lower member ($\frac{3}{8}$ " B.S.C. \times $1\frac{3}{8}$ ")	
10.	2-2903	Spring washer, for bolt line 9 ($1\frac{3}{32}$ " \times $9/16$ " \times $\frac{1}{16}$ ")	
11.	68-5134	Spacer, top bearing	2
12.	40-414	Nut, damper rod ($\frac{1}{4}$ " B.S.C.)	2
13.	41-5134	Damper valve seat	2
14.	41-5139	Damper valve	2
15.	41-5140	Damper valve collar	2
16.	41-5144	Damper tube bush	2
17.	97-3693	Fork cover (left-hand)	
17.	97-3694	Fork cover (right-hand)	
18.	68-5104	Washer, headlamp mounting	2
19.	97-1932	Spacer, headlamp mounting (first sets only)	2
19.	68-5108	Spacer, headlamp mounting (after first sets)	2
20.	2-49	Nut, damper rod ($\frac{5}{16}$ " B.S.C.)	2
21.	68-5170	Oil seal	2
22.	68-5171	Oil seal retainer	2
23.	41-5135	Outer circlip, damper tube	2
24.	68-5143	Damper rod	2
25.	41-5124	Damper tube	2
26.	97-2514	Oil seal holder	2
27.	65-5451	Fork oil seal	2
28.	97-2682	"O" ring, oil seal holder	2
29.	41-5145	Washer, damper tube bolt (alloy $\frac{7}{16}$ " \times $21/64$ " \times $1/32$ ")	2
30.	97-2688	Damper tube bolt ($\frac{5}{16}$ " B.S.F. \times $\frac{3}{4}$ ")	2
31.	65-5424	Fork top bush	2
32.	97-2564	Sliding tube (right-hand)	
33.	68-5146	Sliding tube (left-hand)	



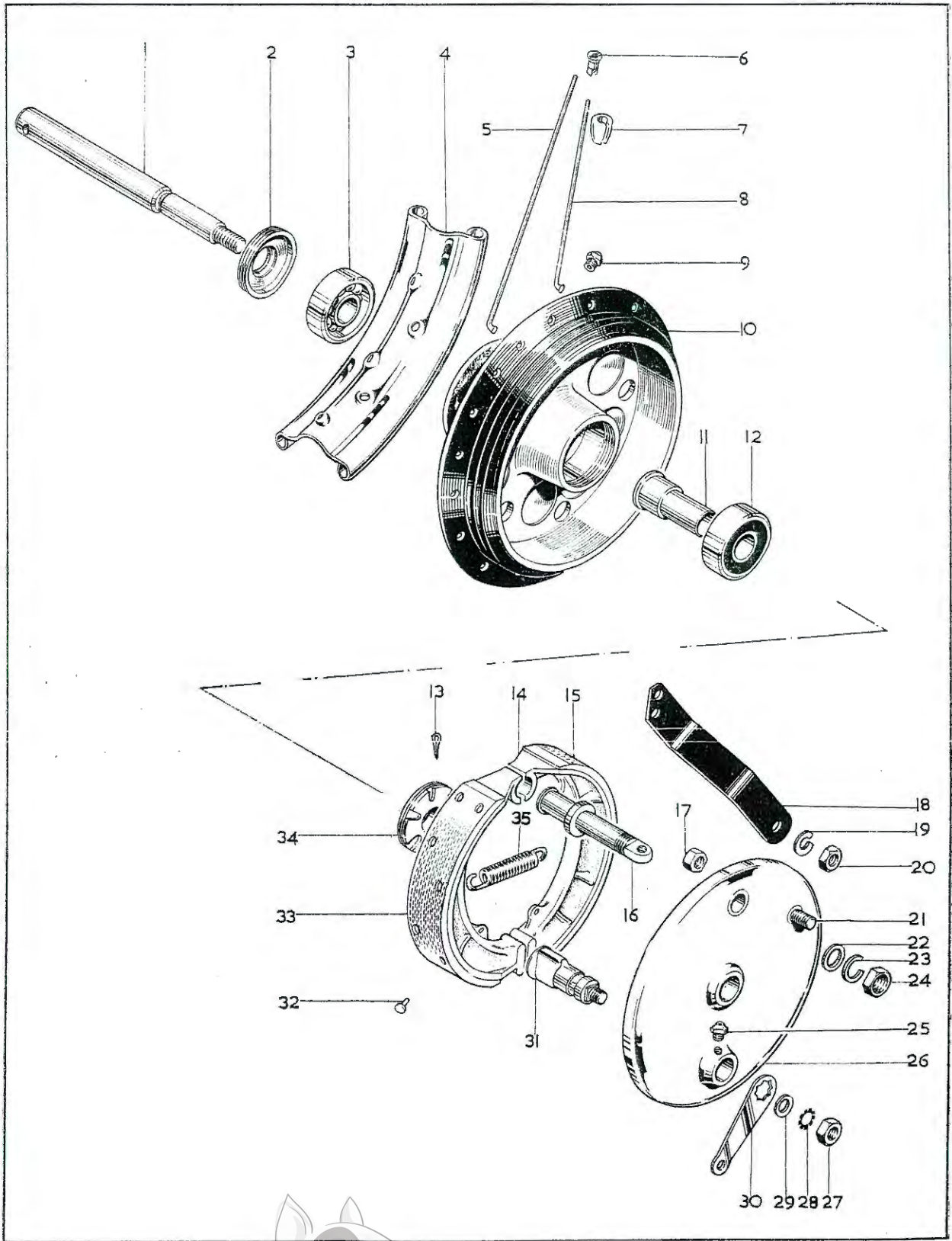


FRONT FORKS

Code	Spares No.	Description	Per Set
34.	41-5141	Fork drain plug	2
35.	68-5197	Washer, drain plug	2
36.	75-3144	Nut, heat sink bolt ($\frac{5}{16}$ " B.S.C.)	
37.	68-9429	Diode retaining clip	
38.	36-382	Lockwasher, heat sink	
39.	29-9388	Spacer, heat sink	
40.	2-923	Washer, heat sink	
41.	40-9134	Bolt, heat sink ($\frac{5}{16}$ " B.S.C. \times 3")	
42.	14-303	Nut, for bolt line 59 ($\frac{3}{8}$ " U.N.F.)	2
43.	2-2138	Washer, pinch bolt nut	2
44.	97-2526	Fork bottom yoke	
45.	40-5144	Steering bottom cone	
46.	97-2704	Steel ball, steering head	40
47.	40-5143	Steering top cone	
48.	40-5145	Top cone dust cover	
49.	97-2525	Fork top yoke	
50.	64-6016	Nut, for bolt line 58 ($\frac{3}{8}$ " B.S.C.)	
51.	41-5143	Inner circlip, damper tube	2
52.	65-5333	Handlebar clip	2
53.	15-5155	Washer, for bolt line 54 ($21/64$ " \times $1/2$ " \times .048")	4
54.	68-5056	Bolt, handlebar clip ($\frac{5}{16}$ " B.S.C. \times $1\frac{1}{8}$ ")	4
55.	40-5018	Steering head cap nut	
56.	76-9325	Grommet, guide bracket	2
57.	68-5137	Cable guide bracket	2
58.	27 5135	Pinch bolt, top yoke ($\frac{3}{8}$ " B.S.C.) ¹	
59.	21-785*	Pinch bolt, bottom yoke ($\frac{3}{8}$ " U.N.F. \times $2\frac{7}{16}$ ")	2
60.	40-5090	Cable guide clip	
61.	47-5065	Oil seal	2
62.	47-5064	Oil seal retainer	4
63.	68-9428	Heat sink	
64.	2-49	Nut, heat sink bolt ($\frac{5}{16}$ " B.S.C.)	
65.	2-923	Washer, heat sink ($\frac{5}{16}$ " \times $5/8$ " \times $1/16$ ")	
	97-2565	Front fork complete	

*Special material: 59.—EN15.

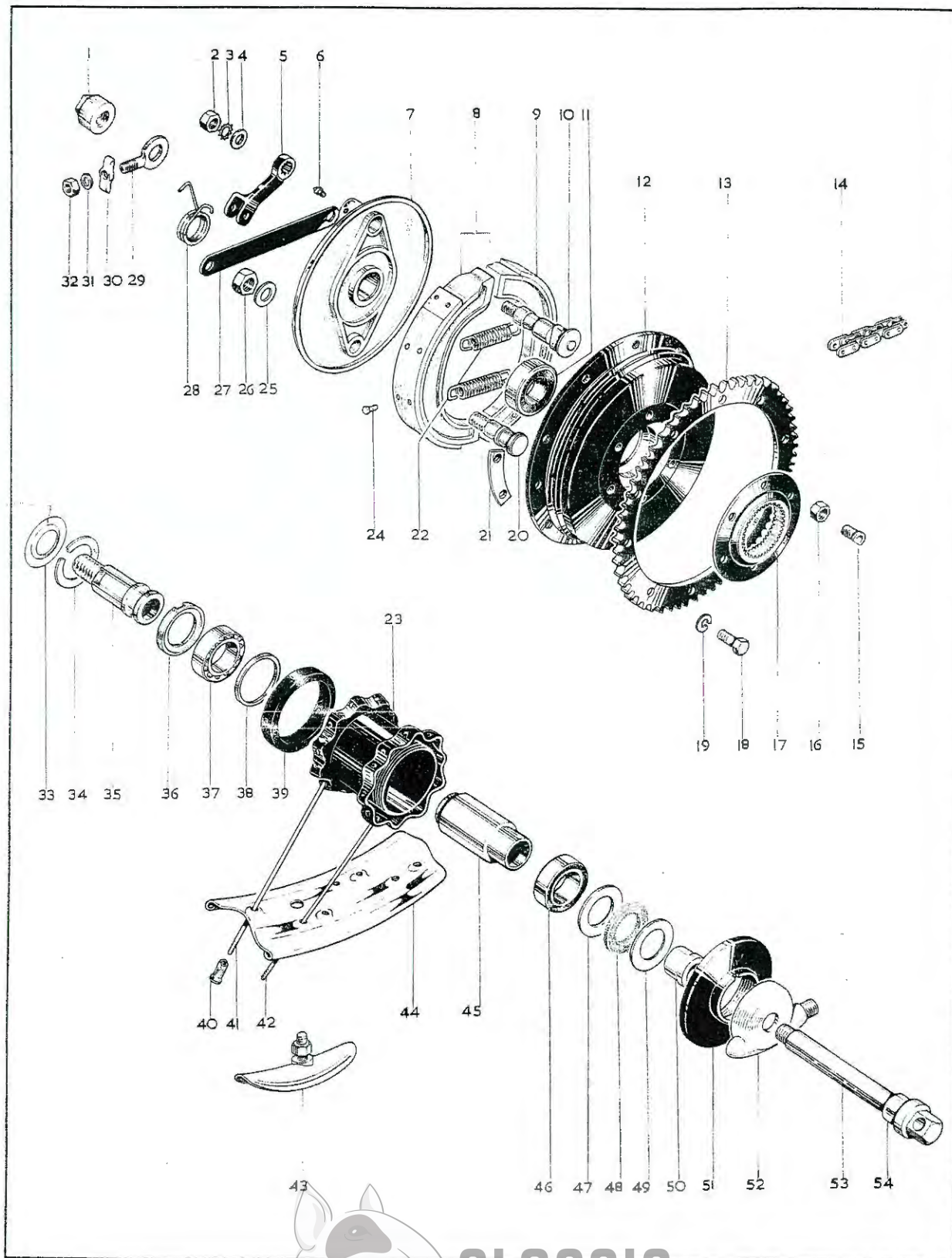




FRONT WHEEL

Code	Spares No.	Description	Per Set
1.	67-5566	Wheel spindle	
2.	68-5551	Bearing retainer (left-hand)	
3.	41-6016	Bearing (Hoffman LS9RS)	
4.	68-5556	Wheel rim (WM2-19)	
5.	67-5545	Spoke (long)	20
6.	27-6810	Spoke nipple	40
7.	42-5873	Balance weight (3/4")	as reqd.
7.	42-5875	Balance weight (1")	as reqd.
8.	67-5544	Spoke (short)	20
9.	28-2080	Hub grease nipple	
10.	68-5535	Hub with spindle and bearings	
11.	67-5565	Spindle sleeve	
12.	41-6016	Bearing (Hoffman LS.9RS)	
13.	60-2683	Split pin, bearing retainer (1/16" x 3/8")	2
14.	68-5541	Leading brake shoe	
15.	19-7732	Brake lining	2
16.	67-5576	Fulcrum pin	
17.	24-5860	Nut, anchor strap stud (7/16" B.S.C.)	
18.	42-5520	Anchor strap	
19.	15-716	Spring washer, anchor strap (29/64" x 15/16" x 1/16")	
20.	15-541	Nut, anchor strap (7/16" B.S.C.)	
21.	67-5577	Stud, anchor strap (7/16" B.S.C.)	
22.	25-6014	Washer, fulcrum pin	
23.	35-37	Spring washer, fulcrum pin	
24.	42-5883	Nut, fulcrum pin (5/8" B.S.C.)	
25.	28-2080	Grease nipple, cam spindle	
26.	67-5555	Brake anchor plate	
27.	2-440	Nut, brake lever (7/16" B.S.C.)	
28.	66-4708	Lockwasher, brake lever (7/16")	
29.	15-431	Washer, brake lever (7/16" x 3/4" x 1/16")	
30.	65-5907	Brake lever	
31.	37-2243	Cam spindle	
32.	67-5575	Rivet, brake lining	14
33.	68-5543	Trailing brake shoe	
34.	68-5552	Bearing retainer (right-hand)	
35.	65-5904	Spring, brake shoe	2
	68-5554	Wheel with spindle and bearings	

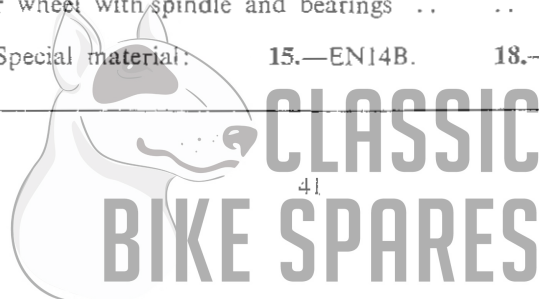


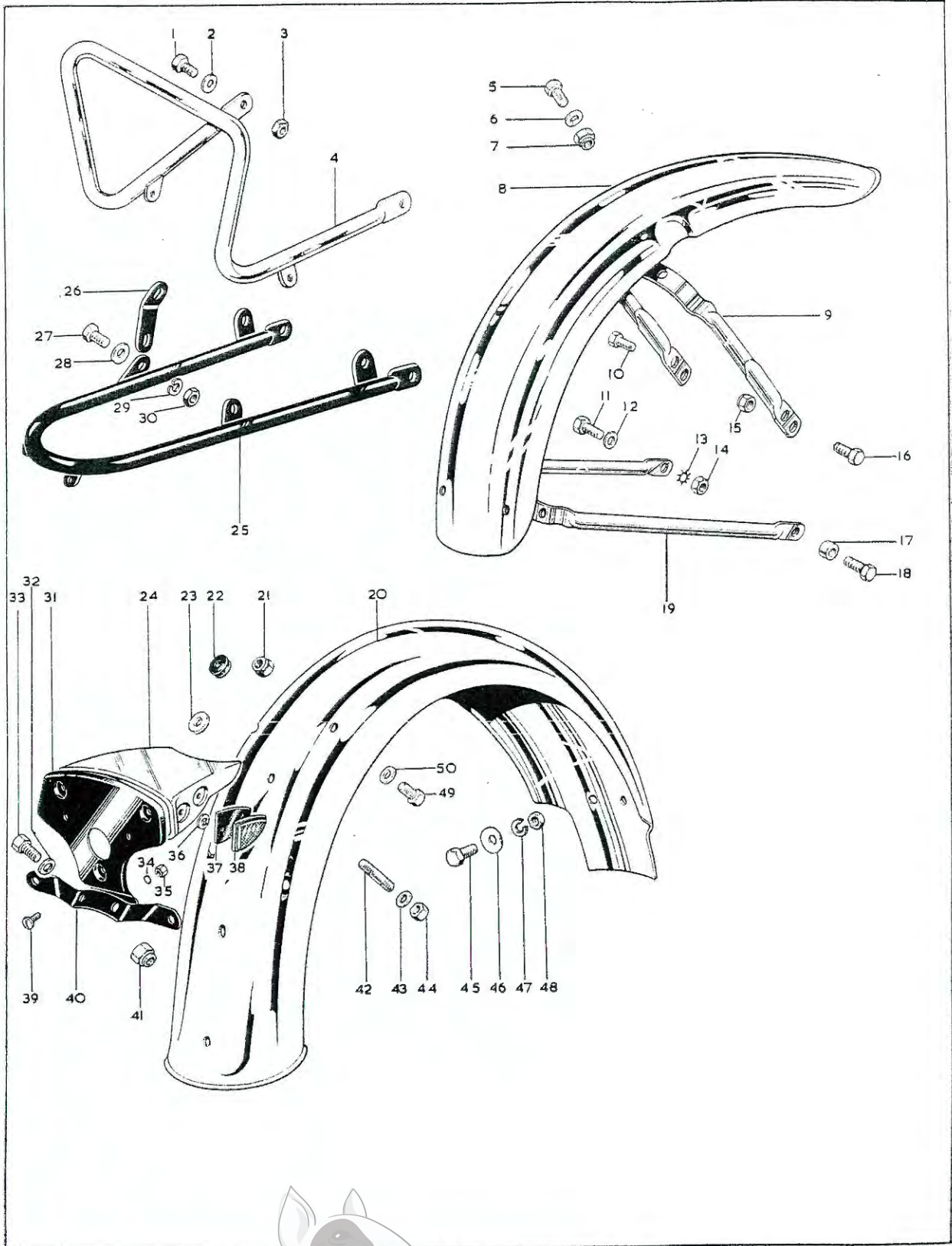


REAR WHEEL

Code	Spares No.	Description	Per Set
1.	68-6066	Spindle nut (left-hand)	
2.	2-440	Nut, brake lever ($\frac{7}{16}$ " B.S.C.)	
3.	66-4708	Lockwasher, brake lever	
4.	15-431	Washer, brake lever ($\frac{7}{16}$ " \times $\frac{3}{4}$ " \times $\frac{1}{16}$ ")	
5.	42-6045	Brake lever	
6.	28-2080	Grease nipple, cam spindle	
7.	41-6093	Brake anchor plate	
8.	65-5940	Brake shoe complete	2
9.	19-7717	Brake lining	2
10.	37-2226	Cam spindle	
11.	65-5883	Bearing (Hoffman LS.9)	
12.	41-6090	Brake drum	
13.	41-6091	Rear chainwheel (49 teeth)	
14.	19-8687	Rear chain ($\frac{5}{8}$ " \times $\frac{1}{4}$ " \times 100 pitch)	
15.	67-6038*	Bolt, flange to drum ($\frac{3}{8}$ " B.S.C.)	6
16.	2-452	Nut, flange to drum ($\frac{3}{8}$ " B.S.C.)	6
17.	42-6019	Driving flange	
18.	68-6095*	Bolt, chainwheel to drum ($\frac{5}{16}$ " U.N.F. \times 13/32")	10
19.	24-8784	Spring washer, for bolt line 18 ($\frac{5}{16}$ " \times $\frac{5}{8}$ " \times .040")	10
20.	68-6133	Fulcrum pin	
21.	68-6135	Lockplate, for bolt line 15	3
22.	65-5904	Return spring, brake shoe	2
23.	41-6022	Hub with spindle and bearings	
24.	35-6436	Rivet for brake linings	14
25.	65-5111	Spring washer, fulcrum pin ($\frac{1}{2}$ ")	
26.	24-7000	Nut, fulcrum pin ($\frac{1}{2}$ " B.S.C.)	
27.	41-6094	Anchor strap	
28.	68-6134	Return spring, brake lever	
29.	40-6033	Wheel adjuster	2
30.	40-6040	Wheel adjuster cap	2
31.	2-923	Washer, wheel adjuster ($\frac{7}{16}$ " \times $\frac{5}{8}$ " \times $\frac{1}{16}$ ")	2
32.	42-4476	Nut, wheel adjuster ($\frac{5}{16}$ " B.S.C.)	2
33.	67-6033	Bearing shim	
34.	67-6034	Bearing circlip	
35.	41-6032	Fixed spindle	
36.	68-6081	Bearing retainer	
37.	41-6016	Bearing (Hoffman LS.9RS)	
38.	65-5884	Thrust ring, bearing	
39.	67-6051	Rubber seal	
40.	27-6810	Spoke nipple	40
41.	42-6011	Spoke (left-hand)	20
42.	42-6012	Spoke (right-hand)	20
43.	68-9575	Security bolt	2
44.	42-6371	Wheel rim (WM3-18)	
45.	67-6027	Spindle sleeve	
46.	41-6016	Bearing (Hoffman LS.9RS)	
47.	65-5887	Retainer (inner)	
48.	65-5886	Felt washer	
49.	41-6021	Retainer (outer)	
50.	41-6019	Inner spacer (right-hand)	
51.	68-6142	End cover	
52.	19-9217	Speedometer gearbox (1.25 to 1)	
53.	41-6098	Wheel spindle	
54.	41-6082	Outer spacer (right-hand)	
	41-6009	Rear wheel with spindle and bearings	

*Special material: 15.—EN14B. 18.—EN14B.





MUDGUARDS

Code	Spares No.	Description	Per Set
1.	28-2338	Bolt, handrail to support rail ($\frac{5}{16}$ " B.S.C. \times 23/32")	2
2.	2-923	Washer, handrail to support rail ($\frac{5}{16}$ " \times $\frac{5}{8}$ " \times $\frac{1}{16}$ ")	2
3.	75-6594	Nut, handrail to support rail ($\frac{5}{16}$ " B.S.C.)	2
4.	41-9152	Handrail	
5.	2-204	Bolt, stay to mudguard ($\frac{1}{4}$ " B.S.C. \times $\frac{1}{2}$ ")	4
6.	27-8560	Washer, stay to mudguard ($\frac{1}{4}$ " \times $\frac{5}{8}$ " \times .048")	4
7.	40-414	Nut, stay to mudguard ($\frac{1}{4}$ " B.S.C.)	4
8.	41-6533	Front mudguard	
9.	82-8394	Centre stay, front mudguard	
10.	3-1156	Bolt, stay to fork leg, left-hand ($\frac{5}{16}$ " B.S.C. \times $\frac{7}{8}$ ")	2
11.	15-7354	Bolt, stay to fork end, left-hand ($\frac{5}{16}$ " B.S.C. \times $\frac{5}{8}$ ")	
12.	2-923	Washer, stay to fork end ($\frac{5}{16}$ " \times $\frac{5}{8}$ " \times $\frac{1}{16}$ ")	2
13.	36-382	Lockwasher, stay to fork end ($\frac{5}{16}$ ")	2
14.	2-1616	Nut, stay to fork end ($\frac{5}{16}$ " B.S.C.)	2
15.	75-3144	Nut, stay to fork leg ($\frac{5}{16}$ " B.S.C.)	4
16.	64-6054*	Bolt, stay to fork leg, right-hand ($\frac{5}{16}$ " B.S.C. \times 1-7/64")	2
17.	2-370	Spacer, stay to fork end	
18.	40-6022	Bolt, stay to fork end, right-hand ($\frac{5}{16}$ " B.S.C. \times $\frac{7}{8}$ ")	
19.	40-6570	Bottom stay, front mudguard	
20.	82-8367	Rear mudguard — first sets only	
20.	82-9989	Rear mudguard — after first sets	
21.	42-4476	Nut, guard to support rail ($\frac{5}{16}$ " B.S.C.)	2
22.	67-6839	Wiring grommet	2
23.	76-101	Spacer, tail lamp support — first sets only	
23.	76-100	Spacer, tail lamp support — after first sets	
24.	83-254	Tail lamp support complete — first sets only	
24.	83-270	Tail lamp support complete — after first sets	
25.	41-6782	Support rail	
26.	68-6802	Bracket, support rail to guard	2
27.	27-6742	Bolt, bracket to support rail ($\frac{5}{16}$ " B.S.C. \times 37/64")	2
28.	2-923	Washer, bracket to support rail ($\frac{5}{16}$ " \times $\frac{5}{8}$ " \times $\frac{1}{16}$ ")	2
29.	24-8784	Spring washer, bracket to support rail ($\frac{5}{16}$ " \times $\frac{5}{8}$ " \times .040")	2
30.	2-49	Nut, bracket to support rail ($\frac{5}{16}$ " B.S.C.)	2
31.	68-6835	Tail lamp support plate	
32.	27-8560	Washer, for bolt line 33 ($\frac{1}{4}$ " \times $\frac{5}{8}$ " \times .048")	2
33.	2-204	Bolt, number plate bracket ($\frac{1}{4}$ " B.S.C. \times $\frac{1}{2}$ ")	2
34.	54-170	Lockwasher, support plate bottom screw — after first sets	
35.	21-5161	Nut, support plate bottom screw (2 B.A.) — after first sets	
36.	82-8195	Push-fix, rear reflector	4
37.	82-8140	Rubber pad, rear reflector	2
38.	19-943	Rear reflector (Lucas 57111)	2
39.	54-9003	Screw, support plate to support (2 B.A. \times $\frac{5}{16}$ ") — first sets only	3
39.	54-9012	Screw, support plate to support (2 B.A. \times 13/32") — after first sets	3
40.	47-6806	Number plate bracket	2
41.	40-414	Nut, for bolt line 33 ($\frac{1}{4}$ " B.S.C.)	2
42.	31-222	Stud, tail lamp support ($\frac{1}{4}$ " B.S.C./WHIT.) — first sets only	
42.	70-2980	Stud, tail lamp support — after first sets	
43.	68-6832	Washer, tail lamp support — first sets only	
43.	54-9081	Washer, tail lamp support — after first sets	
44.	42-3249	Nut, tail lamp support stud ($\frac{1}{4}$ " B.S.C.)	
45.	2-204	Bolt, mudguard to frame ($\frac{1}{4}$ " B.S.C. \times $\frac{1}{2}$ ")	2
46.	40-6790	Washer, mudguard to frame	2
47.	2-1462	Spring washer, mudguard to frame ($\frac{1}{4}$ " \times 19/32" \times .040")	2
48.	2-2395	Nut, mudguard to frame ($\frac{1}{4}$ " B.S.C.)	2
49.	28-2338	Bolt, mudguard to top frame ($\frac{5}{16}$ " B.S.C. \times 23/32")	2
50.	2-923	Washer, mudguard to top frame ($\frac{5}{16}$ " \times $\frac{5}{8}$ " \times $\frac{1}{16}$ ")	2

*Special material: 16.—EN15.

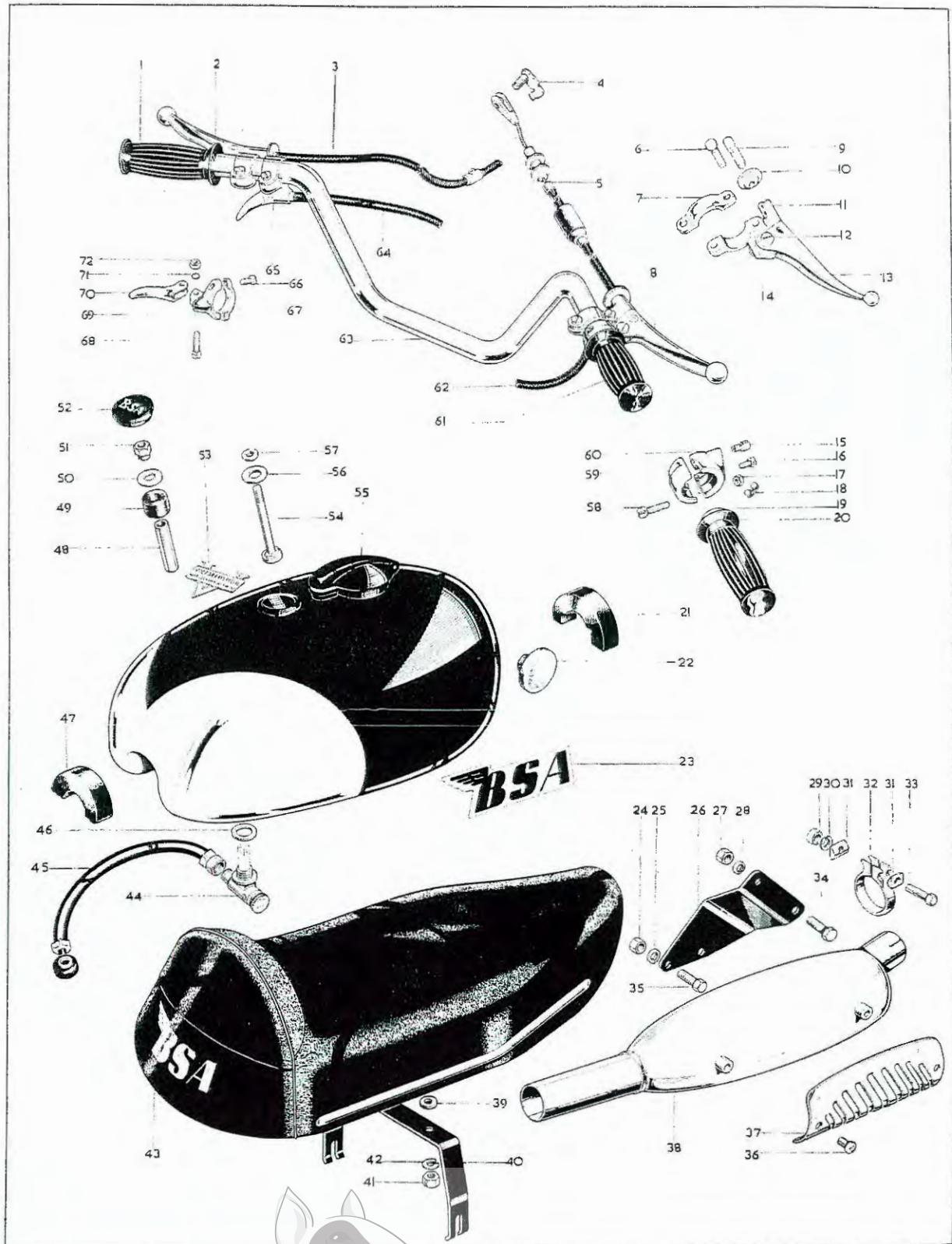
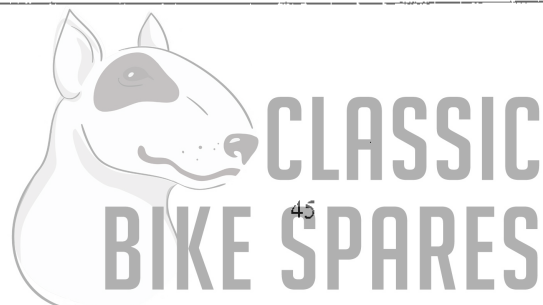


Plate 17

PETROL TANK, TWINSEAT, HANDLEBAR AND CONTROLS

Code	Spares No.		Description	Per Set
	B.S.A. NO.	MAKERS NO.		
1.	19-7221		Rubber grip (left-hand)	
2.	60-2074	18/952	Clutch control complete	
3.	60-2083		Clutch control cable	
4.	37-2006		Spring pin for brake cable	
5.	60-2119		Front brake cable complete with stop switch — after first sets	
5.	60-883		Front brake cable — first sets only	
6.		11/014	Clamp screw, brake and clutch controls	4
7.		12/595	Clamp, brake and clutch controls	2
8.	60-2090	18/951M	Brake control complete	
9.		18/1708	Cable adjuster, brake and clutch	2
10.		18/1709	Adjuster nut, brake and clutch	2
11.		18/773	Bracket, clutch control	
11.		18/777	Bracket, brake control	
12.		18/087	Fulcrum screw, brake and clutch controls	2
13.		18/752	Clutch lever only	
13.		18/754	Brake lever only	
14.		18/053	Nut for fulcrum pin	2
15.		16/011	Throttle cable stop	
16.		16/009	Screw, friction spring	
17.		16/010	Nut, friction spring screw	
18.		16/008	Friction spring, twist grip	
19.		16/091	Twist grip rotor	
20.	19-7222		Rubber grip (right-hand)	
21.	40-8121		Tank mounting rubber (front)	
22.	42-8052		Anti-roll rubber	2
23.	41-8107		Petrol tank side transfer	2
24.	2-2395		Nut, silencer to bracket (1/4" B.S.C.)	2
25.	2-1462		Spring washer, silencer to bracket (1/4" x 19/32" x .040")	2
26.	82-9945		Silencer bracket	
27.	14-302		Nut, bracket to frame (5/16" U.N.F.)	2
28.	24-8784		Spring washer, bracket to frame (5/16" x 5/8" x .040")	2
29.	21-1908		Nut, silencer clip (5/16" U.N.F.)	
30.	54-8003		Spring washer, silencer clip	
31.	75-2719		"D" washer, silencer clip	2
32.	70-5874		Silencer clip complete	
33.	14-219		Bolt, silencer clip (5/16" U.N.F. x 1 1/2")	
34.	14-115		Bolt, bracket to frame (5/16" U.N.F. x 7/8")	2
35.	2-204		Bolt, silencer to bracket (1/4" B.S.C. x 1/2")	2
36.	54-9003		Screw, heat shield	2
37.	70-8960		Heat shield	



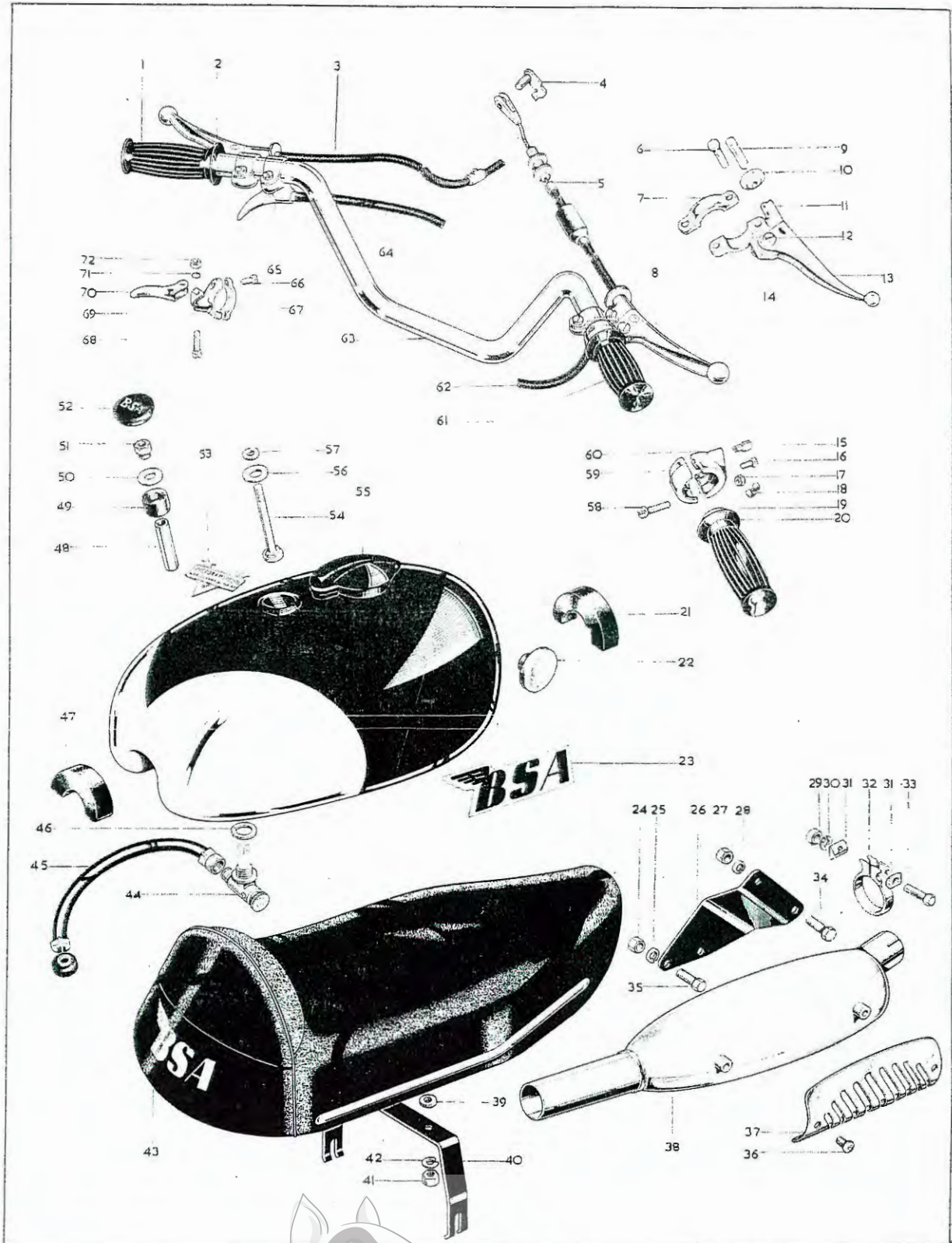


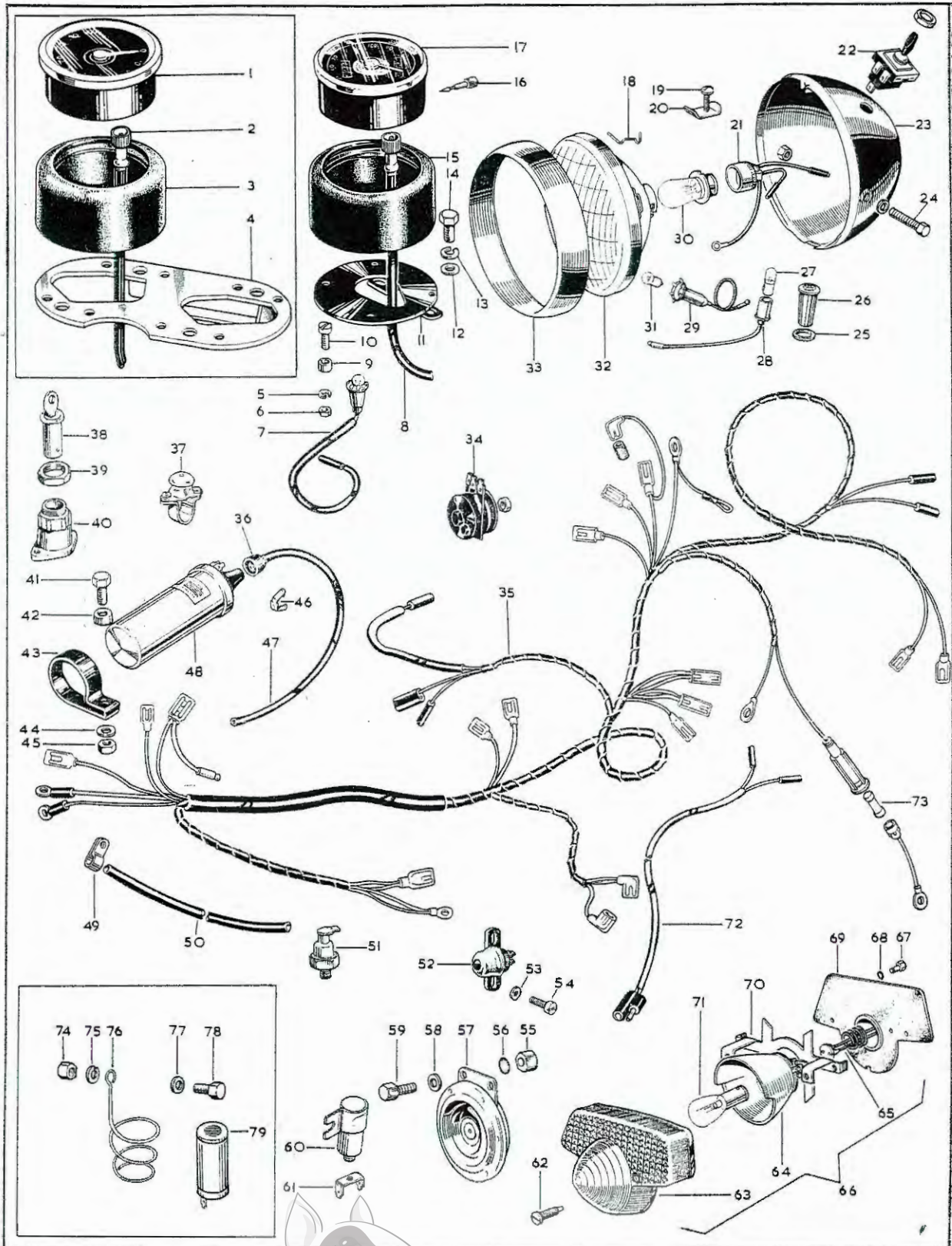
Plate 17—continued

PETROL TANK, TWINSEAT, HANDLEBAR AND CONTROLS

Code	Spares No.	Description	Per Set
	B.S.A. NO.	MAKERS NO.	
38.	70-9654	Silencer
39.	27-8560	Spacer, twinseat	2
40.	41-9131	Rear bracket, twinseat
41.	2-51	Nut, twinseat ($\frac{1}{4}$ " B.S.C.)	2
42.	2-1462	Spring washer, twinseat ($\frac{1}{4}$ " \times 19/32" \times .040")	2
43.	82-9732	Twinseat complete
44.	68-8024	Petrol tap
45.	82-8718	Petrol pipe assembly complete
46.	82-9204	Seal washer, for petrol tap	as reqd.
46.	65-8218	Seal washer, for petrol tap	as reqd.
46.	65-8219	Seal washer, for petrol tap	as reqd.
47.	40-8140	Tank mounting rubber (rear)
48.	68-8046	Spacer tube, tank mounting
49.	42-8017	Rubber sleeve, tank mounting
50.	68-8016	Washer, tank mounting
51.	68-8014	Nut, tank mounting ($\frac{5}{16}$ " B.S.C.)
52.	42-8010	Grommet, tank mounting
53.	60-2042	Petrol tank top transfer
54.	68-8045	Bolt, tank mounting ($\frac{5}{16}$ " B.S.C. \times 2 $\frac{7}{8}$ ")
55.	40-8101	Petrol tank with fixed fittings
56.	29-5655	Washer, tank mounting ($\frac{7}{16}$ " \times 25/32" \times .104")
57.	2-923	Washer, tank mounting ($\frac{5}{16}$ " \times 5/8" \times 1/16")
58.		11/013 Body screw, twist grip	2
59.		16/328 Body (top-half), twist grip
60.		16/329 Body (bottom half), twist grip
61.	19-7223	16/364 Twist grip control complete
62.	40-8657	Throttle cable complete
63.	40-4960	Handlebar
64.	41-8548	Exhaust lifter control cable
65.	42-8611	18/864 Exhaust lifter control complete
66.	19-3082	376/079 Clamp screw, exhaust lifter	2
67.	19-3083	12/064 Handlebar clamp, exhaust lifter
68.	19-3084	11/014 Lever fulcrum pin, exhaust lifter
69.	19-3086	18/869 Bracket, exhaust lifter
70.	19-3085	18/871 Lever, exhaust lifter
71.	19-3087	Lockwasher, for nut line 72
72.	19-2763	18/060 Fulcrum pin nut, exhaust lifter

NOTE:—Where no B.S.A. Part Number is quoted, the part is only available from the makers.

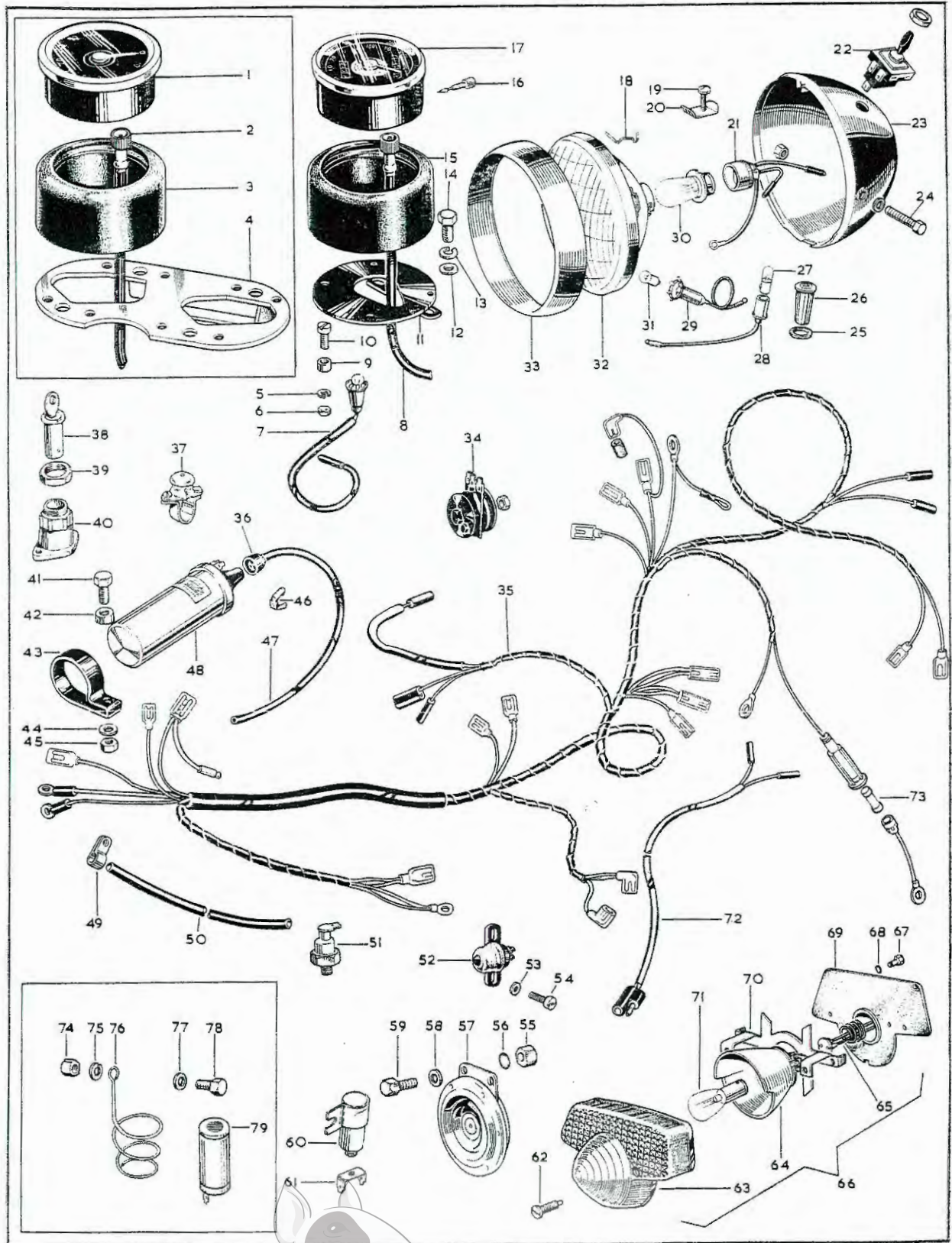




CLASSIC
BIKE SPARES

ELECTRICAL EQUIPMENT

Code	Spares No.	Description	Per Set
	B.S.A. NO.	MAKERS NO.	
1.	19-8944	RSM.3003/01 Tachometer head (<i>to order only</i>)
2.	19-9094	Tachometer cable (<i>to order only</i>)
3.	83-281	Mounting cup, tachometer head (<i>to order only</i>)
4.	97-3689	Mounting bracket, speedometer and tachometer (<i>to order only</i>)
5.	24-7068	Spring washer, speedometer or tachometer mounting	.. 4
6.	2-47	Nut, speedometer or tachometer mounting 4
7.	19-1166	54953389 Speedometer light lead
8.	19-9089	DF.9110/00/63 Speedometer cable
9.	68-9418	Spacer, speedometer or tachometer mounting 4
10.	76-543	Screw, speedometer or tachometer mounting 4
11.	82-8283	Mounting bracket, speedometer head only
12.	2-525	Washer, speedometer or tachometer bracket mounting	.. 2
13.	24-978	Spring washer, speedometer or tachometer bracket mounting	.. 2
14.	2-1354	Bolt, speedometer or tachometer bracket mounting	.. 2
15.	83-281	Mounting cup, speedometer head
16.	19-9080	41-148-203-108-0 Speedometer trip shaft
17.	19-8936	SSM.5001/05 Speedometer head
18.		504665 Wire clip, headlamp light unit 5
19.		144921 Screw, headlamp rim
20.		534296 Plate, headlamp rim fixing screw
21.		554602 Main bulb holder
22.	19-964	35710 Light switch
23.		54524000 Headlamp body
24.		112201 Bolt, headlamp mounting 2
25.		54140331 Seal washer, warning light body 2
26.	19-982	38191 Warning light body (green)
26.	19-965	38189 Warning light body (red)
27.		281 Bulb, warning light 2
28.		54945043 Bulb holder, warning light 2
29.		54573590 Pilot bulb holder, headlamp
30.		464 Main bulb, headlamp
31.		989 Pilot bulb, headlamp
32.		54524526 Light unit, headlamp
33.		534343 Headlamp rim
34.	19-1715	49072 Rectifier
35.	19-986	54955718 Wiring harness
36.	75-9607	421554 Grommet, high-tension lead
37.	19-1472	76204 Horn push
38.	68-9304	Ignition lock and key
39.	19-1247	54130041 Nut, ignition switch
40.	19-1775	31899 Ignition switch
41.	2-14	Bolt, coil clip mounting
42.	75-9102	Spacer, coil clip mounting

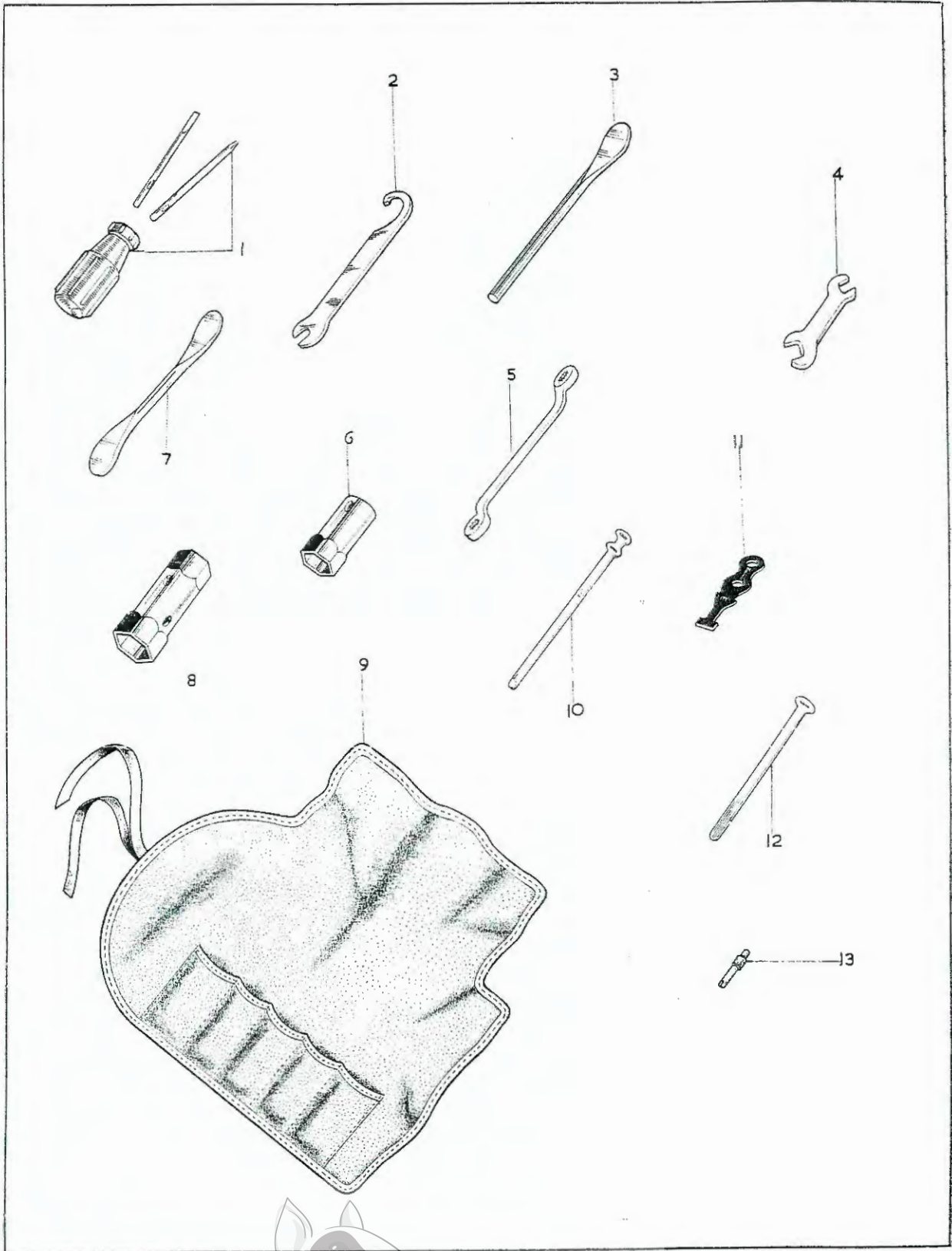


ELECTRICAL EQUIPMENT

Code	Spares No.		Description	Per Set
	B.S.A. NO.	MAKERS NO.		
43.	68-4093		Coil clip	
44.	27-8560		Washer, coil clip mounting	
45.	40-414		Nut, coil clip mounting	
46.	19-866	421863	Clip, high-tension lead	
47.	19-1879	842185	High-tension lead	
48.	19-1854	45110	Ignition coil	
49.	66-8340		Clip, battery vent pipe	
50.	68-9163		Battery vent pipe	
51.	19-1735	49345	Zener-diode	
52.	19-916	34815	Rear stop light switch	
53.	2-1096		Washer, stop switch mounting	2
54.	42-4574		Screw, stop switch mounting	2
55.	42-4475		Nut, horn mounting	
56.	66-4707		Lockwasher, horn mounting	
57.	19-2064		Horn	
58.	2-2138		Washer, horn mounting	
59.	75-4813		Bolt, horn mounting	
60.	19-1747	54441582	Condenser, ignition	
61.	47-9170	54190096	Single "Lucar" blade for condenser	
62.		144921	Screw, tail lamp lens	2
63.		54577109	Tail lamp lens	
64.		54578213	Bulb holder assembly, tail lamp	
65.		573828	Bulb holder interior, tail lamp	
66.	19-1245	53973	Stop/tail lamp complete	
67.		110714	Screw, lamp fixing	2
68.		188330	Lockwasher, lamp fixing	2
69.		54571677	Gasket, lamp seating	
70.		54578212	Base assembly, tail lamp	
71.		380	Bulb, stop/tail lamp	
72.	82-8314	54953386	Tail lamp lead	
73.	19-1249		Fuse (12 volt, 35 amp.)	
74.	2-2395		Nut, capacitor mounting <i>(to order only)</i>	
75.	2-1462		Spring washer, capacitor mounting <i>(to order only)</i>	
76.	82-8320	54483156	Spring, capacitor mounting <i>(to order only)</i>	
77.	2-525		Washer, capacitor mounting <i>(to order only)</i>	
78.	2-1354		Bolt, capacitor mounting <i>(to order only)</i>	
79.	82-8319	54170009	Capacitor <i>(to order only)</i>	
	19-1776	54027029	Battery <i>(not illustrated)</i>	
	19-985	60034	Headlamp complete	
	00-5195		Tachometer kit complete <i>(to order only)</i>	
	00-4403		Capacitor kit complete <i>(to order only)</i>	

*NOTE:—Where no B.S.A. part number is quoted, the part is only available from the makers.

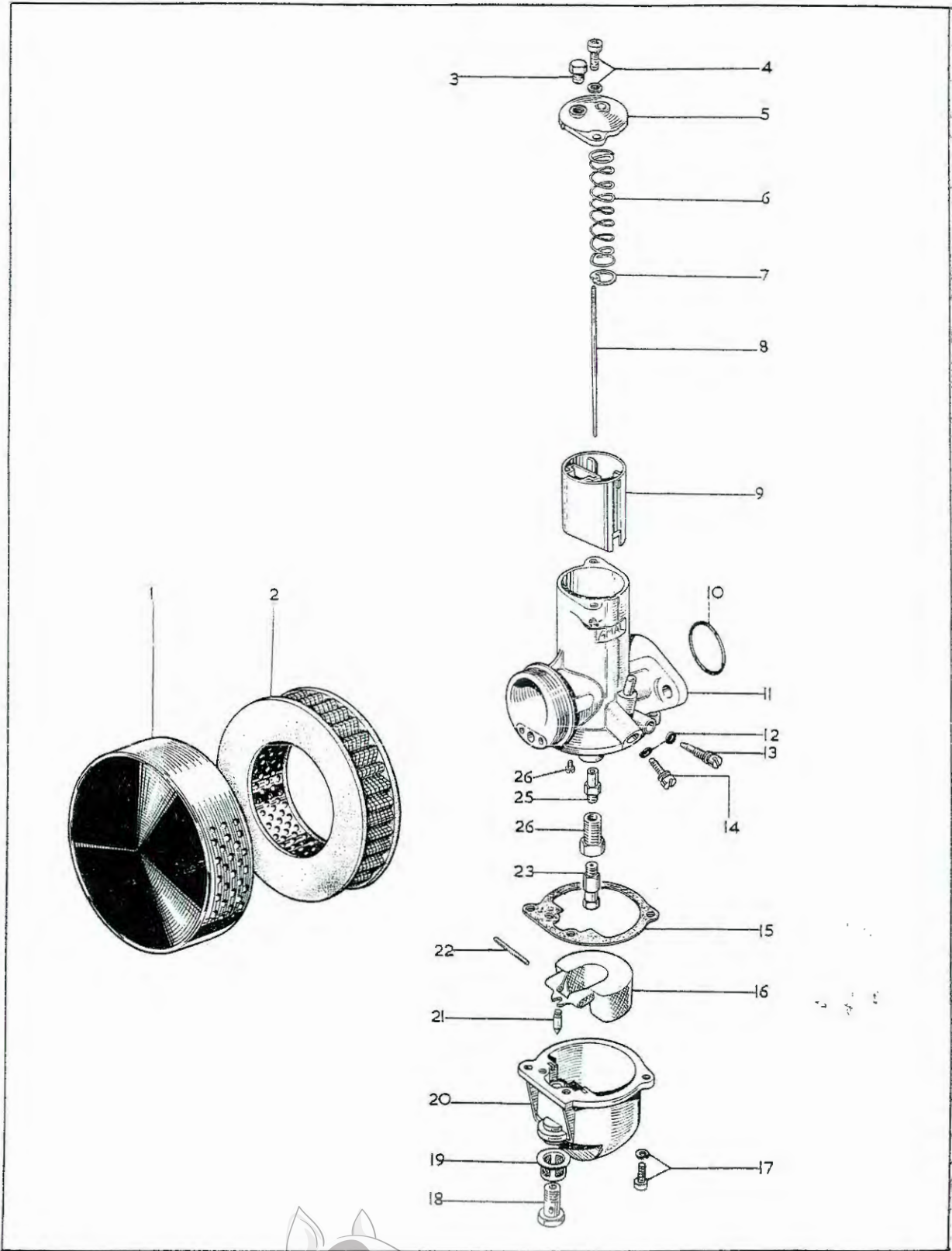




TOOLS AND SUNDRIES

<i>Code</i>	<i>Spares No.</i>	<i>Description</i>	<i>Per Set</i>
1.	60-767	Screwdriver set
2.	68-9462	"C" spanner, rear damper
3.	60-801	Tyre lever/tommy bar
4.	65-9132	Tapper spanner
5.	67-9026	Ring spanner
6.	68-9464	Plug spanner
7.	29-9252	Tyre lever
8.	40-9017	Double box spanner
9.	68-9461	Tool roll
10.	76-9136	Cable clip	5
11.	90-9024	Rubber cable clip	2
12.	75-9045	Cable clip	3
13.	68-9467	Tyre valve key
	60-2114	Toolkit complete





CARBURETTER AND AIR CLEANER

Code	Spares No.		Description	Per Set
	B.S.A. NO.	AMAL NO.		
1.	60-1053		Air cleaner complete	
2.	19-7115		Air cleaner element	
3.		4/137A	Screw plug for top cap	
4.	19-3093	622/086	Screw and washer for top cap	2
5.		928/097	Mixing chamber top cap	
6.	19-3095	622/067	Throttle needle clip	
7.	19-3094	622/061	Throttle slide spring	
8.	19-3107	928/063	Throttle needle	
9.	19-3108	928/060	Throttle slide (number 3 cut-away)	
10.	19-3090	622/101	"O" ring, carburetter flange	
11.		R.930	Carburetter body	
12.	19-3098	622/082	"O" ring, pilot air and throttle stop screws	2
13.		622/076	Pilot air adjusting screw	
14.		622/077	Throttle stop screw	
15.	19-3106	622/073	Float chamber gasket	
16.	19-3102	622/069	Float	
17.	19-3093	622/086	Screw and washer, float chamber to body	2
18.	19-3103	622/078	Banjo bolt	
19.	19-3048	376/093	Petrol filter	
20.		622/050	Float chamber	
21.	19-3105	622/068	Float needle	
22.		622/071	Float spindle	
23.	19-2883	376/100	Main jet (230 c.c.)	
24.		622/080	Jet holder	
25.	19-3101	622/079	Needle jet (.107")	
26.	19-3100	124/026	Pilot jet (25 c.c.)	
	19-2400	R.930/11	Carburetter complete	

NOTE:—Where no B.S.A. part number is quoted, the part is only available from the makers.

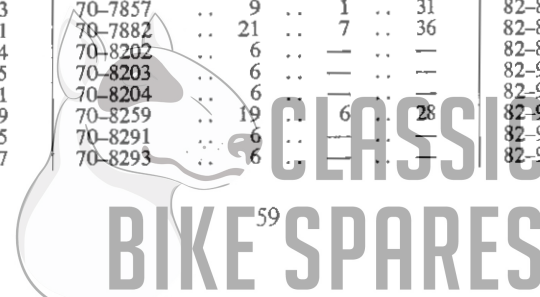


NUMERICAL INDEX—continued

NUMBER	PAGE	PLATE	CODE	NUMBER	PAGE	PLATE	CODE	NUMBER	PAGE	PLATE	CODE
19-8687	41	15	14	29-5655	47	17	56	40-705	13	3	3
19-8936	49	18	17	29-7962	33	12	27	40-723	21	7	20
19-8944	49	18	1	29-7971	33	12	28	40-740	25	8	12
19-9080	49	18	16	29-9252	53	19	7	40-948	27	9	16
19-9089	49	18	8	29-9388	37	13	39	40-977	21	7	1
19-9094	49	18	2					40-1005	25	8	6
19-9217	41	15	52	30-196	27	9	3	40-1033	15	4	4
				30-733	27	9	43	40-1035	19	6	27
21-771	33	12	25					40-1037	11	2	6
21-785	37	13	59	31-222	43	16	42	40-3007	17	5	9
21-1855	25	8	11					40-3019	17	5	6
21-1857	15	4	34	35-37	39	14	23	40-3020	17	5	4
21-1872	13	3	18	35-6436	41	15	24	40-3032	19	6	21
21-1889	15	4	8					40-3033	19	6	22
21-1890	15	4	3	36-382	43	16	13	40-3042	19	6	7
21-1891	19	6	26	36-382	31	11	13	40-3043	19	6	6
21-1892	13	3	20	36-382	27	9	21	40-3044	19	6	9
21-1893	15	4	20	36-382	19	6	25	40-3045	19	6	8
21-1894	13	3	47	36-382	37	13	38	40-3051	15	4	38
21-1895	13	3	6					40-3059	19	6	15
21-1896	13	3	5	37-2006	45	17	4	40-3061	19	6	17
21-1898	21	7	10	37-2226	41	15	10	40-3073	21	7	29
21-1899	23	7	67	37-2243	39	14	31	40-3084	23	7	44
21-1908	45	17	29					40-3085	23	7	45
21-1934	27	9	36	40-25	13	3	9	40-3119	17	5	6
21-1943	25	8	22	40-28	21	7	5	40-3120	17	5	6
21-1951	25	8	9	40-43	11	2	29	40-3121	15	4	37
21-1964	11	2	41	40-56	9	1	8	40-3126	17	5	4
21-1972	19	6	2	40-118	13	3	29	40-3127	17	5	4
21-5161	43	16	35	40-124	9	1	27	40-3150	25	8	31
				40-127	9	1	29	40-3155	19	6	16
24-36	13	3	14	40-129	9	1	13	40-3193	19	6	11
24-563	11	2	10	40-131	9	1	30	40-3194	19	6	13
24-724	13	3	36	40-148	11	2	11	40-3201	25	8	30
24-732	13	3	22	40-156	11	2	46	40-3203	25	8	32
24-978	49	18	13	40-157	11	2	5	40-3206	25	8	28
24-5160	11	2	17	40-158	11	2	12	40-3207	25	8	33
24-5860	39	14	17	40-158	11	2	15	40-3210	25	8	36
24-6040	9	1	4	40-159	11	2	2	40-3218	25	8	21
24-7000	41	15	26	40-162	11	2	1	40-3220	25	8	14
24-7068	49	18	5	40-167	9	1	26	40-3221	25	8	17
24-8784	41	15	19	40-171	9	1	25	40-3222	25	8	13
24-8784	45	17	28	40-182	9	1	33	40-3227	25	8	18
24-8784	43	16	29	40-208	9	1	9	40-3230	25	8	20
				40-209	9	1	6	40-3233	25	8	15
25-6014	39	14	22	40-222	21	7	4	40-3234	25	8	16
				40-236	23	7	37	40-3235	5		
26-650	11	2	34	40-241	13	3	42	40-3254	17	5	10
				40-242	13	3	25	40-3257	21	7	16
27-5135	37	13	58	40-243	13	3	45	40-3258	17	5	11
27-5676	31	11	8	40-246	29	10	15	40-3262	17	5	12
27-6742	43	16	27	40-246	13	3	43	40-3265	17	5	20
27-6810	39	14	6	40-292	11	2	14	40-3271	23	7	61
27-6810	41	15	40	40-294	11	2	45	40-3272	23	7	60
27-8560	43	16	6	40-296	11	2	13	40-3273	21	7	15
27-8560	43	16	32	40-309	9	1	11	40-3275	23	7	50
27-8560	47	17	39	40-325	13	3	8	40-3276	23	7	52
27-8560	51	18	44	40-326	13	3	8	40-3277	23	7	51
				40-327	13	3	8	40-3279	23	7	62
28-2080	41	15	6	40-375	13	3	39	40-3282	23	7	58
28-2080	27	9	8	40-385	21	7	9	40-3283	23	7	55
28-2080	39	14	9	40-387	19	6	4	40-3291	19	6	20
28-2080	39	14	25	40-394	17	5	1	40-3292	17	5	19
28-2338	43	16	1	40-414	43	16	7	40-3292	23	7	54
28-2338	31	11	16	40-414	15	4	9	40-3321	19	6	14
28-2338	43	16	49	40-414	35	13	12	40-3323	19	6	12
				40-414	29	10	17	40-3330	25	8	37
29-541	15	4	10	40-414	33	12	20	40-4077	27	9	25
29-541	27	9	10	40-414	33	12	24	40-4081	27	9	33
29-2053	13	3	53	40-414	43	16	41	40-4241	29	10	26
29-2054	13	3	52	40-414	51	18	45	40-4524	27	9	41
29-3319	29	10	14	40-415	9	1	32	40-4524	27	9	46
29-3319	21	7	27	40-417	9	1	3	40-4530	27	9	45
29-3857	17	5	2	40-455	13	3	32	40-4733	29	10	23
29-5293	31	11	3	40-572	11	2	35	40-4734	29	10	22
29-5293	31	11	21	40-679	21	7	7	40-4735	29	10	21
29-5338	35	13	7	40-682	21	7	21	40-4752	29	10	20
29-5347	35	13	6	40-683	21	7	22	40-4810	31	11	28

NUMERICAL INDEX—continued

NUMBER	PAGE	PLATE	CODE	NUMBER	PAGE	PLATE	CODE	NUMBER	PAGE	PLATE	CODE
64-6016	37	13	50	68-4093	51	18	43	70-8295	6	—	—
64-6054	43	16	16	68-4577	27	9	50	70-8312	6	—	—
65-1417	9	1	18	68-4597	27	9	51	70-8313	6	—	—
65-2494	9	1	23	68-4835	31	11	20	70-8314	6	—	—
65-2495	9	1	24	68-5056	37	13	54	70-8315	15	4	27
65-2593	23	7	59	68-5104	35	13	18	70-8737	21	7	26
65-4917	31	11	3	68-5108	35	13	19	70-8782	25	8	25
65-4917	31	11	22	68-5134	35	13	11	70-8896	13	3	19
65-5111	41	15	25	68-5137	37	13	57	70-8960	45	17	37
65-5295	35	13	9	68-5143	35	13	24	70-9381	13	3	11
65-5332	35	13	2	68-5144	35	13	5	70-9382	13	3	10
65-5333	37	13	52	68-5146	35	13	33	70-9383	13	3	16
65-5424	35	13	31	68-5170	35	13	21	70-9384	13	3	24
65-5451	35	13	27	68-5171	35	13	22	70-9398	5	—	—
65-5883	41	15	11	68-5197	37	13	35	70-9398	13	3	37
65-5884	41	15	38	68-5535	5	—	—	70-9408	23	7	69
65-5886	41	15	48	68-5535	39	14	10	70-9425	5	—	—
65-5887	41	15	47	68-5541	39	14	14	70-9427	25	8	8
65-5904	41	15	22	68-5543	39	14	33	70-9428	13	—	—
65-5904	39	14	35	68-5551	39	14	2	70-9429	13	3	17
65-5907	39	14	30	68-5552	39	14	34	70-9430	13	3	12
65-5940	41	15	8	68-5554	5	—	—	70-9431	13	3	15
65-6274	27	9	54	68-5554	39	—	—	70-9432	13	3	23
65-8218	47	17	46	68-5556	39	14	4	70-9433	23	7	57
65-8219	47	17	46	68-6066	41	15	1	70-9467	9	1	14
65-8326	27	9	39	68-6081	41	15	36	70-9517	13	3	13
65-9132	53	19	4	68-6095	41	15	18	70-9526	21	7	14
65-9270	33	12	13	68-6133	41	15	20	70-9548	5	—	—
66-102	11	2	9	68-6134	41	15	28	70-9548	11	—	—
66-492	11	2	21	68-6135	41	15	21	70-9549	11	2	30
66-954	11	2	32	68-6142	41	15	51	70-9654	47	17	38
66-3074	25	8	10	68-6802	43	16	26	70-9800	25	8	1
66-3074	9	1	28	68-6832	43	16	43				
66-3074	23	7	66	68-6835	43	16	31	75-257	23	7	70
66-4149	27	9	14	68-8014	47	17	51	75-2719	45	17	31
66-4705	27	9	31	68-8016	47	17	50	75-3144	43	16	15
66-4707	51	18	56	68-8024	47	17	44	75-3144	37	13	36
66-4708	41	15	3	68-8045	47	17	54	75-4813	27	9	19
66-4708	39	14	28	68-8046	47	17	48	75-4813	27	9	32
66-7518	13	3	40	68-8343	33	12	33	75-4813	51	18	59
66-8340	51	18	49	68-8368	33	12	6	75-6594	43	16	3
				68-8382	33	12	30	75-6594	31	11	19
				68-8383	33	12	31	75-9045	53	19	12
				68-9115	33	12	19	75-9102	49	18	42
				68-9163	51	18	50	75-9607	49	18	36
				68-9223	33	12	1				
				68-9226	33	12	7	76-12	11	2	18
				68-9227	33	12	4	76-100	43	16	23
				68-9287	33	12	2	76-101	43	16	23
				68-9304	49	18	38	76-271	21	7	17
				68-9337	33	12	18	76-528	23	7	63
				68-9418	49	18	9	76-543	49	18	10
				68-9428	37	13	63	76-4116	25	8	3
				68-9429	37	13	37	76-9136	53	19	10
				68-9461	53	19	9	76-9325	37	13	56
				68-9462	53	19	2				
				68-9467	53	19	13	82-8140	43	16	37
				68-9575	41	15	43	82-8195	43	16	36
								82-8283	49	18	11
								82-8285	27	9	44
								82-8314	51	18	72
								82-8319	51	18	79
								82-8320	51	18	76
								82-8367	43	16	20
								82-8394	43	16	9
								82-8436	33	12	10
								82-8448	31	11	1
								82-8614	33	12	3
								82-8625	33	12	12
								82-8718	47	17	45
								82-8819	31	11	15
								82-8874	33	12	29
								82-8933	29	10	5
								82-9008	27	9	47
								82-9204	47	17	46
								82-9210	29	10	25
								82-9214	5	—	—
								82-9214	27	9	15



NUMERICAL INDEX—continued

NUMBER	PAGE	PLATE	CODE	NUMBER	PAGE	PLATE	CODE	NUMBER	PAGE	PLATE	CODE
82-9603	.. 31	.. 11	.. 12	376/079	.. 47	.. 17	.. 66	76204	.. 49	.. 18	.. 37
82-9608	.. 31	.. 11	.. 11	376/093	.. 55	.. 20	.. 19	110714	.. 51	.. 18	.. 67
82-9732	.. 47	.. 17	.. 43	376/100	.. 55	.. 20	.. 23	112201	.. 49	.. 18	.. 24
82-9945	.. 45	.. 17	.. 26	622/050	.. 55	.. 20	.. 20	144921	.. 49	.. 18	.. 19
82-9952	.. 29	.. 10	.. 16	622/061	.. 55	.. 20	.. 7	144921	.. 51	.. 18	.. 62
82-9953	.. 29	.. 10	.. 10	622/067	.. 55	.. 20	.. 6	188330	.. 51	.. 18	.. 68
82-9958	.. 27	.. 9	.. 4	622/068	.. 55	.. 20	.. 21	421554	.. 49	.. 18	.. 36
82-9989	.. 43	.. 16	.. 20	622/069	.. 55	.. 20	.. 16	421863	.. 51	.. 18	.. 46
83-254	.. 43	.. 16	.. 24	622/071	.. 55	.. 20	.. 22	504665	.. 49	.. 18	.. 18
83-270	.. 43	.. 16	.. 24	622/073	.. 55	.. 20	.. 15	534296	.. 49	.. 18	.. 20
83-281	.. 49	.. 18	.. 3	622/076	.. 55	.. 20	.. 13	534343	.. 49	.. 18	.. 33
83-281	.. 49	.. 18	.. 15	622/077	.. 55	.. 20	.. 14	554602	.. 49	.. 18	.. 21
83-1460	.. 27	.. 9	.. 22	622/078	.. 55	.. 20	.. 18	573828	.. 51	.. 18	.. 65
89-3208	.. 21	.. 7	.. 30	622/079	.. 55	.. 20	.. 25	842185	.. 51	.. 18	.. 47
89-5036	.. 35	.. 13	.. 4	622/080	.. 55	.. 20	.. 24	54027029	.. 51	.. —	.. —
90-11	.. 23	.. 7	.. 64	622/082	.. 55	.. 20	.. 12	54130041	.. 49	.. 18	.. 39
90-241	.. 19	.. 6	.. 5	622/086	.. 55	.. 20	.. 4	54140331	.. 49	.. 18	.. 25
90-4294	.. 27	.. 9	.. 40	622/086	.. 55	.. 20	.. 17	54170009	.. 51	.. 18	.. 79
90-5268	.. 21	.. 7	.. 11	622/101	.. 55	.. 20	.. 10	54190096	.. 51	.. 18	.. 61
90-6074	.. 15	.. 4	.. 39	928/060	.. 55	.. 20	.. 9	54441582	.. 51	.. 18	.. 60
90-7029	.. 27	.. 9	.. 55	928/063	.. 55	.. 20	.. 8	54483156	.. 51	.. 18	.. 76
90-9024	.. 53	.. 19	.. 11	928/097	.. 55	.. 20	.. 5	54524000	.. 49	.. 18	.. 23
97-1932	.. 35	.. 13	.. 19	R.930	.. 55	.. 20	.. 11	54524526	.. 49	.. 18	.. 32
97-2513	.. 35	.. 13	.. 3	R.930/11	.. 6	.. —	.. —	54571677	.. 51	.. 18	.. 69
97-2514	.. 35	.. 13	.. 26	R.930/11	.. 55	.. —	.. —	54573590	.. 49	.. 18	.. 29
97-2525	.. 37	.. 13	.. 49	281	.. 49	.. 18	.. 27	54577109	.. 51	.. 18	.. 63
97-2526	.. 37	.. 13	.. 44	380	.. 51	.. 18	.. 71	54578212	.. 51	.. 18	.. 70
97-2564	.. 35	.. 13	.. 32	464	.. 49	.. 18	.. 30	54578213	.. 51	.. 18	.. 64
97-2565	.. 37	.. —	.. —	989	.. 49	.. 18	.. 31	54945043	.. 49	.. 18	.. 28
97-2565	.. 5	.. —	.. —	31899	.. 49	.. 18	.. 40	54953386	.. 51	.. 18	.. 72
97-2682	.. 35	.. 13	.. 28	34815	.. 51	.. 18	.. 52	54953389	.. 49	.. 18	.. 7
97-2688	.. 35	.. 13	.. 30	35710	.. 49	.. 18	.. 22	54955718	.. 49	.. 18	.. 35
97-2704	.. 21	.. 7	.. 8	38189	.. 49	.. 18	.. 26	41-148-203-108-0	49	.. 18	.. 16
97-2704	.. 23	.. 7	.. 46	38191	.. 49	.. 18	.. 26	DF.9110/00/63	49	.. 18	.. 8
97-2704	.. 37	.. 13	.. 46	45110	.. 51	.. 18	.. 48	RSM.3003/01	49	.. 18	.. 1
97-2709	.. 35	.. 13	.. 8	49072	.. 49	.. 18	.. 34	SSM.5001/05	49	.. 18	.. 17
97-3689	.. 49	.. 18	.. 4	49345	.. 51	.. 18	.. 51				
97-3693	.. 35	.. 13	.. 17	53973	.. 51	.. 18	.. 66				
97-3694	.. 35	.. 13	.. 17	60034	.. 51	.. —	.. —				
124/026	.. 55	.. 20	.. 26								

