

20-10208 C



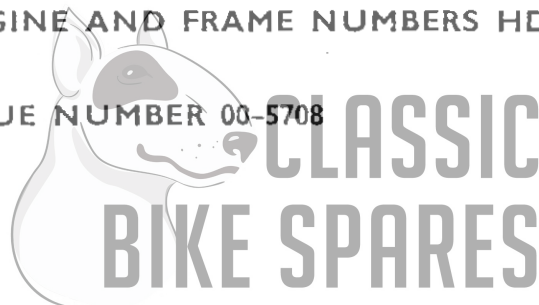
REPLACEMENT PARTS LIST

Model B44 VICTOR SPECIAL

FROM ENGINE AND FRAME NUMBERS HD 00101 B44VS

CATALOGUE NUMBER 00-5708

1970



CATALOGUE OF



FOR

B44 Victor Special

ISSUED BY

B.S.A. MOTOR CYCLES LTD.

Service Department, Armoury Road,
Birmingham 11

TELEPHONE 021-772-2381

TELEGRAMS "SELMOTO BIRMINGHAM"

B.S.A. MOTOR CYCLES LTD.

Registered Offices and Works: ARMOURY ROAD, BIRMINGHAM 11

Telephone: 021-772-2381

Telegrams and Cables: "SELMOTO BIRMINGHAM"

Contractors to Her Majesty's Government, the War Office, the Admiralty, the Post Office, the Colonial and Foreign Governments

Publication Reference 00-5708—September, 1969.

Printed in England by B.S.A. Press



SUFFIX NUMBERS TO BE USED TO IDENTIFY VARYING FINISHES

When ordering components with varying finishes, please state finish required by adding the appropriate number to part number.

EXAMPLE:

PETROL TANK 40-8101/273

PETROL TANK:

POLISHED ALLOY AND YELLOW, POLISHED CAP /273

MUDGUARDS:

CHROME /003

OTHER PARTS:

CHROME /003

BLACK /007

SILVER /165

PRICES:

No price codes are quoted in this list. For prices please refer to the Master Price List No. 00-5125.

Wherever possible details of thread form and size are quoted after description of nuts, bolts, screws, studs and washers. Such as: 14-7006 Socket screw ($\frac{1}{4}$ " Unified Coarse \times 1") = $\frac{1}{4}$ " diameter Unified Coarse thread 1" long under head.

Vital components, which are manufactured from special material, are indicated by a sign and the British Standard symbol for the material is quoted at the foot of the page.



CARBURETTERS:

AMAL LIMITED, HOLDFORD ROAD, WITTON, BIRMINGHAM 6.

CHAINS:

REYNOLDS CHAINS LIMITED, WYTHENSHAW, MANCHESTER.

ELECTRICAL EQUIPMENT:

J. LUCAS LIMITED, GREAT HAMPTON STREET, BIRMINGHAM 18.

SPEEDOMETERS:

SMITH'S MOTOR ACCESSORIES LIMITED, CRICKLEWOOD WORKS, LONDON N.W.2.

TYRES:

DUNLOP COMPANY LIMITED, FORT DUNLOP, BIRMINGHAM 24.

SPARKING PLUGS:

CHAMPION SPARKING PLUG COMPANY LIMITED, FELTHAM, MIDDLESEX.

SHOCK ABSORBERS:

GIRLING LIMITED, BIRMINGHAM ROAD, WEST BROMWICH, STAFFS.



ASSEMBLIES COMPLETE

<i>Spares No.</i>	<i>Description</i>
00-3171	TOP OVERHAUL GASKET SET.
00-3313	FULL OVERHAUL GASKET SET.
00-3463	PISTON RING SET (standard).
00-3464	PISTON RING SET (+.010"; .254 mm.).
00-3465	PISTON RING SET (+.020"; .508 mm.).
00-3474	PISTON RING SET (standard, alternative Hepworth and Grandage).
00-3475	PISTON RING SET (+.010", alternative Hepworth and Grandage).
00-3476	PISTON RING SET (+.020"; alternative Hepworth and Grandage).
71-1090	ENGINE/GEARBOX UNIT COMPLETE LESS CARBURETTER AND EXHAUST SYSTEM.
71-1120	CRANKCASE COMPLETE WITH FIXED FITTINGS.
70-9548	FLYWHEEL AND CONNECTING ROD ASSEMBLY.
57-4017	CLUTCH ASSEMBLY COMPLETE.
71-1134	OIL PUMP COMPLETE.
82-9214	FRAME COMPLETE WITH FIXED FITTINGS.
97-3903	FRONT FORK ASSEMBLY.
68-5554	FRONT WHEEL WITH SPINDLE AND BEARINGS.
68-5535	FRONT HUB WITH SPINDLE AND BEARINGS.
41-6009	REAR WHEEL WITH SPINDLE AND BEARINGS.
41-6022	REAR HUB WITH SPINDLE AND BEARINGS.



PISTON CHART

PISTONS COMPLETE				
Compression Ratio	Standard	+ .010" (.254 mm.)	+ .020" (.508 mm.)	
9.4 : 1	41-0793	41-0795	41-0797	
	COMPRESSION RINGS			
	Taper 41-0092 (2)	Taper 41-0104 (2)	Taper 41-0093 (2)	Standard Fitting
	Top 70-8203 Taper 70-8202	Top 70-8313 Taper 70-8312	Top 70-8293 Taper 70-8291	Alternative Hepworth & Grandage Rings
	SCRAPER RINGS			
	41-0098	41-0102	41-0099	Standard Fitting
	70-8204	70-8314	70-8295	Alternative Hepworth & Grandage Rings

CARBURETTER SETTINGS

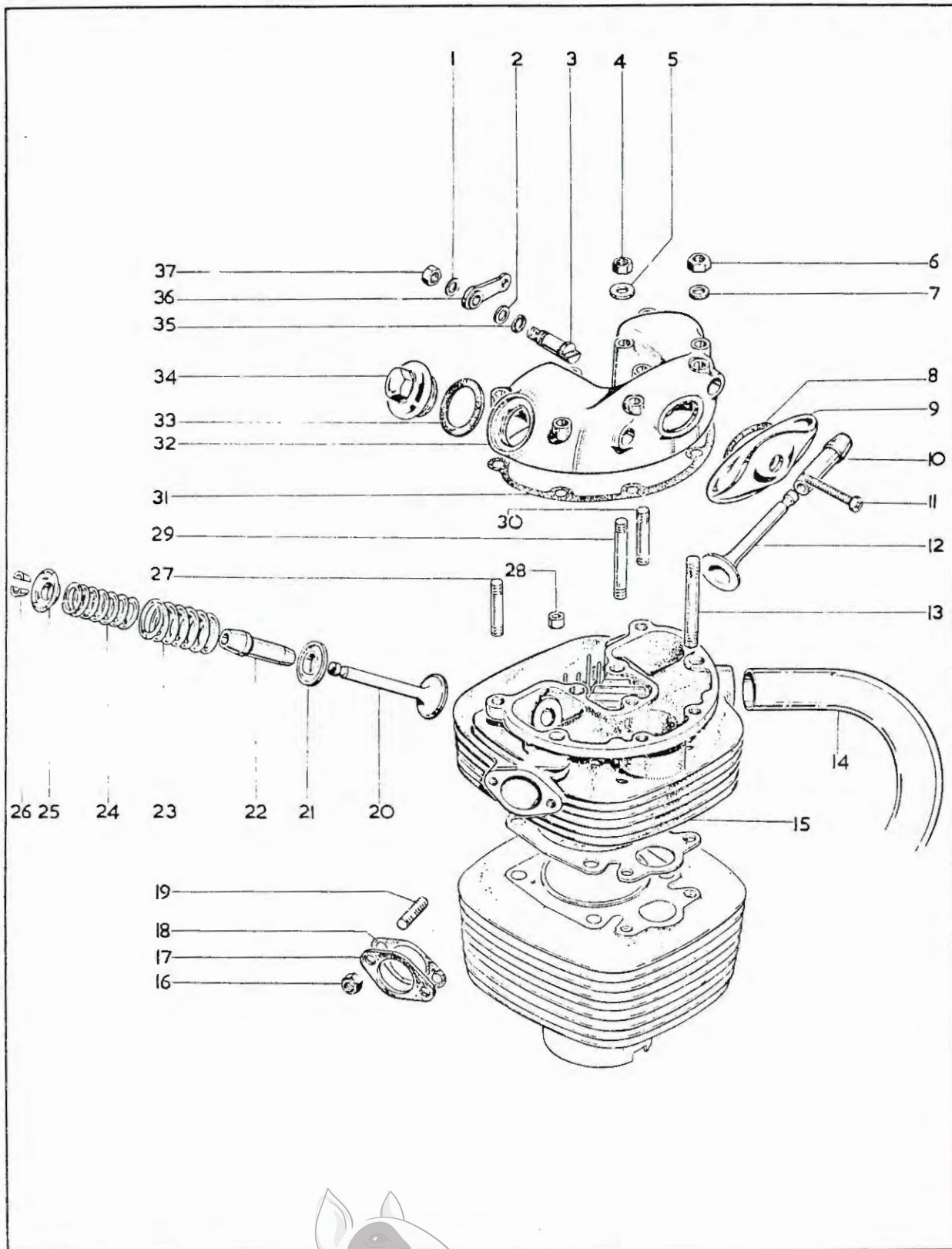
Spares Number	Makers Number	Main Jet	Pilot Jet	Throttle Slide	Needle Jet	Needle Position
19-2425	R930/38	240	622/107	3½	.106	1



INDEX

	ASSEMBLIES COMPLETE	Page 5
Plate 1	CYLINDER HEAD, EXHAUST PIPE	Page 8 - 9
Plate 2	CYLINDER AND CRANKSHAFT	Page 10 - 11
Plate 3	CRANKCASE	Page 12 - 15
Plate 4	OIL PUMP, GEARBOX SPROCKET	Page 16 - 17
Plate 5	GEAR CLUSTER	Page 18 - 19
Plate 6	GEARCHANGE MECHANISM	Page 20 - 21
Plate 7	FOOTSTART AND FOOTCHANGE	Page 22 - 25
Plate 8	CLUTCH AND PRIMARY COVER	Page 26 - 27
Plate 9	FRAME, BATTERY CARRIER, REAR BRAKE CONTROL	Page 28 - 31
Plate 10	SWINGING ARM	Page 32 - 33
Plate 11	FOOTRESTS, ENGINE SHIELD	Page 34 - 35
Plate 12	OIL TANK, SIDECOVER, TOOL TRAY	Page 36 - 37
Plate 13	FRONT FORKS	Page 38 - 41
Plate 14	FRONT WHEEL	Page 42 - 43
Plate 15	REAR WHEEL	Page 44 - 47
Plate 16	MUDGUARDS	Page 48 - 49
Plate 17	PETROL TANK, TWINSEAT, HANDLEBAR AND CONTROLS	Page 50 - 53
Plate 18	ELECTRICAL EQUIPMENT	Page 54 - 57
Plate 19	TOOLS AND SUNDRIES	Page 58 - 59
Plate 20	CARBURETTOR AND AIR CLEANER	Page 60 - 61



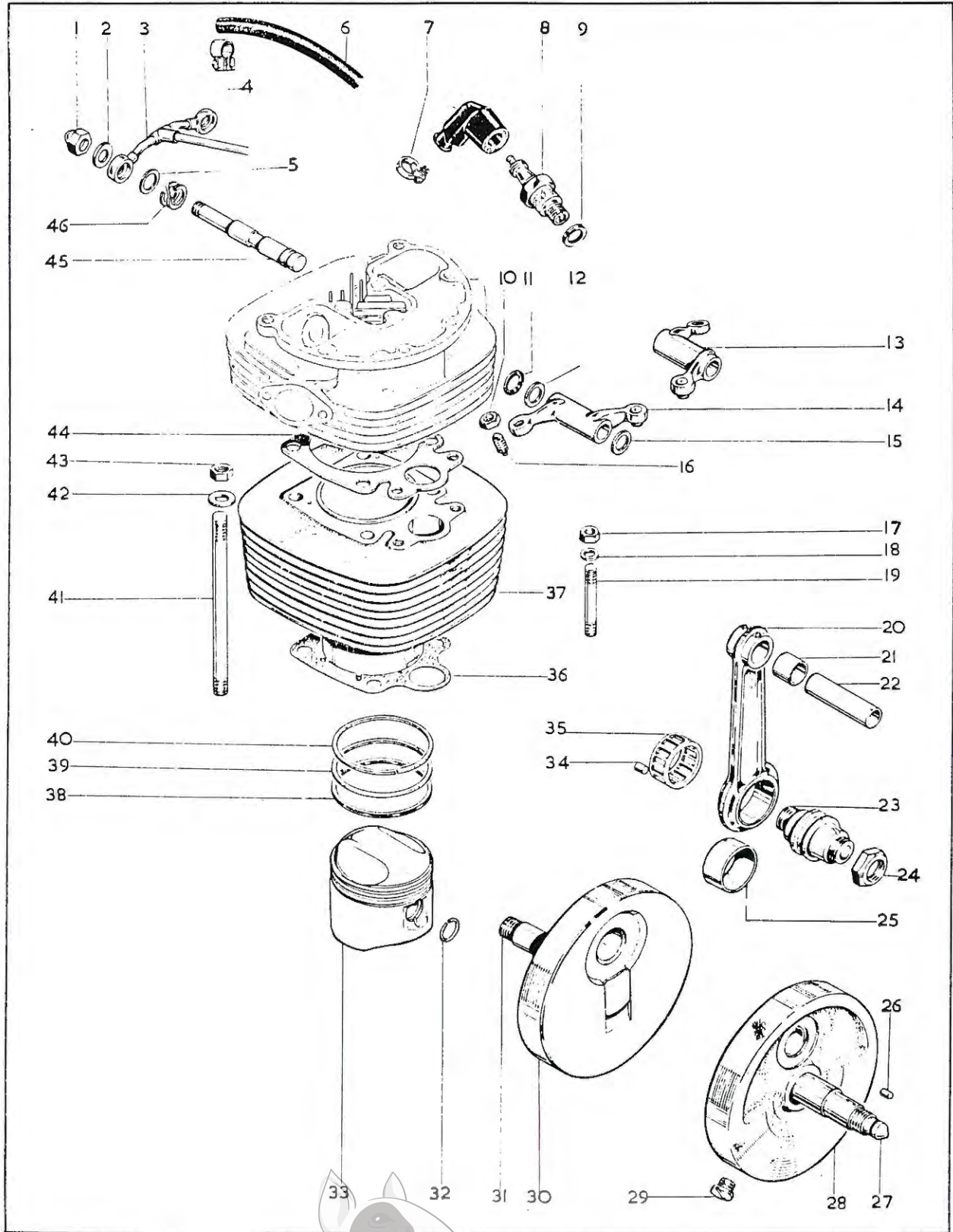


CYLINDER HEAD, EXHAUST PIPE

Plate Ref.	Spares No.	Description	Per Set
	00-3171	Decoke gasket set	1
	00-3313	Full overhaul gasket set	1
1.	02-0525	Washer for nut, line 37 ($\frac{1}{4}'' \times \frac{1}{2}'' \times .048''$)	1
2.	15-5155	Washer, valve lifter ($2\frac{1}{64}'' \times \frac{1}{2}'' \times .048''$)	1
3.	40-0417	Exhaust valve lifter	1
4.	24-6040	Nut, rocker box ($\frac{5}{16}''$ British Standard Cycle)	2
5.	02-0923	Washer, rocker box nut ($\frac{5}{16}'' \times \frac{5}{8}'' \times \frac{1}{16}''$)	2
6.	40-0209	Nut, rocker box ($\frac{1}{4}''$ British Standard Cycle)	7
7.	02-0525	Washer, rocker box nut ($\frac{1}{4}'' \times \frac{1}{2}'' \times .048''$)	7
8.	40-0056	Gasket, rocker inspection cover	1
9.	40-0208	Rocker inspection cover	1
10.	41-0633	Exhaust valve guide	1
11.	40-0309	Screw, rocker inspection cover	1
12.	41-0789	Exhaust valve	1
13.	40-0129*	Cylinder head stud, long $\frac{1}{4}''$ (British Standard Cycle/British Standard Fine $\times 2-15/16''$)	3
14.	70-9677	Exhaust pipe complete	1
15.	41-0784	Cylinder head with fixed fittings	1
16.	42-4476	Carburetter stud nut ($\frac{5}{16}''$ British Standard Cycle)	2
17.	70-7821	Tufnol washer, carburetter joint	1
18.	65-1417	Carburetter joint gasket	1
19.	68-0018*	Carburetter stud ($\frac{5}{16}''$ British Standard Cycle/British Standard Fine $\times 1\frac{3}{8}''$)	2
20.	41-0788	Inlet valve	1
21.	68-0931	Valve spring bottom cup	2
22.	41-0632	Inlet valve guide	1
23.	65-2494	Valve spring (outer)	2
24.	65-2495	Valve spring (inner)	2
25.	40-0171	Valve spring top collar	2
26.	40-0167	Valve spring collet	4
27.	40-0124	Cylinder head dowel stud	2
28.	66-3074	Cylinder head dowel	2
29.	40-0127	Rocker box stud ($\frac{5}{16}''$ British Standard Cycle/British Standard Fine $\times 2-9/16''$)	2
30.	40-0131*	Cylinder head stud, short ($\frac{1}{4}''$ British Standard Cycle/ British Standard Fine $\times 2\frac{1}{4}''$)	2
31.	70-7857	Rocker box gasket	1
32.	40-0415	Rocker box	1
33.	40-0182	Washer, valve inspection cap	2
34.	41-0031	Valve inspection cap	2
35.	68-0289	"O" ring, valve lifter	1
36.	41-0176	Exhaust valve lifter lever	1
37.	02-0443	Nut, valve lifter ($\frac{1}{4}''$ British Standard Cycle)	1

*Special material: 13.—EN15. 19.—EN15. 30.—EN15.





CYLINDER AND CRANKSHAFT

Plate Ref.	Spares No.	Description	Per Set
1.	40-0162	Nut, rocker spindle ($\frac{3}{8}$ " British Standard Cycle, domed)	2
2.	40-0159	Washer, oil feed pipe	4
3.	41-0807	Rocker oil feed pipe	1
4.	62-0263	Clip for oil pipe, line 6	1
5.	40-0157	Thrust washer, rocker spindle ($\frac{3}{8}$ ")	2
6.	40-1037	Flexible oil pipe, rockers	1
7.	19-7625	Spark plug cover (Champion WC548)	1
8.	19-7616	Spark plug (Champion N4)	1
9.	66-0102	Spark plug washer	1
10.	24-0563	Nut, rocker adjusting screw ($\frac{5}{16}$ " British Standard Cycle)	2
11.	40-0148	"O" ring, rocker spindle	2
12.	40-0158	Thrust washer, rocker spindle ($\frac{1}{2}$ ")	2
13.	40-0296	Exhaust rocker complete	1
14.	40-0292	Inlet rocker complete	1
15.	40-0158	Thrust washer, rocker spindle ($\frac{1}{2}$ ")	2
16.	68-0155*	Rocker adjusting screw ($\frac{5}{16}$ " British Standard Cycle)	2
17.	24-5160	Nut, cylinder stud ($\frac{5}{16}$ " British Standard Cycle)	2
18.	76-0012	Washer, cylinder stud ($21/64$ " x $9/16$ " x $3/32$ ")	2
19.	41-0044*	Cylinder stud ($\frac{5}{16}$ " British Standard Cycle/British Standard Fine 2-25/32")	2
20.	41-0549	Connecting rod complete	1
21.	66-0492	Small-end bush, connecting rod	1
22.	41-0101	Gudgeon pin	1
23.	41-0586	Crankpin	1
24.	41-0588	Crankpin nut	2
25.	41-0183	Big-end bush, connecting rod	1
26.	41-0551	Peg, crankpin location	1
27.	41-0564	Engine shaft (right-hand)	1
28.	41-0554	Flywheel complete (right-hand)	1
29.	40-0043	Flywheel plug	1
30.	70-9549	Flywheel complete (left-hand)	1
31.	41-0579	Engine shaft (left-hand)	2
32.	66-0954	Gudgeon pin circlip	2
33.	41-0793†	Piston complete	1
34.	26-0650	Crankpin roller	24
35.	40-0572	Crankpin roller cage	1
36.	70-7727	Cylinder base washer	1
37.	41-0787	Cylinder barrel	1
38.	41-0098†	Piston scraper ring	1
39.	41-0092†	Piston compression ring	1
40.	41-0092†	Piston compression ring	1
41.	21-1964	Stud, cylinder holding	4
42.	41-0639	Washer for nut, line 43	4
43.	14-0304	Nut, cylinder holding down ($7/16$ " Unified Fine)	4
44.	41-0638	Cylinder head gasket	1
45.	40-0294	Rocker spindle, inlet and exhaust	2
46.	40-0156	Spring washer, rocker spindle	1
	70-9548	Flywheel and connecting rod assembly	1
	41-0548	Connecting rod and crankpin assembly	1

*Special material: 16.--EN9. 19.--EN14B.

†See page 6.

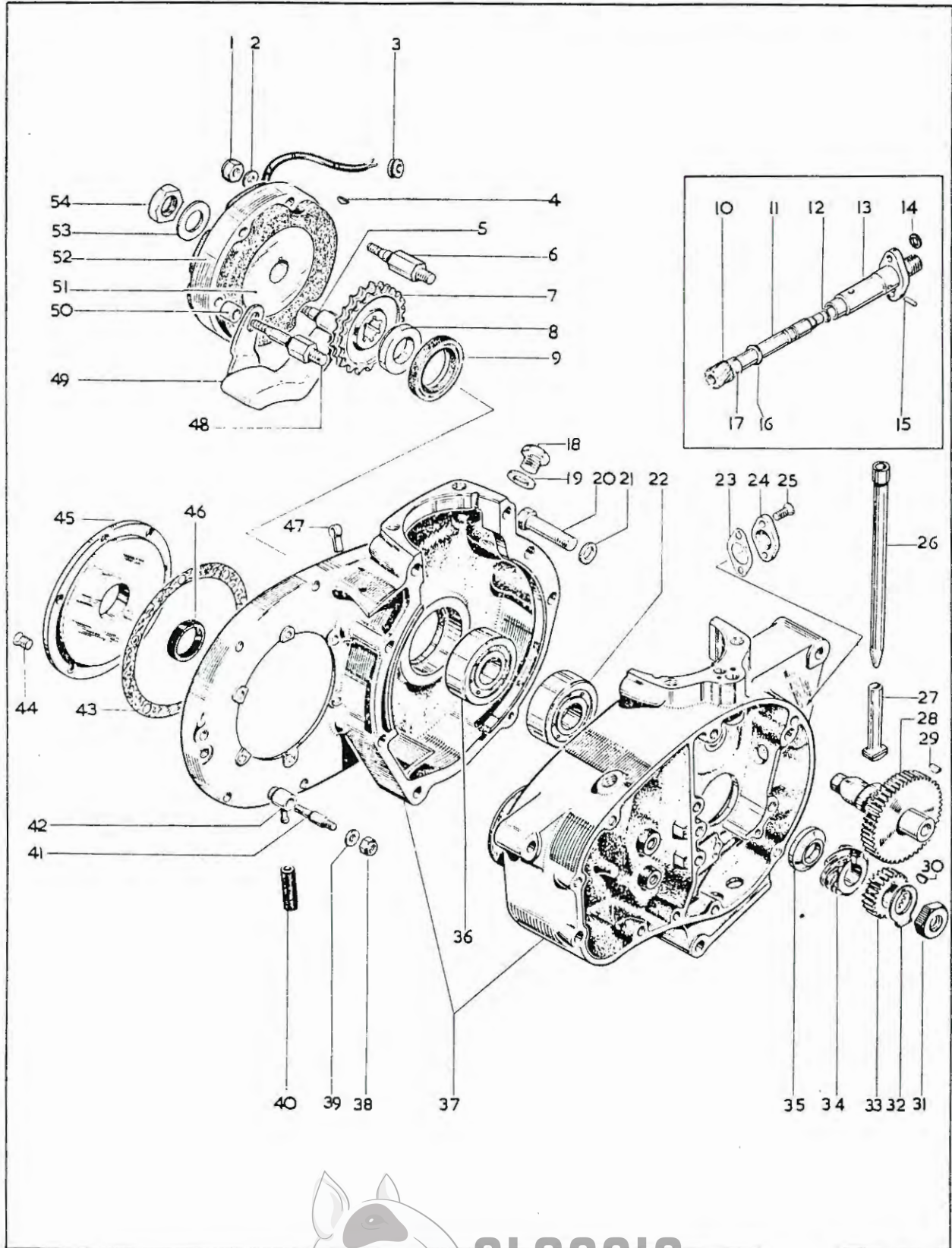
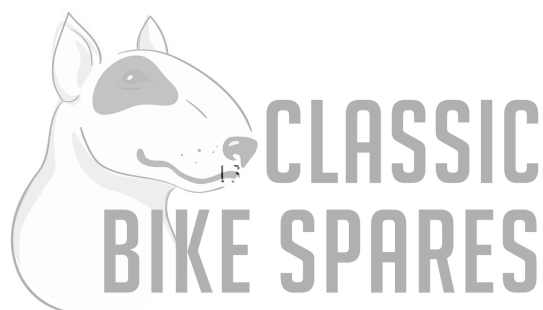
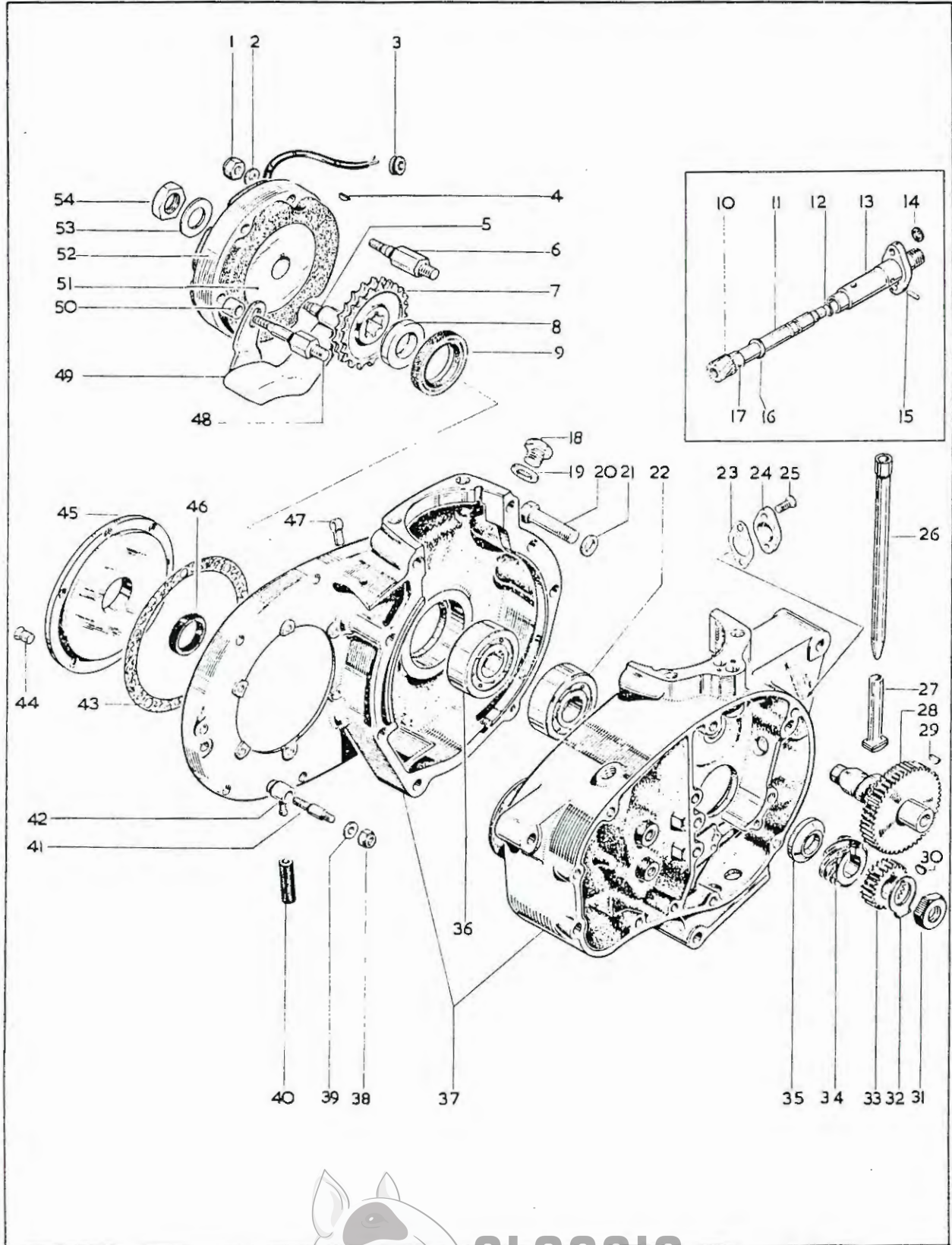


Plate 3

CRANKCASE

Plate Ref.	Spares No.	Description	Per Set
1.	14 1901	Stator self-lock nut	3
2.	02 0525	Washer, stator fixing (1/4" - 1/2" - 0487)	3
3.	40 0705	Grommet, generator lead	1
4.	41 0673	Key, rotor to shaft	1
5.	21 1896*	Bottom stud, stator fixing (1/2" Unified Fine - 3/16" Unified Coarse - 2-9 167)	1
6.	21 1895*	Front stud, stator fixing (1/4" Unified Fine - 3/16" Unified Coarse - 2-19 327)	1
7.	41 0615	Engine sprocket (28 teeth)	1
8.	40 0325	Engine sprocket spacer (0.324" - 0.327"; 8.229 - 8.305 mm.)	as reqd
8.	40 0326	Engine sprocket spacer (0.309" - 0.312"; 7.884 - 7.924 mm.)	as reqd
8.	40 0327	Engine sprocket spacer (0.294" - 0.297"; 7.467 - 7.543 mm.)	as reqd
9.	40 0025	Oil seal, crankcase drive-side	1
	70 9428	Tachometer drive assembly	1
10.	70 9382	Tachometer drive shaft gear	1
11.	70 9381	Tachometer drive shaft	1
12.	70 9430	"O" ring, drive shaft	1
13.	70 9517	Drive shaft body	1
14.	24 0036	Sealing washer, drive shaft	1
15.	70 9431	Locating pin, drive shaft	1
16.	70 9383	Thrust washer, drive shaft	1
17.	70 9429	Retaining pin, drive gear	1
18.	21 1872	Plug timing aperture	1
19.	70 8896	Washer for plug, line 18	1
20.	21-1892	Bolt, crankcase (3/16" Unified Coarse - 1 1/2")	3
21.	02 0923	Washer, crankcase bolt (3/16" - 5/8" - 1/16")	3
22.	24 0732	Bearing, right-hand (Hoffman 325)	1
23.	70 9432	Gasket, tachometer drive	1
24.	70 9384	Cover plate, tachometer drive hole	1
25.	40 0242**	Screw, tachometer drive (2 British Association - 27 64 - countersunk)	2
26.	41 0790	Push rod, inlet and exhaust	2
27.	70 7739	Tappet, inlet and exhaust	2



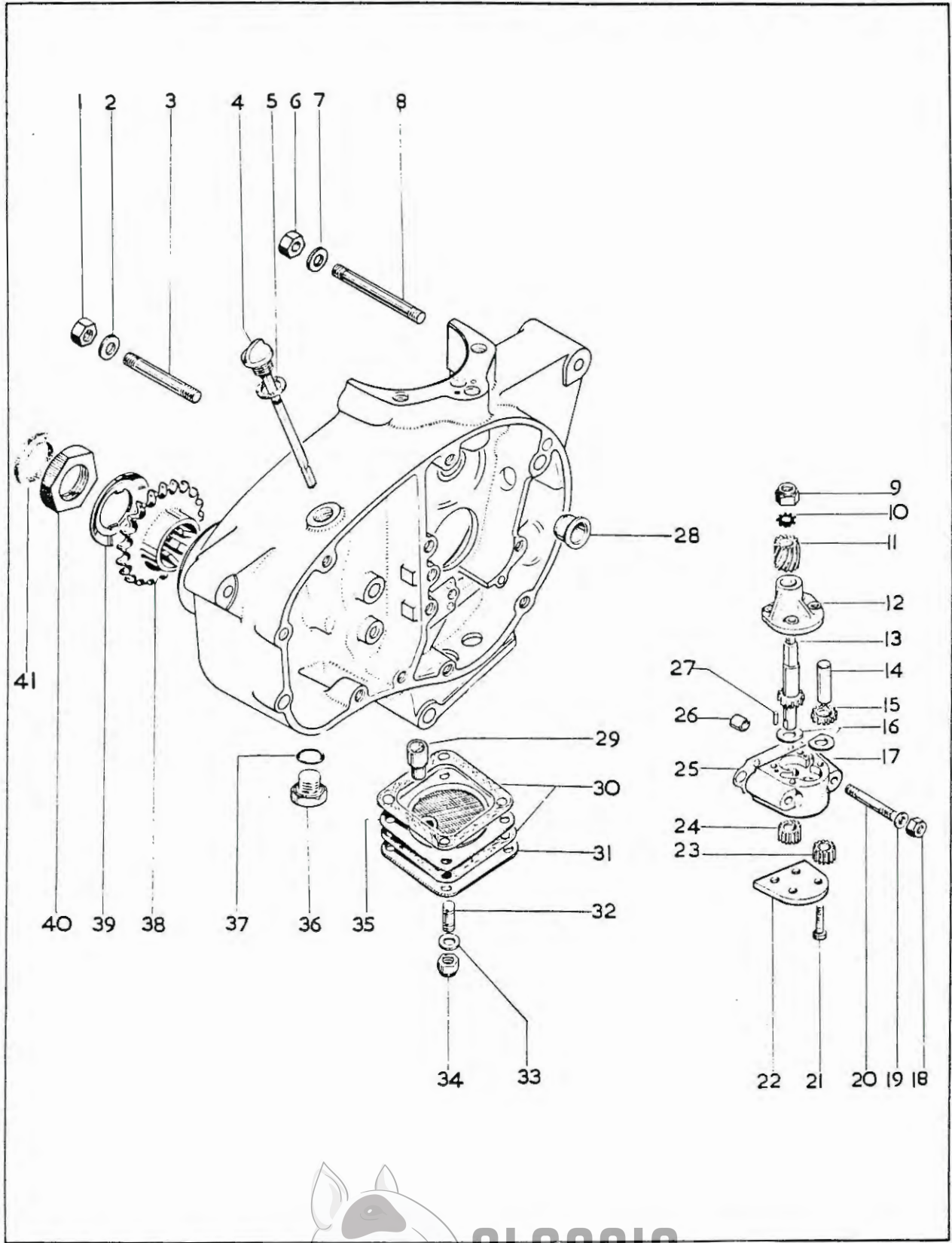


CRANKCASE

Plate Ref.	Spares No.	Description	Per Set
28.	71-1124	Camshaft complete	1
29.	40-0118	Key, camshaft pinion	1
30.	41-0560	Key, crankshaft pinion	1
31.	37-1798	Nut, crankshaft ($\frac{5}{8}$ " British Standard Fine)	1
32.	40-0455	Lockwasher, crankshaft nut	1
33.	41-0569	Pinion, crankshaft	1
34.	41-0567	Oil pump drive, crankshaft	1
35.	41-0565	Thrust washer, oil pump drive	1
36.	24-0724	Bearing, left-hand (Hoffman R325L)	1
37.	71-1120	Crankcase with fixed fittings	1
38.	14-1901	Nut, chain oiler stud	1
39.	02-0525	Washer, chain oiler bolt ($\frac{1}{4}$ " \times $\frac{1}{2}$ " \times .048")	1
40.	40-0375	Oil pipe, rear chain oiler	1
41.	21-1985*	Stud, rear chain oiler ($\frac{1}{4}$ " Unified Coarse/Unified Fine \times 15 $\frac{1}{8}$ ")	1
42.	68-0383	Rear chain oiler	1
43.	40-0241	Gasket, primary case back	1
44.	40-0246	Screw, primary case back (2 British Association \times $\frac{5}{16}$ ")	6
45.	70-3789	Cover plate, primary case back	1
46.	40-0243	Oil seal, primary case back	1
47.	40-9190	Clip, generator leads	1
48.	21-1894*	Rear stud, stator fixing ($\frac{1}{4}$ " Unified Fine \times $\frac{5}{16}$ " Unified Coarse \times 2-19-32")	1
49.	41-0143	Chain tensioner, primary	1
50.	41-0146	Distance piece, chain tensioner	1
51.	19-8019	Generator rotor (Lucas 54213901)	1
52.	19-1262	Generator stator (Lucas 47205)	1
53.	29-2054	Washer, rotor fixing	1
54.	29-2053	Nut, rotor fixing	1

*Special material: 5.—EN8. 6.—EN14B. 25.—EN8R. 41.—EN14B. 48.—EN14B.



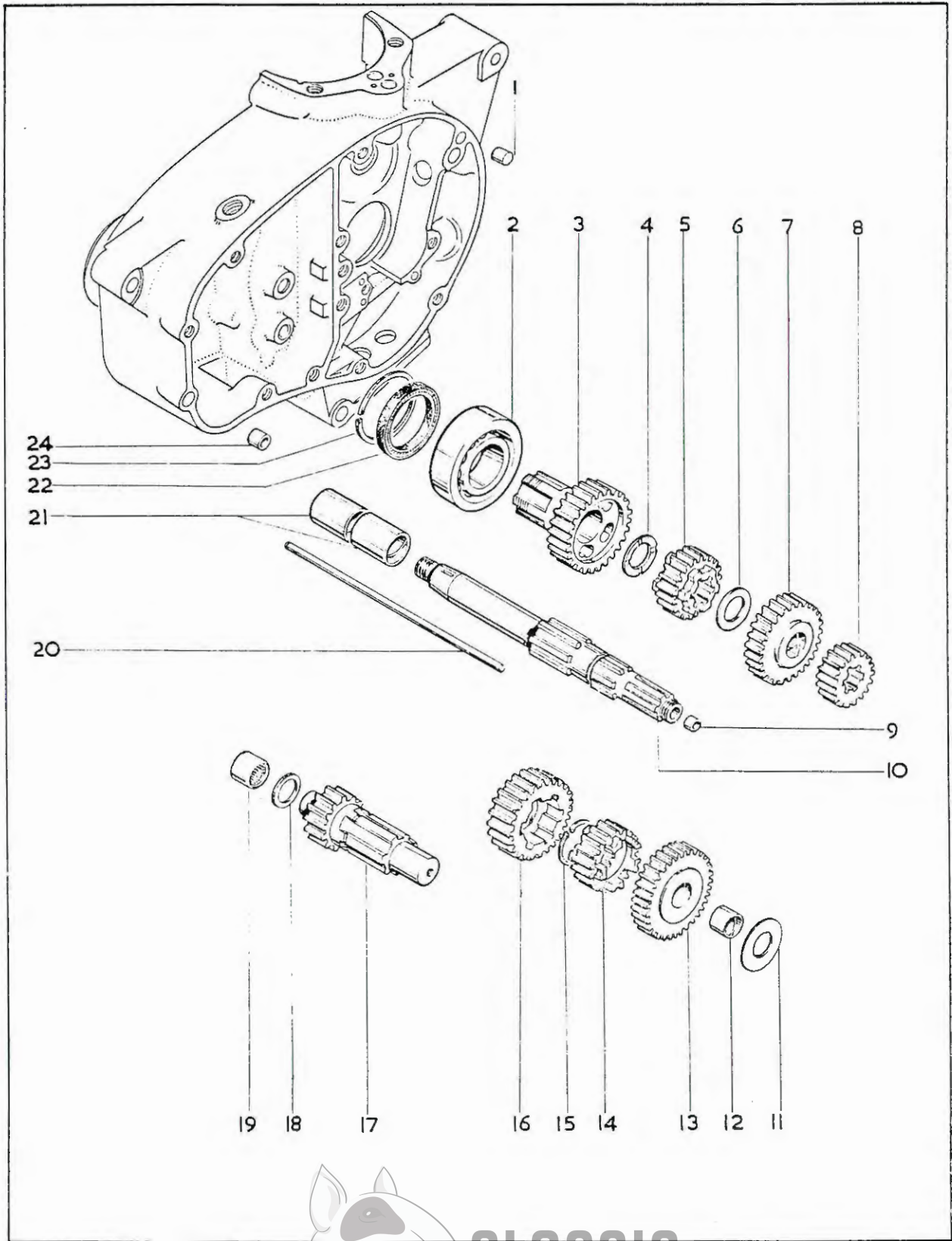


OIL PUMP, GEARBOX SPROCKET

Plate Ref.	Spares No.	Description	Per Set
1.	14-0302	Nut. crankcase stud ($\frac{5}{16}$ " Unified Fine)	2
2.	02-0923	Washer for nut, line 1 ($\frac{5}{16}$ " \times $\frac{5}{8}$ " \times $\frac{1}{16}$ ")	2
3.	21-1890	Crankcase stud, rear ($\frac{5}{16}$ " Unified Fine/Unified Coarse \times 2-11/16")	2
4.	40-1033	Gearbox dipstick	1
5.	57-0948	Dipstick washer	1
6.	14-0302	Nut. crankcase stud ($\frac{5}{16}$ " Unified Fine)	2
7.	02-0923	Washer for nut, line 6 ($\frac{5}{16}$ " \times $\frac{5}{8}$ " \times $\frac{1}{16}$ ")	2
8.	21-1889	Crankcase stud (top)	2
9.	40-0414	Nut. oil pump spindle ($\frac{1}{4}$ " British Standard Cycle) ..	1
10.	29-0541	Lockwasher, oil pump spindle	1
11.	41-0603	Oil pump driving gear	1
12.	71-1139	Oil pump spindle housing	1
13.	71-1141	Oil pump driving spindle	1
14.	71-1147	Oil pump driven spindle	1
15.	41-0713	Oil pump feed gear (driven)	1
16.	41-0714	Oil pump thrust washer	2
17.	71-1136	Oil pump body	1
18.	14-1901	Nut. oil pump mounting ($\frac{1}{4}$ " Unified Fine)	2
19.	68-0938	Washer, oil pump mounting ($\frac{17}{64}$ " \times $\frac{5}{8}$ " \times $\frac{1}{16}$ ")	2
20.	21-1893*	Stud. oil pump mounting ($\frac{1}{4}$ " Unified Fine/Unified Coarse \times 2- $\frac{1}{16}$ ")	2
21.	41-0609	Screw, oil pump cover plate ($\frac{3}{16}$ " British Standard Cycle \times 1- $\frac{5}{16}$ ")	4
22.	67-1391	Oil pump cover plate	1
23.	41-0605	Oil pump scavenge gear (driven)	1
24.	71-1143	Oil pump scavenge gear (driver)	1
25.	41-0804	Oil pump gasket	1
26.	41-0706	Dowel, oil pump	2
27.	71-1148	Dowel, oil pump body	2
28.	70-8315	Camshaft bush	1
29.	41-0624	Scavenge valve complete	1
30.	67-1288	Scavenge cover gasket	2
31.	67-1286	Scavenge cover	1
32.	14-1401	Stud. scavenge cover ($\frac{1}{4}$ " Unified Fine/Unified Coarse \times 1")	4
33.	02-0525	Washer, scavenge cover ($\frac{1}{4}$ " \times $\frac{1}{2}$ " \times .048")	4
34.	14-1901	Locknut, scavenge cover ($\frac{1}{4}$ " Unified Fine)	4
35.	70-9979	Crankcase filter assembly	1
36.	21-1857	Drain plug, gearbox ($\frac{1}{2}$ " Unified Coarse)	1
37.	68-3168	"O" ring, drain plug	1
38.	41-3092	Gearbox sprocket (17 teeth)	1
39.	40-3121	Lockwasher, gearbox sprocket	1
40.	40-3051*	Nut. gearbox sprocket (1- $\frac{1}{16}$ " \times 20 threads per inch, Whitworth)	1
41.	90-6074	Felt washer, gearbox sprocket	1
	71-1134	Oil pump complete	1

*Special material: 20.--EN14B. 40.—FN8.

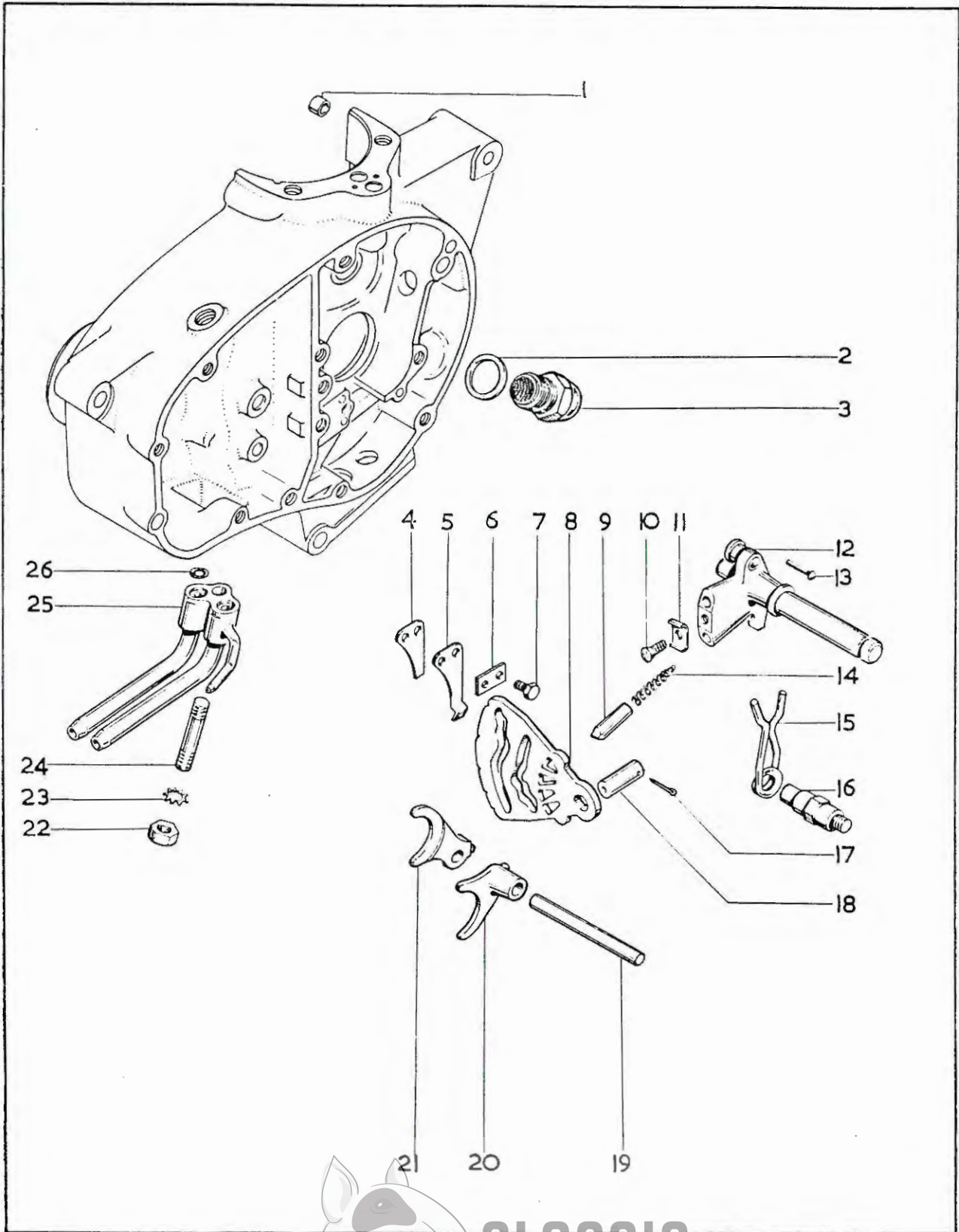




GEAR CLUSTER

Plate Ref.	Spares No.	Description	Per Set
1.	40-0394	Dowel, inner cover to crankcase	2
2.	29-3857	Mainshaft bearing (Hoffman 130)	1
3.	57-3872	Pinion, mainshaft top gear (22 teeth)	1
4.	40-3020	Spacer (.093"—.094"; 2.3622—2.3876 mm.).. .. .	as reqd.
4.	40-3126	Spacer (.098"—.099"; 2.4892—3.1146 mm.).. .. .	as reqd.
4.	40-3127	Spacer (.103"—.104"; 2.6162—2.6416 mm.).. .. .	as reqd.
5.	57-3876	Pinion, layshaft second gear (21 teeth)	1
6.	40-3019	Spacer (.075"—.076"; 1.905—1.9304 mm.)	as reqd.
6.	40-3119	Spacer (.070"—.071"; 1.778—1.8034 mm.)	as reqd.
6.	40-3120	Spacer (.080"—.081"; 2.032—2.0574 mm.)	as reqd.
7.	41-3063	Pinion, mainshaft third gear (24 teeth)	1
8.	41-3089	Pinion, mainshaft first gear (16 teeth).. .. .	1
9.	40-3007	Mainshaft bush, push rod	1
10.	40-3254	Mainshaft with bush	1
11.	40-3258	Layshaft shim	1
12.	40-3262	Bush, layshaft first gear	1
13.	57-3874	Pinion, layshaft first gear (27 teeth)	1
14.	57-3877	Pinion, layshaft third gear (19 teeth)	1
15.	41-3078	Layshaft circlip	1
16.	41-3070	Pinion, layshaft second gear (22 teeth)	1
17.	41-3068	Layshaft with top gear (14 teeth)	1
18.	41-3074	Thrust washer (.083"—.085"; 2.1082—2.159 mm.).. .. .	as reqd.
18.	41-3072	Thrust washer (.078"—.080"; 1.9812—2.032 mm.).. .. .	as reqd.
19.	40-3292	Layshaft bearing (Torrington B108)	1
20.	40-3265	Clutch push rod	1
21.	41-3045	Bush, mainshaft top gear	2
22.	41-3054	Mainshaft oil seal	1
23.	70-6026	Circlip, mainshaft oil seal	1
24.	66-3074	Dowel, crankcase, inner cover	2



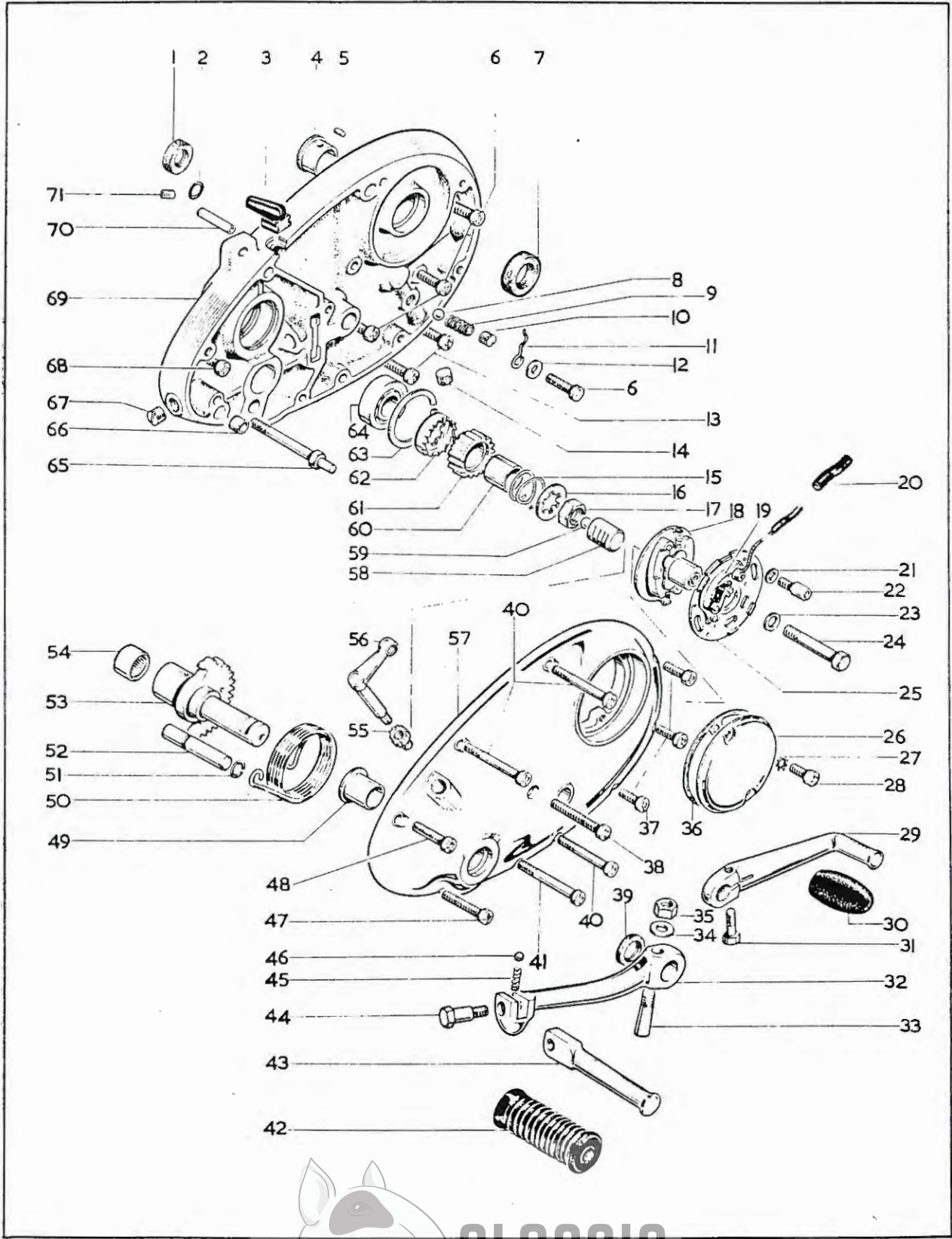


GEARCHANGE MECHANISM

Plate Ref.	Spares No.	Description	Per Set
1.	67-1236	Crankcase dowel	1
2.	70-9737	Pressure release valve washer	1
3.	71-1327	Pressure release valve assembly	1
4.	40-3043	Spring plate	1
5.	40-3042	Cam plate spring	1
6.	40-3045	Lock plate for screw, line 7	1
7.	40-3044	Screw, cam plate spring (2 British Association $\times \frac{3}{8}$ ")	2
8.	57-3850	Cam plate, gearchange	1
9.	40-3193	Plunger, gearchange quadrant	2
10.	40-3323	Screw, plunger keeper plate (5 British Association $\times \frac{5}{16}$ ")	1
11.	40-3194	Keeper plate, gearchange quadrant	1
12.	40-3321	Gearchange quadrant complete	1
13.	40-3059	Rivet, plunger spring	2
14.	40-3155	Plunger spring	2
15.	40-3061	Gearchange return spring	1
16.	57-3763	Anchor bolt, return spring	1
17.	60-2724	Split pin, cam plate spindle ($3/32" \times 1"$)	1
18.	40-3291	Cam plate spindle	1
19.	40-3032	Selector fork spindle	1
20.	40-3033	Layshaft selector fork	1
21.	57-3854	Mainshaft selector fork	1
22.	14-0302	Nut, oil pipe union stud ($\frac{5}{16}$ " Unified Fine)	1
23.	36-0382	Lockwasher, union stud	1
24.	21-1891	Stud, oil pipe union ($\frac{5}{16}$ " Unified Fine/Unified Coarse $\times 1\frac{7}{8}$ ")	1
25.	40-1035	Crankcase oil pipe union	1
26.	70-8259	"O" ring, oil union pipe	2



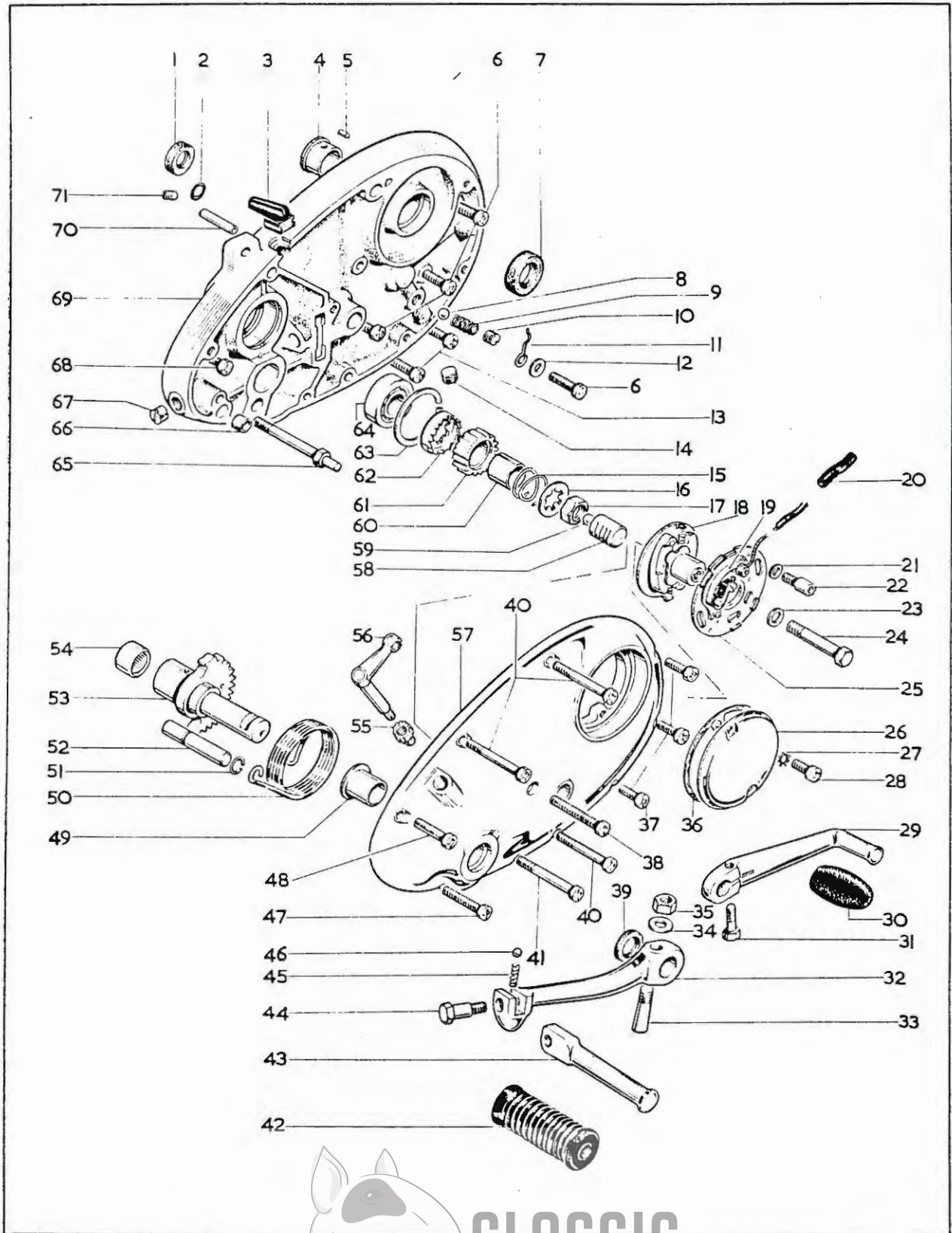
Plate 7



FOOTSTART AND FOOTCHANGE

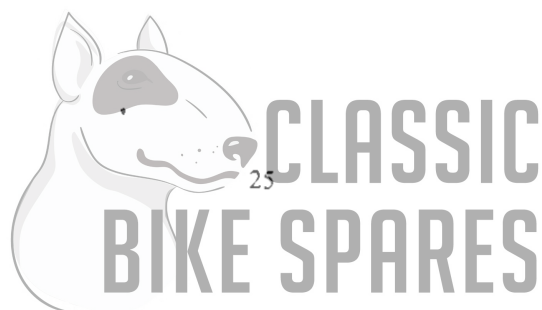
Plate Ref.	Spares No.	Description	Per Set
1.	40-0977	Oil seal, crankshaft	1
2.	68-0289	"O" ring, inner cover	1
3.	41-0715	Grommet, contact breaker cable	1
4.	40-0222	Camshaft bush	1
5.	40-0028	Camshaft bush peg	1
6.	14-6610	Screw, inner cover to crankcase ($\frac{1}{4}$ " Unified Coarse \times $1\frac{1}{2}$ ")	4
7.	40-0679	Camshaft oil seal	1
8.	97-2704	Steel ball, non-return valve ($\frac{1}{4}$ " diameter)	1
9.	40-0385	Spring, non-return valve	1
10.	21-1898	Plug, non-return valve	1
11.	90-5268	Clip, contact breaker leads	1
12.	02-0525	Washer, contact breaker lead clip	1
13.	14-6606	Bottom screw, inner cover ($\frac{1}{4}$ " Unified Coarse \times $\frac{3}{4}$ ")	2
14.	70-9526	Sealing plug	2
15.	40-3273	Spring, kickstart ratchet	1
16.	40-3257	Mainshaft lockwasher	1
17.	76-0271	Mainshaft nut	1
18.	19-1853	Auto-advance unit (Lucas 54419653)	1
19.	19-1849	Contact set (Lucas 54419827)	1
20.	40-0723	Contact breaker lead sleeve	1
21.	40-0682	Washer, contact breaker plate	2
22.	40-0683	Pillar bolt, contact breaker plate	2
23.	68-0331	Washer, auto-advance unit	1
24.	14-0208	Bolt, auto-advance unit	1
25.	19-1852	Contact breaker plate (Lucas 54419645)	1
26.	70-8737	Contact breaker cover	1
27.	29-3319	Lockwasher, cover screw	2
28.	70-7354	Screw, contact breaker cover (2 British Association \times $\frac{1}{2}$ ")	2
29.	40-3073	Gearchange lever	1
30.	89-3208	Rubber, gearchange pedal	1
31.	42-6554	Bolt, gearchange pedal ($\frac{1}{4}$ " British Standard Cycle \times $\frac{3}{4}$ ")	1
32.	57-2764	Kickstart lever complete	1
33.	02-2579	Cotter, kickstart lever	1
34.	02-2580	Washer, kickstart lever cotter ($\frac{9}{32}$ " \times $\frac{1}{2}$ " \times $\frac{1}{8}$ ")	1
35.	02-2578	Nut, kickstart lever cotter (.266" British Standard Cycle)	1
36.	70-7882	Gasket, contact breaker cover	1

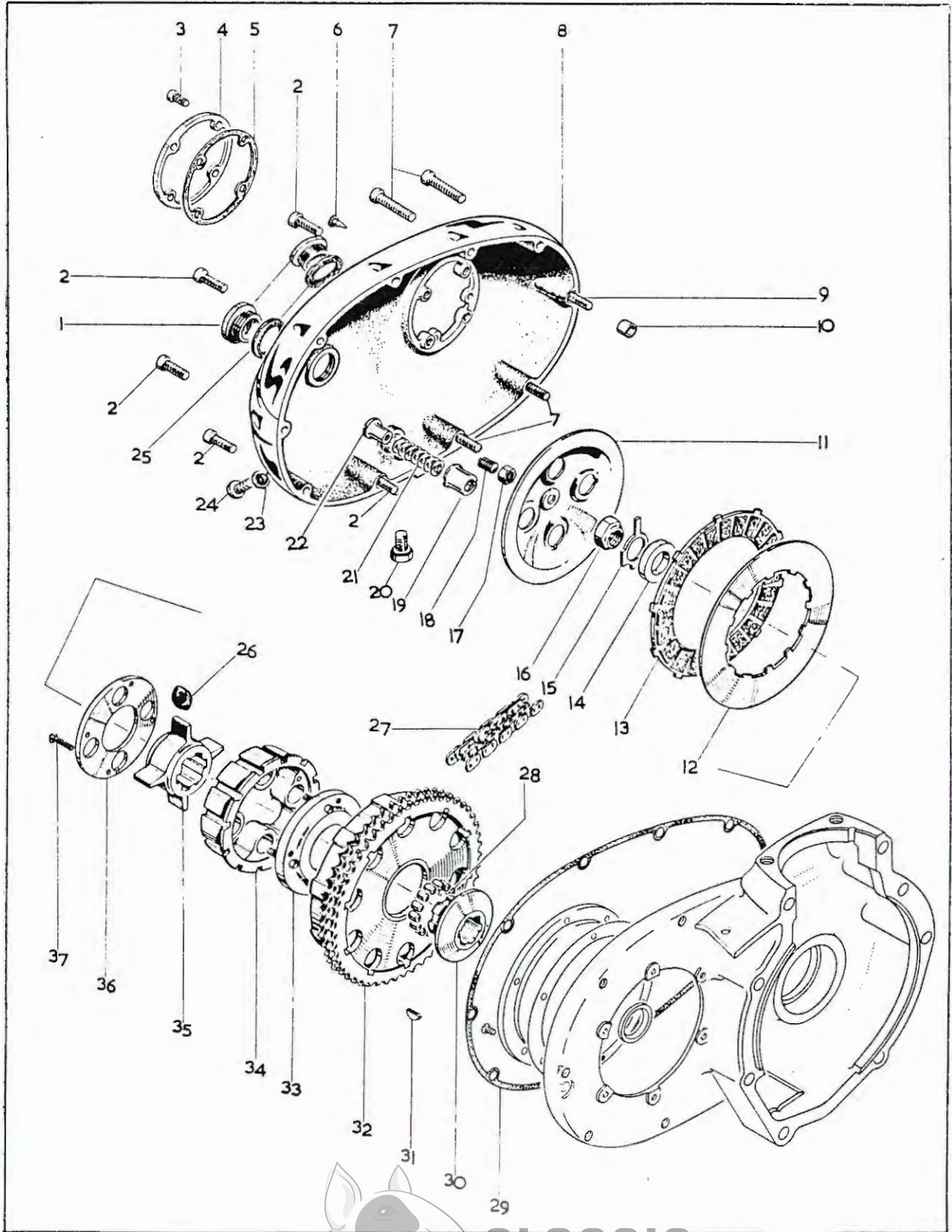




FOOTSTART AND FOOTCHANGE

Plate Ref.	Spares No.	Description	Per Set
37.	40-0236	Screw, outer cover (2 British Association $\times \frac{5}{8}$ "	3
38.	14-6611	Screw, outer cover ($\frac{1}{4}$ " Unified Coarse $\times 1\frac{3}{4}$ "	1
39.	57-2641	Oil seal, kickstart spindle	1
40.	14-6612	Screw, outer cover ($\frac{1}{4}$ " Unified Coarse $\times 2$ "	3
41.	14-6614	Screw, outer cover ($\frac{1}{4}$ " Unified Coarse $\times 2\frac{1}{2}$ "	1
42.	57-2759	Pedal rubber, kickstart lever	1
43.	57-2646	Folding pedal, kickstart lever	1
44.	40-3084	Bolt, kickstart folding pedal ($\frac{5}{16}$ " British Standard Cycle $\times 1\frac{3}{16}$ "	1
45.	40-3085	Spring, kickstart folding pedal	1
46.	97-2704	Ball, kickstart folding pedal ($\frac{1}{4}$ " diameter)	1
47.	14-6610	Screw, outer cover ($\frac{1}{4}$ " U.N.C. $\times 1\frac{1}{2}$ "	1
48.	14-6606	Screw, outer cover ($\frac{1}{4}$ " Unified Coarse $\times \frac{3}{4}$ "	1
49.	57-2642	Bush, kickstart spindle	1
50.	40-3275	Return spring, kickstart lever	1
51.	40-3277	Cirelip, kickstart quadrant stop	1
52.	40-3276	Kickstart quadrant stop	1
53.	57-4070	Kickstart spindle complete	1
54.	40-3292	Bearing, kickstart spindle (Torrington B108)	1
55.	40-3283	Pinion, clutch operating lever	1
56.	57-2750	Clutch lever complete	1
57.	70-9433	Outer timing cover	1
58.	40-3282	Rack, clutch operating	1
59.	65-2593	Ball, clutch push rod thrust ($\frac{7}{32}$ " diameter)	1
60.	40-3272	Bush, kickstart ratchet pinion	1
61.	40-3271	Kickstart ratchet pinion	1
62.	40-3279	Kickstart ratchet	1
63.	76-0528	Cirelip, mainshaft bearing	1
64.	90-0011	Bearing, gearbox mainshaft (Hoffman L27)	1
65.	57-3764	Anchor bolt, kickstart return spring	1
66.	66-3074	Dowel, outer to inner cover	1
67.	21-1899	Screwed plug, inner cover	1
68.	14-6608	Screw, inner cover ($\frac{1}{4}$ " Unified Coarse $\times 1$ "	1
69.	71-1060	Inner cover complete	1
70.	75-0257	Breather pipe, inner cover	1
71.	53-3049	Plug, mainshaft oil feed	1

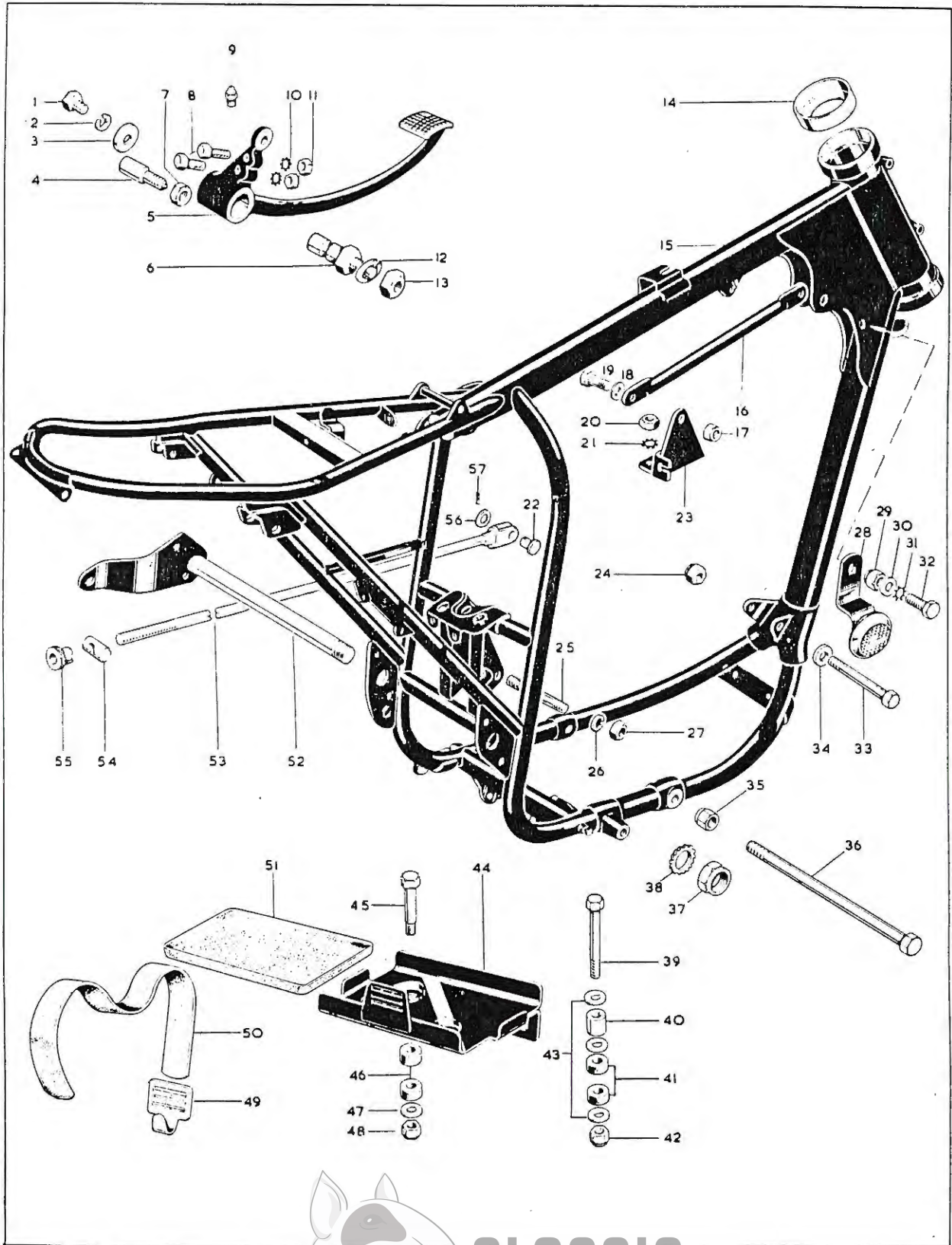




CLUTCH AND PRIMARY COVER

Plate Ref.	Spares No.	Description	Per Set
1.	57-2166	Screwed plug, primary cover	1
1.	70-9800	Screwed breather plug, primary cover	1
2.	14-6610	Primary cover screw, short ($\frac{1}{4}$ " Unified Coarse \times $1\frac{1}{2}$ ")	5
3.	76-4116	Inspection cover screw (2 British Association \times $\frac{1}{2}$ ")	4
4.	68-0839	Timing inspection cover	1
5.	68-0840	Gasket, inspection cover	1
6.	40-1005	Ignition timing pointer	1
7.	14-6611	Primary cover screw, long ($\frac{1}{4}$ " Unified Coarse \times $1\frac{3}{4}$ ")	4
8.	71-1058	Primary cover assembly	1
9.	21-1951	Primary cover screw, dowel hole ($\frac{1}{4}$ " Unified Cycle \times $1\frac{7}{8}$ ")	1
10.	66-3074	Dowel, primary cover to crankcase	2
11.	57-4019	Clutch pressure plate	1
12.	40-3220	Clutch driven plate	5
13.	40-3233	Clutch driving plate	4
14.	40-3234	Spacing washer	1
15.	40-3221	Lockwasher for nut, line 16	1
16.	40-3227	Clutch retaining nut	1
17.	02-2395	Nut, clutch adjusting screw ($\frac{1}{4}$ " British Standard Cycle)	1
18.	40-3230	Clutch adjusting screw ($\frac{1}{4}$ " British Standard Cycle \times $\frac{5}{8}$ ")	1
19.	57-3951	Clutch spring cup	4
20.	21-1943	Primary case drain plug	1
21.	41-3091	Clutch spring	4
22.	41-3215	Clutch spring nut	4
23.	71-1065	Washer, oil level screw	1
24.	21-2002	Oil level screw	1
25.	70-8782	Washer for screwed plugs, line 1	2
26.	41-3212	Rubber pad, drive and rebound	8
27.	19-8683	Primary chain (72 teeth)	1
28.	40-3206	Clutch roller	25
29.	70-7856	Gasket, primary cover	1
30.	40-3201	Clutch hub	1
31.	40-3150	Clutch hub key	1
32.	40-3203	Clutch chainwheel	1
33.	40-3207	Retaining plate (inner)	1
34.	41-3210	Clutch centre	1
35.	41-3209	Clutch spider	1
36.	40-3210	Retaining plate (outer)	1
37.	40-3330	Screw, inner and outer retaining plates (1 " British Association \times $15/16$ ")	1
	57-4017	Clutch assembly complete	1





FRAME, BATTERY CARRIER, REAR BRAKE CONTROL

Plate Ref.	Spares No.	Description	Per Set
1.	40-6030*	Bolt, brake pedal fulcrum ($\frac{3}{8}$ " British Standard Cycle $\times \frac{3}{4}$ ")	1
2.	03-0111	Spring washer for bolt, line 1	1
3.	30-0196	Washer, brake pedal pivot	1
4.	82-9958	Stop peg, brake pedal	1
5.	47-7013	Brake pedal	1
6.	41-7007	Brake fulcrum pin	1
7.	14-0702	Nut, brake pedal stop peg ($\frac{5}{16}$ " Unified Fine)	1
8.	47-7003	Bolt, brake pedal ($\frac{1}{4}$ " British Standard Cycle)	2
9.	28-2080	Grease nipple, brake pedal	1
10.	29-0541	Lockwasher, brake pedal	2
11.	02-1027	Nut, brake pedal ($\frac{1}{4}$ " British Standard Cycle)	2
12.	02-1967	Spring washer, fulcrum pin ($\frac{7}{16}$ " $\times \frac{5}{16}$ " $\times \frac{1}{16}$ ")	1
13.	02-1925	Nut, fulcrum pin ($\frac{7}{16}$ " British Standard Cycle)	1
14.	66-4149	Steering head cup	2
15.	82-9214	Frame complete	1
16.	40-0948	Engine steady stay	1
17.	42-4475	Nut, steady stay to frame and bracket ($\frac{3}{8}$ " British Standard Cycle)	2
18.	02-2138	Washer, steady stay to frame and bracket ($\frac{3}{8}$ " $\times \frac{3}{4}$ " $\times \frac{1}{16}$ ")	2
19.	75-4813	Bolt, steady stay to frame and bracket ($\frac{3}{8}$ " British Standard Cycle)	2
20.	02-0049	Nut, bracket to head ($\frac{5}{16}$ " British Standard Cycle)	2
21.	36-0382	Lockwasher, bracket to head ($\frac{5}{16}$ ")	2
22.	83-1460	Pivot pin, brake rod	1
23.	41-0175	Steady bracket	1
24.	42-4475	Nut, front engine bolt ($\frac{3}{8}$ " British Standard Cycle)	1
25.	40-4077*	Rear engine stud ($\frac{3}{8}$ " British Standard Cycle $\times 2-9/16$ ")	1
26.	02-0522	Spring washer, engine stud ($\frac{3}{8}$ " $\times \frac{3}{4}$ " $\times .056$ ")	2
27.	02-0046	Nut, rear engine stud ($\frac{3}{8}$ " British Standard Cycle)	2
28.	19-1035	Side reflector (Lucas 57162A)	2
29.	42-4475	Nut, reflector mounting ($\frac{3}{8}$ " British Standard Cycle)	1
30.	02-2138	Washer, reflector mounting ($\frac{3}{8}$ " $\times \frac{3}{4}$ " $\times \frac{1}{16}$ ")	1



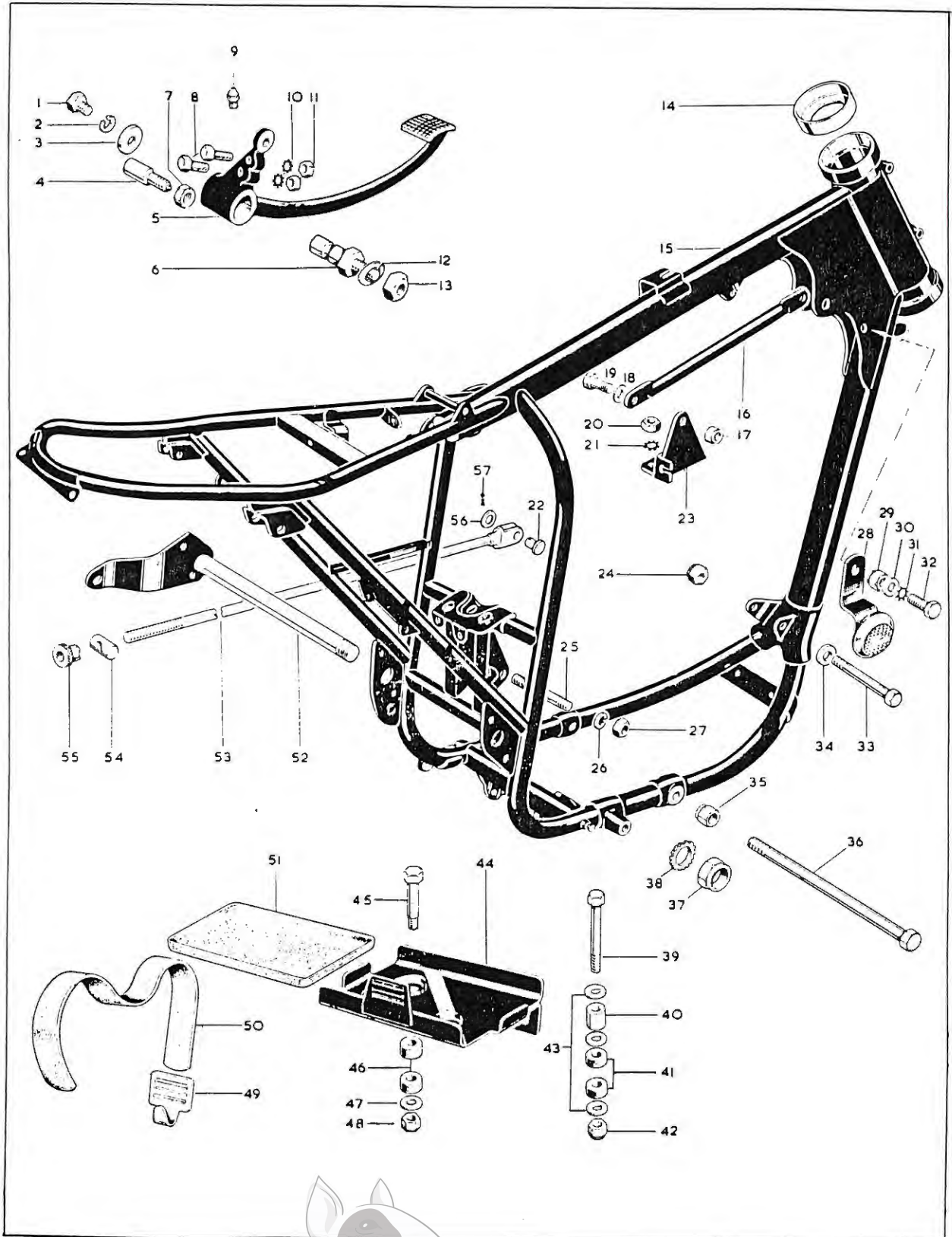


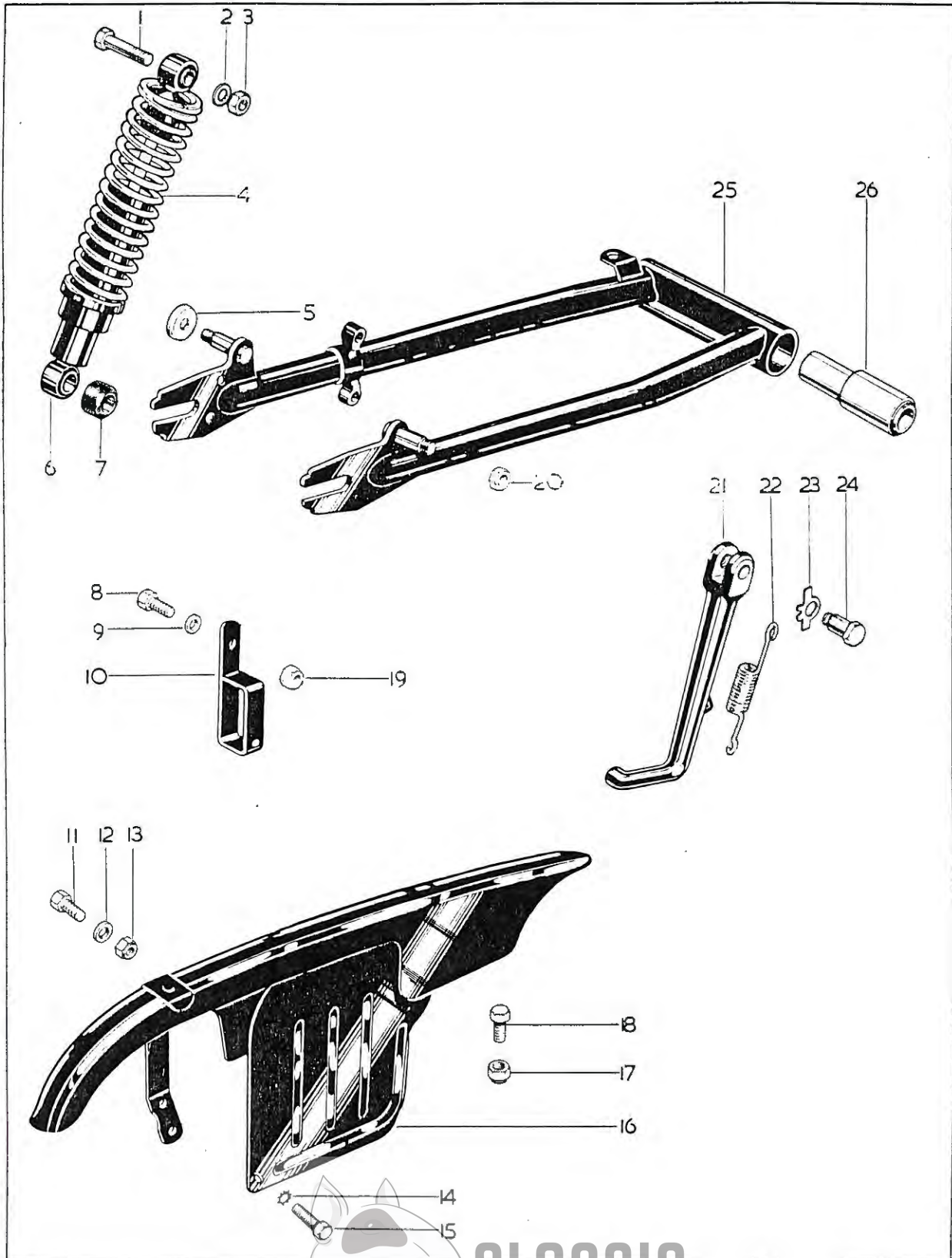
Plate 9--continued

FRAME, BATTERY CARRIER, REAR BRAKE CONTROL

Plate Ref.	Spares No.	Description	Per Set
31.	66-4705	Lockwasher, reflector mounting	1
32.	75-4813	Bolt, reflector mounting ($\frac{3}{8}$ " British Standard Cycle)	1
33.	40-4081*	Front engine bolt ($\frac{3}{8}$ " British Standard Cycle \times 3-13/16")	1
34.	02-2138	Spacer, front and bottom engine bolts	2
35.	14-0803	Nut, bottom engine bolt ($\frac{3}{8}$ " Unified Fine)	1
36.	21-1934*	Bottom engine bolt ($\frac{3}{8}$ " Unified Fine \times 7-15/16")	1
37.	42-4343	Nut, swinging arm spindle (13/16" British Standard Cycle)	1
38.	42-4364	Lockwasher, spindle nut.. .. .	1
39.	65-8326	Bolt, battery carrier ($\frac{3}{8}$ " British Standard Cycle \times 3")	1
40.	90-4294	Spacer, battery carrier	1
41.	40-4524	Rubber, battery carrier	2
42.	42-4475	Nut, battery carrier ($\frac{3}{8}$ " British Standard Cycle)	1
43.	30-0733	Washer, battery carrier ($\cdot 390$ " \times $\frac{7}{8}$ " \times $\frac{1}{16}$ "")	3
44.	82-8285	Battery carrier	1
45.	40-4530	Bolt, battery carrier ($\frac{5}{16}$ " British Standard Cycle)	2
46.	40-4524	Rubber, battery carrier	4
47.	82-9008	Washer, battery carrier	2
48.	42-4476	Nut, battery carrier ($\frac{5}{16}$ " British Standard Cycle)	2
49.	82-9004	Strap hook	1
50.	68-4577	Battery strap	1
51.	68-4597	Battery tray	1
52.	47-4214	Swinging arm spindle assembly	1
53.	41-7037	Brake rod	1
54.	65-6274	Swivel pin, brake rod	1
55.	90-7029	Brake rod adjuster	1
56.	02-0525	Washer, brake rod pivot pin	1
57.	60-2683	Split pin, brake rod pivot	1

*Special material: 1.—EN14B. 25.—EN15. 33.—EN14B. 36.—EN15R.



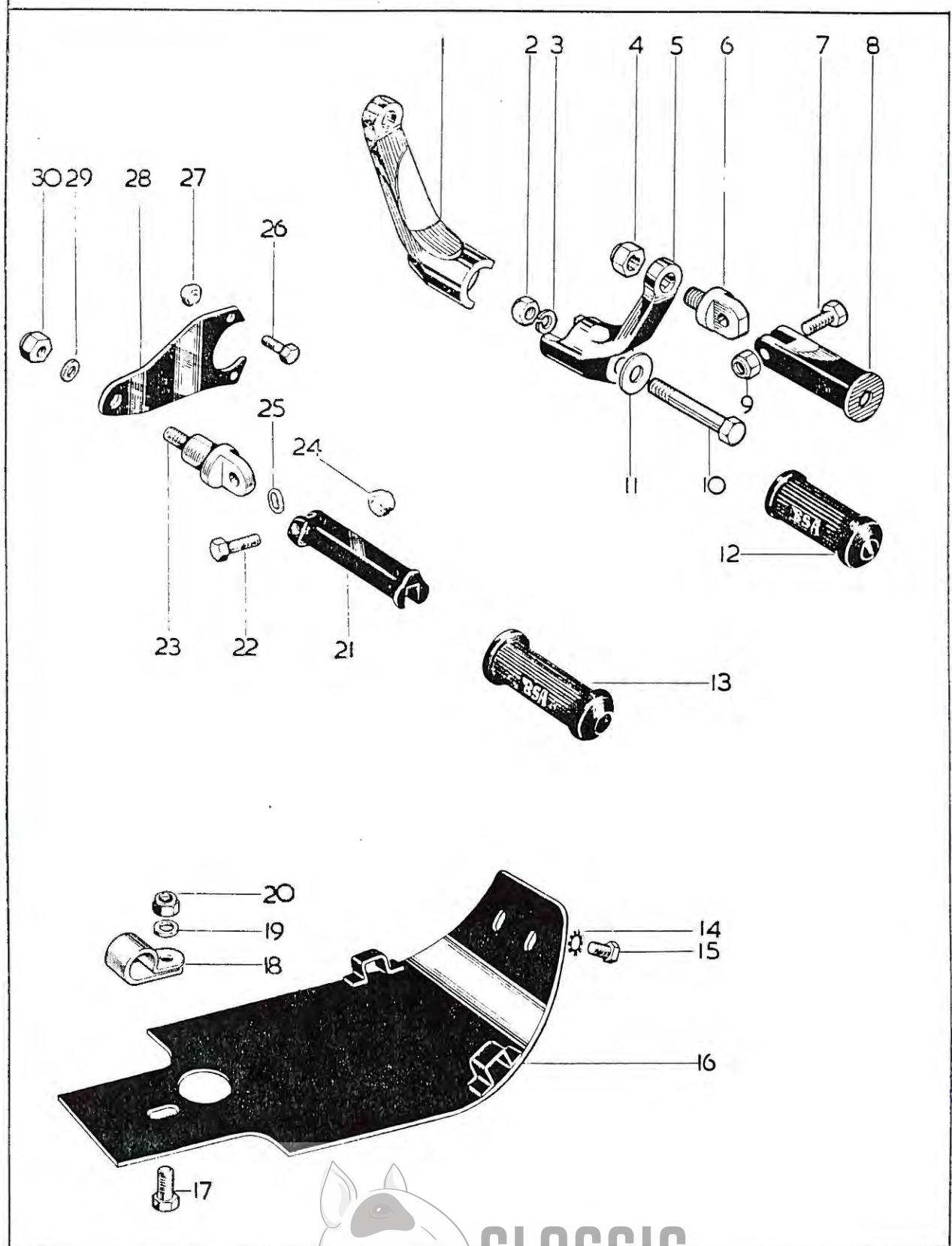


SWINGING ARM

Plate Ref.	Spares No.	Description	Per Set
1.	40-6910*	Bolt, damper top ($\frac{3}{8}$ " British Standard Cycle \times $1\frac{1}{8}$ ")	2
2.	02-1733	Washer, damper top ($\frac{3}{8}$ " \times $13/16$ " \times $\frac{1}{16}$ ")	2
3.	02-0449	Nut, damper top ($\frac{3}{8}$ " British Standard Cycle)	2
4.	19-7441	Spring only, rear damper (Girling 64543708)	2
5.	82-8933	Dust cover, damper bottom	2
6.	19-7452	Rear damper complete (Girling 4644).. .. .	2
7.	19-5305	Damper bush, top (Girling 64533645).. .. .	2
7.	19-5307	Damper bush, bottom (Girling 64533654)	2
8.	67-1171*	Bolt, chain guide and anchor strap ($\frac{3}{8}$ " British Standard Cycle \times $1\frac{5}{16}$ ")	1
9.	02-0861	Washer, chain guide and anchor strap ($\frac{3}{8}$ " \times $\frac{3}{4}$ " \times $3/32$ ")	1
10.	82-9953	Chain guide	1
11.	14-0113	Bolt, chain guard to swinging arm ($\frac{5}{16}$ " Unified Fine \times $5\frac{1}{8}$ ")	1
12.	02-2138	Washer, chain guard to swinging arm ($\frac{3}{8}$ " \times $\frac{3}{4}$ " \times $\frac{1}{16}$ ")	1
13.	14-1902	Nut, chain guard to swinging arm ($\frac{5}{16}$ " Unified Fine)	1
14.	29-3319	Lockwasher, chain guard extension ($\frac{1}{16}$ ")	1
15.	40-0246	Bolt, chain guard extension (2 British Association \times $\frac{5}{16}$ ")	1
16.	82-9952	Chain guard	1
17.	40-0414	Nut, chain guard front to swinging arm ($\frac{1}{4}$ " British Standard Cycle)	1
18.	02-0220	Bolt, chain guard front to swinging arm ($\frac{1}{4}$ " British Standard Cycle \times $\frac{3}{8}$ ")	1
19.	41-4105	Nut, chain guide and anchor strap ($\frac{3}{8}$ " British Standard Cycle)	1
20.	14-0903	Nut, damper bottom ($\frac{3}{8}$ " Unified Fine)	2
21.	83-1604	Prop stand leg assembly.. .. .	1
22.	40-4735	Prop stand spring	1
23.	40-4734	Lockwasher, prop stand bolt	1
24.	40-4733*	Pivot bolt, prop stand ($\frac{3}{8}$ " British Standard Cycle \times $1-9/32$ ")	1
25.	82-9210	Swinging arm complete	1
26.	40-4241	Silentbloc, swinging arm.. .. .	2

*Special material: 1.—EN15. 8.—EN15. 24.—EN32B.



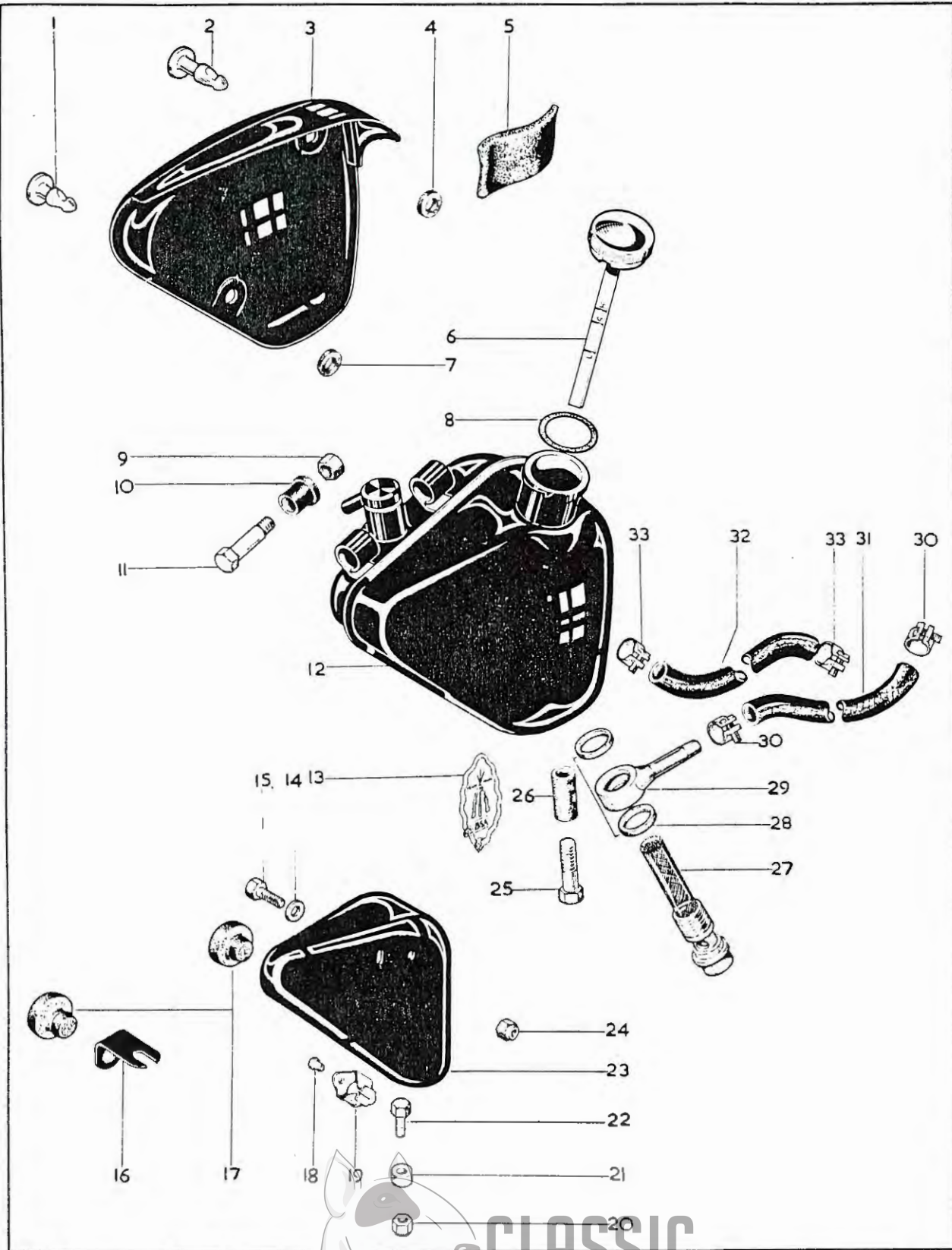


FOOTRESTS, ENGINE SHIELD

Plate Ref.	Spares No.	Description	Per Set
1.	83-1426	Footrest bracket (left-hand)	1
2.	02-0046	Nut for bolt, line 10 ($\frac{3}{8}$ " British Standard Cycle)	2
3.	02-0522	Spring washer for nut, line 2	2
4.	41-4105	Nut, anchor bolt to bracket ($\frac{3}{8}$ " British Standard Cycle)	2
5.	83-1428	Footrest bracket (right-hand)	1
6.	65-4917	Footrest anchor bolt ($\frac{3}{8}$ " British Standard Cycle)	2
7.	29-5293	Footrest pivot bolt ($\frac{5}{16}$ " British Standard Cycle $\times 1\frac{1}{4}$ ")	2
8.	42-4926	Folding footrest	2
9.	42-4476	Nut, pivot bolt ($\frac{5}{16}$ " British Standard Cycle)	2
10.	68-4081	Bolt, bracket to frame	2
11.	27-5676	Washer, bracket bolt	2
12.	82-9608	Folding footrest rubber	2
13.	82-9603	Pillion footrest rubber	2
14.	36-0382	Lockwasher, engine shield	2
15.	14-0113	Bolt, engine shield	2
16.	82-8819	Engine shield	1
17.	28-2338	Bolt, engine shield clip ($\frac{5}{16}$ " British Standard Cycle $\times 23\frac{32}$ ")	1
18.	47-9010	Clip, engine shield	1
19.	02-0923	Washer, engine shield clip	1
20.	75-6595	Nut, engine shield clip ($\frac{5}{16}$ " British Standard Cycle)	1
21.	68-4835	Pillion footrest	2
22.	29-5293	Pivot bolt, pillion footrest ($\frac{5}{16}$ " British Standard Cycle $\times 1\frac{1}{4}$ ")	2
23.	40-4820	Anchor bolt (left-hand), pillion footrest	1
23.	65-4917	Anchor bolt (right-hand), pillion footrest	1
24.	42-4476	Nut, pivot bolt ($\frac{5}{16}$ " British Standard Cycle)	2
25.	04-2276	End washer, pillion footrest	2
26.	14-0116	Bolt, footrest bracket ($\frac{5}{16}$ " Unified Fine $\times 1$ ")	3
27.	14-0702	Nut, footrest bracket ($\frac{5}{16}$ " Unified Fine)	3
28.	41-4835	Bracket (right-hand), pillion footrest	1
29.	02-2138	Washer, anchor bolt	2
30.	41-4105	Nut, anchor bolt ($\frac{3}{8}$ " British Standard Cycle)	2



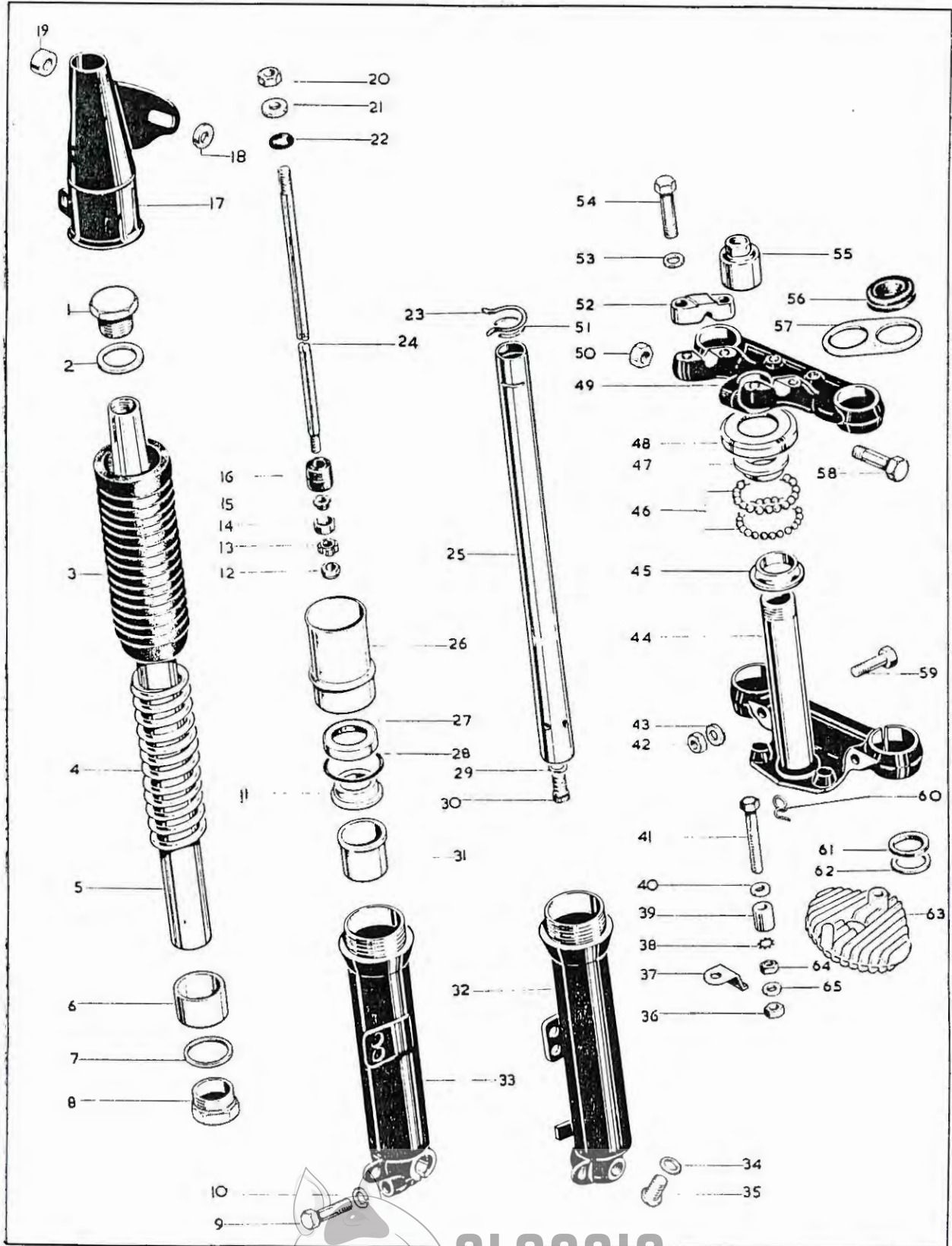
Plate 12



OIL TANK, SIDECOVER, TOOL TRAY

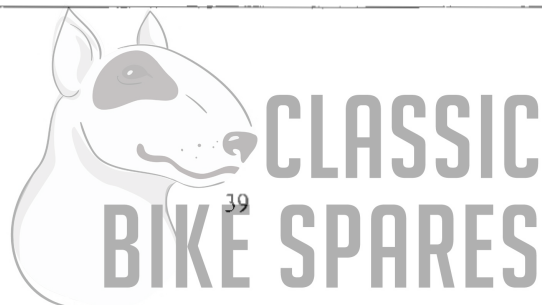
Plate Ref.	Spares No.	Description	Per Set
1.	68-9223	"Oddie" stud (short)	1
2.	68-9287	"Oddie" stud (long)	1
3.	82-8614	Sidecover (left-hand)	1
4.	68-9227	Rubber washer, "Oddie" stud	1
5.	40-9188	Rubber pad, sidecover to frame	1
6.	83-1651	Filler cap/dipstick	1
7.	68-9226	Rubber washer, "Oddie" stud	3
8.	67-0042	Washer, filler cap	1
9.	42-3249	Nut for oil tank, line 11 ($\frac{1}{4}$ " British Standard Cycle)	2
10.	40-8436	Rubber bush, tank mounting	2
11.	40-8435	Bolt, tank mounting ($\frac{1}{4}$ " British Standard Cycle \times $1\frac{3}{4}$ ")	2
12.	83-1648	Oil tank with fixed fittings	1
13.	65-9270	Tank transfer	1
14.	02-0525	Washer, tool tray bolt ($\frac{1}{4}$ " \times $\frac{1}{2}$ " \times .048")	1
15.	02-0220	Bolt, tool tray ($\frac{1}{4}$ " British Standard Cycle \times $\frac{3}{8}$ ")	1
16.	40-9187	Bracket, sidecover pad	1
17.	40-8046	Rubber pad, sidecover	2
18.	68-9337	Rivet, "Oddie" clip	2
19.	68-9115	"Oddie" clip, sidecover	1
20.	40-0414	Nut, tool tray to frame ($\frac{1}{4}$ " British Standard Cycle)	1
21.	15-7563	Spacer, tool tray	1
22.	02-1354	Bolt, tool tray to frame ($\frac{1}{4}$ " British Standard Cycle \times $1\frac{1}{64}$ ")	1
23.	40-9172	Tool tray	1
24.	40-0414	Nut for bolt, line 15 ($\frac{1}{4}$ " British Standard Cycle)	1
25.	21-0771	Bolt, oil tank lower mounting ($\frac{5}{16}$ " Unified Fine \times $1\frac{1}{4}$ ")	1
26.	40-8401	Rubber sleeve, oil tank	1
27.	29-7962	Oil tank filter	1
28.	29-7971	Fibre washer, banjo union	2
29.	82-8874	Banjo union, oil feed	1
30.	68-8382	Clip, oil feed pipe	2
31.	68-8383	Oil feed pipe	1
32.	40-8382	Oil return pipe	1
33.	68-8343	Clip, oil return pipe	2
	60-2041	Sidecover transfer (not illustrated)	1

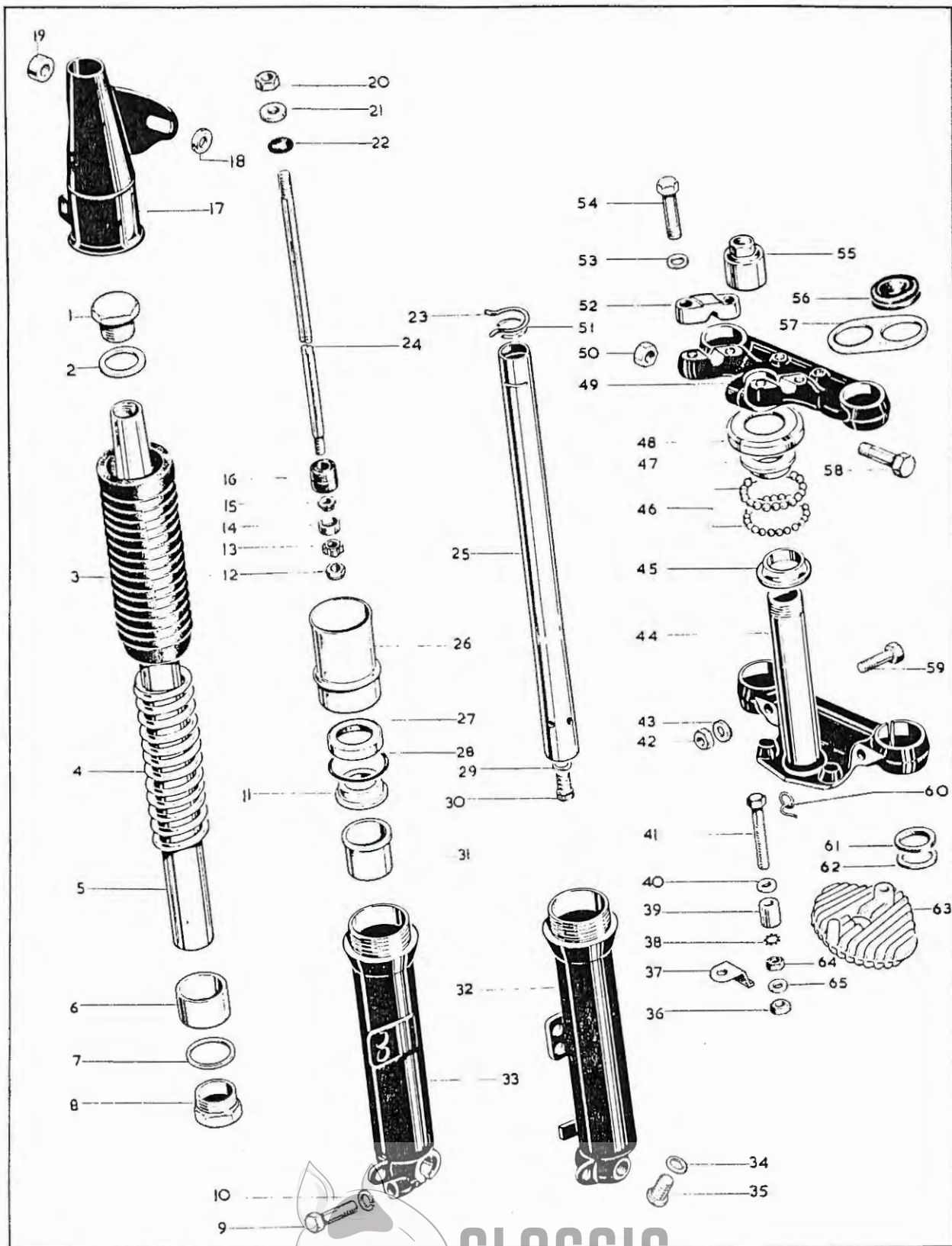




FRONT FORKS

Plate Ref.	Spares No.	Description	Per Set
1.	41-5146	Top cap nut	2
2.	65-5332	Washer, top cap nut	2
3.	97-2513	Fork bellows	2
4.	89-5036	Fork spring	2
5.	97-3905	Fork shaft	2
6.	29-5347	Fork lower bush	2
7.	29-5338	Washer for shaft plug	2
8.	97-2709	Fork shaft plug	2
9.	65-5295	Pinch bolt, lower member ($\frac{3}{8}$ " British Standard Cycle $\times 1\frac{1}{8}$ ")	1
10.	02-2903	Spring washer for bolt, line 9 ($13/32$ " $\times 9/16$ " $\times \frac{1}{16}$ ")	1
11.	68-5134	Spacer, top bearing	2
12.	40-0414	Nut, damper rod ($\frac{1}{4}$ " British Standard Cycle)	2
13.	41-5134	Damper valve seat	2
14.	41-5139	Damper valve	2
15.	41-5140	Damper valve collar	2
16.	41-5144	Damper tube bush	2
17.	97-3693	Fork cover (left-hand)	1
17.	97-3694	Fork cover (right-hand)	1
18.	68-5104	Washer, headlamp mounting	2
19.	97-1932	Spacer, headlamp mounting	2
19.	68-5108	Spacer, headlamp mounting	2
20.	02-0049	Nut, damper rod ($\frac{5}{16}$ " British Standard Cycle)	2
21.	68-5170	Oil seal	2
22.	68-5171	Oil seal retainer	2
23.	41-5135	Outer circlip, damper tube	2
24.	68-5143	Damper rod	2
25.	41-5124	Damper tube	2
26.	97-2514	Oil seal holder	2
27.	65-5451	Fork oil seal	2
28.	97-2682	"O" ring, oil seal holder	2
29.	41-5145	Washer, damper tube bolt (alloy $7/16$ " $\times 21/64$ " $\times 1/32$ ")	2
30.	97-2688	Damper tube bolt ($\frac{5}{16}$ " British Standard Fine $\times \frac{3}{4}$ ")	2
31.	65-5424	Fork top bush	2
32.	97-2564	Sliding tube (right-hand)	1
33.	68-5146	Sliding tube (left-hand)	1





FRONT FORKS

Plate Ref.	Spares No.	Description	Per Set
34.	41-5141	Fork drain plug	2
35.	68-5197	Washer, drain plug	2
36.	75-3144	Nut, heat sink bolt ($\frac{5}{16}$ " British Standard Cycle)	1
37.	68-9429	Diode retaining clip	1
38.	36-0382	Lockwasher, heat sink	1
39.	29-9388	Spacer, heat sink	1
40.	02-0923	Washer, heat sink	1
41.	40-9134	Bolt, heat sink ($\frac{7}{16}$ " British Standard Cycle \times 3")	1
42.	14-0303	Nut for bolt, line 59 ($\frac{3}{8}$ " Unified Fine)	2
43.	02-2138	Washer, pinch bolt nut	2
44.	97-2526	Fork bottom yoke	1
45.	40-5144	Steering bottom cone	1
46.	97-2704	Steel ball, steering head	40
47.	40-5143	Steering top cone	1
48.	40-5145	Top cone dust cover	1
49.	97-2525	Fork top yoke	1
50.	64-6016	Nut for bolt, line 58 ($\frac{3}{8}$ " British Standard Cycle)	1
51.	41-5143	Inner circlip, damper tube	2
52.	65-5333	Handlebar clip	2
53.	15-5155	Washer for bolt, line 54 ($21/64$ " \times $1/2$ " \times .048")	4
54.	68-5056	Bolt, handlebar clip ($\frac{5}{16}$ " British Standard Cycle \times $1\frac{1}{8}$ ")	4
55.	40-5018	Steering head cap nut	1
56.	76-9325	Grommet, guide bracket	2
57.	68-5137	Cable guide bracket	2
58.	27-5135	Pinch bolt, top yoke ($\frac{3}{8}$ " British Standard Cycle)	1
59.	21-0785*	Pinch bolt, bottom yoke ($\frac{3}{8}$ " Unified Fine \times 2-7/16")	2
60.	40-5090	Cable guide clip	1
61.	47-5065	Oil seal	2
62.	47-5064	Oil seal retainer	4
63.	68-9428	Heat sink	1
64.	02-0049	Nut, heat sink bolt ($\frac{5}{16}$ " British Standard Cycle)	1
65.	02-0923	Washer, heat sink ($\frac{5}{16}$ " \times $5/8$ " \times $1/16$ ")	1
	97-3903	Front fork complete	1

*Special material: 59.—EN15.



Plate 14

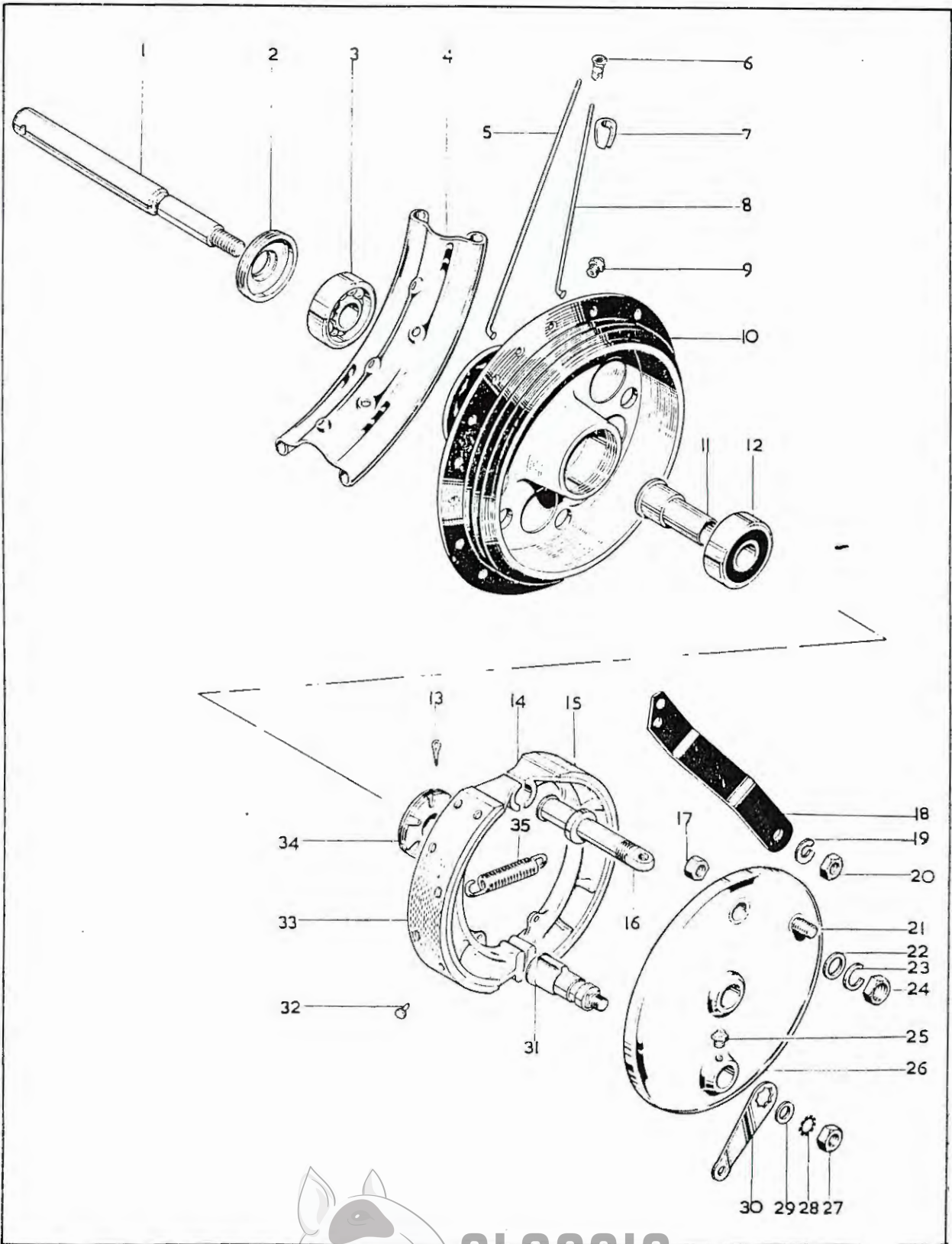


Plate 14

FRONT WHEEL

Plate Ref.	Spares No.	Description	Per Set
1.	67-5566	Wheel spindle	1
2.	68-5551	Bearing retainer (left-hand)	1
3.	41-6016	Bearing (Hoffman LS9RS)	1
4.	68-5556	Wheel rim (WM2-19)	1
5.	67-5545	Spoke (long)	20
6.	27-6810	Spoke nipple	40
7.	42-5873	Balance weight ($\frac{3}{4}$ ")	as reqd.
7.	42-5875	Balance weight (1")	as reqd.
8.	67-5544	Spoke (short)	20
9.	28-2080	Hub grease nipple	1
10.	68-5535	Hub with spindle and bearings	1
11.	67-5565	Spindle sleeve	1
12.	41-6016	Bearing (Hoffman LS9RS)	1
13.	60-2683	Split pin, bearing retainer ($\frac{1}{16}$ " \times $\frac{3}{8}$ ")	2
14.	68-5543	Trailing brake shoe	1
15.	19-7732	Brake lining	2
16.	67-5576	Fulcrum pin	1
17.	24-5860	Nut, anchor strap stud (7/16" British Standard Cycle)	1
18.	42-5520	Anchor strap	1
19.	15-0716	Spring washer, anchor strap ($29/64$ " \times $15/16$ " \times $\frac{1}{16}$ ")	1
20.	15-0541	Nut, anchor strap (7/16" British Standard Cycle)	1
21.	67-5577	Stud, anchor strap (7/16" British Standard Cycle)	1
22.	25-6014	Washer, fulcrum pin	1
23.	35-0037	Spring washer, fulcrum pin	1
24.	42-5883	Nut, fulcrum pin ($\frac{5}{8}$ " British Standard Cycle)	1
25.	28-2080	Grease nipple, cam spindle	1
26.	67-5555	Brake anchor plate	1
27.	02-0440	Nut, brake lever (7/16" British Standard Cycle)	1
28.	66-4708	Lockwasher, brake lever (7/16")	1
29.	15-0431	Washer, brake lever (7/16" \times $\frac{3}{4}$ " \times $\frac{1}{16}$ ")	1
30.	65-5907	Brake lever	1
31.	37-2243	Cam spindle	1
32.	67-5575	Rivet, brake lining	14
33.	68-5541	Leading brake shoe	1
34.	68-5552	Bearing retainer (right-hand)	1
35.	65-5904	Spring, brake shoe	2
	68-5554	Wheel with spindle and bearings	1

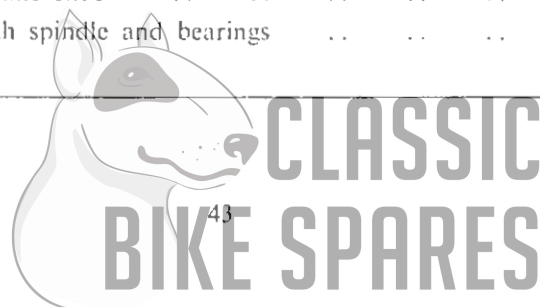


Plate 15

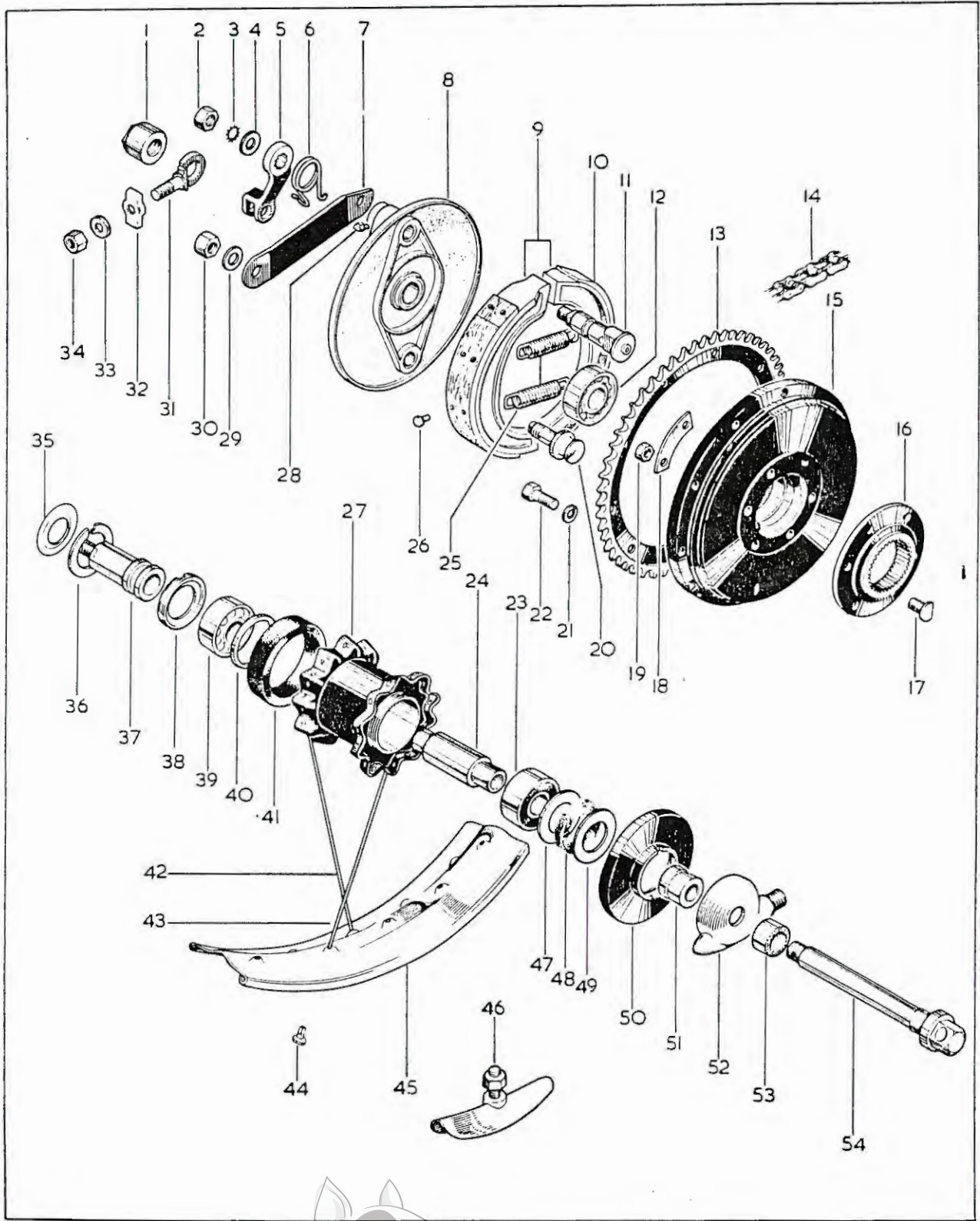
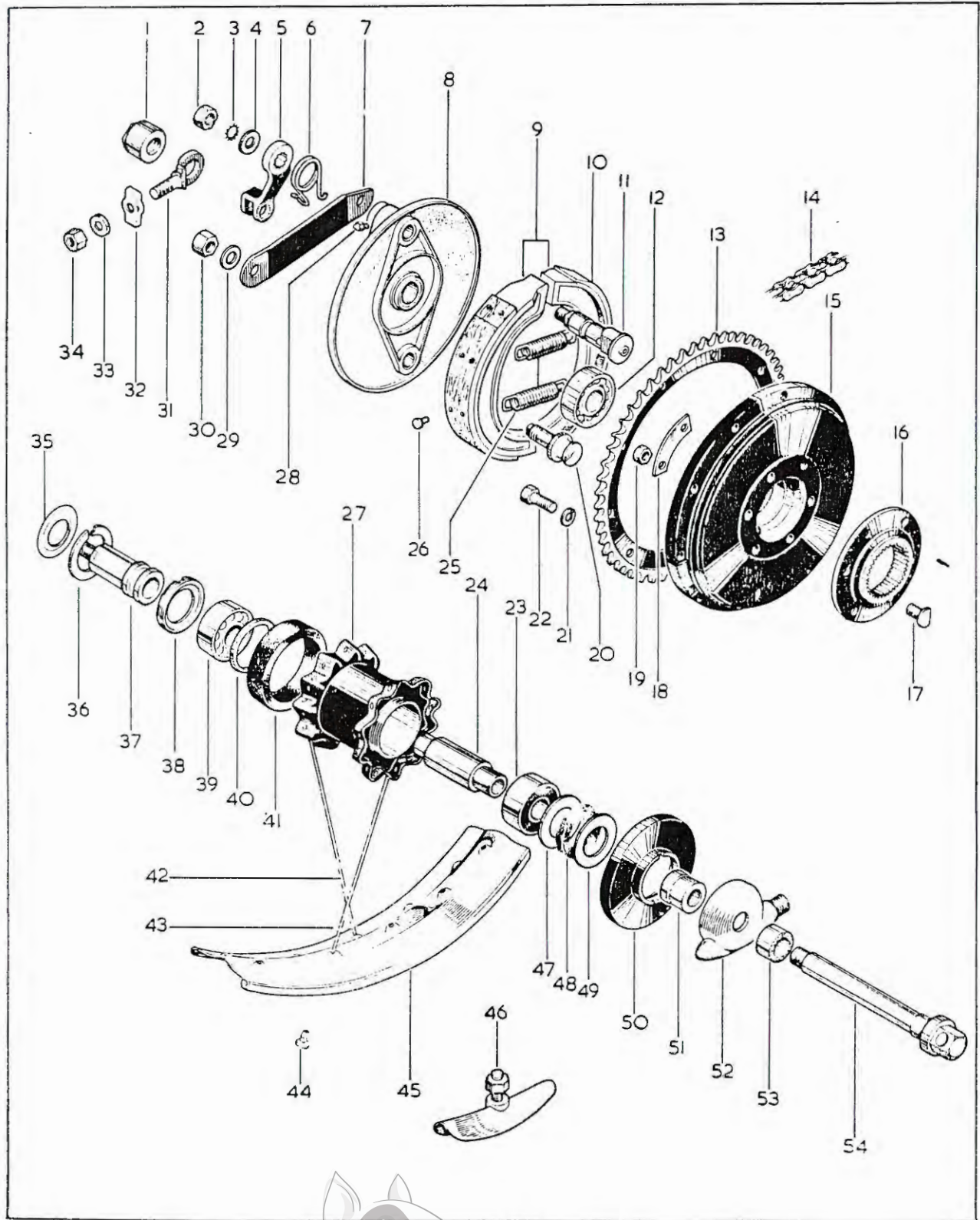


Plate 15

REAR WHEEL

Plate Ref.	Spares No.	Description	Per Set
1.	68-6066	Spindle nut (left-hand)	1
2.	02-0440	Nut, brake lever (7/16" British Standard Cycle)	1
3.	66-4708	Lockwasher, brake lever	1
4.	15-0431	Washer, brake lever (7/16" x 3/4" x 1/16")	1
5.	42-6045	Brake lever	1
6.	68-6134	Return spring, brake lever	1
7.	41-6094	Anchor strap	1
8.	41-6093	Brake anchor plate	1
9.	65-5940	Brake shoe complete	2
10.	19-7717	Brake lining	2
11.	37-2226	Brake cam spindle	1
12.	65-5883	Brake drum bearing (Hoffman LS9)	1
13.	41-6091	Rear chainwheel (49 teeth)	1
14.	19-8687	Rear chain (5/8" x 1/4" x 100 pitch)	1
15.	41-6090	Brake drum	1
16.	42-6019	Driving flange	1
17.	67-6038*	Bolt, flange to drum (3/8" British Standard Cycle)	6
18.	68-6135	Lockplate for nut, line 19	3
19.	02-0452	Nut, flange to drum	6
20.	68-6133	Fulcrum pin, brake shoe	1
21.	24-8784	Spring washer, chainwheel bolt	10
22.	68-6095*	Bolt, chainwheel to drum (5/16" Unified Fine x 13/32")	10
23.	41-6016	Hub bearing (Hoffman LS9RS)	1
24.	67-6027	Spindle sleeve	1
25.	65-5904	Return spring, brake shoe	2
26.	35-6436	Rivet for brake linings	14
27.	41-6022	Hub with spindle and bearings	1
28.	28-2080	Grease nipple, cam spindle	1
29.	65-5111	Spring washer, fulcrum pin	1





REAR WHEEL.

Plate Ref.	Spares No.	Description	Per Set
30.	24-7000	Nut, fulcrum; pin (1/2" British Standard Cycle)	1
31.	40-6033	Wheel adjuster	2
32.	40-6040	Adjuster cap	2
33.	02-0923	Washer, wheel adjuster	2
34.	42-4476	Nut, wheel adjuster	2
35.	67-6033	Bearing shim	1
36.	67-6034	Bearing circlip	1
37.	41-6032	Fixed spindle	1
38.	68-6081	Bearing retainer	1
39.	41-6016	Hub bearing (Hoffman LS9RS)	1
40.	65-5884	Bearing thrust ring	1
41.	67-6051	Rubber seal	1
42.	42-6011	Spoke (left-hand)	20
43.	42-6012	Spoke (right-hand)	20
44.	27-6810	Spoke nipple	40
45.	42-6371	Wheel rim (WM3-18)	1
46.	37-3468	Security bolt	2
47.	65-5887	Retainer (inner)	1
48.	65-5886	Felt washer	1
49.	41-6021	Retainer (outer)	1
50.	68-6142	End cover	1
51.	41-6019	Inner spacer (right-hand)	1
52.	19-9217	Speedometer gearbox, m.p.h. (Smiths BG5330/171)	1
52.	19-9212	Speedometer gearbox, k.p.h. (Smiths BG5330/31)	1
53.	41-6082	Outer spacer (right-hand)	1
54.	41-6098	Wheel spindle	1
	41-6009	Rear wheel with spindle and bearings	1

*Special material: 17.—EN14B. 22.—EN14B.

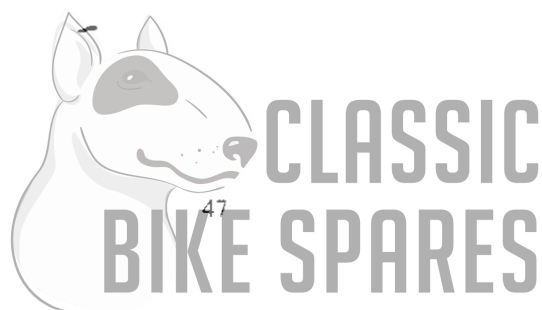
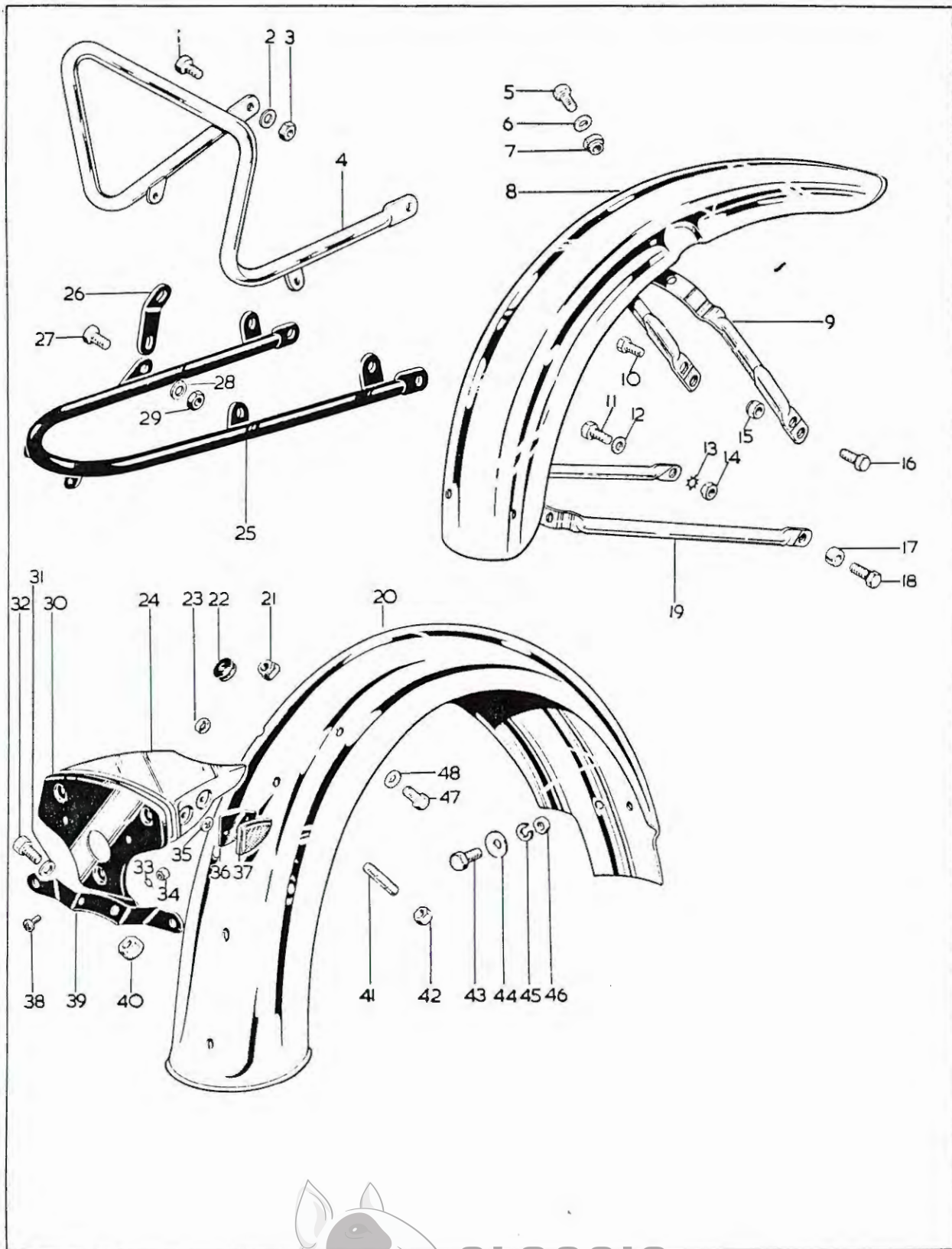


Plate 16



MUDGUARDS

Plate Ref.	Spares No.	Description	Per Set
1.	28-2338	Bolt, handrail to support rail ($\frac{5}{16}$ " British Standard Cycle $\times 23/32$ ") ..	2
2.	02-0923	Washer, handrail to support rail ($\frac{5}{16}$ " $\times \frac{5}{8}$ " $\times \frac{1}{16}$ ")	2
3.	75-6594	Nut, handrail to support rail ($\frac{5}{16}$ " British Standard Cycle)	2
4.	41-9152	Handrail	1
5.	02-0204	Bolt, stay to mudguard ($\frac{1}{4}$ " British Standard Cycle $\times \frac{1}{2}$ ")	4
6.	27-8560	Washer, stay to mudguard ($\frac{1}{4}$ " $\times \frac{5}{8}$ " $\times .048$ ")	4
7.	40-0414	Nut, stay to mudguard ($\frac{1}{4}$ " British Standard Cycle)	4
8.	41-6533	Front mudguard	1
9.	82-8394	Centre stay, front mudguard	1
10.	03-1156	Bolt, stay to fork leg, left-hand ($\frac{5}{16}$ " British Standard Cycle $\times \frac{7}{8}$ ")	2
11.	15-7354	Bolt, stay to fork end, left-hand ($\frac{5}{16}$ " British Standard Cycle $\times \frac{5}{8}$ ")	1
12.	02-0923	Washer, stay to fork end ($\frac{5}{16}$ " $\times \frac{5}{8}$ " $\times \frac{1}{16}$ ")	2
13.	36-0382	Lockwasher, stay to fork end ($\frac{5}{16}$ ")	2
14.	02-1616	Nut, stay to fork end ($\frac{5}{16}$ " British Standard Cycle)	2
15.	75-3144	Nut, stay to fork leg ($\frac{5}{16}$ " British Standard Cycle)	2
16.	64-6054*	Bolt, stay to fork leg, right-hand ($\frac{5}{16}$ " British Standard Cycle $\times 1-7/64$ ") ..	2
17.	02-0370	Spacer, stay to fork end	1
18.	40-6022	Bolt, stay to fork end, right-hand ($\frac{5}{16}$ " British Standard Cycle $\times \frac{7}{8}$ ")	1
19.	40-6570	Bottom stay, front mudguard	1
20.	82-9989	Rear mudguard	1
21.	42-4476	Nut, guard to support rail ($\frac{5}{16}$ " British Standard Cycle)	2
22.	67-6839	Wiring grommet	2
23.	57-3638	Spacer, tail lamp support	1
24.	83-0270	Tail lamp support complete	1
25.	41-6782	Support rail	1
26.	68-6802	Bracket, support rail to guard	2
27.	27-6742	Bolt, bracket to support rail ($\frac{5}{16}$ " British Standard Cycle $\times 37/64$ ")	2
28.	02-0923	Washer, bracket to support rail ($\frac{5}{16}$ " $\times \frac{5}{8}$ " $\times \frac{1}{16}$ ")	2
29.	02-0049	Nut, bracket to support rail ($\frac{5}{16}$ " British Standard Cycle)	2
30.	68-6835	Tail lamp support plate	1
31.	27-8560	Washer for bolt, line 32 ($\frac{1}{4}$ " $\times \frac{5}{8}$ " $\times .048$ ")	2
32.	02-0204	Bolt, number plate bracket ($\frac{1}{4}$ " British Standard Cycle $\times \frac{1}{2}$ ")	2
33.	54-0170	Lockwasher, support plate bottom screw	1
34.	21-5161	Nut, support plate bottom screw (2 British Association)	1
35.	82-8195	Push-fix rear reflector	4
36.	82-8140	Rubber pad, rear reflector	2
37.	19-0943	Rear reflector (Lucas 57111)	2
38.	54-9012	Screw, support plate to support (2 British Association $\times 13/32$ ")	3
39.	68-6834	Number plate bracket	2
40.	40-0414	Nut for bolt, line 32 ($\frac{1}{4}$ " British Standard Cycle)	2
41.	70-2980	Stud, tail lamp support	1
42.	42-3249	Nut, tail lamp support stud ($\frac{1}{4}$ " British Standard Cycle)	1
43.	02-0204	Bolt, mudguard to frame ($\frac{1}{4}$ " British Standard Cycle $\times \frac{1}{2}$ ")	2
44.	40-6790	Washer, mudguard to frame	2
45.	82-9020	Spring washer, mudguard to frame ($\frac{1}{4}$ " $\times 19/32$ " $\times .040$ ")	2
46.	02-2395	Nut, mudguard to frame ($\frac{1}{4}$ " British Standard Cycle)	2
47.	28-2338	Bolt, mudguard to top frame ($\frac{5}{16}$ " British Standard Cycle $\times 23/32$ ")	2
48.	02-0923	Washer, mudguard to top frame ($\frac{5}{16}$ " $\times \frac{5}{8}$ " $\times \frac{1}{16}$ ")	2

*Special material: 16.—EN15.

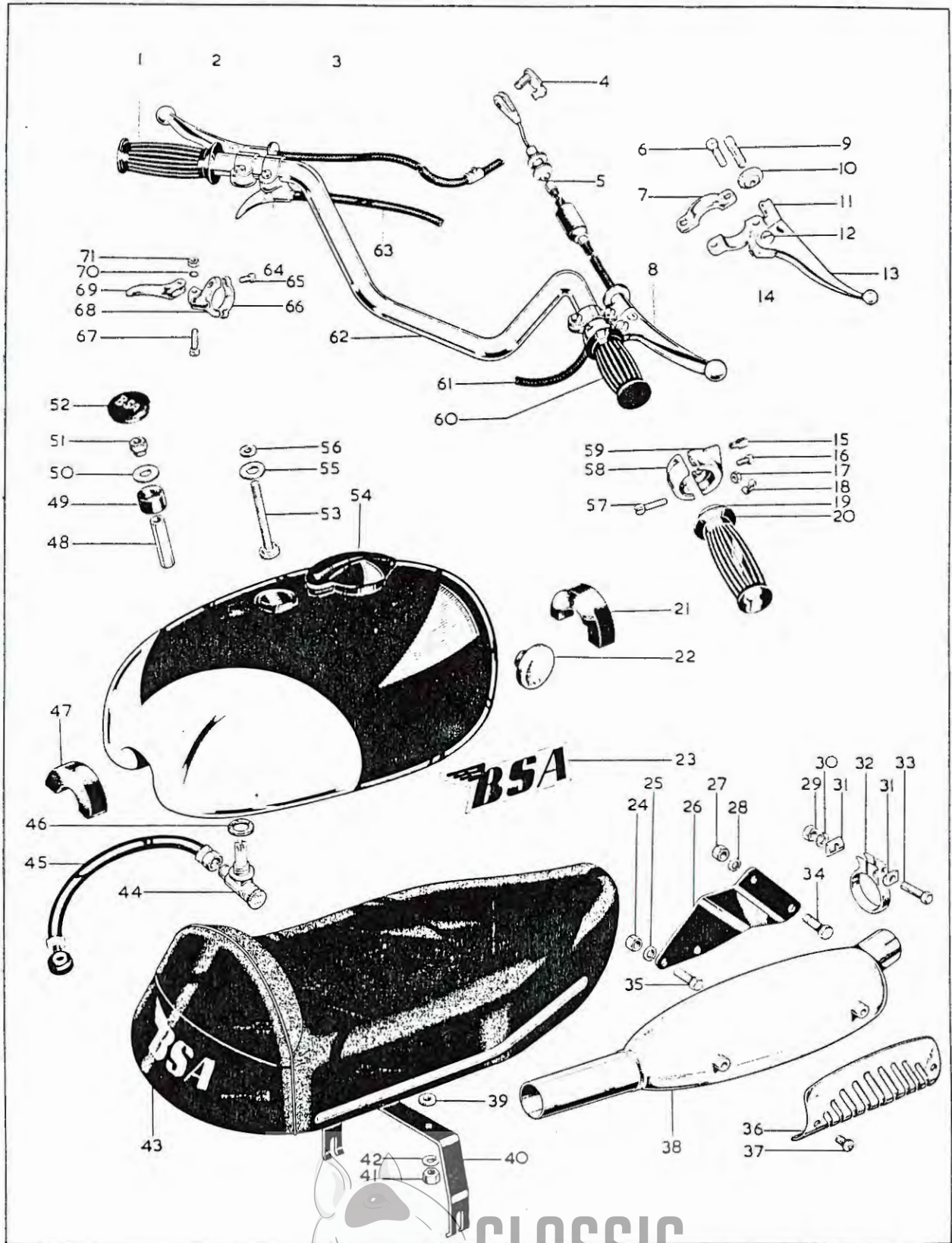


Plate 17

PETROL TANK, TWINSEAT, HANDLEBAR AND CONTROLS

Plate Ref.	Spares No.		Description	Per Set
	B.S. No.	Makers No.		
1.	19-7221		Rubber grip (left-hand)	1
2.	60-2242	19/952M	Clutch control complete	1
3.	60-2083		Clutch control cable	1
4.	37-2006		Spring pin for brake cable	1
5.	60-2119		Front brake cable complete with stop switch	1
6.		11/014	Clamp screw, brake and clutch controls	4
7.		12/595	Clamp, brake and clutch controls	2
8.	60-2243	19/1098M	Brake control complete	1
9.	60-2071	18/1708	Cable adjuster, brake and clutch	2
10.	60-2072	18/1709	Adjuster nut, brake and clutch	2
11.		19/002	Bracket, clutch control	1
11.		19/003	Bracket, brake control	1
12.		18/087	Fulcrum screw, brake and clutch controls	2
13.		18/752	Clutch lever only	1
13.		18/754	Brake lever only	1
14.		18/053	Nut for fulcrum pin	2
15.		16/011	Throttle cable stop	1
16.		16/009	Screw, friction spring	1
17.		16/010	Nut, friction spring screw	1
18.		16/008	Friction spring, twist grip	1
19.		16/091	Twist grip rotor	1
20.	19-7222		Rubber grip (right-hand)	1
21.	40-8121		Tank mounting rubber (front)	1
22.	42-8052		Anti-roll rubber	2
23.	41-8051		Petrol tank side transfer	2
24.	02-2395		Nut, silencer to bracket (1/4" British Standard Cycle)	2
25.	82-9020		Spring washer, silencer to bracket (1/4" x 19/32" x .040")	2
26.	82-9945		Silencer bracket	1
27.	14-0302		Nut, bracket to frame (5/16" Unified Fine)	2
28.	24-8784		Spring washer, bracket to frame (5/16" x 5/8" x .040")	2
29.	21-1908		Nut, silencer clip (5/16" Unified Fine)	1
30.	54-8003		Spring washer, silencer clip	1
31.	75-2719		"D" washer, silencer clip	2
32.	70-5874		Silencer clip complete	1
33.	14-0219		Bolt, silencer clip (5/16" Unified Fine x 1 1/2")	1
34.	14-0115		Bolt, bracket to frame (5/16" Unified Fine x 7/8")	2
35.	02-0204		Bolt, silencer to bracket (1/4" British Standard Cycle x 1/2")	2
36.	54-9003		Screw, heat shield	2



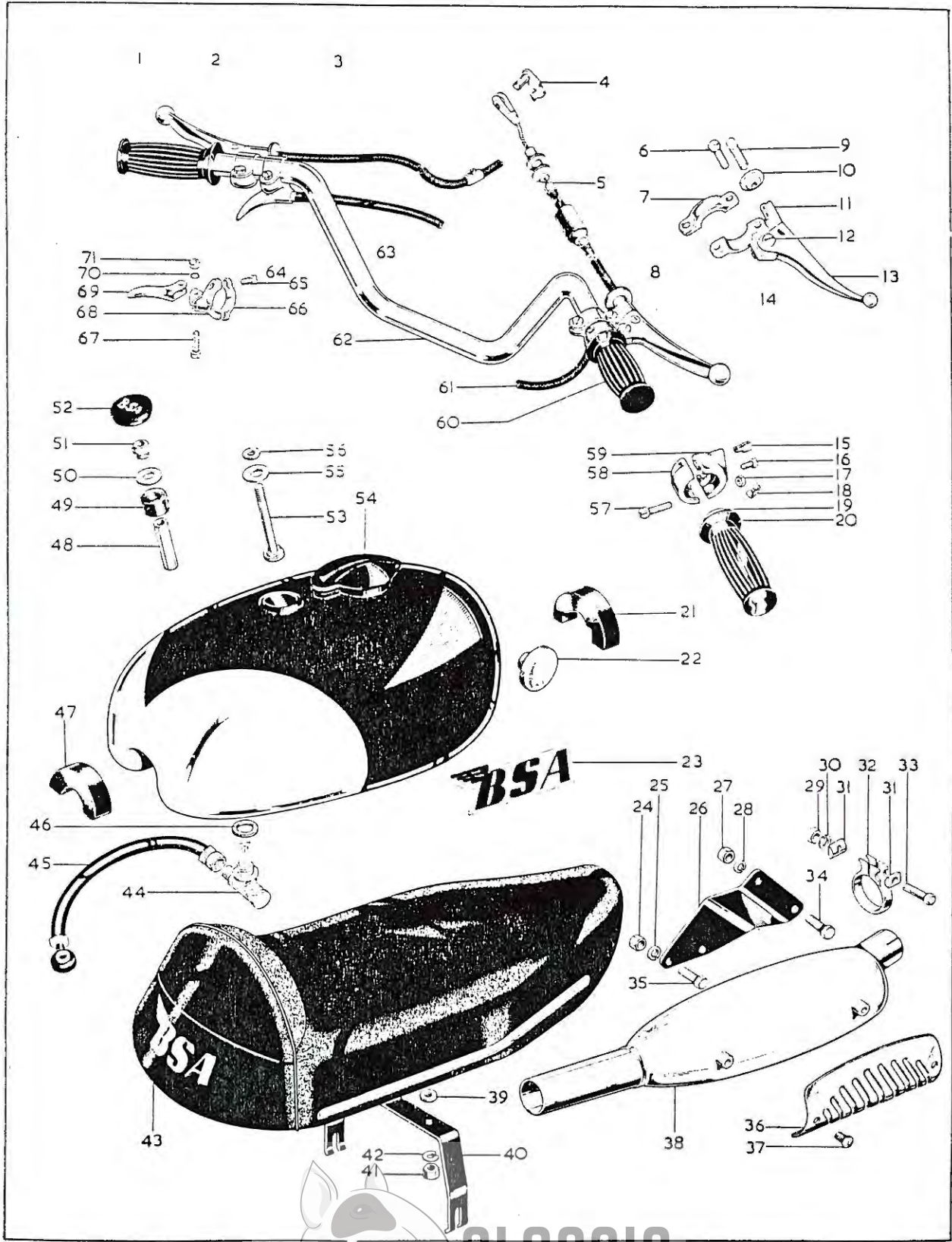


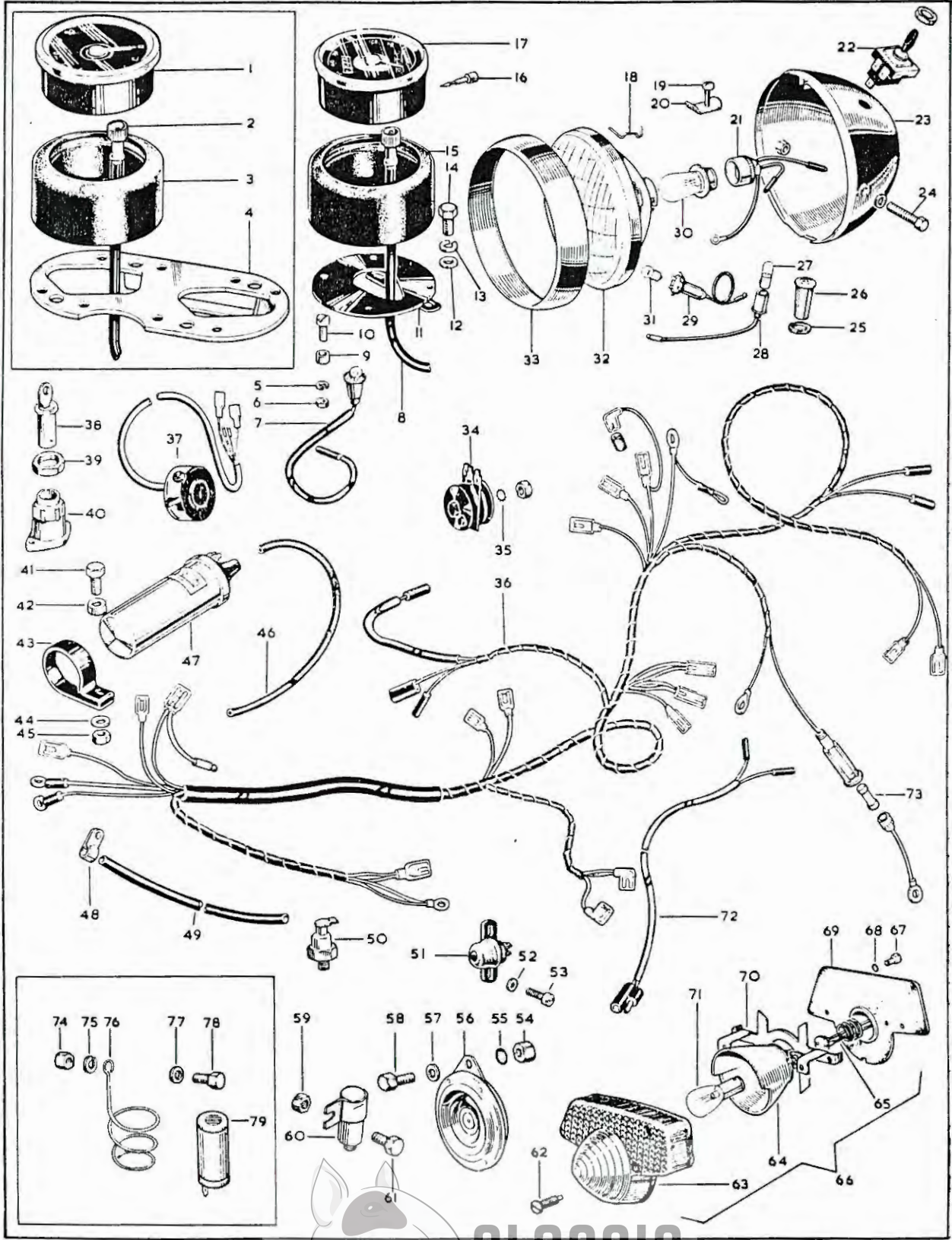
Plate 17—continued

PETROL TANK, TWINSEAT, HANDLEBAR AND CONTROLS

Plate Ref.	Spares No.		Description	Per Set
	B.S. No.	Makers No.		
37.	70-8960		Heat shield	1
38.	70-9654		Silencer	1
39.	27-8560		Spacer, twinseat	2
40.	41-9131		Rear bracket, twinseat	1
41.	02-0051		Nut, twinseat ($\frac{1}{4}$ " British Standard Cycle)	2
42.	82-9020		Spring washer, twinseat ($\frac{1}{4}$ " \times $19/32$ " \times .040")	2
43.	82-9732		Twinseat complete	1
44.	68-8024		Petrol tap	1
45.	82-8718		Petrol pipe assembly complete	1
46.	82-9204		Seal washer for petrol tap	as reqd.
46.	65-8218		Seal washer for petrol tap	as reqd.
47.	40-8140		Tank mounting rubber (rear)	1
48.	68-8046		Spacer tube, tank mounting	1
49.	42-8017		Rubber sleeve, tank mounting	1
50.	68-8016		Washer, tank mounting	1
51.	68-8014		Nut, tank mounting ($\frac{5}{16}$ " British Standard Cycle)	1
52.	42-8010		Grommet, tank mounting	1
53.	68-8045		Bolt, tank mounting ($\frac{5}{16}$ " British Standard Cycle \times 2 $\frac{7}{8}$ ")	1
54.	40-8101		Petrol tank with fixed fittings	1
55.	29-5655		Washer, tank mounting ($7/16$ " \times $25/32$ " \times .104")	1
56.	02-0923		Washer, tank mounting ($1/16$ " \times $5/8$ " \times $1/16$ ")	1
57.		11/013	Body screw, twist grip	2
58.		16/328	Body (top-half), twist grip	1
59.		16/329	Body (bottom-half), twist grip	1
60.	19-7223	16/364	Twist grip control complete	1
61.	40-8657		Throttle cable complete	1
62.	40-4960		Handlebar	1
63.	41-8548		Exhaust lifter control cable	1
64.	42-8611	18/864	Exhaust lifter control complete	1
65.	19-3082	376/079	Clamp screw, exhaust lifter	2
66.	19-3083	12/064	Handlebar clamp, exhaust lifter	1
67.	19-3084	11/014	Lever fulcrum pin, exhaust lifter	1
68.	19-3086	18/869	Bracket, exhaust lifter	1
69.	19-3085	18/871	Lever, exhaust lifter	1
70.	19-3087		Lockwasher for nut, line 71	1
71.	19-2763	18/060	Fulcrum pin nut, exhaust lifter	1

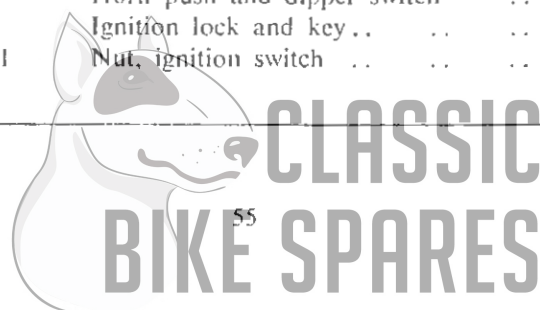
Note:—Where no B.S.A. Part Number is quoted, the part is only available from the makers.

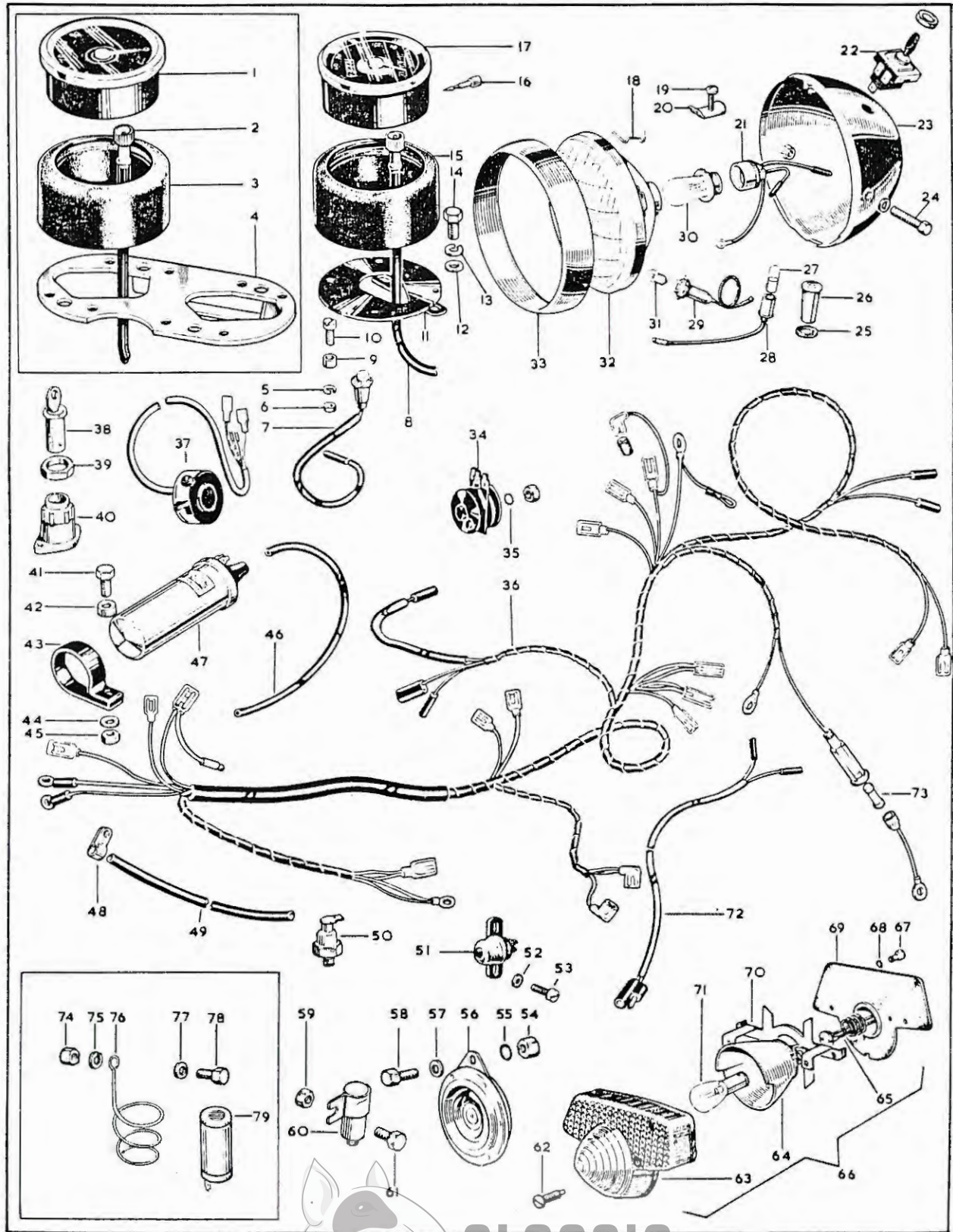




ELECTRICAL EQUIPMENT

Plate Ref.	Spares No.		Description	Per Set
	B.S.A. No.	Makers No.		
1.	19-8944	RSM3003/01	Tachometer head (to order only)	1
2.	19-9094		Tachometer cable (to order only)	1
3.	83-0281		Mounting cup, tachometer head (to order only)	1
4.	97-3689		Mounting bracket, speedometer and tachometer (to order only)	1
5.	24-7068		Spring washer, speedometer or tachometer mounting ..	4
6.	02-0047		Nut, speedometer or tachometer mounting	4
7.	19-1166	54953389	Speedometer light lead	1
8.	19-9089	DF9110/00/63	Speedometer cable	1
9.	68-9418		Spacer, speedometer or tachometer mounting	4
10.	76-0543		Screw, speedometer or tachometer mounting	4
11.	82-8283		Mounting bracket, speedometer head only	1
12.	02-0525		Washer, speedometer or tachometer bracket mounting ..	2
13.	24-0978		Spring washer, speedometer or tachometer bracket mounting	2
14.	02-1354		Bolt, speedometer or tachometer bracket mounting ..	2
15.	83-0281		Mounting cup, speedometer head	1
16.	19-9080	41-148-203-10	Speedometer trip shaft	1
17.	19-8936	SSM5001/05	Speedometer head (m.p.h.)	1
17.	19-2183	SSM5001/04	Speedometer head (k.p.h.)	1
18.		504665	Wire clip, headlight light unit	5
19.		144921	Screw, headlamp rim	1
20.		534296	Plate, headlamp rim fixing screw	1
21.		554602	Main bulb holder	1
22.	19-0964	35710	Light switch	1
23.	19-1320	59965	Headlamp complete (standard)	1
23.	19-1321	59966	Headlamp complete (Europe, with 410 bulb)	1
23.	19-1322	59966	Headlamp complete (France, with 411 bulb)	1
24.		112201	Bolt, headlamp mounting	2
25.		54140331	Seal washer, warning light body	2
26.	19-0982	38191	Warning light body (green)	1
26.	19-0965	38189	Warning light body (red)	1
27.		281	Bulb, warning light	2
28.		54945043	Bulb holder, warning light	2
29.		54573590	Pilot bulb holder, headlamp	1
30.		446	Main bulb, headlamp	1
30.		410	Main bulb (Europe)	1
30.		411	Main bulb (France)	1
31.		989	Pilot bulb, headlamp	1
32.		54524526	Light unit, headlamp	1
33.		534343	Headlamp rim	1
34.	19-1715	49072	Rectifier	1
35.	29-0541		Lockwasher, rectifier earth	1
36.	19-1323	54957308	Wiring harness	1
37.	19-0214		Horn push and dipper switch	1
38.	68-9304	1/24089	Ignition lock and key	1
39.	19-1247	54130041	Nut, ignition switch	1



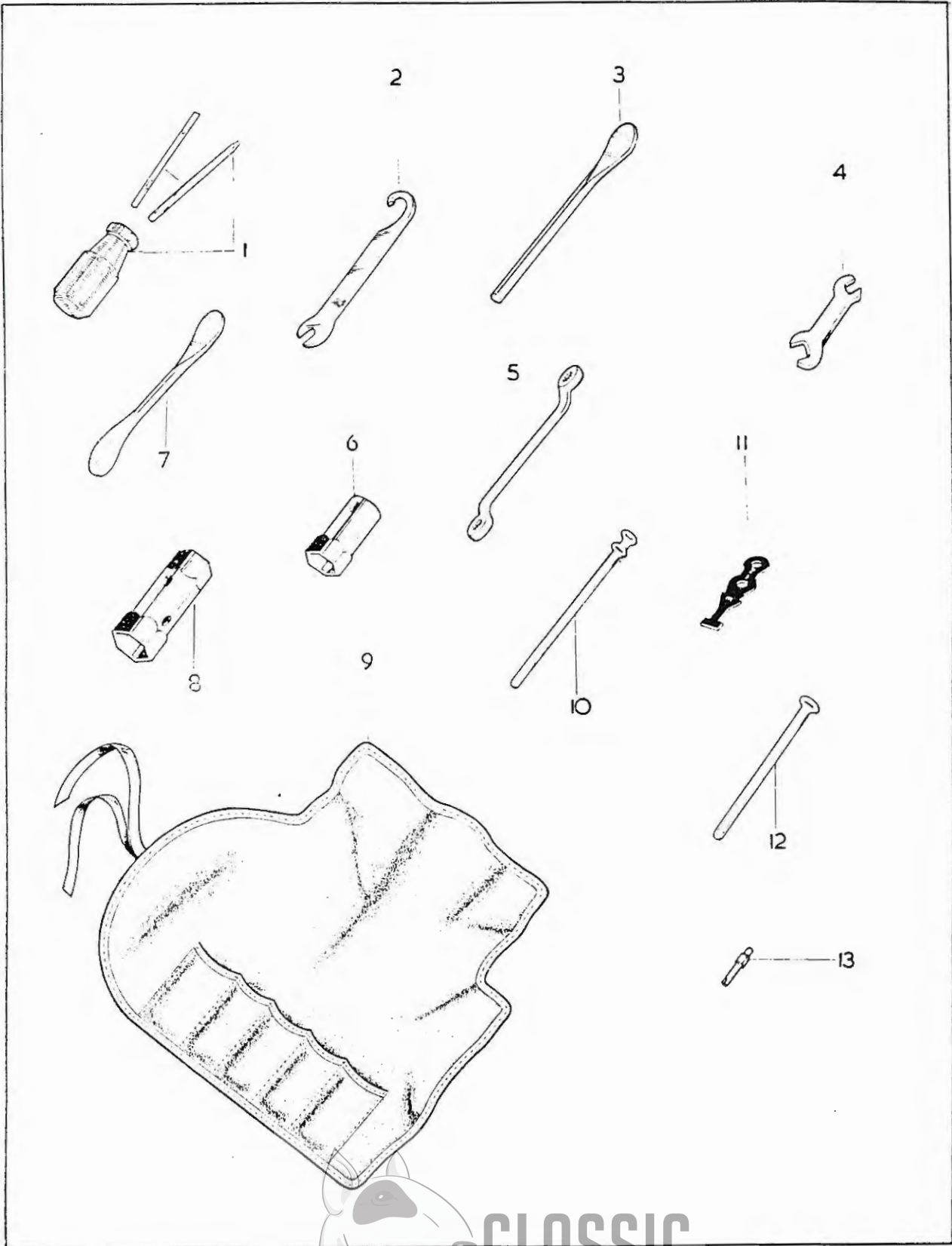


ELECTRICAL EQUIPMENT

Plate Ref.	Spares No.		Description	Pcr Set
	B.S.A. No.	Makers No.		
40.	19-1775	31899	Ignition switch	1
41.	14-0204		Bolt, coil clip mounting	1
42.	66-9262		Spacer, coil clip mounting	1
43.	83-1603		Coil clip	1
44.	27-8560		Washer, coil clip mounting	1
45.	14-0801		Nut, coil clip mounting	1
46.	19-1885	54956469	High-tension lead (resistive cable)	1
46.	19-1886	54956427	High-tension lead (U.S.A.)	1
47.	19-1881	45221	Ignition coil	1
48.	66-8340		Clip, battery vent pipe	1
49.	68-9163		Battery vent pipe	1
50.	19-1735	49345	Zener diode	1
51.	19-0916	34815	Rear stop light switch	1
52.	02-1096		Washer, stop switch mounting	2
53.	42-4574		Screw, stop switch mounting	2
54.	42-4475		Nut, horn mounting	1
55.	66-4707		Lockwasher, horn mounting	1
56.	19-2064		Horn	1
57.	02-2138		Washer, horn mounting	1
58.	75-4813		Bolt, horn mounting	1
59.	40-0414		Nut, condenser mounting	1
60.	19-1747	54441582	Condenser, ignition	1
61.	02-0220		Bolt, condenser mounting	1
62.		144921	Screw, tail lamp lens	2
63.		54577109	Tail lamp lens	1
64.		54578213	Bulb holder assembly, tail lamp	1
65.		573828	Bulb holder interior, tail lamp	1
66.	19-1245	53973	Stop/tail lamp complete	1
67.		110714	Screw, lamp fixing	2
68.		188330	Lockwasher, lamp fixing	2
69.		54571677	Gasket, lamp seating	1
70.		54578212	Base assembly, tail lamp	1
71.		380	Bulb, stop/tail lamp	1
72.	82-8314	54953386	Tail lamp lead	1
73.	19-1249		Fuse (12 volt, 35 amp.)	1
74.	02-2395		Nut, capacitor mounting (to order only)	1
75.	82-9020		Spring washer, capacitor mounting (to order only)	1
76.	82-8320	54483156	Spring, capacitor mounting (to order only)	1
77.	02-0525		Washer, capacitor mounting (to order only)	1
78.	02-1354		Bolt, capacitor mounting (to order only)	1
79.	82-8319	54170009	Capacitor (to order only)	1
	19-1776	54027029	Battery (not illustrated)	1
	00-5195		Tachometer kit complete (to order only)	1
	00-4403		Capacitor kit complete (to order only)	1

Note:—Where no B.S.A. part number is quoted, the part is only available from the makers.

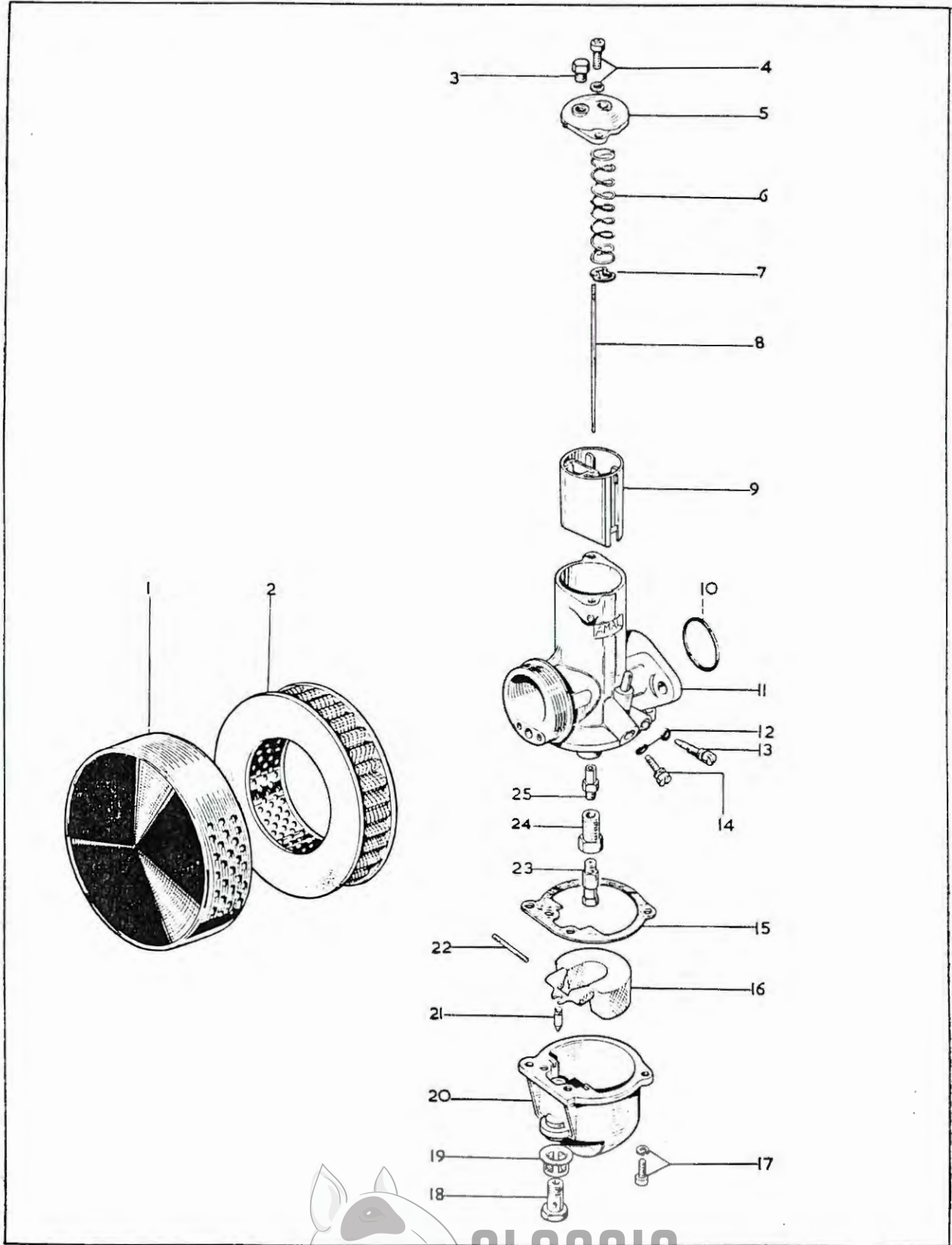




TOOLS AND SUNDRIES

<i>Plate Ref.</i>	<i>Spares No.</i>	<i>Description</i>	<i>Per Set</i>
1.	60-0767	Screwdriver set	1
2.	68-9462	"C" spanner, rear damper	1
3.	60-0801	Tyre lever/tommy bar	1
4.	65-9132	Tappet spanner	1
5.	67-9026	Ring spanner	1
6.	68-9464	Plug spanner	1
7.	29-9252	Tyre lever	1
8.	40-9017	Double box spanner	1
9.	68-9461	Tool roll	1
10.	76-9136	Cable clip	5
11.	90-9024	Rubber cable clip	2
12.	75-9045	Cable clip	3
13.	68-9467	Tyre valve key	1
	60-2114	Toolkit complete	1





CARBURETTER AND AIR CLEANER

Plate Ref.	Spares No.		Description	Per Set
	B.S.A. No.	Amal No.		
1.	60-1053		Air cleaner complete	1
2.	19-7115		Air cleaner element	1
3.		4/137A	Screw plug for top cap	1
4.	19-3093	622/086	Screw and washer for top cap	2
5.		928/097	Mixing chamber top cap	1
6.		622/131	Throttle slide spring	1
7.	19-3095	622/067	Throttle needle clip	1
8.	19-3137	622/124	Throttle needle	1
9.	19-3127	928/060	Throttle slide (number 3½ cut-away)	1
10.	19-3090	622/101	"O" ring, carburetter flange	1
11.		R930/005	Carburetter body	1
12.	19-3098	622/082	"O" ring, pilot air and throttle stop screws	2
13.		622/076	Pilot air adjusting screw	1
14.		622/077	Throttle stop screw	1
15.	19-3106	622/073	Float chamber gasket	1
16.	19-3102	622/069	Float	1
17.	19-3093	622/086	Screw and washer, float chamber to body	2
18.	19-3103	622/078	Banjo bolt	1
19.	19-3048	376/093	Petrol filter	1
20.		622/050	Float chamber	1
21.	19-3105	622/068	Float needle	1
22.		622/071	Float spindle	1
23.	19-2884	376/100	Main jet (240 c.c.)	1
24.		622/128	Jet holder	1
25.	19-3136	622/122	Needle jet (.106")	1
	19-2425	R930/38	Carburetter complete	1

Note:—Where no B.S.A. part number is quoted, the part is only available from the makers.

