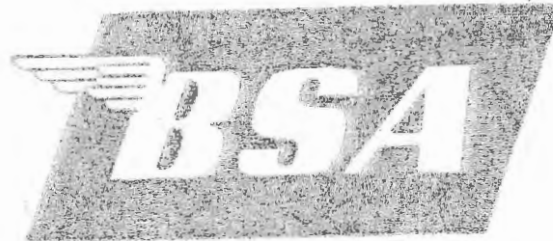


20-10204C



REPLACEMENT PARTS LIST

A65 LIGHTNING
A65 FIREBIRD SCRAMBLER
A65 THUNDERBOLT
A50 ROYAL STAR

FROM ENGINE NUMBERS & FRAME NUMBERS

HD 00101 A65L
HD 00101 A65F
HD 00101 A65T
HD 00101 A50R

Catalogue Number 00-1707



**CLASSIC
BIKE SPARES**

1970



**CLASSIC
BIKE SPARES**

CATALOGUE OF



FOR

A65 LIGHTNING

A65 FIREBIRD SCRAMBLER

A65 THUNDERBOLT

A50 ROYAL STAR

ISSUED BY

B.S.A. MOTOR CYCLES LTD.

Service Department, Armoury Road,

Birmingham 11

TELEPHONE 021-772-2381

TELEGRAMS "SELMOTO BIRMINGHAM"

B.S.A. MOTOR CYCLES LTD.

Registered Offices and Works: ARMOURY ROAD, BIRMINGHAM 11

Telephone: 021-772-2381

Telegrams and Cables: "SELMOTO BIRMINGHAM"

Contractors to Her Majesty's Government, the War Office, the Admiralty, the Post Office, the Colonial and Foreign Governments.

Publication Reference 00-5707—August, 1969.

Printed in England by B.S.A. Press



Please Note!

Replacement parts or accessories must be of B.S.A. origin or as approved by B.S.A. Motor Cycles Ltd.

In this respect your attention is drawn to the Terms and Conditions of B.S.A. Guarantee.



MODEL A65 LIGHTNING (EXCEPT U.S.A.)

ALTERATIONS TO PARTS LIST
PAGES 63 AND 65.

| PAGE | REF. | | REMARKS |
|------|------|------------------------|-----------------------|
| 63 | 4 | 68-8012 | Change to 82-9794 |
| 63 | 5 | 76-0012 |, 82-9795 |
| 63 | 6 | 68-8039 |, 82-9721 |
| 63 | 7 | 82-9611 | Delete 4 Gall. |
| 63 | 7 | <i>Add</i> 82-4971 | 3 $\frac{1}{4}$ Gall. |
| 63 | 8 | 82-8409 | Delete 4 Gall. |
| 63 | 8 | <i>Add</i> 83-1521 | 3 $\frac{1}{4}$ Gall. |
| 63 | 13 | 68-8018 | Delete 4 Gall. |
| 63 | 13 | <i>Add</i> 82-9792 | 3 $\frac{1}{4}$ Gall. |
| 63 | 14 | 68-3176 | Delete 4 Gall. |
| 63 | 14 | <i>Add</i> 82-9796 | 3 $\frac{1}{4}$ Gall. |
| 63 | 15 | 68-8024 | Delete 4 Gall. |
| 63 | 15 | <i>Add</i> 82-4972 | 3 $\frac{1}{4}$ Gall. |
| 63 | 16 | 82-9204 | Delete 4 Gall. |
| 63 | 16 | <i>Add</i> 70-7351 (2) | 3 $\frac{1}{4}$ Gall. |
| 63 | 16 | <i>Add</i> 83-0002 (2) | 3 $\frac{1}{4}$ Gall. |
| 63 | 19 | 68-8011 | Change to 82-9793 |
| 63 | 22 | 68-8035 | Delete 4 Gall. |
| 63 | 22 | <i>Add</i> 82-9782 | 3 $\frac{1}{4}$ Gall. |
| 65 | 24 | 75-8009 | Change to 68-8190 |
| 65 | 26 | 68-8038 | Delete Line |
| 65 | 27 | 68-8189 | Change to 82-9729 |
| 65 | 30 | 68-8017 | Change to 82-9791 |
| 65 | 32 | 21-6050 | Delete Line |
| 65 | 32 | <i>Add</i> 21-5662 | 3 $\frac{1}{4}$ Gall. |
| 65 | 35 | 42-8114 | Delete Line |
| 65 | 35 | 42-8115 | Delete Line |
| 65 | 36 | 24-7178 | Delete Line |
| 65 | 37 | 40-8029 | Delete Line |
| 65 | 37 | 40-8030 | Delete Line |

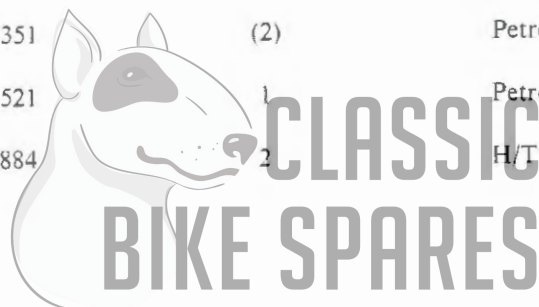
ALL OTHER REFERENCE TO 4 GALL. ON PAGES 63 AND 65 SHOULD BE CHANGED TO 3 $\frac{1}{4}$ GALL.



MODEL A65 FIREBIRD (EXCEPT U.S.A.)

ALL PARTS DETAILED IN PARTS LIST NUMBER 00-5707 APPLY TO U.S.A. AND OTHER MARKETS EXCEPT THE FOLLOWING WHICH DO NOT APPLY TO U.S.A. MODELS.

| PART NO. | PER SET | DESCRIPTION |
|----------|---------|----------------------------|
| 82-9609 | 1 | Petrol Tank, 2½ Gall. |
| 68-8190 | 1 | Filler Cap, Petrol Tank |
| 68-8191 | 1 | Filler Cap Rivet |
| 82-9796 | 1 | Tank Bracket |
| 68-8054 | 1 | Rubber Bush, Tank Bracket |
| 21-5662 | (2) | Bolt, Tank Bracket |
| 82-9791 | 1 | Front Support Rubber |
| 82-9792 | 1 | Rear Support Rubber |
| 82-9793 | 1 | Tank Mounting Bolt |
| 82-9795 | 1 | Washer, Tank Mounting |
| 82-9794 | 1 | Spacer Tube, Tank Mounting |
| 68-8016 | 1 | Washer—Top |
| 82-9782 | 1 | Beading Holder |
| 68-8019 | 1 | Mounting Ring |
| 68-8013 | 1 | 'O' Ring, Beading Holder |
| 82-9721 | 1 | Trim Strip—Rear |
| 82-9696 | 1 | Tank Badge R/H |
| 82-9695 | 1 | Tank Badge L/H |
| 82-8250 | 4 | Badge Screw |
| 82-4971 | 1 | Petrol Tap L/H |
| 82-4972 | 1 | Petrol Tap R/H |
| 70-7351 | (2) | Petrol Tap Seal |
| 83-1521 | 1 | Petrol Pipe Assembly |
| 19-1884 | 2 | H/T Lead (Resistive Cable) |



SUFFIX NUMBERS TO BE USED TO IDENTIFY VARYING FINISHES

When ordering components with varying finishes, please state finish required by adding the **appropriate number** to part number.

| | |
|-----------------------------|----------------------------|
| MODEL ABBREVIATIONS: | L = A65 LIGHTNING |
| | T = A65 THUNDERBOLT |
| | R = A50 ROYAL STAR |
| | F = A65 FIREBIRD SCRAMBLER |

PETROL TANK:

| | |
|---|-----|
| BLUE CENTRE, WHITE LINING, CHROME SIDE PANELS (A65 Lightning) | 268 |
| BLUE CENTRE, WHITE LINING, CHROME SIDE PANELS (A65 Firebird) | 269 |
| GREY CENTRE, WHITE LINING, CHROME SIDE PANELS | 270 |
| FLAMBOYANT RED, WHITE LINING, CHROME SIDE PANELS | 277 |
| FLAMBOYANT AIRCRAFT BLUE, CHROME PANELS, WHITE LINING | 228 |
| BLACK, CHROME PANELS, WHITE LINING | 233 |

MUDGUARDS:

| | |
|--|------|
| CHROME | /003 |
| FLAMBOYANT AIRCRAFT BLUE, WHITE LINING | /229 |
| BLACK, SINGLE WHITE LINE | /234 |

OTHER PARTS:

| | |
|--------------------------------------|------|
| CHROME | /003 |
| BLACK | /007 |
| SILVER | /165 |
| BLUE (A65 Lightning) | /271 |
| BLUE (A65 Firebird) | /272 |
| GREY | /274 |
| FLAMBOYANT RED, WHITE LINING | /276 |
| FLAMBOYANT AIRCRAFT BLUE.. .. . | /227 |

PRICES:

No price codes are quoted in this list. For prices please refer to the Master Price List No. 00-5125.

Wherever possible details of thread form and size are quoted after description of nuts, bolts, screws, studs and washers. Such as: 14-7006 Socket screw (1/4" Unified Coarse x 1") = 1/4" diameter Unified Coarse thread 1" long under head.

Vital components, which are manufactured from special material, are indicated by a sign and the British Standard symbol for the material is quoted at the foot of the page.



PISTON CHART

| Model | Ratio | Bore Size | Piston Complete | Compression Ring | Scraper Ring |
|-------|-------|-----------|-----------------|----------------------------|--------------|
| A50 | 9.0 | Standard | 68-0434 | 68-0296 68-0354 (taper) | 68-0299 |
| A50 | 9.0 | + 1/2 mm. | 68-0436 | 68-0297 68-0355 (taper) | 68-0300 |
| A50 | 9.0 | +1 mm. | 68-0438 | 68-0298 68-0356 (taper) | 68-0301 |
| A65 | 7.5 | Standard | 68-0819 | 68-0256 68-0357 (taper) | 68-0259 |
| A65 | 7.5 | + 1/2 mm. | 68-0820 | 68-0257 68-0358 (taper) | 68-0260 |
| A65 | 7.5 | +1 mm. | 68-0821 | 68-0258 68-0359 (taper) | 68-0261 |
| A65 | 9.0 | Standard | 68-0906 | 68-0256 68-0357 (taper) | 68-0259 |
| A65 | 9.0 | + 1/2 mm. | 68-0908 | 68-0257 68-0358 (taper) | 68-0260 |
| A65 | 9.0 | +1 mm. | 68-0910 | 68-0258 68-0359 (taper) | 68-0261 |



CARBURETTERS AND SETTINGS

AMAL LIMITED, HOLDFORD ROAD, WITTON, BIRMINGHAM, ENGLAND.

| Model | B.S.A. Number | Amal Number | Main Jet | Pilot Jet | Throttle Slide | Needle Jet | Needle Position |
|-------------------------------|---------------|-------------|----------|-----------|----------------|------------|-----------------|
| A65 Lightning (left-hand) | *19-2421 | L930-35 | 180 | 622/107 | 3 | ·106 | 1 |
| A65 Lightning (right-hand) | *19-2420 | R930-34 | 180 | 622/107 | 3 | ·106 | 1 |
| A65 Firebird (left-hand) | *19-2421 | L930-35 | 180 | 622/107 | 3 | ·106 | 1 |
| A65 Firebird (right-hand) | *19-2420 | R930-34 | 180 | 622/107 | 3 | ·106 | 1 |
| A65 Thunderbolt | 19-2422 | R928-6 | 230 | 622/107 | 3½ | ·106 | 1 |
| A50 Royal Star | 19-2423 | R626-19 | 200 | 622/107 | 3½ | ·106 | 2 |

*These carburetters are "handed" by machining of the pilot air and throttle stop screws.



STEERING LOCK AND KEY

| Lock No. | Key No. | Lock No. | Key No. | Lock No. | Key No. |
|----------|---------|----------|---------|----------|---------|
| EJR 1 | 19-5151 | EJR 18 | 19-5168 | EJR 35 | 19-5185 |
| EJR 2 | 19-5152 | EJR 19 | 19-5169 | EJR 36 | 19-5186 |
| EJR 3 | 19-5153 | EJR 20 | 19-5170 | EJR 37 | 19-5187 |
| EJR 4 | 19-5154 | EJR 21 | 19-5171 | EJR 38 | 19-5188 |
| EJR 5 | 19-5155 | EJR 22 | 19-5172 | EJR 39 | 19-5189 |
| EJR 6 | 19-5156 | EJR 23 | 19-5173 | EJR 40 | 19-5190 |
| EJR 7 | 19-5157 | EJR 24 | 19-5174 | EJR 41 | 19-5191 |
| EJR 8 | 19-5158 | EJR 25 | 19-5175 | EJR 42 | 19-5192 |
| EJR 9 | 19-5159 | EJR 26 | 19-5176 | EJR 43 | 19-5193 |
| EJR 10 | 19-5160 | EJR 27 | 19-5177 | EJR 44 | 19-5194 |
| EJR 11 | 19-5161 | EJR 28 | 19-5178 | EJR 45 | 19-5195 |
| EJR 12 | 19-5162 | EJR 29 | 19-5179 | EJR 46 | 19-5196 |
| EJR 13 | 19-5163 | EJR 30 | 19-5180 | EJR 47 | 19-5197 |
| EJR 14 | 19-5164 | EJR 31 | 19-5181 | EJR 48 | 19-5198 |
| EJR 15 | 19-5165 | EJR 32 | 19-5182 | EJR 49 | 19-5199 |
| EJR 16 | 19-5166 | EJR 33 | 19-5183 | EJR 50 | 19-5200 |
| EJR 17 | 19-5167 | EJR 34 | 19-5184 | | |



CARBURETTORS:

AMAL LIMITED. HOLDFORD ROAD. WITTON. BIRMINGHAM 6.

CHAINS:

REYNOLDS CHAINS LIMITED. WYTHENSHAW. MANCHESTER.

ELECTRICAL EQUIPMENT:

J. LUCAS LIMITED. GREAT HAMPTON STREET. BIRMINGHAM 18.

WIPAC GROUP SALES LIMITED. LONDON ROAD. BUCKINGHAM.

SPEEDOMETERS:

SMITH'S MOTOR ACCESSORIES LIMITED. CRICKLEWOOD WORKS. LONDON N.W.2.

TYRES:

DUNLOP COMPANY LIMITED. FORT DUNLOP. BIRMINGHAM 24.

SPARKING PLUGS:

CHAMPION SPARKING PLUG COMPANY LIMITED. FELTHAM. MIDDLESEX.

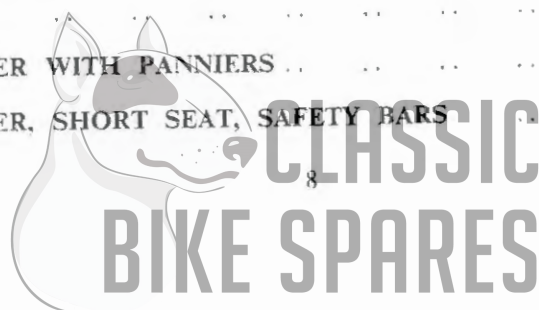
SHOCK ABSORBERS:

GIRLING LIMITED. BIRMINGHAM ROAD. WEST BROMWICH. STAFFS.



INDEX

| | | |
|----------|--|--------------|
| | ASSEMBLIES COMPLETE | Page 9 |
| Plate 1 | CYLINDER HEAD | Page 10 - 13 |
| Plate 2 | CYLINDER BARREL, EXHAUST PIPES, VALVES | Page 14 - 15 |
| Plate 3 | CRANKSHAFT | Page 16 - 17 |
| Plate 4 | CRANKCASE | Page 18 - 19 |
| Plate 5 | OIL PUMP, GEARBOX SPROCKET | Page 20 - 21 |
| Plate 6 | GEAR CLUSTER, CAMSHAFT | Page 22 - 25 |
| Plate 7 | INNER TIMING COVER, GEARCHANGE MECHANISM | Page 26 - 27 |
| Plate 8 | OUTER TIMING COVER, KICKSTART AND FOOTCHANGE | Page 28 - 29 |
| Plate 9 | CLUTCH AND PRIMARY CHAINCASE | Page 30 - 33 |
| Plate 10 | FRAME, ENGINE SHIELD, BATTERY CARRIER | Page 34 - 37 |
| Plate 11 | SWINGING ARM, CENTRE STAND, REAR BRAKE CONTROL | Page 38 - 41 |
| Plate 12 | HANDRAIL, SUPPORT RAIL, FOOTRESTS | Page 42 - 43 |
| Plate 13 | OIL TANK, TOOLBOX, SILENCERS | Page 44 - 45 |
| Plate 14 | SIDECOVERS, AIR CLEANER | Page 46 - 47 |
| Plate 15 | STEERING HEAD | Page 48 - 49 |
| Plate 16 | FRONT FORKS | Page 50 - 51 |
| Plate 17 | FRONT WHEEL | Page 52 - 53 |
| Plate 18 | REAR WHEEL | Page 54 - 57 |
| Plate 19 | FRONT MUDGUARD | Page 58 - 59 |
| Plate 20 | REAR MUDGUARD AND CHAINGUARD | Page 60 - 61 |
| Plate 21 | PETROL TANK (STEEL), TWIN SEAT | Page 62 - 65 |
| Plate 22 | PETROL TANK, HANDLEBAR AND CONTROLS | Page 66 - 69 |
| Plate 23 | ELECTRICAL EQUIPMENT | Page 70 - 75 |
| Plate 24 | CARBURETTER | Page 76 - 77 |
| Plate 25 | TOOLKIT | Page 78 - 79 |
| Plate 26 | REAR CARRIER WITH PANNIERS | Page 80 - 81 |
| Plate 27 | REAR CARRIER, SHORT SEAT, SAFETY BARS | Page 82 - 83 |



ASSEMBLIES COMPLETE

| <i>Model</i> | <i>Spares No.</i> | <i>Description</i> |
|--------------|-------------------|---|
| L | 71-1091 | ENGINE/GEARBOX UNIT (standard gears, 20 teeth gearbox sprocket). |
| F | 71-1093 | ENGINE/GEARBOX UNIT (standard gears, 20 teeth gearbox sprocket) |
| T | 71-1094 | ENGINE/GEARBOX UNIT (standard gears, 20 teeth gearbox sprocket). |
| F | 71-1096 | ENGINE/GEARBOX UNIT (standard gears, 18 teeth gearbox sprocket). |
| L | 71-1092 | ENGINE/GEARBOX UNIT (close ratio gears, 20 teeth gearbox sprocket). |
| I, T, F | 71-1151 | CRANKSHAFT AND FLYWHEEL ASSEMBLY. |
| R | 68-0737 | CRANKSHAFT AND FLYWHEEL ASSEMBLY. |
| L, T, R, F | 68-3270 | CLUTCH COMPLETE. |
| L, T, R, F | 71-1135 | OIL PUMP COMPLETE. |
| L, T, R, F | 83-1576 | FRAME COMPLETE. |
| L, T, R, F | 97-3902 | FRONT FORK COMPLETE. |
| L, T, R, F | 37-3405 | FRONT WHEEL WITH SPINDLE AND BEARINGS. |
| L, T, R, F | 37-3404 | FRONT HUB WITH SPINDLE AND BEARINGS. |
| L, T, R, F | 37-3461 | FRONT BRAKE ANCHOR PLATE WITH BRAKE DETAILS. |
| L, T, R, F | 68-6145 | REAR WHEEL WITH SPINDLE AND BEARINGS. |
| L, T, R, F | 68-6114 | REAR HUB WITH SPINDLE AND BEARINGS. |



Plate 1

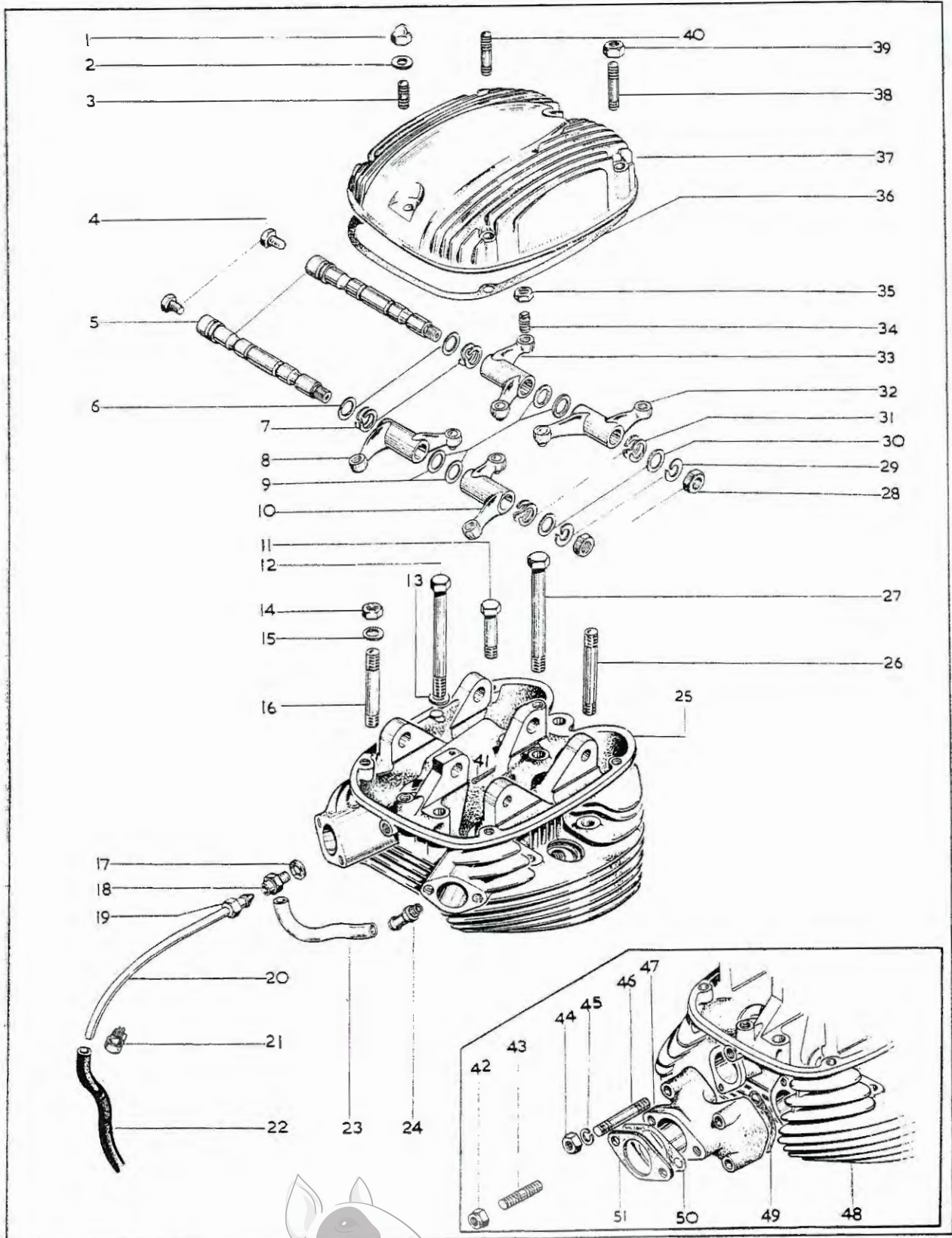
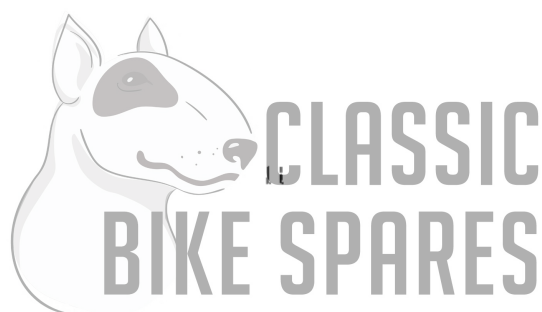
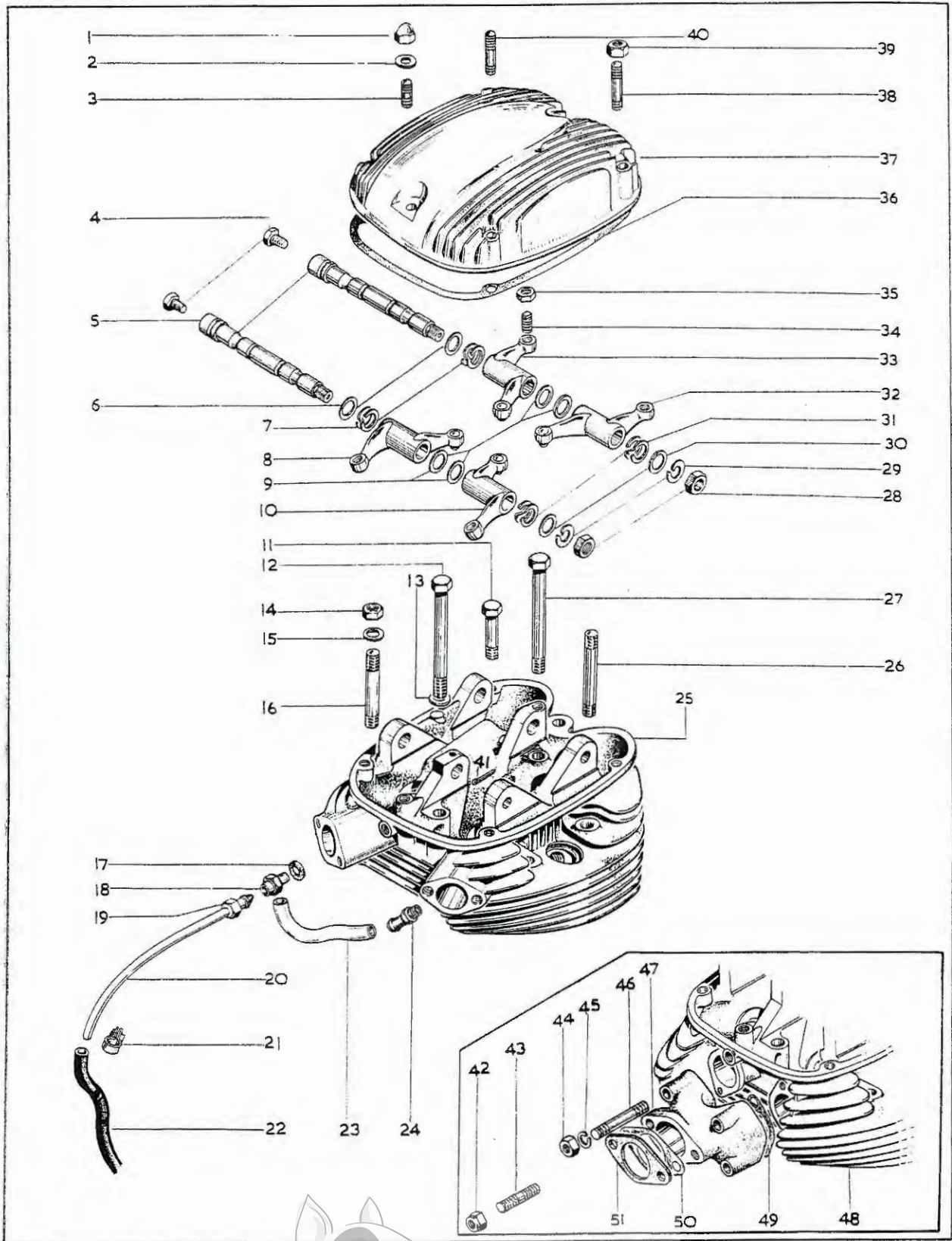


Plate 1

CYLINDER HEAD

| <i>Model</i> | <i>Plate Ref.</i> | <i>Spare No.</i> | <i>Description</i> | <i>Per Set</i> |
|--------------|-------------------|------------------|---|----------------|
| R | | 00-3170 | Decoke gasket set | 1 |
| L, T, F | | 00-3169 | Decoke gasket set | 1 |
| R | | 00-3312 | Full gasket set | 1 |
| L, T, F | | 00-3311 | Full gasket set | 1 |
| L, T, R, F | 1. | 68-0137 | Domed nut, rocker box ($\frac{1}{4}$ " British Standard Cycle) | 2 |
| L, T, R, F | 2. | 02-0525 | Washer, rocker box studs ($\frac{1}{4}$ " \times $\frac{1}{2}$ " \times .048") | 6 |
| L, T, R, F | 3. | 68-0087 | Rocker box stud, rear ($\frac{1}{4}$ " British Standard Cycle/ British Standard Fine \times 29/32") | 1 |
| L, T, R, F | 3. | 68-0876 | Rocker box stud, front ($\frac{1}{4}$ " British Standard Cycle/ British Standard Fine \times 1-17/32") | 1 |
| L, T, R, F | 4. | 68-0344 | Bolt, rocker spindle ($\frac{1}{4}$ " Whitworth) | 2 |
| L, T, R, F | 5. | 68-0192 | Rocker spindle, inlet and exhaust | 2 |
| L, T, R, F | 6. | 40-0158 | Thrust washer, rocker | 2 |
| L, T, R, F | 7. | 40-0156 | Spring washer, rocker | 2 |
| L, T, R, F | 8. | 68-0147 | Inlet rocker (left-hand) | 1 |
| L, T, R, F | 9. | 40-0158 | Thrust washer, rocker | 4 |
| L, T, R, F | 10. | 68-0149 | Inlet rocker (right-hand) | 1 |
| L, T, R, F | 11. | 67-0283* | Bolt, short, cylinder head ($\frac{3}{8}$ " British Standard Fine \times 1 $\frac{1}{2}$ ") | 1 |
| L, T, R, F | 12. | 68-0337* | Bolt, long, cylinder head, rear ($\frac{3}{8}$ " British Standard Fine \times 4 $\frac{1}{16}$ ") | 2 |
| L, T, R, F | 13. | 02-2138 | Washer, head to barrel | 2 |
| L, T, R, F | 14. | 40-0483* | Stud nut, cylinder head ($\frac{3}{8}$ " British Standard Cycle) | 4 |
| L, T, R, F | 15. | 02-2138 | Washer, head to barrel ($\frac{3}{8}$ " \times $\frac{3}{4}$ " \times $\frac{1}{16}$ ") | 7 |
| L, T, R, F | 16. | 68-0079* | Stud, short, cylinder head ($\frac{3}{8}$ " British Standard Cycle/ British Standard Fine \times 2-13/16") | 2 |
| L, T, R, F | 17. | 76-0378 | Fibre washer, oil feed union | 1 |
| L, T, R, F | 18. | 76-0308 | Adaptor, rocker oil feed pipe | 1 |
| L, T, R, F | 19. | 29-2089 | Nut, rocker oil feed pipe | 1 |
| L, F | 20. | 68-0927 | Rocker oil feed pipe | 1 |
| T, R | 20. | 68-0925 | Rocker oil feed pipe | 1 |
| L, T, R, F | 21. | 62-0263 | Clip, oil feed pipe | 2 |
| L, F | 22. | 68-0923 | Rubber connection, oil feed pipe | 1 |
| T, R | 22. | 68-0924 | Rubber connection, oil feed pipe | 1 |
| L, F | 23. | 70-8213 | Inlet balance pipe | 1 |
| L, F | 24. | 70-8214 | Balance pipe spigot | 2 |
| L, F | 25. | 68-0879 | Cylinder head with fixed fittings | 1 |



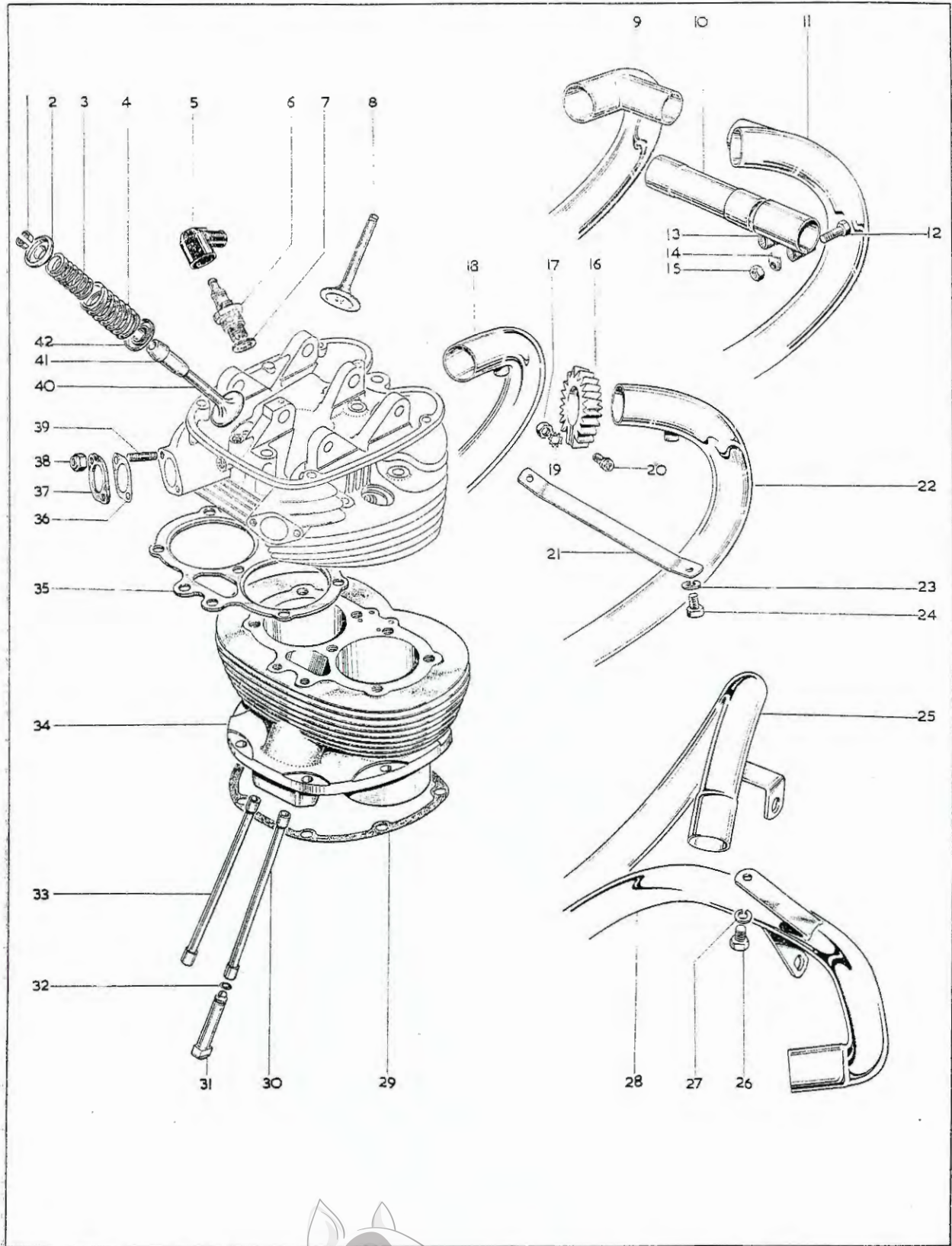


CYLINDER HEAD

| Model | Plate Ref. | Spares No. | Description | Per Set |
|------------|------------|------------|---|---------|
| L, T, R, F | 26. | 68-0081* | Stud, long, cylinder head ($\frac{3}{8}$ " British Standard Cycle/British Standard Fine $\times 3\frac{1}{8}$ ") | 2 |
| L, T, R, F | 27. | 68-0337 | Bolt, long, cylinder head, front | 2 |
| L, T, R, F | 28. | 02-0449 | Nut, rocker spindle | 2 |
| L, T, R, F | 29. | 02-0522 | Washer, rocker spindle ($\cdot 390" \times \cdot 750" \times \cdot 056"$) | 2 |
| L, T, R, F | 30. | 40-0157 | Thrust washer, rocker | 2 |
| L, T, R, F | 31. | 40-0156 | Spring washer, rocker | 2 |
| L, T, R, F | 32. | 68-0153 | Exhaust rocker (right-hand) | 1 |
| L, T, R, F | 33. | 68-0151 | Exhaust rocker (left-hand) | 1 |
| L, T, R, F | 34. | 68-0155 | Adjuster screw, rocker ($\frac{5}{16}$ " British Standard Cycle) | 4 |
| L, T, R, F | 35. | 24-0563 | Adjuster nut, rocker ($\frac{5}{16}$ " British Standard Cycle).. .. . | 4 |
| L, T, R, F | 36. | 70-8319 | Rocker box gasket | 1 |
| L, T, R, F | 37. | 68-0830 | Rocker box cover | 1 |
| L, T, R, F | 38. | 68-0138 | Stud, long, rocker box ($\frac{1}{4}$ " British Standard Fine/ British Standard Cycle) | 2 |
| L, T, R, F | 39. | 02-2395 | Stud nut, rocker box ($\frac{1}{4}$ " British Standard Cycle) | 4 |
| L, T, R, F | 40. | 68-0143 | Stud, short, rocker box ($\frac{1}{4}$ " British Standard Fine/ British Standard Cycle) | 2 |
| L, T, R, F | 41. | 60-2684 | Oilway split pin | 1 |
| T, R | 42. | 42-4476 | Nut, carburetter mounting ($\frac{5}{16}$ " British Standard Cycle) | 2 |
| T, R | 43. | 68-0018 | Stud, carburetter mounting ($\frac{5}{16}$ " British Standard Fine/British Standard Cycle) | 2 |
| T, R | 44. | 40-3226 | Nut, manifold to head ($\frac{1}{4}$ " British Standard Cycle) | 4 |
| T, R | 45. | 24-0978 | Washer for nut, line 44 ($\frac{1}{4}" \times 7/16" \times \cdot 040"$) | 4 |
| T, R | 46. | 68-0067 | Stud, manifold to head ($\frac{1}{4}$ " British Standard Fine/British Standard Cycle) | 4 |
| R | 47. | 68-0223 | Inlet manifold | 1 |
| T | 47. | 68-0224 | Inlet manifold | 1 |
| R | 48. | 68-0881 | Cylinder head with fixed fittings | 1 |
| T | 48. | 68-0844 | Cylinder head with fixed fittings | 1 |
| T, R | 49. | 68-0071 | Gasket, manifold to head | 2 |
| T, R | 50. | 65-1417 | Gasket, carburetter to manifold | 1 |
| T, R | 51. | 70-7821 | Insulating washer, carburetter | 1 |

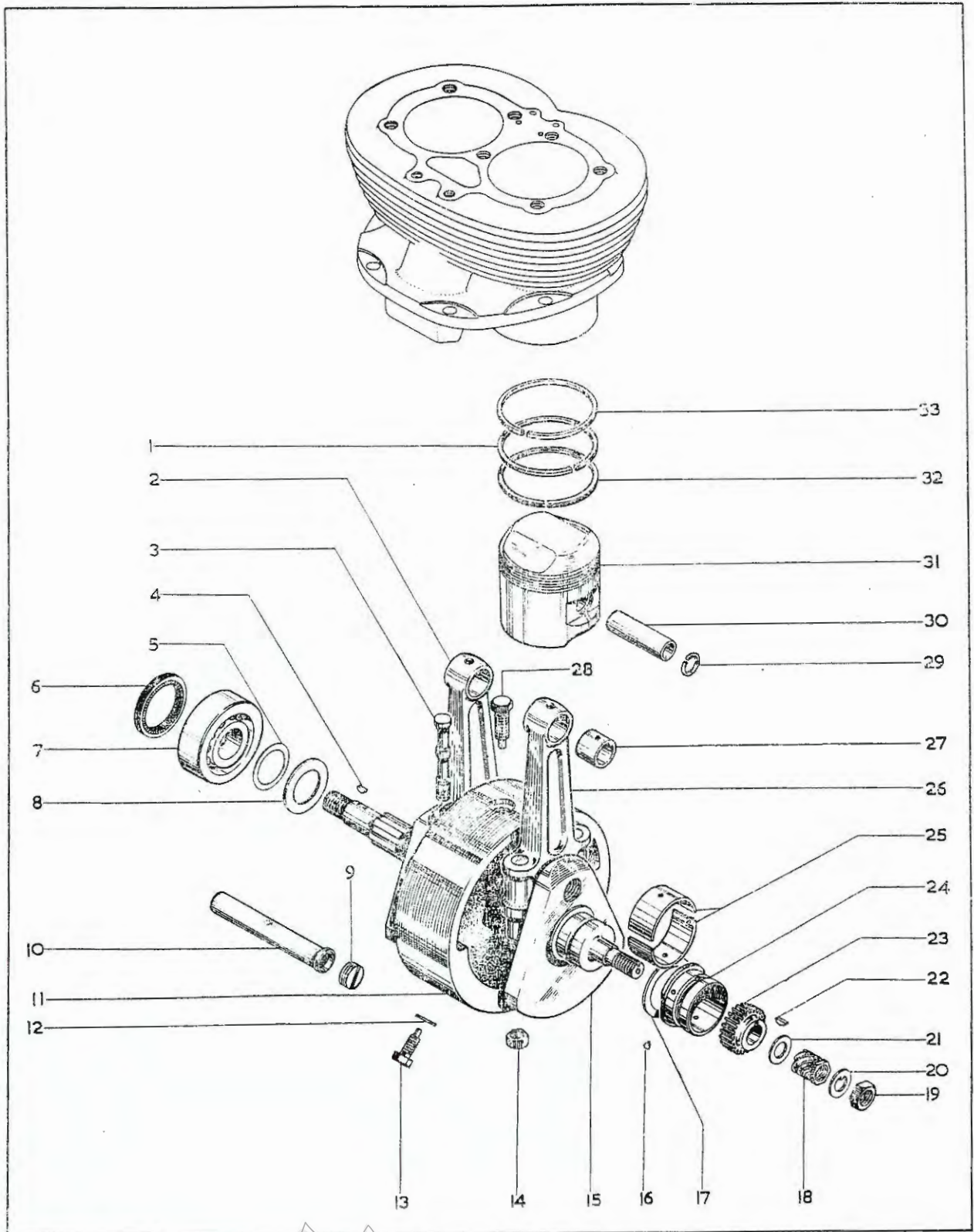
*Special material: 4.—EN14B. 11.—EN15. 12.—EN14B. 14.—EN14B. 16.—EN15. 26.—EN15.





CYLINDER BARREL, EXHAUST PIPES, VALVES

| Model | Plate Ref. | Spares No. | Description | Per Set |
|------------|------------|------------|--|---------|
| L, T, R, F | 1. | 71-1166 | Collet, valve springs | 8 |
| L, T, R, F | 2. | 71-1165 | Top collar, valve springs | 4 |
| L, T, R, F | 3. | 71-1177 | Inner valve spring | 4 |
| L, T, R, F | 4. | 68-0930 | Outer valve spring | 4 |
| L, T, R, F | 5. | 19-7625 | Spark plug cover (Champion WC548) | 2 |
| L, F | 6. | 19-7606 | Spark plug (Champion N3) | 2 |
| T, R | 6. | 19-7616 | Spark plug (Champion N4) | 2 |
| L, T, R, F | 7. | 66-0102 | Spark plug washer | 2 |
| R | 8. | 68-0662 | Exhaust valve | 2 |
| L, T, F | 8. | 68-0663 | Exhaust valve | 2 |
| L, T | 9. | 70-9127 | Exhaust pipe (left-hand) | 1 |
| L, T | 10. | 70-9890 | Cross tube, exhaust pipe | 1 |
| L, T | 11. | 70-9130 | Exhaust pipe (right-hand) | 1 |
| L, T | 12. | 14-0204 | Bolt, cross tube clip ($\frac{1}{4}$ " Unified Fine $\times 1\frac{3}{8}$ ") | 4 |
| L, T | 13. | 70-9627 | Cross tube clip | 2 |
| L, T | 14. | 70-9626 | Cap, cross tube clip | 8 |
| L, T | 15. | 14-0301 | Nut for bolt, line 12 ($\frac{1}{4}$ " Unified Fine) | 4 |
| L, T, R | 16. | 42-2848 | Finned collar, exhaust pipes | 2 |
| L, T, R | 17. | 14-0301 | Nut for screw, line 20 ($\frac{1}{4}$ " Unified Fine) | 2 |
| R | 18. | 68-2789 | Exhaust pipe (left-hand) | 1 |
| L, T, R | 19. | 29-0541 | Lockwasher for nut, line 17 | 2 |
| L, T, R | 20. | 14-0609 | Screw, finned collar ($\frac{1}{4}$ " Unified Fine $\times 1\frac{1}{4}$ ") | 2 |
| R | 21. | 68-2794 | Tie bracket, exhaust pipes | 1 |
| R | 22. | 68-2791 | Exhaust pipe (right-hand) | 1 |
| R | 23. | 82-9020 | Spring washer for bolt, line 24 ($\frac{1}{4}$ ") | 2 |
| R | 24. | 02-0220 | Bolt, tie bracket to exhaust pipe ($\frac{1}{4}$ " British Standard Cycle $\times \frac{3}{8}$ ") | 2 |
| F | 25. | 70-9198 | Exhaust pipe (left-hand) | 1 |
| F | 26. | 14-0101 | Bolt, tie bracket to exhaust pipe ($\frac{1}{4}$ " Unified Fine $\times \frac{1}{2}$ ") | 2 |
| F | 27. | 82-9020 | Spring washer for bolt, line 26 ($\frac{1}{4}$ ") | 2 |
| F | 28. | 70-9200 | Exhaust pipe (right-hand) | 1 |
| L, T, R, F | 29. | 71-1036 | Cylinder base gasket | 1 |
| R | 30. | 68-0365 | Inlet push rod | 2 |
| L, T, F | 30. | 68-0370 | Inlet push rod | 2 |
| L, T, R, F | 31. | 68-0362 | Inlet and exhaust tappet | 4 |
| L, T, R, F | 32. | 68-0163 | Tappet circlip | 4 |
| R | 33. | 68-0367 | Exhaust push rod | 2 |
| L, T, F | 33. | 68-0372 | Exhaust push rod | 2 |
| L, T, F | 34. | 71-1195 | Cylinder barrel complete | 1 |
| R | 34. | 71-1196 | Cylinder barrel complete | 1 |
| L, T, F | 35. | 68-0827 | Cylinder head gasket | 1 |
| R | 35. | 68-0828 | Cylinder head gasket | 1 |
| L, F | 36. | 65-1417 | Carburettor gasket | 2 |
| L, F | 37. | 70-7821 | Carburettor insulating washer | 2 |
| L, F | 38. | 42-4476 | Nut, carburettor stud ($\frac{5}{16}$ " British Standard Cycle) | 4 |
| L, F | 39. | 68-0018 | Carburettor stud ($\frac{5}{16}$ " British Standard Cycle/British Standard Fine $\times 1\frac{3}{8}$ ") | 4 |
| R | 40. | 68-0661 | Inlet valve | 2 |
| L, T, F | 40. | 68-0665 | Inlet valve | 2 |
| L, T, R, F | 41. | 68-0809 | Valve guide, inlet and exhaust | 4 |
| L, T, R, F | 42. | 68-0931 | Bottom cup, valve spring | 4 |

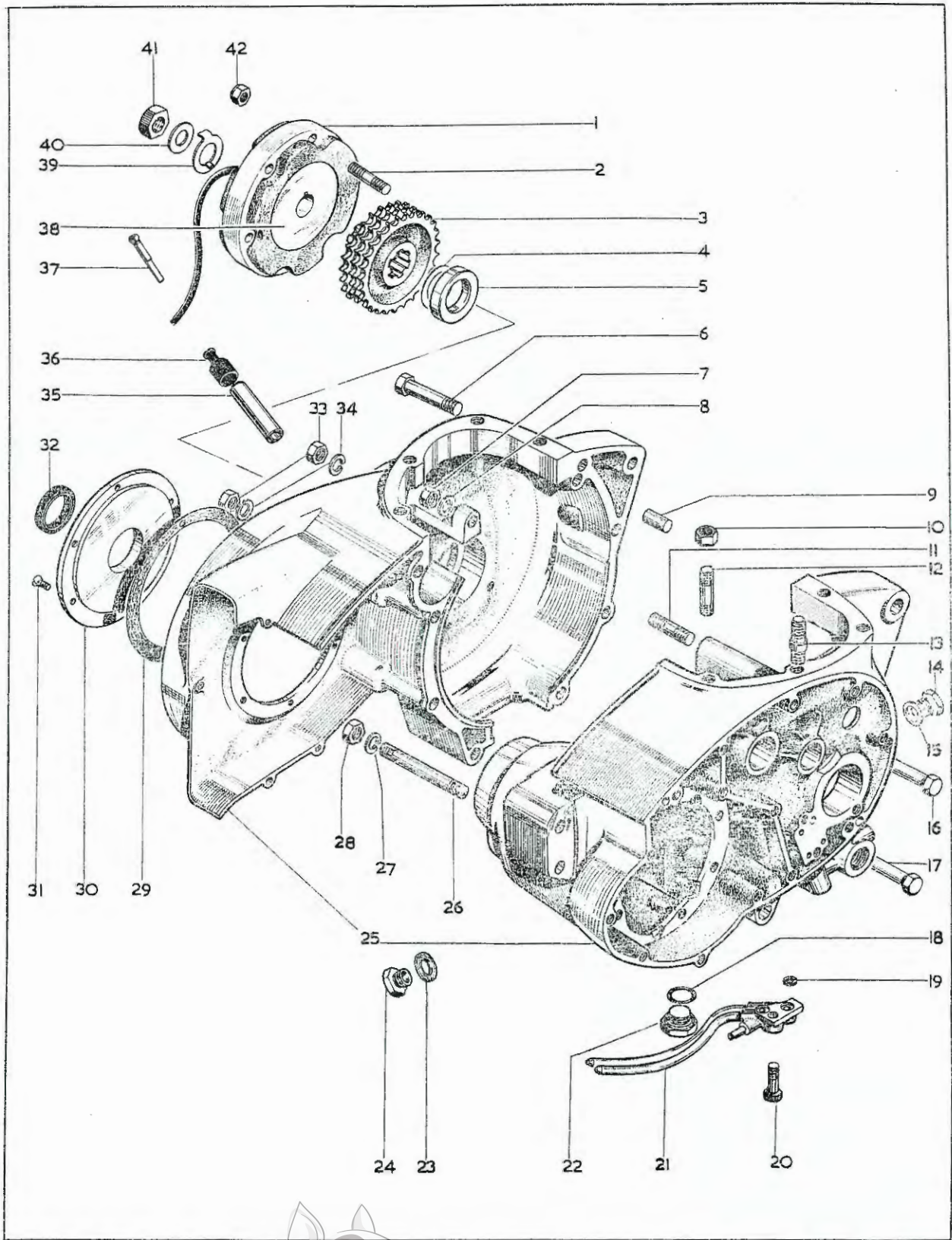


CRANKSHAFT

| Model | Plate Ref. | Spares No. | Description | Per Set |
|------------|------------|------------|---|----------|
| L, T, F | 1. | 68-0357* | Taper piston ring, centre | 2 |
| R | 1. | 68-0354* | Taper piston ring, centre | 2 |
| L, T, R, F | 2. | 71-1106 | Connecting rod complete, less big-end shell (left-hand) .. | 1 |
| L, T, R, F | 3. | 67-1536† | Connecting rod bolt ($\frac{5}{16}$ " British Standard Cycle) .. | 4 |
| L, T, R, F | 4. | 41-0673 | Crankshaft key, rotor | 1 |
| L, T, R, F | 5. | 68-0633 | Crankshaft shim (.003") | as reqd. |
| L, T, R, F | 5. | 68-0634 | Crankshaft shim (.005") | as reqd. |
| L, T, R, F | 5. | 68-0635 | Crankshaft shim (.010") | as reqd. |
| L, T, R, F | 6. | 67-0674 | Crankcase oil seal, drive-side | 1 |
| L, T, R, F | 7. | 68-0625 | Crankshaft bearing, drive-side (Hoffman RM11L) .. | 1 |
| L, T, R, F | 8. | 68-0638 | Shim retaining clip | 1 |
| L, T, R, F | 9. | 68-0184 | Crankshaft oil tube plug | 1 |
| L, T, R, F | 10. | 68-0185 | Crankshaft oil tube | 1 |
| L, T, F | 11. | 71-1153 | Flywheel only | 1 |
| R | 11. | 68-0680 | Flywheel only | 1 |
| L, T, R, F | 12. | 71-1003 | Washer for flywheel bolts ($\frac{3}{8}$ ") | 3 |
| L, T, R, F | 13. | 68-0580† | Flywheel bolt ($\frac{3}{8}$ " British Standard Cycle) .. | 2 |
| L, T, R, F | 14. | 75-6594 | Nut for connecting rod bolt ($\frac{5}{16}$ " British Standard Cycle) .. | 4 |
| L, T, R, F | 15. | 68-0734 | Crankshaft only | 1 |
| L, T, R, F | 16. | 67-0793 | Dowel, crankshaft bush | 1 |
| L, T, R, F | 17. | 68-0685 | Thrust washer, crankshaft bush | 1 |
| L, T, R, F | 19. | 68-0050 | Pinion, oil pump drive | 1 |
| L, T, R, F | 19. | 67-0643 | Crankshaft nut, gear-side | 1 |
| L, T, R, F | 20. | 67-0644 | Lockwasher for nut, line 19 | 1 |
| L, T, R, F | 21. | 67-0645 | Washer, pump drive pinion | 1 |
| L, T, R, F | 22. | 40-3150 | Key, crankshaft pinion | 1 |
| L, T, R, F | 23. | 67-0339 | Crankshaft pinion | 1 |
| L, T, R, F | 24. | 68-0657 | Crankshaft bush (standard) | 1 |
| L, T, R, F | 24. | 68-0647 | Crankshaft bush (.010" undersize) | 1 |
| L, T, R, F | 24. | 68-0648 | Crankshaft bush (.020" undersize) | 1 |
| L, T, R, F | 25. | 67-1430 | Connecting rod big-end shell (standard) | 4 |
| L, T, R, F | 25. | 67-1431 | Connecting rod big-end shell (.010" undersize) | 4 |
| L, T, R, F | 25. | 67-1432 | Connecting rod big-end shell (.020" undersize) | 4 |
| L, T, R, F | 25. | 67-1433 | Connecting rod big-end shell (.030" undersize) | 4 |
| L, T, R, F | 26. | 71-1105 | Connecting rod complete, less big-end shell (right-hand) .. | 1 |
| L, T, R, F | 27. | 67-0298 | Connecting rod small-end bush | 2 |
| L, T, R, F | 28. | 68-0581 | Flywheel bolt, oil tube location | 1 |
| L, T, R, F | 29. | 66-0954 | Gudgeon pin circlip | 4 |
| L, T, F | 30. | 65-0440 | Gudgeon pin | 2 |
| R | 30. | 68-0263 | Gudgeon pin | 2 |
| L, T, F | 31. | 68-0906* | Piston complete (9 to 1 ratio) | 2 |
| R | 31. | 68-0434* | Piston complete (9 to 1 ratio) | 2 |
| L, T, F | 32. | 68-0259* | Piston scraper ring | 2 |
| R | 32. | 68-0299* | Piston scraper ring | 2 |
| L, T, F | 33. | 68-0256* | Top piston ring | 2 |
| R | 33. | 68-0296* | Top piston ring | 2 |

*See page 4 for piston details.

†Special material: 3.—EN24, 13.—EN24.

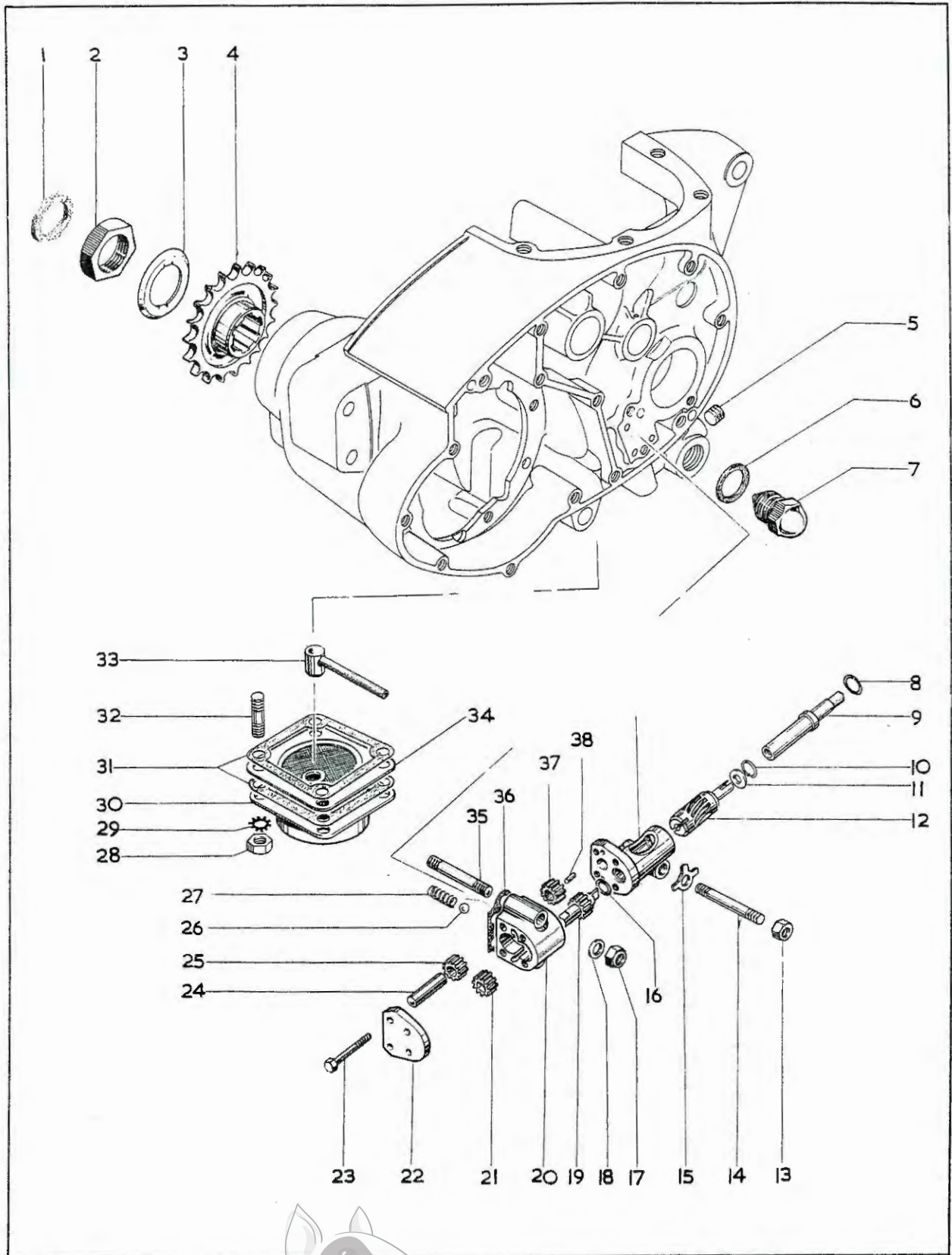


CRANKCASE

| Model | Plate Ref. | Spares No. | Description | Per Set |
|------------|------------|------------|---|----------|
| L, T, R, F | 1. | 19-1262 | Stator (Lucas 47205) | 1 |
| L, T, R, F | 2. | 14-1621* | Stud, stator mounting ($\frac{5}{16}$ " U.N.F./UNC. $\times 1\frac{1}{2}$ ") | 3 |
| L, T, R, F | 3. | 68-0205 | Engine sprocket (28 teeth) | 1 |
| L, T, R, F | 4. | 40-0066 | Shim, engine sprocket ($\cdot 010$ "; $\cdot 254$ mm.) | as reqd. |
| L, T, R, F | 4. | 40-0069 | Shim, engine sprocket ($\cdot 015$ "; $\cdot 381$ mm.) | as reqd. |
| L, T, R, F | 5. | 68-0688 | Distance piece, engine sprocket | 1 |
| L, T, R, F | 6. | 14-0221 | Bolt, crankcase top front ($\frac{5}{16}$ " Unified Fine $\times 2$ ") | 2 |
| L, T, R, F | 7. | 14-0302 | Nut, crankcase stud ($\frac{5}{16}$ " Unified Fine) | 1 |
| L, T, R, F | 8. | 24-8784 | Spring washer for nut, line 7 | 1 |
| L, T, R, F | 9. | 27-1589 | Dowel, crankcase | 1 |
| L, T, R, F | 10. | 14-0302 | Nut, barrel to crankcase ($\frac{5}{16}$ " Unified Fine) | 8 |
| L, T, R, F | 11. | 21-1849 | Stud, top centre crankcase ($\frac{5}{16}$ " Unified Fine/Unified Coarse $\times 1\frac{1}{2}$ ") | 1 |
| L, T, R, F | 12. | 21-2000* | Stud barrel to crankcase ($\frac{5}{16}$ " Unified Fine/Unified Coarse $\times 1-7/16$ ") | 6 |
| L, T, R, F | 13. | 21-2001* | Stud barrel to crankcase ($\frac{5}{16}$ " Unified Fine/Unified Coarse $\times 1-7/16$ ") | 2 |
| L, T, R, F | 14. | 21-1872 | Sealing plug, crankcase | 1 |
| L, T, R, F | 15. | 70-8896 | Sealing plug washer | 1 |
| L, T, R, F | 16. | 14-6221 | Bolt, crankcase front ($\frac{5}{16}$ " Unified Coarse $\times 2$ ") | 2 |
| L, T, R, F | 17. | 14-0226 | Bolt, crankcase bottom ($\frac{5}{16}$ " Unified Fine $\times 3\frac{1}{4}$ ") | 1 |
| L, T, R, F | 18. | 68-3168 | "O" ring for drain plug, line 22 | 1 |
| L, T, R, F | 19. | 68-0588 | "O" ring, oil pipe union | 2 |
| L, T, R, F | 20. | 21-1973 | Bolt, oil pipe union to crankcase ($\frac{5}{16}$ " Unified Coarse $\times \frac{7}{8}$ ") | 1 |
| L, T, R, F | 21. | 68-0942 | Oil pipe union, crankcase | 1 |
| L, T, R, F | 22. | 21-1857 | Gearbox drain plug | 1 |
| L, T, R, F | 23. | 15-0203 | Washer for plug, line 24 | 1 |
| L, T, R, F | 24. | 57-3745 | Cam plate plunger plug | 1 |
| L, T, R, F | 25. | 71-1108 | Crankcase complete with fixed fittings | 1 |
| L, T, R, F | 26. | 21-1850 | Stud, rear crankcase ($\frac{5}{16}$ " Unified Fine/Unified Coarse $\times 3-7/16$ ") | 3 |
| L, T, R, F | 27. | 24-8784 | Spring washer for nut, line 28 | 3 |
| L, T, R, F | 28. | 14-0302 | Nut, crankcase stud | 3 |
| L, T, R, F | 29. | 40-0241 | Gasket, primary case back plate | 1 |
| L, T, R, F | 30. | 68-0236 | Cover plate, primary case back | 1 |
| L, T, R, F | 31. | 40-0246 | Screw, cover plate to crankcase | 6 |
| L, T, R, F | 32. | 68-0235 | Oil seal, primary case back plate | 1 |
| L, T, R, F | 33. | 14-0302 | Nut, crankcase bolt ($\frac{5}{16}$ " Unified Fine) | 2 |
| L, T, R, F | 34. | 24-8784 | Spring washer for nut, line 33 ($\frac{5}{16}$ " $\times \frac{5}{8}$ " $\times \cdot 040$ ") | 4 |
| L, T, R, F | 35. | 70-7844 | Cable guide, alternator | 1 |
| L, T, R, F | 36. | 68-0209 | Oil seal, cable guide | 1 |
| L, T, R, F | 37. | 70-7878 | Clip, alternator cable | 1 |
| L, T, R, F | 38. | 19-8019 | Rotor (Lucas 54213901) | 1 |
| L, T, R, F | 39. | 68-0325 | Lockwasher, rotor nut | 1 |
| L, T, R, F | 40. | 68-0324 | Washer, rotor nut | 1 |
| L, T, R, F | 41. | 29-2023 | Rotor nut ($\frac{5}{8}$ " Unified Fine) | 1 |
| L, T, R, F | 42. | 21-1852* | Nut, stator mounting ($\frac{5}{16}$ " Unified Fine) | 3 |

*Special material: 2.—EN16R. 12.—EN15. 13.—EN14B. 42.—EN8R.



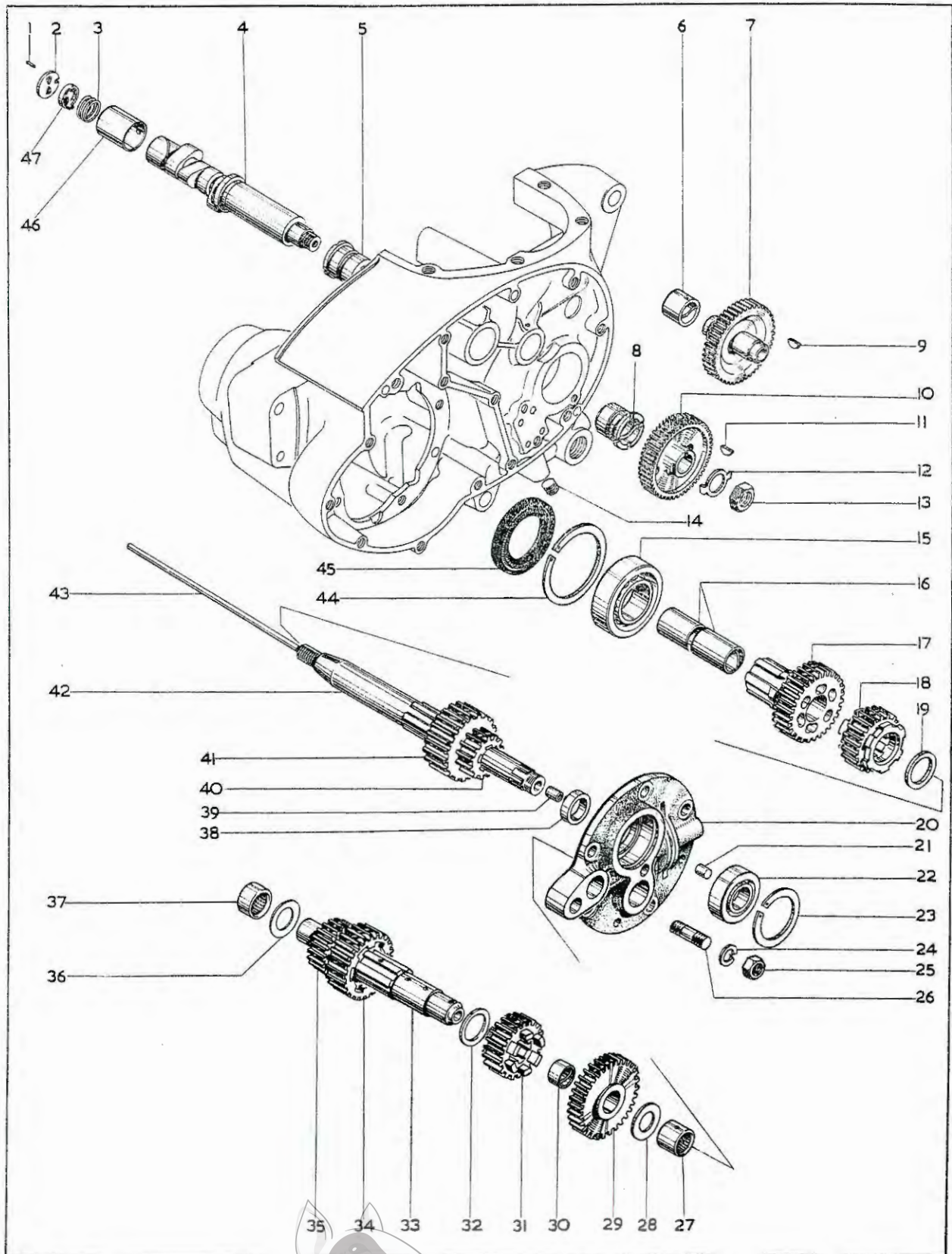


OIL PUMP, GEARBOX SPROCKET

| Model | Plate Ref. | Spares No. | Description | Per Set |
|----------------|------------|------------|---|---------|
| L, T, R, F | 1. | 68-3194 | Felt washer | 1 |
| L, T, R, F | 2. | 40-3051 | Nut, gearbox ($1\frac{3}{16}$ " Whitworth, 20 turns per inch) | 1 |
| L, T, R, F | 3. | 40-3121 | Lockwasher for nut, line 2 | 1 |
| R (Sidecar) | 4. | 68-3072 | Gearbox sprocket (17 teeth) | 1 |
| R (Solo) | 4. | 68-3093 | Gearbox sprocket (18 teeth) | 1 |
| L, T (Sidecar) | 4. | 68-3093 | Gearbox sprocket (18 teeth) | 1 |
| | 4. | 68-3078* | Gearbox sprocket (19 teeth) | 1 |
| L, T, F (Solo) | 4. | 68-3073 | Gearbox sprocket (20 teeth) | 1 |
| | 4. | 68-3089* | Gearbox sprocket (21 teeth) | 1 |
| L, T, R, F | 5. | 70-9526 | Blanking plug, oil hole | 2 |
| L, T, R, F | 6. | 70-9737 | Washer, oil release valve to crankcase | 1 |
| L, T, R, F | 7. | 71-1327 | Oil release valve assembly | 1 |
| L, F | 8. | 68-0588 | "O" ring, revolution counter drive pin | 1 |
| L, F | 9. | 68-0586 | Revolution counter drive pin | 1 |
| L, T, R, F | 10. | 42-0158 | Circlip, oil pump drive spindle | 1 |
| L, T, R, F | 11. | 42-0157 | Retaining washer, oil pump spindle | 1 |
| L, T, R, F | 12. | 68-0310 | Driving spindle, oil pump | 1 |
| L, T, R, F | 13. | 14-0301 | Nut for stud, line 14 ($\frac{1}{4}$ " Unified Fine) | 1 |
| L, T, R, F | 14. | 21-1848† | Stud, oil pump spindle housing ($\frac{1}{4}$ " Unified Fine/Unified Coarse $\times 2-7/16$ ") | 1 |
| L, T, R, F | 15. | 76-0138 | Lockwasher for nut, line 13 | 1 |
| L, T, R, F | 16. | 68-0289 | "O" ring, oil pump spindle housing | 1 |
| L, T, R, F | 17. | 14-1901 | Nut for stud, line 36 ($\frac{1}{4}$ " Unified Fine, Nyloc) | 2 |
| L, T, R, F | 18. | 68-0938 | Washer for nut, line 17 | 2 |
| L, T, R, F | 19. | 71-1145 | Oil pump feed gear, driver | 1 |
| L, T, R, F | 20. | 71-1137 | Oil pump body | 1 |
| L, T, R, F | 21. | 71-1144 | Oil pump scavenge gear, driver | 1 |
| L, T, R, F | 22. | 68-0936 | Oil pump end plate | 1 |
| L, T, R, F | 23. | 68-0937 | Screw, oil pump end plate | 4 |
| L, T, R, F | 24. | 71-1146 | Spindle, oil pump driven gears | 1 |
| L, T, R, F | 25. | 67-1406 | Oil pump scavenge gear, driven | 1 |
| L, T, R, F | 26. | 97-2704 | Ball, non-return valve ($\frac{1}{4}$ " diameter) | 1 |
| L, T, R, F | 27. | 68-0353 | Spring, non-return valve | 1 |
| L, T, R, F | 28. | 14-0301 | Nut for stud, line 32 | 4 |
| L, T, R, F | 29. | 29-0541 | Lockwasher for nut, line 28 | 4 |
| L, T, R, F | 30. | 67-1286 | Crankcase scavenge cover | 1 |
| L, T, R, F | 32. | 14-1401 | Stud, scavenge cover | 4 |
| L, T, R, F | 31. | 67-1288 | Gasket, scavenge cover | 2 |
| L, T, R, F | 33. | 68-0560 | Scavenge oil pipe | 1 |
| L, T, R, F | 34. | 71-1126 | Crankcase filter assembly | 1 |
| L, T, R, F | 35. | 21-1848† | Stud, oil pump body mounting | 1 |
| L, T, R, F | 36. | 68-0939 | Gasket, oil pump body to crankcase | 1 |
| L, T, R, F | 37. | 67-1404 | Oil pump driven feed gear | 1 |
| L, T, R, F | 38. | 71-1148 | Dowel, pump body to spindle housing | 2 |
| L, T, R, F | 39. | 71-1138 | Oil pump spindle housing | 1 |
| | | 71-1135 | Oil pump complete | 1 |

*Alternative sprockets.

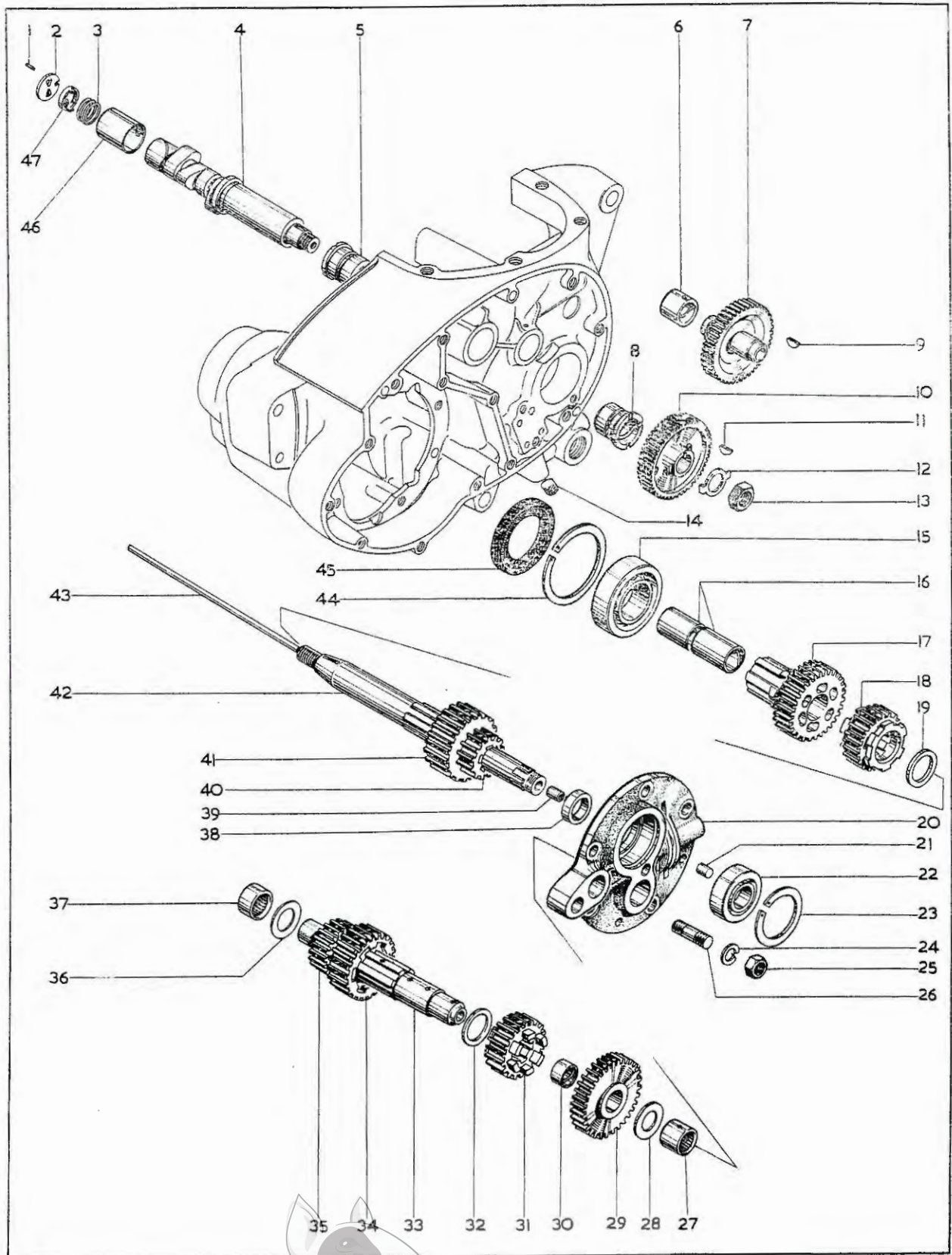
†Special material: 14.—EN14B, 35.—EN14B.



GEAR CLUSTER, CAMSHAFT

| <i>Model</i> | <i>Plate Ref.</i> | <i>Spares No.</i> | <i>Description</i> | <i>Per Set</i> |
|--------------|-------------------|-------------------|---|----------------|
| L, T, R, F | 1. | 40-0028 | Breather disc peg | 1 |
| L, T, R, F | 2. | 68-0130 | Static breather disc | 1 |
| L, T, R, F | 3. | 68-0132 | Breather valve spring | 1 |
| L, T, F | 4. | 68-0473 | Camshaft | 1 |
| R | 4. | 68-0103 | Camshaft | 1 |
| L, T, R, F | 5. | 68-0025 | Camshaft bush, gear-side | 1 |
| L, T, R, F | 6. | 70-9809 | Idler pinion bearing bush | 1 |
| L, T, R, F | 7. | 70-9104 | Idler pinion, timing gear | 1 |
| L, T, R, F | 8. | 68-0025 | Camshaft bush, gear-side | 1 |
| L, T, R, F | 9. | 27-1386 | Key, idler pinion | 1 |
| L, T, R, F | 10. | 67-0338 | Camshaft pinion | 1 |
| L, T, R, F | 11. | 40-0118 | Key, camshaft pinion | 1 |
| L, T, R, F | 12. | 67-0685 | Lockwasher, camshaft pinion | 1 |
| L, T, R, F | 13. | 24-7000 | Nut, camshaft pinion ($\frac{1}{2}$ " British Standard Cycle) | 1 |
| L, T, R, F | 14. | 70-9526 | Screwed plug, scavenge oil hole | 2 |
| L, T, R, F | 15. | 57-0448 | Bearing, mainshaft drive-side | 1 |
| L, T, R, F | 16. | 68-3178 | Bush, mainshaft top gear | 2 |
| L, T, R, F | 17. | 68-3115 | Mainshaft top gear (23 teeth) | 1 |
| L, T, R, F | 18. | 68-3120 | Mainshaft second gear (23 teeth) | 1 |
| L, T, R, F | 18. | 68-3114* | Mainshaft second gear (23 teeth) | 1 |
| L, T, R, F | 19. | 68-3021 | Spacing washer, mainshaft | 1 |
| L, T, R, F | 20. | 57-4023 | Bearing plate cover with fittings | 1 |
| L, T, R, F | 20. | 57-4025 | Bearing plate cover only | 1 |
| L, T, R, F | 21. | 68-0030 | Dowel, bearing plate | 1 |
| L, T, R, F | 22. | 57-3621 | Bearing, mainshaft gear-side (Hoffman LS8) | 1 |
| L, T, R, F | 23. | 67-3028 | Circlip, mainshaft bearing | 1 |
| L, T, R, F | 24. | 24-8784 | Spring washer for nut, line 25 | 5 |
| L, T, R, F | 25. | 14-0302 | Nut, bearing plate stud ($\frac{5}{16}$ " Unified Fine) | 5 |
| L, T, R, F | 26. | 14-1619† | Stud, gearbox bearing plate ($\frac{5}{16}$ " Unified Coarse/Unified Fine $\times 1\frac{1}{4}$ ") | 5 |
| L, T, R, F | 27. | 42-3075 | Bearing, layshaft gear-side (Torington B1212-OH) | 1 |
| L, T, R, F | 28. | 42-3079 | Thrust washer, layshaft | 1 |





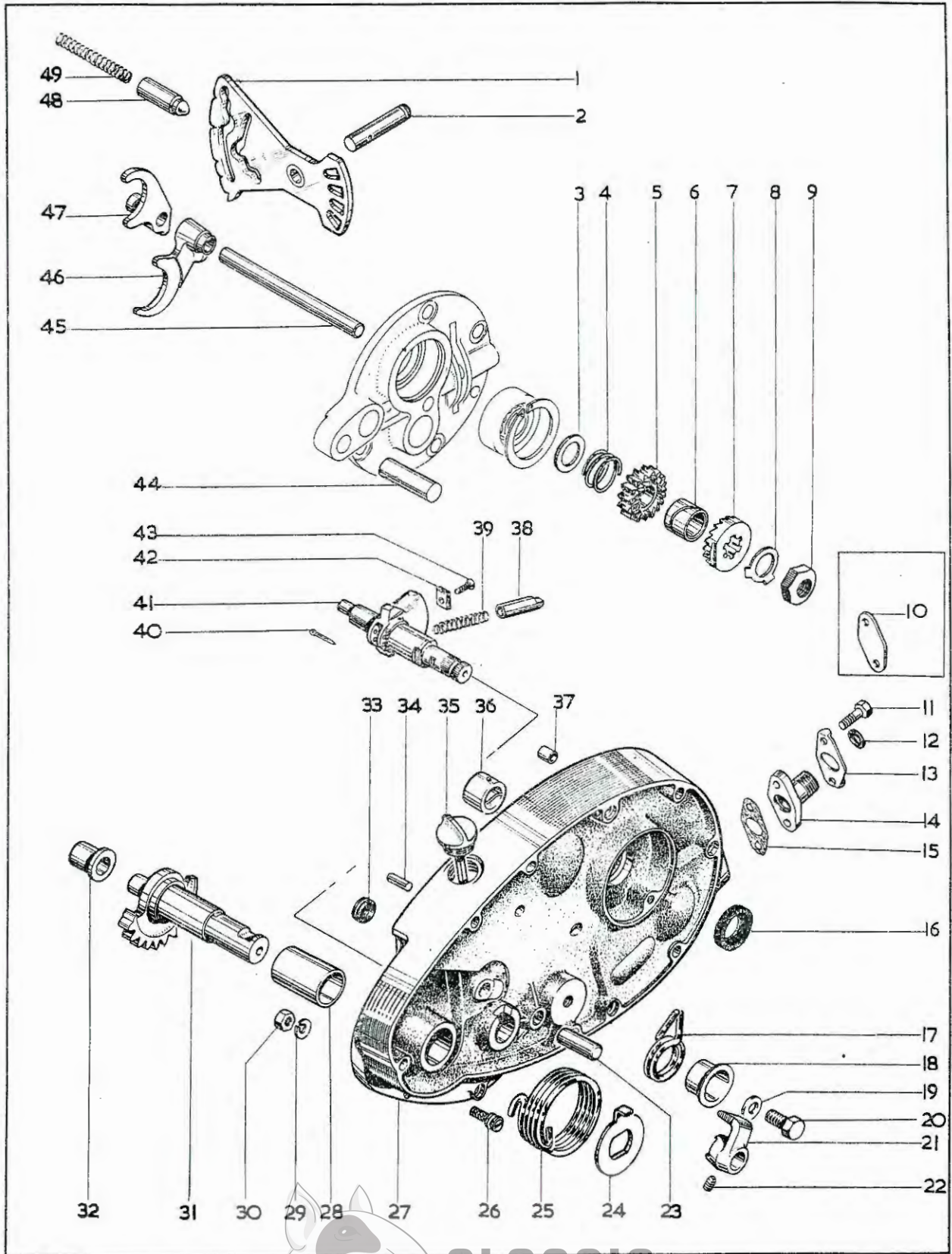
GEAR CLUSTER, CAMSHAFT

| Model | Plate Ref. | Spares No. | Description | Per Set |
|------------|------------|------------|--|----------|
| L, T, R, F | 29. | 68-3151 | Layshaft first gear (26 teeth) | 1 |
| L, T, R, F | 29. | 68-3128* | Layshaft first gear (24 teeth) | 1 |
| L, T, R, F | 30. | 67-3093 | Bush, layshaft first gear | 1 |
| L, T, R, F | 31. | 68-3120 | Layshaft third gear (22 teeth) | 1 |
| L, T, R, F | 31. | 68-3181* | Layshaft third gear (18 teeth) | 1 |
| L, T, R, F | 32. | 68-3021 | Spacing washer, layshaft | 1 |
| L, T, R, F | 33. | 68-3303 | Gearbox layshaft | 1 |
| L, T, R, F | 34. | 68-3015 | Layshaft second gear (26 teeth) | 1 |
| L, T, R, F | 34. | 68-3107* | Layshaft second gear (25 teeth) | 1 |
| L, T, R, F | 35. | 68-3299 | Layshaft top gear (17 teeth) | 1 |
| L, T, R, F | 36. | 42-3079 | Thrust washer, layshaft (.113"—.115") | as reqd. |
| L, T, R, F | 36. | 42-3212 | Thrust washer, layshaft (.120"—.122") | as reqd. |
| L, T, R, F | 36. | 42-3213 | Thrust washer, layshaft (.127"—.129") | as reqd. |
| L, T, R, F | 37. | 68-0034 | Bearing, layshaft drive-side (Torrington 12121-OH) | 1 |
| L, T, R, F | 38. | 68-3019 | Spacer, mainshaft | 1 |
| L, T, R, F | 39. | 68-3027 | Bush, clutch push rod | 1 |
| L, T, R, F | 40. | 68-3150 | Mainshaft first gear (14 teeth) | 1 |
| L, T, R, F | 41. | 68-3015 | Mainshaft third gear (26T) | 1 |
| L, T, R, F | 41. | 68-3182* | Mainshaft third gear (22T) | 1 |
| L, T, R, F | 42. | 68-3100 | Gearbox mainshaft with push rod bush | 1 |
| L, T, R, F | 43. | 68-3229 | Clutch push rod | 1 |
| L, T, R, F | 44. | 68-0024 | Circlip, mainshaft bearing drive-side | 1 |
| L, T, R, F | 45. | 68-0027 | Oil seal, mainshaft bearing | 1 |
| L, T, R, F | 46. | 68-0022 | Camshaft bush, drive-side | 1 |
| L, T, R, F | 47. | 68-0131 | Rotary breather valve | 1 |

*Close ratio gears.

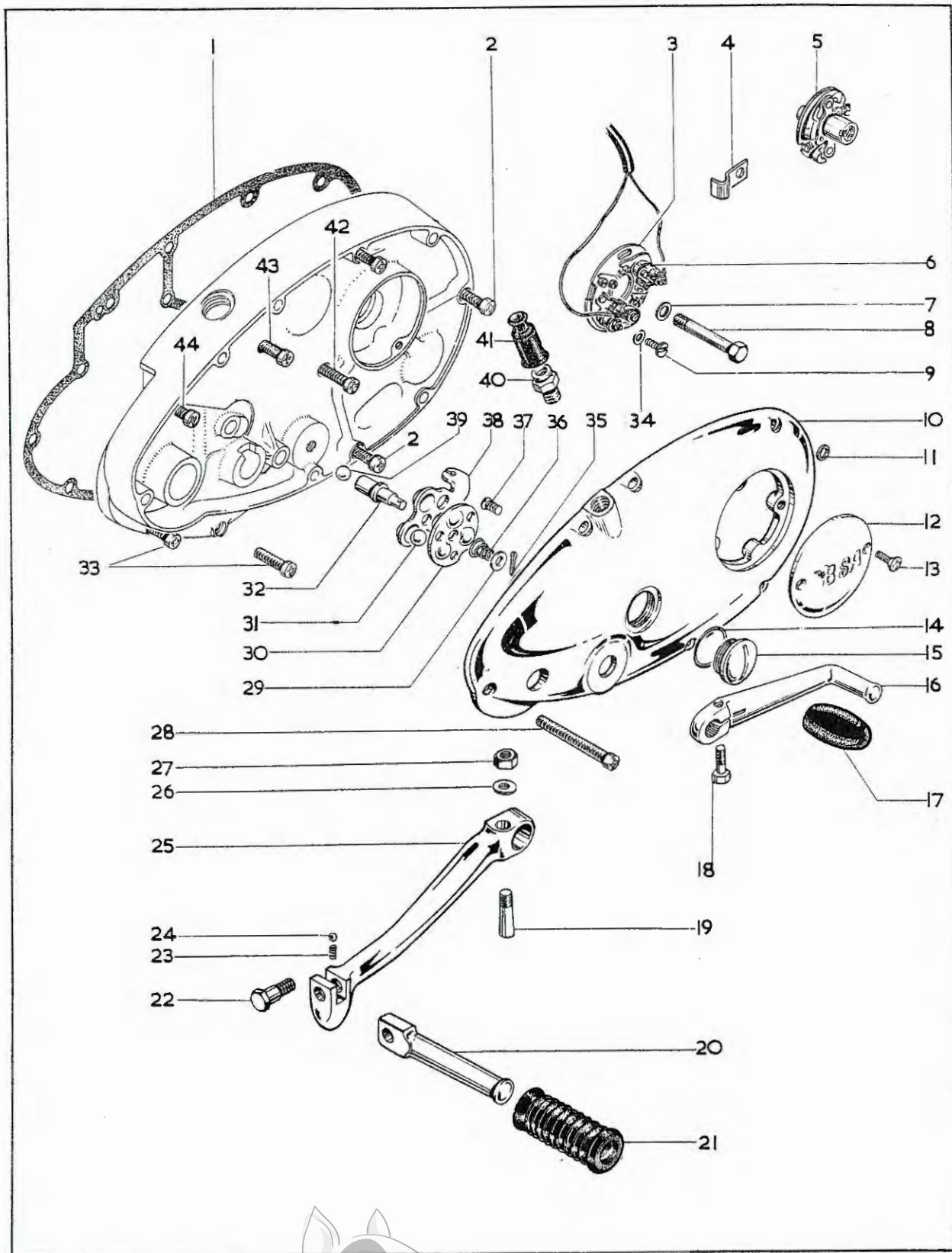
†Special material: 26.—EN16R.





| <i>Model</i> | <i>Plate Ref.</i> | <i>Spare No.</i> | <i>Description</i> | <i>Per Set</i> |
|--------------|-------------------|------------------|--|----------------|
| L, T, R, F | 1. | 57-4026 | Gearchange cam plate | 1 |
| L, T, R, F | 2. | 68-3045 | Cam plate pivot | 1 |
| L, T, R, F | 3. | 67-3161 | Thrust washer, kickstart ratchet | 1 |
| L, T, R, F | 4. | 67-3162 | Spring, kickstart ratchet | 1 |
| L, T, R, F | 5. | 68-3095 | Kickstart ratchet pinion | 1 |
| L, T, R, F | 6. | 67-3169 | Bush, kickstart ratchet pinion | 1 |
| L, T, R, F | 7. | 68-3056 | Kickstart ratchet | 1 |
| L, T, R, F | 8. | 68-3301 | Lockwasher, kickstart assembly | 1 |
| L, T, R, F | 9. | 67-3163* | Nut, kickstart assembly (9/16" British Standard Cycle) | 1 |
| T, R | 10. | 42-0166 | Cover plate, inner timing cover | 1 |
| L, T, R, F | 11. | 21-5370 | Bolt for adaptor, line 14 (2 British Association × 9/16") | 2 |
| L, F | 12. | 24-0036 | Sealing washer, revolution counter cable | 1 |
| L, T, R, F | 13. | 68-0982 | Lockwasher for bolt, line 11 | 1 |
| L, F | 14. | 68-0585 | Adaptor for revolution counter cable | 1 |
| L, T, R, F | 15. | 68-0589 | Gasket for adaptor, line 14, or cover, line 10 | 1 |
| L, T, R, F | 16. | 76-0291 | Oil seal, idler pinion spindle | 1 |
| L, T, R, F | 17. | 57-4009 | Return spring, gearchange | 1 |
| L, T, R, F | 18. | 57-4008 | Cup, gearchange return spring | 1 |
| L, T, R, F | 19. | 02-0923 | Washer, gearchange return spring | 1 |
| L, T, R, F | 20. | 14-7819 | Bolt, gearchange return spring | 1 |
| L, T, R, F | 21. | 57-4028 | Stop plate, gearchange spring | 1 |
| L, T, R, F | 22. | 68-3118 | Grub-screw for stop plate, line 21 | 1 |
| L, T, R, F | 23. | 68-3058 | Anchor peg, gearchange spring | 2 |
| L, T, R, F | 24. | 68-3054 | Spring plate, kickstart | 1 |
| L, T, R, F | 25. | 68-3053 | Kickstart return spring | 1 |
| L, T, R, F | 26. | 68-3055 | Anchor peg, kickstart spring | 1 |
| L, T, R, F | 27. | 71-1118 | Inner timing cover with fixed fittings | 1 |
| L, T, R, F | 28. | 68-0213 | Bush, kickstart spindle, timing cover | 1 |
| L, T, R, F | 29. | 24-0978 | Spring washer for nut, line 27 | 1 |
| L, T, R, F | 30. | 02-2395 | Nut, kickstart spring anchor peg (1/4" British Standard Cycle) | 1 |
| L, T, R, F | 31. | 68-3049 | Kickstart spindle complete | 1 |
| L, T, R, F | 32. | 68-3005 | Bush, kickstart spindle | 1 |
| L, T, R, F | 33. | 40-0705 | Grommet for contact breaker leads | 1 |
| L, T, R, F | 34. | 40-0394 | Dowel, inner cover to case | 2 |
| L, T, R, F | 35. | 68-0865 | Dipstick, inner timing cover | 1 |
| L, T, R, F | 36. | 70-9809 | Bush, idler pinion spindle | 1 |
| L, T, R, F | 37. | 66-3074 | Dowel, inner cover to case | 2 |
| L, T, R, F | 38. | 68-3096 | Plunger, gearchange quadrant | 2 |
| L, T, R, F | 39. | 68-3076 | Spring, gearchange quadrant plunger | 2 |
| L, T, R, F | 40. | 60-2721 | Split pin, quadrant plunger spring (3/32" × 5/8") | 2 |
| L, T, R, F | 41. | 68-3294 | Gearchange quadrant complete | 1 |
| L, T, R, F | 42. | 57-2630 | Retainer, gearchange plunger | 1 |
| L, T, R, F | 43. | 40-3323 | Screw, plunger retainer (5 British Association × 5/16") | 1 |
| L, T, R, F | 44. | 68-3180 | Kickstart quadrant stop | 1 |
| L, T, R, F | 45. | 68-3036 | Spindle, selector forks | 1 |
| L, T, R, F | 46. | 68-3160 | Selector fork, layshaft | 1 |
| L, T, R, F | 47. | 68-3158 | Selector fork, mainshaft | 1 |
| L, T, R, F | 48. | 68-0098 | Plunger, gearchange cam plate | 1 |
| L, T, R, F | 49. | 68-0101 | Spring, cam plate plunger | 1 |

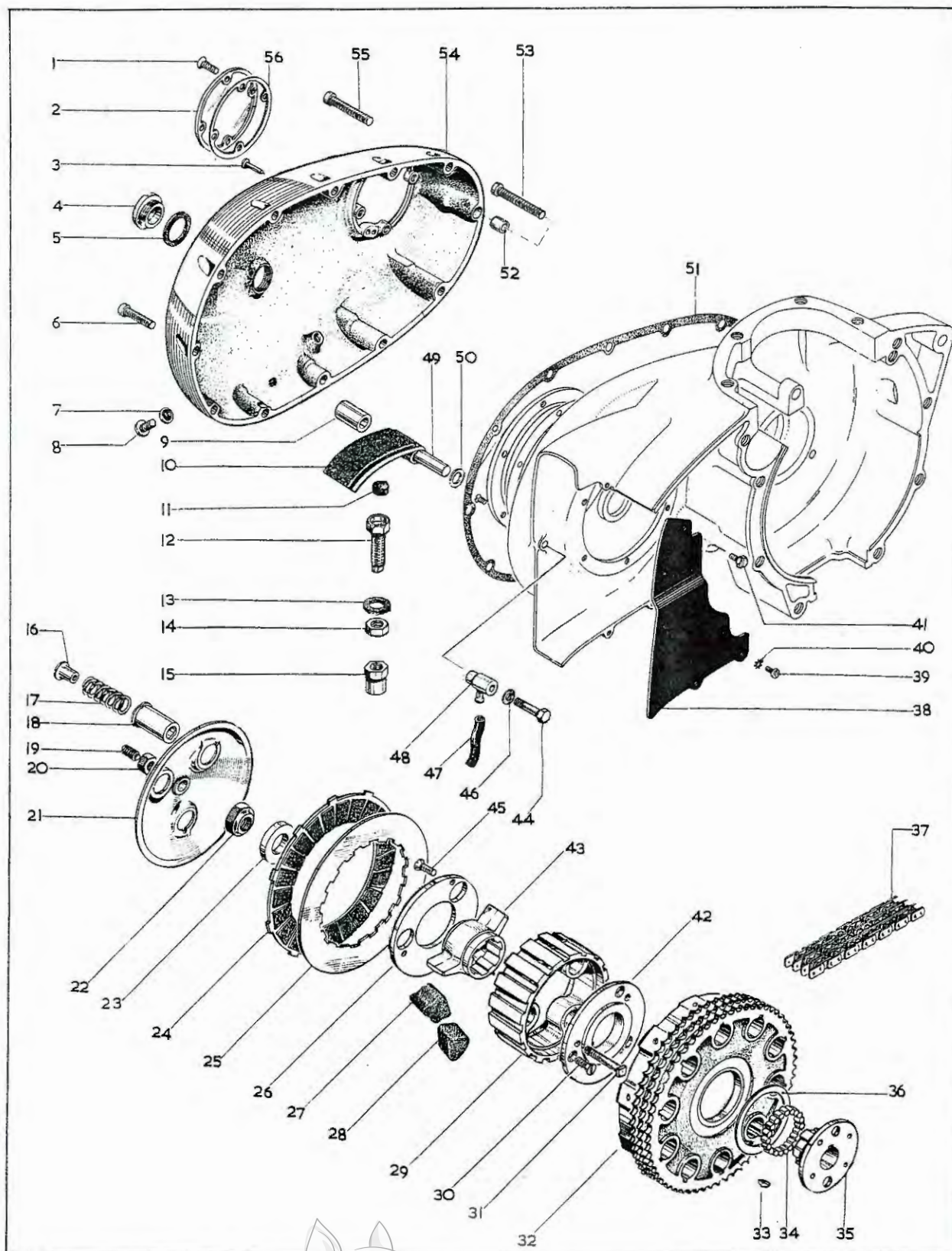
*Special material: 9.—EN15.



OUTER TIMING COVER, KICKSTART AND FOOTCHANGE

| Model | Plate Ref. | Spares No. | Description | Per Set |
|------------|------------|------------|---|---------|
| L, T, R, F | 1. | 70-7853 | Gasket, inner timing cover | 1 |
| L, T, R, F | 2. | 14-6613 | Screw, long, inner timing cover ($\frac{1}{4}$ " Unified Coarse \times $2\frac{1}{4}$ ") | 3 |
| L, T, R, F | 3. | 19-1841 | Contact breaker (Lucas 54419097) | 1 |
| L, T, R, F | 4. | 04-2203 | Clip, contact breaker leads | 1 |
| L, T, R, F | 5. | 19-1842 | Auto-advance unit (Lucas 54419344) | 1 |
| L, T, R, F | 6. | 19-1849 | Contact set (Lucas 54419827) | 1 |
| L, T, R, F | 7. | 68-0331 | Washer for bolt, line 9 | 1 |
| L, T, R, F | 8. | 14-0208 | Bolt, contact breaker cam to idler pinion spindle ($\frac{1}{4}$ " Unified $\frac{3}{8}$ Fine \times $2\frac{1}{4}$ ") | 1 |
| L, T, R, F | 9. | 97-3894 | Screw, contact breaker plate to cover (2 British Association \times $21/64$ ") | 2 |
| L, T, R, F | 10. | 71-1131 | Outer timing cover | 1 |
| L, T, R, F | 11. | 40-0740 | Sealing washer, top, outer cover screw | 1 |
| L, T, R, F | 12. | 70-9126 | Inspection cover, contact breaker | 1 |
| L, T, R, F | 13. | 21-5375 | Screw, contact breaker cover (2 British Association \times $\frac{3}{8}$ ") | 2 |
| L, T, R, F | 14. | 70-8782 | "O" ring, inspection plug | 1 |
| L, T, R, F | 15. | 70-9816 | Inspection plug, outer cover | 1 |
| L, T, R, F | 16. | 40-3073 | Footchange pedal | 1 |
| L, T, R, F | 17. | 89-3208 | Rubber, footchange pedal | 1 |
| L, T, R, F | 18. | 42-6554 | Bolt, footchange pedal ($\frac{1}{4}$ " British Standard Cycle \times $\frac{3}{4}$ ") | 1 |
| L, T, R, F | 19. | 02-2579 | Cotter, kickstart crank | 1 |
| L, T, R, F | 20. | 57-2646 | Kickstart folding pedal | 1 |
| L, T, R, F | 21. | 57-2759 | Rubber, kickstart pedal | 1 |
| L, T, R, F | 22. | 40-3084 | Bolt, kickstart pedal ($\frac{5}{16}$ " British Standard Cycle \times $1\frac{1}{16}$ ") | 1 |
| L, T, R, F | 23. | 40-3085 | Spring, kickstart pedal | 1 |
| L, T, R, F | 24. | 97-2704 | Ball, kickstart pedal | 1 |
| L, T, R, F | 25. | 57-2764 | Kickstart crank complete | 1 |
| L, T, R, F | 25. | 57-2652 | Kickstart crank only | 1 |
| L, T, R, F | 26. | 15-5155 | Washer for nut, line 27 ($\cdot 328$ " \times $\cdot 505$ " \times $\cdot 048$ ") | 1 |
| L, T, R, F | 27. | 02-2578 | Nut for cotter, line 19 ($\cdot 266$ " British Standard Cycle) | 1 |
| L, T, R, F | 28. | 14-6614 | Screw, outer cover ($\frac{1}{4}$ " Unified Coarse \times $2\frac{1}{2}$ ") | 6 |
| L, T, R, F | 29. | 57-3673 | Washer, clutch lever | 1 |
| L, T, R, F | 30. | 57-4037 | Thrust plate, clutch lift mechanism | 1 |
| L, T, R, F | 31. | 89-0060 | Ball, clutch lift mechanism | 3 |
| L, T, R, F | 32. | 57-4038 | Shaft, clutch lift mechanism | 1 |
| L, T, R, F | 33. | 14-6606 | Screw, inner timing cover ($\frac{1}{4}$ " Unified Coarse \times $\frac{3}{4}$ ") | 2 |
| L, T, R, F | 34. | 76-0293 | Washer, contact breaker plate | 2 |
| L, T, R, F | 35. | 60-2701 | Split pin, clutch lift mechanism | 1 |
| L, T, R, F | 36. | 57-1712 | Spring, clutch lift mechanism | 1 |
| L, T, R, F | 37. | 21-1879 | Screw, clutch lift mechanism | 3 |
| L, T, R, F | 38. | 57-4036 | Lever, clutch lift mechanism | 1 |
| L, T, R, F | 39. | 65-2593 | Ball, clutch lever shaft | 1 |
| L, T, R, F | 40. | 57-3762 | Adaptor, clutch cable | 1 |
| L, T, R, F | 41. | 68-3264 | Cover, clutch cable adaptor | 1 |
| L, T, R, F | 42. | 14-6610 | Screw, medium, inner timing cover ($\frac{1}{4}$ " Unified Coarse \times $1\frac{1}{2}$ ") | 1 |
| L, T, R, F | 43. | 14-6612 | Screw, inner timing cover ($\frac{1}{4}$ " Unified Coarse \times 2 ") | 1 |
| L, T, R, F | 44. | 14-6608 | Screw, short, inner timing cover ($\frac{1}{4}$ " Unified Coarse \times 1 ") | 1 |
| L, T, R, F | | 57-4049 | Clutch lift mechanism complete | 1 |

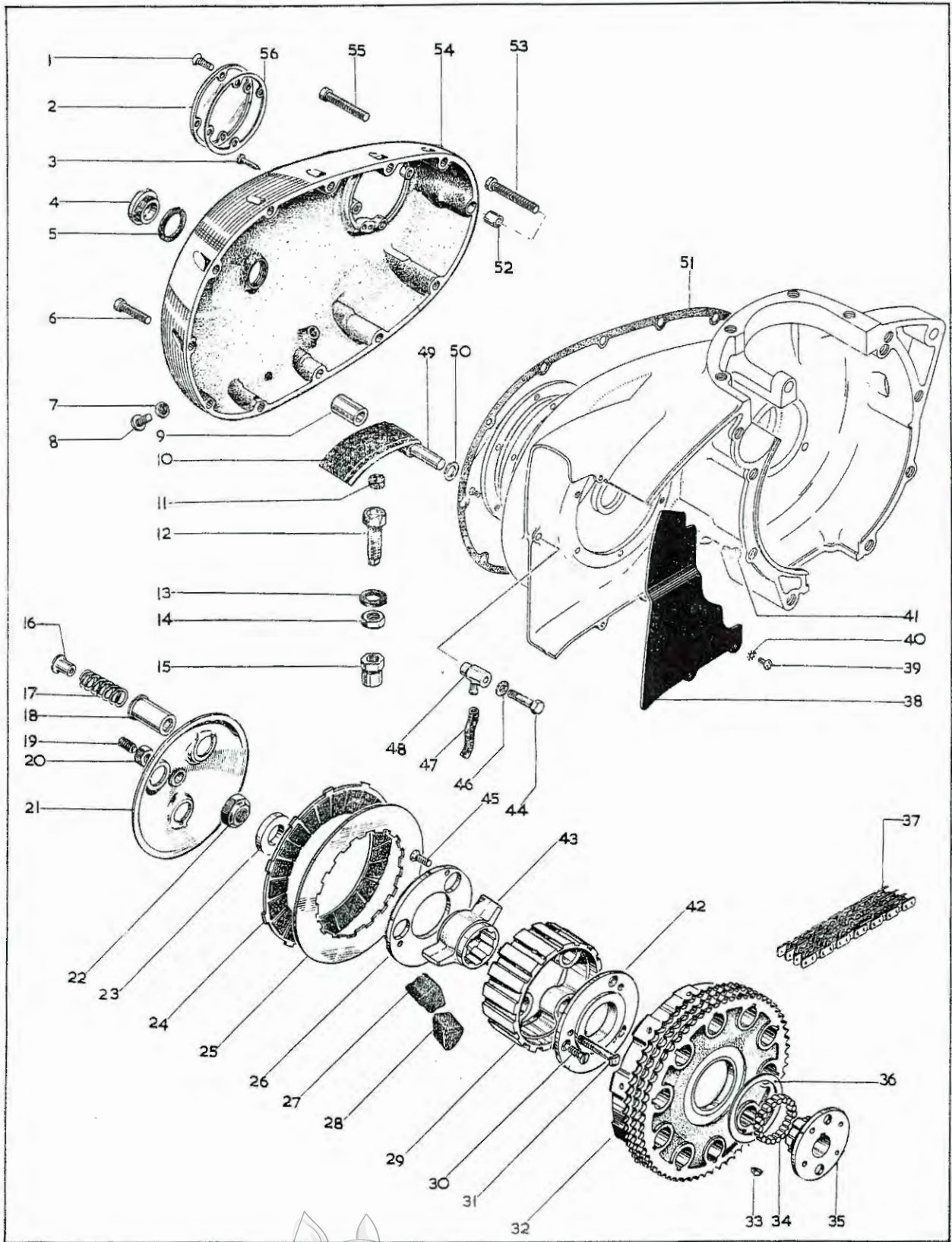
*Special material: L-EN15.



CLUTCH AND PRIMARY CHAINCASE

| <i>Model</i> | <i>Plate Ref.</i> | <i>Spares No.</i> | <i>Description</i> | <i>Per Set</i> |
|--------------|-------------------|-------------------|--|----------------|
| L, T, R, F | 1. | 76-4116 | Screw, inspection cover (2 British Association $\times 7/16''$) | 4 |
| L, T, R, F | 2. | 70-9114 | Inspection cover, primary case | 1 |
| L, T, R, F | 3. | 68-0841 | Ignition timing pointer | 1 |
| L, T, R, F | 4. | 70-9816 | Plug, primary chaincase | 2 |
| L, T, R, F | 5. | 70-8782 | "O" ring for plug, line 4 | 2 |
| L, T, R, F | 6. | 21-1854 | Screw, short, primary cover ($1/4''$ Unified Coarse $\times 1-7/16''$) | 6 |
| L, T, R, F | 7. | 71-1065 | Washer, oil level and drain screw | 2 |
| L, T, R, F | 8. | 21-2002 | Screw, oil level and drain | 2 |
| L, T, R, F | 9. | 68-0376 | Spacer tube, tensioner pivot | 1 |
| L, T, R, F | 10. | 70-8310 | Tensioner, primary chain | 1 |
| L, T, R, F | 11. | 68-0249 | Insert, tensioner screw | 1 |
| L, T, R, F | 12. | 70-7793 | Adjuster screw, tensioner ($7/16''$ British Standard Fine) | 1 |
| L, T, R, F | 13. | 68-0861 | Oil seal washer, tensioner screw | 1 |
| L, T, R, F | 14. | 68-0237 | Adjuster locknut, tensioner ($7/16''$ British Standard Fine) | 1 |
| L, T, R, F | 15. | 68-0377 | Cap nut, adjuster screw ($7/16''$ British Standard Fine) | 1 |
| L, T, R, F | 16. | 42-3199 | Nut, clutch spring ($1/4''$ British Standard Cycle) | 3 |
| L, T, R, F | 17. | 68-3321 | Clutch spring | 3 |
| L, T, R, F | 18. | 68-3287 | Clutch spring cup | 3 |
| L, T, R, F | 19. | 68-3308 | Clutch adjuster screw | 1 |
| L, T, R, F | 20. | 14-0403 | Locknut, adjuster screw ($3/8''$ Unified Fine) | 1 |
| L, T, R, F | 21. | 68-3305 | Clutch pressure plate | 1 |
| L, T, R, F | 22. | 68-3320 | Clutch mainshaft nut | 1 |
| L, T, R, F | 23. | 68-3169 | Spacer, mainshaft nut | 1 |
| L, T, R, F | 24. | 42-3192 | Clutch driving plate | 6 |
| L, T, R, F | 25. | 57-1363 | Clutch driven plate | 6 |
| L, T, R, F | 26. | 68-3283 | Outer retaining plate, cush drive | 1 |
| L, T, R, F | 27. | 68-3281 | Cush drive rubber | 3 |
| L, T, R, F | 28. | 68-3282 | Rebound rubber, cush drive | 3 |
| L, T, R, F | 29. | 57-1719 | Clutch centre | 1 |

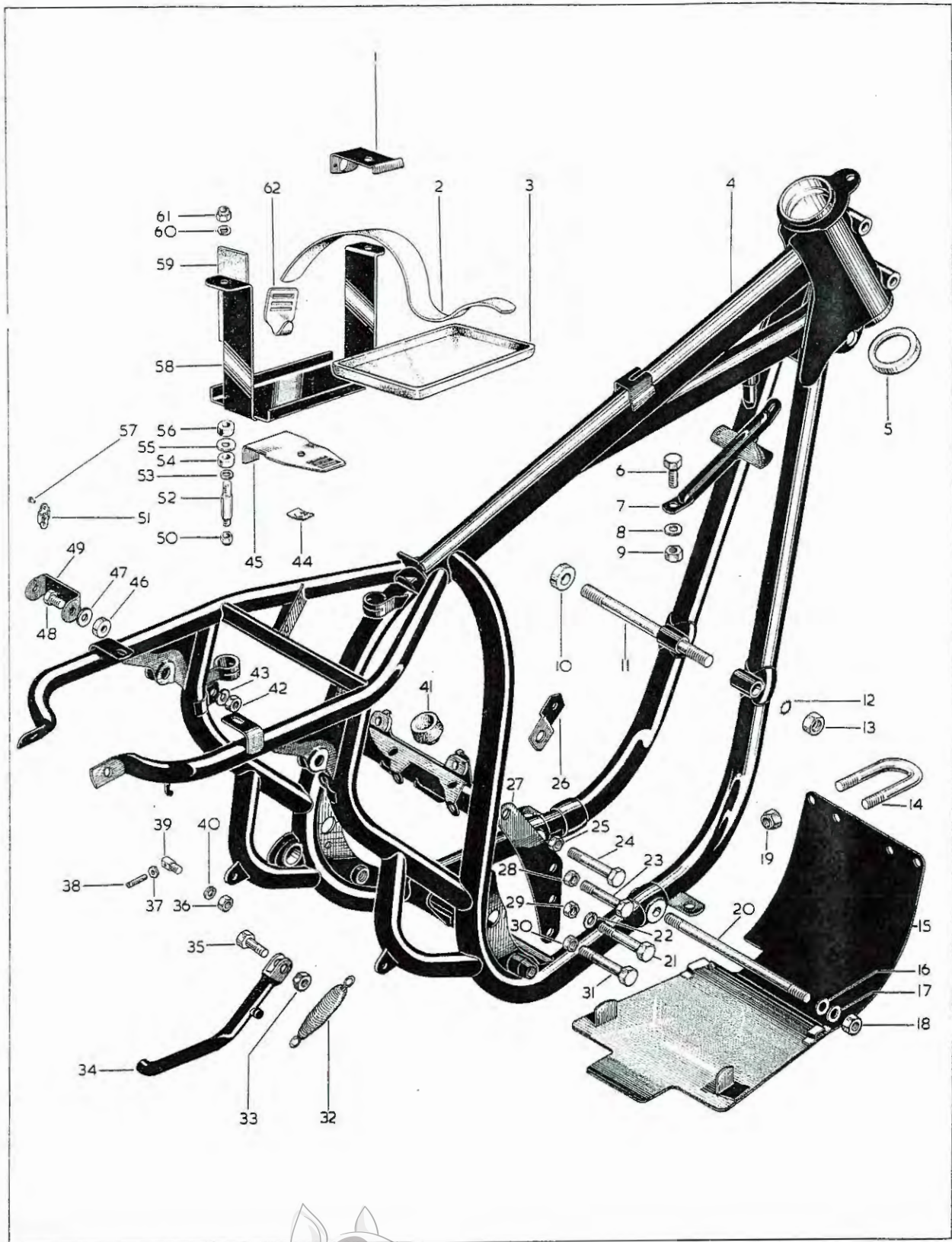




CLUTCH AND PRIMARY CHAINCASE

| Model | Plate Ref. | Spares No. | Description | Per Set |
|------------|------------|------------|---|---------|
| L, T, R, F | 30. | 42-3183 | Screw, inner plate to centre (1 British Association $\times 35/64$ " countersunk) | 3 |
| L, T, R, F | 31. | 42-3189 | Clutch spring pin ($1/4$ " British Standard Cycle $\times 1 3/4$ ") | 3 |
| L, T, R, F | 32. | 57-2773 | Clutch chainwheel (58 teeth) | 1 |
| L, T, R, F | 33. | 68-3218 | Key, sleeve to mainshaft | 2 |
| L, T, R, F | 34. | 42-3206 | Roller, clutch chainwheel | 20 |
| L, T, R, F | 35. | 57-3929 | Clutch sleeve | 1 |
| L, T, R, F | 36. | 57-3931 | Thrust washer, clutch sleeve | 1 |
| L, T, R, F | 37. | 19-8639 | Primary chain ($3/8$ " Triplex, 80 pitch) | 1 |
| L, T, R, F | 38. | 68-0360 | Cover plate, rear crankcase | 1 |
| L, T, R, F | 39. | 97-3894 | Screw, cover plate (2 British Association $\times 21/64$ ") | 2 |
| L, T, R, F | 40. | 29-3319 | Lockwasher for screw, line 39 ($.200" \times .400" \times .021"$) | 3 |
| L, T, R, F | 41. | 40-3044 | Bolt, cover plate (top) | 1 |
| L, T, R, F | 42. | 68-3280 | Inner retaining plate, cush drive | 1 |
| L, T, R, F | 43. | 68-3276 | Spider, cush drive | 1 |
| L, T, R, F | 44. | 70-9217 | Bolt, rear chain oiler ($1/4$ " Unified Coarse $\times 1 3/8$ ") | 1 |
| L, T, R, F | 45. | 42-3183 | Screw, outer plate to centre | 3 |
| L, T, R, F | 46. | 66-7518 | Fibre washer for bolt, line 44 | 1 |
| L, T, R, F | 47. | 40-0375 | Pipe, rear chain oiler | 1 |
| L, T, R, F | 48. | 68-0383 | Rear chain oiler | 1 |
| L, T, R, F | 49. | 68-0375 | Tensioner pivot pin | 1 |
| L, T, R, F | 50. | 15-0804 | Tensioner pivot washer | 1 |
| L, T, R, F | 51. | 70-7854 | Gasket, primary chaincase cover | 1 |
| L, T, R, F | 52. | 66-3074 | Hollow dowel | 1 |
| L, T, R, F | 53. | 21-1951 | Screw, dowel position, primary cover | 1 |
| L, T, R, F | 54. | 71-1044 | Primary chain cover complete | 1 |
| L, T, R, F | 55. | 14-6611 | Screw, long, primary cover ($1/4$ " Unified Coarse $\times 1 3/4$ ") | 4 |
| L, T, R, F | 56. | 68-0840 | Gasket, inspection cover | 1 |
| L, T, R, F | | 68-3270 | Clutch complete | 1 |





FRAME, ENGINE SHIELD, BATTERY CARRIER

| Model | Plate Ref. | Spares No. | Description | Per Set |
|------------|------------|------------|--|---------|
| F | 1. | 83-1375 | Left-hand top bracket, sidecover | 1 |
| L, T, R, F | 2. | 68-4577 | Strap, battery carrier | 1 |
| L, T, R, F | 3. | 68-4597 | Rubber tray, battery carrier | 1 |
| L, T, R, F | 4. | 83-1576 | Frame complete less centre stand | 1 |
| L, T, R, F | 5. | 66-4149 | Steering head cup | 2 |
| L, T, R, F | 6. | 14-0232 | Bolt, steady stay to head ($\frac{3}{8}$ " Unified Fine \times $1\frac{3}{8}$ ") | 1 |
| T, R, F | 7. | 68-4090 | Engine steady stay | 1 |
| L | 7. | 82-9788 | Engine steady stay | 1 |
| L, T, R, F | 8. | 71-1003 | Washer for bolt, line 6 ($\frac{3}{8}$ " \times $\frac{3}{4}$ " \times .048") | 1 |
| L, T, R, F | 9. | 14-1803 | Nut for bolt, line 6 ($\frac{3}{8}$ " Unified Fine) | 1 |
| F, T, R | 10. | 68-4906 | Spacer, front, engine mounting | 1 |
| L, T, R | 11. | 68-4088 | Stud, front engine mounting (7/16" British Standard Cycle) | 1 |
| F | 11. | 21-0779 | Stud, front engine mounting (7/16" Unified Fine) | 1 |
| L, T, R | 12. | 66-4708 | Lockwasher, front engine stud (7/16") | 2 |
| L, T, R | 13. | 02-1925 | Nut for stud 68-4088 (7/16" British Standard Cycle) | 2 |
| F | 13. | 14-0304 | Nut for stud 21-0779 (7/16" Unified Fine) | 2 |
| F | 14. | 68-2004 | "U" bolt, crankcase shield | 2 |
| F | 15. | 68-2001 | Crankcase shield | 1 |
| L, T, R, F | 16. | 02-1733 | Washer, bottom engine stud ($\frac{3}{8}$ " \times $1\frac{3}{16}$ " \times $\frac{1}{16}$ ") | 2 |
| L, T, R, F | 17. | 27-5676 | Spacing washer, lower engine mounting | 4 |
| L, T, R, F | 18. | 42-4475 | Nut, bottom engine stud ($\frac{3}{8}$ " British Standard Cycle) | 2 |
| F | 19. | 42-3249 | Nut, crankcase shield "U" bolt | 4 |
| L, T, R, F | 20. | 68-4260* | Stud, bottom engine mounting ($\frac{3}{8}$ " British Standard Cycle \times $9\frac{3}{4}$ ") | 1 |
| L, T, R, F | 21. | 14-0224 | Bolt, rear engine mounting ($\frac{5}{16}$ " Unified Fine \times $2\frac{3}{4}$ ") | 1 |
| L, T, R, F | 22. | 24-8784 | Spring washer for nut, line 29 ($\frac{5}{16}$ " \times $\frac{5}{8}$ " \times .040") | 1 |
| L, T, R, F | 23. | 14-0252 | Bolt, engine mounting plate (7/16" Unified Fine \times $2\frac{1}{2}$ ") | 1 |
| L, T, R, F | 24. | 14-0240 | Bolt, top, engine plate mounting ($\frac{3}{8}$ " Unified Fine \times $3\frac{1}{4}$ ") | 1 |
| L, T, R, F | 25. | 14-1803 | Nut for bolt, line 24 ($\frac{3}{8}$ " Unified Fine) | 1 |
| L, T, R, F | 26. | 82-8280 | Bracket, left-hand, coil mounting | 1 |
| L, T, R, F | 26. | 82-8279 | Bracket, right-hand, coil mounting | 1 |
| L, T, R, F | 27. | 68-4080 | Rear engine plate | 2 |
| L, T, R, F | 28. | 14-1804 | Nut for bolt, line 23 (7/16" Unified Fine) | 1 |
| L, T, R, F | 29. | 14-0302 | Nut for bolt, line 21 ($\frac{5}{16}$ " Unified Fine) | 1 |
| L, T, R, F | 30. | 14-1803 | Nut for bolt, line 31 | 1 |



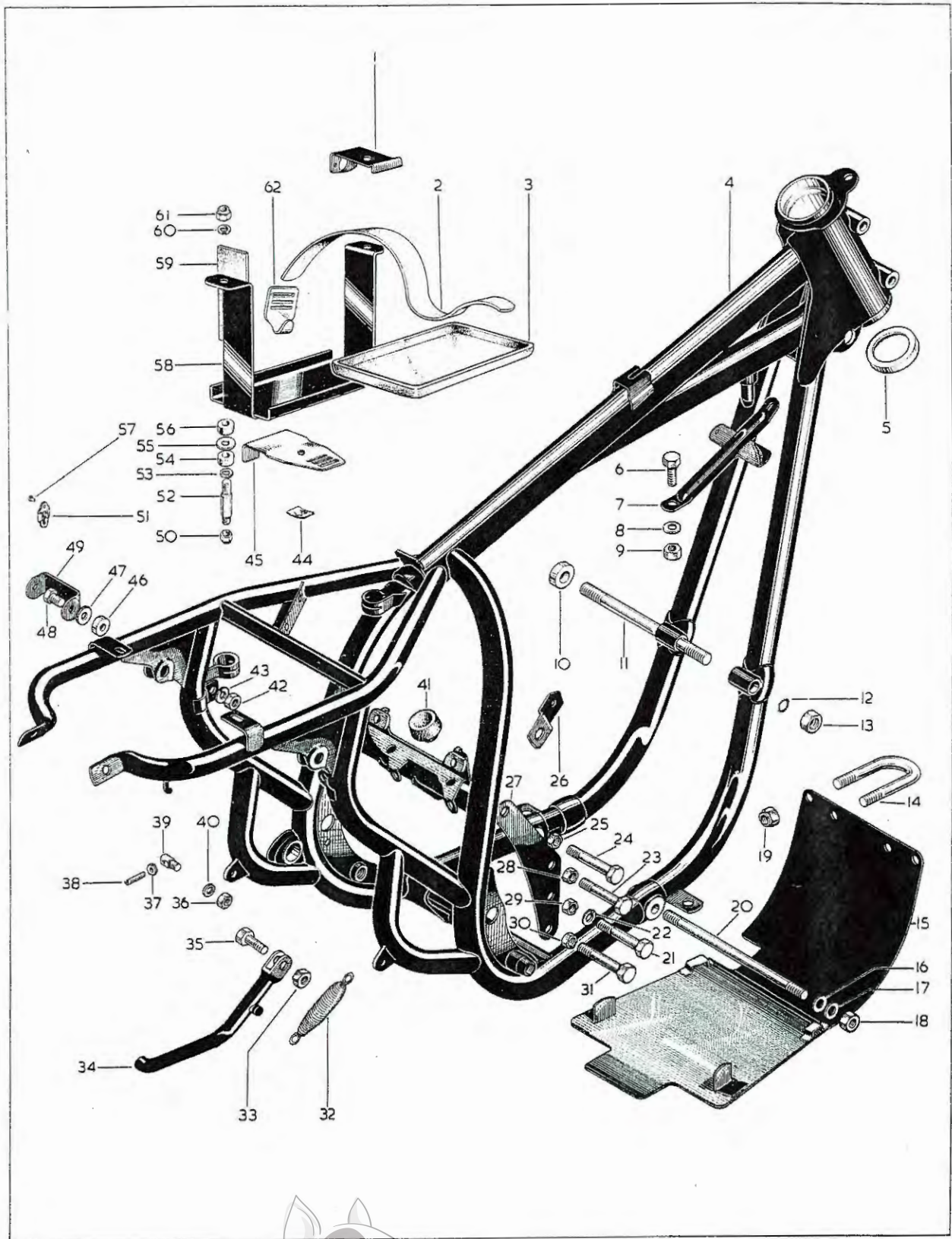


Plate 10--continued

FRAME, ENGINE SHIELD, BATTERY CARRIER

| Model | Plate Ref. | Spares No. | Description | Per Set |
|------------|------------|------------|---|---------|
| L, T, R, F | 31. | 14-0239 | Bolt, bottom engine plate mounting ($\frac{3}{8}$ " Unified Fine \times 3") | 1 |
| L, T, R, F | 32. | 82-8382 | Prop stand spring | 1 |
| L, T, R, F | 33. | 15-0734 | Nut for pivot bolt, line 35 ($\frac{7}{16}$ " British Standard Cycle) | 1 |
| L, T, R, F | 34. | 42-4778 | Prop stand complete | 1 |
| L, T, R, F | 35. | 42-4793 | Pivot bolt, prop stand ($\frac{7}{16}$ " British Standard Cycle \times $1\frac{5}{16}$ ") | 1 |
| L, T, R | 36. | 02-0049 | Nut, for adjuster post ($\frac{3}{16}$ " British Standard Cycle) | 1 |
| L, T, R, F | 37. | 02-1027 | Nut for screw, line 38 ($\frac{1}{4}$ " British Standard Cycle) | 1 |
| L, T, R, F | 38. | 68-4096 | Set-screw, brake pedal adjuster ($\frac{1}{4}$ " British Standard Cycle) | 1 |
| L, T, R, F | 39. | 68-4095 | Adjuster post, brake pedal | 1 |
| L, T, R | 40. | 24-8784 | Spring washer, adjuster post ($\frac{5}{16}$ " \times $\frac{5}{8}$ " \times .040") | 1 |
| L, T, R, F | 41. | 68-8315 | Locating rubber, oil tank | 3 |
| L, T, R, F | 42. | 14-0302 | Nut for bolt, line 48 ($\frac{5}{16}$ " Unified Fine) | 1 |
| L, T, R, F | 43. | 24-8784 | Spring washer for nut, line 42 ($\frac{5}{16}$ " \times $\frac{5}{8}$ " \times .040") | 1 |
| L, T, R, F | 44. | 83-1601 | Push-fix, battery carrier locating pin | 1 |
| L, T, R, F | 45. | 68-4578 | Battery strap retaining plate | 1 |
| L, T, R, F | 46. | 15-7563 | Distance piece for bracket, line 49 | 1 |
| L, T, R, F | 47. | 02-0923 | Washer for bolt, line 48 | 1 |
| L, T, R, F | 48. | 14-0115 | Bolt, fastener bracket to frame ($\frac{5}{16}$ " Unified Fine \times $\frac{7}{8}$ ") | 1 |
| L, T, R, F | 49. | 68-9251 | Sidcover fastener bracket, left-hand, rear | 1 |
| L, T, R, F | 50. | 40-0414 | Nut, battery carrier stud ($\frac{1}{4}$ " British Standard Cycle) | 1 |
| L, T, R, F | 51. | 68-9115 | "Oddie" clip, sidcover | 3 |
| L, T, R, F | 52. | 82-9024 | Stud, battery carrier ($\frac{1}{4}$ " British Standard Cycle) | 2 |
| L, T, R, F | 53. | 76-0101 | Washer, bottom, battery carrier ($.265$ " \times $\frac{3}{4}$ " \times .080") | 2 |
| L, T, R, F | 54. | 68-4560 | Rubber bush, battery carrier | 2 |
| L, T, R, F | 55. | 29-8740 | Washer, centre, battery carrier ($\frac{9}{16}$ " \times 1" \times $\frac{1}{16}$ ") | 2 |
| L, T, R, F | 56. | 68-4560 | Rubber bush, battery carrier | 2 |
| L, T, R, F | 57. | 68-9337 | Rivet for "Oddie" clip | 6 |
| L, T, R, F | 58. | 68-4595 | Battery carrier complete | 1 |
| L, T, R, F | 59. | 82-8255 | Rubber strip, battery carrier | 2 |
| L, T, R, F | 60. | 40-2705 | Washer, top, battery carrier ($\frac{19}{64}$ " \times $\frac{15}{32}$ " \times $\frac{1}{16}$ ") | 2 |
| L, T, R, F | 61. | 40-0414 | Nut, battery carrier stud ($\frac{1}{4}$ " British Standard Cycle) | 2 |
| L, T, R, F | 62. | 82-9004 | Hook, battery carrier strap | 1 |

*Special material: 20.—EN15.



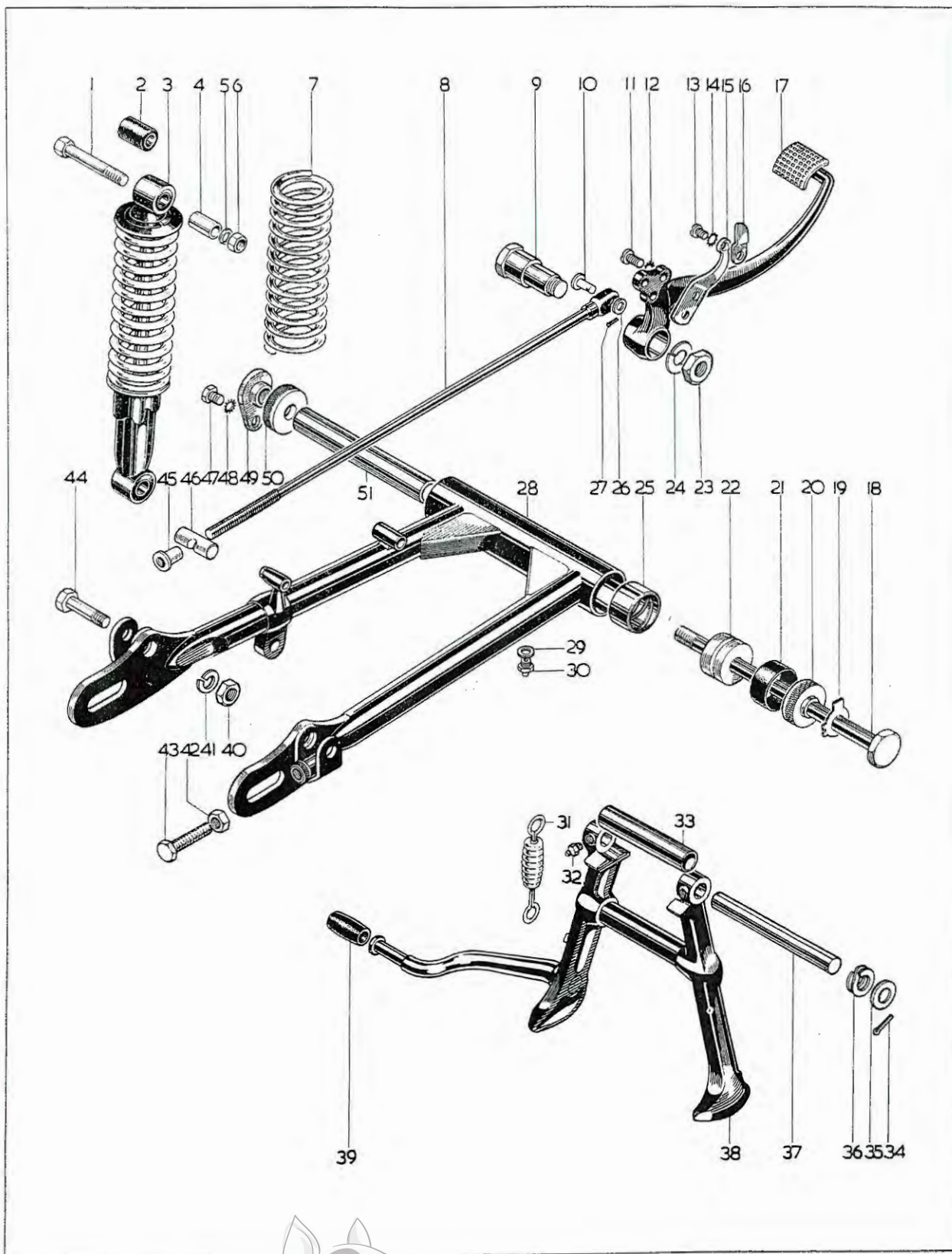


Plate 11

SWINGING ARM, CENTRE STAND, REAR BRAKE CONTROL

| Model | Plate Ref. | Spares No. | Description | Per Set |
|------------|------------|------------|--|---------|
| L, T, R, F | 1. | 14-0236 | Bolt, damper top mounting, right-hand ($\frac{3}{8}$ " Unified Fine \times $2\frac{1}{4}$ ") .. | 1 |
| L, T, R, F | 1. | 14-0238 | Bolt, damper top mounting, left-hand ($\frac{3}{8}$ " Unified Fine \times $2\frac{3}{4}$ ") .. | 1 |
| L, T, R, F | 2. | 19-5305 | Damper bush (Girling 64533645) | 4 |
| L, T, R, F | 3. | 19-7448 | Rear damper complete, solo (Girling S4971) | 2 |
| L, T, R, F | 3. | 19-7449 | Rear damper complete, sidecar (Girling S4456) | 2 |
| L, T, R, F | 4. | 68-6906 | Spacer, left-hand, mudguard bridge.. .. . | 1 |
| L, T, R, F | 4. | 40-4909 | Spacer, right-hand, mudguard bridge | 1 |
| L, T, R | 4. | 68-4286* | Spacer, left-hand, mudguard bridge.. .. . | 1 |
| L, T, R | 4. | 42-4907* | Spacer, right-hand, mudguard bridge | 1 |
| L, T, R, F | 5. | 02-0522 | Spring washer for nut, line 6 ($\frac{3}{8}$ " \times $\frac{3}{4}$ " \times .056") | 2 |
| L, T, R, F | 6. | 14-0303 | Nut for bolt, line 1 ($\frac{3}{8}$ " Unified Fine) | 2 |
| L, T, R, F | 7. | 19-7439 | Damper spring, solo (Girling 64543735) | 2 |
| L, T, R, F | 7. | 19-7450 | Damper spring, sidecar (Girling 64544120) | 2 |
| L, T, R, F | 8. | 68-7062 | Rear brake rod complete | 1 |
| L, T, R, F | 9. | 68-7055 | Pivot bolt, brake pedal ($\frac{5}{8}$ " British Standard Cycle) | 1 |
| L, T, R, F | 10. | 83-1460 | Pivot pin, brake rod to pedal | 1 |
| L, T, R, F | 11. | 02-0079 | Screw, switch arm to pedal ($\frac{1}{4}$ " British Standard Cycle \times $\frac{1}{2}$ ") | 2 |
| L, T, R, F | 12. | 29-0541 | Lockwasher for screw, line 11 ($\frac{1}{4}$ ") | 2 |
| L, T, R, F | 13. | 02-1309 | Screw, stop lever to switch arm ($\frac{3}{16}$ " British Standard Cycle \times $11/32$ ").. .. . | 1 |
| L, T, R, F | 14. | 29-3319 | Lockwasher for lever, line 16 ($\frac{3}{16}$ ").. .. . | 1 |
| L, T, R, F | 15. | 68-7052 | Stop switch arm, brake pedal | 1 |
| L, T, R, F | 16. | 68-7013 | Stop switch actuating lever | 1 |
| L, T, R, F | 17. | 68-7050 | Rear brake pedal | 1 |
| L, T, R, F | 18. | 21-1992† | Security bolt, swinging arm ($9/16$ " Unified Fine \times $10\frac{3}{16}$ ") | 1 |
| L, T, R, F | 19. | 83-1517 | Lockwasher, swinging arm security bolt | 1 |
| L, T, R, F | 20. | 82-9537 | Spacer, swinging arm, right-hand | 1 |
| L, T, R, F | 21. | 83-1318 | Rubber sleeve, dust excluder.. .. . | 2 |
| L, T, R, F | 22. | 82-6821 | Bobbin, swinging arm.. .. . | 2 |
| L, T, R, F | 23. | 42-5883 | Nut for pivot bolt, line 9 ($\frac{5}{8}$ " British Standard Cycle) | 1 |
| L, T, R, F | 24. | 25-6015 | Spring washer for nut, line 23 | 1 |
| L, T, R, F | 25. | 82-6042 | Bush, swinging arm | 2 |
| L, T, R, F | 26. | 02-0525 | Washer, brake rod pivot pin | 1 |



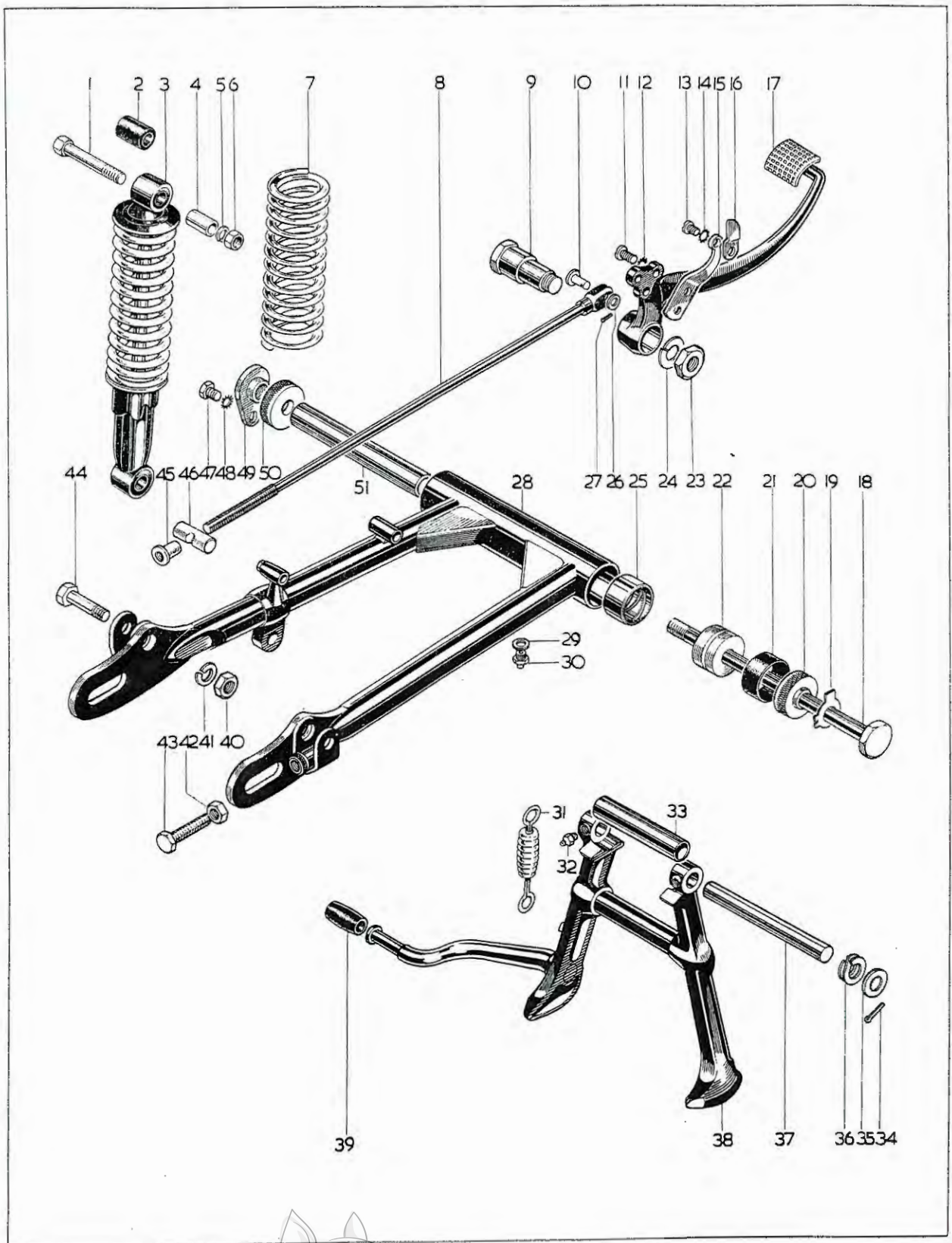


Plate 11—continued

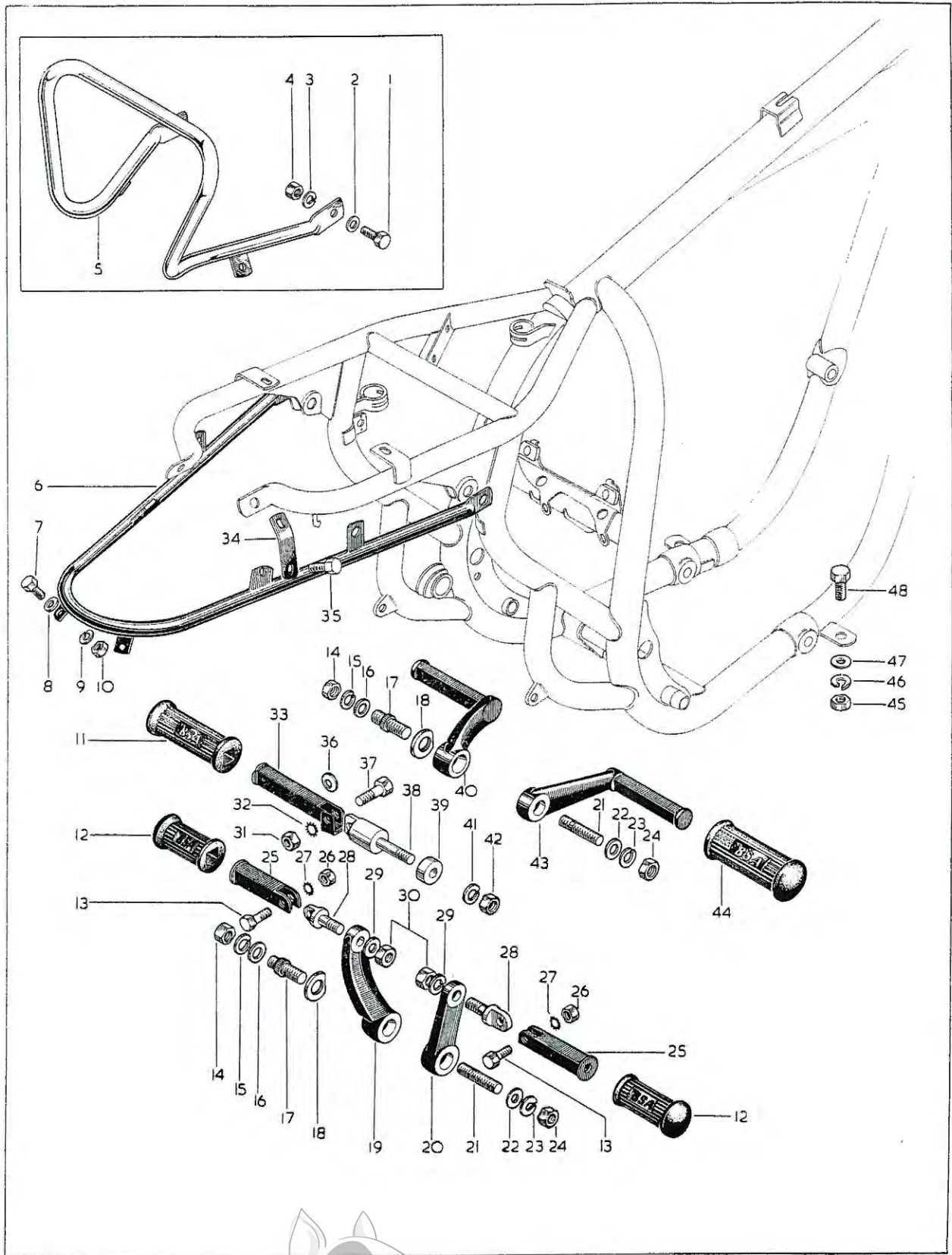
SWINGING ARM, CENTRE STAND, REAR BRAKE CONTROL

| Model | Plate Ref. | Spares No. | Description | Per Set |
|------------|------------|------------|--|---------|
| L, T, R, F | 27. | 60-2683 | Split pin, brake rod pivot pin | 1 |
| L, T, R, F | 28. | 82-9532 | Swinging arm with bushes | 1 |
| L, T, R, F | 29. | 24-1088 | Fibre washer for grease nipple | 1 |
| L, T, R, F | 30. | 47-9012 | Grease nipple, swinging arm | 1 |
| L, T, R, F | 31. | 68-4708 | Return spring, centre stand | 1 |
| L, T, R, F | 32. | 28-2080 | Grease nipple, centre stand | 2 |
| L, T, R, F | 33. | 42-4745 | Spacer tube, centre stand | 1 |
| L, T, R, F | 34. | 60-2722 | Split pin, centre stand ($3/32" \times 3/4"$) | 2 |
| L, T, R, F | 35. | 15-0039 | Washer, centre stand ($1/2" \times 27/32" \times 1/16"$) | 2 |
| L, T, R, F | 36. | 03-1346 | Spring washer, centre stand ($17/32" \times 7/8" \times .040"$) | 1 |
| L, T, R, F | 37. | 42-4744 | Pivot bar, centre stand | 1 |
| L, T, R, F | 38. | 68-4729 | Centre stand complete | 1 |
| L, T, R, F | 39. | 89-3208 | Rubber, centre stand | 2 |
| L, T, R, F | 40. | 68-4235 | Nut, damper bottom mounting ($3/8"$ British Standard Cycle) | 2 |
| L, T, R, F | 41. | 02-0522 | Spring washer, damper bottom mounting ($3/8" \times 3/4" \times .056"$) | 2 |
| L, T, R, F | 42. | 24-0563 | Locknut, wheel adjuster ($5/16"$ British Standard Cycle) | 2 |
| L, T, R, F | 43. | 68-4150 | Screw, wheel adjuster ($5/16"$ British Standard Cycle) | 2 |
| L, T, R, F | 44. | 40-6910 | Bolt, damper bottom mounting, left-hand ($3/8"$ British Standard Cycle $\times 1 7/8"$) | 1 |
| L, T, R, F | 44. | 03-1399 | Bolt, damper bottom mounting, right-hand ($3/8"$ British Standard Cycle $\times 1 3/4"$) | 1 |
| L, T, R, F | 45. | 90-7029 | Adjuster nut, brake rod ($1/4"$ British Standard Fine) | 1 |
| L, T, R, F | 46. | 65-6274 | Swivel pin, brake rod | 1 |
| L, T, R, F | 47. | 14-0113 | Bolt, lock plate ($5/16"$ Unified Fine $\times 5/8"$) | 1 |
| L, T, R, F | 48. | 36-0382 | Lockwasher for bolt, line 47 ($5/16"$) | 1 |
| L, T, R, F | 49. | 82-9539 | Lock plate, swinging arm | 1 |
| L, T, R, F | 50. | 82-9536 | Spacer, swinging arm, left-hand | 1 |
| L, T, R, F | 51. | 82-9538 | Spacer tube, swinging arm | 1 |

*For use with short seat only.

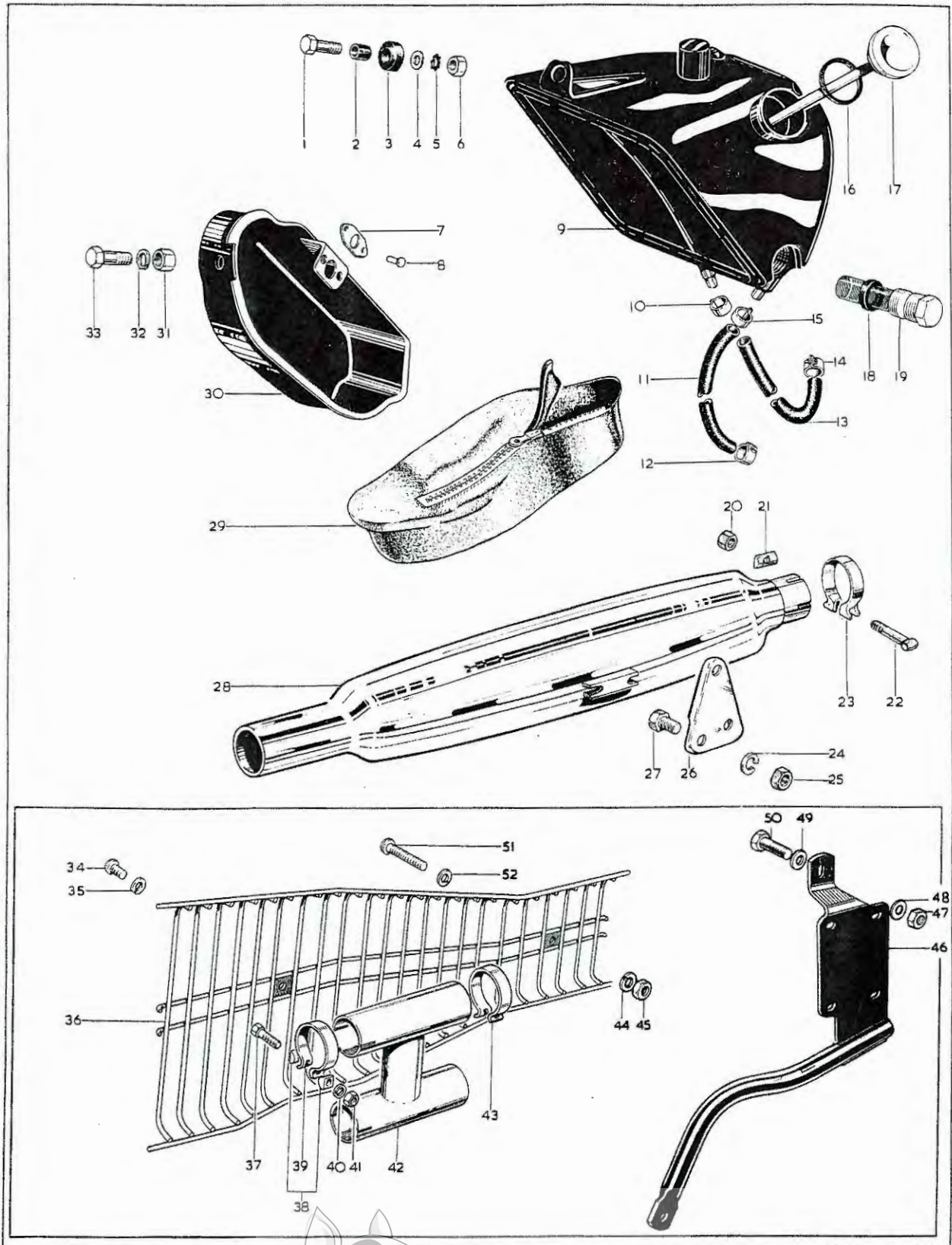
†Special material: 18.—EN8R.



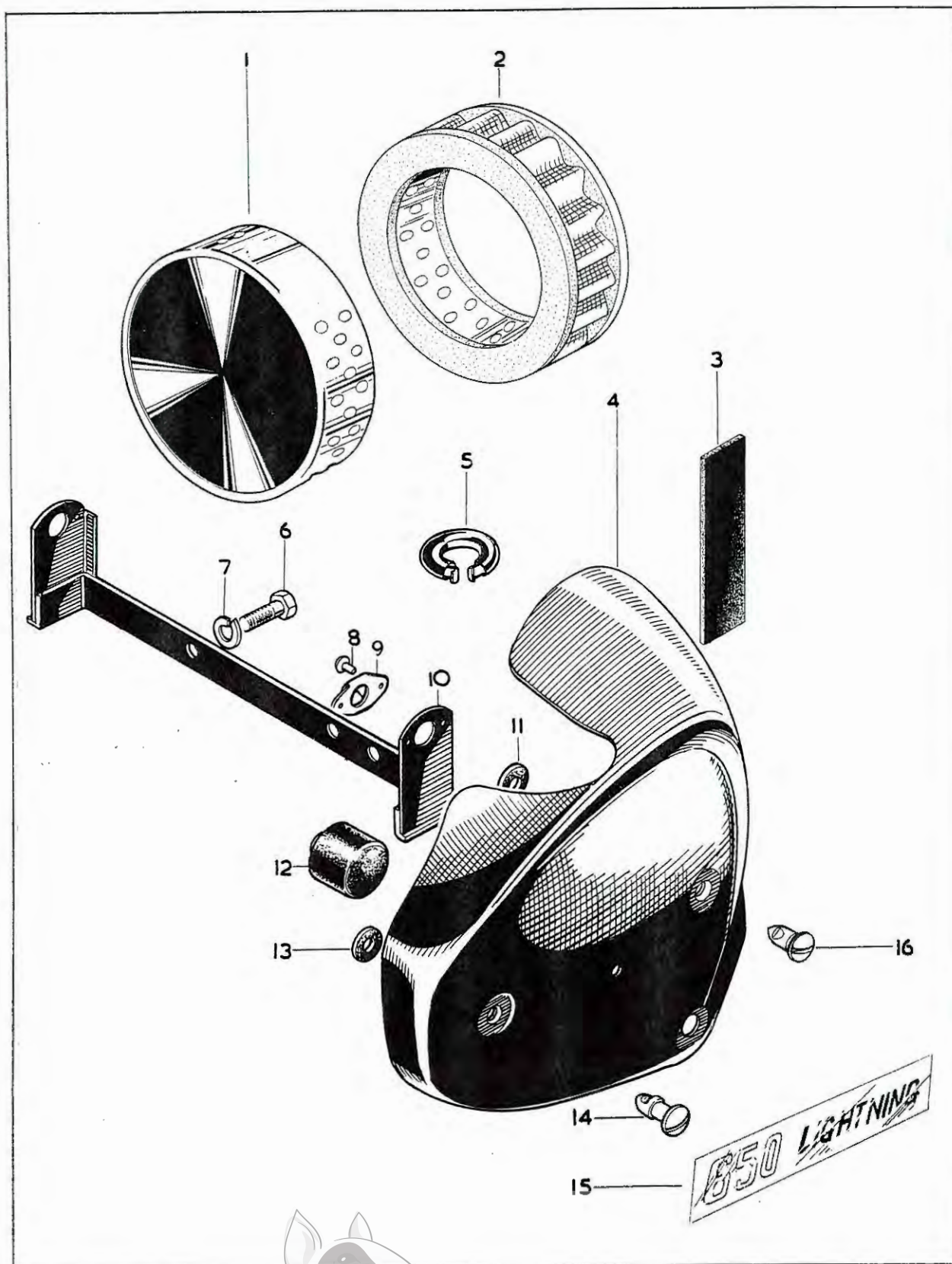


HANDRAIL, SUPPORT RAIL, FOOTRESTS

| Model | Plate Ref. | Spares No. | Description | Per Set |
|------------|------------|------------|---|---------|
| L, T, R, F | 1. | 14-0113 | Bolt, handrail to support rail | 2 |
| L, T, R, F | 2. | 02-0923 | Washer, handrail to support rail | 2 |
| L, T, R, F | 3. | 24-8784 | Spring washer, handrail to support rail | 2 |
| L, T, R, F | 4. | 14-0302 | Nut, handrail to support rail | 2 |
| L, T, R, F | 5. | 68-9327 | Hanrail (to order only) | 1 |
| L, T, R | 6. | 68-6803 | Support rail | 1 |
| F | 6. | 82-9967 | Support rail | 1 |
| L, T, R, F | 7. | 14-0113 | Bolt, support rail | 4 |
| L, T, R, F | 8. | 02-0923 | Washer, support rail | 4 |
| L, T, R, F | 9. | 24-8784 | Spring washer, support rail | 4 |
| L, T, R, F | 10. | 14-0302 | Nut, support rail | 4 |
| L, T, R, F | 11. | 82-9603 | Pillion footrest rubber | 2 |
| F | 12. | 82-9608 | Footrest rubber | 2 |
| F | 13. | 14-0215 | Pivot bolt, folding footrest | 2 |
| L, T, R, F | 14. | 29-5839 | Nut, footrest stud (left-hand) | 1 |
| L, T, R, F | 15. | 02-1967 | Spring washer, footrest stud | 1 |
| L, T, R, F | 16. | 02-1945 | Washer, footrest stud | 1 |
| L, T, R, F | 17. | 68-4804 | Footrest stud (left-hand) | 1 |
| L, T, R, F | 18. | 40-4818 | Lockplate, footrest stud (left-hand) | 1 |
| F | 19. | 68-4808 | Footrest bracket (left-hand) | 1 |
| F | 20. | 68-4809 | Footrest bracket (right-hand) | 1 |
| L, T, R, F | 21. | 68-4805 | Footrest stud (right-hand) | 1 |
| L, T, R, F | 22. | 02-1945 | Washer, footrest stud | 1 |
| L, T, R, F | 23. | 02-1967 | Spring washer, footrest stud | 1 |
| L, T, R, F | 24. | 02-1925 | Nut, footrest stud (right-hand) | 1 |
| F | 25. | 42-4926 | Folding footrest | 2 |
| F | 26. | 14-0402 | Nut, pivot bolt | 2 |
| F | 27. | 36-0382 | Lockwasher, pivot bolt nut | 2 |
| F | 28. | 65-4917 | Anchor bolt, folding footrest | 2 |
| F | 29. | 02-0522 | Spring washer, anchor bolt | 2 |
| F | 30. | 02-0046 | Nut, anchor bolt | 2 |
| L, T, R, F | 31. | 14-0402 | Nut for pivot bolt, line 37 | 2 |
| L, T, R, F | 32. | 36-0382 | Lockwasher, pivot bolt | 2 |
| L, T, R, F | 33. | 68-4835 | Pillion footrest | 2 |
| L, T, R, F | 34. | 68-6802 | Support rail bracket | 2 |
| L, T, R, F | 35. | 14-0114 | Bolt, handrail and bracket | 2 |
| L, T, R, F | 35. | 14-0113 | Bolt, support rail bracket | 2 |
| L, T, R, F | 36. | 04-2276 | Washer, pillion footrest | 2 |
| L, T, R, F | 37. | 14-0215 | Pivot bolt, pillion footrest | 2 |
| L, T, R, F | 38. | 68-4828 | Anchor bolt, pillion footrest | 2 |
| L, T, R, F | 39. | 29-7565 | Spacer, anchor bolt | 2 |
| L, T, R, F | 40. | 68-4802 | Footrest (left-hand) | 1 |
| L, T, R, F | 41. | 02-0522 | Spring washer, anchor bolt | 2 |
| L, T, R, F | 42. | 14-0303 | Nut, anchor bolt | 2 |
| L, T, R | 43. | 68-4803 | Footrest (right-hand) | 1 |
| L, T, R | 44. | 82-9602 | Footrest rubber | 2 |
| L, T, R | 45. | 14-0302 | Nut, exhaust pipe to frame | 2 |
| L, T, R | 46. | 24-8784 | Spring washer, exhaust to frame | 2 |
| L, T, R | 47. | 02-0923 | Washer, exhaust to frame | 2 |
| L, T, R | 48. | 14-0114 | Bolt, exhaust pipe to frame | 2 |



| Model | Plate Ref. | Spares No. | Description | Per Set |
|------------|------------|------------|--|---------|
| L, T, R, F | 1. | 14-0221 | Bolt, oil tank mounting ($\frac{5}{16}$ " Unified Fine $\times 2$ ") | 1 |
| L, T, R, F | 2. | 68-8317 | Spacer, oil tank mounting | 1 |
| L, T, R, F | 3. | 68-8334 | Rubber, oil tank mounting | 1 |
| L, T, R, F | 4. | 02-0923 | Washer, oil tank mounting ($\frac{5}{16}$ " \times $\frac{5}{8}$ " \times $\frac{1}{16}$ ") | 1 |
| L, T, R, F | 5. | 36-0382 | Lockwasher, oil tank mounting | 1 |
| L, T, R, F | 6. | 14-0302 | Nut, oil tank mounting ($\frac{7}{16}$ " Unified Fine) | 1 |
| L, T, R, F | 7. | 68-9115 | 'Oddie' clip, sidecover | 1 |
| L, T, R, F | 8. | 68-9337 | Rivet, 'Oddie' clip | 2 |
| L, T, R, F | 9. | 68-8378 | Oil tank with fixed fittings | 1 |
| L, T, R, F | 10. | 68-8343 | Clip, oil return pipe | 1 |
| L, T, R, F | 11. | 68-8383 | Oil feed pipe | 1 |
| L, T, R, F | 12. | 68-8382 | Clip, oil feed pipe | 1 |
| L, T, R, F | 13. | 70-4594 | Oil return pipe | 1 |
| L, T, R, F | 14. | 68-8343 | Clip, oil return pipe | 1 |
| L, T, R, F | 15. | 68-8382 | Clip, oil feed pipe | 1 |
| L, T, R, F | 16. | 67-0042 | Washer, filler cap | 1 |
| L, T, R, F | 17. | 68-8368 | Filler cap, oil tank | 1 |
| L, T, R, F | 18. | 68-0610 | "O" ring, oil tank filter | 1 |
| L, T, R, F | 19. | 68-8328 | Oil tank filter | 1 |
| L, T, R | 20. | 21-5102 | Nut for bolt, line 22 ($\frac{1}{4}$ " British Standard Fine) | 2 |
| L, T, R | 21. | 90-3064 | "D" washer, silencer clip | 2 |
| L, T, R | 22. | 90-3063 | "T" bolt, silencer clip ($\frac{1}{4}$ " British Standard Fine) | 2 |
| L, T, R | 23. | 42-2860 | Clip, silencer to exhaust pipe | 2 |
| L, T, R, F | 24. | 82-9020 | Spring washer, bracket to silencer ($\frac{1}{4}$ ") | 4 |
| L, T, R, F | 25. | 14-0301 | Nut, bracket to silencer ($\frac{1}{4}$ " Unified Fine) | 4 |
| L, T, R | 26. | 68-2781 | Bracket, silencer (left-hand) | 1 |
| L, T, R | 26. | 68-2780 | Bracket, silencer (right-hand) | 1 |
| L, T, R, F | 27. | 14-0101 | Bolt, bracket to silencer ($\frac{1}{4}$ " Unified Fine \times $\frac{1}{2}$ ") | 4 |
| L, T, R | 28. | 68-2732 | Silencer | 2 |
| F | 28. | 70-9206 | Silencer | 2 |
| L, T, R, F | 29. | 68-9134 | Toolbag | 1 |
| L, T, R, F | 30. | 68-9131 | Toolbox | 1 |
| L, T, R, F | 31. | 14-0301 | Nut, toolbox to frame ($\frac{1}{4}$ " Unified Fine) | 2 |
| L, T, R, F | 32. | 82-9020 | Spring washer, toolbox to frame ($\frac{1}{4}$ ") | 2 |
| L, T, R, F | 33. | 14-0101 | Bolt, toolbox to frame ($\frac{1}{4}$ " Unified Fine \times $\frac{1}{2}$ ") | 2 |
| F | 34. | 14-0604 | Screw, rear, heat shield ($\frac{1}{4}$ " Unified Fine \times $\frac{7}{16}$ ") | 1 |
| F | 35. | 82-9020 | Spring washer for screw, line 34 | 1 |
| F | 36. | 70-9716 | Heat shield | 1 |
| F | 37. | 14-0219 | Bolt, exhaust pipe clip ($\frac{5}{16}$ " Unified Fine \times $1\frac{1}{2}$ ") | 4 |
| F | 38. | 75-2719 | "D" washer, exhaust pipe clip | 8 |
| F | 39. | 70-5874 | Exhaust pipe clip, rear | 2 |
| F | 40. | 54-8003 | Spring washer for nut, line 41 | 4 |
| F | 41. | 21-1908 | Nut, exhaust pipe clip bolt ($\frac{5}{16}$ " Unified Fine) | 4 |
| F | 42. | 70-9698 | "H" connector, exhaust pipes | 1 |
| F | 43. | 75-2725 | Exhaust pipe clip, front | 2 |
| F | 44. | 82-9020 | Spring washer for screw, line 50 ($\frac{1}{4}$ ") | 1 |
| F | 45. | 14-0301 | Nut for screw, line 50 | 1 |
| F | 46. | 70-9995 | Silencer bracket | 1 |
| F | 47. | 14-0302 | Nut, bracket bolt ($\frac{3}{16}$ " Unified Fine) | 1 |
| F | 48. | 02-0923 | Washer, bracket nut ($\frac{5}{16}$ " \times $\frac{5}{8}$ " \times $\frac{1}{16}$ ") | 2 |
| F | 49. | 14-0114 | Bolt, bracket to frame ($\frac{5}{16}$ " Unified Fine \times $\frac{3}{4}$ ") | 1 |
| F | 50. | 14-0605 | Screw, front, heat shield ($\frac{1}{4}$ " Unified Fine \times $1\frac{3}{4}$ ") | 1 |
| F | 51. | 02-0525 | Washer, heat shield screw | 2 |



SIDECOVERS, AIR CLEANER

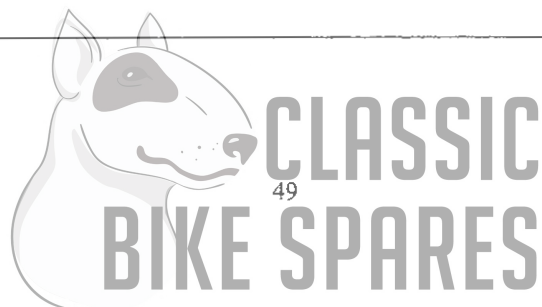
| <i>Model</i> | <i>Plate Ref.</i> | <i>Spares No.</i> | <i>Description</i> | <i>Per Set</i> |
|--------------|-------------------|-------------------|--|----------------|
| L, F | 1. | 68-4635 | Air cleaner | 2 |
| T | 1. | 82-8401 | Air cleaner | 1 |
| R | 1. | 82-8402 | Air cleaner | 1 |
| L, T, R, F | 2. | 19-5593 | Air cleaner element | 2 or 1 |
| T, R | 3. | 68-9343 | Sidecover inner pad | 1 |
| L | 4. | 82-9805 | Sidecover (left-hand) | 1 |
| L, F | 4. | 82-9806 | Sidecover (right-hand) | 1 |
| T, R | 4. | 82-9850 | Sidecover (left-hand) | 1 |
| T, R | 4. | 82-9851 | Sidecover (right-hand) | 1 |
| F | 4. | 82-9724 | Sidecover (left-hand) | 1 |
| L, T, R, F | 5. | 68-9290 | Sidecover buffer | 3 |
| L, T, R, F | 5. | 68-9298 | Sidecover buffer | 1 |
| T, R | 6. | 41-7808 | Bolt, coil clip and sidecover bracket ($\frac{1}{4}$ " British Standard Cycle \times $\frac{7}{8}$ ") | 2 |
| L, F | 6. | 02-0204 | Bolt, sidecover bracket to frame ($\frac{1}{4}$ " British Standard Cycle \times $\frac{1}{2}$ ") | 2 |
| L, T, R, F | 7. | 82-9020 | Spring washer for bolt, lines 6 ($\frac{1}{4}$ ") | 2 |
| L, T, R, F | 8. | 68-9337 | Rivet, "Oddie" clip | 4 |
| L, T, R, F | 9. | 68-9115 | "Oddie" clip | 2 |
| L, F | 10. | 82-8291 | Sidecover bracket | 1 |
| T, R | 10. | 68-9340 | Sidecover bracket | 1 |
| L, T, R, F | 11. | 68-9226 | Rubber washer, "Oddie" stud | 6 or 5 |
| T, R | 12. | 40-8046 | Sidecover rubber pad (left-hand) | 1 |
| L | 12. | 83-1461 | Sidecover rubber buffer (left-hand) | 1 |
| L, T, R, F | 12. | 40-8046 | Sidecover rubber pad (right-hand) | 1 |
| L, T, R, F | 13. | 68-9227 | Rubber washer, "Oddie" stud | 4 |
| L, T, R, F | 14. | 68-9287 | "Oddie" stud (left-hand, rear) | 1 |
| L | 15. | 60-2371 | Transfer, sidecover | 2 |
| F (U.S.A.) | 15. | 60-2372 | Transfer, sidecover (right-hand) | 1 |
| F (U.S.A.) | 15. | 60-2373 | Transfer, sidecover (left-hand) | 1 |
| T | 15. | 60-2375 | Transfer, sidecover | 2 |
| R | 15. | 60-2374 | Transfer, sidecover | 2 |
| L, T, R, F | 16. | 68-9223 | "Oddie" stud | 4 or 3 |

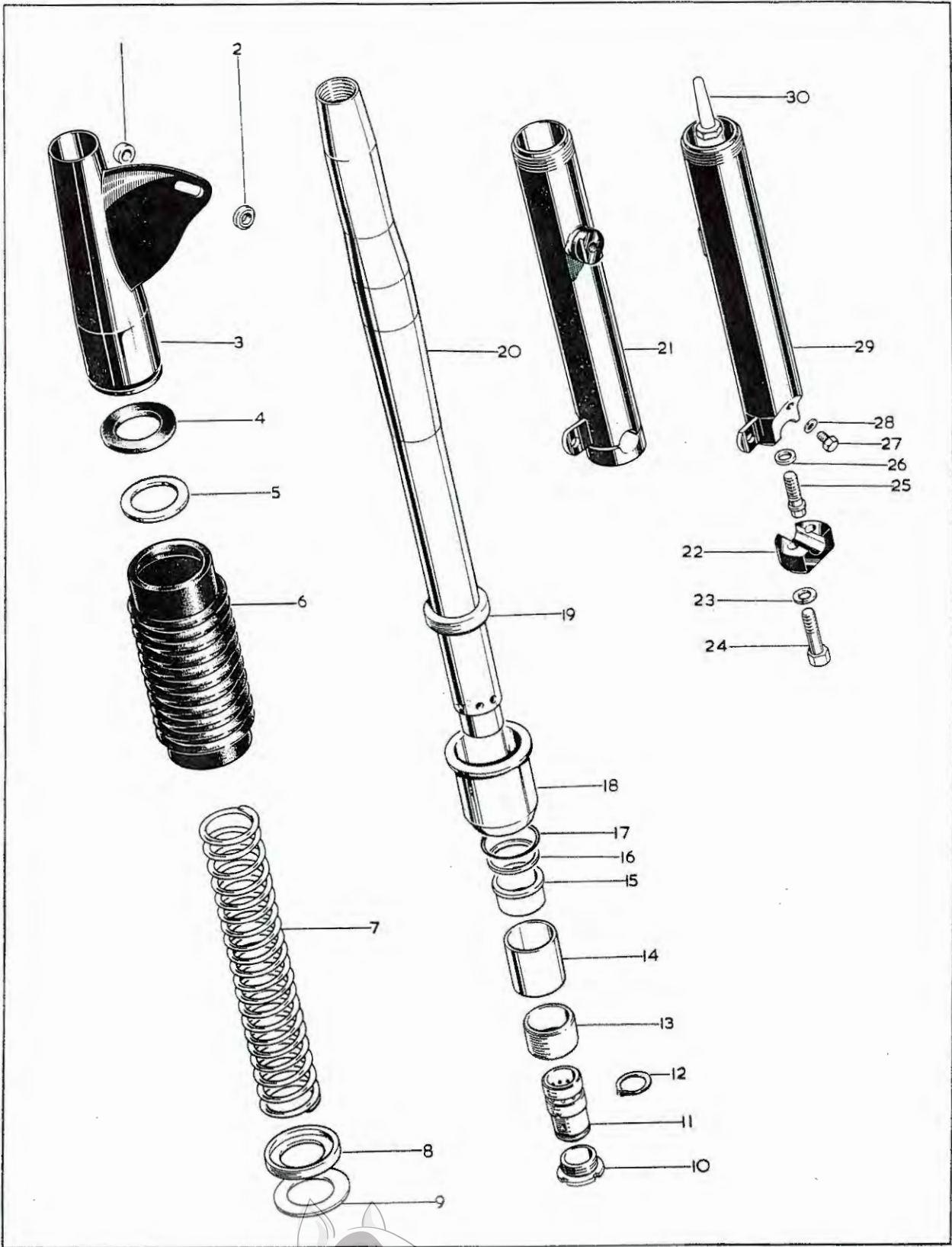


STEERING HEAD

| Model | Plate Ref. | Spares No. | Description | Per Set |
|------------|------------|------------|--|---------|
| L, T, R, F | 1. | 68-5050* | Steering lock and key | 1 |
| L, T, R, F | 2. | 97-2702 | Steering nut and adjuster | 1 |
| L, T, R, F | 3. | 68-5056 | Bolt, handlebar clip ($\frac{5}{16}$ " British Standard Cycle \times 1 $\frac{1}{8}$ ") | 4 |
| L, T, R, F | 4. | 15-5155 | Washer for bolt, line 3 (\cdot 328" \times \cdot 505" \times \cdot 048") | 4 |
| L, T, R, F | 5. | 65-5333 | Handlebar clip | 2 |
| L, T, R, F | 6. | 27-5135 | Bolt, top yoke clip ($\frac{3}{8}$ " British Standard Cycle \times 1-9/16") | 1 |
| L, T, R, F | 7. | 65-5126 | Top cone, steering head | 1 |
| L, T, R, F | 8. | 97-2704 | Quarter-inch diameter ball, steering head | 40 |
| L, T, R, F | 9. | 65-5127 | Bottom cone, steering head | 1 |
| L, T, R, F | 10. | 97-3862 | Bottom yoke and steering stem | 1 |
| L, T, R, F | 11. | 54-4307 | Washer, bottom yoke pinch bolt | 3 |
| L, T, R, F | 12. | 82-8245 | Lockwasher, cable retainer | 1 |
| L, T, R, F | 13. | 14-1303 | Nut, for bolt line 17 ($\frac{3}{8}$ " U.N.F.) | 2 |
| L, T, R, F | 14. | 97-3682 | Bracket, cable retainer | 1 |
| L, T, R, F | 15. | 97-2270 | Brake cable retainer | 1 |
| L, T, R, F | 16. | 02-2138 | Washer, bottom yoke bolt (\cdot 380" \times \cdot 750" \times \cdot 064") | 2 |
| L, T, R, F | 17. | 21-0785† | Pinch bolt, bottom yoke ($\frac{3}{8}$ " Unified Fine \times 2-7/16") | 2 |
| L, T, R, F | 18. | 14-0402 | Nut, heat sink and steady stay ($\frac{5}{16}$ " Unified Fine) | 1 |
| L, T, R, F | 19. | 36-0382 | Lockwasher, heat sink and steady stay ($\frac{5}{16}$ " | 1 |
| L, T, R, F | 20. | 14-0302 | Nut, damper, anchor plate ($\frac{5}{16}$ " U.N.F.) | 1 |
| L, T, R, F | 21. | 02-0923 | Washer for nut, line 20 ($\frac{5}{16}$ " \times $\frac{5}{8}$ " \times $\frac{1}{16}$ ") | 1 |
| L, T, R, F | 22. | 02-0923 | Washer, heat sink and steady stay ($\frac{5}{16}$ " \times $\frac{5}{8}$ " \times $\frac{1}{16}$ ") | 1 |
| L, T, R, F | 23. | 64-6016 | Nut for bolt 27-5135 ($\frac{3}{8}$ " British Standard Cycle) | 1 |
| L, T, R, F | 24. | 66-5204 | Dust cap for top cone | 1 |
| L, T, R, F | 25. | 68-5129 | Top yoke | 1 |
| L, T, R, F | 26. | 68-5137‡ | Cable guide bracket | 2 |
| L, T, R, F | 27. | 65-5332 | Washer for top cap nut, line 29 | 2 |
| L, T, R, F | 28. | 76-9325‡ | Grommet for guide bracket | 2 |
| L, T, R, F | 29. | 97-2245 | Top cap nut (1 $\frac{1}{16}$ " \times 28 turns per inch Unified Fine) | 2 |
| L, T, R, F | 30. | 65-5446 | Grub-screw, steering lock | 1 |
| L, T, R, F | 31. | 97-3875 | Steering damper rod complete | 1 |
| L, T, R, F | 32. | 14-0119 | Bolt, heat sink and steady stay ($\frac{1}{16}$ " Unified Fine \times 2") | 1 |
| L, T, R, F | 33. | 24-6035 | Spring washer, damper rod | 1 |
| L, T, R, F | 34. | 65-5380 | Friction washer, steering damper | 1 |
| L, T, R, F | 35. | 68-5185 | Anchor plate, steering damper | 1 |
| L, T, R, F | 36. | 25-5247 | Star washer, steering damper | 1 |
| L, T, R, F | 37. | 65-5328 | Centre, steering damper | 1 |
| L, T, R, F | 38. | 60-2720 | Split pin, steering damper (3/32" \times 1/2") | 1 |
| L, T, R, F | 39. | 68-9428 | Heat sink for zener diode | 1 |
| L, T, R, F | 40. | 02-0923 | Washer, heat sink and steady stay ($\frac{5}{16}$ " \times $\frac{5}{8}$ " \times $\frac{1}{16}$ ") | 1 |
| L, T, R, F | 41. | 14-1802 | Nut, heat sink and steady stay ($\frac{5}{16}$ " Unified Fine) | 1 |

*See page 6.
 †Special material: 17.—EN15.
 ‡U.S.A. models only.

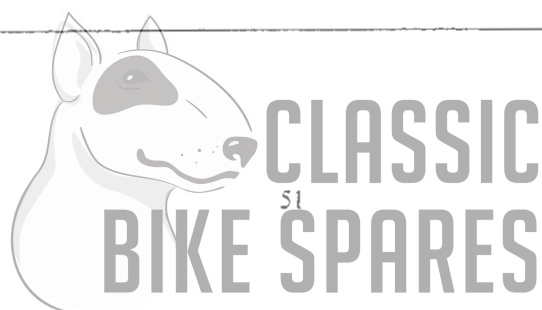




FRONT FORKS

| Model | Plate Ref. | Spares No. | Description | Per Set |
|-------------|------------|------------|--|---------|
| L, T, R, F | 1. | 68-5108 | Headlamp spacer | 2 |
| L, T, R, F | 2. | 68-5104 | Headlamp bolt washer | 2 |
| L, T, R, F | 3. | 97-2510 | Fork sleeve (left-hand) | 1 |
| L, T, R, F | 3. | 97-2512 | Fork sleeve (right-hand) | 1 |
| L, T, R, F | 4. | 47-5065 | Fork oil seal washer | 2 |
| L, T, R, F | 5. | 47-5064 | Oil seal retainer | 4 |
| L, T, R, F | 6. | 97-3635 | Fork bellows | 2 |
| L, T, R, F | 7. | 89-5036 | Fork spring, solo .. 97-2644 | 2 |
| L, T, R | 7. | 42-5145 | Fork spring, sidecar | 2 |
| L, T, R, F | 8. | 97-3638 | Fork spring support | 2 |
| L, T, R, F | 9. | 97-1656 | Washer, spring support | 2 |
| L, T, R, F | 10. | 97-2091 | Fork bottom nut (1 $\frac{1}{8}$ " 28-2A Unified Fine) | 2 |
| L, T, R, F | 11. | 97-2154 | Shuttle valve | 2 |
| L, T, O, F | 12. | 97-2127 | Shuttle valve circlip | 2 |
| L, F, R, F | 13. | 75-5104 | Fork lower bush | 2 |
| L, T, R, F | 14. | 97-3672 | Fork inner sleeve | 2 |
| L, T, R, F | 15. | 75-5105 | Fork top bush | 2 |
| L, T, R, F | 16. | 75-5088 | Outer washer "O" ring | 2 |
| L, T, R, F | 17. | 75-5199 | Fork "O" ring | 2 |
| L, T, R, F | 18. | 97-3633 | Lower cover tube | 2 |
| L, T, R, F | 19. | 75-5099 | Fork oil seal | 2 |
| L, T, R, F | 20. | 97-3906 | Fork stanchion | 2 |
| L, T, R, F | 21. | 97-3933 | Fork outer member (left-hand) | 1 |
| L, T, R, F | 22. | 97-3643 | Fork end cap (left-hand) | 1 |
| L, T, R, F | 22. | 97-3647 | Fork end cap (right-hand) | 1 |
| L, T, R, F | 23. | 54-8003 | Spring washer for bolt, line 24 | 4 |
| L, T, R, F | 24. | 14-0218 | Bolt, fork end cap | 4 |
| L, T, R, F | 25. | 97-2126* | Bolt, for restrictor (1/4" Unified Fine) | 2 |
| L, T, R, F | 26. | 40-5069 | Washer for bolt, line 25 | 2 |
| L, T, R, F, | 27. | 97-3894 | Fork drain plug | 2 |
| L, T, R, F | 28. | 97-3893 | Drain plug washer | 2 |
| L, T, R, F | 29. | 97-3934 | Fork outer member (right-hand) | 1 |
| L, T, R, F | 30. | 97-2090 | Fork restrictor | 2 |
| L, T, R, F | | 97-3902 | Front fork complete | 1 |

*Special material: 25.—EN36T.



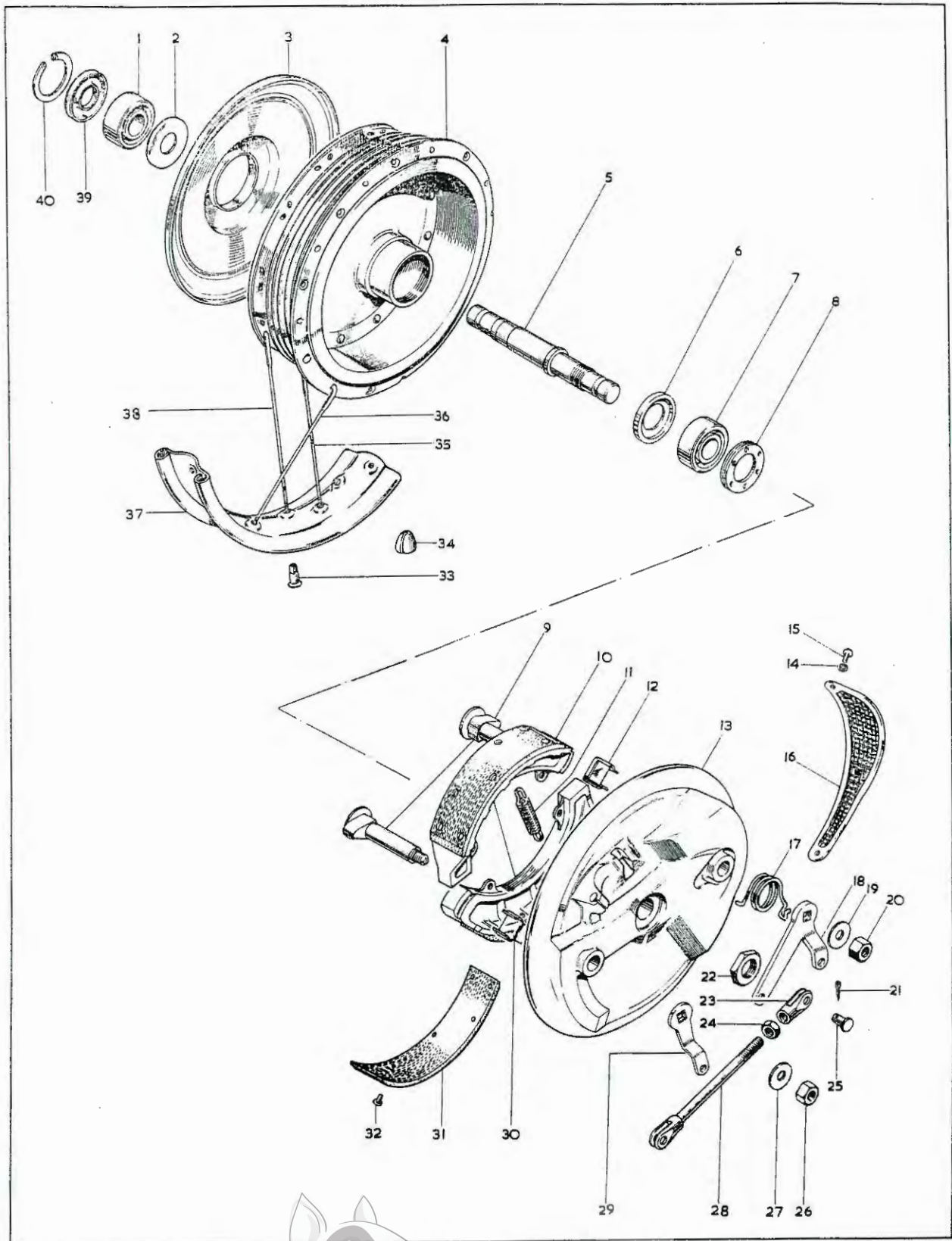
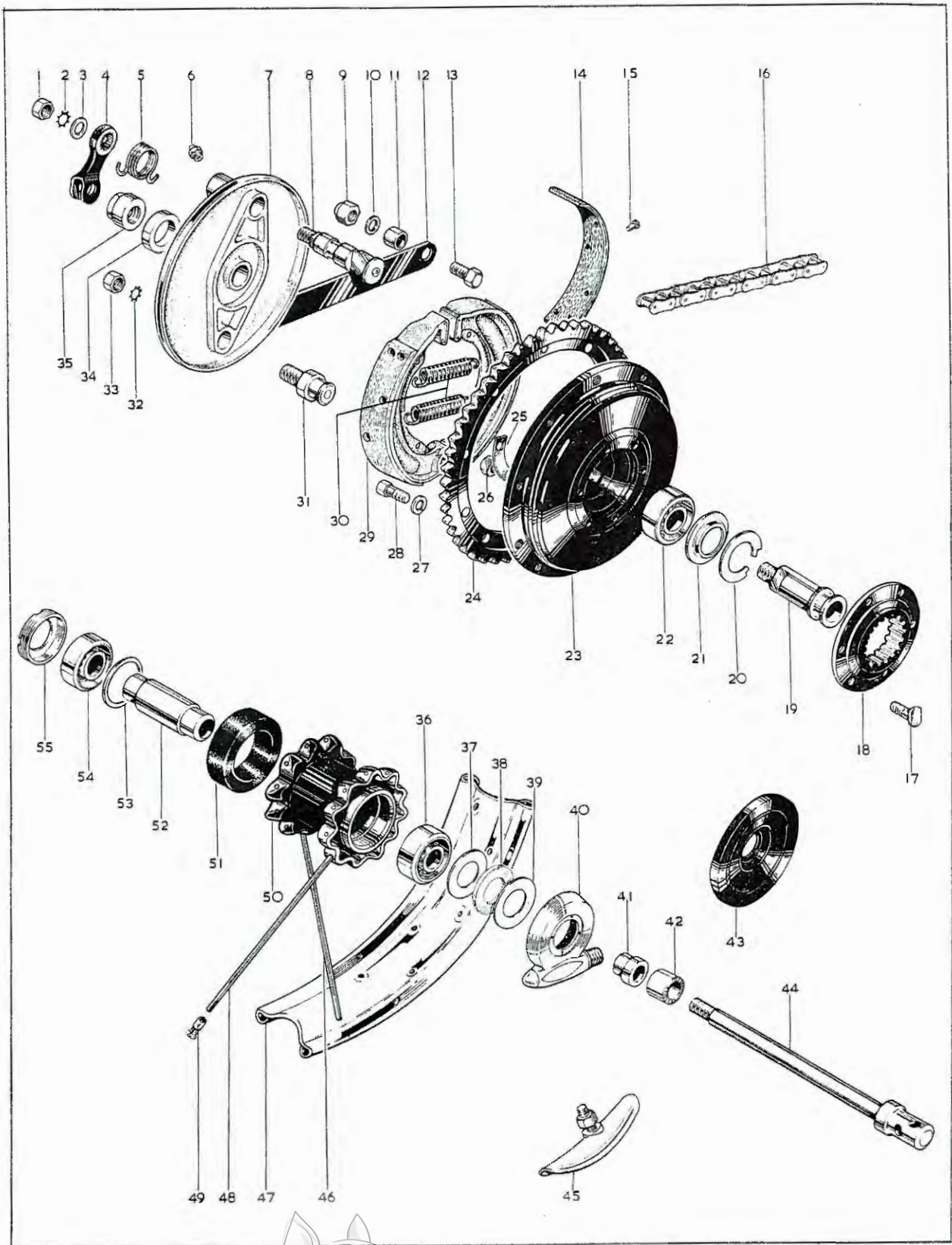


Plate 17

FRONT WHEEL

| Model | Plate Ref. | Spares No. | Description | Per Set |
|------------|------------|------------|--|----------|
| L, T, R, F | 1. | 42-5819 | Bearing (Hoffman 120) | 1 |
| L, T, R, F | 2. | 37-1481 | Grease cap | 1 |
| L, T, R, F | 3. | 37-3460 | Nave plate | 1 |
| L, T, R, F | 4. | 37-3404 | Front hub with spindle and bearings | 1 |
| L, T, R, F | 5. | 37-3582 | Wheel spindle | 1 |
| L, T, R, F | 6. | 37-3337 | Bearing support ring | 1 |
| L, T, R, F | 7. | 42-5819 | Bearing (Hoffman 120) | 1 |
| L, T, R, F | 8. | 42-6335 | Bearing lock ring | 1 |
| L, T, R, F | 9. | 37-2001 | Brake cam spindle | 2 |
| L, T, R, F | 10. | 37-1996 | Brake shoe complete | 2 |
| L, T, R, F | 11. | 42-5841 | Brake shoe spring | 2 |
| L, T, R, F | 12. | 37-2026 | Abutment pad, brake shoe | 1 |
| L, T, R, F | 13. | 37-3462 | Brake anchor plate less brake details | 1 |
| L, T, R, F | 14. | 82-2351 | Washer for screw, line 15 | 3 |
| L, T, R, F | 15. | 21-1998 | Screw, air scoop gauze | 3 |
| L, T, R, F | 16. | 37-1991 | Gauze for air scoop | 1 |
| L, T, R, F | 17. | 37-3522 | Return spring, front brake lever | 1 |
| L, T, R, F | 18. | 37-3453 | Brake lever (front) | 1 |
| L, T, R, F | 19. | 37-2027 | Washer for nut, line 20 | 1 |
| L, T, R, F | 20. | 14-0303 | Nut, front brake lever ($\frac{3}{8}$ " Unified Fine) | 1 |
| L, T, R, F | 21. | 60-2683 | Split pin for pivot pin, line 25 ($\frac{1}{16}$ " \times $\frac{3}{8}$ ") | 2 |
| L, T, R, F | 22. | 21-1995 | Nut, anchor plate | 1 |
| L, T, R, F | 23. | 37-2005 | Fork end, brake rod | 1 |
| L, T, R, F | 24. | 14-0401 | Locknut for fork end ($\frac{1}{4}$ " Unified Fine) | 1 |
| L, T, R, F | 25. | 42-5836 | Pivot pin, brake rod | 2 |
| L, T, R, F | 26. | 14-0303 | Nut, rear brake lever ($\frac{3}{8}$ " Unified Fine) | 1 |
| L, T, R, F | 27. | 37-2027 | Washer for nut, line 27 | 1 |
| L, T, R, F | 28. | 37-2003 | Brake rod | 1 |
| L, T, R, F | 29. | 37-3454 | Brake lever (rear) | 1 |
| L, T, R, F | 30. | 37-2026 | Abutment pad, brake shoe | 1 |
| L, T, R, F | 31. | 19-7734 | Brake lining | 2 |
| L, T, R, F | 32. | 37-2059 | Brake lining rivet | 14 |
| L, T, R, F | 33. | 42-5812 | Spoke nipple | 40 |
| L, T, R, F | 34. | 37-1197 | Balance weight ($\frac{3}{4}$ ") | as reqd. |
| L, T, R, F | 34. | 37-1198 | Balance weight (1") | as reqd. |
| L, T, R, F | 35. | 37-1709 | Spoke (right-hand, inner) | 10 |
| L, T, R, F | 36. | 37-1708 | Spoke (right-hand, outer) | 10 |
| L, T, R, F | 37. | 37-1230 | Wheel rim, steel (WM2-19) | 1 |
| L, T, R, F | 38. | 37-1328 | Spoke (left-hand) | 20 |
| L, T, R, F | 39. | 42-5820 | Bearing dust cap | 1 |
| L, T, R, F | 40. | 57-0280 | Dust cap circlip | 1 |
| L, T, R, F | | 37-3405 | Front wheel with spindle and bearings | 1 |
| L, T, R, F | | 37-3461 | Brake anchor plate with brake details | 1 |

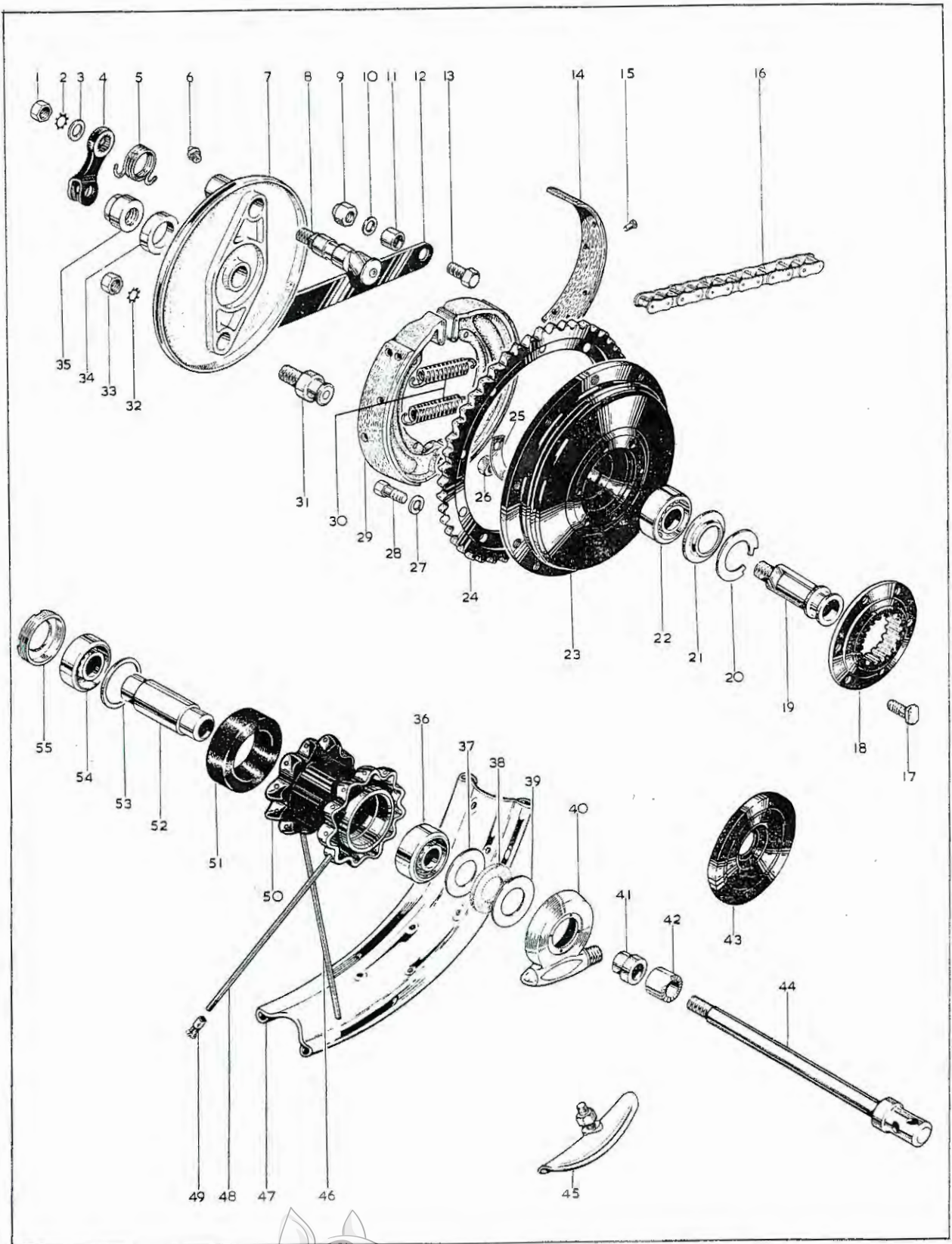




REAR WHEEL.

| <i>Model</i> | <i>Plate Ref.</i> | <i>Spares No.</i> | <i>Description</i> | <i>Per Set</i> |
|--------------|-------------------|-------------------|---|----------------|
| L, T, R, F | 1. | 02-0440 | Nut, brake lever to cam spindle (7/16" British Standard Cycle) | 1 |
| L, T, R, F | 2. | 66-4708 | Lockwasher for nut, line 1 (7/16") | 1 |
| L, T, R, F | 3. | 15-0431 | Washer for nut, line 1 (7/16" × 3/4" × 1/16") | 1 |
| L, T, R, F | 4. | 42-6045 | Brake lever, anchor plate | 1 |
| L, T, R, F | 5. | 68-6134 | Return spring, brake lever | 1 |
| L, T, R, F | 6. | 28-2080 | Grease nipple, cam spindle | 1 |
| L, T, R, F | 7. | 68-6130 | Brake anchor plate less brake details | 1 |
| L, T, R, F | 8. | 37-2226 | Cam spindle complete | 1 |
| L, T, R, F | 9. | 14-1803 | Nut, anchor strap to swinging arm (3/8" Unified Fine) | 1 |
| L, T, R, F | 10. | 02-2138 | Washer, anchor strap to swinging arm | 2 |
| L, T, R, F | 11. | 40-4908 | Spacer, anchor strap | 1 |
| L, T, R, F | 12. | 42-6036 | Anchor Strap | 1 |
| L, T, R, F | 13. | 14-0237 | Bolt, anchor strap to swinging arm (3/8" Unified Fine × 2 1/2") | 1 |
| L, T, R, F | 14. | 19-7717 | Brake lining | 2 |
| L, T, R, F | 15. | 35-6436 | Rivet for brake lining | 14 |
| L, T, F | 16. | 19-8681 | Rear chain (5/8" × 3/8" × 106 pitch) | 1 |
| L, T, R | 16. | 19-8682 | Rear chain (5/8" × 3/8" × 105 pitch) | 1 |
| L, T, R, F | 17. | 67-6038* | Bolt, driving flange to drum | 6 |
| L, T, R, F | 18. | 42-6019 | Driving flange | 1 |
| L, T, R, F | 19. | 68-6121 | Fixed spindle | 1 |
| L, T, R, F | 20. | 65-2240 | Circlip, drum bearing | 1 |
| L, T, R, F | 21. | 68-6131 | Shim, brake drum bearing | 1 |
| L, T, R, F | 22. | 65-2045 | Bearing, brake drum (Hoffman 125) | 1 |
| L, T, R, F | 23. | 68-6116 | Brake drum | 1 |
| L, T, R, F | 24. | 68-6088 | Rear chainwheel (47 teeth) | 1 |
| L, T, R, F | 25. | 68-6135 | Tab washer for nut, line 26 | 3 |
| L, T, R, F | 26. | 02-0452 | Nut for bolt, line 17 (3/8" British Standard Cycle) | 6 |
| L, T, R, F | 27. | 68-6092 | Spring washer for bolt, line 28 (5/16") | 10 |
| L, T, R, F | 28. | 68-6095* | Bolt, chainwheel to drum (5/16" Unified Fine × 35/64") | 10 |
| L, T, R, F | 29. | 65-5940 | Brake shoe complete | 2 |



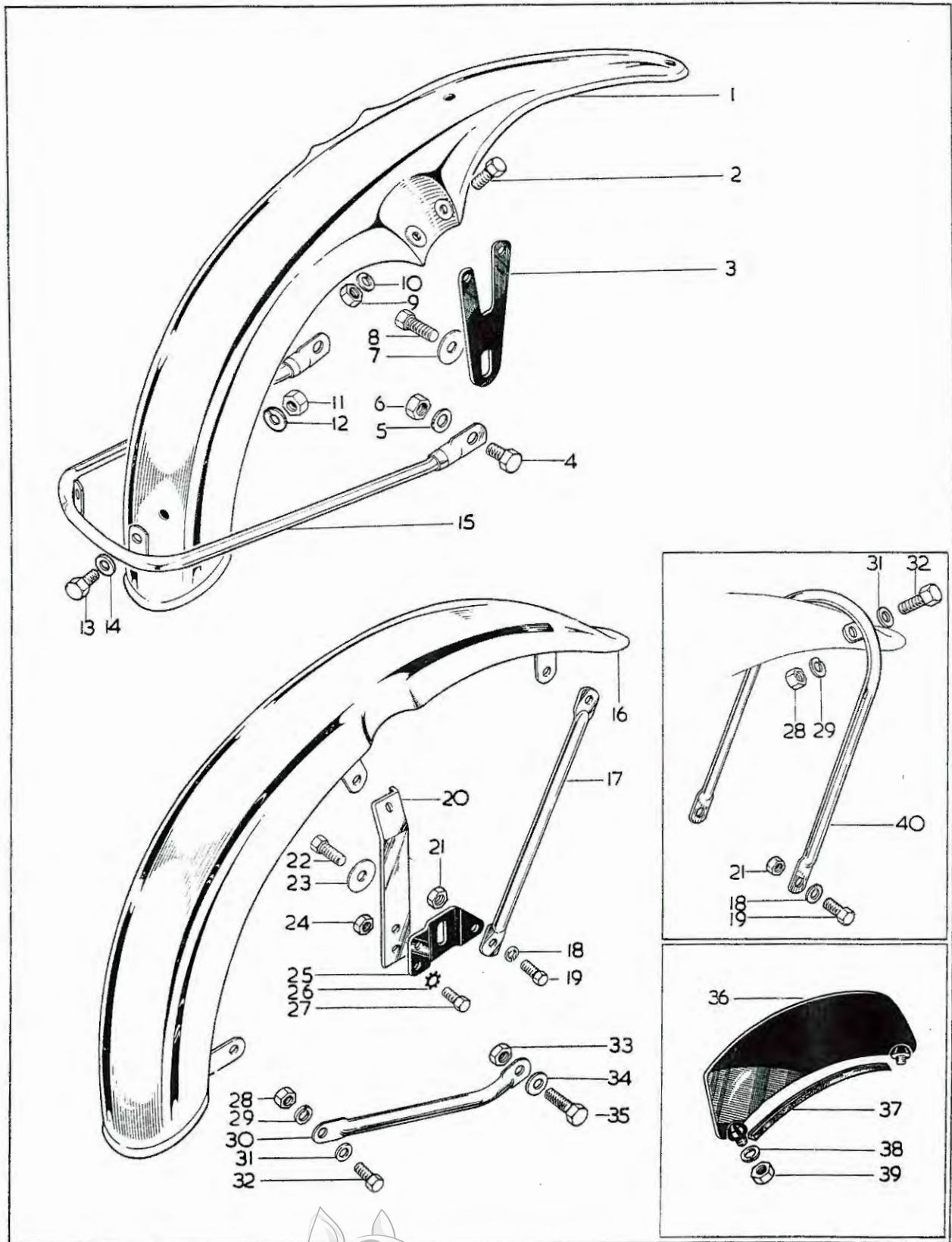


REAR WHEEL

| Model | Plate Ref. | Spares No. | Description | Per Set |
|------------|------------|------------|---|---------|
| L. T, R, F | 30. | 65-5904 | Return spring, brake shoe | 2 |
| L. T, R, F | 31. | 68-6133 | Pivot pin, brake shoe | 1 |
| L. T, R, F | 32. | 65-5111 | Lockwasher for nut, line 33 (1/2") | 1 |
| L. T, R, F | 33. | 24-7000 | Nut, pivot pin to brake plate (1/2" British Standard Cycle) | 1 |
| L. T, R, F | 34. | 68-6132 | Collar, brake plate | 1 |
| L. T, R, F | 35. | 68-6100 | Nut, fixed spindle | 1 |
| L. T, R, F | 36. | 65-5883 | Hub bearing (Hoffman LS9) | 1 |
| L. T, R, F | 37. | 65-5887 | Felt washer retainer | 1 |
| L. T, R, F | 38. | 65-5886 | Felt washer | 1 |
| L. T, R, F | 39. | 41-6021 | Retaining ring, felt washer | 1 |
| L. T, R, F | 40. | 19-9217 | Speedometer gearbox, m.p.h. (1-25 to 1) | 1 |
| L. T, R, F | 40. | 19-9212 | Speedometer gearbox, k.p.h. (2 to 1) | 1 |
| L. T, R, F | 41. | 41-6019 | Inner collar (right-hand) | 1 |
| L. T, R, F | 42. | 68-6110 | Outer collar (right-hand) | 1 |
| L. T, R, F | 43. | 68-6142 | Hub end cover | 1 |
| L. T, R, F | 44. | 68-6120 | Wheel spindle | 2 |
| L. T, R, F | 45. | 37-3468 | Security bolt | 20 |
| L. T, R, F | 46. | 42-6011 | Spoke (left-hand) | 20 |
| L. T, R, F | 47. | 42-6371 | Wheel rim (WM3-18 steel) | 1 |
| L. T, R, F | 48. | 42-6012 | Spoke (right-hand) | 20 |
| L. T, R, F | 49. | 27-6810 | Spoke nipple | 40 |
| L. T, R, F | 50. | 68-6114 | Hub with spindle and bearings | 1 |
| L. T, R, F | 51. | 67-6051 | Rubber sleeve | 1 |
| L. T, R, F | 52. | 67-6027 | Spindle sleeve | 1 |
| L. T, R, F | 53. | 65-5884 | Bearing thrust washer | 1 |
| L. T, R, F | 54. | 65-5883 | Hub bearing (Hoffman LS9) | 1 |
| L. T, R, F | 55. | 68-6081 | Bearing lock ring | 1 |
| L. T, R, F | | 68-6145 | Wheel with spindle and bearings | 1 |

*Special material: 17.—EN14B. 28.—EN14B.

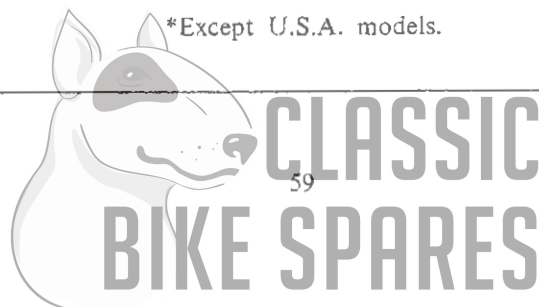


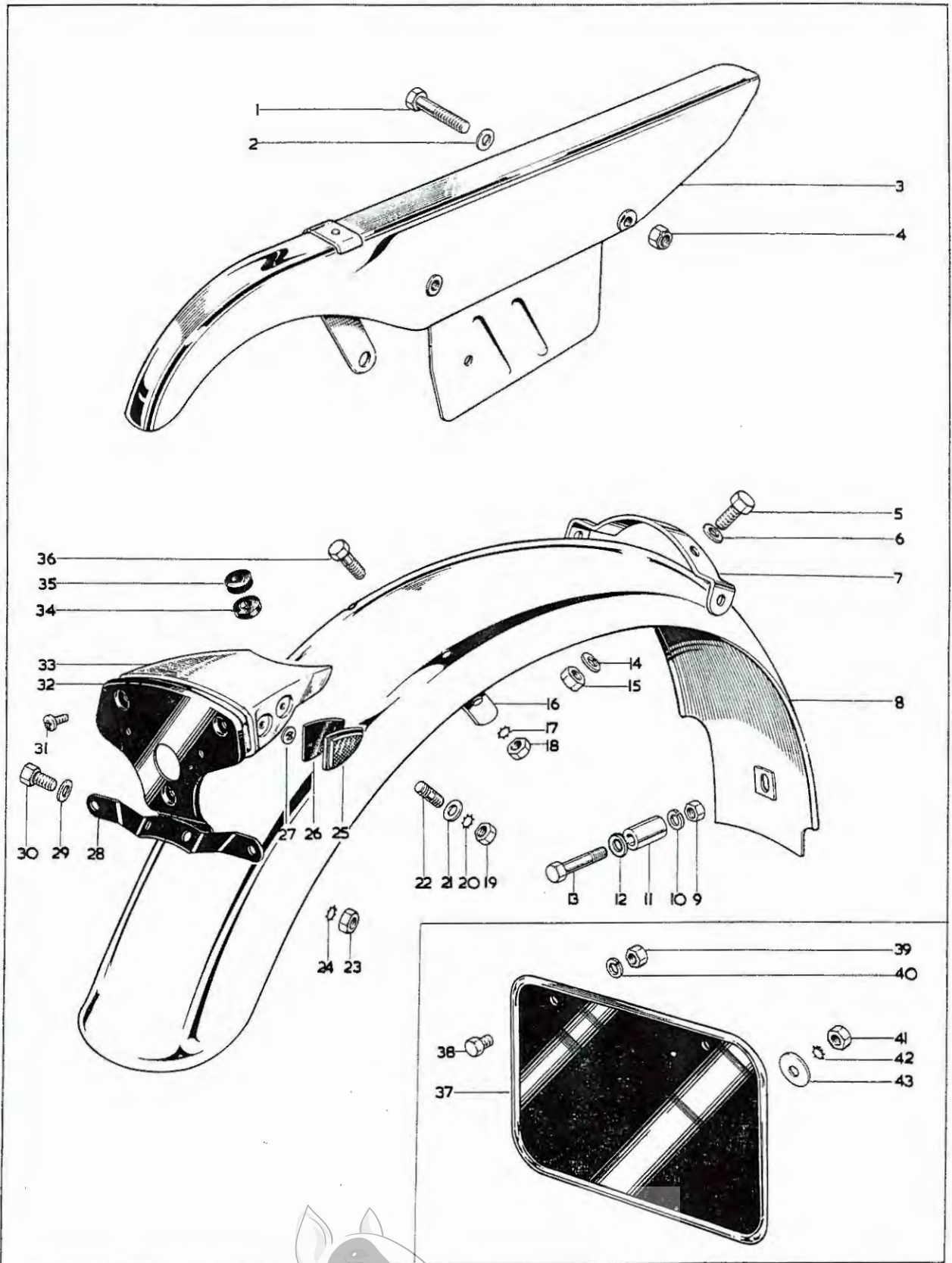


FRONT MUDGUARDS

| Model | Plate Ref. | Spares No. | Description | Per Set |
|---------------|------------|------------|--|---------|
| F | 1. | 97-3896 | Front mudguard | 1 |
| F | 2. | 14-0101 | Bolt, mudguard to bracket ($\frac{1}{4}$ " Unified Fine $\times \frac{1}{2}$ ") | 4 |
| F | 3. | 82-9772 | Bracket, mudguard to fork | 2 |
| F | 4. | 14-0114 | Bolt, stay to fork end ($\frac{5}{16}$ " Unified Fine $\times \frac{3}{4}$ ") | 2 |
| F | 5. | 54-0055 | Washer for nut, line 6 ($\frac{5}{16}$ " $\times \frac{5}{8}$ " $\times \frac{1}{16}$ ") | 2 |
| F | 6. | 14-0702 | Nut for bolt, line 4 ($\frac{5}{16}$ " Unified Fine) | 2 |
| F | 7. | 54-5504 | Washer, bracket to fork leg | 2 |
| F | 8. | 21-1822 | Bolt, bracket to fork leg ($\frac{5}{16}$ " Unified Fine $\times \frac{1}{2}$ ") | 2 |
| F | 9. | 14-0301 | Nut for bolt, line 2 ($\frac{1}{4}$ " Unified Fine) | 4 |
| F | 10. | 82-9020 | Spring washer for nut, line 9 ($\frac{1}{4}$ ") | 4 |
| F | 11. | 14-0301 | Nut for bolt, line 13 ($\frac{1}{4}$ " Unified Fine) | 2 |
| F | 12. | 82-9020 | Spring washer for nut, line 11 ($\frac{1}{4}$ ") | 2 |
| F | 13. | 14-0101 | Bolt, bottom stay to mudguard ($\frac{1}{4}$ " Unified Fine $\times \frac{1}{2}$ ") | 2 |
| F | 14. | 27-8560 | Washer, mudguard bottom fixing | 4 |
| F | 15. | 97-3897 | Bottom stay | 1 |
| L (U.S.A.) | 16. | 68-6539 | Front mudguard | 2 |
| T, R (U.S.A.) | 16. | 68-6536 | Front mudguard | 1 |
| L, T, R | 16. | 68-6535 | Front mudguard (for number plate) | 1 |
| L, T, R | 17. | 97-3650 | Front stay | 2 |
| L, T, R | 18. | 24-8784 | Spring washer for bolt, line 19 ($\frac{5}{16}$ " $\times \frac{5}{8}$ " $\times .040$ ") | 2 |
| L, T, R | 19. | 14-0113 | Bolt, stay to bracket ($\frac{5}{16}$ " Unified Fine $\times \frac{5}{8}$ ") | 2 |
| L, T, R | 20. | 68-6548 | Centre stay (left-hand) | 1 |
| L, T, R | 20. | 68-6549 | Centre stay (right-hand) | 1 |
| L, T, R | 21. | 14-0402 | Nut for bolt, line 19 ($\frac{5}{16}$ " Unified Fine) | 2 |
| L, T, R | 22. | 21-1822 | Bolt, bracket to fork leg ($\frac{5}{16}$ " Unified Fine $\times \frac{1}{2}$ ") | 2 |
| L, T, R | 23. | 54-5504 | Washer, bracket to fork leg | 2 |
| L, T, R | 24. | 14-0402 | Nut for bolt, line 27 ($\frac{5}{16}$ " Unified Fine) | 4 |
| L, T, R | 25. | 82-9610 | Bracket, left-hand, stays to fork | 1 |
| L, T, R | 25. | 82-9771 | Bracket, right-hand, stays to fork | 1 |
| L, T, R | 26. | 36-0382 | Lockwasher for bolt, line 27 ($\frac{5}{16}$ ") | 4 |
| L, T, R | 27. | 14-0114 | Bolt, centre stay to bracket ($\frac{5}{16}$ " Unified Fine $\times \frac{3}{4}$ ") | 4 |
| L, T, R | 28. | 14-0301 | Nut for bolt, line 32 ($\frac{1}{4}$ " Unified Fine) | 6 |
| L, T, R | 29. | 82-9020 | Spring washer for nut, line 28 ($\frac{1}{4}$ ") | 6 |
| L, T, R | 30. | 82-8347 | Bottom stay (left-hand) | 1 |
| L, T, R | 30. | 82-8348 | Bottom stay (right-hand) | 1 |
| L, T, R | 31. | 27-8560 | Washer for bolt, line 32 ($\frac{1}{4}$ " $\times \frac{5}{8}$ " $\times .048$ ") | 6 |
| L, T, R | 32. | 14-0102 | Bolt, stays to mudguard ($\frac{1}{4}$ " Unified Fine $\times \frac{5}{8}$ ") | 6 |
| L, T, R | 33. | 14-0702 | Nut for bolt, line 35 ($\frac{5}{16}$ " Unified Fine) | 2 |
| L, T, R | 34. | 54-0055 | Washer for bolt, line 35 ($\frac{5}{16}$ " $\times \frac{5}{8}$ " $\times \frac{1}{16}$ ") | 2 |
| L, T, R | 35. | 14-0114 | Bolt, bottom stay to fork end ($\frac{5}{16}$ " Unified Fine $\times \frac{3}{4}$ ") | 2 |
| L, T, R | 36. | 68-6524* | Front number plate | 1 |
| L, T, R | 37. | 42-6558* | Number plate bead | 1 |
| L, T, R | 38. | 82-9020* | Spring washer, number plate to mudguard ($\frac{1}{4}$ ") | 2 |
| L, T, R | 39. | 02-2395* | Nut, number plate to mudguard ($\frac{1}{4}$ " British Standard Cycle) | 2 |
| L (U.S.A.) | 40. | 97-3850 | Front stay | 1 |

*Except U.S.A. models.

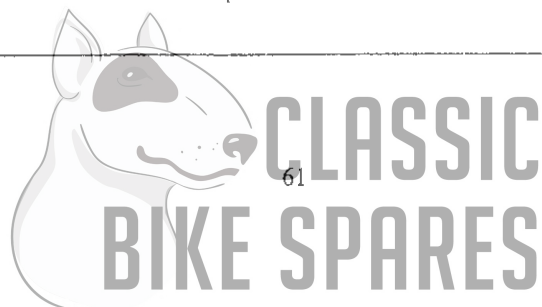


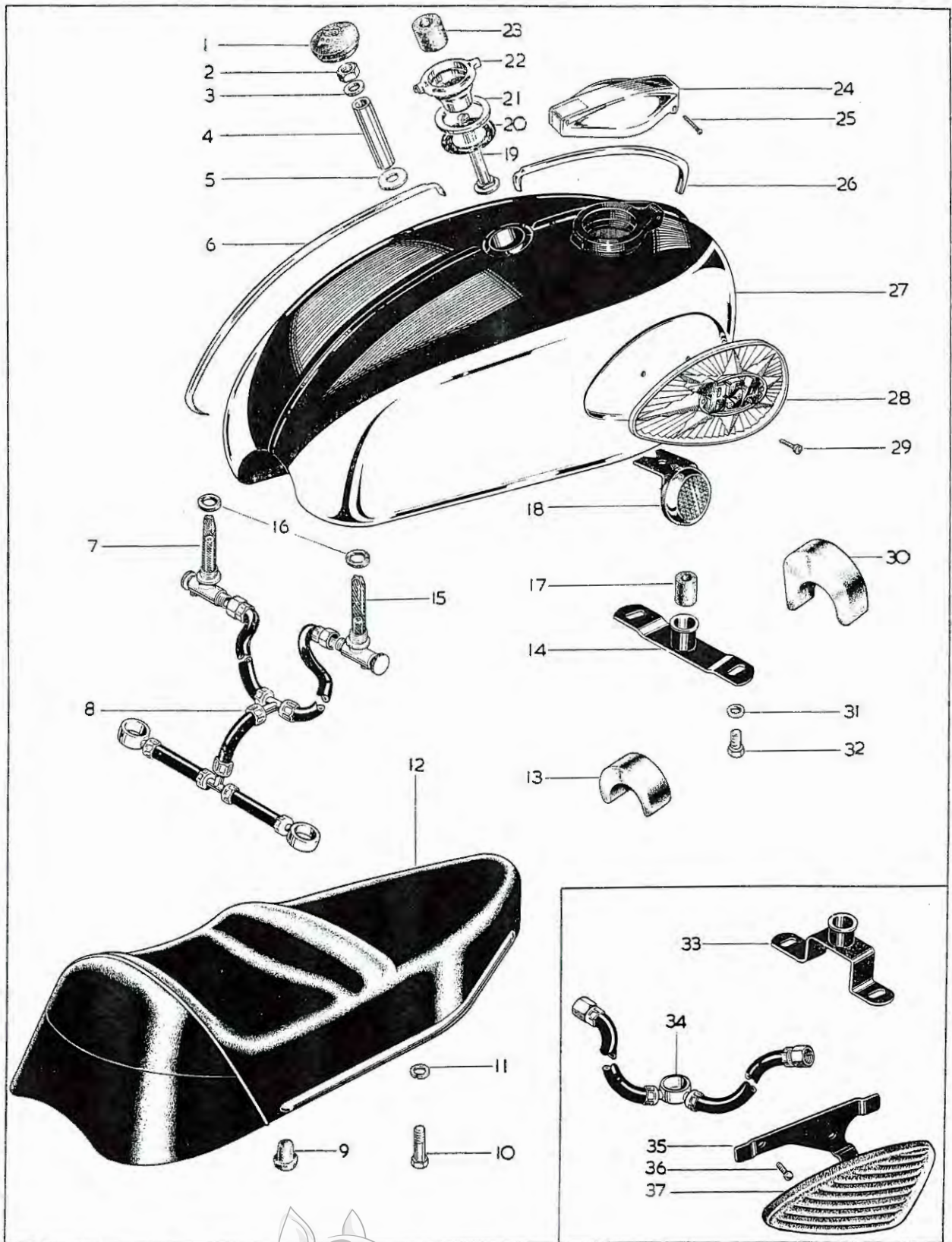


REAR MUDGUARD AND CHAINGUARD

| Model | Plate Ref. | Spares No. | Description | Per Set |
|------------------|------------|------------|--|---------|
| L, T, R, F | 1. | 68-7723 | Bolt, chainguard to swinging arm ($\frac{1}{4}$ " British Standard Cycle \times 2") .. | 2 |
| L, T, R, F | 2. | 27-8560 | Washer for bolt, line 1 ($\frac{1}{4}$ " \times $\frac{5}{8}$ " \times .048") | 2 |
| L, T, R, F | 3. | 82-9192 | Rear chainguard | 1 |
| L, T, R, F | 4. | 40-0414 | Nut for bolt, line 1 ($\frac{1}{4}$ " British Standard Cycle) | 2 |
| L, T, R, F | 5. | 14-0101 | Bolt, bridge to guard ($\frac{1}{4}$ " Unified Fine \times $\frac{1}{2}$ ") | 2 |
| L, T, R, F | 6. | 27-8560 | Washer for bolt, line 5 ($\frac{1}{4}$ " \times $\frac{5}{8}$ " \times .048") | 2 |
| L, T, R, F | 7. | 68-6767 | Mudguard bridge (top) | 1 |
| L, T, R | 8. | 68-6857 | Rear mudguard, for number plate | 1 |
| L, T, F (U.S.A.) | 8. | 68-6856 | Rear mudguard | 1 |
| L, T, R, F | 9. | 14-0301 | Nut for bolt, line 13 ($\frac{1}{4}$ " Unified Fine) | 1 |
| L, T, R, F | 10. | 82-9020 | Spring washer for nut, line 9 ($\frac{1}{4}$ ") | 1 |
| L, T, R, F | 11. | 68-6906 | Spacer for bolt, line 13 | 1 |
| L, T, R, F | 12. | 27-8560 | Washer for bolt, line 13 | 1 |
| L, T, R, F | 13. | 14-0205 | Bolt, guard to frame ($\frac{1}{4}$ " Unified Fine \times 1 $\frac{1}{2}$ ") | 1 |
| L, T, R, F | 14. | 82-9020 | Spring washer for nut, line 15 ($\frac{1}{4}$ ") | 2 |
| L, T, R, F | 15. | 14-0301 | Nut for bolt, line 5 ($\frac{1}{4}$ " Unified Fine) | 2 |
| L, T, R, F | 16. | 68-6768 | Stiffener plate | 1 |
| L, T, R, F | 17. | 36-0382 | Lockwasher for nut, line 18 ($\frac{5}{16}$ ") | 2 |
| L, T, R, F | 18. | 14-0402 | Nut for bolt, line 36 ($\frac{5}{16}$ " Unified Fine) | 2 |
| L, T, R, F | 19. | 02-2395 | Nut for stud, line 22 ($\frac{1}{4}$ " British Standard Cycle) | 1 |
| L, T, R, F | 20. | 29-0541 | Lockwasher for nut, line 19 ($\frac{1}{4}$ ") | 1 |
| L, T, R, F | 21. | 76-0101 | Washer for stud, line 22 (17/64" \times $\frac{3}{4}$ " \times .080") | 1 |
| L, T, R, F | 22. | 31-0222 | Stud, rear lamp support ($\frac{1}{4}$ " British Standard Cycle/Whitworth) .. | 1 |
| L, T, R, F | 23. | 14-0301 | Nut for bolt, line 30 ($\frac{1}{4}$ " Unified Fine) | 2 |
| L, T, R, F | 24. | 29-0541 | Lockwasher for nut, line 23 ($\frac{1}{4}$ ") | 2 |
| L, T, R, F | 25. | 19-0943 | Rear side reflector (Lucas 57111) | 2 |
| L, T, R, F | 26. | 82-8140 | Rubber pad for reflector | 2 |
| L, T, R, F | 27. | 82-8195 | "Push-fix" for reflector | 4 |
| L, T, R, F | 28. | 68-6834 | Number plate bracket | 1 |
| L, T, R, F | 29. | 27-8560 | Washer, number plate bracket to guard ($\frac{1}{4}$ " \times $\frac{5}{8}$ " \times .048") | 2 |
| L, T, R, F | 30. | 14-0101 | Bolt, number plate bracket to guard ($\frac{1}{4}$ " Unified Fine \times $\frac{1}{2}$ ") | 2 |
| L, T, R, F | 31. | 54-9012 | Screw, lamp to support (2 British Association \times $\frac{5}{16}$ ") | 1 |
| L, T, R, F | 32. | 68-6835 | Rear lamp to support plate | 1 |
| L, T, R, F | 33. | 82-8253 | Rear lamp support | 1 |
| L, T, R, F | 34. | 82-9097 | Grommet for stud, line 22 | 1 |
| L, T, R, F | 35. | 67-6839 | Wiring grommet | 2 |
| L, T, R, F | 36. | 14-0115 | Bolt, guard to seat rail ($\frac{5}{16}$ " Unified Fine \times $\frac{7}{8}$ ") | 2 |
| L, T, R | 37. | 68-6837* | Rear number plate | 2 |
| L, T, R | 38. | 14-0604* | Bolt, number plate top fixing ($\frac{1}{4}$ " Unified Fine \times $\frac{1}{2}$ ") | 1 |
| L, T, R | 39. | 14-0301* | Nut for bolt, line 38 ($\frac{1}{4}$ " Unified Fine) | 2 |
| L, T, R | 40. | 82-9020* | Spring washer for nut, line 39 ($\frac{1}{4}$ ") | 2 |
| L, T, R | 41. | 14-0301* | Nut, number plate bottom fixing ($\frac{1}{4}$ " Unified Fine) | 1 |
| L, T, R | 42. | 29-0541* | Lockwasher for nut, line 41 ($\frac{1}{4}$ ") | 1 |
| L, T, R | 43. | 27-8560* | Washer, number plate bottom fixing ($\frac{1}{4}$ " \times $\frac{5}{8}$ " \times .048") | 1 |

*Except U.S.A. models.

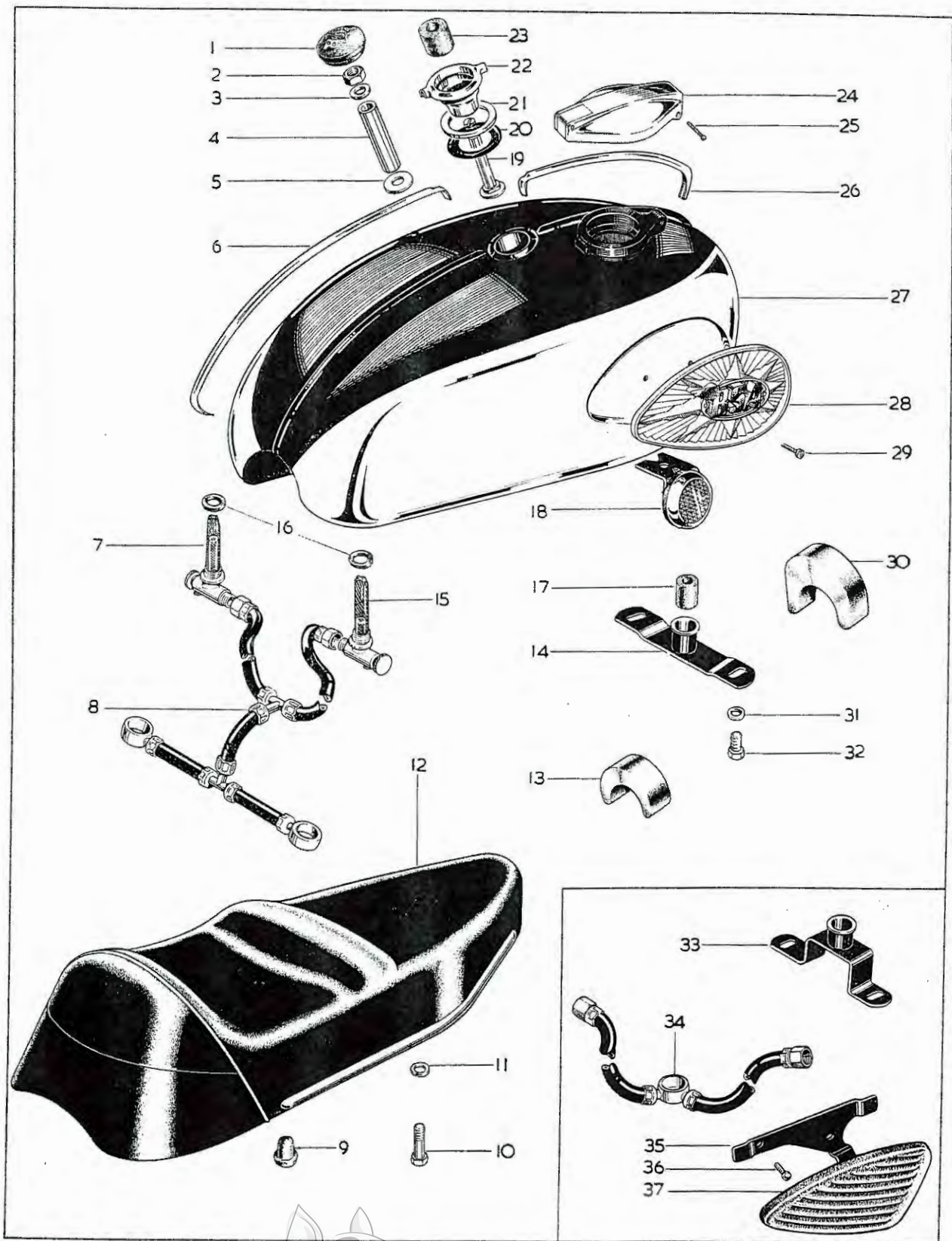




PETROL TANK (STEEL), TWIN SEAT

| <i>Model</i> | <i>Plate Ref.</i> | <i>Spare No.</i> | <i>Description</i> | <i>Per Set</i> |
|---------------|-------------------|------------------|--|----------------|
| L, T, R | 1. | 42-8010 | Grommet, petrol tank, 2 and 4 gallon | 1 |
| L, T, R | 2. | 68-8014 | Nut, tank mounting, 4 gallon ($\frac{5}{16}$ " British Standard Cycle) | 1 |
| L, T | 2. | 21-1999 | Nut, tank mounting, 2 gallon | 1 |
| L, T, R | 3. | 68-8016 | Washer, top tank mounting, 2 and 4 gallon ($\cdot 453" \times \cdot 906" \times 3/32"$) | 1 |
| L, T, R | 4. | 68-8174 | Spacer tube, tank mounting, 2 gallon | 1 |
| L, T, R | 4. | 68-8012 | Spacer tube, tank mounting, 4 gallon | 1 |
| L, T, R | 5. | 76-0012 | Washer, bottom tank mounting, 2 and 4 gallon ($\frac{5}{16}" \times 9/16" \times 3/32"$) | 1 |
| L, T, R | 6. | 68-8159 | Beading, rear, 2 gallon | 1 |
| L, T, R | 6. | 68-8039 | Beading, rear, 4 gallon | 1 |
| L, T, R | 7. | 82-9611 | Petrol tap, long, 2 and 4 gallon | 1 |
| L | 8. | 82-8409 | Petrol pipe complete, 2 and 4 gallon | 1 |
| L, T, R, F | 9. | 76-9110 | Rubber pad, twin seat | 2 |
| L, T, R, F | 10. | 03-1156 | Bolt, twin seat ($\frac{5}{16}$ " British Standard Cycle $\times \frac{7}{8}"$) | 2 |
| L, T, R, F | 11. | 24-8784 | Spring washer, twin seat ($\frac{5}{16}" \times \frac{5}{8}" \times \cdot 040"$) | 2 |
| L, T, R, F | 12. | 68-9330 | Twin seat | 1 |
| L, T, R | 13. | 68-8018 | Rubber pad, rear, 2 and 4 gallon | 1 |
| L, T, R | 14. | 68-8176 | Tank bracket, 2 gallon | 1 |
| L, T, R | 15. | 68-8024 | Petrol tap, short, 2 and 4 gallon | 1 |
| L, T, R | 16. | 82-9204 | Petrol tap washer, 2 and 4 gallon | 2 |
| L, T, R | 17. | 68-8054 | Rubber bush, tank bracket | 1 |
| L.T.F(U.S.A.) | 18. | 19-1035 | Side reflector complete (Lucas 57173) | 2 |
| L, T, R | 19. | 68-8011 | Mounting bolt, 4 gallon ($\frac{5}{16}$ " British Standard Cycle) | 1 |
| L, T | 19. | 21-1993 | Mounting bolt, 2 gallon ($\frac{5}{16}$ " British Standard Cycle) | 1 |
| L, T, R | 20. | 68-8013 | "O" ring, beading holder, 2 and 4 gallon | 1 |
| L, T, R | 21. | 68-8019 | Mounting ring, 2 and 4 gallon | 1 |
| L, T, R | 22. | 68-8035 | Beading holder, 2 and 4 gallon | 1 |
| L, T, R | 23. | 42-8017 | Mounting rubber, 2 and 4 gallon | 1 |
| L, T | 24. | 68-8190 | Filler cap, 2 gallon | 1 |





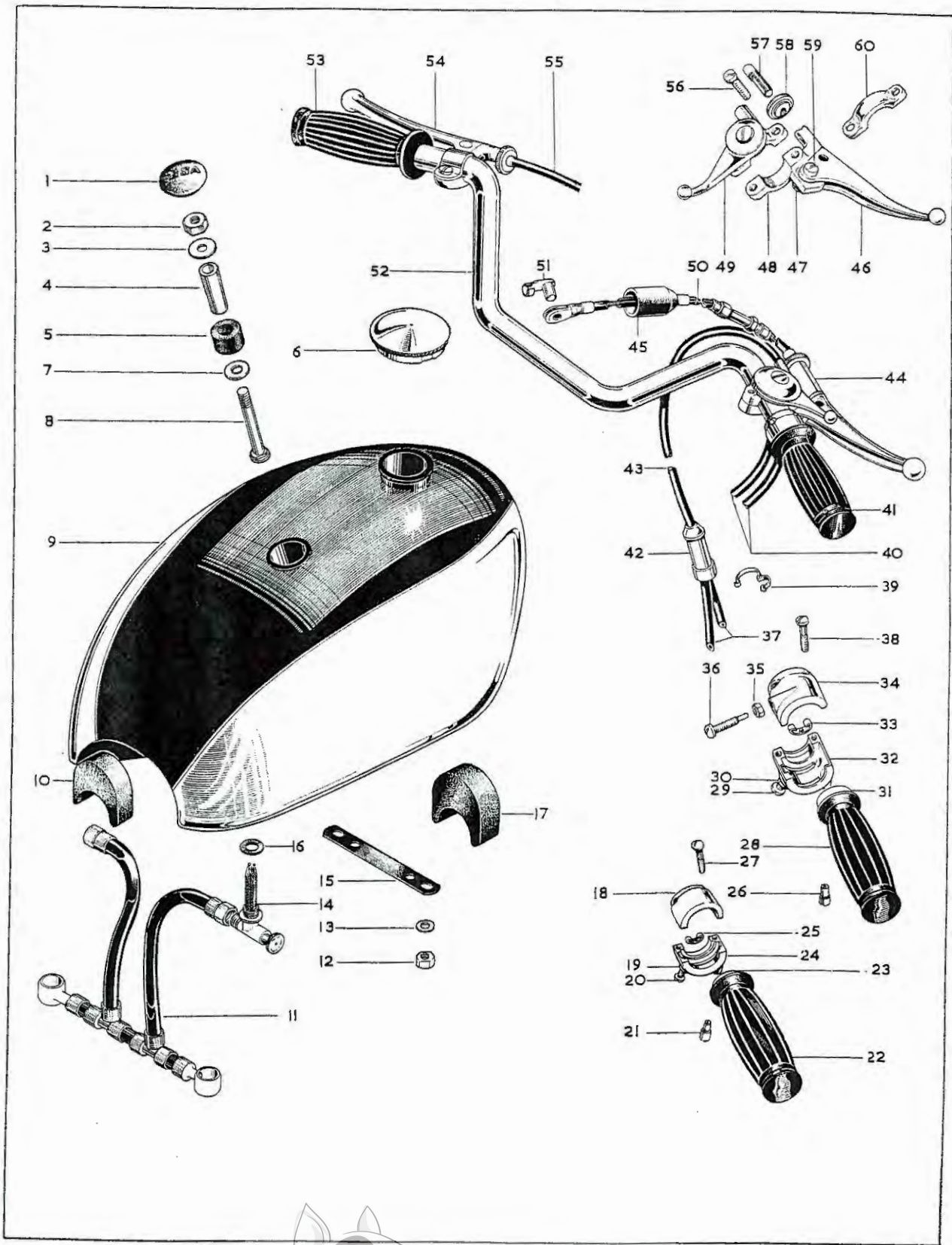
PETROL TANK (STEEL), TWIN SEAT

| Model | Plate Ref. | Spares No. | Description | Per Set |
|---------|------------|------------|---|---------|
| L, T, R | 24. | 75-8009 | Filler cap, domed, 4 gallon | 1 |
| L, T | 25. | 68-8191 | Rivet, filler cap, 2 gallon | 1 |
| L, T | 26. | 68-8158 | Beading, front, 2 gallon | 1 |
| L, T, R | 26. | 68-8038 | Beading, front, 4 gallon | 1 |
| L, T | 27. | 68-8188 | Petrol tank, 2 gallon | 1 |
| L, T, R | 27. | 68-8189 | Petrol tank, 4 gallon | 1 |
| L, T, R | 28. | 82-9696 | Tank badge, right-hand, 2 and 4 gallon | 1 |
| L, T, R | 28. | 82-9695 | Tank badge, left-hand, 2 and 4 gallon | 1 |
| L, T, R | 29. | 82-8250 | Screw, tank badge, 2 and 4 gallon ($\frac{1}{8}$ " Whitworth, 40 turns per inch) | 4 |
| L, T | 30. | 68-8110 | Rubber pad, front, 2 gallon | 1 |
| L, T, R | 30. | 68-8017 | Rubber pad, front, 4 gallon | 1 |
| L, T, R | 31. | 02-0923 | Washer for bolt, line 32 ($\frac{5}{16}$ " \times $\frac{5}{8}$ " \times $\frac{1}{16}$ ") | 2 |
| L, T | 32. | 21-5662 | Bolt, tank bracket, 2 gallon ($\frac{7}{16}$ " British Standard Fine \times $\frac{5}{8}$ ") | 2 |
| L, T, R | 32. | 21-6050* | Bolt, tank bracket, 4 gallon ($\frac{7}{16}$ " British Standard Fine \times $\frac{1}{2}$ ") | 2 |
| L, T, R | 33. | 68-8062 | Tank bracket, 4 gallon | 1 |
| T, R | 34. | 82-8408 | Petrol pipe, 2 and 4 gallon | 1 |
| L, T, R | 35. | 42-8114 | Knee grip bracket, left-hand, 4 gallon | 1 |
| L, T, R | 35. | 42-8115 | Knee grip bracket, right-hand, 4 gallon | 1 |
| L, T, R | 36. | 24-7178 | Screw, bracket, 4 gallon ($\frac{1}{4}$ " British Standard Cycle \times $\frac{7}{8}$ ") | 4 |
| L, T, R | 37. | 40-8029 | Knee grip, right-hand, 4 gallon | 1 |
| L, T, R | 37. | 40-8030 | Knee grip, left-hand, 4 gallon | 1 |
| L | | 60-1991† | Tank top transfer, 2 and 4 gallon | 1 |
| T | | 60-2002† | Tank top transfer, 2 and 4 gallon | 1 |
| R | | 60-2150† | Tank top transfer, 2 and 4 gallon | 1 |

*Special material: 32.—EN15.

†Not illustrated.

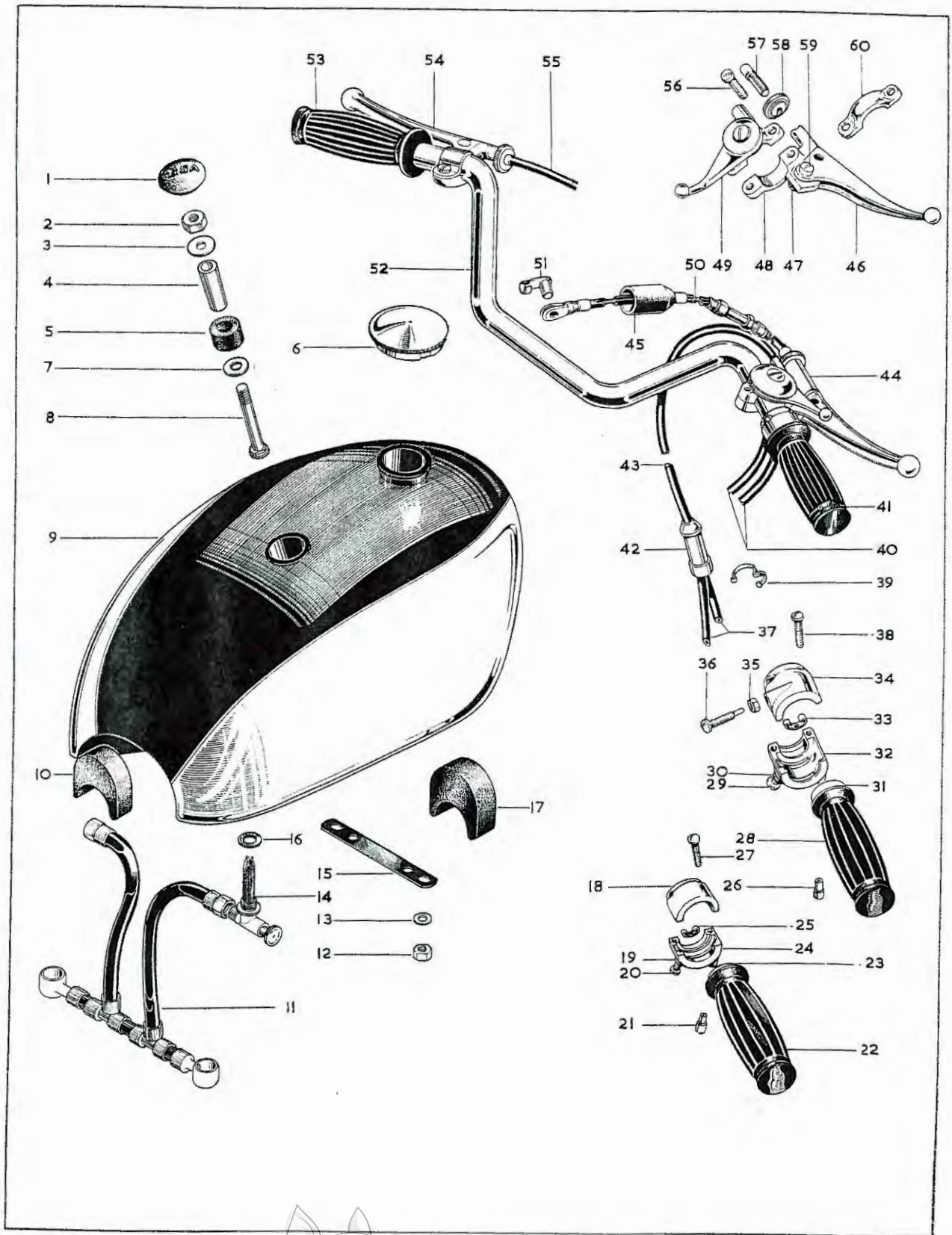




PETROL TANK, HANDLEBAR AND CONTROLS

| Model | Plate Ref. | Spares No. | | Description | Per Set |
|-------|------------|------------|------------|---|---------|
| | | B.S.A. No. | MAKERS NO. | | |
| F | 1. | 42-8010 | | Grommet, petrol tank.. .. . | 1 |
| F | 2. | 68-8014 | | Nut, tank mounting | 1 |
| F | 3. | 02-0923 | | Washer, tank mounting | 1 |
| F | 4. | 83-1659 | | Spacer, tank mounting | 1 |
| F | 5. | 42-8017 | | Mounting rubber | 1 |
| F | 6. | 75-8009 | | Domed filler cap | 1 |
| F | 7. | 82-9008 | | Lower washer, tank mounting | 1 |
| F | 8. | 68-8045 | | Bolt, tank mounting ($\frac{5}{16}$ " British Standard Cycle).. .. . | 1 |
| F | 9. | 82-9801 | | Petrol tank | 1 |
| F | 10. | 83-1658 | | Support rubber (rear) | 1 |
| F | 11. | 83-1662 | | Petrol pipe assembly | 1 |
| F | 12. | 75-6594 | | Nut, tank bracket | 2 |
| F | 13. | 02-0923 | | Washer, tank bracket | 2 |
| F | 14. | 83-1660 | | Petrol tap, drive-side | 1 |
| F | 14. | 83-1661 | | Petrol tap, timing-side | 1 |
| F | 15. | 41-9071 | | Petrol tank strap | 1 |
| F | 16. | 82-9204 | | Petrol tap washer | 2 |
| F | 17. | 68-8110 | | Support rubber (front) | 1 |
| T. R | 18. | | 16/328 | Twist grip body (top half) | 1 |
| T. R | 19. | | 16/010 | Locknut, friction spring screw | 1 |
| T. R | 20. | | 16/009 | Screw, friction spring | 1 |
| T. R | 21. | | 16/011 | Cable stop | 1 |
| T. R | 22. | 19-7222 | 16/365 | Twist grip rubber | 1 |
| T. R | 23. | | 16/091 | Rotor, twist grip | 1 |
| T. R | 24. | | 16/329 | Twist grip body (bottom half) | 1 |
| T. R | 25. | | 16/008 | Friction spring, twist grip | 1 |
| L, F | 26. | | 16/011 | Cable stop, twist grip | 2 |
| T. R | 27. | | 11/013 | Body screw, twist grip | 2 |
| L. F | 28. | 19-7222 | 16/365 | Twist grip rubber | 1 |
| L. F | 29. | | 210/007 | Screw, friction spring | 1 |
| L. F | 30. | | 5/077 | Locknut, friction spring screw | 1 |
| L. F | 31. | | 313/004 | Rotor, twist grip | 1 |
| L. F | 32. | | 313/021 | Twist grip body (bottom half) | 1 |
| L. F | 33. | | 16/008 | Friction spring, twist grip | 1 |
| L. F | 34. | | 313/020 | Twist grip body (top half) | 1 |
| L. F | 35. | | 5/077 | Locknut, rotor stop screw | 1 |
| L. F | 36. | | 210/008 | Rotor stop screw | 1 |
| L. F | 37. | 60-0826 | | Air control cable (short) | 2 |
| L. F | 38. | | 18/084 | Body screw, twist grip | 2 |
| L. F | 39. | 68-8570 | | Clip for junction box | 1 |



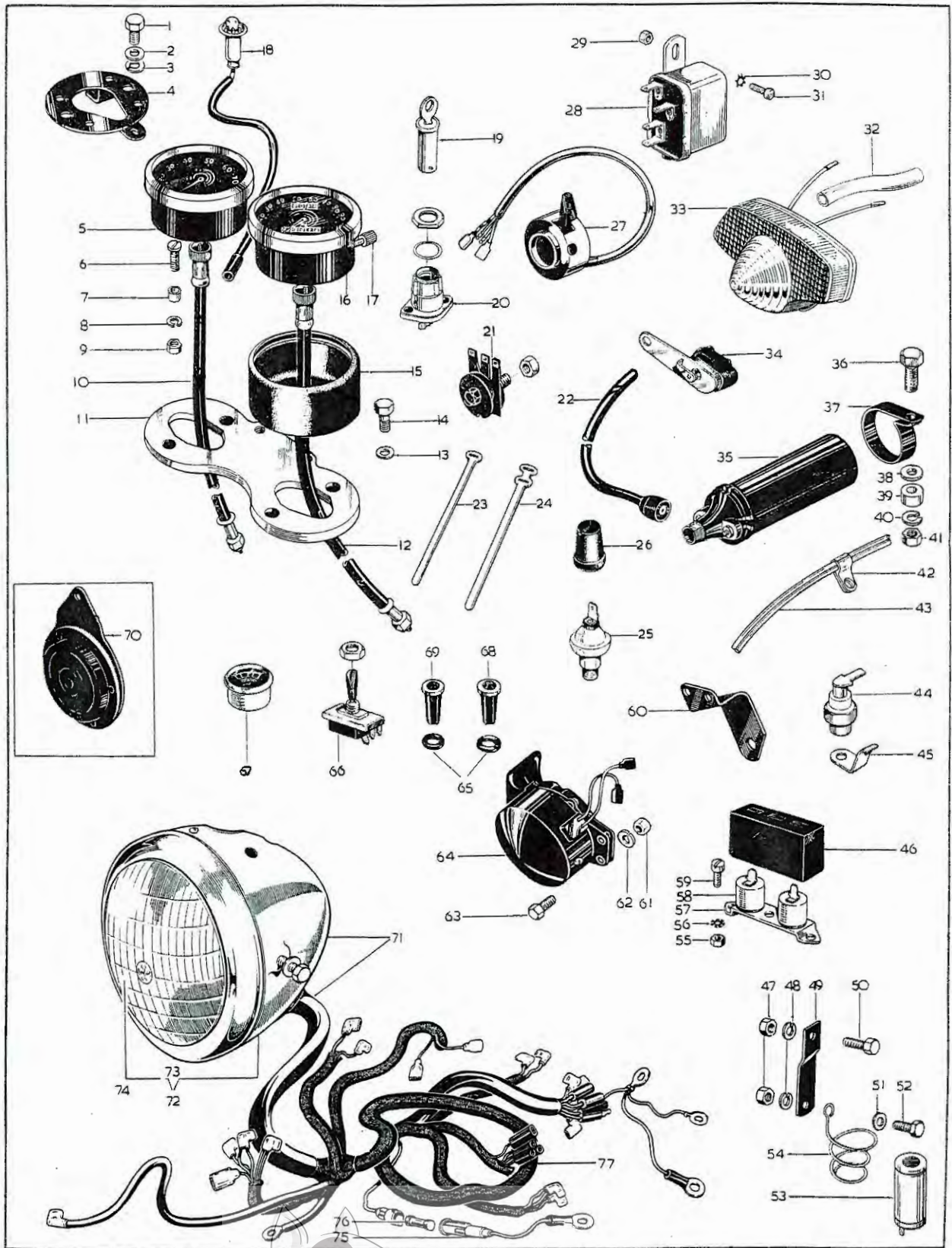


PETROL TANK, HANDLEBAR AND CONTROLS

| Model | Plate Ref. | Spares No. | | Description | Per Set |
|---------------|------------|------------|------------|--|---------|
| | | B.S.A. No. | MAKERS NO. | | |
| L. F | 40. | 60-0813 | | Throttle control cable | 2 |
| T | 40. | 60-0804 | | Throttle control cable | 1 |
| R | 40. | 60-0807 | | Throttle control cable | 1 |
| L. F | 41. | 19-7220 | 313/013 | Twist grip complete | 1 |
| T. R | 41. | 19-7223 | 16/364 | Twist grip complete | 1 |
| L. F | 42. | 68-8561 | | Junction box, air cable | 1 |
| L. F | 43. | 60-0823 | | Air control cable (long) | 1 |
| T | 43. | 60-0815 | | Air control cable | 1 |
| R | 43. | 60-0818 | | Air control cable | 1 |
| L. T. R, F | 44. | 60-2241 | 19/978M | Brake and air control complete | 1 |
| L. T. R, F | 45. | 60-2086 | | Stop switch cover, brake cable | 1 |
| L. T. R, F | 46. | | 18/754 | Front brake lever only | 1 |
| L. T. R, F | 46. | | 18/752 | Clutch control lever only | 1 |
| L. T. R, F | 47. | | 18/053 | Fulcrum pin nut, levers | 2 |
| L. T. R, F | 48. | | 19/001 | Brake lever bracket | 1 |
| L. T. R, F | 48. | | 19/002 | Clutch lever bracket | 1 |
| L. T. R, F | 49. | | 12/556 | Air control lever | 1 |
| L. T. R, F | | | 12/607 | Air control lever bolt | 1 |
| L. T. R, F | | | 12/606 | Air control lever cap | 1 |
| L. T. R, F | | | 12/033 | Air control spring washer | 1 |
| L. T. R, F | | | 12/619 | Air control body | 1 |
| L.T.F(U.S.A.) | 50. | 60-2076 | | Front brake cable | 1 |
| L. T. R | 50. | 60-2077 | | Front brake cable | 1 |
| L. T. R, F | 51. | 57-2006 | | Brake cable spring pin | 1 |
| L.T.F(U.S.A.) | 52. | 42-4968 | | Handlebar | 1 |
| L. T. R | 52. | 68-4971 | | Handlebar | 1 |
| L. T. R, F | 53. | 19-7221 | | Rubber grip (left-hand) | 1 |
| L. T. R, F | 54. | 60-2242 | 19/952M | Clutch control complete | 1 |
| L. T. R, F | 55. | 60-2456 | | Clutch control cable | 1 |
| L. T. R, F | 56. | | 11/014 | Screw, clutch lever clip | 2 |
| L. T. R, F | 56. | | 11/014 | Screw, brake lever clip | 1 |
| L. T. R, F | 56. | | 11/013 | Screw, brake lever clip | 1 |
| L. T. R, F | 57. | 60-2071 | 18/1708 | Cable adjuster ($\frac{3}{8}$ " Unified Fine) | 2 |
| L. T. R, F | 58. | 60-2072 | 18/1709 | Adjuster nut ($\frac{3}{8}$ " Unified Fine) | 2 |
| L. T. R, F | 59. | | 18/087 | Fulcrum pin, brake and clutch levers | 2 |
| L. T. R, F | 60. | | 12/595 | Body clip, clutch lever | 1 |

Note:—Where no B.S.A. part number is quoted, the part is only available from the makers.



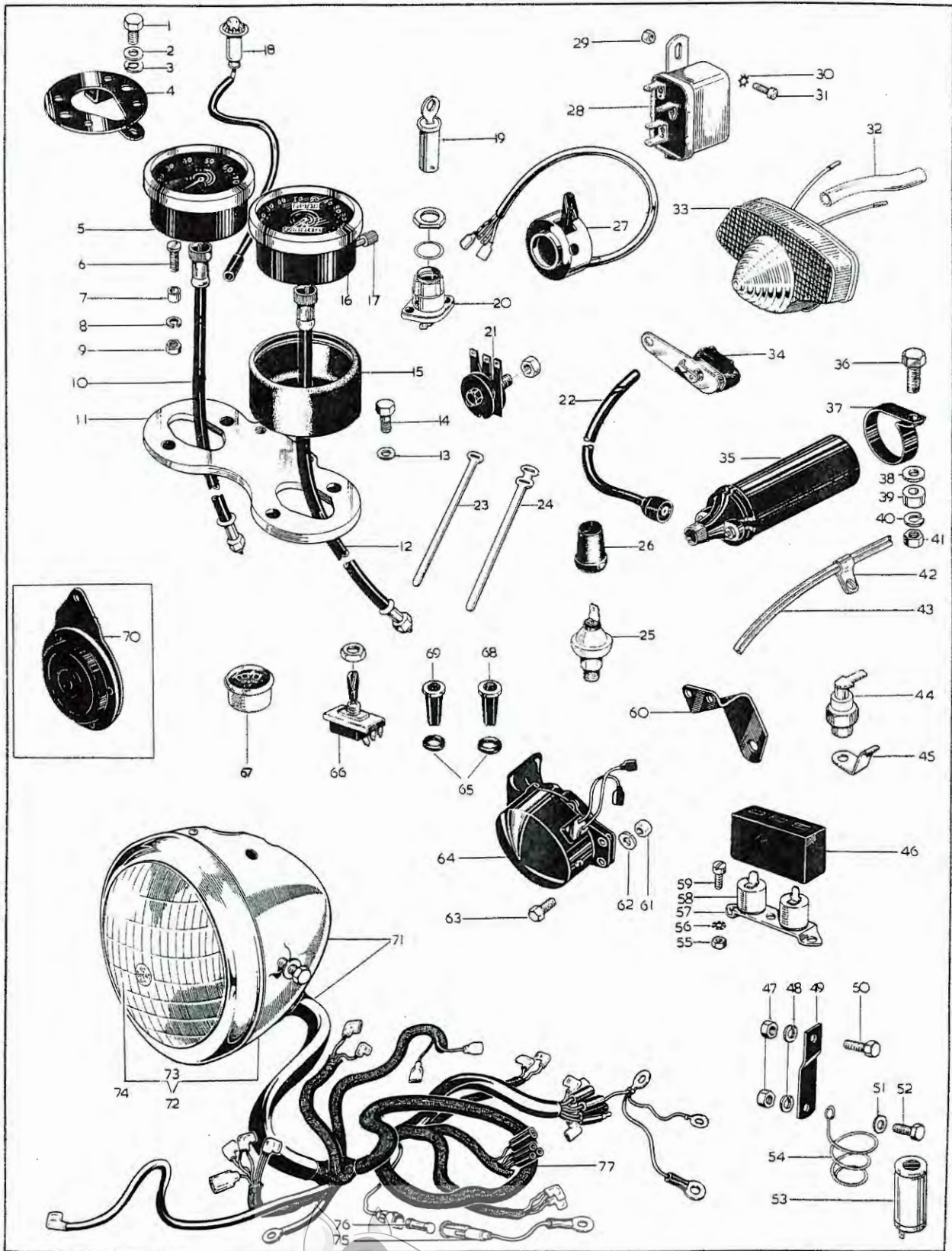


 **CLASSIC
BIKE SPARES**

ELECTRICAL EQUIPMENT

| Model | Plate Ref. | Spares No. | Description | Per Set |
|------------|------------|------------|--|---------|
| | | B.S.A. No. | MAKERS NO. | |
| T. R | 1. | 15-7354 | Bolt, speedometer mounting bracket | 2 |
| T. R | 2. | 02-0923 | Washer, speedometer mounting bracket | 2 |
| T. R | 3. | 24-8784 | Spring washer, speedometer mounting bracket | 2 |
| T. R | 4. | 82-8283 | Bracket, speedometer mounting | 1 |
| L. F | 5. | 19-2189 | RSM3003-06 Tachometer head | 1 |
| L, T, R, F | 6. | 76-0543 | Screw, speedometer and tachometer mounting | 8 or 4 |
| L, T, R, F | 7. | 68-9418 | Spacer, speedometer and tachometer mounting | 8 or 4 |
| L, T, R, F | 8. | 24-7068 | Spring washer, speedometer and tachometer mounting | 8 or 4 |
| L, T, R, F | 9. | 02-0047 | Nut, speedometer and tachometer mounting | 8 or 4 |
| L. F | 10. | 19-9076 | DF9110-00 Tachometer cable | 1 |
| L. F | 11. | 68-9148 | Bracket, speedometer and tachometer mounting | 1 |
| L, T, R, F | 12. | 19-9086 | DF9110-02 Speedometer cable (66") | 1 |
| L. F | 13. | 15-5155 | Washer, bracket to yoke | 2 |
| L. F | 14. | 68-5056 | Bolt, bracket to yoke | 2 |
| L, T, R, F | 15. | 83-0281 | Cup, speedometer and tachometer | 2 or 1 |
| L, T, R, F | 16. | 19-8936 | SSM5001-05 Speedometer head (m.p.h.) | 1 |
| L, T, R, F | 16. | 19-2183 | SSM5001-04 Speedometer head (k.p.h.) | 1 |
| L, T, R, F | 17. | 19-9080 | 41-148-203-10 Speedometer trip shaft | 1 |
| L. F | 18. | 19-1168 | 54953387 Speedometer light lead | 1 |
| T. R | 18. | 19-1166 | 54953389 Speedometer light lead | 1 |
| L, T, R, F | | | 554710 Bulb holder, speedometer and tachometer | 2 or 1 |
| L, T, R, F | | | 643 Bulb, speedometer and tachometer | 2 or 1 |
| L, T, R, F | 19. | 68-9304 | 1-6280 Lock and key, ignition switch | 1 |
| L, T, R, F | 20. | 19-1775 | 31899 Ignition switch complete | 1 |
| L, T, R, F | 21. | 19-1715 | 49072 Rectifier with nut | 1 |
| L, T, R, F | 22. | 19-1883 | 54956431 High-tension lead | 2 |
| (U.S.A.) | | | | |
| L, T, R | 22. | 19-1884 | 54956473 High-tension lead | 2 |
| L, T, R, F | 23. | 75-9045 | Cable clip | 4 |
| L, T, R, F | 24. | 76-9136 | Cable clip | 4 |
| L, T, R, F | 25. | 19-6508 | 5307/1/07 Oil pressure switch | 1 |
| L, T, R, F | 26. | 60-2045 | Oil pressure switch cover | 1 |
| L, T, R, F | 27. | 19-0214 | 16714 Dipper switch | 1 |
| L | 28. | 19-0953 | 33188 Horn relay | 1 |
| L | 29. | 21-5161 | Nut, relay mounting | 2 |
| L | 30. | 29-3319 | Lockwasher, relay mounting | 2 |
| L | 31. | 21-5359 | Screw, relay mounting | 1 |
| L, T, R, F | 32. | 82-8307 | Plastic sleeve, tail lamp lead | 1 |
| L, T, R, F | 33. | 19-1245 | 53973 Stop/tail lamp complete | 1 |



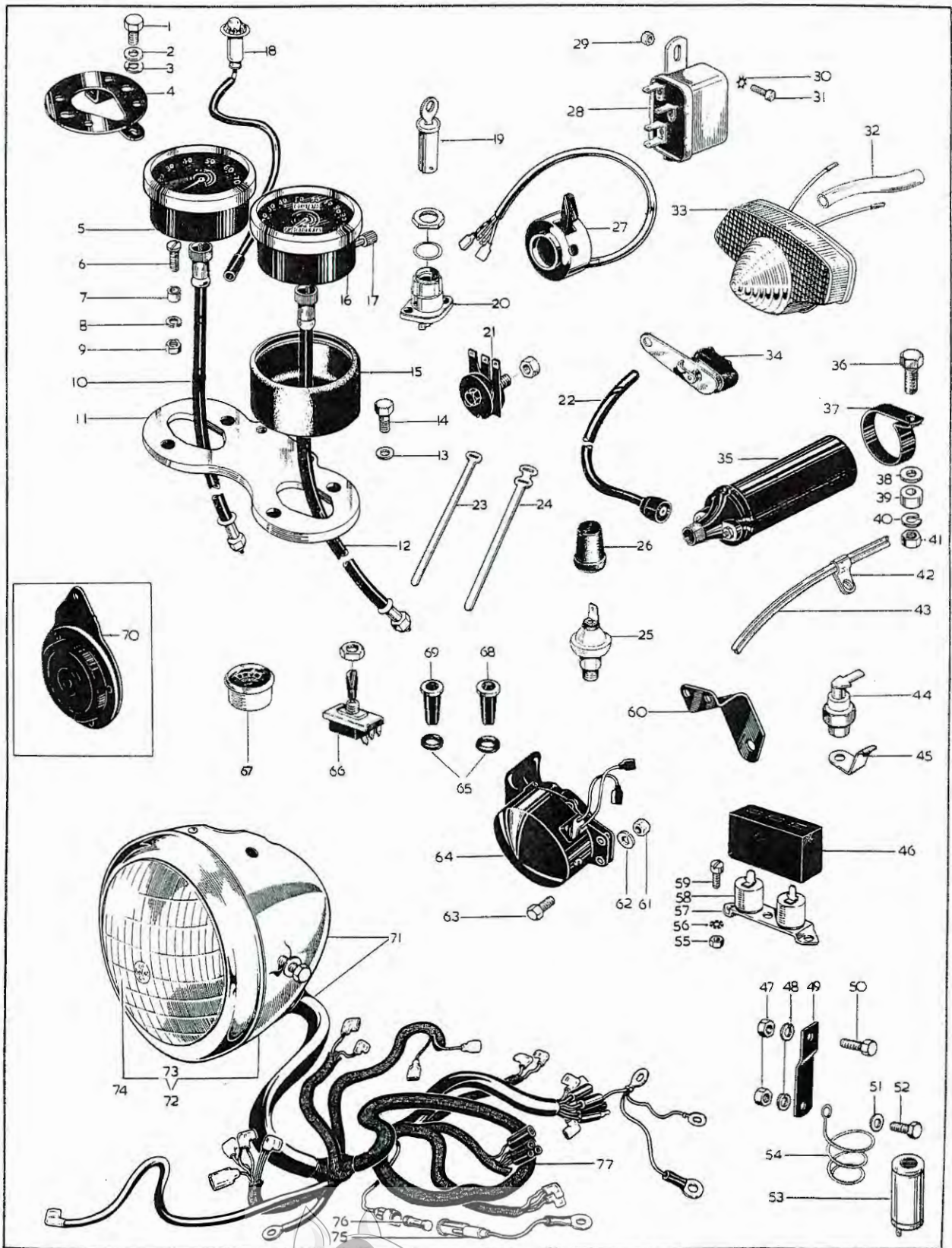


CLASSIC
BIKE SPARES

ELECTRICAL EQUIPMENT

| Model | Plate Ref. | Spares No. | | Description | Per Set |
|------------|------------|------------|------------|---|---------|
| | | B.S.A. No. | MAKERS NO. | | |
| | | | 54577109 | Lens, stop/tail lamp | 1 |
| | | | 144921 | Screw, lens fixing | 1 |
| | | | 54578213 | Bulb holder assembly | 1 |
| | | | 573828 | Interior, bulb holder | 1 |
| | | 19-1245 | 54578212 | Base assembly | 1 |
| | | | 54571677 | Gasket, lamp seating | 1 |
| | | | 110714 | Screw, lamp fixing | 1 |
| | | | 188330 | Washer, screw fixing | 1 |
| | | | 380 | Bulb | 1 |
| L. T, R, F | | 19-1845 | 54953386 | Tail lamp lead | 1 |
| L. T, R, F | 34. | 19-1125 | 34448 | Stop switch, rear brake | 1 |
| L. T, R, F | 35. | 19-1881 | 45223 | Ignition coil | 1 |
| L. T, R, F | 36. | 14-0207 | | Bolt, coil clip (1/4" Unified Fine x 2") | 1 |
| L. T, R, F | 37. | 83-1603 | | Coil clip | 2 |
| L. T, R, F | 38. | 97-2713 | | Washer, coil clip | 2 |
| L. T, R, F | 39. | 42-8098 | | Spacer, coil clip | 1 |
| L. T, R, F | 40. | 82-9020 | | Spring washer, coil clip | 1 |
| L. T, R, F | 41. | 14-0301 | | Nut, coil clip (1/4" Unified Fine) | 1 |
| L. T, R, F | 42. | 66-8340 | | Clip, battery vent pipe | 1 |
| L. T, R, F | 43. | 68-9163 | | Battery vent pipe | 1 |
| L. T, R, F | 44. | 19-1735 | 49345A | Zener diode | 1 |
| L. T, R, F | 45. | 68-9429 | | Diode retaining clip | 1 |
| L. T, R, F | 46. | 19-1848 | 54418528 | Rubber cover, condenser pack | 2 |
| L. T, R, F | 47. | 14-0301 | | Nut, capacitor and bracket mounting—to order only | 2 |
| L. T, R, F | 48. | 82-9020 | | Spring washer for nut, line 49—to order only | 1 |
| L. T, R, F | 49. | 82-8277 | | Capacitor bracket—to order only | 1 |
| L. T, R, F | 50. | 14-0103 | | Bolt, capacitor bracket (1/4" Unified Fine x 3/4")—to order only | 1 |
| L. T, R, F | 51. | 02-0525 | | Washer, capacitor mounting—to order only | 1 |
| L. T, R, F | 52. | 14-0102 | | Bolt, capacitor mounting (1/4" Unified Fine x 5/8")—to order only | 1 |
| L. T, R, F | 53. | 82-8319 | 54170009 | Capacitor—to order only | 1 |
| L. T, R, F | 54. | 82-8320 | 54483156 | Spring, capacitor mounting—to order only | 2 |
| L. T, R, F | 55. | 02-0047 | | Nut, condenser base plate mounting | 2 |
| L. T, R, F | 56. | 29-3319 | | Lockwasher for nut, line 57 | 1 |
| L. T, R, F | 57. | 19-1861 | | Base plate, condenser pack | 2 |
| L. T, R, F | 58. | 19-1847 | 54420128 | Condenser | 2 |
| L. T, R, F | 59. | 40-0236 | | Screw, condenser base plate | 1 |
| L | 60. | 83-1679 | | Horn bracket (right-hand) | 1 |
| J | 60. | 83-1680 | | Horn bracket (left-hand) | 1 |
| L | 61. | 14-0301 | | Nut, horn mounting (1/4" Unified Fine) | 4 |
| L | 62. | 82-9020 | | Spring washer, horn mounting | 4 |
| L | 63. | 14-0103 | | Bolt, horn mounting (1/4" Unified Fine x 1/4") | 4 |
| L | 64. | 19-2076 | SF725H | Horn (right-hand) | 1 |
| L | 64. | 19-2077 | SF725L | Horn (left-hand) | 1 |
| L, T, R, F | 65. | | 54140331 | Sealing ring, headlamp warning light | 2 |
| L, T, R, F | 66. | 19-0964 | 35710 | Light switch, headlamp | 1 |
| L, T, R, F | 67. | 19-0963 | 36403 | Ammeter, headlamp | 1 |



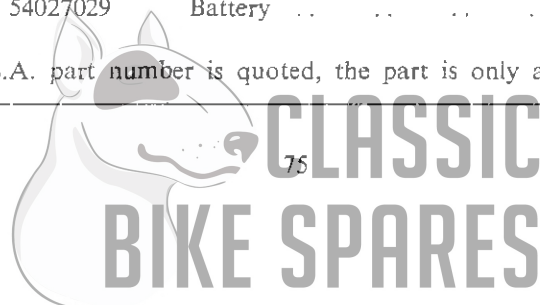


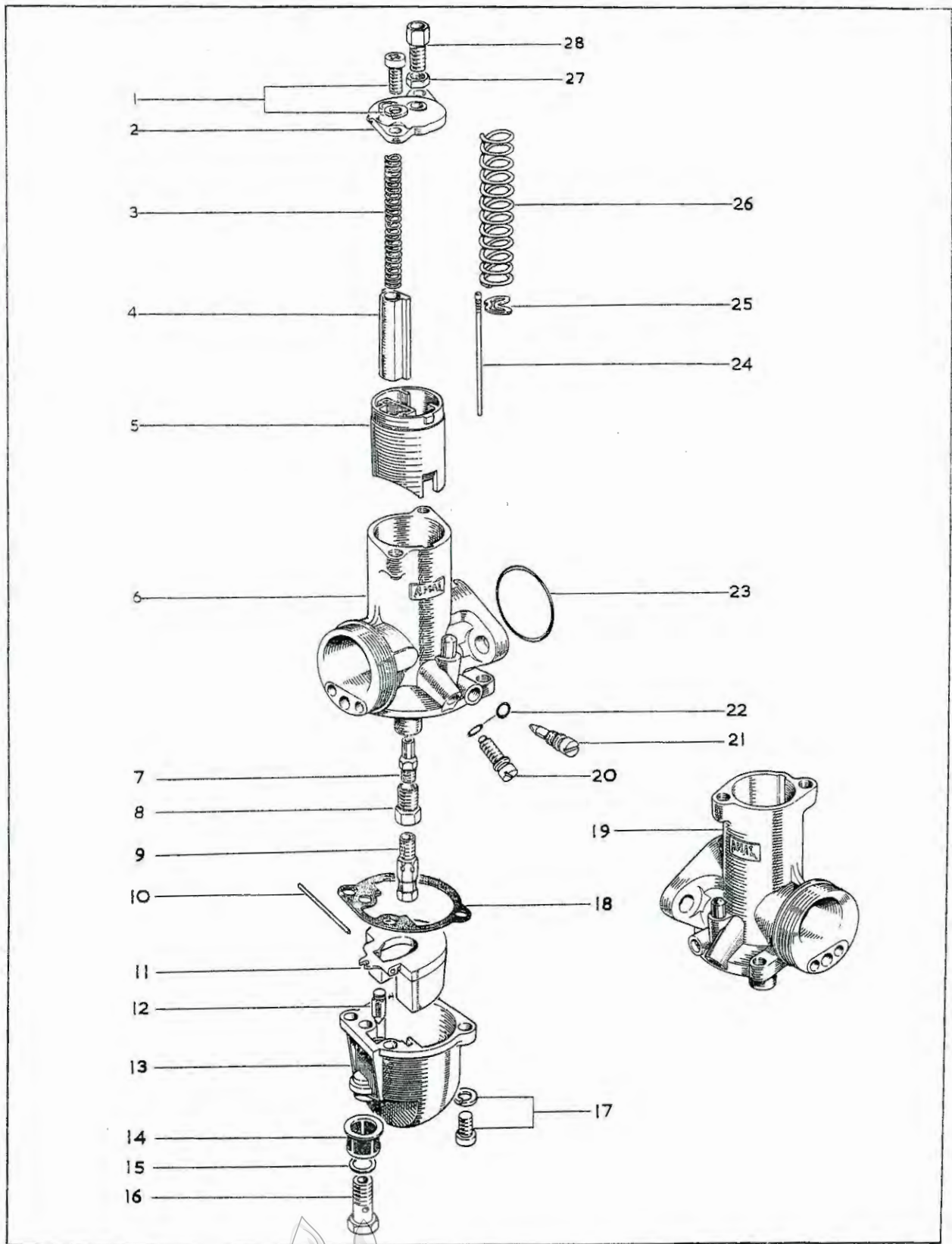
CLASSIC
BIKE SPARES

ELECTRICAL EQUIPMENT

| Model | Plate Ref. | Spares No. | Description | Per Set | |
|------------|------------|------------|-------------|--|---|
| | | B.S.A. No. | MAKERS NO. | | |
| L, T, R, F | 68. | 19-0965 | 38189 | Warning light, red, oil pressure | 1 |
| L, T, R, F | 69. | 19-0982 | 38191 | Warning light, green, main beam | 1 |
| F, T, R | 70. | 19-2064 | HF80 | Horn | 1 |
| L, T, R | 71. | 19-1309 | 54052889E | Headlamp with harness (standard) | 1 |
| L, T, R | 71. | 19-1311 | 54052890E | Headlamp with harness (Europe) | 1 |
| L, T, R | 71. | 19-1310 | 54052891E | Headlamp with harness (France) | 1 |
| F | 71. | 19-1195 | 54052907 | Headlamp with harness (standard) | 1 |
| F | 71. | 19-1196 | 54052908 | Headlamp with harness (Europe) | 1 |
| F | 71. | 19-1197 | 54052909 | Headlamp with harness (France) | 1 |
| F | 72. | 19-1320 | 59965 | Headlamp only (standard) | 1 |
| F | 72. | 19-1321 | 59966 | Headlamp only (Europe), with 410 bulb | 1 |
| F | 72. | 19-1322 | 59966 | Headlamp only (France), with 411 bulb | 1 |
| L, T, R | 72. | 19-1173 | 59969 | Headlamp only (standard) | 1 |
| L, T, R | 72. | 19-1184 | 59970 | Headlamp only (Europe), with 410 bulb | 1 |
| L, T, R | 72. | 19-1186 | 59970 | Headlamp only (France), with 411 bulb | 1 |
| L, T, R | 73. | 19-0701 | 553248 | Headlamp rim | 1 |
| F | 73. | 19-0610 | 534343 | Headlamp rim | 1 |
| L, T, R | 74. | 19-0958 | 516798 | Headlamp light unit (standard) | 1 |
| F | 74. | 19-0738 | 54524526 | Headlamp light unit (standard) | 1 |
| L, T, R | 74. | 19-0959 | 54522680 | Headlamp light unit (France and Europe) | 1 |
| L, T, R | 74. | 19-1043 | 516801 | Headlamp light unit (West Germany and Italy) | 1 |
| L, T, R, F | | | 504665 | Wire fixing clip | 6 |
| L, T, R, F | | | 144921 | Rim fixing screw | 1 |
| L, T, R, F | | | 534296 | Rim fixing plate | 1 |
| L, T, R, F | | | 281 | Warning light bulb | 2 |
| L, T, R, F | | | 54945043 | Bulb holder, warning light | 2 |
| L, T, R, F | | | 554602 | Main bulb holder (standard) | 1 |
| L, T, R, F | | | 555910 | Sleeve, terminal (standard) | 1 |
| L, T, R, F | | | 54573590 | Pilot bulb holder | 1 |
| L, T, R, F | | | 553780 | Interior, pilot bulb holder | 1 |
| L, T, R, F | | | 554354 | Ring, seating pilot bulb holder | 1 |
| L, T, R, F | | | 446 | Main bulb (standard) | 1 |
| L, T, R, F | | | 989 | Pilot bulb | 1 |
| L, T, R, F | | | 850641 | Double connector | 1 |
| L, T, R, F | | | 112201 | Screw, fixing lamp | 2 |
| L, T, R, F | | | 137498 | Washer, lamp fixing screw | 2 |
| L, T, R | | | 556442 | Spring retaining main bulb (France and Europe) | 1 |
| L, T, R | | | 553738 | Adaptor, main bulb (France and Europe) | 1 |
| L, T, R | | | 900288 | Single connector (France and Europe) | 1 |
| L, T, R | | | 410 | Main bulb (Europe) | 1 |
| L, T, R | | | 411 | Main bulb (France) | 1 |
| L, T, R | | 19-1044 | 370 | Main bulb (West Germany and Italy) | 1 |
| L, T, R, F | 75. | 19-1249 | 1888218 | Fuse, 35 amp. | 1 |
| L, T, R, F | 76. | 19-0969 | 54190387 | Fuse holder | 1 |
| L, T, R | 77. | 19-1312 | 54955258 | Main harness | 1 |
| F | 77. | 19-1324 | 54955720 | Main harness | 1 |
| L, T, R, F | | 19-1776 | 54027029 | Battery | 1 |

Note:—Where no B.S.A. part number is quoted, the part is only available from the makers.



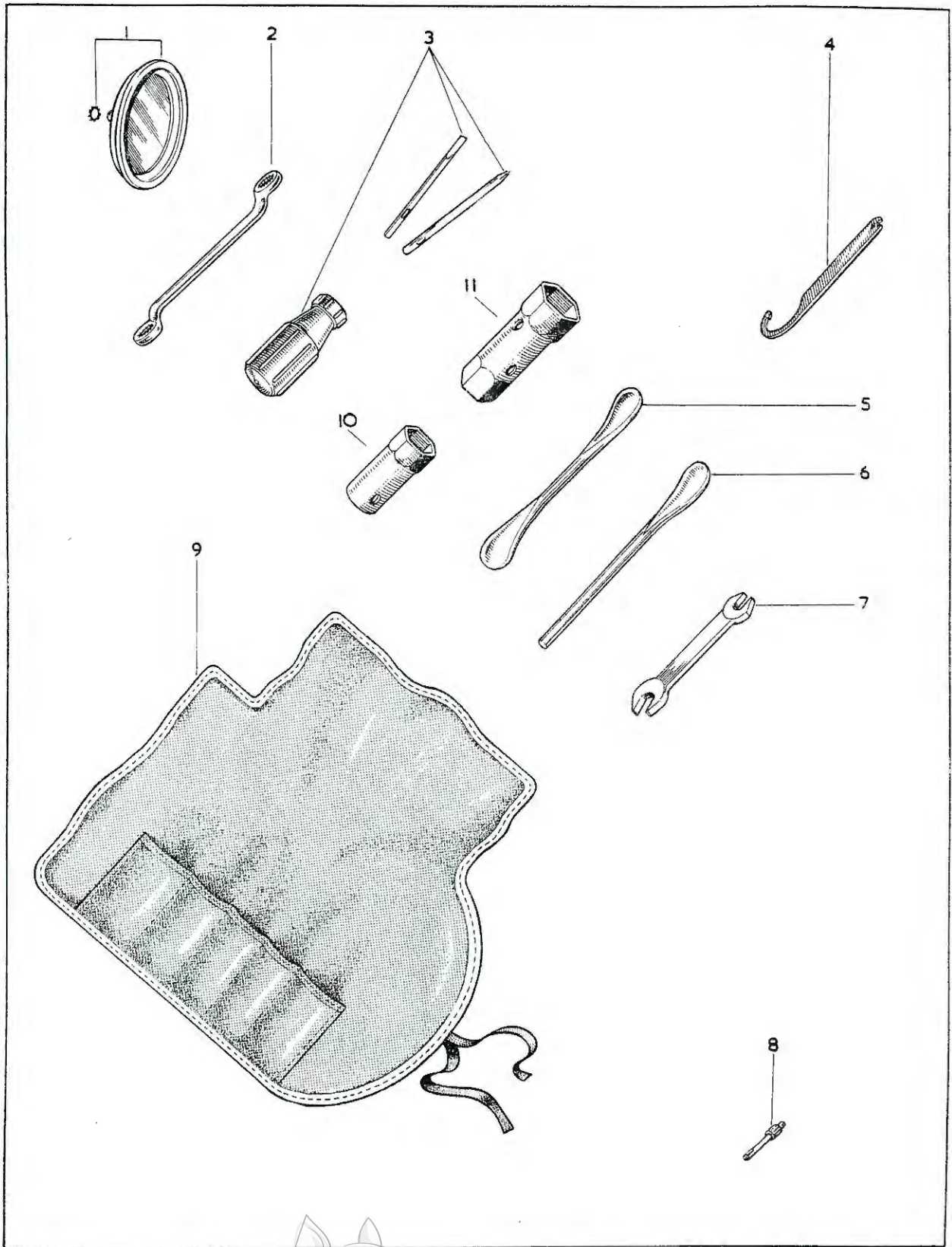


CARBURETTER

| Model | Plate Ref. | Spares No. | | Description | Per Set |
|------------|------------|------------|----------|---|---------|
| | | B.S.A. No. | AMAL No. | | |
| L. T. R. F | 1. | 19-3093 | 622/086 | Screw and washer for end cap | 4 or 2 |
| L. F | 2. | | 928/064 | Mixing chamber top cap | 2 |
| T | 2. | | 928/098 | Mixing chamber top cap | 1 |
| R | 2. | | 622/098 | Mixing chamber top cap | 1 |
| L. T. R. F | 3. | | 622/129 | Air valve spring | 2 or 1 |
| L. T. F | 4. | 19-3109 | 928/062 | Air valve | 2 or 1 |
| R | 4. | 19-3091 | 622/062 | Air valve | 1 |
| L. F | 5. | 19-3108 | 928/060 | Throttle valve size 3 | 2 |
| T | 5. | 19-3127 | 928/060 | Throttle valve, size 3½ | 1 |
| R | 5. | 19-3129 | 622/060 | Throttle valve, size 3½ | 1 |
| L. F | 6. | | R930/005 | Body (right-hand) | 1 |
| T | 6. | | R928/005 | Body | 1 |
| R | 6. | | R626/005 | Body | 1 |
| L. T. R. F | 7. | 19-3136 | 622/122 | Needle jet, size .106" | 2 or 1 |
| L. T. R. F | 8. | | 622/128 | Jet holder | 2 or 1 |
| L. F | 9. | 19-2878 | 376/100 | Main jet, size 180 c.c. | 2 |
| R | 9. | 19-2880 | 376/100 | Main jet, size 200 c.c. | 1 |
| T | 9. | 19-2883 | 376/100 | Main jet, size 230 c.c. | 1 |
| L. T. R. F | 10. | 19-3116 | 622/071 | Float spindle | 2 or 1 |
| L. T. R. F | 11. | 19-3102 | 622/069 | Float | 2 or 1 |
| L. T. R. F | 12. | 19-3105 | 622/068 | Float needle | 2 or 1 |
| L. T. R. F | 13. | 19-3132 | 622/050 | Float chamber | 2 or 1 |
| L. T. R. F | 14. | 19-3048 | 376/093 | Petrol pipe filter | 2 or 1 |
| T, R | 15. | 19-2834 | 13/163 | Banjo bolt washer | 1 |
| L. T. R. F | 16. | 19-3103 | 622/078 | Banjo bolt | 2 or 1 |
| L. T. R. F | 17. | 19-3093 | 622/086 | Screw and washer, float chamber | 4 or 2 |
| L. T. R. F | 18. | 19-3106 | 622/073 | Float chamber gasket | 2 or 1 |
| L. F | 19. | | L930/005 | Body (left-hand) | 1 |
| L. T. R. F | 20. | | 622/077 | Throttle stop screw | 2 or 1 |
| L. T. R. F | 21. | | 622/076 | Pilot air screw | 2 or 1 |
| L. T. R. F | 22. | 19-3098 | 622/082 | "O" ring, throttle and air screws | 4 or 2 |
| L. T. R. F | 23. | 19-3090 | 622/101 | "O" ring, carburetter flange | 2 or 1 |
| L. T. R. F | 24. | 19-3137 | 622/124 | Throttle needle | 2 or 1 |
| L. T. R. F | 25. | 19-3095 | 622/067 | Clip, throttle needle | 2 or 1 |
| L. T. R. F | 26. | 19-3141 | 622/131 | Throttle spring | 2 or 1 |
| L. F | 27. | | 5/077 | Locknut, cable adjuster | 2 |
| L. F | 28. | | 4/035 | Cable adjuster | 2 |
| L. T. F | | | 928/103 | Air valve spring guide (<i>not illustrated</i>) | 2 or 1 |
| R | | | 622/134 | Air valve spring guide (<i>not illustrated</i>) | 1 |

Note:—Where no B.S.A. part number is quoted, the part is only available from the makers.



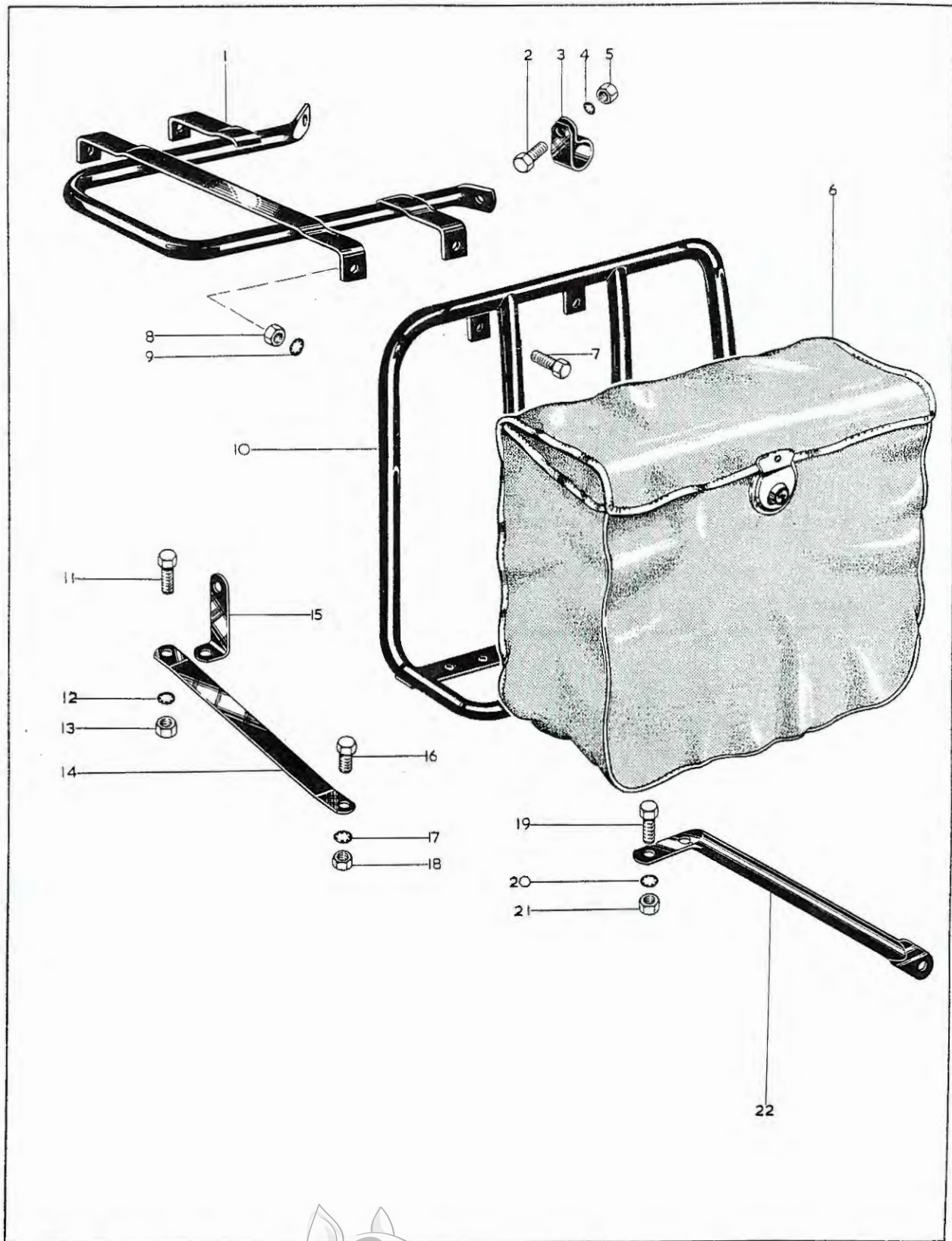


TOOLKIT

| <i>Model</i> | <i>Plate Ref.</i> | <i>Spares No.</i> | <i>Description</i> | <i>Per Set</i> |
|--------------|-------------------|-------------------|--|----------------|
| L, T, R | 1. | 19-5390* | Licence holder | 1 |
| L, T, R, F | 2. | 67-9026 | Ring spanner | 1 |
| L, T, R, F | 3. | 60-0767 | Screwdriver set | 1 |
| L, T, R, F | 4. | 68-9462 | Rear damper and chain adjuster spanner | 1 |
| L, T, R, F | 5. | 29-9252 | Tyre lever | 1 |
| L, T, R, F | 6. | 60-0801 | Tyre lever/tommybar | 1 |
| L, T, R, F | 7. | 60-2084 | Double-open-ended spanner | 1 |
| L, T, R, F | 8. | 68-9467 | Tyre valve key | 1 |
| L, T, R, F | 9. | 68-9461 | Tool roll | 1 |
| L, T, R, F | 10. | 68-9464 | Spark plug spanner | 1 |
| L, T, R, F | 11. | 40-9017 | Double-ended box spanner | 1 |
| L, T, R, F | | 60-2112 | Toolkit complete | 1 |

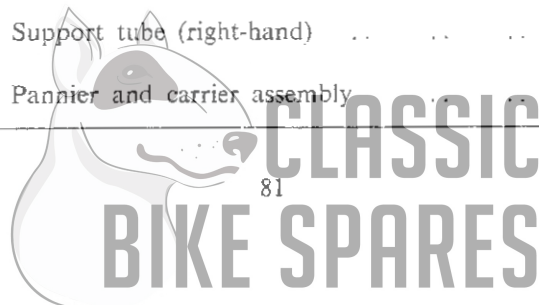
*Except U.S.A. models.

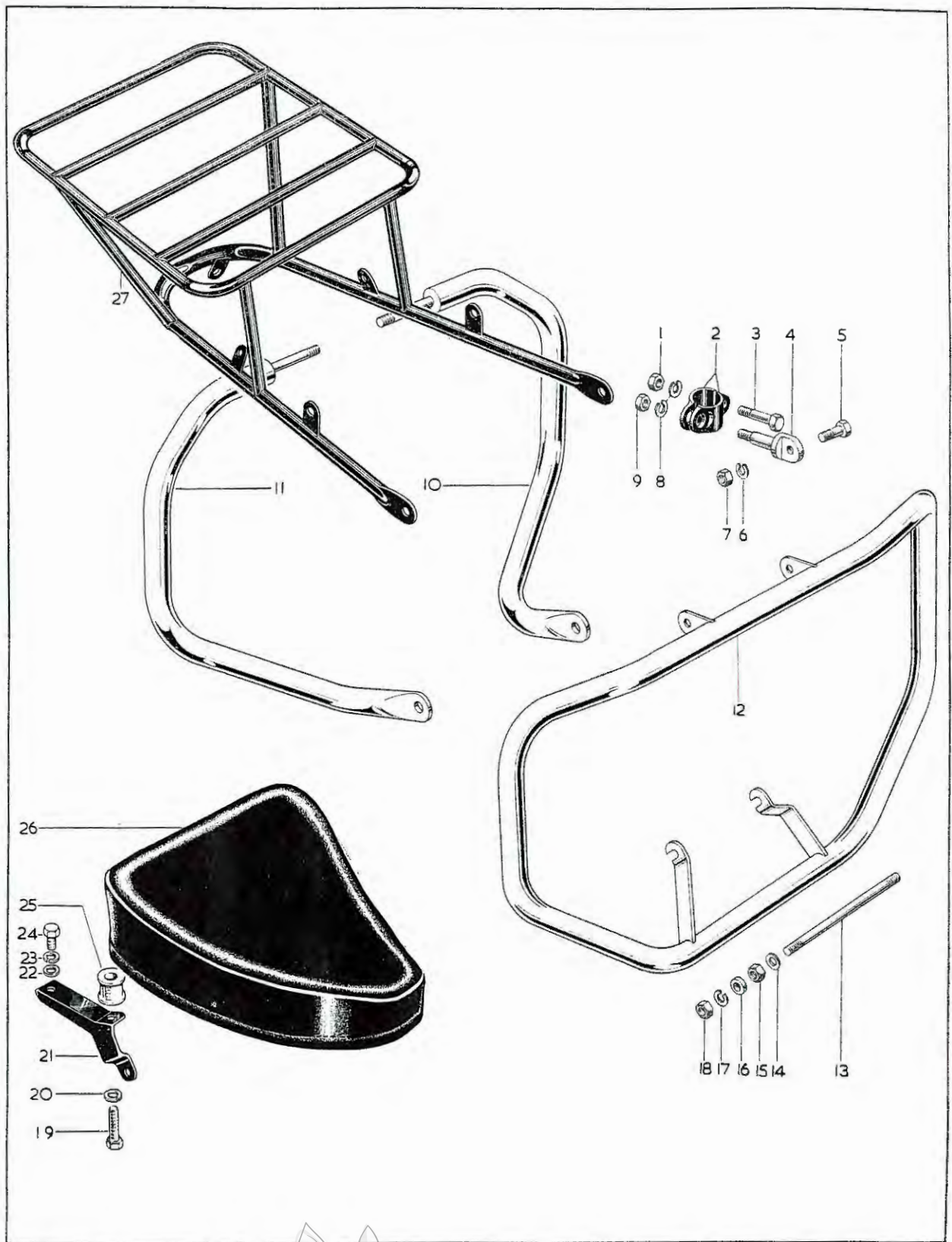




REAR CARRIER WITH PANNIERS
(TO ORDER ONLY)

| <i>Model</i> | <i>Plate Ref.</i> | <i>Spares No.</i> | <i>Description</i> | <i>Per Set</i> |
|--------------|-------------------|-------------------|---|----------------|
| 1. | 68-6881 | | Rear carrier for panniers | 1 |
| 2. | 14-0114 | | Bolt, carrier clip ($\frac{5}{16}$ " Unified Fine \times $\frac{3}{4}$ ") | 2 |
| 3. | 24-8928 | | Carrier clip | 2 |
| 4. | 36-0382 | | Lockwasher for nut, line 5 ($\frac{5}{16}$ ") | 2 |
| 5. | 14-0302 | | Nut, carrier clip bolt ($\frac{5}{16}$ " Unified Fine) | 2 |
| 6. | 76-9175 | | Pannier bag | 2 |
| 7. | | | Bolt, frame to carrier ($\frac{5}{16}$ " Unified Fine \times $\frac{5}{8}$ ") | 4 |
| 8. | 14-0302 | | Nut, frame to carrier ($\frac{5}{16}$ " Unified Fine) | 4 |
| 9. | 36-0382 | | Lockwasher for nut, line 8 ($\frac{5}{16}$ ") | 4 |
| 10. | 68-6913 | | Pannier frame (left-hand) | 1 |
| 10. | 68-6914 | | Pannier frame (right-hand) | 1 |
| 11. | 14-0102 | | Bolt, link to bracket ($\frac{1}{4}$ " Unified Fine \times $\frac{5}{8}$ ") | 1 |
| 12. | 29-0541 | | Lockwasher for nut, line 13 ($\frac{1}{4}$ ") | 1 |
| 13. | 14-0301 | | Nut, link to bracket ($\frac{1}{4}$ " Unified Fine) | 1 |
| 14. | 68-6885 | | Pannier frame link | 1 |
| 15. | 90-6996 | | Bracket, link to guard | 1 |
| 16. | 14-0101 | | Bolt, link to frame ($\frac{1}{4}$ " Unified Fine \times $\frac{1}{2}$ ") | 2 |
| 17. | 29-0541 | | Lockwasher for nut, line 18 ($\frac{1}{4}$ ") | 2 |
| 18. | 14-0301 | | Nut, link to frame ($\frac{1}{4}$ " Unified Fine) | 2 |
| 19. | 14-0102 | | Bolt, support tube to frame ($\frac{1}{4}$ " Unified Fine \times $\frac{5}{8}$ ") | 4 |
| 20. | 29-0541 | | Lockwasher for nut, line 21 ($\frac{1}{4}$ ") | 4 |
| 21. | 14-0301 | | Nut, support tube to frame ($\frac{1}{4}$ " Unified Fine) | 4 |
| 22. | 68-6919 | | Support tube (left-hand) | 1 |
| 22. | 68-6920 | | Support tube (right-hand) | 1 |
| | 68-6880 | | Pannier and carrier assembly | 1 |





REAR CARRIER, SHORT SEAT, SAFETY BARS
(TO ORDER ONLY)

| Model | Plate Ref. | Spares No. | Description | Per Set |
|-------|------------|------------|---|---------|
| | 1. | 14-0303 | Nut for bolt, line 3 ($\frac{3}{8}$ " Unified Fine) | 2 |
| | 2. | 42-4906 | Split lamp, front safety bar | 2 |
| | 3. | 14-0234 | Bolt, split clamp ($\frac{3}{8}$ " Unified Fine $\times 1\frac{3}{4}$ ") | 2 |
| | 4. | 42-4904 | Eye bolt, split clamp ($\frac{3}{8}$ " British Standard Cycle) | 2 |
| | 5. | 14-0128 | Bolt, safety bar to eye bolt ($\frac{3}{8}$ " Unified Fine $\times 1$ ") | 2 |
| | 6. | 02-2903 | Spring washer for nut, line 7 | 2 |
| | 7. | 14-0303 | Nut for bolt, line 5 ($\frac{3}{8}$ " Unified Fine) | 2 |
| | 8. | 02-2903 | Spring washer for nut, lines 1 and 9 | 2 |
| | 9. | 02-0046 | Nut for eye bolt, line 4 ($\frac{3}{8}$ " British Standard Cycle) | 2 |
| | 10. | 68-4936 | Rear safety bar (left-hand) | 1 |
| | 11. | 68-4937 | Rear safety bar (right-hand) | 1 |
| | 12. | 68-4900 | Front safety bar | 1 |
| | 13. | 68-4905 | Front engine mounting stud ($\frac{7}{16}$ " British Standard Cycle) | 1 |
| | 14. | 15-0431 | Washer, engine stud ($\frac{7}{16}$ " $\times \frac{3}{4}$ " $\times \frac{1}{16}$ ") | 2 |
| | 15. | 27-8059 | Nut, engine stud ($\frac{7}{16}$ " British Standard Cycle) | 2 |
| | 16. | 68-4906 | Spacer, engine stud | 2 |
| | 17. | 02-1967 | Spring washer, engine stud ($\frac{7}{16}$ ") | 2 |
| | 18. | 27-8059 | Nut, engine stud ($\frac{7}{16}$ " British Standard Cycle) | 2 |
| | 19. | 15-1355 | Bolt, rear bracket to seat ($\frac{5}{16}$ " British Standard Cycle $\times 1\frac{1}{2}$ ") | 2 |
| | 20. | 24-8784 | Spring washer for bolt, line 19 ($\frac{5}{16}$ ") | 2 |
| | 21. | 68-9512 | Rear bracket, left-hand, short seat | 1 |
| | 21. | 68-9513 | Rear bracket, right-hand, short seat | 1 |
| | 22. | 02-0923 | Washer for bolt, line 24 ($\frac{5}{16}$ " $\times \frac{5}{8}$ " $\times \frac{1}{16}$ ") | 4 |
| | 23. | 24-8784 | Spring washer for bolt, line 24 ($\frac{5}{16}$ ") | 2 |
| | 24. | 28-2338 | Bolt, rear bracket to guard ($\frac{5}{16}$ " British Standard Cycle $\times 2\frac{3}{32}$ ") | 2 |
| | 25. | 42-6763 | Spacer, short seat | 2 |
| | 26. | 83-1684 | Short seat | 1 |
| | 27. | 68-6884 | Rear carrier, short seat | 1 |
| | 27. | 68-6875 | Rear carrier, twin seat | 1 |
| | | 68-4907 | Front safety bar assembly | 1 |
| | | 68-4939 | Rear safety bar assembly | 1 |

