

REPLACEMENT PARTS CATALOGUE

FOR

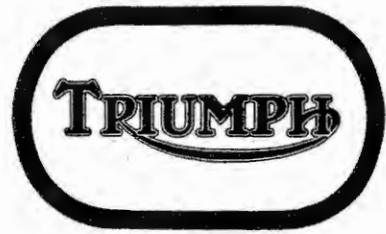
1972 MODELS 40_{CU.IN.} [650_{C.C.}]

BONNEVILLE T120R, T120RV
TIGER 650 TR 6R, TR 6RV
TROPHY 650 TR 6C, TR 6CV

U.S.A. EDITION



CLASSIC
BIKE SPARES



REPLACEMENT PARTS CATALOGUE

FOR 1972

**BONNEVILLE T120R, T120RV
TIGER 650 TR6R, TR6RV
TROPHY 650 TR6C, TR6CV**

TRIUMPH ENGINEERING COMPANY LIMITED
MERIDEN WORKS · ALLESLEY · COVENTRY CV5 9AU · ENGLAND
TELEPHONE COVENTRY 20221
MERIDEN 331

TELEGRAMS "TRUSTY" COVENTRY
TELEX "TRUSTY" 31305

PUBLISHED AUGUST 1971
FIRST AMENDMENT NOVEMBER 1971

PUBLICATION PART No. 99-0953



INTRODUCTION

The Triumph Engineering Co. Ltd. point out that the information in this catalog was complete and correct at the time of printing. Distributors will be informed of any subsequent alterations.

A plastic binder, of the type used for Workshop Manuals, is available to enable this catalog and all other 1971 season catalogs to be bound into one unit.

GUARANTEE

Please refer to your dealer or distributor for the latest terms of guarantee.

Eastern U.S.A. Distributor:

Triumph Motorcycle Corporation,
P.O. Box 6790,
Towson,
Baltimore 4,
Maryland 21204.

Telex—Tricor Balt. 87728
Telephone—301-252-1700

Western U.S.A. Distributor:

Triumph Motorcycle Corporation,
P.O. Box 2765,
East Huntington Drive,
Duarte,
California 91010.

Telex—Tricor Duarte 675469
Telephone—213-359-3221
213-681-0255

ENGINE AND FRAME NUMBERS

The engine number is located on the left side of the engine, immediately below the cylinder barrel to crankcase flange.

The frame number is located on the left side of the frame headlug, beneath the fork top lug and forward of the gasoline tank.

Both the engine and frame number should be quoted in full in any correspondence relating to the machine.



INDEX

	Page		Page
AIR CLEANER	77	KICKSTARTER	47
ALTERNATOR	11, 51	MANIFOLD	17
AUTO-ADVANCE UNIT	39	MOTOR PLATES	57
BATTERY CARRIER	93	MOTOR TORQUE STAY	57
BRAKE SWITCH	57	MUFFLERS	59, 61, 63
BREATHER PIPES	53	OIL PUMP	17
CAMSHAFT, INLET AND EXHAUST	11	OIL PIPES	53
CARBURETOR	35, 37	OIL PRESSURE RELEASE VALVE	17
CARTON PACKS	7	PISTONS	11
CENTRE STAND	53	PROP STAND	53
CHAINS	51	PUSH RODS ... 19, 21, 23, 25, 27, 29, 31, 33	
CHAINCASE	51	REAR WHEEL	73
CLUTCH	49	RECTIFIER	89
CLUTCH LEVER ASSEMBLY	47	ROCKERS ... 19, 21, 23, 25, 27, 29, 31, 33	
COIL	89	SIDE PANEL	77
CONDENSER PACK	89	SPARK PLUG	89
CONNECTING RODS	11	SPEEDOMETER	87
CONTACT BREAKER	39	SPEEDOMETER GEARBOX	73
CONTROL CABLES	83	STEERING DAMPER	69
CONTROL LEVERS	81	SUSPENSION UNITS	55
CRANKCASE	13, 15	SWINGING FORK	55
CRANKCASE UNDERSHIELD	63	SWITCHES	81, 91
CRANKSHAFT	11	TABLE OF STANDARD HARDWARE	94, 95
CYLINDERS ... 19, 21, 23, 25, 27, 29, 31, 33		TACHOMETER	87
CYLINDER HEAD 19, 21, 23, 25, 27, 29, 31, 33		TACHOMETER GEARBOX	87
EXHAUST PIPES	59, 61, 63	TAIL LAMP	79
FENDERS	79	TAPPETS	17
FIVE SPEED GEARBOX	45	TIMING GEARS	11
FLASHERS	89, 91	TOOLKIT	85
FOOTRESTS	57, 63	TWIN SEAT	75
FRAME	53	VALVES	19, 21, 23, 25, 27, 29, 31, 33
FRONT FORKS	65, 67	VALVE GUIDES 19, 21, 23, 25, 27, 29, 31, 33	
FRONT WHEEL	71	WIRING HARNESS	91
GAS TANK	75	ZENER DIODE	89
GEARBOX	41, 43, 45, 47		
HANDLEBAR	81		
HANDLEBAR MOUNTINGS	69		
HEADLAMP	91, 93		
HORN	89		

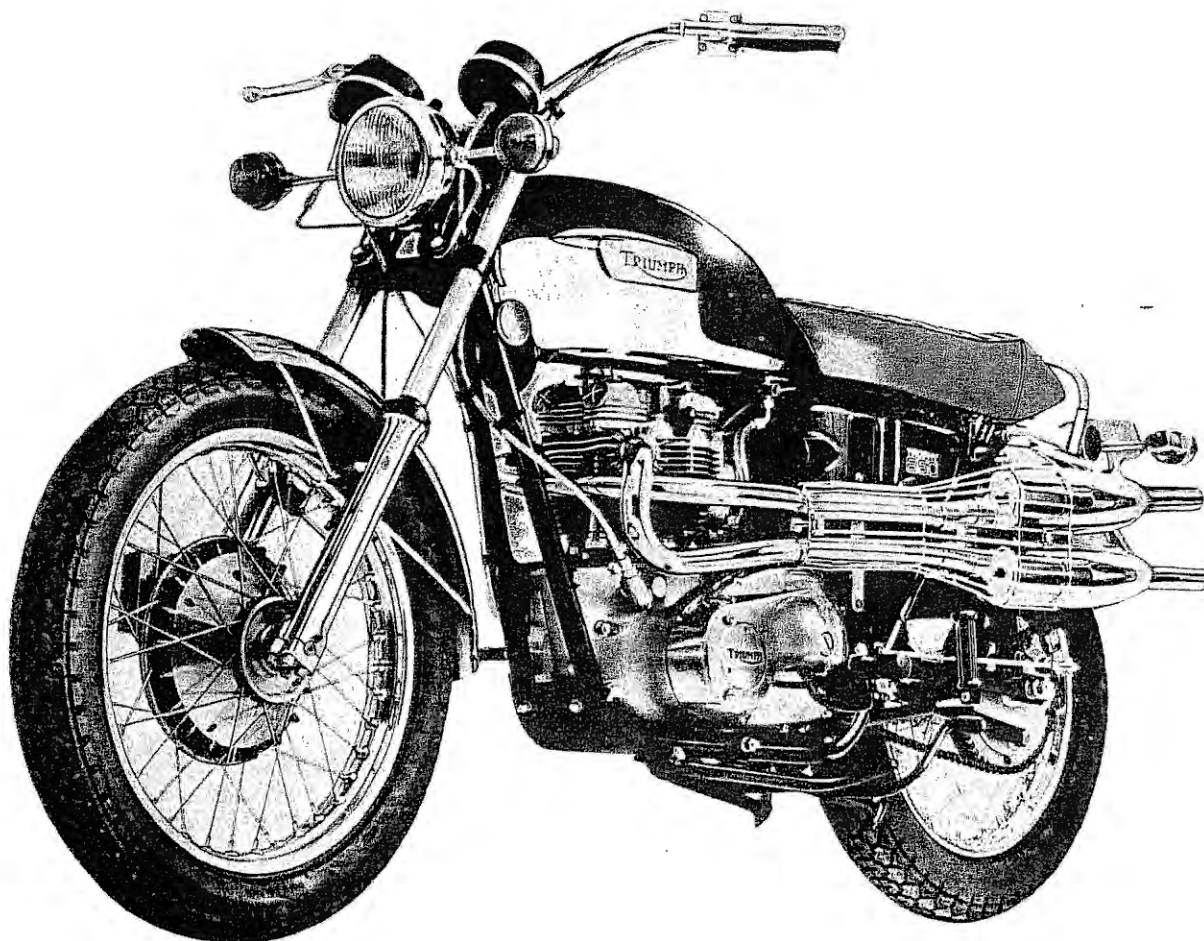




TIGER 650 (TR6R) (TR6RV - 5 SPEED) TECHNICAL DATA

Bore and Stroke	71 × 82 mm.
	2.79 × 3.23 ins.
Capacity	649 c.c. (40 cu. ins.)
Compression ratio	9 : 1
Spark plugs	Champion N3
Carburetor	Amal Concentric 930
	Main jet 230
	Needle jet -106
	Throttle valve No. 3½
Gearbox sprocket	19 teeth
Chains	Front ¾" Duplex × 84 links
	Rear ¾" × ¾" × 106 links
Capacities	Gas Tank 3.6 U.S. galls.
	Oil Tank 4.8 U.S. pints.
	Gearbox ⅞ pint (500 c.c.)
	Primary Chaincase ¼ pint (150 c.c.)
	Primary Chaincase ¼ pint (150 c.c.)
	Front Forks (each leg) ½ pint (190 c.c.)
Brakes	Front, diameter 8" (20.32 cm.)
	Rear, diameter 7" (17.78 cm.)
Tire size	Front 3.25 × 19
	Rear 4.00 × 18

CLASSIC
BIKE SPARES



TROPHY 650 (TR6C) (TR6CV-5 SPEED) TECHNICAL DATA

Bore and stroke...	71 x 82 mm. 2.79 x 3.23 ins.
Capacity	649 c.c. (40 cu. ins.)
Compression ratio	9 : 1
Spark plugs	Champion N3
Carburetor	Amal Concentric 930
										Main jet ... 230
										Needle jet106
										Throttle valve ... No. 3½
Gearbox sprocket	18 teeth
Chains	Front ... ¾" Duplex x 84 links
										Rear ... 5/8" x 3/8" x 106 links
Capacities	Gas Tank ... 3.6 U.S. galls.
										Oil Tank ... 4.8 U.S. pints
										Gearbox ... 7/8 pint (500 c.c.)
										Primary Chaincase ... ¼ pint (150 c.c.)
										Front Forks (each leg) ... 1/5 pint (190 c.c.)
Brakes	Front, diameter... 8" (20.32 cm.)
										Rear, diameter ... 7" (17.78 cm.)
Tire size	Front ... 3.25 x 19
										Rear ... 4.00 x 18

**CLASSIC
BIKE SPARES**



BONNEVILLE (T120R) (T120RV - 5 SPEED) TECHNICAL DATA

Bore and stroke...	71 × 82 mm.
										2.79 × 3.23 ins.
Capacity	649 c.c. (40 cu. ins.)
Compression ratio	9 : 1
Spark plugs	Champion N3
Carburetors	2 Amal Concentric 930
										Main jet ... 190
										Needle jet106
										Throttle valve ... No. 3
Gearbox sprocket	19 teeth
Chains	$\frac{3}{8}$ " Duplex × 84 links
										Front ... $\frac{5}{8}$ " × $\frac{3}{8}$ " × 106 links
										Rear ...
Capacities	3.6 U.S. galls.
										Gas Tank ...
										Oil Tank ... 4.8 U.S. pints.
										Gearbox ... $\frac{7}{8}$ pint (500 c.c.)
										Primary Chaincase ... $\frac{1}{4}$ pint (150 c.c.)
										Front Forks (each leg) ... $\frac{1}{2}$ pint (199 c.c.)
Brakes	8" (20.32 cm.)
										Front, diameter...
										Rear, diameter ... 7" (17.78 cm.)
Tire size	3.25 × 19
										Front ...
										Rear ... 4.00 × 18

CLASSIC
BIKE SPARES

HOW TO USE THIS SPARE PARTS CATALOG

First consult the index on Page 3 for the parts or group of parts which you wish to locate. When you have located the parts make sure from the end columns that the part you have located does apply to your machine.

List the quantities required as single units; do not ask for "2 pairs" or "3 dozen".

In case of painted items always state the color required. Painted parts are available only in the colors or alternatives specified for that model of that particular year.

CARTON PACK LIST

The following sub-assemblies are supplied in carton packs under the C.P. part number stated. The contents of these carton packs are preserved and will not deteriorate under adverse conditions.

<i>Part No.</i>	<i>Contents</i>
Brake Lining	
C.P.38/A.M.2 2	NW243 Brake lining
... .. 16	W129 Rivet
C.P.205 2	W1734 Brake lining
... .. 16	W129 Rivet
Pistons (complete with rings, gudgeon pins and circlips)	
E6895	7.5 : 1 C.R. For use with low grade fuel
E9488	9 : 1 C.R. Standard
E6867	11 : 1 C.R. Competition use only
All the above pistons are available in oversizes of 0.010 ins., 0.020 ins., 0.040 ins., (0.25 mm., 0.5 mm., 1mm.)	
Valve Guides	
C.P.97 2	E2899 Inlet guide
(TR6) 2	E2900 Exhaust guide



PLEASE NOTE

THROUGHOUT THIS LIST, ASSEMBLIES ARE PRINTED IN CAPITALS AND THE COMPONENTS INCLUDED IN THAT ASSEMBLY ARE INDENTED IN THE DESCRIPTION COLUMN, REVERTING TO THE ORIGINAL ALIGNMENT WHEN THE ASSEMBLY IS COMPLETE. TO ORDER THE COMPLETE ASSEMBLY IT IS NECESSARY ONLY TO QUOTE THE ASSEMBLY NUMBER. ANY COMPONENT PARTS LISTED MAY ALSO BE OBTAINED SEPARATELY IF REQUIRED.

SPECIAL WORKSHOP TOOLS

A COMPLETE LIST OF WORKSHOP TOOLS CAN BE MADE AVAILABLE BY EITHER CONTACTING YOUR DEALER OR APPLYING DIRECT TO THE TRIUMPH SERVICE DEPARTMENT. IN MOST CASES THESE TOOLS ARE VERY COSTLY AS THEY ARE MADE ENTIRELY FOR WORKSHOP USE, AND THEREFORE, IT IS NOT RECOMMENDED THAT THE PRIVATE OWNER PURCHASES THE TOOLS IN ORDER TO AID SERVICING THE MACHINE ONCE OR TWICE ONLY. IN THESE CIRCUMSTANCES IT IS FAR MORE ECONOMICAL TO GET IN TOUCH WITH A RECOGNISED DEALER.

UNIFIED THREAD FORM

NEW PARTS HAVING THREADED FIXINGS INTRODUCED IN THIS CATALOG HAVE THE UNIFIED FORM OF SCREW THREADS. THIS CHANGEOVER WILL BE CONTINUED AS AND WHEN NEW PARTS ARE INTRODUCED. EVEN WHERE PARTS ARE SIMILAR IN APPEARANCE NEW PART NUMBERS WILL BE ALLOCATED TO IDENTIFY THE UNIFIED THREADS. ALL NUTS, BOLTS AND STUDS HAVING THIS THREAD ARE IDENTIFIED BY MARKINGS. BOLTS HAVE A CIRCULAR RECESS IN THEIR HEADS, STUDS A CIRCULAR GROOVE ON THE END, AND NUTS HAVE INTERLOCKING CIRCLES ON THE SIDE.

COLOR

TIGER 650 (TR6R—TR6RV)

- Petrol tank—Polychromatic blue and cold white, black lining.
- Petrol tank (4 $\frac{3}{4}$ U.S. gallon) optional—Polychromatic blue and cold white, black lining.
- Fenders —Polychromatic blue, cold white stripe, black lining.
- Side covers—Black, gold decal.

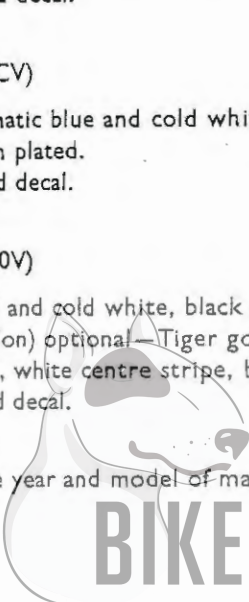
TROPHY 650 (TR6C—TR6CV)

- Petrol tank—Polychromatic blue and cold white, black lining.
- Fenders —Chromium plated.
- Side covers—Black, gold decal.

BONNEVILLE (T120R—T120V)

- Petrol tank—Tiger gold and cold white, black lining.
- Petrol tank (4 $\frac{3}{4}$ U.S. gallon) optional—Tiger gold, white stripes, black lining.
- Fenders —Tiger gold, white centre stripe, black lining.
- Side covers—Black, gold decal.

N.B. It is important to state year and model of machine when ordering painted components.

 **CLASSIC
BIKE SPARES**

TRIUMPH SPARES

HOW TO ORDER. Every part is indicated by a number, and this should be quoted together with the description. In order to assist customers, dimensions have been given in many cases where parts are similar. Parts where possible have been listed in order of assembly and a number of the illustrations show the assembly order also. With these aids, there should be no difficulty in identifying the parts you require.

ALWAYS HEAD YOUR ORDER WITH THE ENGINE NUMBER, STAMPED ON THE LEFT SIDE OF THE ENGINE JUST BELOW THE CYLINDER, TOGETHER WITH THE PREFIX LETTERS.

WHERE TO OBTAIN. Triumph Spare Parts can only be obtained from an authorised Triumph Dealer, and we recommend our customers to place their orders with the Triumph Dealer in their district. When parts not usually asked for are required, and for which the Dealer may have to write or obtain specially, the postage or carriage incurred becomes payable.

TRIUMPH SPARES ARE NOT SUPPLIED TO PRIVATE OWNERS DIRECT FROM THE FACTORY. A LIST OF AUTHORISED DEALERS WHO STOCK TRIUMPH SPARES IS AVAILABLE ON REQUEST. IF DIFFICULTY IS EXPERIENCED IN OBTAINING THE REQUIRED PARTS, THE MATTER SHOULD BE TAKEN UP DIRECTLY WITH THE TRIUMPH SPARES DEPARTMENT.

Customers are warned against the risk incurred by purchasing parts that are not of genuine Triumph manufacture. This risk is eliminated if parts are ordered as instructed from recognised Dealers.

PATTERNS AND PARTS FOR REPAIR. It is not necessary to send patterns if the part number is quoted. The sending of patterns often delays the order as parcel post or rail takes longer than letter post.

Parts sent to Coventry for repair, replacement, or as patterns should bear the sender's Name and Address and clear instructions should accompany the parts. In your own interest send a copy of the advice note under separate cover. All parts must be forwarded carriage paid and care should be taken to ensure that all remittances are sent separately and not enclosed with the parts. Fragile units such as cylinders, etc., should always be boxed to avoid damage in transit. Complete machines should have all fitments such as windscreens, driving mirrors, tools, etc., removed by the sender before despatch, as it is impossible for us to accept responsibility in the event of loss in transit. We are always pleased to give estimates for overhauling and repairs, but should an estimate not be accepted, a charge will be made covering cost of dismantling and re-assembling, if carried out. Work cannot be accepted at the factory direct from private owners.

Communications relating to Parts should be addressed to the SPARES DEPARTMENT and for repairs, guarantee claims and technical advice to the SERVICE DEPARTMENT, Triumph Engineering Co. Ltd., Meriden Works, Allesley, Coventry. In order to facilitate quick reference, the quoting of any number, invoice number or reference from previous communications is essential. Accessories not of our manufacture should be sent direct to the actual makers, whose Names and Addresses appear below.

PROPRIETARY GROUP

Ancillary equipment which is fitted to our motor cycles is of the highest quality and is guaranteed by the manufacturers and not by ourselves. Any repairs or claims should be directed to the actual makers or their local agents who will always give owners every possible assistance. The following are the addresses of the various manufacturers:—

CARBURETORS

Messrs. Amal Ltd.,
Holdford Road,
Witton,
Birmingham, 6.

CHAINS.

Renold Chains Ltd.,
Wythenshawe,
Manchester.

ELECTRICAL EQUIPMENT.

Messrs. J. Lucas Ltd.,
Gt. Hampton Street,
Birmingham, 18.

TIRES.

Dunlop Rubber Co. Ltd.,
Fort Dunlop,
Birmingham, 24.

The Avon Rubber Co. Ltd.,
Melksham,
Wilts.

SPARK PLUGS.

Champion Sparking Plug Co. Ltd.,
Feltham,
Middlesex.

INSTRUMENTS.

Messrs. Smiths Industries Ltd.,
Cricklewood Works,
London, N.W.2.

SUSPENSION UNITS.

Messrs. Girling Ltd.,
Birmingham Road,
West Bromwich,
Staffordshire.



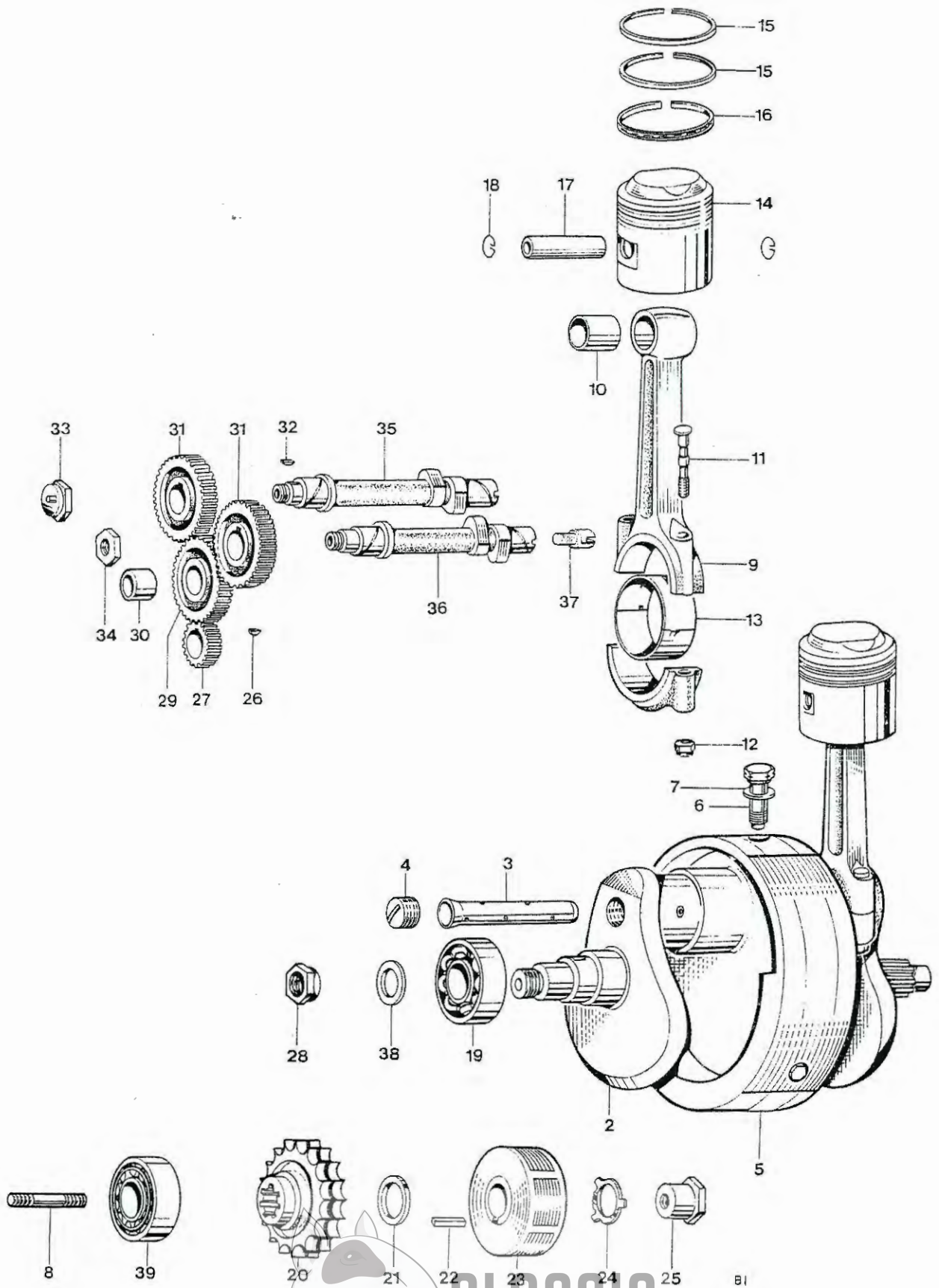


Fig. 1. CRANKSHAFT AND CONNECTING RODS

CLASSIC
BIKE SPARES

CRANKSHAFT AND CONNECTING RODS

1	E13054	CRANKSHAFT AND FLYWHEEL ASSEMBLY (METRIC)	...	1	
2	E13097	CRANKSHAFT C/W. OIL TUBE	1	
3	E3903	Oil tube	1	
4	E12800	Screwed plug	1	
5	E12425	Flywheel	1	
6	*E12799	Flywheel bolt	3	
7	E11003	Washer	3	
8	E3114	Crankshaft stud (1 $\frac{3}{8}$ in. O.A.)	1	
9	E9525	CONNECTING ROD	2	
10	E1511	Small end bush	2	
11	E6576	Connecting rod bolt	4	
12	D3761	Self locking nut	4	
13	E3586	Big end bearing (Available in -.010 in. and -.020 in. undersizes)	...	4	
14	E9488	PISTON COMPLETE 9 : 1 C.R.	2	
15	E6864	Taper compression ring	4	
16	E6865	Oil control ring	2	
17	E6861	Gudgeon pin (short)	2	
18	WE479	Circlip	4	
19	E3835	Main bearing, right (metric)	1	
20	E12662	Motor sprocket, 29 teeth Duplex	1	
21	E4573	Distance piece	1	
22	E10082	Rotor key	1	
23	54213901	Rotor (99-0739)	1	
24	E3975	Tab washer	1	
25	E3977	Nut	1	
26	E1580	Key	1	
27	E4564	Timing pinion	1	
28	E12877	Nut	1	
29	E6159	INTERMEDIATE WHEEL	1	
30	E400	Intermediate wheel bush...	1	
31	E12719	Camshaft pinion...	2	
32	E1558	Camshaft key	2	
33	E11007	Inlet camshaft nut	1	
34	E6523	Exhaust camshaft nut	1	
35	E11063	Inlet camshaft,	1	
36	E9989	EXHAUST CAMSHAFT	1	
37	E9988	Tachometer drive plug	1	
38	E3300	Clamping washer	1	
39	E2879	Main bearing, left (metric)	1	
Not illus.	E12663	Spacer	1	
Not illus.	E8038	Shim (0-010 in.)	} Engine sprocket	...	As required (up to 4)
Not illus.	E12660	Shim (0-030 in.)		...	As required (up to 4)

* Use D524 Loctite Sealant



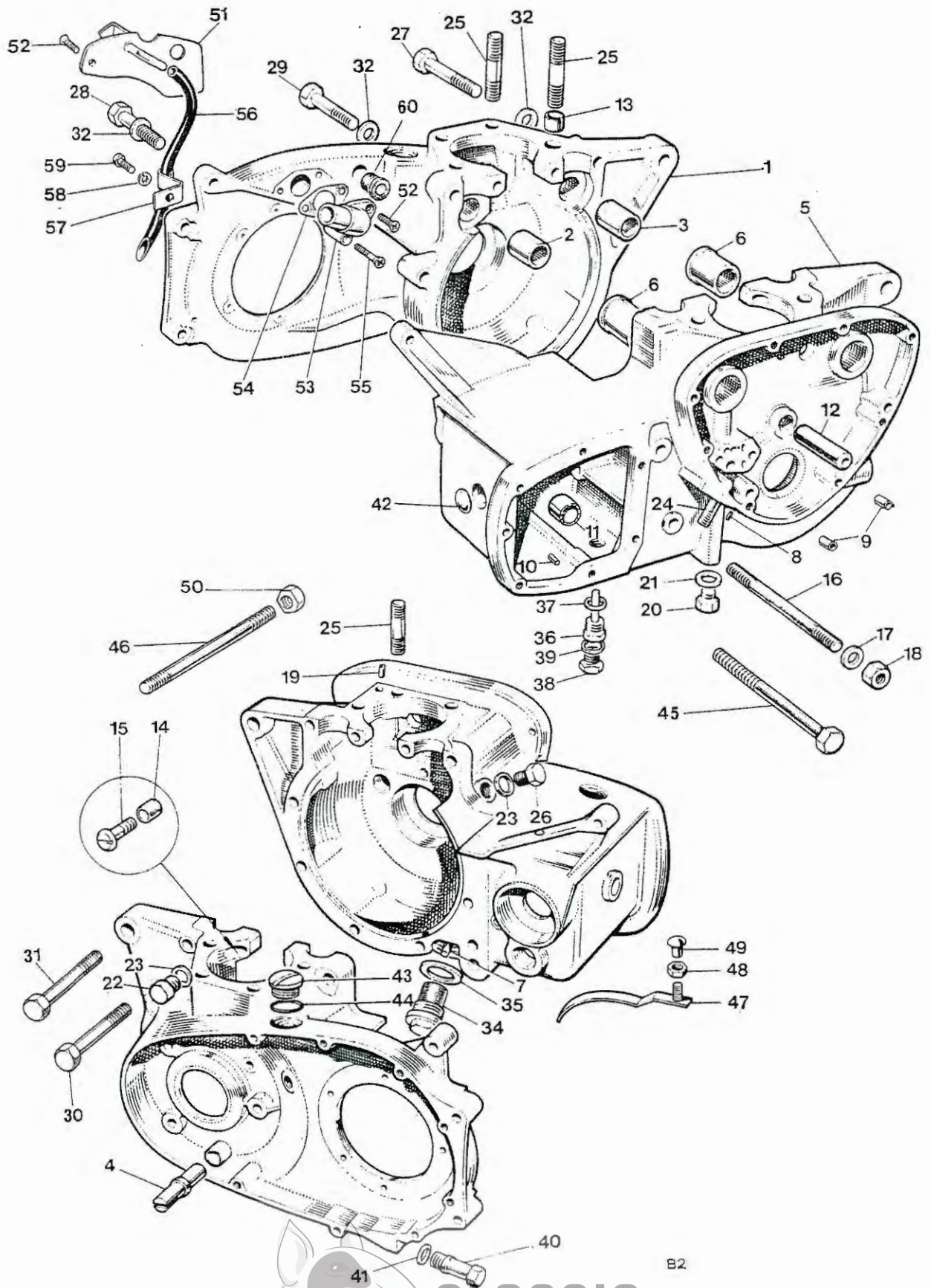


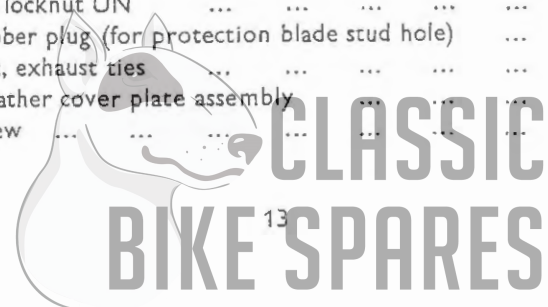
Fig. 2 CRANKCASE

B2

CLASSIC
BIKE SPARES

CRANKCASE

Ref. No.	Part No.	DESCRIPTION	QUANTITY	REMARKS
1	E11266	CRANKCASE DRIVE SIDE	1	
2	E10287	Camshaft bush	1	
3	E10287	Camshaft bush	1	
4	E5976	Chain tensioner abutment	1	
5	E13098	CRANKCASE TIMING SIDE	1	
6	E10286	Camshaft bush	2	
7	E4538	Scavenge pipe	1	Reference only
8	E6386	Locating peg (at oil pipes)	1	Reference only
9	T989	Hollow dowel	2	
10	T912	Locating peg (L/S at thrust washer)	1	
11	T1606	Needle roller bearing, layshaft	1	
12	E375	Intermediate wheel spindle	1	
13	E8751	Hollow dowel	1	
14	E3716	Hollow dowel	1	} Not required on later models
15	S1873	Screw	2	
16	14-1445	Stud	1	
17	S25-2	Plain washer	2	
18	14-0303	Nut	2	
19	E1532	Hollow dowel, tappet oil feed	2	
20	E9330	Oilway-plug	1	
21	F1880	Copper washer	1	
22	S1871	Tachometer drive plug (L.H. thread)	1	
23	E8896	Fibre washer	2	
24	S1863	Oil pipe stud	1	
25	S1865	Cylinder stud	8	
26	S1872	Plug, timing hole	1	
27	S1870	Bolt	1	
28	14-6220	Bolt	1	
29	14-6223	Bolt	1	
30	14-0230	Bolt	1	
31	S1823	Bolt	2	(TR6C 3 off)
32	D2330	Plain washer	10	(TR6C 7 off)
33	14-1302	Nut	5	(TR6C 4 off)
34	E9336	Crankcase filter... ..	1	
35	E5315	Joint washer	1	
36	T2167	Drain plug (with level tube)	1	
37	T1257	Fibre washer	1	
38	S543	Level plug UN	1	
39	E2441	Copper washer	1	
40	T2259	Drain and adjuster plug	1	
41	T1738	Fibre washer	1	
42	T1920	Blanking plug	1	Reference only
43	T2166	Filler plug UN	2	
44	E8782	"O" ring	2	
45	14-6242	Bolt	1	
46	S669	Stud	1	(Except TR6C)
47	E8892	Protection blade	1	
48	14-1301	Self locknut UN	1	
49	E7573	Rubber plug (for protection blade stud hole)	1	
50	14-0402	Nut, exhaust ties	2	(Except TR6C)
51	E11072	Breather cover plate assembly	1	
52	E11075	Screw	1	



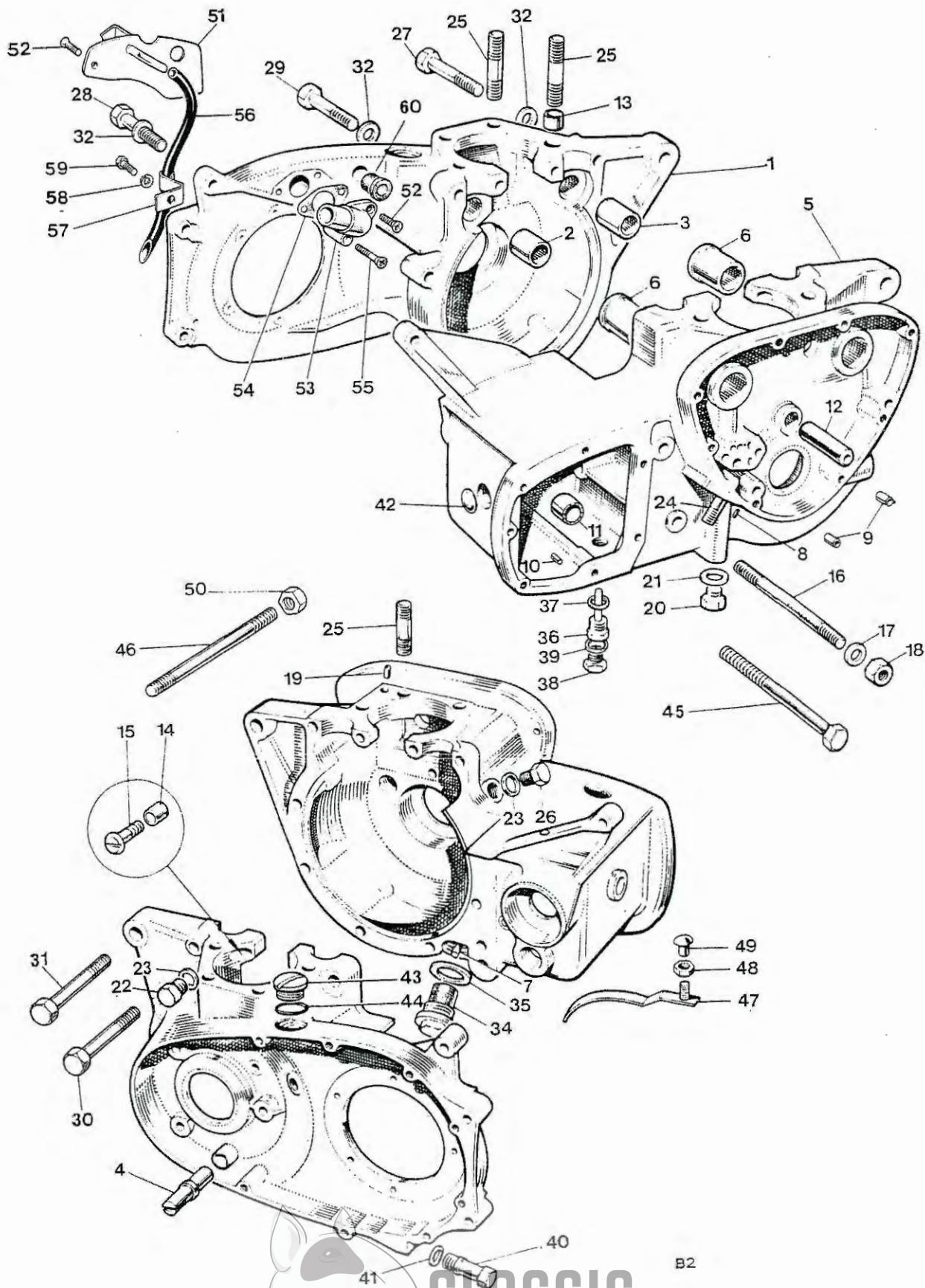


Fig. 2 CRANKCASE

CLASSIC
BIKE SPARES

B2

CRANKCASE (continued)

53	E9335	Outlet stub	1	
54	E11460	Joint washer	1	
55	E11077	Screw	2	
56	E11078	Tube, primary chain oiler	1	
57	E4705	Clip	1	
58	S26-2	Spring washer	1	
59	14-0101	Bolt ($\frac{7}{16}$ in. U.H.)	1	
60	E11345	Grommet, alternator leads—external	1	



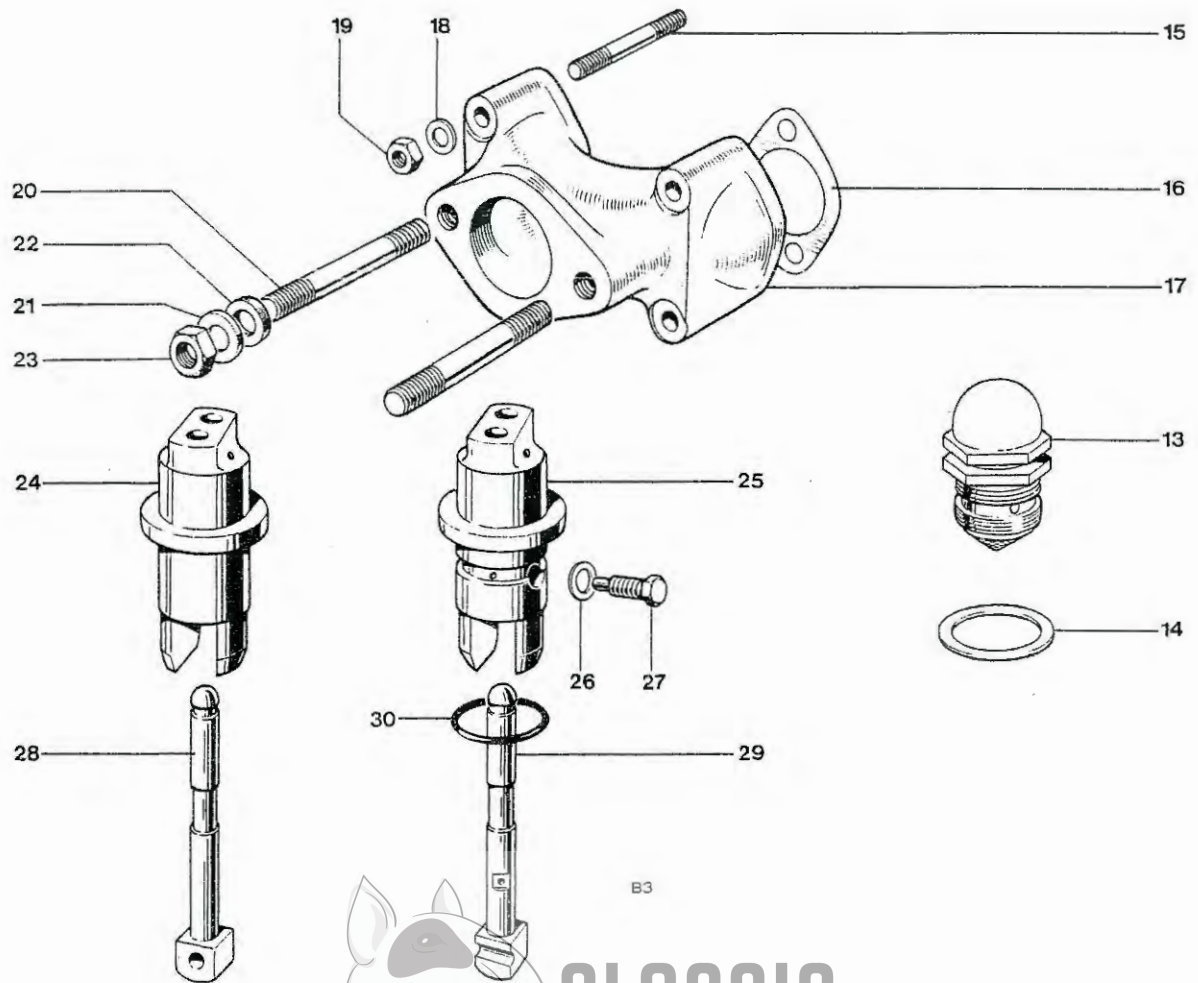
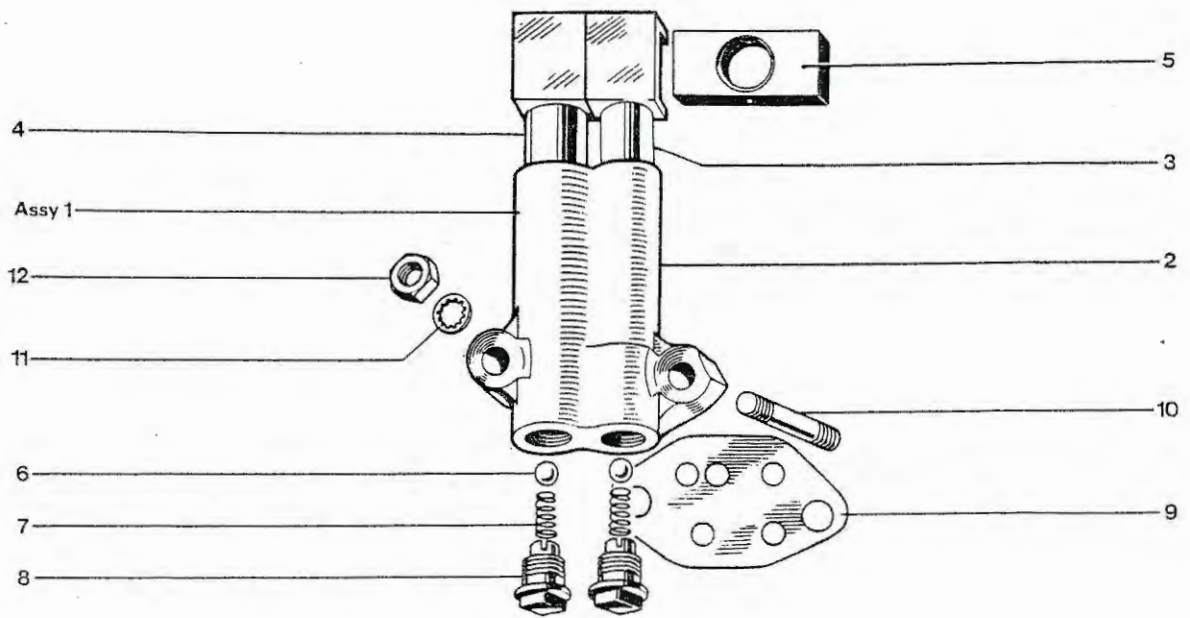


Fig. 3. OIL PUMP, RELEASE VALVE, MANIFOLD AND TAPPETS

OIL PUMP, RELEASE VALVE, MANIFOLD AND TAPPETS

Ref. No.	Part No.	DESCRIPTION	QUANTITY	REMARKS
1	E9421	OIL PUMP	1	
2	Reference only	Pump body... ..	1	
3	E9269	Feed plunger	1	
4	E6681	Scavenger plunger	1	
5	E495	Drive block	1	
6	S70-7	Valve ball ($\frac{7}{32}$ in. dia.)	2	
7	E403	Valve spring	2	
8	E2360	Screwed plug	2	
9	E11461	Joint washer	1	
10	S1864	Oil pump stud	2	
11	E3887	Serrated washer	2	
12	S1906	Nut	2	
13	E6595	Oil release valve	1	
14	E1670	Fibre washer	1	
Not illus.	E8754	Joint washer, release valve cap to body	Available	
15	S1876	Stud	4	
16	E5660	Joint washer	2	} TR6
17	E9973	Inlet manifold	1	
18	S25-13	Plain washer	4	
19	S1877	Nut	4	
20	S1996	Stud	2	
21	E9555	Cup	2	
22	E9554	"O" ring	2	
23	14-1301	Nut	2	
24	E9352	Inlet tappet guide	1	
25	E9353	Exhaust tappet guide	1	
26	E1612	Copper washer	2	
27	H200	Set bolt	2	
28	E3059R	Inlet tappet	2	
29	E8801	Exhaust tappet	2	
30	E7563	'O' ring	2	



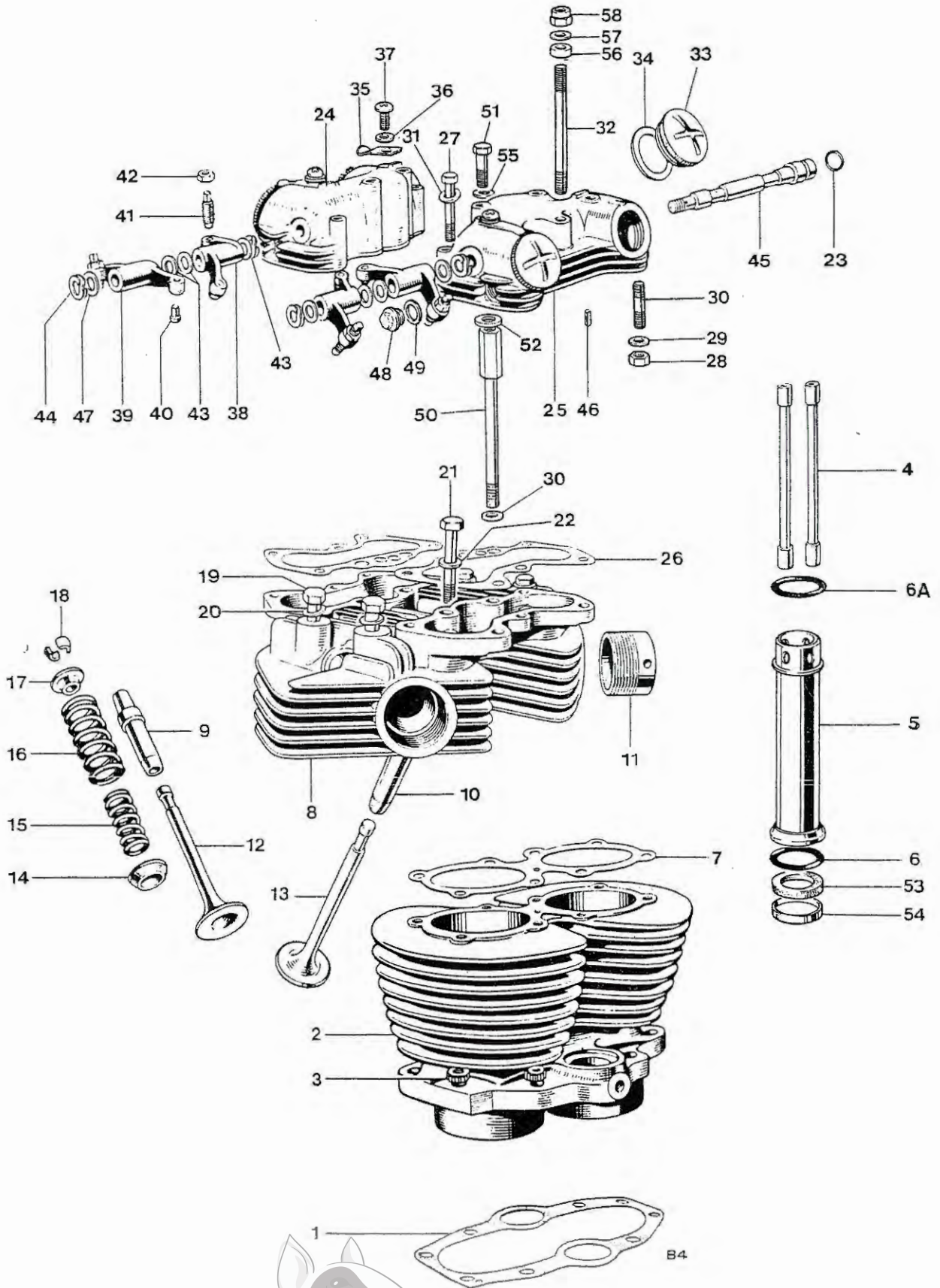


Fig. 4. CYLINDER BLOCK AND HEAD, TR6R, TR6C (EARLIER MODELS)

CLASSIC
BIKE SPARES

CYLINDER BLOCK AND HEAD, TR6R, TR6C (EARLIER MODELS)

1	E6309	Cylinder base washer	1
2	E6304	Cylinder block	1
3	S692	Cylinder base nut	8
4	E2620	Push rod	4
5	E12575	Cover tube	2
6	E7310	"O" ring, push rod cover tube (bottom)	2
6a	E11283	"O" ring, push rod cover tube (top)	2
7	E4547	Cylinder head gasket	1
8	E12354	CYLINDER HEAD c/w GUIDES	1
9	E2899	Inlet valve guide	2
10	E2900	Exhaust valve guide	2
11	E9516	Exhaust pipe adaptor	2
12	E4603	Inlet valve	2
13	E2904	Exhaust valve	2
14	E6439	Bottom cup	4
15	E4221	Inner valve spring (red spot)	4
16	E7400	Outer valve spring (green spot)	4
17	E1543	Top collar	4
18	99-0062	Split cotter	8
19	E327	Cylinder head bolt	4
20	F2184	Plain washer	4
21	E4771	Bolt	1
22	S25-3	Plain washer	1
23	D3548	Sealing ring	2
24	E12350	Inlet rocker box	1
25	E12351	Exhaust rocker box	1
26	E12599	Joint washer	2
27	S1875	Rocker box bolt	4
28	14-0301	Rocker box nut	6
29	E3302	Plain washer	6
30	14-1401	Rocker box stud	6
31	S25-13	Plain washer	4
32	14-1435	Cylinder head stud (for torque stay)	2
33	E4610	Inspection cap	4
34	E3751	Joint washer	4
35	E4609	Locking spring	4
36	WE170	Fibre washer	4
37	14-2203	Screw	4
38	E1457	ROCKER (right exhaust, left inlet)	2
39	E1458	ROCKER (left exhaust, right inlet)	2
40	E10070	Rocker ball pin	4
41	E1513	Rocker adjusting pin	4
42	E470	Adjuster lock nut	4
43	E1575	Thrust washer, $\frac{1}{2}$ in.	6
44	E1574	Spring washer	4
45	E1512	Rocker spindle	2
46	E12361	Dowel, rocker box	4
47	E1330	Thrust washer, $\frac{3}{8}$ in.	2
48	E12079	Access plug	4
49	E12080	Washer	4
50	E12888	Bolt, cylinder head	4
51	E12889	Bolt, rocker box	4

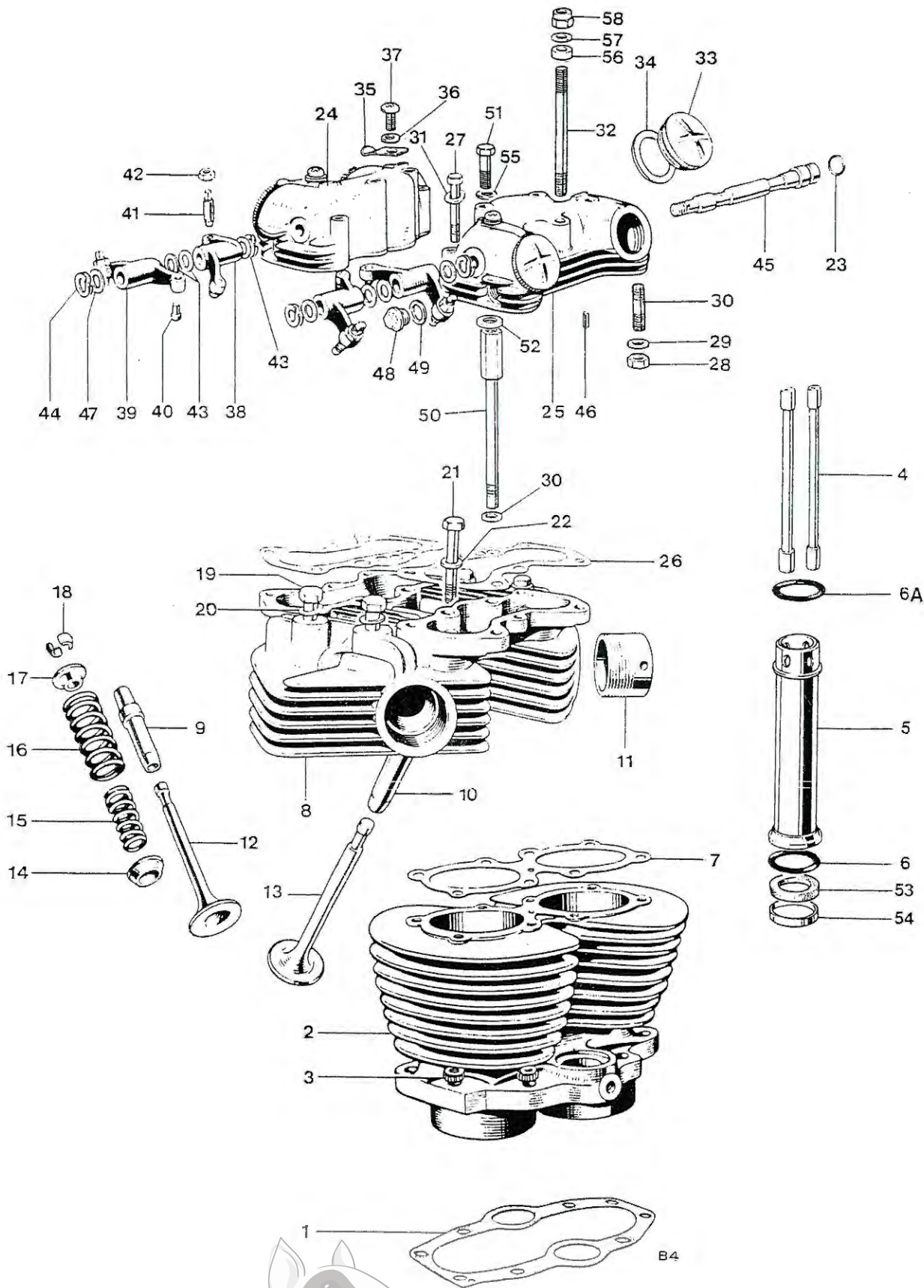


Fig. 4. CYLINDER BLOCK AND HEAD, TR6R, TR6C (EARLIER MODELS)

Ref. No. Part No.

DESCRIPTION

QUANTITY

REMARKS

CYLINDER BLOCK AND HEAD, TR6R, TR6C (EARLIER MODELS)
(continued)

Ref. No.	Part No.	DESCRIPTION	QUANTITY	REMARKS
52	E12598	Spacer	4	
53	E4752	Sealing ring	2	
54	E11707	Sleeve	2	
55	D2332	Washer	4	
56	E12597	Distance piece	2	} For torque stay
57	D2331	Washer	2	
58	14-1303	Nut	2	



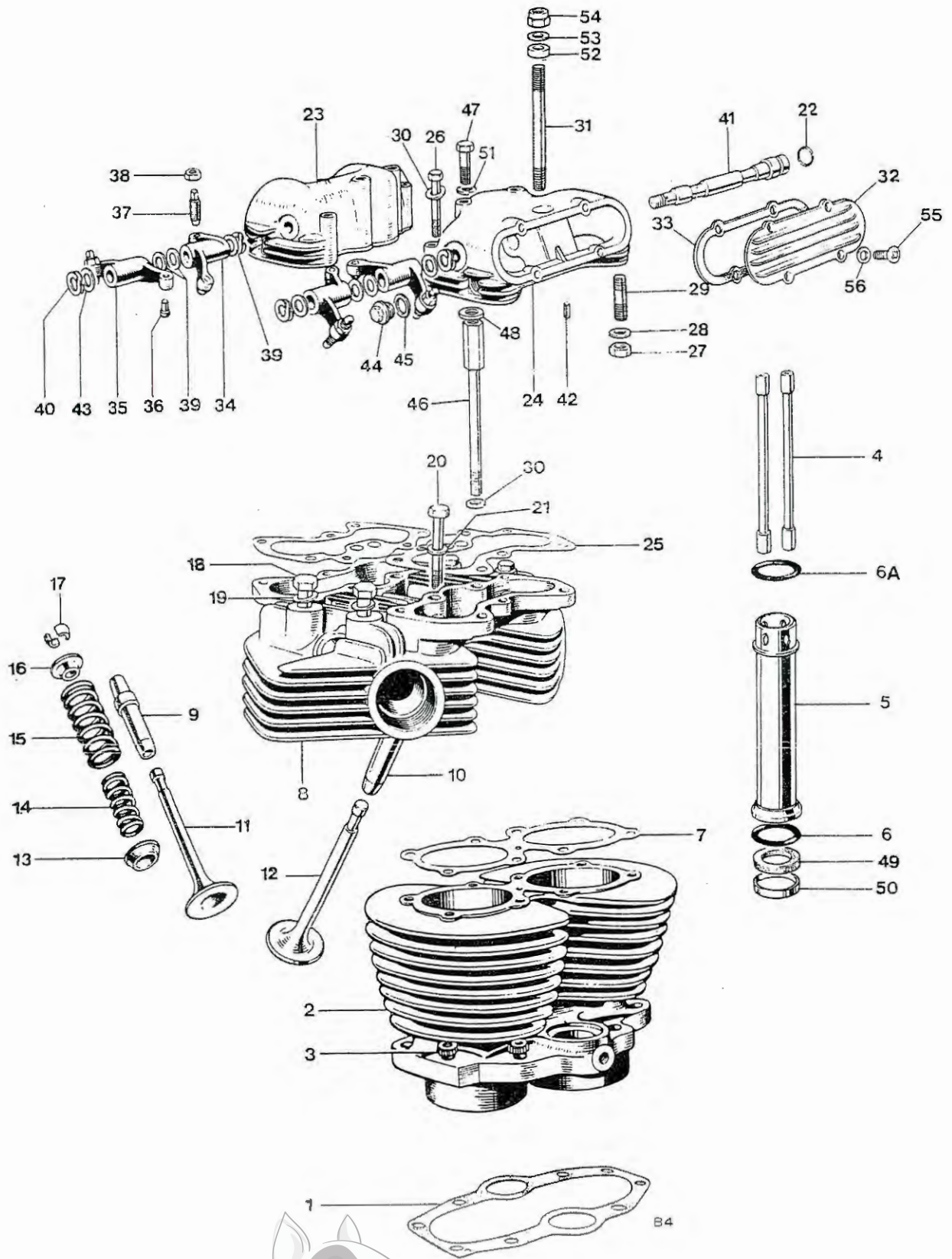


Fig. 5. CYLINDER BLOCK AND HEAD, TR6R, TR6C (LATER MODELS)

CYLINDER BLOCK AND HEAD, TR6R, TR6C (LATER MODELS)

1	E6309	Cylinder base washer	1
2	E6304	Cylinder block	1
3	S692	Cylinder base nut	8
4	E2620	Push rod	4
5	E12575	Cover tube	2
6	E7310	"O" ring, push rod cover tube (bottom)	2
6a	E11283	"O" ring, push rod cover tube (top)	2
7	E4547	Cylinder head gasket	1
8	E12806	CYLINDER HEAD c/w GUIDES	1
9	E2899	Inlet valve guide	2
10	E2900	Exhaust valve guide	2
11	E4603	Inlet valve	2
12	E2904	Exhaust valve	2
13	E6439	Bottom cup	4
14	E4221	Inner valve spring (red spot)	4
15	E7400	Outer valve spring (green spot)	4
16	E1543	Top collar	4
17	99-0062	Split cotter	8
18	E327	Cylinder head bolt	4
19	F2184	Plain washer	4
20	E4771	Bolt	1
21	S25-3	Plain washer	1
22	D3548	Sealing ring	2
23	E12569	Inlet rocker box	1
24	E12570	Exhaust rocker box	1
25	E12599	Joint washer	2
26	S1875	Rocker box bolt	4
27	14-0301	Rocker box nut... ..	6
28	E3302	Plain washer	6
29	14-1401	Rocker box stud	6
30	S25-13	Plain washer	4
31	14-1435	Cylinder head stud (for torque stay)	2
32	E12572	Inspection cover	4
33	E12574	Joint washer	4
34	E1457	ROCKER (right exhaust, left inlet)	2
35	E1458	ROCKER (left exhaust, right inlet)	2
36	E10070	Rocker ball pin	4
37	E1513	Rocker adjusting pin	4
38	E470	Adjuster lock nut	4
39	E1575	Thrust washer, 1/2 in.	6
40	E1574	Spring washer	4
41	E1512	Rocker spindle	2
42	E12361	Dowel, rocker box	4
43	E1330	Thrust washer, 3/8 in.	2
44	E12079	Access plug	4
45	E12080	Washer	4
46	E12888	Bolt, cylinder head	4
47	E12889	Bolt, rocker box	4

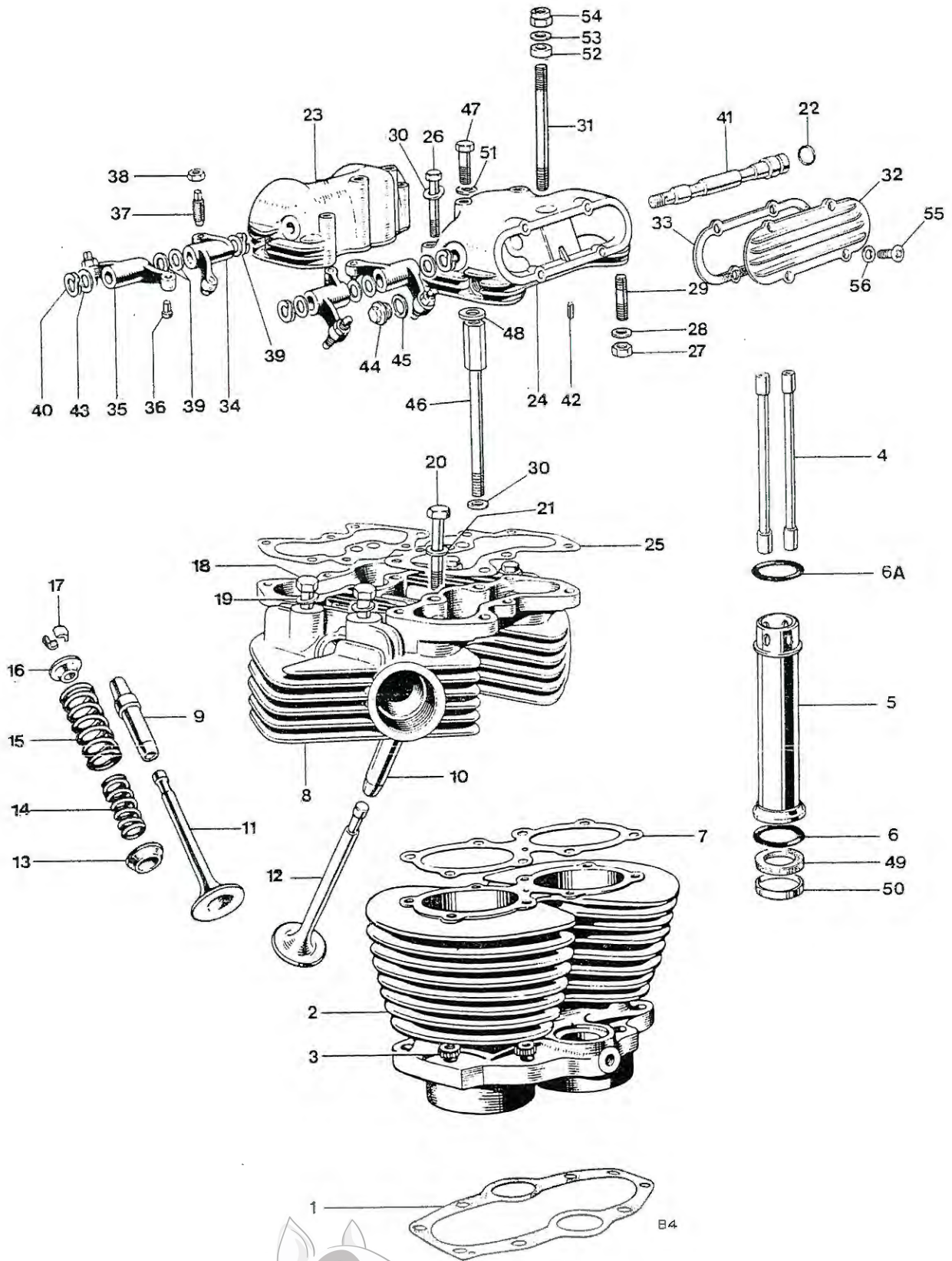


Fig. 5. CYLINDER BLOCK AND HEAD, TR6R, TR6C (LATER MODELS)

Ref. No. Part No.

DESCRIPTION

QUANTITY REMARKS

CYLINDER BLOCK AND HEAD, TR6R, TR6C (LATER MODELS) (continued)

Ref. No.	Part No.	DESCRIPTION	QUANTITY	REMARKS
48	E12598	Spacer	4	
49	E4752	Sealing ring	2	
50	E11707	Sleeve	2	
51	D2332	Washer	4	
52	E12597	Distance piece	2	} For torque stay
53	D2331	Washer	2	
54	14-1303	Nut	2	
55	14-0103	Screw	8	} Tappet inspection cover
56	D2329	Washer	8	



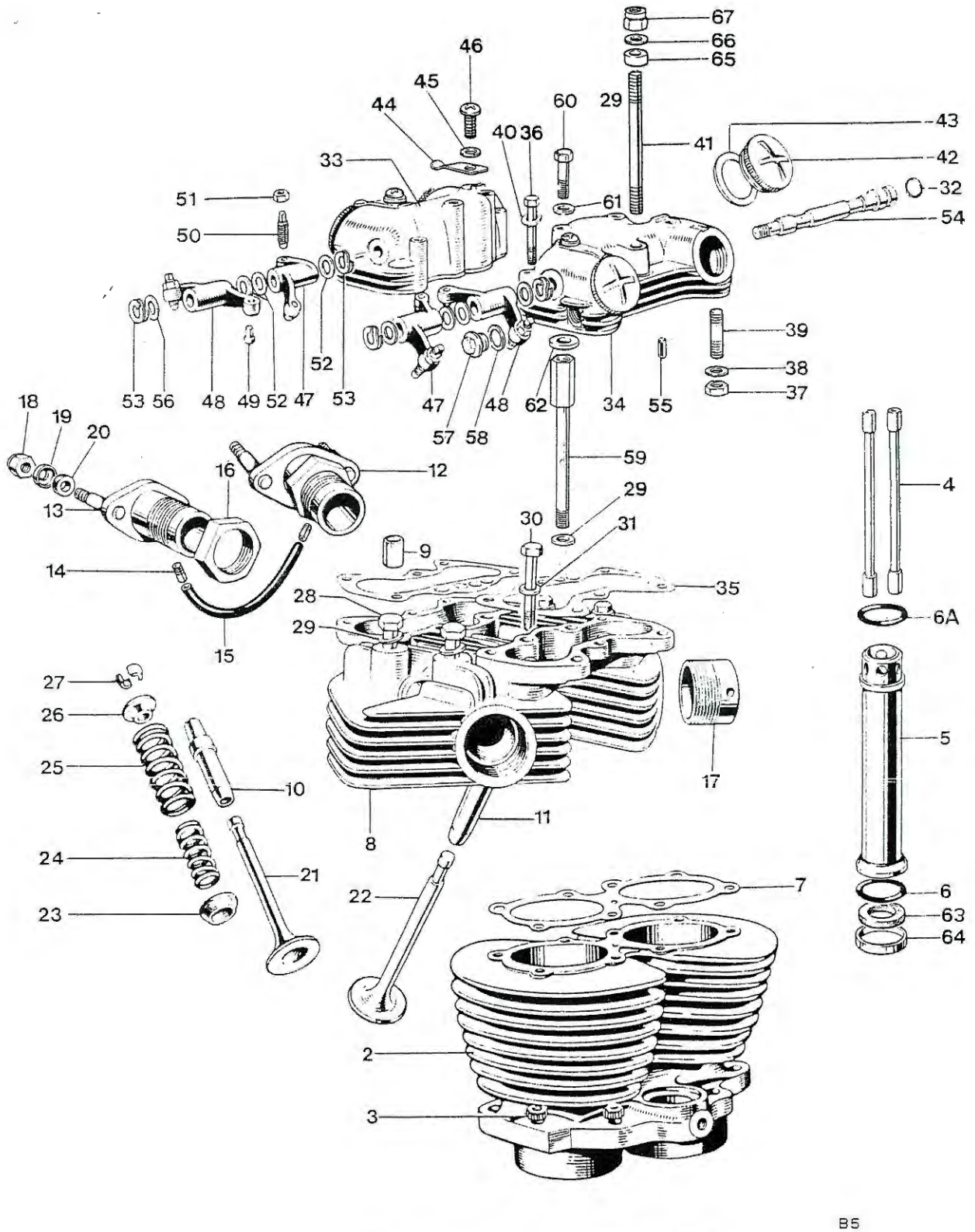
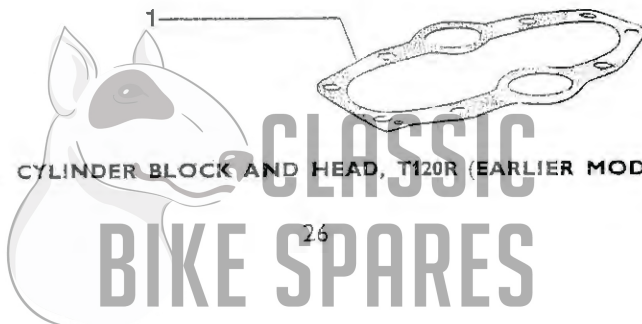


Fig. 6. CYLINDER BLOCK AND HEAD, T120R (EARLIER MODELS)

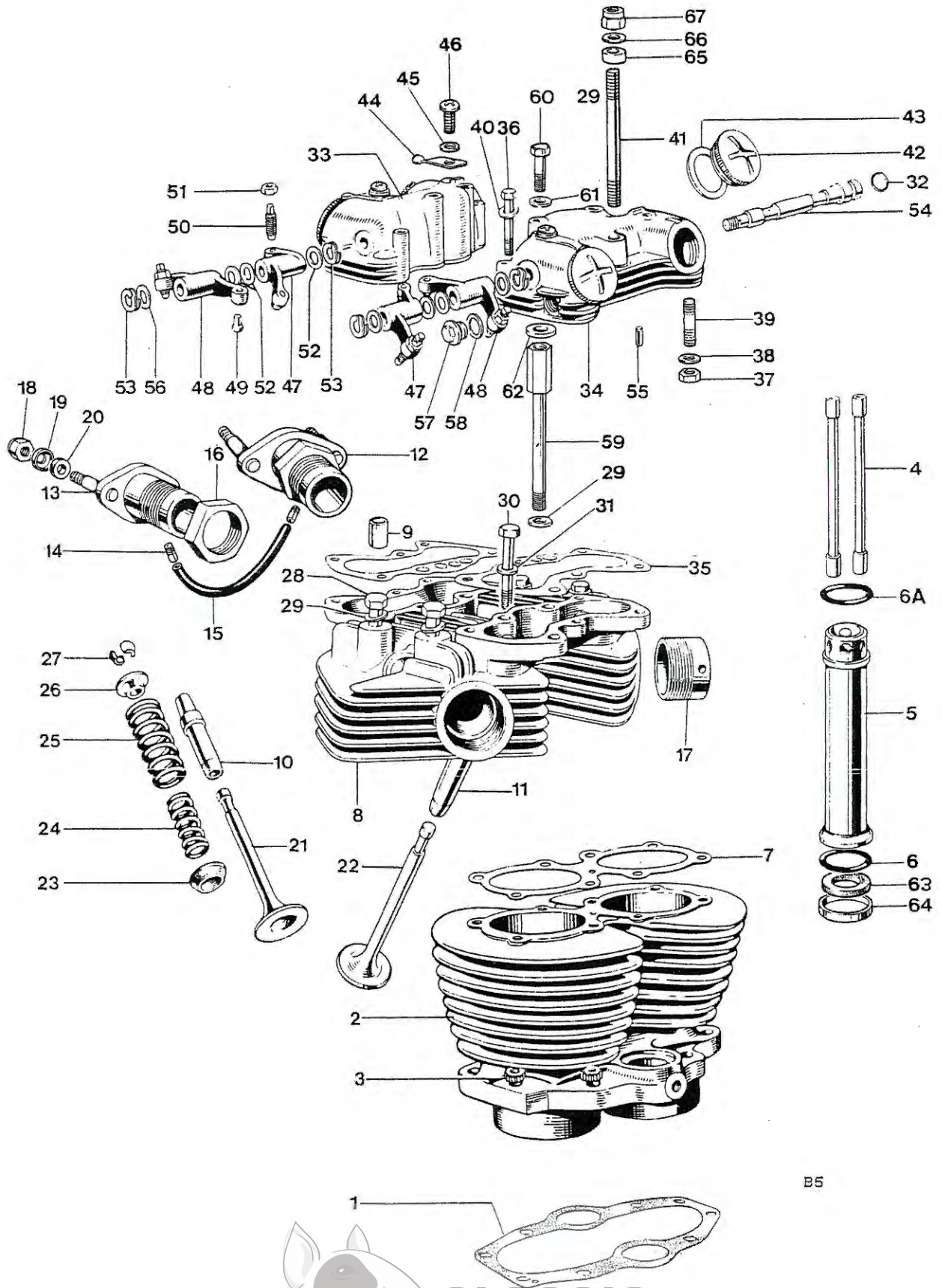


B5

CYLINDER BLOCK AND HEAD, T120R (EARLIER MODELS)

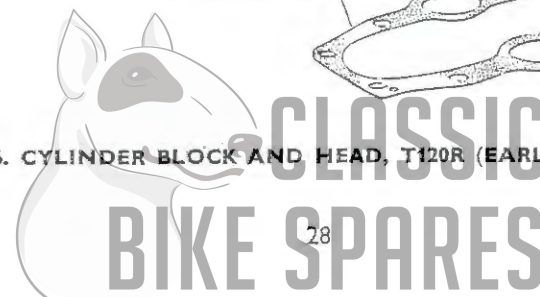
1	E6309	Cylinder base washer	1	
2	E6304	Cylinder block	1	
3	S692	Cylinder base nut	8	
4	E2620	Push rod	4	
5	E12575	Cover tube	2	
6	E7310	"O" ring (bottom)	2	
6A	E11283	"O" ring (top)	2	
7	E4547	Cylinder head gasket	1	
8	E12356	CYLINDER HEAD c/w GUIDES	1	
9	E5347	Sleeve for head bolts passing through inlet tracts		Reference only
10	E3827	Inlet valve guide	2	
11	E3828	Exhaust valve guide	2	
12	E9550	Carburetor adaptor, left	1	
13	E9551	Carburetor adaptor, right	1	
14	E6916	Connector	2	
15	E4792	Balance pipe	1	
16	S1932	Adaptor locking nut	2	
17	E9516	Exhaust pipe adaptor	2	
18	14-1301	Self-locking nut	4	
19	E9555	Cup	7	
20	E9554	Insulating ring	4	
21	E4603	Inlet valve	2	
22	E2904	Exhaust valve	2	
23	E6439	Bottom cup	4	
24	E4221	Inner valve spring (Red spot)	4	
25	E7400	Outer valve spring (green spot)	4	
26	E1543	Top collar	4	
27	99-0062	Split cotter	8	
28	E327	Cylinder head bolt	4	
29	F2184	Plain washer	4	
30	E4771	Bolt	1	
31	S25-3	Plain washer	1	
32	D3548	Sealing ring	2	
33	E12350	Inlet rocker box	1	
34	E12351	Exhaust rocker box	1	
35	E12599	Joint washer	2	
36	S1875	Rocker box bolt	4	
37	14-0301	Nut	6	
38	E3302	Plain washer	6	
39	14-1401	Rocker box stud	6	
40	S25-13	Plain washer	4	
41	14-1435	Cylinder head stud (for torque stay)	2	
42	E4610	Inspection cap	4	
43	E3751	Joint washer	4	
44	E4609	Locking spring	4	
45	WE170	Fibre washer	4	
46	14-2203	Screw	4	
47	E1457	ROCKER (right exhaust, left inlet)	2	
48	E1458	ROCKER (left exhaust, right inlet)	2	
49	E10070	Rocker ball pin	4	
50	E1513	Rocker adjusting pin	4	
51	E470	Adjuster lock nut	4	
52	E1575	Thrust washer, 1/2 in.	6	
53	E1574	Spring washer	4	





B5

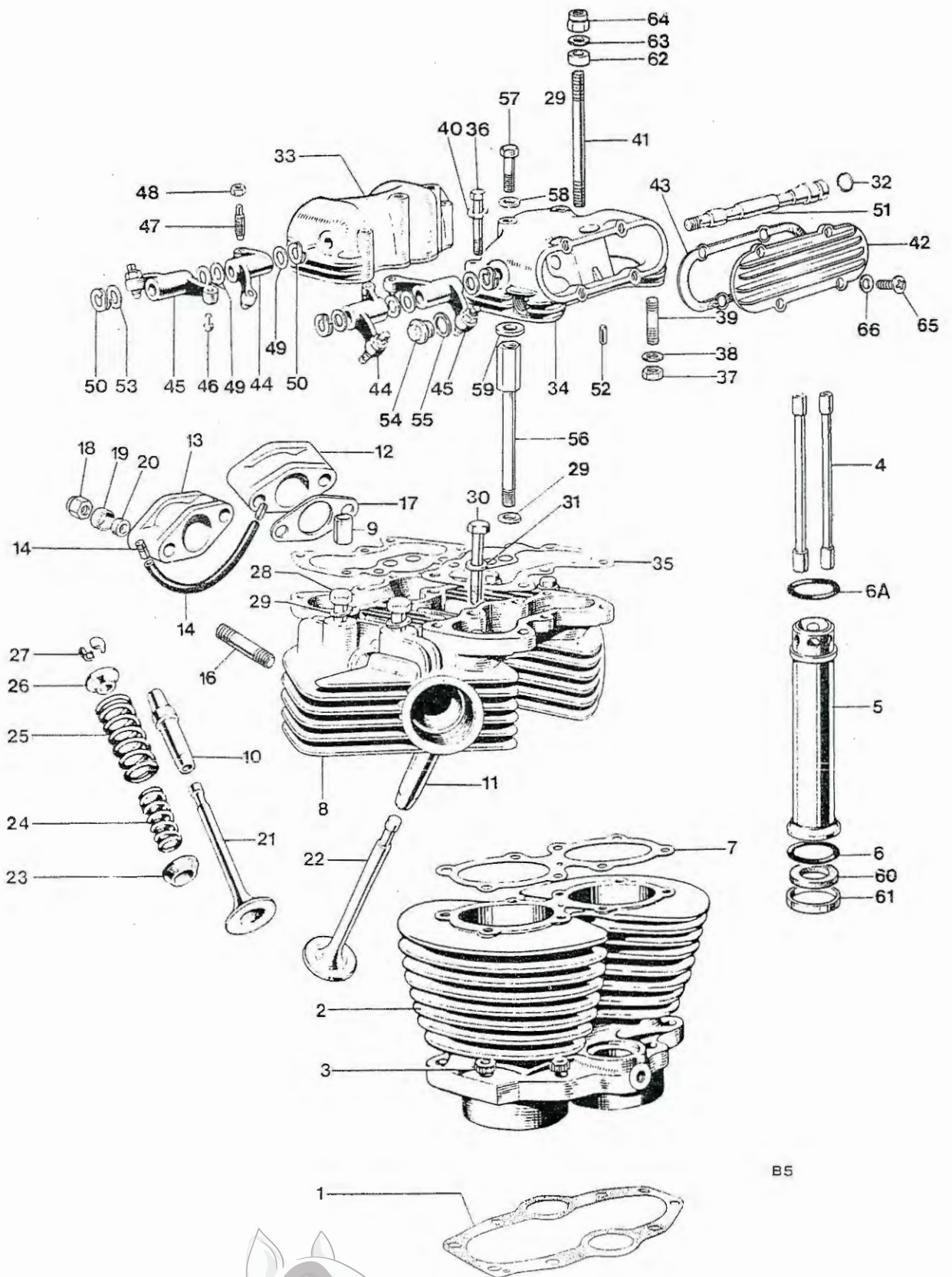
Fig. 6. CYLINDER BLOCK AND HEAD, T120R (EARLIER MODELS)



CYLINDER BLOCK AND HEAD, T120R (EARLIER MODELS)
(continued)

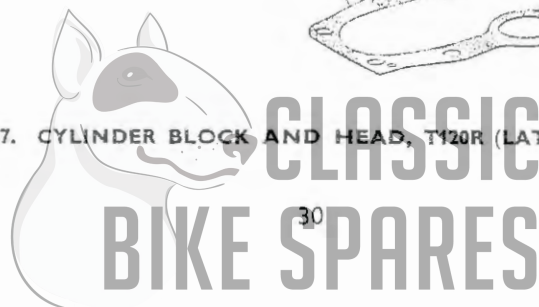
54	E1512	Rocker spindle	2
55	E12361	Dowel, rocker box	4
56	E1330	Thrust washer, $\frac{3}{8}$ in.	2
57	E12079	Access plug	4
58	E12080	Washer	4
59	E12888	Bolt, cylinder head	4
60	E12889	Bolt, rocker box	4
61	D2332	Washer	4
62	E12598	Spacer	4
63	E4752	Sealing ring	2
64	E11707	Sleeve	2
65	E12597	Distance piece	} For torque stay	2
66	D2331	Washer		2
67	14-1303	Nut		2





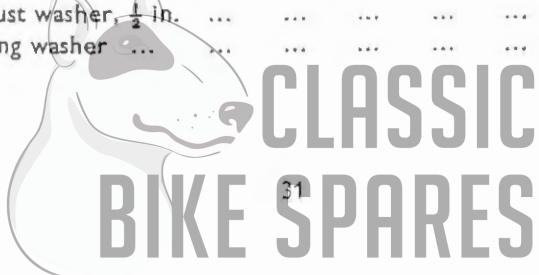
B5

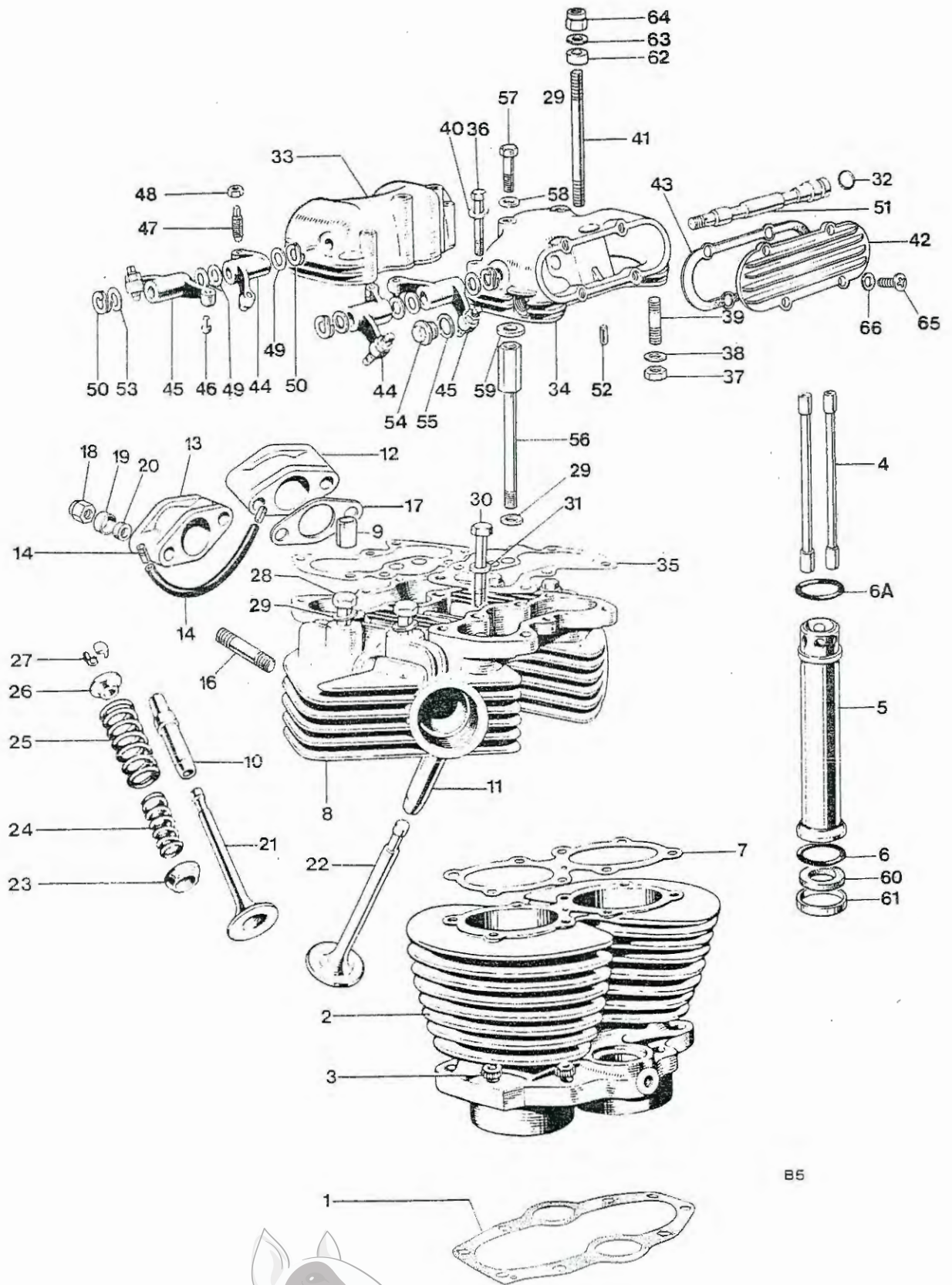
Fig. 7. CYLINDER BLOCK AND HEAD, T120R (LATER MODELS)



CYLINDER BLOCK AND HEAD, T120R (LATER MODELS)

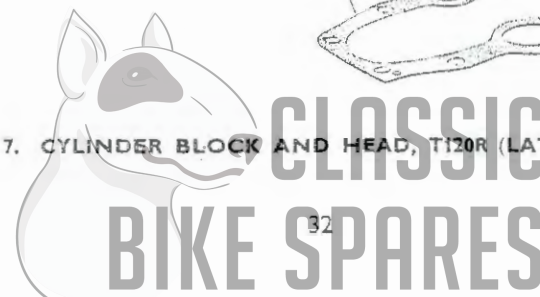
1	E6309	Cylinder base washer	1	
2	E6304	Cylinder block	1	
3	S692	Cylinder base nut	8	
4	E2620	Push rod	4	
5	E12575	Cover tube	2	
6	E7310	"O" ring (bottom)	2	
6A	E11283	"O" ring (top)	2	
7	E4547	Cylinder head gasket	1	
8	E12807	CYLINDER HEAD c/w GUIDES	1	
9	E5347	Sleeve for head bolts passing through inlet tracts		Reference only
10	E3827	Inlet valve guide	2	
11	E3828	Exhaust valve guide	2	
12	E12811	Carburetor adaptor, left	1	
13	E12812	Carburetor adaptor, right	1	
14	E6916	Connector	2	
15	E4792	Balance pipe	1	
16	E12813	Stud	4	
17	E8771	Gasket	2	
18	14-1301	Self-locking nut	4	
19	E9555	Cup	4	
20	E9554	Insulating ring	4	
21	E4603	Inlet valve	2	
22	E2904	Exhaust valve	2	
23	E6439	Bottom cup	4	
24	E4221	Inner valve spring (Red spot)	4	
25	E7400	Outer valve spring (green spot)	4	
26	E1543	Top collar	4	
27	99-0062	Split cotter	8	
28	E327	Cylinder head bolt	4	
29	F2184	Plain washer	4	
30	E4771	Bolt	1	
31	S25-3	Plain washer	1	
32	D3548	Sealing ring	2	
33	E12569	Inlet rocker box	1	
34	E12570	Exhaust rocker box	1	
35	E12599	Joint washer	2	
36	S1875	Rocker box bolt	4	
37	14-0301	Nut	6	
38	E3302	Plain washer	6	
39	14-1401	Rocker box stud	6	
40	S25-13	Plain washer	4	
41	14-1435	Cylinder head stud (for torque stay)	2	
42	E12572	Inspection cover	4	
43	E12574	Joint washer	4	
44	E1457	ROCKER (right exhaust, left inlet)	2	
45	E1458	ROCKER (left exhaust, right inlet)	2	
46	E10070	Rocker ball pin	4	
47	E1513	Rocker adjusting pin	4	
48	E470	Adjuster lock nut	4	
49	E1575	Thrust washer, 1/4 in.	6	
50	E1574	Spring washer	4	





B5

Fig. 7. CYLINDER BLOCK AND HEAD, T120R (LATER MODELS)



CYLINDER BLOCK AND HEAD, T120R (LATER MODELS) (continued)

Ref. No.	Part No.	DESCRIPTION	QUANTITY	REMARKS
51	E1512	Rocker spindle	2	
52	E12361	Dowel, rocker box	4	
53	E1330	Thrust washer, $\frac{3}{8}$ in.	2	
54	E12079	Access plug	4	
55	E12080	Washer	4	
56	E12888	Bolt, cylinder head	4	
57	E12889	Bolt, rocker box	4	
58	D2332	Washer	4	
59	E12598	Spacer	4	
60	E4752	Sealing ring	2	
61	E11707	Sleeve	2	
62	E12597	Distance piece }	2	
63	D2331	Washer } For torque stay	2	
64	14-1303	Nut }	2	
65	14-0103	Screw } Tappet inspection cover	8	
66	D2329	washer }	8	



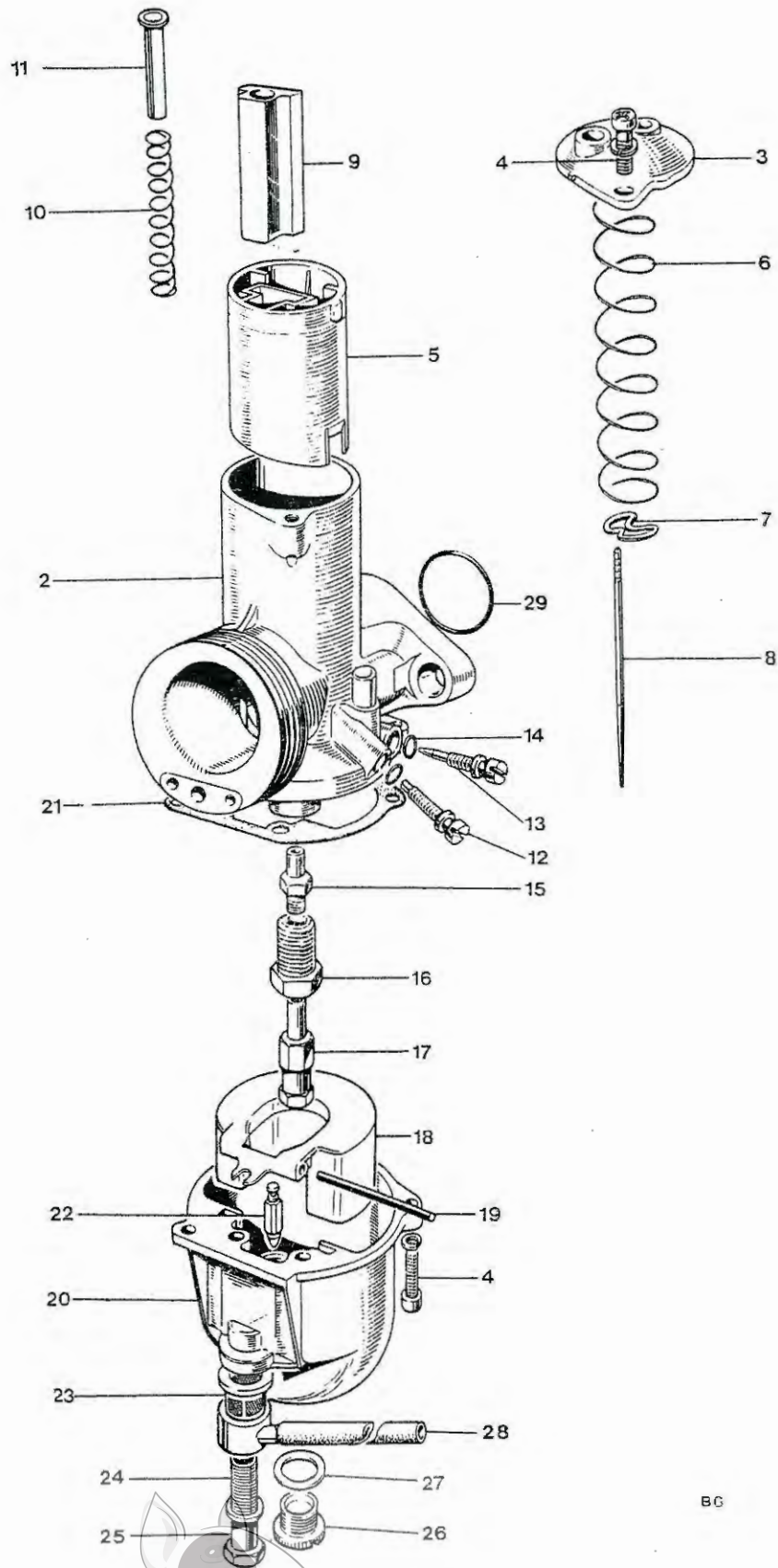
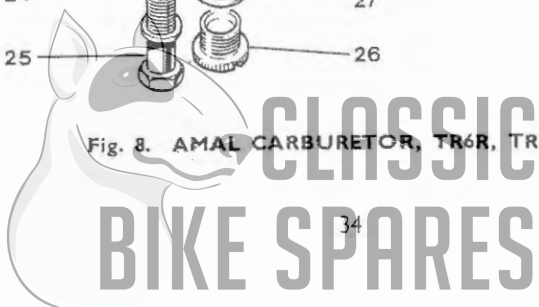


Fig. 8. AMAL CARBURETOR, TR6R, TR6C

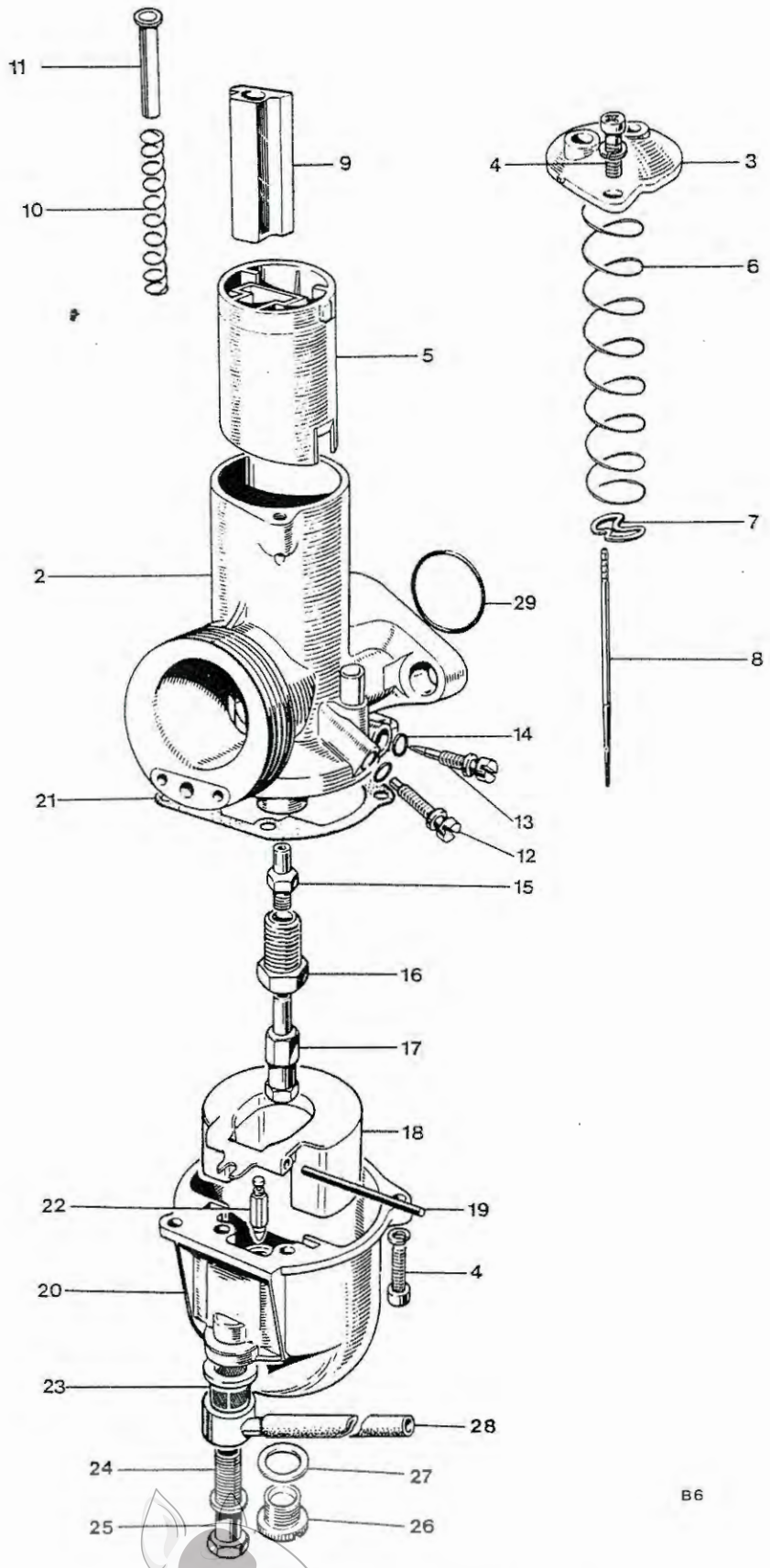
BC



AMAL CARBURETOR TR6R, TR6C

Ref. No.	Part No.	DESCRIPTION	QUANTITY	REMARKS
1	D2183	CARBURETOR (R930/60) less "O" ring	1	
2	Reference only	Mixing chamber (930/005)	1	
3	928/098	Mixing chamber top (99-1032)	1	
4	622/086	Screw (99-0521)	4	
5	928/060	Throttle valve (3½ cutaway) (99-0527)	1	
6	622/131	Throttle return spring (99-1033)	1	
7	622/067	Needle clip (99-0510)	1	
8	622/124	Needle (99-1036)	1	
9	928/062	Air slide (99-0528)	1	
10	622/129	Spring (99-1038)	1	
11	928/103	Air valve guide sleeve (99-1037)	1	
12	622/077	Throttle stop screw (99-0516)	1	
13	622/076	Air adjusting screw (99-0515)	1	
14	622/082	"O" ring (99-0520)	2	
15	622/122	Needle jet (0.106) (99-1035)	1	
16	622/128	Jet holder (99-1034)	1	
17	376/100	Main jet (230) (99-0450)	1	
18	622/069	Float (99-0512)	1	
19	622/071	Float spindle (99-0513)	1	
20	622/055	Float chamber (99-0506)	1	
21	622/073	Joint washer (99-0514)	1	
22	622/068	Needle (99-0511)	1	
23	376/093	Filter (99-0438)	1	
24	622/078	Banjo bolt (99-0517)	1	
25	376/092	Fibre washer (99-0437)	1	
26	622/147	Drain plug (99-1152)	1	
27	622/151	Washer (99-1153)	1	
28	F13507	Petrol pipe	1	
29	E9711	"O" ring	1	





B6

Fig. 9. AMAL CARBURETOR, T120R



AMAL CARBURETOR T120R

1	D3492	CARBURETOR—L.H. (L930/67)	} Less "O" ring	1	} Each carburetor
1	D3491	CARBURETOR—R.H. (R930/66)		1	
2	Reference only	Mixing chamber (L930/005 and R930/005)	1	
3	928/098	Mixing chamber top (99-1032)	1	
4	622/086	Screw (99-0521)	4	
5	928/060	Throttle valve (3 cutaway) (99-0527)	1	
6	622/131	Throttle return spring (99-1033)	1	
7	622/067	Needle clip (99-0510)	1	
8	622/124	Needle (99-1036)	1	
9	928/062	Air slide (99-0528)	1	
10	622/129	Spring (99-1038)	1	
11	928/103	Air valve guide sleeve (99-1037)	1	
12	622/077	Throttle stop screw (99-0516)	1	
13	622/076	Air adjusting screw (99-0515)	1	
14	622/082	"O" ring (99-0520)	2	
15	622/122	Needle jet (0-106) (99-1035)	1	
16	622/128	Jet holder (99-1034)	1	
17	376/100	Main jet (190) (99-0446)	1	
18	622/069	Float (99-0512)	1	
19	622/071	Float spindle (99-0513)	1	
20	622/055	Float chamber (99-0506)	1	
21	622/073	Joint washer (99-0514)	1	
22	622/068	Needle (99-0511)	1	
23	376/093	Filter (99-0438)	1	
24	622/078	Banjo bolt (99-0517)	1	
25	376/092	Fibre washer (99-0437)	1	
26	622/147	Drain plug (99-1152)	1	
27	622/151	Washer (99-1153)	1	
28	F13508	Petrol pipe	1	
29	E9711	"O" ring	2	



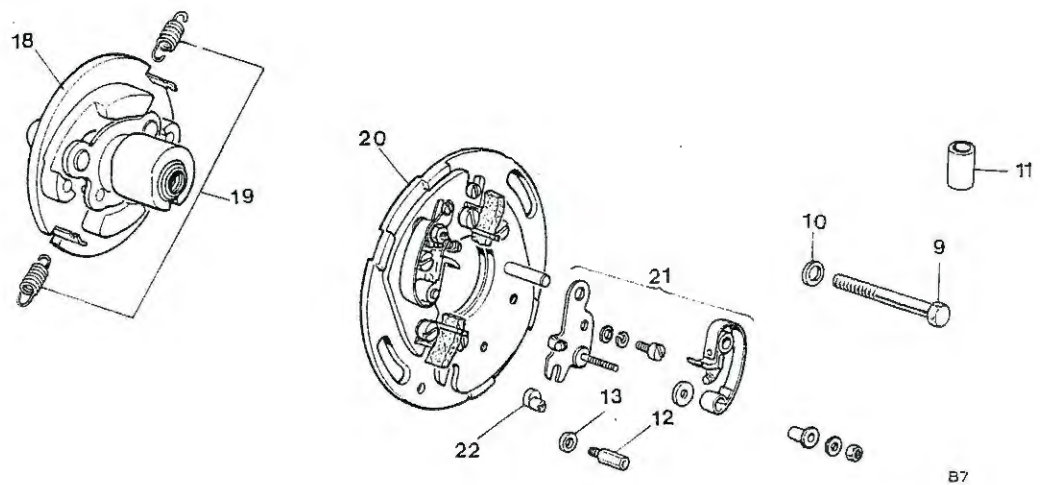
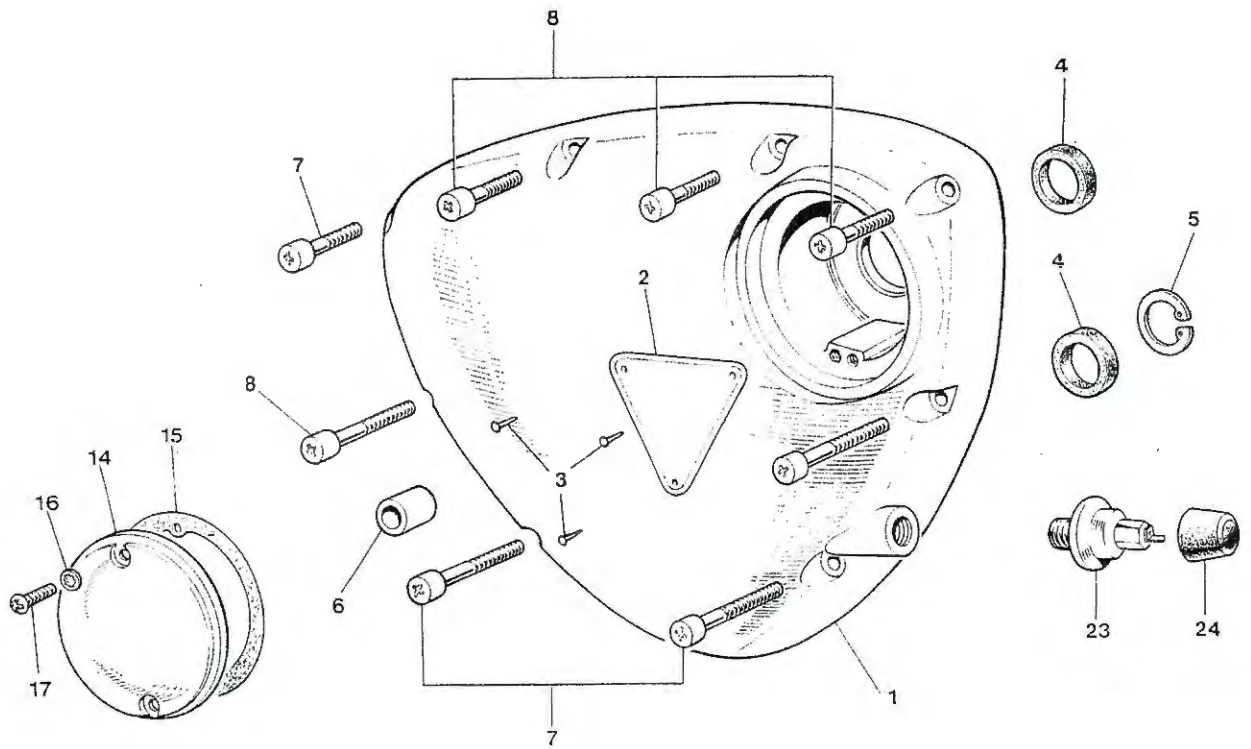


Fig. 10. TIMING COVER AND CONTACT BREAKER

TIMING COVER AND CONTACT BREAKER

1	E9246	Timing cover	1	
2	E4016	Patent plate	1	
3	D208-5	Hammer-drive screw	3	
4	E4568	Oil seal	2	
4	E6387	Oil seal (0.020 in. undersize)		For reground crankshaft
5	E4569	Circlip	1	
6	T989	Hollow dowel	1	
7	14-6609	Screw	3	
8	14-6608	Screw	5	
9	14-0208	Bolt	1	
10	S25-43	Plain washer	1	
11	E4707	Rubber grommet	1	
12	E7680	Pillar bolt	2	
13	E6559	Plain washer	2	
14	E8737	Cover	1	
15	E11462	Joint washer	1	
16	GS299	Serrated washer	2	
17	E7354	Screw (1/2 in. U.H.)	2	
18	54419340	AUTO ADVANCE UNIT (99-0771)	1	
19	54415642	Spring set (99-0757)	1	
20	54419097	CONTACT BREAKER PLATE ASSEMBLY (99-0768)	1	
21	54419827	Contact set (99-0772)	2	
22	54419220	Pin, adjustment (99-0769)	2	
23	D2133	Oil pressure switch	1	
24	D2045	Cover pressure switch	1	
Not illus.	D2138	Timing label for C.B. cover	1	



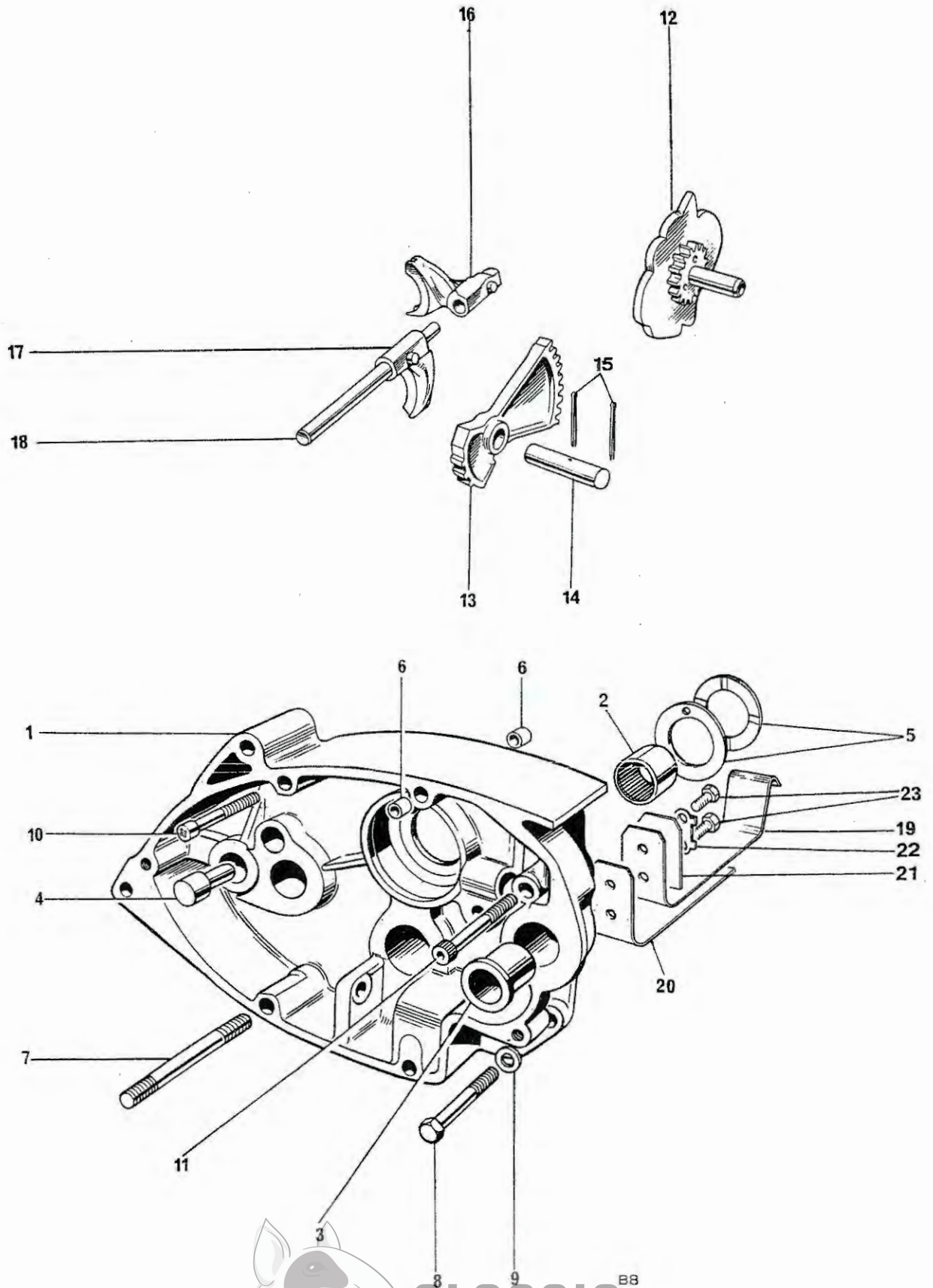


Fig. 9 GEARBOX INNER COVER AND SELECTORS

GEARBOX INNER COVER AND SELECTORS

1	T4293	GEARBOX INNER COVER	1	
2	T1614	Layshaft bearing	1	
3	T412	Gearchange spindle bush...	1	
4	T45	Kickstart stop	1	
5	T1607	Thrust washer	2	
6	T989	Hollow dowel	4	
7	S2149	Stud	2	
8	S1907	Bolt	1	
9	E3446	Washer	1	
10	14-6608	Screw	1	
11	14-7023	Screw	1	
12	T4055	Camplate	1	
13	T397	Operating quadrant	1	
14	T1896	Quadrant spindle	1	
15	—	Split pin ($\frac{5}{8}$ in. \times $1\frac{3}{8}$ in.)	1	Ref. only
16	T4308	Mainshaft selector fork	1	
17	T4307	Layshaft selector fork	1	
18	T3989	Selector fork rod	1	
19	T4288	Leaf spring	1	
20	T4289	Leaf spring support	1	
21	T4290	Leaf spring top plate	1	
22	T4291	Tab washer	1	
23	F4771	Screw	2	



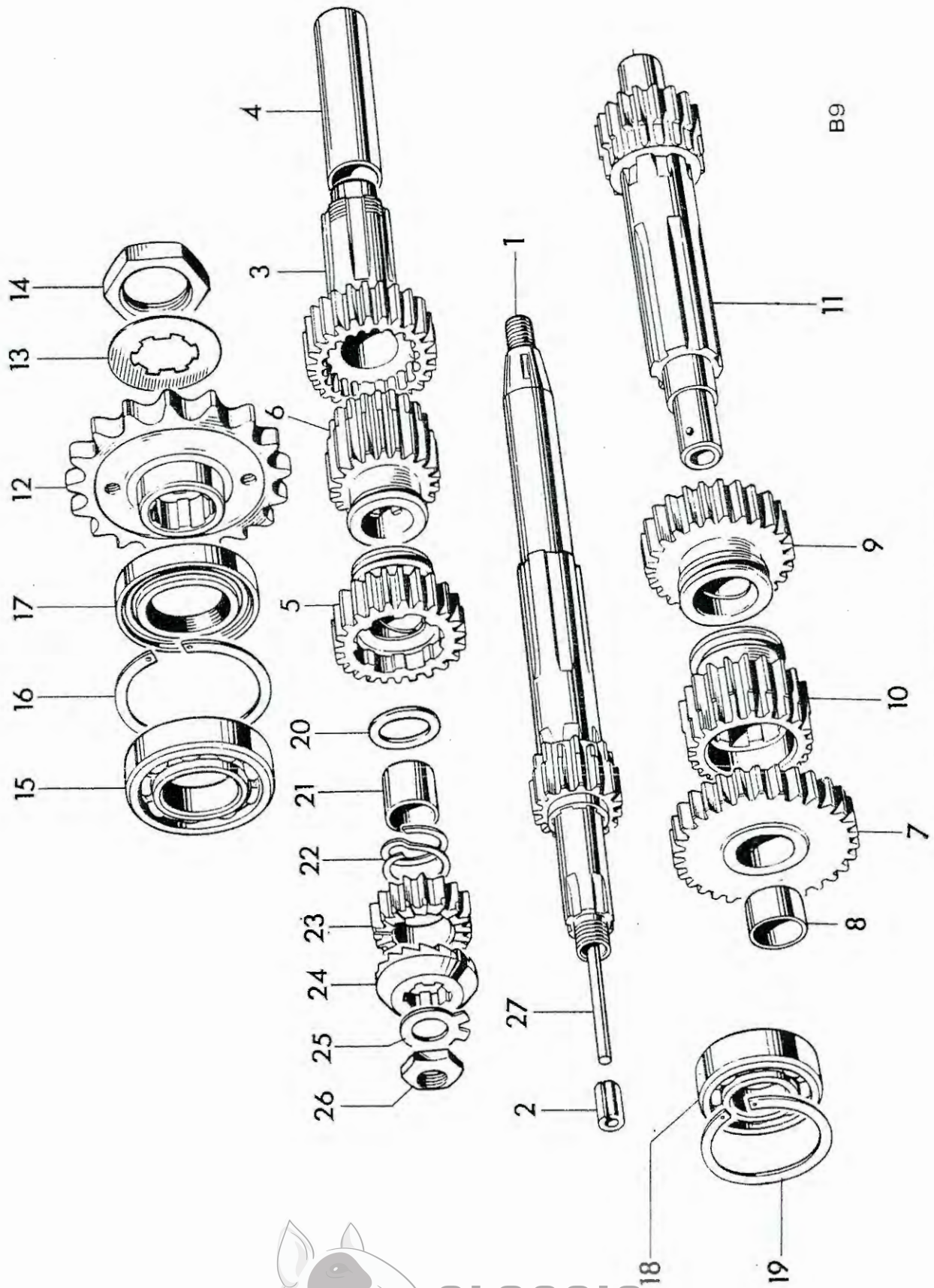


FIG. 12 GEARBOX SHAFTS AND GEARS

GEARBOX SHAFTS AND GEARS

1	T4158	MAINSHAFT c/w LOW GEAR (16T)	1	
2	T3988	Clutch rod bush	1	
3	T4332	MAINSHAFT HIGH GEAR (25T)	1	
4	T1370	High gear bush	1	
5	T3889	Mainshaft third gear (23T)	1	
6	T4335	Mainshaft second gear (20T)	1	
7	T3862	LAYSHAFT LOW GEAR (30T)	1	
8	T928	Low gear bush	1	
9	T3861	Layshaft second gear (26T)	1	
10	T3890	Layshaft third gear (22T)	1	
11	T4345	Layshaft c/w high gear (19T)	1	
12	T1952	Gearbox sprocket (15 teeth)	1	} See pages 4, 5 and 6 for standard sizes
12	T1953	Gearbox sprocket (16 teeth)	1	
12	T1916	Gearbox sprocket (17 teeth)	1	
12	T1917	Gearbox sprocket (18 teeth)	1	
12	T1918	Gearbox sprocket (19 teeth)	1	
12	T1919	Gearbox sprocket (20 teeth)	1	
13	T2116	Tab washer	1	
14	T440	Gearbox sprocket nut	1	
15	D3556	High gear bearing	1	
16	E489	Circlip	1	
17	T946	Oil seal	1	
18	D3552	Mainshaft bearing	1	
19	T4113	Circlip	1	
20	T1962	Plain washer	1	
21	T1963	Pinion sleeve	1	
22	T1250	Pinion spring	1	
23	T730	Kickstarter pinion	1	
24	T731	Kickstarter ratchet	1	
25	T2240	Tab washer	1	
26	S594	Nut	1	
27	T1736	Clutch operating rod	1	

WIDE RATIO GEARS

3	T3657	MAINSHAFT HIGH GEAR (28T)	1	
6	T4161	Mainshaft second gear (19T)	1	
9	T4160	Layshaft second gear (27T)	1	
11	T4159	Layshaft c/w high gear (18T)	1	

CLOSE RATIO GEARS

1	T4173	MAINSHAFT c/w LOW GEAR (18T)	1	
3	T4172	MAINSHAFT HIGH GEAR (24T)	1	
5	T4169	Mainshaft third gear (23T)	1	
6	T4167	Mainshaft second gear (21T)	1	
7	T4163	LAYSHAFT LOW GEAR (28T)	1	
9	T4166	Layshaft second gear (25T)	1	
10	T4168	Layshaft third gear (23T)	1	
11	T4162	Layshaft c/w high gear (22T)	1	

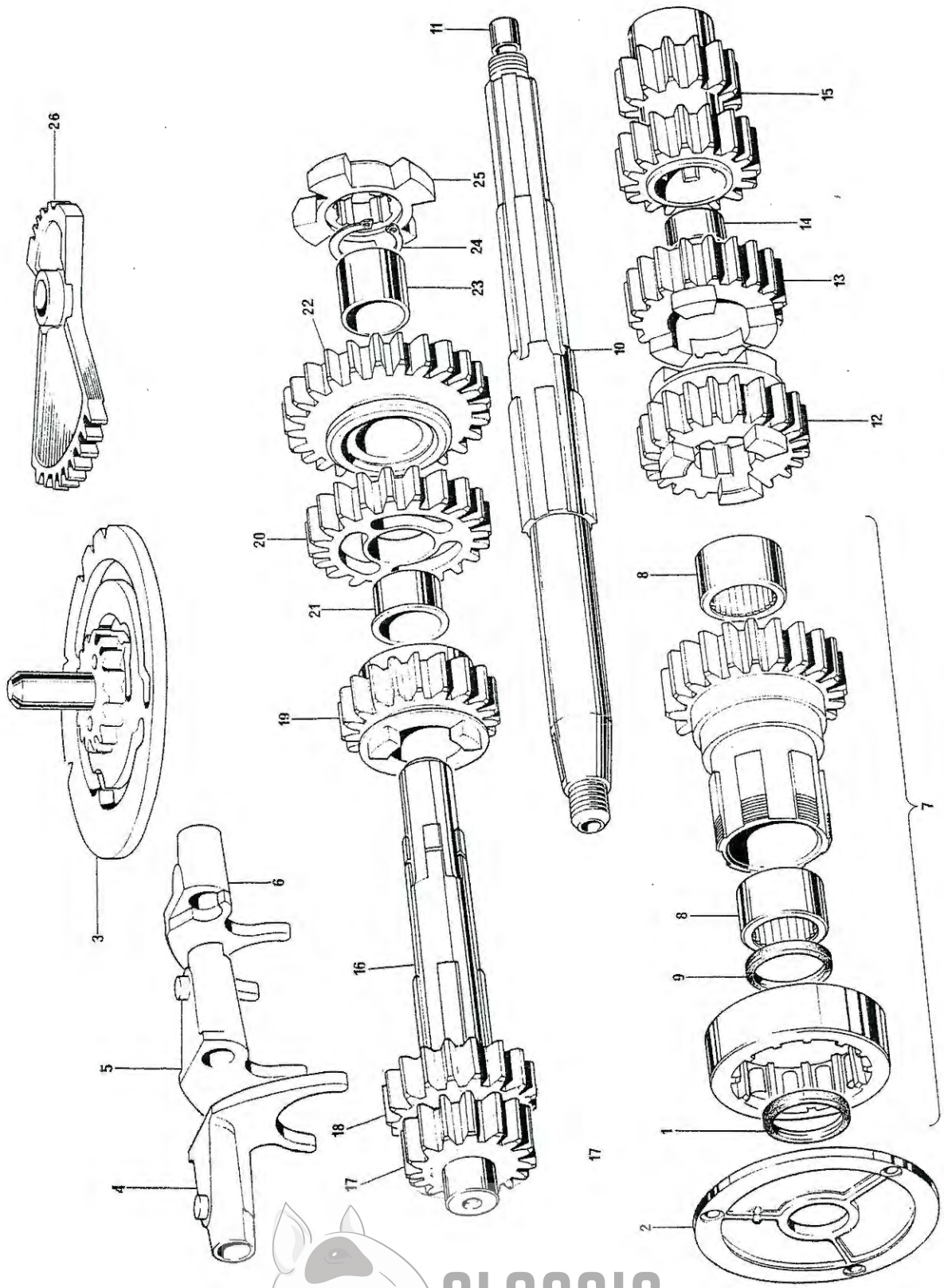


Fig. 13. GEARBOX SHAFTS AND GEARS (5 SPEED)

GEARBOX SHAFTS AND GEARS (5 SPEED)

Ref. No.	Part No.	Description	Quantity	Remarks
1	D3500	Oil seal, cover plate	1	
2	E3789	Cover plate	1	
3	T4360	Gearbox camplate	1	
4	T4364	Selector fork—mainshaft 4th gear	1	
5	T4366	Selector fork—layshaft 3rd gear	1	
6	T4368	Selector fork—layshaft 1st gear	1	
7	T4536	MAINSHAFT HIGH GEAR ASSEMBLY (C/W HIGH GEAR BEARING)	1	
8	D3511	Needle roller bearing	2	
9	D3500	Oil seal, high gear	1	
10	T4432	MAINSHAFT	1	
11	T3988	Bush	1	
12	T4376	Mainshaft 4th gear	1	
13	T4377	MAINSHAFT 3rd GEAR	1	
14	T4379	Bush	1	Reference only
15	T4380	Mainshaft 1st and 2nd gear	1	
16	T4548	LAYSHAFT	1	
17	T4550	Layshaft high gear...	1	Reference only
18	T4384	Layshaft 4th gear	1	Reference only
19	T4387	Layshaft 3rd gear	1	
20	T4388	LAYSHAFT 2nd GEAR	1	
21	T4390	Bush	1	
22	T4391	LAYSHAFT 1st GEAR	1	
23	T4393	Bush	1	
24	D3494	Circlip	1	
25	T4381	Driving dog	1	
26	T4363	Quadrant	1	
Not Illus.	T4402	Leaf spring	1	
	T4374/408	Plunger quadrant	1	
	T4403	Plunger	2	
	T4397	Gearbox sprocket—19T	1	
	T4396	Locknut	1	
	T4395	Lock washer	1	
	D3512	Oil seal, gearbox	1	



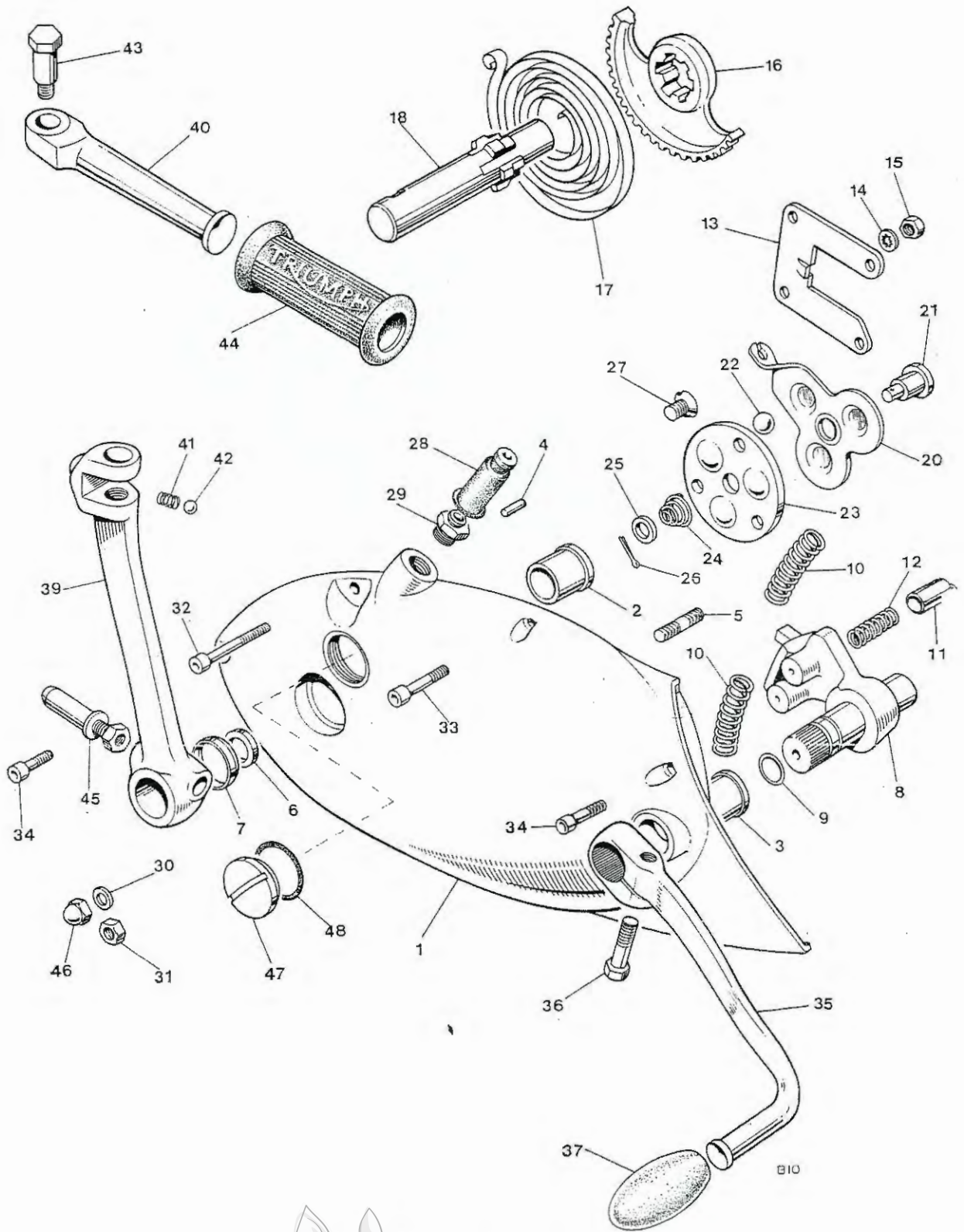


Fig 14. GEARBOX OUTER COVER

GEARBOX OUTER COVER

1	T3760	GEARBOX OUTER COVER	1	
2	T23	Kickstarter spindle bush	1	
3	T57	Gearchange spindle bush	1	
4	T47	Kickstarter spring anchor pin	1	
5	S547	Guide plate stud	4	
6	T1956	Oil seal	1	
7	T1955	Oil seal housing	1	
8	T408/9	Gearchange quadrant	1	
9	D3530	Rubber "O" ring	1	
10	T404	Quadrant return spring	2	
11	T406	Gearchange quadrant plunger	2	
12	T405	Plunger spring	2	
13	T407	Guide plate	1	
14	E1612	Serrated washer	4	
15	14-0301	Nut	4	
16	T4117	Kickstarter quadrant	1	
17	T31	Kickstarter return spring	1	
18	T24A	Kickstarter axle	1	
19	T3629	CLUTCH LEVER ASSEMBLY	1	
20	T4441	Clutch lever	1	
21	T1710	Lever shaft	1	
22	D2368	Ball, $\frac{3}{8}$ in. diam.	3	
23	T3761	Thrust plate	1	
24	T1712	Return spring	1	
25	GS127	Plain washer	1	
26	—	Split pin ($\frac{5}{64}$ in. x $\frac{1}{2}$ in.)	1	Reference only
27	S1879	Countersunk screw	2	
28	T1646	Rubber cover	1	
29	T3762	Abutment for clutch cable	1	
30	S25-3	Plain washer	2	
31	14-0302	Nut	1	
32	S1878	Screw	2	
33	14-6609	Screw	2	
34	14-6608	Screw	1	
35	T3757	Gearchange pedal	1	
36	14-0201	Bolt	1	
37	T2450	Pedal rubber	1	
38	T3632	FOLDING KICKSTARTER	1	
39	T2173	Kickstarter lever	1	
40	T1272	Kickstarter pedal	1	
41	T1167	Pedal locating spring	1	
42	S70-3	Steel ball, $\frac{1}{4}$ in. diam.	1	
43	S541	Pedal bolt	1	
44	T2330	Pedal rubber	1	
45	T4356	Cotter pin c/w nut and washer	1	
46	S544	Domed nut	1	
47	T2166	Filler plug	1	
48	E8782	"O" ring	1	



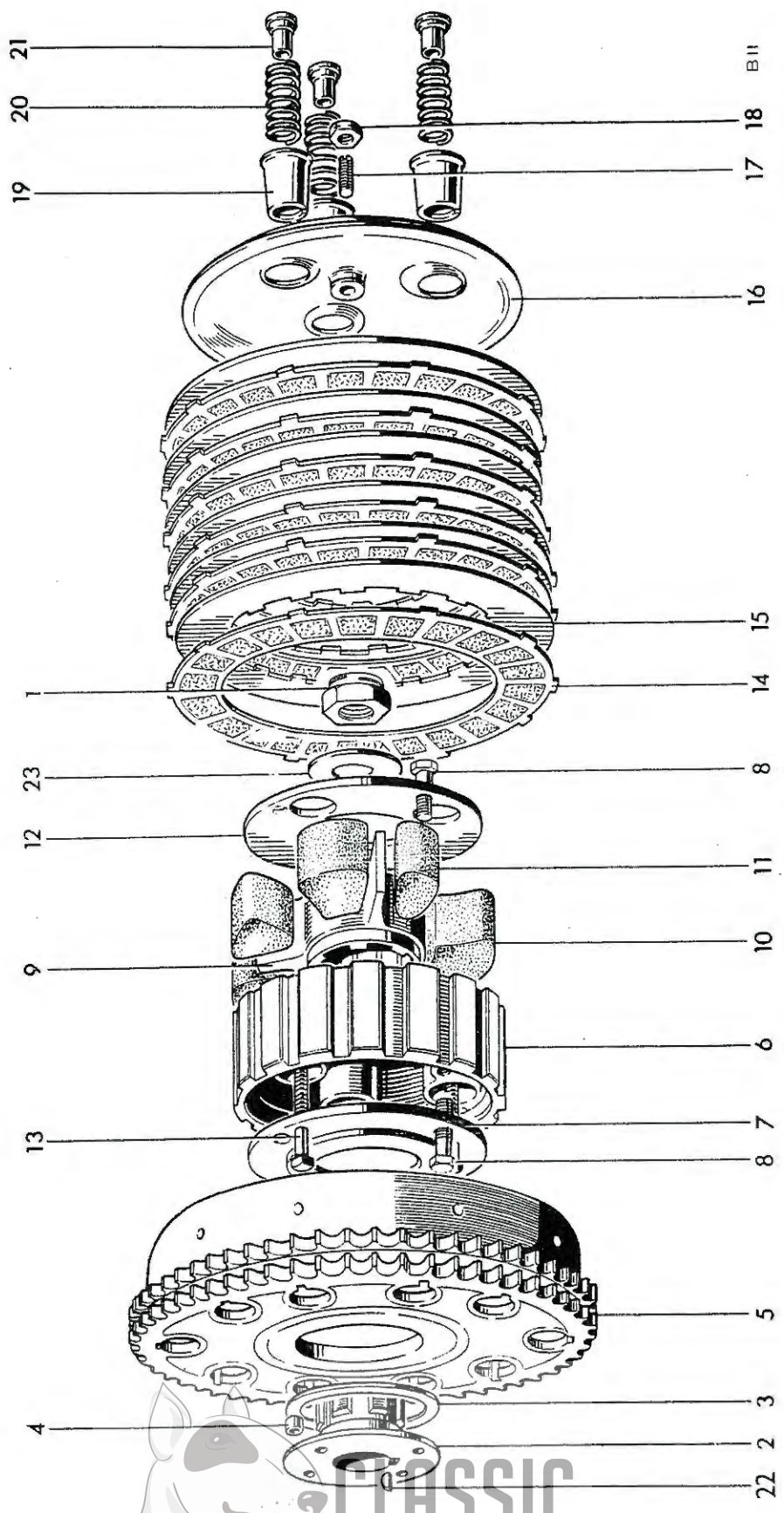
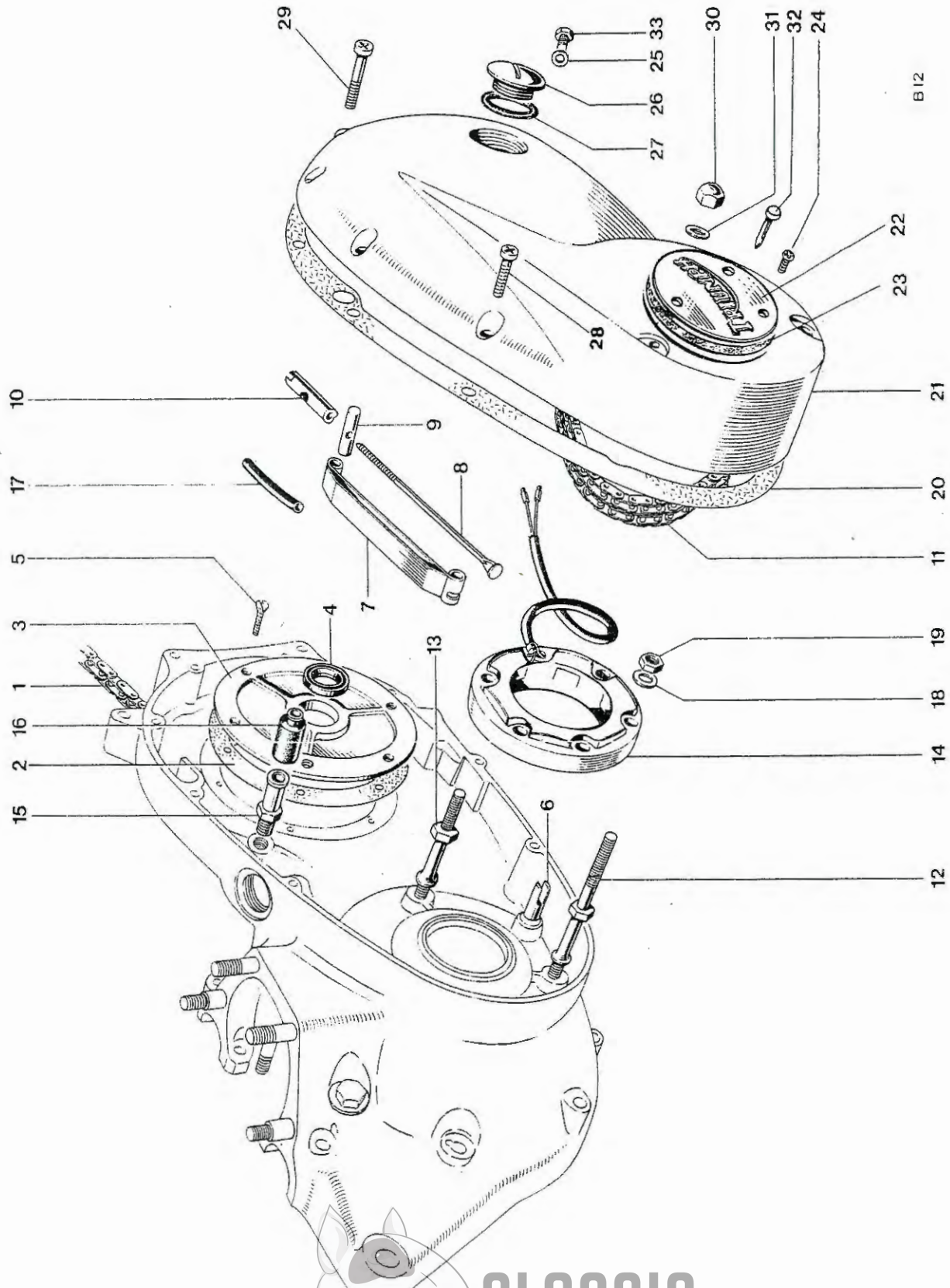


Fig. 15. CLUTCH

CLUTCH

1	S586	Clutch securing nut	1	
2	T3929	Hub	1	
3	T3931	Thrust washer	1	
4	T394	Roller	20	
5	T1570	Sprocket and housing (58 teeth Duplex)	1	
6	T4438	Centre	1	
7	T4436	Inner plate	1	
8	S2157	Bolt	3	
9	T2538	Shock absorber spider	1	
10	T1722	Drive rubber (large)	3	
11	T1723	Rebound rubber (small)	3	
12	T4437	Outer plate	1	
13	T423A	Screwed pin	3	
14	T1362	Driving plate (bonded)	6	
15	T1363	Driven plate	6	
16	T2156	Pressure plate	1	
17	T2159	Adjuster pin	1	
18	14-0403	Nut	1	
19	T1931	Spring cup	3	
20	T1830	Spring	3	
21	T2526	Pressure nut	3	
22	S66-1	Key	1	
23	T2279	Washer	1	





B12

FIG. 16. CHAINCASE AND CHAINS

CLASSIC
BIKE SPARES

CHAINCASE AND CHAINS

Ref. No.	Part No.	DESCRIPTION	QUANTITY	REMARKS
1	D1915	Rear chain, $\frac{5}{8}$ in. x $\frac{3}{8}$ in. x 106 links	1	
2	E11419	Joint washer	1	
3	E7037	Cover plate	1	} Not 5 speed models
4	E7565	Oil seal	1	
5	E3821	Countersunk screw	6	
6	E5976	Chain tensioner abutment	1	
				(also listed with crankcase group)
7	E6061	Chain tensioner blade... ..	1	
8	E4152	Tie rod	1	
9	E5977	Trunnion	1	
10	E9703	Adjuster sleeve nut	1	
11	D477	Primary chain, $\frac{3}{8}$ in. Duplex x 84 links	1	
12	S1866	Stator stud	2	
13	S1867	Stator stud	1	
14	47205	Stator, RM21 (99-1006)	1	
15	E9360	Sleeve nut	1	
16	E4144	Rubber grommet	1	
17	E5449	Plastic sleeve	1	
18	S25-3	Plain washer	3	
19	14-0702	Self-locking nut	3	
20	E11463	Joint washer	1	
21	E9245	Chaincase	1	
22	T2440	Rotor cover	1	
23	E11457	Joint washer	1	
24	F4129	Screw	3	
25	E2441	Copper washer	1	
26	T2166	Filler plug	1	
27	E8782	"O" ring	1	
28	14-6608	Screw	6	
29	14-6620	Screw	2	
30	S544	Domed nut	2	
31	F1880	Copper washer	2	
32	T2443	Timing pointer	1	
33	14-6101	Level plug	1	



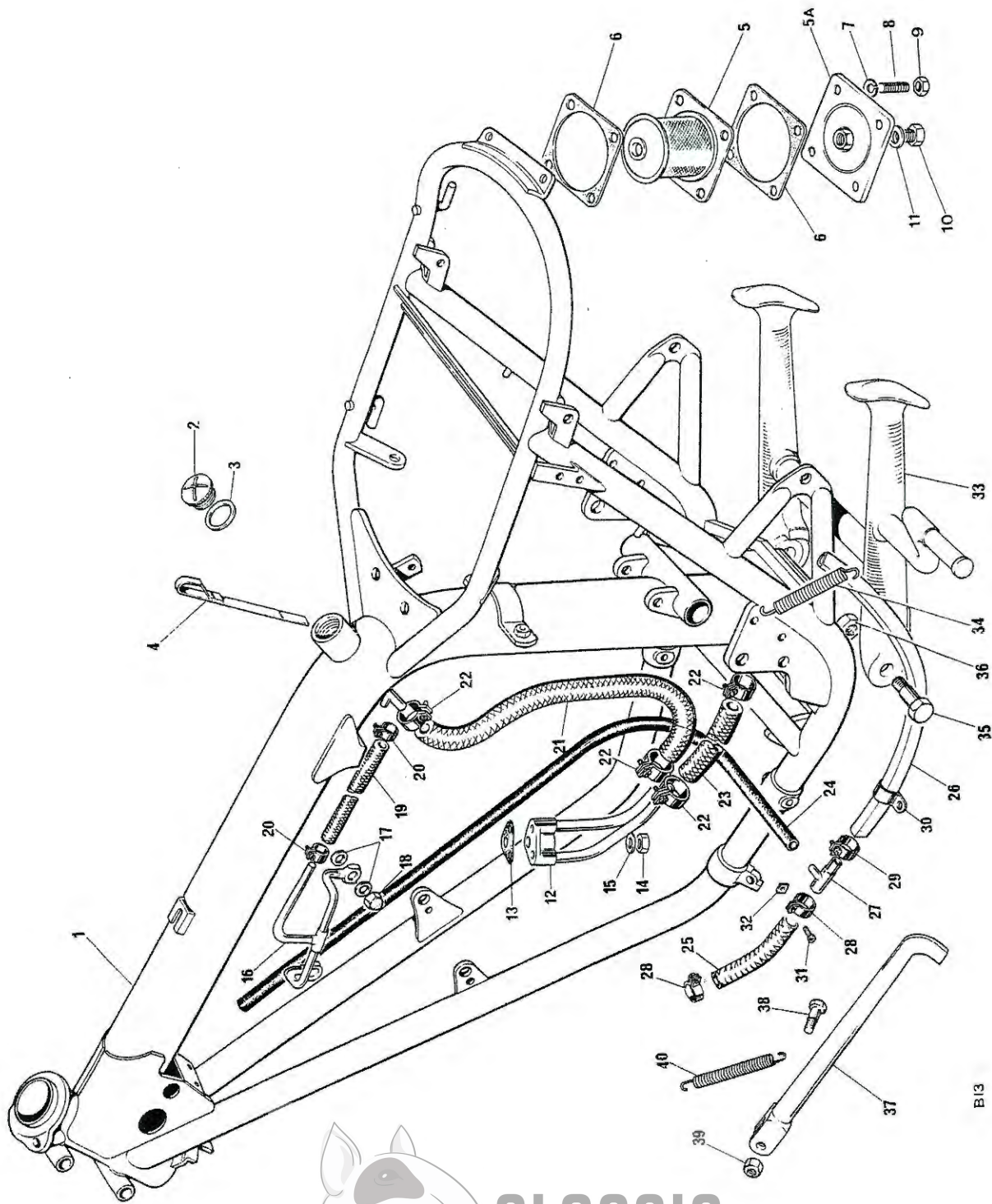


Fig. 17. FRAME

B13

FRAME

1	F14283	Frame	1	
2	E12744	Oil filler cap	1	
3	D3616	"O" ring	1	
4	F13142	Dipstick	1	
5	F13642	Oil filter	1	
5A	F13185	Sump plate	1	
6	F12829	Gasket	2	
7	D2330	Washer	4	} Sump plate to frame
8	S2109	Stud	4	
9	14-1302	Nut	4	
10	14-0113	Drain plug	1	
11	E12505	Joint washer	1	
12	E6930	Oil junction block	1	
13	E11458	Joint washer	1	
14	S1908	Nut	1	} Junction block to crankcase
15	E3446	Washer		
16	E12428	Rocker oil pipe	1	
17	E1335	Washer	4	
18	E1435	Nut	4	
19	E12337	Rocker feed pipe	1	
20	D3524	Clip—rocker feed pipe	2	
21	E12345	Oil return pipe	1	
22	E6848	Clip—feed and return pipes	4	
23	E12347	Oil feed pipe	1	
24	E12349	Oil vent pipe	1	
25	E11149	Crankcase breather pipe—front	1	
26	F11614	Crankcase breather pipe—rear	1	
27	F11610	"T" piece	1	
28	D2253	Clip—breather pipe—front	2	
29	D2252	Clip—breather pipe—rear	1	
30	F11615	Clip—breather pipe to fender	4	
31	H3894	Screw	4	
32	F4717	Nut	4	
33	F12627	Centre stand	1	
34	F13793	Spring	1	
35	S2077	Pivot bolt	2	
36	14-1304	Nut	2	
37	F11560	Prop stand	1	
38	F7021	Bolt	1	
39	14-1303	Nut	1	
40	F8382	Spring	1	
Not illus.	D3361	Transfer "Made in England"	1	
Not illus.	D2452	Transfer—Safety Standards	1	
Not illus.	14-0114	Bolt	1	} Prop stand stop
Not illus.	14-0402	Nut	1	



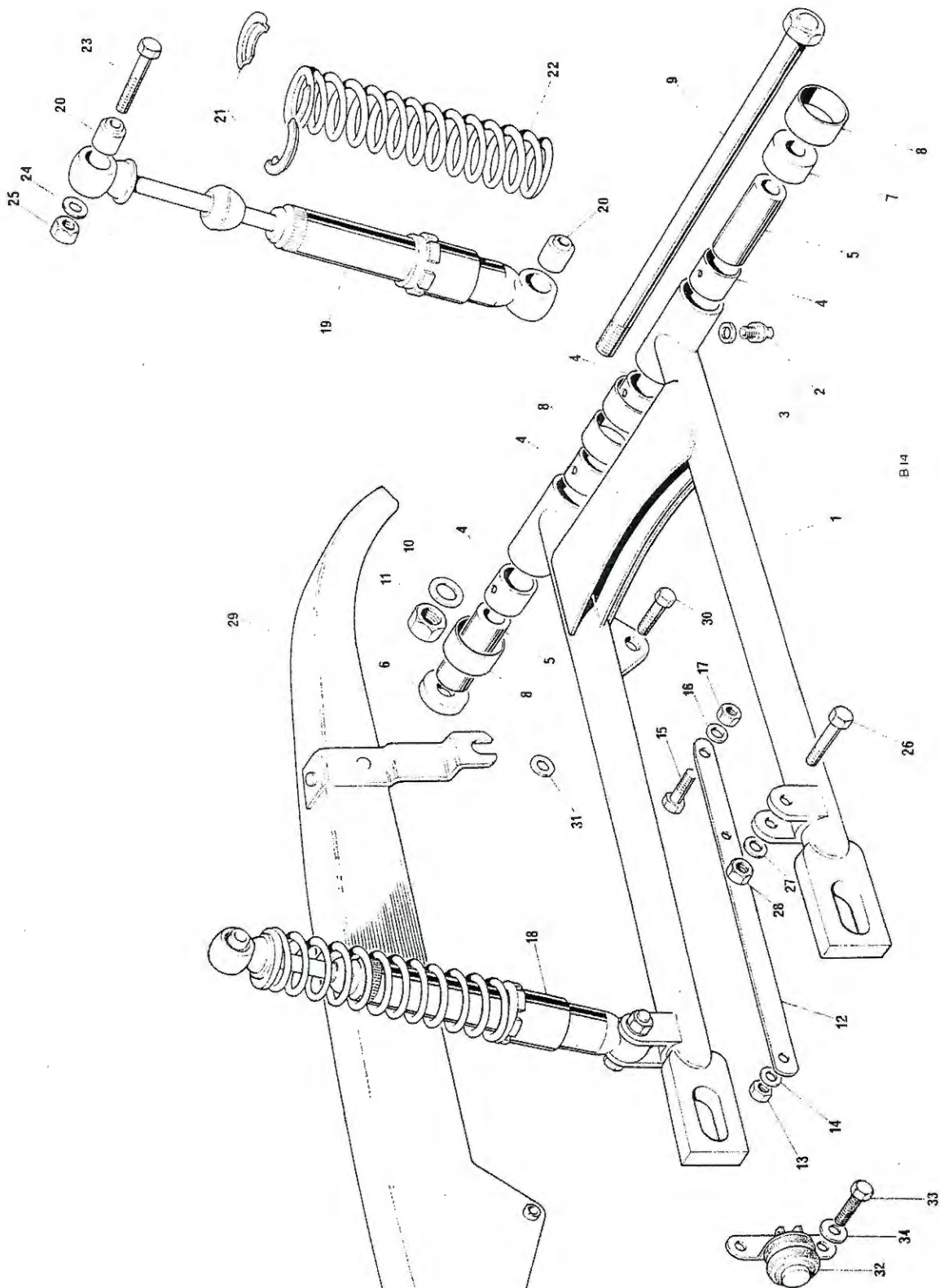
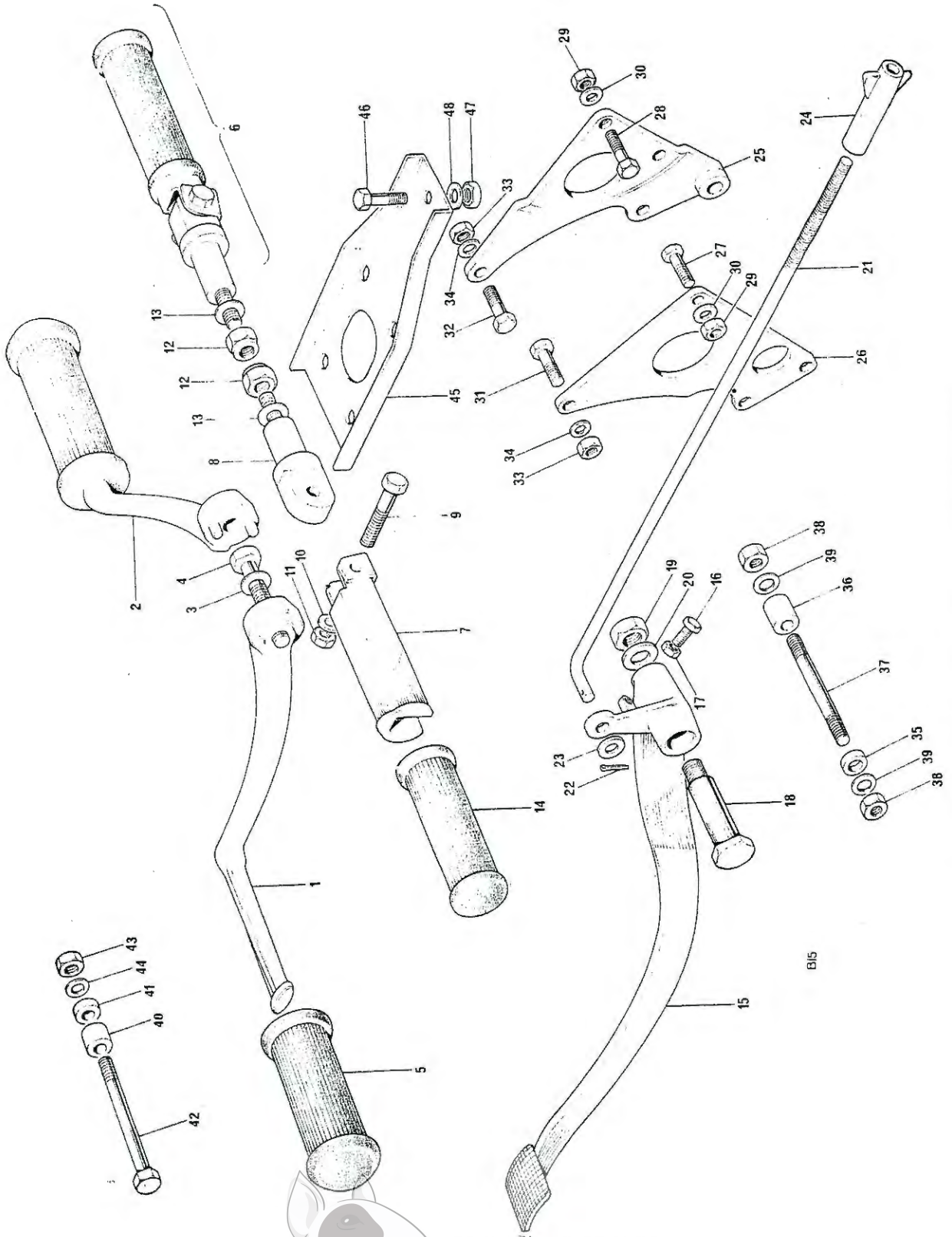


Fig. 18. SWINGING FORK AND SUSPENSION UNITS

SWINGING ARM AND SUSPENSION UNITS

Ref. No.	Part No.	Description	Quantity	Remarks
1	F12513	SWINGING ARM	1	
2	D1841	Grease nipple	2	
3	WE170	Washer, grease nipple	2	
4	F12521	Bush, pivot arm	4	
5	F12691	Sleeve, swinging arm pivot	2	
6	F12690	Distance piece R.H.	1	
7	F12689	Distance piece L.H.	1	
8	F12692	Dirt excluder	4	
9	S2087	Stud, swinging arm pivot	1	
10	F12266	Washer, swinging arm pivot	2	
11	14-1307	Nut, swinging arm pivot	1	
12	F12656	Brake torque stay	1	
13	14-1304	Nut, torque stay to brake plate	1	
14	D2350	Washer, torque stay to brake plate	1	
15	14-0133	Bolt, torque stay to swinging arm	1	
16	W2330	Washer, torque stay to swinging arm	1	
17	14-1304	Nut, torque stay to swinging arm	1	
18	64052341	SUSPENSION UNIT (D2294)	2	
19	64052090	Damper unit	Reference only	
20	64533645	Bonded bush (99-0122)	4	
21	9054/171	Spring retainer (99-0107)	4	
22	64544754	Spring, 110 lbs. chrome (99-1139)	2	
23	14-0235	Bolt, damper—top	2	(1 off TR6C)
23	S1997	Stud, damper—top L.H.	1	(TR6C)
24	D2331	Washer, damper—top	2	(3 off TR6C)
25	14-1303	Nut, damper—top	2	(3 off TR6C)
26	14-0234	Bolt, damper, lower	2	
27	D2321	Washer damper lower	2	
28	14-1303	Nut damper lower	2	
29	F12641	Chainguard	1	
30	14-0206	Bolt, chainguard fixing—front	1	
31	D2347	Washer, chainguard fixing—front	1	
32	34815	Stop lamp switch—118SA (99-1028)	1	
33	D3550	Screw	2	
34	H1388	Washer	2	



B15

Fig. 19. MOTOR UNIT FITTING AND FOOTRESTS

MOTOR UNIT FITTINGS AND FOOTRESTS

Ref. No.	Part No.	Description	Quantity	Remarks
1	F12855	Footrest—L.H. ...	1	
2	F12854	Footrest—R.H. ...	1	
3	14-0259	Bolt ...	2	
4	D2333	Washer ...	2	
5	F9279	Footrest rubber ...	2	
6	F12841	PILLION FOOTREST ...	2	
7	F9053	Pedal ...	1	
8	F13207	Hanger bolt ...	1	
9	14-0217	Bolt ...	1	
10	F9089	Washer } Footrest swivel ...	1	
11	14-1302	Nut } ...	1	
12	14-1303	Nut } Footrest to frame ...	1	
13	F2184	Washer } ...	1	
14	F9054	Footrest rubber ...	1	
15	F12666	Rear brake pedal ...	1	
16	14-0103	Screw } Stop light adjustment ...	1	
17	14-0301	Nut } ...	1	
18	S2045	Pivot pin ...	1	
19	14-1303	Nut ...	1	
20	E8084	Washer ...	1	
21	F12860	Rear brake operating rod ...	1	
22	—	Split pin ($\frac{1}{16}$ in. x $\frac{3}{8}$ in.) ...	1	Reference only
23	F14277	Distance piece ...	1	
24	F7387	Adjuster nut—brake rod ...	2	
25	F13024	Rear motor plate R.H. ...	1	
26	F13023	Rear motor plate—L.H. ...	1	
27	14-0115	Bolt ...	5	
28	14-0116	Bolt } Rear motor plates to frame ...	1	
29	14-1302	Nut } ...	6	
30	D2330	Washer } ...	12	
31	14-0220	Bolt } Motor to motor plates ...	2	
32	14-0221	Bolt } ...	2	
33	14-1302	Nut } ...	4	
34	D2321	Washer } ...	8	
35	F12846	Distance piece—L.H. } Motor to frame centre bottom ...	1	
36	F12847	Distance piece—R.H. } ...	1	
37	S2112	Stud } ...	1	
38	14-1304	Nut } ...	2	
39	D2332	Washer } ...	2	
40	F12848	Distance piece—L.H. } ...	1	
41	F12849	Distance piece—R.H. } ...	1	
42	14-0254	Bolt } Motor fixing front ...	1	
43	14-1304	Nut } ...	1	
44	D2332	Washer } ...	1	
45	F13537	Steady bracket motor to frame ...	1	
46	14-0126	Bolt } Bracket to frame ...	1	
47	14-1303	Nut } ...	1	
48	D2331	Washer } ...	1	
Not illus	S1933	Extended nut (used with 14-0220) ...	1	(TR6c only)
Not illus	14-1305	Nut } Footrest bolt ...	2	
Not illus	F13602	Collar } ...	2	



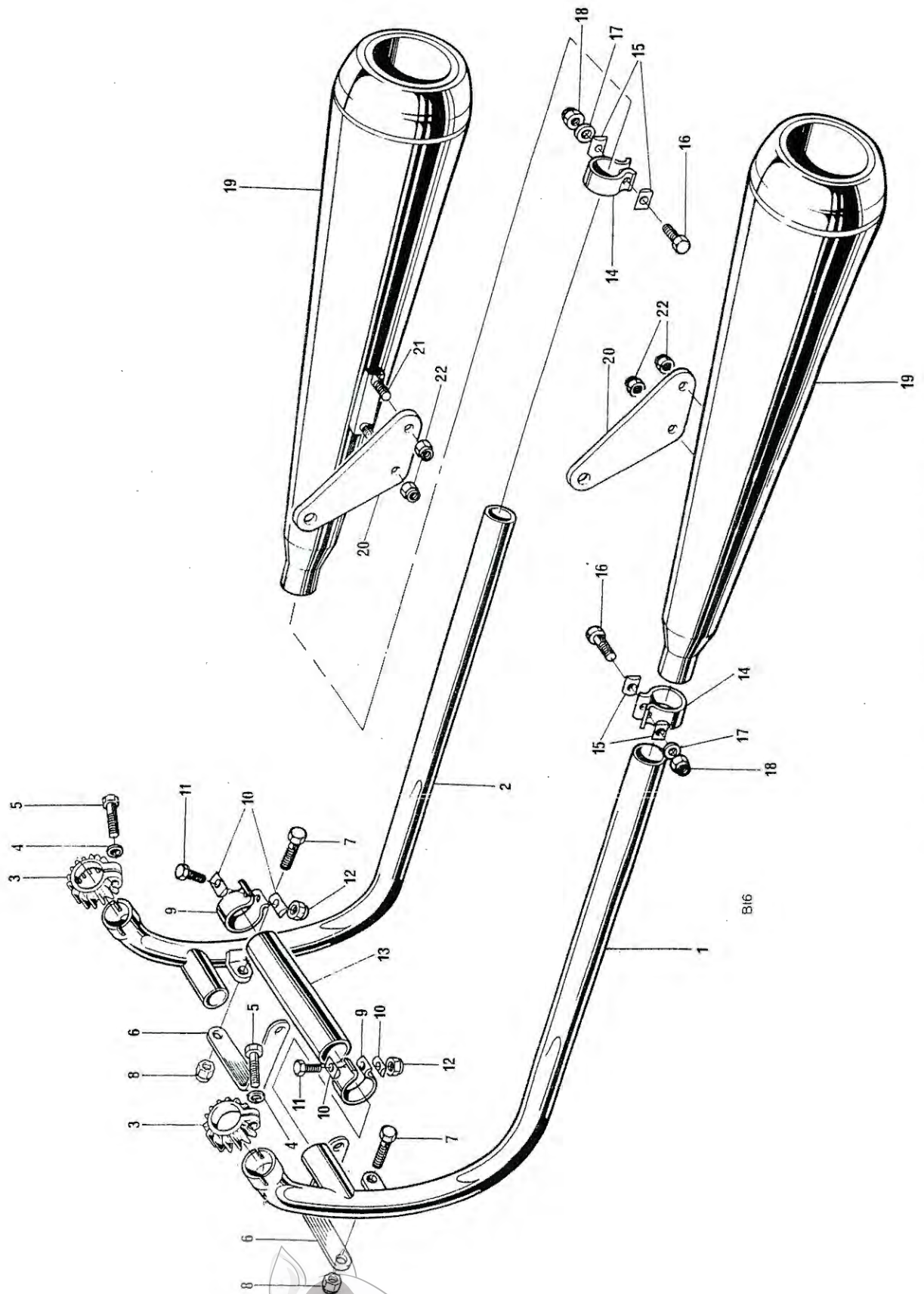


Fig. 20. EXHAUST PIPES AND MUFFLERS

EXHAUST PIPES AND MUFFLERS, TR6R, T120R

Ref. No.	Part No.	Description	Quantity	Remarks
1	E12636	Exhaust pipe—L.H.	1	} Later models
2	E12637	Exhaust pipe—R.H.	1	
3	E12465	Finned clip	2	
4	F8978	Washer	2	
5	F8977	Bolt	2	
6	E6857	Exhaust pipe stay	2	
7	E6179	Screw	2	} Exhaust pipes to cylinder head
8	E7471	Nut	2	
9	E7512	Clip	2	
10	E3768	"D" washer	4	
11	14-0217	Bolt	2	
12	14-1202	Nut	2	
13	E9888	Coupling pipe	1	} Exhaust pipes to coupling pipe
14	E2271	Clip	2	
15	E3768	"D" washer	4	
16	14-0219	Bolt	2	
17	S25-3	Washer	2	
18	14-1302	Nut	2	
19	E12382	Muffler	2	} Exhaust pipes to mufflers
20	E12282	Hanger—muffler and pillion footrest	2	
21	14-0101	Bolt	4	
22	14-1301	Nut	4	
		Muffler to hanger	4	
			4	

*EARLIER MODELS USE THE FOLLOWING:—

1	E12753	Exhaust pipe—L.H.	1
2	E12756	Exhaust pipe—R.H.	1
3	E10216	Finned Clip	2
4	E8860	Spherical washer	2
5	E6744	Bolt...	2



EXHAUST PIPES, MUFFLERS AND FOLDING FOOTRESTS, TR6C

Ref. No.	Part. No.	Description	Quantity	Remarks
1	E12334	Exhaust pipe—lower	1	} Later models
2	E12632	Exhaust pipe—upper	1	
3	E12465	Finned clip	2	
4	F8977	Bolt	2	
5	F8978	Washer	2	
6	E13250	Exhaust pipe stay	1	
7	14-0113	Bolt	3	
8	S26-3	Spring washer	3	
9	E7299	Clip—upper	1	} Exhaust pipes to connector
10	E5874	Clip—lower	1	
11	14-0116	Bolt	1	
12	14-0219	Bolt	1	
13	E3768	"D" washer	2	
14	S26-3	Spring washer	1	
15	14-1202	Nut	1	
16	E9673	Connector	1	
17	E2271	Clip	2	} Connector to mufflers
18	14-0219	Bolt	2	
19	E3768	"D" washer	4	
20	S26-3	Spring washer	2	
21	14-1202	Nut	2	
22	E12019	Muffler—upper	1	
23	E12020	Muffler—lower	1	
24	E12511	Muffler—hanger	1	
25	S1822	Bolt	2	} Mufflers to hanger
26	S26-3	Spring washer	2	
27	14-0115	Bolt	1	} Hanger to frame
28	S26-3	Spring washer	1	
29	S1933	Spacer nut	1	
30	E9680	Leg guard	1	
31	S1953	Screw	1	} Leg guard attachment front
32	E9857	Washer	1	
33	E9688	Clip	1	
34	E9696	Bracket	1	} Leg guard attachment rear
35	S1954	Screw	1	
36	E9857	Washer	1	
37	E9688	Clip	1	
38	E12851	Crankcase undershield...	1	
39	S2096	Hooked stud	2	
40	14-1301	Nut	2	
41	D2320	Washer	2	



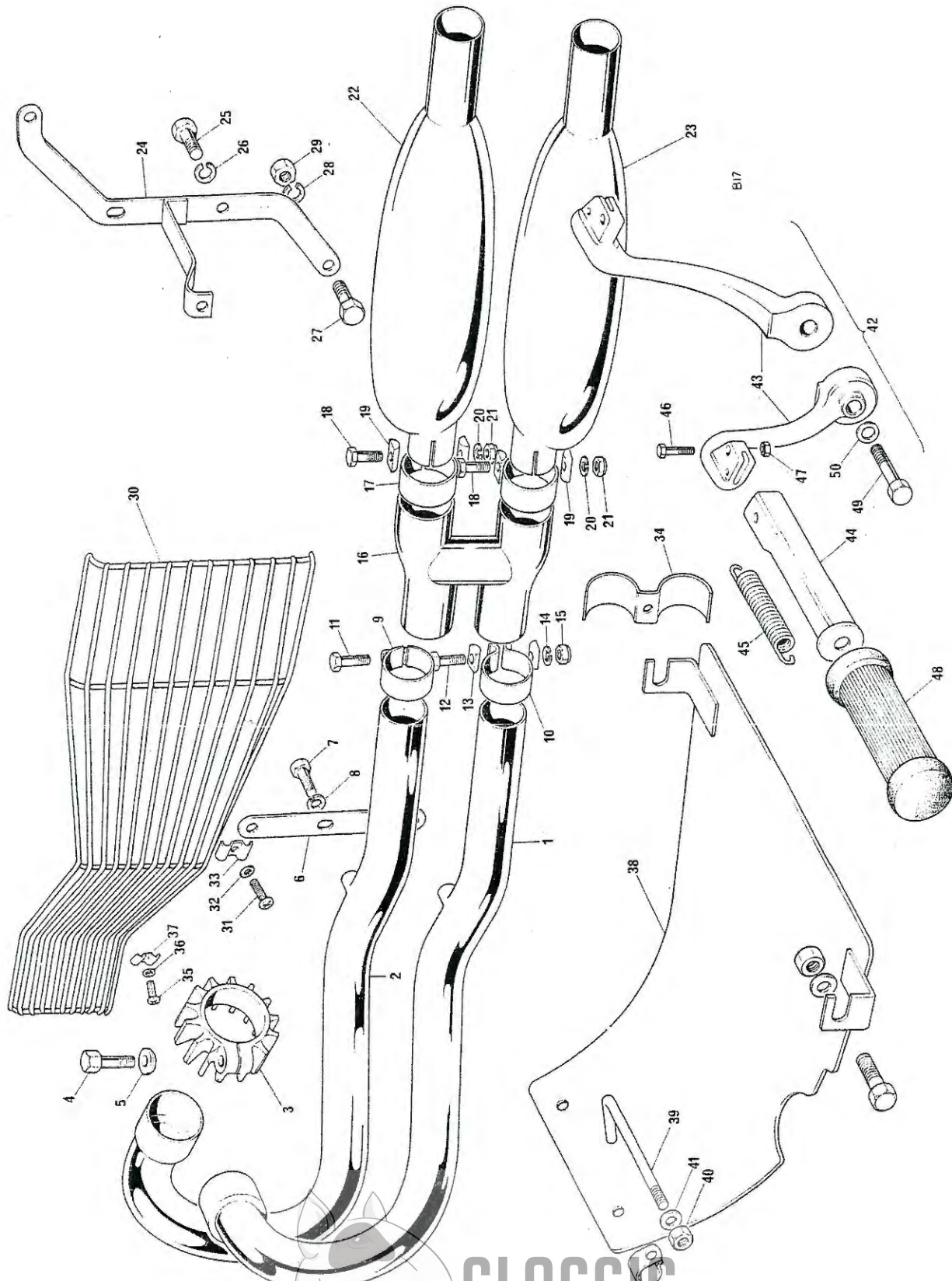


FIG. 21. EXHAUST PIPES AND MUFFLERS, TR6C

EXHAUST PIPES, MUFFLERS AND FOLDING FOOTRESTS, TR6C

Ref. No.	Part No.	Description	Quantity
42	F13139	FOLDING FOOTREST—R.H.	1
42	F12856	FOLDING FOOTREST—L.H.	1
43	F13140	Footrest hanger—R.H.	1
43	F12858	Footrest hanger—L.H.	1
44	F13092	Footrest pedal	1
45	F13095	Spring	1
46	14-0216	Bolt	1
47	14-1302	Nut	1
48	F9051	Footrest rubber	1
49	S1969	Bolt	2
50	F8243	Washer	
		} Footrest to frame	2

EARLIER MODELS USE THE FOLLOWING:—

1	E11900	Exhaust pipe—lower	1
2	E11901	Exhaust pipe—upper	1
3	E10216	Finned clip	2
4	E6744	Bolt	2
5	E8860	Spherical washer	2
6	E6978	Exhaust pipe stay	1



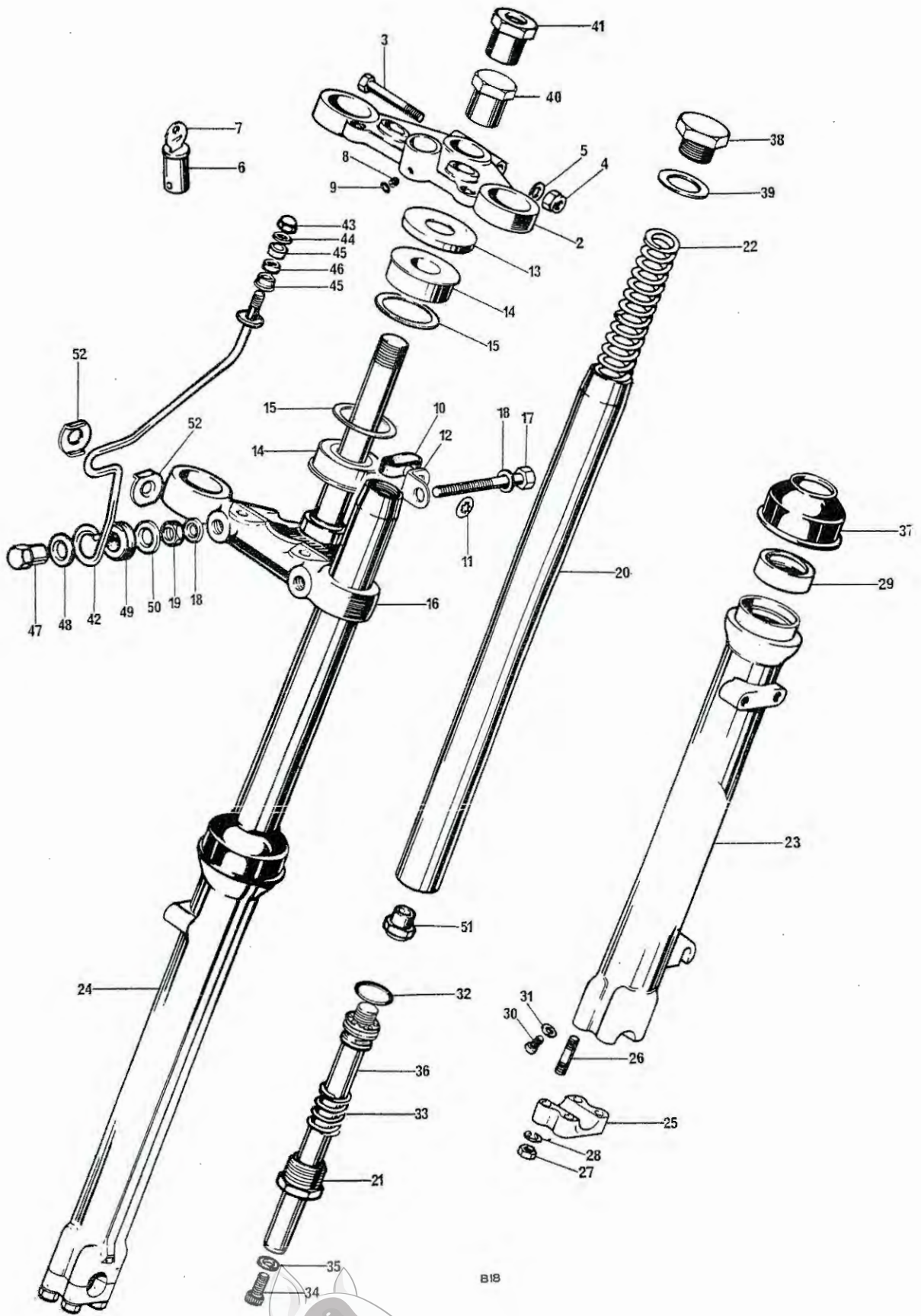


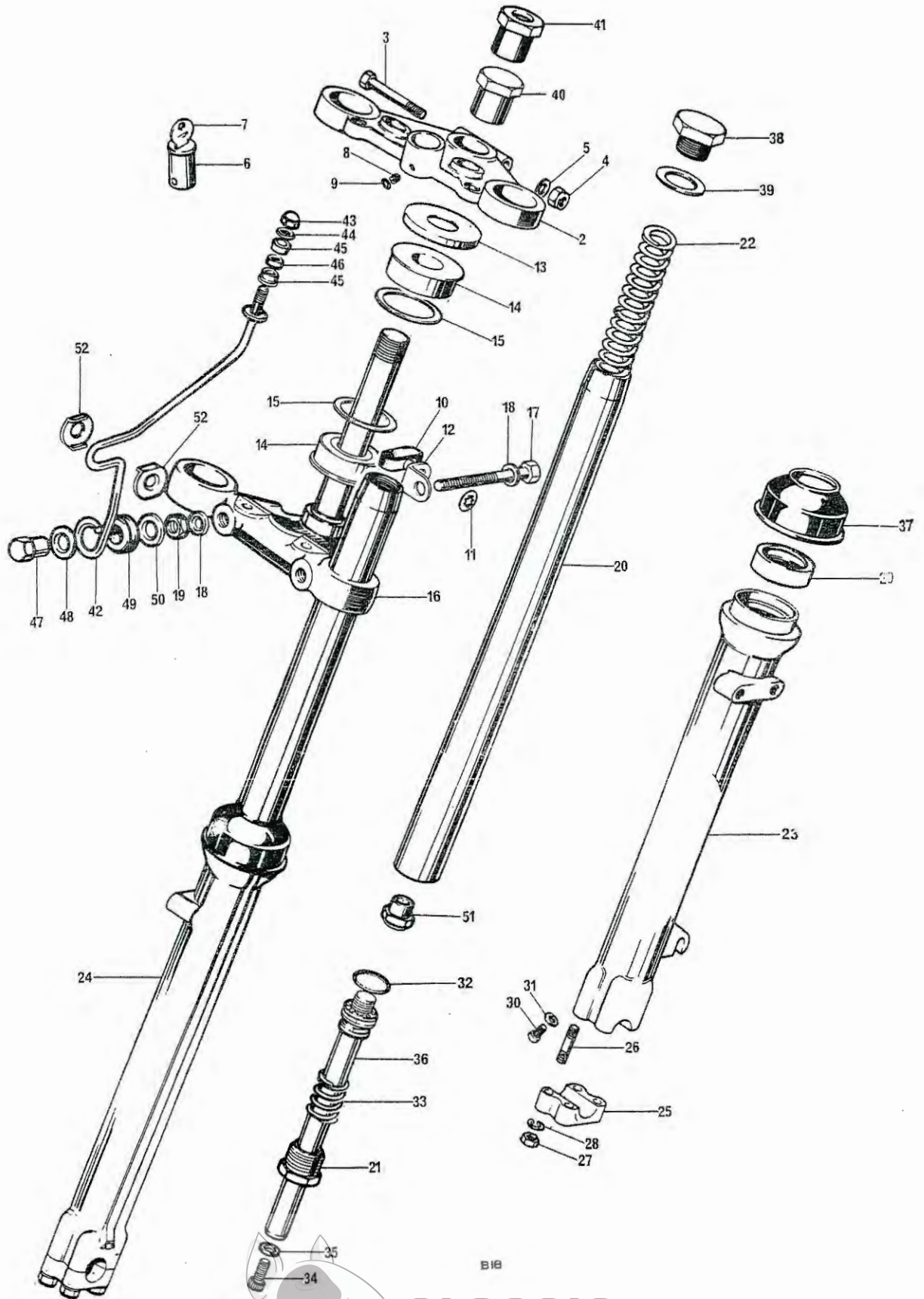
Fig. 22. TELESCOPIC FRONT FORK

CLASSIC
64
BIKE SPARES

TELESCOPIC FRONT FORK

Ref. No.	Part No.	DESCRIPTION	QUANTITY	REMARKS
1	H4080	FORK ASSEMBLY	1	
2	H4035	Top Yoke	1	
3	14-0234	Pinch Bolt	1	
4	14-1303	Nut	1	
5	E8084	Washer	1	
6	F6738	Lock c/w 2 keys	1	
7	D623	Key (state serial No.)	1	
8	S578	Grub screw	1	
9	H2266	Sealing washer	1	
10	H2270	Brake cable retainer	1	
11	F8245	Starlock washer	1	
12	H3682	Retaining bracket	1	
13	F12007	Abutment ring	2	
14	H4031	Taper roller bearing	2	
15	H4028	Dust cover	2	
16	H4315	Bottom yoke and stem	1	
17	14-0238	Pinch bolt	2	
18	E8084	Washer	4	
19	14-1303	Nut	2	
20	H4007	Stanchion	2	
21	H4076	End plug	2	
22	H4087	Main spring	2	
23	H4343	OUTER MEMBER—R.H.	1	
24	H4342	OUTER MEMBER—L.H.	1	
25	H3947	Cap wheel spindle	2	
26	S2102	Stud	8	
27	14-0302	Nut	8	
28	D2428	Washer	8	
29	H4001	Oil seal outer member	2	
30	H3894	Drain plug	2	
31	H3893	Washer	2	
32	H4003	"O" ring—damper valve	2	
33	H4009	Recoil spring	2	
34	14-1019	Cap screw—damper tube	2	
35	H4004	Cap screw seal	2	
36	H4325	Damper tube and valve assembly	2	
37	H4002	Scraper sleeve outer member	2	
38	H4258	Top cap nut	2	
39	H4166	Washer	2	
40	H4317	Steering stem nut (without steering damper)	1	
41	H4318	Steering stem nut (with steering damper)	1	
42	H4058	Headlamp bracket—L.H.	1	TR6R, T120R
42	H4060	Headlamp bracket—R.H.	1	
42	H4088	Headlamp bracket—L.H.	1	TR6C
42	H4090	Headlamp bracket—R.H.	1	
43	S1809	Nut	2	
44	D2338	Washer	2	
45	F12209	Bush	4	
46	F12211	Spacer	2	





BIB

Fig. 22. TELESCOPIC FRONT FORK

CLASSIC
BIKE SPARES

Ref. No.	Part No.	DESCRIPTION	QUANTITY	REMARKS
----------	----------	-------------	----------	---------

TELESCOPIC FRONT FORK

47	S2062	Sleeve nut	2
48	D2333	Washer	2
49	D2630	Grommet	2
50	F9046	Washer	2
51	H4012	Nut—damper valve	2
52	F12216	Clamp washer	4

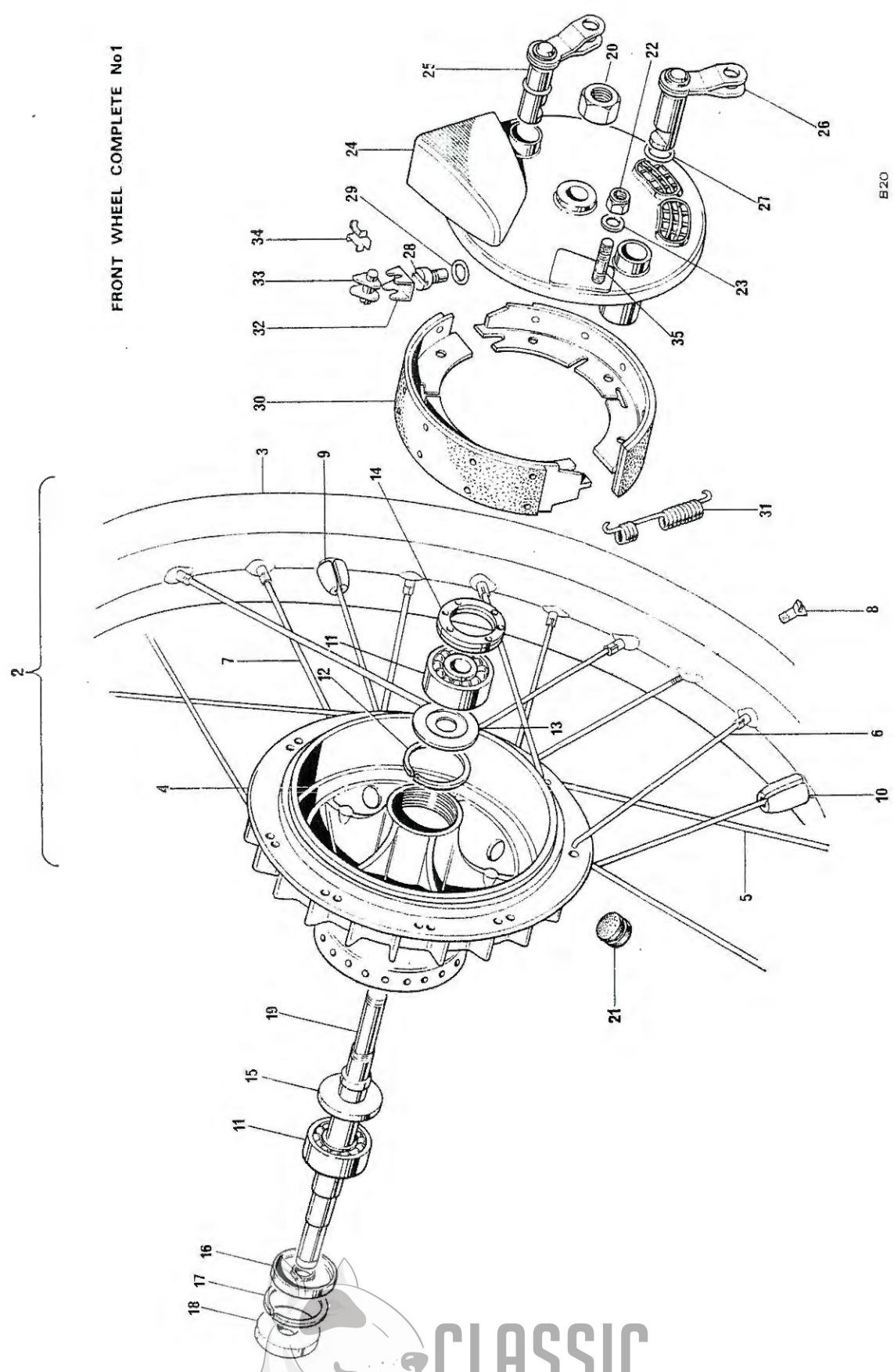


HANDLEBAR MOUNTINGS AND STEERING DAMPER

Ref. No.	Part No.	DESCRIPTION	QUANTITY	REMARKS
1	H2291	Handlebar eyebolt	2	
2	F1335	Washer	2	
3	S589	Bolt	2	
4	H1527	Metalastic bush	2	
5	H1529	Hemispherical washer	4	
6	H1581	Distance piece	2	
7	H1580	Rubber washer	2	
8	H2221	Cup	2	
9	14-1303	Nut	2	
10	H3875	Steering damper rod c/w knob	1	} Available
11	D2438	Spring washer	1	
12	H435	Friction disc	1	
13	H1797	Anchor plate	1	
14	H95	Spring plate	1	
15	D2329	Washer	1	
16	H4102	Bottom nut	1	
17	—	Split pin ($\frac{3}{32}$ in. x $\frac{1}{2}$ in.)		Reference only



FRONT WHEEL COMPLETE No1



B20

Fig. 24. FRONT WHEEL

CLASSIC
BIKE SPARES

FRONT WHEEL

Ref. No.	Part No.	DESCRIPTION	QUANTITY	REMARKS
1	W3845	FRONT WHEEL COMPLETE	1	
2	W3844	RIM, SPOKES AND HUB ASSEMBLY	1	
3	W3818	Wheel rim (WM2-19)	1	
4	W3658	Brake drum and hub	1	
5	W3820	Spoke (R.H.—inner)	10	
6	W3819	Spoke (R.H.—outer)	10	
7	W3821	Spoke (L.H.)	20	
8	W2294	Nipple...	40	
9	W3969	Balance weight (short)	as required	
10	W3970	Balance weight (long)	as required	
11	W653	Bearing	2	
12	D2632	Circlip—R.H.	1	
13	W3797	Grease retainer—R.H.	1	
14	W3759	Lock ring—R.H.	1	
15	W1481	Grease cap inner—L.H.	1	
16	W1237	Grease cap outer—L.H.	1	
17	T280	Circlip—L.H.	1	
18	W3932	Distance piece	1	
19	W3796	Wheel spindle	1	
20	W2058	Nut wheel spindle	1	
21	D3669	Grommet brake drum	1	
22	14-1303	Nut	1	
23	D2340	Washer } Anchor plate to fork leg	1	
24	W3655	Brake anchor plate	1	
25	W3987	Brake lever front	1	
26	W3986	Brake lever rear	1	
27	D2639	"O" ring brake cam	2	
28	W3762	Tappet brake cam	2	
29	W3761	"O" ring brake tappet	2	
30	W3713	Brake shoe complete	2	
31	W3714	Return spring	2	
32	W3715	Cage brake shoe adjuster	2	
33	W3716	Micram adjuster	2	
34	W3717	Abutment pressing	2	
35	14-1635	Stud-anchor plate torque reaction	1	



1 REAR WHEEL COMPLETE

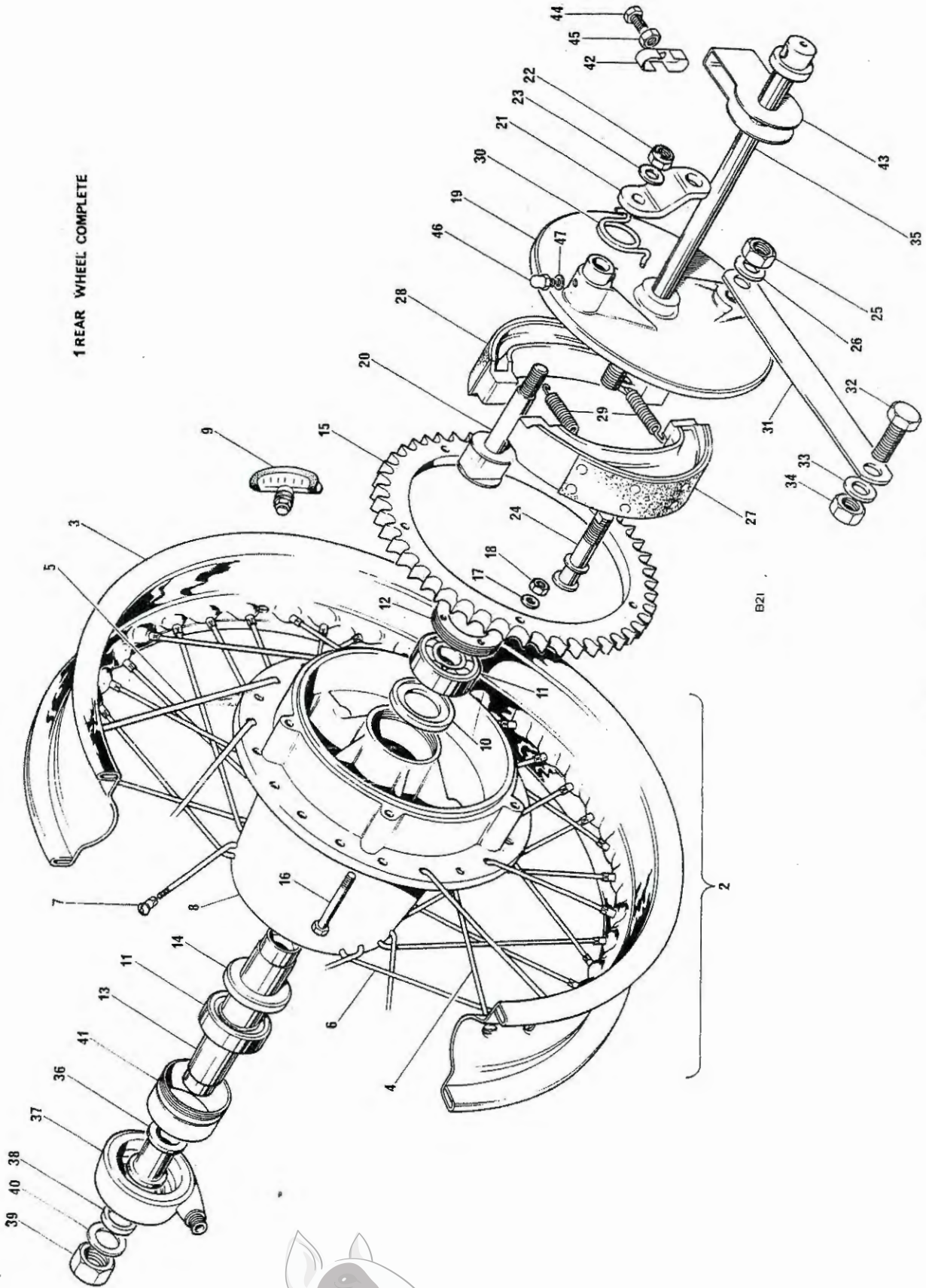


Fig. 25. REAR WHEEL



REAR WHEEL

1	W3968	REAR WHEEL COMPLETE	1	
2	W3782	RIM SPOKES AND HUB ASSEMBLY	1	
3	W3784	RIM (Wm 3 x 18)	1	
4	W3724	Spoke (inner—L.H.)	10	
5	W3725	Spoke (outer—L.H.)	10	
6	W3726	Spoke—R.H.	20	
7	W2294	Nipple... ..	40	
8	W3773	Hub and brake drum	1	
9	W3468	Tyre security bolt... ..	2	
10	W3749	Support ring—L.H.	1	
11	W653	Bearing	2	
12	W3752	Locking ring—L.H.	1	
13	W3753	Spacer	1	
14	W1654	Grease retainer—R.H.	1	
15	W3747	Sprocket 47 teeth	1	
16	14-0207	Bolt	5	} Sprocket to hub
17	D2320	Washer	5	
18	14-1301	Nut	5	
19	W3856	Brake anchor plate	1	
20	W3872	Brake cam	1	
21	W4034	Brake lever	1	
22	14-1303	Nut	1	
23	D2331	Washer	1	
24	W3870	Brake pivot	1	
25	14-0305	Nut	1	} Brake pivot to torque arm
26	D2431	Washer	1	
27	W3925	Brake shoe complete (leading)	1	
28	W3926	Brake shoe complete (trailing)	1	
29	W2328	Return spring (brake shoe)	2	
30	W4049	Return spring (brake lever)	1	
31	F12656	Brake torque arm	1	
32	14-0133	Bolt	1	} Torque arm to frame
33	W2330	Washer	2	
34	14-1304	Nut	1	
35	W3965	Wheel spindle	1	
36	W3750	Distance piece inner	1	
37	D3213	Speedometer drive gearbox	1	
38	W3746	Distance piece outer	1	
39	14-1307	Nut	1	} Wheel spindle
40	F12266	Washer	1	
41	W3751	Speedometer drive ring	1	
42	F13082	Cover plate—swinging arm fork end	2	
43	W3742	Chain adjuster	2	
44	14-0107	Screw	2	} Chain adjuster
45	14-0301	Nut	2	
46	D1841	Grease nipple	1	
47	WE170	Fibre washer	1	



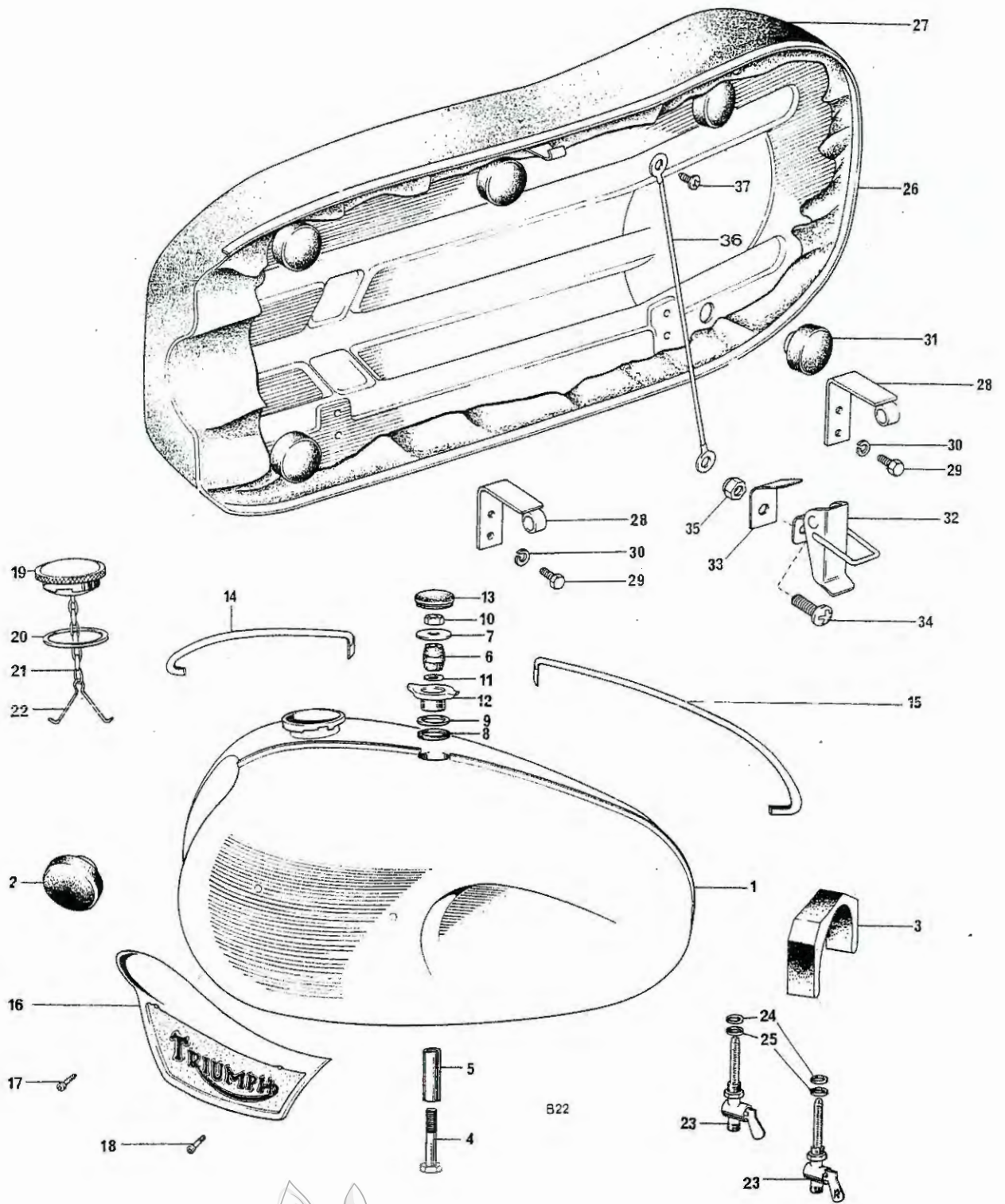
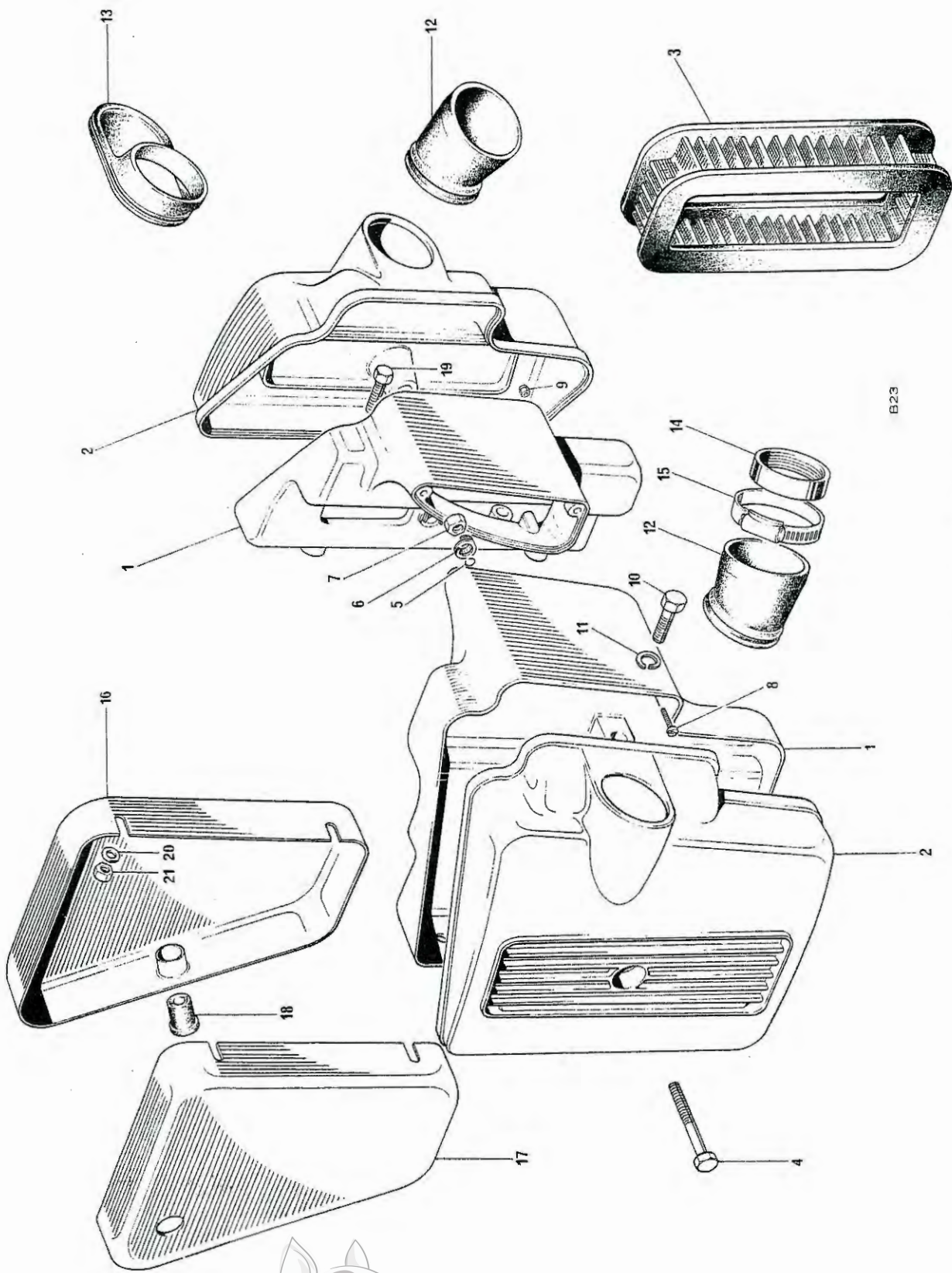


Fig. 26. GAS TANKS AND TWINSEAT

GAS TANK AND TWINSEAT

1	F12996	*Gas tank (3 gall.)	1	*For color see page 8
2	F9062	Steady rubber	2	
3	F13021	Mounting rubber	2	
4	S1823	Centre fixing bolt	1	
5	F13133	Distance tube	1	
6	F10260	Mounting rubber	1	
7	F13320	Washer	1	
8	F13321	Rubber washer	1	
9	F13319	Mounting ring	1	
10	S1999	Nut	1	
11	D2330	Washer	1	
12	F13318	Beading holder	1	
13	F13068	Grommet	1	
14	F13134	Styling strip-front	1	
15	F13135	Styling strip-rear	1	
16	F9700	Tank motif—L.H.	1	
16	F9701	Tank motif—R.H.	1	
17	F11339	Screw—front—tank motif	2	
18	F7888	Screw—rear—tank motif	2	
19	F13875	Filler cap	1	
20	F4048	Joint washer	1	
21	F3217	Jack chain	1	TR6C
22	F3221	Clip	1	TR6C
23	F12800	Gas tap	1	
23	F12801	Gas tap—reserve	1	
24	E7351	Tap seal	2	
25	F10002	Washer	2	
26	F14288	Twinseat	1	
27	F14291	Twinseat cover	1	
28	F12867	Hinge	2	
29	14-0101	Bolt	4	
30	D2417	Spring washer	4	Hinge to twinseat
31	F9093	Rubber buffer	5	
32	F13061	Catch assembly	1	
33	F12597	Spring—catch assembly	1	
34	1-40604	Screw	1	Twinseat catch fixing
35	14-1301	Nut	1	Twinseat catch fixing
36	D2087	Check wire	1	
37	D2381	Screw—self tapping	1	
	*F12881	Petrol tank (4 $\frac{3}{4}$ gall.)	Available	





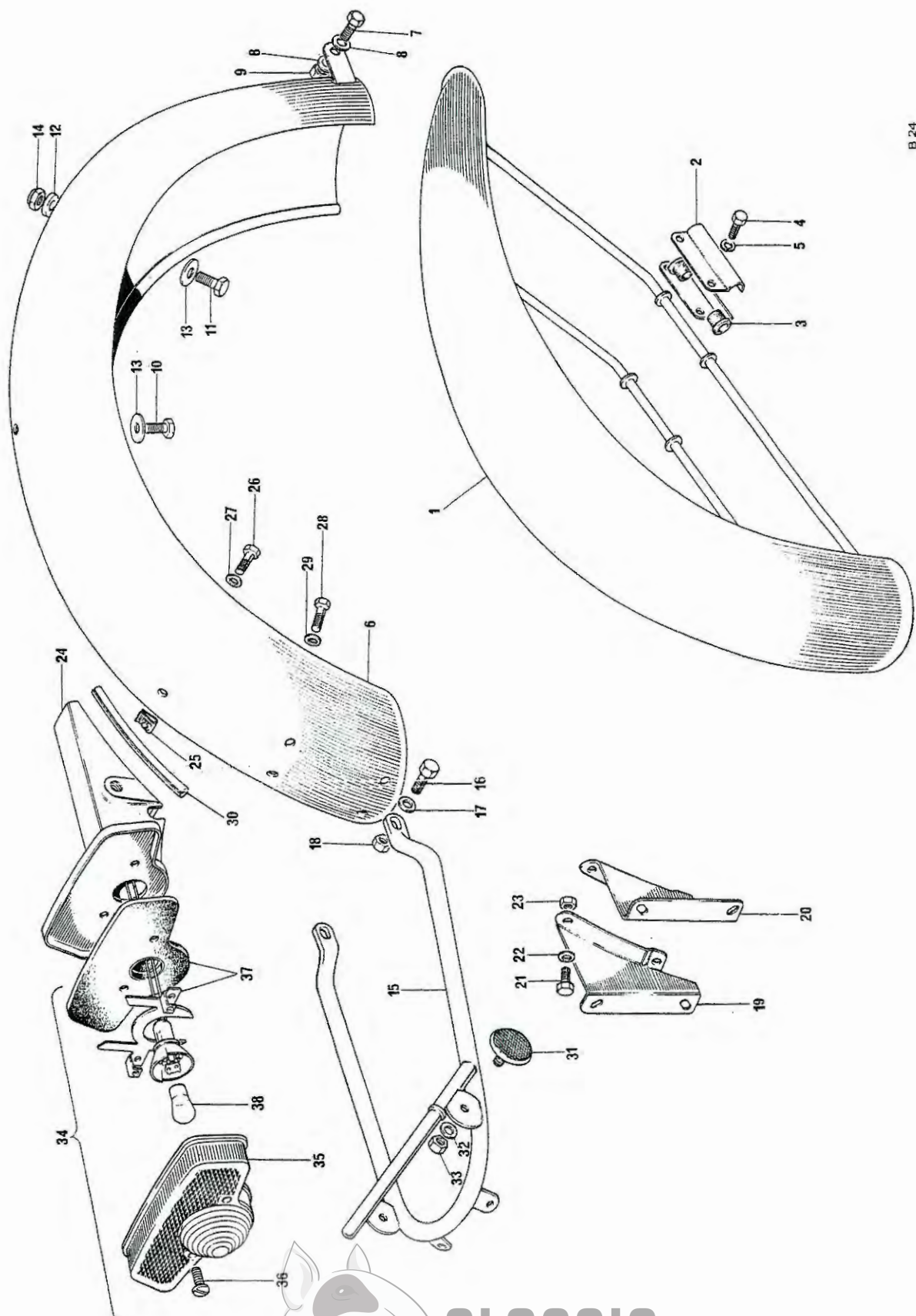
B23

Fig. 27. AIR CLEANERS AND SIDE PANELS

AIR CLEANER AND SIDE PANELS

	F13789	AIR CLEANER ASSEMBLY—L.H.	1	} Twin Carb T120R
	F13790	AIR CLEANER ASSEMBLY—R.H.	1	
1	F12749	Body—L.H.	1	
1	F12750	Body—R.H.	1	
2	F13850	Cover—L.H.	1	
2	F13851	Cover—R.H.	1	
	F13791	AIR CLEANER ASSEMBLY—L.H.	1	} Single carb. TR6R, TR6C
	F13792	AIR CLEANER ASSEMBLY—R.H.	1	
1	F12798	Body—L.H.	1	
1	F12797	Body—R.H.	1	
2	F13864	Cover—L.H.	1	
2	F13865	Cover—R.H.	1	
3	D3072	Element	2	} All models
4	14-0221	Bolt	2	
5	F8245	Retainer	} Cover to body	2	
6	D2438	Washer		2	
7	14-0302	Nut		2	
8	D3539	Screw	} L. H. assy. to R. H. assy.	2	
9	S501	Nut		2	
10	14-0218	Bolt	} Air cleaner to frame	2	
11	D2418	Spring washer		2	
12	F12626	Connector pipe	2	
13	F12625	Connector pipe	1	TR6C, TR6R
14	E11860	Carburetor adaptor	1 or 2	
15	D3536	Clip—Jubilee type	1 or 2	
16	F13859	Side panel—L.H.	1	
17	F13860	Side panel—R.H.	1	
18	F6673	Panel grommet	2	
19	14-0201	Bolt	} Side panel to air cleaner	4	
20	D2329	Washer		4	
21	14-1301	Nut		4	
Not illus.	D3722	Transfer	2	T120R
Not illus.	D3724	Transfer	2	TR6C
Not illus.	D3723	Transfer	2	TR6R
Not illus.	F9196	Spacer (use with 14-0218)	2	





B 24

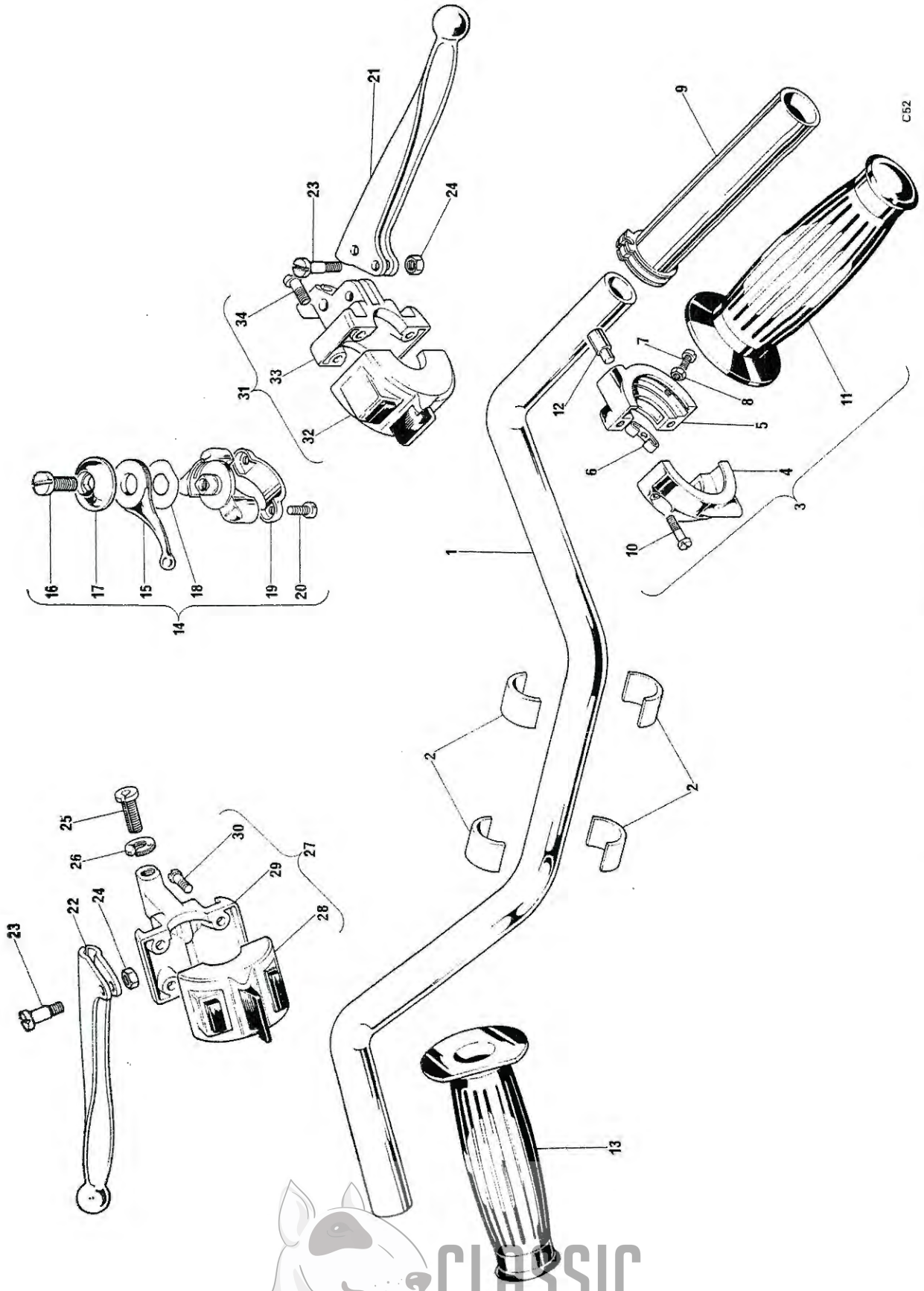
Fig. 28. FENDERS AND TAIL LAMP

FENDERS AND TAIL LAMP

Ref. No.	Part No.	Description	Quantity	Remarks
1	H4271	*Front fender	1	TR6R, T120R
1	H4270	*Front fender	1	TR6C
2	H4022	Bracket	4	
3	H4021	Rubber bush	4	
4	14-0103	Bolt	4	
5	D2427	Spring washer	4	
6	F13566	*Rear fender	1	TR6R, T120R
6	F13565	*Rear fender	1	TR6C
7	14-0114	Bolt	2	
8	D2330	Washer	4	
9	14-1302	Nut	2	
10	14-0101	Bolt	2	
11	14-0103	Bolt	1	
12	F3069	Spacer	1	
13	D2329	Washer	3	
14	14-1301	Nut	3	
15	F12768	Lifting handle	1	
16	14-0101	Bolt	2	
17	D2329	Washer	2	
19	14-1301	Nut	2	
18	F12727	Rear number plate bracket—L.H.	1	
20	F12728	Rear number plate bracket—R.H.	1	
21	14-0102	Bolt	4	
22	D2329	Washer	4	
23	14-1301	Nut	4	
24	F12786	Tail lamp support	1	
25	D3313	Captive nut	1	
26	14-6102	Bolt	1	
27	S25-1	Washer	1	
28	14-0101	Bolt	2	
29	D2427	Washer	2	
30	F13213	Rubber beading strip	2	
31	57079	Reflector red (99-1162)	2	
32	D2391	Washer	2	
33	F4717	Nut	2	
34	53973	STOP AND TAIL LAMP 679 (99-0597)	1	
35	54577109	Lens (99-1046)	1	
36	144921	Screw (99-1189)	1	
37	54525286	Lamp base assembly		Reference only
38	380	Bulb (99-0542)	1	

*For color see page 8.





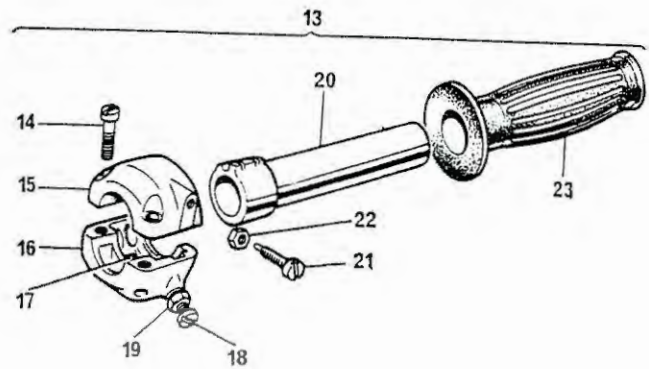
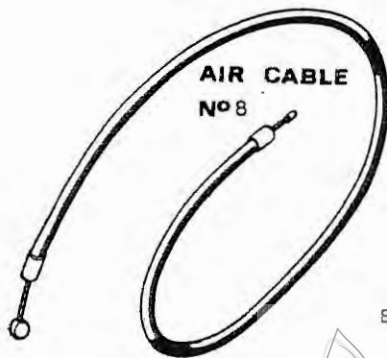
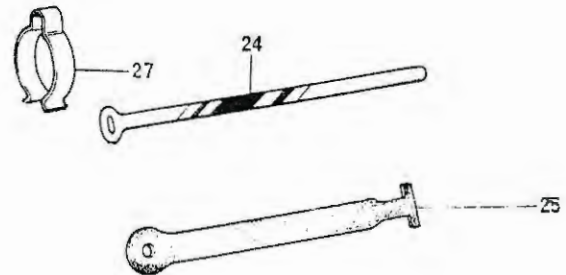
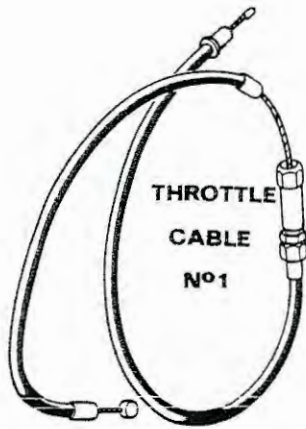
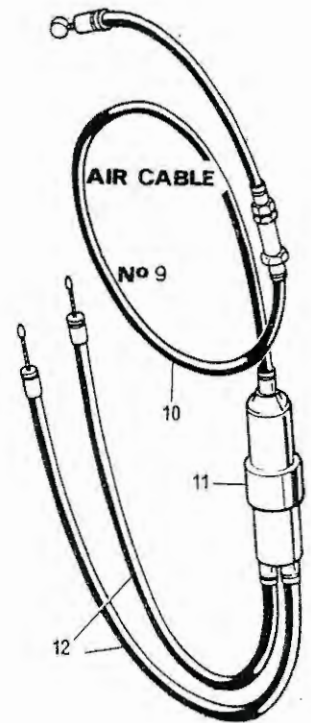
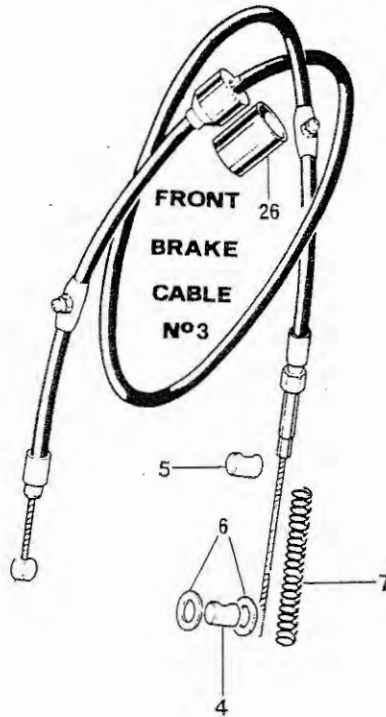
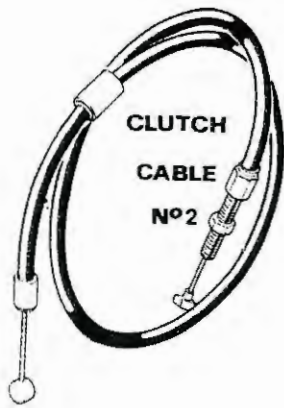
C62

Fig. 29. HANDLEBAR AND CONTROL LEVERS

HANDLEBARS AND CONTROL LEVERS

Ref. No.	Part No.	Description	Quantity	Remarks
1	H4252	Handlebar	1	
2	H1425	Sleeve, handlebar mounting	4	
3	16/364	TWISTGRIP (99-0248)	1	
4	16/328	Body, top half (99-0245)	1	
5	16/329	BODY, BOTTOM HALF (99-0246)	1	
6	16/008	Friction spring		Reference only
7	16/009	Screw		Reference only
8	16/010	Locknut		Reference only
9	99-0244	Rotor	1	
10	11/013	Screw (99-0225)	2	
11	H958	Grip	1	
12	16/011	Cable stop (99-0241)	1	
13	H2124	Grip	1	
14	12/608	AIR CONTROL LEVER (D3246)	1	
15	12/556	Lever		Reference only
16	12/607	Bolt		Reference only
17	12/606	Cap		Reference only
18	12/033	Spring washer		Reference only
19	12/040	Clamp		Reference only
20	11/014	Screw		Reference only
21	D3583	Front brake lever (alloy)	1	
22	D3657	Clutch lever (alloy)	1	
23	S2048	Pivot pin... ..	2	
24	14-1201	Nut	2	
25	D3585	Adjuster	2	
26	D3586	Lockring	2	
27	39595	HANDLEBAR SWITCH—L.H.		Reference only
28	54033666	Switch half		Reference only
29	54340882	Lever half (99-1187)	1	
30	54115246	Screw (99-1188)	4	
31	39596	HANDLEBAR SWITCH—R.H.		Reference only
32	54033667	Switch half		Reference only
33	54340883	Lever half (99-1215)	1	
34	54115246	Screw (99-1188)	4	





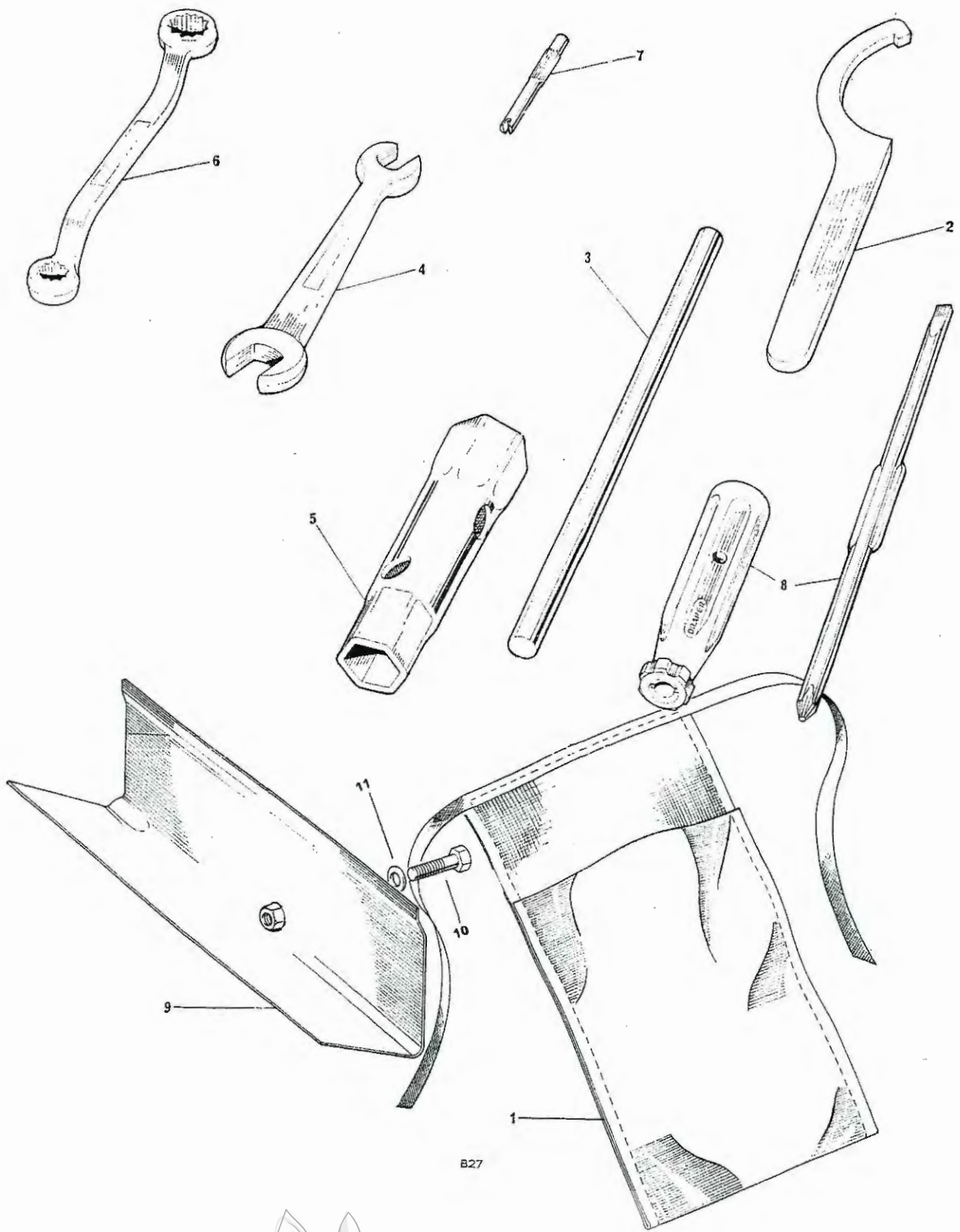
B26

Fig. 30. CONTROL CABLES

CONTROL CABLES

1	D1819	Throttle cable	2	T120R
1	D1806	Throttle cable	1	TR6C, TR6R
2	D3079	Clutch cable	1	
3	D3557	Front brake cable	1	
4	W3996	Bush—brake cable stop	1	
5	W3997	Bush—brake cable	1	
6	E12500	Washer	2	
7	W4014	Cable spring	1	
8	D1807	Air control cable	1	TR6C, TR6R
9	D3485	AIR CONTROL CABLE	1	T120R
10	D1818	Cable, lever to junction box	1	
11	244/104	Junction box (99-0341)	1	
12	D3486	Cable, junction box to carburetor	2	
13	313/13	TWIN ROTOR TWISTGRIP (99-0347)	1	T120R
14	18/084	Screw		Reference only
15	313/020	Body, top half		Reference only
16	313/021	BODY, BOTTOM HALF		Reference only
17	16/008	Friction spring		Reference only
18	210/007	Screw		Reference only
19	5/077	Nut		Reference only
20	313/004	Rotor		Reference only
21	210/008	Rotor stop screw		Reference only
22	5/077	Nut—rotor stop screw		Reference only
23	H2125	Grip	1	
24	D343/3	Cable clip	2	
25	D343/7	Cable clip	6	
26	H4112	Handlebar clip	4	
LATER MODELS USE THE FOLLOWING:—				
3	D3815	Front brake cable	1	



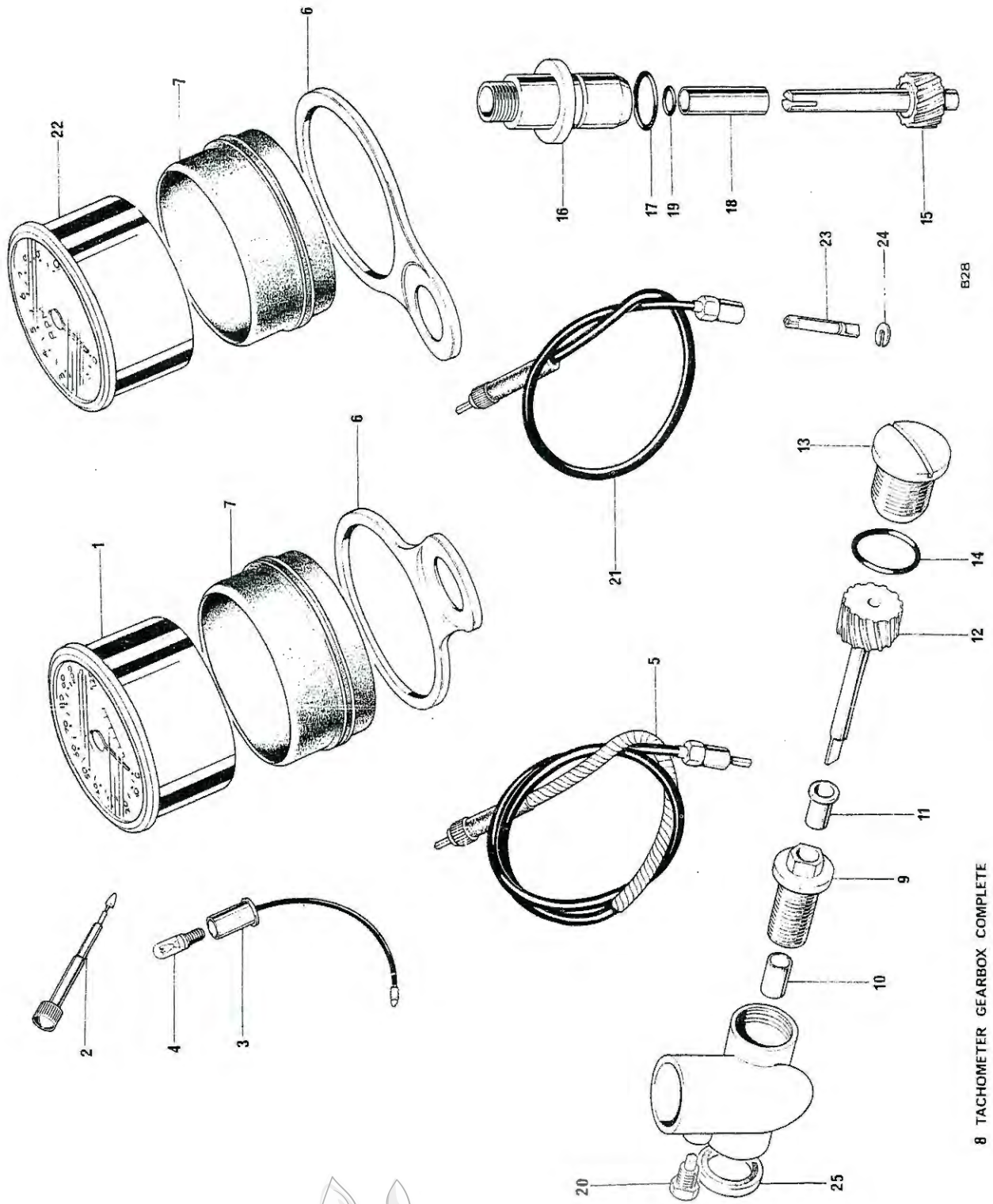


B27

TOOLKIT

	D2112	TOOLKIT COMPLETE	1	
1	D291	Tool roll	1	
2	D2184	Damper unit spanner	1	
3	D1911	Tommy bar	1	
4	D2084	Spanner—open ended	1	
5	D971	Box spanner	1	
6	D972	Ring spanner	1	
7	D974	Tyre valve key	1	
8	D767	Screw driver	1	
9	F13292	Tool tray	1	
10	14-0101	Bolt	1	
11	D2329	Washer	1	





B2B

8 TACHOMETER GEARBOX COMPLETE

FIG. 32. SPEEDOMETER AND TACHOMETER

Ref. No. Part No.

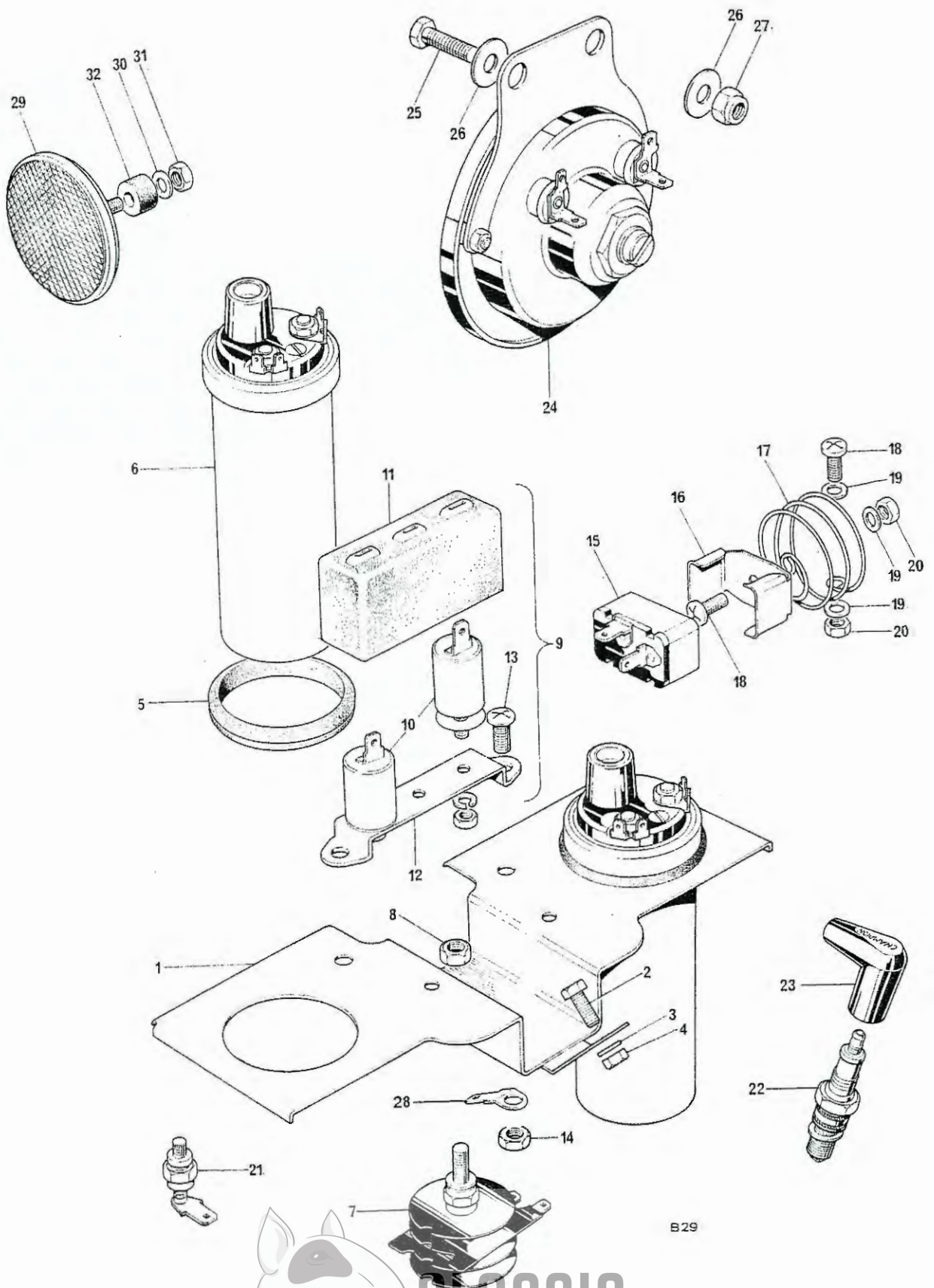
DESCRIPTION

QUANTITY REMARKS

SPEEDOMETER AND TACHOMETER

Ref. No.	Part No.	DESCRIPTION	QUANTITY	REMARKS
1	SSM5007/00	Speedometer head (D2394)	1	
2	41-148-203-10	Trip control (99-0176)	1	
3	54959626	Bulb holder	Reference only	
4	643	Bulb (3W. MES)	Reference only	
5	D3249	Speedometer cable	1	
6	H4026	Mounting bracket	1	TR6C,
			2	T120R, TR6R
7	D2600	Rubber cup	1	TR6C,
			2	T120R, TR6R
Not illus.	D2391	Washer	2 or 4	
8	E9331	TACHOMETER GEARBOX (E5758 Body)—L.H. thread		1
9	E9332	Securing screw—L.H. thread, U.N.	1	
10	Reference only	Bush	1	
11	Reference only	Flanged bush	1	
12	E5157	Driving gear	1	
13	E5759	End cap	1	
14	E6300	"O" ring	1	
15	E5578	Driven gear	1	
16	E12875	Driven gear housing	1	TR6R
17	E6299	"O" ring	1	T120R
18	Reference only	Bush	1	
19	D3530	"O" ring	1	
20	E5881	Set screw	1	
21	D3282	Tachometer cable	1	
22	RSM3003/13	Tachometer (D2396)	1	
23	31-371-398	Spade (99-0173)	1	
24	D494	Circlip	1	
25	E7351	Sealing washer	1	
Not illus.	D546	Blanking plug (replaces tacho bulb holder)	1	





B29

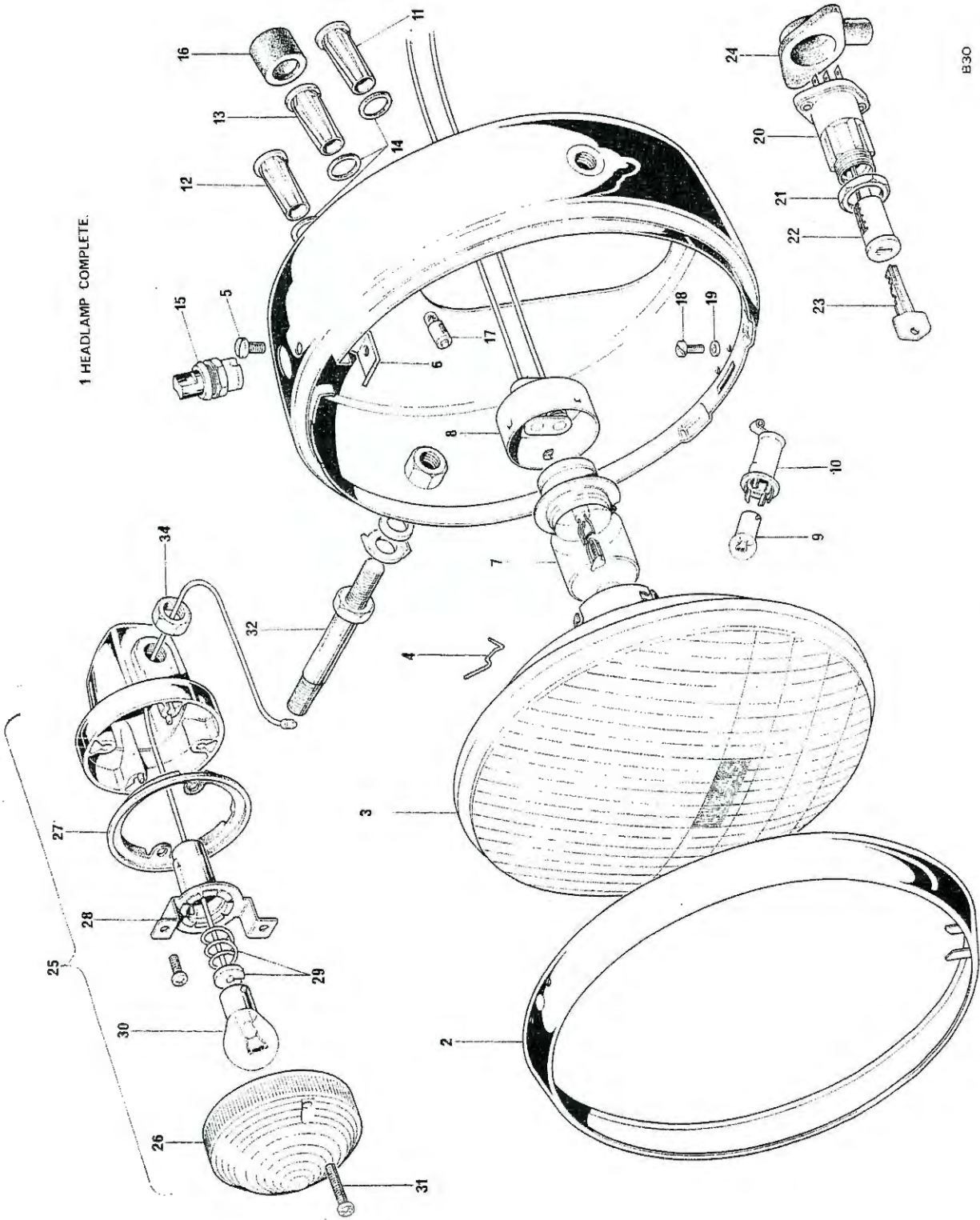
Fig. 33. COIL, CAPACITOR PACK, FLASHER UNIT, ZENER DIODE AND HORN



COIL, CAPACITOR PACK, FLASHER UNIT, ZENER DIODE AND HORN

1	F12571	Mounting platform—electrical components...	1	
2	14-0101	Bolt	1	
3	D2329	Washer	1	Platform to mudguard
4	14-1301	Nut	1	
5	F9561	Grommet—coil mounting	2	
6	45223	Ignition coil (17-M-12) (D2206)	2	
7	49072	Rectifier (99-0589)	1	
8	F5338	Nut	1	
9	47638	CAPACITOR PACK—2CP		Reference only
10	54420128	Capacitor (99-1043)	2	
11	54418528	Cover (99-0767)	1	
12	54418526	Base plate (99-1160)	1	
13	S2079	Screw	2	Capacitor pack to platform
14	S778	Nut	2	
15	35048	Flasher unit (99-1201)	1	
16	54385091	Clip, flasher unit (99-1204)	1	
17	D3614	Spring	1	Flasher unit to platform
18	S2079	Screw	2	
19	D2391	Washer	2	
20	S778	Nut	2	
21	49345	Zener Diode (99-0590)	1	
22	N3	Sparking plug		Reference only
23	D262	Plug cover (Champion WC200)	1	
24	70228	Horn—6H (99-1245)	1	
25	14-0103	Bolt	2	Horn to frame
26	D2347	Washer	4	
27	14-1301	Nut	2	
28	54190038	Lucar blade terminal		Reference only
29	57183	Reflector-amber (99-1161)	2	
30	D2391	Washer	2	Reflector mounting
31	F4717	Nut	2	
32	F13522	Mounting rubber	2	
Not illus.	D3161	Grommet (horn mounting)	2	





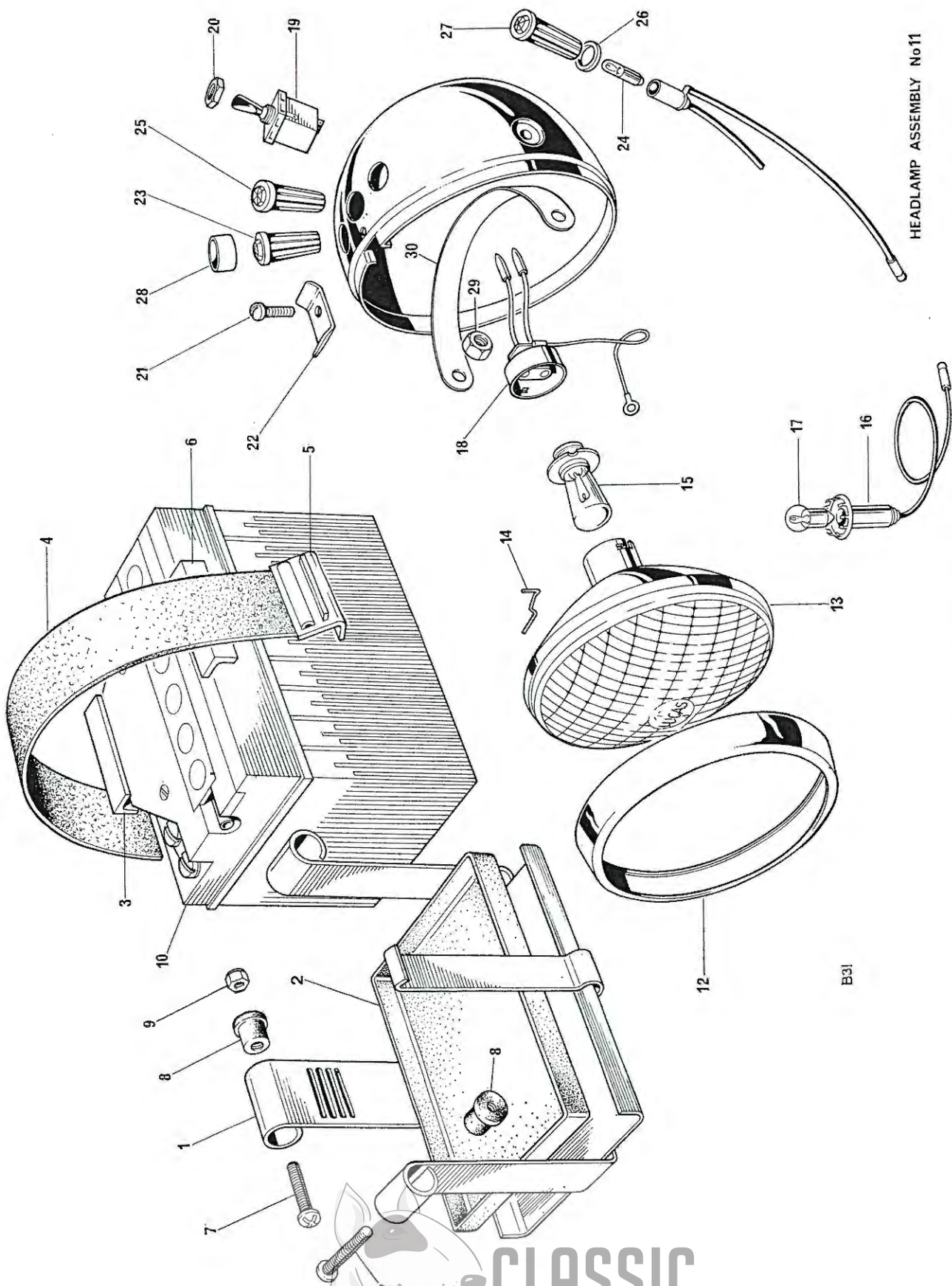
B30

Fig. 34. HEADLAMP AND FLASHER LAMPS

HEADLAMP AND FLASHER LAMPS

Ref. No.	Part No.	DESCRIPTION	QUANTITY	REMARKS
1	60260	HEADLAMP COMPLETE MCH 69 (99-1221)	1	TR6R, T120R
2	553248	Rim (99-0692)	1	
3	516801	Light unit (99-1156)	1	
4	504665	Fixing wire (99-0683)	6	
5	144921	Screw	Reference only	
6	534296	Plate	Reference only	
7	370	Main bulb (45/35W) (99-1214)	1	
8	554602	Bulbholder	Reference only	
9	989	Pilot bulb (99-0548)	1	
10	54573590	Pilot bulbholder (99-1213)	1	
11	54363454	Warning light (Red) (99-1208)	1	
12	54363455	Warning light (Green) (99-1209)	1	
13	54363453	Warning light (Amber) (99-1207)	1	
14	54140331	Sealing washer (99-1210)	3	
15	31276	Light switch (99-1211)	1	
16	54525212	Shield, warning light	Reference only	
17	281	Bulb, warning light (99-0537)	3	
18	54115106	Screw, headlamp fixing (99-1223)	2	
19	143086	Washer, headlamp fixing 99-1224)	2	
Not illus.	54959629	Wiring harness (99-1222)	1	
20	39565	IGNITION SWITCH (TYPE 149 SA) (99-1200)	1	
21	54130041	Nut	Reference only	
22	F6981	IGNITION LOCK C/W KEY	1	
23	D622	Key (state serial number)	As required	
24	H2262	Cover, ignition switch	1	
25	56147	FLASHER LAMP (99-1190)	4	
26	54581638	Lens (99-1191)	1	
27	54580300	Gasket	Reference only	
28	554548	Bulbholder	Reference only	
29	473832	Interior assembly	Reference only	
30	382	Bulb (99-1192)	1	
31	54123401	Screw (99-1193)	2	
32	60600092	Stanchion, flasher lamp (99-1246)	4	





HEADLAMP ASSEMBLY No 11

Fig. 35. BATTERY AND TR6C HEADLAMP

B31

BATTERY AND TR6C HEADLAMP

Ref. No.	Part No.	Description	Quantity	Remarks
1	F12512	Battery carrier	1	
2	F8091	Carrier tray	1	
3	F8255	Protective strip	2	
4	F9353	Retaining strap	1	
5	F13849	Buckle	1	
6	F13295	Protective strip	11	
7	F12508	Shoulder screw	3	
8	F6039	Rubber bush	3	Battery carrier mounting
9	14-1301	Nut	1	
10	54027029	Battery—PUZ5A (99-0719)	1	
11	60262	HEADLAMP ASSEMBLY MCH 66 (99-1205)	1	
12	534343	Rim (99-0691)	1	
13	54525272	Light unit (99-1212)	1	
14	504665	Fixing wire (99-0683)	6	
15	370	Bulb (45/35W vertical dip, pre-focus 99-1214)	1	
16	54573590	Bulbholder, pilot (99-0695)	1	
17	989	Bulb (3W.M.C.C. 99-0548)	1	
18	554602	Adaptor c/w leads (99-1003)	2	
Not illus.	54115106	Screw, lamp fixing (99-1157)	2	
Not illus.	143086	Washer (99-1224)	2	
19	31272	Lighting switch (99-0563)	1	
20	153631	Nut for lighting switch		Reference only
21	144921	Screw		Reference only
22	534296	Plate (99-0690)	1	
23	54363454	Warning light, red (99-1208)	1	
24	281	Bulb (2W.BA75) (99-0537)	2	
25	54363455	Warning light, green (99-1209)	1	
26	54140331	Sealing washer (99-1210)	3	
27	54363453	Warning light amber (99-1207)	1	
28	54525212	Warning light shield		Reference only
29	14-0404	Nut	2	
30	H4247	Support bracket	1	



STANDARD HARDWARE SPECIFICATION BOLTS

Part No.	Material	Thd. dia.	Length under head	Min. length of thread	Hexagon A.F.
S1822	Steel	$\frac{5}{16}$ " UNF	$\frac{1}{2}$ "	$\frac{27}{64}$ "	0.500"
S1910	"	$\frac{3}{8}$ " UNF	$\frac{13}{16}$ "	$\frac{13}{16}$ "	0.565"
S1919	"	$\frac{5}{16}$ " UNC	$1\frac{5}{8}$ "	$\frac{7}{8}$ "	0.500"
S2010	"	$\frac{1}{4}$ " UNF	$\frac{13}{16}$ "	$\frac{3}{8}$ "	0.375"
14-0101	"	$\frac{1}{4}$ " UNF	$\frac{1}{2}$ "		0.438"
14-0102	"	$\frac{1}{4}$ " UNF	$\frac{5}{8}$ "		0.438"
14-0103	"	$\frac{1}{4}$ " UNF	$\frac{3}{4}$ "		0.438"
14-0113	"	$\frac{5}{16}$ " UNF	$\frac{5}{8}$ "		0.500"
14-0114	"	$\frac{5}{16}$ " UNF	$\frac{3}{4}$ "		0.500"
14-0115	"	$\frac{5}{16}$ " UNF	$\frac{7}{8}$ "		0.500"
14-0128	"	$\frac{3}{8}$ " UNF	1"		0.563"
14-0208	"	$\frac{1}{4}$ " UNF	$2\frac{1}{4}$ "	$\frac{3}{4}$ "	0.438"
14-0216	"	$\frac{5}{16}$ " UNF	$1\frac{1}{8}$ "	$\frac{7}{8}$ "	0.500"
14-0217	"	$\frac{5}{16}$ " UNF	$1\frac{1}{4}$ "	$\frac{7}{8}$ "	0.500"
14-0219	"	$\frac{5}{16}$ " UNF	$1\frac{1}{2}$ "	$\frac{7}{8}$ "	0.500"
14-0220	"	$\frac{5}{16}$ " UNF	$1\frac{3}{4}$ "	$\frac{7}{8}$ "	0.500"
14-0225	"	$\frac{5}{16}$ " UNF	3"	$\frac{7}{8}$ "	0.500"
14-0228	"	$\frac{5}{16}$ " UNF	4"	$\frac{7}{8}$ "	0.500"
14-0234	"	$\frac{3}{8}$ " UNF	$1\frac{3}{4}$ "	1"	0.563"
14-0236	"	$\frac{3}{8}$ " UNF	$2\frac{1}{4}$ "	1"	0.563"
14-0239	"	$\frac{3}{8}$ " UNF	3"	1"	0.563"
14-0240	"	$\frac{3}{8}$ " UNF	$3\frac{1}{4}$ "	1"	0.563"
14-0242	"	$\frac{3}{8}$ " UNF	4"	1"	0.563"
14-0251	"	$\frac{7}{16}$ " UNF	$2\frac{3}{4}$ "	$1\frac{1}{4}$ "	0.625"
14-6102	"	$\frac{1}{4}$ " UNC	$\frac{5}{8}$ "		0.438"
14-6115	"	$\frac{5}{16}$ " UNC	$\frac{7}{8}$ "		0.500"

NUTS

Part No.	Material	Thd. dia.	Hexagon A.F.	Thickness	Remarks
S778	Steel	No. 10 UNF	0.375"	0.225"	Cleveloc
S1852	"	$\frac{5}{16}$ " UNF	0.437"	0.330"	Philidas
S1906	"	$\frac{1}{4}$ " UNF	0.438"	0.188"	Plain
S1908	"	$\frac{5}{16}$ " UNF	0.438"	0.313"	Plain
S1914	"	$\frac{3}{4}$ " UNEF	1.125"	0.250"	Plain
S2012	"	$\frac{7}{8}$ " UNEF	1.313"	0.438"	Plain
S2013	"	$\frac{3}{4}$ " UNEF	1.313"	0.313"	Plain
S2014	"	$\frac{3}{4}$ " UNEF	1.313"	0.438"	Plain
14-0301	"	$\frac{1}{4}$ " UNF	0.438"	0.224"	Plain
14-0302	"	$\frac{5}{16}$ " UNF	0.500"	0.271"	Plain
14-0401	"	$\frac{1}{4}$ " UNF	0.438"	0.161"	Lock
14-0402	"	$\frac{5}{16}$ " UNF	0.500"	0.192"	Lock
14-0403	"	$\frac{3}{8}$ " UNF	0.563"	0.224"	Lock
14-0701	"	$\frac{1}{4}$ " UNF	0.438"	0.203"	Philidas
14-0702	"	$\frac{5}{16}$ " UNF	0.500"	0.246"	Philidas
14-0703	"	$\frac{3}{8}$ " UNF	0.563"	0.296"	Philidas
14-1201	"	$\frac{1}{4}$ " UNF	0.438"	0.285"	Stiffnut
14-1202	"	$\frac{5}{16}$ " UNF	0.500"	0.335"	Stiffnut
14-1301	"	$\frac{1}{4}$ " UNF	0.438"	0.245"	Stiffnut
14-1302	"	$\frac{5}{16}$ " UNF	0.500"	0.290"	Stiffnut
14-1303	"	$\frac{3}{8}$ " UNF	0.563"	0.320"	Stiffnut
14-1304	"	$\frac{7}{16}$ " UNF	0.688"	0.375"	Stiffnut
14-1305	"	$\frac{1}{2}$ " UNF	0.750"	0.435"	Stiffnut
14-1902	"	$\frac{5}{16}$ " UNF	0.500"	0.361"	Nyloc
14-1903	"	$\frac{3}{8}$ " UNF	0.563"	0.375"	Nyloc



SCREWS

Part No.	Type of head	Material	Thd. dia.	Length under head	Type of drive
S1916	Cheese head	Steel	$\frac{1}{4}$ " UNC	$\frac{1}{8}$ "	Cross recess
S1917	Cheese head	"	$\frac{1}{4}$ " UNC	$\frac{2}{8}$ "	Cross recess
S1918	Cheese head	"	$\frac{1}{4}$ " UNC	$\frac{2}{8}$ "	Cross recess
S1920	Hex. head	"	$\frac{1}{4}$ " UNC	$\frac{2}{8}$ "	Cross recess
S1929	Countersunk (82°)	"	$\frac{1}{4}$ " UNC	$\frac{17}{32}$ "	Slot
S2079	Cheese head	"	No. 10 UNF	$\frac{1}{2}$ "	Pozidrive
14-0604	Cheese head	"	$\frac{1}{4}$ " UNF	$\frac{1}{2}$ "	Cross recess
14-6505	Countersunk (82°)	"	$\frac{1}{4}$ " UNC	$\frac{7}{8}$ "	Cross recess
14-6607	Cheese head	"	$\frac{1}{4}$ " UNC	$\frac{7}{8}$ "	Cross recess
14-6608	Cheese head	"	$\frac{1}{4}$ " UNC	1"	Cross recess
14-6609	Cheese head	"	$\frac{1}{4}$ " UNC	$1\frac{1}{4}$ "	Cross recess
14-7019	Socket head	"	$\frac{5}{16}$ " UNC	$\frac{7}{8}$ "	Hex. socket
14-7024	Socket head	"	$\frac{5}{16}$ " UNC	2"	Hex. socket

WASHERS—PLAIN

Part No.	Material	i/dia.	o/dia.	Thickness
S25-1	Steel	0.273"	0.563"	0.048"
S25-2	Steel	0.398"	0.750"	0.063"
S25-3	Steel	0.336"	0.625"	0.063"
S25-6	Steel	0.531"	1.031"	0.092"
S25-13	Steel	0.266"	0.469"	0.064"

WASHERS—SPRING

Part No.	Material	i/dia.	o/dia.	o/o height	Thickness
S26-1	Spring Steel	$\frac{3}{8}$ " clearance	$\frac{13}{32}$ "	$\frac{7}{32}$ "	0.104"
S26-2	" "	$\frac{1}{4}$ " clearance	$\frac{13}{32}$ "	$\frac{3}{16}$ "	0.064"
S26-16	" "	$\frac{17}{32}$ "	$\frac{7}{8}$ "	$\frac{7}{32}$ "	0.040**
S648	" "	$\frac{5}{16}$ " clearance	$\frac{1}{2}$ "	$\frac{5}{32}$ "	0.080"

** Double coil.

