

20-10187C



Rocket

MODEL A75

SPARE PARTS LIST



FROM ENGINE AND FRAME Nos. A75R-101 CATALOGUE No.00-5141

Revised January, 1969

THIS LIST SUPERSEDES ALL PREVIOUS ISSUES



CATALOGUE OF



FOR MODEL A75

ROCKET 3

ISSUED BY

B.S.A. MOTOR CYCLES LTD.

Service Department, Armoury Road,
Birmingham 11, England.

TELEPHONE
TELEGRAMS

021-772-2381
"SELMOTO" BIRMINGHAM

WESTERN U.S.A.:
B.S.A. MOTORCYCLES—WESTERN
2745 E. HUNTINGTON DRIVE,
DUARTE, CALIFORNIA 91010.

EASTERN U.S.A.:
B.S.A. INCORPORATED
639 PASSAIC AVENUE,
NUTLEY, NEW JERSEY, 07110.



**CLASSIC
BIKE SPARES**

Publication Reference 00-5141-1-1969 (Revised)

Printed in England at the BSA Press

Please Note!

Replacement parts or accessories must be of B.S.A. origin or as approved by B.S.A. Motor Cycles Ltd.

In this respect your attention is drawn to the Terms and Conditions of B.S.A. Guarantee.



SUFFIX NUMBERS TO BE USED TO IDENTIFY VARYING FINISHES

When ordering components with varying finishes, please state finish required by adding the **appropriate number to part number.**

EXAMPLE:

Petrol tank, flamboyant blue, chrome panels and single white line 68-8003/174.

PETROL TANK, SIDECOVERS, CHAINGUARD:

Flamboyant red /170

MUDGUARDS:

Flamboyant red, single white line /177

OTHER PARTS:

Chrome /3
 Black /7
 Silver /165

PRICES:

No price codes are quoted in this list. For prices please refer to the Master Price List No. 00-5125.

Wherever possible details of thread form and size are quoted after description of nuts, bolts, screws, studs and washers. Such as: 14-7006 Socket screw ($\frac{1}{4}$ " U.N.C. \times 1") = $\frac{1}{4}$ " diameter unified coarse thread 1" long under head.

Vital components, which are manufactured from special material, are indicated by a sign and the British Standard symbol for the material is quoted at the foot of the page.

ABBREVIATIONS:

- B.A. — British Association Screw Threads.
- B.S.C. — British Standard Cycle Screw Threads.
- B.S.F. — British Standard Fine Screw Threads.
- C/SK. — Countersunk Head.
- U.N.F. — Unified Fine Screw Threads.
- U.N.C. — Unified Coarse Screw Threads.
- WHIT. — Whitworth Form Screw Threads.



STEERING LOCK AND KEY

Lock No.	Key No.	Lock No.	Key No.	Lock No.	Key No.
EJR 1	19-5151	EJR 18	19-5163	EJR 35	19-5185
EJR 2	19-5152	EJR 19	19-5169	EJR 36	19-5186
EJR 3	19-5153	EJR 20	19-5170	EJR 37	19-5187
EJR 4	19-5154	EJR 21	19-5171	EJR 38	19-5188
EJR 5	19-5155	EJR 22	19-5172	EJR 39	19-5189
EJR 6	19-5156	EJR 23	19-5173	EJR 40	19-5190
EJR 7	19-5157	EJR 24	19-5174	EJR 41	19-5191
EJR 8	19-5158	EJR 25	19-5175	EJR 42	19-5192
EJR 9	19-5159	EJR 26	19-5176	EJR 43	19-5193
EJR 10	19-5160	EJR 27	19-5177	EJR 44	19-5194
EJR 11	19-5161	EJR 28	19-5178	EJR 45	19-5195
EJR 12	19-5162	EJR 29	19-5179	EJR 46	19-5196
EJR 13	19-5163	EJR 30	19-5180	EJR 47	19-5197
EJR 14	19-5164	EJR 31	19-5181	EJR 48	19-5198
EJR 15	19-5165	EJR 32	19-5182	EJR 49	19-5199
EJR 16	19-5166	EJR 33	19-5183	EJR 50	19-5200
EJR 17	19-5167	EJR 34	19-5184		



PISTON CHART

Compression Ratio	PISTON COMPLETE					Number Per Set
	Standard	+ .005"	+ .010"	+ .020"	+ .040"	
9 : 1	70-9741	70-9761	70-9762	70-9763	70-9764	3
	COMPRESSION RINGS					6
	70-6838	70-9015	70-9016	70-9017	70-9018	
	SCRAPER RINGS					3
	70-9739	70-9765	70-9766	70-9767	70-9768	
Set No.	00-3466	00-3467	00-3468	00-3469	00-3470	Rings per set (9)

CARBURETTORS AND SETTINGS

Location	B.S.A. Number	Amal Number	Main Jet	Pilot Jet	Throttle Slide	Needle Jet	Needle Position	Air Cable
Right-hand	19-2408	R.626-14	150	622-107	3	.106	2	Long
Centre	19-2415	R.626-16	150	622-107	3	.106	2	Medium
Left-hand	19-2409	L.626-15	150	622-107	3	.106	2	Short



ASSEMBLIES COMPLETE

<i>Spares No.</i>	<i>Description</i>
00-3172	TOP OVERHAUL GASKET SET.
00-3315	FULL OVERHAUL GASKET SET.
00-3466	PISTON RING SET (standard).
00-3467	PISTON RING SET (.005" oversize).
00-3468	PISTON RING SET (.010" oversize).
00-3469	PISTON RING SET (.020" oversize).
00-3470	PISTON RING SET (.040" oversize).
70-7951	ENGINE UNIT, less carburetters and exhaust system, plus oil pipes and pressure switch.
70-8781	CYLINDER HEAD ASSEMBLY.
70-6529	CYLINDER BLOCK ASSEMBLY.
70-9740	CONNECTING ROD ASSEMBLY.
70-8778	CRANKSHAFT ASSEMBLY.
70-7869	CRANKCASE COMPLETE, drive-side, centre and timing-side.
70-9001	OIL PUMP COMPLETE.
19-7800	CLUTCH ASSEMBLY COMPLETE.
57-3871	PRIMARY DRIVE SHOCK ABSORBER ASSEMBLY.
82-9773	FRAME COMPLETE.
82-9963	SWINGING ARM COMPLETE.
97-2672	FRONT FORK ASSEMBLY COMPLETE.
37-3312	FRONT WHEEL COMPLETE, with spindle and bearings, less brake parts.
37-3461	FRONT BRAKE ANCHOR PLATE ASSEMBLY.
37-3317	FRONT HUB COMPLETE, with spindle and bearings, less brake parts.
37-3456	REAR WHEEL COMPLETE, with spindle and bearings, less brake parts.
37-3457	REAR HUB COMPLETE, with spindle and bearings, less brake parts.
37-1111	REAR BRAKE ANCHOR PLATE ASSEMBLY.



INDEX

	<i>Page</i>
CYLINDER HEAD, ROCKER BOXES, EXHAUST PIPES	8 - 11
CYLINDER, PISTONS AND CRANKSHAFT	12 - 13
CRANKCASE AND TIMING GEARS	14 - 17
INNER PRIMARY COVER, OIL PUMP AND GEARS	18 - 19
CLUTCH	20 - 21
PRIMARY CASE OUTER COVER, CHAIN TENSIONER, CLUTCH CONTROL	22 - 23
GEARBOX	24 - 25
GEARBOX COVER, GEARCHANGE AND KICKSTART CRANK	26 - 27
FRAME	28 - 29
SWINGING ARM, CENTRE STAND, PROP STAND	30 - 31
STEERING HEAD	32 - 33
FRONT FORKS	34 - 35
FRONT WHEEL	36 - 37
REAR WHEEL	38 - 39
HANDRAIL, MUDGUARDS, CHAINGUARD	40 - 41
PETROL TANK, HANDLEBAR AND CONTROLS	42 - 45
TWINSEAT, SIDECOVERS, SILENCERS	46 - 47
TOOLBOX, BATTERY CARRIER, AIR CLEANER	48 - 49
OIL TANK AND OIL COOLER	50 - 51
ELECTRICAL EQUIPMENT	52 - 55
CARBURETTORS AND THROTTLE LINKAGE	56 - 57
TOOL KIT	58 - 59



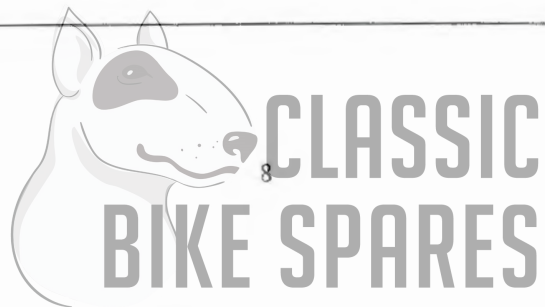
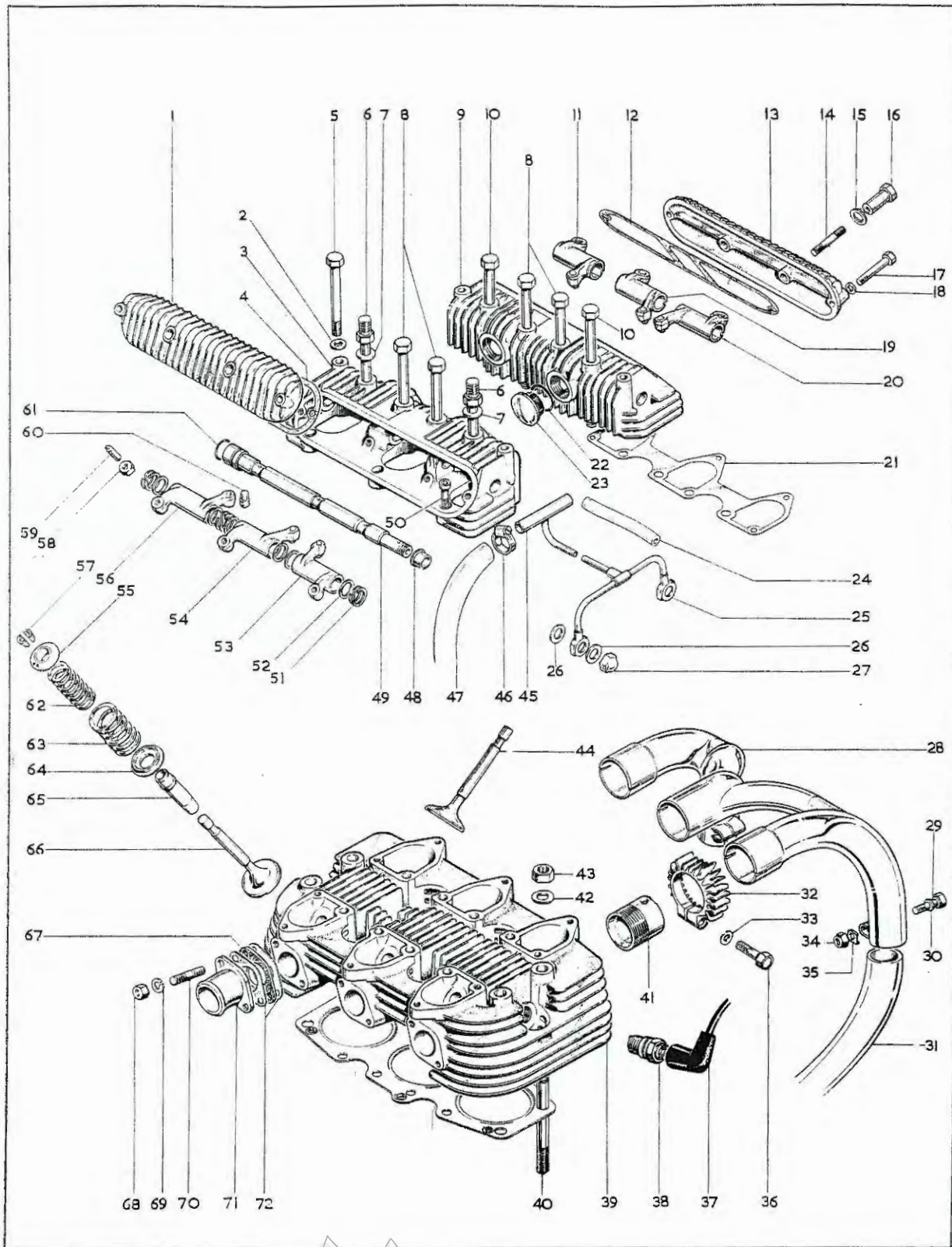


Plate 1

CYLINDER HEAD, ROCKER BOXES, EXHAUST PIPES

Plate Ref.	Spare Number	Description	Per Set
1.	70-6563	Inlet rocker box cover	
2.	54-9081	Washer, for bolt 14-6211	4
3.	70-6561	Inlet rocker box	
4.	70-6565	Rocker box cover gasket	
5.	14-6211	Bolt, rocker box to cylinder head ($\frac{1}{4}$ " U.N.C. \times 3")	4
6.	71-280*	Bolt, rocker box to barrel steady stay ($\frac{3}{8}$ " \times $\frac{5}{16}$ " U.N.F. \times 4 $\frac{1}{2}$ ")	2
7.	70-9240	Washer for bolt lines 6, 8 and 10 ($\frac{5}{8}$ " \times 21/64" \times 3/32")	8
8.	70-8820*	Bolt, rocker box to barrel (short)	4
9.	70-6562	Exhaust rocker box	
10.	70-8819*	Bolt, rocker box to barrel (long)	2
11.	70-9782	Exhaust rocker, drive-side	
12.	70-6565	Rocker box cover gasket	
13.	70-6564	Exhaust rocker box cover	
14.	14-1401	Stud (long), rocker box cover ($\frac{1}{4}$ " U.N.C./U.N.F. \times 1")	4
15.	70-9239	Washer, cover fixing nut (9/16" \times 25/64" \times $\frac{1}{16}$ ")	4
16.	70-9237	Sleeve nut, cover fixing	4
17.	14-201	Bolt, rocker box cover ($\frac{1}{4}$ " U.N.F. \times 1")	4
18.	54-9081	Washer, for bolt line 17	4
19.	70-9779	Exhaust rocker, centre	
20.	70-9780	Exhaust rocker, timing-side	
21.	70-8773	Rocker box gasket	2
22.	70-8782	"O" ring, inspection cap	4
23.	57-2166	Rocker box inspection cap	4
24.	70-6353	Connecting tube, oil feed pipes	
25.	70-9271	Rocker oil pipe, rocker spindle	
26.	40-159	Washer, oil pipe banjo	4
27.	21-550	Domed nut, oil pipe to rocker spindles ($\frac{3}{8}$ " U.N.F.)	2
28.	70-7990	Exhaust manifold	
29.	14-205	Bolt, exhaust pipe to manifold ($\frac{1}{4}$ " U.N.F. \times 1 $\frac{1}{2}$ ")	2
30.	54-9081	Washer, exhaust pipe to manifold bolt	4
31.	70-9460	Exhaust pipe, left-hand	
31.	70-9461	Exhaust pipe, right-hand	
32.	70-6743	Finned collar, exhaust pipe	3
33.	70-8860	Spherical washer, finned collar	3
34.	14-1201	Nut, for bolt line 29 ($\frac{1}{4}$ " U.N.F.)	2
35.	70-9626	Cap, for bolt line 29	4
36.	70-6744	Bolt, finned collar ($\frac{5}{16}$ " U.N.F. \times 1 $\frac{1}{16}$ ")	3
37.	19-7638	Spark plug cover (Ripault)	3
38.	19-7606	Spark plug (Champion N3)	3



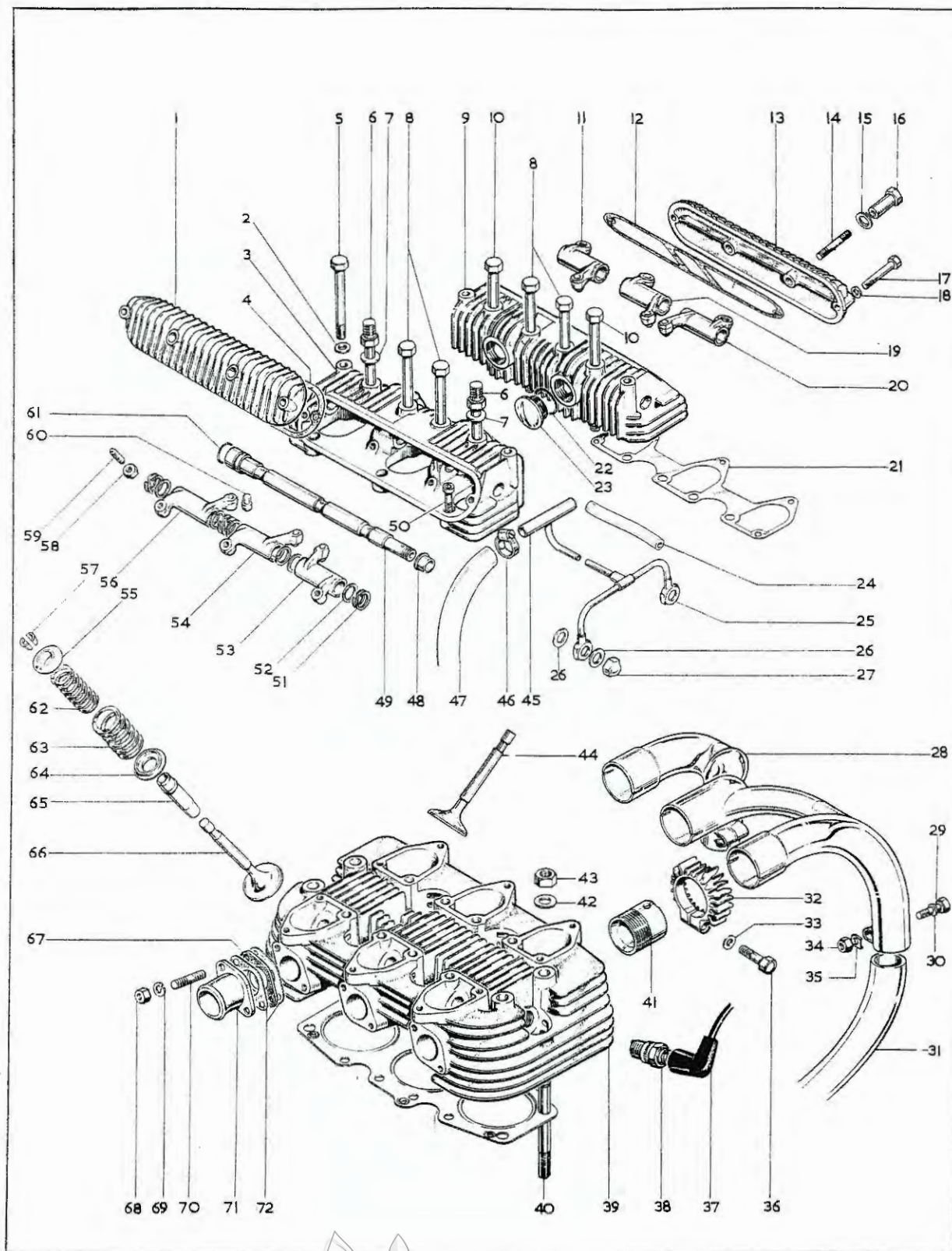


Plate 1—contd.

CYLINDER HEAD, ROCKER BOXES, EXHAUST PIPES

Plate Ref.	Spares Number	Description	Per Set
39.	70-8781	Cylinder head with fixed fittings	
30.	21-686*	Stud, head to barrel ($\frac{3}{8}$ " U.N.C./U.N.F. $\times 4\frac{3}{4}$ ")	4
41.	70-9510	Exhaust pipe adaptor	3
42.	2-861	Washer, head to barrel stud ($\frac{3}{8}$ " $\times \frac{3}{4}$ " $\times 3/32$ ")	4
43.	14-303	Nut, head to barrel stud ($\frac{3}{8}$ " U.N.F.)	4
44.	70-6423	Exhaust valve	3
45.	70-9274	Rocker oil pipe, engine to cooler	
46.	60-702	Clip, flexible oil pipe to rockers	2
47.	70-8905	Flexible oil pipe to rockers	
48.	70-6018	Bush, rocker spindle (timing-side)	2
49.	70-9558	Rocker spindle assembly	2
50.	14-7004	Screw, rocker box to cylinder head ($\frac{1}{4}$ " U.N.C. $\times \frac{3}{4}$ ")	6
51.	40-156	Spring washer, rocker spindle ($\frac{3}{4}$ " $\times 33/64$ " $\times 1/32$ ")	6
52.	40-158	Washer, rocker spindle ($\frac{1}{2}$ ")	12
53.	70-9779	Inlet rocker, timing-side	
54.	70-9780	Inlet rocker (centre)	
55.	70-8720	Top collar, valve spring	6
56.	70-9781	Inlet rocker, drive-side	
57.	40-167	Split collet, valve spring	12
58.	14-402	Adjusting pin nut, rocker lever ($\frac{5}{16}$ " U.N.F.)	6
59.	70-8783	Adjusting pin, rocker lever	6
60.	70-7651	Rocker ball pin	6
61.	75-124	"O" ring, drive-side bush	2
62.	70-8787	Valve spring (inner)	6
63.	70-8788	Valve spring (outer)	6
64.	70-8789	Cup, valve spring (bottom)	6
65.	70-6420	Valve guide	6
66.	70-6422	Inlet valve	3
67.	70-8981	Stub insulating washer (Tufnol)	3
68.	14-301	Nut, stub to cylinder head ($\frac{1}{4}$ " U.N.F.)	6
69.	40-2705	Spring washer, stub to cylinder head ($17/64$ " $\times 15/32$ " $\times \frac{1}{16}$ ")	6
70.	21-557	Stud, stub to cylinder head ($\frac{1}{4}$ " U.N.F./U.N.C. $\times 1-5/32$ ")	6
71.	70-7983	Stub, cylinder head	3
72.	70-8784	Gasket, carburettor adaptor	6

*Special material: 6.—EN16. 8.—EN16. 10.—EN16. 40.—EN8.



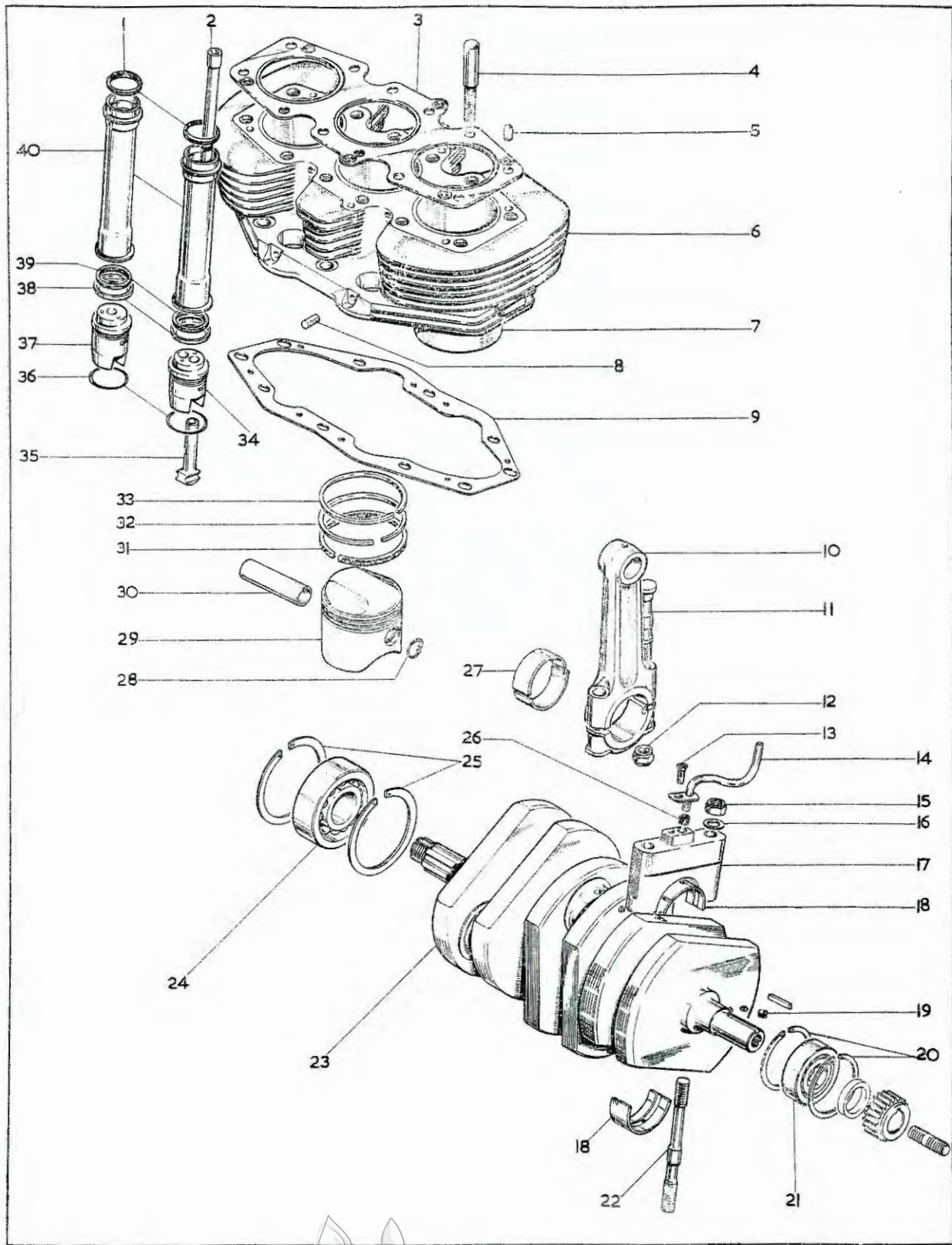


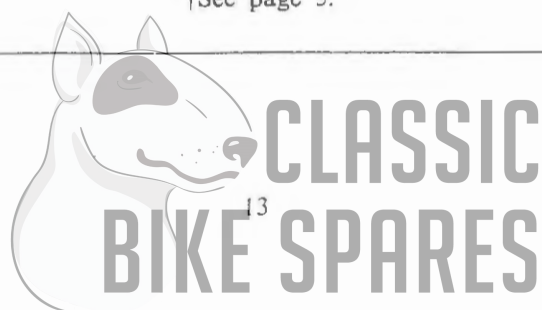
Plate 2

CYLINDER, PISTONS AND CRANKSHAFT

Plate Ref.	Spares Number	Description	Per Set
1.	70-4752	Joint washer, push rod cover (top)	4
2.	70-6506	Push rod, inlet and exhaust	6
3.	70-9972	Cylinder head gasket	6
4.	70-8817*	Stud, cylinder barrel	8
5.	70-1532	Dowel, cylinder head to barrel	6
6.	70-6529	Cylinder barrel assembly	6
7.	70-8914	Cylinder barrel liner	3
8.	70-9465	Dowel, tappet block	4
9.	70-6496	Cylinder base gasket	4
10.	70-9740	Connecting rod complete	3
11.	70-9727*	Connecting rod bolt ($\frac{5}{16}$ " U.N.F. \times 2-37/64")	6
12.	21-549	Nut, connecting rod bolt ($\frac{5}{16}$ " U.N.F.)	6
13.	40-242	Screw, oil pipe to bearing cap (2 B.A. \times 27/64" countersunk)	2
14.	70-8746	Tappet oil feed pipe, drive-side	4
14.	70-8748	Tappet oil feed pipe, timing-side	4
15.	14-1203	Locknut, bearing cap ($\frac{3}{8}$ " U.N.F.)	4
16.	54-4307	Washer, bearing cap nut	4
17.	70-7423	Main bearing cap	2
18.	70-6023	Main bearing shell (standard)	4
18.	70-9027	Main bearing shell (.010" undersize)	4
18.	70-9028	Main bearing shell (.020" undersize)	4
18.	70-9029	Main bearing shell (.030" undersize)	4
18.	70-9030	Main bearing shell (.040" undersize)	4
19.	70-6577	Crankshaft oilway plug	3
20.	70-6026	Bearing circlip, timing-side	2
21.	70-8780	Crankshaft bearing, timing-side (Hoffman R.125)	4
22.	70-8745*	Stud, main bearing cap ($\frac{3}{8}$ " U.N.F./U.N.C. \times 4 $\frac{7}{8}$ ")	4
23.	70-8778	Crankshaft assembly	4
24.	70-1591	Crankshaft bearing, drive-side (Hoffman MS.11)	4
25.	70-6025	Bearing circlip, drive-side	2
26.	70-9843	Rubber seal, tappet feed pipe	4
27.	70-5998	Shell bearing, connecting rod (standard)	6
27.	70-9023	Shell bearing, connecting rod (.010" undersize)	6
27.	70-9024	Shell bearing, connecting rod (.020" undersize)	6
27.	70-9025	Shell bearing, connecting rod (.030" undersize)	6
27.	70-9026	Shell bearing, connecting rod (.040" undersize)	6
28.	70-6840	Gudgeon pin circlip	6
29.	70-9741†	Piston complete (standard)	3
30.	70-6836	Gudgeon pin	3
31.	70-9739†	Piston scraper ring (standard)	3
32.	70-6838†	Piston compression ring, centre (standard)	3
33.	70-6838†	Piston compression ring, top (standard)	3
34.	70-6509	Tappet block, timing-side	2
35.	70-8917	Inlet and exhaust tappet	6
36.	70-6560	"O" ring, tappet block	4
37.	70-6508	Tappet block, drive-side	2
38.	70-4746	Cup, push rod cover (bottom)	4
39.	70-4752	Joint washer, push rod cover (bottom)	4
40.	70-6955	Push rod cover	4

*Special material: 4.—EN8R. 11.—3AE.4042, condition \times 75 ton. 22.—EN16.

†See page 5.



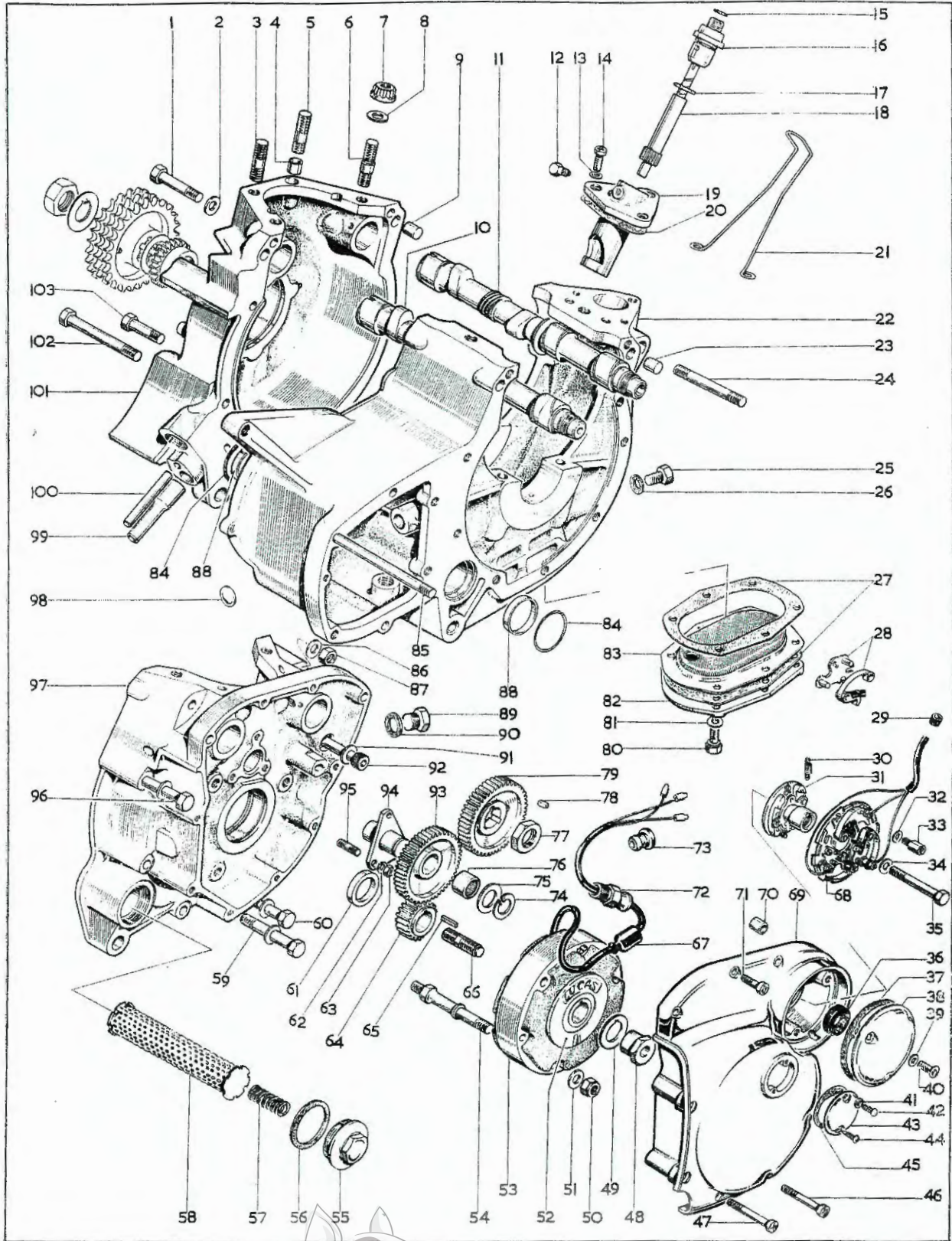
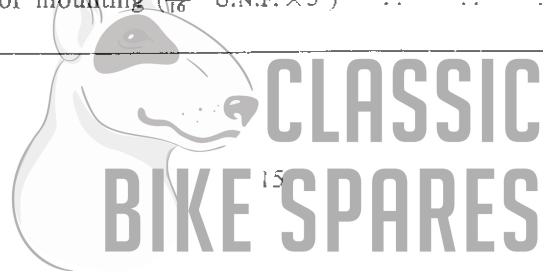


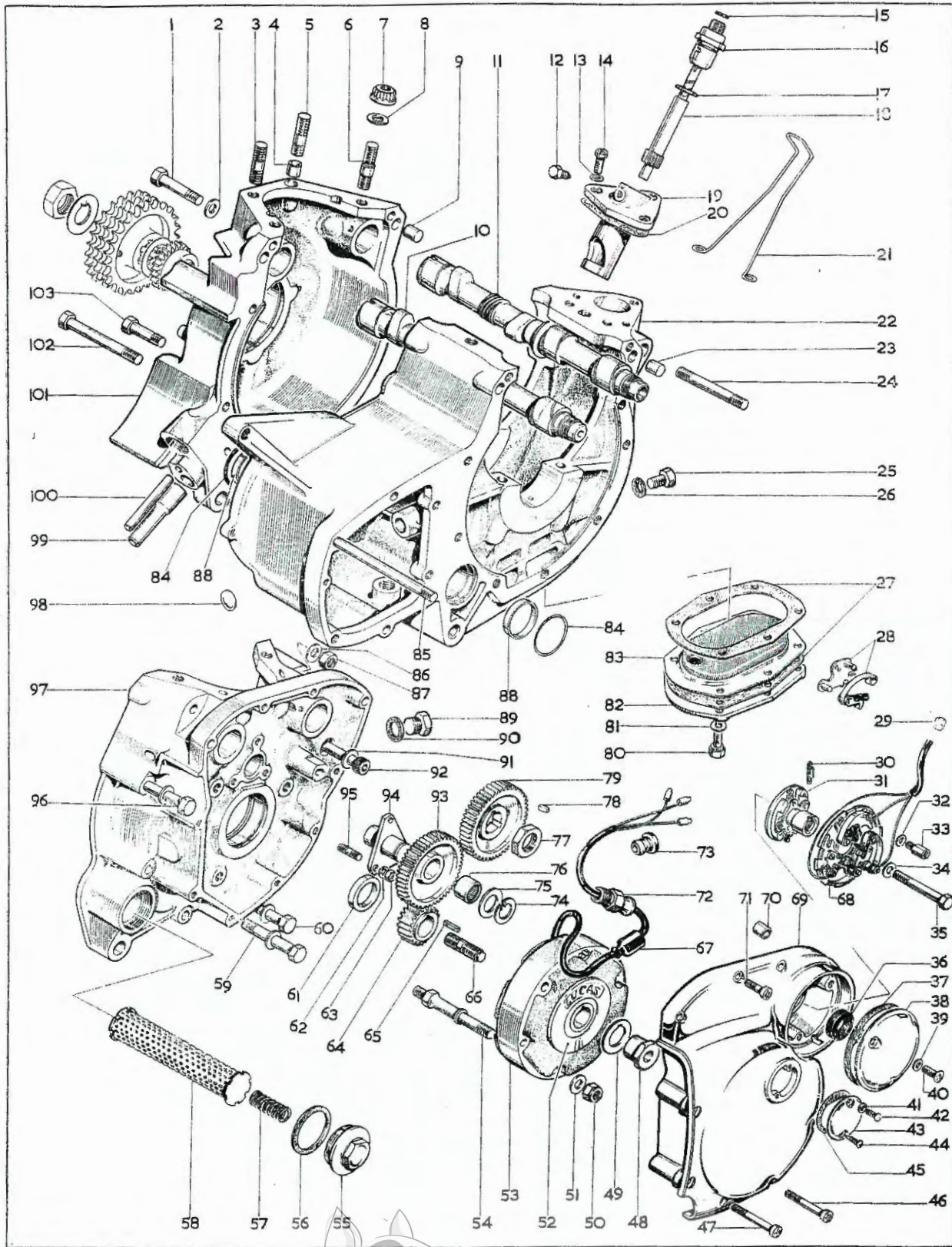
Plate 3

CRANKCASE AND TIMING GEARS

Plate Ref.	Spares Number	Description	Per Set
1.	14-6220	Bolt, crankcase ($\frac{5}{16}$ " U.N.C. \times 1 $\frac{3}{4}$ ")	2
2.	54-55	Washer, crankcase bolt ($\frac{5}{16}$ " \times $\frac{5}{8}$ " \times $\frac{1}{16}$ ")	8
3.	21-1931*	Stud, cylinder base ($\frac{3}{8}$ " U.N.C./U.N.F. \times 1 $\frac{3}{4}$ ")	4
4.	70-8751	Dowel, cylinder base	2
5.	70-8738*	Stud, cylinder base dowel ($\frac{3}{8}$ " U.N.F. \times 1-13/16")	2
6.	21-1912*	Stud, cylinder base ($\frac{3}{8}$ " U.N.C./U.N.F. \times 1 $\frac{5}{8}$ ")	4
7.	21-692	Nut, cylinder base stud (12 point $\frac{3}{8}$ " U.N.F.)	10
8.	70-8770	Washer, for nut line 7	10
9.	70-8774	Dowel, drive-side	2
10.	70-8764	Inlet camshaft	
11.	70-8765	Exhaust camshaft	
12.	70-8744	Locating bolt ($\frac{1}{4}$ " U.N.C. \times 13/32")	
13.	90-262	Washer, for screw line 14	2
14.	14-6606	Screw, tachometer housing to crankcase ($\frac{1}{4}$ " U.N.C. \times $\frac{3}{4}$ ")	3
15.	70-6299	"O" ring, driven gear	
16.	70-8742	Bearing housing, tachometer drive	
17.	40-323	"O" ring, tachometer drive	
18.	70-8741	Driven gear, tachometer drive	
19.	70-8740	Driven gear housing, tachometer drive	
20.	70-8739	Gasket, tachometer drive	
21.	70-9706	Support wire, tachometer cable	
22.	70-7735†	Crankcase, centre section	
23.	70-8774	Dowel, timing-side	2
24.	14-1427	Stud, crankcase ($\frac{5}{16}$ " U.N.C./U.N.F. \times 3")	2
25.	14-6113	Oilway plug ($\frac{5}{16}$ " U.N.C. \times $\frac{5}{8}$ ")	2
26.	70-8776	Oilway plug washer	2
27.	70-6516	Scavenge cover gasket	2
28.	19-1865	Contact set (Lucas 54419828)	
29.	70-8756	Grommet, contact breaker leads	
30.		Spring, auto-advance unit (Lucas 54415642)	2
31.	19-1864	Auto-advance unit (Lucas 54419867)	
32.	70-6559	Washer, contact breaker plate	3
33.	70-6521	Pillar bolt, contact breaker plate (2 B.A. \times 1-5/32")	3
34.	68-331	Washer, auto-advance bolt line 35	
35.	14-208	Bolt, auto-advance unit ($\frac{1}{4}$ " U.N.F. \times 2 $\frac{1}{4}$ ")	
36.	76-291	Oil seal, contact breaker	
37.	70-6572	Cover gasket, contact breaker	
38.	70-6519	Contact breaker cover	
39.	54-170	Washer, cover screw line 40	3
40.	54-9012	Screw, contact breaker cover (2 B.A. \times 13/32")	3
41.	70-9266	Washer, for screw lines 42 and 44	2
42.	71-7	Screw, timing aperture (4 B.A. \times $\frac{1}{16}$ ")	
43.	70-7879	Cover, timing aperture	
44.	71-6	Pointer screw, timing aperture (4 B.A. \times 11/16")	
45.	70-7880	Gasket, timing aperture	
46.	14-6611	Screw, timing cover ($\frac{1}{4}$ " U.N.C. \times 1 $\frac{3}{4}$ ")	
47.	14-6612	Screw, timing cover ($\frac{1}{4}$ " U.N.C. \times 2")	4
48.	70-8763	Nut, rotor mounting ($\frac{7}{16}$ " U.N.F.)	
49.	75-223	Lockwasher, rotor mounting	
50.	21-677	Locknut, stator mounting ($\frac{5}{16}$ " U.N.F.)	3
51.	54-55	Washer, stator mounting ($\frac{5}{16}$ " \times $\frac{5}{8}$ " \times $\frac{1}{16}$ ")	3
52.	19-1260	Alternator rotor (Lucas 54213902)	
53.	19-1259	Alternator stator (Lucas 47209)	
54.	70-6522*	Stud, stator mounting ($\frac{1}{16}$ " U.N.F. \times 3")	3



CLASSIC
BIKE SPARES



CRANKCASE AND TIMING GEARS

Plate Ref.	Spares Number	Description	Per Set
55.	70-6582	Cap, main oil filter	
56.	70-6131	Fibre washer, filter cap	
57.	70-6130	Spring, filter mounting	
58.	70-6571	Main oil filter (Fram CA.2818)	
59.	14-6226	Bolt, crankcase clamping ($\frac{5}{16}$ " U.N.C. \times $3\frac{1}{4}$ ")	4
60.	14-6218	Bolt, crankcase clamping ($\frac{5}{16}$ " U.N.C. \times $1\frac{3}{8}$ ")	
61.	70-6173	Distance piece, timing pinion	
62.	54-22	Washer, gear spindle stud	3
63.	14-401	Locknut, gear spindle stud ($\frac{1}{4}$ " U.N.F.)	3
64.	70-6524	Timing pinion, crankshaft	
65.	70-3974	Key, crankshaft pinion and rotor	
66.	21-548*	Stud, crankshaft ($\frac{7}{16}$ " U.N.F./U.N.F. \times $1\frac{3}{8}$ ")	
67.	68-209	Grommet, for cable seal nut	
68.	19-1863	Contact breaker plate (Lucas 54419327)	
69.	70-7738	Timing gear cover	
70.	76-217	Dowel, timing cover	2
71.	14-6608	Screw, timing cover to crankcase ($\frac{1}{4}$ " U.N.C. \times 1 ")	5
72.	70-8760	Cable sleeve nut	
73.	70-9807	Grommet, alternator leads	
74.	70-8768	Circlip, intermediate gear	
75.	70-6088	Thrust washer, intermediate gear	
76.	70-7650	Needle bearing (Torrington B.1110)	
77.	70-6523	Nut, camshaft pinion	2
78.	70-1558	Key, camshaft pinion	2
79.	70-9802	Camshaft pinion	2
80.	14-6103	Bolt, scavenge cover ($\frac{1}{4}$ " U.N.C. \times $\frac{5}{8}$ ")	6
81.	54-22	Spring washer, scavenge cover bolt	6
82.	70-6580	Scavenge cover	
83.	70-6501	Scavenge cover filter	
84.	70-8779	"O" ring, filter seal	2
85.	21-1813	Stud, gearbox cover ($\frac{5}{16}$ " U.N.C./U.N.F. \times $4\frac{3}{4}$ ")	2
86.	54-55	Washer, crankcase stud ($\frac{5}{16}$ " \times $\frac{5}{8}$ " \times $\frac{1}{16}$ ")	2
87.	14-302	Nut, crankcase stud ($\frac{5}{16}$ " U.N.F.)	2
88.	70-9856	Sleeve, for filter "O" ring	2
89.	70-8755	Plug, timing aperture	
90.	70-1523	Fibre washer, for plug line 89	
91.	54-55	Washer, crankcase bolt ($\frac{5}{16}$ " \times $\frac{5}{8}$ " \times $\frac{1}{16}$ ")	7
92.	21-678	Socket screw, crankcase clamping ($\frac{5}{16}$ " U.N.C. \times $3\frac{7}{8}$ ")	
93.	70-6727	Intermediate gear complete	
94.	70-6030	Intermediate gear spindle	
95.	21-547	Stud, intermediate gear spindle ($\frac{1}{4}$ " U.N.C./U.N.F. \times $\frac{7}{8}$ ")	3
96.	14-6223	Bolt, crankcase clamping ($\frac{5}{16}$ " U.N.C. \times $2\frac{1}{2}$ ")	
97.	70-7737†	Crankcase, timing-side	
98.	57-1920	Blanking plug	
99.	70-6573	Oil return pipe stub	
100.	70-6574	Oil feed pipe stub	
101.	70-7733†	Crankcase, drive-side	
102.	14-6226	Bolt, crankcase clamping ($\frac{5}{16}$ " U.N.C. \times $3\frac{1}{4}$ ")	5
103.	14-6218	Bolt, crankcase clamping ($\frac{5}{16}$ " U.N.C. \times $1\frac{3}{8}$ ")	

*Special material: 3.—EN16R. 5.—EN8R. 6.—EN8R. 54.—EN8R. 66.—EN8R.

†Supplied only as crankcase complete, number 70-7869.



Plate 4

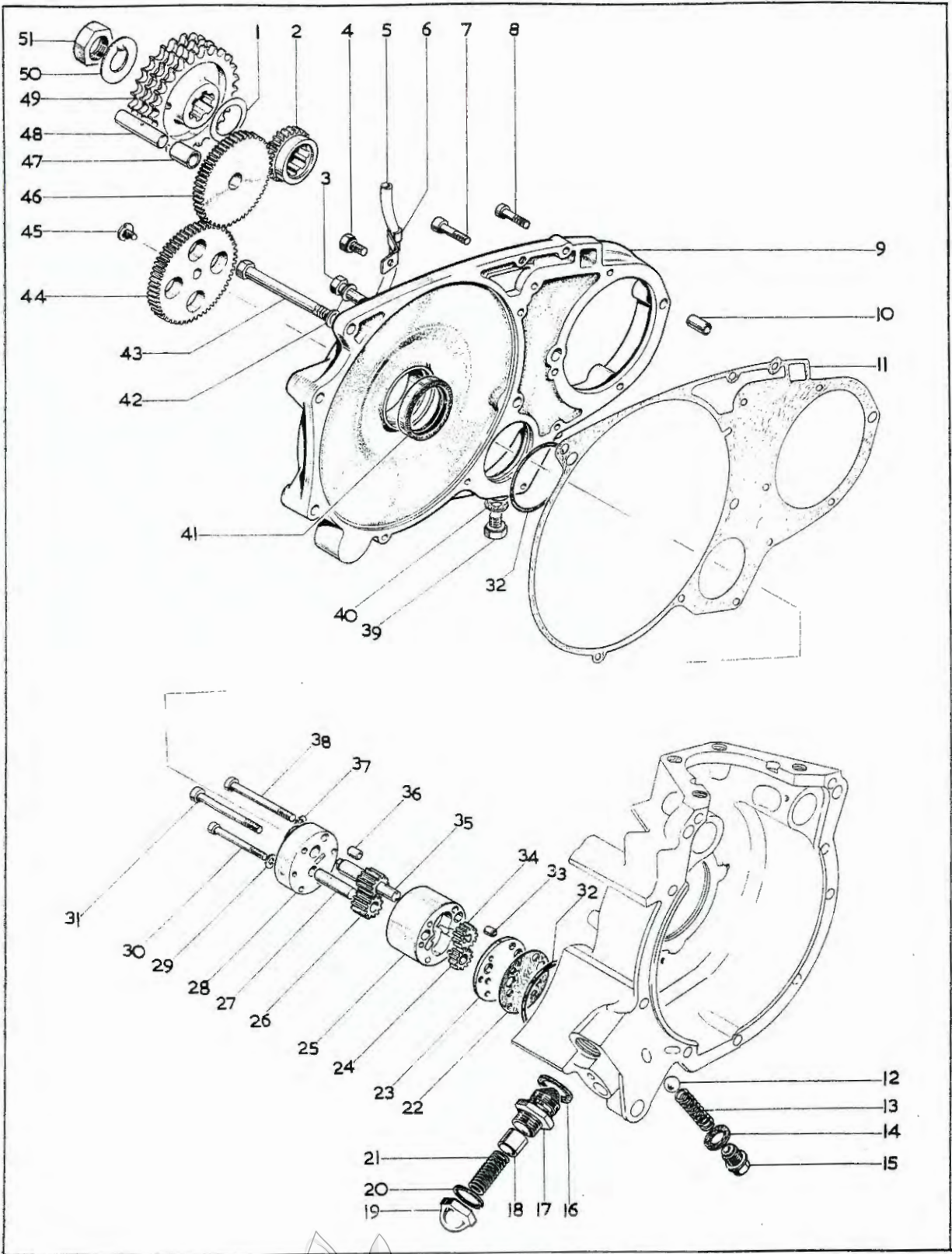


Plate 4

INNER PRIMARY COVER, OIL PUMP AND GEARS

Plate Ref.	Spares Number	Description	Per Set
1.	70-9634	Shim, engine sprocket (as required, maximum 4)	
2.	70-7248	Driving gear, oil pump	
3.	21-1820	Bolt, inner cover to crankcase ($\frac{5}{16}$ " U.N.C. \times $4\frac{1}{2}$ ")	
4.	14-6101	Bolt, chain oiler clip ($\frac{1}{4}$ " U.N.C. \times $\frac{1}{2}$ ")	
5.	70-8786	Chain oiler pipe	
6.	70-4705	Clip, chain oiler pipe	
7.	14-7006	Socket screw, inner cover to crankcase ($\frac{1}{4}$ " U.N.C. \times 1 ")	7
8.	14-6606	Screw (short), inner cover to crankcase ($\frac{1}{4}$ " U.N.C. \times $\frac{3}{4}$ ")	2
9.	57-3641	Inner primary cover with fixed fittings	
10.	76-217	Dowel, inner chaincase to crankcase	
11.	57-2558	Gasket, inner cover to crankcase	
12.	70-8750	Ball, oil control valve ($\frac{7}{16}$ " diameter, 11.1125 mm.)	
13.	70-6567	Spring, oil control valve	
14.	70-6742	Fibre washer, oil control valve	
15.	70-6584	Plug, oil control valve	
16.	70-1670	Fibre washer, valve body to crankcase	
17.	70-7590	Body, pressure release valve	
17.	70-6595	Oil pressure release valve complete	
18.	70-8752	Piston, pressure release valve	
19.	70-6596	Domed nut, pressure release valve	
20.	70-8754	Fibre washer, release valve nut to body	
21.	70-7591	Spring, pressure release valve	
22.	70-6503	Gasket, oil pump to crankcase	
23.	70-6502	Oil pump base plate	
24.	70-6038	Oil pump driven feed gear	
25.	70-6430	Oil pump body	
26.	70-6039	Oil pump driven scavenge gear	
27.	70-6454	Spindle, for driven gears	
28.	70-6525	Oil pump cover	
29.	70-8731	Spring washer, oil pump cover screw line 30 ($11/64$ " \times 18 G.)	2
30.	21-559	Screw, oil pump cover to body (3 B.A. \times 2")	2
31.	71-3	Screw, oil pump to crankcase (2 B.A. \times $2\frac{1}{2}$ ")	3
32.	70-6570	Seal, oil pump to crankcase and cover	2
33.	70-1532	Dowel, oil pump to crankcase	
34.	70-6455	Oil pump feed driving gear	
35.	70-6889	Oil pump scavenge driving gear	
36.	70-6459	Dowel, oil pump cover to body	
37.	70-8732	Spring washer, oil pump screw line 31 ($13/64$ " \times 16 G.)	4
38.	70-9601	Screw, oil pump to crankcase — dowel position (2 B.A. \times $2\frac{3}{4}$ ")	
39.	21-536	Drain plug	
40.	70-402	Fibre washer, drain plug	
41.	57-3642	Oil seal, clutch shaft	
42.	54-55	Washer, inner cover to crankcase bolt ($\frac{5}{16}$ " \times $\frac{5}{8}$ " \times $\frac{1}{16}$ ")	2
43.	21-1819	Bolt (long), inner cover to crankcase ($\frac{5}{16}$ " U.N.C. \times $4\frac{1}{4}$ ")	
44.	70-7249	Oil pump driven gear	
45.	70-7250	Screw, driven gear to scavenge gear (2 B.A. \times $\frac{3}{8}$ ")	
46.	70-7246	Intermediate gear, oil pump drive	
47.	70-6885	Bush, intermediate oil pump gear	
48.	70-6881	Intermediate gear spindle	
49.	70-6890	Engine sprocket (28 teeth)	
50.	70-8785	Lockwasher, engine sprocket	
51.	21-585	Nut, engine sprocket ($\frac{3}{4}$ " U.N.F.)	
	70-9001	Oil pump complete	



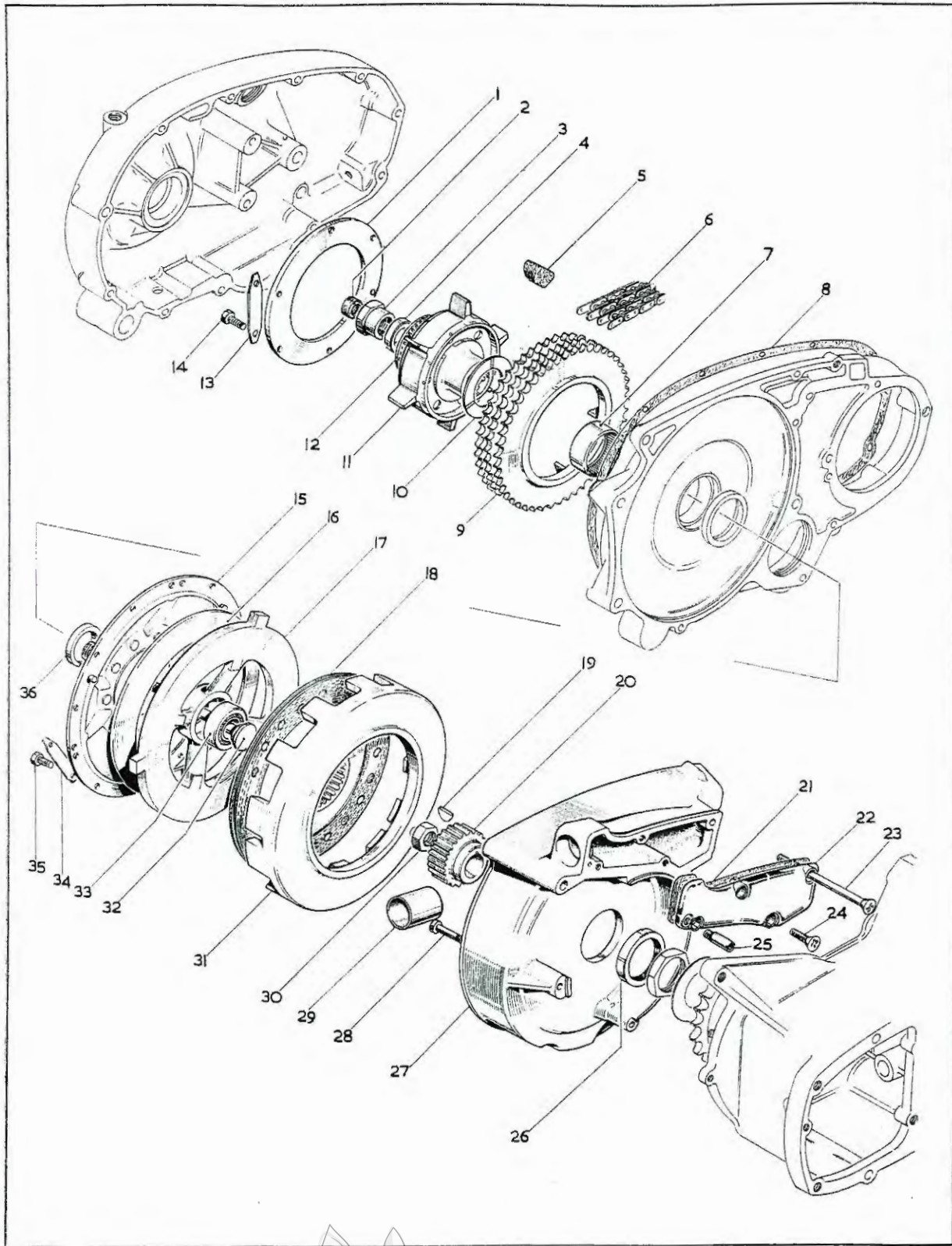


Plate 5

CLUTCH

Plate Ref.	Spares Number	Description	Per Set
1.	57-4004	Retaining plate, shock absorber	
2.	57-3644	Oil seal, clutch pull rod	
3.	57-2480	Nut, shock absorber	
4.	57-2478	Spacer, shock absorber nut	
5.	68-3282	Shock absorber rubber	12
6.	19-8692	Primary chain (Triplex, 82 pitch)	
7.	57-3643	Needle bearing, clutch shaft (INA. SC.228)	
8.	57-2581	Gasket, inner cover to outer cover	
9.	57-2245	Clutch sprocket (50T)	
10.	57-2214	Thrust washer, clutch sprocket	
11.	57-2471	Spider, clutch shock absorber	
12.	57-3646	Thrust race, clutch shaft (Torrington NTA.2233)	
13.	57-3941	Tab washer for bolt line 14	3
14.	57-3940	Bolt, shock absorber retaining plate (2 B.A. $\times \frac{5}{8}$ ")	6
15.	19-7801	Clutch end cover assembly	
16.	19-7805	Clutch spring	
17.	19-7804	Clutch pressure plate complete	
18.	19-7803	Clutch friction plate	
19.	68-3218	Key, hub to mainshaft	
20.	57-2580	Clutch hub	
21.	57-2556	Gasket, breather duct	
22.	57-2555	Breather duct cover	
23.	14-6515	Screw, cover to inner chaincase ($\frac{1}{4}$ " U.N.C. $\times 4$ ")	
24.	21-680	Screw, cover to clutch cover (number 10 U.N.C. $\times \frac{5}{8}$ ")	3
25.	57-3756	Adaptor for oil tank breather pipe	
26.	57-3642	Oil seal, cover to mainshaft	
27.	57-2554	Clutch cover	
28.	14-6610	Screw, cover to crankcase ($\frac{1}{4}$ " U.N.C. $\times 1\frac{1}{2}$ ")	3
29.	57-2557	Tube, clutch cover	
30.	21-681	Nut, hub to mainshaft ($\frac{9}{16}$ " U.N.F.)	
31.	19-7802	Clutch housing	
32.	57-2552	Clutch pull rod	
33.	19-7808	Bearing, clutch pressure plate	
34.	19-7807	Lockwasher, end cover to housing bolt	6
35.	19-7806	Bolt, end cover to housing	12
36.	57-2479	Sleeve, mainshaft oil seal	
	19-7800	Clutch assembly complete	
	19-7809	Facing pack for friction plate (3SC.76014)	
	57-3871	Shock absorber assembly	



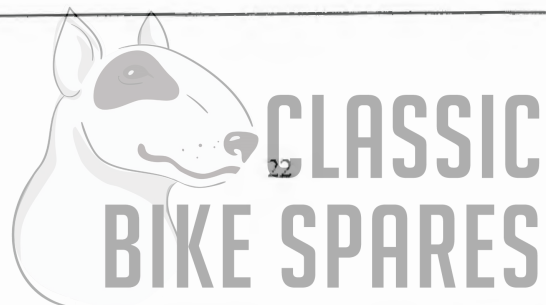
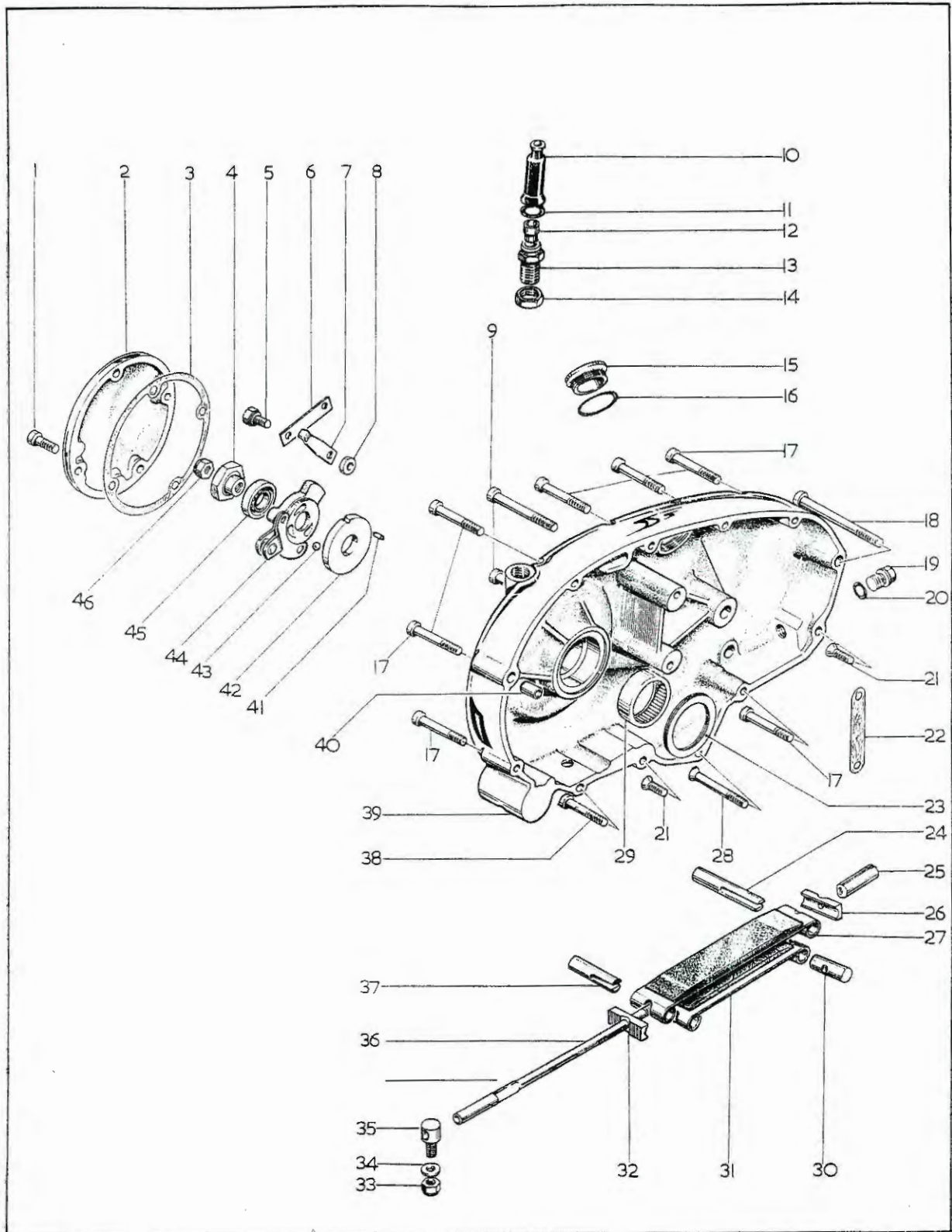
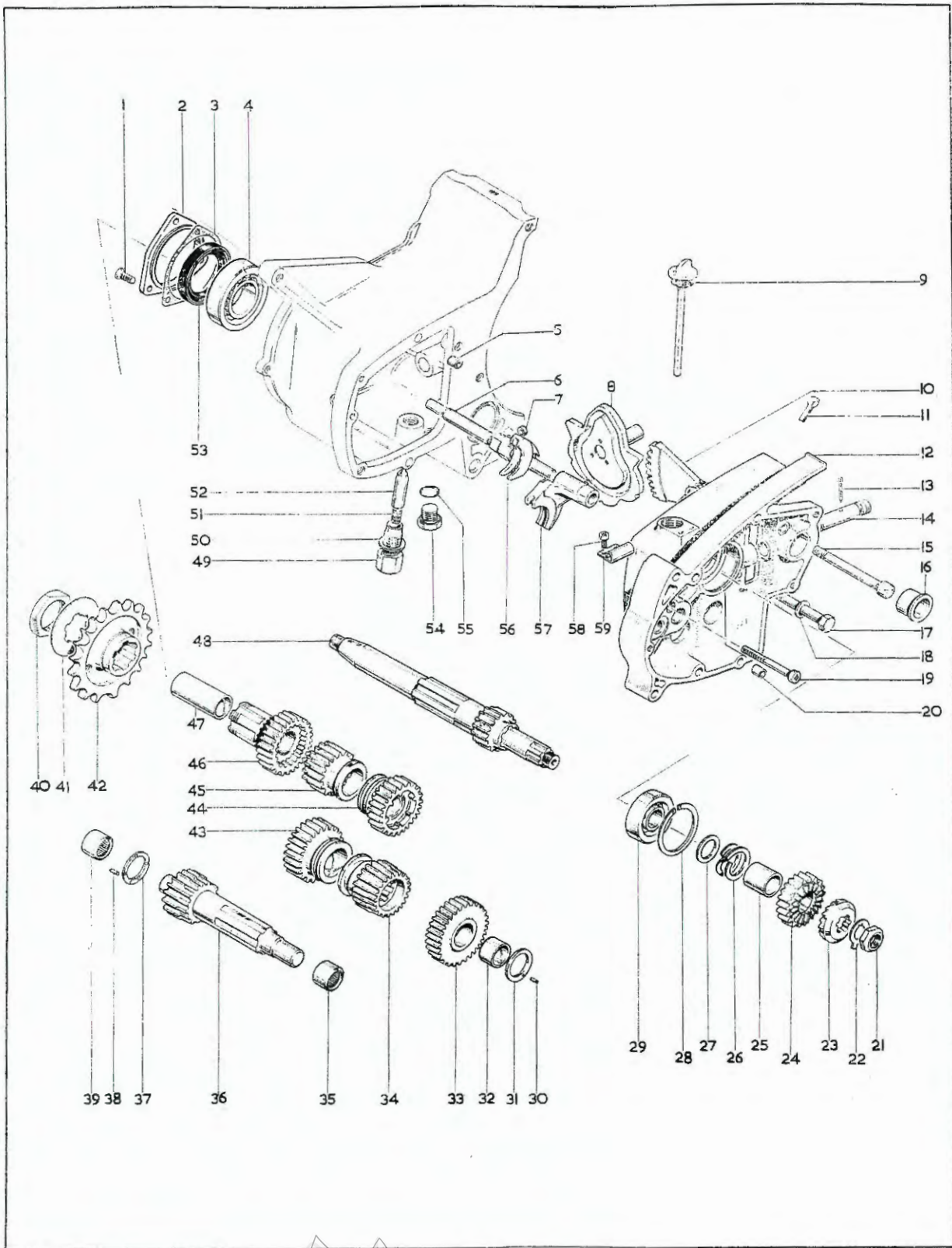


Plate 6
PRIMARY CASE OUTER COVER, CHAIN TENSIONER, CLUTCH CONTROL

<i>Plate Ref.</i>	<i>Spares Number</i>	<i>Description</i>	<i>Per Set</i>
1.	14-6605	Screw, inspection cover ($\frac{1}{4}$ " U.N.C. \times $\frac{5}{8}$ ")	4
2.	57-3954	Inspection cover	
3.	57-3955	Inspection cover gasket	
4.	57-2553	Sleeve nut ($\frac{5}{16}$ " U.N.F.)	
5.	14-6102	Bolt, clutch thrust plate spring ($\frac{1}{4}$ " U.N.C. \times $\frac{5}{8}$ ")	2
6.	57-2474	Tab washer, for bolt line 5	
7.	57-2473	Spring, clutch thrust plate	2
8.	57-3638	Distance piece, clutch thrust plate spring	2
9.	14-6613	Screw, primary outer cover ($\frac{1}{4}$ " U.N.C. \times $2\frac{1}{4}$ ")	2
10.	68-3264	Clutch cable grommet	
11.	57-3733	Sealing ring, clutch cable	
12.	57-1645	Adaptor, clutch cable	
13.	57-2220	Abutment for clutch cable	
14.	21-567	Locknut for abutment ($\frac{1}{2}$ " U.N.C.)	
15.	57-2166	Oil filler plug	
16.	70-8782	"O" ring for filler plug	
17.	14-6611	Screw, primary outer cover ($\frac{1}{4}$ " U.N.C. \times $1\frac{3}{4}$ ")	7
18.	14-6615	Screw, primary outer cover ($\frac{1}{4}$ " U.N.C. \times 3")	
19.	57-3619	Plug, tensioner hole	
20.	57-3620	"O" ring for tensioner hole plug	
21.	14-6504	Screw, primary outer cover ($\frac{1}{4}$ " U.N.C. \times $\frac{3}{4}$ " countersunk head)	2
22.	57-2244	Inner gasket, primary outer cover	
23.	57-2215	Thrust washer, primary outer cover	
24.	57-3614	Pivot pin, chain tensioner	
25.	57-3617	Adjuster, chain tensioner	
26.	70-9258	Saddle washer, adjuster end	
27.	57-3610	Chain tensioner blade (upper)	
28.	14-6509	Screw, primary outer cover ($\frac{1}{4}$ " U.N.C. \times $1\frac{3}{4}$ " countersunk head)	
29.	57-3643	Needle bearing (INA. SC.228)	
30.	70-5977	Trunnion, lower tensioner blade	2
31.	70-6061	Chain tensioner blade (lower)	
32.	70-9258	Saddle washer, chain tensioner (rear)	
33.	14-1901	Nut, chain tensioner support ($\frac{1}{4}$ " U.N.F.)	
34.	57-3987	Washer, chain tensioner support	
35.	57-3986	Support, chain tensioner	
36.	57-3983	Tie rod, chain tensioner	
37.	70-9256	Trunnion, chain tensioner	
38.	14-6610	Screw, primary outer cover ($\frac{1}{4}$ " U.N.C. \times $1\frac{1}{2}$ ")	
39.	57-3958	Primary outer cover assembly	
40.	76-217	Dowel, outer to inner chaincase	2
41.	57-912	Peg, clutch thrust plate	
42.	57-2465	Clutch thrust plate	
43.	97-2704	Steel ball ($\frac{1}{4}$ " diameter, 6.35 mm.)	3
44.	57-2547	Clutch lever	
45.	57-3647	Bearing, clutch lever (Hoffman S5)	
46.	14-402	Locknut ($\frac{5}{16}$ " U.N.F.)	





GEARBOX

Plate Ref.	Spare Number	Description	Per Set
1.	21-1811	Screw, housing to gearbox ($\frac{1}{4}$ " U.N.F. countersunk head)	3
2.	57-3633	Oil seal housing assembly, gearbox mainshaft	
3.	57-2165	Gasket, housing to gearbox	
4.	57-448	Bearing, gearbox mainshaft (Hoffman N.1443)	
5.	76-217	Dowel, gearbox inner cover	2
6.	57-291	Selector fork spindle	
7.	57-2595	Cam plate roller	2
8.	57-3650	Cam plate assembly	
9.	57-2656	Gearbox dipstick	
10.	57-397	Gear selector quadrant	
11.	40-9190	Alternator cable clip	
12.	57-2601	Gearbox inner cover	
13.	60-1928	Split pin, quadrant spindle ($5/64" \times 1\frac{3}{8}"$)	2
14.	57-1896	Spindle, selector quadrant	
15.	14-7101	Socket screw, inner cover to crankcase ($\frac{5}{16}"$ U.N.C. $\times 3\frac{1}{4}"$)	
16.	57-412	Bush, footchange spindle	
17.	14-6121	Bolt, inner cover to crankcase ($\frac{5}{16}"$ U.N.C. $\times 2\frac{1}{2}"$)	
18.	75-176	Washer, for bolt line 17	
19.	14-6614	Screw, inner cover to crankcase ($\frac{1}{4}"$ U.N.C. $\times 2\frac{1}{2}"$)	2
20.	76-217	Dowel, inner cover to outer cover	2
21.	21-594	Nut, mainshaft timing-side ($9/16"$ U.N.F.)	
22.	57-732	Lockwasher, mainshaft nut	
23.	57-731	Kickstart ratchet	
24.	57-2170	Kickstart ratchet pinion	
25.	57-1963	Bush, kickstart ratchet pinion	
26.	57-1250	Spring, kickstart ratchet	
27.	57-1962	Washer, kickstart pinion sleeve	
28.	42-5821	Circlip, mainshaft bearing	
29.	57-3621	Bearing, mainshaft inner cover (Hoffman LS.8)	
30.	57-912	Peg, thrust washer	
31.	57-1607	Layshaft thrust washer	
32.	57-928	Bush, layshaft low gear	
33.	57-3862	Layshaft low gear complete	
34.	57-3860	Layshaft third gear	
35.	57-1614	Layshaft needle bearing, inner cover (Torrington B.1112)	
36.	57-3864	Layshaft with high gear	
37.	57-1607	Layshaft thrust washer	
38.	57-912	Peg, thrust washer (drive-side)	
39.	57-1606	Layshaft needle bearing (Torrington 11121)	
40.	21-542	Nut, gearbox final drive sprocket ($1\frac{1}{4}"$ U.N.F.)	
41.	57-2116	Lockwasher, sprocket nut ($2\frac{1}{8}" \times 22$ G.)	
42.	57-1918	Gearbox final drive sprocket (19 teeth)	
43.	57-3861	Layshaft second gear	
44.	57-3858	Mainshaft third gear	
45.	57-3857	Mainshaft second gear	
46.	57-2176	Mainshaft high gear complete	
47.	57-3785	Bush, mainshaft high gear	
48.	57-2174	Mainshaft with low gear	
49.	57-2172	Bush, cam plate plunger	
50.	57-3978	Washer, cam plate plunger bush	
51.	57-3661	Spring, cam plate plunger	
52.	57-44	Cam plate plunger	
53.	57-3634	Oil seal, gearbox mainshaft final drive	
54.	21-1857	Gearbox drain plug	
55.	68-3168	"O" ring, drain plug	
56.	57-2596	Mainshaft selector fork	
57.	57-913	Layshaft selector fork	
58.	21-1862	"Taptite" screw, cable clip (number 6 U.N.C.)	2
59.	70-9327	Cable clip	

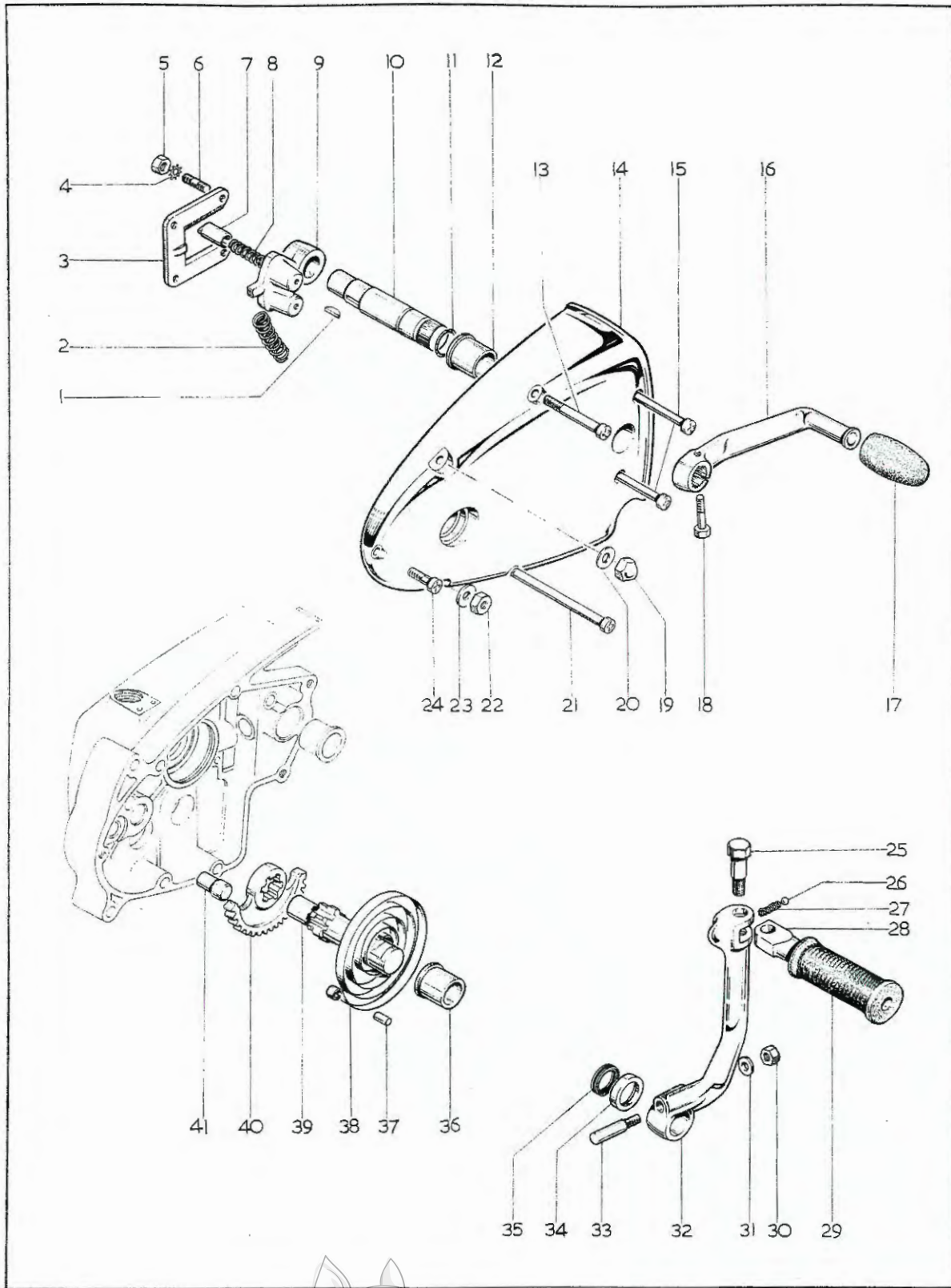
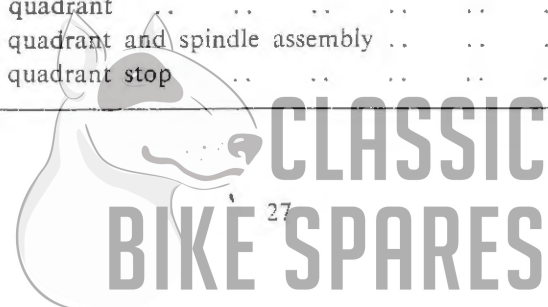


Plate 8

GEARBOX COVER, GEARCHANGE AND KICKSTART CRANK

Plate Ref.	Spares Number	Description	Per Set
1.	71-37	Key, quadrant to spindle	
2.	57-404	Return spring, footchange pedal	2
3.	57-407	Gear control guide plate	
4.	29-541	Lockwasher, gear control guide plate (17/64" x 15/32" x .024")	4
5.	14-301	Nut, gear control guide plate (1/4" U.N.F.)	4
6.	21-547	Stud, gear control guide plate (1/4" U.N.C./U.N.F. x 7/8")	4
7.	57-406	Plunger, footchange quadrant	2
8.	57-405	Spring, footchange quadrant	2
9.	57-409	Footchange plunger quadrant	
10.	57-3758	Footchange pedal spindle	
11.	40-323	Oil seal ring, footchange	
12.	57-3759	Bush, footchange shaft	
13.	14-6613	Screw, outer to inner cover (1/4" U.N.C. x 2 1/4")	
14.	57-2603	Gearbox outer cover	
15.	14-6615	Screw, outer to inner cover (1/4" U.N.C. x 3")	2
16.	57-3757	Footchange pedal	
17.	89-3208	Footchange pedal rubber	
18.	14-201	Footchange pedal bolt	
19.	21-544	Domed nut, outer cover stud — top (5/16" U.N.F.)	
20.	54-55	Washer for domed nut (5/16" x 5/8" x 1/16")	
21.	21-1860	Screw, outer cover to crankcase (1/4" U.N.C. x 5 3/8")	
22.	14-302	Nut, bottom cover stud (5/16" U.N.F.)	
23.	54-55	Washer for nut line 22 (5/16" x 5/8" x 1/16")	
24.	14-6608	Screw, outer to inner cover (1/4" U.N.C. x 1")	
25.	21-541	Bolt, kickstart pedal pivot (5/16" U.N.F. x 1-5/32")	
26.	97-2704	Ball, kickstart folding pedal (1/4" diameter)	
27.	40-3085	Spring, kickstart folding pedal	
28.	57-1272	Kickstart crank folding pedal	
29.	57-2330	Kickstart pedal rubber	
30.	75-53	Nut, kickstart crank cotter	
31.	68-331	Washer, kickstart crank cotter (1/4" x 1/2" x 1/16")	
32.	57-2653	Kickstart crank only	
32.	57-3721	Kickstart crank assembly complete	
33.	75-3143	Cotter, kickstart crank	
34.	57-1955	Oil seal housing, kickstart crank	
35.	57-1956	Oil seal, kickstart crank	
36.	57-23	Bush, kickstart shaft	
37.	57-47	Anchor pin, kickstart return spring	
38.	57-31	Return spring, kickstart	
39.	57-24	Kickstart shaft	
40.	57-2169	Kickstart quadrant	
40.	57-3732	Kickstart quadrant and spindle assembly	
41.	57-3727	Kickstart quadrant stop	



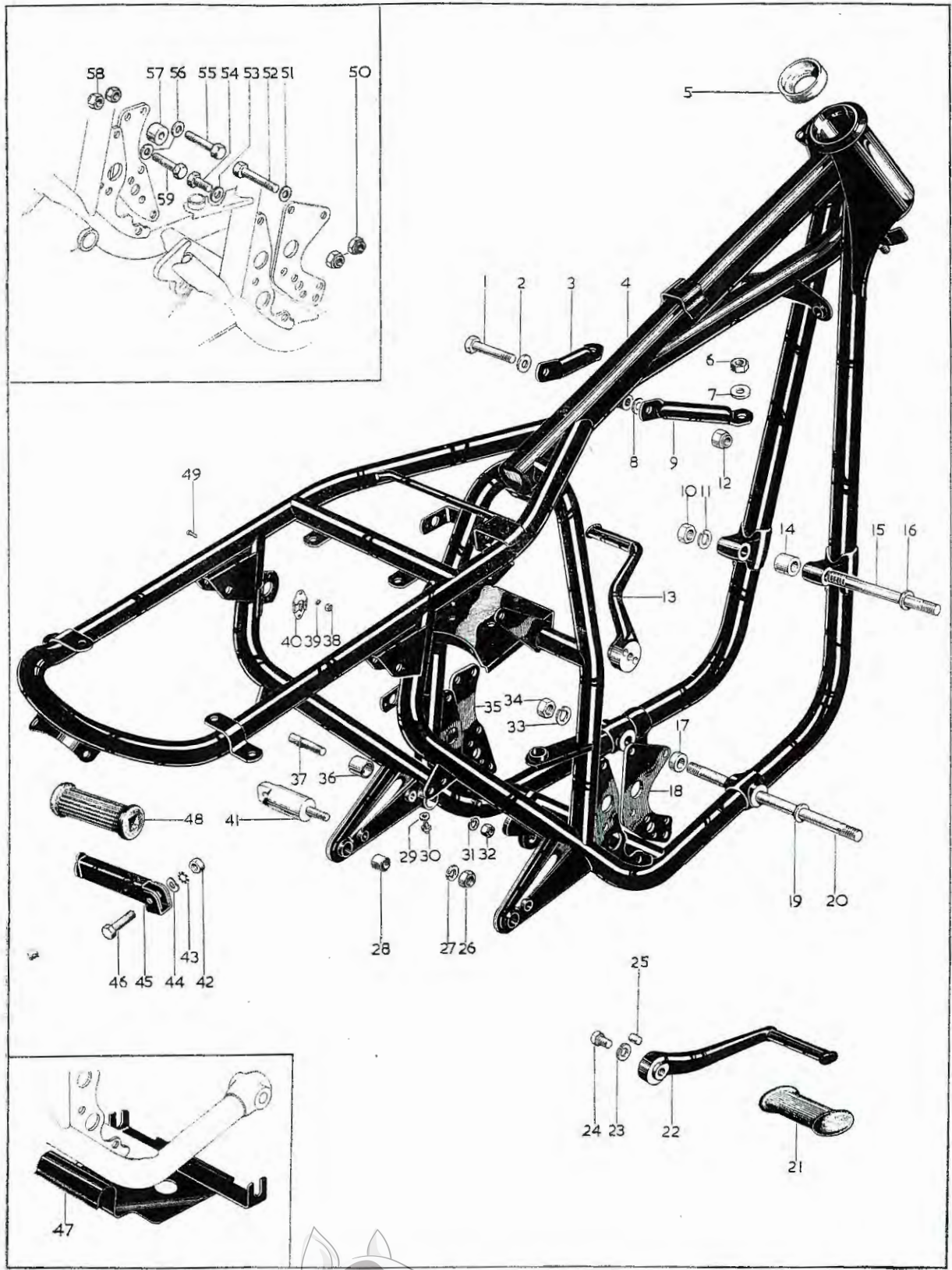


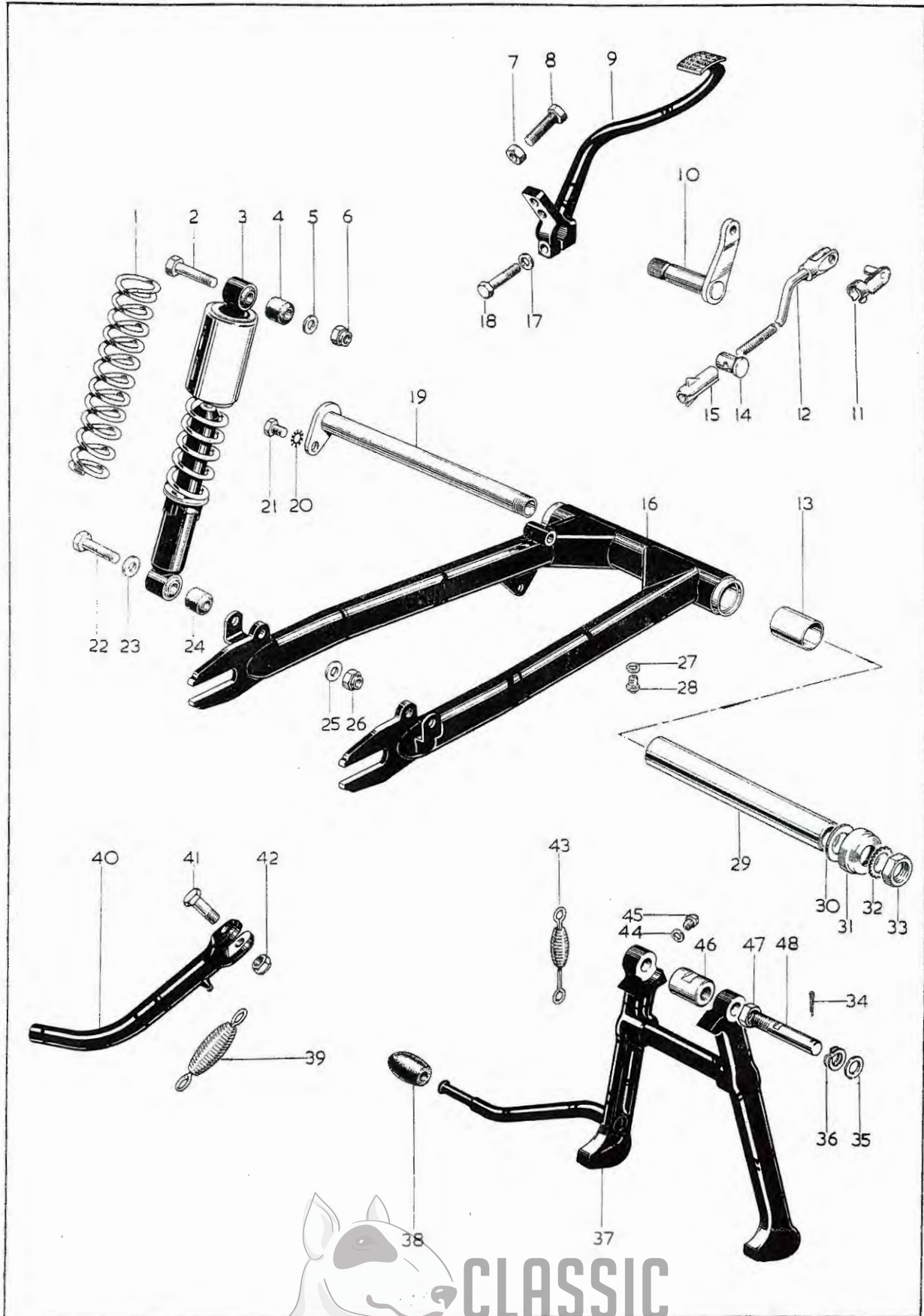
Plate 9

FRAME

Plate Ref.	Spares Number	Description	Per Set
1.	14-237	Bolt, steady stay to frame ($\frac{3}{8}$ " U.N.F. \times $2\frac{1}{2}$ ")	..
2.	2-2138	Washer, steady stay to frame ($\frac{3}{8}$ " \times $\frac{3}{4}$ " \times $\frac{1}{16}$ ")	..
3.	82-9378	Steady stay (left-hand)	..
4.	82-9773	Frame complete	..
5.	97-111	Steering head cup	2
6.	14-403	Nut, steady stay to cylinder head ($\frac{3}{8}$ " U.N.F.)	2
7.	2-2138	Washer, steady stay to cylinder head ($\frac{3}{8}$ " \times $\frac{3}{4}$ " \times $\frac{1}{16}$ ")	2
8.	42-4094	Spacer, steady stay to frame (first sets only)	..
9.	82-9379	Steady stay (right-hand)	..
10.	14-304	Nut, front engine bolt ($\frac{7}{16}$ " U.N.F.)	2
11.	2-1967	Spring washer, front engine bolt ($\frac{7}{16}$ " \times $\frac{7}{8}$ " \times 16 G.)	2
12.	14-903	Nut, steady stay to frame ($\frac{3}{8}$ " U.N.F.)	..
13.	82-9625	Footrest (left-hand)	..
14.	82-8508	Spacer, front engine bolt	..
15.	21-779*	Front engine stud ($\frac{7}{16}$ " U.N.F./U.N.F. \times 7")	..
16.	15-431	Washer, front engine bolt ($\frac{7}{16}$ " \times $\frac{3}{4}$ " \times $\frac{1}{16}$ ")	2
17.	82-8510	Spacer, bottom engine bolt	..
18.	82-9642	Engine plate (right-hand)	..
19.	15-431	Washer, bottom engine bolt ($\frac{7}{16}$ " \times $\frac{3}{4}$ " \times $\frac{1}{16}$ ")	2
20.	21-780*	Bottom engine stud ($\frac{7}{16}$ " U.N.F./U.N.F. \times $11\frac{1}{8}$ ")	..
21.	40-4850	Footrest rubber (right-hand)	..
21.	82-9686	Footrest rubber (left-hand)	..
22.	82-9624	Footrest (right-hand)	..
23.	3-107	Spring washer, for screw line 24 ($17/32$ " \times $49/64$ " \times 11 G.)	2
24.	14-145	Footrest set-screw ($\frac{1}{2}$ " U.N.F. \times 1")	2
25.	82-5943	Footrest peg	4
26.	14-303	Nut, pillion footrest anchor bolt ($\frac{3}{8}$ " U.N.F.)	2
27.	2-522	Spring washer, anchor bolt ($\frac{3}{8}$ " \times $\frac{3}{4}$ " \times 17 G.)	2
28.	82-9652	Silentbloc, silencer mounting	2
29.	24-1088	Fibre washer, for grease nipple line 30	..
30.	47-9012	Grease nipple, brake pedal	..
31.	24-8784	Spring washer, stop peg	..
32.	14-302	Nut, stop peg ($\frac{5}{16}$ " U.N.F.)	..
33.	2-1967	Spring washer, bottom engine bolt ($\frac{7}{16}$ " \times $\frac{7}{8}$ " \times 16 G.)	2
34.	14-304	Nut, bottom engine bolt ($\frac{7}{16}$ " U.N.F.)	2
35.	82-9641	Engine plate (left-hand)	..
35.	82-8918	Brake pedal bush	..
37.	82-8513	Brake pedal stop peg	..
38.	42-8034	Nut for "Oddie" clip	6
39.	42-5099	Lockwasher for "Oddie" clip	6
40.	68-9115	"Oddie" clip, sidecover	3
41.	82-9653	Anchor bolt, pillion footrest	2
42.	14-402	Nut, swivel bolt ($\frac{5}{16}$ " U.N.F.)	2
43.	36-382	Lockwasher, swivel bolt	2
44.	4-2276	Washer, pillion footrest	2
45.	68-4835	Pillion footrest complete	2
46.	21-756*	Swivel bolt, pillion footrest ($\frac{5}{16}$ " U.N.F. \times 1")	2
47.	82-9684	Engine shield	..
48.	29-7583	Pillion footrest rubber	2
49.	65-8317	Screw for "Oddie" clip ($\frac{1}{8}$ " \times $\frac{1}{2}$ ")	6
50.	14-1302	Nut, rear engine plate bolt ($\frac{5}{16}$ " U.N.F.)	5
51.	2-923	Washer, rear engine plate bolt ($\frac{5}{16}$ " \times $\frac{5}{8}$ " \times $\frac{1}{16}$ ")	5
52.	14-221	Bolt, engine to right-hand engine plate ($\frac{5}{16}$ " U.N.F. \times 2")	2
53.	2-923	Washer, rear engine plate bolt ($\frac{5}{16}$ " \times $\frac{5}{8}$ " \times $\frac{1}{16}$ ")	5
54.	14-115	Bolt, right-hand engine plate to frame ($\frac{5}{16}$ " U.N.F. \times $\frac{7}{8}$ ")	3
55.	14-220	Bolt, engine to left-hand engine plate ($\frac{5}{16}$ " U.N.F. \times $1\frac{3}{4}$ ")	2
56.	2-923	Washer, rear engine plate bolt ($\frac{5}{16}$ " \times $\frac{5}{8}$ " \times $\frac{1}{16}$ ")	10
57.	82-8509	Spacer, rear engine plate (left-hand)	3
58.	14-1302	Nut, rear engine plate bolt ($\frac{5}{16}$ " U.N.F.)	5
59.	14-218	Bolt, left-hand engine plate to frame ($\frac{5}{16}$ " U.N.F. \times $1\frac{3}{8}$ ")	3

*Special material: 15.—EN16T. 20.—EN16T. 46.—EN14B.





SWINGING ARM, CENTRE STAND, PROP STAND

Plate Ref.	Spares Number	Description	Per Set
1.	19-7447	Damper spring (solo) — Girling 64544120	2
2.	14-235	Top bolt, damper mounting ($\frac{3}{8}$ " U.N.F. \times 2")	2
3.	19-7446	Rear damper complete (solo) — Girling 64052105	2
4.	19-5305	Top bush, rear damper — Girling 64533645	2
5.	70-8770	Washer, top damper mounting bolt	2
6.	14-1303	Nut, Top damper mounting bolt ($\frac{3}{8}$ " U.N.F.)	2
7.	14-401	Locknut, brake pedal stop ($\frac{1}{4}$ " U.N.F.)	2
8.	14-106	Screw, brake pedal stop ($\frac{1}{4}$ " U.N.F. \times $1\frac{1}{4}$ ")	2
9.	82-9637	Rear brake pedal	
10.	82-9665	Brake operating shaft	
11.	68-7061	Spring pin, brake rod	
12.	82-9667	Rear brake rod	
13.	82-8475	Bush, swinging arm	2
14.	37-1467	Pivot pin, brake rod	
15.	82-7387	Adjuster nut, brake rod ($\frac{1}{4}$ " U.N.F.)	
16.	82-9963	Swinging arm with bushes	
17.	15-5155	Washer, for bolt line 18	
18.	14-217	Pinch bolt, brake pedal ($\frac{5}{16}$ " U.N.F. \times $1\frac{1}{4}$ ")	
19.	82-8468	Spindle, swinging arm	
20.	36-382	Lockwasher, swinging arm spindle lock plate bolt ($\frac{5}{16}$ "	
21.	14-113	Bolt, swinging arm spindle lock plate ($\frac{7}{8}$ " U.N.F. \times $\frac{5}{8}$ ")	
22.	14-235	Bolt, rear damper bottom mounting ($\frac{3}{8}$ " U.N.F. \times 2")	2
23.	54-4307	Washer, rear damper bottom mounting	2
24.	19-5305	Bottom bush, rear damper — Girling 64533645	2
25.	2-2138	Washer, rear damper bottom mounting	2
26.	14-1303	Nut, rear damper bottom mounting ($\frac{3}{8}$ " U.N.F.)	2
27.	24-1088	Washer, for grease nipple line 28	
28.	47-9012	Grease nipple, swinging arm	
29.	82-8476	Spacer tube, swinging arm spindle	
30.	82-8478	Thrust bearing, swinging arm	2
31.	82-8477	Dust cap, swinging arm spindle	2
32.	42-4364	Lockwasher, swinging arm spindle nut	
33.	21-755	Nut, swinging arm spindle ($\frac{13}{16}$ " U.N.F.)	
34.	60-2683	Split pin, centre stand pivot ($\frac{1}{16}$ " \times $\frac{3}{8}$ ")	2
35.	15-39	Washer, centre stand pivot ($\frac{1}{2}$ " \times $\frac{27}{32}$ " \times $\frac{1}{16}$ ")	2
36.	3-1346	Spring washer, centre stand pivot ($\frac{17}{32}$ " \times $\frac{7}{8}$ " \times 19 G.)	2
37.	82-8413	Centre stand	
38.	57-2331	Pedal rubber, centre stand	
39.	65-4742	Return spring, prop stand	
40.	82-8560	Prop stand leg	
41.	21-769	Bolt, prop stand pivot ($\frac{7}{16}$ " U.N.F. \times $1\frac{5}{16}$ ")	
42.	14-404	Locknut, prop stand pivot bolt ($\frac{7}{16}$ " U.N.F.)	
43.	68-4708	Return spring, centre stand	
44.	24-1088	Washer, for grease nipple line 45	2
45.	47-9012	Grease nipple, centre stand	2
46.	82-8582	Coupling, centre stand pivot	
47.	14-405	Locknut, centre stand pivot bar ($\frac{1}{2}$ " U.N.F.)	2
48.	83-1535	Pivot bar, centre stand	2



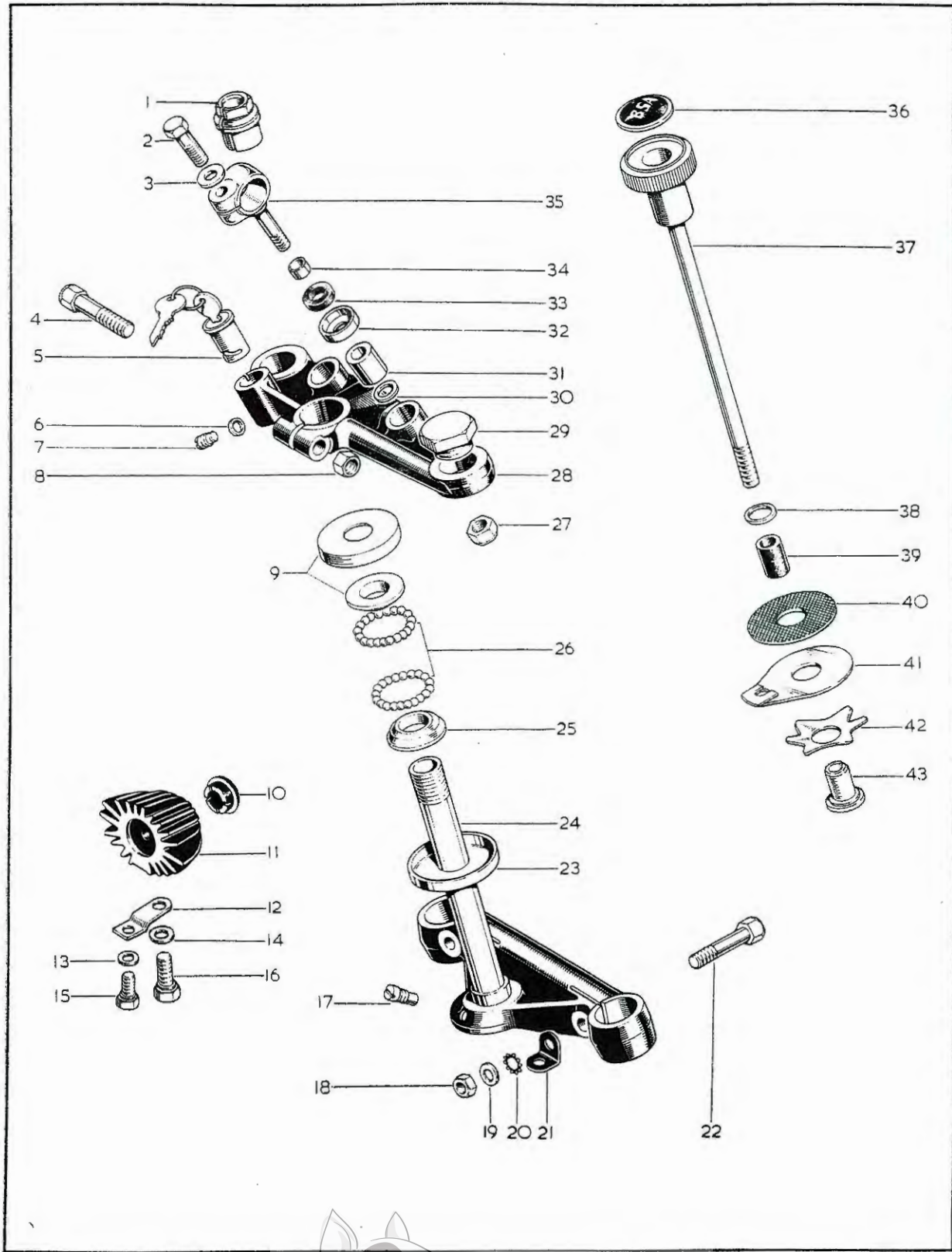
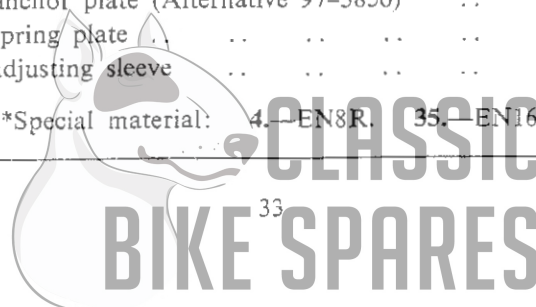


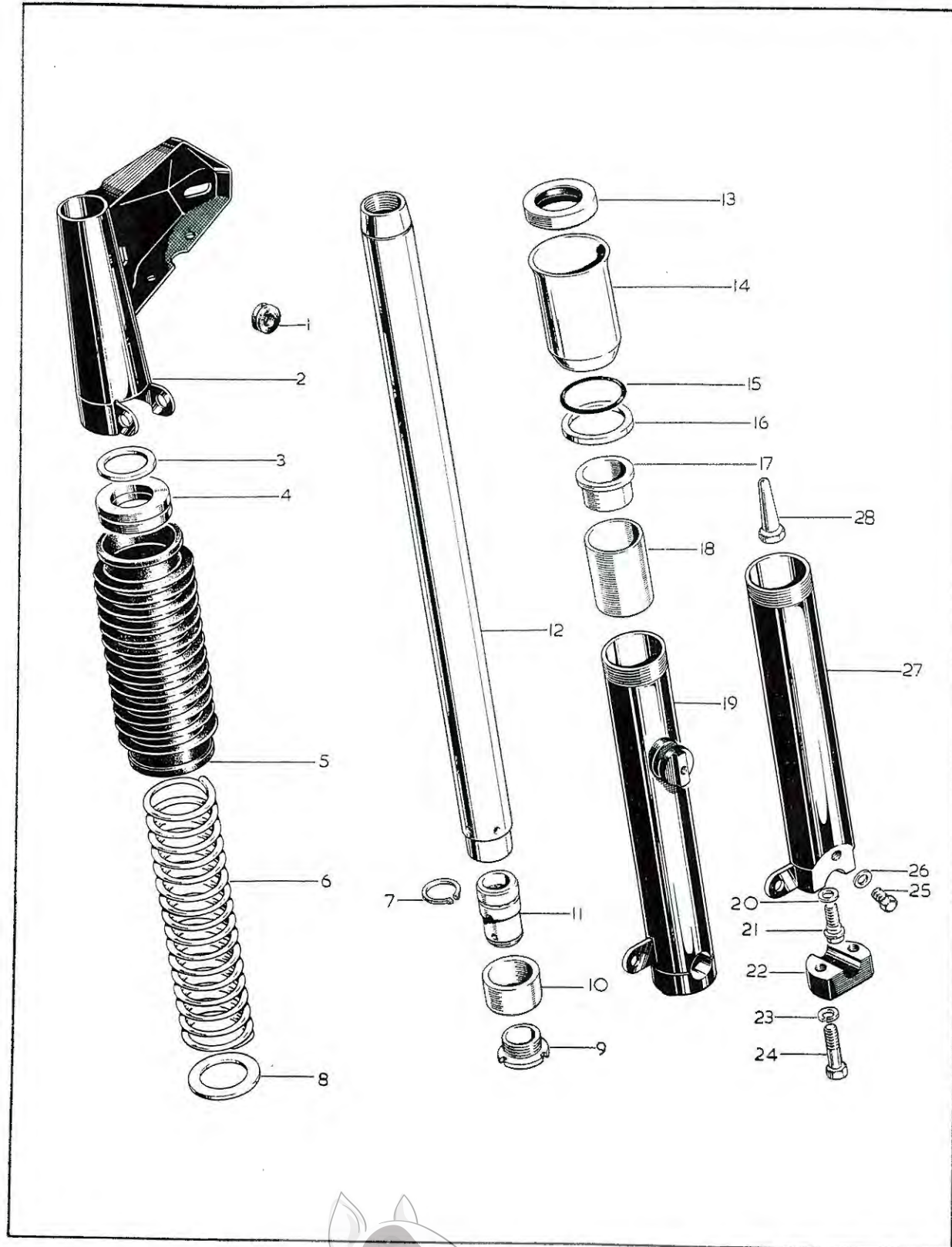
Plate 11

STEERING HEAD

Plate Ref.	Spares Number	Description	Per Set
1.	97-2108	Sleeve nut, steering column (1" U.N.F.)	
2.	21-589	Bolt, handlebar clamp ($\frac{5}{16}$ " U.N.F. \times 1 $\frac{1}{8}$ ")	2
3.	82-1335	Washer, handlebar clamp (21/64" \times 17/32" \times 1/8")	2
4.	21-684*	Bolt, top yoke pinch ($\frac{3}{8}$ " U.N.F. \times 1 $\frac{5}{8}$ ")	
5.	68-5050	Lock and key, steering (Wilmot Breedon 7-9398)	
6.	97-2266	Sealing washer	
7.	21-578	Grub screw, steering lock	
8.	21-685	Nut, pinch bolt ($\frac{3}{8}$ " U.N.F.)	
9.	97-1018	Top cone with dust cap	
10.	97-2275	Heat sink plug	
11.	97-2237	Diode heat sink	
12.	97-2236	Heat sink bracket	
13.	54-8003	Washer, bracket to fork leg bolt	
14.	54-22	Washer, bracket bolt	
15.	14-113	Bolt, bracket to fork leg ($\frac{5}{16}$ " U.N.F. \times $\frac{5}{8}$ ")	
16.	14-6102	Bolt, bracket to heat sink ($\frac{1}{4}$ " U.N.C. \times $\frac{5}{8}$ ")	
17.	97-2107	Pin, damper adjusting sleeve	
18.	14-1303	Nut, bottom yoke pinch bolt ($\frac{3}{8}$ " U.N.F.)	2
19.	54-4307	Washer, pinch bolt	2
20.	82-8245	Lockwasher, cable guide bracket	2
21.	97-3682	Cable guide bracket	2
22.	97-2290	Pinch bolt, bottom yoke ($\frac{3}{8}$ " U.N.F. \times 2 $\frac{1}{4}$ ")	2
23.	97-2622	Dust cover, bottom cone	
24.	97-2621	Bottom yoke assembly	
25.	97-439	Bottom cone	
26.	97-2704	Steering head ball ($\frac{1}{4}$ " diameter)	40
27.	14-1903	Nut, handlebar clamp (Nyloc $\frac{3}{8}$ " U.N.F.)	2
28.	97-2293	Top yoke	
29.	97-2245	Top cap nut, main stanchion	2
30.	97-1529	Washer, handlebar clamp (25/64" \times $\frac{7}{8}$ " \times 3/32")	4
31.	97-1527	Bush, handlebar clamp	2
32.	97-2221	Cup, handlebar mounting	2
33.	97-1580	Rubber, handlebar mounting	2
34.	97-1581	Distance piece, handlebar mounting	2
35.	97-2291*	Handlebar clamp	2
36.	68-8166	Badge, damper knob	
37.	97-3602	Damper rod complete	
38.	97-565	Abutment washer	
39.	97-1618	Rubber bush	
40.	97-435	Damper friction disc	
41.	97-3865	Damper anchor plate (Alternative 97-3856)	
42.	97-95	Damper spring plate	
43.	97-3601	Damper adjusting sleeve	

*Special material: 4. - EN8R. 35. - EN16.



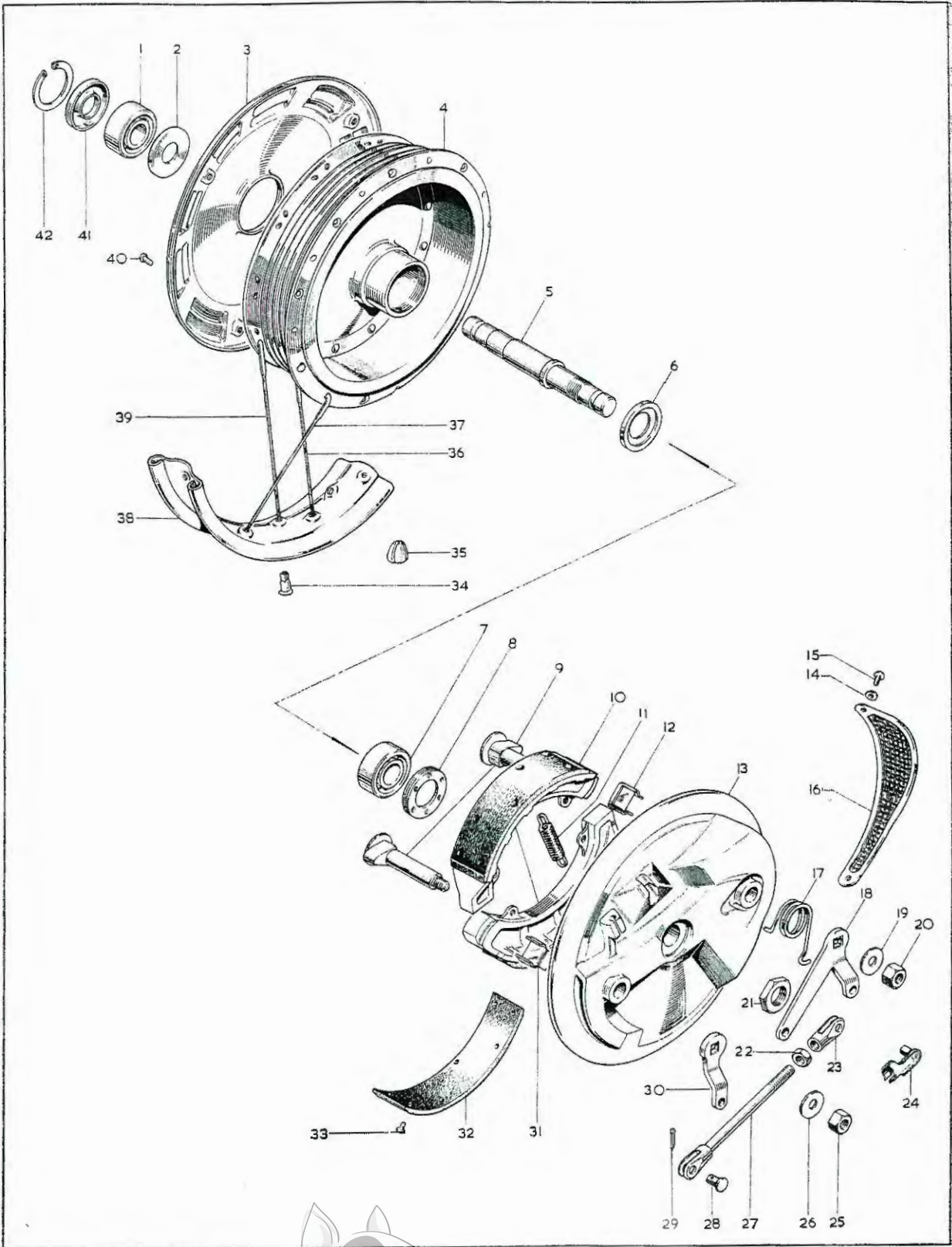


FRONT FORKS

Plate Ref.	Spares Number	Description	Per Set
1.	97-1971	Cable grommet, headlamp bracket	4
2.	97-2300	Outer cover (left-hand)	
2.	97-2301	Outer cover (right-hand)	
3.	82-4047	Cork washer	2
4.	97-1657	Spring abutment (top)	2
5.	97-3635	Fork rubber gaiter	2
6.	97-1892	Main spring	2
7.	97-2127	Circlip, shuttle	2
8.	75-5096	Spring support (lower)	2
9.	97-2091	Nut, hydraulic stop ($1\frac{1}{8}$ " U.N.F.)	2
10.	75-5104	Lower bush	2
11.	97-2154	Shuttle, damping	2
12.	97-2092	Stanchion (Early models)	2
12.	97-3878*	Stanchion (2 extra bleed holes)	2
13.	75-5099	Oil seal	2
14.	97-3633	Lower cover tube	2
15.	75-5199	"O" ring, sleeve	2
16.	75-5088	Outer retaining washer	2
17.	75-5105	Upper bush	2
18.	75-5091	Inner sleeve	2
19.	97-2294	Outer member (left-hand)	
20.	40-5069	Sealing washer	2
21.	97-2126	Bolt, restrictor ($\frac{1}{4}$ " U.N.F. \times $1\text{-}3/32$ ")	2
22.	75-5095	Cap, outer member	2
23.	54-8003	Washer, cap bolt	4
24.	14-218	Bolt, outer member cap ($\frac{5}{16}$ " U.N.F. \times $1\frac{3}{8}$ ")	4
25.	97-519	Drain plug	2
26.	54-42	Drain plug joint washer	2
27.	97-2295	Outer member (right-hand)	
28.	97-2090	Restrictor, damping	2
	97-2672	Fork complete	

*These stanchions must not be mixed with 97-2092 type.

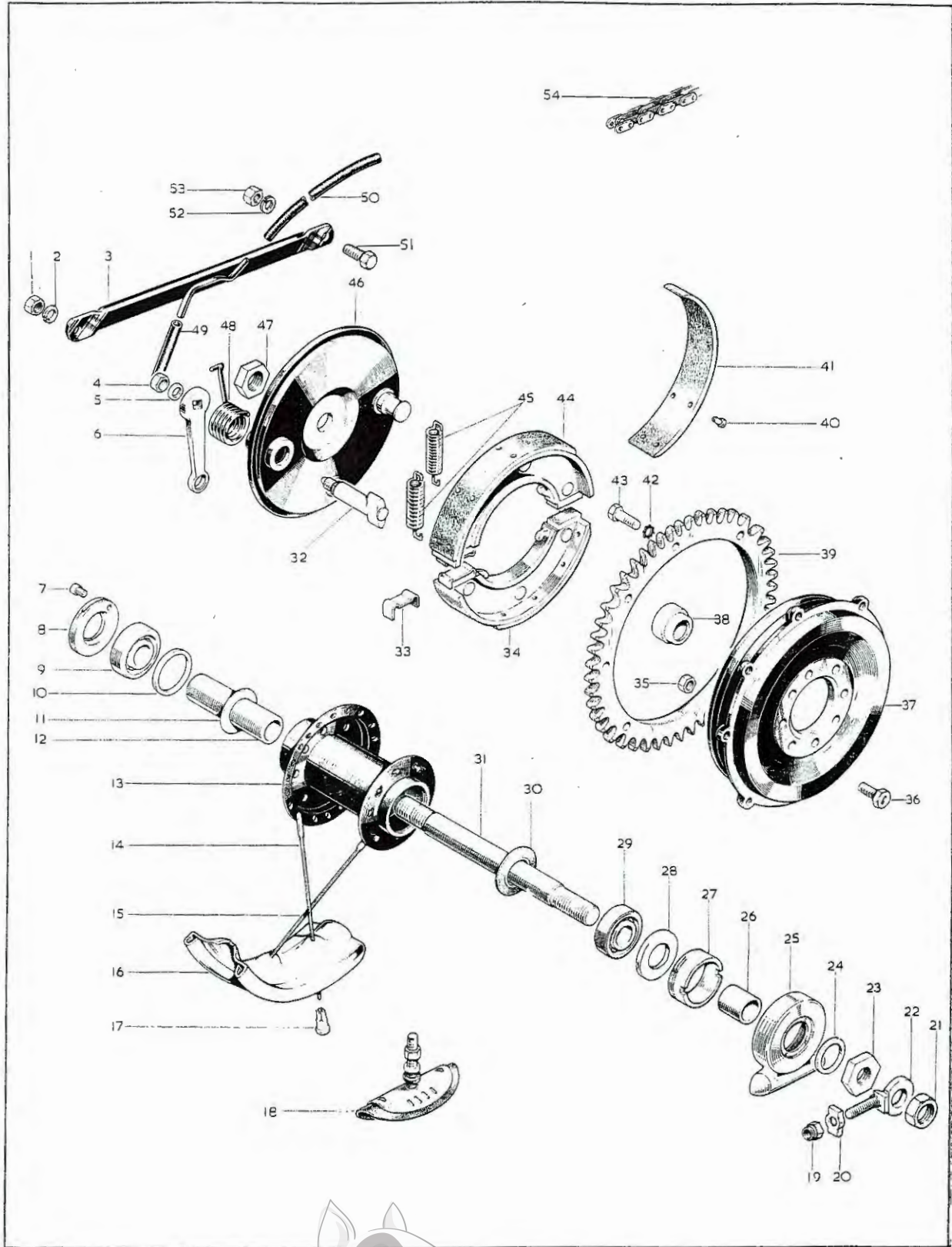




FRONT WHEEL

Plate Ref.	Spares Number	Description	Per Set
1.	42-5819	Bearing (Hoffman 120)	
2.	37-1481	Grease retaining cap (left-hand)	
3.	37-2240	Nave plate	
4.	37-3317	Front hub with spindle and bearings	
5.	37-3582	Wheel spindle	
6.	37-3337	Backing ring	
7.	42-5819	Bearing (Hoffman 120)	
8.	42-6335	Bearing retainer	
9.	37-2001	Brake cam	2
10.	37-1996	Brake shoe complete	2
11.	42-5841	Brake shoe spring	2
12.	37-2026	Brake shoe abutment pad	
13.	37-2129	Brake anchor plate with gauze, less brake details	
14.	82-2351	Washer, for screw line 15	3
15.	21-1998	Screw, gauze fixing (Taptite 4-40 × $\frac{5}{16}$ ")	3
16.	37-1991	Gauze shield, air scoop	
17.	37-3522	Brake lever return spring	
18.	37-3453	Brake lever (front)	
19.	37-2027	Washer, lever fixing nut (1-1/32" × 17/32" × 13 G.)	
20.	14-303	Nut, lever fixing ($\frac{3}{8}$ " U.N.F.)	
21.	21-1995	Brake anchor plate nut	
22.	14-401	Brake rod fork end locknut ($\frac{1}{4}$ " U.N.F.)	
23.	37-2005	Brake rod fork end	
24.	37-2006	Brake cable spring pin	
25.	14-303	Nut, rear lever fixing ($\frac{3}{8}$ " U.N.F.)	
26.	37-2027	Washer, rear lever fixing nut (1-1/32" × 17/32" × 13 G.)	
27.	37-2003	Brake rod	
28.	42-5836	Brake rod pivot pin	2
29.	60-2683	Split pin, pivot pin fixing ($\frac{1}{16}$ " × $\frac{3}{8}$ ")	2
30.	37-3454	Brake lever (rear)	
31.	37-2026	Brake shoe abutment pad	
32.	19-7734	Brake lining	2
33.	37-2059	Brake lining rivet	14
34.	42-5812	Spoke nipple	40
35.	37-1197	Balance weight ($\frac{3}{4}$ ")	as reqd.
35.	37-1198	Balance weight (1")	as reqd.
36.	37-1709	Spoke (right-hand inner)	10
37.	37-1708	Spoke (right-hand outer)	10
38.	37-1230	Rim (WM2-19, steel)	
39.	37-1328	Spoke (left-hand)	20
40.	37-2092	Screw, nave plate fixing (4 B.A. × $\frac{1}{4}$ ")	3
41.	42-5820	Dust cap	
42.	57-280	Circlip, dust cap fixing	
	37-3312	Wheel complete with spindle and bearings	
	37-3461	Brake anchor plate complete with brake details	

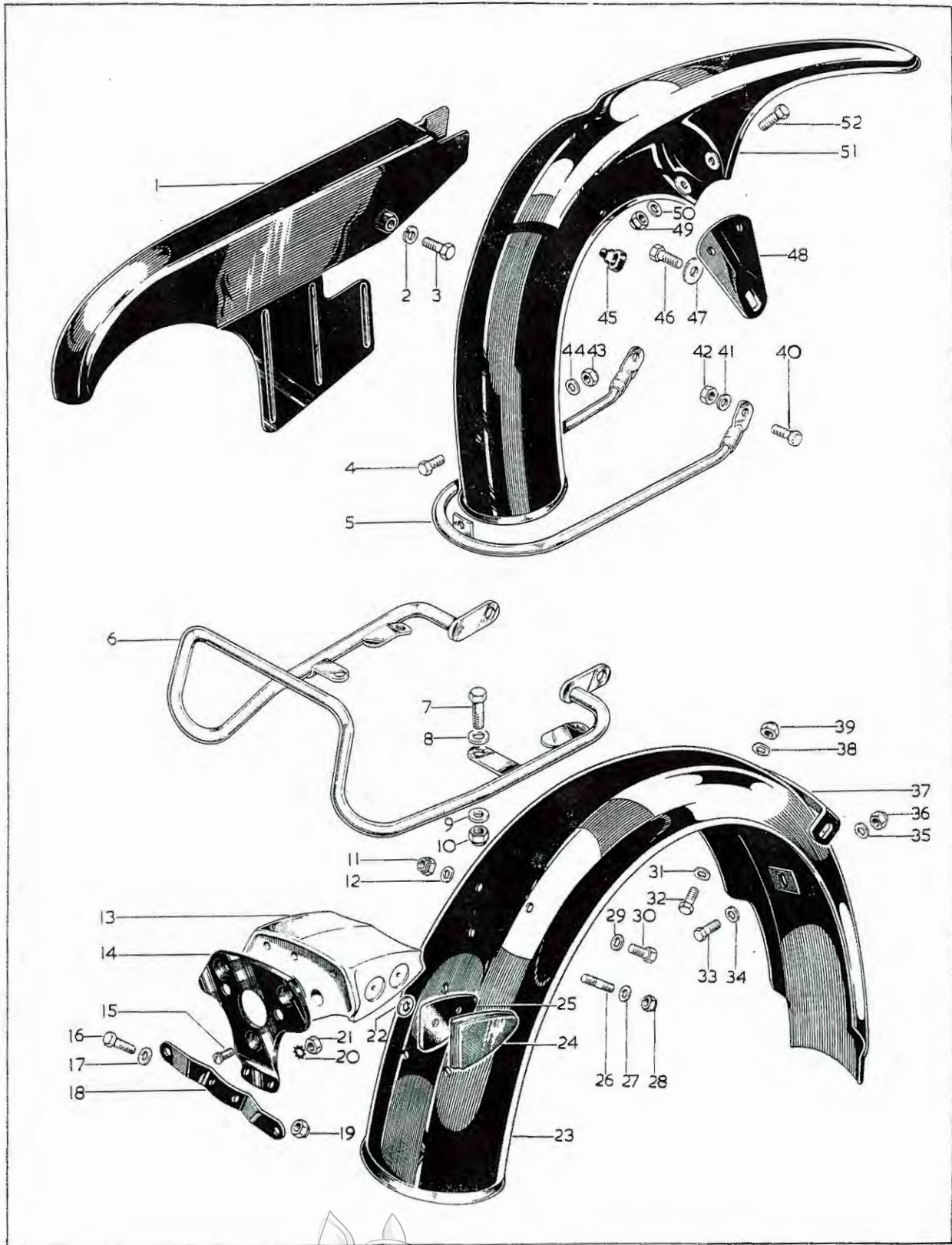




REAR WHEEL

Plate Ref.	Spares Number	Description	Per Set
1.	54-124	Nut, torque stay to brake plate ($\frac{7}{16}$ " B.S.C.)
2.	40-4071	Spring washer, for nut line 1
3.	82-7365	Torque stay, brake plate
4.	54-4306	Nut, brake lever to cam spindle ($\frac{3}{8}$ " B.S.C.)
5.	37-2027	Washer, for nut line 4
6.	37-2015	Lever, brake plate
7.	37-1710	Locking screw, bearing retainer (drive-side)
8.	37-1021	Bearing retainer (drive-side)
9.	42-5819	Bearing, drive-side (Hoffman 120)
10.	37-1022	Backing ring, drive-side bearing
11.	37-1474	Grease retainer (drive-side)
12.	37-1278	Spacer tube
13.	37-3457	Hub with spindle and bearings
14.	37-1104	Spoke (drive-side) 20
15.	37-1106	Spoke (timing-side) 20
16.	37-270	Wheel rim (WM3-19)
17.	42-5812	Spoke nipple 40
18.	19-6500	Security bolt 2
19.	14-1902	Nut, wheel adjuster ($\frac{5}{16}$ " U.N.F.) 2
20.	40-6040	End plate, wheel adjuster 2
21.	82-1747	Nut, outer spindle ($\frac{3}{4}$ " B.S.C.) 2
22.	37-2089	Wheel adjuster 2
23.	37-3426	Retaining nut (timing-side)
24.	37-1280	Washer, for nut line 23
25.	19-9221	Speedometer gearbox, m.p.h. and k.p.h. (Smiths BG.5330/168)
26.	37-1477	Distance piece
27.	37-1476	Speedometer drive ring
28.	37-1654	Inner dust cap (timing-side)
29.	42-5819	Bearing (Hoffman 120)
30.	37-1635	Grease retainer (timing-side)
31.	37-1281	Wheel spindle
32.	37-1083	Brake cam spindle
33.	41-6078	Pivot pad for brake shoe 2
34.	41-6076	Trailing brake shoe
35.	75-6594	Nut, brake drum to hub ($\frac{5}{16}$ " B.S.C.) 8
36.	37-1690*	Bolt, brake drum to hub ($\frac{5}{16}$ " B.S.C. \times $\frac{3}{4}$ ") 8
37.	37-1498	Brake drum
38.	37-1024	Distance piece, drive-side bearing
39.	37-3411	Sprocket (52 teeth)
40.	35-6436	Rivet, brake lining 16
41.	19-7711	Brake lining 2
42.	29-541	Lockwasher, for bolt line 43 8
43.	37-1500*	Bolt, sprocket to brake drum ($\frac{1}{4}$ " B.S.C. \times 13/16") 8
44.	41-6073	Leading brake shoe
45.	42-5841	Spring, brake shoe 2
46.	37-1112	Brake anchor plate less brake details
47.	37-3425	Nut, inner drive-side spindle
48.	37-1090	Return spring, brake lever
49.	82-9997	Chain oiler pipe (short)
50.	82-8919	Chain oiler pipe (long)
51.	21-1802	Bolt, anchor strap to swinging arm ($\frac{7}{16}$ " U.N.F. \times 27/32")
52.	40-4071	Spring washer, for nut line 53
53.	14-304	Nut, for bolt line 51 ($\frac{7}{16}$ " U.N.F.)
54.	19-8638	Rear chain ($\frac{5}{8}$ " \times $\frac{3}{8}$ " \times 107 pitch)
	37-3456	Rear wheel with spindle and bearings
	37-1111	Rear brake anchor plate with brake details

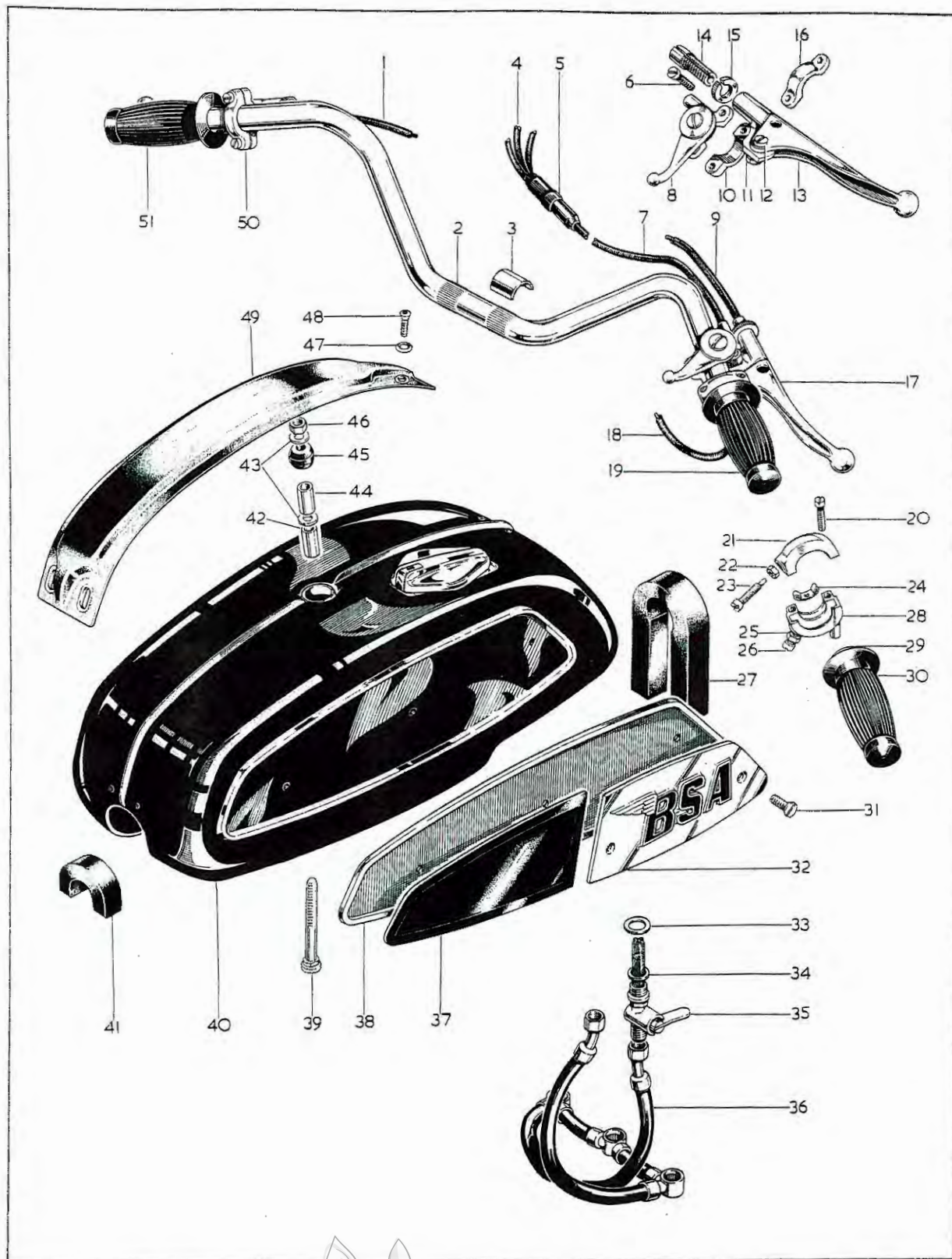
*Special material: 36.—EN8R. 43.—EN8R.



HANDRAIL, MUDGUARDS, CHAINGUARD

Plate Ref.	Spares Number	Description	Per Set
1.	82-8490	Chainguard	
2.	29-541	Spring washer, chainguard bolt (17/64" × 15/32" × .024")	
3.	14-206	Bolt, chainguard fixing (1/4" U.N.F. × 1 3/4")	
4.	14-101	Bolt, stay to mudguard (1/4" U.N.F. × 1/2")	
5.	82-8498	Front mudguard stay	
6.	82-8485	Handrail	
7.	21-1990	Bolt, handrail to frame (5/16" U.N.F. × 5/8")	2
8.	15-5155	Washer, handrail to frame (5/16" × 1/2" × .048")	2
9.	15-5155	Washer, handrail to frame (5/16" × 1/2" × .048")	2
10.	14-1202	Nut, handrail to frame (5/16" U.N.F.)	2
11.	14-1301	Nut, mudguard to frame (1/4" U.N.F.)	2
12.	27-8560	Washer, mudguard to frame (1/4" × 5/8" × .048")	2
13.	82-9327	Rear lamp support	
14.	68-6829	Rear lamp support plate	
15.	54-9012	Screw, plate to support (2 B.A. × 13/32")	3
16.	14-101	Bolt, number plate bracket (1/4" U.N.F. × 1/2")	4
17.	54-9081	Washer, number plate bracket	4
18.	68-6830	Number plate bracket	
19.	14-1201	Nut, number plate bracket bolt (1/4" U.N.F.)	4
20.	54-170	Lockwasher (bottom screw only)	
21.	21-5161	Nut for bottom screw (2 B.A.)	
22.	82-8195	Push-fix, rear side reflector	4
23.	82-8528	Rear Mudguard	
24.	19-943	Rear side reflector (Lucas 57111)	2
25.	82-8140	Rubber mat, side reflector	2
26.	21-547	Stud, rear lamp support (1/4" U.N.C./U.N.F. × 7/8")	
27.	42-5575	Washer, support stud	
28.	14-1201	Nut, support stud (1/4" U.N.F.)	
29.	27-8560	Washer, mudguard to frame (1/4" × 5/8" × .048")	2
30.	14-101	Bolt, mudguard to frame (1/4" U.N.F. × 1/2")	2
31.	27-8560	Washer, bridge to guard (1/4" × 5/8" × .048")	2
32.	14-101	Bolt, bridge to guard (1/4" U.N.F. × 1/2")	2
33.	14-101	Bolt, mudguard to frame (1/4" U.N.F. × 1/2")	2
34.	27-8560	Washer, mudguard to frame (1/4" × 5/8" × .048")	2
35.	27-8560	Washer, mudguard to frame (1/4" × 5/8" × .048")	2
36.	14-1301	Nut, mudguard bolt (1/4" U.N.F.)	2
37.	82-8518	Rear mudguard bridge	
38.	27-8560	Washer, bridge to guard (1/4" × 5/8" × .048")	2
39.	14-1301	Nut, bridge to guard (1/4" U.N.F.)	2
40.	14-114	Bolt, stay to fork (5/16" U.N.F. × 3/4")	2
41.	54-55	Washer, stay to fork (5/16" × 5/8" × 1/16")	2
42.	14-702	Nut, stay to fork (5/16" U.N.F.)	2
43.	14-1301	Nut, stay to guard (1/4" U.N.F.)	
44.	2-525	Washer, stay to guard (1/4" × 1/2" × .048")	
45.	97-2270	Cable retainer	
46.	21-1822	Bolt, bracket to fork leg (5/16" U.N.F. × 1/2")	2
47.	54-5504	Washer, bracket to fork leg	2
48.	82-8520	Front mudguard bracket	2
49.	14-1301	Nut, mudguard to bracket (1/4" U.N.F.)	4
50.	2-525	Washer, mudguard to bracket (1/4" × 1/2" × .048")	4
51.	97-3795	Front mudguard	
52.	14-101	Bolt, mudguard to bracket (1/4" U.N.F. × 1/2")	4





PETROL TANK, HANDLEBAR AND CONTROLS

Plate Ref.	Spares Number	Description	Per Set
	B.S.A. NO.	MAKERS NO.	
1.	60-1946	Clutch control cable	
2.	97-3648	Handlebar	
3.	75-4909	Handlebar sleeve	4
4.	60-2060	Air control cable, right-hand (carburetter to junction box) ..	
4.	60-2061	Air control cable, centre (carburetter to junction box) ..	
4.	60-2062	Air control cable, left-hand (carburetter to junction box) ..	
5.	60-1978	Junction box, air control cable	
6.		11/014 Brake lever clamp screw (short)	
6.		11/013 Brake lever clamp screw (long)	
6.		11/014 Clutch lever clamp screw	2
7.	60-1968	Air control cable, junction box to lever	
8.		12/594 Air control lever assembly	
9.	60-2076	Front brake cable complete	
10.		18/776 Brake control lever body	
10.		18/773 Clutch control lever body	
11.		18/053 Clutch and brake lever fulcrum pin nut	2
12.		18/087 Clutch and brake lever fulcrum pin	2
13.		18/754 Brake lever only	
13.		18/752 Clutch lever only	
14.	60-2071	18/1708 Brake and clutch cable adjuster ($\frac{3}{8}$ " U.N.F.)	2
15.	60-2072	18/1709 Brake and clutch cable adjuster locknut ($\frac{3}{8}$ " U.N.F.)	2
16.		12/595 Clutch lever clamp	
17.	60-2073	18/978 Front brake and air control complete	
18.	60-2202	Throttle control cable	
19.	19-7237	364/11 Throttle control complete	
20.		11/013 Body screw, throttle control	2
21.		364/013 Body top half, throttle control	
22.		5/077 Locknut, rotor stop screw	
23.		364/020 Adjusting screw, rotor stop	
24.		16/008 Friction spring, throttle control	
25.		16/010 Locknut, friction spring screw	



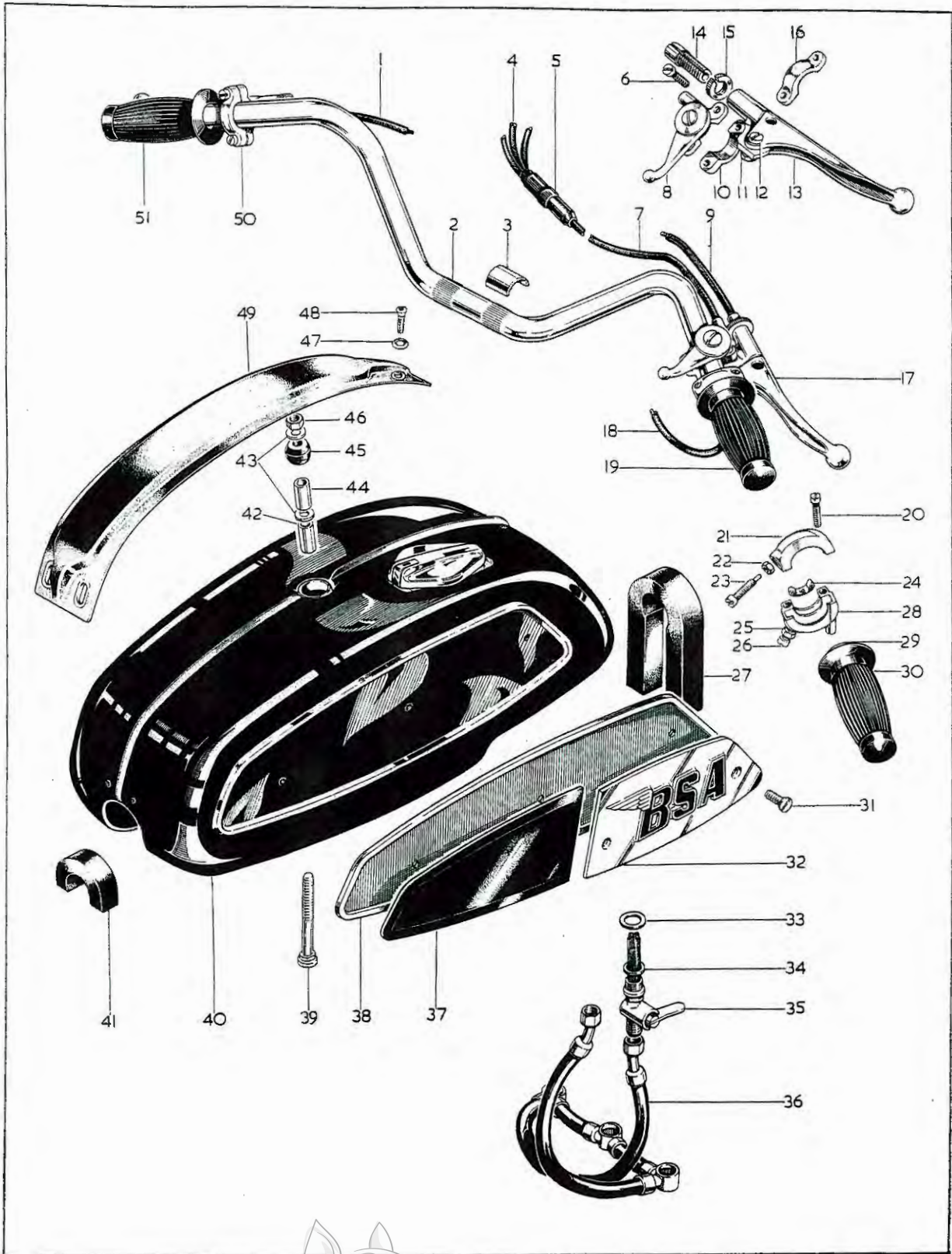


Plate 16—Contd.

PETROL TANK, HANDLEBAR AND CONTROLS

Plate Ref.	Spares Number	Description	Per Set
	B.S.A. NO.	MAKERS NO.	
26.		16/009 Screw, friction spring	
27.	82-9919	Tank mounting rubber (front)	
28.		364/014 Body bottom half, throttle control	
29.		364/017 Rotor, throttle control	
30.	19-7222	Handlebar grip (right-hand)	
31.	21-6206	Screw, badge and panel mounting (2 B.A. $\times \frac{1}{2}$ ")	6
32.	82-8610	Tank badge (left-hand)	
32.	82-8611	Tank badge (right-hand)	
33.	83-2	Seal washer, petrol tap	2
34.	70-7351	Petrol tap seal	2
35.	82-4972	Main petrol tap	
35.	82-4971	Reserve petrol tap	
36.	82-9436	Petrol pipe assembly	
37.	82-8591	Knee grip (right-hand)	
37.	82-8590	Knee grip (left-hand)	
38.	82-8589	Tank panel (right-hand)	
38.	82-8588	Tank panel (left-hand)	
39.	21-1993	Tank mounting bolt ($\frac{5}{16}$ " U.N.F. $\times 3\frac{5}{16}$ ")	
40.	82-8391	Petrol tank with fixed fittings	
41.	82-9920	Tank mounting rubber (rear)	
42.	82-8327	Spacer tube, tank mounting	
43.	3-101	Washer, tank mounting	2
44.	76-4120	Spacer tube, tank mounting	
45.	40-8085	Tank mounting rubber	
46.	14-302	Nut, for bolt line 39 ($\frac{5}{16}$ " U.N.F.)	
47.	82-8947	Washer, for screw line 48	4
48.	82-8946	Screw, petrol tank styling strip (2 B.A. $\times \frac{5}{8}$ ")	4
49.	82-8609	Petrol tank styling strip	
50.	60-2074	18/952 Clutch control complete	
51.	68-8717	Handlebar grip (left-hand)	

Note:—Where no B.S.A. part number is quoted, the part is only available from the makers.



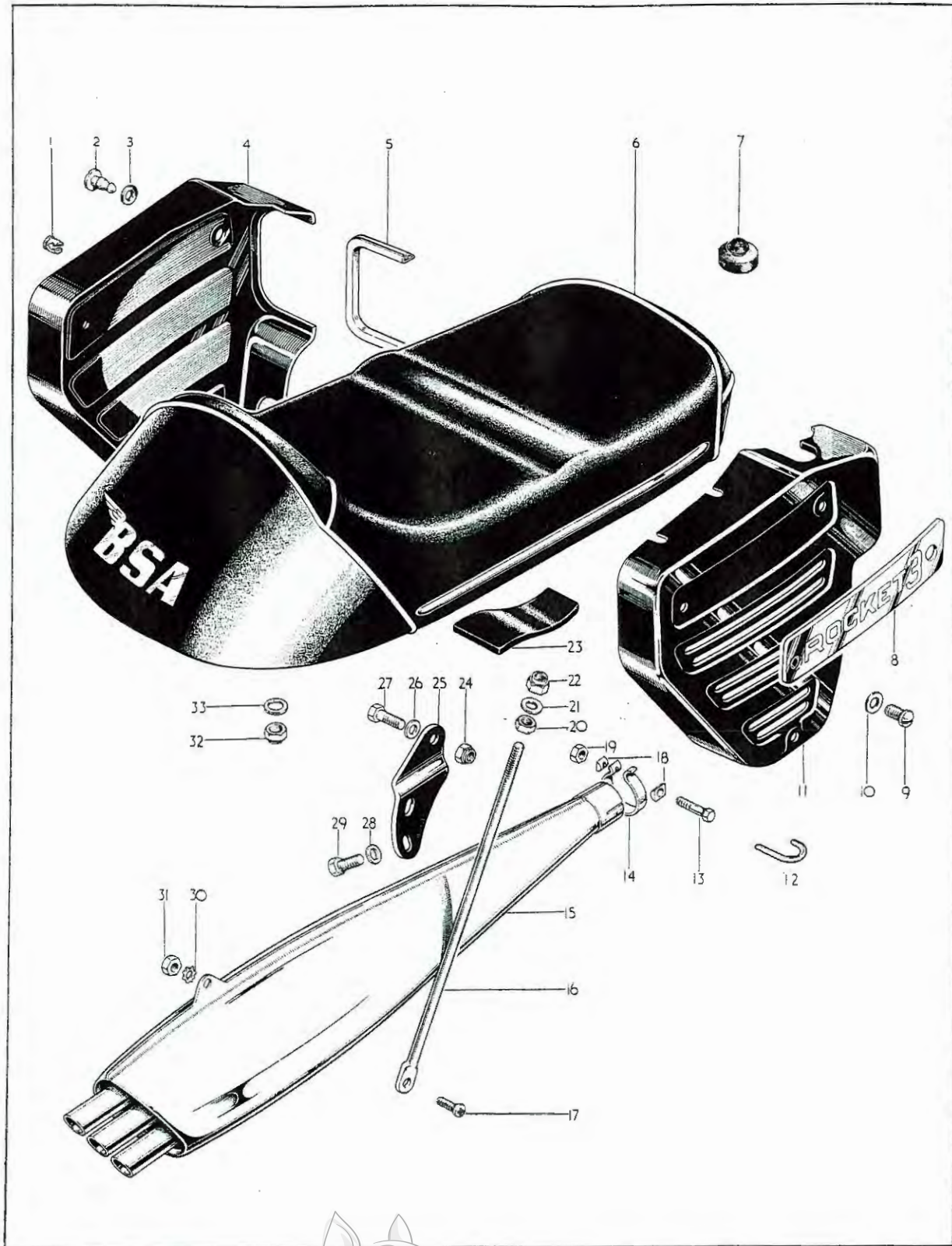
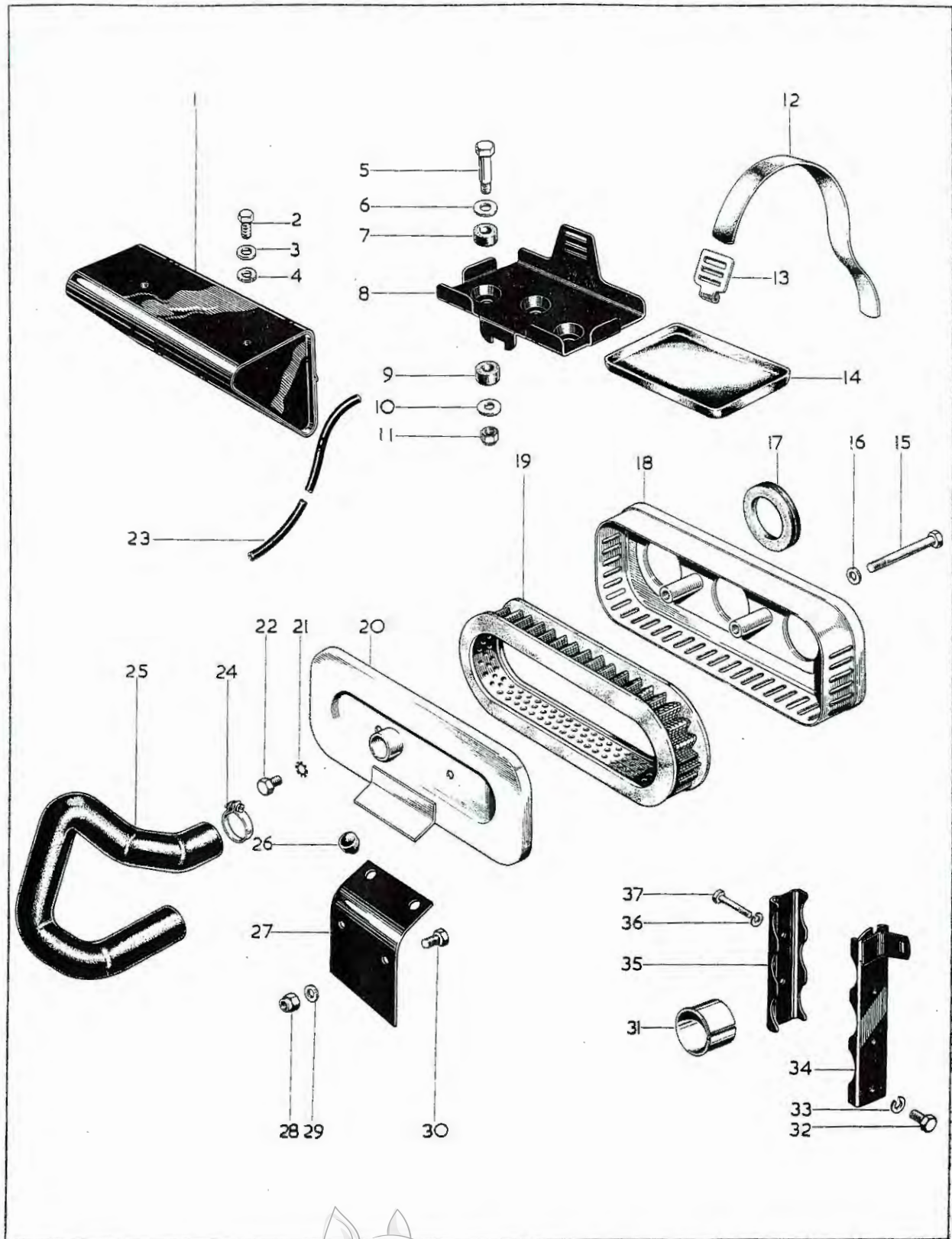


Plate 17

TWINSEAT, SIDECOVERS, SILENCERS

Plate Ref.	Spares Number	Description	Per Set
1.	97-2273	Clutch cable clip	
2.	68-9223	"Oddie" stud, left-hand sidecover	
2.	83-1430	Sidecover fastener	2
3.	68-9226	"Oddie" stud rubber	3
4.	82-8850	Sidecover complete (left-hand)	
5.	82-8744	Styling strip, sidecovers	2
6.	82-8942	Twinseat complete	
7.	40-8046	Front mounting rubber, twinseat	2
8.	60-853	Sidecover name plate (right-hand)	
8.	60-854	Sidecover name plate (left-hand)	
9.	21-767	Screw, sidecover to oil tank ($\frac{1}{4}$ " U.N.F. \times $\frac{7}{16}$ ")	
9.	21-1979	Screw, sidecover to oil tank	2
10.	82-9964	Rubber washer, sidecover to oil tank screw	3
11.	82-8849	Sidecover complete (right-hand)	
12.	83-1456	Protective strip, sidecover (right-hand)	
13.	14-219	Bolt, silencer to exhaust pipe clip ($\frac{5}{16}$ " U.N.F. \times $1\frac{1}{2}$ ")	2
14.	54-2537	Clip, silencer to exhaust pipe	2
15.	70-9037	Silencer (right-hand)	
15.	70-9036	Silencer (left-hand)	
16.	82-8519	Silencer support stay	2
17.	54-9012	Bolt, support stay to silencer (2 B.A. \times $1\frac{3}{32}$ ")	2
18.	75-2719	Saddle washer, silencer clip	4
19.	14-1302	Nut, silencer clip bolt ($\frac{5}{16}$ " U.N.F.)	2
20.	14-302	Nut, support stay to handrail ($\frac{5}{16}$ " U.N.F.)	2
21.	2-923	Washer, support stay to handrail ($\frac{5}{16}$ " \times $\frac{5}{8}$ " \times $\frac{1}{16}$ ")	2
22.	14-1902	Nut, support stay to handrail ($\frac{5}{16}$ " U.N.F.)	2
23.	82-8667	Support rubber, twinseat	2
24.	14-1303	Nut, bracket to silentbloc ($\frac{3}{8}$ " U.N.F.)	2
25.	82-8584	Silencer bracket (left-hand)	
25.	82-8583	Silencer bracket (right-hand)	
26.	2-1733	Washer, bracket to silentbloc	2
27.	14-129	Bolt, bracket to silentbloc ($\frac{3}{8}$ " U.N.F. \times $1\frac{1}{4}$ ")	2
28.	76-12	Washer, bracket to silencer—left-hand ($2\frac{1}{64}$ " \times $9\frac{1}{16}$ " \times $3\frac{3}{32}$ ")	2
28.	54-8003	Washer, bracket to silencer—right-hand	2
29.	14-113	Bolt, bracket to silencer—left-hand ($\frac{3}{16}$ " U.N.F. \times $\frac{5}{8}$ ")	2
29.	21-1822	Bolt, bracket to silencer—right-hand ($\frac{5}{16}$ " U.N.F. \times $\frac{1}{2}$ ")	2
30.	54-170	Lockwasher, stay to silencer bolt	2
31.	21-5161	Nut, support stay to silencer bolt (2 B.A.)	2
32.	14-1202	Nut, twinseat mounting ($\frac{5}{16}$ " U.N.F.)	2
33.	15-5155	Washer, twinseat mounting ($\frac{5}{16}$ " \times $\frac{5}{8}$ " \times .040")	2

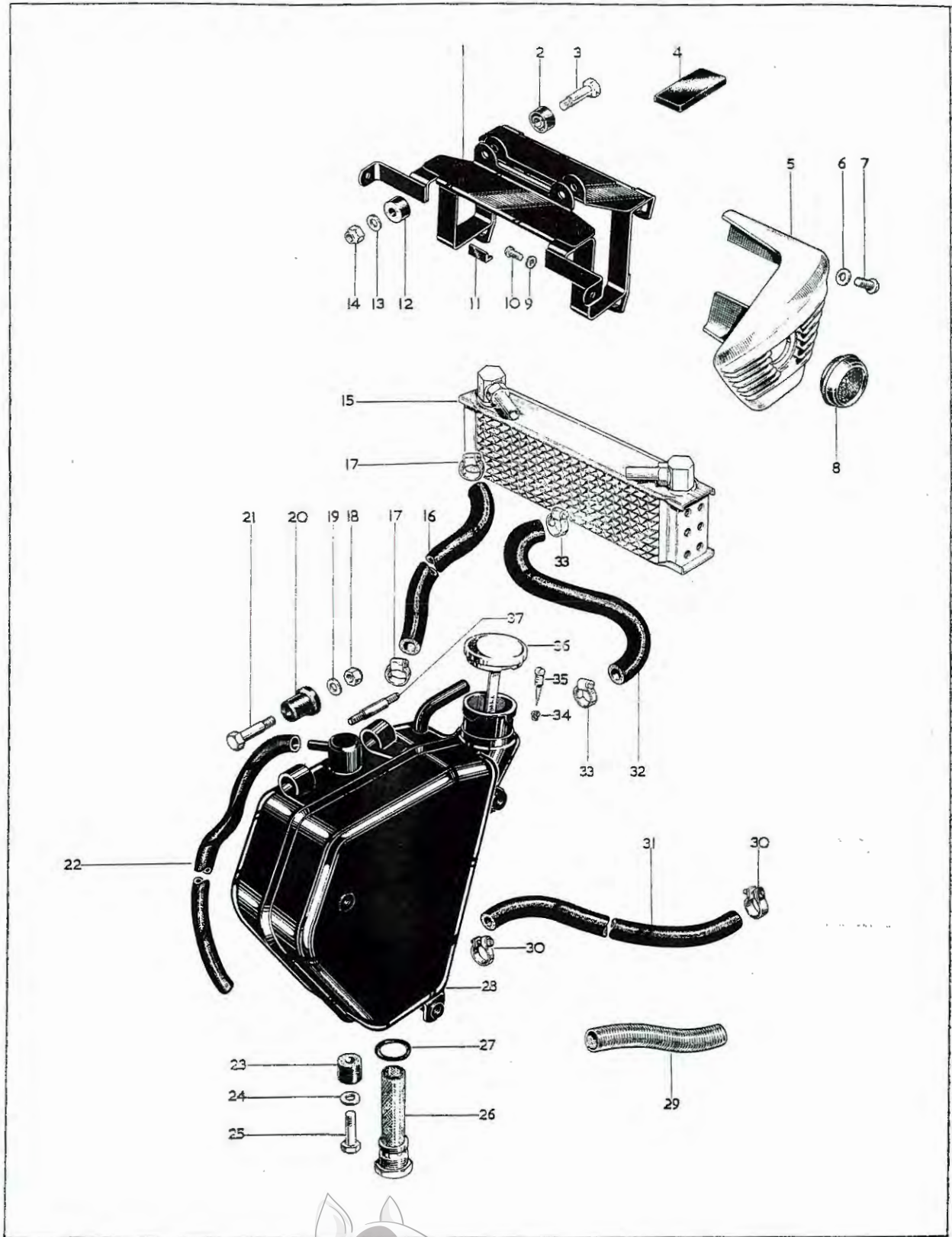




TOOLBOX, BATTERY CARRIER, AIR CLEANER

Plate Ref.	Spares Number	Description	Per Set
1.	82-8495	Toolbox
2.	14-101	Bolt, toolbox to frame ($\frac{1}{4}$ " U.N.F. \times $\frac{1}{2}$ ")	2
3.	2-525	Washer, toolbox to frame	2
4.	2-1462	Spring washer, toolbox to frame bolt ($\frac{1}{4}$ " \times $\frac{19}{32}$ " \times .040")	2
5.	21-768	Bolt, battery carrier to frame ($\frac{5}{16}$ " U.N.F. \times $1\frac{7}{16}$ ")	3
6.	2-2138	Washer (top), battery carrier to frame bolt ($\frac{3}{8}$ " \times $\frac{3}{4}$ " \times $\frac{1}{16}$ ")	3
7.	40-4524	Rubber, battery carrier to frame	3
8.	82-8463	Battery carrier
9.	40-4524	Rubber, battery carrier to frame	3
10.	82-9008	Washer (bottom), battery carrier to frame bolt	3
11.	14-1202	Nut, battery carrier to frame ($\frac{5}{16}$ " U.N.F.)	3
12.	68-4577	Battery strap
13.	4-2608	Battery strap hook
14.	68-4597	Battery tray
15.	14-213	Bolt, air cleaner box ($\frac{1}{4}$ " U.N.F. \times $3\frac{1}{2}$ ")	2
16.	40-2705	Washer, for bolt line 15 ($\frac{17}{64}$ " \times $\frac{15}{32}$ " \times $\frac{1}{16}$ ")	2
17.	82-9562	Grommet, air cleaner box	3
18.	82-9675	Air cleaner box
19.	82-9845	Air cleaner element
20.	82-8969	Air cleaner cover
21.	29-541	Lockwasher, air cleaner cover ($\frac{17}{64}$ " \times $\frac{15}{32}$ " \times .024")	2
22.	14-101	Bolt, air cleaner cover ($\frac{1}{4}$ " U.N.F. \times $\frac{1}{2}$ ")	2
23.	82-7431	Battery vent pipe
24.	60-706	Clip, breather pipe to air cleaner	2
25.	82-8743	Engine breather pipe
26.	82-7835	Rubber buffer, support bracket	2
27.	82-9682	Support bracket
28.	14-1201	Nut, bracket to frame bolt ($\frac{1}{4}$ " U.N.F.)	2
29.	2-525	Washer, bracket to frame bolt ($\frac{1}{4}$ " \times $\frac{1}{2}$ " \times .048")	2
30.	14-101	Bolt, bracket fixing ($\frac{1}{4}$ " U.N.F. \times $\frac{1}{2}$ ")	2
31.	82-9654	Sleeve for coils	3
32.	14-101	Bolt, coil support to frame ($\frac{1}{4}$ " U.N.F. \times $\frac{1}{2}$ ")
33.	2-1462	Spring washer, coil support to frame bolt ($\frac{1}{4}$ " \times $\frac{19}{32}$ " \times .040")
34.	83-1384	Coil support complete
35.	82-8549	Coil clamp
36.	24-7068	Spring washer, coil clamp bolt	2
37.	21-1981	Bolt, coil clamp (number 10 U.N.F. \times 2")	2

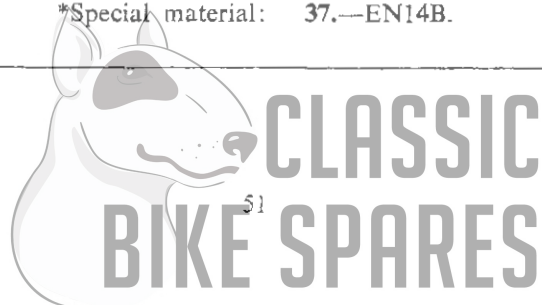


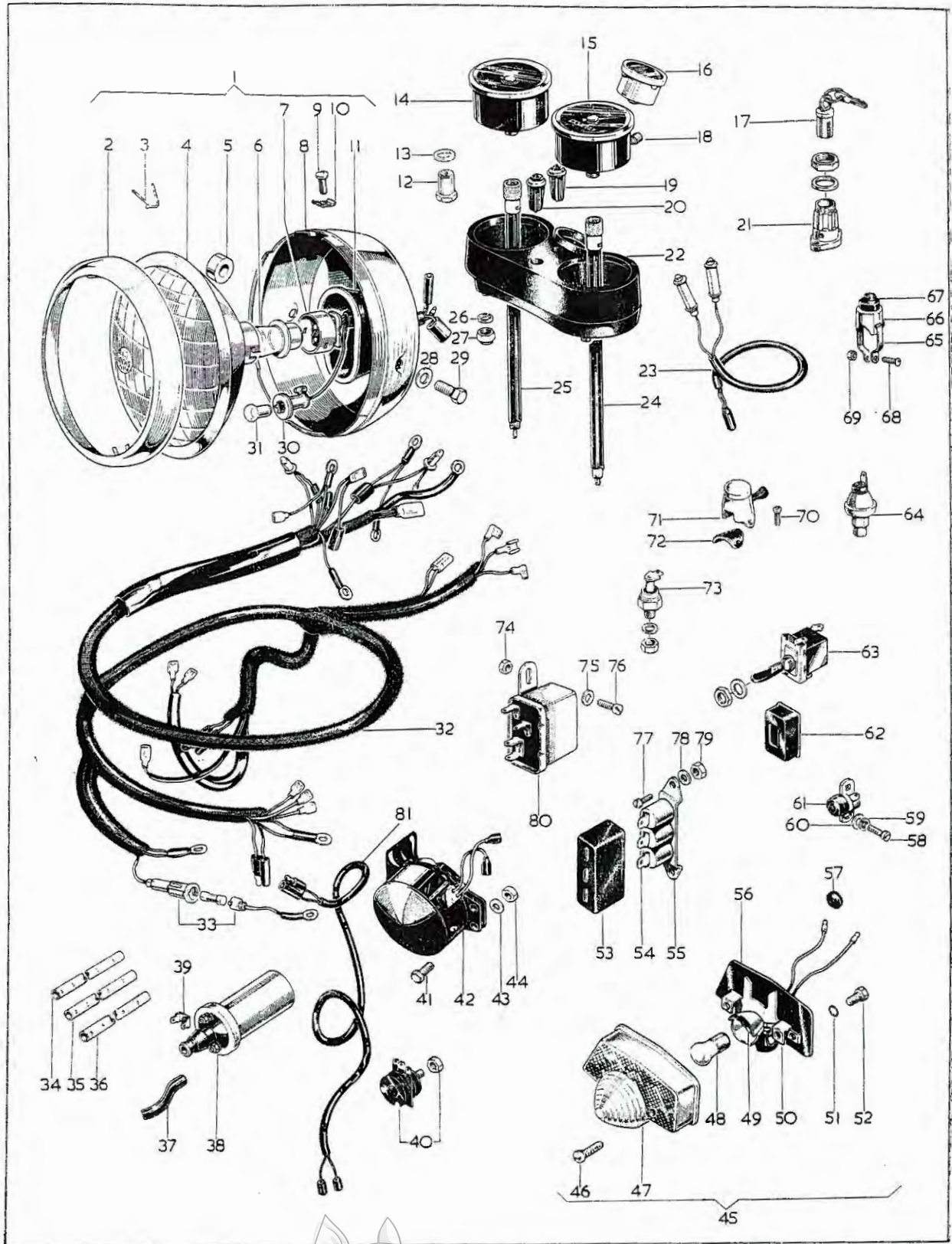


OIL TANK AND OIL COOLER

Plate Ref.	Spares Number	Description	Per Set
1.	82-9687	Oil cooler cradle	
2.	82-8657	Rubber, oil cooler mounting	2
3.	21-752	Bolt, oil cooler mounting (1/4" U.N.F. x 1-15/64")	2
4.	82-8667	Rubber pad, petrol tank to cooler cradle	2
5.	82-8628	Oil cooler cover (left-hand)	
5.	82-8629	Oil cooler cover (right-hand)	
6.	2-525	Washer, cover fixing—front (1/4" x 1/2" x .048")	4
7.	21-761	Screw, cover fixing—front (1/4" U.N.F. x 9/16")	4
8.	19-987	Side reflector (Lucas 57161)	2
9.	2-1096	Washer, cover fixing—rear (3/16" x 3/8" x .044")	2
10.	21-762	Screw, cover fixing—rear (Posidrive number 10 x 9/16")	2
11.	82-9322	Packing rubber, oil cooler to strap	8
12.	82-8657	Rubber, cooler cradle mounting	2
13.	2-525	Washer, cooler cradle mounting (1/4" x 1/2" x .048")	2
14.	14-1301	Nut, cooler cradle mounting (1/4" U.N.F.)	2
15.	82-9315	Oil cooler	
16.	70-8906	Flexible pipe, oil cooler to rocker box	
17.	60-702	Clip, flexible oil pipe	2
18.	14-1301	Nut, oil tank top mounting (1/4" U.N.F.)	3
19.	27-8560	Washer, oil tank top mounting (1/4" x 5/8" x .048")	4
20.	40-8436	Rubber, oil tank top mounting	2
21.	21-754	Bolt, oil tank top mounting (1/4" U.N.F. x 1 3/8")	
22.	82-9664	Breather pipe, oil tank	
23.	82-8459	Rubber, bottom oil tank mounting	
24.	2-923	Washer, bottom oil tank mounting (5/16" x 5/8" x 1/16")	
25.	14-217	Bolt, bottom oil tank mounting (5/16" U.N.F. x 1 1/4")	
26.	83-1387	Oil tank filter plug complete	
27.	68-610	"O" ring, filter plug	
28.	82-8452	Oil tank with fixed fittings	
29.	82-9530	Oil feed pipe spring	
29.	82-9531	Oil return pipe spring	
30.	70-6848	Clip, flexible oil feed pipe	2
31.	70-8904	Flexible pipe, oil tank to engine	
32.	70-8907	Flexible pipe, cooler to tank	
33.	60-702	Clip, flexible oil pipe	2
34.	82-6874	Metering screw spring	
35.	82-9435	Metering screw, chain oiler (1/4" U.N.F. x 29/64")	
36.	82-8627	Filler cap, dipstick	
37.	83-1386*	Stud, oil tank front fixing (1/4" U.N.F./U.N.F. x 1-9/16")	
	82-9918	Clip, oil pipes to frame (not illustrated)	4

*Special material: 37.—EN14B.

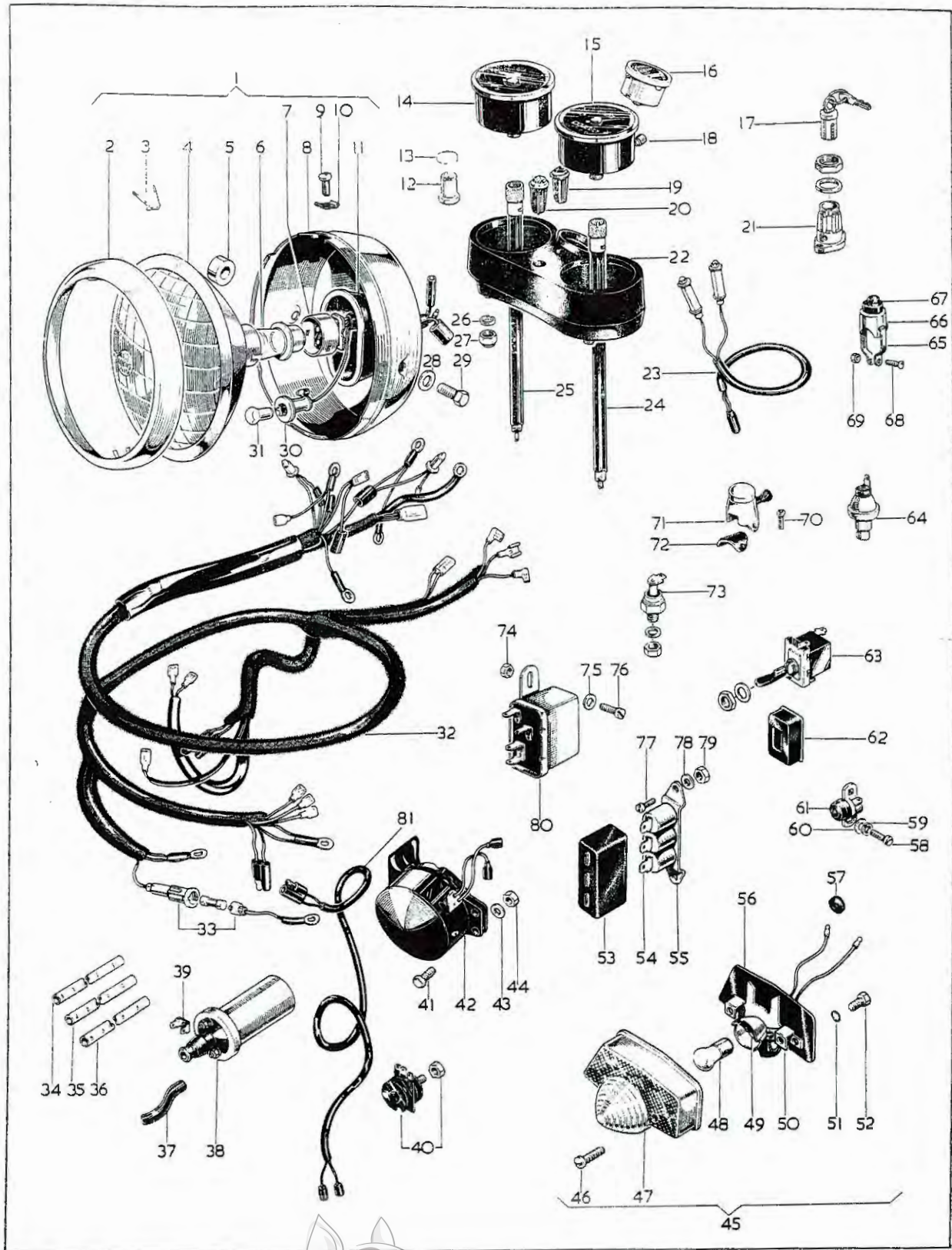




ELECTRICAL EQUIPMENT

Plate Ref.	Spares Number	Description	Per Set
1.	19-981	Headlamp complete, standard (Lucas 59892)
1.	19-1149	Headlamp complete, Europe (Lucas 59894)
2.		Headlamp rim (Lucas 553248)
3.		Wire fixing light unit (Lucas 504665)
4.		Light unit, standard (Lucas 516798)
4.		Light unit, Europe (Lucas 54522680)
5.	97-1932	Headlamp spacer
6.		Main bulb, standard (Lucas 446)
6.		Main bulb, Europe (Lucas 410)
7.		Sleeve, terminal (Lucas 555910)
8.		Lamp body (Lucas 54524099)
9.		Screw fixing, headlamp rim (Lucas 144921)
10.		Plate for rim screw (Lucas 534296)
11.		Extension cover (Lucas 54524048)
12.	97-3632	Sleeve nut, speedometer/tachometer mounting (10 U.N.F.)
13.	70-8770	Washer, for nut line 12
14.	19-8940	Tachometer head (Smiths RSM.3003/01)
15.	19-8936	Speedometer head, m.p.h. (Smiths SSM.5001/05)
15.	19-8945	Speedometer head, k.p.h. (Smiths SSM.5001/12)
16.	19-1164	Ammeter (Lucas 36421)
17.	82-6981	Ignition lock and key (Wilmot Breedon 1-6280)
18.	19-9080	Speedometer trip shaft (Smiths 41-148-203-10)
19.	19-982	High beam warning light, green (Lucas 38191)
20.	19-965	Oil pressure warning light, red (Lucas 38189)
21.	19-1775	Ignition switch (Lucas 31899)
22.	97-2297	Binnacle complete
23.	19-1303	Light lead for speedometer/tachometer (Lucas 54953446)
24.	19-9090	Speedometer cable (Smiths)
25.	19-9091	Tachometer cable (Smiths DF.9111/00)
26.	54-9081	Spring washer, binnacle mounting
27.	14-1201	Nut, binnacle mounting (1/4" U.N.F.)
28.		Washer, headlamp mounting (Lucas 137498)
29.		Bolt, headlamp mounting (Lucas 112201)
30.		Pilot bulb holder (Lucas 54573590)
31.		Interior, pilot bulb holder (Lucas 553780)—not illustrated
		Pilot bulb (Lucas 989)
		*Adaptor, headlamp—Europe (Lucas 553738)—not illustrated
		*Spring, retaining main bulb—Europe (Lucas 556442)—not illustrated
32.	19-1304	Main wiring harness (Lucas 54955800)
33.		Fuse holder complete (Lucas 54190387)
33.		Fuse only, 35 amp. (Lucas 188218)
34.	19-1874	Identification sleeve for high-tension lead number 1
35.	19-1875	Identification sleeve for high-tension lead number 2
36.	19-1876	Identification sleeve for high-tension lead number 3
37.	19-1867	High-tension lead (Lucas 842189) for use with Siba coil
37.	19-1882	High-tension lead (Lucas 54956435) for use with Lucas coil
38.	19-1854	High-tension coil, 12 volt (Siba 32000)
38.	19-1881	High-tension coil (Lucas 45221)
39.	19-970	"Lucar" blade for coil (Lucas 54190108)
40.	19-1715	Rectifier with nut (Lucas 49072)





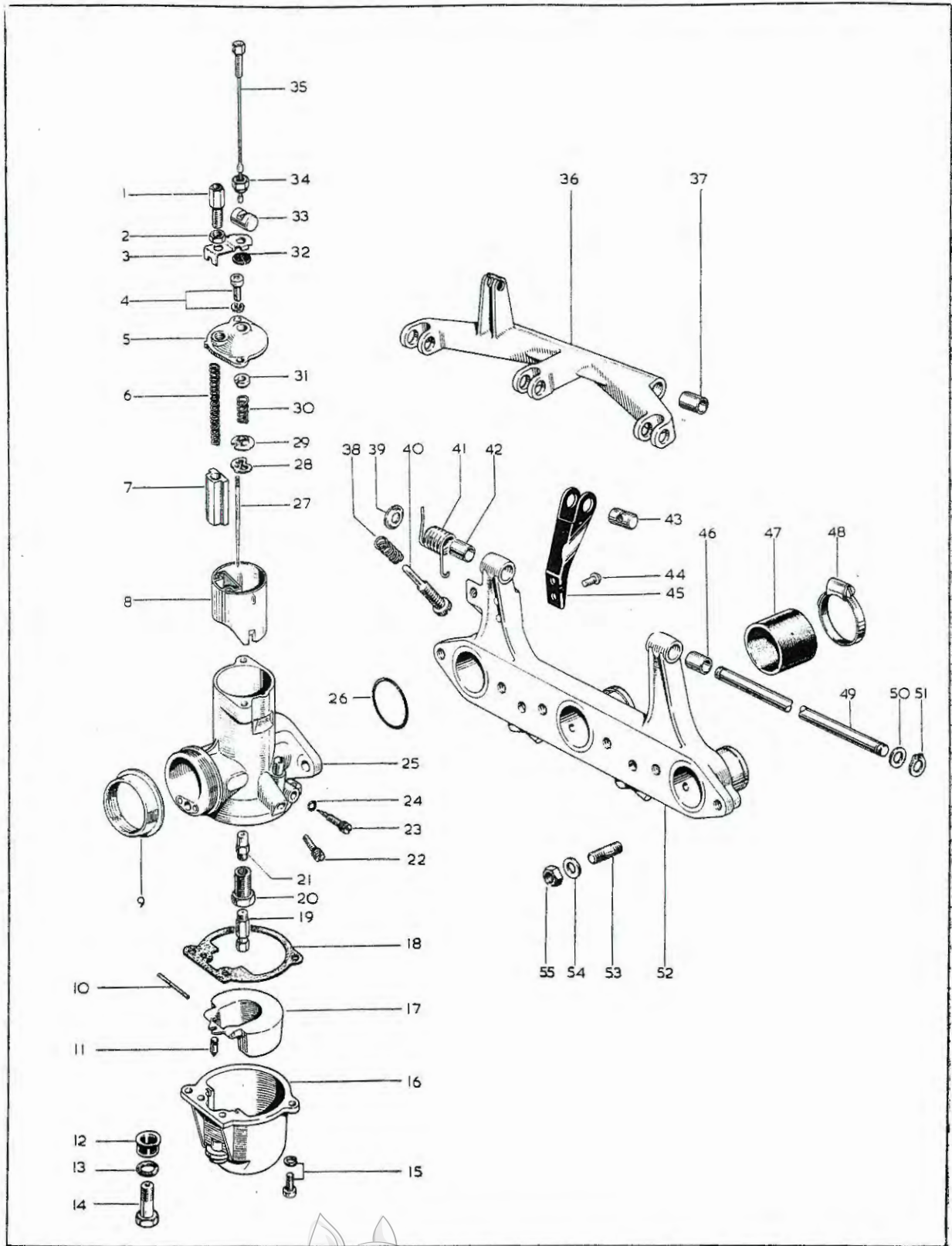
ELECTRICAL EQUIPMENT

Plate Ref.	Spares Number	Description	Per Set
41.	14-104	Bolt, horn mounting ($\frac{1}{4}$ " U.N.F. \times $\frac{7}{8}$ ")	4
42.	19-2070	Windtone horn, right-hand (Clearhooter P.201)	
42.	19-2071	Windtone horn, left-hand (Clearhooter P.101)	
43.	2-525	Washer, horn mounting ($\frac{1}{4}$ " \times $\frac{1}{2}$ " \times .048")	4
44.	14-1801	Nut, horn mounting ($\frac{1}{4}$ " U.N.F.)	4
45.	19-1245	Stop/tail lamp (Lucas 53973)	
46.		Screw for stop lamp lens (Lucas 144921)	
47.		Lens for stop lamp (Lucas 54577109)	
48.		Bulb for stop lamp (Lucas 380)	
		Interior, bulb holder (Lucas 573828)— <i>not illustrated</i>	
49.		Bulb holder assembly (Lucas 54578213)	
50.		Base assembly (Lucas 54578212)	
51.		Washer, for fixing screw (Lucas 188330)	2
52.		Screw for fixing lamp (Lucas 110714)	2
53.	19-1848	Rubber cover, condenser pack (Lucas 54418528)	
54.	19-1847	Condenser (Lucas 54420128)	3
55.	19-1861	Condenser base plate (Lucas 54418526)	
56.		Gasket, stop/tail lamp (Lucas 54571677)	
57.	19-1873	Grommet, for tail lamp leads (Lucas 199001)	2
58.	21-770	Screw, stop switch mounting (number 10 U.N.F. \times $\frac{1}{2}$ ")	2
59.	24-978	Spring washer, stop switch mounting ($\frac{1}{4}$ " \times $\frac{7}{16}$ " \times 19 G.)	2
60.	2-1096	Washer, stop switch mounting ($\frac{1}{16}$ " \times $\frac{3}{8}$ " \times .044")	2
61.	19-916	Stop lamp switch (Lucas 34815)	
62.	82-9692	Rubber cover for light switch, line 63	
63.	19-1030	Light switch (Lucas 31788)	
64.	19-6508	Oil pressure switch (Smiths 5300/1/07)	
65.	68-9351	Clip, cut-out switch mounting	2
66.	97-2259	Cup, ignition cut-out switch	
67.	19-1152	Ignition cut-out switch (Lucas 35835)	
68.	54-6510	Screw, cut-out switch mounting clip	
69.	21-5160	Nut, for screw line 68 (2 B.A.)	
70.	97-1994	Screw, dipper switch to handlebar (number 6 \times 32 Tapdite)	2
71.	19-1150	Horn and dipper switch less cable (Lucas 31563)	
72.	19-1153	Mounting pad for dipper switch (Lucas 380459)	
73.	19-1735	Zener diode (Lucas 49345)	
74.	21-778	Nut, horn relay mounting (number 10 U.N.F.)	2
75.	2-1096	Washer, horn relay mounting ($\frac{3}{16}$ " \times $\frac{3}{8}$ " \times .044")	2
76.	21-762	Screw, horn relay mounting (number 10 U.N.F. \times $\frac{3}{8}$ ")	2
77.	21-762	Bolt, condenser pack mounting (number 10 U.N.F. \times $\frac{3}{8}$ ")	2
78.	2-1096	Washer, condenser pack mounting ($\frac{1}{16}$ " \times $\frac{3}{8}$ " \times .044")	2
79.	21-778	Nut, condenser pack mounting (number 10 U.N.F.)	2
80.	19-953	Horn relay (Lucas 33188)	
81.	19-1869	Tail lamp lead (Lucas 54953444)	
	17-1776	Battery, 12 volt (Lucas 54027029)	

*Other details are same as 19-981, headlamp.

NOTE:—Where no B.S.A. part number is quoted the part is only available from the makers.





CARBURETTERS AND THROTTLE LINKAGE

Plate Ref.	Spares Number	Description	Per Set
	B.S.A. NO.	MAKERS NO.	
1.		4/035 Air cable adjuster	3
2.		5/077 Air cable adjuster locknut	3
3.		622/125 Seal locating clip	3
4.	19-3093	622/086 Screw and washer for top cap	6
5.		622/097 Carburetter top cap	3
6.	19-3092	622/065 Air valve spring	3
7.	19-3091	622/062 Air valve	3
8.	19-3138	622/060 Throttle valve (3)	3
9.	70-9586	Adaptor, carburetter intake	3
		622/107 Pilot jet tube (not removable)	3
10.		622/071 Float spindle	3
11.	19-3105	622/068 Needle for float	3
12.	19-3048	376/093 Petrol filter	3
13.		13/163 Fibre washer for banjo bolt	3
14.	19-3103	622/078 Banjo bolt, petrol pipe to float chamber	3
15.	19-3093	622/086 Screw and washer for float chamber	6
16.		622/050 Carburetter float chamber	3
17.	19-3102	622/069 Carburetter float	3
18.	19-3106	622/073 Float chamber gasket	3
19.	19-3099	376/100 Main jet (150 c.c.)	3
20.		622/080 Main jet holder	3
21.	19-3136	622/122 Needle jet (.106")	3
22.		622/133 Plug screw	3
23.		622/076 Pilot air adjusting screw	3
24.	19-3098	622/082 "O" ring for pilot air screw	3
25.	19-2409	L.626/15 Carburetter complete, left-hand (short air cable)	
25.	19-2415	R.626/16 Carburetter complete, centre (medium air cable)	
25.	19-2408	R.626/14 Carburetter complete, right-hand (long air cable)	
26.	19-3090	622/101 "O" ring, carburetter flange	3
27.	19-3137	622/124 Throttle needle	3
28.	19-3095	622/067 Clip for throttle needle	3
29.	60-1987	622/116 Retaining plate, throttle rod spring	3
30.	60-1960	622/113 Retaining spring, throttle rod	3
31.	60-1959	622/115 Retaining cap, throttle rod	3
32.		622/126 Seal washer, top cap	3
33.	70-9243	Trunnion, throttle linkage	3
34.	70-9253	Locknut, throttle rod	3
35.	60-1984	622/119 Throttle assembly	3
36.	70-9278	Arm assembly, throttle linkage	
37.	70-9073	Bush, throttle arm	2
38.	70-9254	Spring, adjuster screw, throttle stop	
39.	70-9821	Retainer, throttle return spring	
40.	70-9252	Adjuster screw, throttle stop	
41.	70-9880	Throttle return spring	
42.	70-9820	Spacer, throttle return spring	
43.	70-9243	Trunnion, throttle linkage	
44.	21-774	Screw, support arm to adaptor	2
45.	70-9242	Support arm, throttle linkage	
46.	70-9073	Bush, adaptor spindle	2
47.	70-9060	Connection tube	3
48.	60-707	"Jubilee" clip, connection tube	6
49.	70-9251	Spindle, throttle linkage	
50.	71-245	Backing washer, spindle	2
51.	70-9255	Circlip, spindle	2
52.	70-7633	Carburetter adaptor	
53.	21-673	Stud, carburetter mounting ($\frac{5}{16}$ " U.N.C./U.N.F. $\times 1\frac{1}{4}$ ")	6
54.	54-55	Washer, carburetter mounting	6
55.	14-302	Nut, carburetter mounting ($\frac{5}{16}$ " U.N.F.)	6

NOTE:—Where no B.S.A. part number is quoted, the part is only available from the makers.

Plate 22

TOOL KIT

<i>Plate Ref.</i>	<i>Spares Number</i>	<i>Description</i>	<i>Per Set</i>
1.	60-311	Double-ended ring spanner ($\frac{5}{8}$ " \times $1\frac{1}{16}$ " WHIT.)
2.	60-2084	Double open-ended spanner ($\frac{1}{2}$ " \times $\frac{7}{16}$ " A.F.)
3.	60-1908	Double-ended box spanner ($1\frac{1}{8}$ " \times $1\frac{5}{16}$ " hexagon)
4.	60-1910	Spark plug spanner
5.	60-1909	Double-ended box spanner ($\frac{5}{8}$ " \times $15/16$ " hexagon)
6.	60-2020	Tappet spanner
7.	75-9076	"C" spanner with square socket
8.	75-9089	Tool roll
9.	60-1911	Tommybar
10.	60-1907	Double-ended ring spanner ($\frac{7}{16}$ " \times $\frac{1}{2}$ " hexagon)
11.	60-767	Screwdriver complete
	60-1912	Toolkit complete

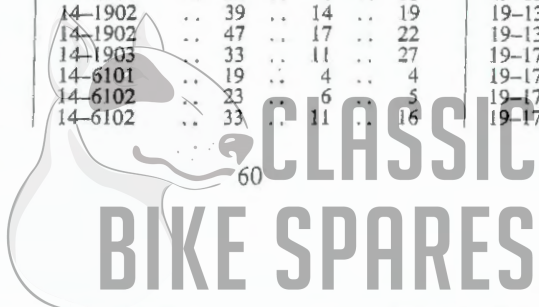


NUMERICAL INDEX

NUMBER	PAGE	PLATE	CODE
00-3172	6	—	—
00-3315	6	—	—
00-3466	5	—	—
00-3466	6	—	—
00-3467	5	—	—
00-3467	6	—	—
00-3468	5	—	—
00-3468	6	—	—
00-3469	5	—	—
00-3469	6	—	—
00-3470	5	—	—
00-3470	6	—	—
2-522	29	9	27
2-525	49	18	3
2-525	51	19	6
2-525	51	19	13
2-525	49	18	29
2-525	55	20	43
2-525	41	15	44
2-525	41	15	50
2-861	11	1	42
2-923	47	17	21
2-923	51	19	24
2-923	29	9	51
2-923	29	9	53
2-923	29	9	56
2-1096	51	19	9
2-1096	55	20	60
2-1096	55	20	75
2-1096	55	20	78
2-1462	49	18	4
2-1462	49	18	33
2-1733	47	17	26
2-1967	29	9	11
2-1967	29	9	33
2-2138	29	9	2
2-2138	49	18	6
2-2138	29	9	7
2-2138	31	10	25
3-101	45	16	43
3-107	29	9	23
3-1346	31	10	36
4-35	57	21	1
4-2276	29	9	44
4-2608	49	18	13
5-77	57	21	2
5-77	43	16	22
11-13	43	16	6
11-13	43	16	20
11-14	43	16	6
11-14	43	16	6
12-594	43	16	8
12-595	43	16	16
13-163	57	21	13
14-101	49	18	2
14-101	41	15	4
14-101	41	15	16
14-101	49	18	22
14-101	41	15	30
14-101	49	18	30
14-101	41	15	32
14-101	49	18	32
14-101	41	15	33
14-101	41	15	52
14-104	55	20	41
14-106	31	10	8
14-113	33	11	15
14-113	31	10	21
14-113	47	17	29
14-114	41	15	40

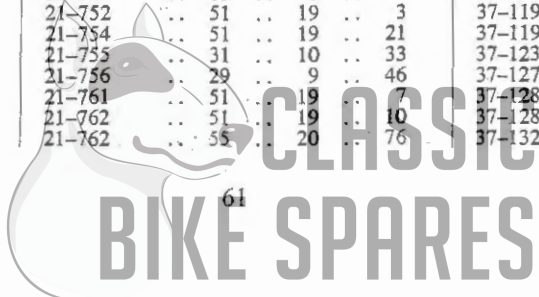
NUMBER	PAGE	PLATE	CODE
14-115	29	9	54
14-129	47	17	27
14-145	29	9	24
14-201	9	1	17
14-201	27	8	18
14-205	9	1	29
14-206	41	15	3
14-208	15	3	35
14-213	49	18	15
14-217	31	10	18
14-217	51	19	25
14-218	35	12	24
14-218	29	9	59
14-219	47	17	13
14-220	29	9	55
14-221	29	9	52
14-235	31	10	2
14-235	31	10	22
14-237	29	9	1
14-301	27	8	5
14-301	11	1	68
14-302	47	17	20
14-302	27	8	22
14-302	29	9	32
14-302	45	16	46
14-302	57	21	55
14-302	17	3	87
14-303	37	13	20
14-303	37	13	25
14-303	29	9	26
14-303	11	1	43
14-304	29	9	10
14-304	29	9	34
14-304	39	14	53
14-401	31	10	7
14-401	37	13	22
14-401	17	3	63
14-402	29	9	42
14-402	23	6	46
14-402	11	1	58
14-403	29	9	6
14-404	31	10	42
14-405	31	10	47
14-702	41	15	42
14-90?	29	9	12
14-1201	41	15	19
14-1201	53	20	27
14-1201	41	15	28
14-1201	49	18	28
14-1201	9	1	34
14-1202	41	15	10
14-1202	49	18	11
14-1202	47	17	32
14-1203	13	2	15
14-1301	41	15	11
14-1301	51	19	14
14-1301	51	19	18
14-1301	41	15	36
14-1301	41	15	39
14-1301	41	15	43
14-1301	41	15	49
14-1302	47	17	19
14-1302	29	9	50
14-1302	29	9	58
14-1303	31	10	6
14-1303	33	11	18
14-1303	47	17	24
14-1303	31	10	26
14-1401	9	1	14
14-1427	15	3	24
14-1801	55	20	44
14-1901	23	6	33
14-1902	39	14	19
14-1902	47	17	22
14-1903	33	11	27
14-6101	19	4	5
14-6102	23	6	5
14-6102	33	11	16

NUMBER	PAGE	PLATE	CODE
14-6103	17	3	80
14-6113	15	3	25
14-6121	25	7	17
14-6211	9	1	5
14-6218	17	3	60
14-6218	17	3	103
14-6220	15	3	1
14-6223	17	3	96
14-6226	17	3	59
14-6226	17	3	102
14-6504	23	6	21
14-6510	23	6	28
14-6515	21	5	23
14-6605	23	6	1
14-6606	15	3	14
14-6606	19	4	8
14-6608	27	8	24
14-6608	17	3	71
14-6609	21	5	28
14-6610	23	6	38
14-6611	23	6	17
14-6611	15	3	46
14-6612	15	3	47
14-6613	23	6	9
14-6613	27	8	13
14-6614	25	7	19
14-6615	27	8	15
14-6615	23	6	18
14-7004	11	1	50
14-7006	19	4	7
14-7101	25	7	15
15-39	31	10	35
15-431	29	9	16
15-431	29	9	19
15-5155	41	15	8
15-5155	41	15	9
15-5155	31	10	17
15-5155	47	17	33
16-8	43	16	24
16-9	45	16	26
16-10	43	16	25
18-53	43	16	11
18-87	43	16	12
18-752	43	16	13
18-754	43	16	13
18-773	43	16	10
18-776	43	16	10
18-952	45	16	50
18-978	43	16	17
18-1708	43	16	14
18-1709	43	16	15
19-916	55	20	61
19-943	41	15	24
19-953	55	20	80
19-965	53	20	20
19-970	53	20	39
19-981	53	20	1
19-982	53	20	19
19-987	51	19	8
19-1030	55	20	63
19-1149	53	20	1
19-1150	55	20	71
19-1152	55	20	67
19-1153	55	20	72
19-1164	53	20	16
19-1245	55	20	45
19-1259	15	3	53
19-1260	15	3	52
19-1303	53	20	23
19-1304	53	20	32
19-1715	53	20	40
19-1735	55	20	73
19-1775	53	20	21
19-1776	55	—	—



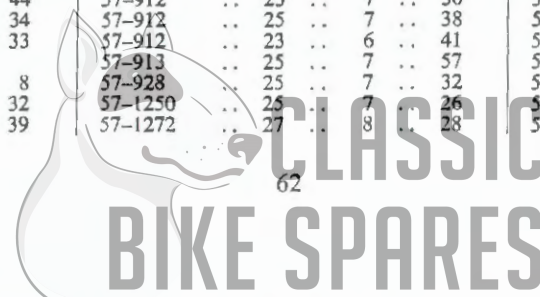
NUMERICAL INDEX—continued

NUMBER	PAGE	PLATE	CODE	NUMBER	PAGE	PLATE	CODE	NUMBER	PAGE	PLATE	CODE
19-1847	55	20	54	19-5190	4	—	—	21-762	55	20	77
19-1848	55	20	53	19-5191	4	—	—	21-767	47	17	9
19-1854	53	20	38	19-5192	4	—	—	21-768	49	18	5
19-1861	55	20	55	19-5193	4	—	—	21-769	31	10	41
19-1863	17	3	68	19-5194	4	—	—	21-770	55	20	58
19-1864	15	3	31	19-5195	4	—	—	21-774	57	21	44
19-1865	15	3	28	19-5196	4	—	—	21-778	55	20	74
19-1867	53	20	37	19-5197	4	—	—	21-778	55	20	79
19-1869	55	20	81	19-5198	4	—	—	21-779	29	9	15
19-1873	55	20	57	19-5199	4	—	—	21-780	29	9	20
19-1874	53	20	34	19-5200	4	—	—	21-1802	39	14	51
19-1875	53	20	35	19-5305	31	10	4	21-1811	25	7	1
19-1876	53	20	36	19-5305	31	10	24	21-1813	17	3	85
19-1881	53	20	38	19-6500	39	14	18	21-1819	19	4	43
19-1882	53	20	37	19-6508	55	20	64	21-1820	19	4	3
19-2070	55	20	42	19-7222	45	16	30	21-1822	47	17	29
19-2071	55	20	42	19-7237	43	16	19	21-1822	41	15	46
19-2408	5	—	—	19-7446	31	10	3	21-1857	25	7	54
19-2408	57	21	25	19-7447	31	10	1	21-1860	27	8	21
19-2409	5	—	—	19-7606	9	1	38	21-1862	25	7	58
19-2409	57	21	25	19-7638	9	1	37	21-1912	15	3	6
19-2415	5	—	—	19-7711	39	14	41	21-1930	57	21	43
19-2415	57	21	25	19-7734	37	13	32	21-1931	15	3	3
19-3048	57	21	12	19-7800	6	—	—	21-1979	47	17	9
19-3090	57	21	26	19-7800	21	—	—	21-1981	49	18	37
19-3091	57	21	7	19-7801	21	5	15	21-1990	41	15	7
19-3092	57	21	6	19-7802	21	5	31	21-1993	45	16	39
19-3093	57	21	4	19-7803	21	5	18	21-1995	37	13	21
19-3093	57	21	15	19-7804	21	5	17	21-1998	37	13	15
19-3095	57	21	28	19-7805	21	5	16	21-5160	55	20	69
19-3098	57	21	24	19-7806	21	5	35	21-5161	41	15	21
19-3099	57	21	19	19-7807	21	5	34	21-5161	47	17	31
19-3102	57	21	17	19-7808	21	5	33	21-6206	45	16	31
19-3103	57	21	14	19-7809	21	—	—				
19-3105	57	21	11	19-8638	39	14	54	24-978	55	20	59
19-3106	57	21	18	19-8692	21	5	6	24-1088	31	10	27
19-3136	57	21	21	19-8936	53	20	15	24-1088	29	9	29
19-3137	57	21	27	19-8940	53	20	14	24-1088	31	10	44
19-3138	57	21	8	19-8945	53	20	15	24-7068	49	18	36
19-5151	4	—	—	19-9080	53	20	18	24-8784	29	9	31
19-5152	4	—	—	19-9090	53	20	24				
19-5153	4	—	—	19-9091	53	20	25	27-8560	41	15	12
19-5154	4	—	—	19-9221	39	14	25	27-8560	51	19	19
19-5155	4	—	—					27-8560	41	15	29
19-5156	4	—	—					27-8560	41	15	31
19-5157	4	—	—	21-536	19	4	39	27-8560	41	15	34
19-5158	4	—	—	21-541	27	8	25	27-8560	41	15	35
19-5159	4	—	—	21-542	25	7	40	27-8560	41	15	38
19-5160	4	—	—	21-544	27	8	19				
19-5161	4	—	—	21-547	27	8	6	29-541	41	15	2
19-5162	4	—	—	21-547	41	15	26	29-541	27	8	4
19-5163	4	—	—	21-547	17	3	95	29-541	49	18	21
19-5164	4	—	—	21-548	17	3	66	29-541	39	14	42
19-5165	4	—	—	21-549	13	2	12	29-7583	29	9	48
19-5166	4	—	—	21-550	9	1	27				
19-5167	4	—	—	21-557	11	1	70	35-6436	39	14	40
19-5168	4	—	—	21-559	19	4	30				
19-5169	4	—	—	21-567	23	6	14	36-382	31	10	20
19-5170	4	—	—	21-578	33	11	7	36-382	29	9	43
19-5171	4	—	—	21-585	19	4	51				
19-5172	4	—	—	21-589	33	11	2	37-270	39	14	16
19-5173	4	—	—	21-594	25	7	21	37-1021	39	14	8
19-5174	4	—	—	21-673	57	21	53	37-1022	39	14	10
19-5175	4	—	—	21-677	15	3	50	37-1024	39	14	38
19-5176	4	—	—	21-678	17	3	92	37-1083	39	14	32
19-5177	4	—	—	21-680	21	5	24	37-1090	39	14	48
19-5178	4	—	—	21-681	21	5	30	37-1104	39	14	14
19-5179	4	—	—	21-684	33	11	4	37-1106	39	14	15
19-5180	4	—	—	21-685	33	11	8	37-1111	6	—	—
19-5181	4	—	—	21-686	11	1	40	37-1111	39	—	—
19-5182	4	—	—	21-692	15	3	7	37-1112	39	14	46
19-5183	4	—	—	21-752	51	19	3	37-1197	37	13	35
19-5184	4	—	—	21-754	51	19	21	37-1198	37	13	35
19-5185	4	—	—	21-755	31	10	33	37-1230	37	13	38
19-5186	4	—	—	21-756	29	9	46	37-1278	39	14	12
19-5187	4	—	—	21-761	51	19	7	37-1280	39	14	24
19-5188	4	—	—	21-762	51	19	10	37-1281	39	14	31
19-5189	4	—	—	21-762	55	20	76	37-1328	37	13	39



NUMERICAL INDEX—continued

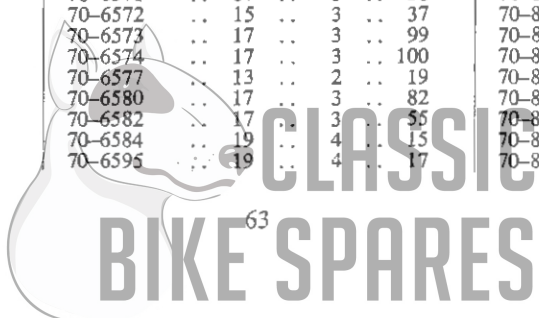
NUMBER	PAGE	PLATE	CODE	NUMBER	PAGE	PLATE	CODE	NUMBER	PAGE	PLATE	CODE
37-1467	31	10	14	42-5575	41	15	27	57-1606	25	7	39
37-1474	39	14	11	42-5812	39	14	17	57-1607	25	7	31
37-1476	39	14	27	42-5812	37	13	34	57-1614	25	7	37
37-1477	39	14	26	42-5819	37	13	1	57-1645	23	6	35
37-1481	37	13	2	42-5819	37	13	7	57-1645	23	6	12
37-1498	39	14	37	42-5819	39	14	9	57-1896	25	7	14
37-1500	39	14	43	42-5819	39	14	29	57-1918	25	7	42
37-1635	39	14	30	42-5820	37	13	41	57-1920	17	3	98
37-1654	39	14	28	42-5821	25	7	28	57-1955	27	8	34
37-1690	39	14	36	42-5836	37	13	28	57-1956	27	8	35
37-1708	37	13	37	42-5841	37	13	11	57-1962	25	7	27
37-1709	37	13	36	42-5841	39	14	45	57-1963	25	7	25
37-1710	39	14	7	42-6335	37	13	8	57-2116	25	7	41
37-1991	37	13	16	42-8034	29	9	38	57-2165	25	7	3
37-1996	37	13	10					57-2166	23	6	15
37-2001	37	13	9	47-9012	31	10	28	57-2166	9	1	23
37-2003	37	13	27	47-9012	29	9	30	57-2169	27	8	40
37-2005	37	13	23	47-9012	31	10	45	57-2170	25	7	24
37-2006	37	13	24					57-2172	25	7	49
37-2015	39	14	6	54-22	33	11	14	57-2174	25	7	48
37-2026	37	13	12	54-22	17	3	62	57-2176	25	7	46
37-2026	37	13	31	54-22	17	3	81	57-2214	21	5	10
37-2027	39	14	5	54-42	35	12	26	57-2215	23	6	23
37-2027	37	13	19	54-55	15	3	2	57-2220	23	6	13
37-2027	37	13	26	54-55	27	8	20	57-2244	23	6	22
37-2059	37	13	33	54-55	27	8	23	57-2245	21	5	9
37-2089	39	14	22	54-55	41	15	41	57-2250	21	5	5
37-2092	37	13	40	54-55	19	4	42	57-2251	21	5	6
37-2129	37	13	13	54-55	15	3	51	57-2251	21	5	6
37-2240	37	13	3	54-55	57	21	54	57-2330	27	8	29
37-3312	6	—	—	54-55	17	3	86	57-2331	31	10	38
37-3312	37	—	—	54-55	17	3	91	57-2465	23	6	42
37-3317	6	—	—	54-124	39	14	1	57-2471	21	5	11
37-3317	37	13	4	54-170	41	15	20	57-2473	23	6	7
37-3337	37	13	6	54-170	47	17	30	57-2474	23	6	6
37-3411	39	14	39	54-170	15	3	39	57-2478	21	5	4
37-3425	39	14	47	54-2537	47	17	14	57-2479	21	5	36
37-3426	39	14	23	54-4306	39	14	4	57-2480	21	5	3
37-3453	37	13	18	54-4307	13	2	16	57-2547	23	6	44
37-3454	37	13	30	54-4307	33	11	19	57-2552	21	5	32
37-3456	6	—	—	54-4307	31	10	23	57-2553	23	6	4
37-3456	39	—	—	54-5504	41	15	47	57-2554	21	5	27
37-3457	6	—	—	54-6510	55	20	68	57-2555	21	5	22
37-3457	39	14	13	54-8003	33	11	13	57-2556	21	5	21
37-3461	6	—	—	54-8003	35	12	23	57-2557	21	5	29
37-3461	37	—	—	54-8003	47	17	28	57-2558	19	4	11
37-3522	37	13	17	54-9012	41	15	15	57-2580	21	5	20
37-3582	37	13	5	54-9012	47	17	17	57-2581	21	5	8
				54-9012	15	3	40	57-2595	25	7	7
40-156	11	1	51	54-9081	9	1	2	57-2596	25	7	56
40-158	11	1	52	54-9081	41	15	17	57-2601	25	7	12
40-159	9	1	26	54-9081	9	1	18	57-2603	27	8	14
40-167	11	1	57	54-9081	53	20	26	57-2653	27	8	32
40-242	13	2	13					57-2656	25	7	9
40-323	27	8	11	57-23	27	8	36	57-3610	23	6	27
40-323	15	3	17	57-24	27	8	39	57-3614	23	6	24
40-2705	49	18	16	57-31	27	8	38	57-3617	23	6	25
40-2705	11	1	69	57-44	25	7	52	57-3619	23	6	19
40-3085	27	8	27	57-47	27	8	37	57-3620	23	6	20
40-4071	39	14	2	57-280	37	13	42	57-3621	25	7	29
40-4071	39	14	52	57-291	25	7	6	57-3633	25	7	2
40-4524	49	18	7	57-397	25	7	10	57-3634	25	7	53
40-4524	49	18	9	57-404	27	8	2	57-3638	23	6	8
40-4850	29	9	21	57-405	27	8	8	57-3641	19	4	9
40-5069	35	12	20	57-406	27	8	7	57-3642	21	5	26
40-6040	39	14	20	57-407	27	8	3	57-3642	19	4	41
40-8046	47	17	7	57-409	27	8	9	57-3643	21	5	7
40-8085	45	16	45	57-412	25	7	16	57-3643	23	6	29
40-8436	51	19	20	57-448	25	7	4	57-3644	21	5	2
40-9190	25	7	11	57-731	25	7	23	57-3646	21	5	12
				57-732	25	7	22	57-3647	23	6	45
41-6073	39	14	44	57-912	25	7	30	57-3650	25	7	8
41-6076	39	14	34	57-912	25	7	38	57-3661	25	7	51
41-6078	39	14	33	57-912	23	6	41	57-3721	27	8	32
				57-913	25	7	57	57-3727	27	8	41
42-4094	29	9	8	57-928	25	7	32	57-3732	27	8	40
42-4364	31	10	32	57-1250	25	7	26	57-3733	23	6	11
42-5099	29	9	39	57-1272	27	8	28	57-3756	21	5	25



CLASSIC
BIKE SPARES

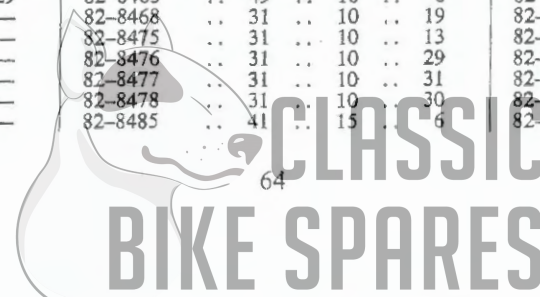
NUMERICAL INDEX—continued

NUMBER	PAGE	PLATE	CODE	NUMBER	PAGE	PLATE	CODE	NUMBER	PAGE	PLATE	CODE
57-3757	27	8	16	68-7061	31	10	11	70-6596	19	4	19
57-3758	27	8	10	68-8166	33	11	36	70-6727	17	3	93
57-3759	27	8	12	68-8717	45	16	51	70-6742	19	4	14
57-3785	25	7	47	68-9115	29	9	40	70-6743	9	1	32
57-3857	25	7	45	68-9223	47	17	2	70-6744	9	1	36
57-3858	25	7	44	68-9226	47	17	3	70-6836	13	2	30
57-3860	25	7	34	68-9351	55	20	65	70-6838	5	—	—
57-3861	25	7	43					70-6838	13	2	32
57-3862	25	7	33	70-402	19	4	40	70-6838	13	2	33
57-3864	25	7	36	70-1523	17	3	90	70-6840	13	2	28
57-3871	6	—	—	70-1532	13	2	5	70-6848	51	19	30
57-3871	21	—	—	70-1532	19	4	33	70-6881	19	4	48
57-3940	21	5	14	70-1558	17	3	78	70-6885	19	4	47
57-3941	21	5	13	70-1591	13	2	24	70-6889	19	4	35
57-3954	25	6	2	70-1670	19	4	16	70-6890	19	4	49
57-3955	25	6	3	70-3974	17	3	65	70-6955	13	2	40
57-3958	23	6	39	70-4705	19	4	6	70-7246	19	4	46
57-3978	25	7	50	70-4746	13	2	38	70-7248	19	4	2
57-3983	23	6	36	70-4752	13	2	1	70-7249	19	4	44
57-3986	23	6	35	70-4752	13	2	39	70-7250	19	4	45
57-3987	23	6	34	70-5977	23	6	30	70-7351	45	16	34
57-4004	21	5	1	70-5998	13	2	27	70-7423	13	2	17
				70-6018	11	1	48	70-7590	19	4	17
60-311	59	22	1	70-6023	13	2	18	70-7591	19	4	21
60-702	51	19	17	70-6025	13	2	25	70-7633	57	21	52
60-702	51	19	33	70-6026	13	2	20	70-7650	17	3	76
60-702	11	1	46	70-6030	17	3	94	70-7651	11	1	60
60-706	49	18	24	70-6038	19	4	24	70-7733	17	3	101
60-707	57	21	48	70-6039	19	4	26	70-7735	15	3	22
60-767	59	22	11	70-6061	23	6	31	70-7737	17	3	97
60-853	47	17	8	70-6088	17	3	75	70-7738	17	3	69
60-854	47	17	8	70-6130	17	3	57	70-7869	6	—	—
60-1907	59	22	10	70-6131	17	3	56	70-7869	17	—	—
60-1908	59	22	3	70-6173	17	3	61	70-7879	15	3	43
60-1909	59	22	5	70-6299	15	3	15	70-7880	15	3	45
60-1910	59	22	4	70-6353	9	1	24	70-7951	6	—	—
60-1911	59	22	9	70-6420	11	1	65	70-7983	11	1	71
60-1912	59	—	—	70-6422	11	1	66	70-7990	9	1	28
60-1928	25	7	13	70-6423	11	1	44	70-8720	11	1	55
60-1946	43	16	1	70-6430	19	4	25	70-8731	19	4	29
60-1959	57	21	31	70-6454	19	4	27	70-8732	19	4	37
60-1960	57	21	30	70-6455	19	4	34	70-8738	15	3	5
60-1968	43	16	7	70-6459	19	4	36	70-8739	15	3	20
60-1978	43	16	5	70-6496	13	2	9	70-8740	15	3	19
60-1984	57	21	35	70-6501	17	3	83	70-8741	15	3	18
60-1987	57	21	29	70-6502	19	4	23	70-8742	15	3	16
60-2020	59	22	6	70-6503	19	4	22	70-8744	15	3	12
60-2060	43	16	4	70-6506	13	2	2	70-8745	13	2	22
60-2061	43	16	4	70-6508	13	2	37	70-8746	13	2	14
60-2062	43	16	4	70-6509	13	2	34	70-8748	13	2	14
60-2071	43	16	14	70-6516	15	3	27	70-8750	19	4	12
60-2072	43	16	15	70-6519	15	3	38	70-8751	15	3	4
60-2073	43	16	17	70-6521	15	3	33	70-8752	19	4	18
60-2074	45	16	50	70-6522	15	3	54	70-8754	19	4	20
60-2076	43	16	9	70-6523	17	3	77	70-8755	17	3	89
60-2084	59	22	2	70-6524	17	3	64	70-8756	15	3	29
60-2202	43	16	18	70-6525	19	4	28	70-8760	17	3	72
60-2683	37	13	29	70-6529	6	—	—	70-8763	15	3	48
60-2683	31	10	34	70-6529	13	2	6	70-8764	15	3	10
				70-6559	15	3	32	70-8765	15	3	11
65-4742	31	10	39	70-6560	13	2	36	70-8768	17	3	74
65-8317	29	9	49	70-6561	9	1	3	70-8770	31	10	5
				70-6562	9	1	9	70-8770	15	3	8
68-209	17	3	67	70-6563	9	1	1	70-8770	53	20	13
68-331	27	8	31	70-6564	9	1	13	70-8773	9	1	21
68-331	15	3	34	70-6565	9	1	4	70-8774	15	3	9
68-610	51	19	27	70-6565	9	1	12	70-8774	15	3	23
68-3168	25	7	55	70-6567	19	4	13	70-8776	15	3	26
68-3218	21	5	19	70-6570	19	4	32	70-8778	6	—	—
68-3264	23	6	10	70-6571	17	3	58	70-8778	13	2	23
68-3282	21	5	5	70-6572	15	3	37	70-8779	17	3	84
68-4577	49	18	12	70-6573	17	3	99	70-8780	13	2	21
68-4597	49	18	14	70-6574	17	3	100	70-8781	6	—	—
68-4708	31	10	43	70-6577	13	2	19	70-8781	11	1	39
68-4835	29	9	45	70-6580	17	3	82	70-8782	23	6	16
68-5050	33	11	5	70-6582	17	3	56	70-8782	9	1	22
68-6829	41	15	14	70-6584	19	4	15	70-8783	11	1	59
68-6830	41	15	18	70-6595	19	4	17	70-8784	11	1	72



NUMERICAL INDEX—continued

NUMBER	PAGE	PLATE	CODE	NUMBER	PAGE	PLATE	CODE	NUMBER	PAGE	PLATE	CODE
70-8785	19	4	50	70-9767	5	—	—	82-8490	41	15	1
70-8786	19	4	5	70-9768	5	—	—	82-8495	49	18	1
70-8787	11	1	62	70-9779	9	1	19	82-8498	41	15	5
70-8788	11	1	63	70-9779	11	1	53	82-8508	29	9	14
70-8789	11	1	64	70-9780	9	1	20	82-8509	29	9	57
70-8817	13	2	4	70-9780	11	1	54	82-8510	29	9	17
70-8819	9	1	10	70-9781	11	1	56	82-8513	29	9	37
70-8820	9	1	8	70-9782	9	1	11	82-8518	41	15	37
70-8860	9	1	33	70-9802	17	3	79	82-8519	47	17	16
70-8904	51	19	31	70-9807	17	3	73	82-8520	41	15	48
70-8905	11	1	47	70-9820	57	21	42	82-8528	41	15	23
70-8906	51	19	16	70-9821	57	21	39	82-8549	49	18	35
70-8907	51	19	32	70-9843	13	2	26	82-8582	31	10	46
70-8914	13	2	7	70-9856	17	3	88	82-8583	47	17	25
70-8917	13	2	35	70-9880	57	21	41	82-8584	47	17	25
70-8981	11	1	67	70-9972	13	2	3	82-8588	45	16	38
70-9001	6	—	—	71-3	19	4	31	82-8589	45	16	38
70-9001	19	—	—	71-6	15	3	44	82-8590	45	16	37
70-9015	5	—	—	71-7	15	3	42	82-8591	45	16	37
70-9016	5	—	—	71-37	27	8	1	82-8609	45	16	49
70-9017	5	—	—	71-245	57	21	50	82-8610	45	16	32
70-9018	5	—	—	71-280	9	1	6	82-8611	45	16	32
70-9023	13	2	27	75-53	27	8	30	82-8625	51	19	36
70-9024	13	2	27	75-124	11	1	61	82-8628	51	19	5
70-9025	13	2	27	75-176	25	7	18	82-8629	51	19	5
70-9026	13	2	27	75-223	15	3	49	82-8657	51	19	2
70-9027	13	2	18	75-2719	47	17	18	82-8657	51	19	12
70-9028	13	2	18	75-3143	27	8	33	82-8660	31	10	40
70-9029	13	2	18	75-4909	43	16	3	82-8667	51	19	4
70-9030	13	2	18	75-5088	35	12	16	82-8667	47	17	23
70-9036	47	17	15	75-5091	35	12	18	82-8743	49	18	25
70-9037	47	17	15	75-5095	35	12	22	82-8744	47	17	5
70-9060	57	21	47	75-5096	35	12	8	82-8849	47	17	11
70-9073	57	21	37	75-5099	35	12	13	82-8850	47	17	4
70-9073	57	21	46	75-5104	35	12	10	82-8918	29	9	36
70-9237	9	1	16	75-5105	35	12	17	82-8919	39	14	50
70-9239	9	1	15	75-5199	35	12	15	82-8942	47	17	6
70-9240	9	1	7	75-6594	39	14	35	82-8946	45	16	48
70-9242	57	21	45	75-9076	59	22	7	82-8947	45	16	47
70-9243	57	21	33	75-9089	59	22	8	82-8969	49	18	20
70-9243	57	21	43	76-12	47	17	28	82-9008	49	18	10
70-9251	57	21	49	76-217	25	7	5	82-9315	51	19	15
70-9252	57	21	39	76-217	19	4	10	82-9322	51	19	11
70-9253	57	21	34	76-217	25	7	20	82-9327	41	15	13
70-9254	57	21	38	76-217	23	6	40	82-9378	29	9	3
70-9255	57	21	51	76-217	17	3	70	82-9379	29	9	9
70-9256	23	6	37	76-217	17	3	70	82-9435	51	19	35
70-9258	23	6	32	76-291	15	3	36	82-9436	45	16	36
70-9258	23	6	26	76-4120	45	16	44	82-9530	51	19	29
70-9266	15	3	41	82-1335	33	11	3	82-9531	51	19	29
70-9267	57	21	41	82-1747	39	14	21	82-9562	49	18	17
70-9271	9	1	25	82-2351	37	13	14	82-9624	29	9	22
70-9274	11	1	45	82-4047	35	12	3	82-9625	29	9	13
70-9278	57	21	36	82-4971	45	16	35	82-9637	31	10	9
70-9327	25	7	59	82-4972	45	16	35	82-9641	29	9	35
70-9460	9	1	31	82-5943	29	9	25	82-9642	29	9	18
70-9461	9	1	31	82-6874	51	19	34	82-9652	29	9	28
70-9465	13	2	8	82-6981	53	20	17	82-9653	29	9	41
70-9510	11	1	41	82-7365	39	14	3	82-9654	49	18	31
70-9534	57	21	45	82-7387	31	10	15	82-9664	51	19	22
70-9558	11	1	49	82-7431	49	18	23	82-9665	31	10	10
70-9586	57	21	9	82-7835	49	18	26	82-9667	31	10	12
70-9601	19	4	38	82-8140	41	15	25	82-9675	49	18	18
70-9626	9	1	35	82-8195	41	15	22	82-9682	49	18	27
70-9634	19	4	1	82-8245	33	11	20	82-9684	29	9	47
70-9706	15	3	21	82-8327	45	16	42	82-9686	29	9	21
70-9727	13	2	11	82-8391	45	16	40	82-9687	51	19	1
70-9739	5	—	—	82-8413	31	10	37	82-9692	55	20	62
70-9739	13	2	31	82-8452	51	19	28	82-9773	6	—	—
70-9740	13	2	10	82-8459	51	19	23	82-9773	29	9	4
70-9741	5	—	—	82-8463	49	18	8	82-9845	49	18	19
70-9741	13	2	29	82-8468	31	10	19	82-9918	51	—	—
70-9761	5	—	—	82-8475	31	10	13	82-9919	45	16	27
70-9762	5	—	—	82-8476	31	10	29	82-9920	45	16	41
70-9763	5	—	—	82-8477	31	10	31	82-9963	6	—	—
70-9764	5	—	—	82-8478	31	10	30	82-9963	31	10	16
70-9765	5	—	—	82-8485	41	15	6	82-9964	47	17	10
70-9766	5	—	—					82-9997	39	14	49



64
**CLASSIC
 BIKE SPARES**

NUMERICAL INDEX—continued

NUMBER	PAGE	PLATE	CODE	NUMBER	PAGE	PLATE	CODE	NUMBER	PAGE	PLATE	CODE
83-2	45	16	33	97-3648	43	16	2	38189	53	20	20
83-1384	49	18	34	97-3682	33	11	21	38191	53	20	19
83-1386	51	19	37	97-3795	41	15	51	45221	53	20	38
83-1387	51	19	26	97-3856	33	11	41	47209	15	3	53
83-1430	47	17	2	97-3865	33	11	41	49072	53	20	40
83-1456	47	17	12	97-3878	35	12	12	49345	55	20	64
83-1535	31	10	48					53973	55	20	45
				364/011	43	16	19	59892	53	20	1
89-3208	27	8	17	364/013	43	16	21	59894	53	20	1
				364/014	45	16	28	110714	55	20	52
90-262	15	3	13	364/017	45	16	29	112201	53	20	29
				364/020	43	16	23	137498	53	20	28
97-95	33	11	42					144921	53	20	9
97-111	29	9	5	376/093	57	21	12	144921	55	20	46
97-435	33	11	40	376/100	57	21	19	188218	53	20	33
97-439	33	11	25					188330	55	20	51
97-519	35	12	25	622/050	57	21	16	199001	55	20	57
97-565	33	11	38	622/060	57	21	8	380459	55	20	72
97-1018	33	11	9	622/062	57	21	7	504665	53	20	3
97-1527	33	11	31	622/065	57	21	6	516798	53	20	4
97-1529	33	11	30	622/067	57	21	28	534296	53	20	10
97-1580	33	11	33	622/068	57	21	11	553248	53	20	2
97-1581	33	11	34	622/069	57	21	17	553738	53	—	—
97-1618	33	11	39	622/071	57	21	10	553780	53	—	—
97-1657	35	12	4	622/073	57	21	18	555910	53	20	7
97-1892	35	12	6	622/076	57	21	23	556442	53	—	—
97-1932	53	20	5	622/078	57	21	14	573828	55	—	—
97-1971	35	12	1	622/080	57	21	21	842189	53	20	37
97-1994	55	20	70	622/082	57	21	24	54027029	55	—	—
97-2090	35	12	28	622/086	57	21	4	54190108	53	20	39
97-2091	35	12	9	622/088	57	21	15	54190387	53	20	33
97-2092	35	12	12	622/097	57	21	5	54218902	15	3	52
97-2107	33	11	17	622/101	57	21	26	54415642	15	3	30
97-2108	33	11	1	622/107	57	—	—	54418526	55	20	55
97-2126	35	12	21	622/113	57	21	30	54418528	55	20	53
97-2127	35	12	7	622/115	57	21	31	54419327	17	3	68
97-2154	35	12	11	622/116	57	21	29	54419828	15	3	28
97-2221	33	11	32	622/119	57	21	35	54419867	15	3	31
97-2236	33	11	12	622/122	57	21	21	54420128	55	20	54
97-2237	33	11	11	622/124	57	21	27	54522680	53	20	4
97-2245	33	11	29	622/125	57	21	3	54524048	53	20	11
97-2259	55	20	66	622/126	57	21	32	54524099	53	20	8
97-2266	33	11	6	622/133	57	21	22	54571677	55	20	56
97-2270	41	15	45					54573590	53	20	30
97-2273	47	17	1	L.626/15	5	—	—	54577109	55	20	47
97-2275	33	11	10	L.626/15	57	21	25	54578212	55	20	50
97-2290	33	11	22	R.626/14	5	—	—	54578213	55	20	49
97-2291	33	11	35	R.626/14	57	21	25	54953444	55	20	81
97-2293	33	11	28	R.626/16	5	—	—	54953446	53	20	23
97-2294	35	12	19	R.626/16	57	21	25	54955800	53	20	32
97-2295	35	12	27					54956435	53	20	38
97-2297	53	20	22								
97-2300	35	12	2	380	55	20	48	1/6280	53	20	17
97-2301	35	12	2	410	53	20	6	5300/1/07	55	20	64
97-2621	33	11	24	446	53	20	6				
97-2622	33	11	23	989	53	20	31	DF.9111/00	53	20	25
97-2672	6	—	—								
97-2672	35	—	—	31563	55	20	71	RSM.3003/01	53	20	14
97-2704	27	8	26	31788	55	20	63				
97-2704	33	11	26	31899	53	20	21	SSM.5001/12	53	20	15
97-2704	23	6	43	32000	53	20	38	SSM.5001/05	53	20	15
97-3601	33	11	43	33188	55	20	80				
97-3602	33	11	37	34815	55	20	61	41-148-203-10	53	20	18
97-3632	53	20	12	35835	55	20	67				
97-3633	35	12	14	36421	53	20	16				

