



20-10176C

Replacement parts list 1971

250 cm³ models

Publication
Ref. 00-5720



**CLASSIC
BIKE SPARES**



MODEL ABBREVIATIONS:

- T = TRAIL
- SS = STREET SCRAMBLER
- H = STREET SCRAMBLER (Home and general export)

SUFFIX NUMBERS TO BE USED TO IDENTIFY VARYING FINISHES

When ordering components with varying finishes, please state finish required by adding the appropriate number to part number. Example :- Front mudguard 07-4052/293

PETROL TANK:

Polished alloy sides, black centre stripe, black side stripe, red lining	/285
Flamboyant blue	/227
Flamboyant red, black centre stripe, black side stripe, red lining	/294

MUDGUARDS:

Flamboyant red, black centre stripe	/293
Flamboyant blue, white centre stripe	/286

SIDECOVERS:

Flamboyant red	/170
Flamboyant blue	/227

OTHER PARTS:

Chrome	/003
Black	/007
Silver	/165
Grey	/288

PRICES:

No price codes are quoted in this list. For prices please refer to the latest edition of the Master Price List No. 00-5125.

Where necessary details of thread form and size are quoted after description of nuts, bolts, screws, studs and washers. Such as: 14-7006 Socket screw (1/4" UN.C x 1") = 1/4" diameter unified coarse thread 1" long under head.

Vital components, which are manufactured from special material, are indicated by a sign and the British Standard symbol for the material is quoted at the foot of the page.

ABBREVIATIONS:

- B.A. = British Association screw threads.
- B.S.C. = British Standard Cycle screw threads.
- B.S.F. = British Standard Fine screw threads.
- W.F. = Whitworth Form screw threads.
- UN.F. = Unified Fine screw threads.
- UN.C = Unified Coarse screw threads.
- U.N.S = Unified Special screw threads.



CARBURETTORS

AMAL LIMITED, HOLDFORD ROAD, WITTON, BIRMINGHAM 6.

CHAINS

RENOLDS LIMITED, WYTHENSHAW, MANCHESTER.

ELECTRICAL EQUIPMENT

J. LUCAS LIMITED, GREAT HAMPTON STREET, BIRMINGHAM 18.

SPEEDOMETERS

SMITH'S MOTOR ACCESSORIES LIMITED, CRICKLEWOOD WORKS, LONDON N.W.2.

TYRES

DUNLOP COMPANY LIMITED, FORT DUNLOP, BIRMINGHAM 24.

SPARKING PLUGS

CHAMPION SPARKING PLUG COMPANY LIMITED, FELTHAM, MIDDLESEX.

SHOCK ABSORBERS

GIRLING LIMITED, BIRMINGHAM ROAD, WEST BROMWICH.

BRAKES (LOCKHEED)

AUTOMOTIVE PRODUCTS CO. LIMITED, P.O. BOX 14, SOUTHAM ROAD, BANBURY, OXFORDSHIRE.

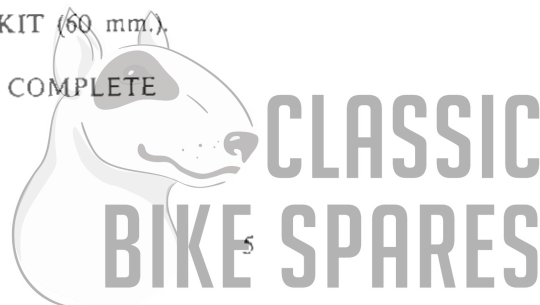
OIL FILTERS

BRITISH FILTERS LIMITED, COX GREEN, MAIDENHEAD, BERKSHIRE.



ASSEMBLIES COMPLETE

<i>Spares No.</i>	<i>Description</i>
00-7009	LOCTITE PLASTIC GASKET (10 bottle trade pack).
00-3168	TOP OVERHAUL GASKET SET.
00-3310	FULL OVERHAUL GASKET SET.
71-1861	ENGINE UNIT, LESS CARBURETTER AND EXHAUST SYSTEM (Trail).
71-2235	ENGINE UNIT, LESS CARBURETTER AND EXHAUST SYSTEM (Road, Street Scrambler).
71-1869	CRANKCASE COMPLETE WITH FIXED FITTINGS.
71-2227	OIL PUMP COMPLETE.
71-2284	CRANKSHAFT AND FLYWHEEL ASSEMBLY.
57-4197	CLUTCH ASSEMBLY COMPLETE.
83-2985	FRAME COMPLETE (Trail, Street Scrambler).
97-4113	FRONT FORK COMPLETE.
37-3791	FRONT WHEEL LESS BRAKE DETAILS (Trail) 6".
37-3889	FRONT WHEEL LESS BRAKE DETAILS (Street Scrambler) 6"
37-3792	FRONT WHEEL WITH BRAKE DETAILS (Trail) 6".
37-3890	FRONT WHEEL WITH BRAKE DETAILS (Street Scrambler) 6".
37-3793	FRONT HUB WITH SPINDLE AND BEARINGS (Trail) 6".
37-3735	FRONT WHEEL LESS BRAKE DETAILS (Street Scrambler) 8".
37-3848	FRONT HUB WITH SPINDLE AND BEARINGS (Street Scrambler) 8".
37-3780	REAR WHEEL COMPLETE (Trail).
37-3781	REAR WHEEL COMPLETE (Street Scrambler).
37-3907	REAR HUB WITH SPINDLE AND BEARINGS.
00-5221	TACHOMETER KIT (80 mm.).
00-5220	TACHOMETER KIT (60 mm.).
19-2419	CARBURETTER COMPLETE



PISTON CHART

PISTON COMPLETE			
Compression Ratio	Standard	+ ½ mm.	+1 mm.
9·5 to 1	71-1801	71-1802	71-1803
	COMPRESSION RINGS		
	Top (taper) 70-6838	Top (taper) 70-9017	Top (taper) 70-9018
	Centre (taper) 70-6838	Centre (taper) 70-9017	Centre (taper) 70-9018
	SCRAPER RINGS		
	70-6839	70-9021	70-9022

CARBURETTER

Spares Number	Makers Number	Main Jet	Throttle Slide	Needle Jet	Needle Position
19-2432	R.928/20	190	3½	106	1

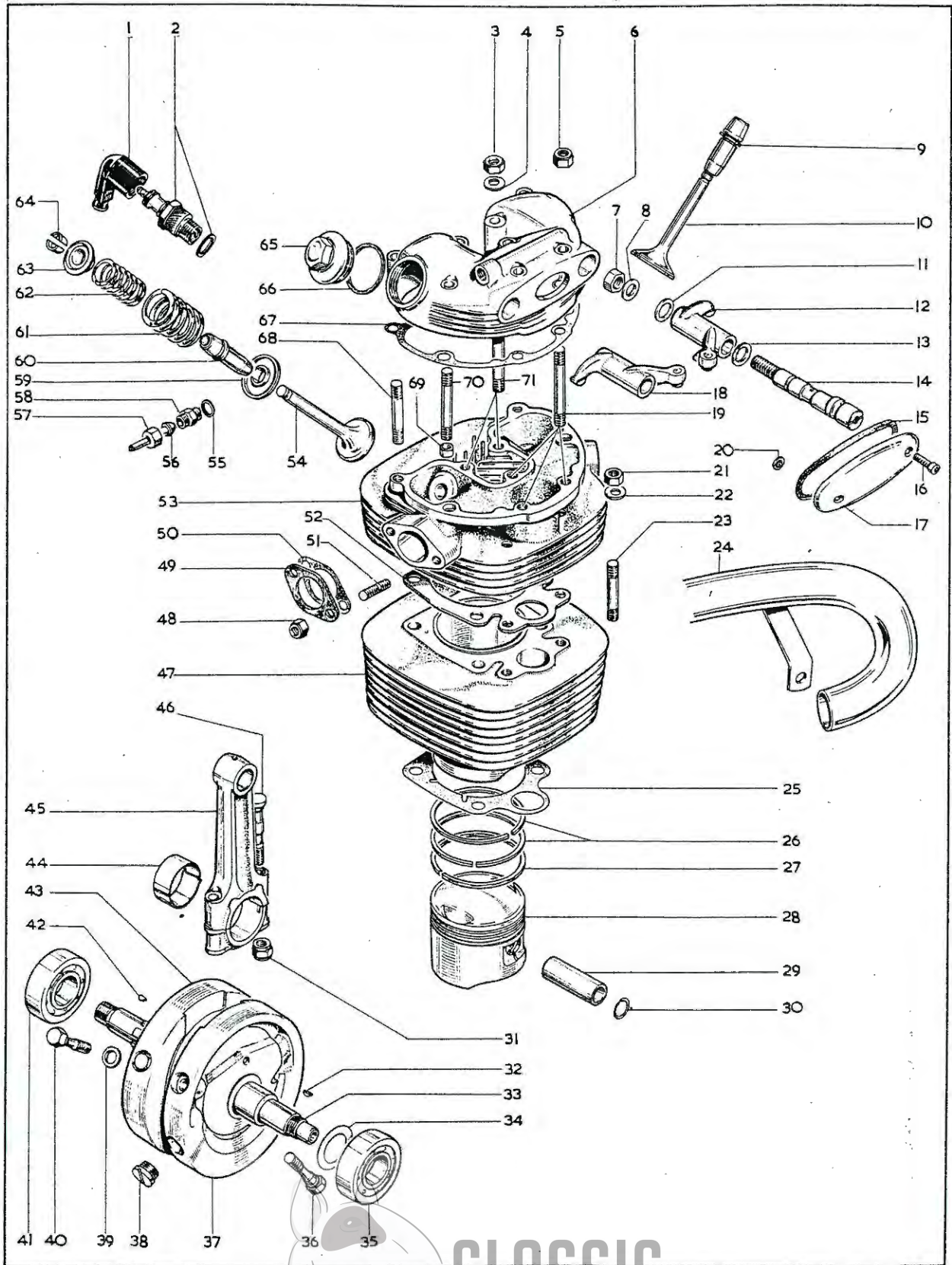


INDEX

		<i>Page</i>
	ASSEMBLIES COMPLETE	5
Plate 1	CYLINDER AND CRANKSHAFT	8 - 11
Plate 2	CRANKCASE	12 - 17
Plate 3	GEAR CLUSTER	18 - 23
Plate 4	CLUTCH	24 - 25
Plate 5	FRAME, BATTERY CARRIER, TOOL TRAY, ENGINE SHIELD	26 - 27
Plate 6	SWINGING ARM, REAR SUSPENSION, CHAINGUARD	28 - 29
Plate 7	REAR BRAKE CONTROL, FOOTREST AND SILENCER	30 - 31
Plate 8	AIR CLEANER, SIDECOVERS, OIL PIPES	32 - 33
Plate 9	FRONT FORK	34 - 37
Plate 10	FRONT WHEEL	38 - 39
Plate 11	FRONT WHEEL AND BRAKE	40 - 41
Plate 12	REAR WHEEL AND CHAINGUIDE	42 - 43
Plate 13	MUDGUARDS, HANDRAIL	44 - 45
Plate 14	PETROL TANK, TWINSEAT AND CONTROLS	46 - 49
Plate 15	ELECTRICAL EQUIPMENT	50 - 55
Plate 16	TOOLS	56 - 57
Plate 17	CARBURETTER	58 - 59



Plate 1



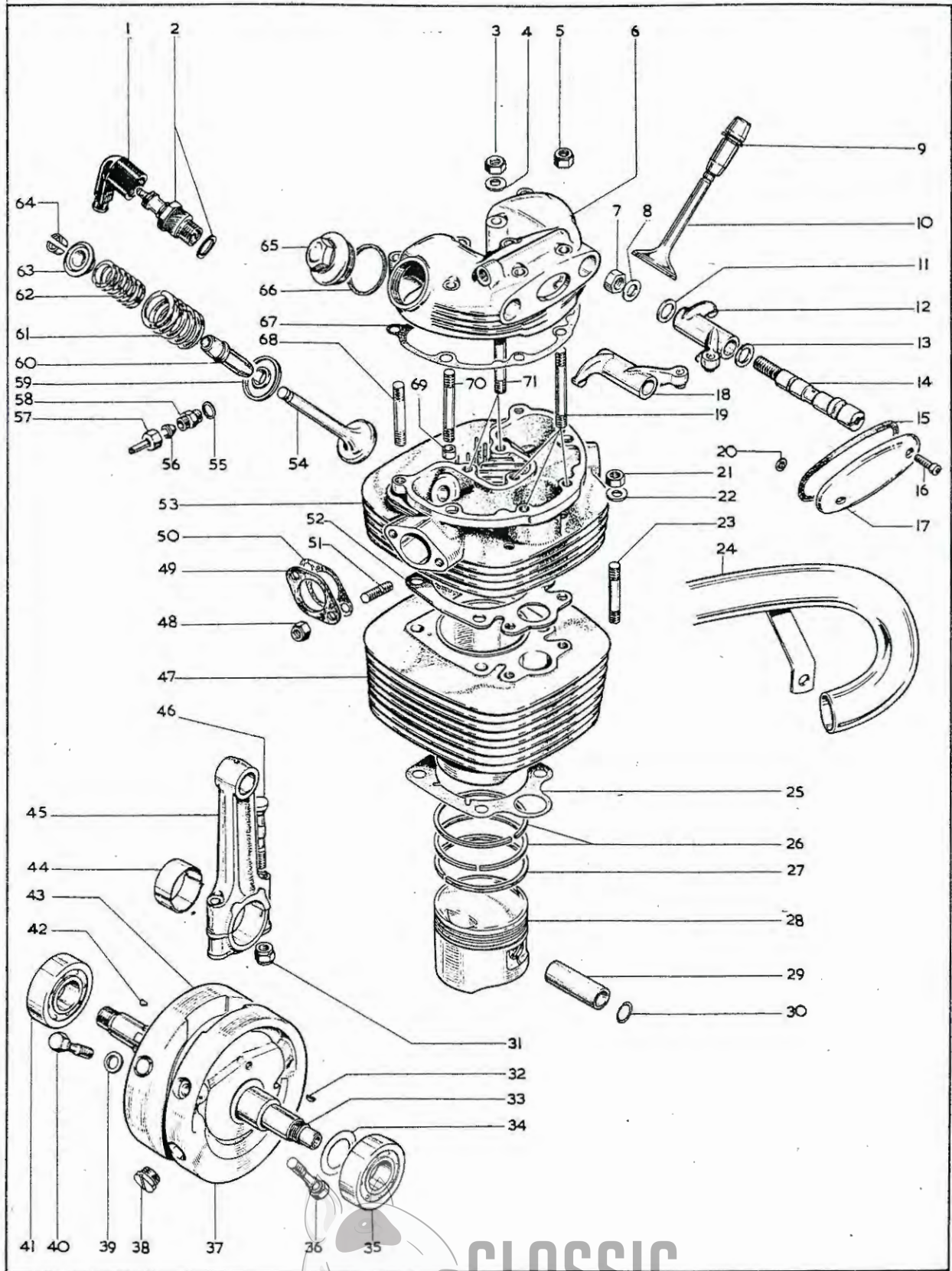
CLASSIC
BIKE & SPARES

Plate 1

CYLINDER AND CRANKSHAFT

Model	Plate Ref.	Spares Number	Description	Per Set
T.SS.H.	1.	19-7625	Spark plug cover
T.SS.H.	2.	19-7606	Spark plug (Champion N3)
T.SS.H.	3.	14-0302	Nut—rocker box to head ($\frac{5}{16}$ " U.N.F.)	2
T.SS.H.	4.	60-2330	Washer—rocker box to head ($\frac{5}{16}$ " \times $\frac{5}{8}$ " \times $\frac{1}{8}$ ")	9
T.SS.H.	5.	14-1302	Nut—rocker box to head ($\frac{5}{16}$ " U.N.F.)	7
T.SS.H.	6.	71-2196	Rocker box
T.SS.H.	7.	14-0403	Nut—rocker spindle ($\frac{3}{8}$ " U.N.F.)	2
T.SS.H.	8.	02-2138	Washer—rocker spindle nut ($\frac{3}{4}$ " \times $\frac{3}{4}$ " \times $\frac{1}{8}$ ")	2
T.SS.H.	9.	71-2226	Exhaust valve guide
T.SS.H.	10.	70-7777	Exhaust valve
T.SS.H.	11.	40-0157	Thrust washer—rocker spindle ($\frac{3}{8}$ " I/D)	2
T.SS.H.	12.	70-7791	Exhaust rocker
T.SS.H.	13.	40-0158	Thrust washer—rocker spindle ($\frac{1}{2}$ " I/D)	2
T.SS.H.	14.	70-7787	Rocker spindle	2
T.SS.H.	15.	71-1425	Gasket—inspection cover
T.SS.H.	16.	40-0965	Screw—inspection cover ($\frac{3}{8}$ " B.S.C. \times $1\frac{1}{16}$ ")	2
T.SS.H.	17.	40-0966	Inspection cover—rocker box
T.SS.H.	18.	70-7790	Inlet rocker
T.SS.H.	19.	14-1629	Stud—cylinder head ($\frac{5}{16}$ " U.N.C./U.N.F. \times $3\frac{1}{2}$ ")	3
T.SS.H.	20.	68-5197	Sealing washer—rocker box
T.SS.H.	21.	24-5160	Nut—cylinder head ($\frac{5}{16}$ " B.S.C.)	2
T.SS.H.	22.	76-0012	Washer—cylinder head nut ($2\frac{1}{64}$ " \times $\frac{9}{16}$ " \times $\frac{3}{32}$ ")	2
T.SS.H.	23.	40-0020	Stud—cylinder head ($\frac{5}{16}$ " B.S.C./B.S.F.)	2
T.SS.H.	24.	71-2176	Exhaust pipe
T.SS.H.	25.	71-2233	Cylinder base gasket
T.SS.H.	26.	70-6838†	Piston ring (taper)	2
T.SS.H.	27.	70-6839†	Piston ring (scraper)
T.SS.H.	28.	71-1801†	Piston complete
T.SS.H.	29.	70-6861	Gudgeon pin
T.SS.H.	30.	70-6869	Circlip—gudgeon pin	2
T.SS.H.	31.	24-2016	Nut—connecting rod bolt ($\frac{5}{16}$ " U.N.F.)	2
T.SS.H.	32.	41-0560	Key—crankshaft pinion
T.SS.H.	33.	71-2284	Crankshaft and flywheel assembly
T.SS.H.	34.	40-0064	Shim—crankshaft (.003") .0762 mm. as reqd.
T.SS.H.	34.	40-0065	Shim—crankshaft (.005") .127 mm. as reqd.
T.SS.H.	34.	40-0066	Shim—crankshaft (.010") .254 mm. as reqd.
T.SS.H.	34.	40-0069	Shim—crankshaft (.015") .381 mm. as reqd.
T.SS.H.	35.	24-0732	Bearing—crankshaft right side (Hoffmann 325)
T.SS.H.	36.	40-1031*	Bolt—flywheel ($\frac{3}{8}$ " U.N.F. \times 2")	4



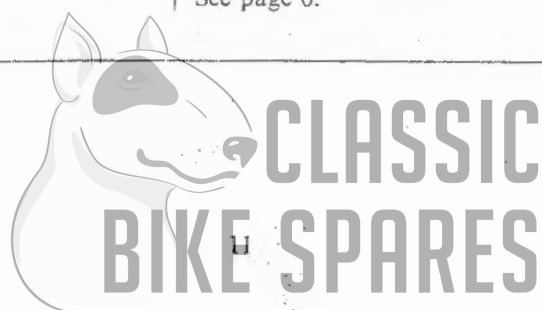


CYLINDER AND CRANKSHAFT

Model	Plate Ref.	Spares Number	Description	Per Set
T.SS.H.	37.	71-2288	Flywheel—right side	
T.SS.H.	38.	40-0892	Screwed plug—right side flywheel	
T.SS.H.	39.	71-1003	Washer—flywheel bolt	8
T.SS.H.	40.	40-1030*	Bolt—flywheel ($\frac{3}{8}$ " U.N.F. \times $1\frac{1}{8}$ ")	4
T.SS.H.	41.	24-0724	Bearing—crankshaft left side (Hoffmann R325L)	
T.SS.H.	42.	41-0673	Key—alternator rotor	
T.SS.H.	43.	71-2287	Flywheel—left side	
T.SS.H.	44.	40-0907	Big-end shell (standard)	2
T.SS.H.	44.	40-0917	Big-end shell (-.010")	2
T.SS.H.	44.	40-0918	Big-end shell (-.020")	2
T.SS.H.	44.	40-0919	Big-end shell (-.020")	2
T.SS.H.	45.	70-9911	Connecting rod complete	
T.SS.H.	46.	70-9914*	Bolt—connecting rod ($\frac{5}{16}$ " U.N.F. \times $2-21/64$ ")	2
T.SS.H.	47.	70-9263	Cylinder barrel complete	
T.SS.H.	48.	14-1302	Nut—carburetter stud ($\frac{5}{16}$ " U.N.F.)	2
T.SS.H.	49.	70-7820	"Tufnol" spacer—carburetter flange	
T.SS.H.	50.	71-1416	Paper gasket—carburetter flange	
T.SS.H.	51.	14-1620*	Stud—carburetter mounting ($\frac{5}{16}$ " U.N.C./U.N.F. \times $1\frac{3}{8}$ ")	2
T.SS.H.	52.	40-0933	Cylinder head gasket	
T.SS.H.	53.	71-2238	Cylinder head with fixed fittings	
T.SS.H.	54.	68-0661	Inlet valve	
T.SS.H.	55.	76-0378	Fibre washer—oil pipe union	
T.SS.H.	56.	40-0993	Oil pipe—feed to rocker box	
T.SS.H.	57.	29-2089	Nut—oil pipe union	
T.SS.H.	58.	76-0308	Oil pipe union—rocker box	
T.SS.H.	59.	71-2366	Bottom cup—valve spring	2
T.SS.H.	60.	71-2231	Inlet valve guide	
T.SS.H.	61.	71-2223	Outer valve spring	2
T.SS.H.	62.	40-1007	Inner valve spring	2
T.SS.H.	63.	71-1165	Top collar—valve spring	2
T.SS.H.	64.	71-1166	Split collet—valve spring	4
T.SS.H.	65.	40-0968	Inspection cap—rocker box	2
T.SS.H.	66.	70-0969	Fibre washer—inspection cap	2
T.SS.H.	67.	71-2198	Gasket—rocker box	
T.SS.H.	68.	14-1628*	Stud—cylinder head ($\frac{5}{16}$ " U.N.C./U.N.F. \times $3\frac{1}{4}$ ")	2
T.SS.H.	69.	71-1989	Dowel—cylinder head	2
T.SS.H.	70.	14-1627*	Stud—cylinder head, dowel position ($\frac{5}{16}$ " U.N.C./U.N.F. \times $3\frac{1}{4}$ ")	2
T.SS.H.	71.	21-2092	Stud—rocker box	2

* Special material: 36.—EN24. 40.—EN24. 46.—BS.111.
51.—EN16R. 68.—EN16R. 70.—EN16R.

† See page 6.



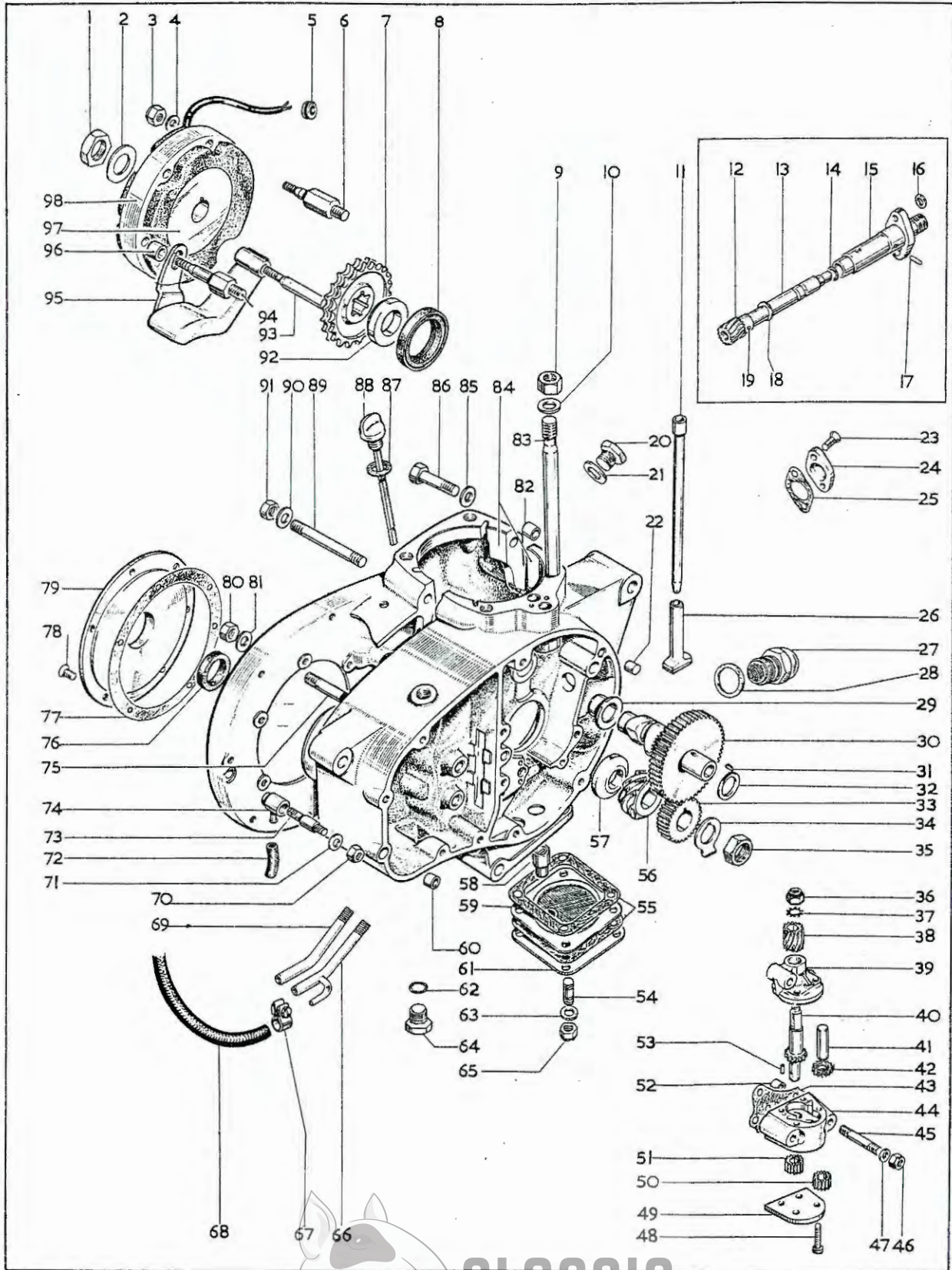


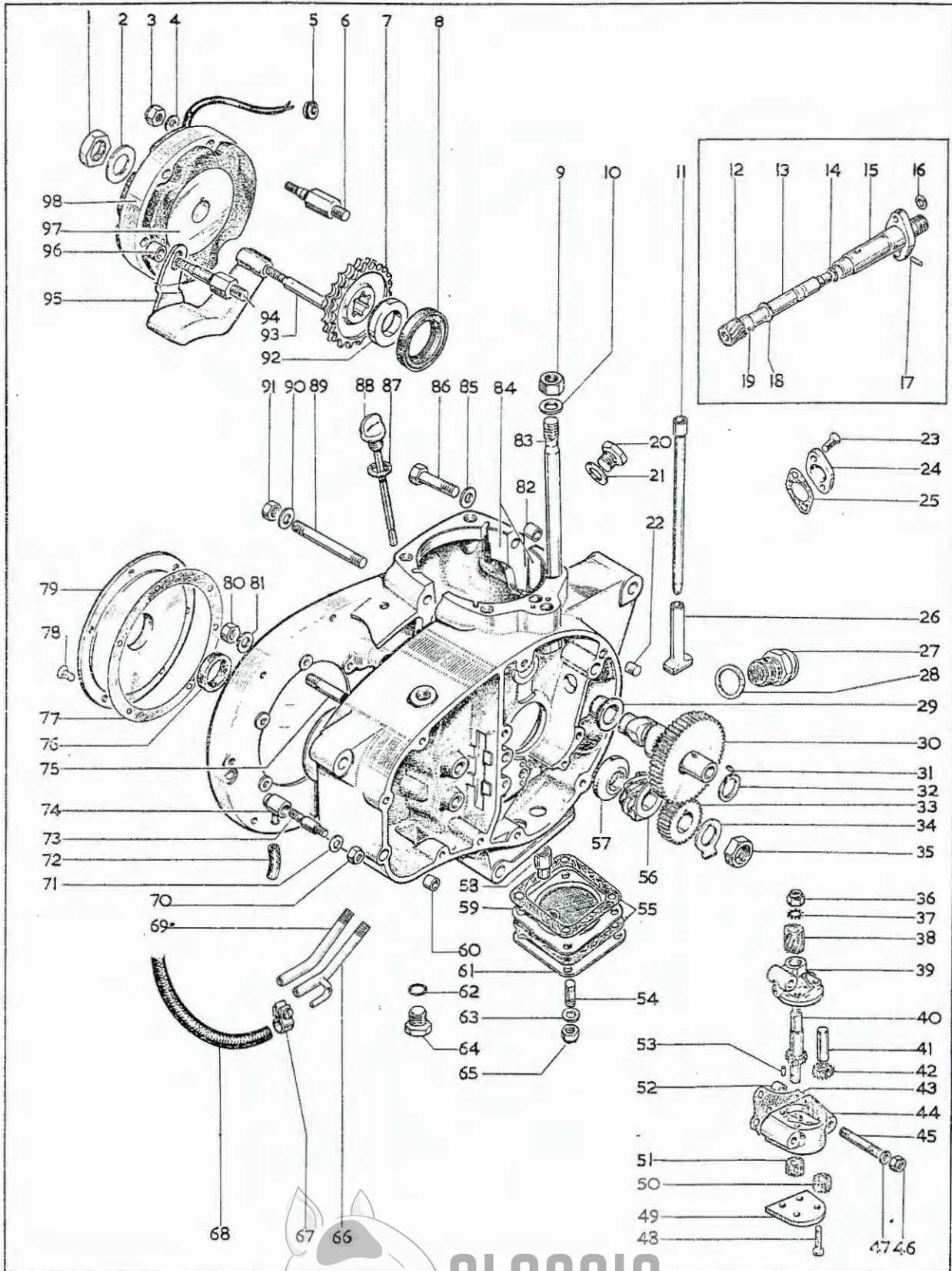
Plate 2

CRANKCASE

Model	Plate Ref.	Spares Number	Description	Per Set
T.S.S.H.	1.	29-2053	Rotor mounting nut	
T.S.S.H.	2.	29-2054	Rotor mounting washer	
T.S.S.H.	3.	14-1901	Stator mounting nut ($\frac{1}{4}$ " U.N.F.)	3
T.S.S.H.	4.	02-0525	Stator mounting washer ($\frac{1}{4}$ " x $\frac{1}{2}$ " x .048")	3
T.S.S.H.	5.	40-0705	Grommet — alternator leads	
T.S.S.H.	6.	21-1895*	Front stud — stator mounting ($\frac{1}{4}$ " U.N.F. x $\frac{1}{16}$ " U.N.C. x 2-19/32")	
T.S.S.H.	7.	40-0210	Engine sprocket (23T)	
T.S.S.H.	8.	40-0025	Oil seal — crankcase left-side	
T.S.S.H.	9.	14-0303	Nut — cylinder to crankcase ($\frac{3}{8}$ " U.N.F.)	4
T.S.S.H.	10.	02-0130	Washer — cylinder to crankcase ($\frac{3}{8}$ " x 11/16" x .080")	4
T.S.S.H.	11.	40-1010	Inlet push rod	
T.S.S.H.	11.	40-1021	Exhaust push rod	
T.S.S.H.	†	70-9428	Tachometer drive assembly complete	
T.S.S.H.	12.	70-9382	Tachometer drive gear	
T.S.S.H.	13.	70-9381	Tachometer drive shaft	
T.S.S.H.	14.	70-9430	Drive shaft "O"-ring	
T.S.S.H.	15.	70-9517	Tachometer drive body	
T.S.S.H.	16.	24-0036	Tachometer cable seal washer	
T.S.S.H.	17.	70-9431	Drive shaft locating pin	
T.S.S.H.	18.	70-9383	Tachometer drive thrust washer	
T.S.S.H.	19.	70-9429	Drive gear retaining pin	
T.S.S.H.	20.	21-1872	Timing hole plug ($\frac{1}{2}$ " x 13 U.N.C. x $\frac{1}{2}$ ")	
T.S.S.H.	21.	70-8896	Washer — timing hole plug	
T.S.S.H.	22.	40-0394	Dowel — inner timing cover to crankcase	2
T.S.S.H.	23.	40-0242*	Screw — tachometer drive and cover (2 B.A. x 27/16")	2
T.S.S.H.	24.	70-9384	Sealing plate	
T.S.S.H.	25.	71-1422	Joint washer	
T.S.S.H.	26.	71-2513	Tappet — inlet and exhaust	2
T.S.S.H.	27.	71-2370	Pressure release valve assembly	
T.S.S.H.	28.	71-2211	Washer — pressure release valve	
T.S.S.H.	29.	70-8315	Camshaft bush	
T.S.S.H.	30.	71-2297	Camshaft complete	
T.S.S.H.	31.	71-1679	Camshaft pinion key	
T.S.S.H.	32.	71-2299	Spacing washer — camshaft	
T.S.S.H.	33.	41-0569	Crankshaft pinion	
T.S.S.H.	34.	40-0455	Lockwasher — crankshaft nut	
T.S.S.H.	35.	37-1798	Nut — crankshaft pinion ($\frac{3}{8}$ " B.S.C.)	
T.S.S.H.	36.	14-1301	Nut — oil pump spindle ($\frac{1}{2}$ " U.N.F.)	
T.S.S.H.	37.	29-0541	Lockwasher — spindle nut	
T.S.S.H.	38.	41-0603	Oil pump spindle gear	
T.S.S.H.	39.	71-2119	Oil pump spindle housing	
T.S.S.H.	40.	71-2229	Oil pump driving spindle	
T.S.S.H.	41.	71-1147	Oil pump driven spindle	
T.S.S.H.	42.	71-2230	Oil pump driven feed gear	
T.S.S.H.	43.	71-2115	Gasket — oil pump to crankcase	
T.S.S.H.	44.†	71-2125	Oil pump body	
T.S.S.H.		71-1819	Shim — engine sprocket 0-010"	
T.S.S.H.		71-1820	Shim — engine sprocket 0-015"	
T.S.S.H.		19-6508	Oil pressure switch (PS 5300/1/07)	

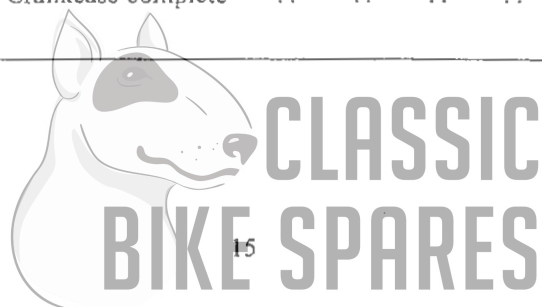
† See Page 5 for tachometer kit complete

‡ See Page 5 for oil pump complete



CRANKCASE

Model	Plate Ref.	Spares Number	Description	Per Set
T.SS.H.	45.	21-1893*	Stud—oil pump to crankcase ($\frac{1}{4}$ " U.N.F./U.N.C. \times 2 $\frac{3}{16}$ ")	2
T.SS.H.	45.	14-1606	Stud—Top, oil pump to crankcase ($\frac{1}{4}$ " U.N.F./U.N.C. \times 1 $\frac{3}{4}$ ")	1
T.SS.H.	46.	14-1901	Nut—oil pump to crankcase ($\frac{1}{4}$ " U.N.F.)	3
T.SS.H.	47.	68-0938	Washer—oil pump stud nut ($\frac{17}{64}$ " \times $\frac{5}{8}$ " \times $\frac{1}{16}$ ")	3
T.SS.H.	48.	41-0609	Screw—oil pump bottom plate ($\frac{1}{16}$ " B.S.C. \times 1 $\frac{5}{16}$ ")	4
T.SS.H.	49.	67-1391	Oil pump bottom plate	
T.SS.H.	50.	71-2124	Oil pump driven scavenge gear	
T.SS.H.	51.	71-2122	Oil pump driving scavenge gear	
T.SS.H.	52.	41-0706	Dowel—oil pump to crankcase	2
T.SS.H.	53.	71-1148	Dowel—oil pump body to housing	2
T.SS.H.	54.	14-1401	Stud—crankcase sump cover ($\frac{1}{4}$ " U.N.F./U.N.C. \times 1")	4
T.SS.H.	55.	71-1424	Gasket—crankcase sump cover	2
T.SS.H.	56.	41-0567	Crankshaft oil pump drive worm gear	
T.SS.H.	57.	71-2291	Oil pump drive distance washer	
T.SS.H.	58.	41-0624	Crankcase scavenge valve assembly	
T.SS.H.	59.	70-9979	Crankcase filter assembly	
T.SS.H.	60.	66-3074	Dowel—inner timing cover to crankcase	2
T.SS.H.	61.	67-1286	Crankcase sump cover	
T.SS.H.	62.	68-3168	"O"-ring—gearbox drain plug	
T.SS.H.	63.	02-0525	Washer—sump cover stud ($\frac{1}{4}$ " \times $\frac{1}{2}$ " \times .048")	4
T.SS.H.	64.	21-1857	Gearbox drain plug	
T.SS.H.	65.	14-1901	Nut—crankcase sump cover ($\frac{1}{4}$ " U.N.F.)	4
T.SS.H.	66.	71-2240	Oil return pipe	
T.SS.H.	67.	62-0263	Clip—rocker feed pipe	
T.SS.H.	68.	40-1037	Rocker feed pipe	
T.SS.H.	69.	71-2243	Oil feed pipe	
T.SS.H.		14-0302	Nut—oil pipes to crankcase	2
T.SS.H.	70.	14-1901	Nut—chain oiler stud ($\frac{1}{4}$ " U.N.F.)	
T.SS.H.	71.	02-0525	Washer—rear chain oiler ($\frac{1}{4}$ " \times $\frac{17}{32}$ " \times 5/64")	
T.SS.H.	72.	40-0375	Oil pipe—rear chain oiler	
T.SS.H.	73.	21-1985	Stud—rear chain oiler ($\frac{1}{4}$ " U.N.C./U.N.F. \times 1 $\frac{1}{8}$ ")	
T.SS.H.	74.	68-0383	Rear chain oiler	
T.SS.H.	75.	21-1890	Stud—crankcase rear ($\frac{3}{8}$ " U.N.C./U.N.F. \times 2-11/16")	2
T.SS.H.	76.	40-0243	Oil seal—primary chaincase	
T.SS.H.	77.	71-1419	Gasket—primary chaincase back	
T.SS.H.	78.	40-0246	Screw—primary chaincase back (2 B.A. \times $\frac{5}{16}$ ")	6
T.SS.H.	79.	70-3789	Cover plate—primary chaincase back	
T.SS.H.	80.	14-0302	Nut—crankcase stud ($\frac{1}{16}$ " U.N.F.)	2
T.SS.H.	81.	02-0923	Washer—crankcase stud nut ($\frac{1}{16}$ " \times $\frac{5}{8}$ " \times $\frac{1}{16}$ ")	2
T.SS.H.	82.	67-1236	Crankcase dowel	
T.SS.H.	83.	40-0865*	Cylinder barrel stud ($\frac{3}{8}$ " U.N.F. — $\frac{7}{16}$ " U.N.C. \times 5 $\frac{1}{2}$ ")	4
T.SS.H.	84.	71-1869	Crankcase complete	



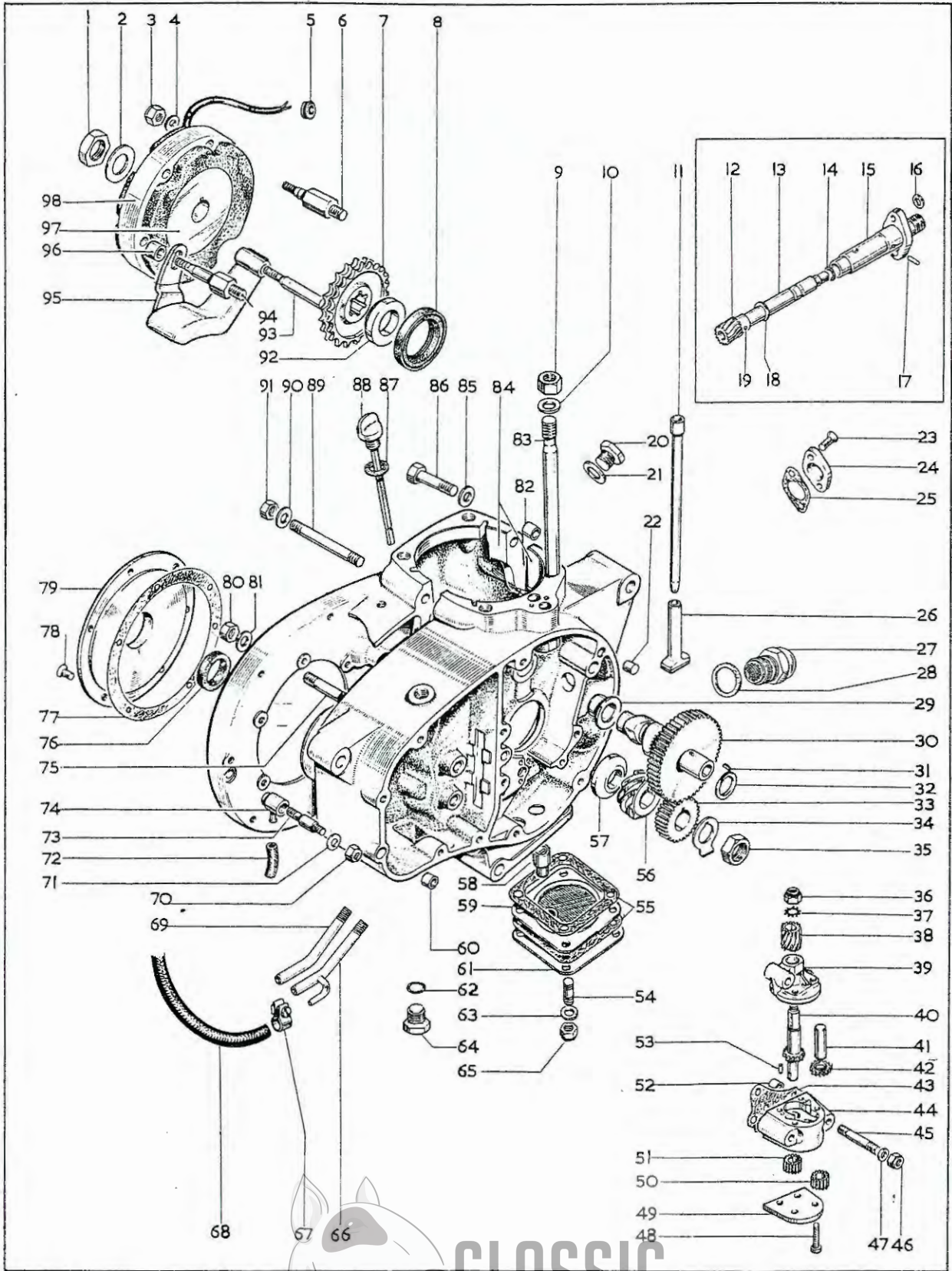


Plate 2—Continued

CRANKCASE

Model	Plate Ref.	Spares Number	Description	Per Set
T.SS.H.	85.	02-0923	Washer—crankcase bolt ($\frac{5}{16}$ " \times $\frac{5}{8}$ " \times $\frac{1}{16}$ ")	3
T.SS.H.	86.	14-6219	Bolt—crankcase ($\frac{5}{16}$ " U.N.C. \times $1\frac{1}{2}$ ")	3
T.SS.H.	87.	57-0948	Washer—gearbox dipstick	
T.SS.H.	88.	40-1033	Gearbox dipstick	
T.SS.H.	89.	21-2042	Stud—crankcase top ($\frac{5}{16}$ " U.N.F./U.N.C. \times $2-11/16$ ")	2
T.SS.H.	90.	02-0923	Washer—crankcase stud ($\frac{5}{16}$ " \times $\frac{5}{8}$ " \times $\frac{1}{16}$ ")	2
T.SS.H.	91.	14-0302	Nut—crankcase stud ($\frac{5}{16}$ " U.N.F.)	2
T.SS.H.	92.	40-0327	Spacer .294"/.297" (7.5 mm.)	1
T.SS.H.	93.	21-1896*	Bottom studs—tator mounting ($\frac{1}{4}$ " U.N.F. $\frac{5}{16}$ " U.N.C. \times $2\frac{9}{16}$ ")	
T.SS.H.	94.	21-1894*	Rear stud—stator mounting ($\frac{1}{4}$ " U.N.F. $\frac{5}{16}$ " U.N.C. \times $2-19/32$ ")	
T.SS.H.	95.	41-0143	Primary chain tensioner	
T.SS.H.	96.	41-0146	Tensioner distance piece	
T.SS.H.	97.	19-8019	Alternator rotor (Lucas 54213901)	
T.SS.H.	98.	19-1262	Alternator stator (Lucas 47205)	

*6.—EN14B. 23.—EN8R. 45.—EN14B. 83.—EN15. 93.—EN8. 94.—EN14B.



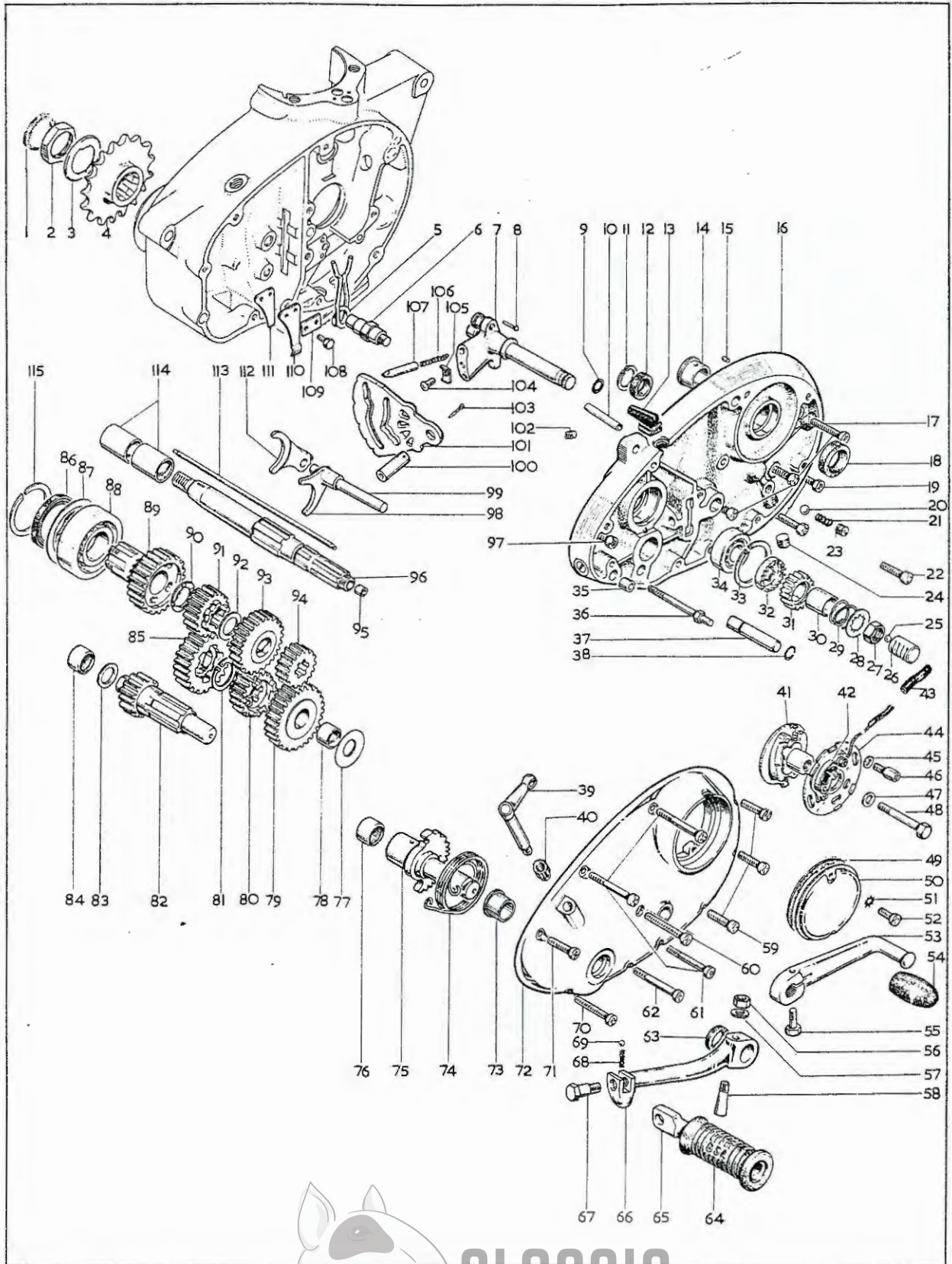


Plate 3

GEAR CLUSTER AND TIMING COVERS

Model	Plate Ref.	Spares Number	Description	Per Set
T.SS.H.	1.	90-6074	Felt washer—final drive sprocket	
T.SS.H.	2.	40-3051*	Nut—final drive sprocket ($1\frac{3}{16}$ " W.F.)	
T.SS.H.	3.	40-3121	Lockwasher—final drive sprocket	
T.	4.	41-3095	Final drive sprocket (16 teeth)	
SS.H.	4.	41-3092	Final drive sprocket (17 teeth)	
T.SS.H.	5.	40-3061	Gearchange return spring	
T.SS.H.	6.	57-3763	Anchor bolt—gearchange return spring	
T.SS.H.	7.	40-3321	Gearchange quadrant	
T.SS.H.	8.	40-3059	Rivet—quadrant plunger	2
T.SS.H.	9.	68-0289	"O"-ring—oil feed	
T.SS.H.	10.	75-0257	Breather pipe—inner timing cover	
T.SS.H.	11.	40-0862	Circlip—crankshaft oil seal	
T.SS.H.	12.	40-0977	Oil seal—crankshaft	
T.SS.H.	13.	41-0715	Grommet—contact breaker leads	
T.SS.H.	14.	40-0222	Camshaft bush	
T.SS.H.	15.	40-0028	Peg—camshaft bush	
T.SS.H.	16.	71-2272	Inner timing cover	
T.SS.H.	17.	14-6610	Screw—inner cover to crankcase ($\frac{1}{4}$ " U.N.C. \times $1\frac{1}{2}$ ")	4
T.SS.H.	18.	40-0679	Camshaft oil seal	
T.SS.H.	19.	14-6606	Screw—front—inner cover to crankcase ($\frac{1}{4}$ " U.N.C. \times $\frac{1}{4}$ ")	2
T.SS.H.	20.	60-2364	Ball—non-return valve ($\frac{1}{4}$ " diameter)	
T.SS.H.	21.	40-0385	Spring—non-return valve	
T.SS.H.	22.	14-6610	Screw—inner cover to crankcase ($\frac{1}{4}$ " U.N.C. \times $1\frac{1}{2}$ ")	
T.SS.H.	23.	21-2044	Screwed plug—non-return valve ($\frac{3}{8}$ " U.N.C.)	
T.SS.H.	24.	70-9526	Sealing plug (when oil switch is not fitted)	
T.SS.H.	25.	60-2363	Ball—clutch thrust ($\frac{7}{32}$ " diameter)	
T.SS.H.	26.	40-3282	Rack—clutch operating	
T.SS.H.	27.	76-0271*	Mainshaft nut ($\frac{1}{2}$ " B.S.C.)	
T.SS.H.	28.	40-3257	Lockwasher—mainshaft	
T.SS.H.	29.	40-3273	Spring—kickstart ratchet	
T.SS.H.	30.	40-3272	Bush—kickstart ratchet pinion	
T.SS.H.	31.	40-3271	Pinion—kickstart ratchet	
T.SS.H.	32.	40-3279	Ratchet—kickstart	
T.SS.H.	33.	76-0528	Circlip—mainshaft bearing	
T.SS.H.	34.	90-0011	Mainshaft bearing (Hoffmann LS.7)	
T.SS.H.	35.	66-3074	Dowel—outer timing cover	2
T.SS.H.	36.	57-3764	Anchor bolt—kickstart return spring	
T.SS.H.	37.	40-3276	Stop—kickstart quadrant	
T.SS.H.	38.	40-3277	Circlip—kickstart stop	
T.SS.H.	39.	57-2750	Clutch operating lever	
T.SS.H.	40.	40-3283	Clutch operating pinion	
T.SS.H.	41.	19-1853	Auto-advance unit (Lucas 54419653)	
T.SS.H.	42.	19-1849	Contact set (Lucas 54419827)	
T.SS.H.	43.	40-0723	Sleeve—contact breaker leads	
T.SS.H.	44.	19-1852	Contact breaker plate (Lucas 54419645)	
T.SS.H.	45.	40-0682	Washer—contact breaker pillar bolt	2

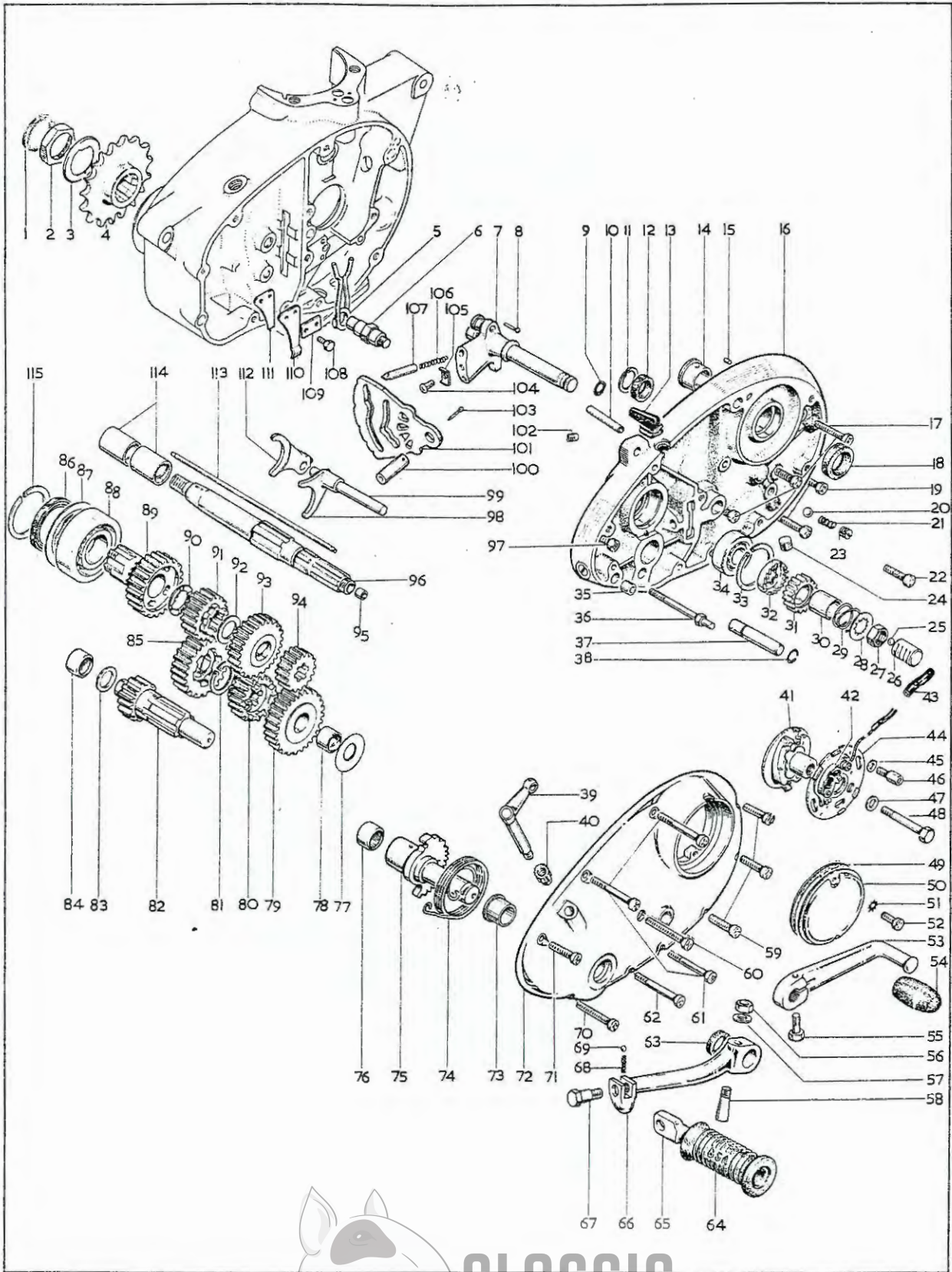


Plate 3—Continued

GEAR CLUSTER AND TIMING COVERS

Model	Plate Ref.	Spares Number	Description	Per Set
T.SS.H.	46.	40-0683	Pillar bolt, contact breaker	2
T.SS.H.	47.	68-0331	Washer—auto-advance unit	
T.SS.H.	48.	14-0208	Bolt—auto-advance unit ($\frac{1}{4}$ " U.N.F. \times $2\frac{1}{4}$ ")	
T.SS.H.	49.	71-1423	Gasket—contact breaker cover	
T.SS.H.	50.	70-8737	Contact breaker cover	
T.SS.H.	51.	29-3319	Lock—washer cover screw line 54	2
T.SS.H.	52.	70-7354	Screw—contact breaker cover (2 B.A. \times $\frac{1}{2}$ ")	2
T.SS.H.	53.	40-3073	Gearchange lever	
T.SS.H.	54.	89-3208	Rubber—gearchange lever	
T.SS.H.	55.	42-6554	Bolt—gearchange lever ($\frac{1}{4}$ " B.S.C. \times $\frac{3}{4}$ ")	
T.SS.H.	56.	02-2578	Nut—kickstart crank cotter ($\frac{1}{4}$ " B.S.C.)	
T.SS.H.	57.	02-2580	Washer—kickstart crank cotter	
T.SS.H.	58.	02-2579	Cotter—kickstart crank ($\frac{1}{4}$ " B.S.C.)	
T.SS.H.	59.	40-0236	Screw—outer timing cover (2 B.A. \times $\frac{5}{8}$ ")	3
T.SS.H.	60.	14-6611	Screw—outer timing cover ($\frac{1}{4}$ " U.N.C. \times $1\frac{3}{4}$ ")	
T.SS.H.	61.	14-6612	Screw—outer timing cover ($\frac{1}{4}$ " U.N.C. \times 2")	3
T.SS.H.	62.	14-6614	Screw—outer timing cover ($\frac{1}{4}$ " U.N.C. \times $2\frac{1}{2}$ ")	
T.SS.H.	63.	57-2641	Oil seal—kickstart spindle	
T.SS.H.	64.	57-2759	Pedal rubber—kickstart crank	
T.SS.H.	65.	57-2646	Folding pedal—kickstart crank	
T.SS.H.	66.	57-2764	Kickstart crank complete	
T.SS.H.	67.	40-3084	Bolt—kickstart pedal	
T.SS.H.	68.	40-3085	Spring—kickstart pedal	
T.SS.H.	69.	60-2364	Ball—kickstart pedal ($\frac{1}{4}$ " diameter)	
T.SS.H.	70.	14-6610	Screw—outer timing cover ($\frac{1}{4}$ " U.N.C. \times $1\frac{1}{4}$ ")	
T.SS.H.	71.	14-6606	Screw—outer timing cover ($\frac{1}{4}$ " U.N.C. \times $\frac{3}{4}$ ")	
T.SS.H.	72.	71-2273	Outer timing cover	
T.SS.H.	73.	57-2642	Bush—kickstart spindle	
T.SS.H.	74.	40-3275	Spring—kickstart return	
T.SS.H.	75.	57-4070	Kickstart spindle complete	
T.SS.H.	76.	40-3292	Bearing—layshaft (Torrington B.108)	
T.SS.H.	77.	40-3258	Shim—layshaft	
T.SS.H.	78.	40-3262	Bush—layshaft first gear	
T.SS.H.	79.	57-3874	Pinion—layshaft first gear (27 teeth)	
T.SS.H.	80.	57-3877	Pinion—layshaft third gear (19 teeth)	
T.SS.H.	81.	41-3078	Circlip—layshaft	
T.SS.H.	82.	41-3068	Layshaft with top gear pinion (14 teeth)	
T.SS.H.	83.	41-3074	Thrust washer (.083—.085")	as reqd.
T.SS.H.	83.	41-3072	Thrust washer (.078—.080")	as reqd.
T.SS.H.	84.	40-3292	Bearing—layshaft (Torrington B.108)	
T.SS.H.	85.	41-3070	Pinion—layshaft second gear (22 teeth)	
T.SS.H.	86.	41-3054	Oil seal—mainshaft (Pioneer 20615618)	
T.SS.H.	87.	71-1271	Shield—gearbox main bearing	
T.SS.H.	88.	29-3857	Bearing—mainshaft (Hoffmann 130)	
T.SS.H.	89.	57-3872	Pinion—mainshaft top gear (22 teeth)	
T.SS.H.	90.	40-3020	Spacer (.093—.094")	as reqd.



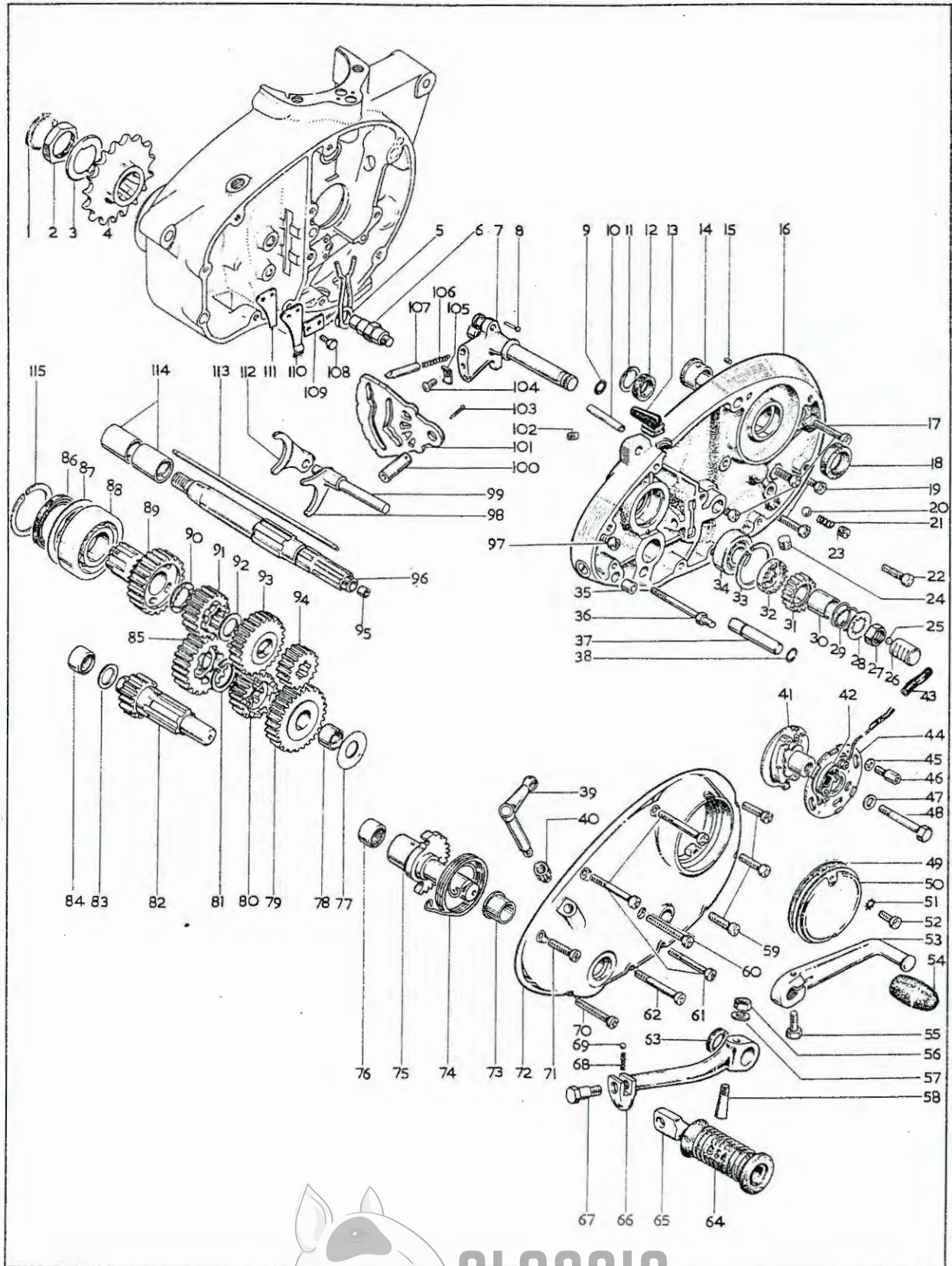


Plate 3—Continued

GEAR CLUSTER AND TIMING COVERS

Model	Plate Ref.	Spares Number	Description	Per Set
T.S.S.H.	90.	40-3126	Spacer (.098—.099") as reqd.
T.S.S.H.	90.	40-3127	Spacer (.103—.104") as reqd.
T.S.S.H.	91.	57-3876	Pinion—mainshaft second gear (21 teeth)
T.S.S.H.	92.	40-3019	Spacer (.075—.076") as reqd.
T.S.S.H.	92.	40-3119	Spacer (.070—.071") as reqd.
T.S.S.H.	92.	40-3120	Spacer (.080—.081") as reqd.
T.S.S.H.	93.	41-3063	Pinion—mainshaft third gear (24 teeth)
T.S.S.H.	94.	41-3089	Pinion—mainshaft first gear (16 teeth)
T.S.S.H.	95.	40-3007	Bush—mainshaft push rod
T.S.S.H.	96.	40-3254	Mainshaft with bush
T.S.S.H.	97.	14-6608	Screw—inner timing cover ($\frac{1}{4}$ " U.N.C. \times 1")
T.S.S.H.	98.	40-3033	Selector fork—layshaft
T.S.S.H.	99.	40-3032	Spindle—selector forks
T.S.S.H.	100.	40-3291	Cam plate pivot
T.S.S.H.	101.	57-3850	Cam plate
T.S.S.H.	102.	53-3049	Screwed plug—mainshaft oil feed
T.S.S.H.	103.	60-2724	Split pin—cam plate pivot ($\frac{3}{32}$ " \times 1")
T.S.S.H.	104.	40-3323	Screw—keeper plate (5 B.A. \times $\frac{5}{16}$ ")
T.S.S.H.	105.	40-3194	Retaining plate—quadrant plungers
T.S.S.H.	106.	40-3155	Spring—gear control plunger	2
T.S.S.H.	107.	40-3193	Plunger—gear control quadrant	2
T.S.S.H.	108.	40-3044	Bolt—cam plate spring (2 B.A. \times $\frac{3}{8}$ ")	2
T.S.S.H.	109.	40-3045	Lockplate—camplate spring
T.S.S.H.	110.	40-3042	Spring—cam plate
T.S.S.H.	111.	40-3043	Spring plate
T.S.S.H.	112.	57-3854	Selector fork—main shaft
T.S.S.H.	113.	40-3265	Clutch push rod
T.S.S.H.	114.	41-3045	Bush—mainshaft top gear	2
T.S.S.H.	115.	70-6026	Circlip—mainshaft oil seal

*Special material: 2.—EN8. 27.—EN15.



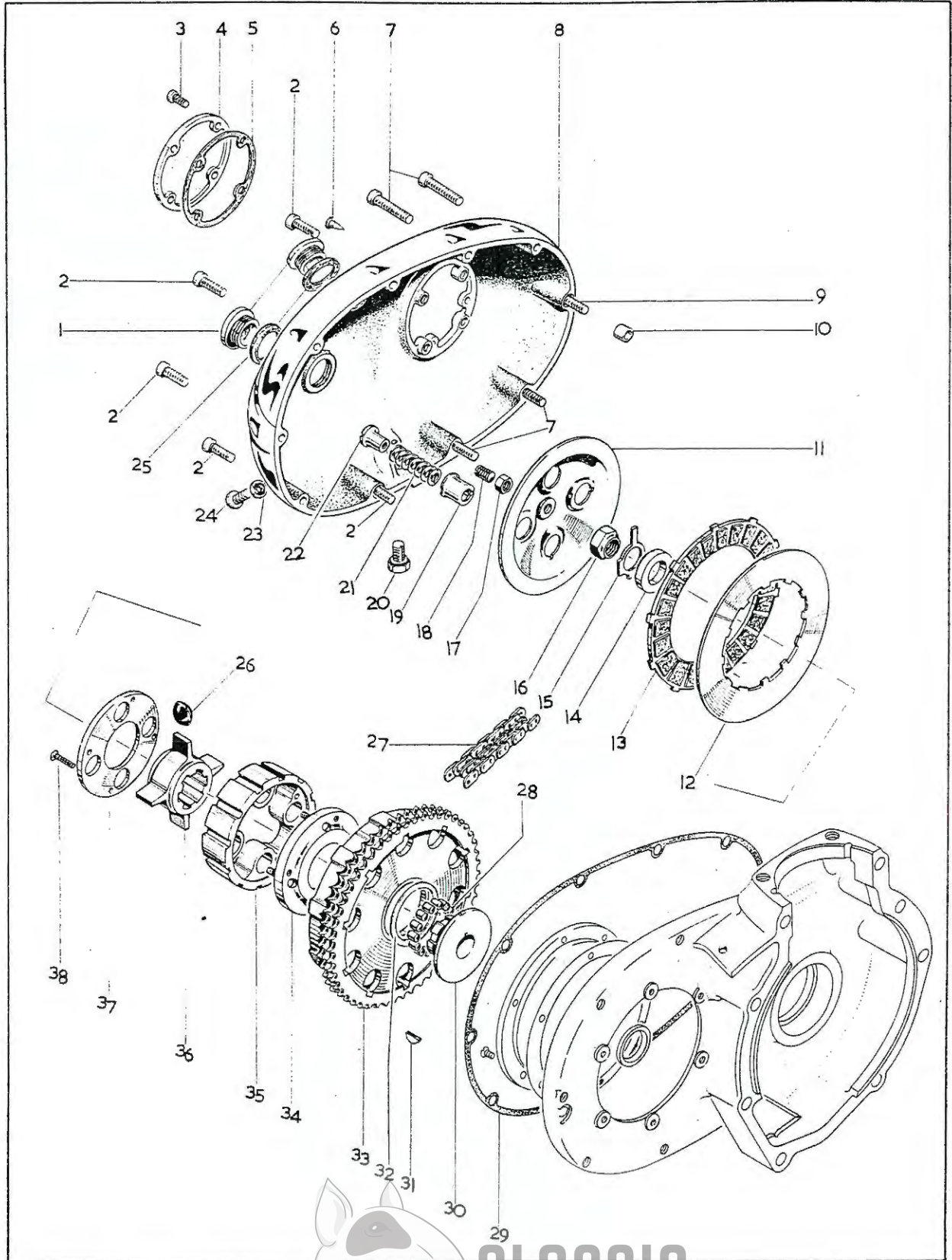
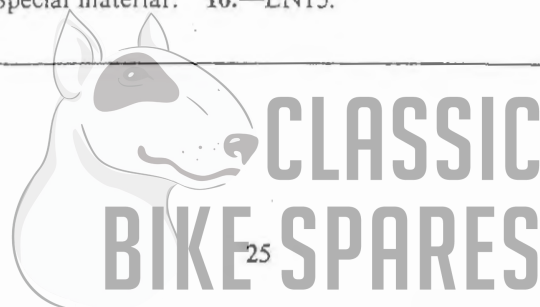


Plate 4

CLUTCH

Model	Plate Ref.	Spares Number	Description	Per Set
T.SS.H.	1.	57-2166	Screwed plug—primary cover (1" × 16 U.N.S.)
T.SS.H.	1.	70-9800	Screw breather plug—primary cover (1" × 16 U.N.S.)
T.SS.H.	2.	14-6610	Screw—primary cover ($\frac{1}{4}$ " U.N.C. × $1\frac{1}{2}$ ") 5
T.SS.H.	3.	76-4116	Screw—inspection cover (2 B.A. × $\frac{1}{2}$ ") 4
T.SS.H.	4.	68-0839	Timing inspection cover
T.SS.H.	5.	71-1420	Cover gasket
T.SS.H.	6.	40-1005	Ignition pointer
T.SS.H.	7.	14-6611	Screw—primary cover ($\frac{1}{4}$ " U.N.C. × $1\frac{3}{4}$ ") 4
T.SS.H.	8.	71-2025	Primary cover assembly
T.SS.H.	9.	21-1951	Screw—primary cover ($\frac{1}{4}$ " U.N.C. × $1\frac{7}{8}$ ")
T.SS.H.	10.	66-3074	Dowel—primary cover to crankcase 2
T.SS.H.	11.	57-4019	Clutch pressure plate
T.SS.H.	12.	40-3220	Clutch driven plate 5
T.SS.H.	13.	40-3233	Clutch driving plate 5
T.SS.H.	14.	40-3234	Retaining washer, clutch
T.SS.H.	15.	40-3221	Lockwasher—clutch nut
T.SS.H.	16.	40-3227*	Retaining nut—clutch ($\frac{1}{2}$ " B.S.C.)
T.SS.H.	17.	14-0401	Locknut—clutch adjusting screw ($\frac{1}{4}$ " U.N.F.)
T.SS.H.	18.	57-4189	Clutch adjusting screw ($\frac{1}{4}$ " U.N.F. × $\frac{3}{8}$ ")
T.SS.H.	19.	57-4121	Clutch spring cup 4
T.SS.H.	20.	21-1943	Drain plug—primary case
T.SS.H.	21.	40-3231	Clutch spring 4
T.SS.H.	22.	41-3215	Clutch spring nut 4
T.SS.H.	23.	71-1065	Washer—oil level screw
T.SS.H.	24.	14-7804	Oil level screw
T.SS.H.	25.	70-8782	Washer for primary cover plugs 2
T.SS.H.	26.	41-3212	Rubber pads—cush drive 8
T.SS.H.	27.	19-8613	Primary chain (70 pitches)
T.SS.H.	28.	40-3206	Roller—clutch hub 25
T.SS.H.	29.	71-1418	Primary cover gasket
T.SS.H.	30.	57-4200	Clutch hub
T.SS.H.	31.	40-3150	Key—clutch hub
T.SS.H.	32.	57-3931	Thrust washer
T.SS.H.	33.	57-4198	Chainwheel complete (52 teeth)
T.SS.H.	34.	40-3207	Retaining plate (inner)
T.SS.H.	35.	57-4186	Clutch centre
T.SS.H.	36.	41-3209	Clutch spider
T.SS.H.	37.	40-3210	Retaining plate (outer)
T.SS.H.	38.	40-3330	Screw—inner and outer retaining plates (1 B.A. × $15/16$ ") 4
T.SS.H.		57-4197	Clutch assembly complete

*Special material: 16.—EN15.



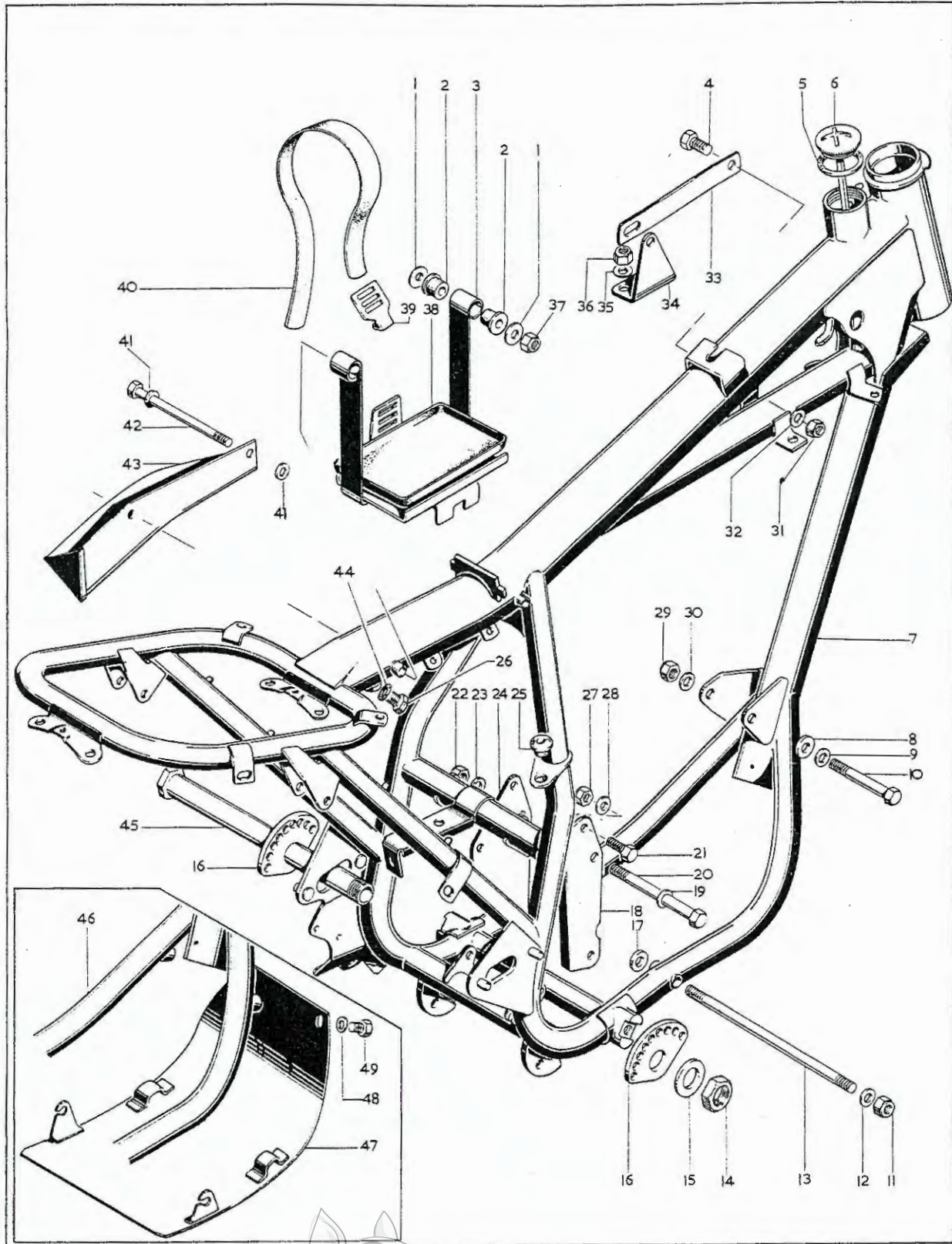


Plate 5

FRAME, BATTERY CARRIER, TOOL TRAY AND ENGINE SHIELD

Model	Plate Ref.	Spares Number	Description	Per Set
T.SS.H.	1.	76-0101	Washer — battery carrier mounting	4
T.SS.H.	2.	83-2204	Bush — battery carrier mounting	4
T.SS.H.	3.	83-2018	Battery carrier	1
T.SS.H.	4.	14-0126	Bolt — engine steady ($\frac{3}{8}$ " U.N.F. \times $\frac{3}{4}$ ")	2
T.SS.H.	5.	70-3751	Washer — oil filler	1
T.SS.H.	6.	83-3046	Oil filler cap and dipstick	1
T.SS.H.	7.	83-2985	Frame complete	1
T.SS.H.	8.	83-2004	Distance piece — engine mounting, front	1
T.SS.H.	8.	68-4925	Distance piece — exhaust pipe and front engine bolt	1
T.SS.H.	9.	70-8770	Washer — engine mounting, front	1
T.SS.H.	10.	14-0239	Bolt — engine mounting, front ($\frac{3}{8}$ " U.N.F. \times 3")	1
T.SS.H.	11.	14-1303	Locknut — engine mounting, bottom ($\frac{3}{8}$ " U.N.F.)	2
T.SS.H.	12.	70-8770	Washer — engine mounting, bottom	2
T.SS.H.	13.	21-2061*	Stud — engine mounting, bottom ($\frac{3}{8}$ " U.N.F. \times 8-11/16")	1
T.SS.H.	14.	21-0755	Nut — swinging arm pivot (13/16" U.N.C.)	1
T.SS.H.	15.	37-2085	Washer — swinging arm pivot	1
T.SS.H.	16.	83-1972	Adjuster — swinging arm pivot	1
T.SS.H.	17.	83-2005	Spacer — engine mounting, bottom	1
T.SS.H.	18.	83-2015	Engine mounting plate — rear, right	1
T.SS.H.	19.	70-8770	Washer — engine mounting, rear	2
T.SS.H.	20.	21-0671	Bolt — engine mounting, rear ($\frac{3}{8}$ " U.N.F. \times 3 $\frac{7}{8}$ ")	1
T.SS.H.	21.	14-0114	Bolt — engine mounting, rear ($\frac{5}{16}$ " U.N.F. \times $\frac{3}{4}$ ")	4
T.SS.H.	22.	14-1303	Locknut — engine mounting, rear ($\frac{3}{8}$ " U.N.F.)	1
T.SS.H.	23.	70-8770	Washer — engine mounting, rear	2
T.SS.H.	24.	83-3063	Engine mounting plate — rear, left	1
T.SS.H.	25.	83-2006	Grommet — battery carrier mounting	1
T.SS.H.	26.	21-2015	Oil drain plug	1
T.SS.H.	27.	14-1302	Locknut — engine mounting, rear ($\frac{5}{16}$ " U.N.F.)	4
T.SS.H.	28.	75-0176	Washer — engine mounting, rear	8
T.SS.H.	29.	14-1303	Locknut — engine mounting, front ($\frac{3}{8}$ " U.N.F.)	1
T.SS.H.	30.	70-8770	Washer — engine mounting, front	1
T.SS.H.	31.	14-1303	Locknut — engine steady ($\frac{3}{8}$ " U.N.F.)	2
T.SS.H.	32.	60-2331	Washer — engine steady ($\frac{3}{8}$ " \times $\frac{3}{4}$ " \times .072")	2
T.SS.H.	33.	*83-3296	Engine steady stay	1
T.SS.H.	34.	40-0946	Engine steady bracket	1
T.SS.H.	35.	60-2330	Washer — engine steady	2
T.SS.H.	36.	14-1302	Locknut — engine steady ($\frac{5}{16}$ " U.N.F.)	2
T.SS.H.	37.	14-1301	Locknut — battery carrier mounting ($\frac{1}{4}$ " U.N.F.)	2
T.SS.H.	38.	68-4597	Battery tray	1
T.SS.H.	39.	82-9004	Hook — battery strap	1
T.SS.H.	40.	68-4577	Battery strap	1
T.SS.H.	41.	60-2347	Washer — tool tray mounting ($\frac{1}{4}$ " \times $\frac{3}{4}$ " \times .072")	4
T.SS.H.	42.	21-2060	Bolt — tool tray and battery carrier mounting ($\frac{1}{4}$ " U.N.F. \times 4 $\frac{3}{4}$ ")	2
T.SS.H.	43.	83-2671	Tool tray	1
T.SS.H.	44.	54-8006	Washer — drain plug	1
T.SS.H.	45.	83-2013	Spindle complete — swinging arm	1
T.SS.H.	46.	83-2985	Frame complete	1
T.	47.	83-2228	Engine shield	1
T.	48.	75-0214	Washer — engine shield fixing ($\frac{1}{4}$ " \times 15/32" \times .018")	2
T.	49.	21-0543	Bolt — engine shield fixing ($\frac{1}{4}$ " U.N.F. \times $\frac{1}{4}$ ")	2

*Special material: 13.—EN16R.

For colour finish code refer to page 3.

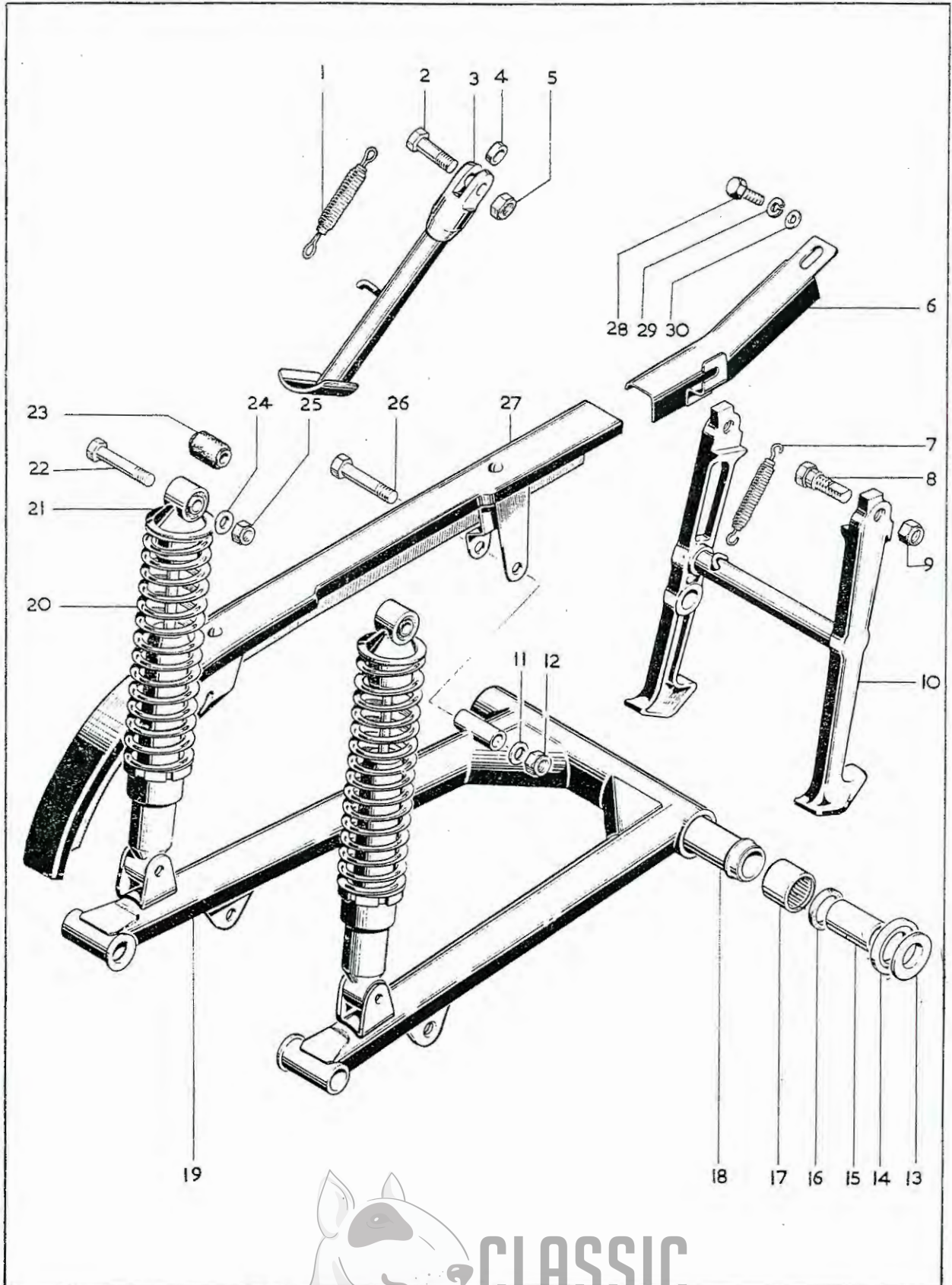


Plate 6

SWINGING ARM, REAR SUSPENSION AND CHAINGUARD

Model	Plate Ref.	Spares Number	Description	Per Set
T.SS.H.	1.	68-4708	Spring — prop stand	1
T.SS.H.	2.	14-0232	Bolt — prop stand ($\frac{3}{8}$ " U.N.F. \times $1\frac{3}{8}$ ")	1
T.SS.H.	3.	83-3162	Prop stand	1
T.SS.H.	4.	83-3165	Distance piece	1
T.SS.H.	5.	14-1303	Locknut — prop stand bolt ($\frac{3}{8}$ " U.N.F.)	1
T.SS.H.	6.	83-2674	Chainguard extension	1
	7.	82-4671	Spring — centre stand (optional extra)	1
	8.	21-2077	Bolt — centre stand fixing (optional extra)	2
	9.	14-1304	Locknut — centre stand fixing ($\frac{7}{16}$ " U.N.F.) (optional extra)	2
	10.	83-3170	Centre stand (optional extra)	1
T.SS.H.	11.	60-2339	Washer — chainguard to swinging arm	1
T.SS.H.	12.	14-1302	Locknut — chainguard to swinging arm ($\frac{5}{16}$ " U.N.F.)	1
T.SS.H.	13.	83-2233	Thrust washer — swinging arm	2
T.SS.H.	14.	83-3014	Seal — thrust washer	2
T.SS.H.	15.	83-2012	Sleeve — inner	2
T.SS.H.	16.	83-2244	Oil seal — swinging arm	2
T.SS.H.	17.	83-2245	Needle bearing — swinging arm (Torrington B.1616)	2
T.SS.H.	18.	83-1969	Spacer tube — swinging arm bearing	1
T.SS.H.	19.	83-2212	Swinging arm complete	1
T.SS.	20.	19-7458	Damper spring (Girling 64543708)	2
T.SS.	21.	19-7454	Damper unit complete (Girling S.2484)	2
T.SS.H.	22.	14-0234	Bolt — damper fixing, top and bottom ($\frac{3}{8}$ " U.N.F. \times $1\frac{3}{4}$ ")	4
T.SS.H.	23.	19-7461	Bush — damper unit (Girling 64533645)	4
T.SS.H.	24.	60-2322	Washer — damper fixing, top and bottom	4
T.SS.H.	25.	14-1303	Locknut — damper fixing, top and bottom ($\frac{3}{8}$ " U.N.F.)	4
T.SS.H.	26.	14-6221	Bolt — chainguard to swinging arm ($\frac{5}{16}$ " U.N.F. \times 2")	1
T.SS.H.	27.	83-2224	Chainguard complete	1
T.SS.H.	28.	14-6101	Screw — chainguard extension fixing ($\frac{1}{4}$ " U.N.C. \times $\frac{1}{2}$ ")	1
T.SS.H.	29.	60-2417	Lockwasher — chainguard extension fixing	1
T.SS.H.	30.	60-2329	Washer — chainguard extension fixing ($\frac{1}{4}$ " \times $\frac{9}{16}$ " \times .056")	1

For colour finish code refer to page 3.



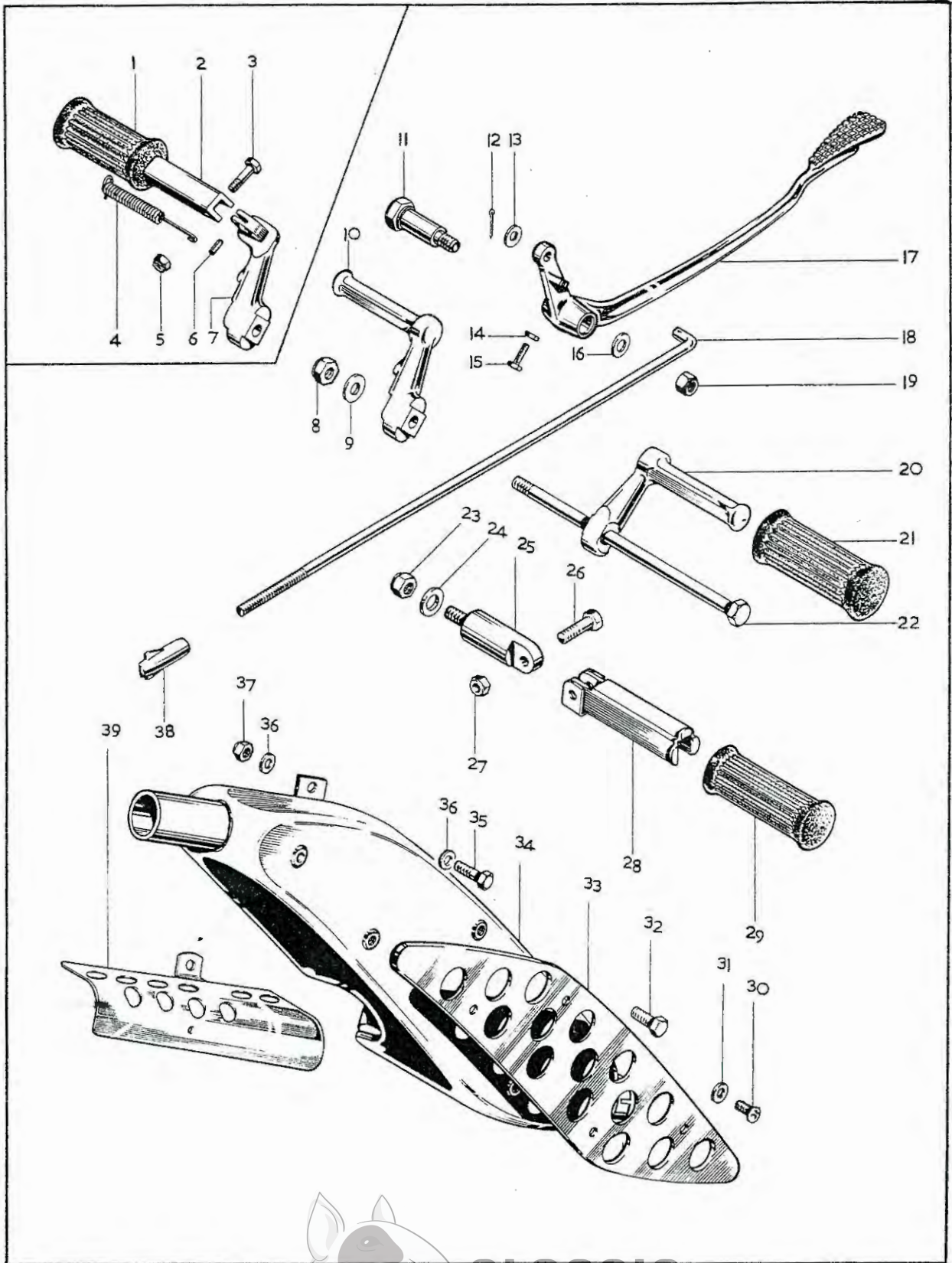


Plate 7

REAR BRAKE CONTROL, FOOTREST AND SILENCER

Model	Plate Ref.	Spares Number	Description	Per Set
T.	1.	42-4925	Rubber, folding footrest	2
T.	2.	83-3092	Folding footrest	2
T.	3.	14-0216	Pivot bolt — folding footrest ($\frac{5}{16}$ " U.N.F. \times $1\frac{1}{8}$ ")	2
T.	4.	83-3095	Return spring, folding footrest	2
T.	5.	14-1302	Locknut — folding footrest pivot ($\frac{5}{16}$ " U.N.F.)	2
T.	6.	83-3094	Anchor peg — return spring	2
T.	7.	83-2218	Bracket — folding footrest, left	1
T.	7.	83-2220	Bracket — folding footrest, right	1
T.SS.H.	8.	14-1303	Locknut — footrest bolt ($\frac{3}{8}$ " U.N.F.)	1
T.SS.H.	9.	02-2138	Washer — footrest bolt ($\frac{3}{8}$ " \times $\frac{1}{4}$ " \times $\frac{1}{16}$ ")	1
SS.H.	10.	83-3015	Footrest — left	1
SS.H.	11.	21-2045	Pivot — rear brake pedal	1
T.SS.H.	12.	60-2683	Split pin — brake rod ($\frac{1}{16}$ " \times $\frac{3}{8}$ ")	1
T.SS.H.	13.	60-2393	Washer — brake rod ($\frac{1}{4}$ " \times $\frac{1}{2}$ " \times .040")	1
T.SS.H.	14.	14-1301	Locknut — brake pedal adjuster ($\frac{1}{4}$ " U.N.F.)	1
T.SS.H.	15.	14-0103	Screw, brake pedal adjuster ($\frac{1}{4}$ " U.N.F. \times $\frac{1}{4}$ ")	1
T.SS.H.	16.	02-2138	Washer — brake pedal pivot ($\frac{3}{8}$ " \times $\frac{1}{4}$ " \times $\frac{1}{16}$ ")	1
T.SS.H.	17.	83-2040	Brake pedal	1
T.SS.H.	18.	83-2616	Brake rod	1
T.SS.H.	19.	14-1303	Locknut — brake pedal pivot ($\frac{3}{8}$ " U.N.F.)	1
SS.H.	20.	83-3017	Footrest — right	1
SS.H.	21.	40-4850	Footrest rubber	2
T.SS.H.	22.	21-2094	Footrest bolt	1
T.SS.H.	23.	14-1303	Locknut — pillion footrest anchor bolt ($\frac{3}{8}$ " U.N.F.)	2
T.SS.H.	24.	40-0157	Washer — pillion footrest anchor bolt	2
T.SS.H.	25.	83-2617	Anchor bolt — pillion footrest	2
T.SS.H.	26.	14-0216	Bolt — pillion footrest pivot ($\frac{5}{16}$ " U.N.F. \times $1\frac{1}{8}$ ")	2
T.SS.H.	27.	14-1302	Locknut — pillion footrest pivot ($\frac{5}{16}$ " U.N.F.)	2
T.SS.H.	28.	68-4835	Pillion footrest	2
T.SS.H.	29.	29-7583	Rubber — pillion footrest	2
T.SS.H.	30.	14-2203	Screw — heat shield fixing ($\frac{1}{4}$ " U.N.F. \times $\frac{3}{8}$ ")	5
T.SS.H.	31.	68-0331	Washer — heat shield fixing ($\frac{9}{32}$ " \times $\frac{1}{2}$ " \times $\frac{1}{16}$ ")	5
T.SS.H.	32.	14-0113	Bolt — silencer fixing, lower ($\frac{5}{16}$ " U.N.F. \times $\frac{3}{8}$ ")	1
T.SS.H.	33.	71-2114	Heat shield	1
T.SS.	34.	71-2400	Silencer	1
H.	34.	71-2411	Silencer	1
T.SS.H.	35.	14-0114	Bolt — silencer fixing top ($\frac{5}{16}$ " U.N.F. \times $\frac{3}{4}$ ")	1
T.SS.H.	36.	15-5155	Washer — silencer fixing	4
T.SS.H.	37.	14-1302	Locknut — silencer fixing ($\frac{5}{16}$ " U.N.F.)	2
T.	38.	82-7387	Adjuster nut — brake rod	1
T.SS.H.	39.	71-2402	Tailpipe heat shield	1
T.SS.H.		75-2725	Clamp — silencer to exhaust pipe	1
T.SS.H.		75-2719	'D' Washer — silencer clamp bolt	2
T.SS.H.		14-0218	Bolt — silencer clamp ($\frac{5}{16}$ " U.N.F. \times $1\frac{3}{8}$ ")	1
T.SS.H.		14-1302	Nut — silencer clamp bolt ($\frac{5}{16}$ " U.N.F.)	1



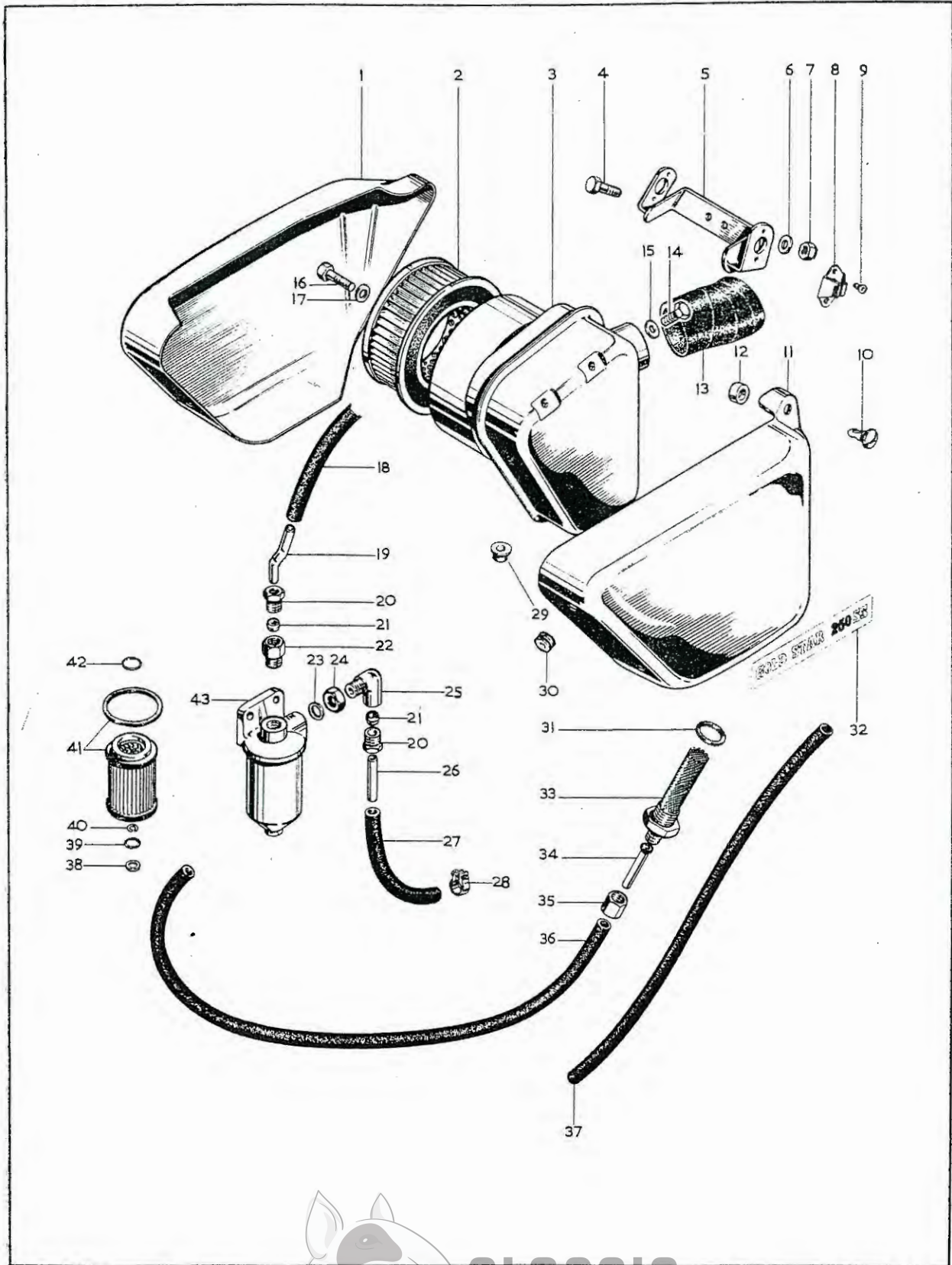


Plate 8

AIR CLEANER, SIDECOVER AND OIL PIPES

Model	Plate Ref.	Spares Number	Description	Per Set
T.SS.H.	1.	83-2937	Silencer—left	1
T.SS.H.	2.	60-2601	Element—air cleaner	1
T.SS.H.	3.	83-2042	Air cleaner filter box complete	1
T.SS.H.	4.	14-0102	Bolt—front fixing bracket ($\frac{1}{4}$ " U.N.F. \times $\frac{5}{8}$ "	2
T.SS.H.	5.	83-3035	Fixing bracket—front	1
T.SS.H.	6.	27-8560	Washer—front fixing bracket	2
T.SS.H.	7.	14-1301	Nut—front fixing bracket ($\frac{1}{4}$ " U.N.F.)	2
T.SS.H.	8.	68-9115	Oddic clip—sidecover fixing	2
T.SS.H.	9.	83-2785	Rivet—sidecover fixing	4
T.SS.H.	10.	60-3159	Oddic fastener	2
T.SS.H.	11.	83-2938	Sidecove—right	1
T.SS.H.	12.	60-3160	Rubber washer—oddic fastener	2
T.SS.H.	13.	83-2716	Rubber sleeve—air cleaner to carburetter	1
T.SS.H.	14.	14-0103	Bolt—filter box to frame ($\frac{1}{4}$ " U.N.F. \times $\frac{3}{4}$ "	2
T.SS.H.	15.	40-2705	Washer—filter box to frame	4
T.SS.H.	16.	14-0101	Bolt—element to box ($\frac{1}{4}$ " U.N.F. \times $\frac{1}{2}$ "	1
T.SS.H.	17.	40-2705	Washer—element to box	1
T.SS.H.	18.	83-3079	Return pipe—filter to frame	1
T.SS.H.	19.	83-3081	Connecting tube—filter to frame	1
T.SS.H.	20.	41-8316	Nut—oil filter, inlet and outlet	2
T.SS.H.	21.	60-3065	Sleeve—oil filter, inlet and outlet	2
T.SS.H.	22.	82-8901	Adaptor—oil filter outlet	1
T.SS.H.	23.	41-8314	Washer—oil filter inlet	1
T.SS.H.	24.	41-8313	Nut—oil filter inlet elbow	1
T.SS.H.	25.	41-8312	Oil filter elbow	1
T.SS.H.	26.	41-8317	Connecting tube—oil filter inlet	1
T.SS.H.	27.	83-3080	Oil return pipe—engine to filter	1
T.SS.H.	28.	68-8343	Clip—oil pipe	6
T.SS.H.	29.	83-2006	Rubber—air cleaner	1
T.SS.H.	30.	60-3161	Grommet—sidecover mounting and air filter box	6
T.SS.H.	31.	40-8331	Fibre washer—frame oil filter	1
T.	32.	60-3257	Transfer—sidecover	2
H.	32.	60-3259	Transfer—sidecover	2
SS.	32.	60-3261	Transfer—sidecover	2
T.SS.H.	33.	82-9430	Oil filter—frame	1
T.SS.H.	34.	40-8322	Oil feed pipe	1
T.SS.H.	35.	40-8323	Nut—oil feed pipe union	1
T.SS.H.	36.	83-3078	Oil feed pipe—frame to engine	1
T.SS.H.	37.	83-3077	Breather pipe oil reservoir	1
T.SS.H.	38.	19-4592	Washer oil filter bolt	
T.SS.H.	39.	19-4593	'O' ring—oil filter	
T.SS.H.	40.	19-4594	Circlip—oil filter bolt	
T.H.SS.	41.	19-4590	Oil filter element and seal	
T.SS.H.	42.	19-4595	'O' ring—oil filter	
T.SS.H.	43.	19-4589	Oil filter complete (British Filters Ltd. F.B.994)	

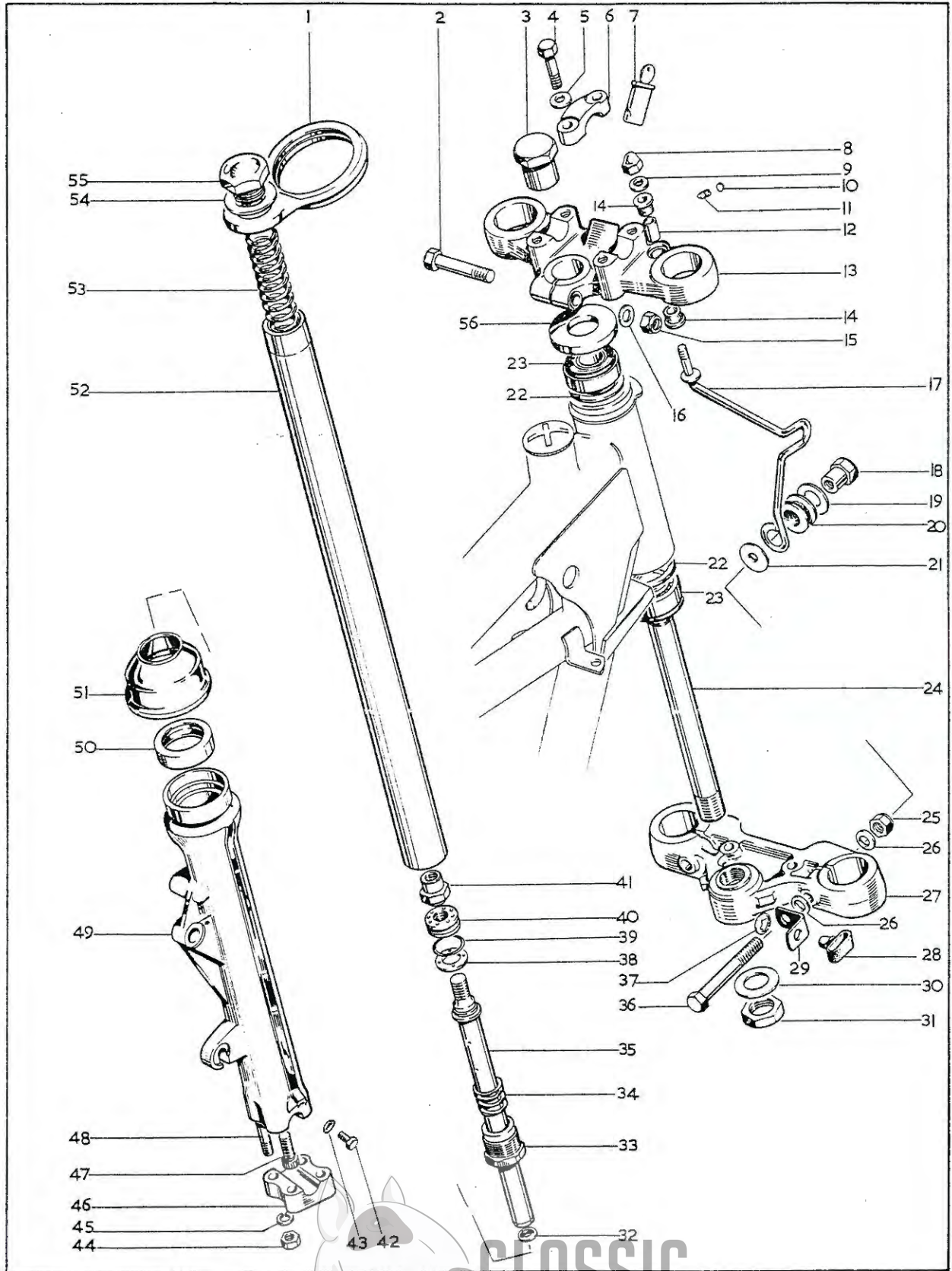
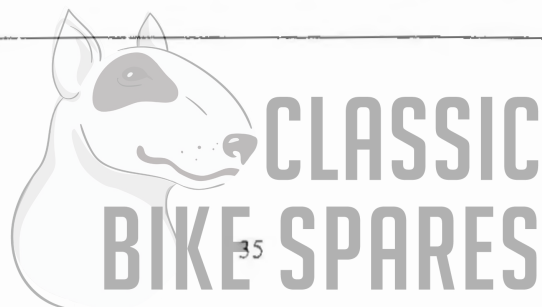
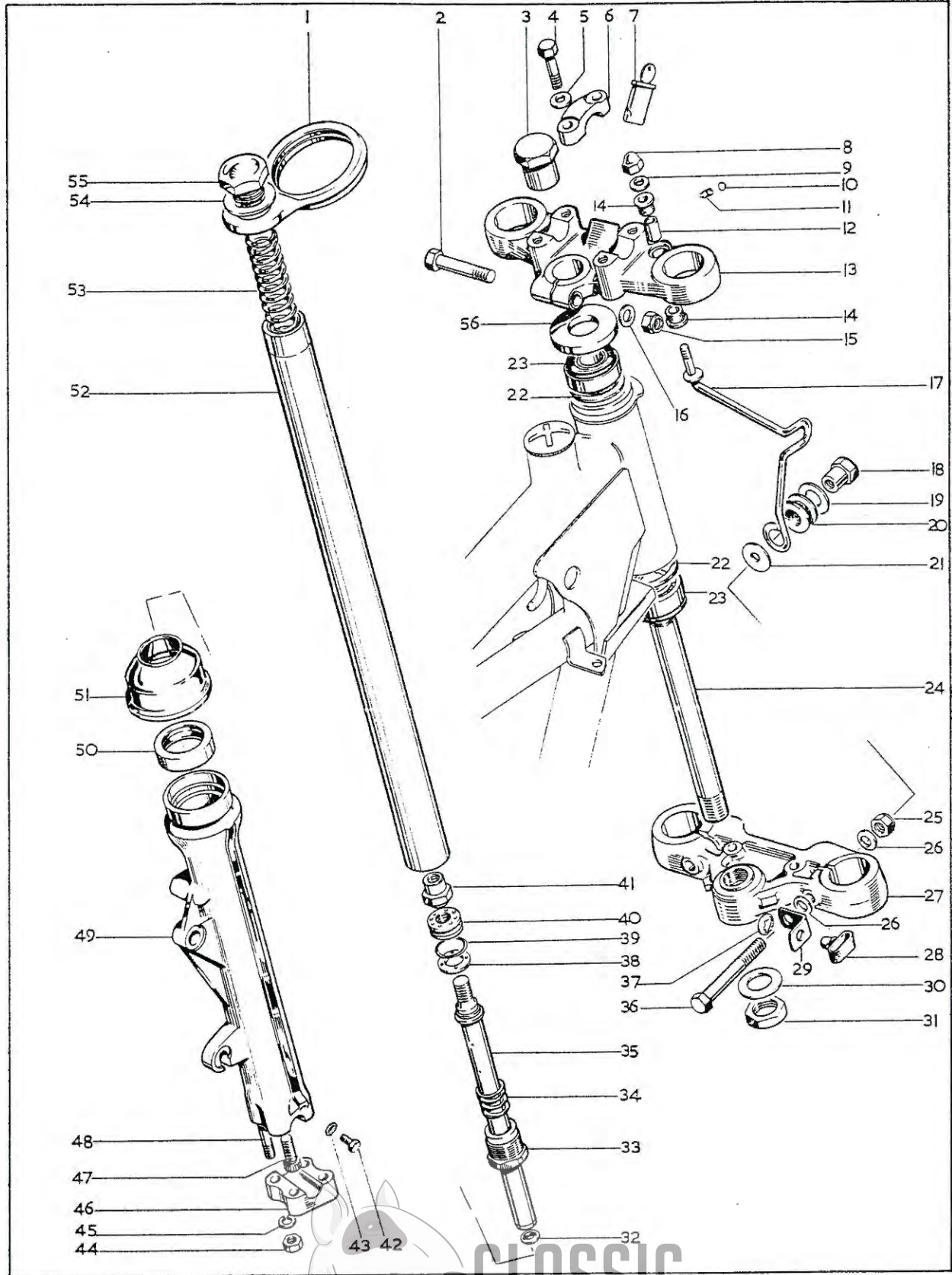


Plate 9

FRONT FORKS

Model	Plate Ref.	Spares Number	Description	Per Set
T.	1.	97-4026	Speedometer mounting bracket	1
T.SS.H.	1.	97-4023	Speedometer mounting bracket	1
T.SS.H.	2.	14-0236	Pinch bolt—top yoke ($\frac{3}{8}$ " U.N.F. \times $2\frac{1}{4}$ ")	1
T.SS.H.	3.	97-4029	Nut—steering stem	1
T.SS.H.	4.	14-6219	Bolt—handlebar cap ($\frac{5}{16}$ " U.N.C. \times $1\frac{1}{2}$ ")	4
T.SS.H.	5.	42-0157	Washer—handlebar cap	4
T.SS.H.	6.	97-0722	Handlebar cap	2
T.SS.H.	7.	68-5050	Steering lock and key	1
T.SS.H.	8.	21-1809	Nut—headlamp mounting top, (Domed $\frac{1}{4}$ " U.N.F.)	2
T.SS.H.	9.	60-2338	Washer—headlamp mounting, top ($17/64$ " \times $\frac{5}{8}$ " \times $3/64$ ")	2
T.SS.H.	10.	97-2266	Sealing washer—steering lock grub screw	1
T.SS.H.	11.	21-0578	Grub screw—steering lock	1
T.SS.H.	12.	83-2211	Spacer—headlamp mounting bush	2
T.SS.H.	13.	97-4115	Top yoke complete	1
T.SS.H.	14.	83-2209	Bush—headlamp mounting	4
T.SS.H.	15.	14-1303	Locknut—pinch bolt ($\frac{3}{8}$ " U.N.F.)	1
T.SS.H.	16.	02-2138	Washer—pinch bolt ($25/64$ " \times $\frac{3}{4}$ " \times $\frac{1}{16}$ ")	1
T.SS.H.	17.	97-4048	Bracket—headlamp mounting, left	1
T.SS.H.	17.	97-4050	Bracket—headlamp mounting, right	1
T.SS.H.	18.	21-2062	Sleeve nut—headlamp mounting bracket	2
T.SS.H.	19.	60-2333	Washer—sleeve nut, headlamp mounting bracket ($33/64$ " \times 1 " \times $\frac{1}{16}$ ")	2
T.SS.H.	20.	60-2630	Grommet — sleeve nut, headlamp mounting bracket	2
T.SS.H.	21.	76-8010	Washer — sleeve nut, headlamp mounting bracket ($\frac{3}{4}$ " \times 1 " \times $\frac{1}{16}$ ")	2
T.SS.H.	22.	83-2007	Bearing abutment ring	2
T.SS.H.	23.	97-4031	Taper roller bearing	2
T.SS.H.	24.	97-4116	Steering stem	1
T.SS.H.	25.	14-1203	Locknut — bottom yoke pinch bolt ($\frac{3}{8}$ " U.N.F.)	2
T.SS.H.	26.	02-2138	Washer — bottom yoke pinch bolt ($25/64$ " \times $\frac{3}{4}$ " \times $\frac{1}{16}$ ")	4
T.SS.H.	27.	97-3987	Bottom yoke	1
T.SS.H.	28.	97-2270	Retainer — brake cable	1
T.SS.H.	29.	97-3682	Bracket — brake cable retainer	1
T.SS.H.	30.	60-2336	Washer — steering stem ($25/32$ " \times $1\frac{1}{2}$ " \times $5/64$ ")	1
T.SS.H.	31.	14-7308	Locknut — steering stem ($\frac{1}{4}$ " U.N.C.)	1





FRONT FORKS

Model	Plate Ref.	Spare Number	Description	Per Set
T.SS.H.	32.	97-4004	Washer — damper tube	2
T.SS.H.	33.	97-4076	Stanchion end plug complete	2
T.SS.H.	34.	97-4009	Recoil spring	2
T.SS.H.	35.	97-3996	Damper tube complete	2
T.SS.H.	36.	14-0329	Bolt — bottom yoke pinch bolt	2
T.SS.H.	37.	82-8245	Lockwasher — brake cable retainer	1
T.SS.H.	38.	97-4010	Washer — damper	2
T.SS.H.	39.	97-4003	“O”-ring — damper valve	2
T.SS.H.	40.	97-4020	Valve — damper	2
T.SS.H.	41.	97-4012	Nut — damper valve	2
T.SS.H.	42.	97-3894	Drain plug — outer member	2
T.SS.H.	43.	97-3893	Washer — drain plug	2
T.SS.H.	44.	14-1902	Nut — fork end cap ($\frac{5}{16}$ " U.N.F.)	8
T.SS.H.	45.	60-2321	Lockwasher — fork end cap ($21/64$ " \times $\frac{5}{8}$ " \times $23/32$ ")	8
T.SS.H.	46.	97-3947	Fork end cap	2
T.SS.H.	47.	14-1019	Bolt — damper tube	2
T.SS.H.	48.	21-2047	Stud — fork end cap	8
T.SS.H.	49.	97-4032	Outer member complete — right	1
T.SS.H.	49.	97-4033	Outer member complete — left	1
T.SS.H.	50.	97-4001	Oil seal — outer member	2
T.SS.H.	51.	97-4002	Scraper sleeve — outer member	2
T.SS.H.	52.	97-4007	Fork stanchion	2
T.SS.H.	53.	97-4011	Fork spring	2
T.SS.H.	54.	97-4166	Washer — top cap nut	2
T.SS.H.	55.	97-4008	Top cap nut	2
T.SS.H.	56.	97-4028	Dust cover — steering head	1



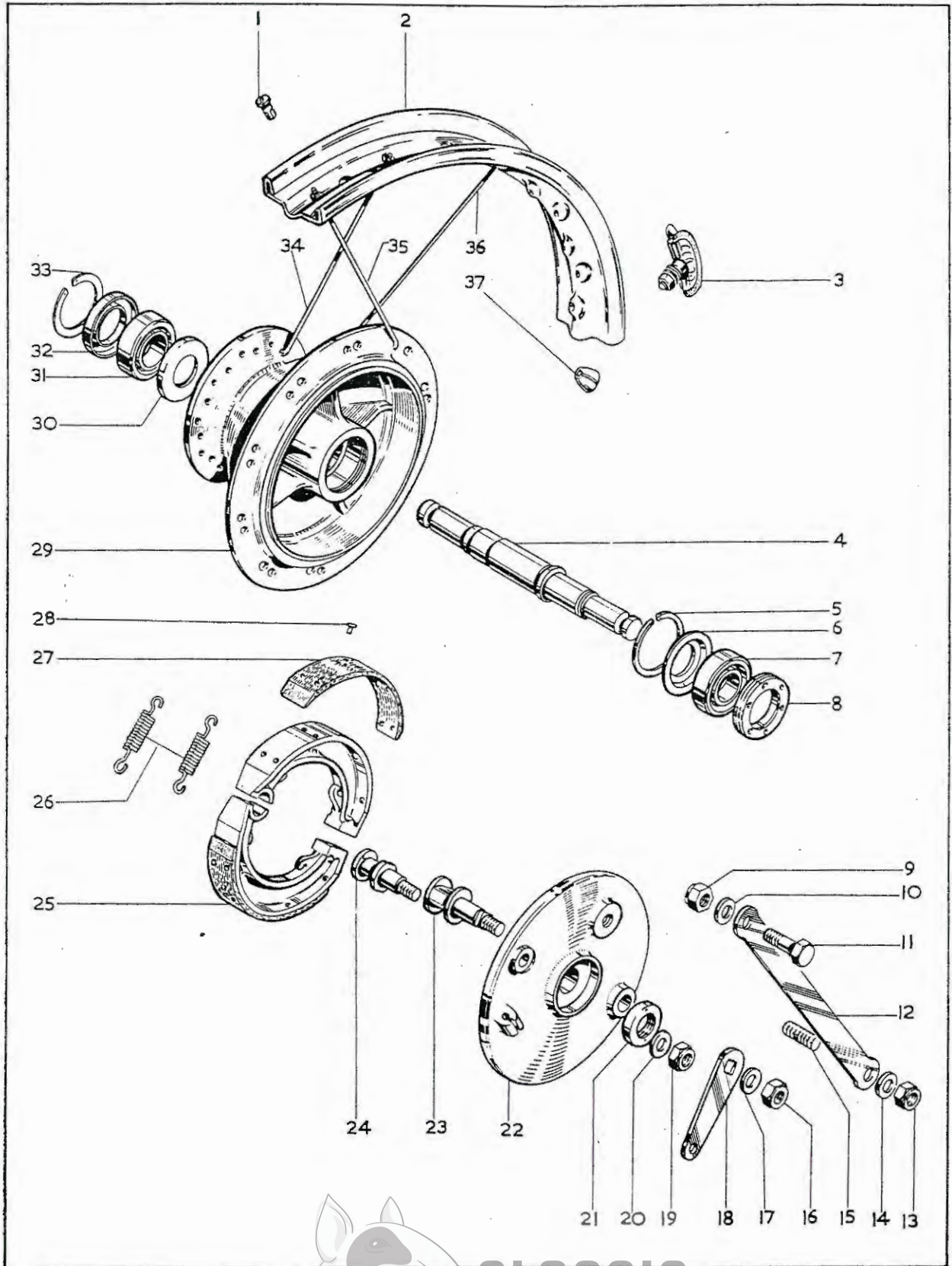
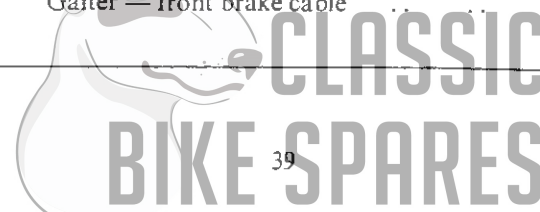


Plate 10

FRONT WHEEL (6 in. Brake)

Model	Plate Ref.	Spares Number	Description	Per Set
T.SS.	1.	27-6810	Spoke nipple	40
T.	2.	37-3795	Wheel rim (WM1 x 20)	1
SS.	2.	37-3892	Wheel rim (WM2 x 18)	1
T.	3.	37-3584	Security bolt	1
T.SS.	4.	37-3796	Wheel spindle	1
T.SS.	5.	60-2632	Circlip — grease retainer, right	1
T.SS.	6.	37-3797	Grease retainer — right	1
T.SS.	7.	37-0653	Bearing (Hoffmann 120)	1
T.SS.	8.	37-3759	Lock ring	1
T.SS.	9.	14-1304	Locknut — anchor strap to leg ($\frac{7}{16}$ " U.N.F.)	1
T.SS.	10.	60-2332	Washer — locknut, anchor strap to leg ($29/64$ " x $7/8$ " x $3/64$ ")	1
T.SS.	11.	14-0134	Bolt — anchor strap to leg ($\frac{7}{16}$ " U.N.F. x $1\frac{1}{4}$ ")	1
T.SS.	12.	83-2660	Anchor strap	1
T.SS.	13.	14-1304	Locknut — anchor strap to brake plate ($\frac{7}{16}$ " U.N.F.)	1
T.SS.	14.	60-2332	Washer — locknut, anchor strap to brake plate ($25/64$ " x $\frac{3}{4}$ " x $3/64$ ")	1
T.SS.	15.	21-2063	Stud — anchor strap to brake plate	1
T.SS.	16.	14-1303	Locknut — brake lever ($\frac{3}{8}$ " U.N.F.)	1
T.SS.	17.	60-2331	Washer — locknut, brake lever ($25/64$ " x $\frac{3}{4}$ " x $3/64$ ")	1
T.SS.	18.	37-3694	Brake lever	1
T.SS.	19.	14-1303	Locknut — fulcrum pin ($\frac{3}{8}$ " U.N.F.)	1
T.SS.	20.	60-2331	Washer — locknut, fulcrum pin ($25/64$ " x $\frac{3}{4}$ " x $3/64$ ")	1
T.SS.	21.	37-3758	Locknut — wheel spindle ($25/64$ " x $\frac{3}{4}$ " x $3/64$ ")	1
T.SS.	22.	37-3704	Brake anchor plate	1
T.SS.	23.	37-3799	Brake cam complete	1
T.SS.	24.	37-3798	Fulcrum pin	1
T.SS.	25.	37-3804	Brake shoe complete	2
T.SS.	26.	65-5904	Brake shoe spring	2
T.SS.	27.	19-7707	Brake shoe lining	2
T.SS.	28.	29-5853	Rivet — brake shoe lining	16
T.SS.	29.	37-3793	Hub complete with spindle and bearings	1
T.SS.	30.	37-1481	Grease retainer — left inner	1
T.SS.	31.	37-0653	Bearing (Hoffmann 120)	1
T.SS.	32.	37-1237	Grease retainer — left outer	1
T.SS.	33.	57-0280	Circlip — grease retainer, left	1
T.	34.	37-3697	Spoke — left	20
SS.	34.	37-3895	Spoke — left	20
T.	35.	37-3696	Spoke — outer, right	10
SS.	35.	37-3894	Spoke — outer, right	10
T.	36.	37-3695	Spoke — inner, right	10
SS.	36.	37-3893	Spoke — inner, right	10
T.	37.	42-5873	Balance weight — $\frac{3}{4}$ "	as reqd.
T.	37.	42-5875	Balance weight — 1"	as reqd.
T.SS.		42-5836	Pivot pin — brake cable to lever	1
T.SS.		60-2683	Split pin — brake cable pivot pin	1
T.SS.		60-3152	Gaiter — front brake cable	1



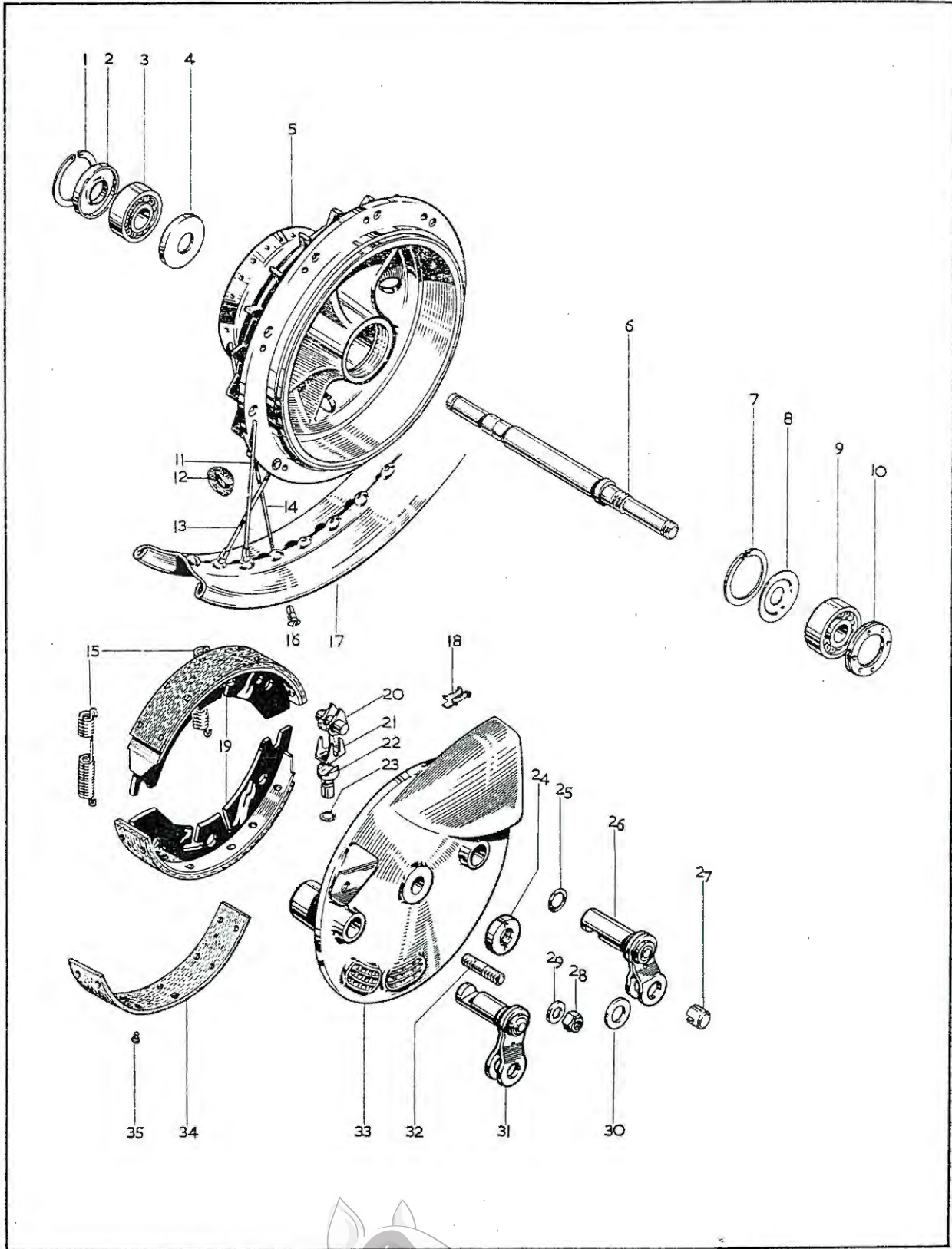


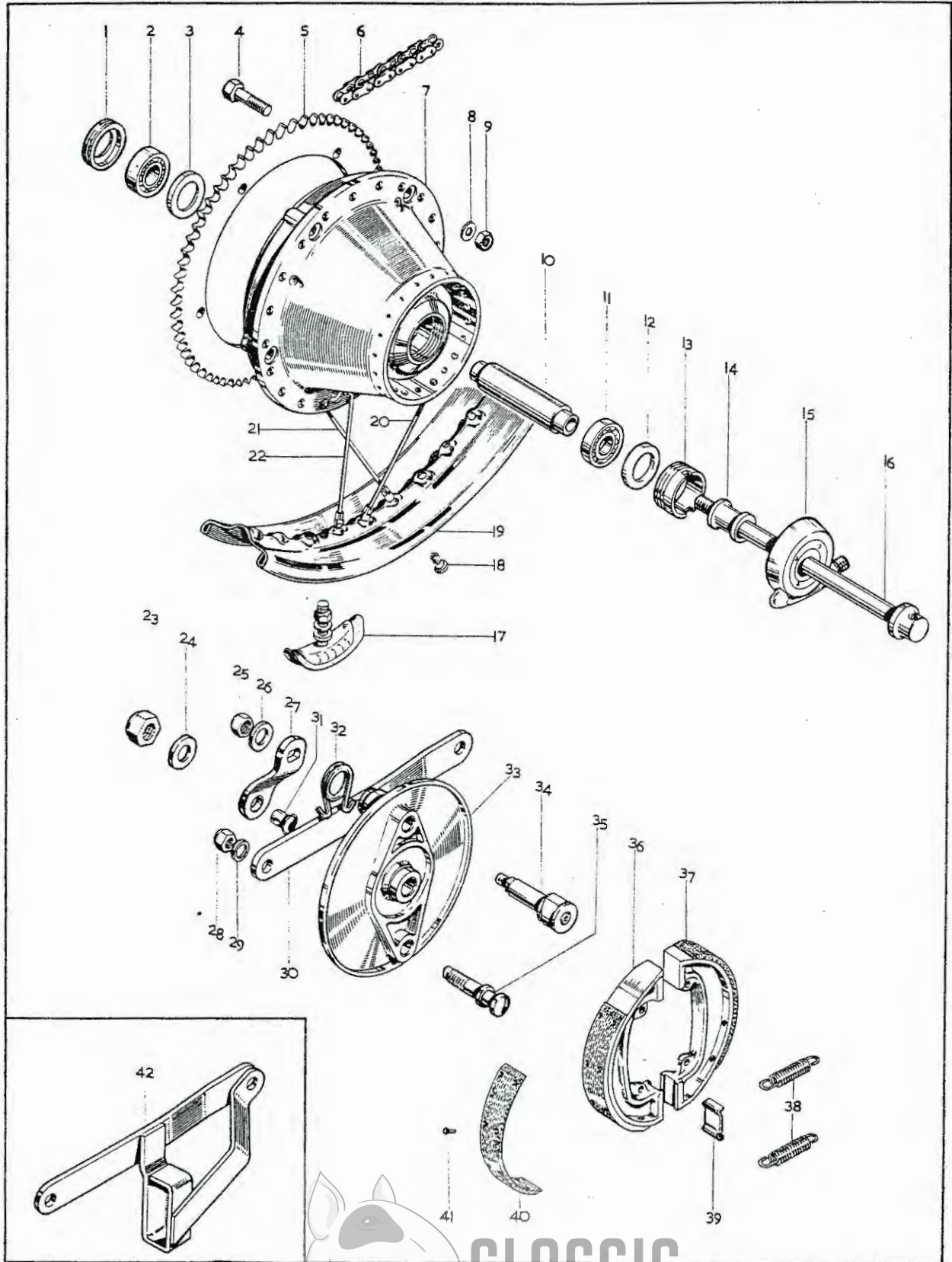
Plate 11

FRONT WHEEL 8" BRAKE

<i>Model</i>	<i>Plate Ref.</i>	<i>Spares Number</i>	<i>Description</i>	<i>Per Set</i>
H.	1.	57-0280	Circlip — grease retainer, left	1
H.	2.	37-1237	Grease retainer — left outer	1
H.	3.	37-0653	Bearing — left (Hoffmann 120)	1
H.	4.	37-1481	Grease retainer — left inner	1
H.	5.	37-3848	Hub with spindle and bearings	1
H.	6.	37-3796	Wheel spindle	1
H.	7.	60-2632	Circlip — grease retainer, right	1
H.	8.	37-3797	Grease retainer — right	1
H.	9.	37-0653	Bearing — right (Hoffmann 120)	1
H.	10.	37-3759	Lock ring — bearing	1
H.	11.	37-3817	Spoke — right, outer	10
H.	12.	60-2594	Grommet — brake drum	1
H.	13.	37-3816	Spoke — right, inner	10
H.	14.	37-3726	Spoke — left	20
H.	15.	19-7745	Spring — brake shoe	2
H.	16.	27-6810	Spoke nipple	40
H.	17.	37-3785	Wheel rim — WM2-18	1
H.	18.	19-7743	Abutment — micram adjuster (Lockheed 25241)	2
H.	19.	19-7744	Brake shoe complete (Lockheed 4523-166)	2
H.	20.	19-7742	Micram adjuster (Lockheed 3135-514)	2
H.	21.	19-7741	Cage — brake adjuster (Lockheed 25253)	2
H.	22.	37-3762	Tappet — brake cam	2
H.	23.	37-3761	'O' ring — brake tappet	2
H.	24.	37-3758	Locknut — wheel spindle	1
H.	25.	60-2639	'O' ring — brake cam	2
H.	26.	37-3913	Brake lever complete — front	1
H.	27.	37-3868	Bush — cable to levers	2
H.	28.	14-1803	Locknut — anchor plate to fork	1
H.	29.	37-2338	Washer — anchor plate to fork	1
H.	30.	67-0645	Washer — cable to lever bush	2
H.	31.	37-3914	Brake lever complete — rear	1
H.	32.	14-1636	Stud, anchor plate to fork	1
H.	33.	37-3655	Brake anchor plate	1
H.	34.	19-7466	Lining — brake shoe	2
H.	35.	19-7467	Rivet — brake shoe	10
H.		37-3932	Distance piece — front wheel spindle	1



Plate 12

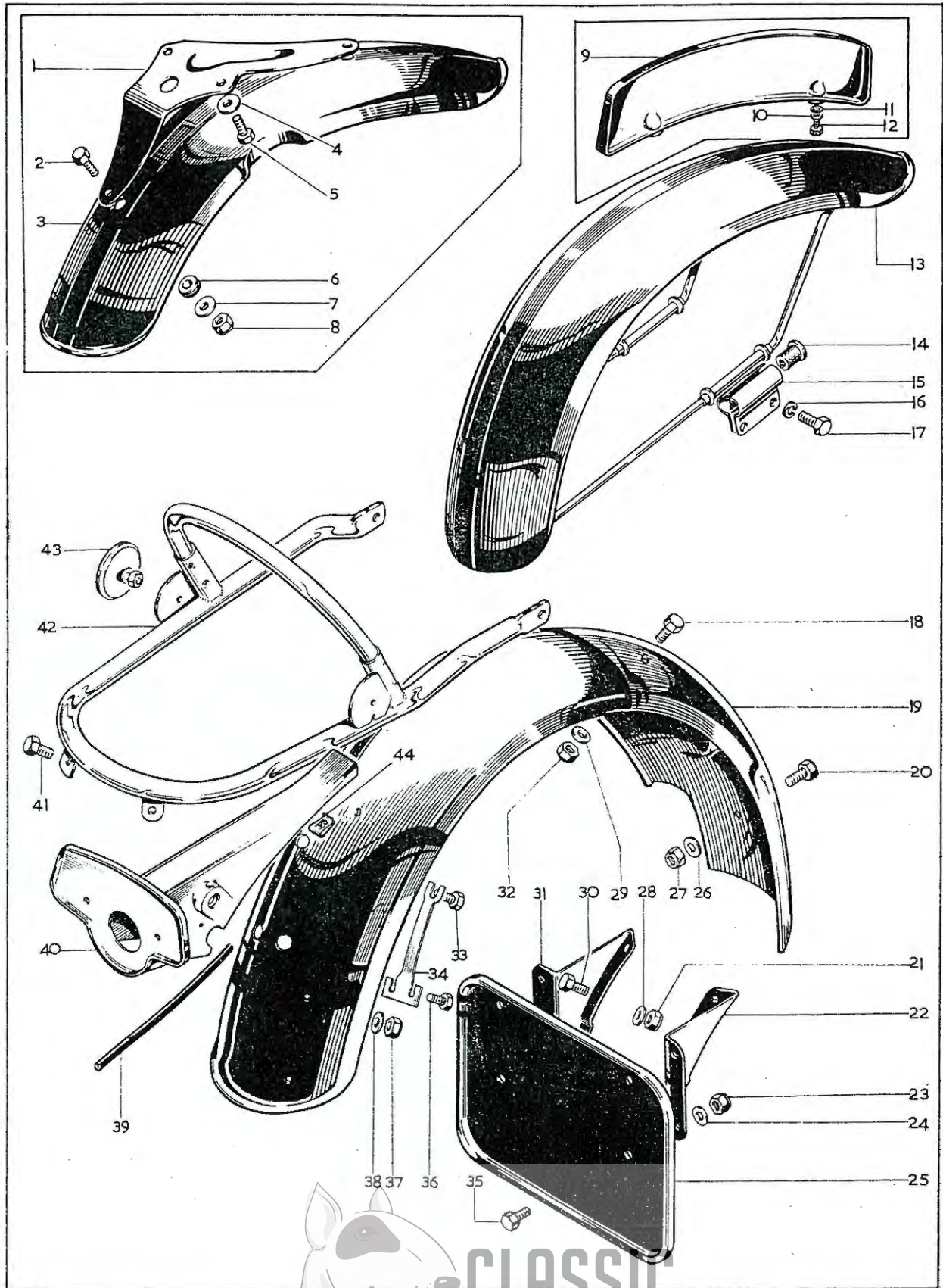


REAR WHEEL AND CHAIN GUIDE

Model	Plate Ref.	Spares Number	Description	Per Set
T.SS.H.	1.	37-3752	Lock ring — left	1
T.SS.H.	2.	37-0653	Bearing — left (Hoffmann 120)	1
T.SS.H.	3.	37-3749	Support ring — left	1
T.SS.H.	4.	14-0207	Bolt — sprocket to hub	5
T.SS.H.	5.	37-3741	Sprocket 52 teeth — rear wheel	1
T.SS.H.	6.	19-8698	Chain — rear ($\frac{3}{8}$ " \times $\frac{1}{4}$ " \times 106 pitches)	1
T.SS.H.	7.	37-3907	Hub — rear, with spindle and bearings	1
T.SS.H.	8.	60-2320	Washer — sprocket to hub	5
T.SS.H.	9.	14-1301	Nut — sprocket to hub	5
T.SS.H.	10.	37-3753	Spacer — bearing	1
T.SS.H.	11.	37-0653	Bearing — right (Hoffmann 120)	1
T.SS.H.	12.	37-1654	Grease retainer — right	1
T.SS.H.	13.	37-3751	Ring — speedometer drive	1
T.SS.H.	14.	37-3750	Distance piece — speedometer drive	1
T.	15.	19-9224	Speedometer drive — gearbox 21/10	1
SS.H.	15.	19-9223	Speedometer drive — gearbox 2/1	1
T.SS.H.	16.	37-3774	Spindle — rear wheel	1
T.	17.	37-3468	Security bolt	2
T.SS.H.	18.	27-6810	Spoke nipple	40
T.	19.	37-3784	Rim — (WM3 \times 18)	1
SS.H.	19.	37-3785	Rim — (WM2 \times 18)	1
T.SS.H.	20.	37-3726	Spoke — right	20
T.SS.H.	21.	37-3725	Spoke — left, outer	10
T.SS.H.	22.	37-3724	Spoke — left, inner	10
T.SS.H.	23.	14-1307	Nut — rear wheel spindle	1
T.SS.H.	24.	83-2266	Washer — rear wheel spindle	1
T.SS.H.	25.	14-1303	Nut — brake lever	1
T.SS.H.	26.	60-2331	Washer — brake lever	1
T.SS.H.	27.	37-3877	Brake lever	1
T.SS.H.	28.	14-1305	Nut — torque arm to brake pivot	1
T.SS.H.	29.	60-2333	Washer — torque arm to brake pivot	1
SS.H.	30.	83-2023	Torque arm	1
T.SS.H.	31.	37-1467	Brake rod pivot pin	1
T.SS.H.	32.	37-3880	Return spring — brake lever	1
T.SS.H.	33.	37-3857	Brake anchor plate	1
T.SS.H.	34.	37-3872	Brake cam	1
T.SS.H.	25.	37-3870	Brake pivot	1
T.SS.H.	36.	37-3925	Brake shoe complete (leading)	1
T.SS.H.	37.	37-3926	Brake shoe complete (trailing)	1
T.SS.H.	38.	65-5904	Spring — brake shoe	2
T.SS.H.	39.	41-6078	Brake pivot pad	2
T.SS.H.	40.	19-7740	Brake shoe lining	2
T.SS.H.	41.	42-5840	Rivet — brake shoe	16
T.	42.	83-2022	Torque arm and chain guide	1



CLASSIC
BIKE SPARES

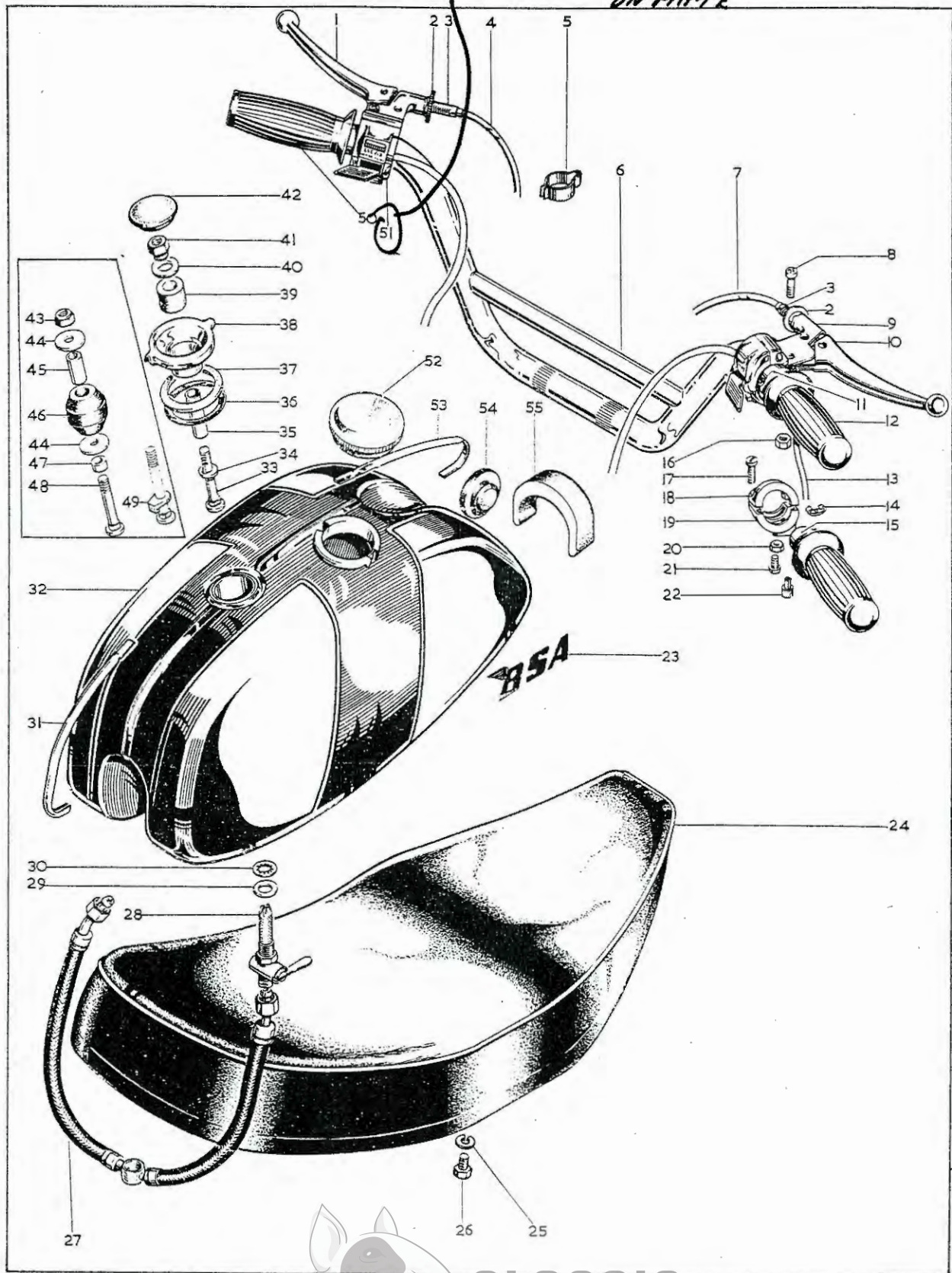


MUDGUARDS AND HANDRAIL

Model	Plate Ref.	Spares Number	Description	Per Set
T.	1.	97-4075	Bracket — front mudguard	1
T.	2.	14-0114	Bolt — mudguard to bracket ($\frac{5}{16}$ " U.N.F. \times $\frac{1}{4}$ ")	2
T.	3.	97-4154	Front mudguard complete	1
T.	4.	60-2348	Washer — bracket to bottom yoke ($2\frac{1}{64}$ " \times $\frac{1}{2}$ " \times $3\frac{64}{64}$ ")	2
T.	5.	14-6114	Bolt — bracket to bottom yoke ($\frac{5}{16}$ " U.N.C. \times $\frac{1}{2}$ ")	2
T.	6.	60-3242	Grommet — mudguard fixing	2
T.	7.	60-2348	Washer — bracket to mudguard ($2\frac{1}{64}$ " \times $\frac{1}{2}$ " \times $3\frac{64}{64}$ ")	2
T.	8.	14-1302	Locknut — bracket to mudguard ($\frac{5}{16}$ " U.N.F.)	2
H.	9.	83-2834	Front number plate	1
H.	10.	90-6219	Washer — front number plate fixing	2
H.	11.	60-3398	Neoprene washer — front number plate fixing	2
H.	12.	40-3044	Screw — front number plate fixing	2
H.	13.	97-4127	Front mudguard complete	1
SS.	13.	97-4052	Front mudguard complete	1
SS.H.	14.	97-4021	Rubber bush — mudguard stay	4
SS.H.	15.	97-4022	Bracket — mudguard stay to fork	4
SS.H.	16.	60-2427	Lockwasher — mudguard stay	4
SS.H.	17.	14-0103	Bolt — mudguard stay ($\frac{1}{4}$ " U.N.F. \times $\frac{1}{2}$ ")	4
T.SS.H.	18.	14-0101	Bolt — mudguard to frame ($\frac{1}{4}$ " U.N.F. \times $\frac{1}{2}$ ")	4
T.SS.H.	19.	83-2263	Rear mudguard	1
T.SS.H.	20.	14-0101	Bolt — mudguard fixing ($\frac{1}{4}$ " U.N.F. \times $\frac{1}{2}$ ")	1
T.SS.H.	21.	14-1301	Locknut — bracket to mudguard, lower ($\frac{1}{4}$ " U.N.F.)	2
T.SS.H.	22.	83-2728	Bracket — number plate mounting	1
T.SS.H.	23.	14-1301	Locknut — number plate mounting ($\frac{1}{4}$ " U.N.F.)	4
T.SS.H.	24.	60-2329	Washer — number plate mounting ($1\frac{7}{64}$ " \times $\frac{9}{16}$ " \times $\frac{1}{32}$ ")	4
T.SS.H.	25.	83-2726	Rear number plate	1
T.SS.H.	26.	27-8560	Washer — mudguard fixing ($1\frac{7}{64}$ " \times $\frac{9}{16}$ " \times $3\frac{64}{64}$ ")	1
T.SS.H.	27.	14-1301	Locknut — mudguard fixing ($\frac{1}{4}$ " U.N.F.)	1
T.SS.H.	28.	60-2329	Washer — bracket to mudguard, lower ($1\frac{7}{64}$ " \times $\frac{9}{16}$ " \times $\frac{1}{32}$ ")	2
T.SS.H.	29.	27-8560	Washer — mudguard to frame ($1\frac{7}{64}$ " \times $\frac{9}{16}$ " \times $3\frac{64}{64}$ ")	4
T.SS.H.	30.	14-0101	Bolt — bracket to mudguard, lower ($\frac{1}{4}$ " U.N.F. \times $\frac{1}{2}$ ")	2
T.SS.H.	31.	83-2727	Bracket — number plate mounting	1
T.SS.H.	32.	14-1301	Locknut — mudguard to frame ($\frac{1}{4}$ " U.N.F.)	4
T.SS.H.	33.	14-6101	Bolt — lamp mounting bracket, front fixing ($\frac{1}{4}$ " U.N.C. \times $\frac{1}{2}$ ")	1
T.SS.H.	34.	83-3254	Triple "cee" washer — lamp bracket to mudguard	1
T.SS.H.	35.	14-0101	Bolt — number plate fixing ($\frac{1}{4}$ " U.N.F. \times $\frac{1}{2}$ ")	4
T.SS.H.	36.	14-0101	Bolt — lamp mounting bracket rear fixing ($\frac{1}{4}$ " U.N.F. \times $\frac{1}{2}$ ")	2
T.SS.H.	37.	14-1301	Nut — support rail and number plate bracket ($\frac{1}{4}$ " U.N.F.)	2
T.SS.H.	38.	27-8560	Washer — support rail and number plate bracket ($1\frac{7}{64}$ " \times $\frac{9}{16}$ " \times $\frac{1}{32}$ ")	2
T.SS.H.	39.	83-3212	Rubber beading — lamp mounting bracket	1
T.SS.H.	40.	83-2693	Bracket — rear lamp mounting	1
T.SS.H.	41.	14-0102	Bolt — support rail and number plate bracket ($\frac{1}{4}$ " U.N.F. \times $\frac{5}{8}$ ")	2
T.SS.H.	42.	83-3174	Support rail — rear mudguard	1
T.SS.H.	43.	19-1339	Reflector — rear, side	2
T.SS.H.	44.	60-3313	Spire nut — rear lamp mounting bracket	1
SS.		97-2270	Brake cable retainer — front mudguard (not illustrated)	1
SS.		82-8245	Starlock washer — brake cable retainer fixing (not illustrated)	1

For colour finish code refer to page 5.

PARTS CAN BE BOUGHT
SEPERATE
ON PLATE



PETROL TANK, TWINSEAT AND CONTROLS

Model	Plate Ref.	Spares Number	Description	Per Set
		B.S.A. NO. MAKERS NO.		
T.	1.	60-2627	Lever — clutch control	
SS.H.	1.	61-3144	Lever — clutch control	
T.SS.H.	2.	60-2072	Adjuster nut — control cables	2
T.SS.H.	3.	60-2071	Adjuster — control cables	2
T.SS.	4.	60-2083	Clutch cable	
H.	4.	60-2082	Clutch cable	
T.SS.H.	5.	97-4112	Cable clip	4
T.	6.	97-4062	Handlebar	
SS.H.	6.	97-4173	Handlebar	
H.	7.	60-3075	Cable — front brake	
T.SS.	7.	60-3390	Cable — front brake	
T.SS.H.	8.	21-2048	Pivot pin — control levers	2
T.SS.H.	9.	19-1332 39596	Switch assembly — right hand	
T.	10.	60-2628	Lever — front brake	
SS.H.	10.	60-3743	Lever — front brake	
T.SS.H.	11.	19-7223	Throttle control	
T.SS.H.	12.	19-7222	Rubber grip — right handlebar	
T.SS.H.	13.	40-8657	Cable — throttle control	
T.SS.H.	14.	16/008	Friction spring	
T.SS.H.	15.	16/091	Rotor — throttle control	
T.SS.H.	16.	14-1301	Nut — self locking $\frac{1}{4}$ " U.N.F. — pivot pin	2
T.SS.H.	17.	11/013	Clamp screw	2
T.SS.H.	18.	16/328	Body — top half	
T.SS.H.	19.	16/329	Body — bottom half	
T.SS.H.	20.	16/010	Nut — friction screw	
T.SS.H.	21.	16/009	Screw — friction spring	
T.SS.H.	22.	16/011	Cable stop — throttle control	
T.SS.H.	23.	60-3158	Transfer — petrol tank	2
T.SS.	24.	83-2621	Twinseat	
H.	24.	83-3198	Twinseat	
T.SS.H.	25.	60-2428	Spring washer — seat bolt ($\frac{39}{64}$ " \times $\frac{11}{32}$ " \times $\frac{1}{8}$ ")	2
T.SS.H.	26.	14-0113	Bolt — seat fixing ($\frac{1}{4}$ " U.N.F. \times $\frac{1}{8}$ ")	2
T.SS.H.	27.	83-3040	Petrol pipe	
T.SS.H.	28.	83-2800	Petrol tap	
T.SS.H.	28.	83-2801	Petrol tap — reserve	

For colour finish code refer to Page 3

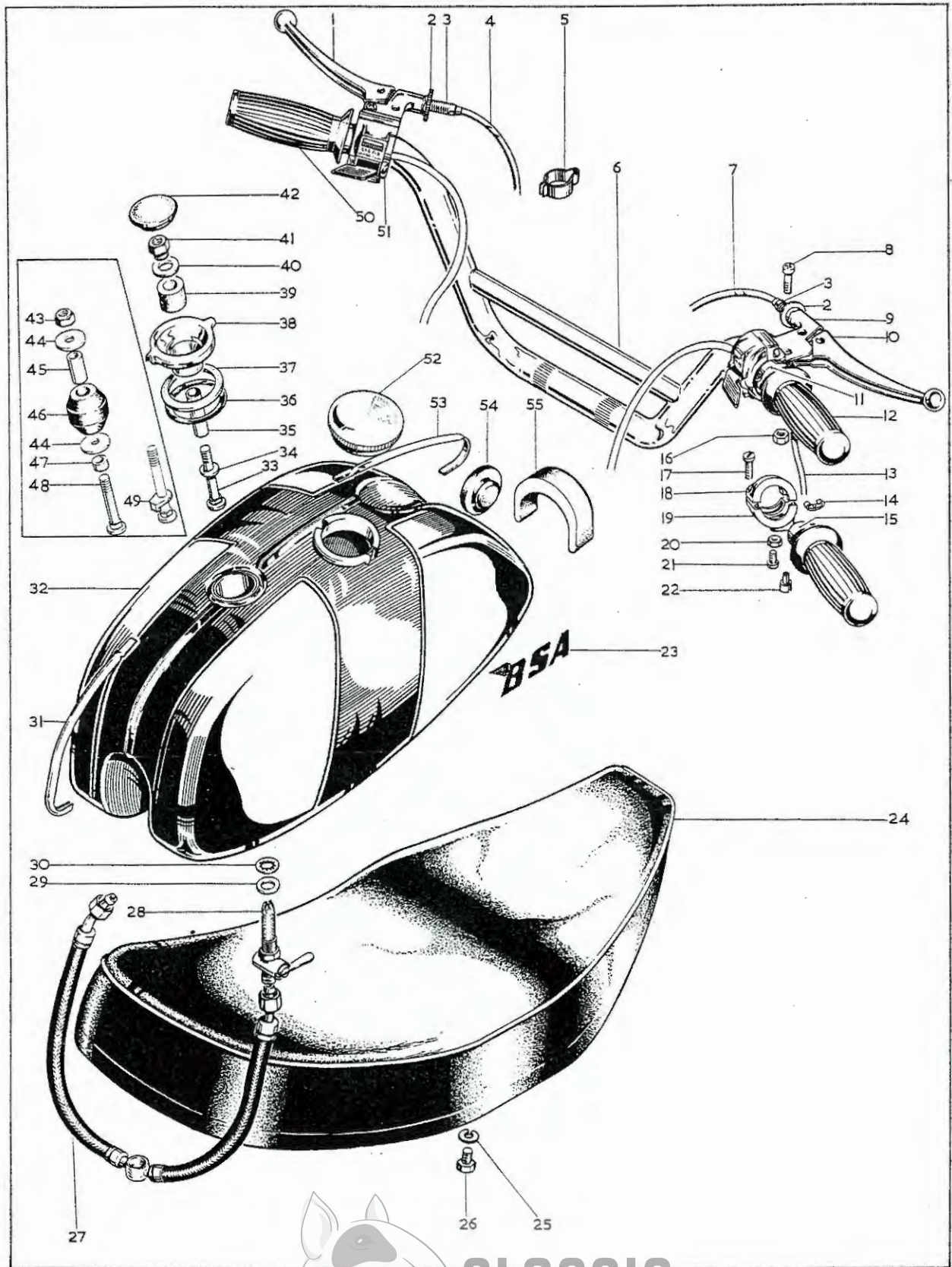


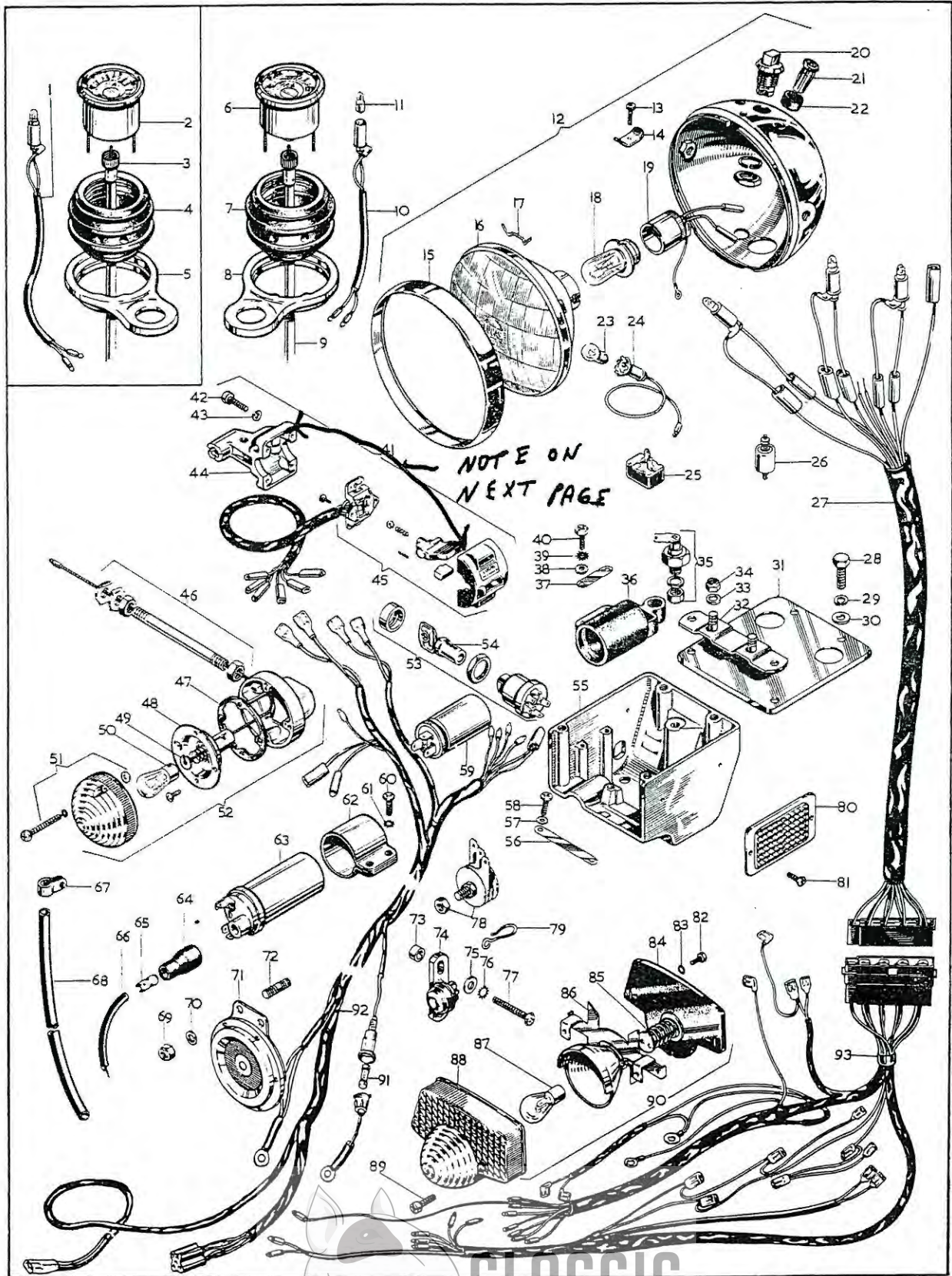
Plate 14—Continued

PETROL TANK, TWINSEAT AND CONTROLS

Model	Plate Ref.	Spares Number	Description	Per Set
		B.S.A. NO. MAKERS NO.		
T.SS.H.	29.	83-0002	Washer — petrol tap	2
T.SS.H.	30.	70-7351	Sealing washer — petrol tap	2
H.	31.	83-3180	Trim strip — petrol tank rear	
SS.	31.	83-3056	Trim strip — petrol tank rear	
T.	32.	83-2652	Petrol tank	
H.	32.	83-2998	Petrol tank	
SS.	32.	83-3050	Petrol tank	
H.	33.	83-3042	Bolt — petrol tank centre fixing	
SS.	33.	83-2776	Bolt — petrol tank centre fixing	
SS.H.	34.	02-0370	Washer — petrol tank centre fixing (15/64" × 37/64" × 3/64")	
H.	35.	41-8011	Distance tube — petrol tank centre (11/32" × 15/32" × 2 3/8")	
SS.	35.	40-8066	Distance tube — petrol tank centre (11/32" × 15/32" × 1 3/4")	
SS.H.	36.	68-8013	Rubber ring — petrol tank mounting	
SS.H.	37.	68-8019	Mounting ring — petrol tank centre	
SS.H.	38.	82-9782	Trim strip holder	
SS.H.	39.	42-8017	Mounting rubber — petrol tank centre	
SS.H.	40.	68-8016	Washer — petrol tank centre bolt (29/64" × 29/52" × 3/32")	
SS.H.	41.	21-1999	Nut — petrol tank centre bolt	
SS.H.	42.	83-3068	Grommet — petrol tank centre	
T.	42.	83-3069	Grommet — petrol tank centre	
T.	43.	14-1302	Nut — petrol tank centre bolt (5/16" U.N.F.)	
T.	44.	03-0101	Washer — petrol tank centre bolt (21/64" × 1 1/8" × 3/32")	2
T.	45.	76-4120	Distance tube — petrol tank centre (11/32" × 7/16" × 1")	
T.	46.	40-8085	Mounting rubber — petrol tank centre	
T.	47.	82-3017	Distance collar — petrol tank centre	
T.	48.	83-2776	Bolt — petrol tank centre fixing	
T.	49.	82-9795	Tapered washer — petrol tank centre bolt	
T.SS.H.	50.	19-7221	Rubber grip — left handlebar	
T.SS.H.	51.	19-1333 39595	Switch assembly — left handlebar	
SS.H.	52.	82-3220	Filler cap — petrol tank	
T.	52.	83-1547	Filler cap — petrol tank	
S.S.	53.	83-3055	Trim strip — front	
H.	53.	83-3179	Trim strip — front	
T.SS.H.	54.	82-9222	Rubber — petrol tank anti roll	
T.SS.H.	55.	83-2980	Rubber — petrol tank front	

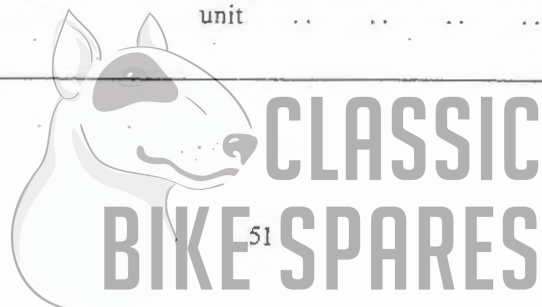
For colour finish code refer to Page 3

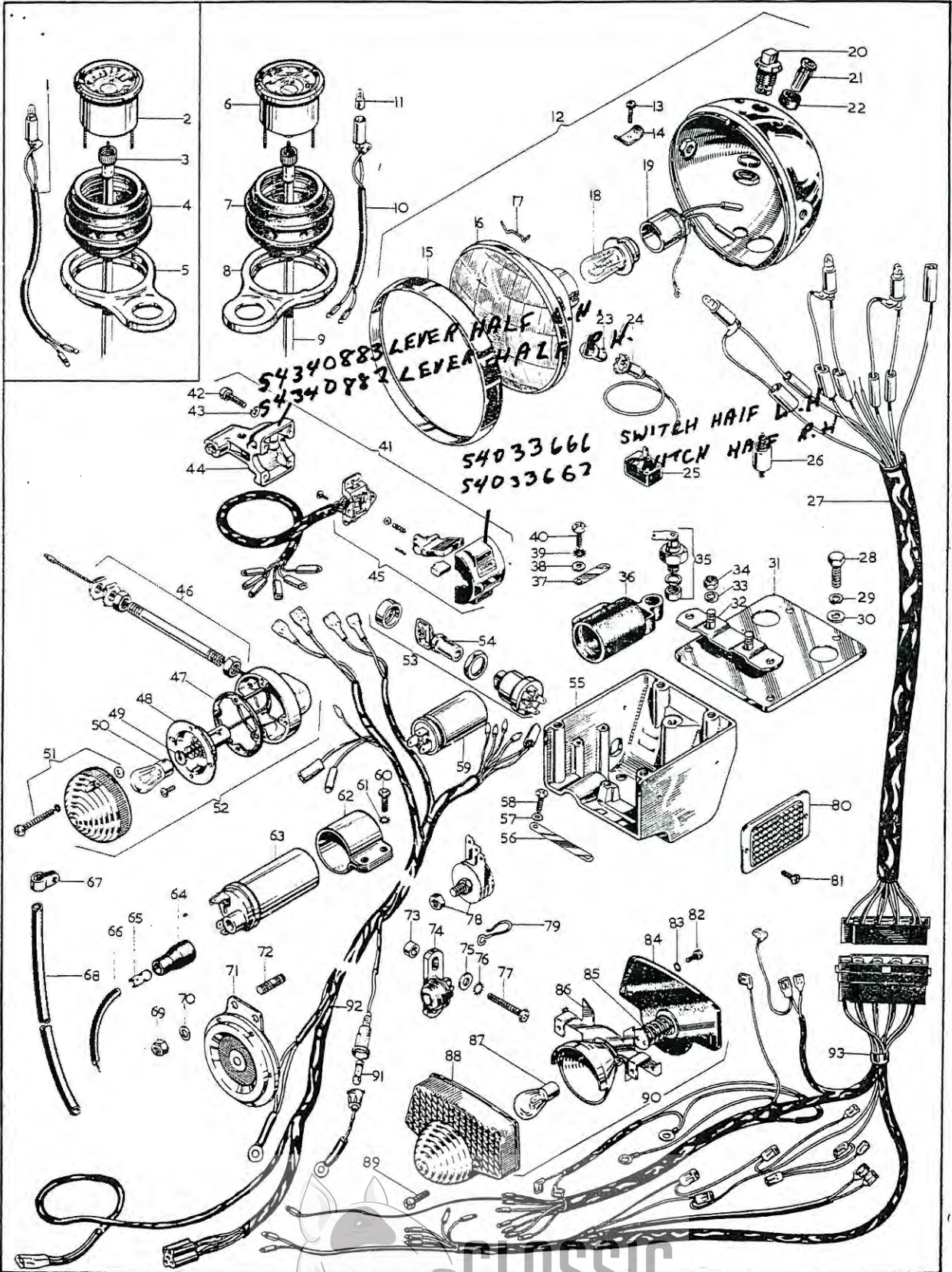




ELECTRICAL EQUIPMENT

Model	Plate Ref.	Spares Number		Description	Per Set
		B.S.A. NO.	MAKERS NO.		
T.S.S.H.	1.	19-9102	54959625	Light lead — tachometer 60 mm. (optional extra) ..	1
T.S.S.H.	2.	19-9104†		Tachometer — 60 mm. (optional extra)	1
T.S.S.H.	3.	19-9103		Cable — tachometer drive (optional extra)	1
T.S.S.H.	4.	60-2596		Rubber cup — tachometer 60 mm. (optional extra) ..	1
T.S.S.H.	5.	97-4023		Mounting bracket — tachometer 60 mm.(optional extra)	1
T.	6.	19-8958		Speedometer 80 mm.	1
SS.H.	6.	19-8954	SSM2001/C7	Speedometer — 60 mm.	1
SS.H.	7.	60-2596		Rubber cup — speedometer 60 mm.	1
T.	7.	60-2600		Rubber cup — speedometer 80 mm.	1
T.S.S.H.	8.	97-4023		Mounting bracket — speedometer 60 mm.	1
T.S.S.H.	9.	19-9095		Cable — speedometer drive	1
T.S.S.H.	10.	19-9102	54959625	Light lead — speedometer 60 mm.	1
T.S.S.H.	11.			Bulb — speedometer and tachometer	1
T.S.S.H.	11.		281	Bulb — warning lights	4
T.S.S.H.	12.	19-1094	60262	Headlamp — complete	1
T.S.S.H.	13.		144921	Screw — headlamp rim fixing	1
T.S.S.H.	14.		534296	Plate — headlamp rim fixing	1
T.S.S.H.	15.		553343	Headlamp rim	1
T.S.S.H.	16.	19-1088	54525272	Light unit — headlamp	1
T.S.S.H.	17.		504665	Wire clip — light unit fixing	6
T.S.S.H.	18.			Bulb — standard main	1
T.S.S.H.	18.	19-1064	371	Bulb — main for France	1
T.S.S.H.	19.		554602	Bulb holder — main	1
T.S.S.H.	20.	19-1095	31276	Lighting switch	1
T.S.S.H.	21.		54363454	Ignition warning light body — red	1
T.S.S.H.	21.		54363455	Main beam warning light body — green	1
T.S.S.H.	21.		54363453	Direction indicator warning light body — amber ..	1
T.S.S.H.	22.		54525212	Rubber cup — warning lights	2
T.S.S.H.	23.		989	Bulb — pilot	1
T.S.S.H.	24.		54573590	Bulb holder — pilot	1
T.S.S.H.	25.	19-1079	35048	Flasher unit 8FL.	1
T.S.S.H.	26.	19-1847	54420128	Condenser	1
T.S.S.H.	27.	19-1096	54959532	Harness — headlamp to electrical box	1
T.S.S.H.	28.	14-6101		Bolt — electrical box cover ($\frac{1}{4}$ " U.N.C. \times $\frac{1}{2}$ ") ..	4
T.S.S.H.	29.	60-2427		Spring washer — electrical box cover	4
T.S.S.H.	30.	02-0525		Plain washer — electrical box cover	4
T.S.S.H.	31.	83-2678		Top cover — electrical box	1
T.S.S.H.	32.	83-2718		Bracket — electrical box rear fixing	1
T.S.S.H.	33.	76-0012		Washer — electrical box bracket ($\frac{21}{64}$ " \times $\frac{9}{16}$ " \times $\frac{3}{32}$ ")	2
T.S.S.H.	34.	14-1302		Nut — electrical box bracket ($\frac{5}{16}$ " U.N.F.)	2
T.S.S.H.	35.	19-1735	49345	Zener diode	1
T.S.S.H.	36.	19-1077	54422860	Rubber moulding — condenser, capacitor and flasher unit	1

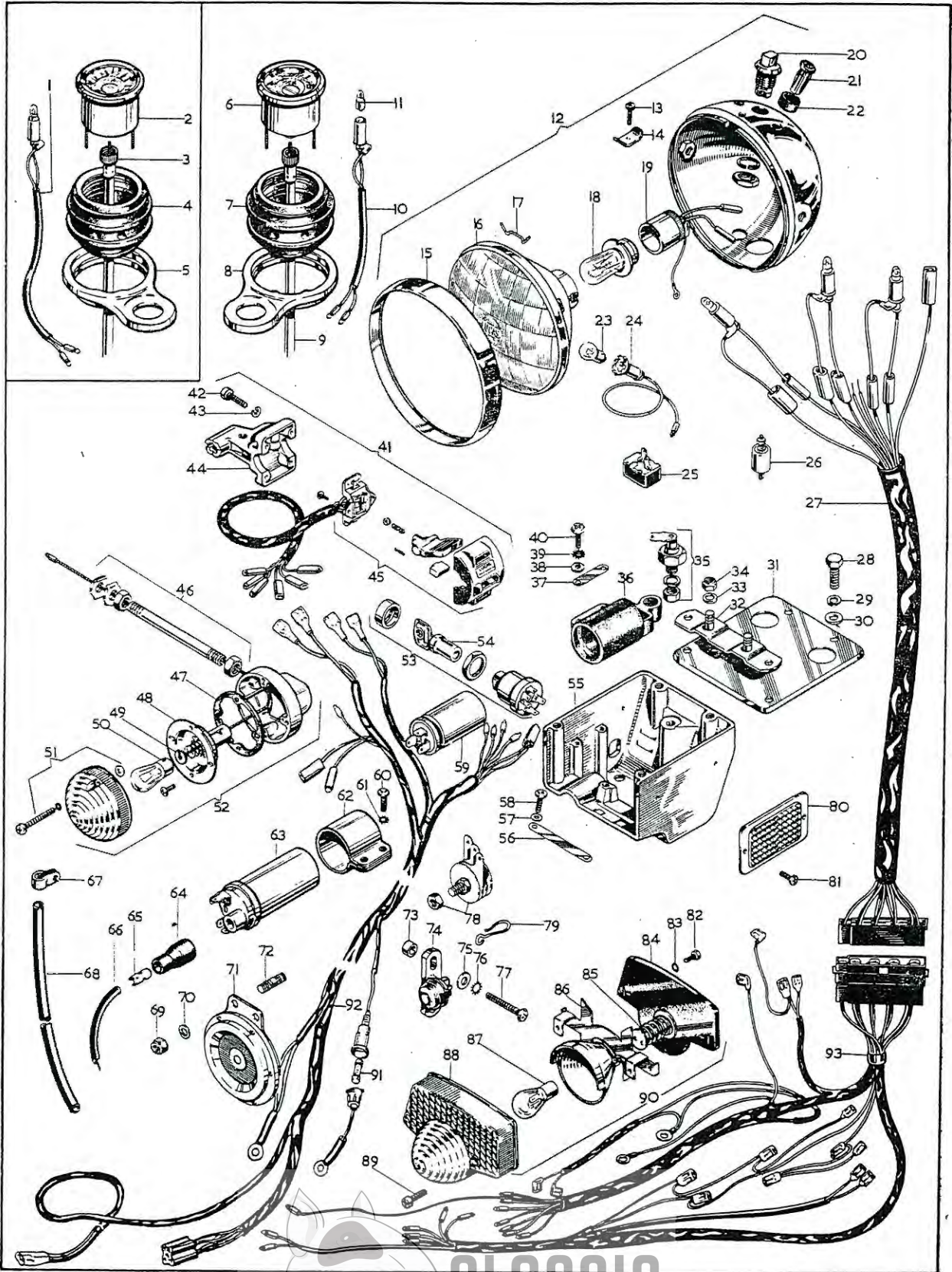




ELECTRICAL EQUIPMENT

Model	Plate Ref.	Spares Number	Description	Per Set
		B.S.A. NO. MAKERS NO.		
T.S.S.H.	37.	83-2669	Plate — capacitor support	1
T.S.S.H.	38.	76-0293	Plain washer — capacitor moulding (13/64" × 3/8" × 1/32")	2
T.S.S.H.	39.	29-3319	Shakeproof washer — capacitor moulding	2
T.S.S.H.	40.	21-2067	Screw — capacitor moulding	2
T.S.S.H.	41.	19-1332 39596	Switch assembly — right handlebar	1
T.S.S.H.	41.	19-1333 39595	Switch assembly — left handlebar	1
T.S.S.H.	42.	54115246	Screw — handlebar switch	8
T.S.S.H.	43.		Washer — handlebar switch	8
T.S.S.H.	44.	19-1335 54340881	Lever half — switch assembly left and right	2
T.S.S.H.	45.	19-1337 54033667	Switch half — switch assembly, right	1
T.S.S.H.	45.	19-1334 54033666	Switch half — switch assembly, left	1
T.S.S.H.	46.	19-1071 54582415	Tube — flasher lamp mounting, front	2
T.S.S.H.	46.	19-1072 54582414	Tube — flasher lamp mounting, rear	2
T.S.S.H.	47.	54580300	Gasket — flasher lamp	4
T.S.S.H.	48.	554548	Bulb holder — flasher lamp	4
T.S.S.H.	49.	573832	Interior assembly — flasher lamp	4
T.S.S.H.	50.	382	Bulb — flasher lamp	4
T.S.S.H.	51.	19-1068 45581638	Lens assembly	4
T.S.S.H.	52.	19-1067 56147	Flasher lamp — complete	4
T.S.S.H.	53.	19-1904 39565	Switch — ignition and lighting	1
T.S.S.H.	54.	82-6981 1-6280	Lock and key — ignition and lighting switch	1
T.S.S.H.	55.	83-2679	Electrical box	1
T.S.S.H.	56.	83-2670	Terminal clamp strip	1
T.S.S.H.	57.	76-0293	Washer — terminal clamp strip (13/64" × 3/8" × 1/32")	2
T.S.S.H.	58.	21-1930	Screw — terminal clamp strip	2
T.S.S.H.	59.	19-1858 54170009	Capacitor	2
T.S.S.H.	60.	21-2067	Screw — coil fixing	2
T.S.S.H.	61.	29-3319	Shakeproof washer — coil fixing	2
T.S.S.H.	62.	54419974	Coil clamp	1
T.S.S.H.	63.	19-1881 45221	Coil — ignition	1
T.S.S.H.	64.	54949011	Rubber grommet — H.T. lead	1
T.S.S.H.	65.	421863	Clip — H.T. lead contact	1
H.	66.	54956466	High tension lead	1
T.S.S.	66.	54956424	High tension lead	1
T.S.S.H.	67.	66-8340	Clip — battery vent pipe	1
T.S.S.H.	68.	68-9163	Vent pipe — battery	1
T.S.S.H.	69.	14-1301	Nut — horn fixing	2
T.S.S.H.	70.	02-0525	Washer — horn fixing stud	2
T.S.S.H.	71.	19-2084 70216	Horn — 6H high note	1
T.S.S.H.	72.	14-1601	Stud — horn fixing	2





ELECTRICAL EQUIPMENT

<i>Model</i>	<i>Plate Ref.</i>	<i>Spares Number</i>	<i>Description</i>	<i>Per Set</i>
		B.S.A. NO. MAKERS NO.		
T.S.S.H.	73.	82-4366	Distance piece — stop switch mounting
T.S.S.H.	74.	19-0916 34815	Stop switch — rear, 118SA
T.S.S.H.	75.	90-6219	Washer — stop switch fixing
T.S.S.H.	76.	60-2426	Spring washer — stop switch fixing
T.S.S.H.	77.	21-5356	Screw — stop switch fixing
T.S.S.H.	78.	19-1715 49072	Rectifier
T.S.S.H.	79.	47-9030	Clip — stop switch cable
T.S.S.H.	80.	19-1338 57160	Reflector — front	2
T.S.S.H.	81.	21-2073	Screw — reflector fixing	4
T.S.S.H.	82.	110714	Screw — rear lamp fixing	2
T.S.S.H.	83.	188330	Washer — rear lamp fixing screw	2
T.S.S.H.	84.	54571677	Gasket — rear lamp lens backing	1
T.S.S.H.	85.	573828	Interior bulb holder — rear lamp
T.S.S.H.	86.	54525286	Base plate — rear lamp
T.S.S.H.	87.	380	Bulb — rear lamp
T.S.S.H.	88.	54577109	Lens — rear lamp
T.S.S.H.	89.	144921	Screw — lens fixing	2
T.S.S.H.	90.	19-1245 53973	Rear lamp complete
T.S.S.H.	91.	19-1249 188218	Fuse — main harness (35 amp.)
T.S.S.H.	92.	19-1075 54959480	Main harness
T.S.S.H.	93.	19-1080 54959680	Harness — electrical box
T.S.S.H.		19-1776 54027029	Battery (not illustrated)
T.S.S.H.		60-3371	Cable clips — colour grey (not illustrated)	6
T.S.S.H.		60-3372	Cable clips — colour grey (not illustrated)	6

†See page 5 for tachometer kit complete.

Note:—Where no B.S.A. part number is quoted, the part is only available from the maker.



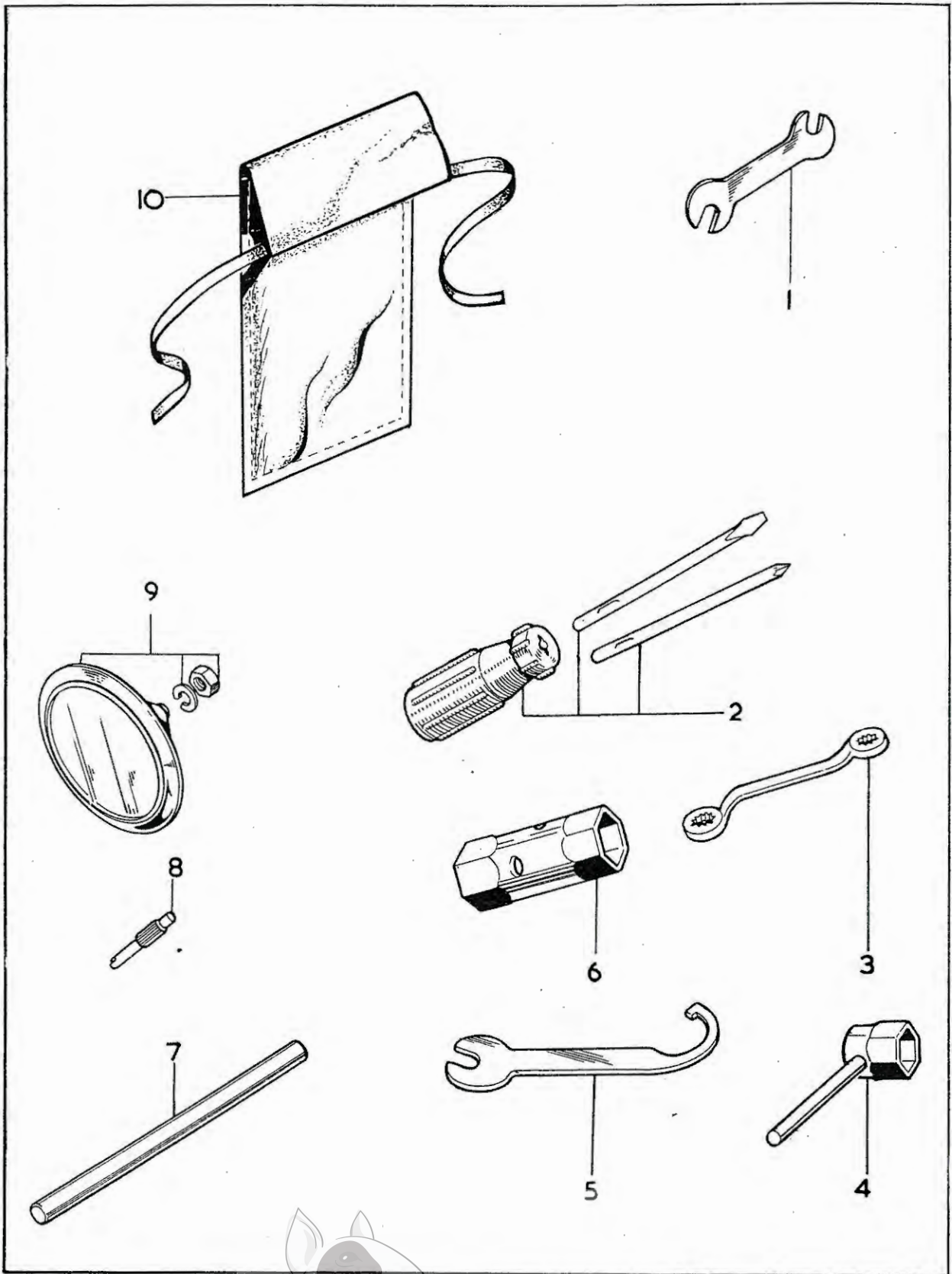
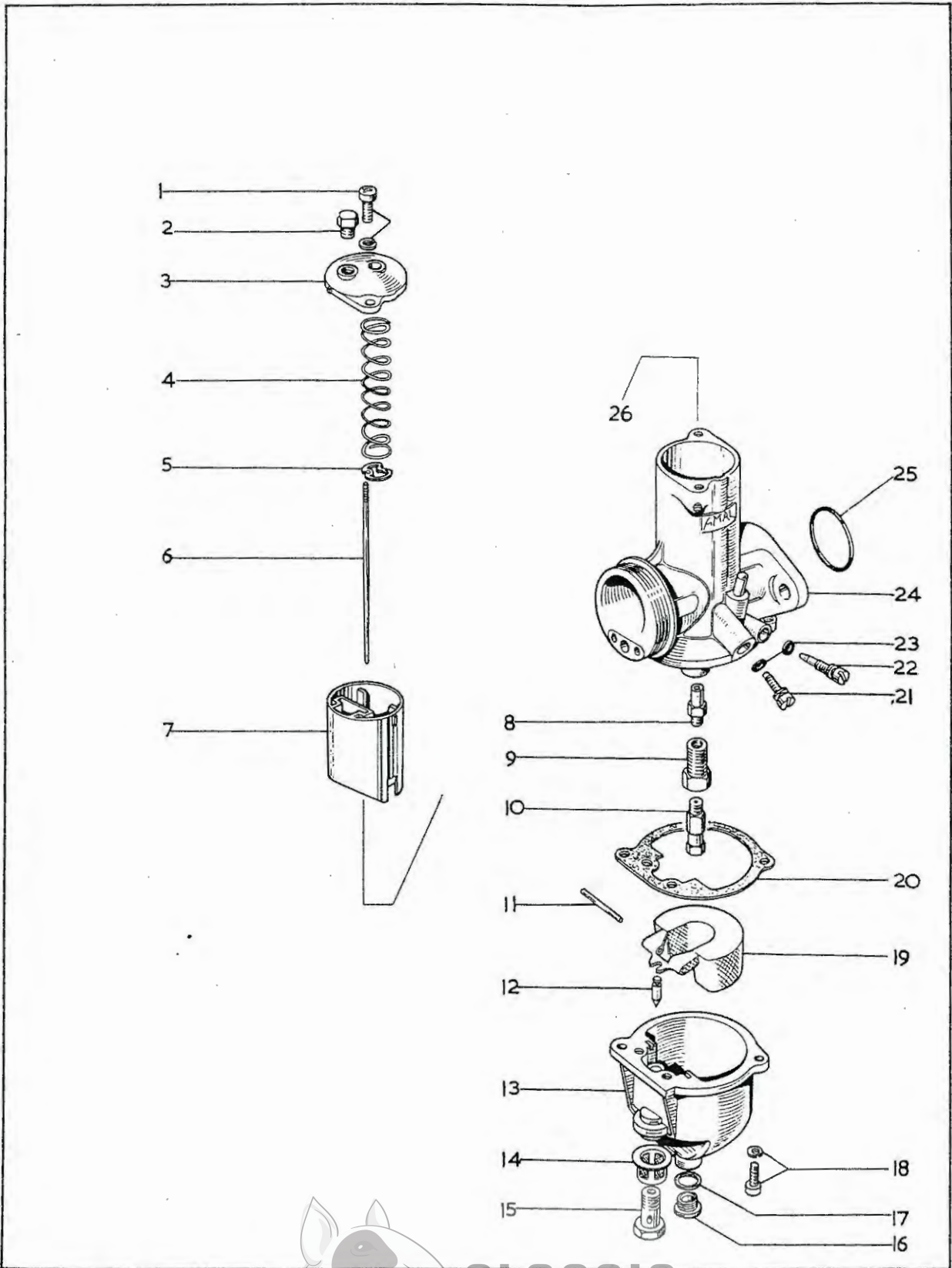


Plate 16

TOOLS

<i>Model</i>	<i>Plate Ref.</i>	<i>Spares Number</i>	<i>Description</i>	<i>Per Set</i>
T.SS.H.	1.	65-9132	Spanner	1
T.SS.H.	2.	60-0767	Screwdriver set	1
T.	3.	67-9026	Ring spanner	1
H.	4.	60-1050	Plug spanner	1
T.SS.H.	5.	60-2184	Damper unit 'C' spanner	1
T.SS.H.	6.	40-9017	Box spanner	1
T.SS.H.	7.	60-1911	Tommy bar	1
T.SS.H.	8.	68-9467	Tyre valve key	1
H.	9.	42-9273	Licence holder complete	1
T.SS.H.	10.	75-9089	Tool roll	1
T.SS.H.		60-2114	Tool roll complete with tools	1





CARBURETTER

<i>Model</i>	<i>Plate Ref.</i>	<i>Spares Number</i>		<i>Description</i>	<i>Per Set</i>
		B.S.A. NO.	MAKERS NO.		
T.S.S.H.	1.	19-3093	622/086	Screw and washer — top cap	2
T.S.S.H.	2.		4/173A	Screw plug — top cap	1
T.S.S.H.	3.		928/097	Cap — mixing chamber	1
T.S.S.H.	4.	19-3141	622/131	Spring — throttle	1
T.S.S.H.	5.	19-3095	622/067	Clip — throttle needle	1
T.S.S.H.	6.	19-3137	622/124	Needle — throttle	1
T.S.S.H.	7.	19-3108	928/060	Throttle slide (No. 3½ cut-away)	1
T.S.S.H.	8.	19-3136	622/122	Needle jet (.106)	1
T.S.S.H.	9.		622/128	Jet holder	1
T.S.S.H.	10.	19-2877	376/100	Main jet — 190 cc.	1
T.S.S.H.	11.		622/071	Float spindle	1
T.S.S.H.	12.	19-3105	622/068	Float needle	1
T.S.S.H.	13.		622/055	Float chamber	1
T.S.S.H.	14.	19-3048	376/093	Petrol filter	1
T.S.S.H.	15.	19-3103	622/078	Banjo bolt	1
T.S.S.H.	16.		622/147	Drain plug	1
T.S.S.H.	17.		622/151	Washer — drain plug	1
T.S.S.H.	18.	19-3093	622/086	Screw and washer — float chamber to body	2
T.S.S.H.	19.	19-3102	622/069	Float	1
T.S.S.H.	20.	19-3106	622/073	Gasket — float chamber	1
T.S.S.H.	21.		622/077	Screw and throttle stop	1
T.S.S.H.	22.		622/076	Adjusting screw — pilot air	1
T.S.S.H.	23.	19-3098	622/082	'O' ring — pilot air and throttle stop screws	2
T.S.S.H.	24.		R928	Carburetter body	1
T.S.S.H.	25.	19-3090	622/101	'O' ring — carburetter flange	1
T.S.S.H.		19-2432	R928/20	Carburetter complete	1
T.S.S.H.		71-1860		Adaptor ring — carburetter to air intake	1

Note:— Where no B.S.A. part number is quoted, the part is only available from the makers.

