

20-10175C



# Rocket

MODEL A75



## SPARE PARTS LIST



CLASSIC  
BIKE SPARES

FROM ENGINE AND FRAME Nos. HD.00101.A75R.



CATALOGUE OF



FOR MODEL A75

**ROCKET 3**

ISSUED BY

**B.S.A. MOTOR CYCLES LTD.**

Service Department, Armoury Road,  
Birmingham 11, England.

TELEPHONE  
TELEGRAMS

021-772-2381  
"SELMOTO" BIRMINGHAM

WESTERN U.S.A.:  
**B.S.A. MOTORCYCLES—WESTERN**  
2745 E. HUNTINGTON DRIVE,  
DUARTE, CALIFORNIA 91010.

EASTERN U.S.A.:  
**B.S.A. INCORPORATED**  
639 PASSAIC AVENUE,  
NUTLEY, NEW JERSEY, 07110.



**CLASSIC  
BIKE SPARES**

# Please Note!

Replacement parts or accessories must be of B.S.A. origin or as approved by B.S.A. Motor Cycles Ltd.

In this respect your attention is drawn to the Terms and Conditions of B.S.A. Guarantee.



## SUFFIX NUMBERS TO BE USED TO IDENTIFY VARYING FINISHES

When ordering components with varying finishes, please state finish required by adding the appropriate number to part number.

### EXAMPLE:

Petrol tank, flamboyant red 82-8391/170.

### PETROL TANKS

Blue centre, white lining, chrome panels .. .. .	/268
Flamboyant red, chrome kneegrip, white lining .. .. .	/277
Flamboyant red, chrome panels, single gold lining .. .. .	/173
Grey centre, chrome panels, white lining .. .. .	/270
Flamboyant aircraft blue, chrome panels, single white lining .. .. .	/228

### SIDECOVERS

Blue .. .. .	/271
Flamboyant red, white lining .. .. .	/276
Flamboyant red, gold lining .. .. .	/279
Grey .. .. .	/274
Flamboyant aircraft blue .. .. .	/227

### OTHER PARTS:

Chrome .. .. .	/3
Black .. .. .	/7
Silver .. .. .	/165

### PRICES:

No price codes are quoted in this list. For prices please refer to the Master Price List No. 00-5125.

Wherever possible details of thread form and size are quoted after description of nuts, bolts, screws, studs and washers. Such as: 14-7006 Socket screw ( $\frac{1}{2}$ " U.N.C.  $\times$  1") =  $\frac{1}{4}$ " diameter unified coarse thread 1" long under head.

Vital components, which are manufactured from special material, are indicated by a sign and the British Standard symbol for the material is quoted at the foot of the page.

### ABBREVIATIONS:

B.A.	—	British Association Screw Threads.
B.S.C.	—	British Standard Cycle Screw Threads.
B.S.F.	—	British Standard Fine Screw Threads.
C/SK.	—	Countersunk Head.
U.N.F.	—	Unified Fine Screw Threads.
U.N.C.	—	Unified Coarse Screw Threads.
WHIT.	—	Whitworth Form Screw Threads.



**CLASSIC BIKE SPARES**

## STEERING LOCK AND KEY

Lock No.	Key No.	Lock No.	Key No.	Lock No.	Key No.
EJR 1	19-5151	EJR 18	19-5168	EJR 35	19-5185
EJR 2	19-5152	EJR 19	19-5169	EJR 36	19-5186
EJR 3	19-5153	EJR 20	19-5170	EJR 37	19-5187
EJR 4	19-5154	EJR 21	19-5171	EJR 38	19-5188
EJR 5	19-5155	EJR 22	19-5172	EJR 39	19-5189
EJR 6	19-5156	EJR 23	19-5173	EJR 40	19-5190
EJR 7	19-5157	EJR 24	19-5174	EJR 41	19-5191
EJR 8	19-5158	EJR 25	19-5175	EJR 42	19-5192
EJR 9	19-5159	EJR 26	19-5176	EJR 43	19-5193
EJR 10	19-5160	EJR 27	19-5177	EJR 44	19-5194
EJR 11	19-5161	EJR 28	19-5178	EJR 45	19-5195
EJR 12	19-5162	EJR 29	19-5179	EJR 46	19-5196
EJR 13	19-5163	EJR 30	19-5180	EJR 47	19-5197
EJR 14	19-5164	EJR 31	19-5181	EJR 48	19-5198
EJR 15	19-5165	EJR 32	19-5182	EJR 49	19-5199
EJR 16	19-5166	EJR 33	19-5183	EJR 50	19-5200
EJR 17	19-5167	EJR 34	19-5184		



## PISTON CHART

Compression Ratio	PISTON COMPLETE					Number Per Set
	Standard	+.005"	+.010"	+.020"	+.040"	
9 : 1	70-9741	70-9761	70-9762	70-9763	70-9764	3
	COMPRESSION RINGS					6
	70-6838	70-9015	70-9016	70-9017	70-9018	
	SCRAPER RINGS					3
	70-9739	70-9765	70-9766	70-9767	70-9768	
	Set No. . . . .	00-3466	00-3467	00-3468	00-3469	00-3470

## CARBURETTORS AND SETTINGS

Location	B.S.A. Number	Amal Number	Main Jet	Pilot Jet	Throttle Slide	Needle Jer	Needle Position	Air Cable
Right-hand	19-2408	R.626-14	150	622-107	3	.106	2	Long
Centre	19-2415	R.626-16	150	622-107	3	.106	2	Medium
Left-hand	19-2409	L.626-15	150	622-107	3	.106	2	Short



## ASSEMBLIES COMPLETE

---

<i>Spares No.</i>	<i>Description</i>
00-3172	TOP OVERHAUL GASKET SET.
00-3315	FULL OVERHAUL GASKET SET.
00-3466	PISTON RING SET (standard).
00-3467	PISTON RING SET (.005" oversize).
00-3468	PISTON RING SET (.010" oversize).
00-3469	PISTON RING SET (.020" oversize).
00-3470	PISTON RING SET (.040" oversize).
70-7951	ENGINE UNIT, less carburetters and exhaust system, plus oil pipes and pressure switch.
70-8781	CYLINDER HEAD ASSEMBLY.
70-6529	CYLINDER BLOCK ASSEMBLY.
70-9740	CONNECTING ROD ASSEMBLY.
70-8778	CRANKSHAFT ASSEMBLY.
71-1009	CRANKCASE COMPLETE, drive-side, centre and timing-side.
70-9001	OIL PUMP COMPLETE.
19-7800	CLUTCH ASSEMBLY COMPLETE.
57-3871	PRIMARY DRIVE SHOCK ABSORBER ASSEMBLY.
82-9773	FRAME COMPLETE.
82-9963	SWINGING ARM COMPLETE.
97-3911	FRONT FORK ASSEMBLY COMPLETE.
37-3312	FRONT WHEEL COMPLETE, with spindle and bearings, less brake parts.
37-3461	FRONT BRAKE ANCHOR PLATE ASSEMBLY.
37-3317	FRONT HUB COMPLETE, with spindle and bearings, less brake parts.
37-3622	REAR WHEEL COMPLETE, with spindle and bearings, less brake parts.
37-3623	REAR HUB COMPLETE, with spindle and bearings, less brake parts.
37-3608	REAR BRAKE ANCHOR PLATE ASSEMBLY.

---





## INDEX

	<i>Page</i>
CYLINDER HEAD, ROCKER BOXES, EXHAUST PIPES .. .. .	8 - 11
CYLINDER, PISTONS AND CRANKSHAFT .. .. .	12 - 13
CRANKCASE AND TIMING GEARS .. .. .	14 - 17
INNER PRIMARY COVER, OIL PUMP AND GEARS .. .. .	18 - 19
CLUTCH .. .. .	20 - 21
PRIMARY CASE OUTER COVER, CHAIN TENSIONER, CLUTCH CONTROL .. .. .	22 - 23
GEARBOX .. .. .	24 - 25
GEARBOX COVER, GEARCHANGE AND KICKSTART CRANK .. .. .	26 - 27
FRAME .. .. .	28 - 29
SWINGING ARM, CENTRE STAND, PROP STAND .. .. .	30 - 31
STEERING HEAD .. .. .	32 - 33
FRONT FORKS .. .. .	34 - 35
FRONT WHEEL .. .. .	36 - 37
REAR WHEEL .. .. .	38 - 39
HANDRAIL, MUDGUARDS, CHAINGUARD .. .. .	40 - 43
PETROL TANK, HANDLEBAR AND CONTROLS .. .. .	44 - 47
TWINSEAT, SIDECOVERS, SILENCERS .. .. .	48 - 49
TOOLBOX, BATTERY CARRIER, AIR CLEANER .. .. .	50 - 51
OIL TANK AND OIL COOLER .. .. .	52 - 53
ELECTRICAL EQUIPMENT .. .. .	54 - 57
CARBURETTORS AND THROTTLE LINKAGE .. .. .	58 - 59
TOOL KIT .. .. .	60 - 61



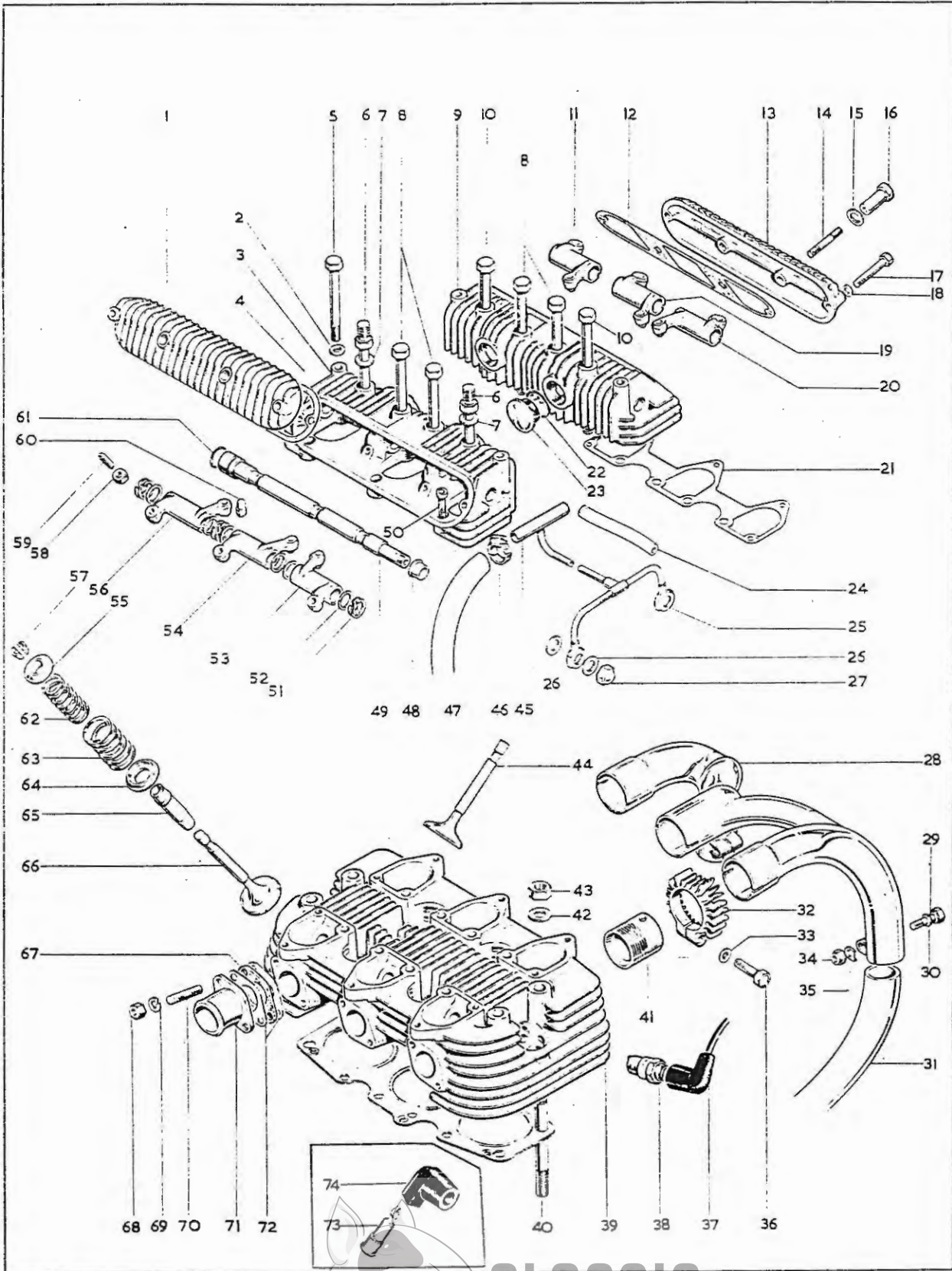


Plate 1

CYLINDER HEAD, ROCKER BOXES, EXHAUST PIPES

Plate Ref.	Spares Number	Description	Per Set
1.	70-6563	Inlet rocker box cover .. .. .	
2.	54-9081	Washer, for bolt 14-6211 .. .. .	4
3.	70-6561	Inlet rocker box .. .. .	
4.	70-6565	Rocker box cover gasket .. .. .	
5.	14-6211	Bolt, rocker box to cylinder head ( $\frac{1}{4}$ " U.N.C. $\times$ 3") .. .. .	4
6.	71-0280*	Bolt, rocker box to barrel steady stay ( $\frac{3}{8}$ " $\times$ $\frac{5}{16}$ " U.N.F. $\times$ 4 $\frac{1}{2}$ ") .. .. .	2
7.	70-9240	Washer for bolt lines 6, 8 and 10 ( $\frac{5}{8}$ " $\times$ 21/64" $\times$ 3/32") .. .. .	8
8.	70-8820*	Bolt, rocker box to barrel (short) .. .. .	4
9.	70-6562	Exhaust rocker box .. .. .	
10.	70-8819*	Bolt, rocker box to barrel (long) .. .. .	2
11.	71-1290	Exhaust rocker, drive-side .. .. .	
12.	70-6565	Rocker box cover gasket .. .. .	
13.	70-6564	Exhaust rocker box cover .. .. .	
14.	14-1401	Stud (long), rocker box cover ( $\frac{1}{4}$ " U.N.C./U.N.F. $\times$ 1 $\frac{1}{8}$ ") .. .. .	4
15.	70-9239	Washer, cover fixing nut (9/16" $\times$ 25/64" $\times$ $\frac{1}{16}$ ") .. .. .	4
16.	70-9237	Sleeve nut, cover fixing .. .. .	4
17.	14-0202	Bolt, rocker box cover ( $\frac{1}{4}$ " U.N.F. $\times$ 1 $\frac{1}{8}$ ") .. .. .	4
18.	54-9081	Washer, for bolt line 17 .. .. .	4
19.	71-1288	Exhaust rocker, centre .. .. .	
20.	71-1287	Exhaust rocker, timing-side .. .. .	
21.	70-8773	Rocker box gasket .. .. .	2
22.	70-8782	"O" ring, inspection cap .. .. .	4
23.	57-2166	Rocker box inspection cap .. .. .	4
24.	71-1175	Connecting tube, oil feed pipes .. .. .	
25.	71-1168	Rocker oil pipe, rocker spindle .. .. .	
26.	40-0159	Washer, oil pipe banjo .. .. .	4
27.	21-0550	Domed nut, oil pipe to rocker spindles ( $\frac{3}{8}$ " U.N.F.) .. .. .	2
28.	71-1157	Exhaust manifold .. .. .	
29.	14-0205	Bolt, exhaust pipe to manifold ( $\frac{1}{4}$ " U.N.F. $\times$ 1 $\frac{1}{2}$ ") .. .. .	2
30.	54-9081	Washer, exhaust pipe to manifold bolt .. .. .	4
31.	70-9460	Exhaust pipe, left-hand .. .. .	
31.	70-9461	Exhaust pipe, right-hand .. .. .	
32.	70-6743	Finned collar, exhaust pipe .. .. .	3
33.	70-8860	Spherical washer, finned collar .. .. .	3
34.	14-1201	Nut, for bolt line 29 ( $\frac{1}{4}$ " U.N.F.) .. .. .	2
35.	70-9626	Cap, for bolt line 29 .. .. .	4
36.	70-6744	Bolt, finned collar ( $\frac{5}{16}$ " U.N.F. $\times$ 1 $\frac{3}{16}$ ") .. .. .	3
37.	19-7638	Spark plug cover (Ripault) .. .. .	3
38.	19-7606	Spark plug (Champion N3) .. .. .	3

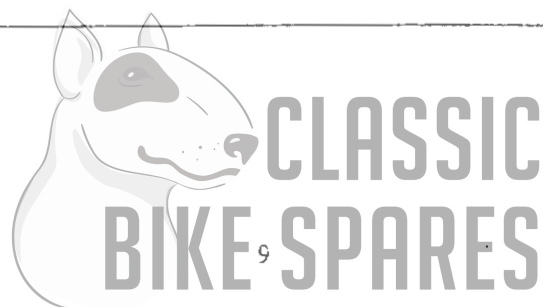


Plate 1—Contd.

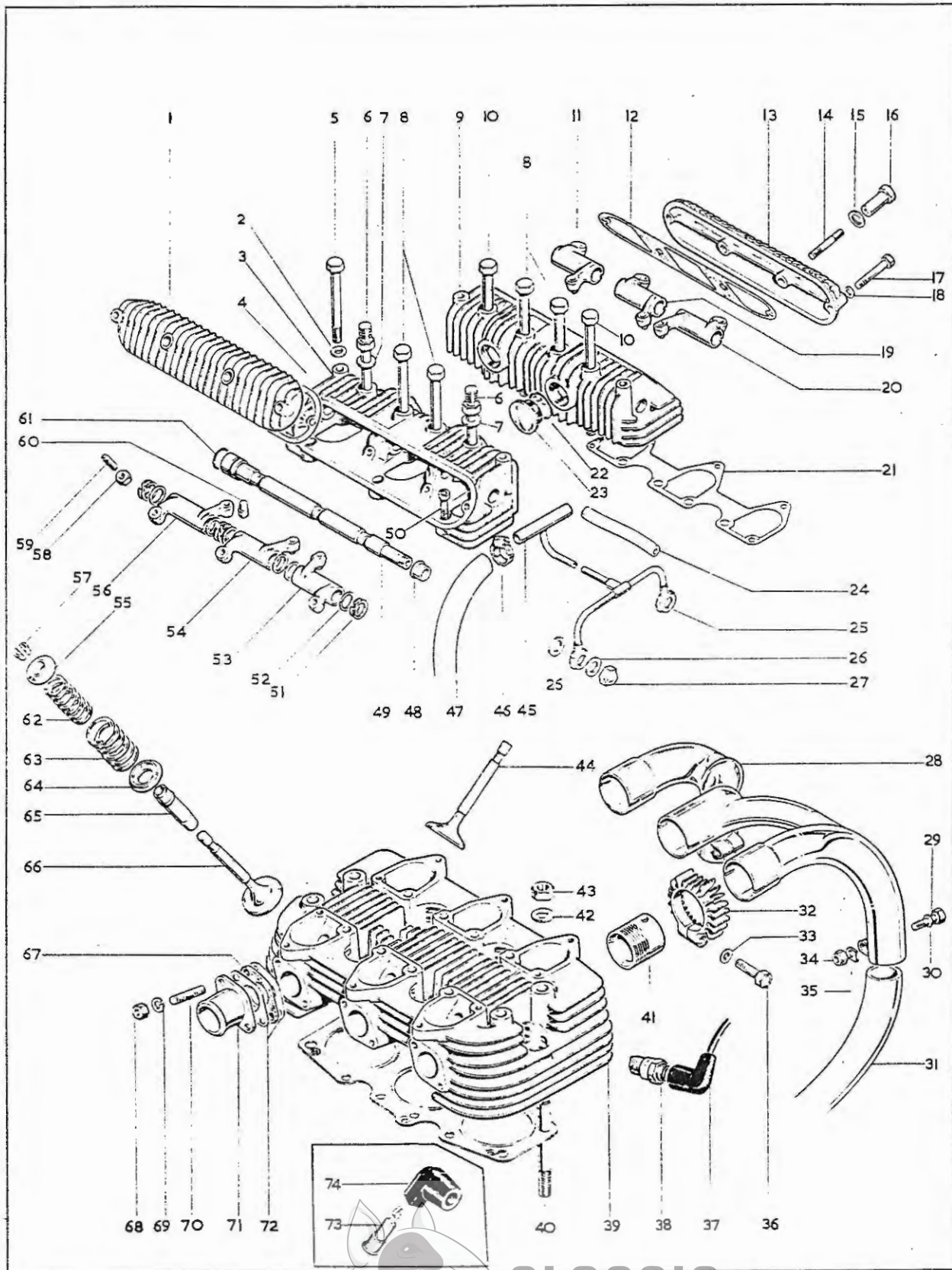


Plate 1—contd.

CYLINDER HEAD, ROCKER BOXES, EXHAUST PIPES

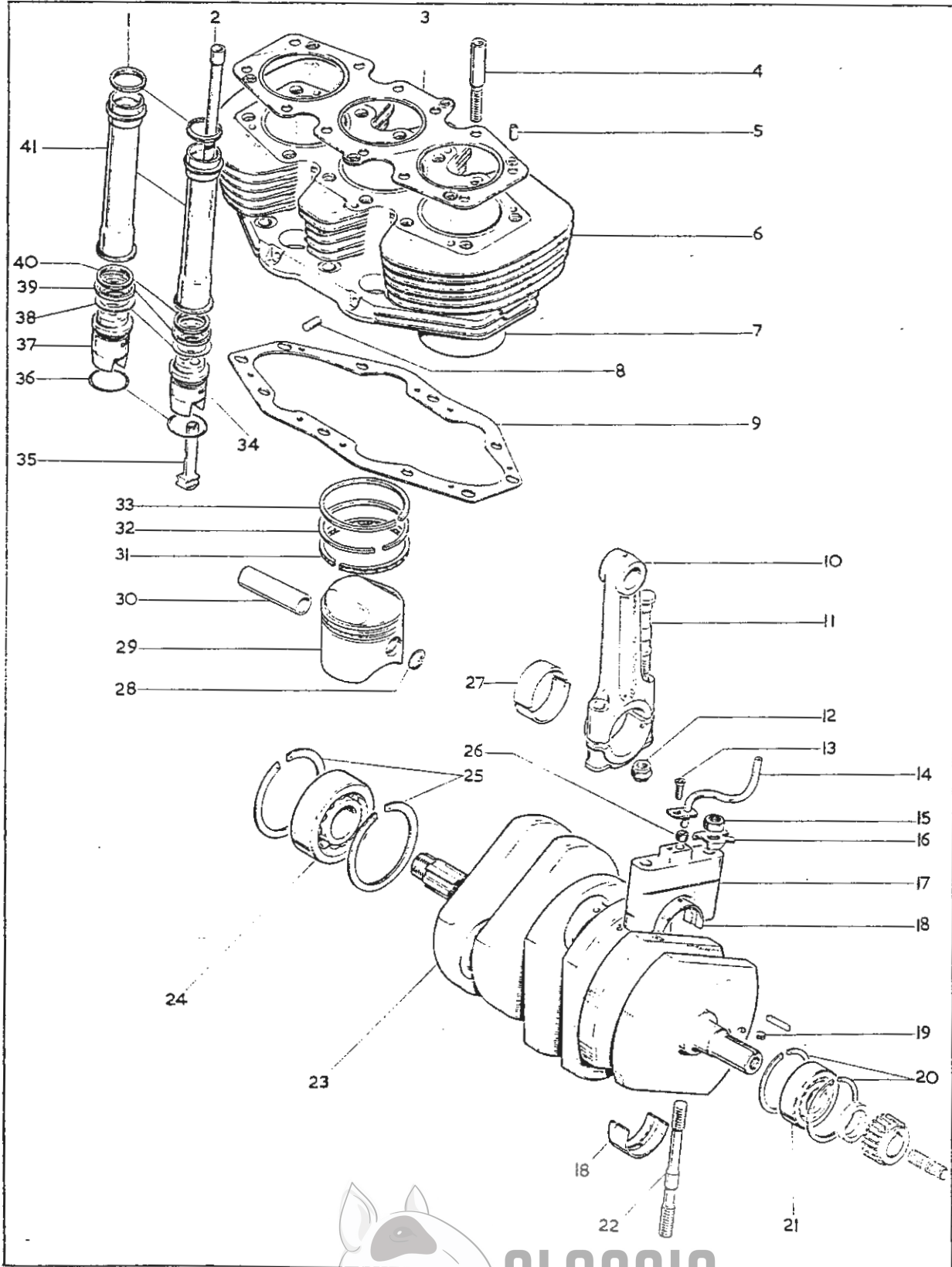
Plate Ref.	Spares Number	Description	Per Set
39.	70-8781	Cylinder head with fixed fittings .. .. .	1
40.	21-0686*	Stud, head to barrel ( $\frac{3}{8}$ " U.N.C./U.N.F. $\times 4\frac{3}{4}$ " ) .. .. .	4
41.	70-9510	Exhaust pipe adaptor .. .. .	3
42.	02-0861	Washer, head to barrel stud ( $\frac{3}{8}$ " $\times \frac{3}{4}$ " $\times 3/32$ ") .. .. .	4
43.	14-0303	Nut, head to barrel stud ( $\frac{3}{8}$ " U.N.F.) .. .. .	4
44.	70-6423	Exhaust valve .. .. .	3
45.	71-1172	Rocker oil pipe, engine to cooler .. .. .	1
46.	60-0702	Clip, flexible oil pipe to rockers .. .. .	2
47.	70-8905	Flexible oil pipe to rockers .. .. .	1
48.	70-6018	Bush, rocker spindle (timing-side) .. .. .	2
49.	70-9558	Rocker spindle assembly .. .. .	2
50.	14-7004	Screw, rocker box to cylinder head ( $\frac{1}{4}$ " U.N.C. $\times \frac{3}{4}$ " ) .. .. .	6
51.	40-0156	Spring washer, rocker spindle ( $\frac{3}{4}$ " $\times 33/64$ " $\times 1/32$ " ) .. .. .	6
52.	40-0158	Washer, rocker spindle ( $\frac{1}{2}$ " ) .. .. .	12
53.	71-1288	Inlet rocker, timing-side .. .. .	1
54.	71-1287	Inlet rocker (centre) .. .. .	1
55.	70-8720	Top collar, valve spring .. .. .	6
56.	71-1289	Inlet rocker, drive-side .. .. .	1
57.	40-0167	Split collet, valve spring .. .. .	12
58.	14-0402	Adjusting pin nut, rocker lever ( $\frac{5}{16}$ " U.N.F.) .. .. .	6
59.	70-8783	Adjusting pin, rocker lever .. .. .	6
60.	71-0070	Rocker ball pin .. .. .	6
61.	75-0124	"O" ring, drive-side bush .. .. .	2
62.	70-8787	Valve spring (inner) .. .. .	6
63.	70-8788	Valve spring (outer) .. .. .	6
64.	70-8789	Cup, valve spring (bottom) .. .. .	6
65.	70-6420	Valve guide .. .. .	6
66.	70-6422	Inlet valve .. .. .	3
67.	70-8981	Stub insulating washer (Tufnol) .. .. .	3
68.	14-0301	Nut, stub to cylinder head ( $\frac{1}{4}$ " U.N.F.) .. .. .	6
69.	40-2705	Spring washer, stub to cylinder head ( $17/64$ " $\times 15/32$ " $\times \frac{1}{16}$ " ) .. .. .	6
70.	21-0557	Stud, stub to cylinder head ( $\frac{1}{4}$ " U.N.F./U.N.C. $\times 1-5/32$ " ) .. .. .	6
71.	70-7983	Stub, cylinder head .. .. .	3
72.	70-8784	Gasket, carburettor adaptor .. .. .	6
73.	19-2199†	Spark plug Suppressor (Champion X187).. .. .	3
74.	19-7621†	Spark plug cover (Champion WC187) .. .. .	3

\*Special material: 6.—EN16. 8.—EN16. 10.—EN16. 40.—EN8.

†Except U.S.A.



Plate 2

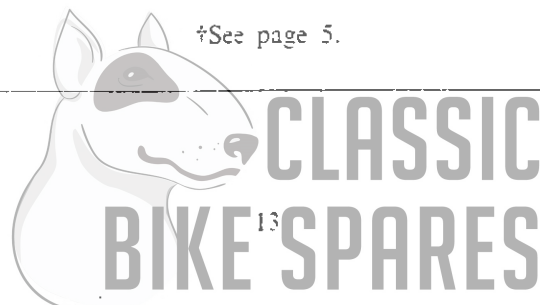


## CYLINDER, PISTONS AND CRANKSHAFT

Plate Ref.	Spares Number	Description	Per Set
1.	70-4752	Joint washer, push rod cover (top)	4
2.	71-1238	Push rod, inlet and exhaust	6
3.	71-1176	Cylinder head gasket	8
4.	70-8817*	Stud, cylinder barrel	6
5.	70-1532	Dowel, cylinder head to barrel	6
6.	70-6529	Cylinder barrel assembly	3
7.	70-8914	Cylinder barrel liner	4
8.	70-9465	Dowel, tappet block	3
9.	70-6496	Cylinder base gasket	6
10.	70-9740	Connecting rod complete	3
11.	70-9727*	Connecting rod bolt ( $\frac{5}{16}$ " U.N.F. $\times$ 2-37/64")	6
12.	21-2016	Nut, connecting rod bolt ( $\frac{5}{16}$ " U.N.F.)	6
13.	40-0242	Screw, oil pipe to bearing cap (2 B.A. $\times$ 27/64" countersunk)	2
14.	70-8746	Tappet oil feed pipe, drive-side	4
14.	70-8748	Tappet oil feed pipe, timing-side	4
15.	14-0303	Locknut, bearing cap ( $\frac{3}{8}$ " U.N.F.)	4
16.	71-1129	Tab washer, bearing cap nut	4
17.	70-7423	Main bearing cap	2
18.	70-6023	Main bearing shell (standard)	4
18.	70-9027	Main bearing shell (.010" undersize)	4
18.	70-9028	Main bearing shell (.020" undersize)	4
18.	70-9029	Main bearing shell (.030" undersize)	4
18.	70-9030	Main bearing shell (.040" undersize)	4
19.	70-6577	Crankshaft oilway plug	3
20.	70-6026	Bearing circlip, timing-side	2
21.	70-8780	Crankshaft bearing, timing-side (Hoffman R.125)	4
22.	70-8745*	Stud, main bearing cap ( $\frac{3}{8}$ " U.N.F. U.N.C. $\times$ 4 $\frac{7}{8}$ ")	4
23.	70-8778	Crankshaft assembly	2
24.	70-1591	Crankshaft bearing, drive-side (Hoffman MS.11)	4
25.	70-6025	Bearing circlip, drive-side	4
26.	70-9843	Rubber seal, tappet feed pipe	6
27.	70-5998	Shell bearing, connecting rod (standard)	6
27.	70-9023	Shell bearing, connecting rod (.010" undersize)	6
27.	70-9024	Shell bearing, connecting rod (.020" undersize)	6
27.	70-9025	Shell bearing, connecting rod (.030" undersize)	6
27.	70-9026	Shell bearing, connecting rod (.040" undersize)	6
28.	70-6840	Gudgeon pin circlip	3
29.	70-9741†	Piston complete (standard)	3
30.	70-6836	Gudgeon pin	3
31.	70-9739†	Piston scraper ring (standard)	3
32.	70-6838†	Piston compression ring, centre (standard)	3
33.	70-6838†	Piston compression ring, top (standard)	3
34.	70-6509	Tappet block, timing-side	2
35.	70-8917	Inlet and exhaust tappet	6
36.	70-6560	"O" ring, tappet block	4
37.	70-6508	Tappet block, drive-side	2
38.	71-1190	Gasket, push rod cover tube	4
39.	70-4746	Cup, push rod cover (bottom)	4
40.	70-4752	Joint washer, push rod cover (bottom)	4
41.	70-6955	Push rod cover	4

\*Special material: 4.—EN8R. 11.—3AE.4042. condition  $\times$  75 ton. 22.—EN16.

†See page 5.



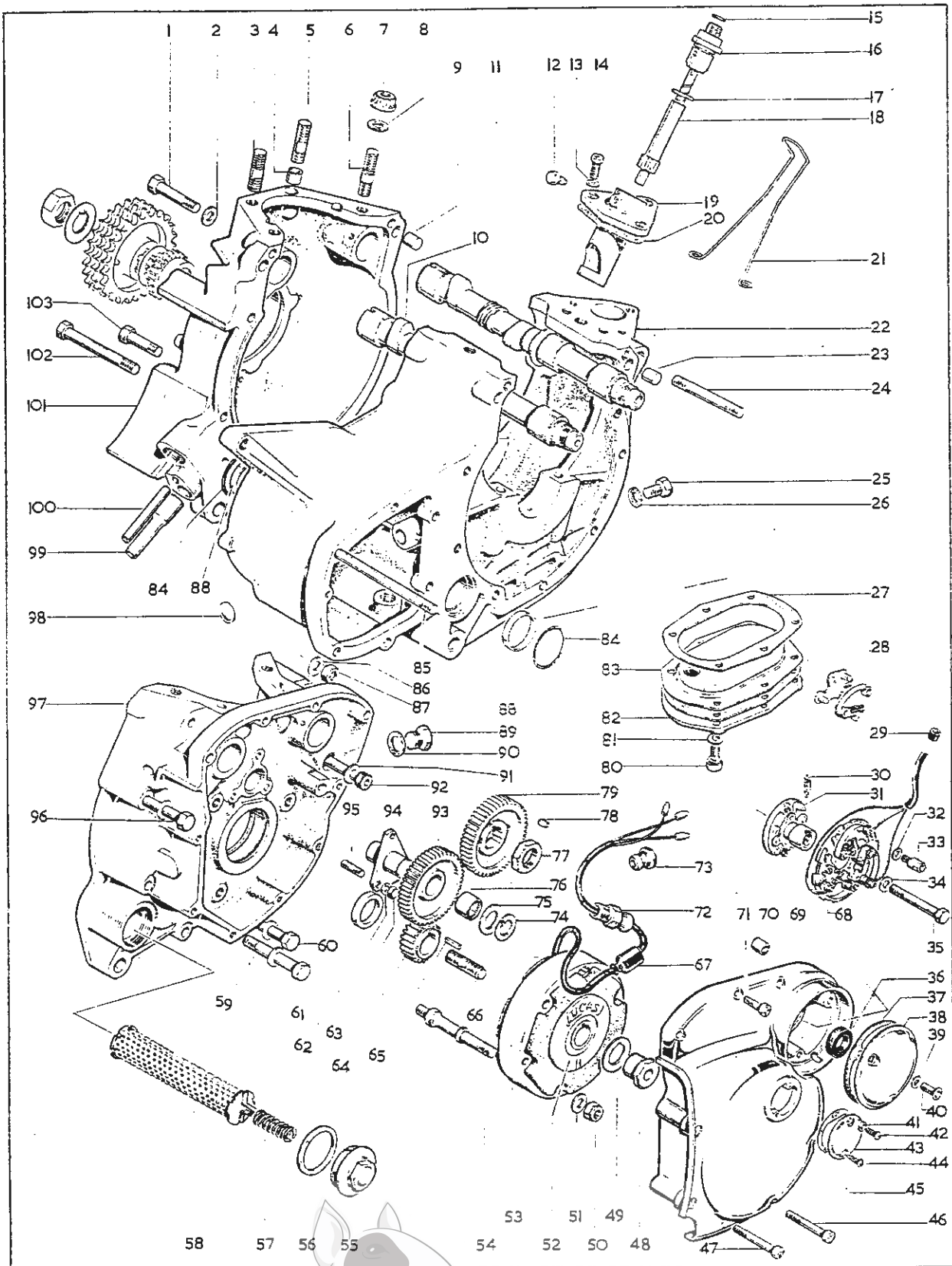




Plate 3

CRANKCASE AND TIMING GEARS

Plate Ref.	Spares Number	Description	Per Set
1.	14-6220	Bolt, crankcase ( $\frac{5}{16}$ " U.N.C. $\times$ $1\frac{3}{4}$ ") .. .. .	2
2.	54-0055	Washer, crankcase bolt ( $\frac{5}{16}$ " $\times$ $\frac{5}{8}$ " $\times$ $\frac{1}{16}$ ") .. .. .	8
3.	21-1931*	Stud, cylinder base ( $\frac{3}{8}$ " U.N.C./U.N.F. $\times$ $1\frac{3}{4}$ ") .. .. .	4
4.	70-8751	Dowel, cylinder base .. .. .	2
5.	70-8738*	Stud, cylinder base dowel ( $\frac{3}{8}$ " U.N.F. $\times$ $1-13/16$ ") .. .. .	2
6.	21-1912*	Stud, cylinder base ( $\frac{3}{8}$ " U.N.C./U.N.F. $\times$ $1\frac{5}{8}$ ") .. .. .	4
7.	21-0692	Nut, cylinder base stud (12 point $\frac{3}{8}$ " U.N.F.) .. .. .	10
8.	70-8770	Washer, for nut line 7 .. .. .	10
9.	70-8774	Dowel, drive-side .. .. .	2
10.	70-8764	Inlet camshaft .. .. .	
11.	70-8765	Exhaust camshaft .. .. .	
12.	70-8744	Locating bolt ( $\frac{1}{4}$ " U.N.C. $\times$ $13/32$ ") .. .. .	
13.	90-0262	Washer, for screw line 14 .. .. .	2
14.	14-6606	Screw, tachometer housing to crankcase ( $\frac{1}{4}$ " U.N.C. $\times$ $\frac{3}{4}$ ") .. .. .	3
15.	70-6299	"O" ring, driven gear .. .. .	
16.	70-8742	Bearing housing, tachometer drive .. .. .	
17.	40-0323	"O" ring, tachometer drive .. .. .	
18.	70-8741	Driven gear, tachometer drive .. .. .	
19.	70-8740	Driven gear housing, tachometer drive .. .. .	
20.	70-8739	Gasket, tachometer drive .. .. .	
21.	70-9706	Support wire, tachometer cable .. .. .	
22.	71-1000†	Crankcase, centre section .. .. .	
23.	70-8774	Dowel, timing-side .. .. .	2
24.	14-1427	Stud, crankcase ( $\frac{1}{16}$ " U.N.C./U.N.F. $\times$ $3$ ") .. .. .	2
25.	14-6113	Oilway plug ( $\frac{1}{16}$ " U.N.C. $\times$ $\frac{5}{8}$ ") .. .. .	2
26.	70-8776	Oilway plug washer .. .. .	2
27.	70-6516	Scavenge cover gasket .. .. .	2
28.	19-1865	Contact set (Lucas 54419828) .. .. .	
29.	70-8756	Grommet, contact breaker leads .. .. .	
30.	19-1888	Spring, auto-advance unit (Lucas 54417992) .. .. .	2
31.	19-1864	Auto-advance unit (Lucas 54419867) .. .. .	
32.	70-6559	Washer, contact breaker plate .. .. .	3
33.	70-6521	Pillar bolt, contact breaker plate (2 B.A. $\times$ $1-5/32$ ") .. .. .	3
34.	68-0331	Washer, auto-advance bolt line 35 .. .. .	
35.	14-0208	Bolt, auto-advance unit ( $\frac{1}{4}$ " U.N.F. $\times$ $2\frac{1}{4}$ ") .. .. .	
36.	76-0291	Oil seal, contact breaker .. .. .	
37.	70-6572	Cover gasket, contact breaker .. .. .	
38.	70-6519	Contact breaker cover .. .. .	
39.	54-0170	Washer, cover screw line 40 .. .. .	3
40.	54-9012	Screw, contact breaker cover (2 B.A. $\times$ $13/32$ ") .. .. .	3
41.	70-9266	Washer, for screw lines 42 and 44 .. .. .	2
42.	71-1130	Screw, timing aperture (4 B.A. $\times$ $\frac{1}{16}$ ") .. .. .	
43.	70-7879	Cover, timing aperture .. .. .	
44.	71-0006	Pointer screw, timing aperture (4 B.A. $\times$ $11/16$ ") .. .. .	
45.	70-7880	Gasket, timing aperture .. .. .	
46.	14-6611	Screw, timing cover ( $\frac{1}{4}$ " U.N.C. $\times$ $1\frac{3}{4}$ ") .. .. .	
47.	14-6612	Screw, timing cover ( $\frac{1}{4}$ " U.N.C. $\times$ $2$ ") .. .. .	4
48.	70-8763	Nut, rotor mounting ( $\frac{1}{16}$ " U.N.F.) .. .. .	
49.	75-0223	Lockwasher, rotor mounting .. .. .	
50.	21-1852	Locknut, stator mounting ( $\frac{1}{16}$ " U.N.F.) .. .. .	3
51.	54-0055	Washer, stator mounting ( $\frac{1}{16}$ " $\times$ $\frac{5}{8}$ " $\times$ $\frac{1}{16}$ ") .. .. .	3
52.	19-1260	Alternator rotor (Lucas 54213902) .. .. .	
53.	19-1259	Alternator stator (Lucas 47209) .. .. .	
54.	70-6522*	Stud, stator mounting ( $\frac{1}{16}$ " U.N.F. $\times$ $3$ ") .. .. .	3



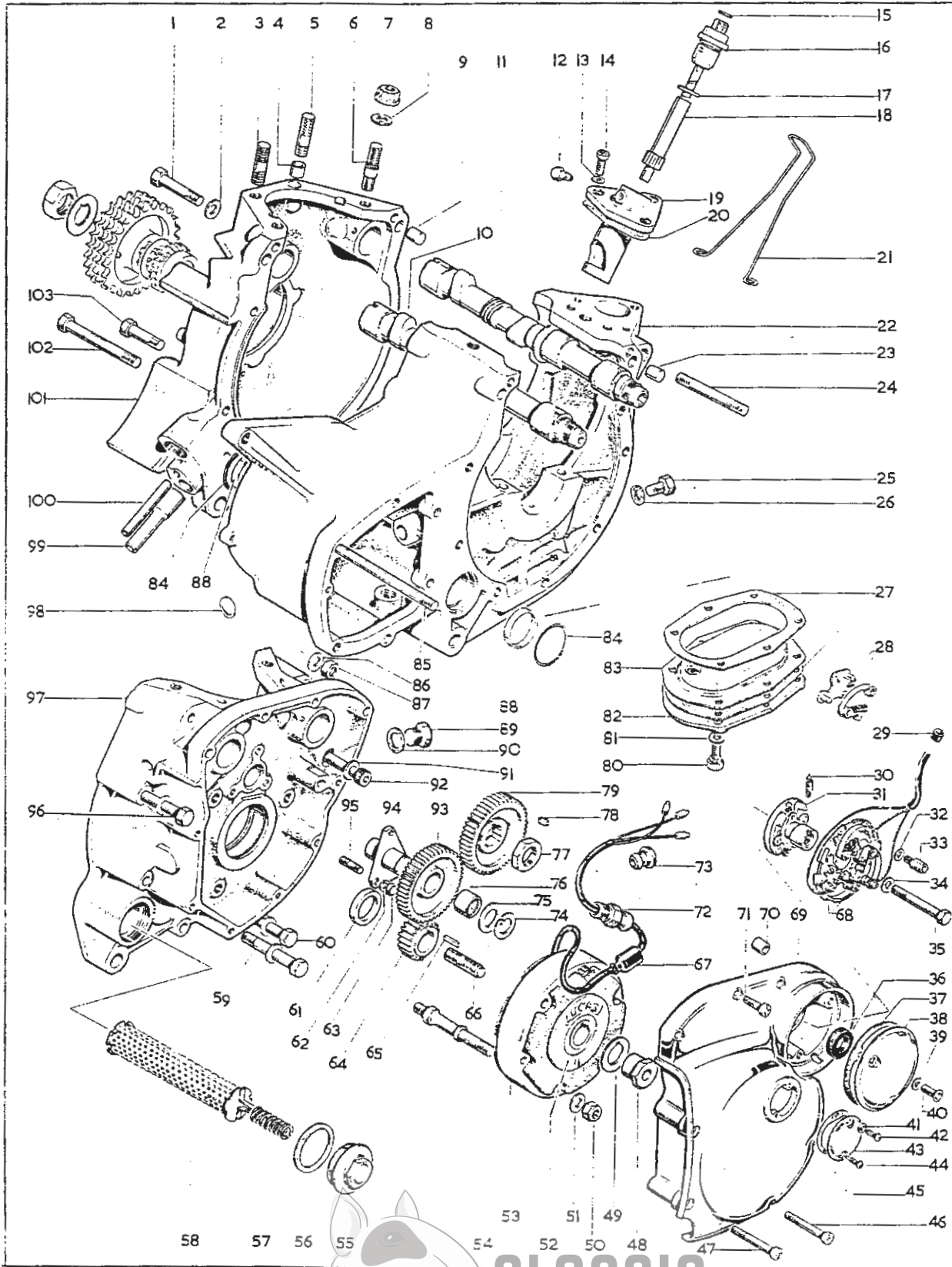


Plate 3—contd.

CRANKCASE AND TIMING GEARS

Plate Ref.	Spares Number	Description	Per Set
55.	71-1270	Cap, main oil filter .. .. .	
56.	71-1070	"O" ring, filter cap .. .. .	
57.	70-6130	Spring, filter mounting .. .. .	
58.	70-6571	Main oil filter (Fram CA.2818) .. .. .	
59.	14-6226	Bolt, crankcase clamping ( $\frac{5}{16}$ " U.N.C. $\times$ 3 $\frac{1}{4}$ ") .. .. .	4
60.	14-6218	Bolt, crankcase clamping ( $\frac{5}{16}$ " U.N.C. $\times$ 1 $\frac{3}{8}$ ") .. .. .	
61.	70-6173	Distance piece, timing pinion .. .. .	
62.	54-0022	Washer, gear spindle stud .. .. .	3
63.	14-0401	Locknut, gear spindle stud ( $\frac{1}{4}$ " U.N.F.) .. .. .	3
64.	70-6524	Timing pinion, crankshaft .. .. .	
65.	70-3974	Key, crankshaft pinion and rotor .. .. .	
66.	21-0548*	Stud, crankshaft ( $\frac{5}{16}$ " U.N.F./U.N.F. $\times$ 1 $\frac{3}{8}$ ") .. .. .	
67.	68-0209	Grommet, for cable seal nut .. .. .	
68.	19-1863	Contact breaker plate (Lucas 54419327) .. .. .	
69.	70-7738	Timing gear cover .. .. .	
70.	76-0217	Dowel, timing cover .. .. .	2
71.	14-6608	Screw, timing cover to crankcase ( $\frac{1}{4}$ " U.N.C. $\times$ 1") .. .. .	5
72.	70-8760	Cable sleeve nut .. .. .	
73.	70-9807	Grommet, alternator leads .. .. .	
74.	70-8768	Circlip, intermediate gear .. .. .	
75.	70-6088	Thrust washer, intermediate gear .. .. .	
76.	70-7650	Needle bearing (Torrington B.1110) .. .. .	
77.	70-6523	Nut, camshaft pinion .. .. .	2
78.	70-1558	Key, camshaft pinion .. .. .	2
79.	70-9802	Camshaft pinion .. .. .	2
80.	14-6104	Bolt, scavenge cover ( $\frac{1}{4}$ " U.N.C. $\times$ $\frac{7}{8}$ ") .. .. .	6
81.	54-0022	Spring washer, scavenge cover bolt .. .. .	6
82.	70-6580	Scavenge cover .. .. .	
83.	70-6501	Scavenge cover filter .. .. .	
84.	70-8779	"O" ring, filter seal .. .. .	2
85.	21-1813	Stud, gearbox cover ( $\frac{5}{16}$ " U.N.C./U.N.F. $\times$ 4 $\frac{3}{4}$ ") .. .. .	2
86.	54-0055	Washer, crankcase stud ( $\frac{5}{16}$ " $\times$ $\frac{5}{8}$ " $\times$ $\frac{1}{16}$ ") .. .. .	2
87.	14-0302	Nut, crankcase stud ( $\frac{5}{16}$ " U.N.F.) .. .. .	2
88.	70-9856	Sleeve, for filter "O" ring .. .. .	2
89.	70-8755	Plug, timing aperture .. .. .	
90.	70-1523	Fibre washer, for plug line 89 .. .. .	
91.	54-0055	Washer, crankcase bolt ( $\frac{5}{16}$ " $\times$ $\frac{5}{8}$ " $\times$ $\frac{1}{16}$ ") .. .. .	7
92.	21-0578	Socket screw, crankcase clamping ( $\frac{5}{16}$ " U.N.C. $\times$ 3 $\frac{7}{8}$ ") .. .. .	
93.	70-6727	Intermediate gear complete .. .. .	
94.	70-6030	Intermediate gear spindle .. .. .	
95.	21-0547	Stud, intermediate gear spindle ( $\frac{1}{4}$ " U.N.C./U.N.F. $\times$ $\frac{7}{8}$ ") .. .. .	3
96.	14-6223	Bolt, crankcase clamping ( $\frac{5}{16}$ " U.N.C. $\times$ 2 $\frac{1}{2}$ ") .. .. .	
97.	70-7737†	Crankcase, timing-side .. .. .	
98.	57-1920	Blanking plug .. .. .	
99.	70-6573	Oil return pipe stub .. .. .	
100.	70-6574	Oil feed pipe stub .. .. .	
101.	71-1050†	Crankcase, drive-side .. .. .	
102.	14-6226	Bolt, crankcase clamping ( $\frac{5}{16}$ " U.N.C. $\times$ 3 $\frac{1}{4}$ ") .. .. .	5
103.	14-6218	Bolt, crankcase clamping ( $\frac{5}{16}$ " U.N.C. $\times$ 1 $\frac{3}{8}$ ") .. .. .	

\*Special material: 3.—EN16R. 5.—EN8R. 6.—EN8R. 54.—EN8R. 66.—EN8R.

†Supplied only as crankcase complete, number 71-1009.



Plate 4

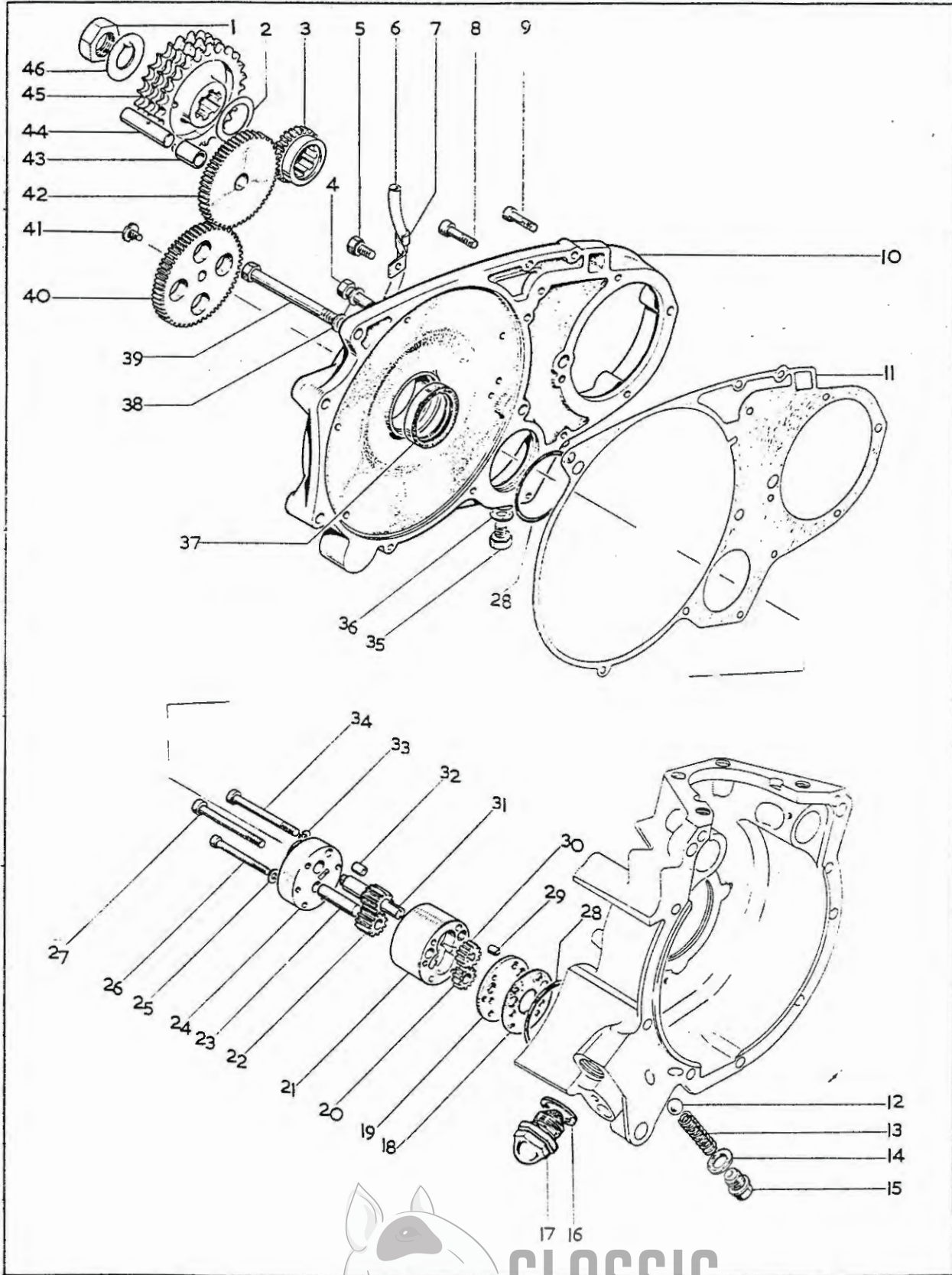
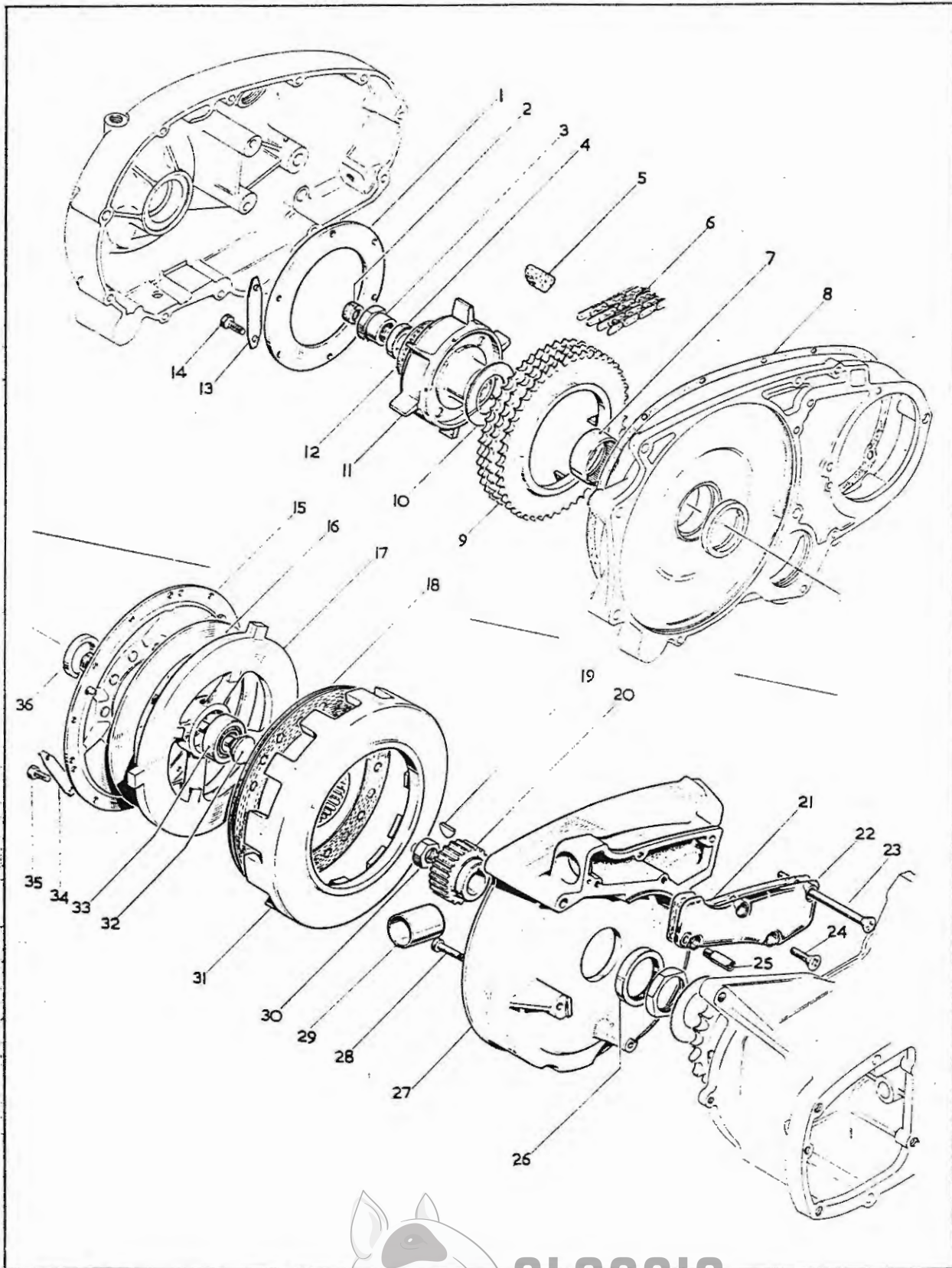


Plate 4

INNER PRIMARY COVER, OIL PUMP AND GEARS

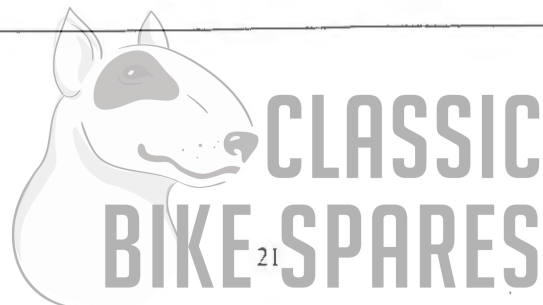
Plate Ref.	Spare Number	Description	Per Set
1.	21-0585	Nut, engine sprocket ( $\frac{3}{4}$ " U.N.F.)	
2.	70-9634	Shim, engine sprocket (as required, maximum 4)	
3.	70-7248	Driving gear, oil pump	
4.	21-1820	Bolt, inner cover to crankcase ( $\frac{5}{16}$ " U.N.C. $\times$ $4\frac{1}{2}$ " )	
5.	14-6101	Bolt, chain oiler clip ( $\frac{1}{4}$ " U.N.C. $\times$ $\frac{1}{2}$ " )	
6.	70-8786	Chain oiler pipe	
7.	70-4705	Clip, chain oiler pipe	
8.	14-7006	Socket screw, inner cover to crankcase ( $\frac{1}{4}$ " U.N.C. $\times$ 1")	7
9.	14-6606	Screw (short), inner cover to crankcase ( $\frac{1}{4}$ " U.N.C. $\times$ $\frac{3}{4}$ " )	2
10.	57-4018	Inner primary cover with fixed fittings	
11.	57-2558	Gasket, inner cover to crankcase	
12.	70-8750	Ball, oil control valve ( $\frac{7}{16}$ " diameter. 11.1125 mm.)	
13.	70-6567	Spring, oil control valve	
14.	70-6742	Fibre washer, oil control valve	
15.	70-6584	Plug, oil control valve	
16.	70-9737	Fibre washer, valve body to crankcase	
17.	70-6595	Oil pressure release valve complete	
18.	70-6503	Gasket, oil pump to crankcase	
19.	70-6502	Oil pump base plate	
20.	70-6038	Oil pump driven feed gear	
21.	70-6430	Oil pump body	
22.	70-6039	Oil pump driven scavenge gear	
23.	70-6454	Spindle, for driven gears	
24.	70-6525	Oil pump cover	
25.	70-8731	Spring washer, oil pump cover screw line 30 ( $\frac{11}{64}$ " $\times$ 18 G.)	2
26.	21-0559	Screw, oil pump cover to body (3 B.A. $\times$ 2")	2
27.	71-0003	Screw, oil pump to crankcase (2 B.A. $\times$ $2\frac{1}{2}$ " )	3
28.	70-6570	Seal, oil pump to crankcase and cover	2
29.	70-1532	Dowel, oil pump to crankcase	
30.	70-6455	Oil pump feed driving gear	
31.	70-6889	Oil pump scavenge driving gear	
32.	70-6459	Dowel, oil pump cover to body	
33.	70-8732	Spring washer, oil pump screw line 34 ( $\frac{13}{64}$ " $\times$ 16 G.)	4
34.	70-9601	Screw, oil pump to crankcase — dowel position (2 B.A. $\times$ $2\frac{3}{4}$ " )	
35.	21-0536	Drain plug	
36.	70-0402	Fibre washer, drain plug	
37.	57-3642	Oil seal, clutch shaft	
38.	54-0055	Washer, inner cover to crankcase bolt ( $\frac{5}{16}$ " $\times$ $\frac{5}{8}$ " $\times$ $\frac{1}{16}$ " )	2
39.	21-1819	Bolt (long), inner cover to crankcase ( $\frac{5}{16}$ " U.N.C. $\times$ $4\frac{1}{4}$ " )	
40.	70-7249	Oil pump driven gear	
41.	70-7250	Screw, driven gear to scavenge gear (2 B.A. $\times$ $\frac{3}{8}$ " )	
42.	70-7246	Intermediate gear, oil pump drive	
43.	70-6885	Bush, intermediate oil pump gear	
44.	71-1051	Intermediate gear spindle	
45.	70-6890	Engine sprocket (28 teeth)	
46.	70-8785	Lockwasher, engine sprocket	
	70-9001	Oil pump complete	





CLUTCH

Plate Ref.	Spares Number	Description	Per Set
1.	57-4004	Retaining plate, shock absorber .. .. .	
2.	57-3644	Oil seal, clutch pull rod .. .. .	
3.	57-2480	Nut, shock absorber .. .. .	
4.	57-2478	Spacer, shock absorber nut .. .. .	
5.	68-3282	Shock absorber rubber .. .. .	12
6.	19-8692	Primary chain (Triplex, 82 pitch) .. .. .	
7.	57-3643	Needle bearing, clutch shaft (INA. SC.228) .. .. .	
8.	57-2581	Gasket, inner cover to outer cover .. .. .	
9.	57-2245	Clutch sprocket (50T) .. .. .	
10.	57-2214	Thrust washer, clutch sprocket .. .. .	
11.	57-2471	Spider, clutch shock absorber .. .. .	
12.	57-3646	Thrust race, clutch shaft (Torrington NTA.2233) .. .. .	
13.	57-3941	Tab washer for bolt line 14 .. .. .	3
14.	57-3940	Bolt, shock absorber retaining plate (2 B.A. $\times \frac{5}{8}$ ") .. .. .	6
15.	19-7801	Clutch end cover assembly .. .. .	
16.	19-7805	Clutch spring .. .. .	
17.	19-7804	Clutch pressure plate complete .. .. .	
18.	19-7803	Clutch friction plate .. .. .	
19.	68-3218	Key, hub to mainshaft .. .. .	
20.	57-2580	Clutch hub .. .. .	
21.	57-2556	Gasket, breather duct .. .. .	
22.	57-2555	Breather duct cover .. .. .	
23.	14-6515	Screw, cover to inner chaincase ( $\frac{1}{4}$ " U.N.C. $\times 4$ ") .. .. .	
24.	21-0680	Screw, cover to clutch cover (number 10 U.N.C. $\times \frac{5}{8}$ ") .. .. .	3
25.	57-3756	Adaptor for oil tank breather pipe .. .. .	
26.	57-3642	Oil seal, cover to mainshaft .. .. .	
27.	57-2554	Clutch cover .. .. .	
28.	14-6610	Screw, cover to crankcase ( $\frac{1}{4}$ " U.N.C. $\times 1\frac{1}{2}$ ") .. .. .	3
29.	57-2557	Tube, clutch cover .. .. .	
30.	21-0681	Nut, hub to mainshaft (9/16" U.N.F.) .. .. .	
31.	19-7802	Clutch housing .. .. .	
32.	57-2552	Clutch pull rod .. .. .	
33.	19-7808	Bearing, clutch pressure plate .. .. .	
34.	19-7807	Lockwasher, end cover to housing bolt .. .. .	6
35.	19-7806	Bolt, end cover to housing .. .. .	12
36.	57-2479	Sleeve, mainshaft oil seal .. .. .	
	19-7800	Clutch assembly complete .. .. .	
	19-7809	Facing pack for friction plate (3SC.76014) .. .. .	
	57-3871	Shock absorber assembly .. .. .	



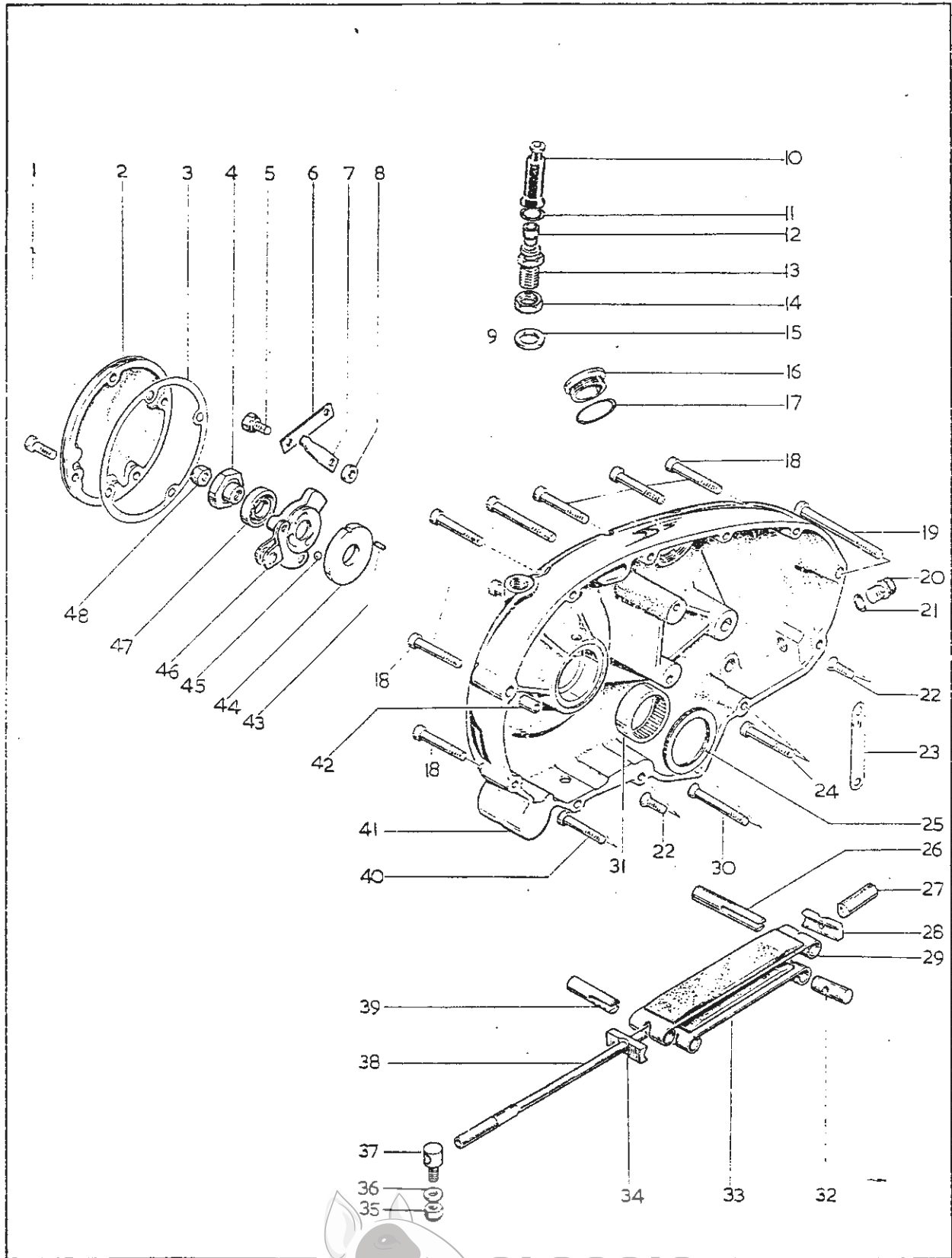




Plate 6

PRIMARY CASE OUTER COVER, CHAIN TENSIONER, CLUTCH CONTROL

Plate Ref.	Spares Number	Description	Per Set
1.	14-6605	Screw, inspection cover ( $\frac{1}{4}$ " U.N.C. $\times$ $\frac{5}{8}$ ") .. .. .	4
2.	57-3954	Inspection cover .. .. .	
3.	57-3955	Inspection cover gasket .. .. .	
4.	57-2553	Sleeve nut ( $\frac{3}{16}$ " U.N.F.) .. .. .	
5.	14-6102	Bolt, clutch thrust plate spring ( $\frac{1}{4}$ " U.N.C. $\times$ $\frac{5}{8}$ ") .. .. .	2
6.	57-2474	Tab washer, for bolt line 5 .. .. .	
7.	57-2473	Spring, clutch thrust plate .. .. .	2
8.	57-3638	Distance piece, clutch thrust plate spring .. .. .	2
9.	14-6613	Screw, primary outer cover ( $\frac{1}{4}$ " U.N.C. $\times$ $2\frac{1}{4}$ ") .. .. .	2
10.	68-3264	Clutch cable grommet .. .. .	
11.	57-3733	Sealing ring, clutch cable .. .. .	
12.	57-1645	Adaptor, clutch cable .. .. .	
13.	57-2220	Abutment for clutch cable .. .. .	
14.	21-0567	Locknut for abutment ( $\frac{1}{2}$ " U.N.C.) .. .. .	
15.	57-3990	Washer, clutch cable locknut .. .. .	
16.	57-2166	Oil filler plug .. .. .	
17.	70-8782	"O" ring for filler plug .. .. .	
18.	14-6611	Screw, primary outer cover ( $\frac{1}{4}$ " U.N.C. $\times$ $1\frac{3}{4}$ ") .. .. .	6
19.	14-6615	Screw, primary outer cover ( $\frac{1}{4}$ " U.N.C. $\times$ $3$ ") .. .. .	
20.	57-2259	Plug, tensioner hole .. .. .	
21.	57-3733	"O" ring for tensioner hole plug .. .. .	
22.	14-6504	Screw, primary outer cover ( $\frac{1}{4}$ " U.N.C. $\times$ $\frac{3}{4}$ " countersunk head) .. .. .	2
23.	57-2244	Inner gasket, primary outer cover .. .. .	
24.	14-6612	Screw, outer to inner cover .. .. .	
25.	57-2215	Thrust washer, primary outer cover .. .. .	
26.	57-3614	Pivot pin, chain tensioner .. .. .	
27.	57-3617	Adjuster, chain tensioner .. .. .	
28.	70-9258	Saddle washer, adjuster end .. .. .	2
29.	57-3610	Chain tensioner blade (upper) .. .. .	
30.	14-6509	Screw, primary outer cover ( $\frac{1}{4}$ " U.N.C. $\times$ $1\frac{3}{4}$ " countersunk head) .. .. .	
31.	57-3643	Needle bearing (INA. SC.228) .. .. .	
32.	70-5977	Trunnion, lower tensioner blade .. .. .	2
33.	70-6061	Chain tensioner blade (lower) .. .. .	
34.	70-9258	Saddle washer, chain tensioner (rear) .. .. .	
35.	14-1901	Nut, chain tensioner support ( $\frac{1}{4}$ " U.N.F.) .. .. .	
36.	57-3987	Washer, chain tensioner support .. .. .	
37.	57-3986	Support, chain tensioner .. .. .	
38.	57-3983	Tie rod, chain tensioner .. .. .	
39.	70-9256	Trunnion, chain tensioner .. .. .	
40.	14-6610	Screw, primary outer cover ( $\frac{1}{4}$ " U.N.C. $\times$ $1\frac{1}{2}$ ") .. .. .	
41.	57-3958	Primary outer cover assembly .. .. .	
42.	76-0217	Dowel, outer to inner chaincase .. .. .	2
43.	57-0912	Peg, clutch thrust plate .. .. .	
44.	57-2465	Clutch thrust plate .. .. .	
45.	97-2704	Steel ball ( $\frac{1}{4}$ " diameter. 6.35 mm.) .. .. .	3
46.	57-2547	Clutch lever .. .. .	
47.	57-3647	Bearing, clutch lever (Hoffman S5) .. .. .	
48.	14-0402	Locknut ( $\frac{5}{16}$ " U.N.F.) .. .. .	



Plate 7

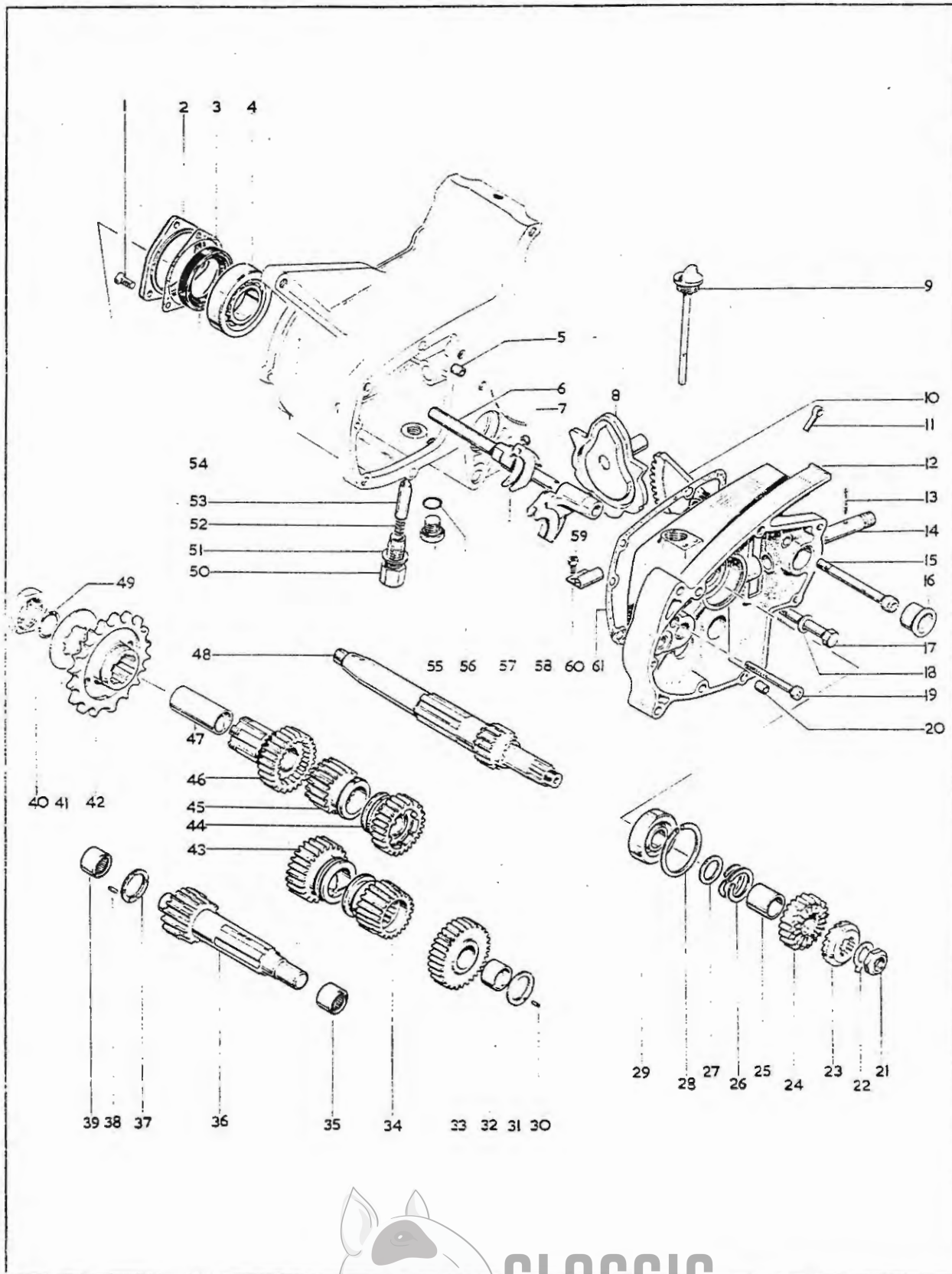


Plate Ref.	Spares Number	Description	Per Set
1.	14-6504	Screw, housing to gearbox ( $\frac{1}{4}$ " U.N.F. countersunk head)	3
2.	57-3633	Oil seal housing assembly, gearbox mainshaft	
3.	57-2165	Gasket, housing to gearbox	
4.	57-0448	Bearing, gearbox mainshaft (Hoffman N.1443)	
5.	76-0217	Dowel, gearbox inner cover	2
6.	57-3989	Selector fork spindle	
7.	57-2595	Cam plate roller	2
8.	57-4055	Cam plate assembly	
9.	57-2656	Gearbox dipstick	
10.	57-0397	Gear selector quadrant	
11.	40-9190	Alternator cable clip	
12.	57-2601	Gearbox inner cover	
13.	60-1928	Split pin, quadrant spindle ( $5.64" \times 1\frac{3}{8}"$ )	2
14.	57-1896	Spindle, selector quadrant	
15.	14-7101	Socket screw, inner cover to crankcase ( $\frac{5}{16}"$ U.N.C. $\times 3\frac{1}{4}"$ )	
16.	57-0412	Bush, footchange spindle	
17.	14-6121	Bolt, inner cover to crankcase ( $\frac{5}{16}"$ U.N.C. $\times 2\frac{1}{2}"$ )	
18.	75-0176	Washer, for bolt line 17	
19.	14-6614	Screw, inner cover to crankcase ( $\frac{1}{4}"$ U.N.C. $\times 2\frac{1}{2}"$ )	2
20.	76-0217	Dowel, inner cover to outer cover	2
21.	21-0594	Nut, mainshaft timing-side ( $9/16"$ U.N.F.)	
22.	57-0732	Lockwasher, mainshaft nut	
23.	57-0731	Kickstart ratchet	
24.	57-2170	Kickstart ratchet pinion	
25.	57-1963	Bush, kickstart ratchet pinion	
26.	57-1250	Spring, kickstart ratchet	
27.	57-1962	Washer, kickstart pinion sleeve	
28.	57-0280	Circlip, mainshaft bearing	
29.	57-3621	Bearing, mainshaft inner cover (Hoffman LS.8)	
30.	57-0912	Peg, thrust washer	
31.	57-1607	Layshaft thrust washer	
32.	57-0928	Bush, layshaft low gear	
33.	57-3862	Layshaft low gear complete	
34.	57-3890	Layshaft third gear	
35.	57-1614	Layshaft needle bearing, inner cover (Torrington B.1112)	
36.	57-3864	Layshaft with high gear	
37.	57-1607	Layshaft thrust washer	
38.	57-0912	Peg, thrust washer (drive-side)	
39.	57-1606	Layshaft needle bearing (Torrington 11121)	
40.	57-4051	Nut, gearbox final drive sprocket ( $1\frac{1}{4}"$ U.N.F.)	
41.	57-2116	Lockwasher, sprocket nut ( $2\frac{1}{8}"$ 22 G.)	
42.	57-1918	Gearbox final drive sprocket (19 teeth)	
43.	57-3861	Layshaft second gear	
44.	57-3889	Mainshaft third gear	
45.	57-3857	Mainshaft second gear	
46.	57-2176	Mainshaft high gear complete	
47.	57-3785	Bush, mainshaft high gear	
48.	57-3982	Mainshaft with low gear	
49.	57-4054	"O" ring, gearbox sprocket nut	
50.	57-2172	Bush, cam plate plunger	
51.	57-3978	Washer, cam plate plunger bush	
52.	57-4059	Spring, cam plate plunger	
53.	57-3660	Cam plate plunger	
54.	57-3634	Oil seal, gearbox mainshaft final drive	
55.	21-1872	Gearbox drain plug	
56.	70-8896	"O" ring, drain plug	
57.	57-2596	Mainshaft selector fork	
58.	57-0913	Layshaft selector fork	
59.	21-1862	"Taprite" screw, cable clip (number 6 U.N.C.)	2
60.	70-9327	Cable clip	
61.	70-9901	Gasket, gearbox inner cover to crankcases	

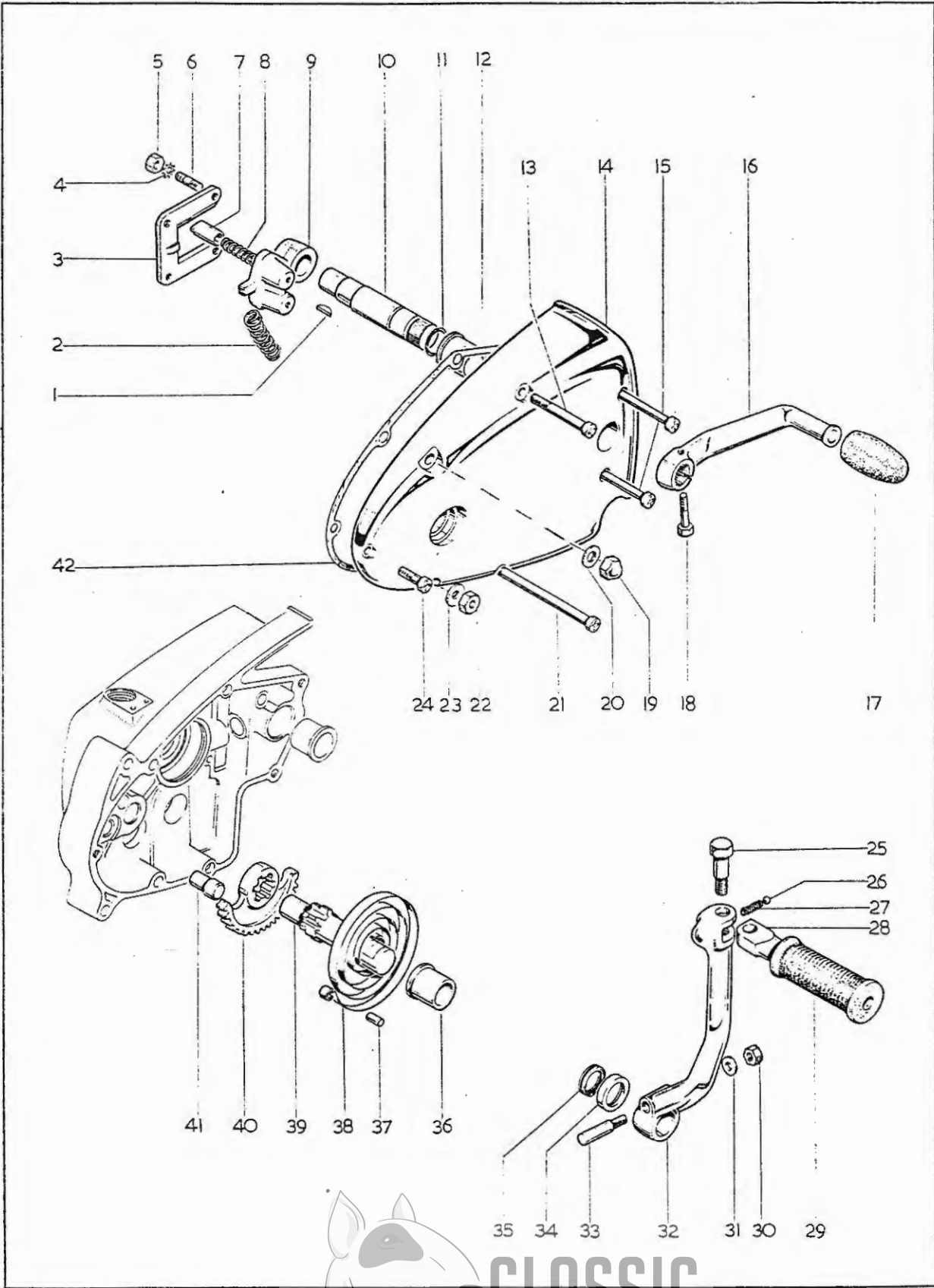


Plate 8

GEARBOX COVER, GEARCHANGE AND KICKSTART CRANK

Plate Ref.	Spares Number	Description	Per Set
1.	71-0037	Key, quadrant to spindle .. .. .	
2.	57-0404	Return spring, footchange pedal .. .. .	2
3.	57-0407	Gear control guide plate .. .. .	
4.	29-0541	Lockwasher, gear control guide plate (17/64" x 15/32" x .024") .. .. .	4
5.	14-0301	Nut, gear control guide plate (1/4" U.N.F.) .. .. .	4
6.	21-0547	Stud, gear control guide plate (1/4" U.N.C./U.N.F. x 7/8") .. .. .	4
7.	57-0406	Plunger, footchange quadrant .. .. .	2
8.	57-0405	Spring, footchange quadrant .. .. .	2
9.	57-0409	Footchange plunger quadrant .. .. .	
10.	57-3758	Footchange pedal spindle .. .. .	
11.	40-0323	Oil seal ring, footchange .. .. .	
12.	57-3759	Bush, footchange shaft .. .. .	
13.	14-6613	Screw, outer to inner cover (1/4" U.N.C. x 2 1/4") .. .. .	
14.	57-2603	Gearbox outer cover .. .. .	
15.	14-6615	Screw, outer to inner cover (1/4" U.N.C. x 3") .. .. .	2
16.	57-3757	Footchange pedal .. .. .	
17.	89-3208	Footchange pedal rubber .. .. .	
18.	14-0201	Footchange pedal bolt .. .. .	
19.	21-0544	Domed nut, outer cover stud — top (5/16" U.N.F.) .. .. .	
20.	54-0055	Washer for domed nut (5/16" x 5/8" x 1/16") .. .. .	
21.	21-1860	Screw, outer cover to crankcase (1/4" U.N.C. x 5 3/8") .. .. .	
22.	14-0302	Nut, bottom cover stud (5/16" U.N.F.) .. .. .	
23.	54-0055	Washer for nut line 22 (5/16" x 5/8" x 1/16") .. .. .	
24.	14-6608	Screw, outer to inner cover (1/4" U.N.C. x 1") .. .. .	
25.	21-0541	Bolt, kickstart pedal pivot (5/16" U.N.F. x 1-5/32") .. .. .	
26.	97-2704	Ball, kickstart folding pedal (1/4" diameter) .. .. .	
27.	40-3085	Spring, kickstart folding pedal .. .. .	
28.	57-1272	Kickstart crank folding pedal .. .. .	
29.	57-2330	Kickstart pedal rubber .. .. .	
30.	75-0053	Nut, kickstart crank cotter .. .. .	
31.	68-0331	Washer, kickstart crank cotter (1/4" x 1/2" x 1/16") .. .. .	
32.	57-2173	Kickstart crank only .. .. .	
32.	57-3632	Kickstart crank assembly complete .. .. .	
33.	75-3143	Cotter, kickstart crank .. .. .	
34.	57-1955	Oil seal housing, kickstart crank .. .. .	
35.	57-1956	Oil seal, kickstart crank .. .. .	
36.	57-0023	Bush, kickstart shaft .. .. .	
37.	57-0047	Anchor pin, kickstart return spring .. .. .	
38.	57-0031	Return spring, kickstart .. .. .	
39.	57-0024	Kickstart shaft .. .. .	
40.	57-2169	Kickstart quadrant .. .. .	
40.	57-3732	Kickstart quadrant and spindle assembly .. .. .	
41.	57-3727	Kickstart quadrant stop .. .. .	
42.	70-9900	Gasket, gearbox inner to outer cover .. .. .	



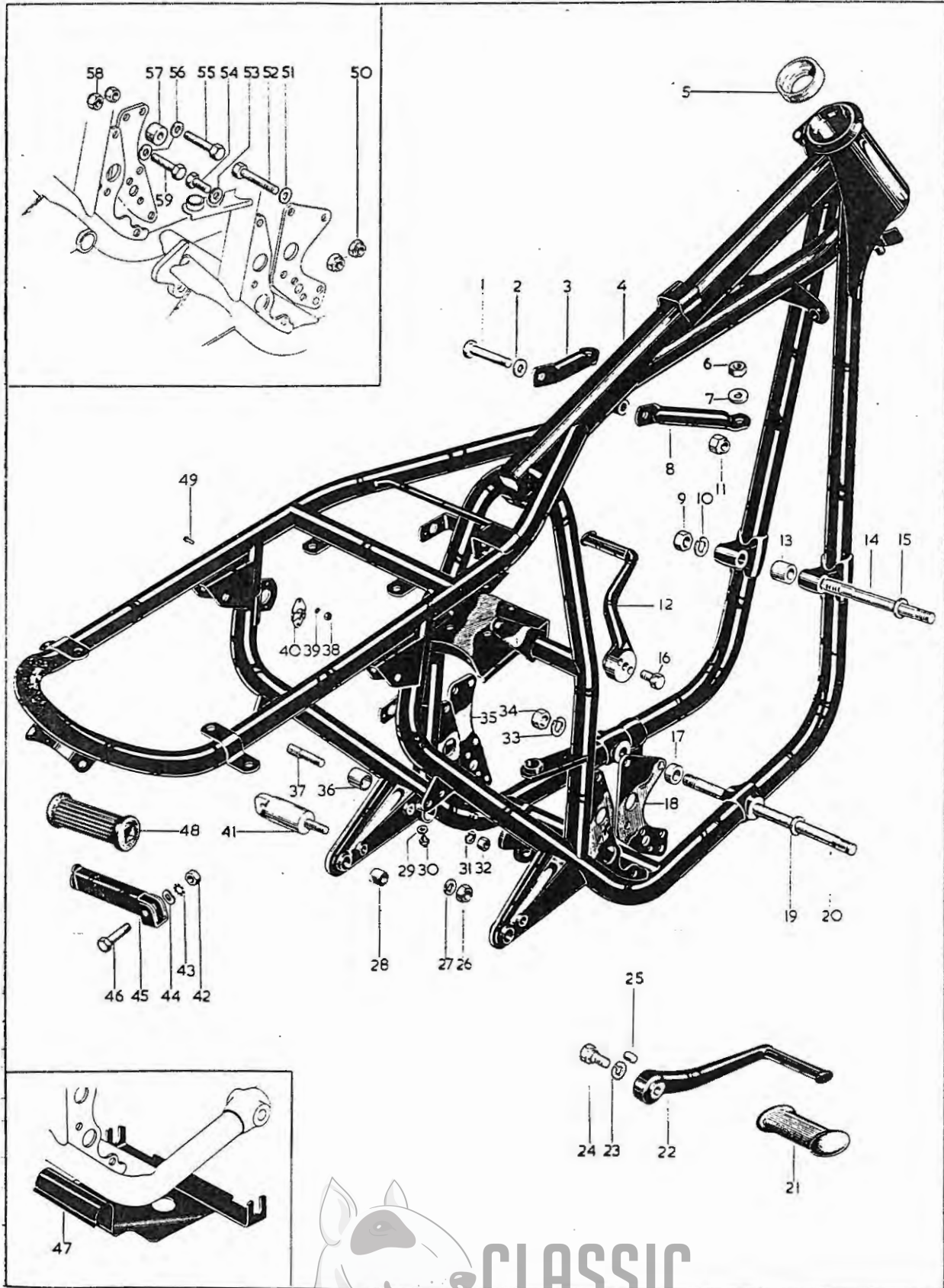


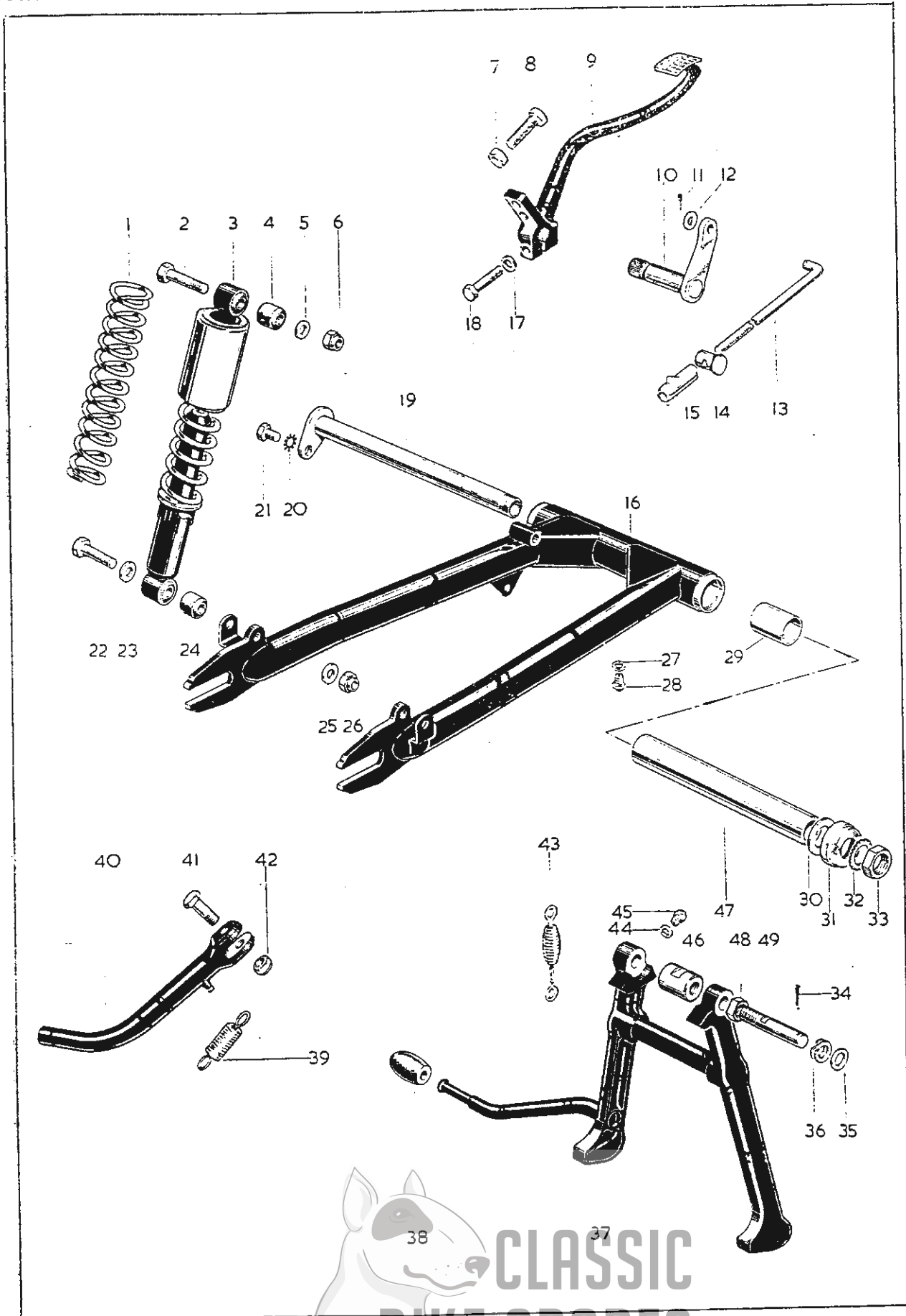
Plate 9

FRAME

Plate Ref.	Spares Number	Description	Per Set
1.	14-0237	Bolt, steady stay to frame ( $\frac{3}{8}$ " U.N.F. $\times$ $2\frac{1}{2}$ " )	..
2.	02-2138	Washer, steady stay to frame ( $\frac{3}{8}$ " $\times$ $\frac{3}{4}$ " $\times$ $\frac{1}{16}$ " )	..
3.	82-9378	Steady stay (left-hand)	..
4.	82-9773	Frame complete	..
5.	97-0111	Steering head cup	2
6.	14-0403	Nut, steady stay to cylinder head ( $\frac{3}{8}$ " U.N.F.)	2
7.	02-2138	Washer, steady stay to cylinder head ( $\frac{3}{8}$ " $\times$ $\frac{3}{4}$ " $\times$ $\frac{1}{16}$ " )	2
8.	82-9379	Steady stay (right-hand)	..
9.	14-0304	Nut, front engine bolt ( $\frac{7}{16}$ " U.N.F.)	2
10.	02-1967	Spring washer, front engine bolt ( $\frac{7}{16}$ " $\times$ $\frac{7}{8}$ " $\times$ 16 G.)	2
11.	14-1903	Nut, steady stay to frame ( $\frac{3}{8}$ " U.N.F.)	..
12.	82-9625	Footrest (left-hand)	..
13.	82-8508	Spacer, front engine bolt	..
14.	21-0779*	Front engine stud ( $\frac{7}{16}$ " U.N.F./U.N.F. $\times$ 7")	..
15.	15-0431	Washer, front engine bolt ( $\frac{7}{16}$ " $\times$ $\frac{3}{4}$ " $\times$ $\frac{1}{16}$ " )	2
16.	14-0145	Bolt, left-hand footrest ( $\frac{1}{2}$ " U.N.F. $\times$ 1")	..
17.	82-8510	Spacer, bottom engine bolt	..
18.	82-9642	Engine plate (right-hand)	..
19.	15-0431	Washer, bottom engine bolt ( $\frac{7}{16}$ " $\times$ $\frac{3}{4}$ " $\times$ $\frac{1}{16}$ " )	2
20.	21-0780*	Bottom engine stud ( $\frac{7}{16}$ " U.N.F./U.N.F. $\times$ $11\frac{1}{8}$ " )	..
21.	40-4850	Footrest rubber (right-hand)	..
21.	82-9686	Footrest rubber (left-hand)	..
22.	82-9624	Footrest (right-hand)	..
23.	03-0107	Spring washer, for bolt line 24 ( $17\frac{32}{64}$ " $\times$ $49\frac{64}{64}$ " $\times$ 11 G.)	2
24.	21-2018	Footrest bolt, right-hand footrest ( $\frac{1}{2}$ " U.N.F. $\times$ 1")	..
25.	82-5943	Footrest peg	4
26.	14-0303	Nut, pillion footrest anchor bolt ( $\frac{3}{8}$ " U.N.F.)	2
27.	02-0522	Spring washer, anchor bolt ( $\frac{3}{8}$ " $\times$ $\frac{3}{4}$ " $\times$ 17 G.)	2
28.	82-9652	Silentbloc, silencer mounting	2
29.	54-4302	Fibre washer, for grease nipple line 30	..
30.	47-9012	Grease nipple, brake pedal	..
31.	24-8784	Spring washer, stop peg	..
32.	14-0302	Nut, stop peg ( $\frac{7}{16}$ " U.N.F.)	..
33.	02-1967	Spring washer, bottom engine bolt ( $\frac{7}{16}$ " $\times$ $\frac{7}{8}$ " $\times$ 16 G.)	2
34.	14-0304	Nut, bottom engine bolt ( $\frac{7}{16}$ " U.N.F.)	2
35.	82-9641	Engine plate (left-hand)	..
36.	82-8918	Brake pedal bush	..
37.	82-8513	Brake pedal stop peg	..
38.	42-8034	Nut for "Oddie" clip	6
39.	42-5099	Lockwasher for "Oddie" clip	6
40.	68-9115	"Oddie" clip, sidecover	3
41.	82-9653	Anchor bolt, pillion footrest	2
42.	14-0402	Nut, swivel bolt ( $\frac{5}{16}$ " U.N.F.)	2
43.	36-0382	Lockwasher, swivel bolt	2
44.	04-2276	Washer, pillion footrest	2
45.	68-4835	Pillion footrest complete	2
46.	21-756*	Swivel bolt, pillion footrest ( $\frac{5}{16}$ " U.N.F. $\times$ 1")	2
47.	82-9684	Engine shield	..
48.	29-7583	Pillion footrest rubber	2
49.	65-8317	Screw for "Oddie" clip ( $\frac{1}{8}$ " $\times$ $\frac{1}{2}$ " )	6
50.	14-1302	Nut, rear engine plate bolt ( $\frac{5}{16}$ " U.N.F.)	5
51.	02-0923	Washer, rear engine plate bolt ( $\frac{5}{16}$ " $\times$ $\frac{5}{8}$ " $\times$ $\frac{1}{16}$ " )	5
52.	14-0221	Bolt, engine to right-hand engine plate ( $\frac{5}{16}$ " U.N.F. $\times$ 2")	2
53.	02-0923	Washer, rear engine plate bolt ( $\frac{5}{16}$ " $\times$ $\frac{5}{8}$ " $\times$ $\frac{1}{16}$ " )	5
54.	14-0115	Bolt, right-hand engine plate to frame ( $\frac{5}{16}$ " U.N.F. $\times$ $\frac{7}{8}$ " )	3
55.	14-0220	Bolt, engine to left-hand engine plate ( $\frac{5}{16}$ " U.N.F. $\times$ $1\frac{3}{4}$ " )	2
56.	02-0923	Washer, rear engine plate bolt ( $\frac{5}{16}$ " $\times$ $\frac{5}{8}$ " $\times$ $\frac{1}{16}$ " )	10
57.	82-8509	Spacer, rear engine plate (left-hand)	3
58.	14-1302	Nut, rear engine plate bolt ( $\frac{5}{16}$ " U.N.F.)	5
59.	14-0218	Bolt, left-hand engine plate to frame ( $\frac{5}{16}$ " U.N.F. $\times$ $1\frac{3}{8}$ " )	3

\*Special material: 14.—EN16T. 20.—EN16T. 24.—EN14B. 46.—EN14B.



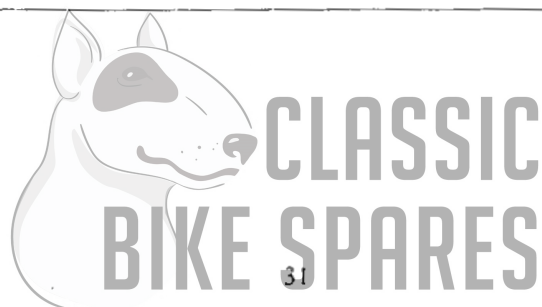


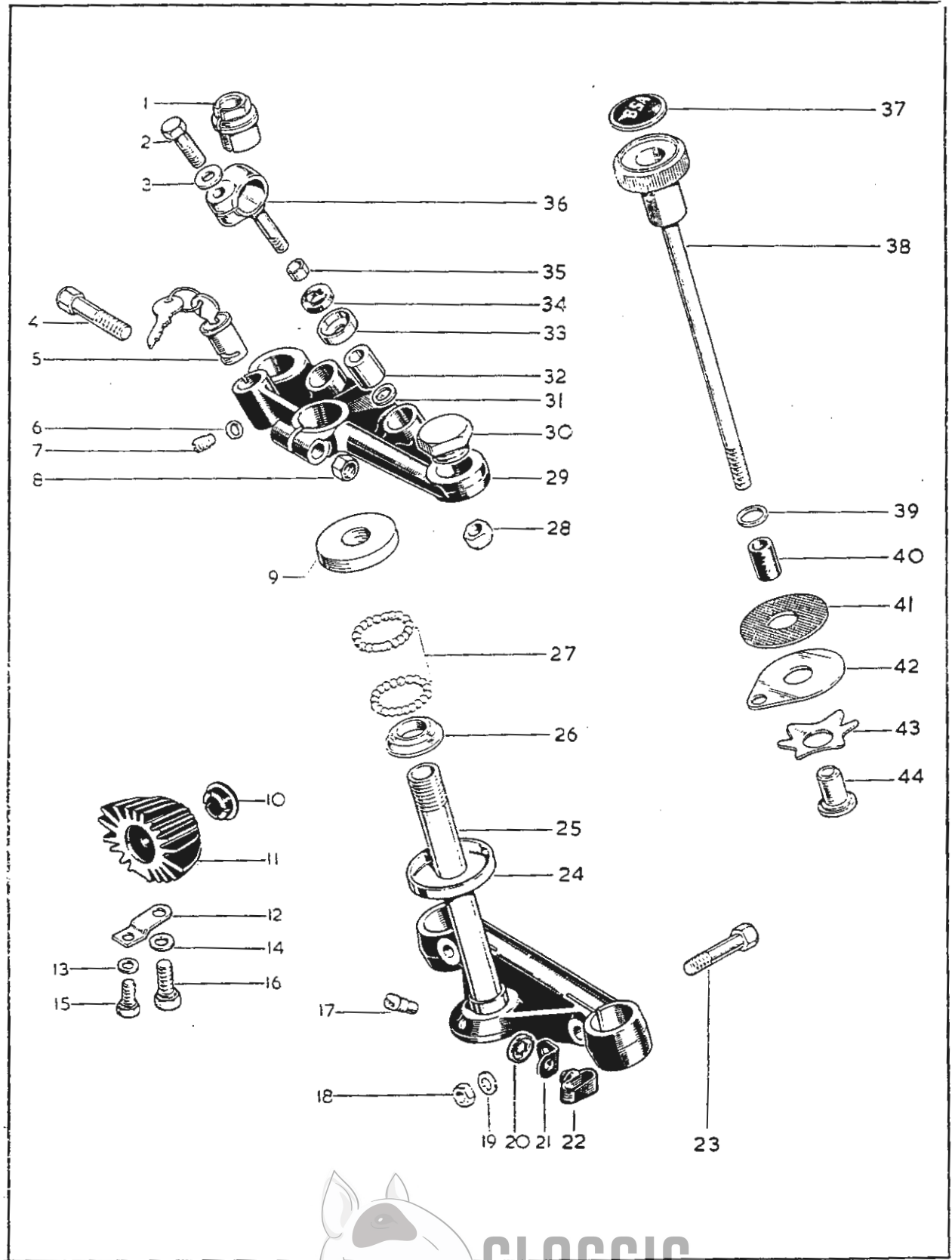


## Plate 10

## SWINGING ARM, CENTRE STAND, PROP STAND

Plate Ref.	Spares Number	Description	Per Set
1.	19-7447	Damper spring (solo) — Girling 64544120	2
2.	14-0235	Top bolt, damper mounting ( $\frac{3}{8}$ " U.N.F. $\times$ 2")	2
3.	19-7446	Rear damper complete (solo) — Girling 64052105	2
4.	19-5305	Top bush, rear damper — Girling 64533645	2
5.	70-8770	Washer, top damper mounting bolt	2
6.	14-1303	Nut, Top damper mounting bolt ( $\frac{3}{8}$ " U.N.F.)	2
7.	14-0401	Locknut, brake pedal stop ( $\frac{1}{4}$ " U.N.F.)	2
8.	14-0106	Screw, brake pedal stop ( $\frac{1}{4}$ " U.N.F. $\times$ 1 $\frac{1}{4}$ " )	2
9.	83-1641	Rear brake pedal	
10.	82-9665	Brake operating shaft	
11.	60-2683	Split pin, brake rod to pedal	
12.	40-2705	Washer, brake rod to pedal	
13.	83-1752	Rear brake rod	
14.	37-1467	Pivot pin, brake rod	
15.	82-7387	Adjuster nut, brake rod ( $\frac{1}{4}$ " U.N.F.)	
16.	82-9963	Swinging arm with bushes	
17.	15-5155	Washer, for bolt line 18	
18.	14-0217	Pinch bolt, brake pedal ( $\frac{5}{16}$ " U.N.F. $\times$ 1 $\frac{1}{4}$ " )	
19.	82-8468	Spindle, swinging arm	
20.	36-0382	Lockwasher, swinging arm spindle lock plate bolt ( $\frac{5}{16}$ " )	
21.	14-0113	Bolt, swinging arm spindle lock plate ( $\frac{5}{16}$ " U.N.F. $\times$ $\frac{3}{8}$ " )	
22.	14-0235	Bolt, rear damper bottom mounting ( $\frac{3}{8}$ " U.N.F. $\times$ 2")	2
23.	54-4307	Washer, rear damper bottom mounting	2
24.	19-5305	Bottom bush, rear damper — Girling 64533645	2
25.	02-2138	Washer, rear damper bottom mounting	2
26.	14-1303	Nut, rear damper bottom mounting ( $\frac{3}{8}$ " U.N.F.)	2
27.	54-4302	Washer, for grease nipple line 28	
28.	47-9012	Grease nipple, swinging arm	
29.	82-8475	Bush, swinging arm	2
30.	82-8478	Thrust bearing, swinging arm	2
31.	82-8477	Dust cap, swinging arm spindle	2
32.	42-4364	Lockwasher, swinging arm spindle nut	
33.	21-0755	Nut, swinging arm spindle ( $\frac{13}{16}$ " U.N.F.)	
34.	60-2683	Split pin, centre stand pivot ( $\frac{1}{16}$ " $\times$ $\frac{3}{8}$ " )	2
35.	15-0039	Washer, centre stand pivot ( $\frac{1}{2}$ " $\times$ 27/32" $\times$ $\frac{1}{16}$ " )	2
36.	03-1346	Spring washer, centre stand pivot (17/32" $\times$ $\frac{7}{8}$ " $\times$ 19 G.)	2
37.	82-8413	Centre stand	
38.	57-2331	Pedal rubber, centre stand	
39.	82-8382	Return spring, prop stand	
40.	82-8660	Prop stand leg	
41.	21-0769	Bolt, prop stand pivot ( $\frac{7}{16}$ " U.N.F. $\times$ 1 $\frac{5}{16}$ " )	
42.	14-0404	Locknut, prop stand pivot bolt ( $\frac{7}{16}$ " U.N.F.)	
43.	68-4708	Return spring, centre stand	
44.	54-4302	Washer, for grease nipple line 45	2
45.	47-9012	Grease nipple, centre stand	2
46.	82-8582	Coupling, centre stand pivot	
47.	82-8476	Spacer tube, swinging arm spindle	
48.	14-0405	Locknut, centre stand pivot bar ( $\frac{1}{2}$ " U.N.F.)	2
49.	83-1535	Pivot bar, centre stand	2





## Plate 11

## STEERING HEAD

Plate Ref.	Spares Number	Description	Per Set
1.	97-2108	Sleeve nut, steering column (1" U.N.F.) .. .. .	..
2.	21-0589	Bolt, handlebar clamp ( $\frac{5}{16}$ " U.N.F. $\times$ $1\frac{1}{8}$ " ) .. .. .	2
3.	82-1335	Washer, handlebar clamp ( $21/64$ " $\times$ $17/32$ " $\times$ $1/8$ " ) .. .. .	2
4.	21-0684*	Bolt, top yoke pinch ( $3/8$ " U.N.F. $\times$ $1\frac{5}{8}$ " ) .. .. .	..
5.	68-5050	Lock and key, steering (Wilmot Breedon 7-9398) .. .. .	..
6.	97-2266	Sealing washer .. .. .	..
7.	21-0578	Grub screw, steering lock .. .. .	..
8.	21-0685	Nut, pinch bolt ( $3/8$ " U.N.F.) .. .. .	..
9.	97-1018	Top cone with dust cap .. .. .	..
10.	97-2275	Heat sink plug .. .. .	..
11.	97-2237	Diode heat sink .. .. .	..
12.	97-2236	Heat sink bracket .. .. .	..
13.	54-8003	Washer, bracket to fork leg bolt .. .. .	..
14.	54-0022	Washer, bracket bolt .. .. .	..
15.	14-0113	Bolt, bracket to fork leg ( $\frac{5}{16}$ " U.N.F. $\times$ $5/8$ " ) .. .. .	..
16.	14-6102	Bolt, bracket to heat sink ( $1/4$ " U.N.C. $\times$ $5/8$ " ) .. .. .	..
17.	97-2107	Pin, damper adjusting sleeve .. .. .	..
18.	14-1303	Nut, bottom yoke pinch bolt ( $3/8$ " U.N.F.) .. .. .	2
19.	54-4307	Washer, pinch bolt .. .. .	..
20.	82-8245	Lockwasher, cable guide bracket .. .. .	..
21.	97-3682	Cable guide bracket .. .. .	2
22.	97-2270	Cable retainer .. .. .	..
23.	97-2290	Pinch bolt, bottom yoke ( $3/8$ " U.N.F. $\times$ $2\frac{1}{4}$ " ) .. .. .	2
24.	97-2622	Dust cover, bottom cone .. .. .	..
25.	97-2621	Bottom yoke assembly .. .. .	..
26.	97-0439	Bottom cone .. .. .	..
27.	97-2704	Steering head ball ( $1/4$ " diameter) .. .. .	40
28.	14-1903	Nut, handlebar clamp (Nyloc $3/8$ " U.N.F.) .. .. .	2
29.	97-2293	Top yoke .. .. .	..
30.	97-2245	Top cap nut, main stanchion .. .. .	2
31.	97-1529	Washer, handlebar clamp ( $25/64$ " $\times$ $7/8$ " $\times$ $3/32$ " ) .. .. .	4
32.	97-1527	Bush, handlebar clamp .. .. .	2
33.	97-2221	Cup, handlebar mounting .. .. .	2
34.	97-1580	Rubber, handlebar mounting .. .. .	2
35.	97-1581	Distance piece, handlebar mounting .. .. .	2
36.	97-2291*	Handlebar clamp .. .. .	2
37.	68-8166	Badge, damper knob .. .. .	..
38.	97-3602	Damper rod complete .. .. .	..
39.	97-0565	Abutment washer .. .. .	..
40.	97-1618	Rubber bush .. .. .	..
41.	97-0435	Damper friction disc .. .. .	..
42.	97-1797	Damper anchor plate .. .. .	..
43.	97-0095	Damper spring plate .. .. .	..
44.	97-3601	Damper adjusting sleeve .. .. .	..

\*Special material: 4.—EN8R. 36.—EN16.

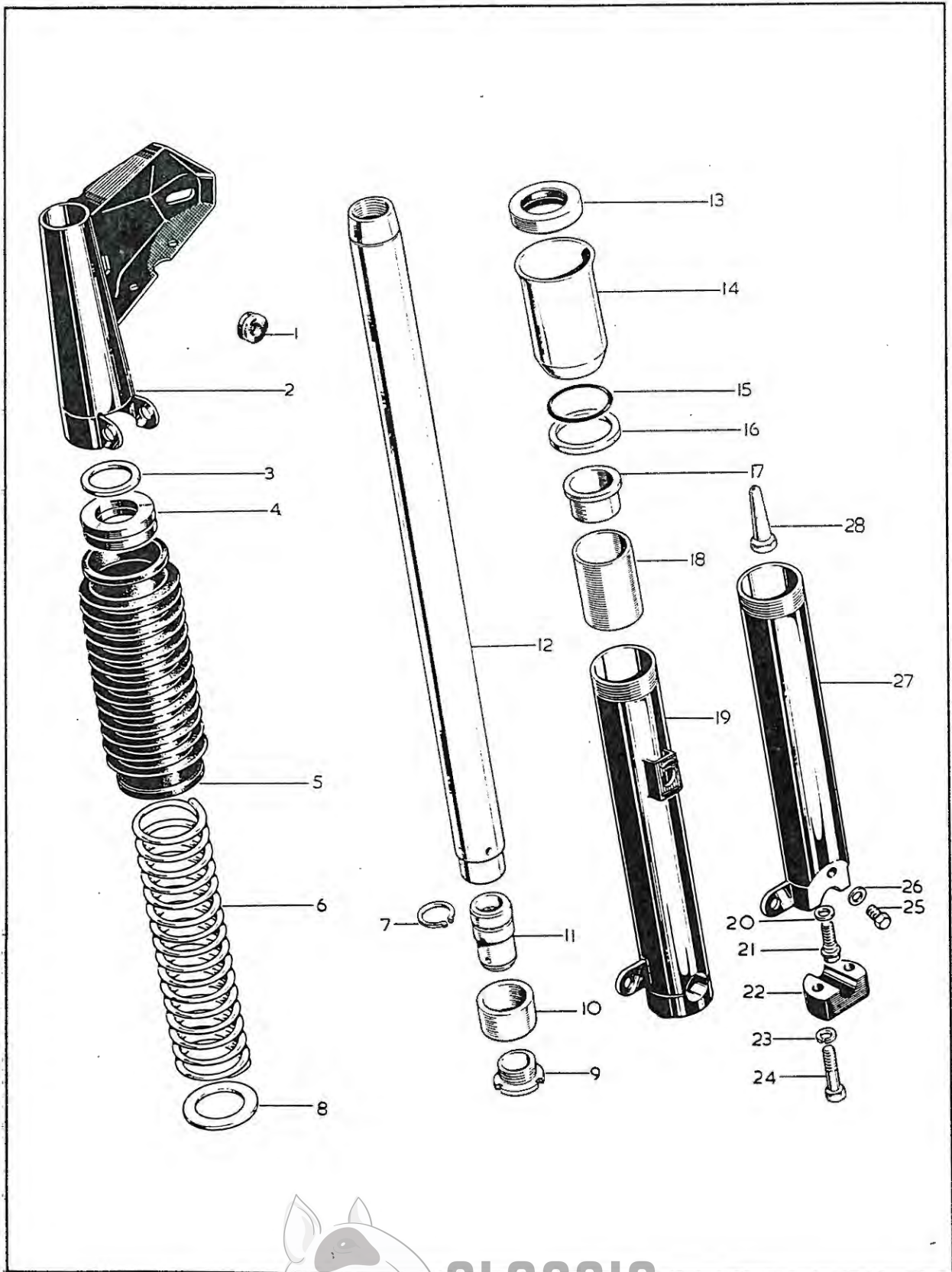
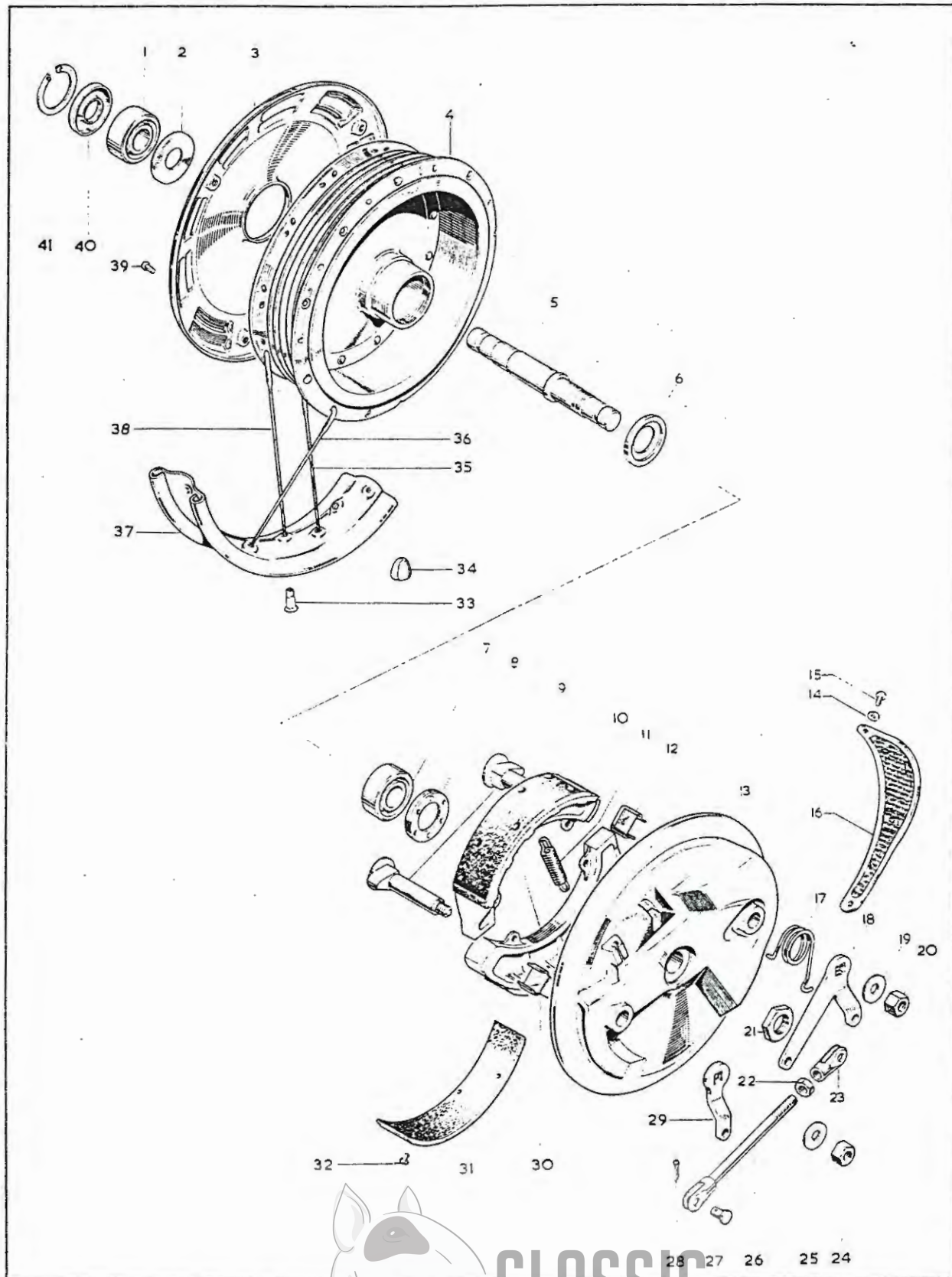


Plate 12

FRONT FORKS

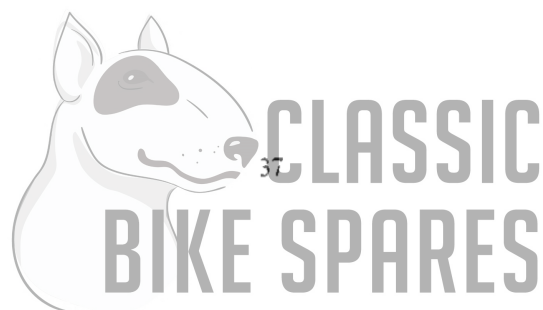
Plate Ref.	Spares Number	Description	Per Set
1.	97-1971	Cable grommet, headlamp bracket .. .. .	4
2.	97-2300	Outer cover (left-hand) .. .. .	
2.	97-2301	Outer cover (right-hand) .. .. .	
3.	82-4047	Cork washer .. .. .	2
4.	97-1657	Spring abutment (top) .. .. .	2
5.	97-3635	Fork rubber gaiter .. .. .	2
6.	97-1892	Main spring .. .. .	2
7.	97-2127	Circlip, shuttle .. .. .	2
8.	97-1656	Spring support (lower) .. .. .	2
9.	97-2091	Nut, hydraulic stop (1-1/16" U.N.F.) .. .. .	2
10.	75-5104	Lower bush .. .. .	2
11.	97-2154	Shuttle, damping .. .. .	2
12.	97-3904	Stanchion .. .. .	2
13.	75-5099	Oil seal .. .. .	2
14.	97-3633	Lower cover tube .. .. .	2
15.	75-5199	"O" ring, sleeve .. .. .	2
16.	75-5088	Outer retaining washer .. .. .	2
17.	75-5105	Upper bush .. .. .	2
18.	75-5091	Inner sleeve .. .. .	2
19.	97-3921	Outer member (left-hand) .. .. .	
20.	40-5069	Sealing washer .. .. .	2
21.	97-2126	Bolt, restrictor (1/4" U.N.F. · 1-3 32") .. .. .	2
22.	75-5095	Cap, outer member .. .. .	2
23.	54-8003	Washer, cap bolt .. .. .	4
24.	14-0218	Bolt, outer member cap (5/16" U.N.F. × 1 3/8") .. .. .	4
25.	97-0519	Drain plug .. .. .	2
26.	54-0042	Drain plug joint washer .. .. .	2
27.	97-3922	Outer member (right-hand) .. .. .	
28.	97-2090	Restrictor, damping .. .. .	2
	97-3911	Fork complete .. .. .	





## FRONT WHEEL

Plate Ref.	Spares Number	Description	Per Set
1.	42-5819	Bearing (Hoffman 120)	.. .. .
2.	37-1481	Grease retaining cap (left-hand)	.. .. .
3.	37-2240	Nave plate	.. .. .
4.	37-3317	Front hub with spindle and bearings	.. .. .
5.	37-3582	Wheel spindle	.. .. .
6.	37-3337	Backing ring	.. .. .
7.	42-5819	Bearing (Hoffman 120)	.. .. .
8.	42-6335	Bearing retainer	.. .. .
9.	37-2001	Brake cam	.. .. .
10.	37-1996	Brake shoe complete	.. .. .
11.	42-5841	Brake shoe spring	.. .. .
12.	37-2026	Brake shoe abutment pad	.. .. .
13.	37-2129	Brake anchor plate with gauze, less brake details	.. .. .
14.	82-2351	Washer, for screw line 15	.. .. .
15.	21-1998	Screw, gauze fixing (Tapite 4-40 x $\frac{5}{16}$ " )	.. .. .
16.	37-1991	Gauze shield, air scoop	.. .. .
17.	37-3522	Brake lever return spring	.. .. .
18.	37-3453	Brake lever (front)	.. .. .
19.	37-2027	Washer, lever fixing nut (1-1/32" x 17/32" x 13 G.)	.. .. .
20.	14-0303	Nut, lever fixing ( $\frac{3}{8}$ " U.N.F.)	.. .. .
21.	21-1995	Brake anchor plate nut	.. .. .
22.	14-0401	Brake rod fork end locknut ( $\frac{1}{4}$ " U.N.F.)	.. .. .
23.	37-2005	Brake rod fork end	.. .. .
24.	14-0303	Nut, rear lever fixing ( $\frac{3}{8}$ " U.N.F.)	.. .. .
25.	37-2027	Washer, rear lever fixing nut (1-1/32" x 17/32" x 13 G.)	.. .. .
26.	37-2003	Brake rod	.. .. .
27.	42-5836	Brake rod pivot pin	.. .. .
28.	60-2683	Split pin, pivot pin fixing ( $\frac{1}{16}$ " x $\frac{3}{8}$ " )	.. .. .
29.	37-3454	Brake lever (rear)	.. .. .
30.	37-2026	Brake shoe abutment pad	.. .. .
31.	19-7734	Brake lining	.. .. .
32.	37-2059	Brake lining rivet	.. .. .
33.	42-5812	Spoke nipple	.. .. .
34.	37-1197	Balance weight ( $\frac{3}{4}$ " )	.. .. .
35.	37-1198	Balance weight (1" )	.. .. .
35.	37-1709	Spoke (right-hand inner)	.. .. .
36.	37-1708	Spoke (right-hand outer)	.. .. .
37.	37-1230	Rim (WM2-19, steel)	.. .. .
38.	37-1328	Spoke (left-hand)	.. .. .
39.	37-2092	Screw, nave plate fixing (4 B.A. x $\frac{1}{4}$ " )	.. .. .
40.	42-5820	Dust cap	.. .. .
41.	57-0280	Circlip, dust cap fixing	.. .. .
	37-3312	Wheel complete with spindle and bearings	.. .. .
	37-3461	Brake anchor plate complete with brake details	.. .. .



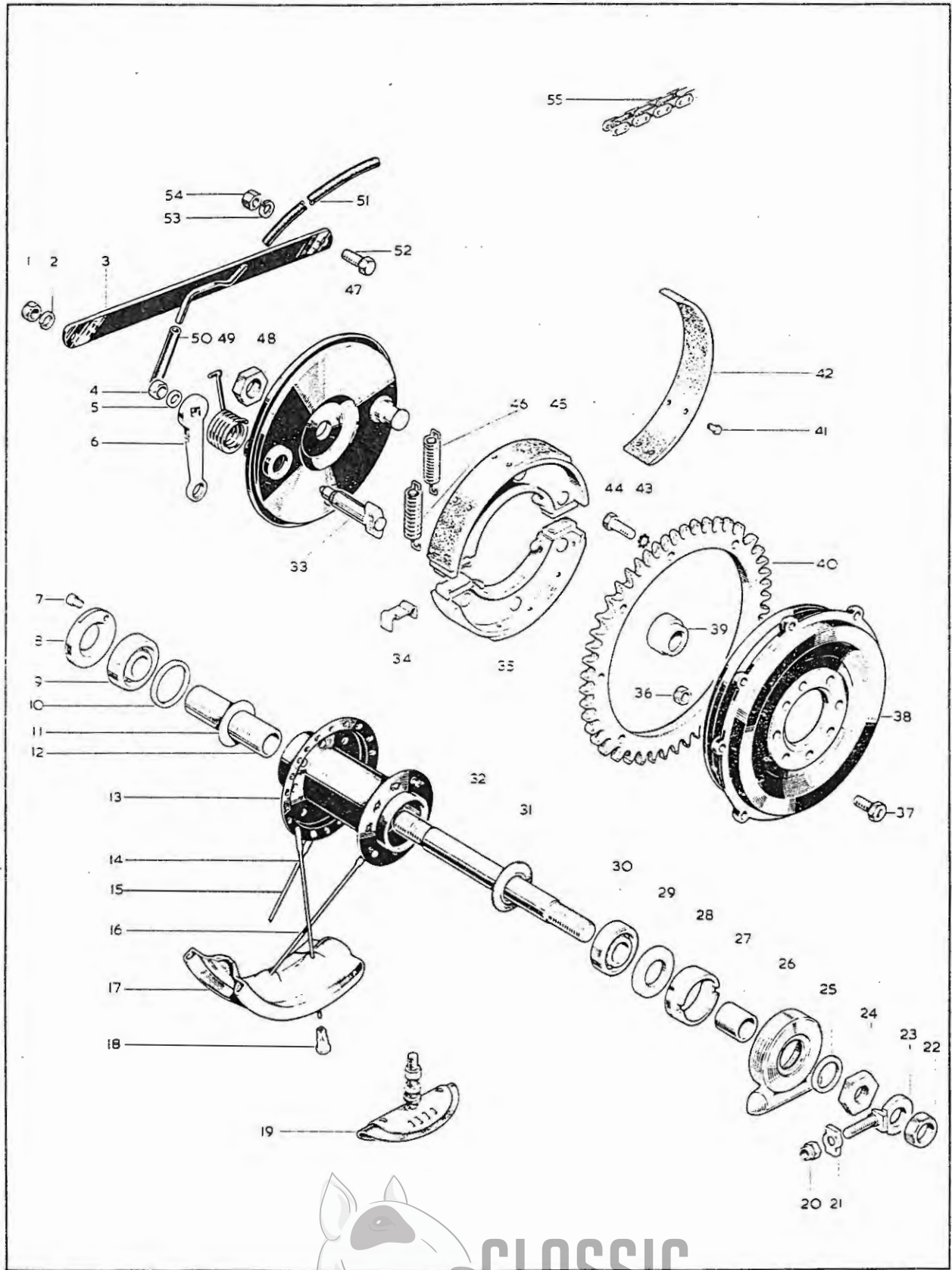




Plate Ref.	Spares Number	Description	Per Set
1.	14-0304	Nut, torque stay to brake plate ( $\frac{7}{16}$ " U.N.F.)	
2.	40-4071	Spring washer, for nut line 1	
3.	83-1687	Torque stay, brake plate	
4.	14-0403	Nut, brake lever to cam spindle ( $\frac{3}{8}$ " U.N.F.)	
5.	37-2027	Washer, for nut line 4	
6.	37-2015	Lever, brake plate	
7.	37-1710	Locking screw, bearing retainer (drive-side)	
8.	37-3587	Bearing retainer (drive-side)	
9.	42-5819	Bearing, drive-side (Hoffman 120)	
10.	37-1022	Backing ring, drive-side bearing	
11.	37-1474	Grease retainer (drive-side)	
12.	37-1278	Spacer tube	
13.	37-3623	Hub with spindle and bearings	
14.	37-3575	Spoke (drive-side inner)	10
15.	37-1104	Spoke (drive-side outer)	10
16.	37-1106	Spoke (timing-side)	20
17.	37-0270	Wheel rim (WM3-19)	
18.	42-5812	Spoke nipple	40
19.	37-3468	Security bolt	2
20.	14-1902	Nut, wheel adjuster ( $\frac{7}{16}$ " U.N.F.)	2
21.	40-6040	End plate, wheel adjuster	2
22.	21-0585	Nut, outer spindle ( $\frac{3}{4}$ " U.N.E.F.)	2
23.	37-2089	Wheel adjuster	2
24.	21-2013	Retaining nut (timing-side $\frac{3}{4}$ " U.N.E.F.)	
25.	37-1280	Washer, for nut line 24	
26.	19-9221	Speedometer gearbox. m.p.h. and k.p.h. (Smiths BG.5330/168)	
27.	37-1477	Distance piece	
28.	37-3588	Speedometer drive ring	
29.	37-1654	Inner dust cap (timing-side)	
30.	42-5819	Bearing (Hoffman 120)	
31.	37-1635	Grease retainer (timing-side)	
32.	37-3589	Wheel spindle	
33.	37-3592	Brake cam spindle	
34.	41-6078	Pivot pad for brake shoe	2
35.	41-6076	Trailing brake shoe	
36.	14-1202	Nut, brake drum to hub ( $\frac{5}{16}$ " U.N.F.)	8
37.	21-2011*	Bolt, brake drum to hub ( $\frac{5}{16}$ " U.N.F. $\times$ $\frac{3}{4}$ ")	8
38.	37-3585	Brake drum	
39.	37-1024	Distance piece, drive-side bearing	
40.	37-3412	Sprocket (53 teeth)	
41.	35-6436	Rivet, brake lining	16
42.	19-7711	Brake lining	2
43.	29-0541	Lockwasher, for bolt line 44	8
44.	21-2010*	Bolt, sprocket to brake drum ( $\frac{1}{4}$ " U.N.F. $\times$ $\frac{13}{16}$ ")	8
45.	41-6073	Leading brake shoe	
46.	42-5841	Spring, brake shoe	2
47.	37-3590	Brake anchor plate less brake details	
48.	21-2014	Nut, inner drive-side spindle	
49.	37-1090	Return spring, brake lever	
50.	82-9997	Chain oiler pipe (short)	
51.	82-8919	Chain oiler pipe (long)	
52.	21-1802	Bolt, anchor strap to swinging arm ( $\frac{7}{16}$ " U.N.F. $\times$ $\frac{27}{32}$ ")	
53.	40-4071	Spring washer, for nut line 54	
54.	14-0304	Nut, for bolt line 51 ( $\frac{7}{16}$ " U.N.F.)	
55.	19-8693	Rear chain ( $\frac{5}{8}$ " $\times$ $\frac{3}{8}$ " $\times$ 108 pitch)	
	37-3622	Rear wheel with spindle and bearings	
	37-3608	Rear brake anchor plate with brake details	

\*Special material: 37. — EN8R. 44. — EN8R.

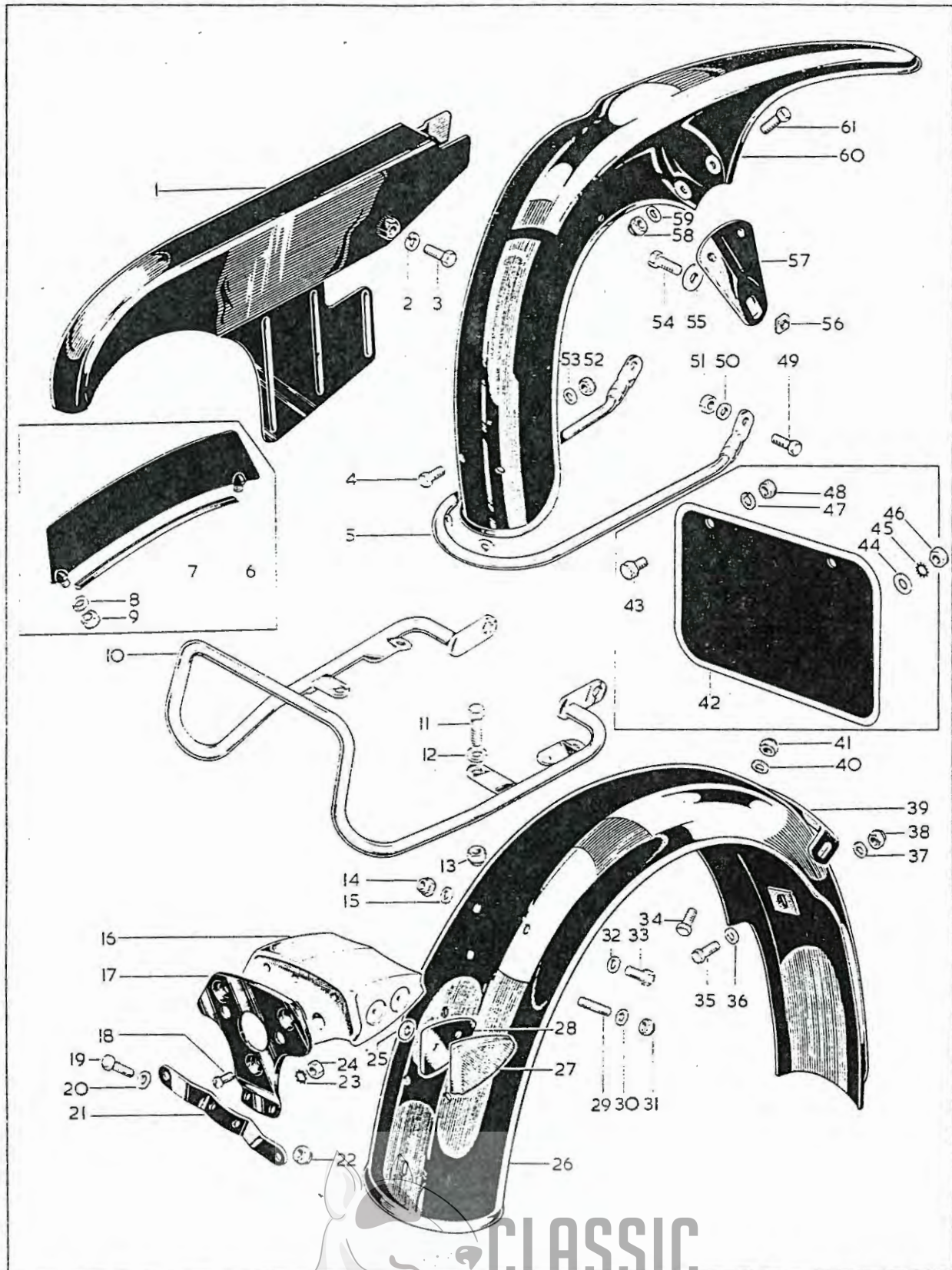


Plate 15

HANDRAIL, MUDGUARDS, CHAINGUARD

Plate Ref.	Spares Number	Description	Per Set
1.	82-8490	Rear chainguard .. .. .	1
2.	29-0541	Spring washer, chainguard bolt .. .. .	1
3.	14-0206	Chainguard bolt, front fixing ( $\frac{1}{4}$ " U.N.F. $\times$ $1\frac{3}{4}$ " ) .. .. .	1
4.	14-0101	Bolt, stay to mudguard ( $\frac{1}{4}$ " U.N.F. $\times$ $\frac{1}{2}$ " ) .. .. .	2
5.	97-3897	Front mudguard stay .. .. .	1
6.	68-6524*	Front number plate .. .. .	1
7.	42-6558*	Number plate beading .. .. .	1
8.	82-9020*	Spring washer, number plate .. .. .	2
9.	02-2395*	Nut, front number plate ( $\frac{1}{4}$ " B.S.C.) .. .. .	2
10.	82-8485	Handrail .. .. .	1
11.	21-1990	Bolt, handrail to frame ( $\frac{5}{16}$ " U.N.F. $\times$ $\frac{5}{8}$ " ) .. .. .	2
12.	15-5155	Washer, handrail to frame ( $\frac{5}{16}$ " $\times$ $\frac{1}{2}$ " $\times$ .048") .. .. .	2
13.	14-1202	Nut, handrail to frame ( $\frac{5}{16}$ " U.N.F.) .. .. .	2
14.	14-1301	Nut, mudguard to frame ( $\frac{1}{4}$ " U.N.F.) .. .. .	2
15.	27-8560	Washer, mudguard to frame .. .. .	2
16.	82-9327	Rear lamp support .. .. .	1
17.	68-6829	Rear lamp support plate .. .. .	1
18.	54-9012	Screw, plate to support (2 B.A. - 13 32") .. .. .	3
19.	14-0101	Bolt, number plate bracket ( $\frac{1}{4}$ " U.N.F. $\times$ $1\frac{1}{2}$ " ) .. .. .	2
20.	54-9081	Washer, number plate bracket .. .. .	4
21.	68-6830	Number plate bracket .. .. .	1
22.	14-1201	Nut, number plate bracket bolt ( $\frac{1}{4}$ " U.N.F.) .. .. .	2
23.	54-0170	Lockwasher (bottom screw only) .. .. .	1
24.	21-5161	Nut for bottom screw (2 B.A.) .. .. .	1
25.	82-8195	Push-fix, rear side reflector .. .. .	4
26.	82-8528	Rear mudguard (U.S.A.) .. .. .	1
26.	83-1632	Rear mudguard (standard) .. .. .	1
27.	19-0943	Rear side reflector (Lucas 57111) .. .. .	2
28.	82-8140	Rubber pad, side reflector .. .. .	2
29.	21-0547	Stud, rear lamp support ( $\frac{1}{4}$ " U.N.C./U.N.F. $\times$ $\frac{7}{8}$ " ) .. .. .	1
30.	42-5575	Washer, support stud .. .. .	1
31.	14-1201	Nut, support stud ( $\frac{1}{4}$ " U.N.F.) .. .. .	1
32.	27-8560	Washer, mudguard to frame ( $\frac{1}{4}$ " $\times$ $\frac{5}{8}$ " $\times$ .048") .. .. .	2



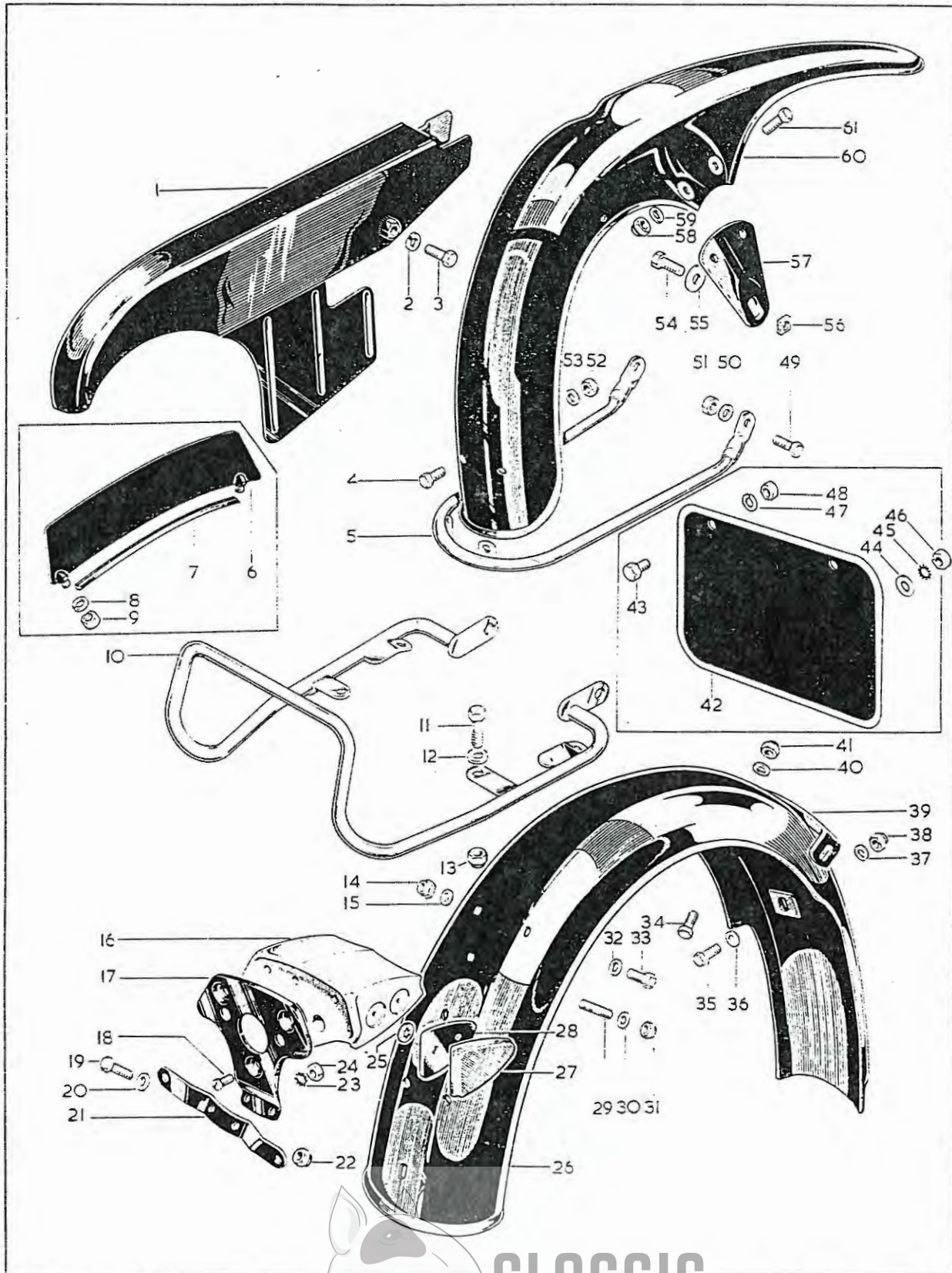


Plate 15--continued

HANDRAIL, MUDGUARDS, CHAINGUARD

Plate Ref.	Spare Number	Description	Per Set
33.	14-0101	Bolt, mudguard to frame ( $\frac{1}{4}$ " U.N.F. $\times$ $\frac{1}{2}$ " )	2
34.	14-0113	Bolt, bridge to mudguard ( $\frac{5}{16}$ " U.N.F. $\times$ $\frac{5}{8}$ " )	2
35.	14-0101	Bolt, mudguard to frame ( $\frac{1}{4}$ " U.N.F. $\times$ $\frac{1}{2}$ " )	2
36.	27-8560	Washer, mudguard to frame	2
37.	27-8560	Washer, mudguard to frame	2
38.	14-1301	Nut, mudguard to frame ( $\frac{1}{4}$ " U.N.F.)	2
39.	82-8518	Rear mudguard bridge	1
40.	02-0923	Washer, bridge to mudguard	2
41.	14-1302	Nut, bridge to mudguard ( $\frac{5}{16}$ " U.N.F.)	2
42.	68-6837*	Rear number plate	1
43.	14-0604*	Top mounting bolt	2
44.	27-8560*	Washer, rear number plate	1
45.	29-0541*	Lockwasher, rear number plate	1
46.	21-5102	Nut, rear number plate ( $\frac{1}{4}$ " B.S.F.)	1
47.	82-9020	Spring washer, rear number plate	2
48.	14-0301	Nut, rear number plate ( $\frac{1}{4}$ " U.N.F.)	2
49.	14-0114	Bolt, stay to fork ( $\frac{5}{16}$ " U.N.F. $\times$ $\frac{3}{4}$ " )	2
50.	54-0055	Washer, stay to fork ( $\frac{5}{16}$ " $\times$ $\frac{5}{8}$ " $\times$ $\frac{1}{16}$ " )	2
51.	14-0702	Nut, stay to fork ( $\frac{5}{16}$ " U.N.F.)	2
52.	14-1301	Nut, stay to mudguard ( $\frac{1}{4}$ " U.N.F.)	2
53.	02-0525	Washer, stay to mudguard ( $\frac{1}{4}$ " $\times$ $\frac{1}{2}$ " $\times$ .048")	2
54.	21-1822	Bolt, bracket to fork ( $\frac{5}{16}$ " U.N.F. $\times$ $\frac{1}{2}$ " )	2
55.	54-5504	Washer, bracket to fork	2
56.	97-3926	Square nut, bracket to fork ( $\frac{5}{16}$ " U.N.F.)	2
57.	82-8520	Front mudguard bracket	2
58.	14-1301	Nut, mudguard to bracket ( $\frac{1}{4}$ " U.N.F.)	4
59.	02-0525	Washer, mudguard to bracket	4
60.	97-3919	Front mudguard (standard)	1
60.	97-3896	Front mudguard (U.S.A.)	1
61.	14-0101	Bolt, mudguard to bracket ( $\frac{1}{4}$ " U.N.F. $\times$ $\frac{1}{2}$ " )	4

\*Except U.S.A. models



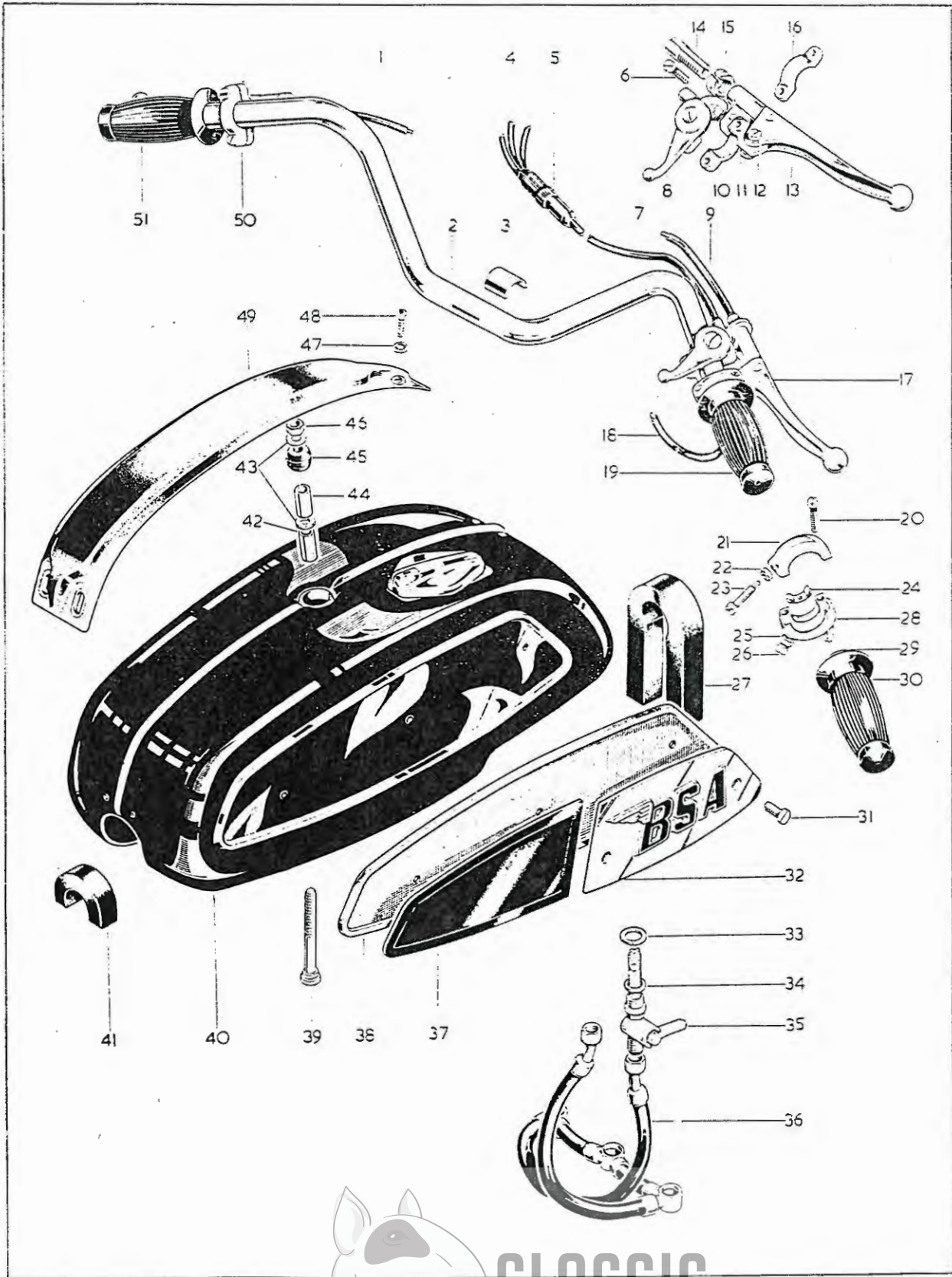


Plate 16

PETROL TANK, HANDLEBAR AND CONTROLS

Plate Ref.	Spares Number	Description	Per Set
	B.S.A. NO.	MAKERS NO.	
1.	60-2445	Clutch control cable .. .. .	
2.	40-4960	Handlebar .. .. .	
3.	75-4909	Handlebar sleeve .. .. .	4
4.	60-2060	Air control cable, right-hand (carburetter to junction box) ..	
4.	60-2061	Air control cable, centre (carburetter to junction box) ..	
4.	60-2062	Air control cable, left-hand (carburetter to junction box) ..	
5.	60-1978	Junction box, air control cable .. .. .	
6.		11/014 Brake lever clamp screw (short) .. .. .	
6.		11/013 Brake lever clamp screw (long) .. .. .	
6.		11/014 Clutch lever clamp screw .. .. .	2
7.	60-1968	Air control cable, junction box to lever .. .. .	
8.		12/556 Air control lever assembly .. .. .	
9.	60-2076	Front brake cable complete .. .. .	
10.		19/001 Brake control lever body .. .. .	
10.		19/002 Clutch control lever body .. .. .	
11.		18/053 Clutch and brake lever fulcrum pin nut .. .. .	2
12.		18/087 Clutch and brake lever fulcrum pin .. .. .	2
13.		18/754 Brake lever only .. .. .	
13.		18/752 Clutch lever only .. .. .	
14.	60-2071	18/1708 Brake and clutch cable adjuster ( $\frac{3}{8}$ " U.N.F.) .. .. .	2
15.	60-2072	18/1709 Brake and clutch cable adjuster locknut ( $\frac{3}{8}$ " U.N.F.) .. .. .	2
16.		12/595 Clutch lever clamp .. .. .	
17.	60-2241	19/978M Front brake and air control complete .. .. .	
18.	60-2202	Throttle control cable .. .. .	
19.	19-7237	364/11 Throttle control complete .. .. .	
20.		11/013 Body screw, throttle control .. .. .	2
21.		364/013 Body top half, throttle control .. .. .	
22.		5/077 Locknut, rotor stop screw .. .. .	
23.		364/020 Adjusting screw, rotor stop .. .. .	
24.		16/008 Friction spring, throttle control .. .. .	
25.		16/010 Locknut, friction spring screw .. .. .	



Plate 16—Contd.

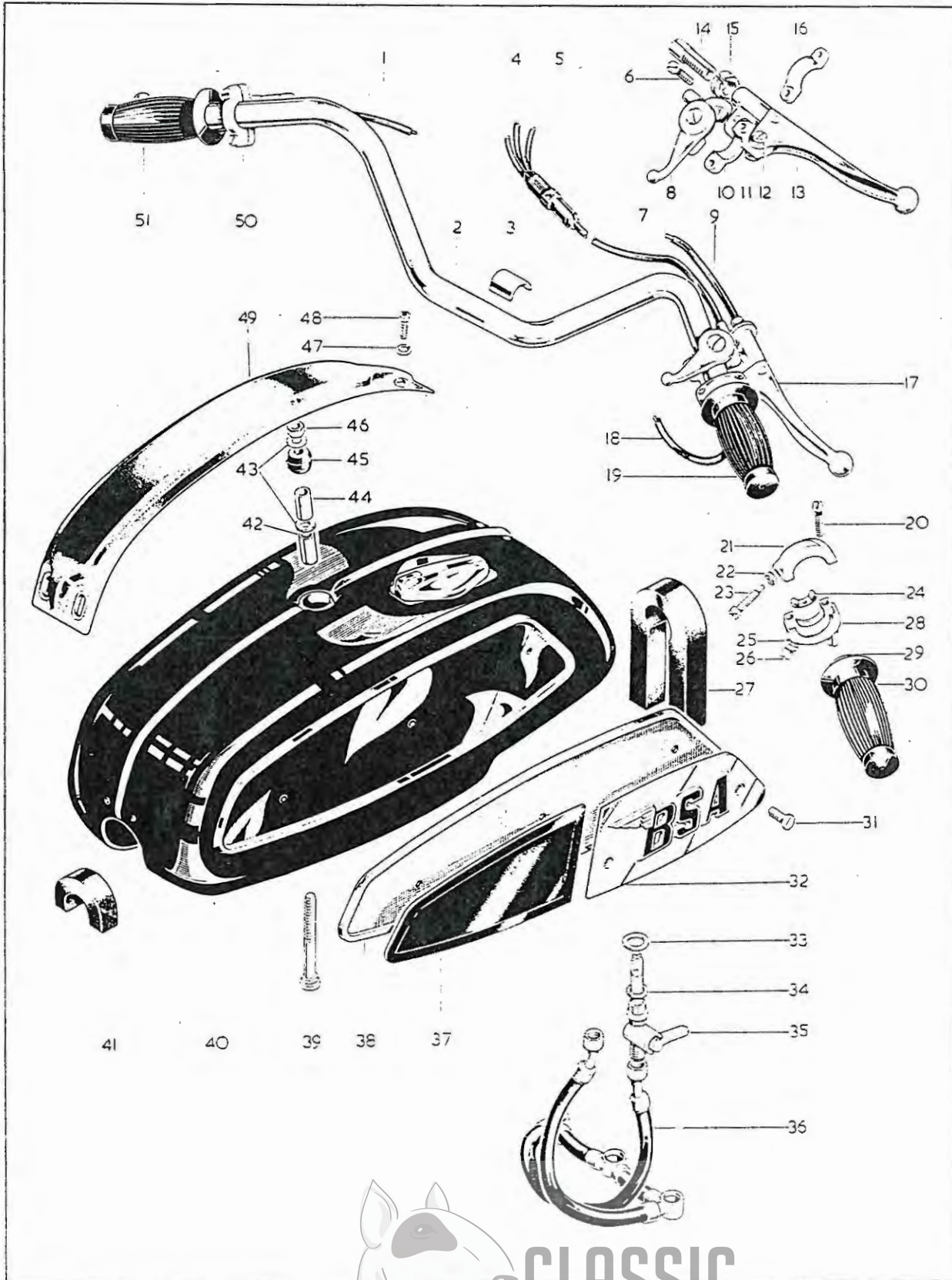




Plate 16—Contd.

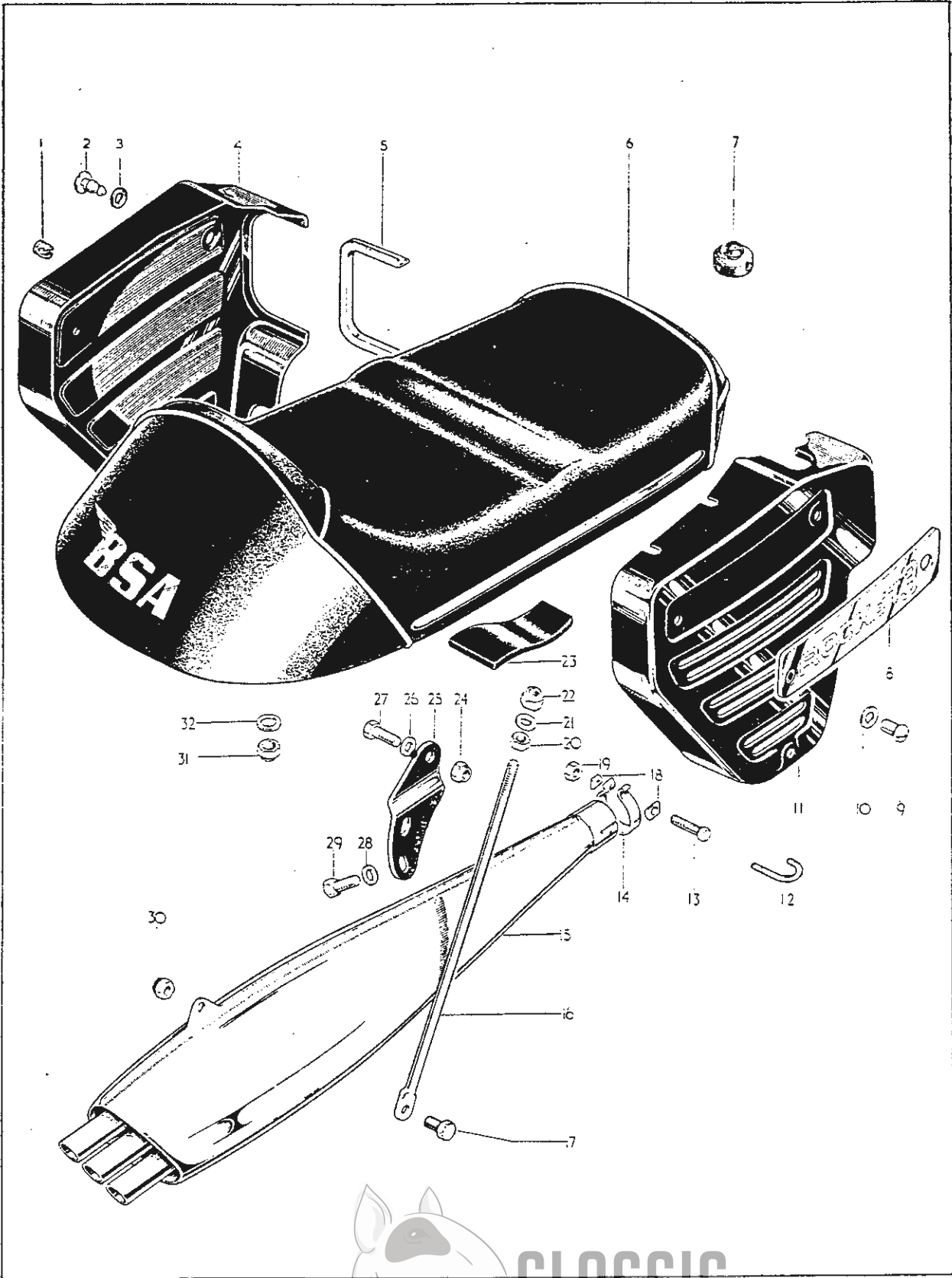
PETROL TANK, HANDLEBAR AND CONTROLS

Plate Ref.	Spares Number	Description	Per Set
	B.S.A. NO.	MAKERS NO.	
26.		16/009 Screw, friction spring .. .. .	
27.	82-9919	Tank mounting rubber (front) .. .. .	
28.		364/014 Body bottom half, throttle control .. .. .	
29.		364/017 Rotor, throttle control .. .. .	
30.	19-7222	Handlebar grip (right-hand) .. .. .	
31.	21-6206	Screw, badge and panel mounting (2 B.A. $\times \frac{1}{2}$ " ) .. .. .	6
32.	82-8610	Tank badge (left-hand) .. .. .	
32.	82-8611	Tank badge (right-hand) .. .. .	
33.	83-0002	Seal washer, petrol tap .. .. .	2
34.	70-7351	Petrol tap seal .. .. .	2
35.	82-4972	Main petrol tap .. .. .	
35.	82-4971	Reserve petrol tap .. .. .	
36.	82-9436	Petrol pipe assembly .. .. .	
37.	82-8591	Knee grip (right-hand) .. .. .	
37.	82-8590	Knee grip (left-hand) .. .. .	
38.	82-8589	Tank panel (right-hand) .. .. .	
38.	82-8588	Tank panel (left-hand) .. .. .	
39.	21-1993	Tank mounting bolt ( $\frac{5}{16}$ " U.N.F. $\times 3\frac{5}{16}$ " ) .. .. .	
40.	82-8391	Petrol tank with fixed fittings .. .. .	
41.	82-9920	Tank mounting rubber (rear) .. .. .	
42.	82-8327	Spacer tube, tank mounting .. .. .	
43.	03-0101	Washer, tank mounting .. .. .	2
44.	76-4120	Spacer tube, tank mounting .. .. .	
45.	40-8085	Tank mounting rubber .. .. .	
46.	14-0302	Nut, for bolt line 39 ( $\frac{5}{16}$ " U.N.F.) .. .. .	
47.	82-8947	Washer, for screw line 48 .. .. .	4
48.	82-8946	Screw, petrol tank styling strip (2 B.A. $\times \frac{5}{8}$ " ) .. .. .	4
49.	82-8609	Petrol tank styling strip .. .. .	
50.	60-2242	19/952M Clutch control complete .. .. .	
51.	68-8717	Handlebar grip (left-hand) .. .. .	

Note:—Where no B.S.A. part number is quoted, the part is only available from the makers.



Plate 17



## TWINSEAT, SIDECOVERS, SILENCERS

Plate Ref.	Spares Number	Description	Per Set
1.	97-2273	Clutch cable clip .. .. .	
2.	68-9223	"Oddie" stud, left-hand sidecover .. .. .	
2.	83-1430	Sidecover fastener .. .. .	2
3.	68-9226	"Oddie" stud rubber .. .. .	3
4.	82-8850	Sidecover complete (left-hand) .. .. .	
5.	82-8744	Styling strip, sidecovers .. .. .	2
6.	82-8942	Twinseat complete .. .. .	
7.	40-8046	Front mounting rubber, twinseat .. .. .	2
8.	60-0853	Sidecover name plate (right-hand) .. .. .	
8.	60-0354	Sidecover name plate (left-hand) .. .. .	
9.	21-0767	Screw, sidecover to oil tank ( $\frac{1}{4}$ " U.N.F. $\times$ $\frac{7}{16}$ ") .. .. .	
9.	21-1979	Screw, sidecover to oil tank .. .. .	2
10.	82-9964	Rubber washer, sidecover to oil tank screw .. .. .	3
11.	82-8849	Sidecover complete (right-hand) .. .. .	
12.	83-1456	Protective strip, sidecover (right-hand) .. .. .	
13.	14-0219	Bolt, silencer to exhaust pipe clip ( $\frac{5}{16}$ " U.N.F. $\times$ $1\frac{1}{2}$ ") .. .. .	2
14.	54-2537	Clip, silencer to exhaust pipe .. .. .	2
15.	70-9037	Silencer (right-hand) .. .. .	
15.	70-9036	Silencer (left-hand) .. .. .	
16.	82-8519	Silencer support stay .. .. .	2
17.	14-0101	Bolt, support stay to silencer ( $\frac{1}{4}$ " U.N.F. $\times$ $\frac{1}{2}$ ") .. .. .	2
18.	75-2719	Saddle washer, silencer clip .. .. .	4
19.	14-1302	Nut, silencer clip bolt ( $\frac{5}{16}$ " U.N.F.) .. .. .	2
20.	14-0302	Nut, support stay to handrail ( $\frac{5}{16}$ " U.N.F.) .. .. .	2
21.	02-0923	Washer, support stay to handrail ( $\frac{5}{16}$ " $\times$ $\frac{5}{8}$ " $\times$ $\frac{1}{16}$ ") .. .. .	2
22.	14-1902	Nut, support stay to handrail ( $\frac{5}{16}$ " U.N.F.) .. .. .	2
23.	82-8667	Support rubber, twinseat .. .. .	2
24.	14-1303	Nut, bracket to silentbloc ( $\frac{3}{8}$ " U.N.F.) .. .. .	2
25.	82-8584	Silencer bracket (left-hand) .. .. .	
25.	82-8583	Silencer bracket (right-hand) .. .. .	
26.	02-1733	Washer, bracket to silentbloc .. .. .	2
27.	14-0129	Bolt, bracket to silentbloc ( $\frac{3}{8}$ " U.N.F. $\times$ $1\frac{1}{4}$ ") .. .. .	2
28.	76-0012	Washer, bracket to silencer—left-hand ( $21/64$ " $\times$ $9/16$ " $\times$ $3/32$ ") .. .. .	2
28.	54-8003	Washer, bracket to silencer—right-hand .. .. .	2
29.	14-0113	Bolt, bracket to silencer—left-hand ( $\frac{5}{16}$ " U.N.F. $\times$ $\frac{5}{8}$ ") .. .. .	2
29.	21-1822	Bolt, bracket to silencer—right-hand ( $\frac{5}{16}$ " U.N.F. $\times$ $\frac{1}{2}$ ") .. .. .	2
30.	14-1301	Nut, support stay to silencer bolt ( $\frac{1}{4}$ " U.N.F.) .. .. .	2
31.	14-1202	Nut, twinseat mounting ( $\frac{5}{16}$ " U.N.F.) .. .. .	2
32.	15-5155	Washer, twinseat mounting ( $\frac{5}{16}$ " $\times$ $\frac{5}{8}$ " $\times$ .040") .. .. .	2



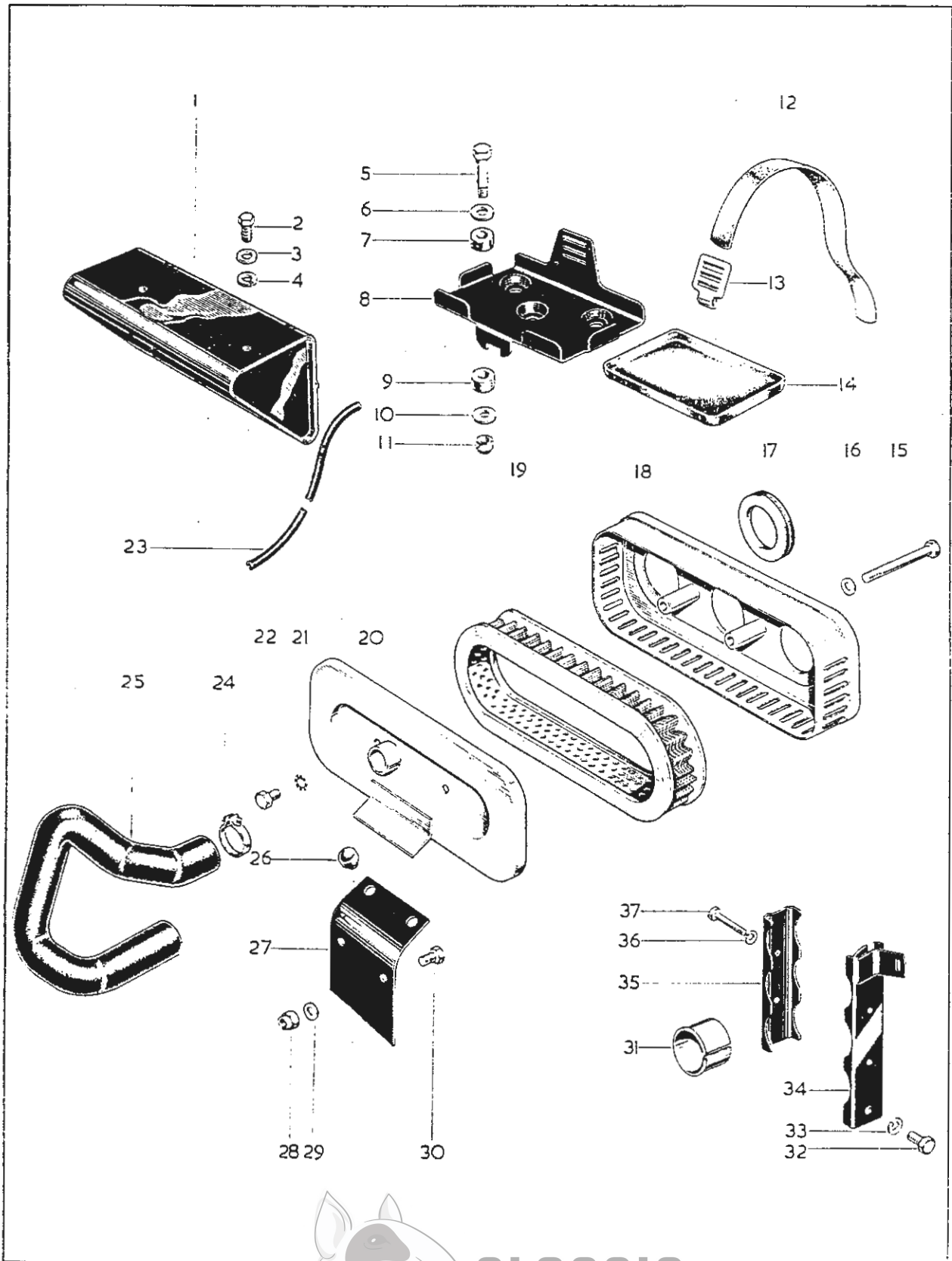
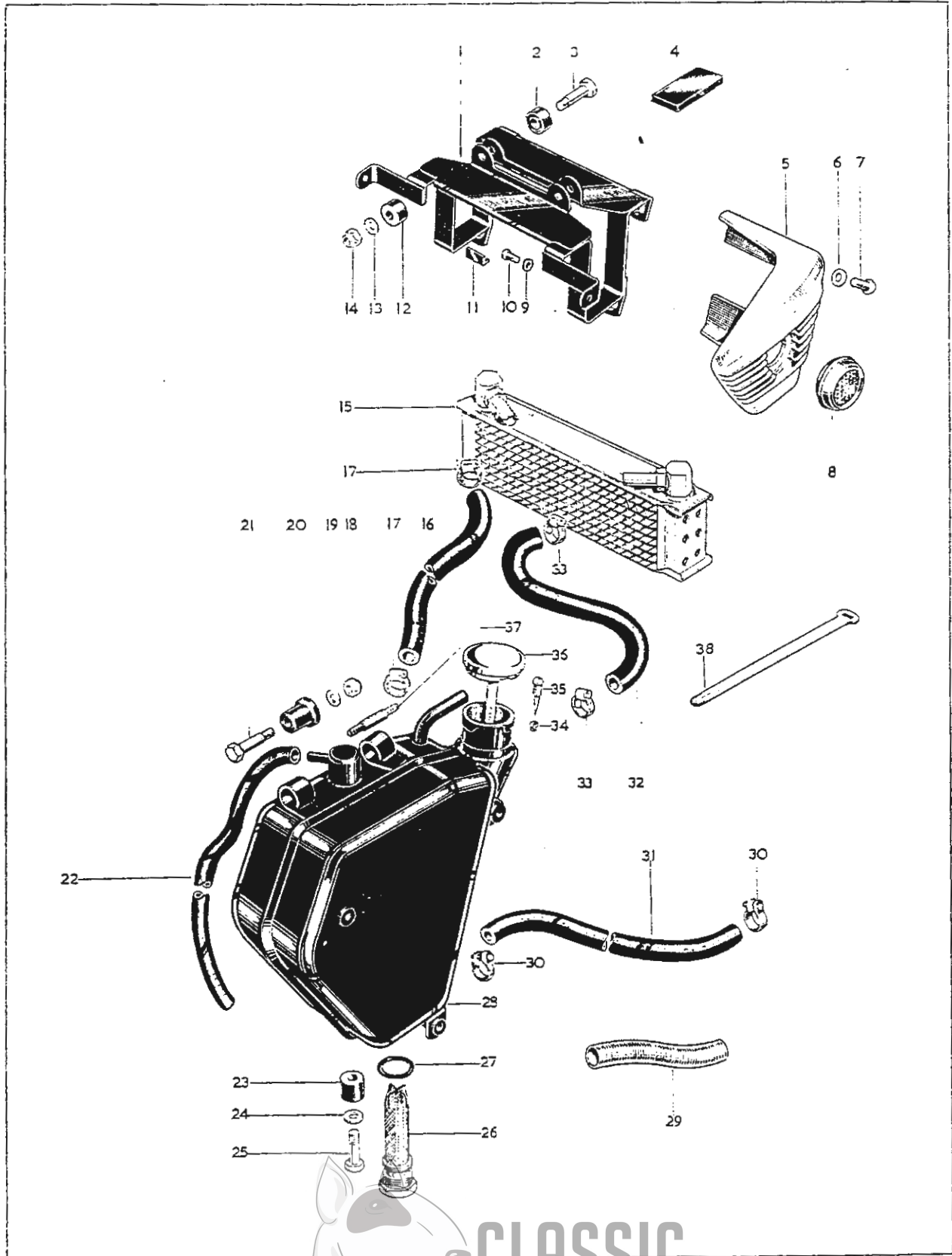


Plate 18

TOOLBOX, BATTERY CARRIER, AIR CLEANER

Plate Ref.	Spares Number	Description	Per Set
1.	82-8495	Toolbox .. .. .	
2.	14-0101	Bolt, toolbox to frame ( $\frac{1}{4}$ " U.N.F. $\times$ $\frac{1}{2}$ " ) .. .. .	2
3.	02-0525	Washer, toolbox to frame .. .. .	2
4.	82-9020	Spring washer, toolbox to frame bolt ( $\frac{1}{4}$ " $\times$ $\frac{19}{32}$ " $\times$ .040") .. .. .	2
5.	21-0768	Bolt, battery carrier to frame ( $\frac{5}{16}$ " U.N.F. $\times$ $1\frac{7}{16}$ " ) .. .. .	3
6.	02-2138	Washer (top), battery carrier to frame bolt ( $\frac{3}{8}$ " $\times$ $\frac{3}{4}$ " $\times$ $\frac{1}{16}$ " ) .. .. .	3
7.	40-4524	Rubber, battery carrier to frame .. .. .	3
8.	82-8463	Battery carrier .. .. .	
9.	40-4524	Rubber, battery carrier to frame .. .. .	3
10.	82-9008	Washer (bottom), battery carrier to frame bolt .. .. .	3
11.	14-1202	Nut, battery carrier to frame ( $\frac{5}{16}$ " U.N.F.) .. .. .	3
12.	68-4577	Battery strap .. .. .	
13.	82-9004	Battery strap hook .. .. .	
14.	68-4597	Battery tray .. .. .	
15.	14-0213	Bolt, air cleaner box ( $\frac{1}{4}$ " U.N.F. $\times$ $3\frac{1}{2}$ " ) .. .. .	2
16.	40-2705	Washer, for bolt line 15 ( $\frac{17}{64}$ " $\times$ $15\frac{32}{32}$ " $\times$ $\frac{1}{16}$ " ) .. .. .	2
17.	82-9562	Grommet, air cleaner box .. .. .	3
18.	82-9675	Air cleaner box .. .. .	
19.	82-9845	Air cleaner element .. .. .	
20.	82-8969	Air cleaner cover .. .. .	
21.	29-0541	Lockwasher, air cleaner cover ( $\frac{17}{64}$ " $\times$ $15\frac{32}{32}$ " $\times$ .024") .. .. .	2
22.	14-0101	Bolt, air cleaner cover ( $\frac{1}{4}$ " U.N.F. $\times$ $\frac{1}{2}$ " ) .. .. .	2
23.	82-7431	Battery vent pipe .. .. .	
24.	60-0706	Clip, breather pipe to air cleaner .. .. .	2
25.	82-8743	Engine breather pipe .. .. .	
26.	82-7835	Rubber buffer, support bracket .. .. .	2
27.	82-9682	Support bracket .. .. .	
28.	14-1202	Nut, bracket to frame bolt ( $\frac{1}{4}$ " U.N.F.) .. .. .	2
29.	02-0525	Washer, bracket to frame bolt ( $\frac{1}{4}$ " $\times$ $\frac{1}{2}$ " $\times$ .048") .. .. .	2
30.	14-0101	Bolt, bracket fixing ( $\frac{1}{4}$ " U.N.F. $\times$ $\frac{1}{2}$ " ) .. .. .	2
31.	82-9654	Sleeve for coils .. .. .	3
32.	14-0101	Bolt, coil support to frame ( $\frac{1}{4}$ " U.N.F. $\times$ $\frac{1}{2}$ " ) .. .. .	
33.	82-9020	Spring washer, coil support to frame bolt ( $\frac{1}{4}$ " $\times$ $\frac{19}{32}$ " $\times$ .040") .. .. .	
34.	83-1384	Coil support complete .. .. .	
35.	82-8549	Coil clamp .. .. .	
36.	24-7068	Spring washer, coil clamp bolt .. .. .	2
37.	21-1981	Bolt, coil clamp (number 10 U.N.F. $\times$ 2") .. .. .	2



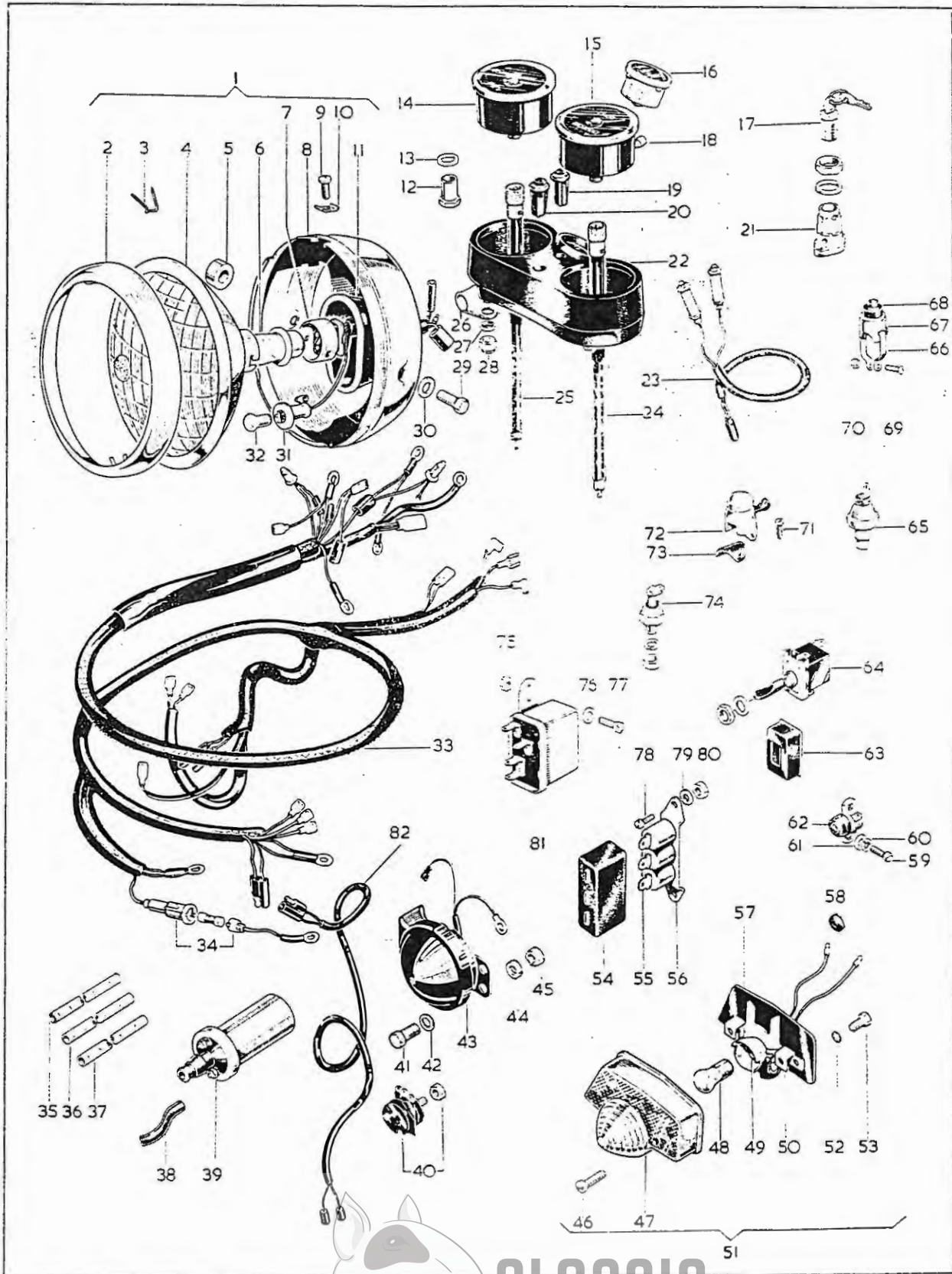


## Plate 19

## OIL TANK AND OIL COOLER

Plate Ref.	Spares Number	Description	Per Set
1.	82-9687	Oil cooler cradle .. .. .	
2.	82-8657	Rubber, oil cooler mounting .. .. .	2
3.	21-0752	Bolt, oil cooler mounting ( $\frac{1}{4}$ " U.N.F. $\times$ 1-15/64") .. .. .	2
4.	82-8667	Rubber pad, petrol tank to cooler cradle .. .. .	2
5.	82-8628	Oil cooler cover (left-hand) .. .. .	
5.	82-8629	Oil cooler cover (right-hand) .. .. .	
6.	02-0525	Washer, cover fixing—front ( $\frac{1}{4}$ " $\times$ $\frac{1}{2}$ " $\times$ .048") .. .. .	4
7.	21-0761	Screw, cover fixing—front ( $\frac{1}{4}$ " U.N.F. $\times$ 9/16") .. .. .	4
8.	19-0987	Side reflector (Lucas 57161) .. .. .	2
9.	02-1096	Washer, cover fixing—rear ( $\frac{3}{16}$ " $\times$ $\frac{3}{8}$ " $\times$ .044") .. .. .	2
10.	21-0762	Screw, cover fixing—rear (Posidrive number 10 $\times$ 9/16") .. .. .	2
11.	82-9322	Packing rubber, oil cooler to strap .. .. .	8
12.	82-8657	Rubber, cooler cradle mounting .. .. .	2
13.	02-0525	Washer, cooler cradle mounting ( $\frac{1}{4}$ " $\times$ $\frac{1}{2}$ " $\times$ .048") .. .. .	2
14.	14-1301	Nut, cooler cradle mounting ( $\frac{1}{4}$ " U.N.F.) .. .. .	2
15.	82-9315	Oil cooler .. .. .	
16.	70-8906	Flexible pipe, oil cooler to rocker box .. .. .	
17.	60-0702	Clip, flexible oil pipe .. .. .	2
18.	14-1301	Nut, oil tank top mounting ( $\frac{1}{4}$ " U.N.F.) .. .. .	3
19.	27-8560	Washer, oil tank top mounting ( $\frac{1}{4}$ " $\times$ $\frac{5}{8}$ " $\times$ .048") .. .. .	4
20.	40-8436	Rubber, oil tank top mounting .. .. .	2
21.	21-0754	Bolt, oil tank top mounting ( $\frac{1}{2}$ " U.N.F. $\times$ 1 $\frac{3}{8}$ ") .. .. .	
22.	82-9664	Breather pipe, oil tank .. .. .	
23.	82-8459	Rubber, bottom oil tank mounting .. .. .	
24.	02-0923	Washer, bottom oil tank mounting ( $\frac{5}{16}$ " $\times$ $\frac{5}{8}$ " $\times$ $\frac{1}{16}$ ") .. .. .	
25.	14-0217	Bolt, bottom oil tank mounting ( $\frac{5}{16}$ " U.N.F. $\times$ 1 $\frac{1}{4}$ ") .. .. .	
26.	83-1387	Oil tank filter plug complete .. .. .	
27.	68-0610	"O" ring, filter plug .. .. .	
28.	83-1766	Oil tank with fixed fittings .. .. .	
29.	82-9530	Oil feed pipe spring .. .. .	
29.	82-9531	Oil return pipe spring .. .. .	
30.	70-6848	Clip, flexible oil feed pipe .. .. .	2
31.	70-8904	Flexible pipe, oil tank to engine .. .. .	
32.	70-8907	Flexible pipe, cooler to tank .. .. .	
33.	60-0702	Clip, flexible oil pipe .. .. .	2
34.	82-6874	Metering screw spring .. .. .	
35.	82-9435	Metering screw, chain oiler ( $\frac{1}{4}$ " U.N.F. $\times$ 29/64") .. .. .	
36.	82-8627	Filler cap, dipstick .. .. .	
37.	83-1386*	Stud, oil tank front fixing ( $\frac{1}{4}$ " U.N.F./U.N.F. $\times$ 1-9/16") .. .. .	
38.	82-9918	Clip, oil pipes to frame .. .. .	4

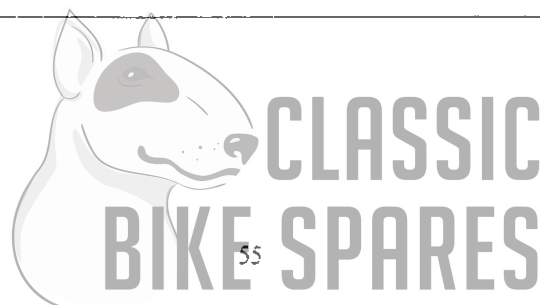
\*Special material: 37.—EN14B.

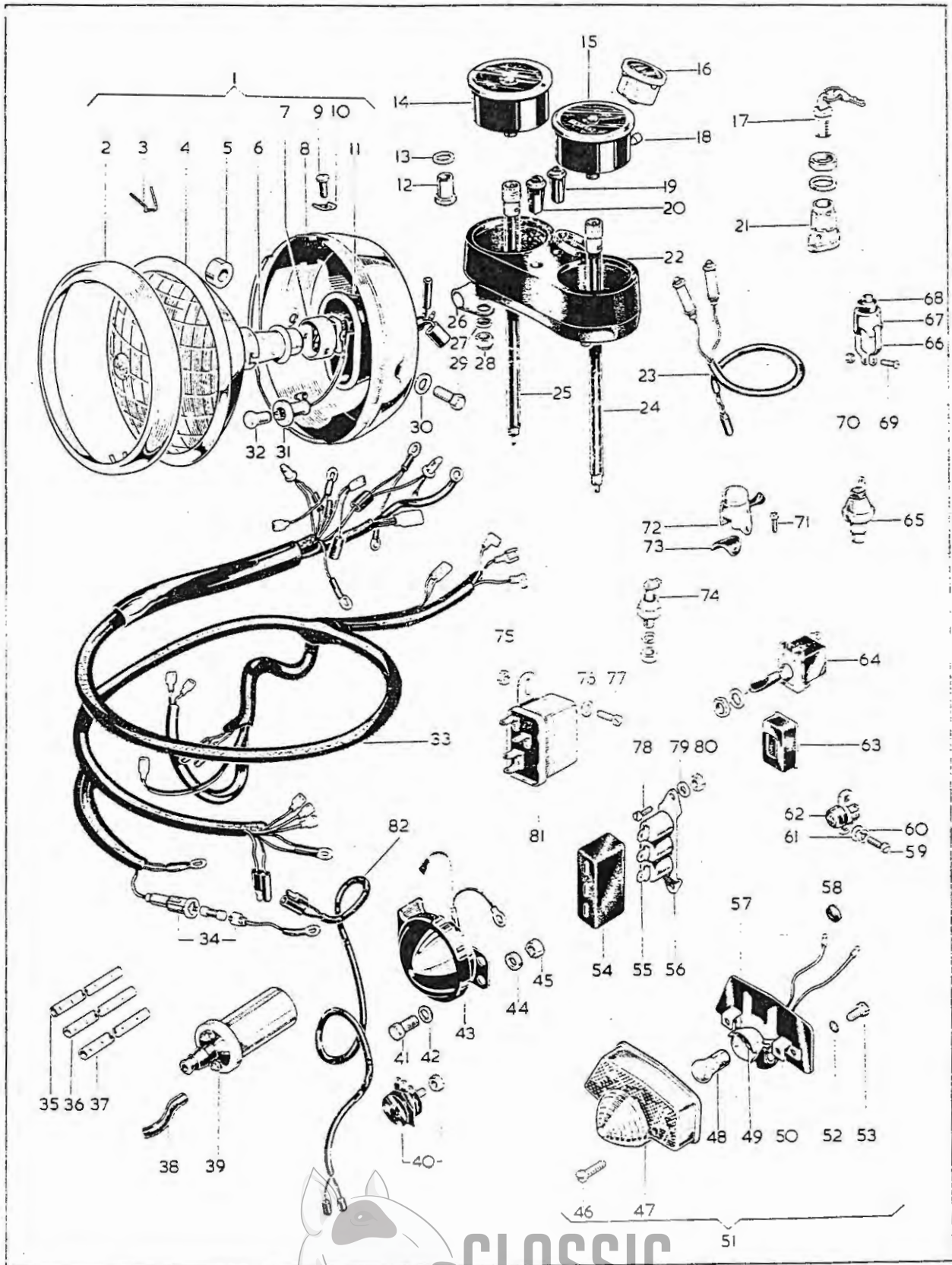




ELECTRICAL EQUIPMENT

Plate Ref.	Spares Number	Description	Per Set
1.	19-0381	Headlamp complete, standard (Lucas 59892)	
1.	19-1149	Headlamp complete, Europe (Lucas 59894)	
2.		Headlamp rim (Lucas 553248)	
3.		Wire fixing light unit (Lucas 504665)	6
4.		Light unit, standard (Lucas 516798)	
4.		Light unit, Europe (Lucas 54522680)	
4.	19-1043	Light unit, West Germany and Italy (Lucas 516801)	
5.	97-1932	Headlamp spacer	2
6.		Main bulb, standard (Lucas 446)	
6.		Main bulb, Europe (Lucas 410)	
6.	19-1044	Main bulb, West Germany and Italy (Lucas 370)	
7.		Sleeve, terminal (Lucas 555910)	
8.		Lamp body (Lucas 54524099)	
9.		Screw fixing, headlamp rim (Lucas 144921)	
10.		Plate for rim screw (Lucas 534296)	
11.		Extension cover (Lucas 54524048)	
12.	97-3632	Sleeve nut, speedometer/tachometer mounting (10 U.N.F.)	4
13.	70-8770	Washer, for nut line 12	4
14.	19-8953	Tachometer head (Smiths RSM.3003/13)	
15.	19-8948	Speedometer head, m.p.h. (Smiths SSM.5007/00)	
15.	19-8949	Speedometer head, k.p.h. (Smiths SSM.5007/01)	
16.	19-1164	Ammeter (Lucas 36421)	
17.	82-6981	Ignition lock and key (Wilmot Breedon 1-6280)	
18.	19-9080	Speedometer trip shaft (Smiths 41-148-203-10)	
19.	19-0982	High beam warning light, green (Lucas 38191)	
20.	19-0965	Oil pressure warning light, red (Lucas 38189)	
21.	19-1775	Ignition switch (Lucas 31899)	
22.	97-2297	Binnacle complete	
23.	19-1303	Light lead for speedometer/tachometer (Lucas 54953446)	
24.	19-9090	Speedometer cable (Smiths )	
25.	19-9091	Tachometer cable (Smiths DF.9111 60)	
26.	75-9046	Cable clip	
27.	40-2705	Washer, binnacle mounting	4
28.	14-1201	Nut, binnacle mounting (1/4" U.N.F.)	4
29.		Washer, headlamp mounting (Lucas 137498)	2
30.		Bolt, headlamp mounting (Lucas 112201)	2
31.		Pilot bulb holder (Lucas 54573590)	
		Interior, pilot bulb holder (Lucas 553780)— <i>not illustrated</i>	
32.		Pilot bulb (Lucas 989)	
		*Adaptor, headlamp—Europe (Lucas 553738)— <i>not illustrated</i>	
		*Spring, retaining main bulb—Europe (Lucas 556442)— <i>not illustrated</i>	
33.	19-1304	Main wiring harness (Lucas 54955800)	
34.		Fuse holder complete (Lucas 54190387)	
34.		Fuse only, 35 amp. (Lucas 188218)	
35.	19-1874	Identification sleeve for high-tension lead number 1	
36.	19-1875	Identification sleeve for high-tension lead number 2	
37.	19-1876	Identification sleeve for high-tension lead number 3	
38.	19-1882	High-tension lead (Lucas 54956435) for use with Lucas coil	3
39.	19-1881	High-tension coil (Lucas 45221)	3
40.	19-1715	Rectifier with nut (Lucas 49072)	





## ELECTRICAL EQUIPMENT

Plate Ref.	Spares Number	Description	Per Set
41.	14-0104	Bolt, horn mounting ( $\frac{1}{4}$ " U.N.F. $\times$ $\frac{7}{8}$ " ) .. .. .	4
42.	02-0525	Washer, horn mounting ( $\frac{1}{4}$ " $\times$ $\frac{1}{2}$ " $\times$ .048") .. .. .	8
43.	19-2076	Windtone horn, right-hand (Clearhooter SF725H) .. .. .	
43.	19-2077	Windtone horn, left-hand (Clearhooter SF725L) .. .. .	
44.	57-3638	Spacer, horn to frame .. .. .	4
45.	14-1901	Nut, horn mounting ( $\frac{1}{4}$ " U.N.F.) .. .. .	4
46.		Screw for stop lamp lens (Lucas 144921) .. .. .	
47.		Lens for stop lamp (Lucas 54577109) .. .. .	
48.		Bulb for stop lamp (Lucas 380) .. .. .	
		Interior, bulb holder (Lucas 573828)— <i>not illustrated</i> .. .. .	
49.		Bulb holder assembly (Lucas 54578213) .. .. .	
50.		Base assembly (Lucas 54578212) .. .. .	
51.	19-1245	Stop/tail lamp (Lucas 53973) .. .. .	
52.		Washer, for fixing screw (Lucas 188330) .. .. .	2
53.		Screw for fixing lamp (Lucas 110714) .. .. .	2
54.	19-1848	Rubber cover, condenser pack (Lucas 54418528) .. .. .	
55.	19-1847	Condenser (Lucas 54420128) .. .. .	3
56.	19-1861	Condenser base plate (Lucas 54418526) .. .. .	
57.		Gasket, stop/tail lamp (Lucas 54571677) .. .. .	
58.	19-1873	Grommet, for tail lamp leads (Lucas 199001) .. .. .	2
59.	21-0770	Screw, stop switch mounting (number 10 U.N.F. $\times$ $\frac{1}{2}$ " ) .. .. .	2
60.	24-0978	Spring washer, stop switch mounting ( $\frac{1}{4}$ " $\times$ $\frac{1}{16}$ " $\times$ 19 G.) .. .. .	2
61.	02-1096	Washer, stop switch mounting ( $\frac{3}{16}$ " $\times$ $\frac{3}{8}$ " $\times$ .044") .. .. .	2
62.	19-0916	Stop lamp switch (Lucas 34815) .. .. .	
63.	82-9692	Rubber cover for light switch, line 64 .. .. .	
64.	19-1030	Light switch (Lucas 31788) .. .. .	
65.	19-6508	Oil pressure switch (Smiths 5300 1 07) .. .. .	
66.	68-9351	Clip, cut-out switch mounting .. .. .	2
67.	97-2259	Cup, ignition cut-out switch .. .. .	
68.	19-1152	Ignition cut-out switch (Lucas 35835) .. .. .	
69.	54-6510	Screw, cut-out switch mounting clip .. .. .	
70.	21-5160	Nut, for screw line 69 (2 B.A.) .. .. .	
71.	97-1994	Screw, dipper switch to handlebar (number 6 $\times$ 32 Taptite) .. .. .	2
72.	19-1150	Horn and dipper switch less cable (Lucas 31563) .. .. .	
73.	19-1153	Mounting pad for dipper switch (Lucas 380459) .. .. .	
74.	19-1735	Zener diode (Lucas 49345) .. .. .	
75.	21-0778	Nut, horn relay mounting (number 10 U.N.F.) .. .. .	2
76.	02-1096	Washer, horn relay mounting ( $\frac{3}{16}$ " $\times$ $\frac{3}{8}$ " $\times$ .044") .. .. .	2
77.	21-0762	Screw, horn relay mounting (number 10 U.N.F. $\times$ $\frac{3}{8}$ " ) .. .. .	2
78.	21-0762	Bolt, condenser pack mounting (number 10 U.N.F. $\times$ $\frac{3}{8}$ " ) .. .. .	2
79.	02-1096	Washer, condenser pack mounting ( $\frac{3}{16}$ " $\times$ $\frac{3}{8}$ " $\times$ .044") .. .. .	2
80.	21-0778	Nut, condenser pack mounting (number 10 U.N.F.) .. .. .	2
81.	19-0953	Horn relay (Lucas 33188) .. .. .	
82.	19-1869	Tail lamp lead (Lucas 54953444) .. .. .	
	19-1776	Battery, 12 volt (Lucas 54027029) .. .. .	

\*Other details are same as 19-981, headlamp.

NOTE:—Where no B.S.A. part number is quoted the part is only available from the makers.



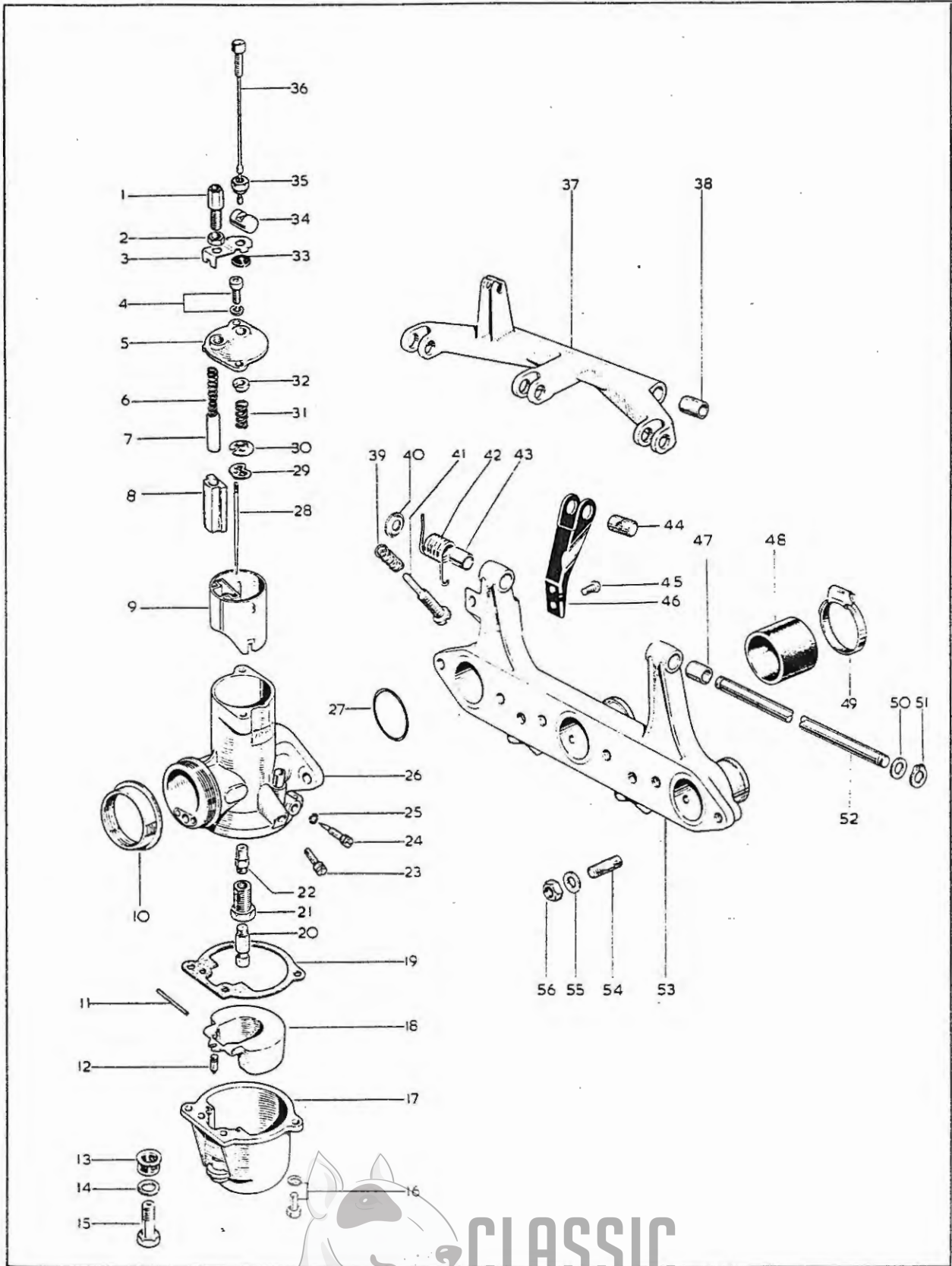


Plate Ref.	Spares Number	Description	Per Set	
	B.S.A. NO.	MAKERS NO.		
1.	19-2711	4/035	Air cable adjuster .. .. .	3
2.		5/077	Air cable adjuster locknut .. .. .	3
3.		622/125	Seal locating clip .. .. .	3
4.	19-3093	622/086	Screw and washer for top cap .. .. .	6
5.		622/097	Carburettor top cap .. .. .	3
6.		622/129	Air valve spring .. .. .	3
7.		622/134	Air valve spring guide .. .. .	3
8.	19-3091	622/062	Air valve .. .. .	3
9.	19-3138	622/060	Throttle valve (3) .. .. .	3
10.	70-9586		Adaptor, carburettor intake .. .. .	3
		622/107	Pilot jet tube (not removable) .. .. .	3
11.	19-3116	622/071	Float spindle .. .. .	3
12.	19-3105	622/068	Needle for float .. .. .	3
13.	19-3048	376/093	Petrol filter .. .. .	3
14.	19-2834	13/163	Fibre washer for banjo bolt .. .. .	3
15.	19-3103	622/078	Banjo bolt, petrol pipe to float chamber .. .. .	3
16.	19-3093	622/086	Screw and washer for float chamber .. .. .	6
17.	19-3132	622/050	Carburettor float chamber .. .. .	3
18.	19-3102	622/069	Carburettor float .. .. .	3
19.	19-3106	622/073	Float chamber gasket .. .. .	3
20.	19-3099	376/100	Main jet (150 c.c.) .. .. .	3
21.		622/128	Main jet holder .. .. .	3
22.	19-3136	622/122	Needle jet (.106") .. .. .	3
23.		622/133	Plug screw .. .. .	3
24.	19-3113	622/076	Pilot air adjusting screw .. .. .	3
25.	19-3098	622/082	"O" ring for pilot air screw .. .. .	3
25.	19-2409	L.626/15	Carburettor complete, left-hand (short air cable) .. .. .	3
25.	19-2415	R.626/16	Carburettor complete, centre (medium air cable) .. .. .	3
25.	19-2408	R.626/14	Carburettor complete, right-hand (long air cable) .. .. .	3
27.	19-3090	622/101	"O" ring, carburettor flange .. .. .	3
28.	19-3137	622/124	Throttle needle .. .. .	3
29.	19-3095	622/067	Clip for throttle needle .. .. .	3
30.	60-1987	622/116	Retaining plate, throttle rod spring .. .. .	3
31.	60-1960	622/113	Retaining spring, throttle rod .. .. .	3
32.	60-1959	622/115	Retaining cap, throttle rod .. .. .	3
33.		622/126	Seal washer, top cap .. .. .	3
34.	70-9243		Trunnion, throttle linkage .. .. .	3
35.	70-9253		Locknut, throttle rod .. .. .	3
36.	60-1984	622/119	Throttle assembly .. .. .	3
37.	70-9278		Arm assembly, throttle linkage .. .. .	3
38.	70-9073		Bush, throttle arm .. .. .	2
39.	70-9254		Spring, adjuster screw, throttle stop .. .. .	2
40.	70-9821		Retainer, throttle return spring .. .. .	2
41.	70-9252		Adjuster screw, throttle stop .. .. .	2
42.	70-9880		Throttle return spring .. .. .	2
43.	70-9820		Spacer, throttle return spring .. .. .	2
44.	70-9243		Trunnion, throttle linkage .. .. .	2
45.	21-0774		Screw, support arm to adaptor .. .. .	2
46.	70-9242		Support arm, throttle linkage .. .. .	2
47.	70-9073		Bush, adaptor spindle .. .. .	2
48.	70-9060		Connection tube .. .. .	3
49.	60-0707		"Jubilee" clip, connection tube .. .. .	6
50.	71-0245		Backing washer, spindle .. .. .	6
51.	70-9255		Circlip, spindle .. .. .	2
52.	70-9251		Spindle, throttle linkage .. .. .	2
53.	70-7633		Carburettor adaptor .. .. .	2
54.	14-1619		Stud, carburettor mounting ( $\frac{5}{16}$ " U.N.C./U.N.F. $\times 1\frac{1}{4}$ ") .. .. .	6
55.	54-0055		Washer, carburettor mounting .. .. .	6
56.	14-0302		Nut, carburettor mounting ( $\frac{5}{16}$ " U.N.F.) .. .. .	6

NOTE:—Where no B.S.A. part number is quoted, the part is only available from the makers.

Plate 22

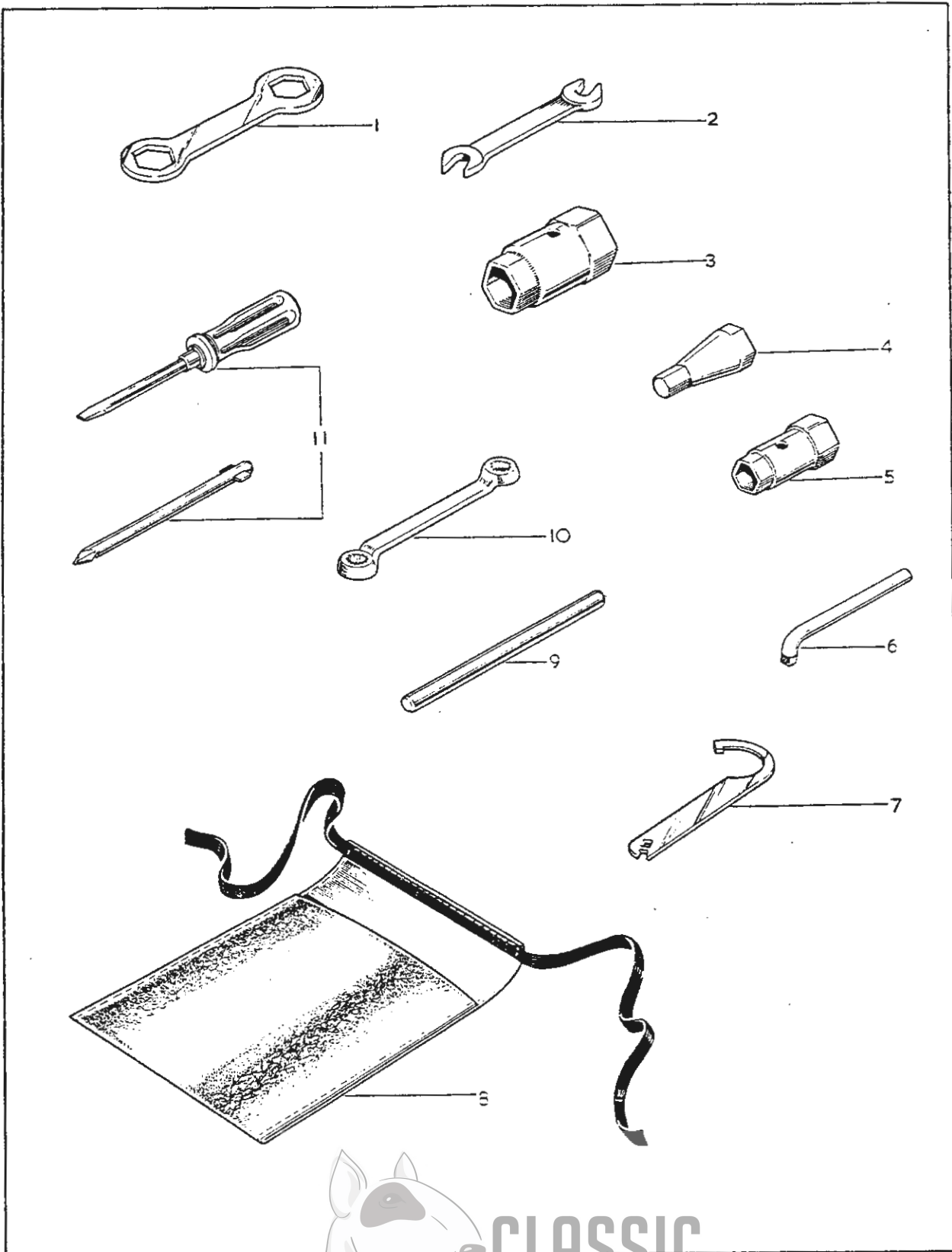


Plate 22

TOOL KIT

<i>Plate Ref.</i>	<i>Spare Number</i>	<i>Description</i>	<i>Per Set</i>
1.	60-2251	Double-ended ring spanner ( $\frac{5}{8}$ " $\times$ 11/16" WHIT.) .. .. .	..
2.	60-2084	Double open-ended spanner ( $\frac{1}{2}$ " $\times$ $\frac{7}{16}$ " A.F.) .. .. .	..
3.	60-1908	Double-ended box spanner ( $1\frac{1}{8}$ " $\times$ $1\frac{5}{16}$ " hexagon) .. .. .	..
4.	60-1910	Spark plug spanner .. .. .	..
5.	60-1909	Double-ended box spanner ( $\frac{5}{8}$ " $\times$ 15/16" hexagon) .. .. .	..
6.	60-2020	Tappet spanner .. .. .	..
7.	75-9076	"C" spanner with square socket .. .. .	..
8.	75-9089	Tool roll .. .. .	..
9.	60-1911	Tommybar .. .. .	..
10.	60-1907	Double-ended ring spanner ( $\frac{7}{16}$ " $\times$ $1\frac{1}{2}$ " hexagon) .. .. .	..
11.	60-0767	Screwdriver complete .. .. .	..
	60-1912	Toolkit complete .. .. .	..



