

20-10172 C



# REPLACEMENT PARTS LIST

MODEL B25 STARFIRE

FROM ENGINE AND FRAME NUMBER KC.06301.B.55.

CATALOGUE NUMBER 00.5197.

1969

CLASSIC  
BIKE SPARES



CATALOGUE OF



FOR

## Model B25 Starfire

ISSUED BY

**B.S.A. MOTOR CYCLES LTD.**

Service Department, Armoury Road,  
Birmingham 11

TELEPHONE . . . . . 021-772-2381  
TELEGRAMS . . . . "SELMOTO BIRMINGHAM"

### **B.S.A. MOTOR CYCLES LTD.**

*Registered Offices and Works:* ARMOURY ROAD, BIRMINGHAM 11

*Telephone:* 021-772-2381

*Telegrams and Cables:* "SELMOTO BIRMINGHAM"

*Contractors to Her Majesty's Government, the War Office, the Admiralty, the Post Office, the Colonial and Foreign Governments*

*Publication Reference 00-5197 October, 1968.*

*Printed in England by B.S.A. Press*



## Please Note!

Replacement parts or accessories must be of B.S.A. origin or as approved by B.S.A. Motor Cycles Ltd.

In this respect your attention is drawn to the Terms and Conditions of B.S.A. Guarantee.



## SUFFIX NUMBERS TO BE USED TO IDENTIFY VARYING FINISHES

When ordering components with varying finishes, please state finish required by adding the appropriate number to part number.

**EXAMPLE:** Front Mudguards, Chrome 40-6571/003.

PETROL TANK (U.S.A.) ..	Bushfire Orange, Moss Gold centre stripe, single Black line ..	/263
PETROL TANK (standard) ..	Flamboyant Aircraft Blue .. .. .	/227
SIDECOVERS (U.S.A.) ..	Bushfire Orange, Black line .. .. .	/264
SIDECOVERS (standard) ..	Flamboyant Aircraft Blue .. .. .	/227
<b>OTHER PARTS:</b>		
CHROME .. .. .		/003
BLACK .. .. .		/007
SILVER .. .. .		/165
MATT BLACK ENGINE PARTS (U.S.A.) .. .. .		/262

### PRICES:

No price codes are quoted in this list. For prices please refer to the Master Price List No. 00-5125.

Wherever possible details of thread form and size are quoted after description of nuts, bolts, screws, studs and washers. Such as: 14-7006 Socket screw ( $\frac{1}{4}$ " UN.C.  $\times$  1") =  $\frac{1}{4}$ " diameter unified coarse thread 1" long under head.

Vital components, which are manufactured from special material, are indicated by a sign and the British Standard symbol for the material is quoted at the foot of the page.

### ABBREVIATIONS:

B.A.	=	British Association screw threads.
B.S.C.	=	British Standard Cycle screw threads.
B.S.F.	=	British Standard Fine screw threads.
W.F.	=	Whitworth Form screw threads.
UN.F.	=	Unified Fine screw threads.
UN.C.	=	Unified Coarse screw threads.



**CARBURETTERS**

AMAL LIMITED, HOLDFORD ROAD, WITTON, BIRMINGHAM 6.

**CHAINS**

REYNOLDS CHAINS LIMITED, WYTHENSHAW, MANCHESTER.

**ELECTRICAL EQUIPMENT**

J. LUCAS LIMITED, GREAT HAMPTON STREET, BIRMINGHAM 18.

**SPEEDOMETERS**

SMITH'S MOTOR ACCESSORIES LIMITED, CRICKLEWOOD WORKS, LONDON N.W.2.

**TYRES**

DUNLOP COMPANY LIMITED, FORT DUNLOP, BIRMINGHAM 24.

**SPARKING PLUGS**

CHAMPION SPARKING PLUG COMPANY LIMITED, FELTHAM, MIDDLESEX.

**SHOCK ABSORBERS**

GIRLING LIMITED, BIRMINGHAM ROAD, WEST BROMWICH.



## ASSEMBLIES COMPLETE

<i>Spares No.</i>	<i>Description</i>
00-3168	TOP OVERHAUL OR DECOKE GASKET SET.
00-3310	FULL OVERHAUL GASKET SET.
00-4403	CAPACITOR KIT.
00-5195	TACHOMETER KIT.
70-9422	ENGINE/GEARBOX UNIT LESS CARBURETTER AND EXHAUST SYSTEM.
70-9372	CRANKCASE COMPLETE WITH FIXED FITTINGS.
41-801	OIL PUMP COMPLETE.
70-9848	CRANKSHAFT AND FLYWHEEL ASSEMBLY.
47-3213	CLUTCH COMPLETE.
82-9213	FRAME COMPLETE.
97-3671	FRONT FORK COMPLETE.
37-3463	FRONT WHEEL WITH SPINDLE AND BEARINGS.
37-3466	FRONT HUB WITH SPINDLE AND BEARINGS.
40-6078	REAR WHEEL WITH SPINDLE AND BEARINGS.
41-6022	REAR HUB WITH SPINDLE AND BEARINGS.



## PISTON CHART

PISTON COMPLETE			
Compression Ratio	Standard	+ 1/2 mm.	+ 1 mm.
10 to 1	40-970	40-972	40-974
COMPRESSION RINGS			
	Top (plain) 70-8276	Top (plain) 70-8277	Top (plain) 70-8278
	Centre (taper) 70-6838	Centre (taper) 70-9017	Centre (taper) 70-9018
SCRAPER RINGS			
	70-6839	70-9021	70-9022

## CARBURETTER

Spares Number	Makers Number	Main Jet	Pilot Jet	Throttle Slide	Needle Jet	Needle Position
19-2416	R.928/5	180	25	3	.106	2



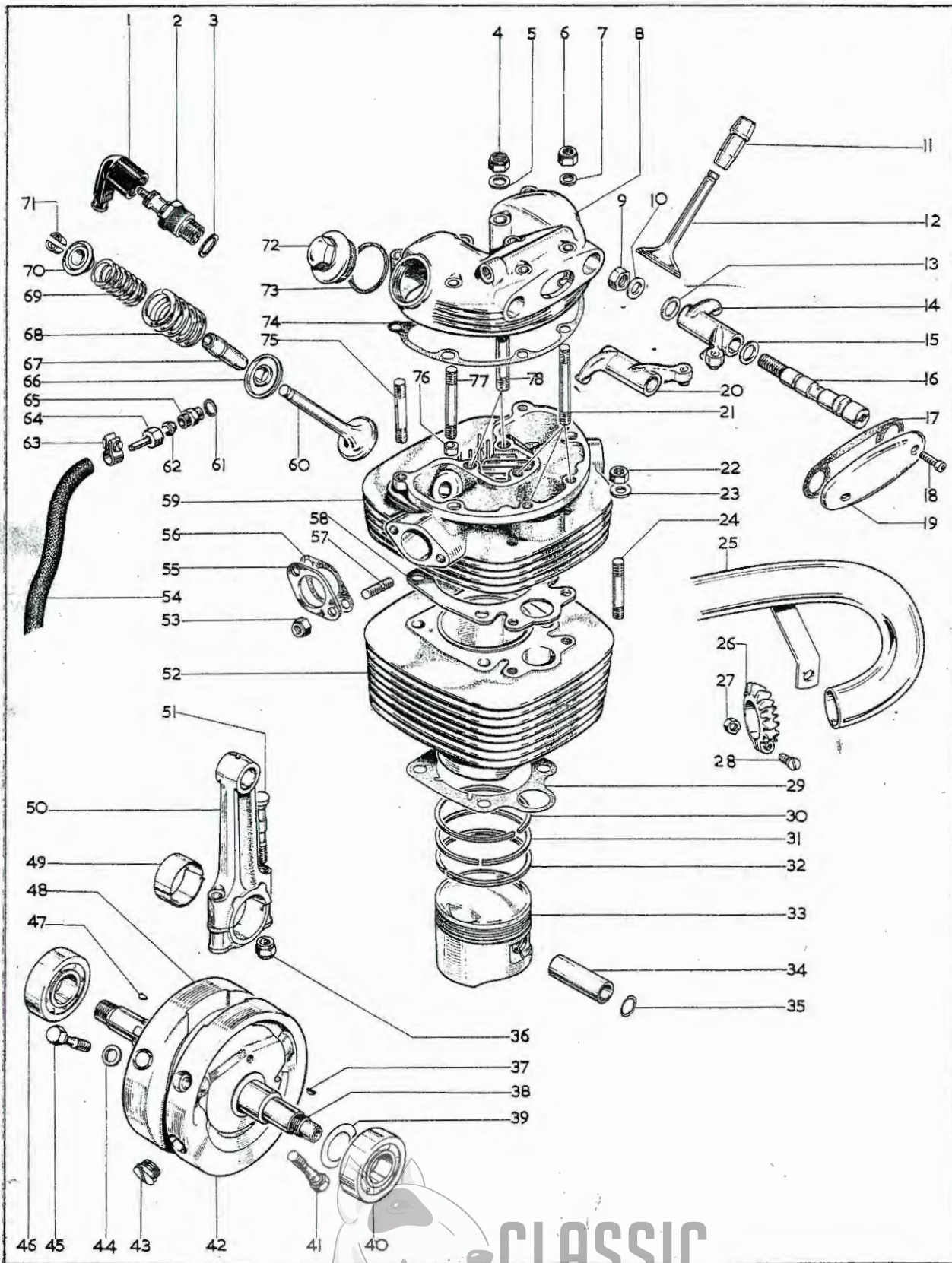


## INDEX

		<i>Page</i>
	ASSEMBLIES COMPLETE .. .. .	5
Plate 1	CYLINDER AND CRANKSHAFT .. .. .	8 - 11
Plate 2	CRANKCASE .. .. .	12 - 15
Plate 3	GEAR CLUSTER .. .. .	16 - 19
Plate 4	CLUTCH .. .. .	20 - 21
Plate 5	FRAME .. .. .	22 - 25
Plate 6	SWINGING ARM .. .. .	26 - 27
Plate 7	OIL TANK, SIDECOVERS, SILENCER .. .. .	28 - 29
Plate 8	FOOTRESTS AND BRAKE LINKAGE .. .. .	30 - 31
Plate 9	FRONT FORK .. .. .	32 - 35
Plate 10	FRONT WHEEL .. .. .	36 - 37
Plate 11	REAR WHEEL .. .. .	38 - 39
Plate 12	MUDGUARDS .. .. .	40 - 43
Plate 13	PETROL TANK, TWINSEAT AND CONTROLS .. .. .	44 - 47
Plate 14	ELECTRICAL EQUIPMENT .. .. .	48 - 51
Plate 15	TOOLS .. .. .	52 - 53
Plate 16	CARBURETTER .. .. .	54 - 55



Plate 1



CLASSIC  
BIKE SPARES

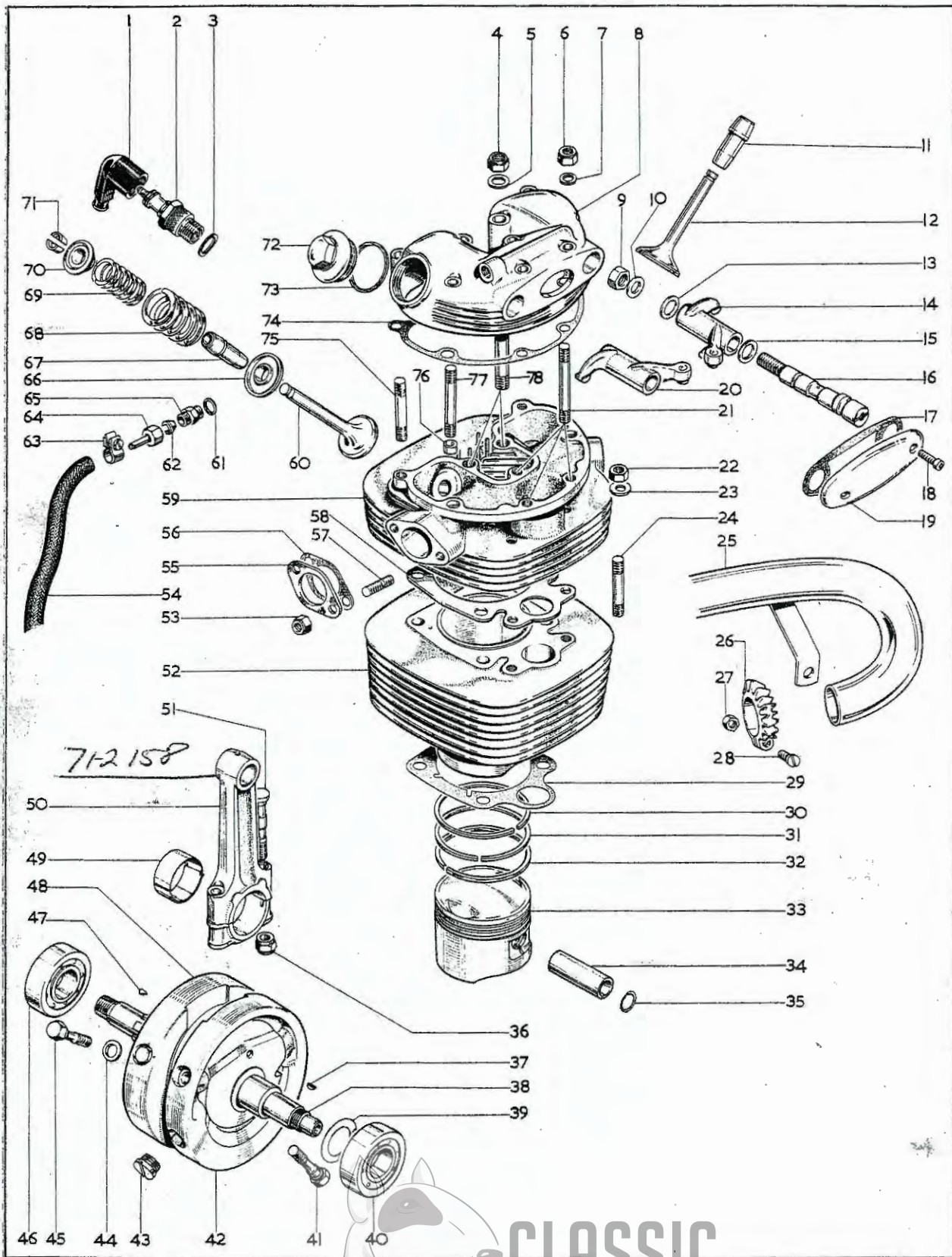
Plate 1

CYLINDER AND CRANKSHAFT

Plate Ref.	Spares Number	Description	Per Set
1.	19-7625	Spark plug cover	
2.	19-7606	Spark plug (Champion N3)	
3.	66-102	Washer, spark plug	
4.	24-6040	Nut, rocker box to head ( $\frac{5}{16}$ " B.S.C.)	2
5.	2-923	Washer, rocker box to head ( $\frac{5}{16}$ " $\times$ $\frac{5}{8}$ " $\times$ $\frac{1}{16}$ " )	2
6.	40-209	Nut, rocker box to head ( $\frac{1}{4}$ " B.S.C.)	7
7.	2-525	Washer, rocker box to head ( $\frac{1}{4}$ " $\times$ $\frac{1}{2}$ " $\times$ .048")	7
8.	70-7911	Rocker box	
9.	14-403	Nut, rocker spindle ( $\frac{3}{8}$ " U.N.F.)	2
10.	2-2138	Washer, rocker spindle nut ( $\frac{3}{8}$ " $\times$ $\frac{3}{4}$ " $\times$ $\frac{1}{16}$ " )	2
11.	40-932	Exhaust valve guide	
12.	70-7777	Exhaust valve	
13.	40-157	Thrust washer, rocker spindle ( $\frac{3}{8}$ " I/D)	2
14.	70-7791	Exhaust rocker	
15.	40-158	Thrust washer, rocker spindle ( $\frac{1}{2}$ " I/D)	2
16.	70-7787	Rocker spindle	2
17.	40-967	Gasket, inspection cover	
18.	40-965	Screw, inspection cover ( $\frac{1}{16}$ " B.S.C. $\times$ 11/16")	2
19.	40-966	Inspection cover, rocker box	
20.	70-7790	Inlet rocker	
21.	70-7996	Stud, cylinder head	3
22.	24-5160	Nut, cylinder head ( $\frac{5}{16}$ " B.S.C.)	2
23.	76-12	Washer, cylinder head nut (21/64" $\times$ 9/16" $\times$ 3/32")	2
24.	40-20	Stud, cylinder head ( $\frac{1}{16}$ " B.S.C./B.S.F.)	2
25.	70-9412	Exhaust pipe (U.S.A. models)	
25.	70-9724	Exhaust pipe (standard)	
26.	40-2710**	Exhaust pipe collar	
27.	40-2712**	Nut, exhaust pipe collar (2 B.A.)	
28.	40-2711**	Screw, exhaust pipe collar (2 B.A. $\times$ 13/16")	
29.	70-7728	Cylinder base gasket	
30.	70-8276†	Piston ring (top)	
31.	70-6838†	Piston ring (centre, taper)	
32.	70-6839†	Piston ring (scraper)	
33.	40-970†	Piston complete	
34.	40-978	Gudgeon pin	
35.	40-979	Circlip, gudgeon pin	2
36.	40-915	Nut, connecting rod bolt ( $\frac{1}{16}$ " B.S.C.)	2
37.	41-560	Key, crankshaft pinion	
38.	70-9547	Crankshaft and flywheel assembly	
39.	40-64	Shim, crankshaft (.003")	as reqd.
39.	40-65	Shim, crankshaft (.005")	as reqd.
39.	40-66	Shim, crankshaft (.010")	as reqd.
39.	40-69	Shim, crankshaft (.015")	as reqd.
40.	24-732	Bearing, crankshaft gear-side (Hoffman) 325	
41.	40-1031	Bolt, flywheel ( $\frac{3}{8}$ " U.N.F. $\times$ 2")	4



Plate 1—continued



CYLINDER AND CRANKSHAFT

Plate Ref.	Spares Number	Description	Per Set
42.	70-9907	Flywheel, gear-side .. .. .	
43.	40-892	Screwed plug, gear-side flywheel .. .. .	
44.	68-582	Washer, flywheel bolt .. .. .	8
45.	40-1030*	Bolt, flywheel ( $\frac{3}{8}$ " UN.F. $\times$ $1\frac{1}{8}$ " ) .. .. .	4
46.	24-732	Bearing, crankshaft drive-side (Hoffman 325) .. .. .	
47.	41-673	Key, alternator rotor .. .. .	
48.	70-9906	Flywheel, drive-side .. .. .	
49.	40-907	Big-end shell (standard) .. .. .	2
49.	40-917	Big-end shell ( $-.010$ " ) .. .. .	2
49.	40-918	Big-end shell ( $-.020$ " ) .. .. .	2
49.	40-919	Big-end shell ( $-.030$ " ) .. .. .	2
50.	70-8836	Connecting rod complete .. .. .	
51.	40-913*	Bolt, connecting rod ( $\frac{5}{16}$ " B.S.A. $\times$ $2-21/64$ " ) .. .. .	2
52.	70-9263	Cylinder barrel complete .. .. .	
53.	42-4476	Nut, carburetter stud ( $\frac{1}{8}$ " B.S.C.) .. .. .	2
54.	40-1037	Flexible oil pipe, to rocker box .. .. .	
55.	70-7820	"Tufnol" spacer, carburetter flange .. .. .	
56.	65-1232	Paper gasket, carburetter flange .. .. .	
57.	68-18*	Stud, carburetter mounting ( $\frac{5}{16}$ " B.S.C./B.S.F. $\times$ $1\frac{3}{8}$ " ) .. .. .	2
58.	40-933	Cylinder head gasket .. .. .	
59.	40-929	Cylinder head with fixed fittings .. .. .	
60.	68-661	Inlet valve .. .. .	
61.	76-378	Fibre washer, oil pipe union .. .. .	
62.	40-993	Oil pipe, feed to rocker box .. .. .	
63.	62-263	Clip, flexible oil pipe .. .. .	
64.	29-2089	Nut, oil pipe union .. .. .	
65.	76-308	Oil pipe union, rocker box .. .. .	
66.	40-1018	Bottom cup, valve spring .. .. .	2
67.	40-931	Inlet valve guide .. .. .	
68.	40-1009	Outer valve spring .. .. .	2
69.	40-1007	Inner valve spring .. .. .	2
70.	40-1019	Top collar, valve spring .. .. .	2
71.	68-158	Split collet, valve spring .. .. .	4
72.	40-968	Inspection cap, rocker box .. .. .	2
73.	40-969	Fibre washer, inspection cap .. .. .	2
74.	70-7858	Gasket, rocker box .. .. .	
75.	40-939*	Stud, cylinder head ( $\frac{1}{4}$ " B.S.C./B.S.F. $\times$ $2-\frac{7}{16}$ " ) .. .. .	2
76.	66-3074	Dowel, cylinder head .. .. .	2
77.	40-942*	Stud, cylinder head, dowel position ( $\frac{1}{4}$ " B.S.C./B.S.F. $\times$ $2-11/16$ " ) .. .. .	2
78.	40-127	Stud, rocker box .. .. .	2

NEW  
STYLE  
71-1165  
71-1166

\*Special material:

41.—EN24.  
57.—EN15.

45.—EN24.  
75.—EN14B.

51.—BS.3111.  
77.—EN14B.

\*\*Except U.S.A. models

†See page 6.



Plate 2

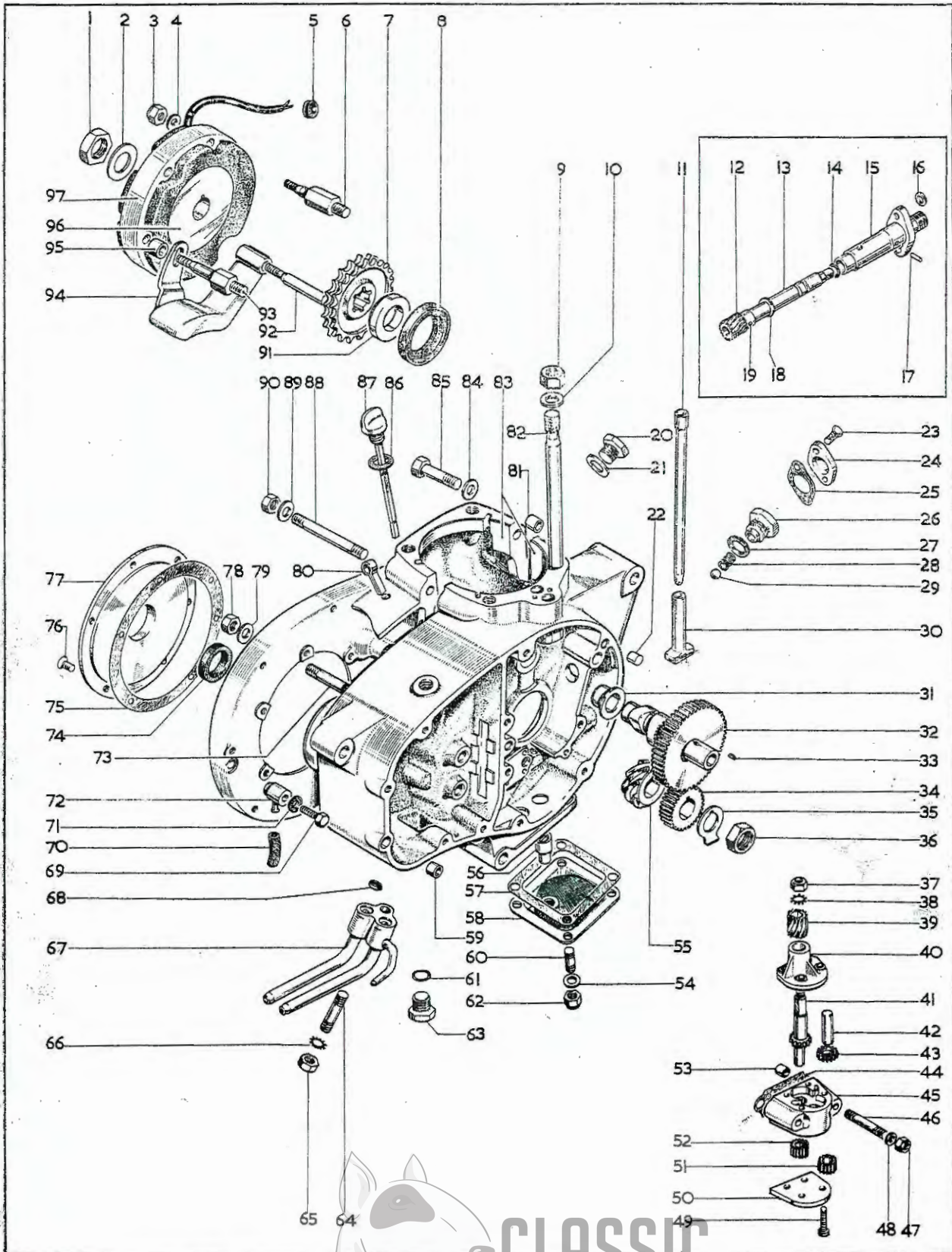


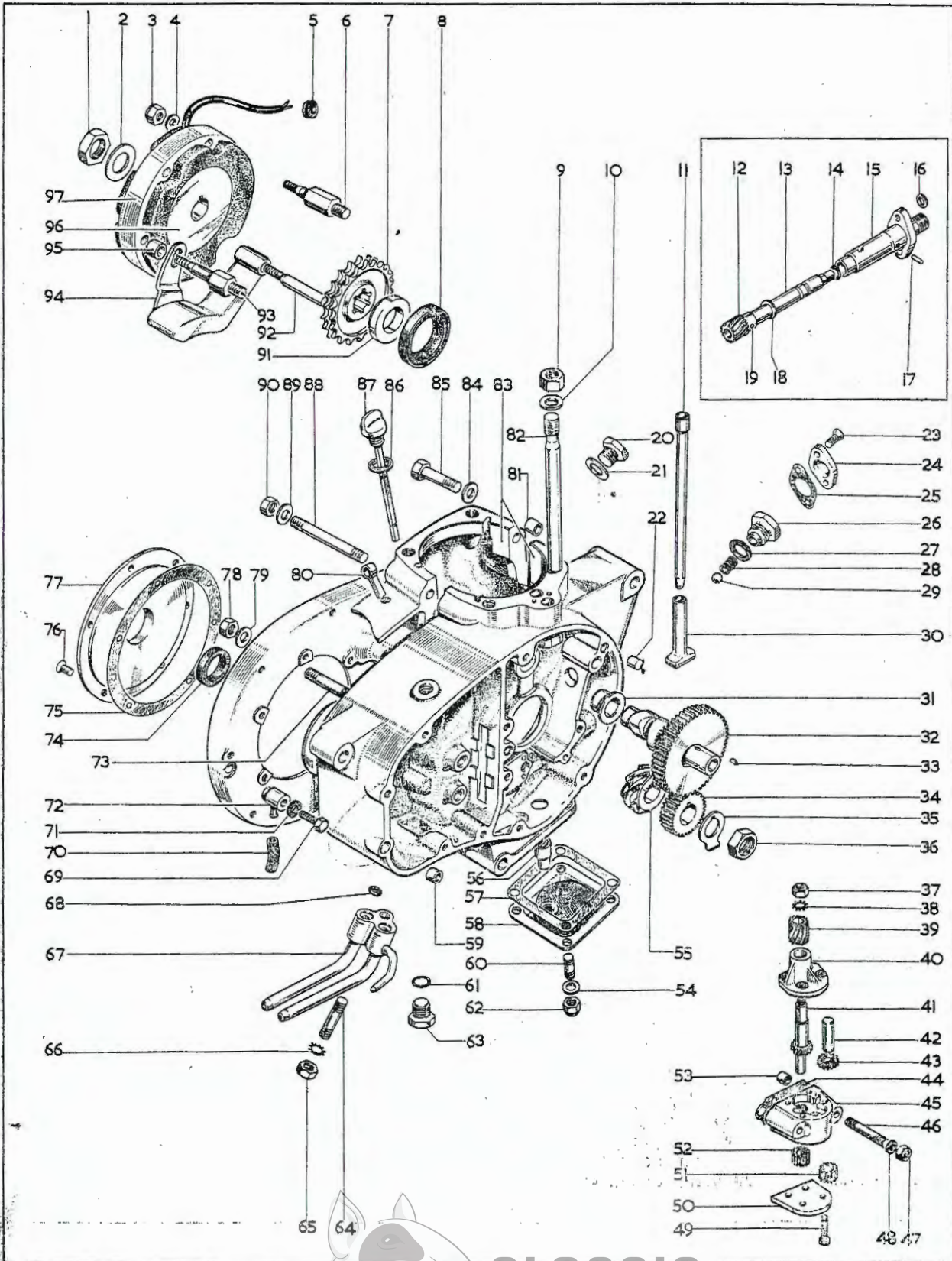
Plate 2

CRANKCASE



Plate Ref.	Spares Number	Description	Per Set
1.	29-2053	Nut, rotor mounting	
2.	29-2054	Washer, rotor mounting	
3.	14-1901	Nut, stator mounting (1/4" UN.F.)	3
4.	2-525	Washer, stator mounting (1/4" x 1/2" x .048")	3
5.	40-705	Grommet, alternator leads	
6.	21-1895*	Front stud, stator mounting (1/4" UN.F. x 5/16" UN.C. x 2-19/32")	
7.	40-210	Engine sprocket (23 teeth)	
8.	40-25	Oil seal, crankcase drive-side	
9.	14-303	Nut, cylinder to crankcase (3/8" UN.F.)	4
10.	2-130	Washer, cylinder to crankcase (3/8" x 11/16" x .080")	4
11.	40-1010	Inlet push rod	
11.	40-1021	Exhaust push rod	
12.	70-9428	Tachometer drive assembly complete	
12.	70-9382	Tachometer drive gear	
13.	70-9381	Tachometer drive shaft	
14.	70-9430	Drive shaft "O" ring	
15.	70-9517	Tachometer drive body	
16.	24-36	Tachometer cable seal washer	
17.	70-9431	Drive shaft locating pin	
18.	70-9383	Tachometer drive thrust washer	
19.	70-9429	Drive gear retaining pin	
20.	21-1872	Timing hole plug (1/2" x 13 UN.C. x 1/2")	
21.	70-8896	Washer, timing hole plug	
22.	40-394	Dowel, inner timing cover to crankcase	2
23.	40-242*	Screw, tachometer drive and cover (2 B.A. x 27/64")	2
24.	70-9384	Sealing plate	
25.	70-9432	Joint washer	
26.	21-1972	Plug, oil pressure release valve	
27.	67-1498	Washer, oil pressure release valve (41/64" x 1" x 1/32")	
28.	40-387	Spring, oil pressure release valve	
29.	90-241	Ball, oil pressure release valve (5/16" diameter)	
30.	70-7739	Tappet, inlet and exhaust	2
31.	70-8315	Camshaft bush	
32.	40-958	Camshaft complete	
33.	40-118	Key, camshaft pinion	
34.	41-569	Crankshaft pinion	
35.	40-455	Lockwasher, crankshaft nut	
36.	42-5864	Nut, crankshaft pinion (5/8" B.S.F.)	
37.	40-414	Nut, oil pump spindle (1/4" B.S.C.)	
38.	29-541	Lockwasher, oil pump spindle nut	
39.	41-603	Oil pump spindle gear	
40.	41-608	Oil pump spindle housing	
41.	40-1015	Oil pump driving spindle	
42.	41-606	Oil pump driven spindle	
43.	40-1016	Oil pump driven feed gear	
44.	41-804	Gasket, oil pump to crankcase	
45.	41-803	Oil pump body	
46.	21-1893*	Stud, oil pump to crankcase (1/4" UN.F./UN.C. x 2-3/16")	2
47.	14-1901	Nut, oil pump to crankcase (1/4" UN.F.)	2
48.	68-938	Washer, oil pump stud nut (17/64" x 5/8" x 1/16")	2
49.	41-609	Screw, oil pump bottom plate (3/16" B.S.C. x 1-1/16")	4
50.	67-1391	Oil pump bottom plate	
51.	41-605	Oil pump driven scavenge gear	



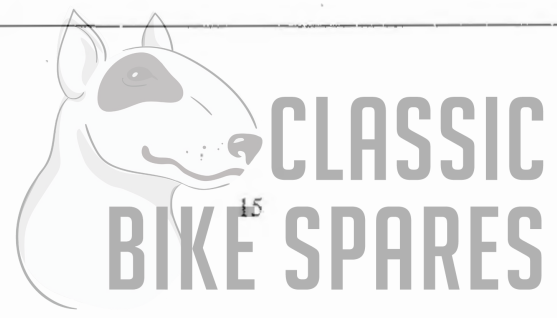


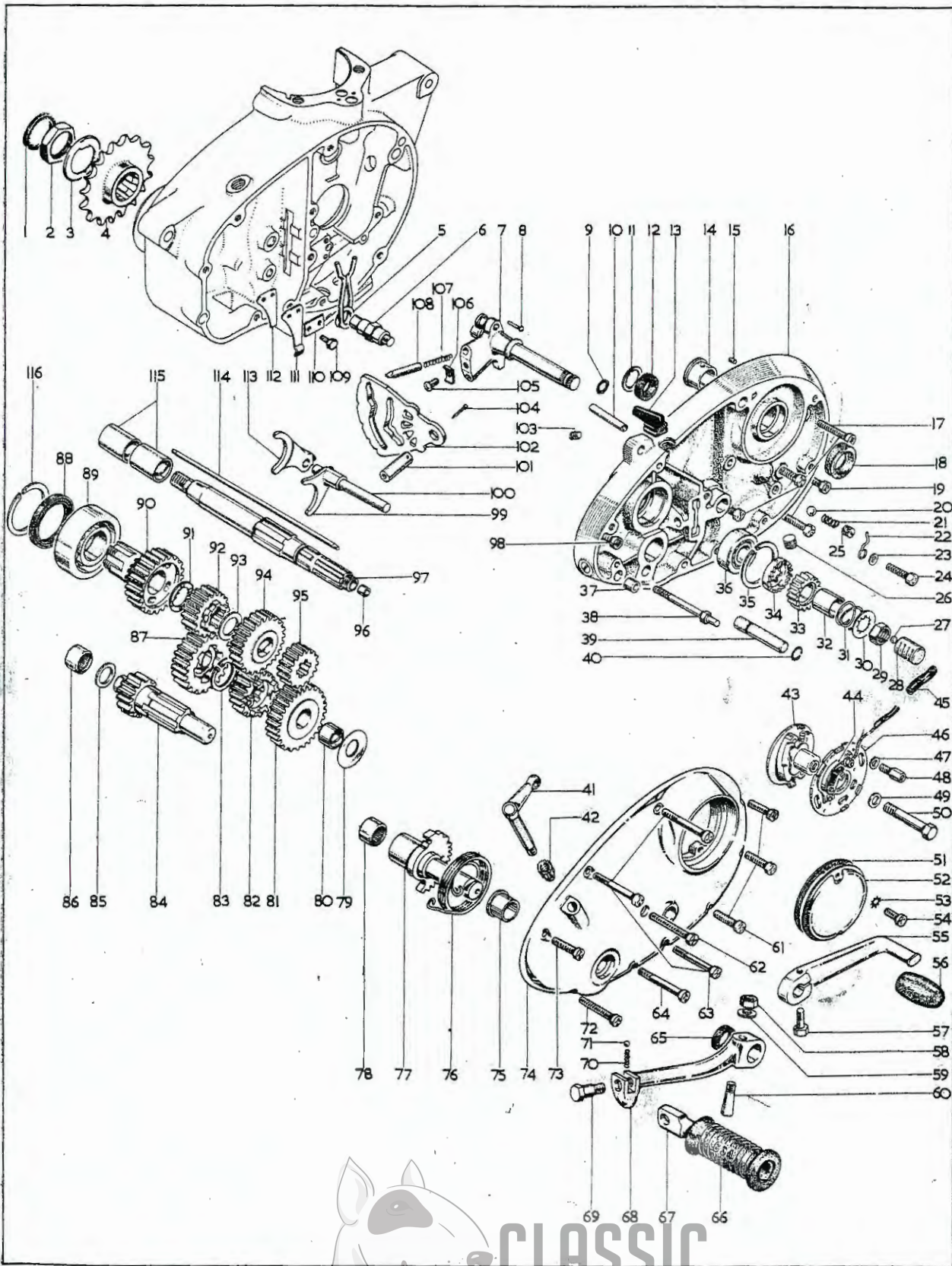


CRANKCASE

Plate Ref.	Spares Number	Description	Per Set
52.	41-604	Oil pump driving scavenge gear .. .. .	1
53.	41-706	Dowel, oil pump to crankcase .. .. .	2
54.	2-525	Washer, sump cover stud ( $\frac{1}{4}'' \times \frac{1}{2}'' \times .048''$ ) .. .. .	4
55.	41-567	Crankshaft oil pump drive worm gear .. .. .	1
56.	41-624	Crankcase scavenge valve .. .. .	1
57.	67-1288	Gasket, crankcase sump cover .. .. .	1
58.	41-620	Crankcase sump cover .. .. .	1
59.	66-3074	Dowel, inner timing cover to crankcase .. .. .	1
60.	14-1401	Stud, crankcase sump cover ( $\frac{1}{4}''$ UN.F./UN.C. $\times 1''$ ) .. .. .	4
61.	68-3168	"O" ring, gearbox drain plug .. .. .	1
62.	14-1901	Nut, crankcase sump cover ( $\frac{1}{4}''$ UN.F.) .. .. .	4
63.	21-1857	Gearbox drain plug .. .. .	1
64.	21-1891	Stud, crankcase oil pipe union ( $\frac{5}{16}''$ UN.F./UN.C. $\times 1\frac{7}{8}''$ ) .. .. .	1
65.	14-302	Nut, crankcase union stud ( $\frac{5}{16}''$ UN.F.) .. .. .	1
66.	36-382	Lockwasher, for nut line 65 ( $\frac{5}{16}''$ ) .. .. .	1
67.	40-1035	Crankcase oil pipe union .. .. .	1
68.	70-8259	"O" ring, crankcase oil pipe union .. .. .	2
69.	14-6203	Bolt, rear chain oiler ( $\frac{1}{4}''$ UN.C. $\times 1\frac{1}{4}''$ ) .. .. .	1
70.	40-375	Oil pipe, rear chain oiler .. .. .	1
71.	66-7518	Fibre washer, rear chain oiler ( $\frac{1}{4}'' \times 17/32'' \times 5/64''$ ) .. .. .	1
72.	68-383	Rear chain oiler .. .. .	1
73.	21-1890	Stud, crankcase rear ( $\frac{5}{16}''$ UN.F./UN.C. $\times 2-11/16''$ ) .. .. .	2
74.	40-243	Oil seal, primary chaincase .. .. .	1
75.	40-241	Gasket, primary chaincase back .. .. .	1
76.	40-246	Screw, primary chaincase back (2 B.A. $\times \frac{5}{16}''$ ) .. .. .	6
77.	70-3789	Cover plate, primary chaincase back .. .. .	1
78.	14-302	Nut, crankcase stud ( $\frac{5}{16}''$ UN.F.) .. .. .	2
79.	2-923	Washer, crankcase stud nut ( $\frac{5}{16}'' \times \frac{5}{8}'' \times \frac{1}{16}''$ ) .. .. .	2
80.	40-9190	Clip, alternator leads .. .. .	1
81.	67-1236	Dowel, crankcase .. .. .	1
82.	40-865*	Cylinder barrel stud ( $\frac{3}{8}''$ UN.F. $\times \frac{7}{16}''$ UN.C. $\times 5\frac{1}{2}''$ ) .. .. .	4
83.	70-9372	Crankcase complete .. .. .	1
84.	2-923	Washer, crankcase bolt ( $\frac{5}{16}'' \times \frac{5}{8}'' \times \frac{1}{16}''$ ) .. .. .	3
85.	21-1892	Bolt, crankcase ( $\frac{5}{16}''$ UN.C. $\times 1\frac{1}{2}''$ ) .. .. .	3
86.	57-948	Washer, gearbox dipstick .. .. .	1
87.	40-1033	Gearbox dipstick .. .. .	1
88.	21-1889	Stud, crankcase top ( $\frac{5}{16}''$ UN.F./UN.C. $\times 2-11/16''$ ) .. .. .	2
89.	2-923	Washer, crankcase stud ( $\frac{5}{16}'' \times \frac{5}{8}'' \times \frac{1}{16}''$ ) .. .. .	2
90.	14-302	Nut, crankcase stud ( $\frac{5}{16}''$ UN.F.) .. .. .	2
91.	40-325	Distance piece (.324—.327") .. .. .	as reqd.
91.	40-326	Distance piece (.309—.312") .. .. .	as reqd.
91.	40-327	Distance piece (.294—.297") .. .. .	as reqd.
92.	21-1896*	Bottom stud, stator mounting ( $\frac{1}{4}''$ UN.F. $\times \frac{5}{16}''$ UN.C. $\times 2-9/16''$ ) .. .. .	1
93.	21-1894*	Rear stud, stator mounting ( $\frac{1}{4}''$ UN.F. $\times \frac{5}{16}''$ UN.C. $\times 2-19/32''$ ) .. .. .	1
94.	41-143	Primary chain tensioner .. .. .	1
95.	41-146	Distance piece, tensioner .. .. .	1
96.	19-8019	Alternator rotor (Lucas 54213901) .. .. .	1
97.	19-1262	Alternator stator (Lucas 47205) .. .. .	1
	41-801	Oil pump complete .. .. .	1

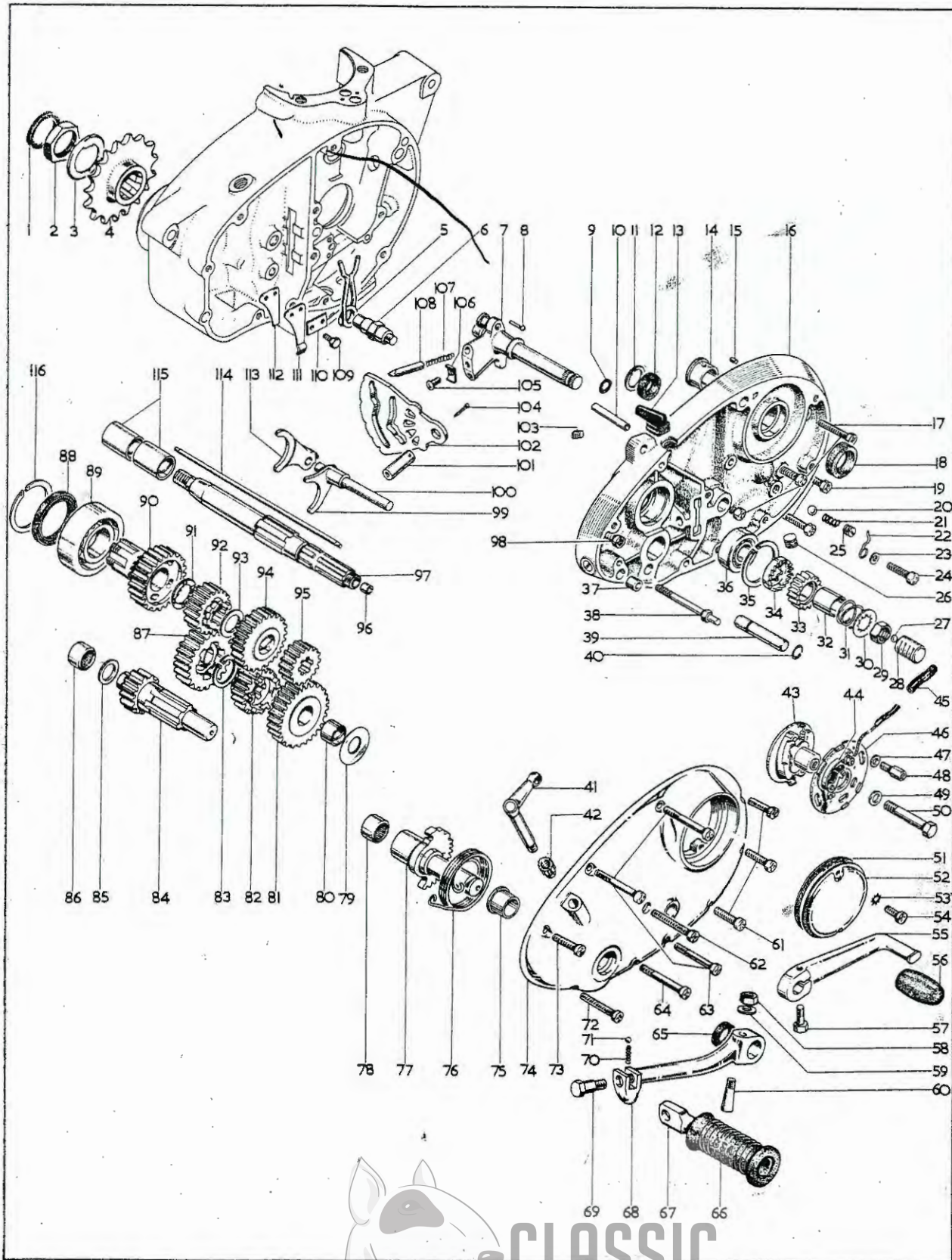
\*Special material:      6.—EN14B.      23.—EN8R.      46.—EN14B.  
                                  82.—EN15.      92.—EN8.      93.—EN14B.





## GEAR CLUSTER

Plate Ref.	Spares Number	Description	Per Set
1.	90-6074	Felt washer, final drive sprocket .. .. .	
2.	40-3051*	Nut, final drive sprocket (1 $\frac{3}{16}$ " w.F.) .. .. .	
3.	40-3121	Lockwasher, final drive sprocket .. .. .	
4.	41-3095	Final drive sprocket (16 teeth) .. .. .	
5.	40-3061	Gearchange return spring .. .. .	
6.	57-3763	Anchor bolt, gearchange return spring .. .. .	
7.	40-3321	Gearchange quadrant .. .. .	
8.	40-3059	Rivet, quadrant plunger .. .. .	2
9.	68-289	"O" ring, oil feed .. .. .	
10.	75-257	Breather pipe, inner timing cover .. .. .	
11.	40-862	Circlip, crankshaft oil seal .. .. .	
12.	40-977	Oil seal, crankshaft .. .. .	
13.	41-715	Grommet, contact breaker leads .. .. .	
14.	40-222	Camshaft bush .. .. .	
15.	40-28	Peg, camshaft bush .. .. .	
16.	70-9388	Inner timing cover .. .. .	
17.	14-6610	Screw, inner cover to crankcase (1/4" UN.C. x 1 1/2") .. .. .	4
18.	40-679	Camshaft oil seal .. .. .	
19.	14-6606	Screw, front, inner cover to crankcase (1/4" UN.C. x 3/4") .. .. .	2
20.	97-2704	Ball, non-return valve (1/4" diameter) .. .. .	
21.	40-381	Spring, non-return valve .. .. .	
22.	90-5268	Clip, contact breaker leads .. .. .	
23.	2-525	Washer, contact breaker leads (1/4" x 1/2" x .048") .. .. .	
24.	14-6610	Screw, inner cover to crankcase (1/4" UN.C. x 1 1/2") .. .. .	
25.	21-1898	Screwed plug, non-return valve (3/8" UN.C.) .. .. .	
26.	70-9526	Sealing plug .. .. .	
27.	65-2593	Ball, clutch thrust (7/32" diameter) .. .. .	
28.	40-3282	Rack, clutch operating .. .. .	
29.	76-271*	Mainshaft nut (1/2" B.S.C.) .. .. .	
30.	40-3257	Lockwasher, mainshaft .. .. .	
31.	40-3273	Spring, kickstart ratchet .. .. .	
32.	40-3272	Bush, kickstart ratchet pinion .. .. .	
33.	40-3271	Pinion, kickstart ratchet .. .. .	
34.	40-3279	Ratchet, kickstart .. .. .	
35.	76-528	Circlip, mainshaft bearing .. .. .	
36.	90-11	Mainshaft bearing (Hoffman LS.7) .. .. .	
37.	66-3074	Dowel, outer timing cover .. .. .	2
38.	57-3764	Anchor bolt, kickstart return spring .. .. .	
39.	40-3276	Stop, kickstart quadrant .. .. .	
40.	40-3277	Circlip, kickstart stop .. .. .	
41.	57-2750	Clutch operating lever .. .. .	
42.	40-3283	Clutch operating pinion .. .. .	
43.	19-1853	Auto-advance unit (Lucas 54419653) .. .. .	
44.	19-1849	Contact set (Lucas 54419827) .. .. .	
45.	40-723	Sleeve, contact breaker leads .. .. .	
46.	19-1852	Contact breaker plate (Lucas 54419645) .. .. .	
47.	40-682	Washer, contact breaker .. .. .	2
48.	40-683	Pillar bolt, contact breaker .. .. .	2
49.	68-331	Washer, auto-advance unit .. .. .	
50.	70-7831*	Bolt, auto-advance unit (1/4" B.S.C. x 2-7/32") .. .. .	
51.	70-7882	Gasket, contact breaker cover .. .. .	
52.	70-8737	Contact breaker cover .. .. .	
53.	29-3319	Lockwasher, cover screw line 54 .. .. .	2
54.	70-7354	Screw, contact breaker cover (2 B.A. x 1/2") .. .. .	2
55.	40-3073	Gearchange lever .. .. .	
56.	89-3208	Rubber, gearchange lever .. .. .	
57.	42-6554	Bolt, gearchange lever (1/4" B.S.C. x 3/4") .. .. .	
58.	2-2578	Nut, Kickstart crank cotter (.266" B.S.C.) .. .. .	
59.	2-2580	Washer, kickstart crank cotter .. .. .	
60.	2-2579	Cotter, kickstart crank (.266" B.S.C.) .. .. .	
61.	40-236	Screw, outer timing cover (2 B.A. x 5/8") .. .. .	3

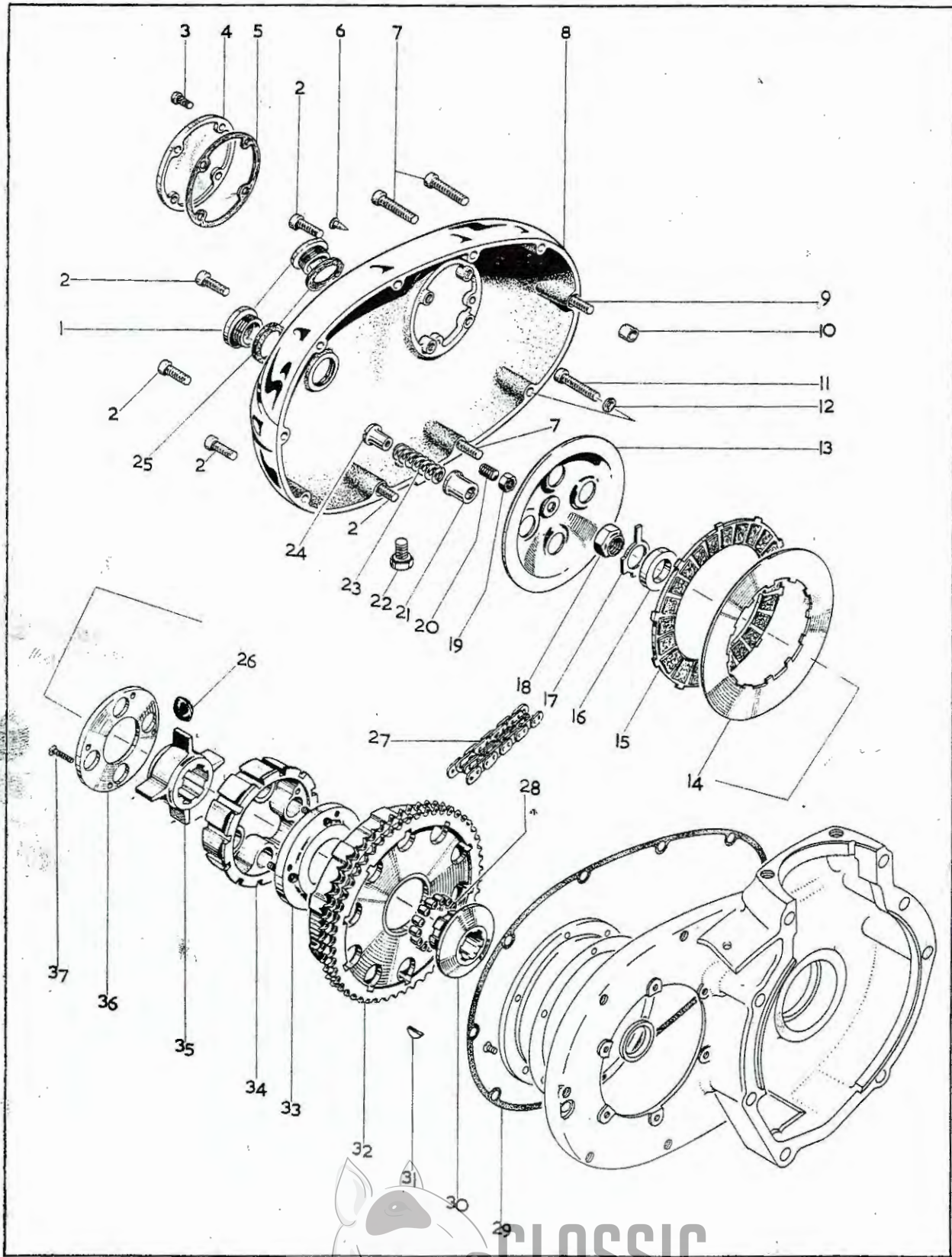


GEAR CLUSTER

Plate Ref.	Spares Number	Description	Per Set
62.	14-6611	Screw, outer timing cover (1/4" UN.C. x 1 3/4")	
63.	14-6612	Screw, outer timing cover (1/4" UN.C. x 2")	3
64.	14-6614	Screw, outer timing cover (1/4" UN.C. x 2 1/2")	
65.	57-2641	Oil seal, kickstart spindle	
66.	57-2759	Pedal rubber, kickstart crank	
67.	57-2646	Folding pedal, kickstart crank	
68.	57-2764	Kickstart crank complete	
69.	40-3084	Bolt, kickstart pedal	
70.	40-3085	Spring, kickstart pedal	
71.	97-2704	Ball, kickstart pedal (1/4" diameter)	
72.	14-6609	Screw, outer timing cover (1/4" UN.C. x 1 1/4")	
73.	14-6606	Screw, outer timing cover (1/4" UN.C. x 3/4")	
74.	70-9433	Outer timing cover	
75.	57-2642	Bush, kickstart spindle	
76.	40-3275	Spring, kickstart return	
77.	57-2643	Kickstart spindle complete	
78.	40-3292	Bearing, layshaft (Torrington B.108)	
79.	40-3258	Shim, layshaft	
80.	40-3262	Bush, layshaft first gear	
81.	57-3874	Pinion, layshaft first gear (27 teeth)	
82.	57-3877	Pinion, layshaft third gear (19 teeth)	
83.	41-3078	Circlip, layshaft	
84.	41-3068	Layshaft with top gear pinion (14 teeth)	
85.	41-3074	Thrust washer (.083—.085")	as reqd.
85.	41-3072	Thrust washer (.078—.080")	as reqd.
86.	40-3292	Bearing, layshaft (Torrington B.108)	
87.	41-3070	Pinion, layshaft second gear (22 teeth)	
88.	41-3054	Oil seal, mainshaft (Pioneer 20615618)	
89.	29-3857	Bearing, mainshaft (Hoffman 130)	
90.	57-3872	Pinion, mainshaft top gear (22 teeth)	
91.	40-3020	Spacer (.093—.094")	as reqd.
91.	40-3126	Spacer (.098—.099")	as reqd.
91.	40-3127	Spacer (.103—.104")	as reqd.
92.	57-3876	Pinion, mainshaft second gear (21 teeth)	
93.	40-3019	Spacer (.075—.076")	as reqd.
93.	40-3119	Spacer (.070—.071")	as reqd.
93.	40-3120	Spacer (.080—.081")	as reqd.
94.	41-3063	Pinion, mainshaft third gear (24 teeth)	
95.	41-3089	Pinion, mainshaft first gear (16 teeth)	
96.	40-3007	Bush, mainshaft push rod	
97.	40-3254	Mainshaft with bush	
98.	14-6608	Screw, inner timing cover (1/4" UN.C. x 1")	
99.	40-3033	Selector fork, layshaft	
100.	40-3032	Spindle, selector forks	
101.	40-3291	Cam plate pivot	
102.	57-3850	Cam plate	
103.	53-3049	Screw, mainshaft oil feed	
104.	60-2724	Split pin, cam plate pivot (3/32" x 1")	
105.	40-3323	Screw, keeper plate (5 B.A. x 5/16")	
106.	40-3194	Keeper plate, control quadrant	
107.	40-3155	Spring, gear control plunger	2
108.	40-3193	Plunger, gear control quadrant	2
109.	40-3044	Bolt, cam plate spring (2 B.A. x 3/8")	2
110.	40-3045	Lockplate, for bolt line 109	
111.	40-3042	Spring, cam plate	
112.	40-3043	Spring plate	
113.	57-3854	Selector fork, mainshaft	
114.	40-3265	Clutch push rod	
115.	41-3045	Bush, mainshaft top gear	2
116.	70-6026	Circlip, mainshaft oil seal	

\*Special material: 2.—EN8. 29.—EN15. 50.—EN14B.

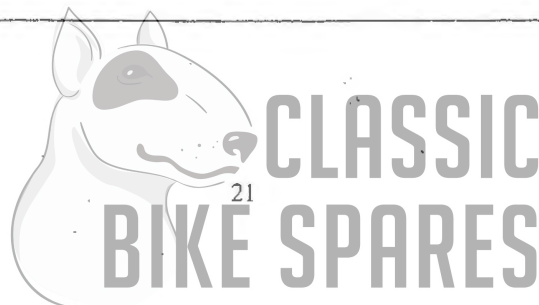
Plate 4

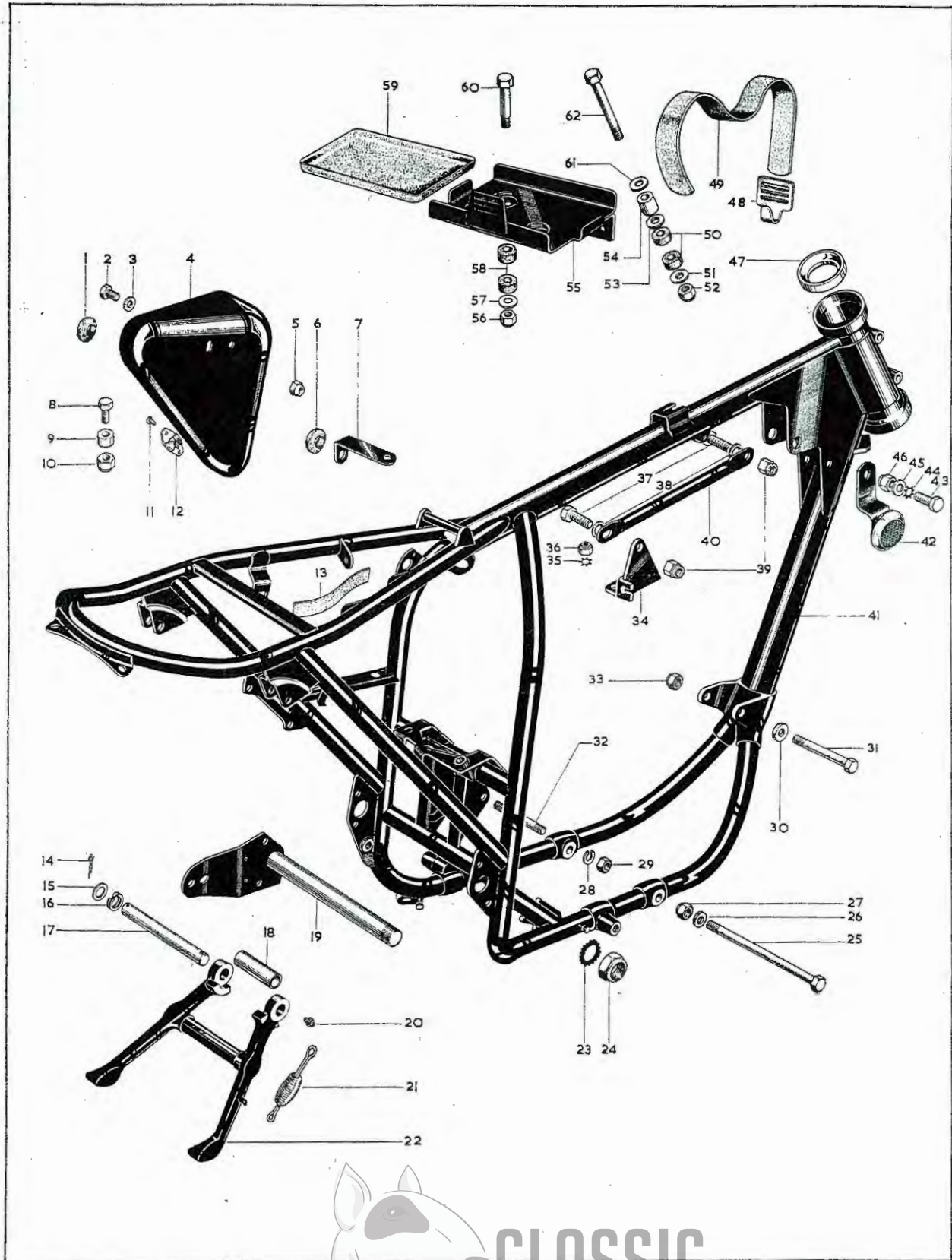


## CLUTCH

Plate Ref.	Spares Number	Description	Per Set
1.	57-2166	Screwed plug, primary cover (1"×16 UN.S)	
1.	70-9800	Screw breather plug, primary cover (1"×16 UN.S.)	
2.	14-6610	Screw, short, primary cover (1/4" UN.C.×1 1/2")	5
3.	76-4116	Screw, inspection cover (2 B.A.×1/2")	4
4.	68-839	Timing inspection cover	
5.	68-840	Cover gasket	
6.	40-1005	Ignition pointer	
7.	14-6611	Screw, long, primary cover (1/4" UN.C.×1 3/4")	4
8.	70-9427	Primary cover assembly	
9.	21-1951	Screw, primary cover (1/4" UN.C.×1 7/8")	
10.	66-3074	Dowel, primary cover to crankcase	2
11.	21-1855	Oil level screw, primary case (1/4" UN.C.×1 3/4")	
12.	40-740	Washer, for screw line 11	
13.	40-3222	Clutch pressure plate	
14.	40-3220	Clutch driven plate	5
15.	40-3233	Clutch driving plate	4
16.	40-3234	Retaining washer, clutch	
17.	40-3221	Lockwasher, clutch nut	
18.	40-3227*	Retaining nuts, clutch (1/2" B.S.C.)	
19.	2-2395	Nut, clutch adjusting screw (1/4" B.S.C.)	
20.	40-3230	Clutch adjusting screw (1/4" B.S.C.×5/8")	
21.	40-3218	Clutch spring cup	4
22.	21-1943	Drain plug, primary case	
23.	40-3231	Clutch spring	4
24.	40-3219	Clutch spring nut	4
25.	70-8782	Washer for primary cover plugs	2
26.	41-3212	Rubber pads, cush drive	8
27.	19-8613	Primary chain (70 pitch)	
28.	40-3206	Roller, clutch hub	25
29.	70-7856	Primary cover gasket	
30.	40-3201	Clutch hub	
31.	40-3150	Key, clutch hub	
32.	47-3214	Chainwheel complete (52 teeth) 57 → 2716	
33.	40-3207	Retaining plate (inner)	
34.	41-3210	Clutch centre	
35.	41-3209	Clutch spider	
36.	40-3210	Retaining plate (outer)	
37.	40-3330	Screw, inner and outer retaining plates (1 B.A.×15/16")	4
	47-3213	Clutch assembly complete	

\*Special material: 18.—EN15.



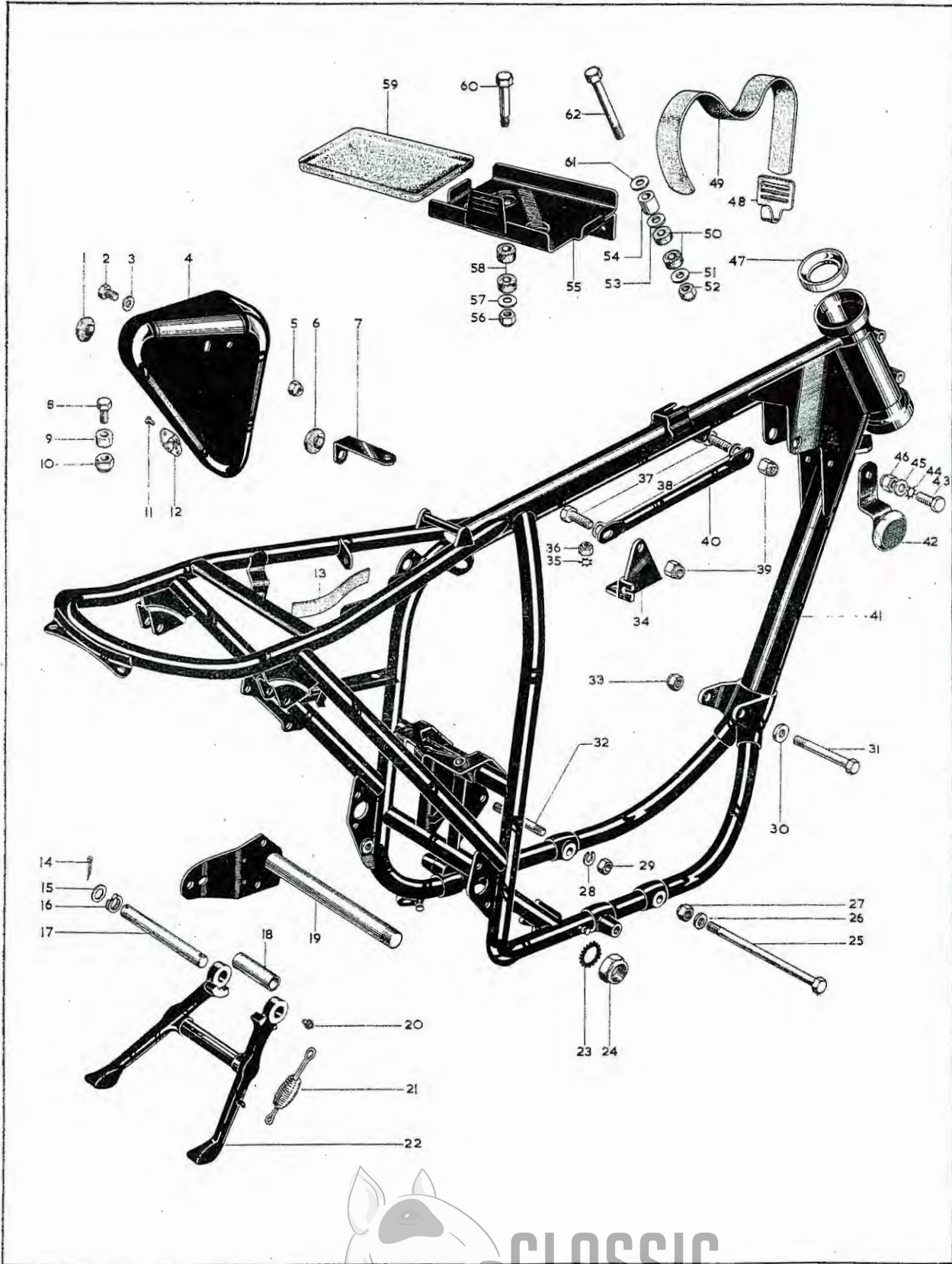




## FRAME

Plate Ref.	Spares Number	Description	Per Set
1.	40-8046	Rubber pad, sidecover .. .. .	
2.	2-220	Bolt, tool tray to frame ( $\frac{1}{4}$ " B.S.C. $\times$ $\frac{3}{8}$ ") .. .. .	
3.	2-525	Washer, tool tray to frame ( $\frac{1}{4}$ " $\times$ $\frac{1}{2}$ " $\times$ .048") .. .. .	
4.	40-9172	Tool tray .. .. .	
5.	40-414	Nut, for bolt line 2 ( $\frac{1}{4}$ " B.S.C.) .. .. .	
6.	40-8046	Rubber pad, sidecover .. .. .	
7.	40-9187	Bracket for pad .. .. .	
8.	2-1354	Bolt, tool tray to frame ( $\frac{1}{4}$ " B.S.C. $\times$ $\frac{41}{64}$ ") .. .. .	
9.	15-7563	Spacer, tool tray .. .. .	
10.	40-414	Nut, for bolt line 8 ( $\frac{1}{4}$ " B.S.C.) .. .. .	
11.	68-9337	Rivet for "Oddie" clip .. .. .	4
12.	68-9115	"Oddie" clip for sidecover .. .. .	2
13.	40-9188	Adhesive strip for sidecover .. .. .	
14.	60-2722†	Split pin, centre stand pivot ( $\frac{3}{32}$ " $\times$ $\frac{3}{4}$ ") .. .. .	2
15.	15-39†	Washer, centre stand pivot ( $\frac{1}{2}$ " $\times$ $\frac{27}{32}$ " $\times$ $\frac{1}{16}$ ") .. .. .	2
16.	3-1346†	Spring washer, centre stand pivot ( $\frac{17}{32}$ " $\times$ $\frac{7}{8}$ " $\times$ .040") .. .. .	
17.	82-9124†	Pivot bar, centre stand .. .. .	
18.	82-9125†	Spacer tube, centre stand .. .. .	
19.	47-4214	Swinging arm spindle .. .. .	
20.	47-9012†	Grease nipple, centre stand .. .. .	2
21.	68-4708†	Spring, centre stand .. .. .	
22.	82-8686†	Centre stand .. .. .	
23.	42-4364	Lockwasher, swinging arm spindle .. .. .	
24.	42-4343	Nut, swinging arm spindle ( $\frac{13}{16}$ " B.S.C.) .. .. .	
25.	21-1934*	Bottom engine bolt ( $\frac{3}{8}$ " UN.F. $\times$ $7\text{-}15/16$ ") .. .. .	
26.	2-2138	Spacer, engine bolt .. .. .	
27.	14-1803	Nut, bottom engine bolt ( $\frac{3}{8}$ " UN.F.) .. .. .	
28.	2-522	Spring washer, rear engine stud .. .. .	2
29.	2-46	Nut, rear engine stud ( $\frac{3}{8}$ " B.S.C.) .. .. .	2
30.	2-2138	Spacer, engine bolt .. .. .	
30.	68-4925†	Spacer, exhaust pipe bracket .. .. .	
31.	40-4081*	Front engine bolt ( $\frac{3}{8}$ " B.S.C. $\times$ $3\text{-}13/16$ ") .. .. .	
32.	40-4077*	Rear engine stud ( $\frac{3}{8}$ " B.S.C. $\times$ $2\text{-}9/16$ ") .. .. .	
33.	42-4475	Nut, front engine bolt ( $\frac{3}{8}$ " B.S.C.) .. .. .	





FRAME

Plate Ref.	Spares Number	Description	Per Set
34.	40-946	Engine steady bracket .. .. .	
35.	36-382	Lockwasher, steady bracket ( $\frac{1}{16}$ " .. .. .	2
36.	2-49	Nut, steady bracket ( $\frac{5}{16}$ " B.S.C.) .. .. .	2
37.	75-4813*	Bolt, steady stay ( $\frac{3}{8}$ " B.S.C. $\times$ 13/16") .. .. .	2
38.	2-2138	Washer, steady stay ( $\frac{3}{8}$ " $\times$ $\frac{3}{4}$ " $\times$ $\frac{1}{16}$ " .. .. .	2
39.	42-4475	Nut, steady stay ( $\frac{3}{8}$ " B.S.C.) .. .. .	2
40.	83-1513	Engine steady stay .. .. .	
41.	82-9213	Frame complete .. .. .	
42.	19-1035‡	Side reflector, amber (Lucas 57173) .. .. .	2
43.	75-4813*	Bolt, reflector mounting, right-hand ( $\frac{3}{8}$ " B.S.C. $\times$ 13/16") .. .. .	
44.	66-4707	Lockwasher, reflector mounting, right-hand .. .. .	
45.	2-2138	Washer, reflector mounting, right-hand ( $\frac{3}{8}$ " $\times$ $\frac{3}{4}$ " $\times$ $\frac{1}{16}$ " .. .. .	
46.	42-4475	Nut, reflector mounting, right-hand ( $\frac{3}{8}$ " B.S.C.) .. .. .	
47.	66-4149	Steering head cup .. .. .	2
48.	4-2608	Strap hook, battery carrier .. .. .	
49.	68-4577	Battery strap .. .. .	
50.	40-4524	Rubber bush, battery carrier .. .. .	2
51.	30-733	Washer, battery carrier ( $25/64$ " $\times$ $7/8$ " $\times$ $1/16$ " .. .. .	
52.	42-4475	Nut, battery carrier ( $3/8$ " B.S.C.) .. .. .	
53.	30-733	Washer, battery carrier ( $25/64$ " $\times$ $7/8$ " $\times$ $1/16$ " .. .. .	
54.	90-4294	Spacer, battery carrier .. .. .	
55.	82-8285	Battery carrier .. .. .	
56.	42-4476	Nut, for bolt line 60 ( $1/16$ " B.S.C.) .. .. .	2
57.	82-9008	Washer, battery carrier .. .. .	2
58.	40-4524	Rubber bush, battery carrier .. .. .	4
59.	68-4597	Rubber mat, battery carrier .. .. .	
60.	40-4530	Bolt, battery carrier ( $1/16$ " B.S.C. $\times$ $1\frac{7}{16}$ " .. .. .	2
61.	30-733	Washer, battery carrier ( $25/64$ " $\times$ $7/8$ " $\times$ $1/16$ " .. .. .	
62.	65-8326	Bolt, battery carrier ( $3/8$ " B.S.C. $\times$ 3") .. .. .	

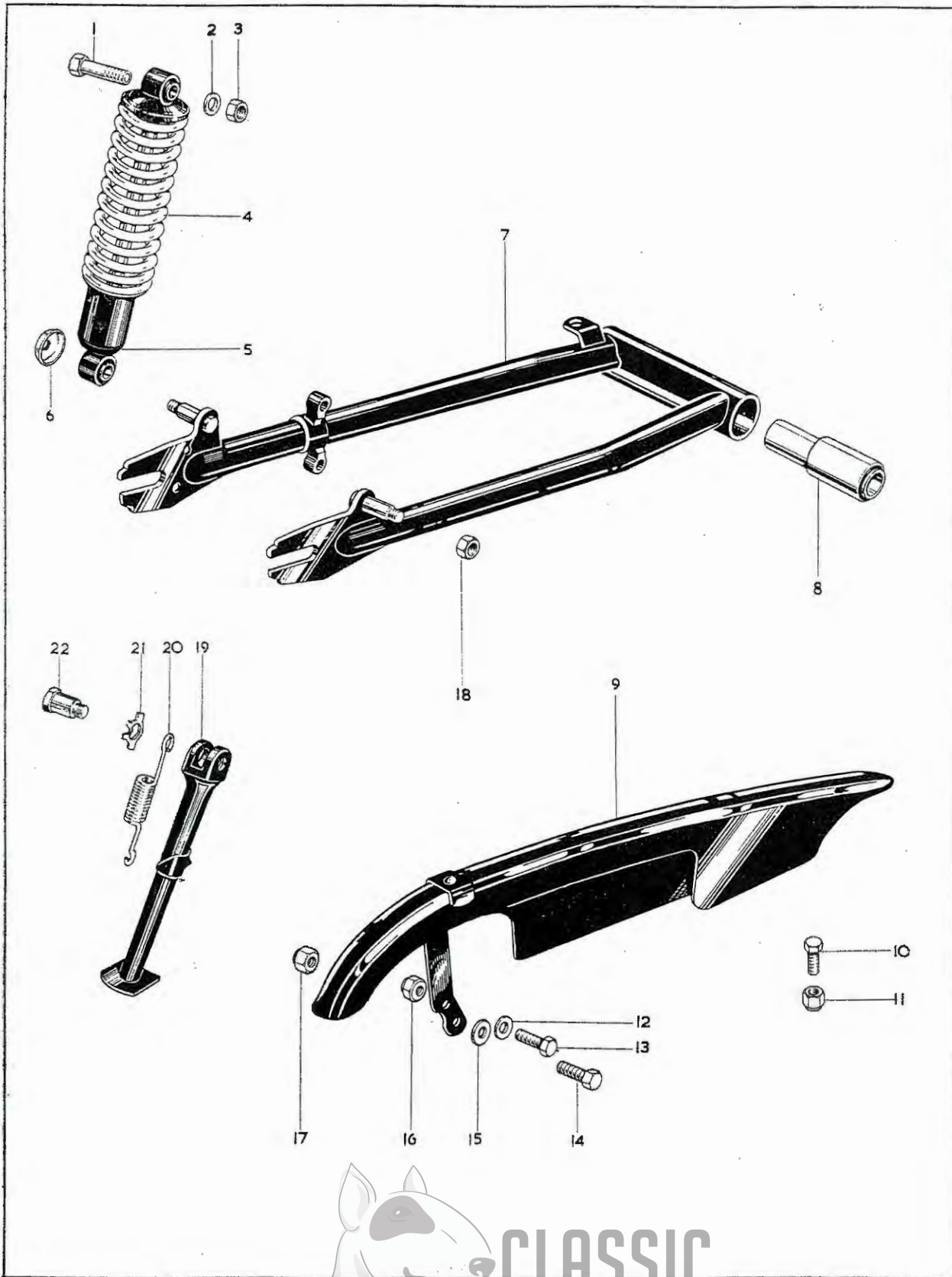
\*Special material:      25.—EN15.                      31.—EN14B.                      32.—EN15.  
    37.—EN8R.                      43.—EN8R.

†U.S.A. models excepted.

‡U.S.A. models only.



Plate 6

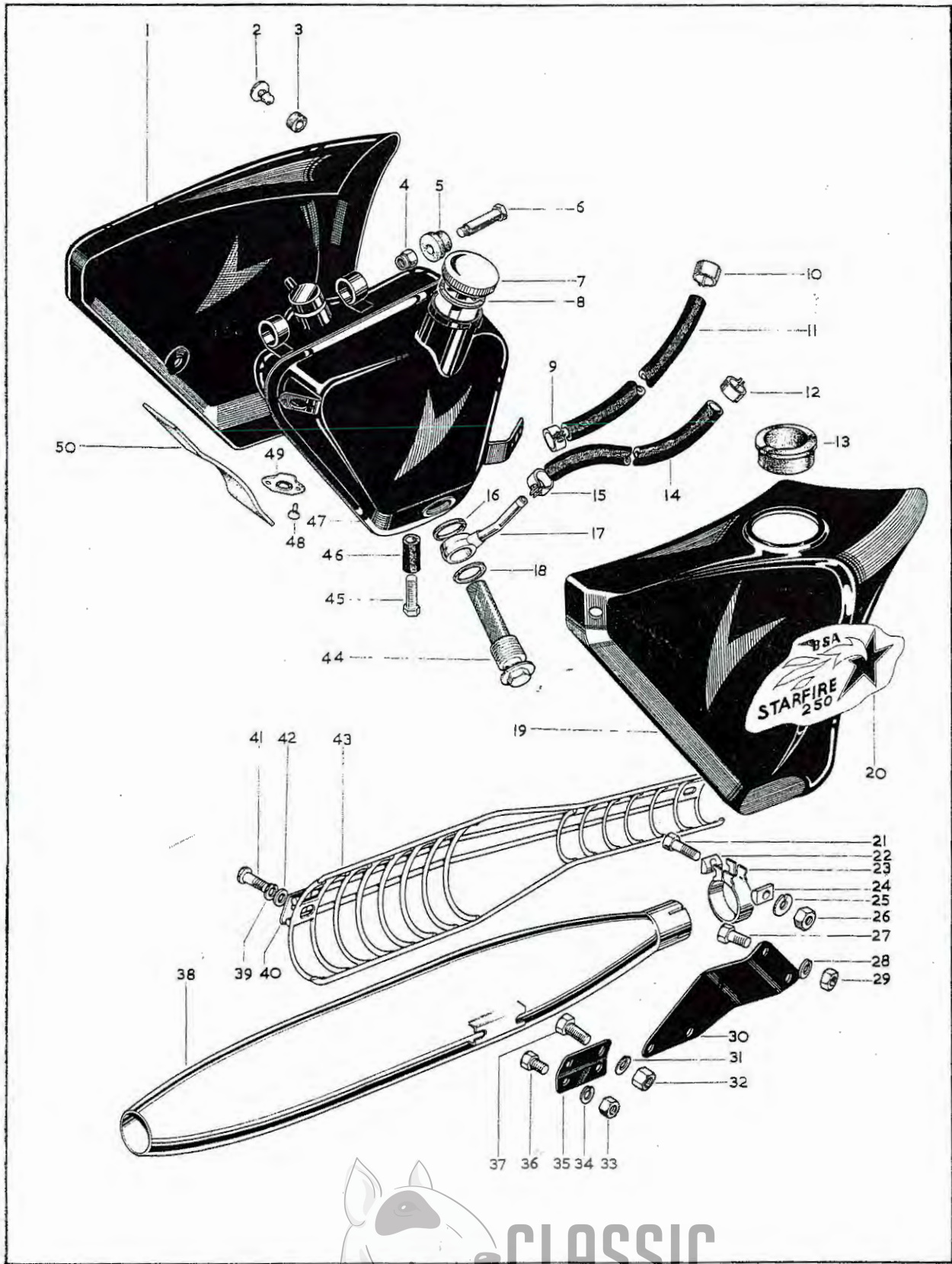


## SWINGING ARM

Plate Ref.	Spares Number	Description	Per Set
1.	40-6910*	Bolt, rear damper top mounting ( $\frac{3}{8}$ " B.S.C. $\times$ $1\frac{7}{8}$ ") .. .. .	2
2.	2-1733	Washer, rear damper top mounting ( $\frac{3}{8}$ " $\times$ $1\frac{3}{16}$ " $\times$ $\frac{1}{16}$ ") .. .. .	2
3.	2-449	Nut, rear damper top mounting ( $\frac{3}{8}$ " B.S.C.) .. .. .	2
4.	19-7441	Rear damper spring (Girling 64543708) .. .. .	2
5.	19-7452	Rear damper complete (Girling 4644) .. .. .	2
6.	82-8933	Dust cover, rear damper .. .. .	2
7.	82-9210	Swinging arm with bushes .. .. .	
8.	40-4241	Silentbloc bushes, swinging arm .. .. .	2
9.	82-9950	Rear chainguard .. .. .	
10.	2-220	Bolt, chainguard front ( $\frac{1}{4}$ " B.S.C. $\times$ $\frac{3}{8}$ ") .. .. .	
11.	40-414	Nut, chainguard front ( $\frac{1}{4}$ " B.S.C.) .. .. .	
12.	2-2138	Washer, chainguard rear ( $\frac{3}{8}$ " $\times$ $\frac{3}{4}$ " $\times$ $\frac{1}{16}$ ") .. .. .	
13.	14-113	Bolt, chainguard rear ( $\frac{5}{16}$ " UN.F. $\times$ $\frac{5}{8}$ ") .. .. .	
14.	67-1171*	Bolt, chainguard and anchor strap ( $\frac{3}{8}$ " B.S.C. $\times$ $1\frac{1}{16}$ ") .. .. .	
15.	2-861	Washer, chainguard and anchor strap ( $\frac{3}{8}$ " $\times$ $\frac{3}{4}$ " $\times$ $\frac{3}{32}$ ") .. .. .	
16.	14-902	Nut, for bolt line 13 ( $\frac{5}{16}$ " UN.F.) .. .. .	
17.	41-4105	Nut, for bolt line 14 ( $\frac{3}{8}$ " B.S.C.) .. .. .	
18.	14-903	Nut, rear damper bottom mounting ( $\frac{3}{8}$ " UN.F.) .. .. .	2
19.	40-4752	Prop stand .. .. .	
20.	40-4735	Prop stand spring .. .. .	
21.	40-4734	Lockwasher, prop stand pivot .. .. .	
22.	40-4733*	Pivot bolt, prop stand ( $\frac{3}{8}$ " B.S.C. $\times$ $1\frac{9}{32}$ ") .. .. .	

\*Special material:      1.—EN15.                      14.—EN15.                      22.—EN32.

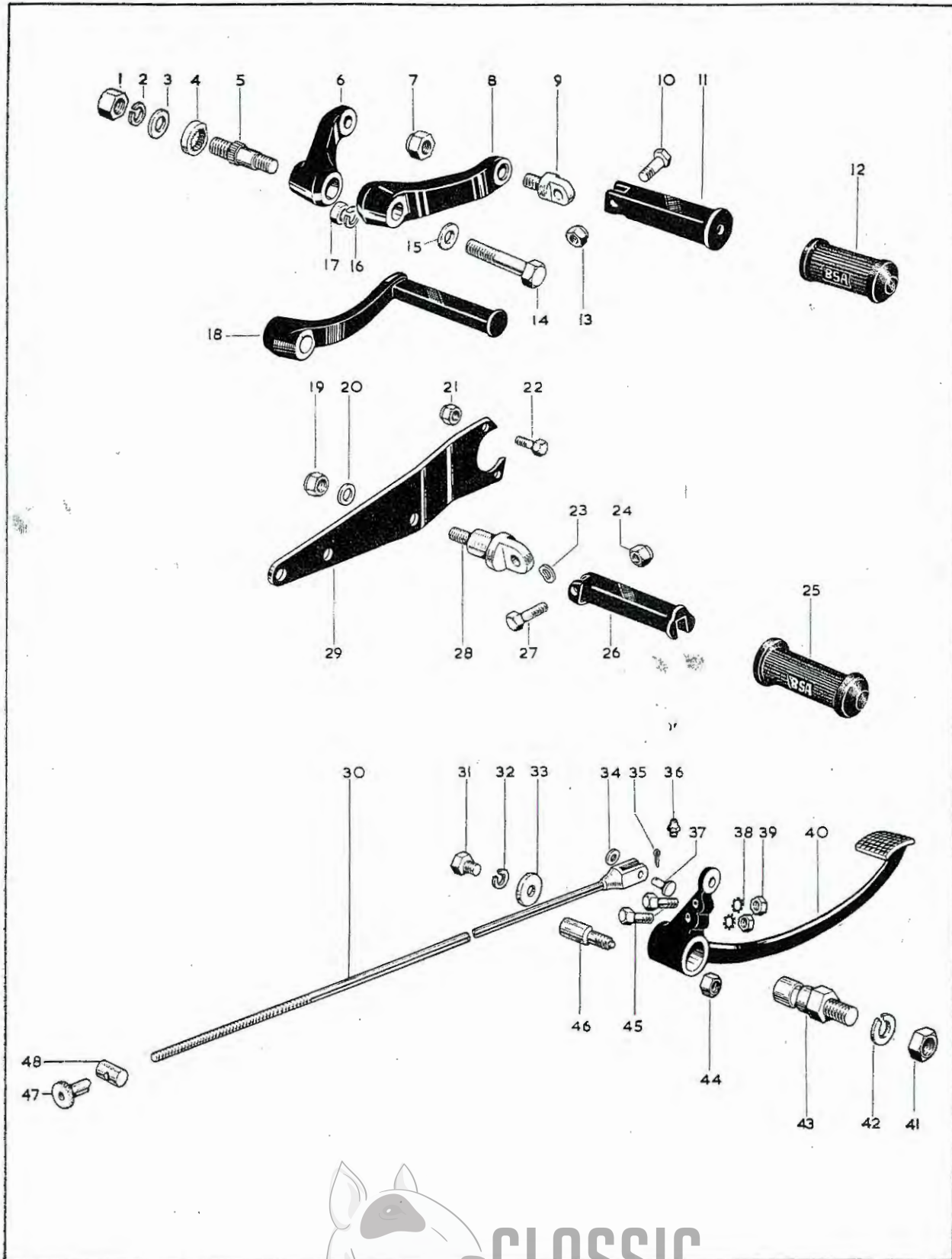




## OIL TANK, SIDECOVERS, SILENCER

Plate Ref.	Spares Number	Description	Per Set
1.	83-1452	Sidecover, drive-side .. .. .	
1.	83-1458	Sidecover, drive-side (U.S.A.) .. .. .	
2.	68-9287	"Oddie" stud (long) .. .. .	
2.	68-9223	"Oddie" stud (short) .. .. .	3
3.	68-9226	Rubber bush, "Oddie" stud .. .. .	5
3.	68-9227	Rubber bush, "Oddie" stud .. .. .	
4.	42-3249	Nut, oil tank mounting—top ( $\frac{1}{4}$ " B.S.C.) .. .. .	2
5.	40-8436	Rubber bush, oil tank mounting .. .. .	2
6.	40-8435	Bolt, oil tank mounting ( $\frac{1}{4}$ " B.S.C. $\times$ $1\frac{3}{4}$ ") .. .. .	2
7.	68-8368	Filler cap, oil tank .. .. .	
8.	67-42	Fibre washer, filler cap .. .. .	
9.	68-8343	Clip, oil return pipe .. .. .	
10.	68-8343	Clip, oil return pipe .. .. .	
11.	40-8382	Oil return pipe .. .. .	
12.	68-8382	Clip, oil feed pipe .. .. .	
13.	82-8953	Grommet, sidecover timing-side .. .. .	
14.	68-8383	Oil feed pipe .. .. .	
15.	68-8382	Clip, oil feed pipe .. .. .	
16.	29-7971	Fibre washer, oil pipe union .. .. .	
17.	82-8874	Oil pipe connection .. .. .	
18.	29-7971	Fibre washer, oil pipe union .. .. .	
19.	83-1454	Sidecover, timing-side .. .. .	
19.	83-1459	Sidecover, timing-side (U.S.A.) .. .. .	
20.	40-9185	Sidecover transfer .. .. .	2
21.	14-219	Bolt, silencer clip ( $\frac{5}{16}$ " UN.F. $\times$ $1\frac{1}{2}$ ") .. .. .	
22.	75-2719	Saddle washer, silencer clip .. .. .	
23.	70-5874	Silencer clip .. .. .	
24.	75-2719	Saddle washer, silencer clip .. .. .	
25.	54-8003	Spring washer, silencer clip .. .. .	
26.	21-1908	Nut, silencer clip ( $\frac{5}{16}$ " UN.F.) .. .. .	
27.	14-115	Bolt, bracket to frame—U.S.A. ( $\frac{5}{16}$ " UN.F. $\times$ $\frac{7}{8}$ ") .. .. .	2
28.	24-8784	Spring washer, bracket to frame (U.S.A.) .. .. .	2
29.	14-302	Nut, bracket to frame—U.S.A. ( $\frac{5}{16}$ " UN.F.) .. .. .	2
30.	82-9944	Silencer bracket (U.S.A.) .. .. .	
31.	2-2903	Spring washer, bracket to frame ( $13/32$ " $\times$ $9/16$ " $\times$ $1/8$ ") .. .. .	2
32.	2-46	Nut, bracket to frame ( $3/8$ " B.S.C.) .. .. .	2
33.	2-2395	Nut, Bracket to silencer ( $1/4$ " B.S.C.) .. .. .	2
34.	2-1462	Spring washer, bracket to silencer ( $1/4$ " $\times$ $19/32$ " $\times$ $.040$ ") .. .. .	2
35.	40-2844	Silencer bracket .. .. .	
36.	2-204	Bolt, bracket to silencer ( $1/4$ " B.S.C. $\times$ $1/2$ ") .. .. .	2
37.	24-649	Bolt, bracket to frame ( $3/8$ " B.S.C. $\times$ $7/8$ ") .. .. .	2
38.	70-9652	Silencer complete .. .. .	
38.	70-9683	Silencer complete (U.S.A.) .. .. .	
39.	24-978	Spring washer, heat shield—first sets—U.S.A. ( $1/4$ " $\times$ $7/16$ " $\times$ $.040$ ") .. .. .	2
40.	70-9817	Clip, heat shield—first sets (U.S.A.) .. .. .	2
41.	21-761	Screw, heat shield—first sets—U.S.A. ( $1/4$ " UN.F. $\times$ $5/8$ ") .. .. .	2
41.	21-1837	Screw, heat shield—after first sets (U.S.A.) .. .. .	2
42.	76-101	Washer, heat shield—first sets (U.S.A.) .. .. .	2
43.	70-9818	Heat shield, first sets (U.S.A.) .. .. .	
43.	70-9415	Heat shield, after first sets (U.S.A.) .. .. .	
44.	29-7962	Oil tank filter .. .. .	
45.	21-771	Bolt, oil tank bottom mounting ( $1/8$ " UN.F. $\times$ $1\frac{3}{4}$ ") .. .. .	
46.	40-8401	Grommet, oil tank bottom mounting .. .. .	
47.	68-9337	Rivet, "Oddie" clip .. .. .	4
48.	82-8950	Oil tank with fixed fittings .. .. .	
49.	68-9115	"Oddie" clip for sidecover .. .. .	2
50.	40-9188	Rubber pad, sidecover to frame .. .. .	

Plate 8

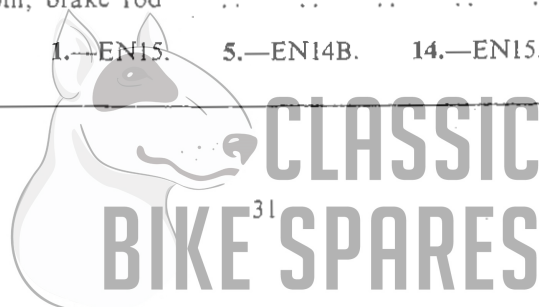


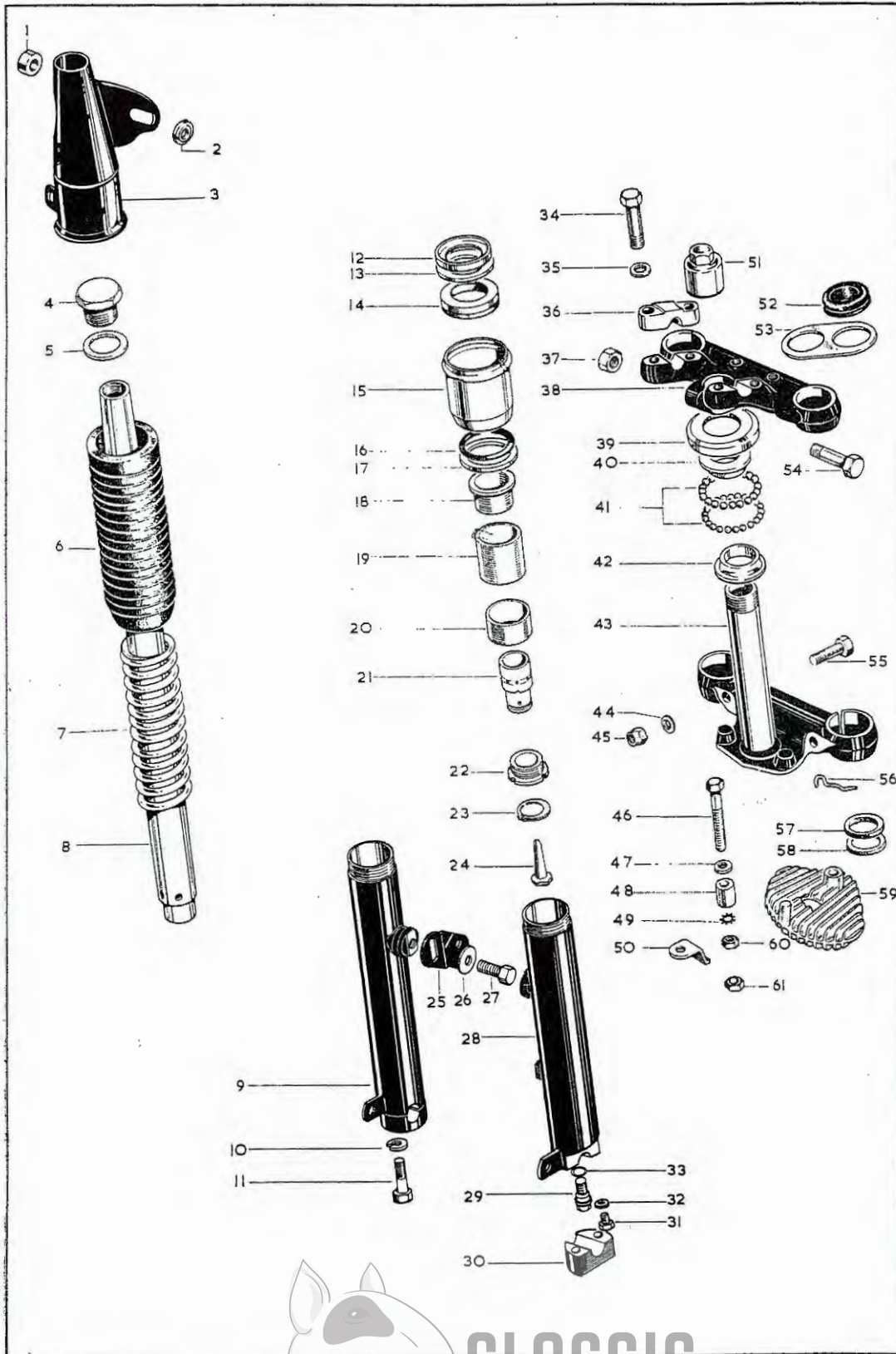


FOOTRESTS AND BRAKE LINKAGE

Plate Ref.	Spares Number	Description	Per Set
1.	40-4810*	Nut, footrest to stud, left-hand ( $\frac{7}{16}$ " B.S.C. left-hand) .. .. .	..
2.	2-1967	Spring washer, footrest to stud, left-hand ( $\frac{7}{16}$ " $\times$ $\frac{7}{8}$ " $\times$ $\frac{1}{16}$ " ) .. .. .	..
3.	2-1945	Washer, footrest to stud, left-hand ( $\frac{7}{16}$ " $\times$ $\frac{7}{8}$ " $\times$ $\frac{1}{16}$ " ) .. .. .	..
4.	40-4818	Lockplate, footrest to stud (left-hand) .. .. .	..
5.	40-4855*	Footrest stud, left-hand ( $\frac{3}{8}$ " B.S.C. $\times$ $\frac{7}{16}$ " B.S.C. left-hand $\times$ 2") .. .. .	..
6.	82-8448	Footrest bracket for folding footrest (U.S.A.) .. .. .	..
7.	41-4105	Nut, anchor bolt to bracket—U.S.A. ( $\frac{3}{8}$ " B.S.C.) .. .. .	..
8.	82-8448	Footrest bracket for folding footrest (U.S.A.) .. .. .	..
9.	65-4917	Anchor bolt, folding footrest (U.S.A.) .. .. .	2
10.	29-5293	Bolt, footrest to anchor bolt—U.S.A. ( $\frac{5}{16}$ " B.S.C. $\times$ 1 $\frac{1}{4}$ " ) .. .. .	2
11.	42-4926	Folding footrest (U.S.A.) .. .. .	2
12.	82-9608	Folding footrest rubber (U.S.A.) .. .. .	2
12.	82-9602	Footrest rubber .. .. .	2
13.	42-4476	Nut, footrest to anchor bolt—U.S.A. ( $\frac{7}{16}$ " B.S.C.) .. .. .	2
14.	68-4081*	Bolt, footrest bracket to frame, right-hand ( $\frac{3}{8}$ " B.S.C. $\times$ 2-15/16") .. .. .	..
15.	27-5676	Washer, footrest bracket to frame, (right-hand) .. .. .	..
16.	2-522	Spring washer, footrest bracket to frame (right-hand) .. .. .	..
17.	2-45	Nut, footrest bracket to frame, right-hand ( $\frac{3}{8}$ " B.S.C.) .. .. .	..
18.	40-4853	Footrest bracket .. .. .	2
19.	41-4105	Nut, pillion footrest anchor bolt ( $\frac{3}{8}$ " B.S.C.) .. .. .	2 or 1
19.	14-303	Nut, pillion footrest anchor bolt, left-hand—U.S.A. ( $\frac{3}{8}$ " UN.F.) .. .. .	..
20.	2-2138	Washer, pillion footrest anchor bolt ( $\frac{3}{8}$ " $\times$ $\frac{3}{4}$ " $\times$ $\frac{1}{16}$ " ) .. .. .	2
21.	14-702	Nut, bracket to frame ( $\frac{5}{16}$ " UN.F.) .. .. .	3
22.	14-116	Bolt, bracket to frame ( $\frac{5}{16}$ " UN.F. $\times$ 1") .. .. .	3
23.	4-2276	Washer, pillion footrest .. .. .	2
24.	42-4476	Nut, pillion footrest pivot bolt ( $\frac{5}{16}$ " B.S.C.) .. .. .	2
25.	82-9603	Pillion footrest rubber .. .. .	2
26.	68-4835	Pillion footrest .. .. .	2
27.	29-5293	Bolt, pillion footrest pivot ( $\frac{5}{16}$ " B.S.C. $\times$ 1 $\frac{1}{4}$ " ) .. .. .	2
28.	40-4820	Anchor bolt (left-hand) .. .. .	..
28.	82-8507	Anchor bolt, left-hand (U.S.A.) .. .. .	..
28.	65-4917	Anchor bolt (right-hand) .. .. .	..
29.	41-4835	Bracket, right-hand (U.S.A.) .. .. .	..
29.	82-9943	Bracket (right-hand) .. .. .	..
-30.	41-7037	Rear brake rod .. .. .	..
31.	40-6030*	Bolt, brake pedal to pivot ( $\frac{3}{8}$ " B.S.C. $\times$ $\frac{3}{4}$ " ) .. .. .	..
32.	3-111	Spring washer, brake pedal to pivot (13/32" $\times$ 39.64" $\times$ .104") .. .. .	..
33.	30-196	Washer, brake pedal to pivot ( $\frac{3}{8}$ " $\times$ 1 $\frac{1}{8}$ " $\times$ $\frac{1}{8}$ " ) .. .. .	..
34.	2-525	Washer, brake rod to pedal ( $\frac{1}{4}$ " $\times$ $\frac{1}{2}$ " $\times$ .048") .. .. .	..
35.	60-2683	Split pin, brake rod to pedal ( $\frac{1}{16}$ " $\times$ $\frac{3}{8}$ " ) .. .. .	..
36.	28-2080	Grease nipple, brake pedal .. .. .	..
37.	83-1460	Pivot pin, brake rod to pedal .. .. .	..
38.	29-541	Lockwasher, pedal adjuster bolt .. .. .	2
39.	2-1027	Nut, pedal adjuster ( $\frac{1}{4}$ " B.S.C.) .. .. .	2
40.	47-7013	Rear brake pedal .. .. .	..
41.	2-1925	Nut, brake pedal pivot ( $\frac{7}{16}$ " B.S.C.) .. .. .	..
42.	2-1967	Spring washer, brake pedal pivot ( $\frac{7}{16}$ " $\times$ $\frac{7}{8}$ " $\times$ $\frac{1}{16}$ " ) .. .. .	..
43.	41-7007	Pivot pin, brake pedal .. .. .	..
44.	14-702	Nut, brake pedal stop ( $\frac{5}{16}$ " UN.F.) .. .. .	..
45.	47-7003	Bolt, brake pedal adjuster ( $\frac{1}{4}$ " B.S.C.) .. .. .	2
46.	82-9958	Brake pedal stop .. .. .	..
47.	90-7029	Adjuster nut, brake rod ( $\frac{1}{4}$ " B.S.F.) .. .. .	..
48.	65-6274	Swivel pin, brake rod .. .. .	..

\*Special material: 1.—EN15. 5.—EN14B. 14.—EN15. 31.—EN14B.

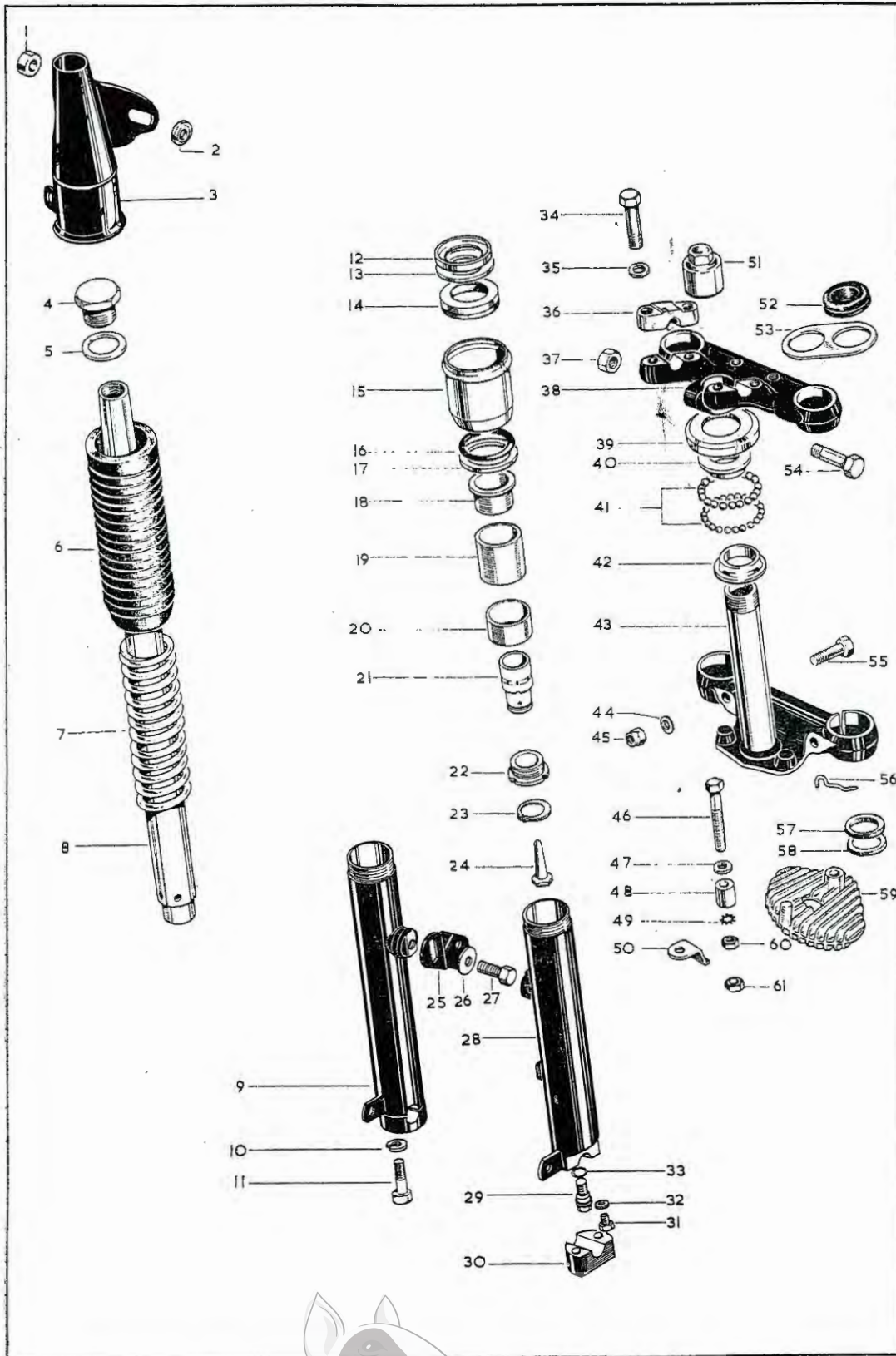




## FRONT FORK

Plate Ref.	Spares Number	Description	Per Set
1.	68-5108	Spacer, headlamp mounting .. .. .	2
2.	68-5104	Washer, headlamp mounting .. .. .	2
3.	97-3693	Fork sleeve (left-hand) .. .. .	
3.	97-3694	Fork sleeve (right-hand) .. .. .	
4.	97-2245	Top cap nut, fork shaft (1-1/8" x 28 UN.F.) .. .. .	2
5.	65-5332	Washer for cap nut .. .. .	2
6.	97-2513	Fork bellows .. .. .	2
7.	89-5036	Fork spring .. .. .	2
8.	97-3637	Fork shaft .. .. .	2
9.	97-2294	Sliding tube (left-hand) .. .. .	
10.	54-8003	Spring washer, end cap bolt .. .. .	4
11.	14-218	Bolt, fork end cap (5/16" UN.F. x 1 3/8") .. .. .	4
12.	97-3638	Spring support .. .. .	2
13.	97-1656	Spring support washer .. .. .	2
14.	75-5099	Fork oil seal .. .. .	2
15.	97-3639	Oil seal holder .. .. .	2
16.	75-5199	Fork "O" ring .. .. .	2
17.	75-5088	Outer washer .. .. .	2
18.	75-5105	Fork top bearing bush .. .. .	2
19.	97-3672	Fork inner sleeve .. .. .	2
20.	75-5104	Fork lower bearing bush .. .. .	2
21.	97-2154	Shuttle valve .. .. .	2
22.	97-2091	Fork shaft plug .. .. .	2
23.	97-2127	Shuttle valve circlip .. .. .	2
24.	97-2090	Valve restrictor .. .. .	2
25.	97-3669	Mounting bracket, front mudguard (right-hand) .. .. .	
25.	97-3680	Mounting bracket, front mudguard (left-hand) .. .. .	
26.	54-5502	Washer, bracket bolt .. .. .	2
27.	21-1822	Bolt, mounting bracket (5/16" UN.F. x 1/2") .. .. .	2
28.	97-2295	Sliding tube (right-hand) .. .. .	
29.	97-2126	Bolt, valve restrictor (1/4" UN.F. x 1-3/32") .. .. .	2
30.	97-5095	Fork end cap .. .. .	2
31.	97-519	Fork drain plug .. .. .	2



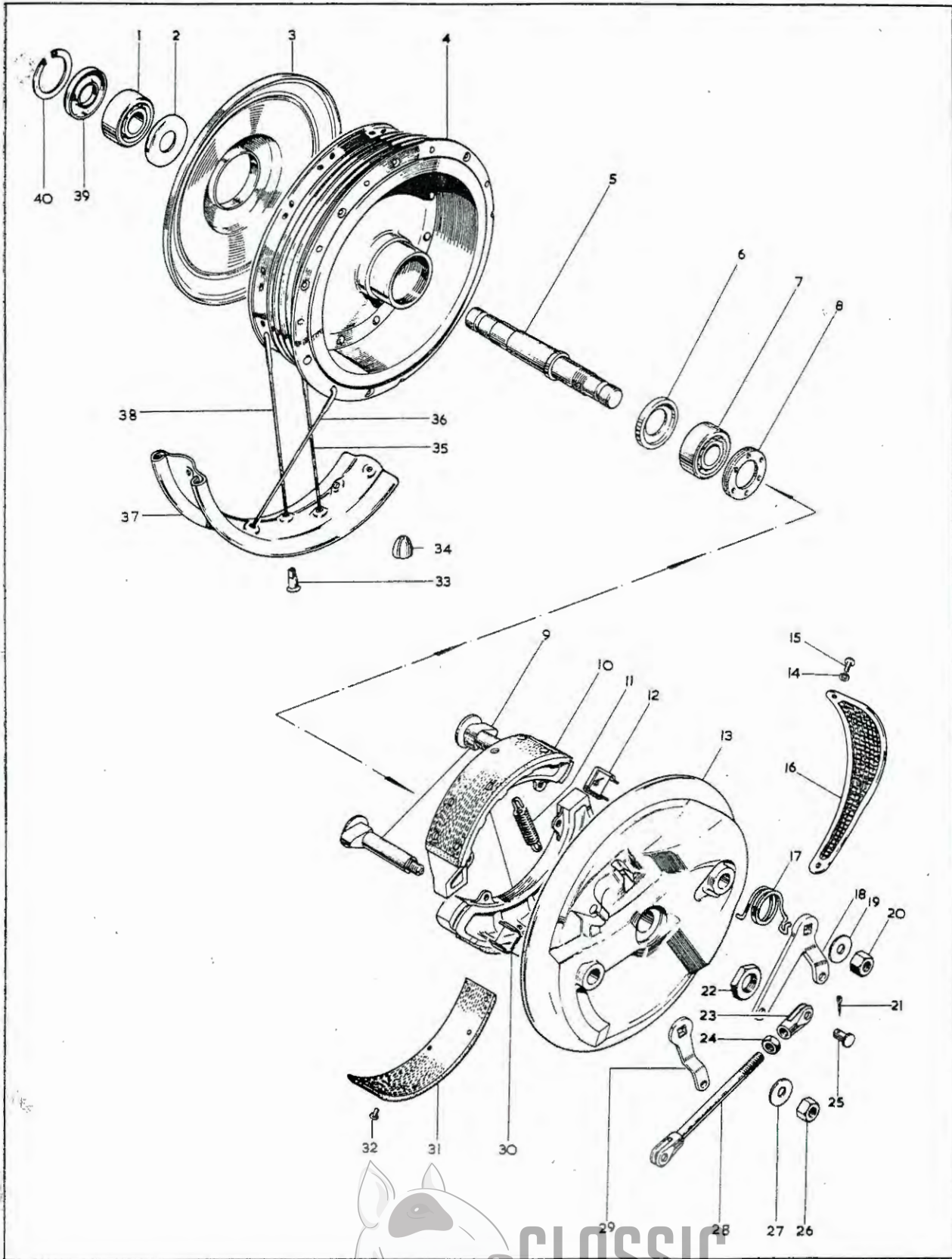


## FRONT FORK

Plate Ref.	Spares Number	Description	Per Set
32.	54-42	Washer, fork drain plug .. .. .	2
33.	40-5069	Sealing washer, restrictor bolt .. .. .	2
34.	68-5056	Bolt, handlebar clamp ( $\frac{5}{16}$ " B.S.C. $\times$ $1\frac{1}{8}$ " ) .. .. .	4
35.	15-5155	Washer, handlebar clamp bolt ( $21/64$ " $\times$ $1/2$ " $\times$ .048") .. .. .	4
36.	65-5333	Handlebar clamp 97-2655 .. .. .	2
37.	64-6016	Nut, fork top yoke pinch bolt ( $\frac{3}{8}$ " B.S.C.) .. .. .	
38.	97-2525	Fork top yoke .. .. .	
39.	40-5145	Dust cap, steering head top cone .. .. .	
40.	40-5143	Top cone, steering head .. .. .	
41.	97-2704	Steel ball, steering head ( $1/4$ " diameter) .. .. .	40
42.	40-5144	Bottom cone, steering head .. .. .	
43.	97-2526	Fork bottom yoke .. .. .	
44.	2-2138	Washer, pinch bolt ( $\frac{3}{8}$ " $\times$ $\frac{3}{4}$ " $\times$ $\frac{1}{16}$ " ) .. .. .	2
45.	14-303	Nut, pinch bolt ( $\frac{3}{8}$ " UN.F.) .. .. .	2
46.	40-9134	Bolt, diode heat sink ( $\frac{5}{16}$ " B.S.C. $\times$ 3") .. .. .	
47.	2-923	Washer, heat sink bolt ( $\frac{5}{16}$ " $\times$ $\frac{5}{8}$ " $\times$ $\frac{1}{16}$ " ) .. .. .	2
48.	29-9388	Spacer, heat sink .. .. .	
49.	36-382	Lockwasher, heat sink bolt ( $\frac{4}{16}$ " ) .. .. .	
50.	68-9429	Diode retainer .. .. .	
51.	40-5018	Adjusting cap, steering head .. .. .	
52.	76-9325	Grommet, cable guide (U.S.A.) .. .. .	2
53.	68-5137	Cable guide (U.S.A.) .. .. .	2
54.	27-5135	Bolt, top yoke .. .. .	
55.	21-785*	Boit, bottom yoke ( $\frac{3}{8}$ " UN.F. $\times$ $2\frac{1}{16}$ " ) .. .. .	2
56.	40-5090	Cable guide clip .. .. .	
57.	47-5065	Sealing washer .. .. .	2
58.	47-5064	Seal retainer .. .. .	4
59.	68-9428	Diode heat sink .. .. .	
60.	2-49	Nut, heat sink bolt ( $\frac{5}{16}$ " B.S.C.) .. .. .	
61.	75-3144	Nut, heat sink bolt ( $\frac{5}{16}$ " B.S.C.) .. .. .	
	97-3671	Front fork complete .. .. .	

\*Special material: 55.—EN15.



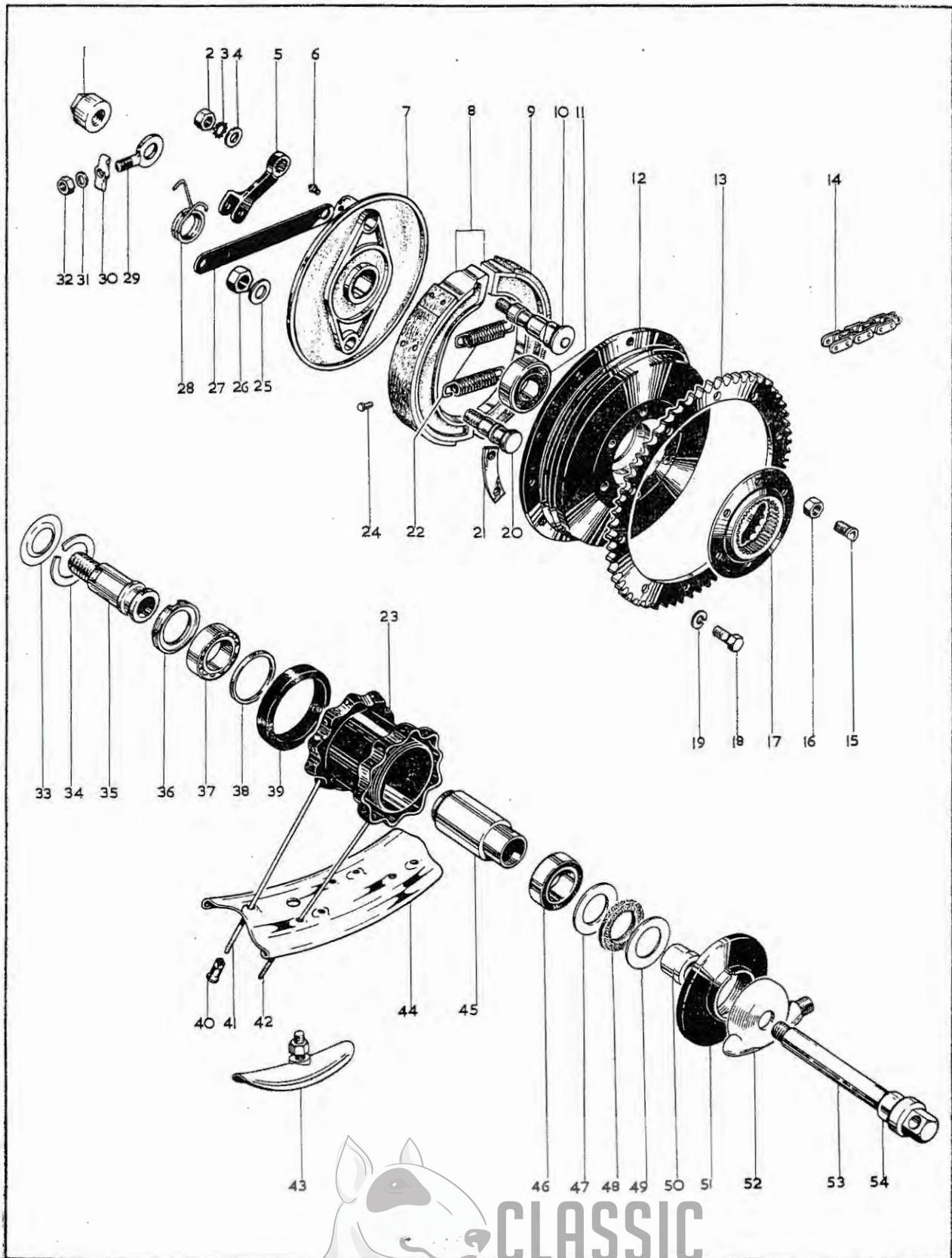


FRONT WHEEL

Plate Ref.	Spares Number	Description	Per Set
1.	42-5819	Bearing (Hoffman 120)	
2.	37-1481	Grease cap (left-hand)	
3.	37-3443	Cover plate (left-hand)	
4.	37-3466	Hub with spindle and bearings	
5.	37-2057	Wheel spindle	
6.	37-3337	Bearing backing ring (right-hand)	
7.	42-5819	Bearing (Hoffman 120)	
8.	42-6335	Bearing retainer	
9.	37-2001	Brake cam spindle	2
10.	37-3446	Brake shoe complete	2
11.	42-5841	Brake shoe spring	2
12.	37-2026	Pivot pad, brake shoe	
13.	37-2130	Brake plate with gauze	
14.	82-2351	Washer, for screw line 15	3
15.	21-650	"Taptite" screw, gauze air scoop (4-40 x 5/16")	3
16.	37-3444	Gauze, air scoop	
17.	37-3522	Return spring, brake lever	
18.	37-3453	Front brake lever (front)	
19.	37-2027	Washer, lever to cam spindle	
20.	14-403	Nut, lever to cam spindle (3/8" UN.F.)	
21.	60-2683	Split pin, rod to lever	2
22.	37-2058	Spindle nut, brake plate (3/4" x 20 UN.F.)	
23.	37-2005	Fork end, brake rod	
24.	14-401	Locknut, fork end to rod (1/4" UN.F.)	
25.	42-5836	Pivot pin, rod to lever	2
26.	14-403	Nut, lever to cam spindle (3/8" UN.F.)	
27.	37-2027	Washer, lever to cam spindle	
28.	37-3450	Brake rod assembly	
29.	37-3454	Front brake lever (rear)	
30.	37-2026	Pivot pad, brake shoe	
31.	19-7736	Brake lining	2
32.	42-5840	Rivet, brake lining	16
33.	37-2136	Spoke nipple	40
34.	42-5860	Balance weight (3/4")	as reqd.
34.	42-5861	Balance weight (1")	as reqd.
35.	37-2134	Spoke, right-hand inner	10
36.	37-2135	Spoke, right-hand outer	10
37.	37-1373	Wheel rim (WM2-18)	
38.	37-2133	Spoke (left-hand)	20
39.	42-5820	Dust cover (left-hand)	
40.	42-5821	Dust cover circlip (left-hand)	
	37-3455	Brake plate assembly with brake details	
	37-3463	Wheel complete with spindle and bearings	



Plate 11

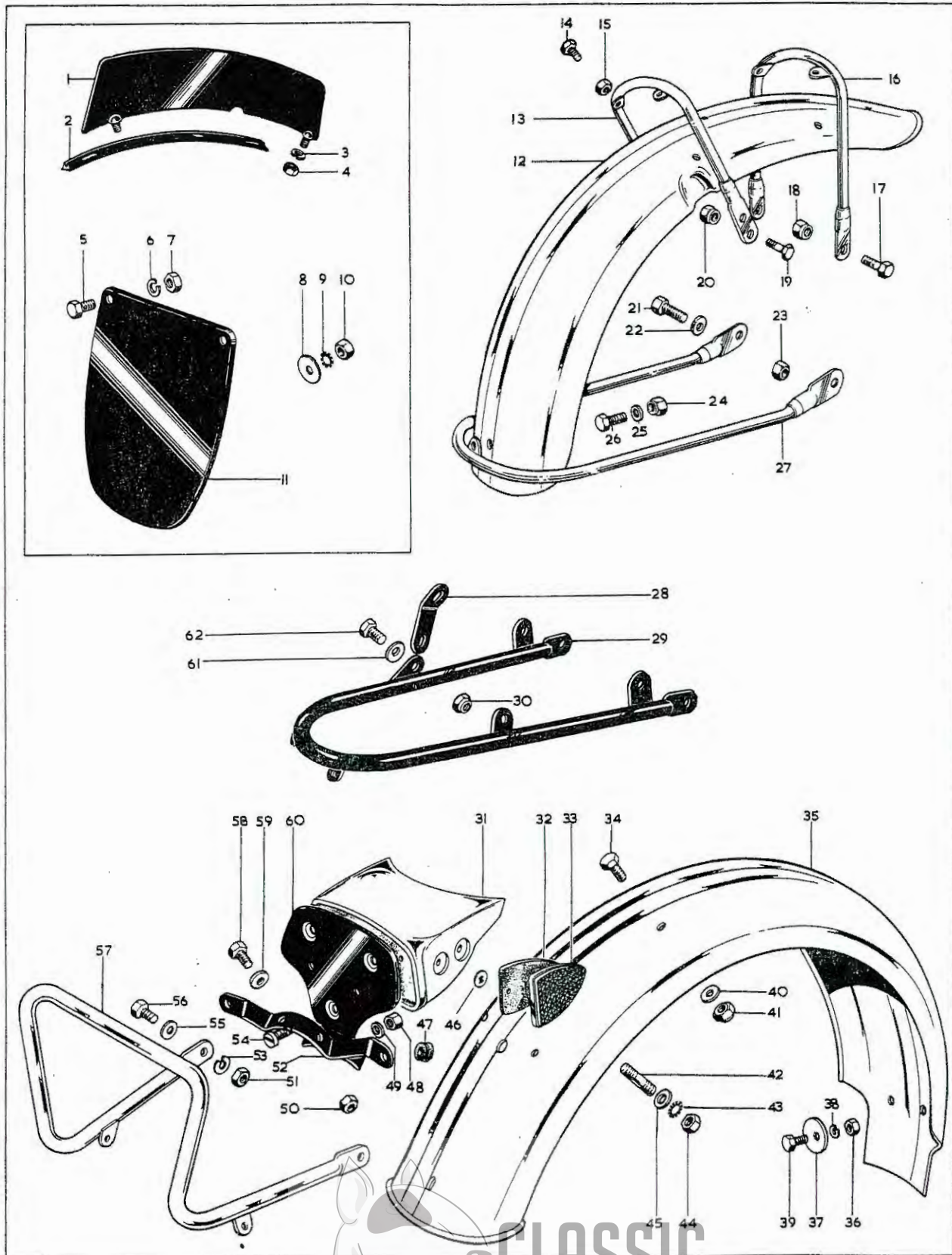




## REAR WHEEL

Plate Ref.	Spares Number	Description	Per Set
1.	68-6066	Nut, fixed spindle .. .. .	..
2.	2-440	Nut, brake lever to cam spindle ( $\frac{7}{16}$ " B.S.C.) .. .. .	..
3.	66-4708	Lockwasher, brake lever to cam spindle .. .. .	..
4.	15-431	Washer, brake lever to cam spindle ( $\frac{7}{16}$ " $\times$ $\frac{3}{4}$ " $\times$ $\frac{1}{16}$ " .. .. .	..
5.	42-6045	Brake lever .. .. .	..
6.	28-2080	Grease nipple, cam spindle .. .. .	..
7.	41-6093	Brake anchor plate .. .. .	..
8.	65-5940	Rear brake shoe complete .. .. .	2
9.	19-7717	Brake lining .. .. .	2
10.	37-2226	Brake cam spindle .. .. .	..
11.	65-5883	Brake drum bearing (Hoffman LS.9) .. .. .	..
12.	41-6090	Rear Brake drum .. .. .	..
13.	41-6091	Rear chainwheel (49 teeth) .. .. .	..
14.	19-8687	Rear chain (100 pitch) .. .. .	..
15.	67-6038*	Bolt, hub to drum ( $\frac{3}{8}$ " B.S.C.) .. .. .	6
16.	2-452	Nut, hub to drum ( $\frac{3}{8}$ " B.S.C.) .. .. .	6
17.	42-6019	Driving flange .. .. .	..
18.	68-6095*	Bolt, chainwheel to drum ( $\frac{5}{16}$ " UN.F. $\times$ 13/32", .. .. .	10
19.	24-8784	Spring washer, chainwheel to drum .. .. .	10
20.	68-6133	Fulcrum pin, brake shoe .. .. .	..
21.	68-6135	Lockplate, for nut line 16 .. .. .	3
22.	65-5904	Return spring, brake shoe .. .. .	2
23.	41-6022	Rear hub with spindle and bearings .. .. .	..
24.	35-6436	Rivet, brake lining .. .. .	14
25.	65-5111	Washer, fulcrum pin .. .. .	..
26.	24-7000	Nut, fulcrum pin ( $\frac{1}{2}$ " B.S.C.) .. .. .	..
27.	41-6094	Brake anchor strap .. .. .	..
28.	68-6134	Brake lever return spring .. .. .	..
29.	40-6033	Rear wheel adjuster .. .. .	2
30.	40-6040	Adjuster cap .. .. .	2
31.	2-923	Washer, wheel adjuster ( $\frac{5}{16}$ " $\times$ $\frac{5}{8}$ " $\times$ $\frac{1}{16}$ " .. .. .	2
32.	42-4476	Nut, wheel adjuster ( $\frac{5}{16}$ " B.S.C.) .. .. .	2
33.	67-6033	Shim, brake drum bearing .. .. .	..
34.	67-6034	Retainer, brake drum bearing .. .. .	..
35.	41-6032	Fixed spindle .. .. .	..
36.	68-6081	Retainer, left-hand hub bearing .. .. .	..
37.	41-6016	Hub bearing (Hoffman LS.9RS) .. .. .	..
38.	65-5884	Thrust washer, left-hand bearing .. .. .	..
39.	67-6051	Rubber seal ring .. .. .	..
40.	27-6810	Spoke nipple .. .. .	40
41.	42-6011	Spoke (left-hand) .. .. .	20
42.	42-6012	Spoke (right-hand) .. .. .	20
43.	68-9574	Security bolt .. .. .	..
44.	40-6080	Wheel rim (WM2-18) .. .. .	..
45.	67-6027	Spindle sleeve .. .. .	..
46.	41-6016	Hub bearing (Hoffman LS.9RS) .. .. .	..
47.	65-5887	Retaining ring, felt washer .. .. .	..
48.	65-5886	Felt washer .. .. .	..
49.	41-6021	Outer retaining ring, felt washer .. .. .	..
50.	41-6019	Spacer, inner right-hand .. .. .	..
51.	68-6142	Hub end cover .. .. .	..
52.	19-9212	Speedometer gearbox—2 to 1 ratio (BG.5330/31) .. .. .	..
53.	41-6098	Hub spindle .. .. .	..
54.	41-6082	Spacer, outer right-hand .. .. .	..
	40-6078	Rear wheel with spindle and bearings .. .. .	..

\*Special material: 15.—EN14B. 18.—EN14B.

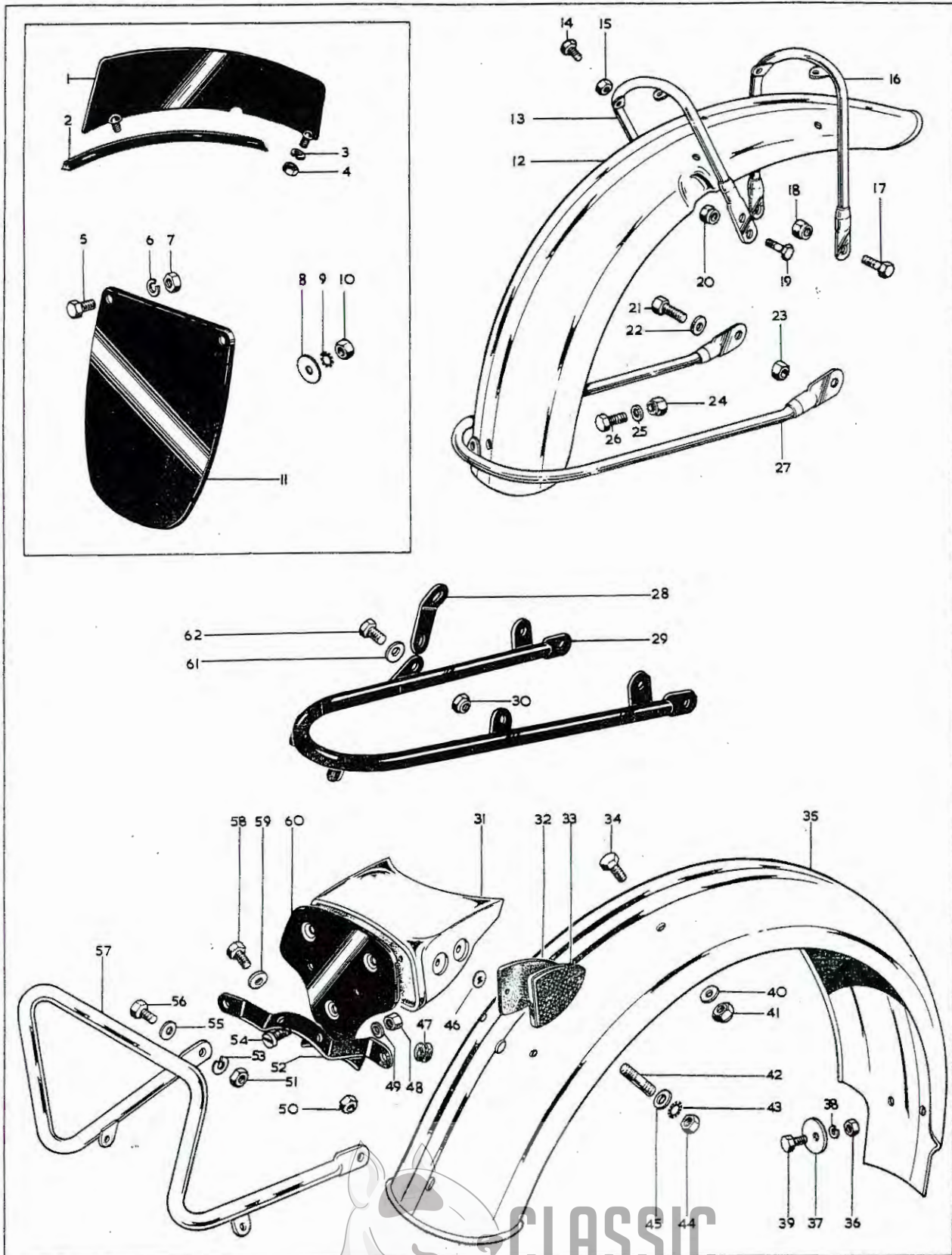


## MUDGUARDS

Plate Ref.	Spares Number	Description	Per Set
1.	90-6576	Front number plate .. .. .	
2.	42-6558	Beading, front number plate .. .. .	
3.	2-1462	Spring washer, front number plate ( $\frac{1}{4}'' \times 19/32'' \times .040''$ ) .. .. .	2
4.	2-2395	Nut, front number plate ( $\frac{1}{4}''$ B.S.C.) .. .. .	2
5.	24-7178	Bolt, rear number plate ( $\frac{1}{4}''$ B.S.C. $\times \frac{7}{16}''$ ) .. .. .	2
6.	2-1462	Spring washer, rear number plate ( $\frac{1}{4}'' \times 19/32'' \times .040''$ ) .. .. .	2
7.	2-2395	Nut, rear number plate ( $\frac{1}{4}''$ B.S.C.) .. .. .	2
8.	27-8560	Washer, rear number plate ( $\frac{1}{4}'' \times \frac{5}{8}'' \times .048''$ ) .. .. .	
9.	29-541	Lockwasher, rear number plate .. .. .	
10.	21-5102	Nut, rear number plate ( $\frac{1}{4}''$ B.S.F.) .. .. .	
11.	82-9991	Rear number plate .. .. .	
12.	90-6579	Front mudguard .. .. .	
12.	90-6580	Front mudguard (U.S.A.) .. .. .	
13.	82-8393	Centre stay, front mudguard .. .. .	
14.	2-204	Bolt, stay to mudguard ( $\frac{1}{4}''$ B.S.C. $\times \frac{1}{2}''$ ) .. .. .	4
15.	42-3249	Nut, stay to mudguard ( $\frac{1}{4}''$ B.S.C.) .. .. .	4
16.	82-8392	Front stay, front mudguard .. .. .	
17.	15-518	Bolt, stays to bracket ( $\frac{5}{16}''$ B.S.C. $\times 1-1/32''$ ) .. .. .	2
18.	75-6594	Nut, stays to bracket ( $\frac{5}{16}''$ B.S.C.) .. .. .	2
19.	27-6037	Bolt, stays to bracket ( $\frac{5}{16}''$ B.S.C. $\times \frac{7}{8}''$ ) .. .. .	2
20.	75-6594	Nut, stays to bracket ( $\frac{5}{16}''$ B.S.C.) .. .. .	2
21.	14-114	Bolt, stay to fork end ( $\frac{5}{16}''$ UN.F. $\times \frac{3}{4}''$ ) .. .. .	2
22.	54-55	Washer, stay to fork end .. .. .	2
23.	14-702	Nut, stay to fork end ( $\frac{5}{16}''$ UN.F.) .. .. .	2
24.	75-6594	Nut, stay to mudguard ( $\frac{5}{16}''$ B.S.C.) .. .. .	
25.	2-923	Washer, stay to mudguard ( $\frac{5}{16}'' \times \frac{5}{8}'' \times \frac{1}{16}''$ ) .. .. .	
26.	67-8313	Bolt, stay to mudguard ( $\frac{5}{16}''$ B.S.C. $\times \frac{1}{2}''$ ) .. .. .	
27.	97-3685	Bottom stay, front mudguard .. .. .	
28.	68-6802	Bracket, support rail .. .. .	2
29.	41-6782	Support rail .. .. .	
30.	75-6594	Nut, rail to frame ( $\frac{5}{16}''$ B.S.C.) .. .. .	2
31.	83-270	Tail lamp support .. .. .	
32.	82-8140	Rubber pad, reflector .. .. .	2



Plate 12—continued



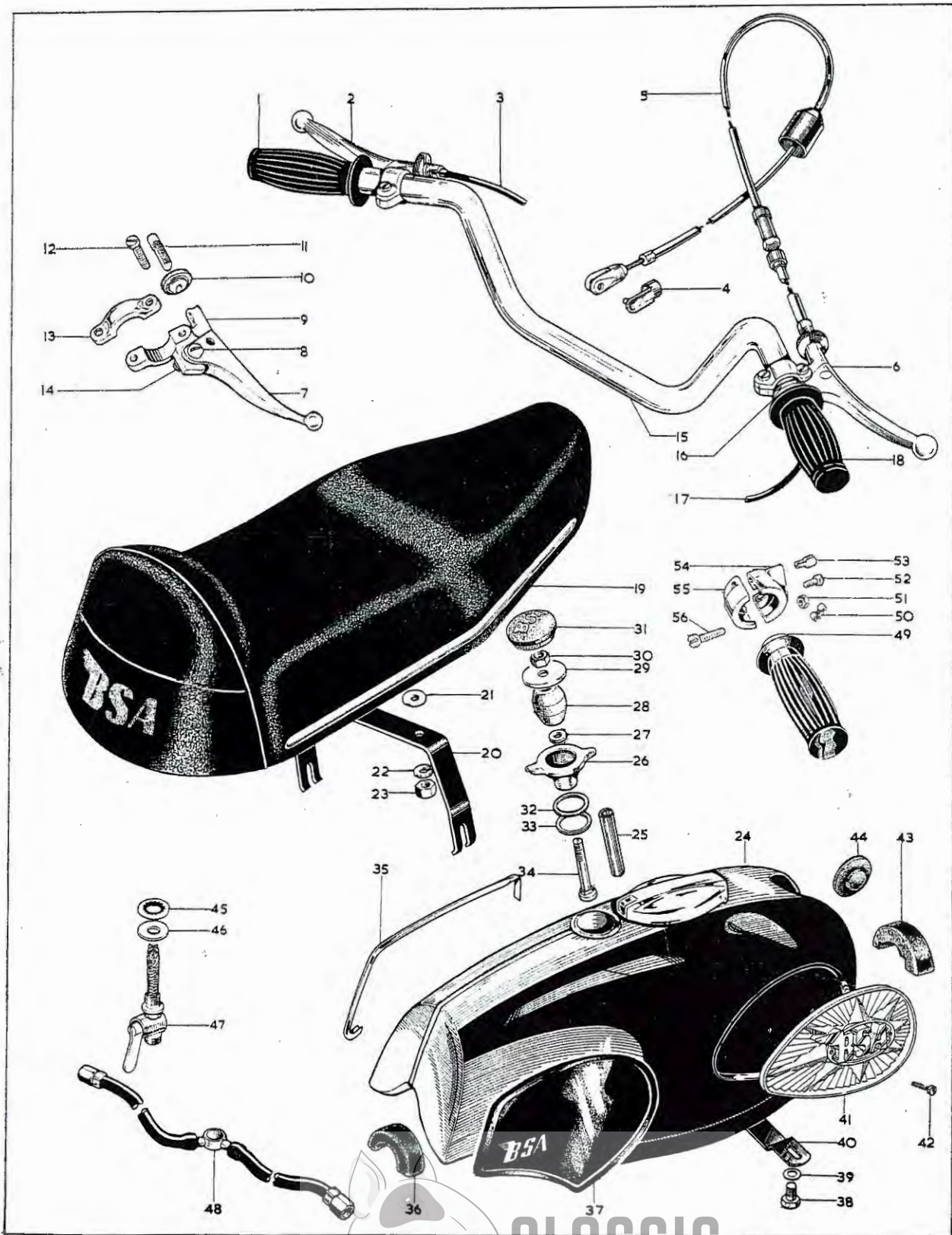
CLASSIC  
BIKE SPARES

MUDGUARDS

Plate Ref.	Spares Number	Description	Per Set
33.	19-943	Rear side reflector—red (Lucas 57111) .. .. .	2
34.	28-2338	Bolt, rear guard to top rail ( $\frac{5}{16}$ " B.S.C. $\times$ 23/32") .. .. .	2
35.	82-9988	Rear mudguard .. .. .	
35.	82-9989	Rear mudguard (U.S.A.) .. .. .	
36.	2-2395	Nut, rear guard to frame ( $\frac{1}{4}$ " B.S.C.) .. .. .	2
37.	40-6790	Washer, rear guard to frame .. .. .	2
38.	2-1462	Spring washer, rear guard to frame ( $\frac{1}{4}$ " $\times$ 19/32" $\times$ .040") .. .. .	2
39.	2-204	Bolt, rear guard to frame ( $\frac{1}{4}$ " B.S.C. $\times$ $\frac{1}{2}$ ") .. .. .	2
40.	2-923	Washer, rear guard to top rail ( $\frac{5}{16}$ " $\times$ $\frac{5}{8}$ " $\times$ $\frac{1}{16}$ ") .. .. .	2
41.	42-4476	Nut, rear guard to top rail ( $\frac{5}{16}$ " B.S.C.) .. .. .	2
42.	70-2980*	Stud, tail lamp support ( $\frac{1}{4}$ " B.S.C./W.F. $\times$ 15/16") .. .. .	
43.	54-9081	Lockwasher, tail lamp support .. .. .	
44.	42-3249	Nut, tail lamp support stud ( $\frac{1}{4}$ " B.S.C.) .. .. .	
45.	76-100	Spacer, tail lamp support .. .. .	
46.	82-8195	"Push-fix" rear reflector .. .. .	4
47.	67-6839	Wiring grommet .. .. .	2
48.	21-5161	Nut, for screw line 54 (2 B.A.) .. .. .	
49.	54-170	Washer, for screw line 54 .. .. .	
50.	40-414	Nut, number plate bracket ( $\frac{1}{4}$ " B.S.C.) .. .. .	2
51.	2-49	Nut, handrail to support rail ( $\frac{5}{16}$ " B.S.C.) .. .. .	2
52.	47-6806	Number plate bracket .. .. .	
53.	24-8784	Spring washer, handrail to support rail ( $\frac{5}{16}$ " $\times$ $\frac{5}{8}$ " $\times$ .040") .. .. .	2
54.	54-9012	Screw, tail lamp to support rail (2 B.A. $\times$ 13/32") .. .. .	3
55.	2-923	Washer, handrail to support rail ( $\frac{5}{16}$ " $\times$ $\frac{5}{8}$ " $\times$ $\frac{1}{16}$ ") .. .. .	2
56.	27-6742	Bolt, handrail to support rail ( $\frac{5}{16}$ " B.S.C. $\times$ 37/64") .. .. .	2
57.	41-9152	Handrail .. .. .	
58.	2-204	Bolt, number plate bracket ( $\frac{1}{4}$ " B.S.C. $\times$ $\frac{1}{2}$ ") .. .. .	2
59.	27-8560	Washer, number plate bracket ( $\frac{1}{4}$ " $\times$ $\frac{5}{8}$ " $\times$ .048") .. .. .	2
60.	68-6835	Tail lamp support plate .. .. .	
61.	2-923	Washer, rail to frame ( $\frac{5}{16}$ " $\times$ $\frac{5}{8}$ " $\times$ $\frac{1}{16}$ ") .. .. .	2
62.	28-2338	Bolt, rail to frame ( $\frac{5}{16}$ " B.S.C. $\times$ 23/32") .. .. .	2

\*Special material: 42.—EN8.

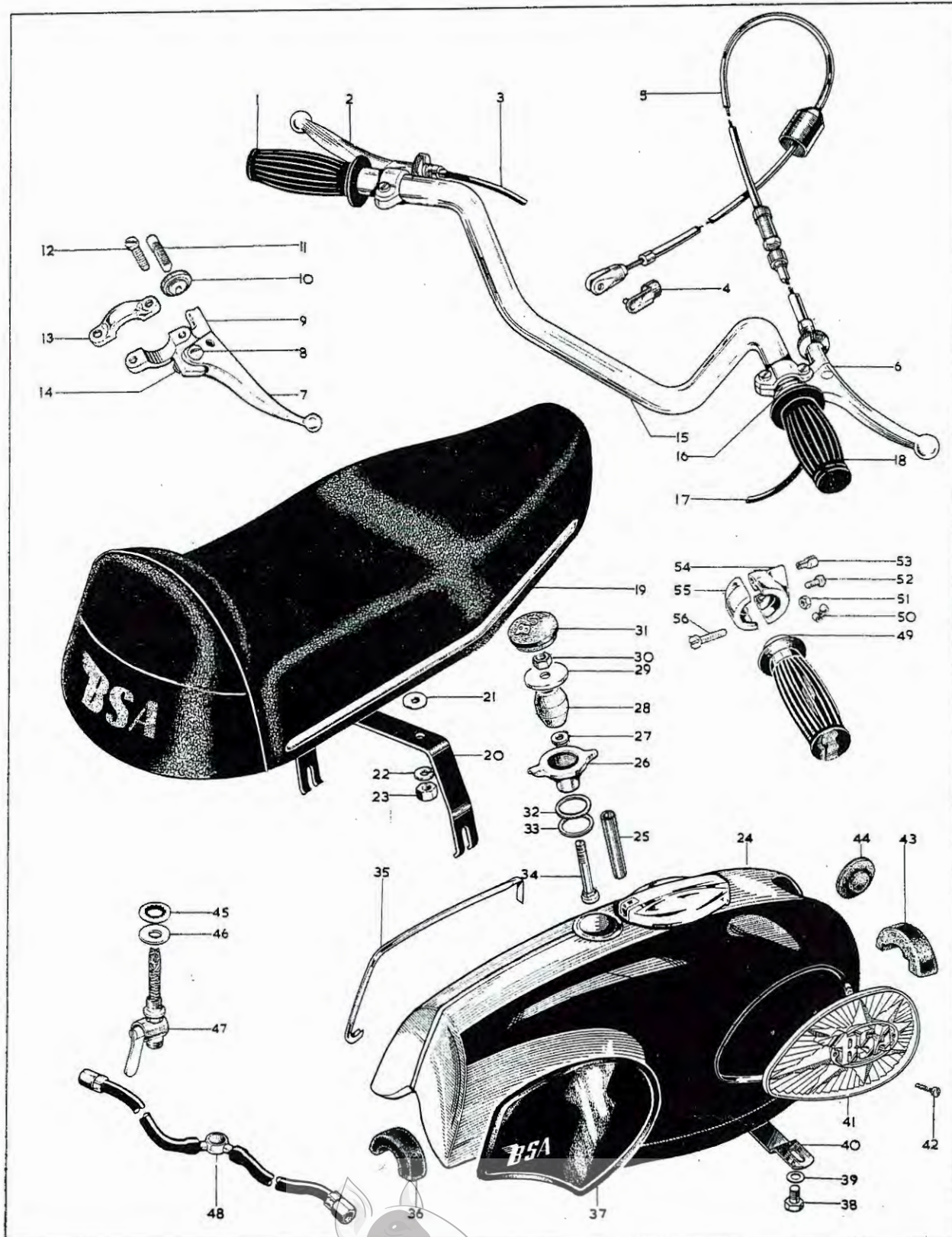




## PETROL TANK, TWINSEAT AND CONTROLS

Plate Ref.	Spares Number	Description	Per Set
	B.S.A. NO.	MAKERS NO.	
1.	19-7221	Rubber grip (left-hand)	.. .. .
2.	60-2074	18/952 Clutch control complete	.. .. .
3.	60-2082	Clutch cable (standard)	.. .. .
3.	60-2083	Clutch cable (U.S.A. Western bar)	.. .. .
4.	37-2006	Spring pin, front brake cable	.. .. .
5.	60-2053	Front brake cable (standard)	.. .. .
5.	60-2034	Front brake cable (U.S.A. Western bar)	.. .. .
6.	60-2090	18/951M Front brake control complete	.. .. .
7.		18/754 Front brake lever only	.. .. .
7.		18/752 Clutch lever only	.. .. .
8.		18/087 Fulcrum pin, brake and clutch controls	.. .. . 2
9.		18/777 Brake lever bracket	.. .. .
9.		18/773 Clutch lever bracket	.. .. .
10.		18/1709 Locknut, cable adjuster ( $\frac{3}{8}$ " UN.F.)	.. .. . 2
11.		18/1708 Cable adjuster, brake and clutch ( $\frac{3}{8}$ " UN.F.)	.. .. . 2
12.		11/014 Clamp screw, brake and clutch	.. .. . 4
13.		12/595 Clamp, brake and clutch controls	.. .. . 2
14.		18/053 Nut, fulcrum pin, brake and clutch	.. .. . 2
15.	68-4968	Handlebar (standard)	.. .. .
15.	40-4960	Handlebar (U.S.A., Western type)	.. .. .
16.	19-7223	16/364 Throttle control complete	.. .. .
17.	40-8657	Throttle control cable	.. .. .
18.	19-7222	Rubber grip (right-hand)	.. .. .
19.	82-9732	Twinseat complete	.. .. .
20.	41-9131	Rear bracket, twinseat	.. .. .
21.	27-8560	Washer, twinseat bracket ( $\frac{1}{4}$ " $\times$ $\frac{5}{8}$ " $\times$ .048")	.. .. . 2
22.	2-1462	Spring washer, twinseat bracket ( $\frac{1}{4}$ " $\times$ $\frac{19}{32}$ " $\times$ .040")	.. .. . 2
23.	2-51	Nut, bracket to seat ( $\frac{1}{4}$ " B.S.C.)	.. .. . 2
24.	82-9729	Petrol tank (standard)	.. .. .
24.	82-9609	Petrol tank (U.S.A.)	.. .. .
25.	41-8011	Distance piece, tank mounting	.. .. .
26.	82-9782	Beading holder, petrol tank	.. .. .
27.	76-12	Washer, tank mounting ( $\frac{21}{64}$ " $\times$ $\frac{9}{16}$ " $\times$ $\frac{3}{32}$ ")	.. .. .
28.	42-8017	Mounting rubber, petrol tank	.. .. .
29.	68-8016	Washer, tank mounting ( $\frac{29}{64}$ " $\times$ $\frac{29}{32}$ " $\times$ $\frac{3}{32}$ ")	.. .. .





CLASSIC  
BIKE SPARES



Plate 13—continued

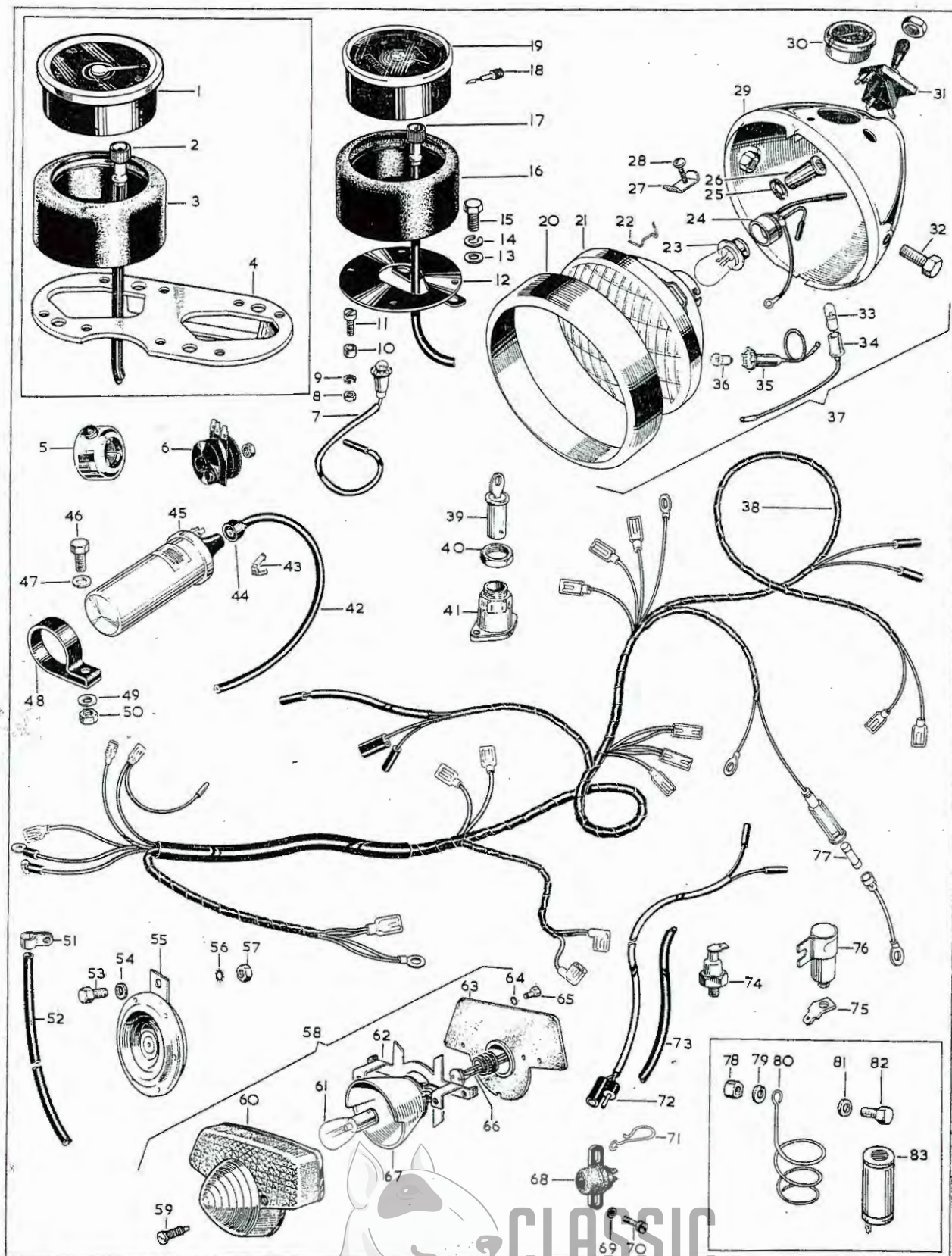
PETROL TANK, TWINSEAT AND CONTROLS

Plate Ref.	Spares Number		Description	Per Set
	B.S.A. NO.	MAKERS NO.		
30.	68-8014		Nut, tank mounting ( $\frac{5}{16}$ " B.S.C.) .. .. .	
31.	42-8010		Grommet, petrol tank .. .. .	
32.	68-8019		Mounting ring, petrol tank .. .. .	
33.	68-8013		"O" ring, tank mounting .. .. .	
34.	82-9784		Bolt, tank mounting ( $\frac{5}{16}$ " B.S.C. $\times$ $3\frac{3}{8}$ ") .. .. .	
35.	82-9721		Trim strip, petrol tank .. .. .	
36.	82-9748		Rear mounting pad, petrol tank .. .. .	
37.	82-9723		Kneegrip (right-hand) .. .. .	
37.	82-9722		Kneegrip (left-hand) .. .. .	
38.	14-113		Bolt, strap to tank ( $\frac{5}{16}$ " U.N.F. $\times$ $\frac{5}{8}$ ") .. .. .	2
39.	2-923		Washer, strap to tank ( $\frac{5}{16}$ " $\times$ $\frac{5}{8}$ " $\times$ $\frac{1}{16}$ ") .. .. .	2
40.	82-9746		Strap assembly, petrol tank .. .. .	
41.	82-9696		Tank badge, right-hand (standard) .. .. .	
41.	83-1450		Tank badge, right-hand (U.S.A.) .. .. .	
41.	82-9695		Tank badge, left-hand (standard) .. .. .	
41.	83-1451		Tank badge, left-hand (U.S.A.) .. .. .	
42.	82-8250		Screw, badge to tank ( $\frac{1}{8}$ " $\times$ 40 W.F. $\times$ $\frac{5}{8}$ ") .. .. .	4
43.	82-9747		Front mounting pad, petrol tank .. .. .	
44.	82-9730		Anti-roll pad, petrol tank .. .. .	2
45.	70-7351		"Stato" seal, petrol tap .. .. .	2
46.	83-2		Washer, petrol tap .. .. .	2
47.	82-4971		Petrol tap (short) left-hand .. .. .	
47.	82-4972		Petrol tap (long) right-hand .. .. .	
48.	<del>82-9787</del>		Petrol pipe assembly .. .. .	
49.		16/091	Rotor complete, throttle control .. .. .	
50.		16/008	Friction spring, throttle control .. .. .	
51.		16/010	Locknut, friction spring screw .. .. .	
52.		16/009	Friction spring screw, throttle control .. .. .	
53.		16/011	Cable stop, throttle control .. .. .	
54.		16/329	Body bottom half, throttle control .. .. .	
55.		16/328	Body top half, throttle control .. .. .	
56.		11/013	Screw for body, throttle control .. .. .	2
	60-2051		Petrol tank transfer, top, U.S.A. ( <i>not illustrated</i> ) .. .. .	

NOTE:—Where no B.S.A. part number is quoted, the part is only available from the makers.



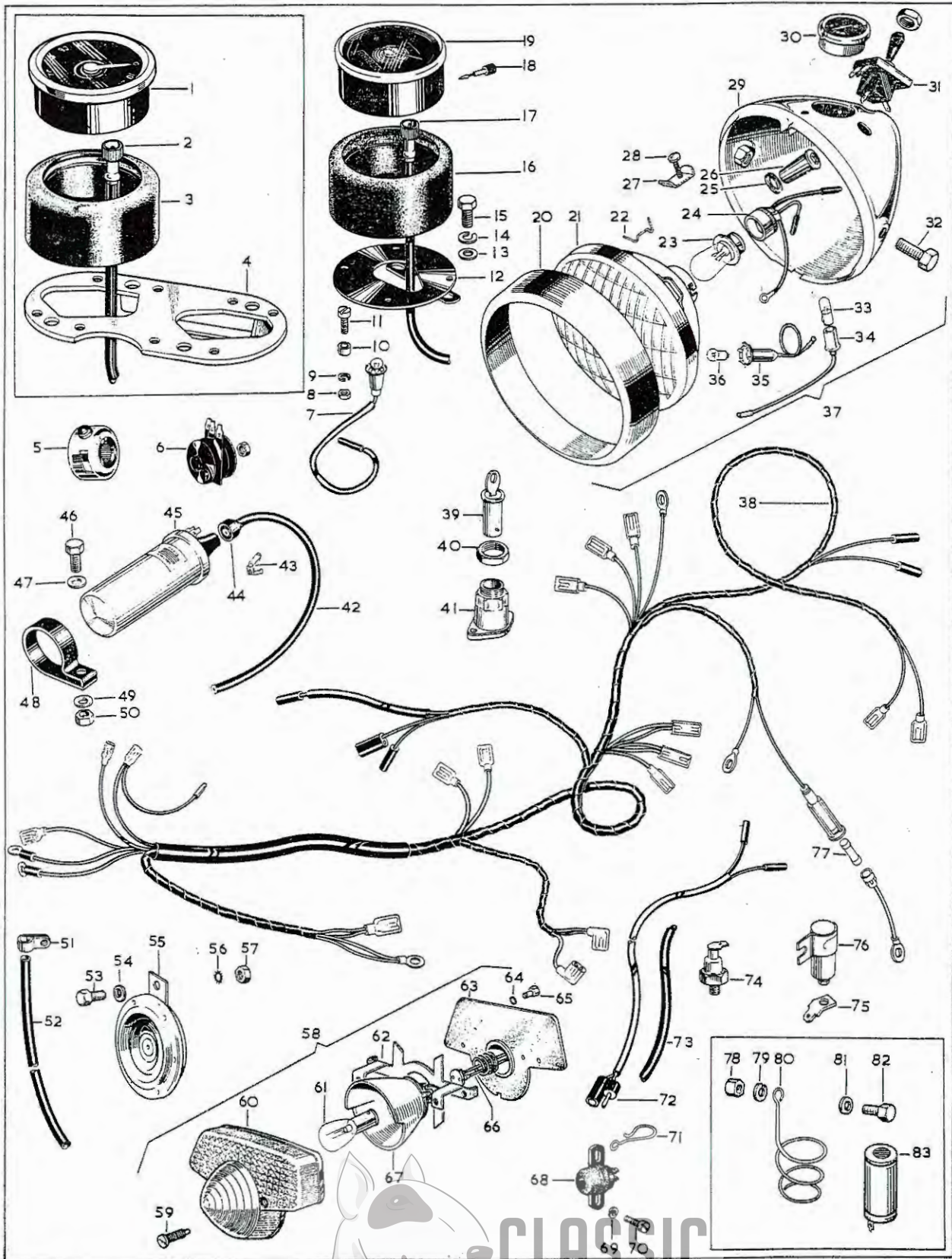
Plate 14



## ELECTRICAL EQUIPMENT

Plate Ref.	Spares Number	Description	Per Set
	B.S.A. NO.	MAKERS NO.	
1.	19-8944	RSM.3003/01	Tachometer head .. .. .
2.	19-9094		Tachometer cable .. .. .
3.	83-281		Mounting cup, tachometer head .. .. .
4.	97-3689		Mounting plate, tachometer and speedometer .. .. .
5.	19-214	Wico 16714	Dipper switch .. .. .
6.	19-1715	49072	Rectifier .. .. .
7.	19-1166	54953389	Speedometer light lead .. .. .
8.	2-47		Nut, speedometer and tachometer ( $\frac{3}{16}$ " B.S.C.) .. .. .
9.	24-7068		Spring washer, speedometer and tachometer ( $\frac{13}{64}$ " $\times$ $\frac{21}{64}$ " $\times$ $\frac{1}{16}$ " .. .. .
10.	68-9418		Spacer, speedometer and tachometer .. .. .
11.	76-543		Screw, speedometer and tachometer (2 B.A. $\times$ $\frac{3}{4}$ " .. .. .
12.	82-8283		Mounting plate, speedometer only .. .. .
13.	2-525		Washer, plate to fork ( $\frac{1}{4}$ " $\times$ $\frac{1}{2}$ " $\times$ .048") .. .. .
14.	24-978		Spring washer, plate to fork ( $\frac{1}{4}$ " $\times$ $\frac{7}{16}$ " $\times$ .040") .. .. .
15.	2-1354		Bolt, plate to fork ( $\frac{1}{4}$ " B.S.C. $\times$ $\frac{41}{64}$ " .. .. .
16.	83-281		Mounting cup, speedometer head .. .. .
17.	19-9089	DF.9110/00/63	Speedometer cable .. .. .
18.	19-9080	14-148-203-108-0	Speedometer trip shaft .. .. .
19.	19-2181	SSM.5001/03	Speedometer head (m.p.h.) .. .. .
19.	19-2183	SSM.5001/04	Speedometer head (k.p.h.) .. .. .
20.		553248	Headlamp rim .. .. .
21.	19-958	516798	Light unit (standard) .. .. .
21.	19-959	54522680	Light unit (France and Europe) .. .. .
21.	19-1043	553940	Light unit (West Germany and Italy) .. .. .
22.		504665	Wire clip, for light unit .. .. .
23.		446	Main bulb (standard) .. .. .
23.		410	Main bulb (Europe) .. .. .
23.		411	Main bulb (France) .. .. .
23.	19-1044	370	Main bulb (West Germany and Italy) .. .. .
24.		554602	Main bulb holder .. .. .
24.		553738	Adaptor, main bulb (France and Europe) .. .. .
25.		54140331	Seal washer, warning light .. .. .
26.	19-965	38189	Warning light (red) .. .. .
27.		534296	Plate, headlamp rim .. .. .
28.		144921	Screw, headlamp rim .. .. .
29.		54523999	Lamp body .. .. .
30.	19-963	36403	Ammeter .. .. .
31.	19-964	35710	Light switch .. .. .
32.		112201	Bolt, headlamp mounting .. .. .
33.		281	Bulb, warning light .. .. .
34.		54945043	Bulb holder, warning light .. .. .
35.		54573590	Bulb holder, pilot light .. .. .
36.		989	Pilot bulb .. .. .
37.	19-1173	59883	Headlamp complete (standard) .. .. .
37.	19-1184†	59885	Headlamp complete (Europe) .. .. .
37.	19-1186	59885	Headlamp complete (France)—with 411 main bulb .. .. .
38.	19-1178	54955270	Wiring harness .. .. .
39.	68-9304		Lock and key for ignition switch .. .. .
40.	19-1247	54130041	Nut, ignition switch .. .. .
41.	19-1775	31899	Ignition switch .. .. .





## ELECTRICAL EQUIPMENT

Plate Ref.	Spares Number		Description	Per Set
	B.S.A. NO.	MAKERS NO.		
42.	19-1878	54949493	High-tension lead (standard)	.. .. .
42.	19-1879	842185	High-tension lead (U.S.A.)	.. .. .
43.	19-866	421863	Clip for high-tension lead (U.S.A.)	.. .. .
44.	75-9607	421554	Grommet for high-tension lead (U.S.A.)	.. .. .
45.	19-1854	45110	Ignition coil	.. .. .
46.	2-14		Bolt, coil clip ( $\frac{1}{4}$ " B.S.C. $\times$ 1-1/32")	.. .. .
47.	27-8560		Washer, coil clip ( $\frac{1}{4}$ " $\times$ $\frac{5}{8}$ " $\times$ .048")	.. .. .
48.	68-4093		Coil clip	.. .. .
49.	75-9102		Spacer, coil clip	.. .. .
50.	40-414		Nut, coil clip ( $\frac{1}{4}$ " B.S.C.)	.. .. .
51.	66-8340		Clip, battery vent pipe	.. .. .
52.	68-9163		Battery vent pipe	.. .. .
53.	75-4813*		Bolt, horn to bracket ( $\frac{3}{8}$ " B.S.C. $\times$ 13/16")	.. .. .
54.	2-2138		Washer, horn to bracket ( $\frac{3}{8}$ " $\times$ $\frac{3}{4}$ " $\times$ $\frac{1}{16}$ " )	.. .. .
55.	19-2064		Horn (Clearhooter)	.. .. .
56.	66-4707		Lockwasher, horn to bracket	.. .. .
57.	42-4475		Nut, horn to bracket ( $\frac{3}{8}$ " B.S.C.)	.. .. .
58.	19-1245	53973	Stop/tail lamp complete	.. .. .
59.		144921	Screw, lens fixing	.. .. .
60.		54577109	Lens, tail lamp	.. .. .
61.		380	Bulb, tail lamp	.. .. .
62.		54578212	Base, tail lamp	.. .. .
63.		54571677	Gasket, tail lamp	.. .. .
64.		188330	Lockwasher, tail lamp	.. .. .
65.		110714	Screw, tail lamp	.. .. .
66.		573828	Interior bulb holder, tail lamp	.. .. .
67.		54578213	Bulb holder assembly	.. .. .
68.	19-916	34815	Stop switch, tail lamp	.. .. .
69.	2-1096		Washer for switch screw ( $\frac{3}{16}$ " $\times$ $\frac{3}{8}$ " $\times$ .044")	.. .. .
70.	42-4574		Screw, stop lamp switch ( $\frac{3}{16}$ " B.S.C. $\times$ $\frac{1}{2}$ " )	.. .. .
71.	47-9030		Cable clip, stop switch leads	.. .. .
72.	82-8314	54953386	Tail lamp lead	.. .. .
73.	82-8307		Tail lamp lead tube	.. .. .
74.	19-1735	49345	Zener diode	.. .. .
75.	47-9170	54190096	"Lucar" blade, condenser	.. .. .
76.	19-1747	54441582	Condenser, contact breaker	.. .. .
77.	19-1249	188218	Fuse (12 volt, 35 amp.)	.. .. .
78.	2-2395		Nut, capacitor mounting ( $\frac{1}{4}$ " B.S.C.)	.. .. .
79.	2-1462		Spring washer, capacitor mounting ( $\frac{1}{4}$ " $\times$ 19/32" $\times$ .040")	.. .. .
80.	82-8320	54483156	Spring, capacitor mounting	.. .. .
81.	2-525		Washer, capacitor mounting ( $\frac{1}{4}$ " $\times$ $\frac{1}{2}$ " $\times$ .048")	.. .. .
82.	2-1354		Bolt, capacitor mounting ( $\frac{1}{4}$ " B.S.C. $\times$ 41/64")	.. .. .
83.	82-8319	54170009	Capacitor	.. .. .
	19-1776	54027029	Battery	.. .. .
	00-5195		Tachometer kit	.. .. .
	00-4403		Capacitor kit	.. .. .

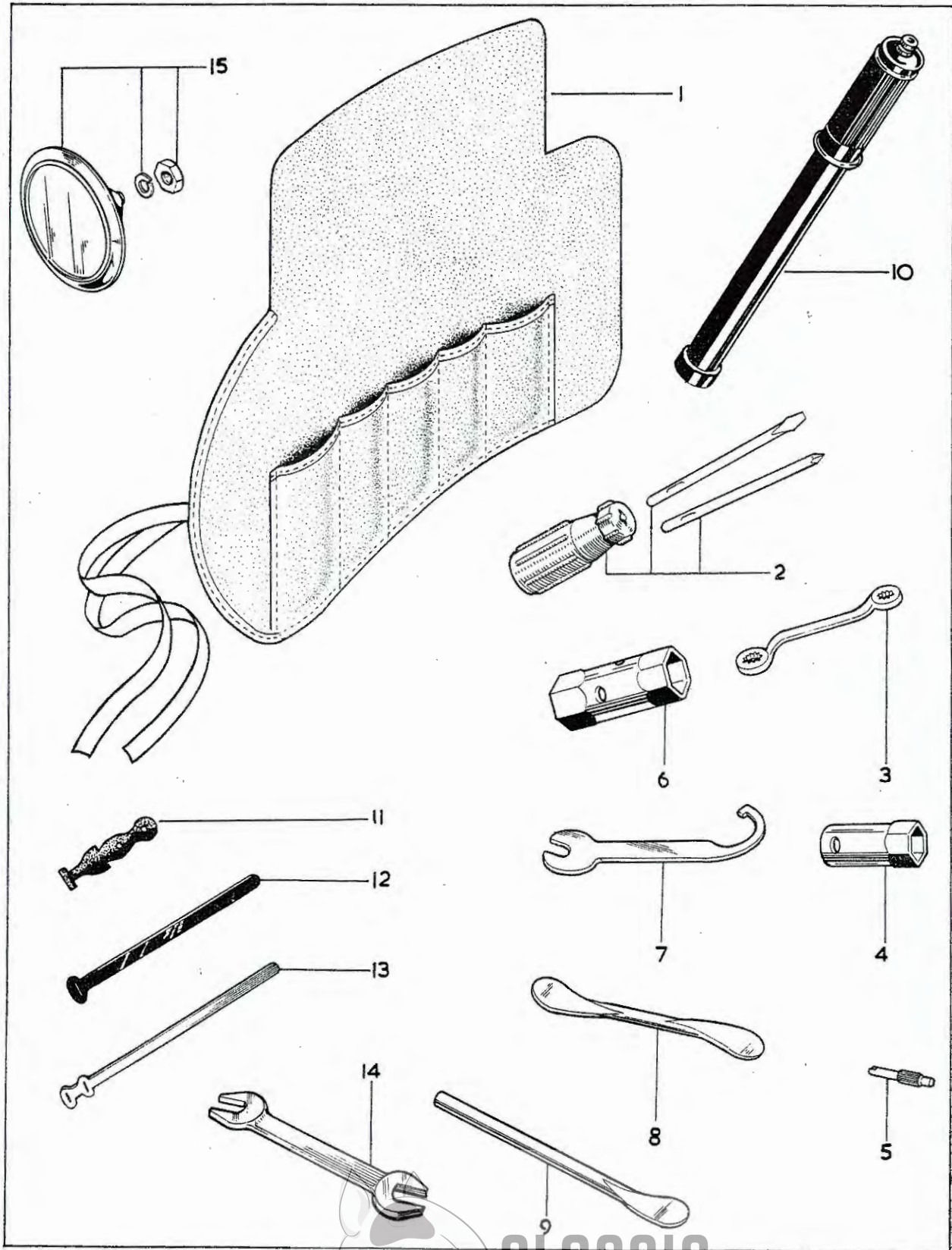
\*Special material: 53.—EN8R.

†Except West Germany and Italy

NOTE:—Where no B.S.A. part number is quoted, the part is only available from the makers.



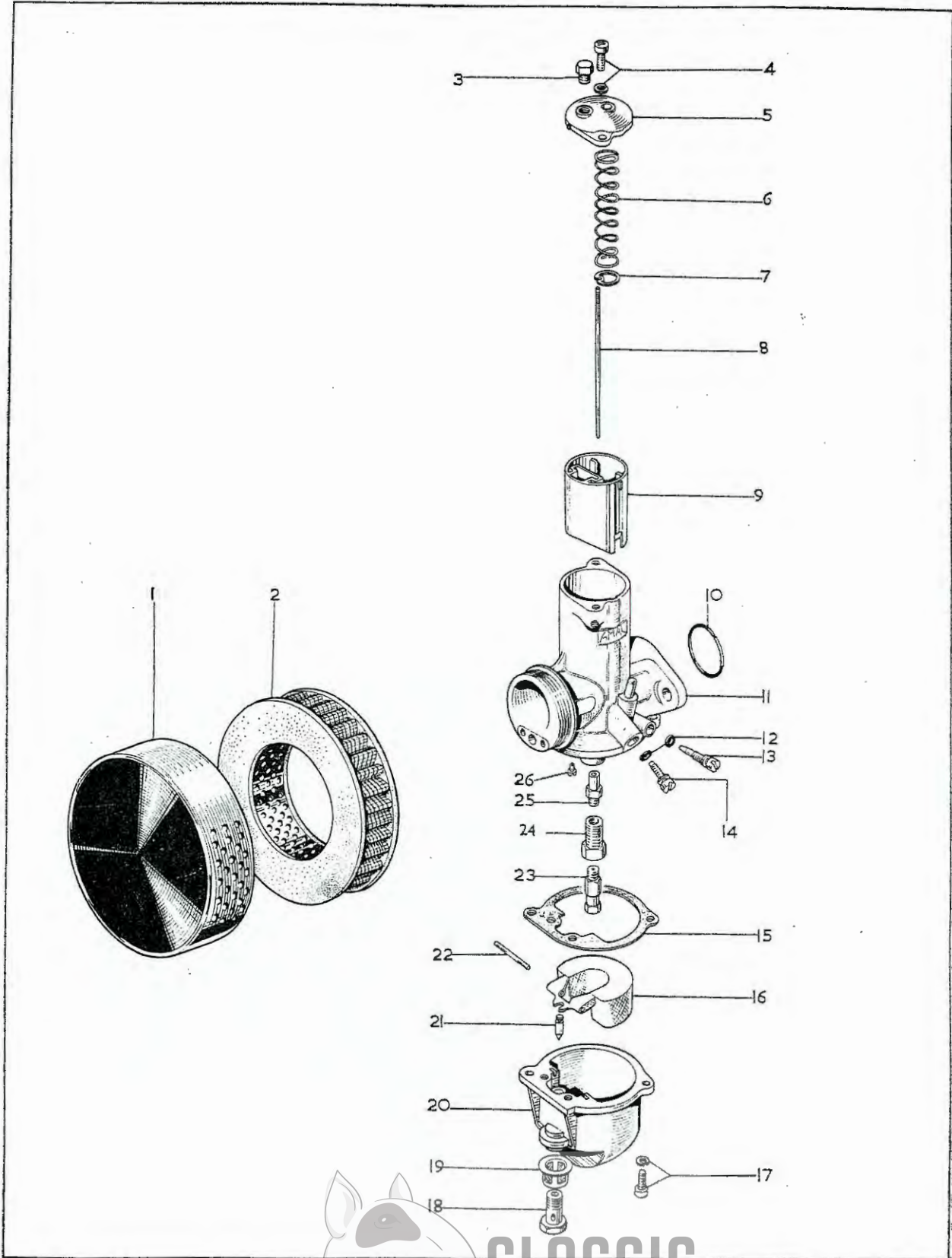
Plate 15



## TOOLS

<i>Plate Ref.</i>	<i>Spares Number</i>	<i>Description</i>	<i>Per Set</i>
1.	68-9461	Tool roll .. .. .	
2.	60-767	Screwdriver set .. .. .	
3.	67-9026	Ring Spanner .. .. .	
4.	68-9464	Plug spanner .. .. .	
5.	68-9467	Tyre valve key .. .. .	
6.	40-9017	Box Spanner .. .. .	
7.	68-9462	Damper unit "C" spanner .. .. .	
8.	29-9252	Tyre lever .. .. .	
9.	60-801	Tyre lever/tommy bar .. .. .	
10.	90-9237	Tyre inflator .. .. .	
11.	90-9024	Cable clip (short) .. .. .	2
12.	75-9045	Cable clip (alloy) .. .. .	3
13.	76-9136	Cable clip (alloy) .. .. .	5
14.	60-2084	Double open-ended spanner .. .. .	
15.	42-9273	Licence holder .. .. .	
	60-2113	Toolkit complete .. .. .	







## CARBURETTER

Plate Ref.	Spares Number		Description	Per Set
1.	B.S.A. NO. 60-1053	AMAL NO.	Air cleaner complete (two-layer) .. .. .	
2.	19-7115		Air cleaner element (two-layer) .. .. .	
3.		4/137A	Plug screw for top cap .. .. .	
4.	19-3093	622/086	Screw and washer for top cap .. .. .	2
5.		928/097	Top cap, mixing chamber .. .. .	
6.	19-3094	622/061	Spring, throttle valve .. .. .	
7.	19-3095	622/067	Clip, throttle needle .. .. .	
8.	19-3107	928/063	Throttle needle .. .. .	
9.	19-3108	928/060	Throttle valve (3) .. .. .	
10.	19-3090	622/101	"O" ring, carburetter flange .. .. .	
11.		R.928	Carburetter body .. .. .	
12.	19-3098	622/082	"O" ring, pilot air and throttle stop screws .. .. .	2
13.		622/076	Pilot air screw .. .. .	
14.		622/077	Throttle stop screw .. .. .	
15.	19-3106	622/073	Gasket, float chamber .. .. .	
16.	19-3102	622/069	Float .. .. .	
17.	19-3093	622/086	Screw and washer for float chamber .. .. .	2
18.	19-3103	622/078	Banjo bolt, petrol pipe to carburetter .. .. .	
19.	19-3048	376/093	Filter, petrol pipe .. .. .	
20.		622/050	Float chamber .. .. .	
21.	19-3105	622/068	Float needle .. .. .	
22.		622/071	Float spindle .. .. .	
23.	19-2878	376/100	Main jet (180 c.c.) .. .. .	
24.		622/128	Jet holder .. .. .	
25.	19-3130	622/079	Needle jet (.106) .. .. .	
26.	19-3100	124/026	Pilot jet (25 c.c.) .. .. .	
	19-2416	R.928/5	Carburetter complete .. .. .	

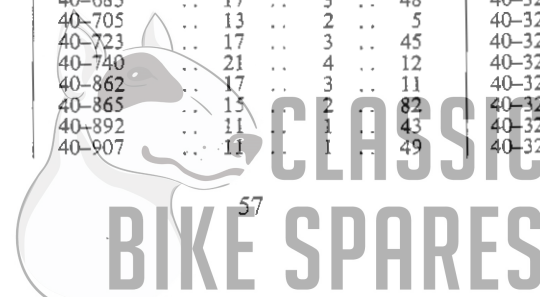
NOTE:—Where no B.S.A. part number is quoted, the part is only available from the makers.





NUMERICAL INDEX—continued

NUMBER	PAGE	PLATE	CODE	NUMBER	PAGE	PLATE	CODE	NUMBER	PAGE	PLATE	CODE
21-650	37	10	15	36-382	25	5	35	40-913	11	1	51
21-761	29	7	41	36-382	35	9	49	40-915	9	1	36
21-771	29	7	45	36-382	15	2	66	40-917	11	1	49
21-785	35	9	55	37-1373	37	10	37	40-918	11	1	49
21-1822	33	9	27	37-1481	37	10	2	40-919	11	1	49
21-1837	29	7	41	37-2001	37	10	9	40-929	11	1	59
21-1855	21	4	11	37-2005	37	10	23	40-931	11	1	67
21-1857	15	2	63	37-2006	45	13	4	40-932	9	1	11
21-1872	13	2	20	37-2026	37	10	12	40-933	11	1	58
21-1889	15	2	88	37-2026	37	10	30	40-939	11	1	75
21-1890	15	2	73	37-2027	37	10	19	40-942	11	1	77
21-1891	15	2	64	37-2027	37	10	27	40-946	25	5	34
21-1892	15	2	85	37-2057	37	10	5	40-958	13	2	32
21-1893	13	2	46	37-2058	37	10	22	40-965	9	1	18
21-1894	15	2	93	37-2130	37	10	13	40-966	9	1	19
21-1895	13	2	6	37-2133	37	10	38	40-967	9	1	17
21-1896	15	2	92	37-2134	37	10	35	40-968	11	1	72
21-1898	17	3	25	37-2135	37	10	36	40-969	11	1	73
21-1908	29	7	26	37-2136	37	10	33	40-970	6	—	—
21-1934	23	5	25	37-2226	39	11	10	40-970	9	1	33
21-1943	21	4	22	37-3337	37	10	6	40-972	6	—	—
21-1951	21	4	9	37-3443	37	10	3	40-974	6	—	—
21-1972	13	2	26	37-3444	37	10	16	40-977	17	3	12
21-5102	41	12	10	37-3446	37	10	10	40-978	9	1	34
21-5161	43	12	48	37-3446	37	10	10	40-979	9	1	35
				37-3450	37	10	28	40-993	11	1	62
24-36	13	2	16	37-3453	37	10	18	40-1005	21	4	6
24-649	29	7	37	37-3454	37	10	29	40-1007	11	1	69
24-732	9	1	40	37-3455	37	—	—	40-1009	11	1	68
24-732	11	1	46	37-3463	5	—	—	40-1010	13	2	11
24-978	49	14	14	37-3463	37	—	—	40-1015	13	2	41
24-978	29	7	39	37-3466	5	—	—	40-1016	13	2	43
24-5160	9	1	22	37-3466	37	10	4	40-1018	11	1	66
24-6040	9	1	4	37-3522	37	10	17	40-1019	11	1	70
24-7000	39	11	26					40-1021	13	2	11
24-7068	49	14	9	40-20	9	1	24	40-1030	11	1	45
24-7178	41	12	5	40-25	13	2	8	40-1031	9	1	41
24-8784	39	11	19	40-28	17	2	15	40-1033	15	2	87
24-8784	29	7	28	40-64	9	1	39	40-1035	15	2	67
24-8784	43	12	53	40-65	9	1	39	40-1037	11	1	54
				40-66	9	1	39	40-2710	9	1	26
27-5135	35	9	54	40-69	9	1	39	40-2711	9	1	28
27-5676	31	8	15	40-118	13	2	33	40-2712	9	1	27
27-6037	41	12	19	40-127	11	1	78	40-2844	29	7	35
27-6742	43	12	56	40-157	9	1	13	40-3007	19	3	96
27-6810	39	11	40	40-158	9	1	15	40-3019	19	3	93
27-8560	41	12	8	40-209	9	1	6	40-3020	19	3	91
27-8560	45	13	21	40-210	13	2	7	40-3032	19	3	100
27-8560	51	14	47	40-222	17	3	14	40-3033	19	3	99
27-8560	43	12	59	40-236	17	3	61	40-3042	19	3	111
				40-241	15	2	75	40-3043	19	3	112
28-2080	39	11	6	40-242	13	2	23	40-3044	19	3	109
28-2080	31	8	36	40-243	15	2	74	40-3045	19	3	110
28-2338	43	12	34	40-246	15	2	76	40-3051	17	3	2
28-2338	43	12	62	40-325	15	2	91	40-3059	17	3	8
				40-326	15	2	91	40-3061	17	3	5
29-541	41	12	9	40-327	15	2	91	40-3073	17	3	55
29-541	13	2	38	40-375	15	2	70	40-3084	19	3	69
29-541	31	8	38	40-381	17	3	21	40-3085	19	3	70
29-2053	13	2	1	40-387	13	2	28	40-3119	19	3	93
29-2054	13	2	2	40-394	13	2	22	40-3120	19	3	93
29-2089	11	1	64	40-414	23	5	5	40-3121	17	3	3
29-3319	17	3	53	40-414	23	5	10	40-3126	19	3	91
29-3857	19	3	89	40-414	27	6	11	40-3127	19	3	91
29-5293	31	8	10	40-414	13	2	37	40-3150	21	4	31
29-5293	31	8	27	40-414	43	12	50	40-3155	19	3	107
29-7962	29	7	44	40-414	51	14	50	40-3193	19	3	108
29-7971	29	7	16	40-455	13	2	35	40-3194	19	3	106
29-7971	29	7	18	40-679	17	3	18	40-3201	21	4	30
29-9252	53	15	8	40-682	17	3	47	40-3206	21	4	28
29-9388	35	9	48	40-683	17	3	48	40-3207	21	4	33
				40-705	13	2	5	40-3210	21	4	36
30-196	31	8	33	40-723	17	3	45	40-3218	21	4	21
30-733	25	5	51	40-740	21	4	12	40-3219	21	4	24
30-733	25	5	53	40-862	17	3	11	40-3220	21	4	14
30-733	25	5	61	40-865	15	2	82	40-3221	21	4	17
				40-892	11	1	43	40-3222	21	4	13
35-6436	39	11	24	40-907	11	1	49	40-3227	21	4	18



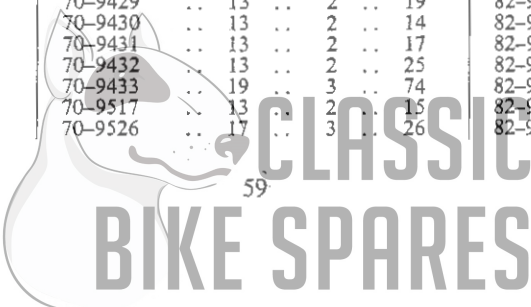
CLASSIC BIKE SPARES

NUMERICAL INDEX—continued

NUMBER	PAGE	PLATE	CODE	NUMBER	PAGE	PLATE	CODE	NUMBER	PAGE	PLATE	CODE
40-3230	21	4	20	41-606	13	2	42	42-6012	39	11	42
40-3231	21	4	23	41-608	13	2	40	42-6019	39	11	17
40-3233	21	4	15	41-609	13	2	49	42-6045	39	11	5
40-3234	21	4	16	41-620	15	2	58	42-6335	37	10	8
40-3254	19	3	97	41-624	15	2	56	42-6554	17	3	57
40-3257	17	3	30	41-673	11	1	47	42-6558	41	12	2
40-3258	19	3	79	41-706	15	2	53	42-8010	47	13	31
40-3262	19	3	80	41-715	17	3	13	42-8017	45	13	28
40-3265	19	3	114	41-801	5	—	—	42-9273	53	15	15
40-3271	17	3	33	41-801	15	—	—				
40-3272	17	3	32	41-803	13	2	45	47-3213	5	—	—
40-3273	17	3	31	41-804	13	2	44	47-3213	21	—	—
40-3275	19	3	76	41-3045	19	3	115	47-3214	21	4	32
40-3276	17	3	39	41-3054	19	3	88	47-4214	23	5	19
40-3277	17	3	40	41-3063	19	3	94	47-5064	35	9	58
40-3279	17	3	34	41-3068	19	3	84	47-5065	35	9	57
40-3282	17	3	28	41-3070	19	3	87	47-6806	43	12	52
40-3283	17	3	42	41-3072	19	3	85	47-7003	31	8	45
40-3291	19	3	101	41-3074	19	3	85	47-7013	31	8	40
40-3292	19	3	78	41-3078	19	3	83	47-9012	23	5	20
40-3292	19	3	86	41-3089	19	3	95	47-9030	51	14	71
40-3321	17	3	7	41-3095	17	3	4	47-9170	51	14	75
40-3323	19	3	105	41-3209	21	4	35				
40-3330	21	4	37	41-3210	21	4	34	53-3049	19	3	103
40-4077	23	5	32	41-3213	21	4	26				
40-4081	23	5	31	41-4105	31	8	7	54-42	35	9	32
40-4241	27	6	8	41-4105	27	6	17	54-55	41	12	22
40-4524	25	5	50	41-4105	31	8	19	54-170	43	12	49
40-4524	25	5	58	41-4835	31	8	29	54-5502	33	9	26
40-4530	25	5	60	41-6016	39	11	37	54-8003	33	9	10
40-4733	27	6	22	41-6016	39	11	46	54-8003	29	7	25
40-4734	27	6	21	41-6019	39	11	50	54-9012	43	12	54
40-4735	27	6	20	41-6021	39	11	49	54-9081	43	12	43
40-4752	27	6	19	41-6022	5	—	—				
40-4810	31	8	1	41-6022	39	11	23	57-948	15	2	86
40-4818	31	8	4	41-6032	39	11	35	57-2166	21	4	1
40-4820	31	8	28	41-6082	39	11	54	57-2641	19	3	65
40-4853	31	8	18	41-6090	39	11	12	57-2642	19	3	75
40-4855	31	8	5	41-6091	39	11	13	57-2643	19	3	77
40-4960	45	13	15	41-6093	39	11	7	57-2646	19	3	67
40-5018	35	9	51	41-6094	39	11	27	57-2750	17	3	41
40-5069	35	9	33	41-6098	39	11	53	57-2759	19	3	66
40-5090	35	9	56	41-6782	41	12	29	57-2764	19	3	68
40-5143	35	9	40	41-7007	31	8	43	57-3763	17	3	6
40-5144	35	9	42	41-7037	31	8	30	57-3764	17	3	38
40-5145	35	9	39	41-8011	45	13	25	57-3850	19	3	102
40-6030	31	8	31	41-9131	45	13	20	57-3854	19	3	113
40-6033	39	11	29	41-9152	43	12	57	57-3872	19	3	90
40-6040	39	11	30					57-3874	19	3	81
40-6078	5	—	—	42-3249	29	7	4	57-3876	19	3	92
40-6078	39	—	—	42-3249	41	12	15	57-3877	19	3	82
40-6080	39	11	44	42-3249	43	12	44				
40-6790	43	12	37	42-4343	23	5	24	60-767	53	15	2
40-6910	27	6	1	42-4364	23	5	23	60-801	53	15	9
40-8046	23	5	1	42-4475	23	5	33	60-1053	55	16	1
40-8046	23	5	6	42-4475	25	5	39	60-2034	45	13	5
40-8382	29	7	11	42-4475	25	5	46	60-2051	47	—	—
40-8401	29	7	46	42-4475	25	5	52	60-2053	45	13	5
40-8435	29	7	6	42-4475	51	14	57	60-2074	45	13	2
40-8436	29	7	5	42-4476	31	8	13	60-2082	45	13	3
40-8657	45	13	17	42-4476	31	8	24	60-2083	45	13	3
40-9017	53	15	6	42-4476	39	11	32	60-2084	53	15	14
40-9134	35	9	46	42-4476	43	12	41	60-2090	45	13	6
40-9172	23	5	4	42-4476	11	1	53	60-2113	53	—	—
40-9185	29	7	20	42-4476	25	5	56	60-2683	37	10	21
40-9187	23	5	7	42-4574	51	14	70	60-2683	31	8	35
40-9188	23	5	13	42-4926	31	8	11	60-2722	23	5	14
40-9188	29	7	50	42-5819	37	10	1	60-2724	19	3	104
40-9190	15	2	80	42-5819	37	10	7				
				42-5820	37	10	39	62-263	11	1	63
41-143	15	2	94	42-5821	37	10	40				
41-146	15	2	95	42-5836	37	10	25	64-6016	35	9	37
41-560	9	1	37	42-5840	37	10	32				
41-567	15	2	55	42-5841	37	10	11	65-1232	11	1	56
41-569	13	2	34	42-5860	37	10	34	65-2593	17	3	27
41-603	13	2	39	42-5861	37	10	34	65-4917	31	8	9
41-604	15	2	52	42-5864	13	2	36	65-4917	31	8	28
41-605	13	2	51	42-6011	39	11	41	65-5111	39	11	25

NUMERICAL INDEX—continued

NUMBER	PAGE	PLATE	CODE	NUMBER	PAGE	PLATE	CODE	NUMBER	PAGE	PLATE	CODE
65-5332	33	9	5	68-8382	29	7	15	70-9547	9	1	38
65-5333	35	9	36	68-8383	29	7	14	70-9652	29	7	38
65-5883	39	11	11	68-9115	23	5	12	70-9683	29	7	38
65-5884	39	11	38	68-9115	29	7	49	70-9724	9	1	25
65-5886	39	11	48	68-9163	51	14	52	70-9800	21	4	1
65-5887	39	11	47	68-9223	29	7	2	70-9817	29	7	40
65-5904	39	11	22	68-9226	29	7	3	70-9818	29	7	43
65-5940	39	11	8	68-9227	29	7	3	70-9848	5	—	—
65-6274	31	8	48	68-9287	29	7	2	70-9906	11	1	48
65-8326	25	5	62	68-9304	49	14	39	70-9907	11	1	42
				68-9337	23	5	11				
66-102	9	1	3	68-9337	29	7	47	75-257	17	3	10
66-3074	21	4	10	68-9418	49	14	10	75-2719	29	7	22
66-3074	17	3	37	68-9428	35	9	59	75-2719	29	7	24
66-3074	15	2	59	68-9429	35	9	50	75-3144	35	9	61
66-3074	11	1	76	68-9461	53	15	1	75-4813	25	5	37
66-4149	25	5	47	68-9462	53	15	7	75-4813	51	14	43
66-4707	25	5	44	68-9464	53	15	4	75-4813	25	5	53
66-4707	51	14	56	68-9467	53	15	5	75-5088	33	9	17
66-4708	39	11	3	68-9574	39	11	43	75-5099	33	9	14
66-7518	15	2	71					75-5104	33	9	20
66-8340	51	14	51	70-2980	43	12	42	75-5105	33	9	18
				70-3789	15	2	77	75-5199	33	9	16
67-42	29	7	8	70-5874	29	7	23	75-6594	41	12	18
67-1171	27	6	14	70-6026	19	3	116	75-6594	41	12	20
67-1236	15	2	81	70-6838	6	—	—	75-6594	41	12	24
67-1288	15	2	57	70-6838	9	1	31	75-6594	41	12	30
67-1391	13	2	50	70-6839	6	—	—	75-9045	53	15	12
67-1498	13	2	27	70-6839	9	1	32	75-9102	51	14	49
67-6027	39	11	45	70-7351	47	13	45	75-9607	51	14	44
67-6033	39	11	33	70-7354	17	3	54				
67-6034	39	11	34	70-7728	9	1	29	76-12	9	1	23
67-6038	39	11	15	70-7739	13	2	30	76-12	45	13	27
67-6051	39	11	39	70-7777	9	1	12	76-100	43	12	45
67-6839	43	12	47	70-7787	9	1	16	76-101	29	7	42
67-8313	41	12	26	70-7790	9	1	20	76-271	17	3	29
67-9026	53	15	3	70-7791	9	1	14	76-308	11	1	65
				70-7820	11	1	55	76-378	11	1	61
68-18	11	1	57	70-7831	17	3	50	76-528	17	3	35
68-158	11	1	71	70-7856	21	4	29	76-543	49	14	11
68-289	17	3	9	70-7858	11	1	74	76-4116	21	4	3
68-331	17	3	49	70-7882	17	3	51	76-9136	53	15	13
68-383	15	2	72	70-7911	9	1	8	76-9325	35	9	52
68-582	11	1	44	70-7996	9	1	21				
68-661	11	1	60	70-8259	15	2	68	82-2351	37	10	14
68-839	21	4	4	70-276	6	—	—	82-4971	47	13	47
68-840	21	4	5	70-276	9	1	30	82-4972	47	13	47
68-938	13	2	48	70-277	6	—	—	82-8140	41	12	32
68-3168	15	2	61	70-278	6	—	—	82-8195	43	12	46
68-4081	31	8	14	70-8315	13	2	31	82-8250	47	13	42
68-4093	51	14	48	70-8373	17	3	52	82-8283	49	14	12
68-4577	25	5	49	70-8782	21	4	25	82-8285	25	5	55
68-4597	25	5	59	70-8836	11	1	50	82-8307	51	14	73
68-4708	23	5	21	70-8896	13	2	21	82-8314	51	14	72
68-4835	31	8	26	70-9017	6	—	—	82-8319	51	14	83
68-4925	23	5	30	70-9018	6	—	—	82-8320	51	14	80
68-4968	45	13	15	70-9021	6	—	—	82-8392	41	12	16
68-5056	35	9	34	70-9022	6	—	—	82-8393	41	12	13
68-5104	33	9	2	70-9263	11	1	52	82-8448	31	8	6
68-5108	33	9	1	70-9372	5	—	—	82-8448	31	8	8
68-5137	35	9	53	70-9372	15	2	83	82-8507	31	8	28
68-6066	39	11	1	70-9381	13	2	13	82-8686	23	5	22
68-6081	39	11	36	70-9382	13	2	12	82-8874	29	7	17
68-6095	39	11	18	70-9383	13	2	18	82-8933	27	6	6
68-6133	39	11	20	70-9384	13	2	24	82-8950	29	7	48
68-6134	39	11	28	70-9388	17	3	16	82-8953	29	7	13
68-6135	39	11	21	70-9412	9	1	25	82-9008	25	5	57
68-6142	39	11	51	70-9415	29	7	43	82-9124	23	5	17
68-6802	41	12	28	70-9422	5	—	—	82-9125	23	5	18
68-6835	43	12	60	70-9427	21	4	8	82-9210	27	6	7
68-8013	47	13	33	70-9428	13	2	12	82-9213	5	—	—
68-8014	47	13	30	70-9429	13	2	19	82-9213	25	5	41
68-8016	45	13	29	70-9430	13	2	14	82-9602	31	8	12
68-8019	47	13	32	70-9431	13	2	17	82-9603	31	8	25
68-8343	29	7	9	70-9432	13	2	25	82-9608	31	8	12
68-8343	29	7	10	70-9433	19	3	74	82-9609	45	13	24
68-8368	29	7	7	70-9517	13	2	15	82-9695	47	13	41
68-8382	29	7	12	70-9526	17	3	26	82-9696	47	13	41



CLASSIC  
BIKE SPARES

NUMERICAL INDEX—continued

NUMBER	PAGE	PLATE	CODE
82-9721	47	13	35
82-9722	47	13	37
82-9723	47	13	37
82-9729	45	13	24
82-9730	47	13	44
82-9732	45	13	19
82-9746	47	13	40
82-9747	47	13	43
82-9748	47	13	36
82-9782	45	13	26
82-9784	47	13	34
82-9787	47	13	48
82-9943	31	8	29
82-9944	29	7	30
82-9950	27	6	9
82-9958	31	8	46
82-9988	43	12	35
82-9989	43	12	35
82-9991	41	12	11
83-2	47	13	46
83-270	41	12	31
83-281	49	14	3
83-281	49	14	16
83-1450	47	13	41
83-1451	47	13	41
83-1452	29	7	1
83-1454	29	7	19
83-1458	29	7	1
83-1459	29	7	19
83-1460	31	8	37
83-1513	25	5	40
89-3208	17	3	56
89-5036	33	9	7
90-11	17	3	36
90-241	13	2	29
90-4294	25	5	54
90-5268	17	3	22
90-6074	17	3	1
90-6576	41	12	1
90-6579	41	12	12
90-6580	41	12	12
90-7029	31	8	47
90-9024	53	15	11
90-9237	53	15	10
97-519	33	9	31
97-1656	33	9	13
97-2090	33	9	24
97-2091	33	9	22
97-2126	33	9	29
97-2127	33	9	23
97-2154	33	9	21
97-2245	33	9	4
97-2294	33	9	9
97-2295	33	9	28

NUMBER	PAGE	PLATE	CODE
97-2513	33	9	6
97-2525	35	9	38
97-2526	35	9	43
97-2704	17	3	20
97-2704	35	9	41
97-2704	19	3	71
97-3637	33	9	8
97-3638	33	9	12
97-3639	33	9	15
97-3669	33	9	25
97-3671	5	—	—
97-3671	35	—	—
97-3672	33	9	19
97-3680	33	9	25
97-3685	41	12	27
97-3689	49	14	4
97-3693	33	9	3
97-3694	33	9	3
97-5095	33	9	30
281	49	14	33
380	51	14	61
410	49	14	23
411	49	14	23
446	49	14	23
989	49	14	36
31899	49	14	41
34815	51	14	68
35710	49	14	31
36403	49	14	30
38189	49	14	26
45110	51	14	45
49072	49	14	6
49345	51	14	74
53973	51	14	58
59883	49	14	37
59885	49	14	37
59885	49	14	37
110714	51	14	65
112201	49	14	32
144921	49	14	28
144921	51	14	59
188218	51	14	77
188330	51	14	64
421554	51	14	44
421863	51	14	43
504665	49	14	22
516798	49	14	21
534296	49	14	27
553248	49	14	20
553738	49	14	24
554602	49	14	24
573828	51	14	66
842185	51	14	42
54027029	51	—	—
54130041	49	14	40
54140331	49	14	25
54170009	51	14	83

NUMBER	PAGE	PLATE	CODE
54190096	51	14	75
54441582	51	14	76
54483156	51	14	80
54522680	49	14	21
54523999	49	14	29
54571677	51	14	63
54573590	49	14	35
54577109	51	14	60
54578212	51	14	62
54578213	51	14	67
54945043	49	14	34
54949493	51	14	42
54953386	51	14	72
54953389	49	14	7
54955270	49	14	38
DF.9110/00/63	49	14	17
RSM.3003/01	49	14	1
SSM.5001/03	49	14	19
SSM.5001/04	49	14	19
Wico 16714	49	14	5
14-148-203-108-0	49	14	18
124/026	55	16	26
376/093	55	16	19
376/100	55	16	23
622/050	55	16	20
622/061	55	16	6
622/067	55	16	7
622/068	55	16	21
622/069	55	16	16
622/071	55	16	22
622/073	55	16	15
622/076	55	16	13
622/077	55	16	14
622/078	55	16	18
622/079	55	16	25
622/082	55	16	12
622/086	55	16	4
622/086	55	16	17
622/101	55	16	10
622/128	55	16	24
928/060	55	16	9
928/063	55	16	8
928/097	55	16	5
R.928	55	16	11
R.928/5	55	—	—

