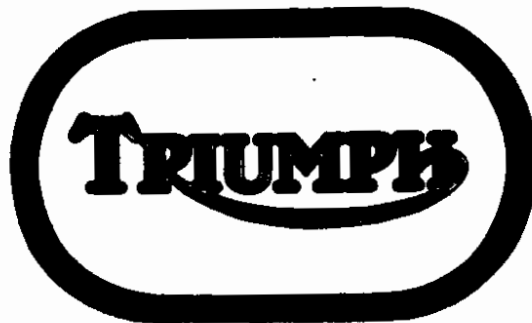


20-10156C



REPLACEMENT PARTS CATALOGUE

FOR

1974 MODELS BONNEVILLE 750 TIGER 750

SERIES 1



CLASSIC
BIKE SPARES

PART NO. 99-2251

INTRODUCTION

The Triumph Engineering Co. Ltd. point out that the information in this catalog was complete and correct at the time of printing. Distributors will be informed of any subsequent alterations.

GUARANTEE

Please refer to your dealer or distributor for the latest terms of guarantee.

Eastern U.S.A. Distributor:

Triumph Motorcycle Corporation,
P.O. Box 6790,
Towson,
Baltimore 4,
Maryland 21204.

Telex—Tricor Balt. 87728
Telephone—301-252-1700

Western U.S.A. Distributor:

Triumph Motorcycle Corporation,
P.O. Box 275
East Huntington Drive,
Duarte,
California 91010.

Telex—Tricor Duarte 675469
Telephone—213-359-3221
213-681-0255

ENGINE AND FRAME NUMBERS

The engine number is located on the left side of the engine, immediately below the cylinder barrel to crankcase flange.

The frame number is located on the left side of the frame headlug, beneath the fork top lug and forward of the gasoline tank.

Both the engine and frame number should be quoted in full in any correspondence relating to the machine.

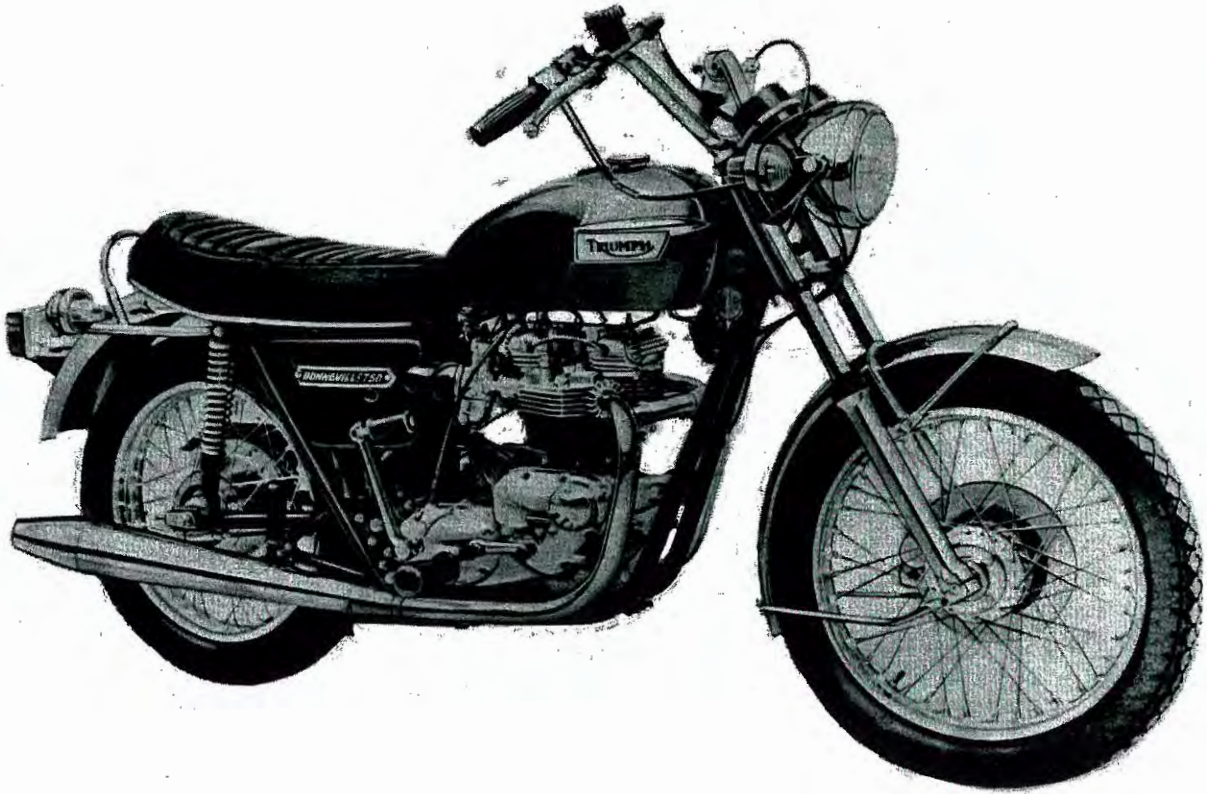

©
COPYRIGHT
All rights reserved. No part of this publication may be reproduced without permission.

CLASSIC
BIKE SPARES
2

INDEX

| | Page | | Page |
|---------------------------------|----------------|--------------------------------|----------------|
| AIR CLEANER | 63 | KICKSTARTER | 37 |
| ALTERNATOR | 9, 41 | MANIFOLD | 17 |
| AUTO-ADVANCE UNIT | 31 | MOTOR PLATES | 47 |
| | | MOTOR TORQUE STAY | 47 |
| BATTERY CARRIER | 79 | MUFFLERS | 49 |
| BRAKE SWITCH | 45 | | |
| BREATHER PIPES | 43 | OIL PUMP | 15 |
| | | OIL PIPES | 43 |
| CAMSHAFT, INLET AND EXHAUST ... | 9 | OIL PRESSURE RELEASE VALVE ... | 15 |
| CARBURETOR | 27, 29 | | |
| CENTRE STAND | 43 | PISTONS | 9 |
| CHAINS | 41 | PROP STAND | |
| CHAINCASE | 41 | PUSH RODS | 19, 21, 23, 25 |
| CLUTCH | 39 | | |
| CLUTCH LEVER ASSEMBLY | 37 | REAR WHEEL | 59 |
| COIL | 77 | RECTIFIER | 77 |
| CONDENSERS | 77 | ROCKERS | 19, 21, 23, 25 |
| CONNECTING RODS | 9 | | |
| CONTACT BREAKER | 31 | SIDE PANEL | 63 |
| CONTROL CABLES | 71 | SPARK PLUG | 77 |
| CONTROL LEVERS | 69 | SPEEDOMETER | 75 |
| CRANKCASE | 11, 13 | SPEEDOMETER GEARBOX | 59 |
| CRANKSHAFT | 9 | SUSPENSION UNITS | 45 |
| CYLINDERS | 19, 21, 23, 25 | SWINGING FORK | 45 |
| CYLINDER HEAD | 19, 21, 23, 25 | SWITCHES | 45, 69 |
| | | | |
| EXHAUST PIPES | 49 | TABLE OF STANDARD HARDWARE ... | 80, 81 |
| | | TACHOMETER | 75 |
| FENDERS | 65 | TACHOMETER GEARBOX | 75 |
| FLASHERS | 79 | TAIL LAMP | 67 |
| FOOTRESTS | 47 | TAPPETS | 17 |
| FRAME | 43 | TIMING GEARS | 9 |
| FRONT BRAKE | 57 | TOOLKIT | 73 |
| FRONT FORKS | 51, 53 | TWIN SEAT | 61 |
| FRONT WHEEL | 55 | | |
| | | VALVES | 19, 21, 23, 25 |
| GAS TANK | 61 | VALVE GUIDES | 19, 21, 23, 25 |
| GEARBOX | 33, 35, 37 | | |
| | | WIRING HARNESS | 79 |
| HANDLEBAR | 69 | ZENER DIODE | 77 |
| HEADLAMP | 79 | | |
| HORN | 77 | | |





BONNEVILLE 750 (T140V), TIGER 750 (TR7RV) TECHNICAL DATA

| | | TR7RV | T140V |
|-------------------|------------------------|----------------------|-----------------------|
| Compression ratio | ... | 8.25 : 1 | 8.25 : 1 |
| Spark plugs | ... | Champion N3 | Champion N3 |
| Carburetor | ... | Amal Concentric 930 | 2 Amal Concentric 930 |
| | Main jet | 280 | 210 |
| | Needle jet | .106 | .106 |
| | Throttle valve | No. 3½ | No. 3 |
| Gearbox sprocket | ... | 20 teeth | 20 teeth |
| Chains | Front | ¾ Triplex x 84 links | ¾ Triplex x 84 links |
| | Rear | ⅝" x ⅜" x 107 links | ⅝" x ⅜" x 107 links |
| Capacities | Gas Tank | 3.6 U.S. galls. | 3.6 U.S. galls. |
| | Oil Tank | 4.8 U.S. pints | 4.8 U.S. pints |
| | Gearbox | ⅞ pint (500 c.c.) | ⅞ pint (500 c.c.) |
| | Primary Chaincase | ¼ pint (150 c.c.) | ¼ pint (150 c.c.) |
| | Front Forks (each leg) | ⅓ pint (190 c.c.) | ⅓ pint (190 c.c.) |
| Tire size | Front | 3.25 x 19 | 3.25 x 19 |
| | Rear | 4.00 x 18 | 4.00 x 18 |

CLASSIC
BIKE SPARES

HOW TO USE THIS SPARE PARTS CATALOG

First consult the index on Page 3 for the parts or group of parts which you wish to locate. When you have located the parts make sure from the end columns that the part you have located does apply to your machine.

List the quantities required as single units; do not ask for "2 pairs" or "3 dozen".

In case of painted items always state the color required. Painted parts are available only in the colors or alternatives specified for that model of that particular year.

PLEASE NOTE

THROUGHOUT THIS LIST, ASSEMBLIES ARE PRINTED IN CAPITALS AND THE COMPONENTS INCLUDED IN THAT ASSEMBLY ARE INDENTED IN THE DESCRIPTION COLUMN, REVERTING TO THE ORIGINAL ALIGNMENT WHEN THE ASSEMBLY IS COMPLETE. TO ORDER THE COMPLETE ASSEMBLY IT IS NECESSARY ONLY TO QUOTE THE ASSEMBLY NUMBER. ANY COMPONENT PARTS LISTED MAY ALSO BE OBTAINED SEPARATELY IF REQUIRED.

SPECIAL WORKSHOP TOOLS

A COMPLETE LIST OF WORKSHOP TOOLS CAN BE MADE AVAILABLE BY EITHER CONTACTING YOUR DEALER OR APPLYING DIRECT TO THE TRIUMPH SERVICE DEPARTMENT. IN MOST CASES THESE TOOLS ARE VERY COSTLY AS THEY ARE MADE ENTIRELY FOR WORKSHOP USE, AND THEREFORE, IT IS NOT RECOMMENDED THAT THE PRIVATE OWNER PURCHASES THE TOOLS IN ORDER TO AID SERVICING THE MACHINE ONCE OR TWICE ONLY. IN THESE CIRCUMSTANCES IT IS FAR MORE ECONOMICAL TO GET IN TOUCH WITH A RECOGNISED DEALER.

UNIFIED THREAD FORM

NEW PARTS HAVING THREADED FIXINGS INTRODUCED IN THIS CATALOG HAVE THE UNIFIED FORM OF SCREW THREADS. THIS CHANGEVER WILL BE CONTINUED AS AND WHEN NEW PARTS ARE INTRODUCED. EVEN WHERE PARTS ARE SIMILAR IN APPEARANCE NEW PART NUMBERS WILL BE ALLOCATED TO IDENTIFY THE UNIFIED THREADS. ALL NUTS, BOLTS AND STUDS HAVING THIS THREAD ARE IDENTIFIED BY MARKINGS. BOLTS HAVE A CIRCULAR RECESS IN THEIR HEADS, STUDS A CIRCULAR GROOVE ON THE END, AND NUTS HAVE INTERLOCKING CIRCLES ON THE SIDE.

COLOR

BONNEVILLE 750

Fenders - Chrome.
Gas tank - Cherokee Red/Ice White
Side covers - Black.

TIGER 750:

Fenders - Chrome
Gas tank - Sea Jade/Ice White
Side covers - Black.



TRIUMPH SPARES

HOW TO ORDER. Every part is indicated by a number, and this should be quoted together with the description. In order to assist customers, dimensions have been given in many cases where parts are similar. Parts where possible have been listed in order of assembly and a number of the illustrations show the assembly order also. With these aids, there should be no difficulty in identifying the parts you require.

ALWAYS HEAD YOUR ORDER WITH THE ENGINE NUMBER, STAMPED ON THE LEFT SIDE OF THE ENGINE JUST BELOW THE CYLINDER, TOGETHER WITH THE PREFIX LETTERS.

WHERE TO OBTAIN. Triumph Spare Parts can only be obtained from an authorised Triumph Dealer, and we recommend our customers to place their orders with the Triumph Dealer in their district. When parts not usually asked for are required, and for which the Dealer may have to write or obtain specially, the postage or carriage incurred becomes payable.

TRIUMPH SPARES ARE NOT SUPPLIED TO PRIVATE OWNERS DIRECT FROM THE FACTORY. A LIST OF AUTHORISED DEALERS WHO STOCK TRIUMPH SPARES IS AVAILABLE ON REQUEST. IF DIFFICULTY IS EXPERIENCED IN OBTAINING THE REQUIRED PARTS, THE MATTER SHOULD BE TAKEN UP DIRECTLY WITH THE TRIUMPH SPARES DEPARTMENT.

Customers are warned against the risk incurred by purchasing parts that are not of genuine Triumph manufacture. This risk is eliminated if parts are ordered as instructed from recognised Dealers.

PATTERNS AND PARTS FOR REPAIR. It is not necessary to send patterns if the part number is quoted. The sending of patterns often delays the order as parcel post or rail takes longer than letter post.

Parts sent to Coventry for repair, replacement, or as patterns should bear the sender's Name and Address and clear instructions should accompany the parts. In your own interest send a copy of the advice note under separate cover. All parts must be forwarded carriage paid and care should be taken to ensure that all remittances are sent separately and not enclosed with the parts. Fragile units such as cylinders, etc., should always be boxed to avoid damage in transit. Complete machines should have all fittings such as windscreens, driving mirrors, tools, etc., removed by the sender before despatch, as it is impossible for us to accept responsibility in the event of loss in transit. We are always pleased to give estimates for overhauling and repairs, but should an estimate not be accepted, a charge will be made covering cost of dismantling and re-assembling, if carried out. Work cannot be accepted at the factory direct from private owners.

Communications relating to Parts should be addressed to the SPARES DEPARTMENT and for repairs, guarantee claims and technical advice to the SERVICE DEPARTMENT, Triumph Engineering Co. Ltd., Meriden Works, Allesley, Coventry. In order to facilitate quick reference, the quoting of any number, invoice number or reference from previous communications is essential. Accessories not of our manufacture should be sent direct to the actual makers, whose Names and Addresses appear below.

PROPRIETARY GROUP

Ancillary equipment which is fitted to our motor cycles is of the highest quality and is guaranteed by the manufacturers and not by ourselves. Any repairs or claims should be directed to the actual makers or their local agents who will always give owners every possible assistance. The following are the addresses of the various manufacturers:—

CARBURETORS

Messrs. Amal Ltd.,
Holdford Road,
Witton,
Birmingham, 6.

CHAINS.

Renold Chains Ltd.,
Wythenshawe,
Manchester.

ELECTRICAL EQUIPMENT.

Messrs. J. Lucas Ltd.,
Gt. Hampton Street,
Birmingham, 18.

TIRES.

Dunlop Rubber Co. Ltd.,
Fort Dunlop,
Birmingham, 24.

The Avon Rubber Co. Ltd.,
Melksham,
Wilts.

SPARK PLUGS.

Champion Sparking Plug Co. Ltd.,
Feltham,
Middlesex.

INSTRUMENTS.

Messrs. Smiths Industries Ltd.,
Cricklewood Works,
London, N.W.2.

SUSPENSION UNITS.

Messrs. Girling Ltd.,
Birmingham Road,
West Bromwich,
Staffordshire.



OVERSIZE PISTONS AND RINGS

| | | |
|------------------|---------|---------|
| Piston assembly | + 0.010 | 71-3686 |
| Compression ring | + 0.010 | 71-3691 |
| Scraper ring | + 0.010 | 71-3696 |
| Piston assembly | + 0.020 | 71-3687 |
| Compression ring | + 0.020 | 71-3692 |
| Scraper ring | + 0.020 | 71-3697 |
| Piston assembly | + 0.040 | 71-3689 |
| Compression ring | + 0.040 | 71-3694 |
| Scraper ring | + 0.040 | 71-3699 |

PISTON RING SETS

| | | |
|---------------|---------|---------|
| Ring set—75mm | Std. | 99-3788 |
| Ring set—76mm | Std. | 99-3789 |
| Ring set—76mm | + 0.010 | 99-3790 |
| Ring set—76mm | + 0.020 | 99-3791 |
| Ring set—76mm | + 0.040 | 99-3792 |

VALVE GUIDE SETS

| | | |
|-----------------|---------|---------|
| Valve guide set | Std. | 99-3793 |
| Valve guide set | + 0.002 | 99-3794 |
| Valve guide set | + 0.004 | 99-3795 |
| Valve guide set | + 0.006 | 99-3796 |

GASKET SETS

| | | |
|----------|--|---------|
| Decoke | | 99-3022 |
| Overhaul | | 99-3023 |



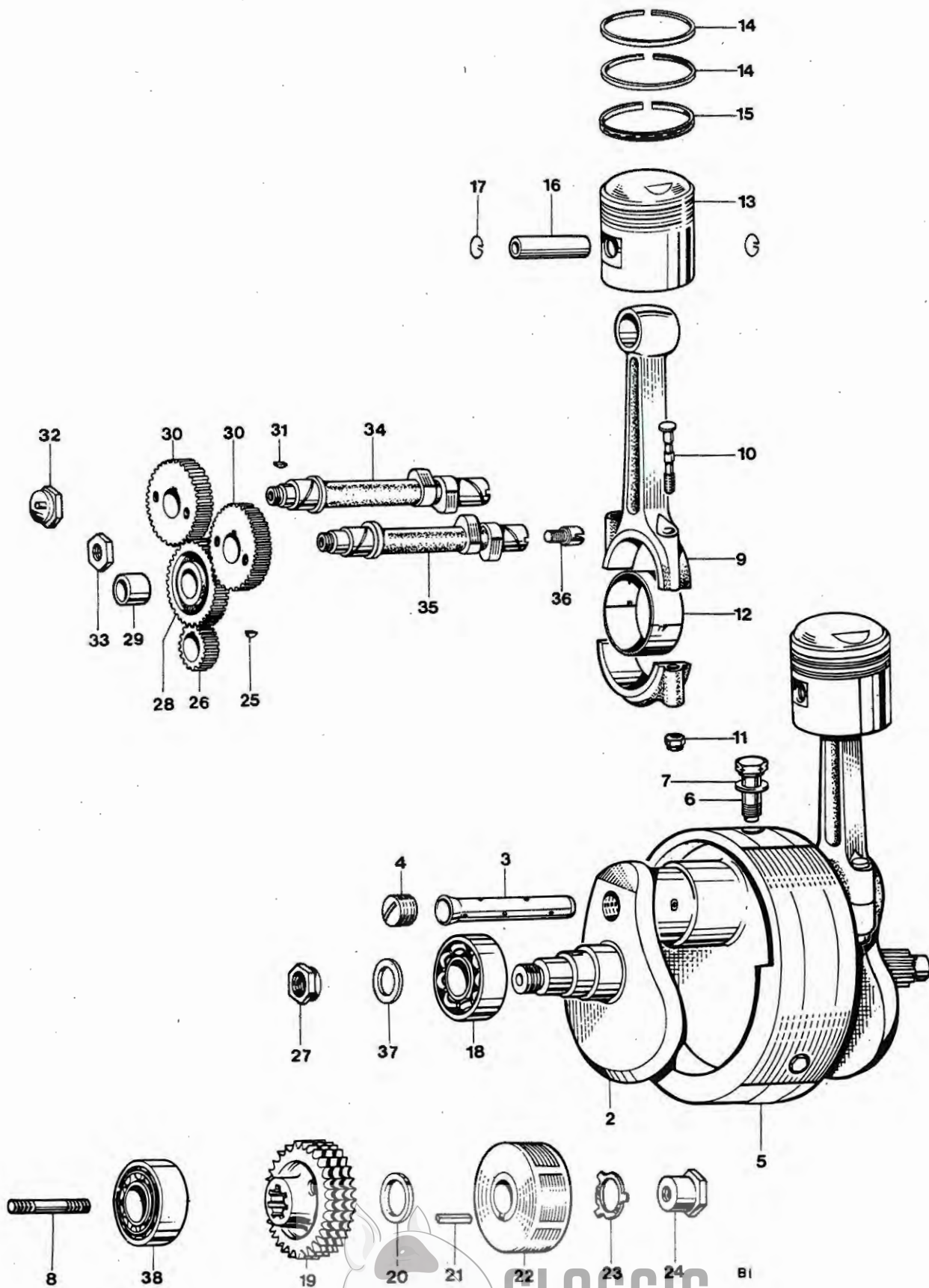


Fig. 1. CRANKSHAFT AND CONNECTING RODS

CLASSIC
BIKE SPARES

CRANKSHAFT AND CONNECTING RODS

| Ref. No. | Part No. | Description | Quantity | Remarks |
|------------|----------|---|----------|-----------------------|
| 1 | 71-3674 | CRANKSHAFT AND FLYWHEEL ASSEMBLY | 1 | |
| 2 | 71-3298 | CRANKSHAFT C/W. OIL TUBE | 1 | |
| 3 | 70-3903 | Oil tube | 1 | |
| 4 | 71-2800 | Screwed plug | 1 | |
| 5 | 71-2425 | Flywheel | 1 | |
| 6 | *71-3552 | Flywheel bolt | 3 | |
| 7 | 71-1003 | Washer | 3 | |
| 8 | 21-2183 | Crankshaft stud (1 1/8 in. O.A.) | 1 | |
| 9 | 71-3006 | CONNECTING ROD | 2 | |
| 10 | 70-9914 | Connecting rod bolt | 4 | |
| 11 | 60-3761 | Self locking nut | 4 | |
| 12 | 70-3586 | Big end bearing (Available in —010 in. and —020 in. undersizes) | 4 | |
| 13 | 71-3676 | PISTON COMPLETE | 2 | |
| 14 | 71-3690 | Taper compression ring | 4 | |
| 15 | 71-3695 | Oil control ring | 2 | |
| 16 | 71-3354 | Gudgeon pin | 2 | |
| 17 | 71-3700 | Circlip | 4 | |
| 18 | 60-4167 | Main bearing, right | 1 | |
| 19 | 71-3542 | Motor sprocket, 29 teeth Triplex | 1 | |
| 20 | 71-3544 | Distance piece | 1 | |
| 21 | 71-0082 | Rotor key | 1 | |
| 22 | 54213901 | Rotor (99-0739) | 1 | |
| 23 | 70-3975 | Tab washer | 1 | |
| 24 | 21-2182 | Nut | 1 | |
| 25 | 70-1580 | Key | 1 | |
| 26 | 70-4564 | Timing pinion | 1 | |
| 27 | 71-2877 | Nut | 1 | |
| 28 | 70-6159 | INTERMEDIATE WHEEL | 1 | |
| 29 | 70-0400 | Intermediate wheel bush | 1 | |
| 30 | 71-3666 | Camshaft pinion | 2 | |
| 31 | 70-1558 | Camshaft key | 2 | |
| 32 | 71-1007 | Inlet camshaft nut | 1 | |
| 33 | 70-6523 | Exhaust camshaft nut | 1 | |
| 34 | 71-3011 | Inlet camshaft | 1 | |
| 35 | 71-3010 | EXHAUST CAMSHAFT | 1 | |
| 36 | 70-9988 | Tachometer drive plug | 1 | |
| 37 | 70-3300 | Clamping washer | 1 | |
| 38 | 70-2879 | Main bearing, left | 1 | |
| Not illus. | 71-2663 | Spacer | 1 | |
| Not illus. | 70-8038 | Shim (0.010 in.) | | Engine sprocket |
| Not illus. | 71-2660 | Shim (0.030 in.) | | |
| | | | | As required (up to 4) |
| | | | | As required (up to 4) |

*Use 60-0524 Loctite Sealant



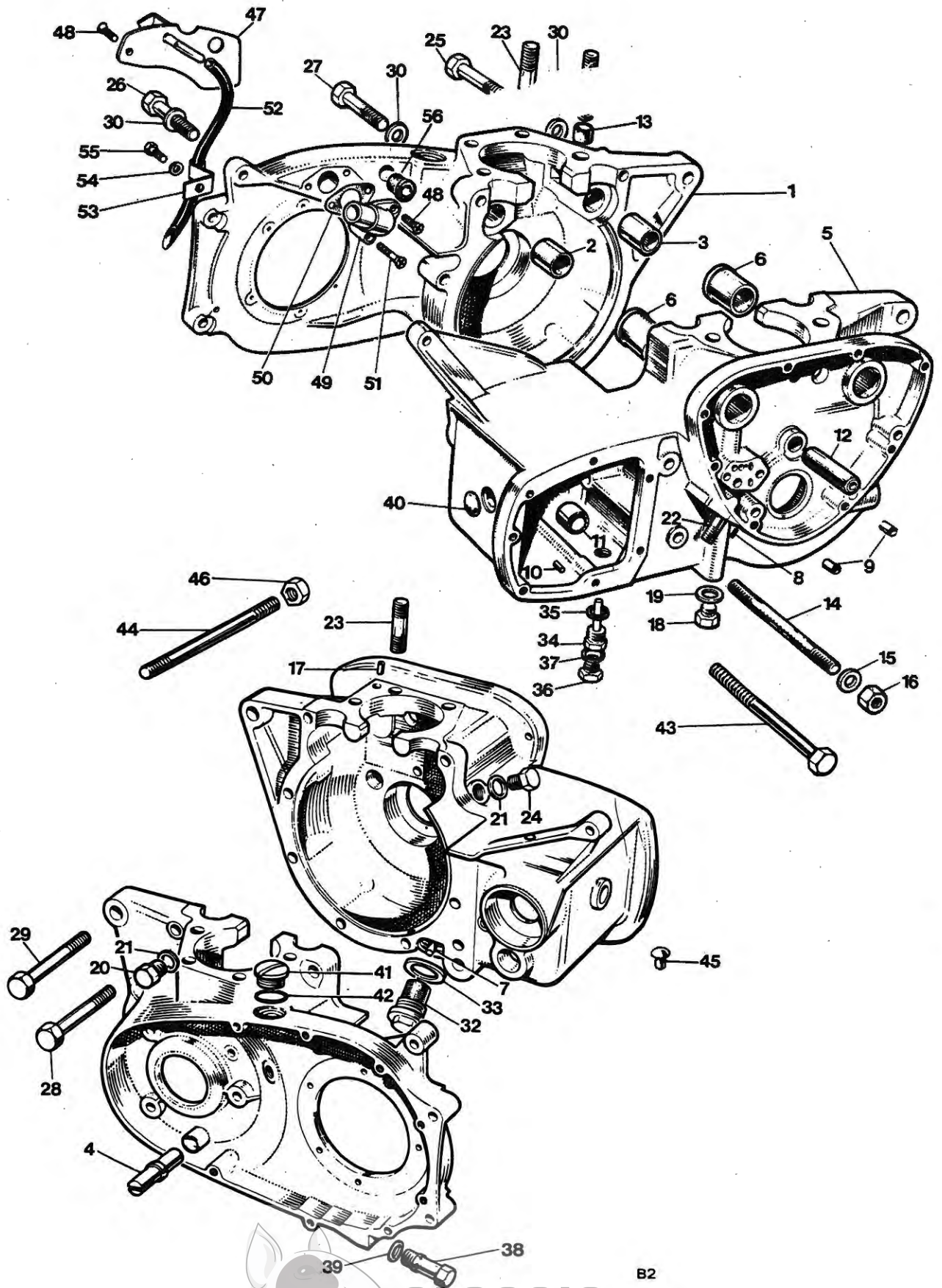
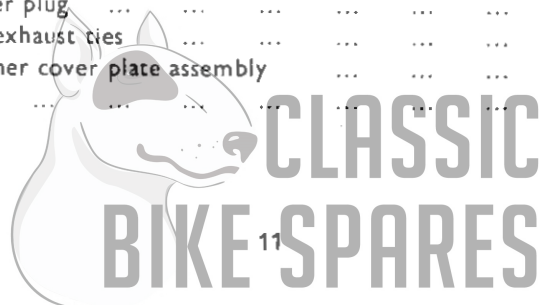


Fig. 2 CRANKCASE

B2

CRANKCASE

| | | | | |
|----|---------|--|----|----------------|
| 1 | 71-3677 | CRANKCASE DRIVE SIDE | 1 | |
| 2 | 71-0287 | Camshaft bush | 1 | |
| 3 | 71-0287 | Camshaft bush | 1 | |
| 4 | 70-5088 | Chain tensioner abutment | 1 | |
| 5 | 71-3678 | CRANKCASE TIMING SIDE | 1 | |
| 6 | 71-0286 | Camshaft bush | 2 | |
| 7 | 70-4538 | Scavenge pipe | | Reference only |
| 8 | 70-6386 | Locating peg (at oil pipes) | | Reference only |
| 9 | 57-0989 | Hollow dowel | 2 | |
| 10 | 57-0912 | Locating peg (L/S at thrust washer) | 1 | |
| 11 | 57-1606 | Needle roller bearing, layshaft | 1 | |
| 12 | 70-0375 | Intermediate wheel spindle | 1 | |
| 13 | 70-8751 | Hollow dowel | 1 | |
| 14 | 14-1445 | Stud | 1 | |
| 15 | 60-4246 | Plain washer | 2 | |
| 16 | 14-0303 | Nut | 1 | |
| 17 | 70-1532 | Hollow dowel, tappet oil feed | 2 | |
| 18 | 70-9330 | Oilway plug | 1 | |
| 19 | 82-1880 | Copper washer | 1 | |
| 20 | 21-1871 | Tachometer drive plug (L.H. thread) | 1 | |
| 21 | 70-8896 | Fibre washer | 2 | |
| 22 | 21-1863 | Oil pipe stud | 1 | |
| 23 | 21-1865 | Cylinder stud | 4 | |
| 23 | 71-3013 | Cylinder stud | 4 | |
| 24 | 21-1872 | Plug, timing hole | 1 | |
| 25 | 21-1870 | Bolt | 1 | |
| 26 | 14-6220 | Bolt | 1 | |
| 27 | 14-6223 | Bolt | 1 | |
| 28 | 14-0230 | Bolt | 1 | |
| 29 | 21-1823 | Bolt | 2 | |
| 30 | 60-2330 | Plain washer | 10 | |
| 31 | 14-1302 | Nut | 5 | |
| 32 | 70-9336 | Crankcase filter | 1 | |
| 33 | 70-8782 | Joint washer | 1 | |
| 34 | 57-2167 | Drain plug (with level tube) | 1 | |
| 35 | 57-1257 | Fibre washer | 1 | |
| 36 | 21-0543 | Level plug | 1 | |
| 37 | 70-2441 | Copper washer | 1 | |
| 38 | 57-2259 | Drain and adjuster plug | 1 | |
| 39 | 70-6299 | "O" ring | 1 | |
| 40 | 57-1920 | Blanking plug | | Reference only |
| 41 | 57-2166 | Filler plug | 2 | |
| 42 | 70-8782 | "O" ring | 2 | |
| 43 | 14-6242 | Bolt | 1 | |
| 44 | 21-0669 | Stud | 1 | |
| 45 | 70-7573 | Rubber plug | 1 | |
| 46 | 14-0402 | Nut, exhaust ties | 2 | |
| 47 | 71-1072 | Breather cover plate assembly | 1 | |
| 48 | 71-1075 | Screw | 1 | |



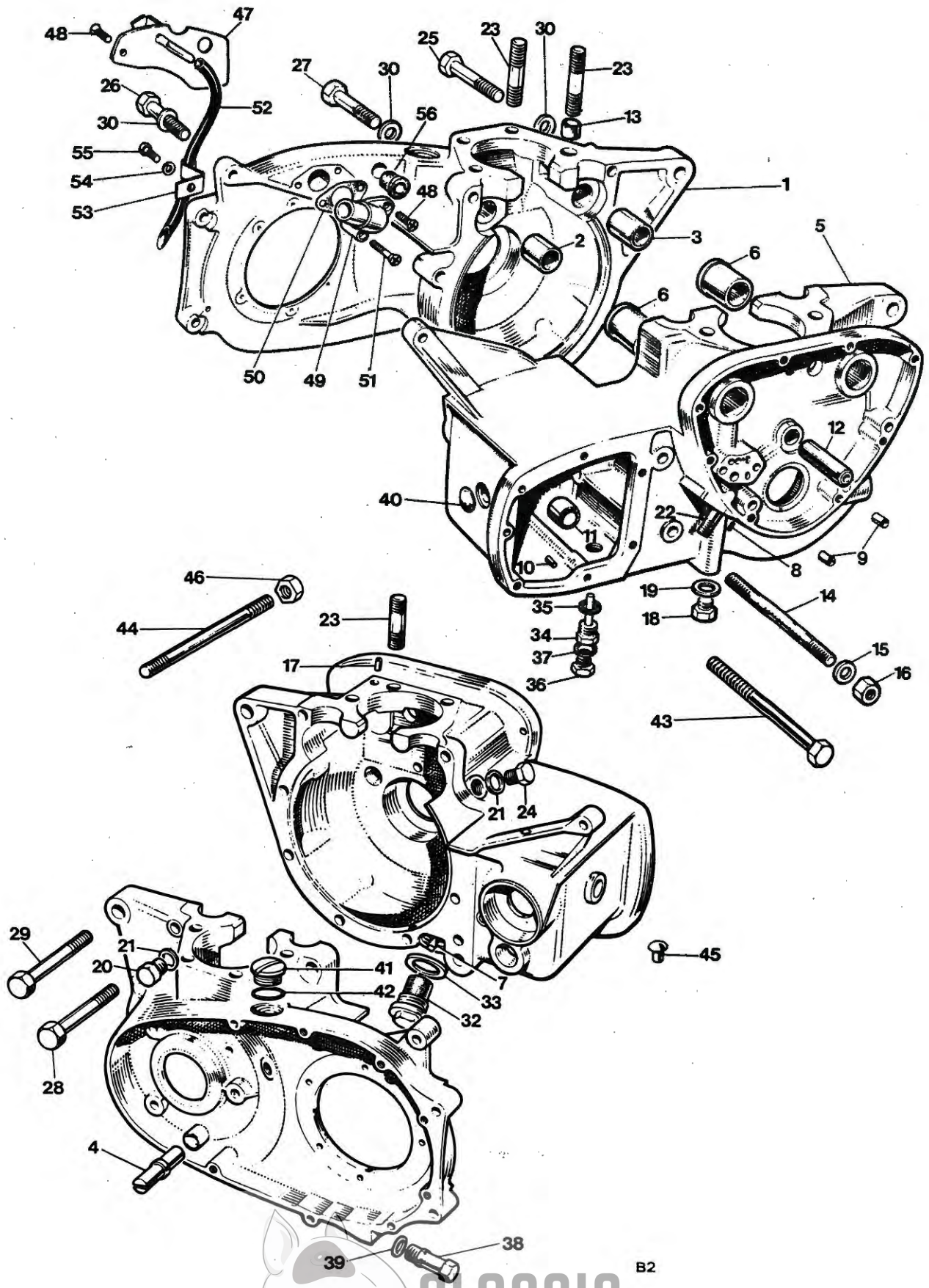


Fig. 2 CRANKCASE

B2

Ref. No. Part No.

DESCRIPTION

QUANTITY REMARKS

CRANKCASE (continued)

| | | | | | | | | | | |
|----|---------|------------------------------------|-----|-----|-----|-----|-----|-----|-----|---|
| 49 | 71-4044 | Outlet stub | ... | ... | ... | ... | ... | ... | ... | 1 |
| 50 | 71-1460 | Joint washer | ... | ... | ... | ... | ... | ... | ... | 1 |
| 51 | 71-1077 | Screw | ... | ... | ... | ... | ... | ... | ... | 2 |
| 52 | 71-3174 | Tube, primary chain oiler | ... | ... | ... | ... | ... | ... | ... | 1 |
| 53 | 71-3175 | Clip | ... | ... | ... | ... | ... | ... | ... | 1 |
| 54 | 60-4250 | Spring washer | ... | ... | ... | ... | ... | ... | ... | 1 |
| 55 | 14-0101 | Bolt ($\frac{7}{8}$ in. U.H.) | ... | ... | ... | ... | ... | ... | ... | 1 |
| 56 | 71-1345 | Grommet, alternator leads—external | ... | ... | ... | ... | ... | ... | ... | 1 |



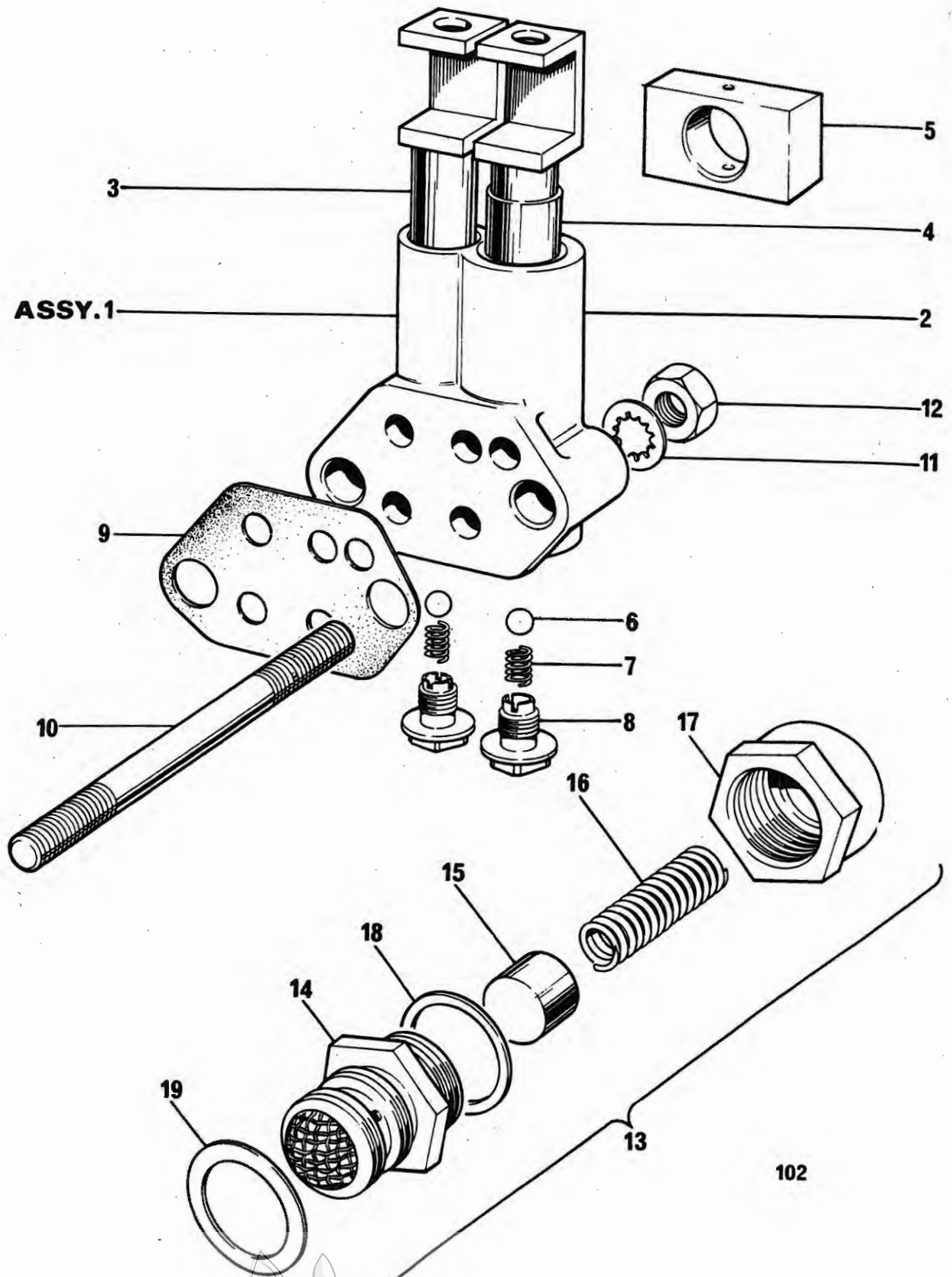


Fig. 3. OIL PUMP AND RELEASE VALVE

CLASSIC
 BIKE SPARES

Ref. No. Part No.

DESCRIPTION

QUANTITY

REMARKS

OIL PUMP AND RELEASE VALVE

| Ref. No. | Part No. | DESCRIPTION | QUANTITY | REMARKS |
|----------|----------------|---------------------------------------|----------|----------------|
| 1 | 70-9421 | OIL PUMP | 1 | |
| 2 | Reference only | Pump body... | 1 | |
| 3 | 70-9269 | Feed plunger | 1 | |
| 4 | 70-6681 | Scavenger plunger | 1 | |
| 5 | 70-0495 | Drive block | 1 | |
| 6 | 60-2363 | Valve ball ($\frac{7}{32}$ in. dia.) | 2 | |
| 7 | 70-0403 | Valve spring | 2 | |
| 8 | 70-2360 | Screwed plug | 2 | |
| 9 | 71-3910 | Joint washer | 1 | |
| 10 | 21-1864 | Oil pump stud | 2 | |
| 11 | 70-3887 | Serrated washer | 2 | |
| 12 | 21-1906 | Nut | 2 | |
| 13 | 71-3447 | OIL PRESSURE RELEASE VALVE | 1 | |
| 14 | 70-7590 | Body | 1 | Reference only |
| 15 | 70-8752 | Piston | 1 | |
| 16 | 70-7591 | Spring | 1 | |
| 17 | 70-6596 | Cap ... | 1 | |
| 18 | 70-8754 | Joint washer (cap to body) | 1 | |
| 19 | 70-1670 | Joint washer | 1 | |



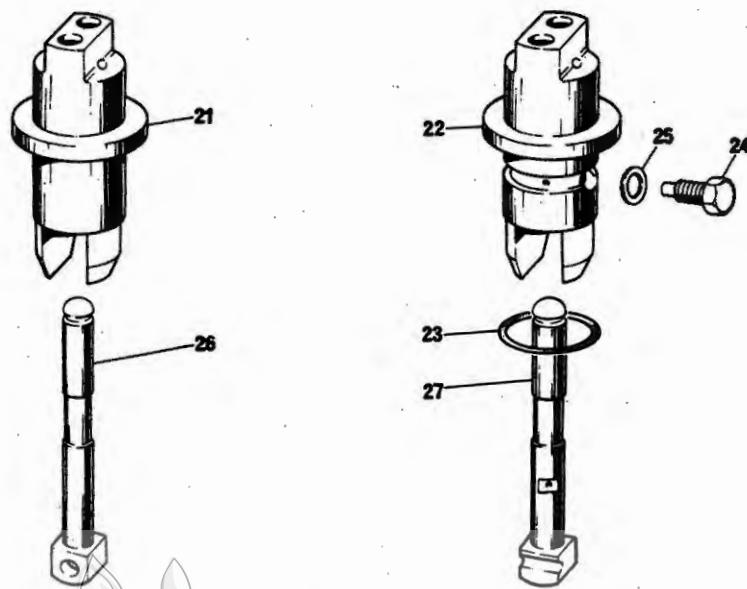
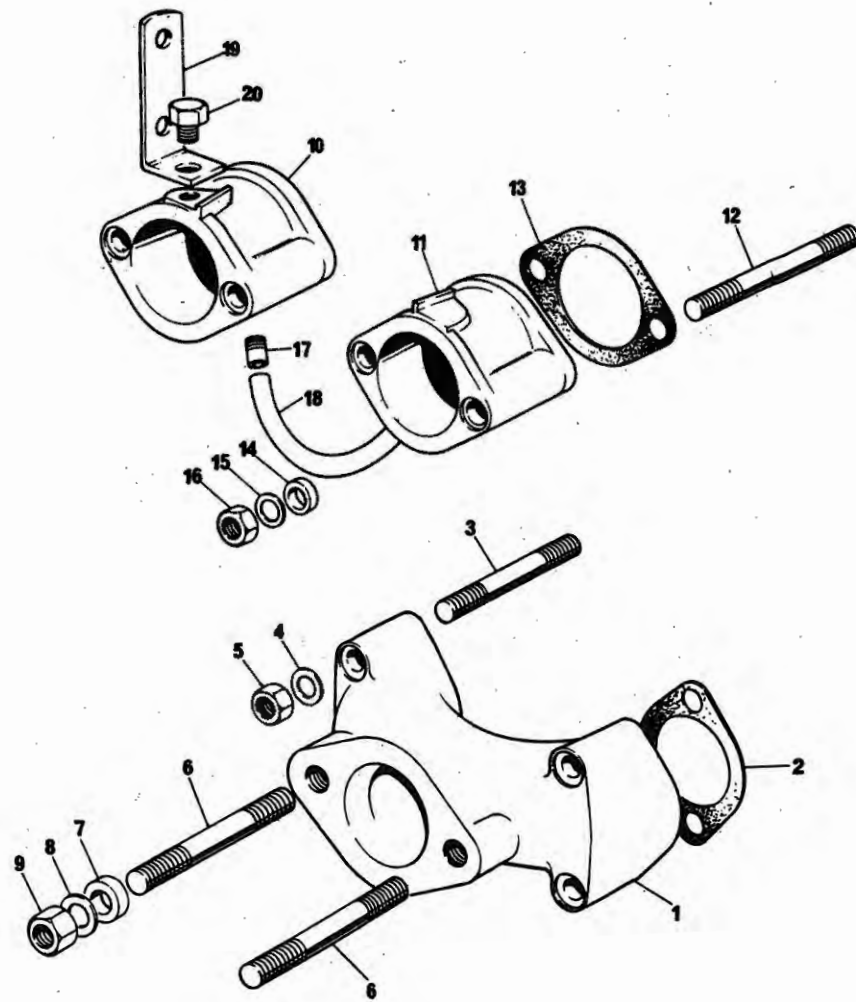


Fig. 4. MANIFOLD AND TAPPETS

MANIFOLD AND TAPPETS

| Ref. No. | Part No. | DESCRIPTION | QUANTITY | REMARKS |
|----------|----------|--|----------|---------|
| 1 | 71-3556 | Inlet manifold | 1 | TR7RV |
| 2 | 70-5660 | Joint washer | 2 | |
| 3 | 21-1876 | Stud | 4 | |
| 4 | 60-4248 | Washer } Manifold to head | 4 | |
| 5 | 21-1877 | Nut } Manifold to head | 4 | |
| 6 | 21-1996 | Stud | 2 | |
| 7 | 70-9554 | Insulating ring | 2 | |
| 8 | 70-9555 | Cup } Carburettor to manifold | 2 | |
| 9 | 14-1301 | Nut } Carburettor to manifold | 2 | |
| 10 | 71-3339 | Inlet manifold—L.H. | 1 | |
| 11 | 71-3338 | Inlet manifold—R.H. | 1 | |
| 12 | 71-2813 | Stud | 4 | |
| 13 | 71-3573 | Joint washer | 2 | |
| 14 | 70-9554 | Insulating ring | 4 | |
| 15 | 70-9555 | Cup } Carburettor to manifold and head | 4 | |
| 16 | 14-1301 | Nut } Carburettor to manifold and head | 4 | |
| 17 | 71-3313 | Connector | 2 | |
| 18 | 71-3577 | Connector pipe | 1 | |
| 19 | 83-4898 | Bracket—Air control lever | 1 | |
| 20 | 21-1903 | Screw | 1 | |
| 21 | 70-9352 | Inlet tappet guide block | 1 | |
| 22 | 70-9353 | Exhaust tappet guide block | 1 | |
| 23 | 70-7563 | 'O' ring | 2 | |
| 24 | 97-0200 | Set bolt | 2 | |
| 25 | 70-2441 | Washer | 2 | |
| 26 | 70-3059 | Inlet tappet | 2 | |
| 27 | 70-8801 | Exhaust tappet | 2 | |



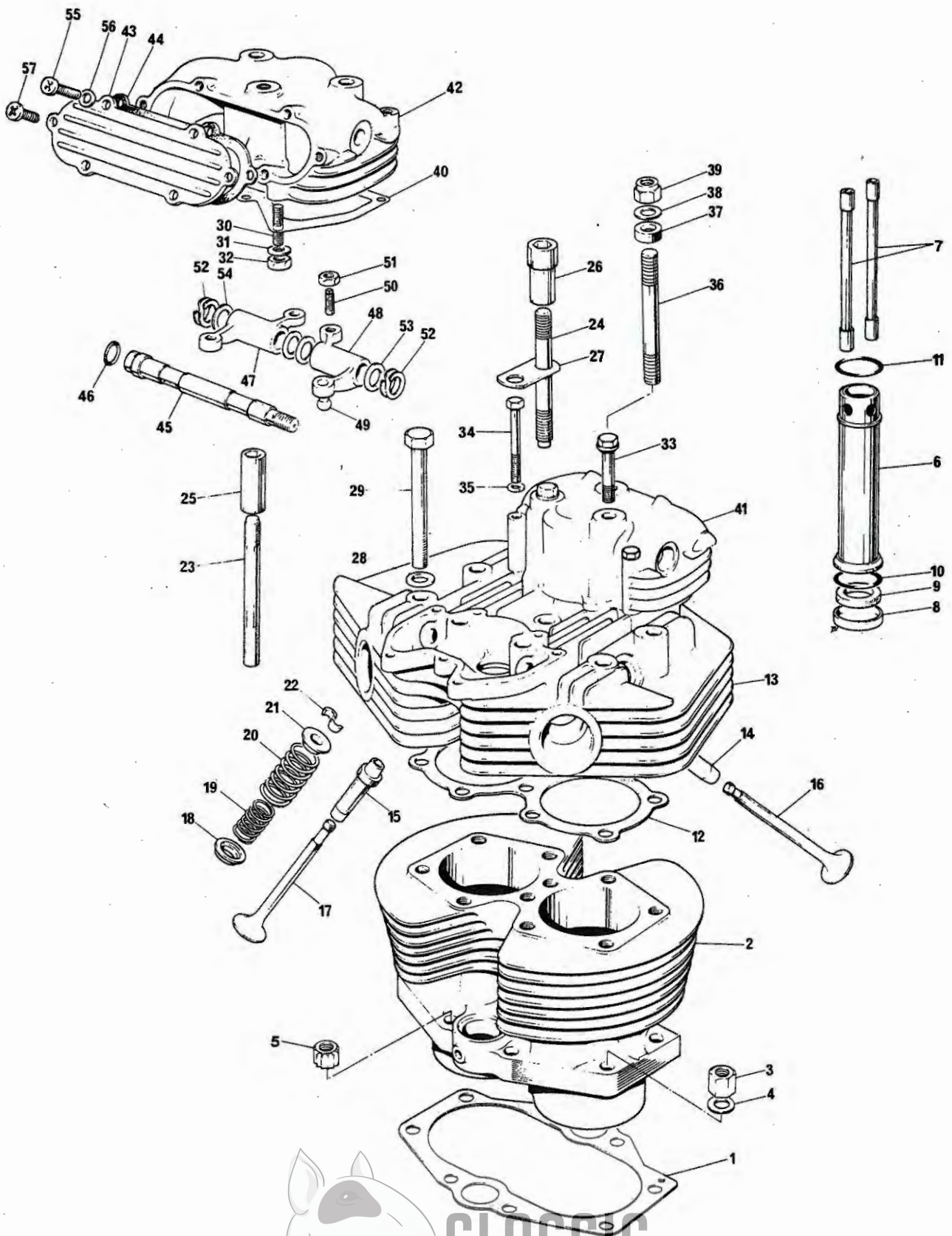


Fig. 5. CYLINDER BLOCK AND HEAD, TR7RV

CLASSIC
BIKE SPARES

CYLINDER BLOCK AND HEAD TR7RV

| Ref. No. | Part No. | Description | Quantity | Remarks |
|----------|----------|--|----------|-------------|
| 1 | 70-6309 | Cylinder base washer ... | 1 | |
| 2 | 71-4005 | Cylinder block ... | 1 | |
| 3 | 21-2177 | Cylinder base nut ... | 4 | |
| 4 | 70-3446 | Washer ... | 4 | |
| 5 | 21-0692 | Cylinder base nut (12 point) ... | 4 | |
| 6 | 71-3329 | Push rod cover tube ... | 2 | |
| 7 | 71-3330 | Push rod ... | 4 | |
| 8 | 71-1707 | Sleeve ... | 2 | Cover tubes |
| 9 | 70-4752 | Sealing ring ... | 2 | |
| 10 | 70-7310 | 'O' ring—bottom ... | 2 | |
| 11 | 71-1283 | 'O' ring—top ... | 2 | |
| 12 | 71-3681 | Cylinder head gasket ... | 1 | |
| 13 | 71-3558 | CYLINDER HEAD ... | 1 | |
| 14 | 71-3294 | Inlet valve guide ... | 2 | |
| 15 | 71-3295 | Exhaust valve guide ... | 2 | |
| 16 | 70-4603 | Inlet valve ... | 2 | |
| 17 | 70-2904 | Exhaust valve ... | 2 | |
| 18 | 71-3296 | Bottom cup ... | 4 | |
| 19 | 70-4221 | Inner valve spring ... | 4 | |
| 20 | 70-7400 | Outer valve spring ... | 4 | |
| 21 | 70-1543 | Top collar ... | 4 | |
| 22 | 99-0062 | Split cotter ... | 8 | |
| 23 | 21-2201 | Stud—cylinder head ($\frac{3}{8}$ in.) ... | 4 | |
| 24 | 21-2200 | Stud—cylinder head ($\frac{5}{16}$ in.) ... | 2 | |
| 25 | 21-2204 | Socket nut ($\frac{3}{8}$ in.) ... | 4 | |
| 26 | 21-2205 | Socket nut ($\frac{5}{16}$ in.) ... | 2 | |
| 27 | 71-3553 | Bridge plate ... | 1 | |
| 28 | 82-2184 | Washer ... | 8 | |
| 29 | 14-0241 | Bolt—cylinder head ... | 4 | |
| 30 | 14-1401 | Stud—rocker box ... | 6 | |
| 31 | 70-3302 | Washer ... | 6 | |
| 32 | 14-0301 | Nut ... | 6 | |
| 33 | 21-2206 | Bolt—rocker box ... | 4 | |
| 34 | 21-1875 | Bolt—rocker box ... | 4 | |
| 35 | 60-4248 | Washer ... | 4 | |
| 36 | 21-2197 | Stud ... | 2 | Torque stay |
| 37 | 37-2338 | Distance piece ... | 2 | |
| 38 | 60-2331 | Washer ... | 2 | |
| 39 | 14-1303 | Nut ... | 2 | |
| 40 | 71-2599 | Rocker box gasket ... | 2 | |
| 41 | 71-3668 | Inlet rocker box ... | 1 | |
| 42 | 71-3669 | Exhaust rocker box ... | 1 | |
| 43 | 71-3671 | Tappet inspection cover ... | 2 | |
| 44 | 71-3673 | Gasket ... | 2 | |
| 45 | 71-3549 | Rocker spindle ... | 2 | |
| 46 | 60-3548 | Sealing ring ... | 2 | |



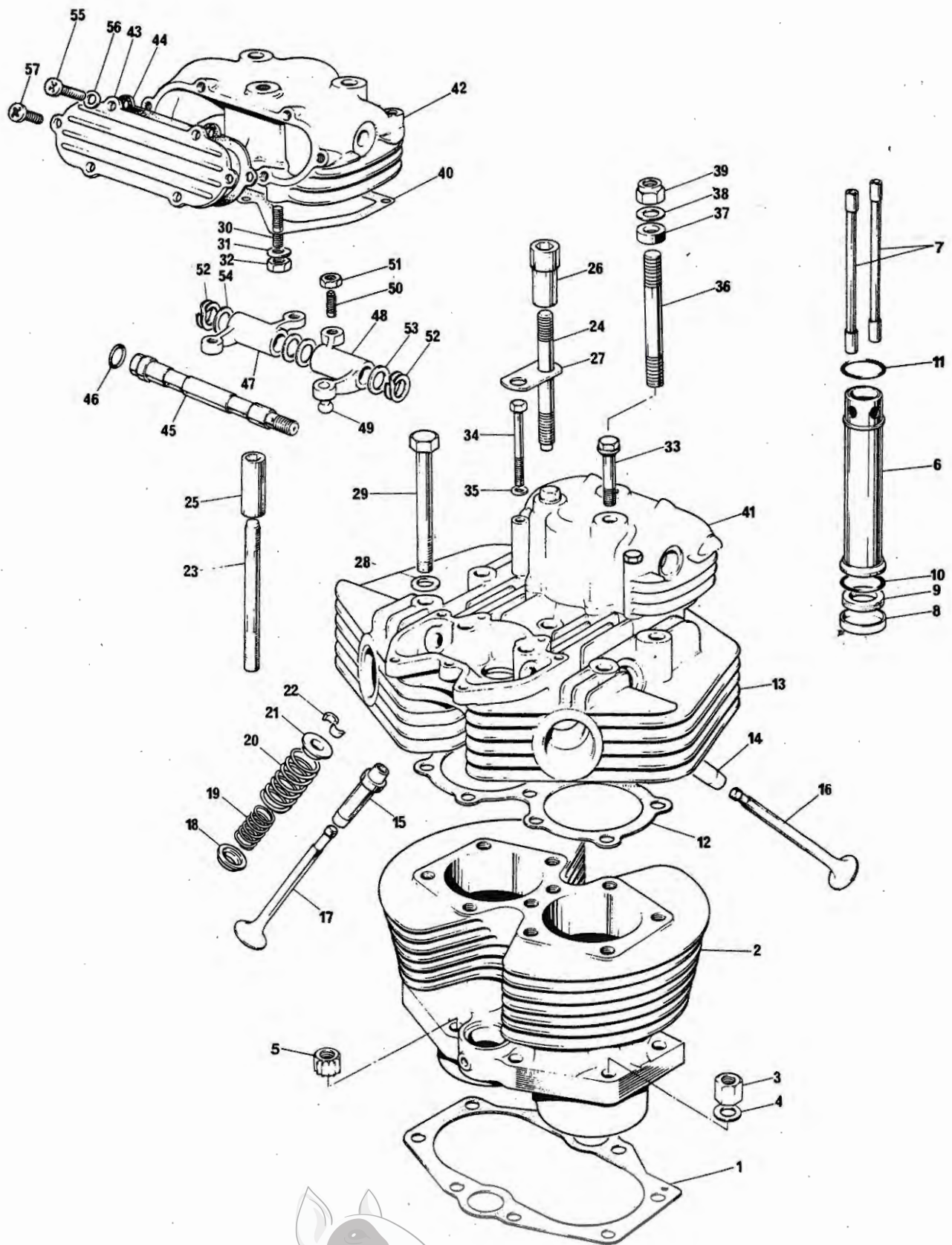


Fig. 6. CYLINDER BLOCK AND HEAD, TR7RV

Ref. No. Part No.

DESCRIPTION

QUANTITY REMARKS

CYLINDER BLOCK AND HEAD, TR7RV (continued)

| | | | | | | | | | |
|----|---------|------------------------------------|-----|-----|-----|-----|-----|-----|----|
| 47 | 70-1457 | Rocker (right exhaust, left inlet) | ... | ... | ... | ... | ... | ... | 2 |
| 48 | 70-1458 | Rocker (left exhaust, right inlet) | ... | ... | ... | ... | ... | ... | 2 |
| 49 | 71-0070 | Ball pin | ... | ... | ... | ... | ... | ... | 4 |
| 50 | 70-1513 | Adjusting pin | ... | ... | ... | ... | ... | ... | 4 |
| 51 | 70-0470 | Lock nut | ... | ... | ... | ... | ... | ... | 4 |
| 52 | 70-1574 | Spring washer | ... | ... | ... | ... | ... | ... | 4 |
| 53 | 70-1575 | Thrust washer ($\frac{1}{2}$ in.) | ... | ... | ... | ... | ... | ... | 6 |
| 54 | 70-1330 | Thrust washer ($\frac{3}{8}$ in.) | ... | ... | ... | ... | ... | ... | 2 |
| 55 | 14-6103 | Set screw | ... | ... | ... | ... | ... | ... | 4 |
| 56 | 60-3963 | Washer | ... | ... | ... | ... | ... | ... | 12 |
| 57 | 14-6606 | Set screw | ... | ... | ... | ... | ... | ... | 8 |



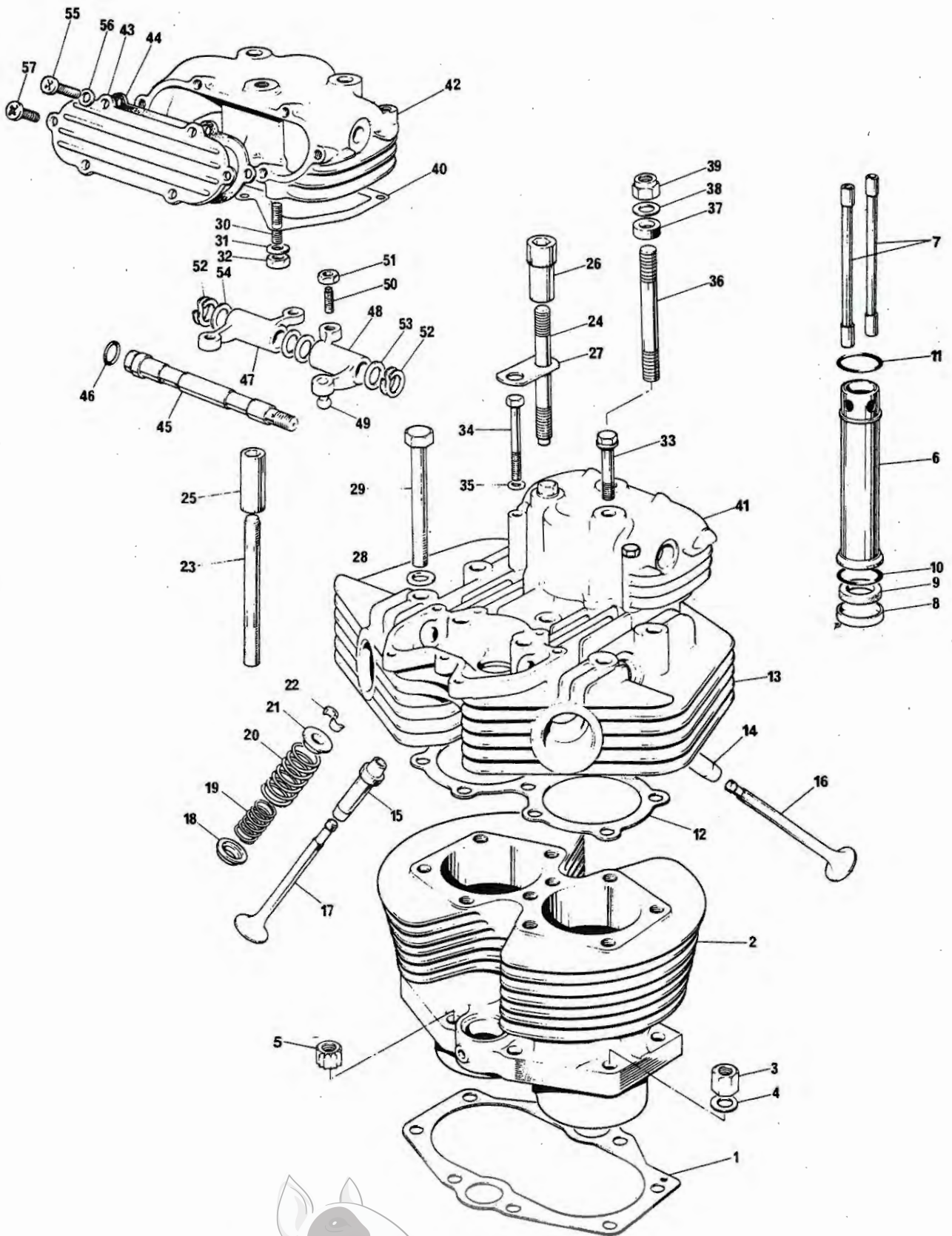


Fig. 7. CYLINDER BLOCK AND HEAD, T140V

CYLINDER BLOCK AND HEAD, T140V

| | | | | |
|----|--------------------|--|---|---------------|
| 1 | 70-6309 | Cylinder base washer ... | 1 | |
| 2 | 71-4005 | Cylinder block ... | 1 | |
| 3 | 21-2177 | Cylinder base nut ... | 4 | |
| 4 | 70-3446 | Washer ... | 4 | |
| 5 | 21-0692 | Cylinder base nut (12 point) | 4 | |
| 6 | 71-3329 | Push rod cover tube ... | 2 | |
| 7 | 71-3330 | Push rod ... | 4 | |
| 8 | 71-1707 | Sleeve ... | 2 | } Cover tubes |
| 9 | 70-4752 | Sealing ring ... | 2 | |
| 10 | 70-7310 | 'O' ring—bottom ... | 2 | |
| 11 | 71-1283 | 'O' ring—top ... | 2 | |
| 12 | 71-3681 | Cylinder head gasket ... | 1 | |
| 13 | 71-3023 | CYLINDER HEAD ... | 1 | |
| 14 | 71-3294 | Inlet valve guide ... | 2 | |
| 15 | 71-3295 | Exhaust valve guide ... | 2 | |
| 16 | 70-4603 | Inlet valve ... | 2 | |
| 17 | 70-2904 | Exhaust valve ... | 2 | |
| 18 | 71-3296 | Bottom cup ... | 4 | |
| 19 | 70-4221 | Inner valve spring ... | 4 | |
| 20 | 70-7400 | Outer valve spring ... | 4 | |
| 21 | 70-1543 | Top collar ... | 4 | |
| 22 | 99-0062 | Split cotter ... | 8 | |
| 23 | 21-2201 | Stud—cylinder head ($\frac{3}{8}$ in.) ... | 4 | |
| 24 | 21-2200 | Stud—cylinder head ($\frac{5}{16}$ in.) ... | 2 | |
| 25 | 21-2204 | Socket nut ($\frac{3}{8}$ in.) ... | 4 | |
| 26 | 21-2205 | Socket nut ($\frac{5}{16}$ in.) ... | 2 | |
| 27 | 71-3553 | Bridge plate ... | 1 | |
| 28 | 82-2184 | Washer ... | 8 | |
| 29 | 14-0241 | Bolt—cylinder head ... | 4 | |
| 30 | 14-1401 | Stud—rocker box ... | 6 | |
| 31 | 70-3302 | Washer ... | 6 | |
| 32 | 14-0301 | Nut ... | 6 | |
| 33 | 21-2206 | Bolt—rocker box ... | 4 | |
| 34 | 21-1875 | Bolt—rocker box ... | 4 | |
| 35 | 60-4248 | Washer ... | 4 | |
| 36 | 21-2197 | Stud ... | 2 | } Torque stay |
| 37 | 37-2338 | Distance piece ... | 2 | |
| 38 | 60-2331 | Washer ... | 2 | |
| 39 | 14-1303 | Nut ... | 2 | |
| 40 | 71-2599 | Rocker box gasket ... | 2 | |
| 41 | 71-3668 | Inlet rocker box ... | 1 | |
| 42 | 71-3669 | Exhaust rocker box ... | 1 | |
| 43 | 71-3671 | Tappet inspection cover ... | 2 | |
| 44 | 71-3673 | Gasket ... | 2 | |
| 45 | 71-3549 | Rocker spindle ... | 2 | |
| 46 | 60-3548 | Sealing ring ... | 2 | |



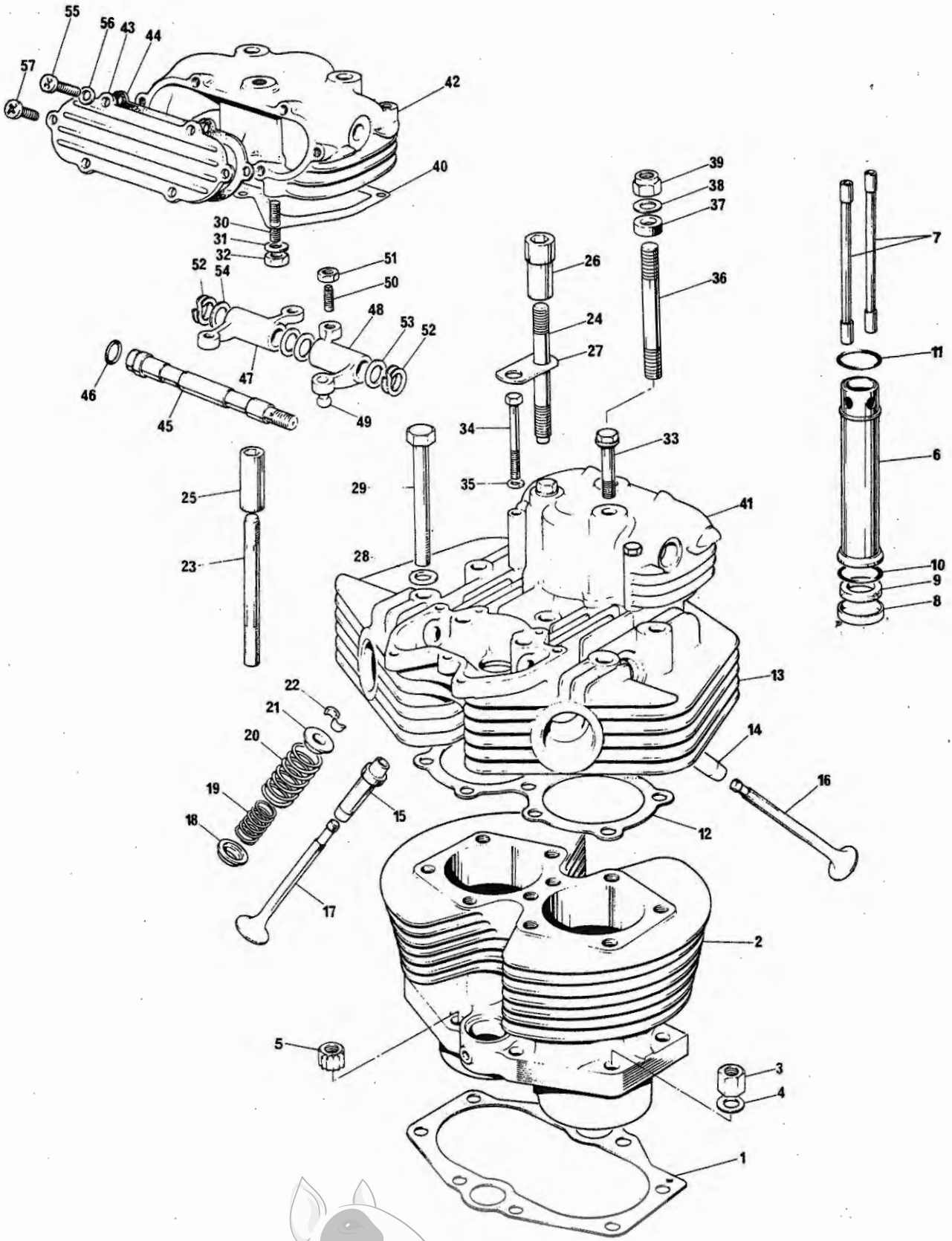


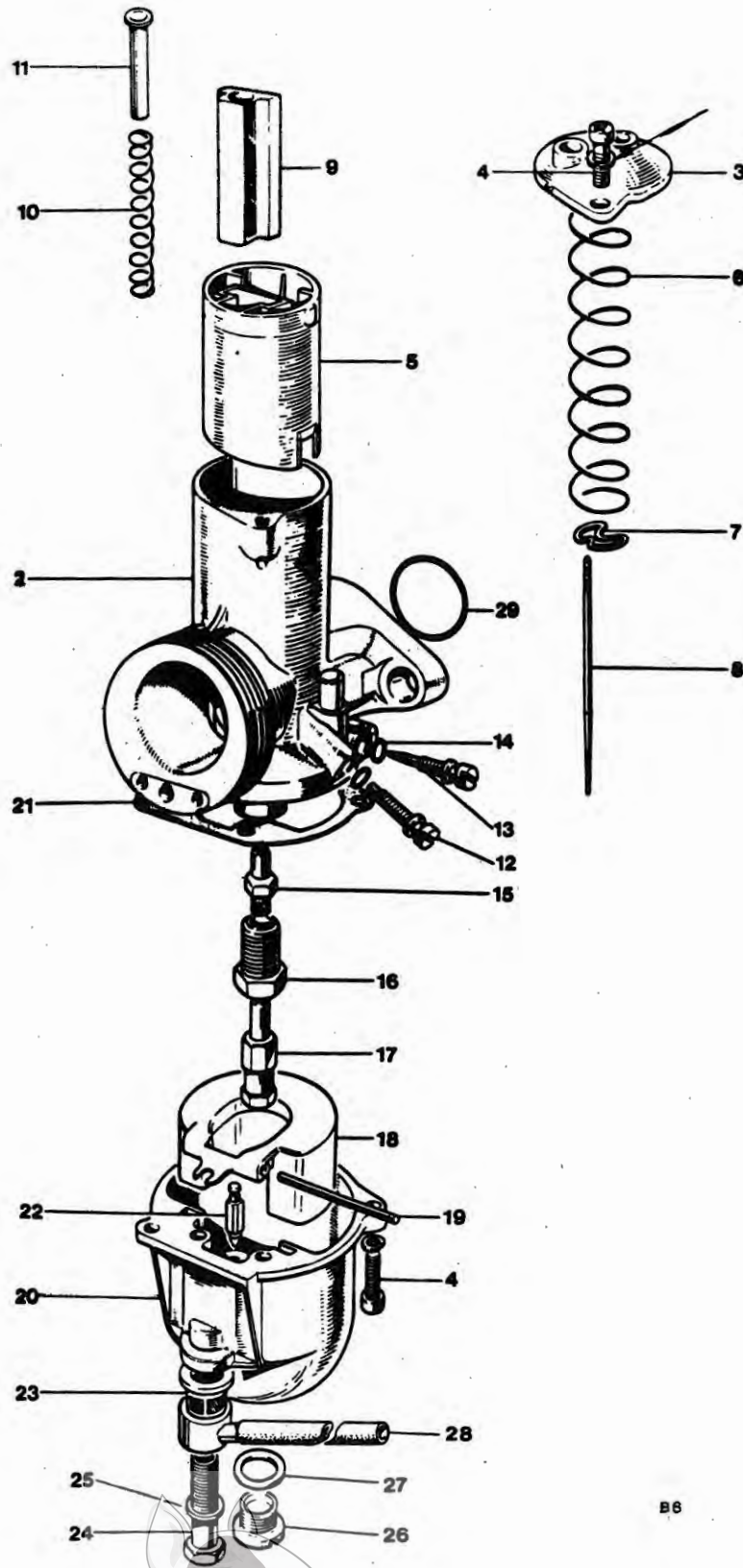
Fig. 7. CYLINDER BLOCK AND HEAD, T140V

CLASSIC
BIKE SPARES

CYLINDER BLOCK AND HEAD, T140V (continued).

| | | | | | | | | |
|----|---------|------------------------------------|-----|-----|-----|-----|-----|----|
| 47 | 70-1457 | Rocker (right exhaust, left inlet) | ... | ... | ... | ... | ... | 2 |
| 48 | 70-1458 | Rocker (left exhaust, right inlet) | ... | ... | ... | ... | ... | 2 |
| 49 | 71-8070 | Ball pin | ... | ... | ... | ... | ... | 4 |
| 50 | 70-1513 | Adjusting pin | ... | ... | ... | ... | ... | 4 |
| 51 | 70-0470 | Lock nut | ... | ... | ... | ... | ... | 4 |
| 52 | 70-1574 | Spring washer | ... | ... | ... | ... | ... | 4 |
| 53 | 70-1575 | Thrust washer (1/2 in.) | ... | ... | ... | ... | ... | 6 |
| 54 | 70-1330 | Thrust washer (3/8 in.) | ... | ... | ... | ... | ... | 2 |
| 55 | 14-6103 | Set screw | ... | ... | ... | ... | ... | 4 |
| 56 | 60-3963 | Washer | ... | ... | ... | ... | ... | 12 |
| 57 | 14-6606 | Set screw | ... | ... | ... | ... | ... | 8 |





B6

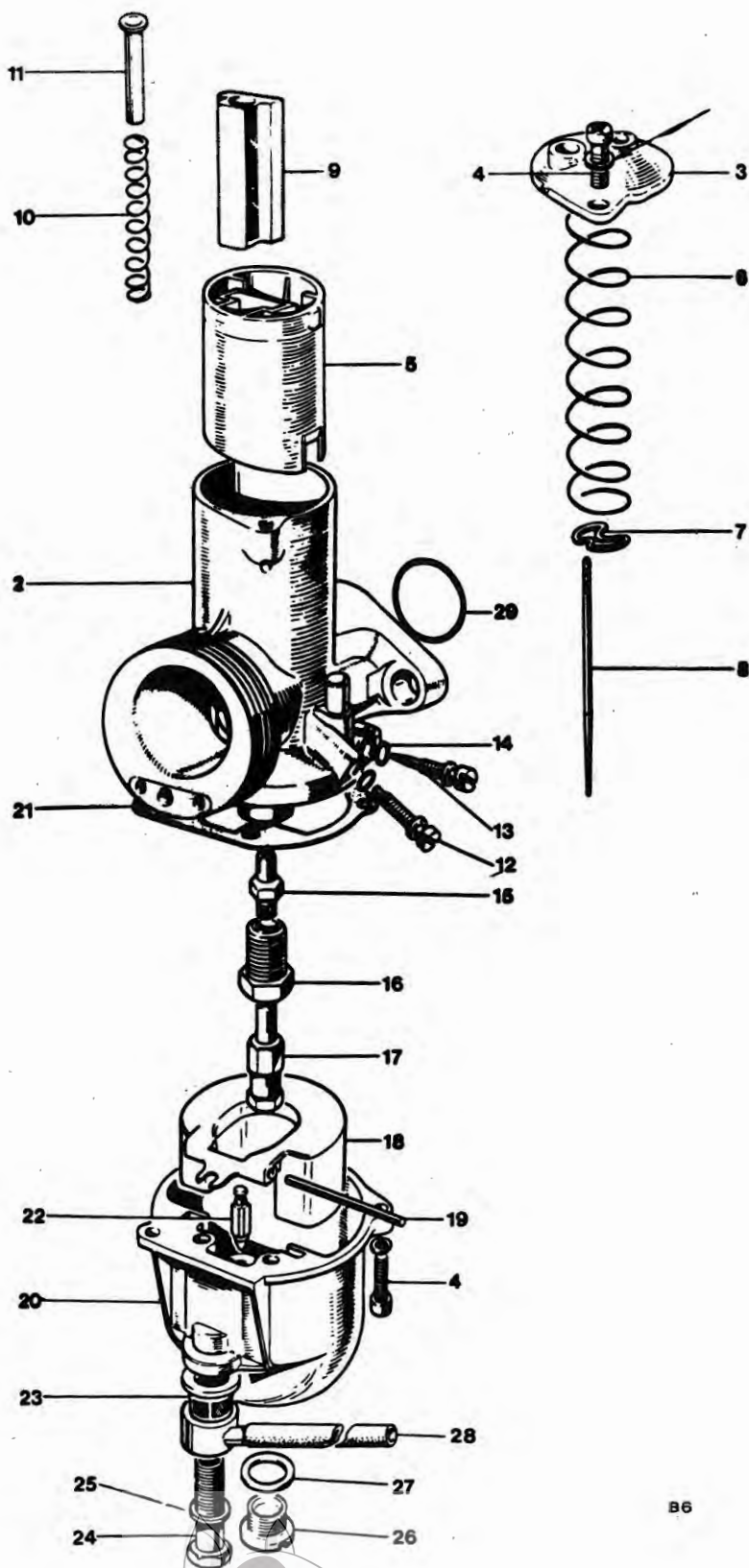
CLASSIC
BIKE SPARES

Fig. 8. AMAL CARBURETOR, TR7RV

CARBURETOR TR7RV

| | | | | |
|----|----------------|---------------------------------------|---|--|
| 1 | 60-2183 | CARBURETOR (R930/89) less "O" ring | 1 | |
| 2 | Reference only | Mixing chamber (930/005) | 1 | |
| 3 | 928/098 | Mixing chamber top (99-1032) | 1 | |
| 4 | 622/086 | Screw (99-0521) | 4 | |
| 5 | 928/060 | Throttle valve (3½ cutaway) (99-0527) | 1 | |
| 6 | 622/131 | Throttle return spring (99-1033) | 1 | |
| 7 | 622/067 | Needle clip (99-0510) | 1 | |
| 8 | 622/124 | Needle (99-1036) | 1 | |
| 9 | 928/062 | Air slide (99-0528) | 1 | |
| 10 | 622/129 | Spring (99-1038) | 1 | |
| 11 | 928/103 | Air valve guide sleeve (99-1037) | 1 | |
| 12 | 622/077 | Throttle stop screw (99-0516) | 1 | |
| 13 | 622/076 | Air adjusting screw (99-0515) | 1 | |
| 14 | 622/082 | "O" ring (99-0520) | 2 | |
| 15 | 622/122 | Needle jet (0-106) (99-1035) | 1 | |
| 16 | 622/128 | Jet holder (99-1034) | 1 | |
| 17 | 376/100 | Main jet (280) (99-0455) | 1 | |
| 18 | 622/069 | Float (99-0512) | 1 | |
| 19 | 622/071 | Float spindle (99-0513) | 1 | |
| 20 | 622/055 | Float chamber (99-0506) | 1 | |
| 21 | 622/073 | Joint washer (99-0514) | 1 | |
| 22 | 622/068 | Needle (99-0511) | 1 | |
| 23 | 376/093 | Filter (99-0438) | 1 | |
| 24 | 622/078 | Banjo bolt (99-0517) | 1 | |
| 25 | 13/163 | Fibre washer (99-1124) | 1 | |
| 26 | 622/147 | Drain plug (99-1152) | 1 | |
| 27 | 622/151 | Washer (99-1153) | 1 | |
| 28 | 83-4887 | Petrol pipe | 1 | |
| 29 | 70-9711 | "O" ring | 1 | |





B6

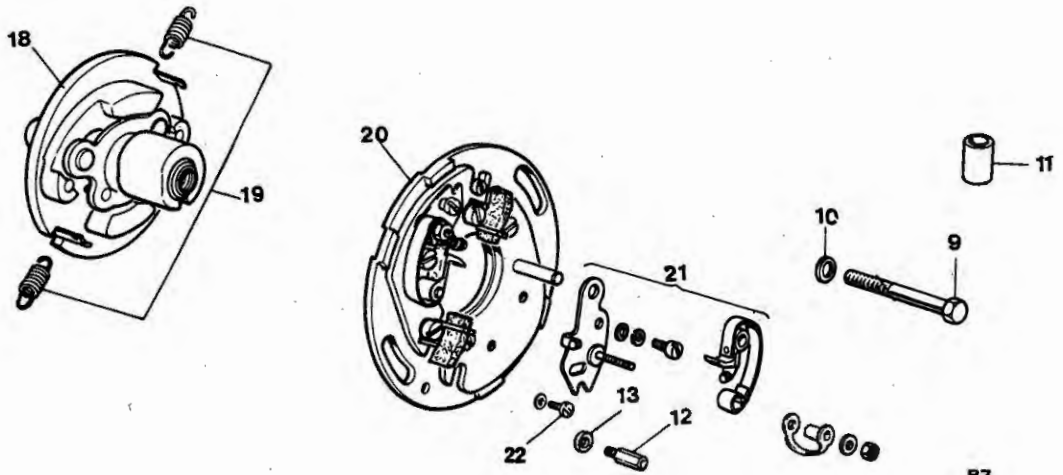
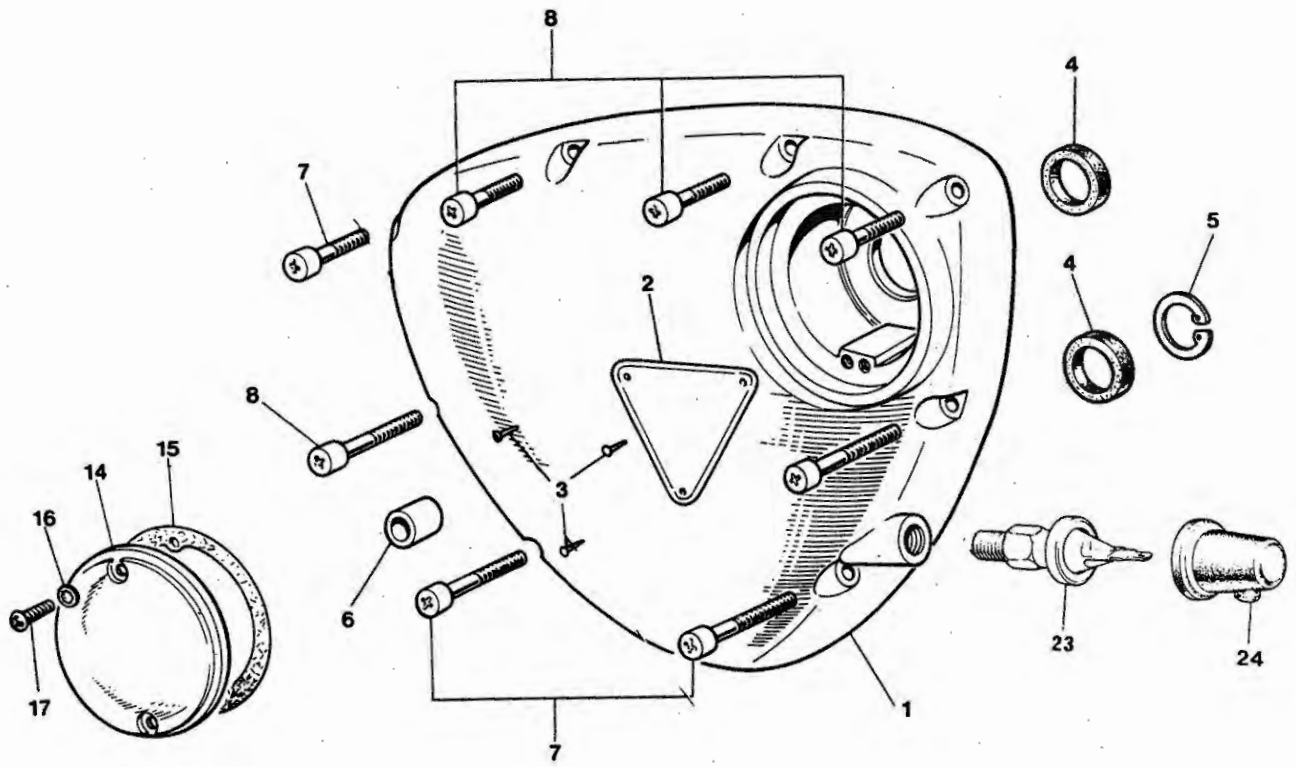
Fig. 9. AMAL CARBURETOR, TI40V

CLASSIC
BIKE SPARES

CARBURETOR T140V

| | | | | | | | |
|----|----------------|--|-----------------|-----|-----|---|-------------------|
| 1 | 60-4305 | CARBURETOR—L.H. (R930/93) | } Less "O" ring | ... | ... | 1 | |
| 1 | 60-4306 | CARBURETOR—R.H. (R930/92) | | ... | ... | 1 | |
| 2 | Reference only | Mixing chamber (L930/005 and R930/005) | ... | ... | ... | 1 | } Each carburetor |
| 3 | 928/098 | Mixing chamber top (99-1032) | ... | ... | ... | 1 | |
| 4 | 622/086 | Screw (99-0521) | ... | ... | ... | 4 | |
| 5 | 928/060 | Throttle valve (3 cutaway) (99-0527) | ... | ... | ... | 1 | |
| 6 | 622/131 | Throttle return spring (99-1033) | ... | ... | ... | 1 | |
| 7 | 622/067 | Needle clip (99-0510) | ... | ... | ... | 1 | |
| 8 | 622/124 | Needle (99-1036) | ... | ... | ... | 1 | |
| 9 | 928/062 | Air slide (99-0528) | ... | ... | ... | 1 | |
| 10 | 622/129 | Spring (99-1038) | ... | ... | ... | 1 | |
| 11 | 928/103 | Air valve guide sleeve (99-1037) | ... | ... | ... | 1 | |
| 12 | 622/077 | Throttle stop screw (99-0516) | ... | ... | ... | 1 | |
| 13 | 622/076 | Air adjusting screw (99-0515) | ... | ... | ... | 1 | |
| 14 | 622/082 | "O" ring (99-0520) | ... | ... | ... | 2 | |
| 15 | 622/122 | Needle jet (0-106) (99-1035) | ... | ... | ... | 1 | |
| 16 | 622/128 | Jet holder (99-1034) | ... | ... | ... | 1 | |
| 17 | 376/100 | Main jet (210) (99-0448) | ... | ... | ... | 1 | |
| 18 | 622/069 | Float (99-0512) | ... | ... | ... | 1 | |
| 19 | 622/071 | Float spindle (99-0513) | ... | ... | ... | 1 | |
| 20 | 622/055 | Float chamber (99-0506) | ... | ... | ... | 1 | |
| 21 | 622/073 | Joint washer (99-0514) | ... | ... | ... | 1 | |
| 22 | 622/068 | Needle (99-0511) | ... | ... | ... | 1 | |
| 23 | 376/093 | Filter (99-0438) | ... | ... | ... | 1 | |
| 24 | 622/078 | Banjo bolt (99-0517) | ... | ... | ... | 1 | |
| 25 | 13/163 | Fibre washer (99-1124) | ... | ... | ... | 1 | |
| 26 | 622/147 | Drain plug (99-1152) | ... | ... | ... | 1 | |
| 27 | 622/151 | Washer (99-1153) | ... | ... | ... | 1 | |
| 28 | 83-3927 | Petrol pipe | ... | ... | ... | 1 | |
| 29 | 70-9711 | "O" ring | ... | ... | ... | 2 | |





B7

Fig. 10. TIMING COVER AND CONTACT BREAKER

TIMING COVER AND CONTACT BREAKER

| Ref. No. | Part No. | DESCRIPTION | QUANTITY | REMARKS |
|------------|----------|---|----------|-------------------------|
| 1 | 70-9246 | Timing cover | 1 | |
| 2 | 70-4016 | Patent plate | 1 | |
| 3 | 60-4255 | Hammer-drive screw | 3 | |
| 4 | 70-4568 | Oil seal | 2 | |
| 4 | 70-6387 | Oil seal (0.020 in. undersize) | 2 | For reground crankshaft |
| 5 | 70-4569 | Circlip | 1 | |
| 6 | 57-0989 | Hollow dowel | 1 | |
| 7 | 14-6609 | Screw | 3 | |
| 8 | 14-6608 | Screw | 5 | |
| 9 | 14-0208 | Bolt | 1 | |
| 10 | 70-8163 | Plain washer | 1 | |
| 11 | 70-4707 | Rubber grommet | 1 | |
| 12 | 70-7680 | Pillar bolt | 2 | |
| 13 | 70-6559 | Plain washer | 2 | |
| 14 | 70-8737 | Cover | 1 | |
| 15 | 71-1462 | Joint washer | 1 | |
| 16 | 60-4256 | Serrated washer | 2 | |
| 17 | 70-7354 | Screw (1/2 in. U.H.) | 2 | |
| 18 | 54425657 | AUTO ADVANCE UNIT (99-1263) | 1 | |
| 19 | 54412229 | Spring set (99-1264) | 1 | |
| 20 | 54425160 | CONTACT BREAKER PLATE ASSEMBLY (99-1265) | 1 | |
| 21 | 60600271 | Contact set (99-1266) | 2 | |
| 22 | 54419220 | Pin, adjustment (99-0769) | 2 | |
| 23 | 60-3719 | Oil pressure switch | 1 | |
| 24 | 71-2930 | Cover pressure switch | 1 | |
| Not illus. | 60-2138 | Timing label for C.B. cover | 1 | |



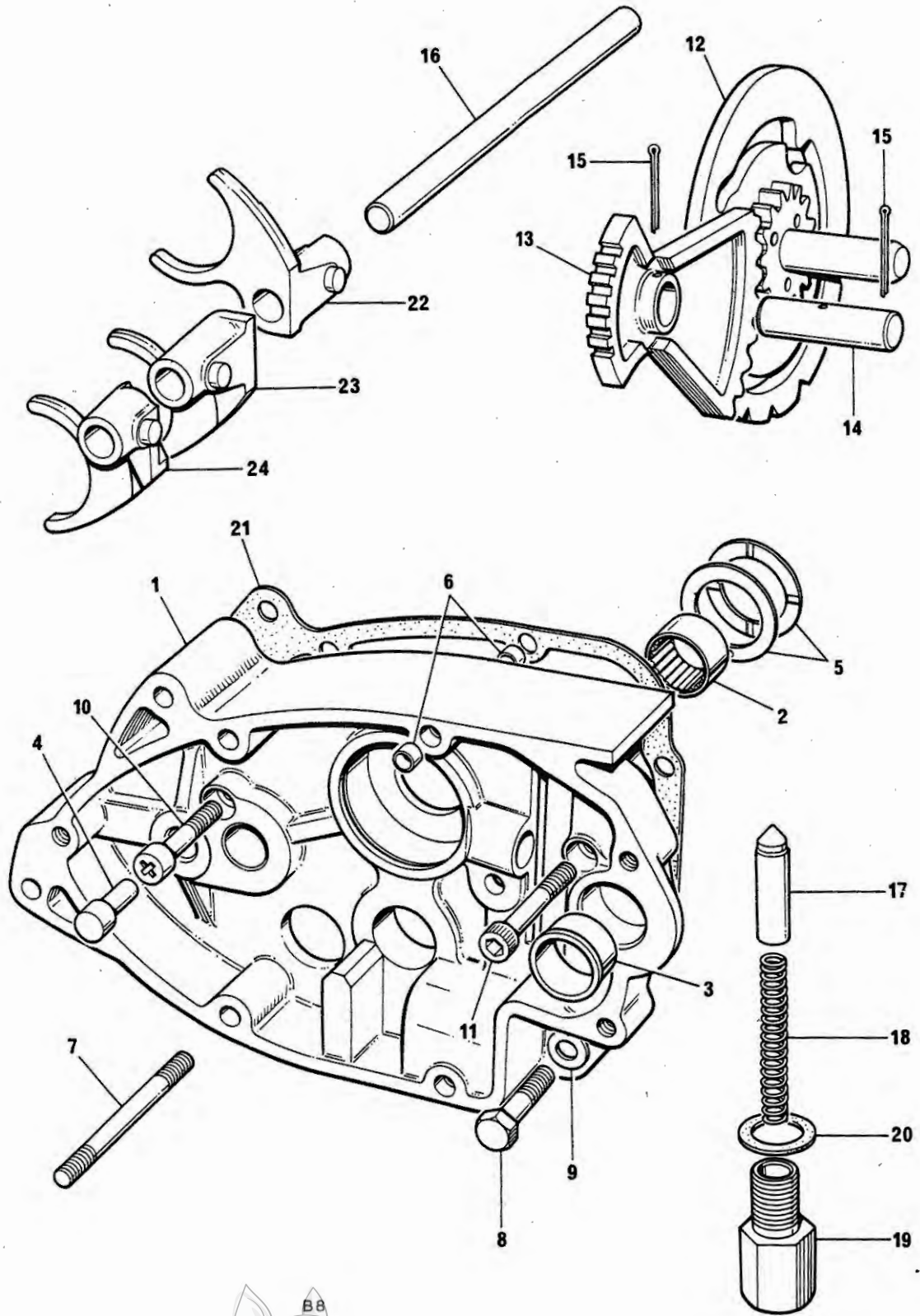


Fig. 11 GEARBOX INNER COVER AND SELECTORS

GEARBOX INNER COVER AND SELECTORS

| Ref. No. | Part No. | DESCRIPTION | QUANTITY | REMARKS |
|----------|----------|---|----------|----------------|
| 1 | 57-4795 | GEARBOX INNER COVER | 1 | |
| 2 | 57-1614 | Layshaft bearing | 1 | |
| 3 | 57-0412 | Gearchange spindle bush... .. | 1 | |
| 4 | 57-0045 | Kickstart stop | 1 | |
| 5 | 57-1607 | Thrust washer | 2 | |
| 6 | 57-0989 | Hollow dowel | 4 | |
| 7 | 21-2149 | Stud | 2 | |
| 8 | 21-1907 | Bolt | 1 | |
| 9 | 70-3446 | Washer | 1 | |
| 10 | 14-6608 | Screw | 1 | |
| 11 | 14-7023 | Screw | 1 | |
| 12 | 57-4624 | Camplate | 1 | |
| 13 | 57-4363 | Operating quadrant | 1 | |
| 14 | 57-1896 | Quadrant spindle | 1 | |
| 15 | — | Split pin ($\frac{5}{16}$ in. x $1\frac{3}{8}$ in.) | 1 | Reference only |
| 16 | 57-3989 | Selector fork rod | 1 | |
| 17 | 57-3660 | Index plunger | 1 | |
| 18 | 57-4459 | Plunger spring | 1 | |
| 19 | 57-4400 | Housing, index plunger | 1 | |
| 20 | 57-3978 | Washer | 1 | |
| 21 | 71-3096 | Joint washer, inner cover to crankcase | 1 | |
| 22 | 57-4364 | Selector fork - mainshaft 4th gear | 1 | |
| 23 | 57-4366 | Selector fork - layshaft 3rd gear | 1 | |
| 24 | 57-4660 | Selector fork - layshaft 1st gear | 1 | |

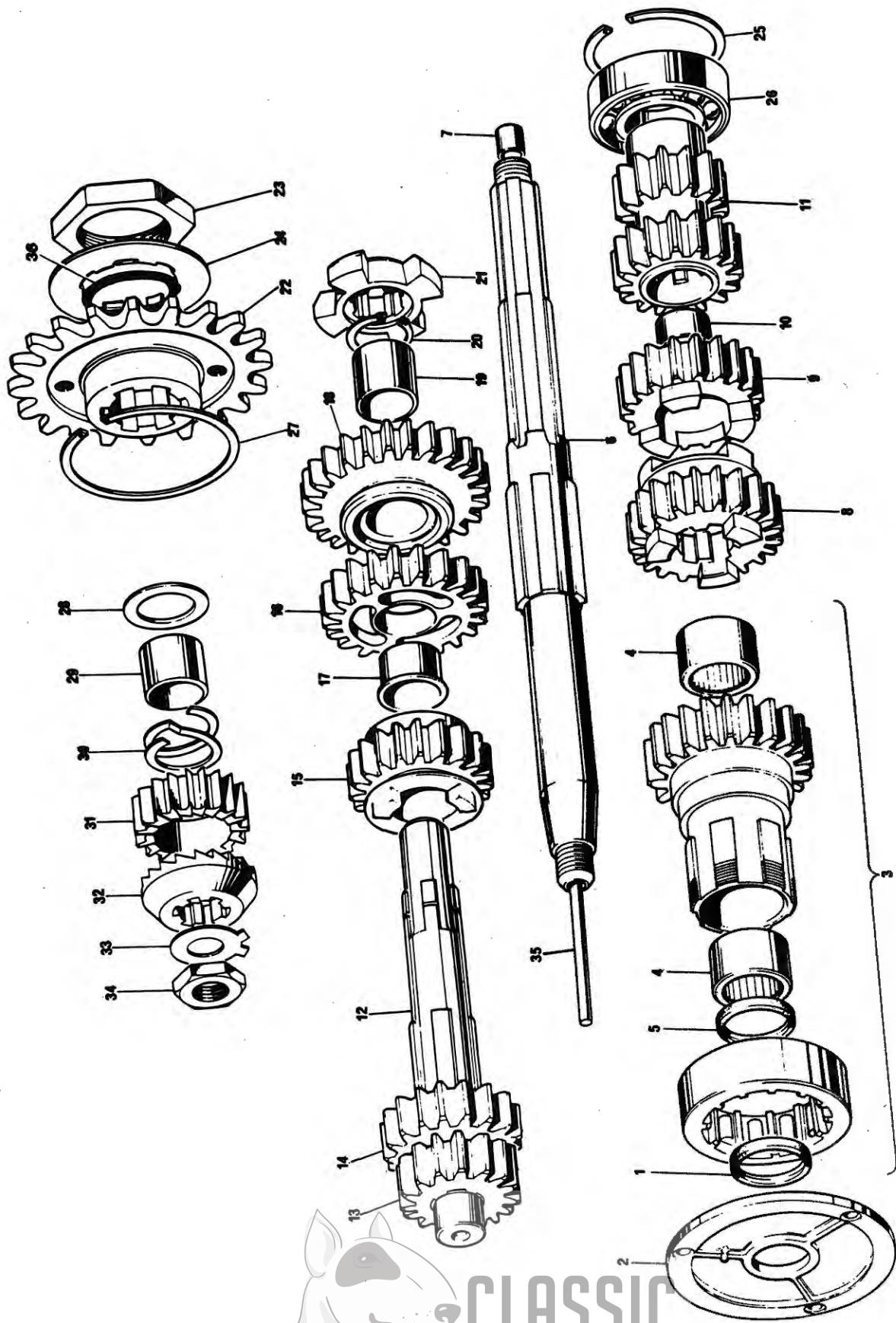


Fig. 12 GEARBOX SHAFTS AND GEARS (5 SPEED)

GEARBOX SHAFTS AND GEARS

| | | | | |
|------------|---------|---|---|----------------|
| 1 | 60-3500 | Oil seal, cover plate | 1 | |
| 2 | 70-3789 | Cover plate | 1 | |
| 3 | 57-4781 | MAINSHAFT HIGH GEAR ASSEMBLY (C/W HIGH GEAR BEARING) | 1 | |
| 4 | 60-3511 | Needle roller bearing | 2 | |
| 5 | 60-3500 | Oil seal, high gear | 1 | |
| 6 | 57-4432 | MAINSHAFT | 1 | |
| 7 | 57-3988 | Bush | 1 | |
| 8 | 57-4376 | Mainshaft 4th gear | 1 | |
| 9 | 57-4377 | MAINSHAFT 3rd GEAR | 1 | |
| 10 | 57-4575 | Bush | 1 | Reference only |
| 11 | 57-4653 | Mainshaft 1st and 2nd gear | 1 | |
| 12 | 57-4900 | LAYSHAFT | 1 | |
| 13 | 57-4550 | Layshaft high gear | 1 | Reference only |
| 14 | 57-4384 | Layshaft 4th gear | 1 | Reference only |
| 15 | 57-4647 | Layshaft 3rd gear | 1 | |
| 16 | 57-4657 | LAYSHAFT 2nd GEAR | 1 | |
| 17 | 57-4662 | Bush | 1 | |
| 18 | 57-4654 | LAYSHAFT 1st GEAR | 1 | |
| 19 | 57-4663 | Bush | 1 | |
| 20 | 60-3494 | Circlip | 1 | |
| 21 | 57-4661 | Driving dog | 1 | |
| 22 | 57-4782 | Gearbox sprocket - 20T | 1 | |
| 23 | 57-4396 | Locknut | 1 | |
| 24 | 57-4909 | Lock washer | 1 | |
| Not illus. | 60-3512 | Oil seal, gearbox | 1 | |
| 25 | 70-0489 | Circlip | 1 | |
| 26 | 60-3552 | Mainshaft bearing | 1 | |
| 27 | 57-4113 | Circlip | 1 | |
| 28 | 57-1962 | Washer | 1 | |
| 29 | 57-1963 | Pinion sleeve | 1 | |
| 30 | 57-1250 | Pinion spring | 1 | |
| 31 | 57-0730 | Kickstart pinion | 1 | |
| 32 | 57-0731 | Kickstart ratchet | 1 | |
| 33 | 57-2240 | Tab washer | 1 | |
| 34 | 21-0594 | Nut | 1 | |
| 35 | 57-1736 | Clutch operating rod | 1 | |
| 36 | 71-1070 | "O" ring, gearbox sprocket | 1 | |



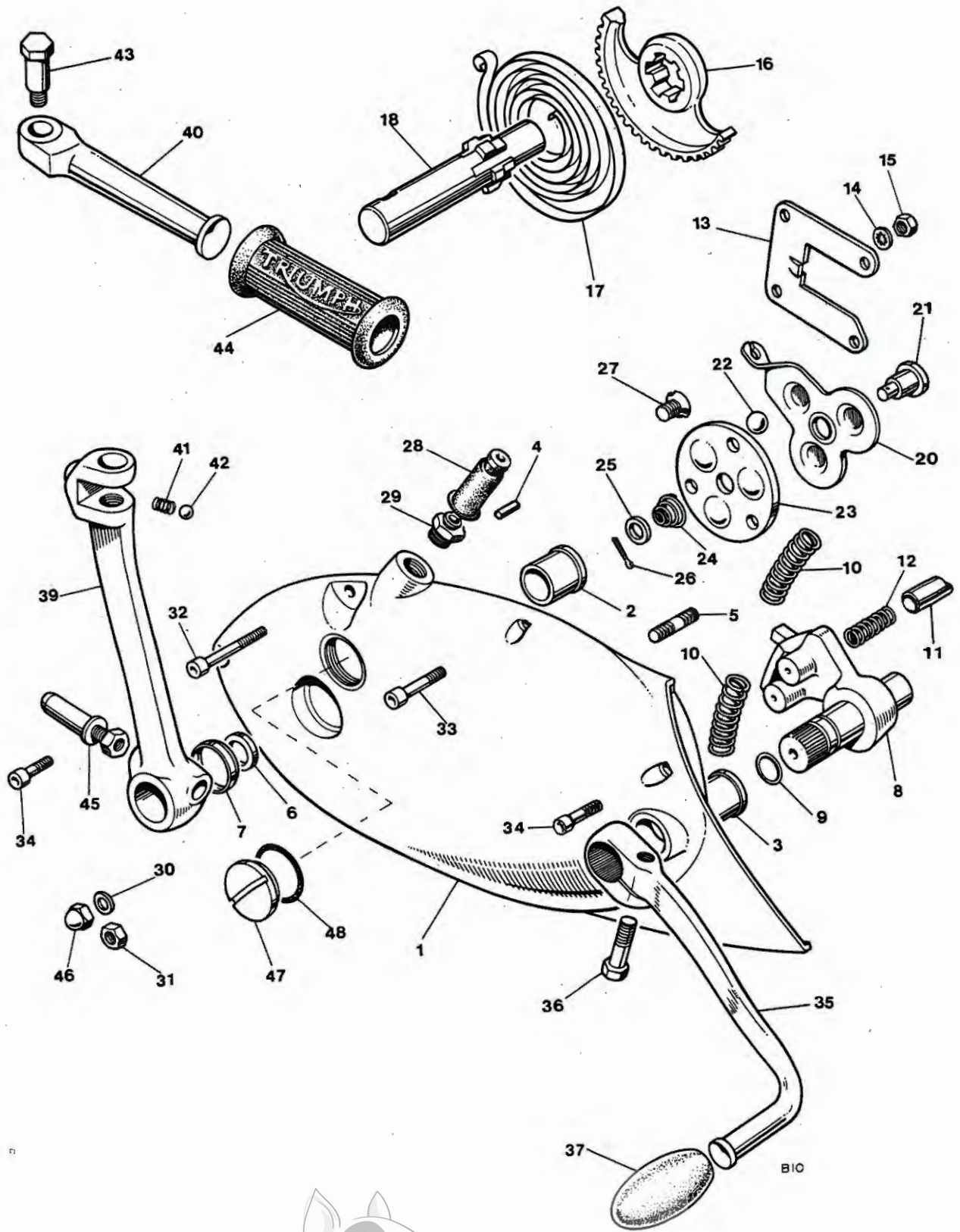
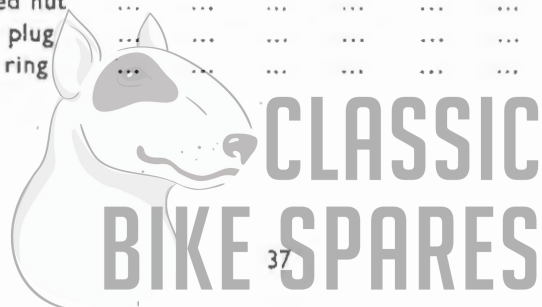


Fig. 13. GEARBOX OUTER COVER

GEARBOX OUTER COVER

| | | | | |
|----|---------|---|---|----------------|
| 1 | 57-3760 | GEARBOX OUTER COVER | 1 | |
| 2 | 57-0023 | Kickstarter spindle bush | 1 | |
| 3 | 57-0057 | Gearchange spindle bush | 1 | |
| 4 | 57-0047 | Kickstarter spring anchor pin | 1 | |
| 5 | 21-0547 | Guide plate stud | 4 | |
| 6 | 57-1956 | Oil seal | 1 | |
| 7 | 57-1955 | Oil seal housing | 1 | |
| 8 | 57-4910 | Gearchange quadrant | 1 | |
| 9 | 60-3530 | Rubber "O" ring | 1 | |
| 10 | 57-0404 | Quadrant return spring | 2 | |
| 11 | 57-0406 | Gearchange quadrant plunger | 2 | |
| 12 | 57-0405 | Plunger spring | 2 | |
| 13 | 57-0407 | Guide plate | 1 | |
| 14 | 70-1612 | Serrated washer | 4 | |
| 15 | 14-0301 | Nut | 4 | |
| 16 | 57-4117 | Kickstarter quadrant | 1 | |
| 17 | 57-0031 | Kickstarter return spring | 1 | |
| 18 | 57-0024 | Kickstarter axle | 1 | |
| 19 | 57-4587 | CLUTCH LEVER ASSEMBLY | 1 | |
| 20 | 57-4588 | Clutch lever | 1 | |
| 21 | 57-1710 | Lever shaft | 1 | |
| 22 | 60-2368 | Ball, $\frac{3}{8}$ in. diam. | 3 | |
| 23 | 57-4589 | Thrust plate | 1 | |
| 24 | 57-1712 | Return spring | 1 | |
| 25 | 57-3673 | Plain washer | 1 | |
| 26 | — | Split pin ($\frac{5}{16}$ in. x $\frac{1}{2}$ in.) | 1 | Reference only |
| 27 | 21-1879 | Countersunk screw | 2 | |
| 28 | 57-1646 | Rubber cap | 1 | |
| 29 | 57-3762 | Abutment for clutch cable | 1 | |
| 30 | 60-4247 | Plain washer | 2 | |
| 31 | 14-0302 | Nut | 1 | |
| 32 | 21-2162 | Screw | 2 | |
| 33 | 14-6609 | Screw | 2 | |
| 34 | 14-6608 | Screw | 1 | |
| 35 | 57-3757 | Gearchange pedal | 1 | |
| 36 | 14-0201 | Bolt | 1 | |
| 37 | 57-2450 | Pedal rubber | 1 | |
| 38 | 57-3632 | FOLDING KICKSTARTER | 1 | |
| 39 | 57-2173 | Kickstarter lever | 1 | |
| 40 | 57-1272 | Kickstarter pedal | 1 | |
| 41 | 57-1167 | Pedal locating spring | 1 | |
| 42 | 60-2364 | Steel ball, $\frac{1}{4}$ in. diam. | 1 | |
| 43 | 21-0541 | Pedal bolt | 1 | |
| 44 | 57-2330 | Pedal rubber | 1 | |
| 45 | 57-4356 | Cotter pin c/w nut and washer | 1 | |
| 46 | 21-0544 | Domed nut | 1 | |
| 47 | 57-2166 | Filler plug | 1 | |
| 48 | 70-8782 | "O" ring | 1 | |



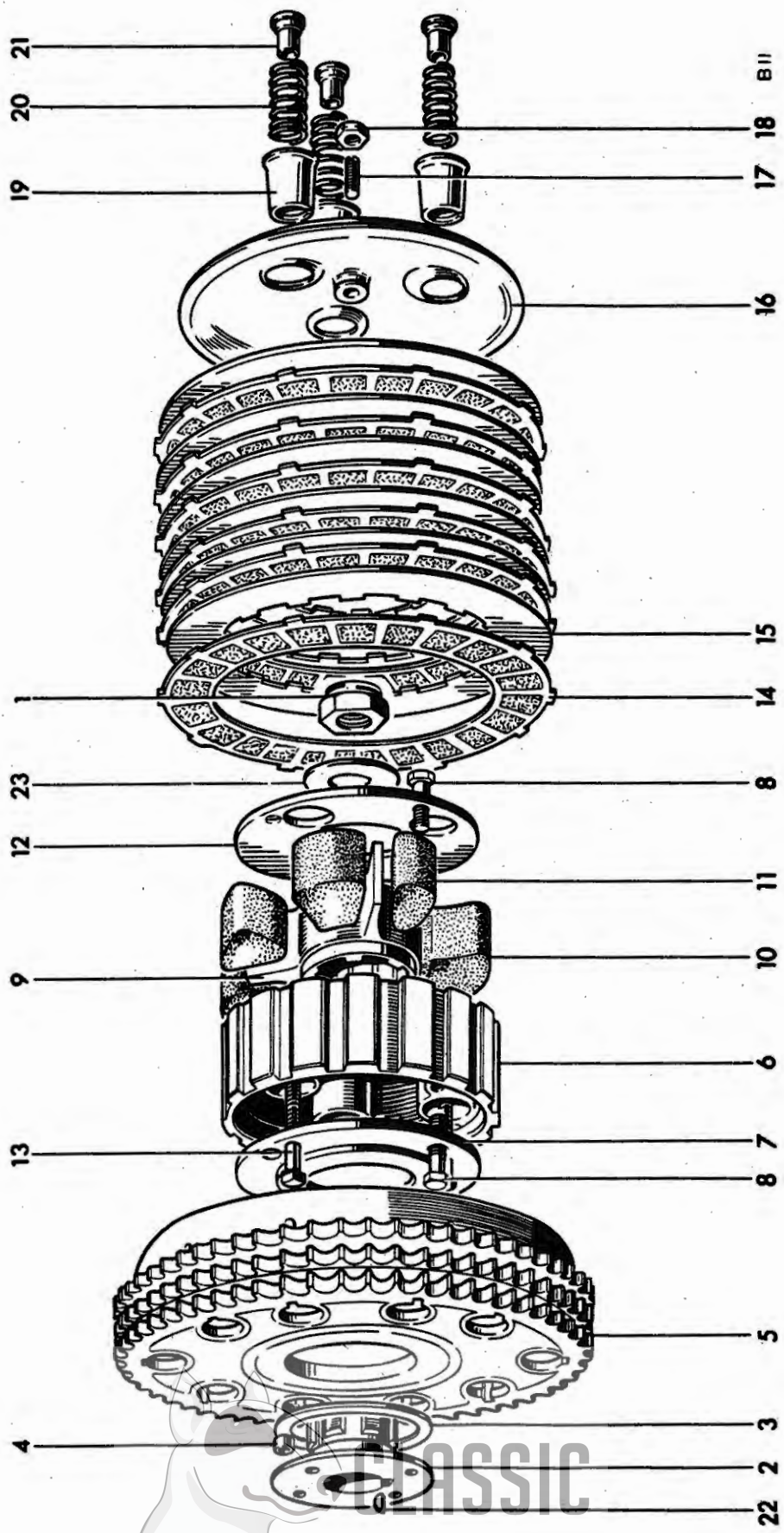
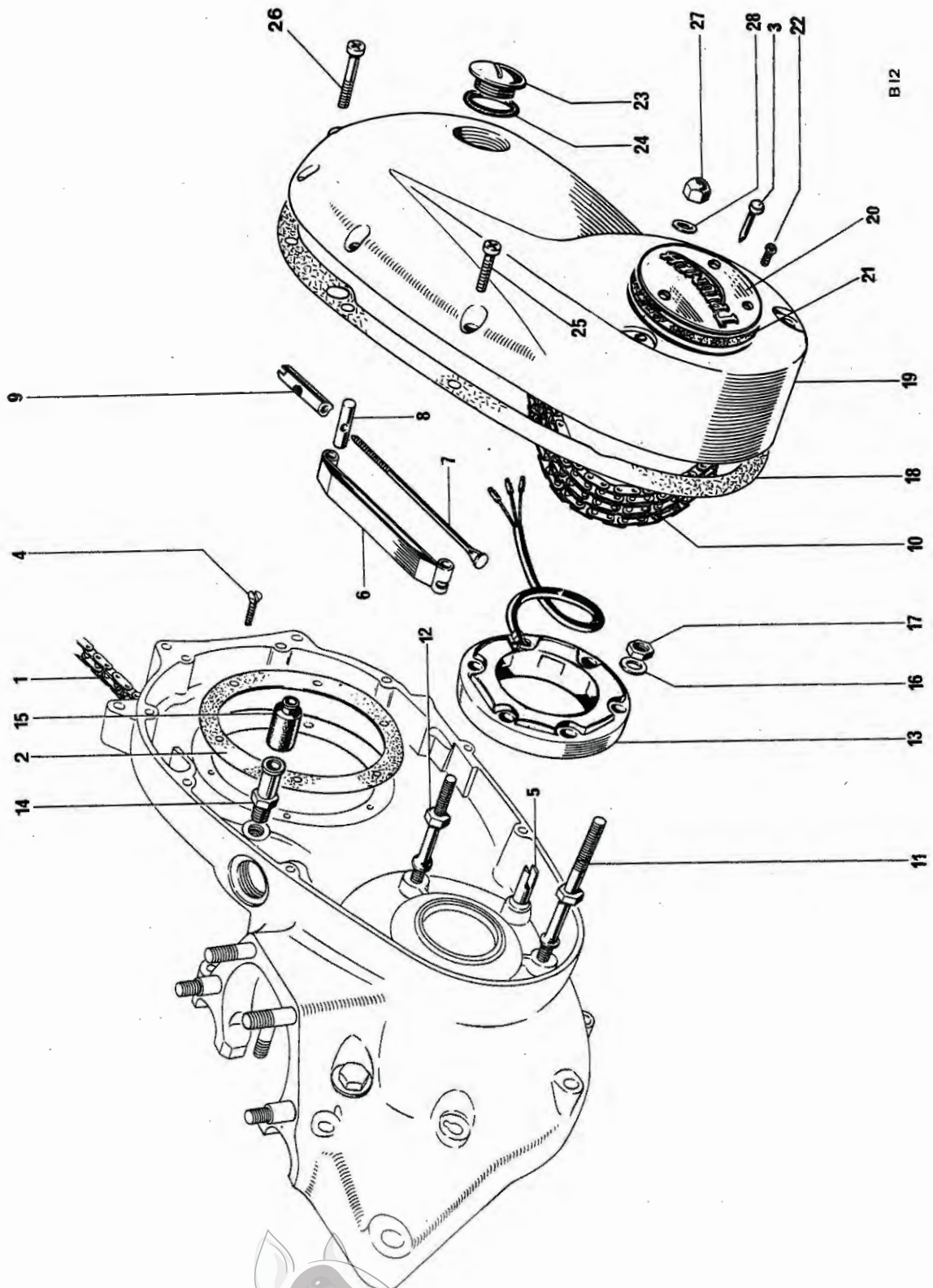


Fig. 14. CLUTCH

CLUTCH

| | | | | |
|----|---------|------------------------|----|--|
| 1 | 21-0586 | Clutch securing nut | 1 | |
| 2 | 57-3929 | Hub | 1 | |
| 3 | 57-3931 | Thrust washer | 1 | |
| 4 | 57-0394 | Roller | 20 | |
| 5 | 57-4640 | Sprocket and housing | 1 | |
| 6 | 57-4438 | Centre | 1 | |
| 7 | 57-4436 | Inner plate | 1 | |
| 8 | 21-2157 | Bolt | 3 | |
| 9 | 57-4636 | Shock absorber spider | 1 | |
| 10 | 57-1722 | Drive rubber (large) | 3 | |
| 11 | 57-1723 | Rebound rubber (small) | 3 | |
| 12 | 57-4437 | Outer plate | 1 | |
| 13 | 57-4754 | Screwed pin | 3 | |
| 14 | 57-1362 | Driving plate (bonded) | 6 | |
| 15 | 57-1363 | Driven plate | 6 | |
| 16 | 57-4590 | Pressure plate | 1 | |
| 17 | 57-2159 | Adjuster pin | 1 | |
| 18 | 14-0403 | Nut | 1 | |
| 19 | 57-1931 | Spring cup | 3 | |
| 20 | 57-4644 | Spring | 3 | |
| 21 | 57-2526 | Pressure nut | 3 | |
| 22 | 60-4253 | Key | 1 | |
| 23 | 57-4794 | Washer | 1 | |





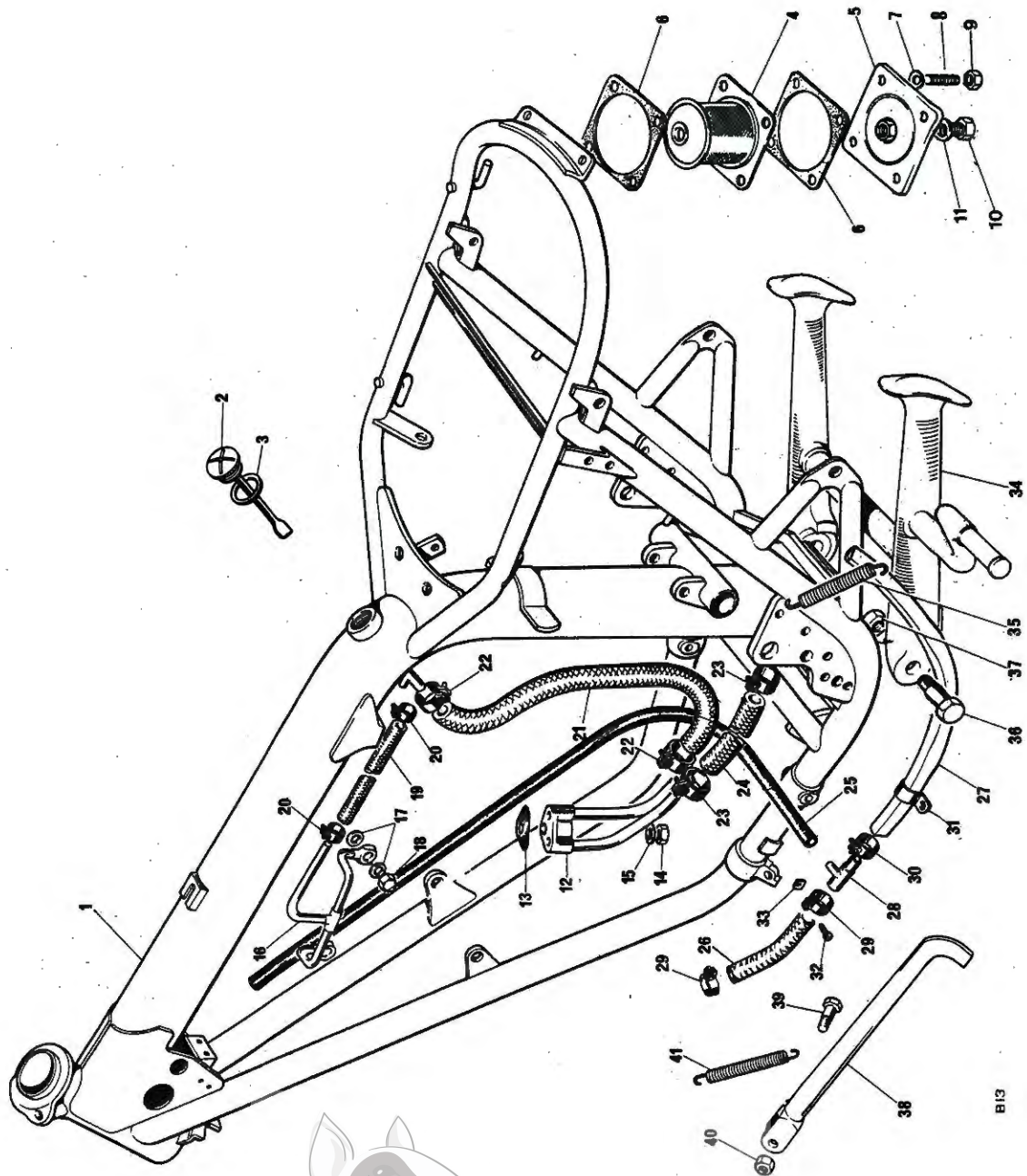
B12

FIG. 15. CHAINCASE AND CHAINS

CHAINCASE AND CHAINS

| Ref. No. | Part No. | Description | Quantity | Remarks |
|----------|----------|--|----------|------------------------------------|
| 1 | 60-2118 | Rear chain, $\frac{5}{8}$ in. x $\frac{3}{8}$ in. x 107 links | 1 | |
| 2 | 71-1419 | Joint washer | 1 | |
| 3 | 57-4643 | Timing pointer | 1 | |
| 4 | 70-3821 | Countersunk screw | 6 | |
| 5 | 70-5976 | Chain tensioner abutment | 1 | (also listed with crankcase group) |
| 6 | 70-5085 | Chain tensioner blade | 1 | |
| 7 | 70-4152 | Tie rod | 1 | |
| 8 | 70-5087 | Trunnion | 1 | |
| 9 | 70-9703 | Adjuster sleeve nut | 1 | |
| 10 | 60-4125 | Primary chain, $\frac{3}{8}$ in. Triplex x 84 links | 1 | |
| 11 | 21-2199 | Stator stud | 2 | |
| 12 | 21-2198 | Stator stud | 1 | |
| 13 | 47205 | Stator, RM21 (99-1006) | 1 | |
| 14 | 70-9360 | Sleeve nut | 1 | |
| 15 | 70-4144 | Rubber grommet | 1 | |
| 16 | 60-4247 | Plain washer | 3 | |
| 17 | 14-0702 | Self-locking nut | 3 | |
| 18 | 71-1463 | Joint washer | 1 | |
| 19 | 71-3555 | Chaincase | 1 | |
| 20 | 57-2440 | Rotor cover | 1 | |
| 21 | 71-1457 | Joint washer | 1 | |
| 22 | 57-4672 | Screw | 3 | |
| 23 | 57-2166 | Filler plug | 1 | |
| 24 | 70-8782 | "O" ring | 1 | |
| 25 | 14-6608 | Screw | 6 | |
| 26 | 14-6620 | Screw | 2 | |
| 27 | 21-0544 | Domed nut | 2 | |
| 28 | 82-1880 | Copper washer | 2 | |





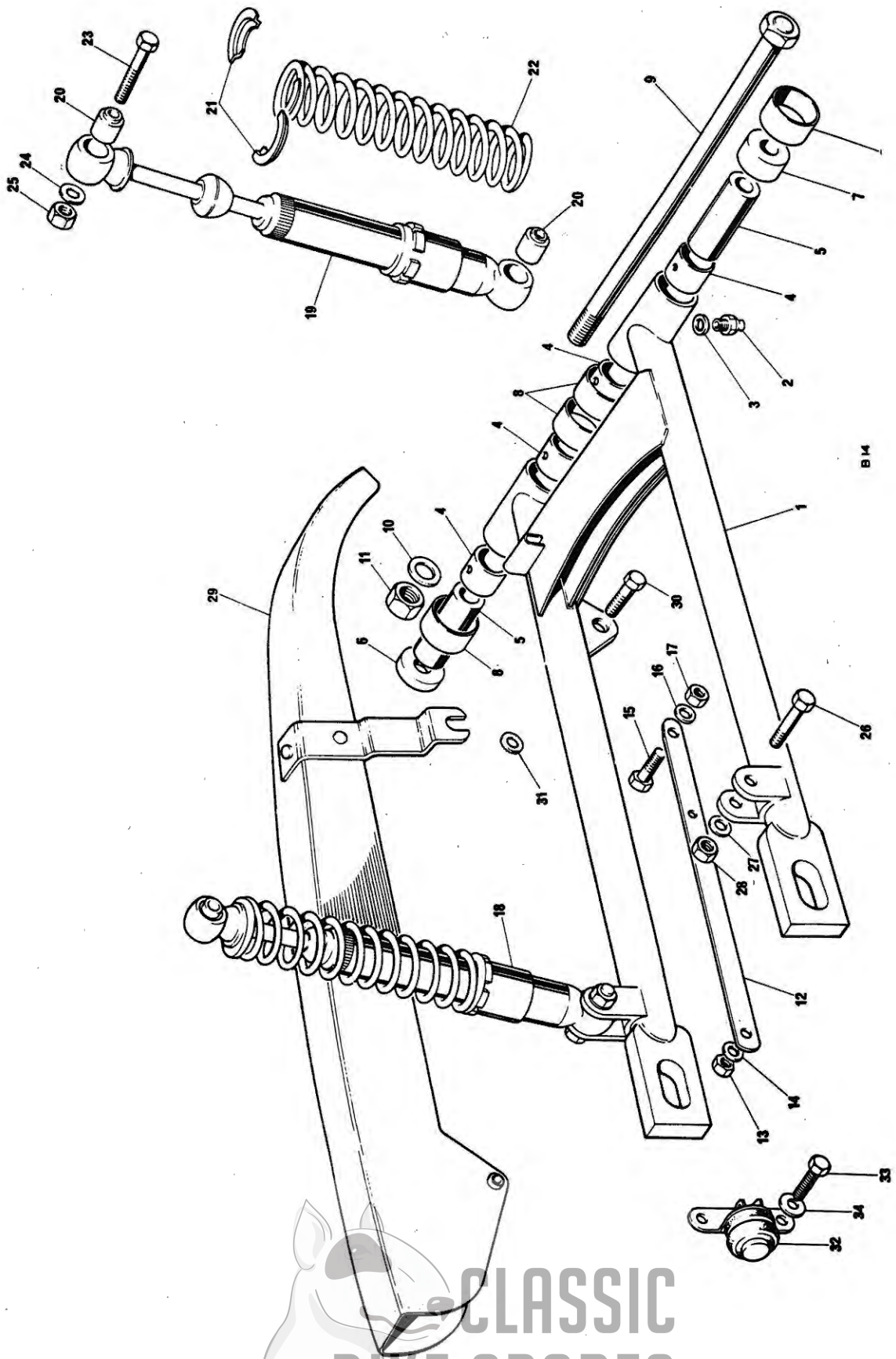
16. FRAME

B13

FRAME

| | | | | | | | | | | |
|------------|---------|-------------------------------|-------------------------------|-----|-----|-----|-----|-----|-----|---|
| 1 | 83-4753 | Frame | ... | ... | ... | ... | ... | ... | ... | 1 |
| 2 | 71-3463 | Oil filler cap | ... | ... | ... | ... | ... | ... | ... | 1 |
| 3 | 60-3616 | "O" ring | ... | ... | ... | ... | ... | ... | ... | 1 |
| 4 | 83-4783 | Oil filter | ... | ... | ... | ... | ... | ... | ... | 1 |
| 5 | 71-3316 | Sump plate | ... | ... | ... | ... | ... | ... | ... | 1 |
| 6 | 83-2829 | Gasket | ... | ... | ... | ... | ... | ... | ... | 2 |
| 7 | 60-2330 | Washer | } Sump plate to frame | ... | ... | ... | ... | ... | ... | 4 |
| 8 | 21-2025 | Stud | | ... | ... | ... | ... | ... | ... | 4 |
| 9 | 14-1302 | Nut | | ... | ... | ... | ... | ... | ... | 4 |
| 10 | 82-5343 | Drain plug | ... | ... | ... | ... | ... | ... | ... | 1 |
| 11 | 70-1335 | Joint washer | ... | ... | ... | ... | ... | ... | ... | 1 |
| 12 | 71-3478 | Oil junction block | ... | ... | ... | ... | ... | ... | ... | 1 |
| 13 | 71-3754 | Joint washer | ... | ... | ... | ... | ... | ... | ... | 1 |
| 14 | 21-1908 | Nut | } Junction block to crankcase | ... | ... | ... | ... | ... | ... | 1 |
| 15 | 70-3446 | Washer | | ... | ... | ... | ... | ... | ... | 1 |
| 16 | 71-3550 | Rocker oil pipe | ... | ... | ... | ... | ... | ... | ... | 1 |
| 17 | 70-1335 | Washer | ... | ... | ... | ... | ... | ... | ... | 4 |
| 18 | 21-0550 | Nut | ... | ... | ... | ... | ... | ... | ... | 2 |
| 19 | 71-3551 | Rocker feed pipe | ... | ... | ... | ... | ... | ... | ... | 1 |
| 20 | 70-6848 | Clip—rocker feed pipe | ... | ... | ... | ... | ... | ... | ... | 2 |
| 21 | 71-2345 | Oil return pipe | ... | ... | ... | ... | ... | ... | ... | 1 |
| 22 | 70-6848 | Clip—return pipe | ... | ... | ... | ... | ... | ... | ... | 2 |
| 23 | 82-9073 | Clip—feed pipe | ... | ... | ... | ... | ... | ... | ... | 2 |
| 24 | 71-3450 | Oil feed pipe | ... | ... | ... | ... | ... | ... | ... | 1 |
| 25 | 71-2349 | Oil vent pipe | ... | ... | ... | ... | ... | ... | ... | 1 |
| 26 | 83-5285 | Crankcase breather pipe—front | ... | ... | ... | ... | ... | ... | ... | 1 |
| 27 | 83-4813 | Crankcase breather pipe—rear | ... | ... | ... | ... | ... | ... | ... | 1 |
| 28 | 83-5290 | "T" piece | ... | ... | ... | ... | ... | ... | ... | 1 |
| 29 | 60-2252 | Clip—breather pipe—front | ... | ... | ... | ... | ... | ... | ... | 2 |
| 30 | 60-2252 | Clip—breather pipe—rear | ... | ... | ... | ... | ... | ... | ... | 1 |
| 31 | 83-1615 | Clip—breather pipe to fender | ... | ... | ... | ... | ... | ... | ... | 4 |
| 32 | 97-3894 | Screw | ... | ... | ... | ... | ... | ... | ... | 4 |
| 33 | 82-4717 | Nut | ... | ... | ... | ... | ... | ... | ... | 4 |
| 34 | 83-4615 | Centre stand | ... | ... | ... | ... | ... | ... | ... | 1 |
| 35 | 83-3793 | Spring | ... | ... | ... | ... | ... | ... | ... | 1 |
| 36 | 21-2077 | Pivot bolt | ... | ... | ... | ... | ... | ... | ... | 2 |
| 37 | 14-1304 | Nut | ... | ... | ... | ... | ... | ... | ... | 2 |
| 38 | 83-1560 | Prop stand | ... | ... | ... | ... | ... | ... | ... | 1 |
| 39 | 82-7021 | Bolt | ... | ... | ... | ... | ... | ... | ... | 1 |
| 40 | 14-1303 | Nut | ... | ... | ... | ... | ... | ... | ... | 1 |
| 41 | 82-8382 | Spring | ... | ... | ... | ... | ... | ... | ... | 1 |
| Not illus. | 60-3361 | Transfer "Made in England" | ... | ... | ... | ... | ... | ... | ... | 1 |
| Not illus. | 14-0114 | Bolt | } Prop stand stop | ... | ... | ... | ... | ... | ... | 1 |
| Not illus. | 14-0402 | Nut | | ... | ... | ... | ... | ... | ... | 1 |





B14

Fig. 17. SWINGING FORK AND SUSPENSION UNITS

CLASSIC
BIKE SPARES

SWINGING ARM AND SUSPENSION UNITS

| | | | | |
|----|----------|-------------------------------------|----------------|----------------------------------|
| 1 | 83-2513 | SWINGING ARM | 1 | |
| 2 | 60-1841 | Grease nipple | 2 | |
| 3 | 71-2501 | Washer, grease nipple | 2 | |
| 4 | 83-2521 | Bush, pivot arm | 4 | |
| 5 | 83-2691 | Sleeve, swinging arm pivot | 2 | |
| 6 | 83-2690 | Distance piece R.H. | 1 | |
| 7 | 83-2689 | Distance piece L.H. | 1 | |
| 8 | 83-2692 | Dirt excluder | 4 | |
| 9 | 21-2087 | Stud, swinging arm pivot | 1 | |
| 10 | 83-2266 | Washer, swinging arm pivot | 2 | |
| 11 | 14-1307 | Nut, swinging arm pivot | 1 | |
| 12 | 83-2656 | Brake torque stay | 1 | } Also listed with rear wheel |
| 13 | 14-0305 | Nut, torque stay to brake plate | 1 | |
| 14 | 60-2431 | Washer, torque stay to brake plate | 1 | |
| 15 | 14-0133 | Bolt, torque stay to swinging arm | 1 | |
| 16 | 37-2330 | Washer, torque stay to swinging arm | 1 | |
| 17 | 14-1304 | Nut, torque stay to swinging arm | 1 | |
| 18 | 64052564 | SUSPENSION UNIT (60-3957) | 2 | |
| 19 | 6405263 | Damper unit | Reference only | |
| 20 | 64533645 | Bonded bush (99-0122) | 4 | |
| 21 | 9054/171 | Spring retainer (99-0107) | 4 | |
| 22 | 64543708 | Spring, 110 lbs. chrome (99-1048) | 2 | |
| 23 | 14-0235 | Bolt, damper—top | 2 | |
| 24 | 60-2331 | Washer, damper—top | 2 | |
| 25 | 14-1303 | Nut, damper—top | 2 | |
| 26 | 14-0234 | Bolt, damper, lower | 2 | |
| 27 | 60-2331 | Washer damper lower | 2 | |
| 28 | 14-1303 | Nut damper lower | 2 | |
| 29 | 83-2641 | Chainguard | 1 | |
| 30 | 14-0206 | Bolt, chainguard fixing—front | 1 | |
| 31 | 60-2347 | Washer, chainguard fixing—front | 1 | |
| 32 | 34815 | Stop lamp switch—118SA (99-1028) | 1 | |
| 33 | 60-3550 | Screw | 2 | |
| 34 | 97-1388 | Washer | 2 | |



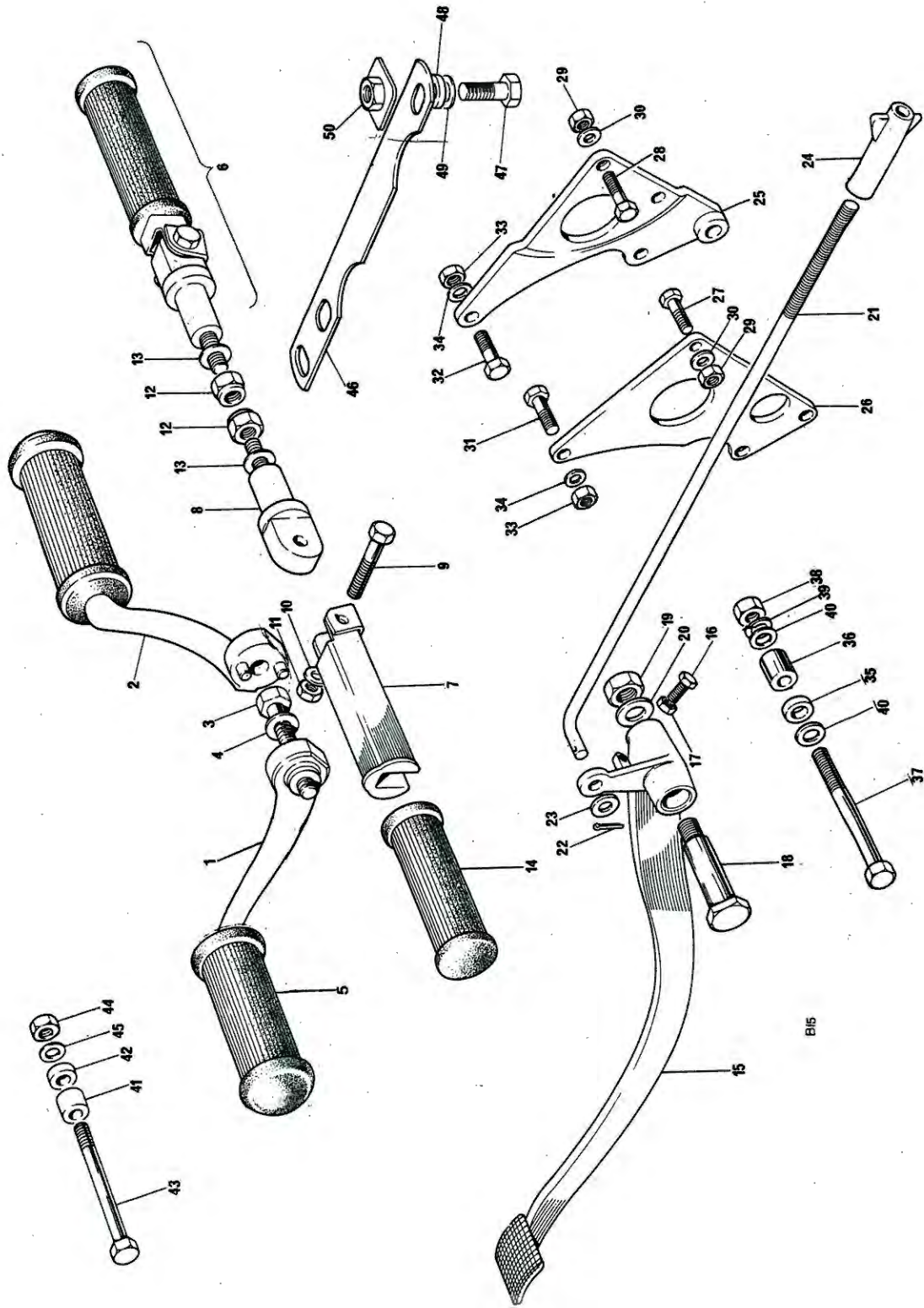
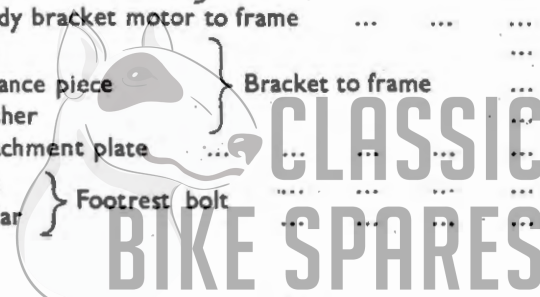
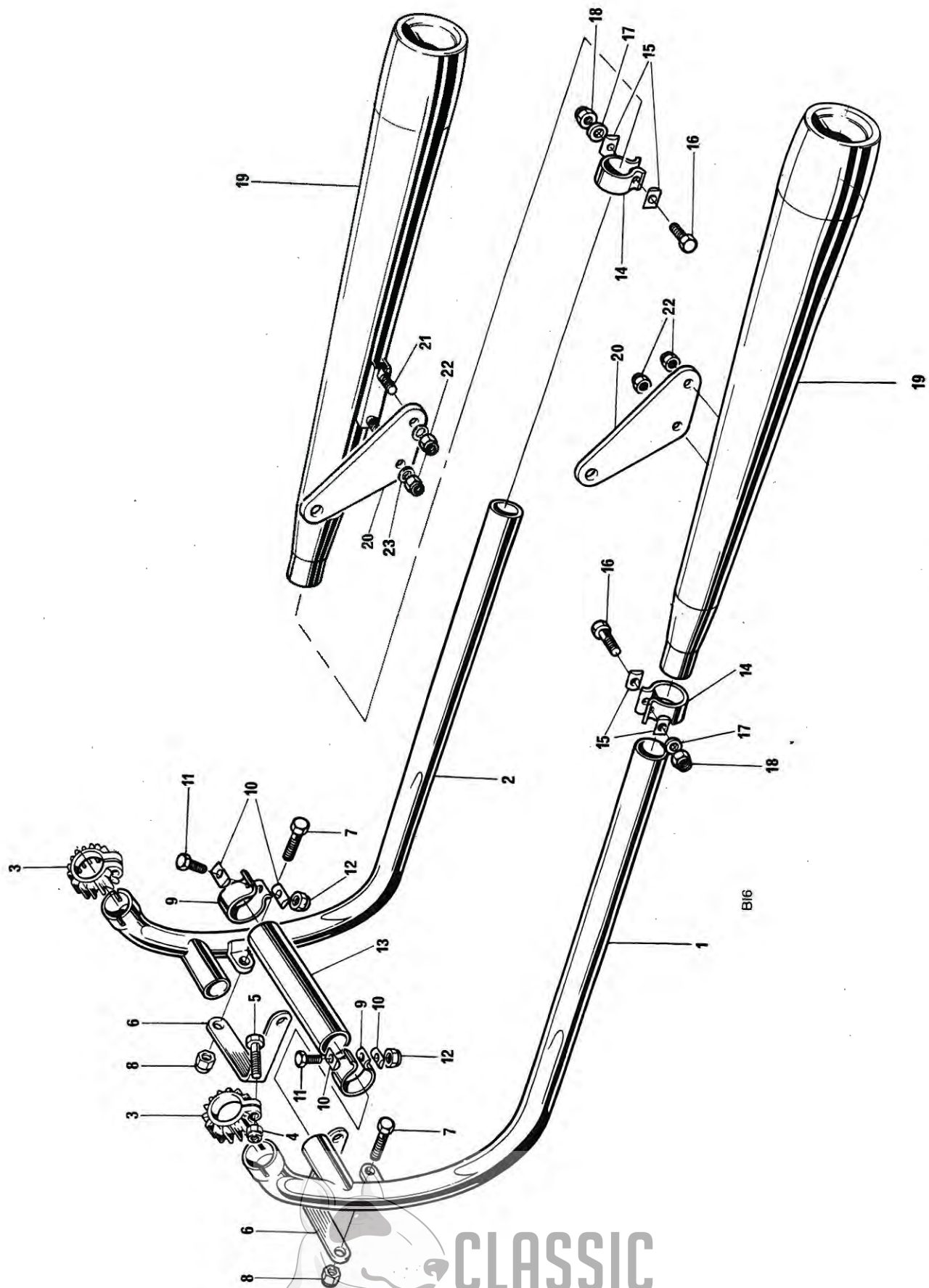


Fig. 18. MOTOR UNIT FITTING AND FOOTRESTS

MOTOR UNIT FITTINGS AND FOOTRESTS

| Ref. No. | Part No. | Description | Quantity | Remarks |
|------------|----------|---|----------------|---------|
| 1 | 83-2854 | Footrest—L.H. ... | 1 | |
| 2 | 83-2855 | Footrest—R.H. ... | 1 | |
| 3 | 14-0259 | Bolt ... | 2 | |
| 4 | 60-2333 | Washer ... | 2 | |
| 5 | 82-9279 | Footrest rubber | 2 | |
| 6 | 83-2841 | PILLION FOOTREST ... | 2 | |
| 7 | 82-9053 | Pedal ... | 1 | |
| 8 | 83-3207 | Hanger bolt ... | 1 | |
| 9 | 14-0217 | Bolt ... | 1 | |
| 10 | 82-9089 | Washer } Footrest swivel | 1 | |
| 11 | 14-1302 | Nut } Footrest to frame | 1 | |
| 12 | 14-1303 | Nut } Footrest to frame | 1 | |
| 13 | 82-2184 | Washer } Footrest to frame | 1 | |
| 14 | 82-9054 | Footrest rubber ... | 1 | |
| 15 | 83-2666 | Rear brake pedal ... | 1 | |
| 16 | 14-0103 | Screw } Stop light adjustment | 1 | |
| 17 | 14-0301 | Nut } Stop light adjustment | 1 | |
| 18 | 21-2045 | Pivot pin ... | 1 | |
| 19 | 14-1303 | Nut ... | 1 | |
| 20 | 70-8084 | Washer ... | 1 | |
| 21 | 83-2860 | Rear brake operating rod ... | 1 | |
| 22 | — | Split pin ($\frac{1}{16}$ in. x $\frac{3}{8}$ in.) ... | Reference only | |
| 23 | 83-4277 | Distance piece ... | 1 | |
| 24 | 82-7387 | Adjuster nut—brake rod ... | 2 | |
| 25 | 83-3024 | Rear motor plate R.H. ... | 1 | |
| 26 | 83-3023 | Rear motor plate—L.H. ... | 1 | |
| 27 | 14-0115 | Bolt ... | 5 | |
| 28 | 14-0116 | Bolt } Rear motor plates to frame | 1 | |
| 29 | 14-1302 | Nut } Rear motor plates to frame | 6 | |
| 30 | 60-2330 | Washer } Rear motor plates to frame | 12 | |
| 31 | 14-0220 | Bolt ... | 2 | |
| 32 | 14-0221 | Bolt } Motor to motor plates | 2 | |
| 33 | 14-1302 | Nut } Motor to motor plates | 4 | |
| 34 | 60-2321 | Washer } Motor to motor plates | 8 | |
| 35 | 83-2846 | Distance piece—L.H. ... | 1 | |
| 36 | 83-2847 | Distance piece—R.H. ... | 1 | |
| 37 | 21-2112 | Bolt } Motor to frame centre bottom | 1 | |
| 38 | 14-0304 | Nut } Motor to frame centre bottom | 1 | |
| 39 | 60-4251 | Washer } Motor to frame centre bottom | 1 | |
| 40 | 60-2332 | Washer } Motor to frame centre bottom | 2 | |
| 41 | 83-2848 | Distance piece—L.H. ... | 1 | |
| 42 | 83-2849 | Distance piece—R.H. ... | 1 | |
| 43 | 14-0254 | Bolt } Motor fixing front | 1 | |
| 44 | 14-1304 | Nut } Motor fixing front | 1 | |
| 45 | 60-2332 | Washer } Motor fixing front | 1 | |
| 46 | 83-3537 | Steady bracket motor to frame ... | 1 | |
| 47 | 14-0129 | Bolt ... | 1 | |
| 48 | 83-3329 | Distance piece } Bracket to frame | 1 | |
| 49 | 60-2331 | Washer } Bracket to frame | 1 | |
| 50 | 83-4086 | Attachment plate ... | 1 | |
| Not illus. | 14-1305 | Nut } Footrest bolt | 2 | |
| Not illus. | 83-3602 | Collar } Footrest bolt | 2 | |





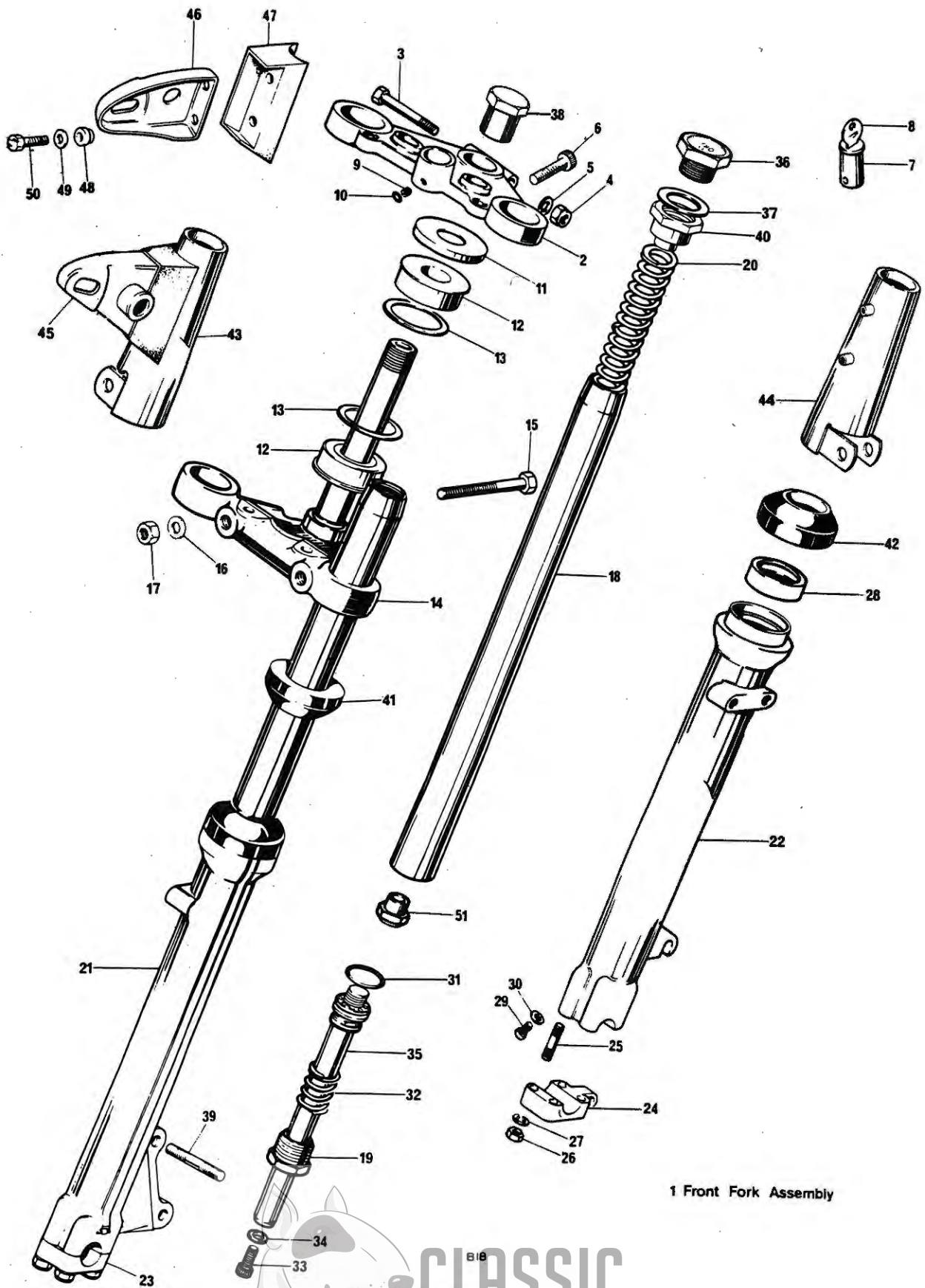
B16

Fig. 19. EXHAUST PIPES AND MUFFLERS

EXHAUST PIPES AND MUFFLERS, TR7RV, T140V

| | | | | | | | | | |
|----|---------|-------------------------------------|----------------------------------|-----|-----|-----|-----|---|--|
| 1 | 71-3755 | Exhaust pipe—L.H. | ... | ... | ... | ... | ... | 1 | |
| 2 | 71-3758 | Exhaust pipe—R.H. | ... | ... | ... | ... | ... | 1 | |
| 3 | 71-2465 | Finned clip | } Exhaust pipes to cylinder head | ... | ... | ... | ... | 2 | |
| 4 | 21-0778 | Nut | | ... | ... | ... | ... | 2 | |
| 5 | 21-2186 | Screw | | ... | ... | ... | ... | 2 | |
| 6 | 70-6857 | Exhaust pipe stay | ... | ... | ... | ... | ... | 2 | |
| 7 | 14-2205 | Screw | ... | ... | ... | ... | ... | 2 | |
| 8 | 70-7471 | Nut | ... | ... | ... | ... | ... | 2 | |
| 9 | 70-7512 | Clip | } Exhaust pipes to coupling pipe | ... | ... | ... | ... | 2 | |
| 10 | 70-3768 | "D" washer | | ... | ... | ... | ... | 4 | |
| 11 | 14-0217 | Bolt | | ... | ... | ... | ... | 2 | |
| 12 | 14-1202 | Nut | ... | ... | ... | ... | ... | 2 | |
| 13 | 70-9888 | Coupling pipe | ... | ... | ... | ... | ... | 1 | |
| 14 | 70-5874 | Clip | } Exhaust pipes to mufflers | ... | ... | ... | ... | 2 | |
| 15 | 70-3768 | "D" washer | | ... | ... | ... | ... | 4 | |
| 16 | 14-0219 | Bolt | | ... | ... | ... | ... | 2 | |
| 17 | 60-4247 | Washer | ... | ... | ... | ... | ... | 2 | |
| 18 | 14-1202 | Nut | ... | ... | ... | ... | ... | 2 | |
| 19 | 71-3999 | Muffler | ... | ... | ... | ... | ... | 2 | |
| 20 | 71-3761 | Hanger—muffler and pillion footrest | ... | ... | ... | ... | ... | 2 | |
| 21 | 14-0102 | Bolt | } Muffler to hanger | ... | ... | ... | ... | 4 | |
| 22 | 14-1201 | Nut | | ... | ... | ... | ... | 4 | |
| 23 | 60-4248 | Washer | | ... | ... | ... | ... | 4 | |





1 Front Fork Assembly

Fig. 20. TELESCOPIC FRONT FORK

TELESCOPIC FRONT FORK

| Ref. No. | Part No. | DESCRIPTION | QUANTITY | REMARKS |
|----------|----------|--------------------------------|----------|---------|
| 1 | 97-4396 | FORK ASSEMBLY | 1 | |
| 2 | 97-4381 | Top Yoke | 1 | |
| 3 | 14-0234 | Pinch Bolt | 1 | |
| 4 | 14-1303 | Nut | 1 | |
| 5 | 60-2331 | Washer | 1 | |
| 6 | 14-1034 | Cap Screw | 2 | |
| 7 | 82-6738 | Lock c/w 2 keys | 1 | |
| 8 | 60-0623 | Key (state serial no.) | 1 | |
| 9 | 21-0578 | Grub Screw | 1 | |
| 10 | 97-2266 | Sealing Washer | 1 | |
| 11 | 83-2007 | Abutment Ring | 2 | |
| 12 | 97-4031 | Taper roller bearing | 2 | |
| 13 | 97-4028 | Dust cover | 2 | |
| 14 | 97-4385 | Bottom yoke and stem | 1 | |
| 15 | 14-0237 | Pinch bolt | 1 | |
| 15 | 97-4476 | Pinch bolt | 1 | |
| 16 | 82-2184 | Washer | 4 | |
| 17 | 14-1303 | Nut | 2 | |
| 18 | 97-4380 | Stanchion | 2 | |
| 19 | 97-4976 | End Plug | 2 | |
| 20 | 97-4011 | Main Spring | 2 | |
| 21 | 97-4514 | OUTER MEMBER—L.H. | 1 | |
| 22 | 97-4515 | OUTER MEMBER—R.H. | 1 | |
| 23 | 97-4456 | Cap, wheel spindle—L.H. | 1 | |
| 24 | 97-4457 | Cap, wheel spindle—R.H. | 1 | |
| 25 | 21-2102 | Stud | 8 | |
| 26 | 14-0302 | Nut | 8 | |
| 27 | 60-2428 | Washer | 8 | |
| 28 | 97-4001 | Oil Seal | 2 | |
| 29 | 97-3894 | Drain Plug | 2 | |
| 30 | 97-3893 | Washer | 2 | |
| 31 | 97-4003 | 'O' ring | 2 | |
| 32 | 97-4009 | Recoil Spring | 2 | |
| 33 | 14-1019 | Cap Screw | 2 | |
| 34 | 97-4004 | Cap Screw Seal | 2 | |
| 35 | 97-4325 | Damper Tube and Valve Assembly | 2 | |
| 36 | 97-4395 | Top Cap Nut | 2 | |
| 37 | 97-4166 | Washer | 2 | |
| 38 | 97-4317 | Steering Stem Nut | 1 | |
| 39 | 21-2189 | Stud, Caliper to Outer Member | 2 | |
| 40 | 97-4387 | Cap Screw, Top Cap Nut | 2 | |
| 41 | 97-4461 | Rubber Ring, Outer Cover | 2 | |
| 42 | 97-4002 | Scrapers Sleeve | 2 | |



TELESCOPIC FRONT FORK (continued)

| | | | | | | | | | |
|------------|---------|-------------------------|-----|-----|-----|-----|-----|-----|---|
| 43 | 97-4480 | Outer cover—L.H. | ... | ... | ... | ... | ... | ... | 1 |
| 44 | 97-4481 | Outer cover—R.H. | ... | ... | ... | ... | ... | ... | 1 |
| 45 | 97-4121 | Headlamp bracket—L.H. | ... | ... | ... | ... | ... | ... | 1 |
| 46 | 97-4203 | Headlamp bracket—R.H. | ... | ... | ... | ... | ... | ... | 1 |
| 47 | 97-2208 | Rubber mounting | ... | ... | ... | ... | ... | ... | 2 |
| 48 | 97-2209 | Rubber buffer | ... | ... | ... | ... | ... | ... | 4 |
| 49 | 97-2210 | Backing washer | ... | ... | ... | ... | ... | ... | 4 |
| 50 | 21-2095 | Attachment bolt | ... | ... | ... | ... | ... | ... | 4 |
| Not illus. | 82-6784 | Grommet, throttle cable | ... | ... | ... | ... | ... | ... | 1 |
| 51 | 97-4012 | Nut, damper valve | ... | ... | ... | ... | ... | ... | 1 |

ALTERNATIVE FITMENTS (NOT U.S.A.)

| | | | | | | | | | |
|---------|-------------------------|-----|-----|-----|-----|-----|-----|-----|---|
| 97-1510 | Gaiter—fork outer cover | ... | ... | ... | ... | ... | ... | ... | 2 |
| 97-4406 | Outer cover—L.H. | ... | ... | ... | ... | ... | ... | ... | 1 |
| 97-4407 | Outer cover—R.H. | ... | ... | ... | ... | ... | ... | ... | 1 |



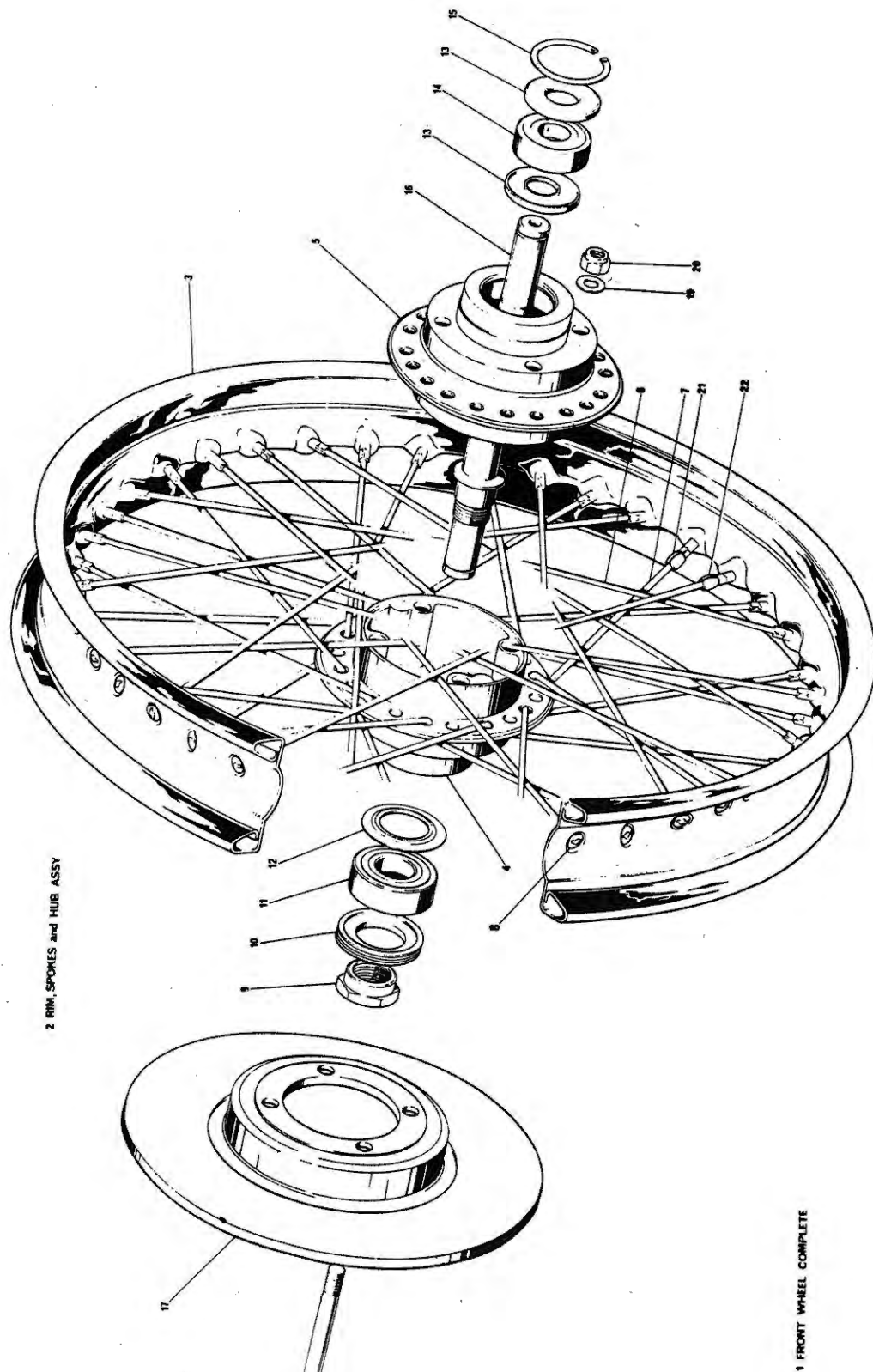
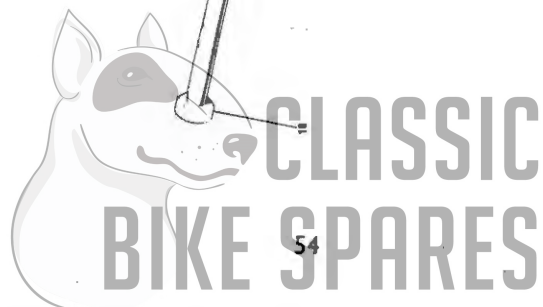


Fig. 22 FRONT WHEEL



FRONT WHEEL

| Ref. No. | Part No. | DESCRIPTION | QUANTITY | REMARKS |
|----------|----------|------------------------------|----------|-------------|
| 1 | 37-4141 | FRONT WHEEL COMPLETE | 1 | |
| 2 | 37-4143 | RIM, SPOKES AND HUB ASSEMBLY | 1 | |
| 3 | 37-4129 | Rim | 1 | |
| 4 | 37-4126 | Hub—L.H. half | 1 | |
| 5 | 37-4127 | Hub—R.H. half | 1 | |
| 6 | 37-4131 | Spoke—Outer | 20 | |
| 7 | 37-4130 | Spoke—Inner | 20 | |
| 8 | 37-2294 | Spoke Nipple | 40 | |
| 9 | 37-4133 | Locknut—L.H. | 1 | |
| 10 | 37-4134 | Lock Ring—L.H. | 1 | |
| 11 | 57-1070 | Bearing—L.H. | 1 | |
| 12 | 37-4135 | Grease retainer—L.H. | 1 | |
| 13 | 37-1237 | Dust Cover—R.H. | 2 | |
| 14 | 37-0653 | Bearing—R.H. | 1 | |
| 15 | 57-0280 | Circlip—R.H. | 1 | |
| 16 | 37-4132 | Spindle | 1 | |
| 17 | 37-4136 | Disc | 1 | |
| 18 | 21-2207 | Bolt | 4 | |
| 19 | 60-2322 | Washer | 4 | Disc to hub |
| 20 | 14-1303 | Nut | 4 | |
| 21 | 37-3969 | Balance weight | As reqd. | |
| 22 | 37-3970 | Balance weight | As reqd. | |



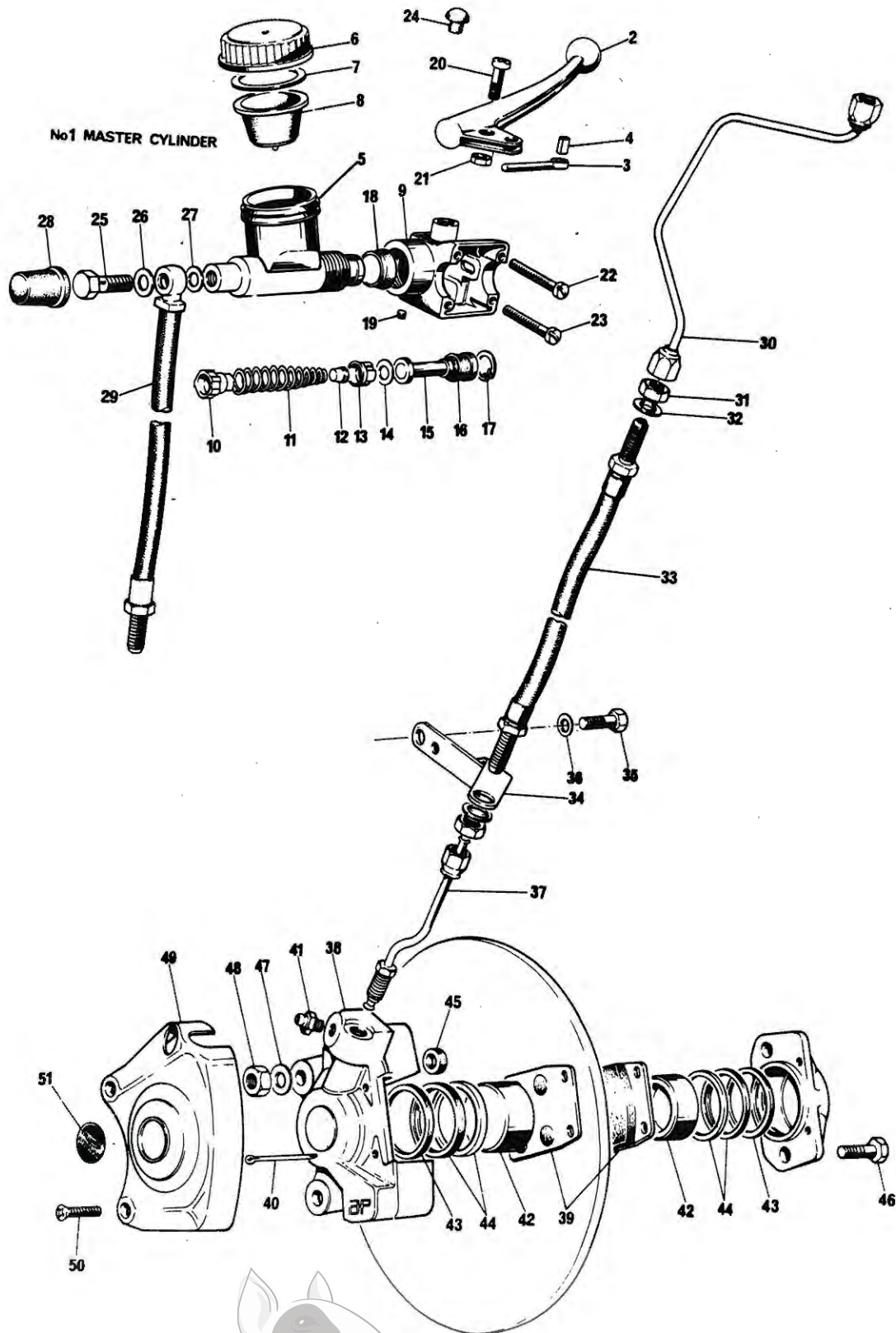


Fig. 23. FRONT BRAKE

FRONT BRAKE

| | | | | |
|----|------------|--|--------|----------------|
| 1 | 4222-979 | MASTER CYLINDER (60-4102) | 1 | |
| 2 | 60-4206 | Brake lever assembly | 1 | |
| 3 | 3761-270 | Piston | 1 | Reference only |
| 4 | 3528-441 | Spiral pin | 1 | Reference only |
| 5 | 4221-072 | Barrel and tank assembly (99-2770) | 1 | |
| 6 | 3847-240 | Cap (99-2751) | 1 | |
| 7 | 60-4328 | Washer | 1 | |
| 8 | *3818-747 | Diaphragm (99-2752) | 1 | |
| 9 | 3338-901 | Switch housing (99-2753) | 1 | |
| 10 | *4312-318 | Trap valve (99-2754) | 1 | |
| 11 | 3118-234 | Spring (99-2755) | 1 | |
| 12 | 3675-216 | Spring retainer (99-2756) | 1 | |
| 13 | *3842-424 | Primary cup (99-2757) | 1 | |
| 14 | *106418 | Piston washer (99-2758) | 1 | |
| 15 | 3261-542 | Piston (99-2759) | 1 | |
| 16 | *3871-473 | Secondary cup (99-2760) | 1 | |
| 17 | K29103 | Circlip (99-2761) | 1 | |
| 18 | *3811-420 | Rubber boot (99-2762) | 1 | |
| 19 | 3476-209 | Grub screw (99-2763) | 1 | |
| 20 | 21-2191 | Pivot screw | 1 | |
| 21 | 14-1201 | Nut | 1 | |
| 22 | 21-2192 | Screw } Switch assembly to housing | 2 | |
| 23 | 21-2194 | | 2 | |
| 24 | 70-7573 | Plug | 1 | |
| 25 | 30420 | Banjo bolt (60-4183) | 1 | |
| 26 | KL44516 | Sealing washer (60-4182) | 1 | |
| 27 | KL44518 | Sealing washer (60-4184) | 1 | |
| 28 | 60-4186 | Rubber boot | 1 | |
| 29 | KL58505 | Hose, master cylinder to top yoke (60-4176) used with high handlebar | 1 | |
| 29 | KL563 | Hose, master cylinder to top yoke (60-4177) used with low handlebar | 1 | |
| 30 | ZT2071N | Pipe, top yoke to bottom yoke (60-4179) | 1 | |
| 31 | K24103 | Locknut (60-4180) | 3 | |
| 32 | K19407 | Washer (60-4181) | 3 | |
| 33 | KL56612 | Hose, bottom yoke to fork leg (60-4175) | 1 | |
| 34 | 83-5150 | Bracket, pipe support | 1 | |
| 35 | 14-0103 | Bolt } Bracket to fork leg | 2 | |
| 36 | 60-2427 | | Washer | 2 |
| 37 | ZTA2070N | Pipe, fork leg to caliper (60-4178) | 1 | |
| 38 | 4823-432 | CALIPER (60-4101) | 1 | |
| 39 | †4741-537 | Brake pad | 1 | Reference only |
| 40 | †K19866TP2 | Retaining pin | 1 | Reference only |
| 41 | 3486-229 | Bleed nipple (99-2764) | 1 | |
| 42 | 3275-428 | Piston (99-2765) | 2 | |
| 43 | 96498 | Fluid seal (99-2766) | 2 | |
| 44 | SSB72075 | Retainer (99-2767) | 2 | |
| 45 | 102799 | Fluid seal | 1 | Reference only |
| 46 | 3437-307 | Bolt, caliper halves | 1 | Reference only |
| 47 | 60-2331 | Washer } Caliper to outer member | 2 | |
| 48 | 14-1303 | | Nut | 2 |
| 49 | 37-4170 | Cover, caliper | 2 | |
| 50 | 21-2196 | Screw, cover attachment | 2 | |
| 51 | 60-4156 | Decal, caliper cover | 1 | |

* Master cylinder repair kit 99-2768

† Brake pad kit 99-2769

CLASSIC
BIKE SPARES

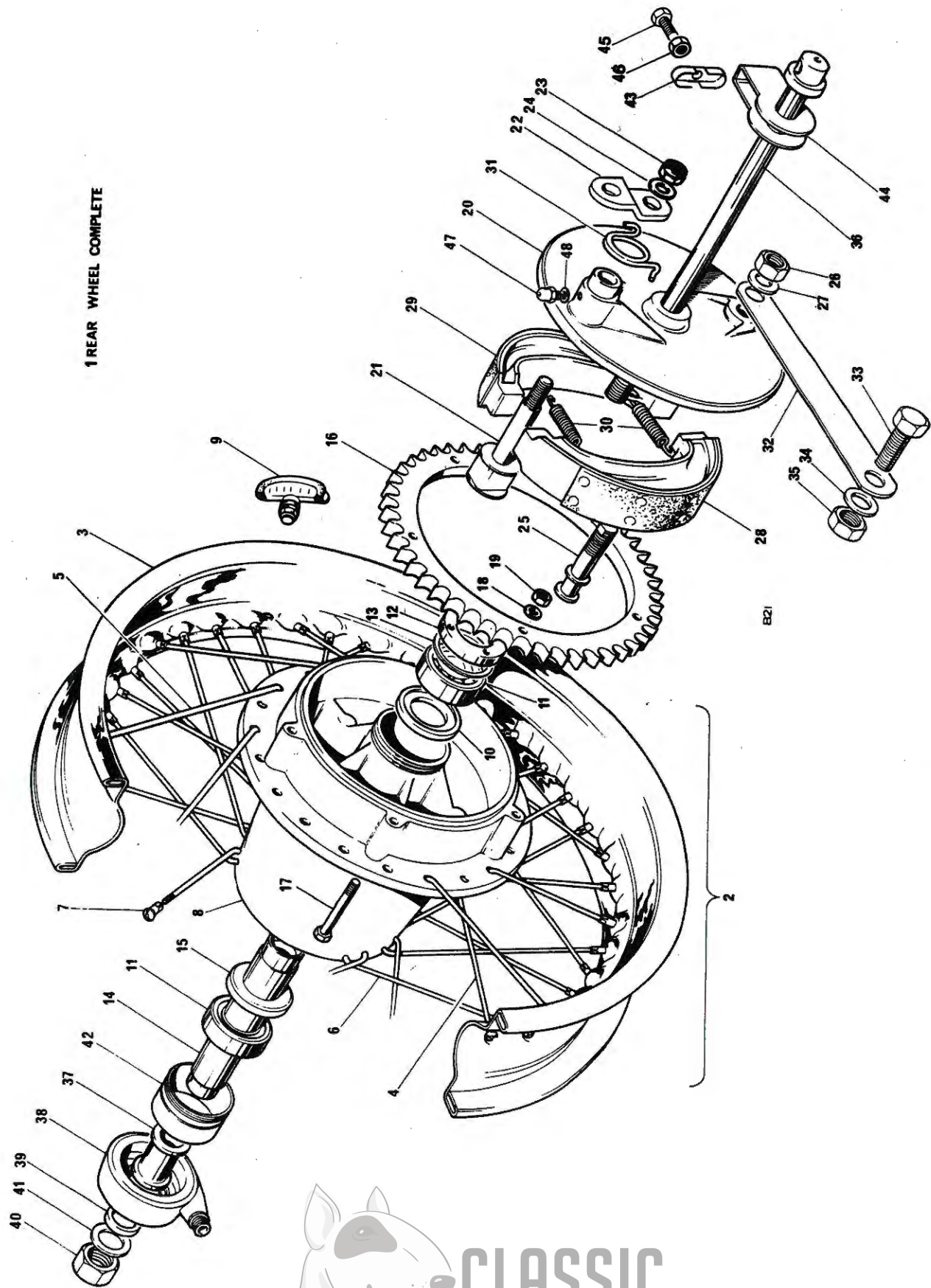


Fig 24. REAR WHEEL

REAR WHEEL

| | | | | |
|----|---------|-----------------------------------|----|-----------------------------|
| 1 | 37-3968 | REAR WHEEL COMPLETE ... | 1 | |
| 2 | 37-4182 | RIM SPOKES AND HUB ASSEMBLY | 1 | |
| 3 | 37-3784 | Rim | 1 | |
| 4 | 37-3724 | Spoke (inner—L.H.) | 10 | |
| 5 | 37-3725 | Spoke (outer—L.H.) | 10 | |
| 6 | 37-3726 | Spoke—R.H. | 20 | |
| 7 | 37-2294 | Nipple... | 40 | |
| 8 | 37-4179 | Hub and brake drum | 1 | |
| 9 | 37-3468 | Tyre security bolt... | 2 | |
| 10 | 37-3749 | Support ring—L.H. | 1 | |
| 11 | 37-0653 | Bearing | 2 | |
| 12 | 37-4181 | Locking ring—L.H. | 1 | |
| 13 | 37-4180 | Spacer | 1 | |
| 14 | 37-3753 | Spacer | 1 | |
| 15 | 37-1654 | Grease retainer—R.H. | 1 | |
| 16 | 37-3747 | Sprocket 47 teeth | 1 | |
| 17 | 14-0207 | Bolt | 5 | } Sprocket to hub |
| 18 | 60-2320 | Washer | 5 | |
| 19 | 14-1301 | Nut | 5 | |
| 20 | 37-3856 | Brake anchor plate | 1 | |
| 21 | 37-4145 | Brake cam | 1 | |
| 22 | 37-4147 | Brake lever | 1 | |
| 23 | 14-1303 | Nut | 1 | |
| 24 | 60-2331 | Washer | 1 | |
| 25 | 37-3870 | Brake pivot | 1 | |
| 26 | 14-0305 | Nut | 1 | } Brake pivot to torque arm |
| 27 | 60-2431 | Washer | 1 | |
| 28 | 37-3925 | Brake shoe complete (leading) | 1 | |
| 29 | 37-3926 | Brake shoe complete (trailing) | 1 | |
| 30 | 37-2328 | Return spring (brake shoe) | 2 | |
| 31 | 37-4049 | Return spring (brake lever) | 1 | |
| 32 | 83-2656 | Brake torque arm | 1 | |
| 33 | 14-0133 | Bolt | 1 | } Torque arm to frame |
| 34 | 37-2330 | Washer | 2 | |
| 35 | 14-1304 | Nut | 1 | |
| 36 | 37-3965 | Wheel spindle | 1 | |
| 37 | 37-3750 | Distance piece inner | 1 | |
| 38 | 60-3213 | Speedometer drive gearbox | 1 | |
| 39 | 37-3746 | Distance piece outer | 1 | |
| 40 | 14-1307 | Nut | 1 | } Wheel spindle |
| 41 | 83-2266 | Washer | 1 | |
| 42 | 37-3751 | Speedometer drive ring | 1 | |
| 43 | 83-3082 | Cover plate—swinging arm fork end | 2 | |
| 44 | 37-3742 | Chain adjuster | 2 | |
| 45 | 14-0107 | Screw | 2 | } Chain adjuster |
| 46 | 14-0301 | Nut | 2 | |
| 47 | 60-1841 | Grease nipple | 1 | |
| 48 | 71-2501 | Fibre washer | 1 | |

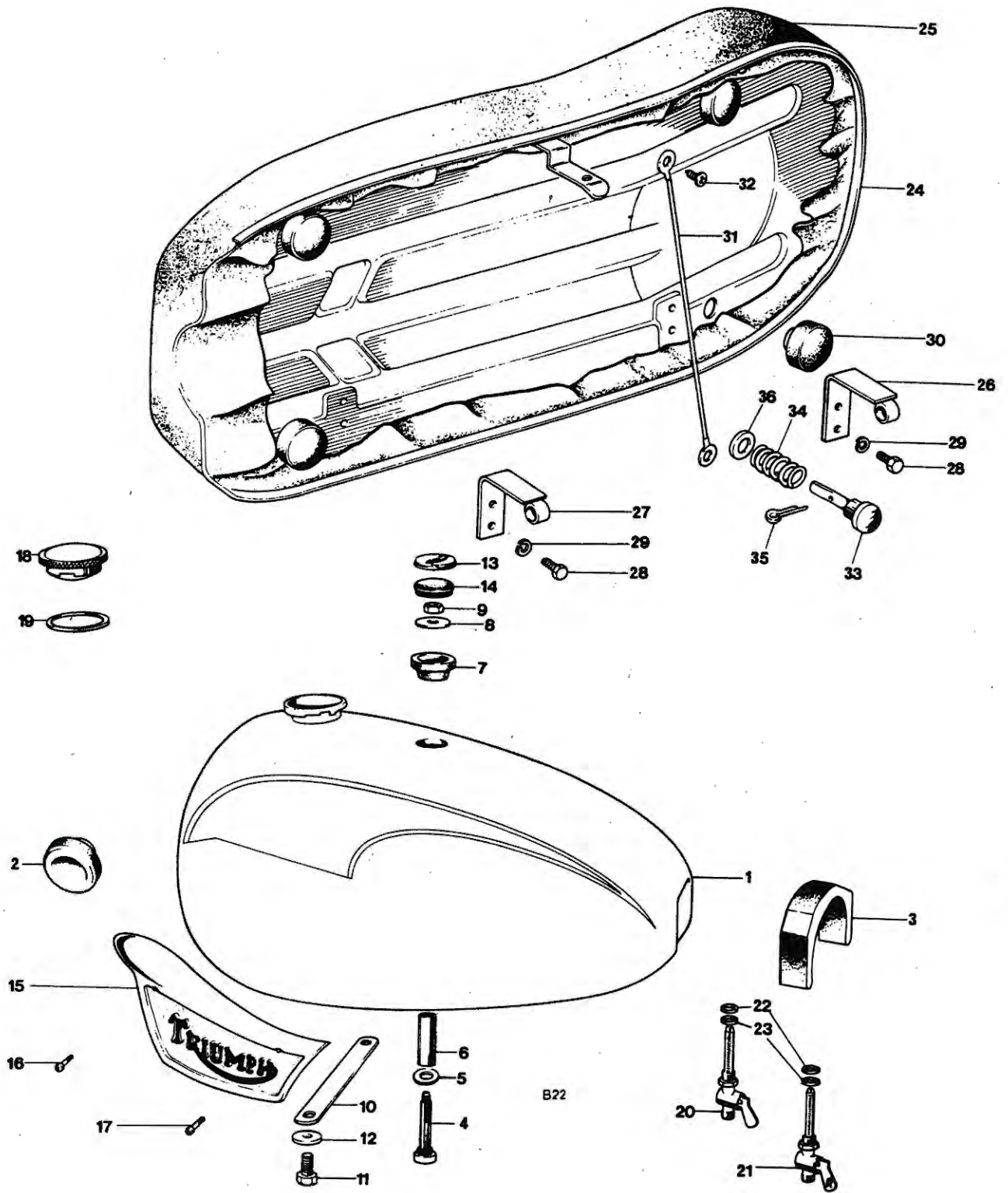


Fig. 25 GAS TANKS AND TWINSEAT

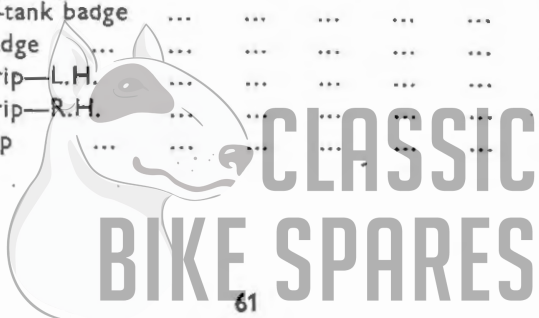
GAS TANK AND TWINSEAT

| | | | | | | | | | |
|----|---------|---|--------------------|-----|-----|-----|-----|---|----------------|
| 1 | 83-5413 | Gas tank (3.6 U.S. galls.) | ... | ... | ... | ... | ... | 1 | T140V |
| 1 | 83-5414 | Gas tank (3.6 U.S. galls.) | ... | ... | ... | ... | ... | 1 | TR7RV |
| 2 | 83-4931 | Steady rubber | ... | ... | ... | ... | ... | 2 | |
| 3 | 83-4932 | Mounting rubber | ... | ... | ... | ... | ... | 2 | |
| 4 | 83-4930 | Centre fixing bolt | ... | ... | ... | ... | ... | 1 | |
| 5 | 60-2321 | Washer | ... | ... | ... | ... | ... | 1 | |
| 6 | 82-9063 | Distance tube | ... | ... | ... | ... | ... | 1 | |
| 7 | 83-4934 | Mounting rubber | ... | ... | ... | ... | ... | 1 | |
| 8 | 83-3814 | Washer | ... | ... | ... | ... | ... | 1 | |
| 9 | 14-1202 | Nut | ... | ... | ... | ... | ... | 1 | |
| 10 | 83-4395 | Tie strap | ... | ... | ... | ... | ... | 1 | |
| 11 | 14-0113 | Bolt | ... | ... | ... | ... | ... | 1 | |
| 12 | 60-2428 | Washer | ... | ... | ... | ... | ... | 1 | |
| 13 | 83-4776 | Badge—tank grommet | ... | ... | ... | ... | ... | 1 | |
| 14 | 83-4763 | Grommet | ... | ... | ... | ... | ... | 1 | |
| 15 | 82-9700 | Tank motif—L.H. | ... | ... | ... | ... | ... | 1 | |
| 15 | 82-9701 | Tank motif—R.H. | ... | ... | ... | ... | ... | 1 | |
| 16 | 83-1339 | Screw—front—tank motif | ... | ... | ... | ... | ... | 2 | |
| 17 | 82-7888 | Screw—rear—tank motif | ... | ... | ... | ... | ... | 2 | |
| 18 | 83-3875 | Filler cap | ... | ... | ... | ... | ... | 1 | |
| 19 | 82-4048 | Joint washer | ... | ... | ... | ... | ... | 1 | |
| 20 | 83-2800 | Gas tap | ... | ... | ... | ... | ... | 1 | |
| 21 | 83-2801 | Gas tap—reserve | ... | ... | ... | ... | ... | 1 | |
| 22 | 70-7351 | Tap seal | ... | ... | ... | ... | ... | 2 | |
| 23 | 83-0002 | Washer | ... | ... | ... | ... | ... | 2 | |
| 24 | 83-4786 | Twinseat | ... | ... | ... | ... | ... | 1 | |
| 25 | 83-4789 | Twinseat cover | ... | ... | ... | ... | ... | 1 | |
| 26 | 83-4782 | Hinge—rear | ... | ... | ... | ... | ... | 1 | |
| 27 | 83-4802 | Hinge—front | ... | ... | ... | ... | ... | 1 | |
| 28 | 14-0101 | Bolt | } Hinge attachment | ... | ... | ... | ... | 4 | |
| 29 | 60-2417 | Washer | | ... | ... | ... | ... | 4 | |
| 30 | 82-9093 | Rubber buffer | ... | ... | ... | ... | ... | 4 | |
| 31 | 60-2087 | Check wire | ... | ... | ... | ... | ... | 1 | |
| 32 | 60-2381 | Screw—self-tapping | ... | ... | ... | ... | ... | 1 | |
| 33 | 82-7560 | Seat plunger | ... | ... | ... | ... | ... | 1 | |
| 34 | 82-4228 | Spring | ... | ... | ... | ... | ... | 1 | |
| 35 | — | Split pin ($\frac{3}{32}$ in. x $\frac{1}{2}$ in.) | ... | ... | ... | ... | ... | | Reference only |
| 36 | 70-1719 | Washer | ... | ... | ... | ... | ... | 1 | |

ALTERNATIVE FITMENTS

(NOT U.S.A.)

| | | | | | | | | | |
|---------|-----------------------------|-----|-----|-----|-----|-----|-----|---|-------|
| 83-5418 | Petrol tank (4 Imp. galls.) | ... | ... | ... | ... | ... | ... | 1 | T140V |
| 83-5417 | Petrol tank (4 Imp. galls.) | ... | ... | ... | ... | ... | ... | 1 | TR7RV |
| 83-4933 | Mounting rubber | ... | ... | ... | ... | ... | ... | 1 | |
| 21-2064 | Screw—tank badge | ... | ... | ... | ... | ... | ... | 4 | |
| 60-2569 | Tank badge | ... | ... | ... | ... | ... | ... | 2 | |
| 83-4355 | Knee grip—L.H. | ... | ... | ... | ... | ... | ... | 1 | |
| 83-4356 | Knee grip—R.H. | ... | ... | ... | ... | ... | ... | 1 | |
| 83-4118 | Tie strap | ... | ... | ... | ... | ... | ... | 1 | |



**CLASSIC
BIKE SPARES**

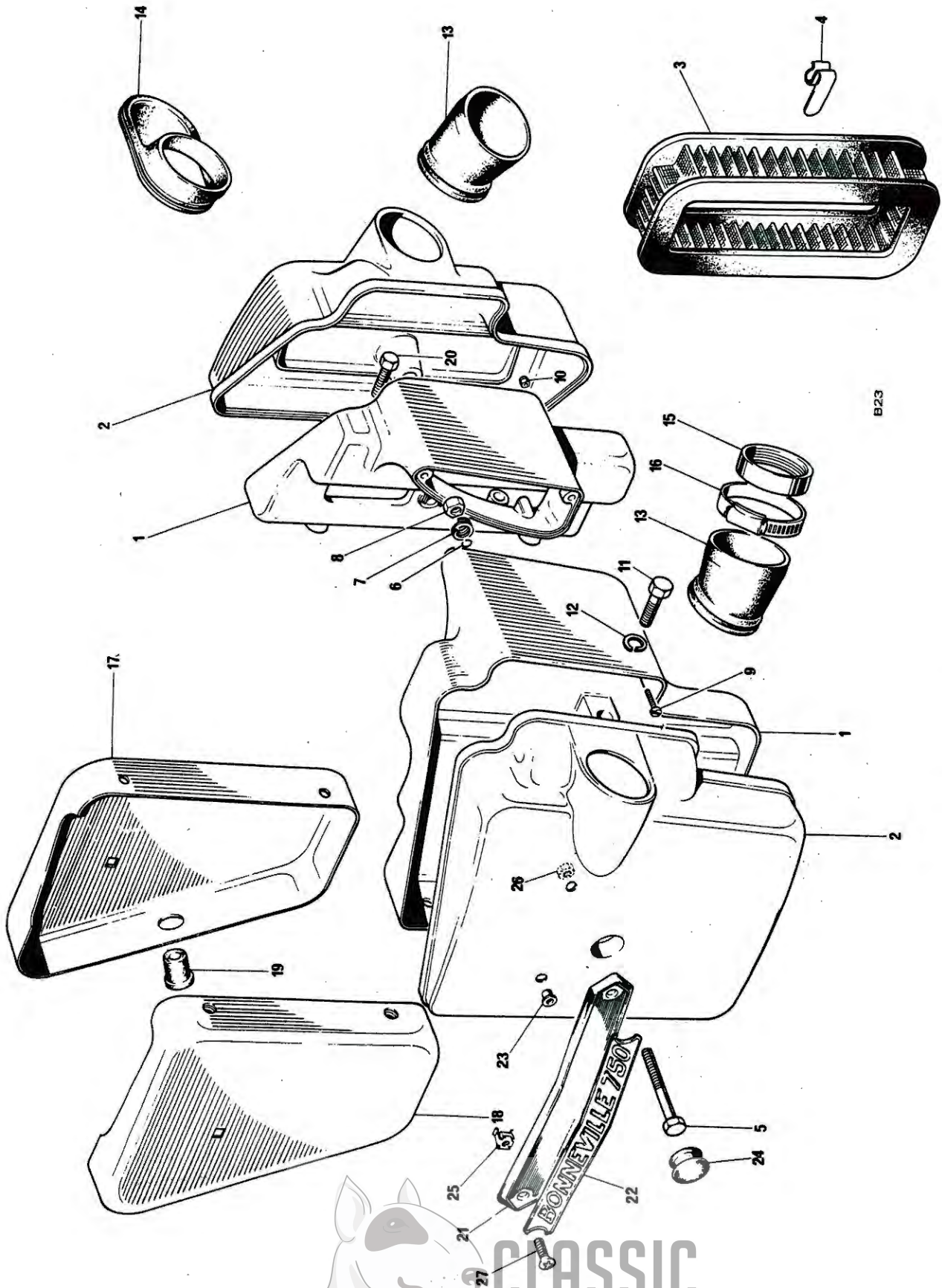


FIG. 26 AIR CLEANERS AND SIDE PANELS

AIR CLEANER AND SIDE PANELS

| Ref. No. | Part No. | DESCRIPTION | QUANTITY | REMARKS |
|------------|----------|---------------------------|----------|-------------------------|
| | 83-5010 | AIR CLEANER ASSEMBLY—L.H. | 1 | } Twin Carb T140V |
| | 83-5011 | AIR CLEANER ASSEMBLY—R.H. | 1 | |
| 1 | 83-4606 | Body—L.H. | 1 | |
| 1 | 83-4607 | Body—R.H. | 1 | |
| 2 | 83-4809 | Cover—L.H. | 1 | |
| 2 | 83-4810 | Cover—R.H. | 1 | |
| | 83-5012 | AIR CLEANER ASSEMBLY—L.H. | 1 | } Single Carb TR7RV |
| | 83-5013 | AIR CLEANER ASSEMBLY—R.H. | 1 | |
| 1 | 83-4845 | Body—L.H. | 1 | |
| 1 | 83-4609 | Body—R.H. | 1 | |
| 2 | 83-4807 | Cover—L.H. | 1 | |
| 2 | 83-4808 | Cover—R.H. | 1 | |
| 3 | 60-3618 | Element | 2 | } All models |
| 4 | 83-3417 | Clip, element | 4 | |
| 5 | 14-0221 | Bolt | 2 | |
| 6 | 82-8245 | Retainer | 2 | |
| 7 | 60-2438 | Washer | 2 | |
| 8 | 14-0302 | Nut | 2 | |
| 9 | 60-3539 | Screw | 2 | |
| 10 | 21-0501 | Nut | 2 | |
| 11 | 14-0218 | Bolt | 2 | |
| 12 | 60-2418 | Spring washer | 2 | |
| 13 | 83-2626 | Connector pipe | 2 | T140V |
| 14 | 83-5161 | Connector pipe | 1 | TR7RV |
| 15 | 71-1860 | Carburetor adaptor | 1 or 2 | |
| 16 | 60-3975 | Clip | 1 or 2 | |
| 17 | 83-4854 | Side panel—L.H. | 1 | |
| 18 | 83-4803 | Side panel—R.H. | 1 | |
| 19 | 82-6673 | Panel grommet | 2 | |
| 20 | 14-0102 | Bolt | 4 | |
| 21 | 60-4150 | Name plate | 2 | |
| 22 | 60-4169 | Motif | 2 | TR7RV |
| 22 | 60-4148 | Motif | 2 | T140V |
| 23 | 60-4153 | Rubber bush | 2 | |
| 24 | 60-4152 | Rubber plug | 2 | |
| 25 | 60-4154 | 'Spire' nut | 2 | |
| 26 | 82-4717 | Nut | 2 | } Name plate attachment |
| 27 | 82-4129 | Screw | 2 | |
| Not illus. | 83-5236 | Rubber strip—side panel | 2 | |



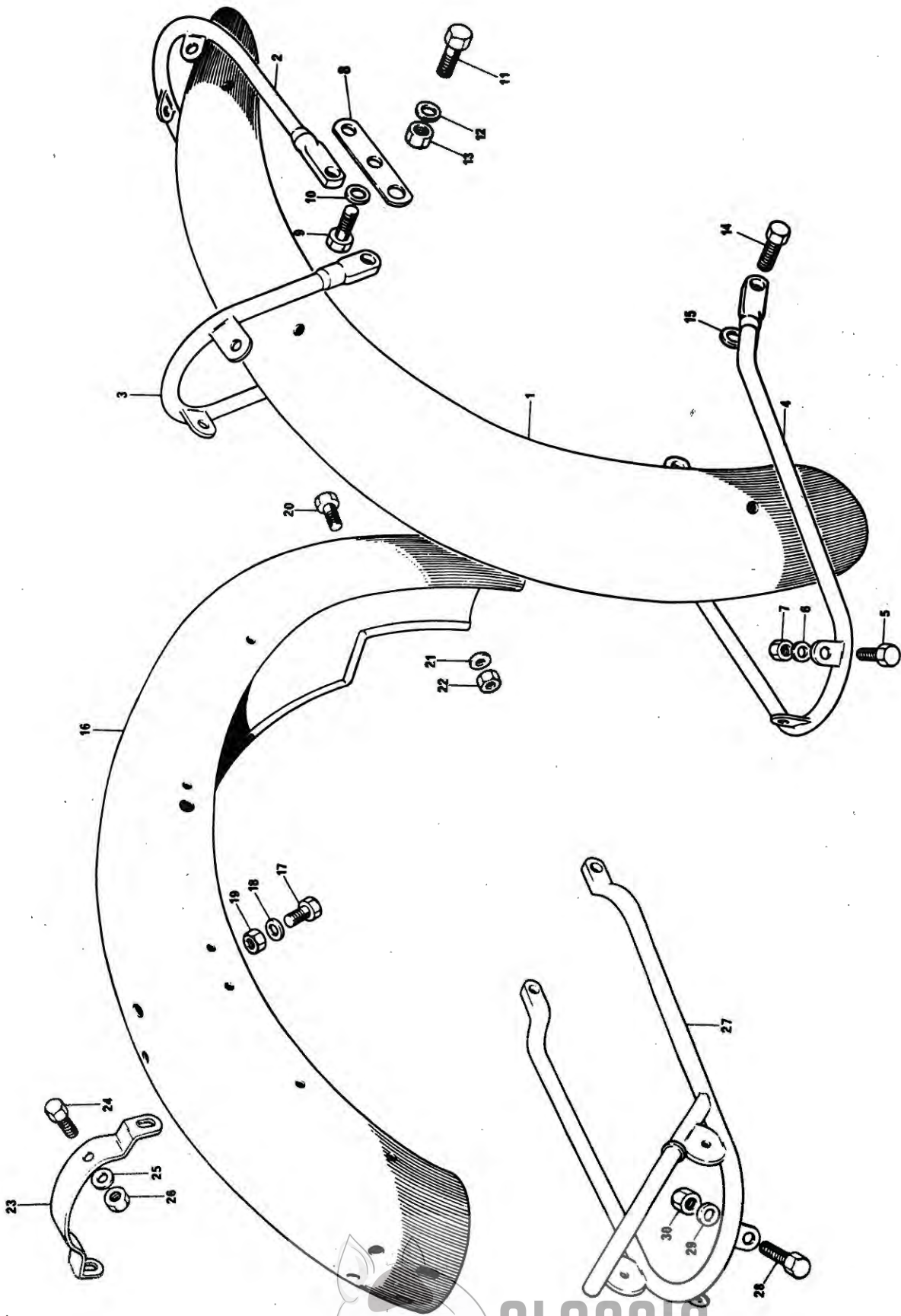


Fig. 27. FENDERS AND TAIL LAMP

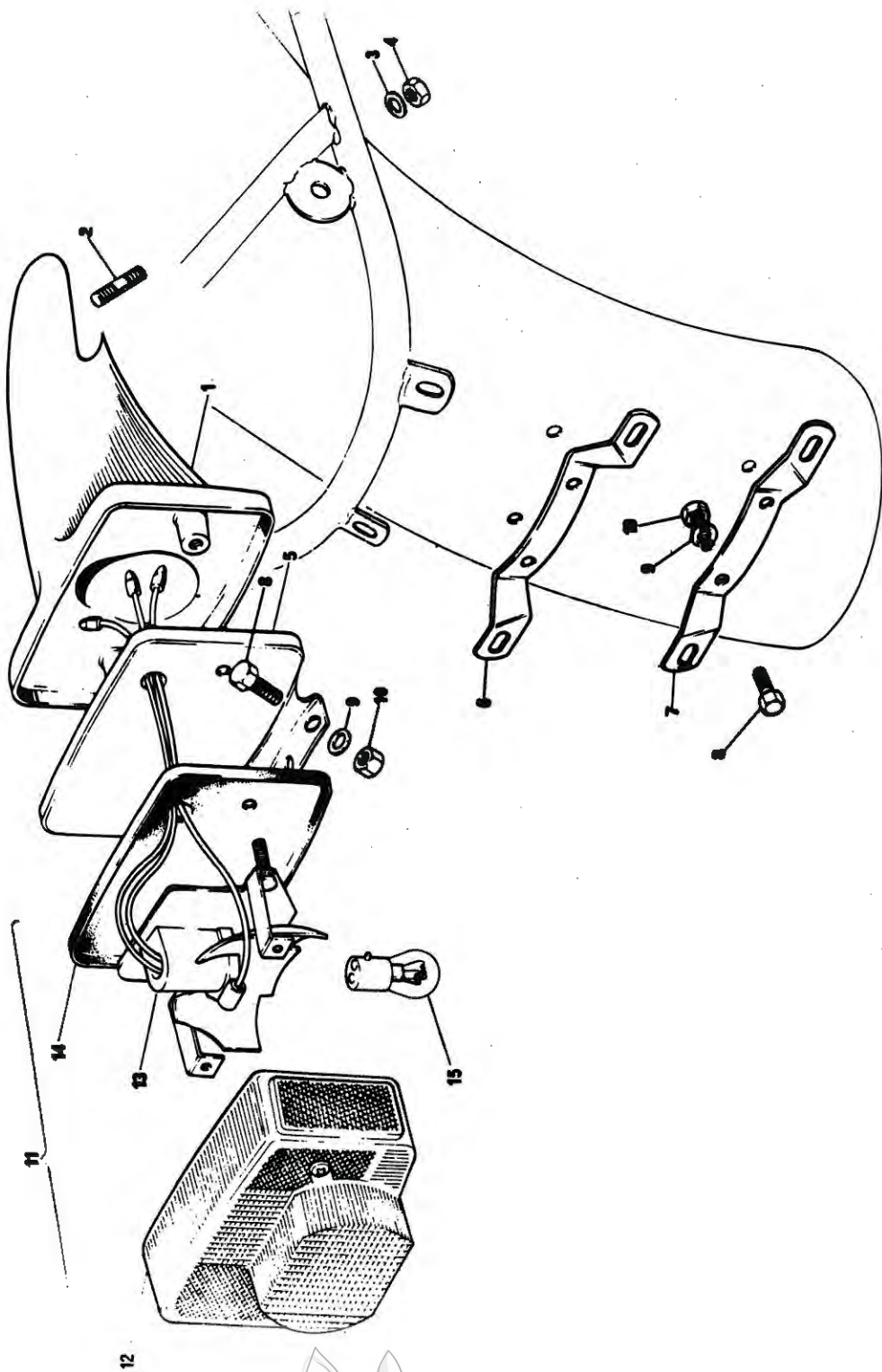
F E N D E R S

| | | | | |
|------------|---------|--------------------|---|-----------------------------------|
| 1 | 97-4439 | Front fender | 1 | |
| 2 | 97-4533 | Front stay | 1 | |
| 3 | 97-4534 | Centre stay | 1 | |
| 4 | 97-4535 | Bottom stay | 1 | |
| 5 | 14-0101 | Bolt | 6 | Stays to fender |
| 6 | 60-4245 | Washer | 6 | |
| 7 | 14-1201 | Nut | 6 | |
| 8 | 83-5151 | Bracket | 1 | Bracket to fork leg |
| 9 | 14-0103 | Bolt | 2 | |
| 10 | 60-2427 | Washer | 2 | |
| 11 | 14-0116 | Bolt | 2 | Front and centre stays to bracket |
| 12 | 60-2330 | Washer | 2 | |
| 13 | 14-1302 | Nut | 2 | |
| 14 | 14-6114 | Bolt | 2 | Bottom stay to fork leg |
| 15 | 60-2428 | Washer | 2 | |
| 16 | 83-4805 | Rear fender | 1 | |
| 17 | 14-0101 | Bolt | 2 | Fender top fixing |
| 18 | 60-2329 | Washer | 2 | |
| 19 | 14-1301 | Nut | 2 | |
| 20 | 14-0114 | Bolt | 2 | Fender front fixing |
| 21 | 60-2330 | Washer | 2 | |
| 22 | 14-1302 | Nut | 2 | |
| 23 | 83-4600 | Bridge—rear fender | 1 | Bridge to fender |
| 24 | 14-0102 | Bolt | 2 | |
| 25 | 60-2329 | Washer | 2 | |
| 26 | 14-1301 | Nut | 2 | Lifting handle to fender |
| 27 | 83-5145 | Lifting handle | 1 | |
| 28 | 14-0102 | Bolt | 2 | |
| 29 | 60-2329 | Washer | 2 | Cable grommet |
| 30 | 14-1301 | Nut | 2 | |
| Not illus. | 97-0961 | Cable grommet | 5 | |

ALTERNATIVE FITMENTS (NOT U.S.A.)

| | | |
|---------|--------------------|---|
| 97-4440 | Front mudguard | 1 |
| 83-4823 | Front number plate | 1 |
| 57-1076 | Screw | 2 |
| 71-2448 | "O" ring | 2 |
| 60-4249 | Washer | 2 |
| 83-2726 | Rear number plate | 1 |
| 14-0101 | Bolt | 4 |
| 60-2329 | Washer | 4 |
| 14-1301 | Nut | 4 |





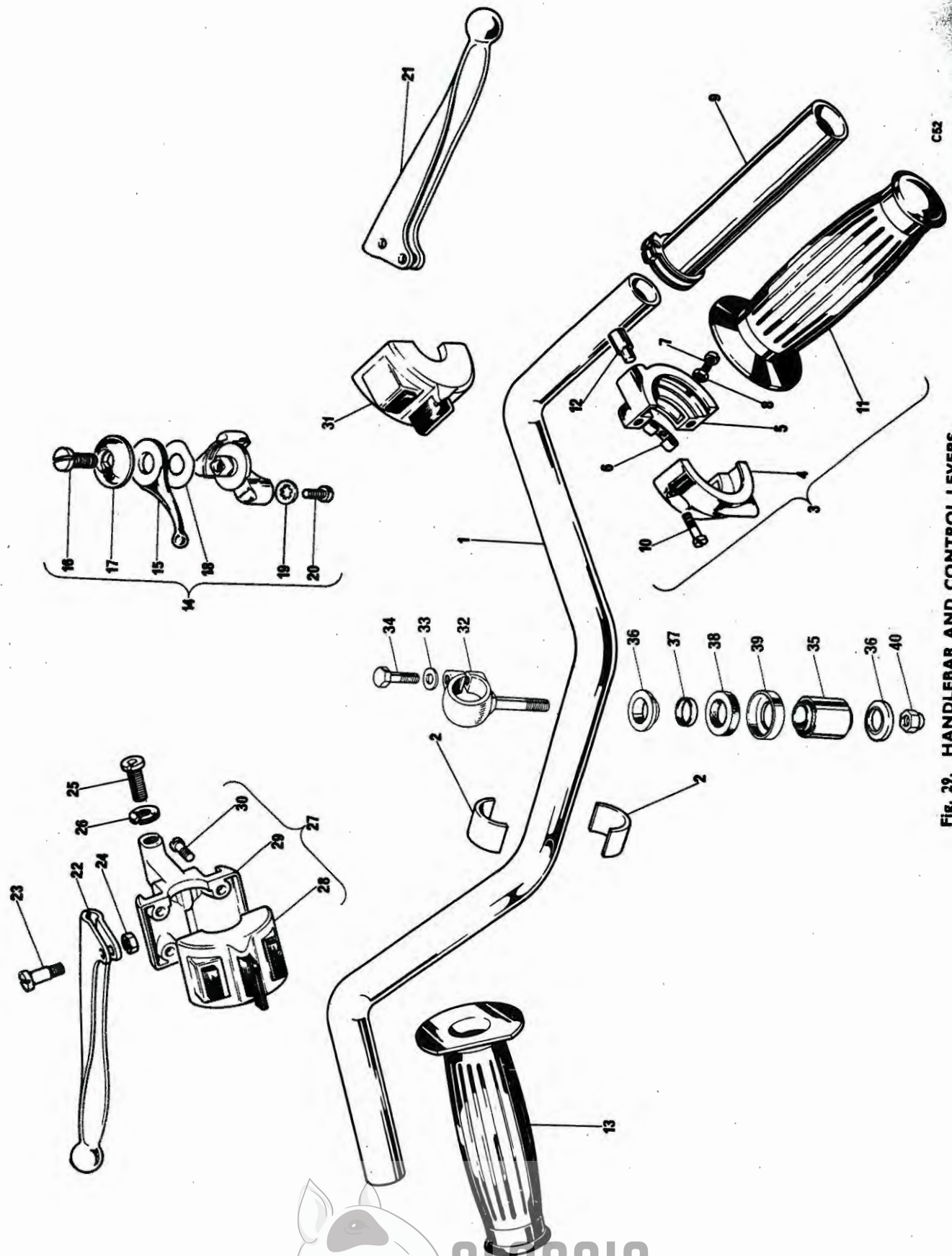
C56

Fig. 28. TAIL LAMP AND SUPPORT

TAIL LAMP AND SUPPORT

| Ref. No. | Part No. | DESCRIPTION | QUANTITY | REMARKS |
|------------|----------|---------------------------------------|----------|--|
| 1 | 83-4774 | Tail lamp support | 1 | |
| 2 | 21-2225 | Stud | 1 | |
| 3 | 60-4250 | Washer | 1 | Tail lamp support to fender |
| 4 | 14-0301 | Nut | 1 | |
| 5 | 83-5001 | Support plate | 1 | |
| 6 | 83-4784 | Rear no. plate bracket—top | 1 | |
| 7 | 82-6850 | Rear bo. plate bracket—bottom | 1 | |
| 8 | 14-0102 | Bolt | 4 | No. plate brackets and support plate to fender |
| 9 | 60-2329 | Washer | 4 | |
| 10 | 14-1301 | Nut | 4 | |
| Not illus. | 83-4806 | Wiring protector | 1 | |
| 11 | 56513 | STOP—TAIL LAMP—L917 (99-1252) | 1 | |
| 12 | 54584930 | Lens (complete with screws) (99-1257) | 1 | |
| 13 | 54534931 | Base assembly | | Reference only |
| 14 | 54583924 | Gasket | | Reference only |
| 15 | 380 | Bulb (99-0542) | 1 | |
| Not illus. | 60-4103 | Cable grommet | 5 | |
| Not illus. | 60-3748 | Decal '5 SPEED' | 1 | |
| Not illus. | 83-5105 | Grommet | 2 | |





CS2

FIG. 29. HANDLEBAR AND CONTROL LEVERS

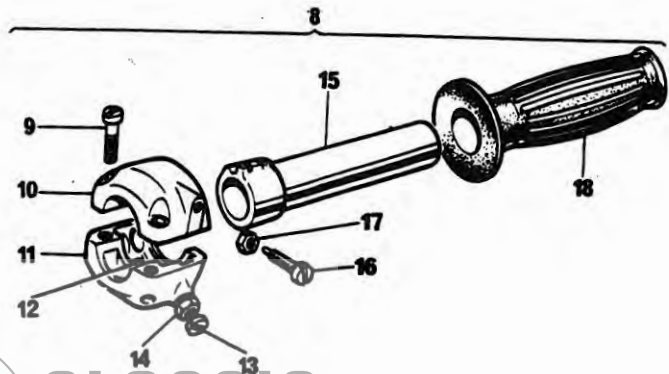
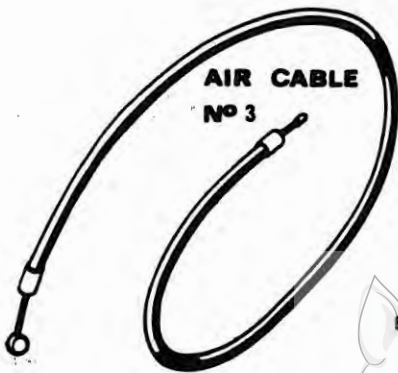
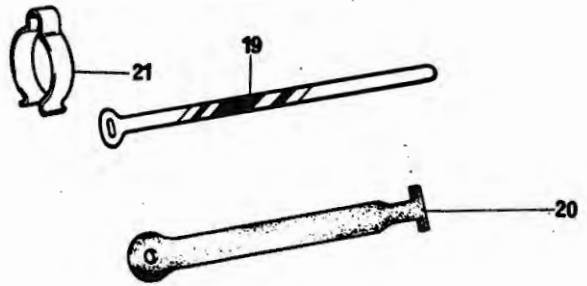
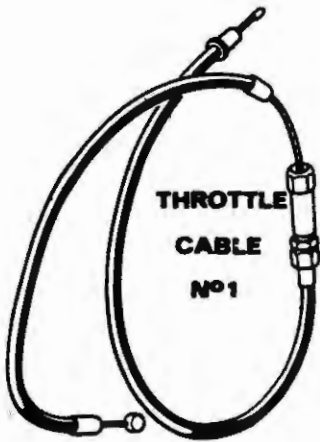
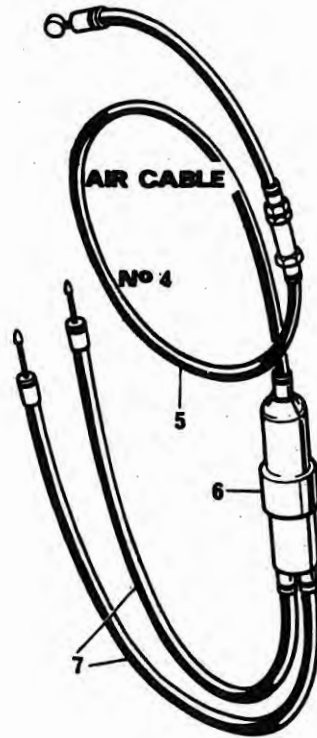
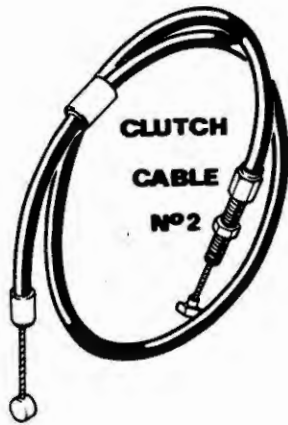

CLASSIC
 68
BIKE SPARES

HANDLEBARS AND CONTROL LEVERS

| | | | | |
|----|----------|--|----------------|--|
| 1 | 97-4411 | Handlebar (high) | 1 | |
| 1 | 97-4300 | Handlebar (low) | Alternative | |
| 2 | 97-1425 | Sleeve, handlebar mounting | 4 | |
| 3 | 16/364 | TWISTGRIP (99-0248) | 1 | |
| 4 | 16/328 | Body, top half (99-0245) | 1 | |
| 5 | 16/329 | BODY, BOTTOM HALF (99-0246) | 1 | |
| 6 | 16/008 | Friction spring | Reference only | |
| 7 | 16/009 | Screw | Reference only | |
| 8 | 16/010 | Locknut | Reference only | |
| 9 | 99-0244 | Rotor | 1 | |
| 10 | 11/013 | Screw (99-0225) | 2 | |
| 11 | 97-0958 | Grip | 1 | |
| 12 | 16/011 | Cable stop (99-0241) | 1 | |
| 13 | 97-2124 | Grip | 1 | |
| 14 | 60-3567 | AIR CONTROL LEVER | 1 | |
| 15 | 12/556 | Lever | Reference only | |
| 16 | 12/607 | Bolt | Reference only | |
| 17 | 12/606 | Cap | Reference only | |
| 18 | 12/033 | Spring washer | Reference only | |
| 19 | 60-4256 | Shakeproof washer | 2 | |
| 20 | 60-3896 | Screw | 2 | |
| 21 | *60-4391 | Front brake lever | Reference only | |
| 22 | 60-3981 | Clutch lever | 1 | |
| 23 | 21-2048 | Pivot pin | 1 | |
| 24 | 14-1201 | Nut | 1 | |
| 25 | 60-3585 | Adjuster | 2 | |
| 26 | 60-3586 | Lockring | 2 | |
| 27 | 39595 | HANDLEBAR SWITCH—L.H. | Reference only | |
| 28 | 54033666 | Switch half (99-1235) | 1 | |
| 29 | 54340882 | Lever half (99-1187) | 1 | |
| 30 | 54115246 | Screw (99-1188) | 4 | |
| 31 | 54033751 | Handlebar switch—R.H. (99-1268) | 1 | |
| 32 | 97-2291 | Handlebar eyebolt | 2 | |
| 33 | 82-1335 | Washer | 2 | |
| 34 | 21-0589 | Bolt | 2 | |
| 35 | 97-1527 | Metalastic bush | 2 | |
| 36 | 97-1529 | Hemispherical washer | 4 | |
| 37 | 97-1581 | Distance piece | 2 | |
| 38 | 97-1580 | Rubber washer | 2 | |
| 39 | 97-2221 | Cup | 2 | |
| 40 | 14-1303 | Nut | 2 | |

*Front brake and master cylinder details are shown on page 57





B26
Fig. 30. CONTROL CABLES

CLASSIC
BIKE SPARES

Ref. No. Part No.

DESCRIPTION

QUANTITY REMARKS

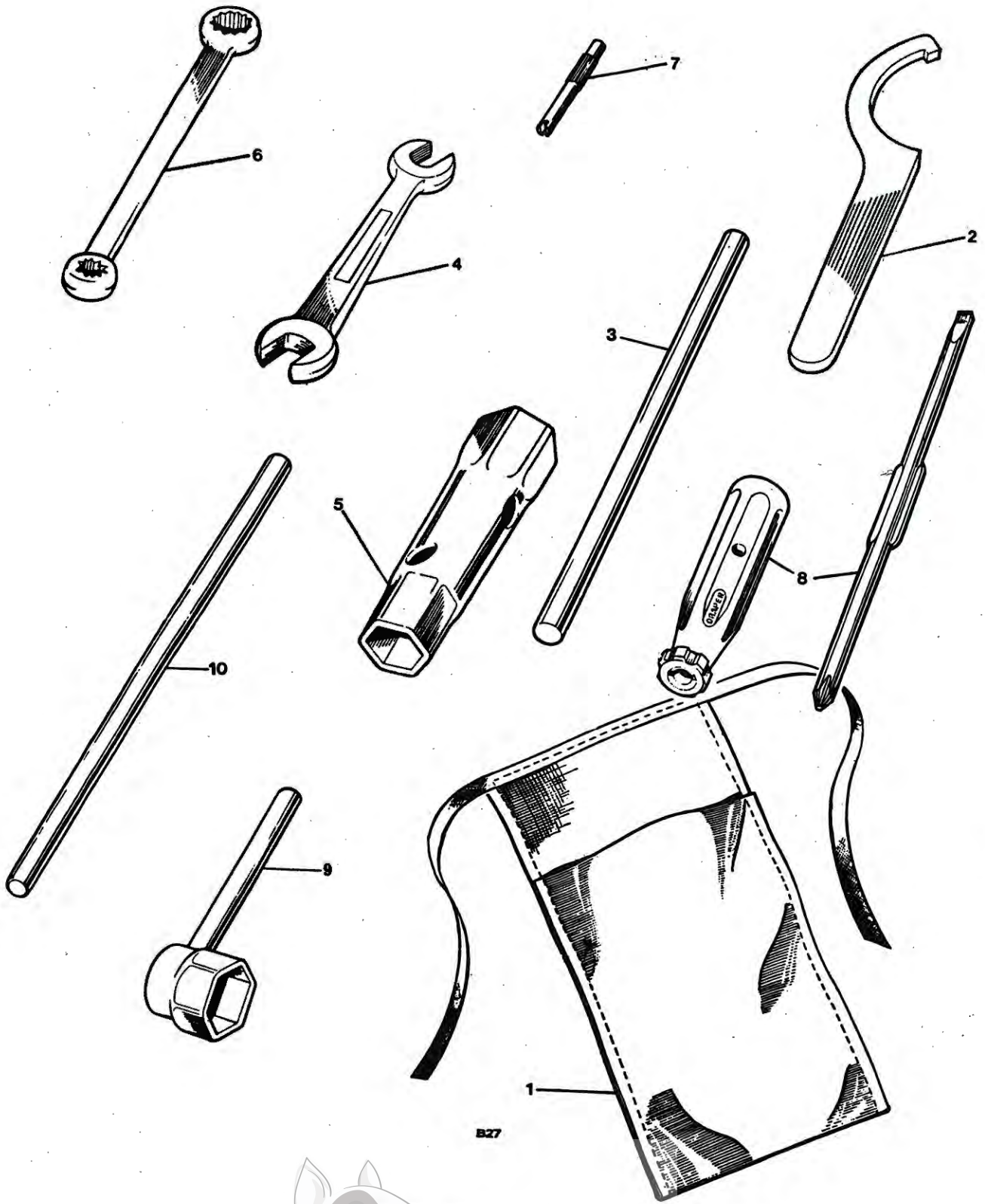
CONTROL CABLES

| Ref. No. | Part No. | DESCRIPTION | QUANTITY | REMARKS |
|----------|----------|--|----------|----------------|
| 1 | 60-1819 | Throttle cable | 2 | T140V |
| 1 | 60-1806 | Throttle cable | 1 | TR7RV |
| 2 | 60-3925 | Clutch cable | 1 | |
| 3 | 60-4194 | Air control cable | 1 | TR7RV |
| 4 | 60-4126 | AIR CONTROL CABLE | 1 | T140V |
| 5 | 60-4127 | Cable, lever to junction box | 1 | |
| 6 | 244/104 | Junction box (99-0341) | 1 | |
| 7 | 60-4128 | Cable, junction box to carburetor | 2 | |
| 8 | 313/13 | TWIN ROTOR TWISTGRIP (99-0347) | 1 | T140V |
| 9 | 18/084 | Screw | | Reference only |
| 10 | 313/020 | Body, top half | | Reference only |
| 11 | 313/021 | BODY, BOTTOM HALF | | Reference only |
| 12 | 16/008 | Friction spring | | Reference only |
| 13 | 210/007 | Screw | | Reference only |
| 14 | 5/077 | Nut | | Reference only |
| 15 | 313/004 | Rotor | | Reference only |
| 16 | 210/008 | Rotor stop screw | | Reference only |
| 17 | 5/077 | Nut—rotor stop screw | | Reference only |
| 18 | 97-2125 | Grip | 1 | |
| 19 | 60-0777 | Cable clip | 2 | |
| 20 | 60-4258 | Cable clip | 15 | |
| 21 | 97-4112 | Handlebar clip | 4 | |

ALTERNATIVE FITMENTS (NOT U.S.A.)

| | | | |
|---------|-----------------------|---|-------|
| 60-0732 | Throttle cable | 1 | T140V |
| 60-0746 | Throttle cable | 1 | TR7RV |
| 60-4168 | Clutch cable | 1 | |





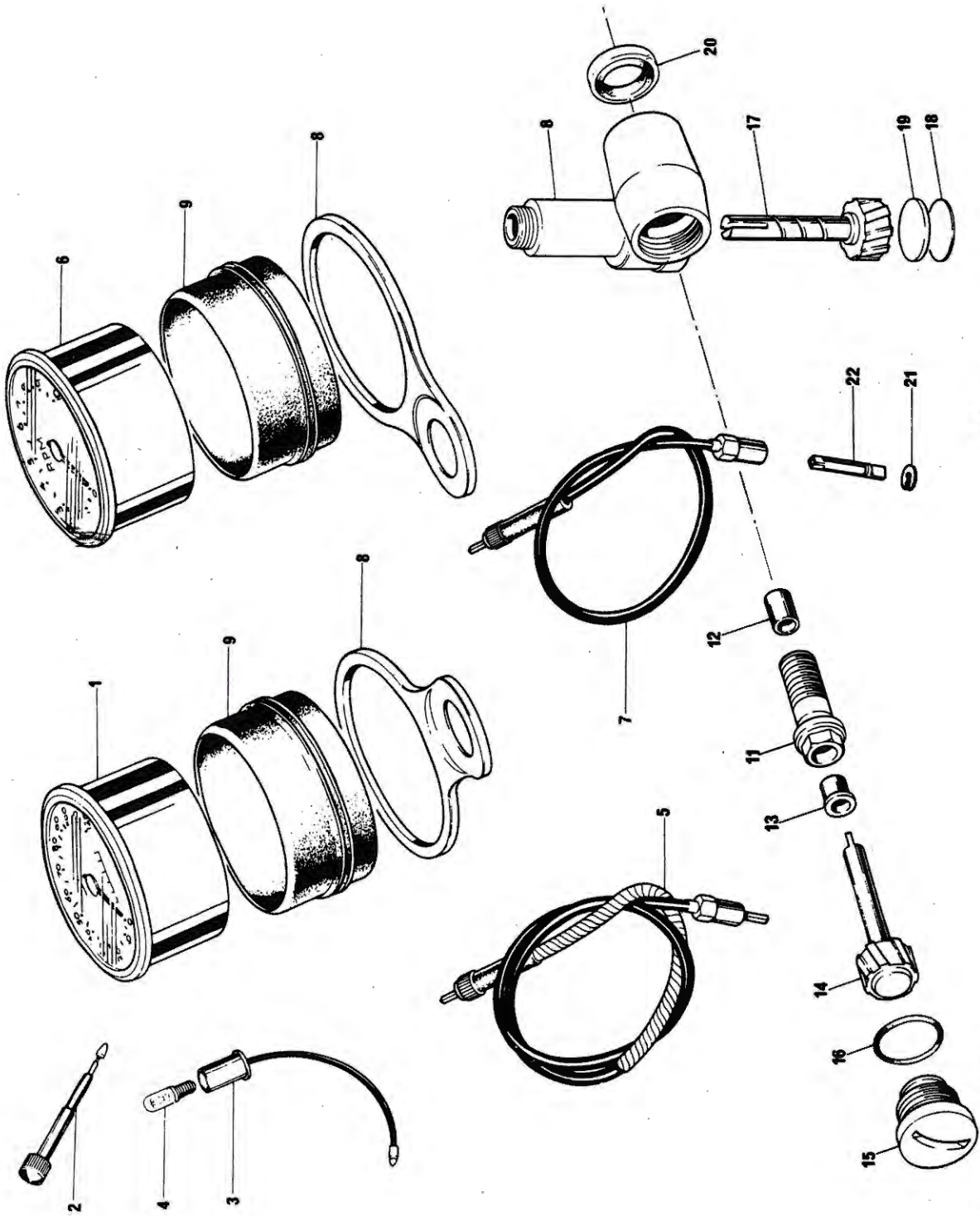
B27

| Ref. No. | Part No. | DESCRIPTION | QUANTITY | REMARKS |
|----------|----------|-------------|----------|---------|
|----------|----------|-------------|----------|---------|

TOOLKIT

| | | | | |
|------------|---------|--------------------------------------|-----------|--|
| | 60-2112 | TOOLKIT COMPLETE | 1 | |
| 1 | 60-0291 | Tool roll | 1 | |
| 2 | 60-2184 | Damper unit spanner | 1 | |
| 3 | 60-1911 | Tommy bar | 1 | |
| 4 | 60-2084 | Spanner—open ended | 1 | |
| 5 | 60-0971 | Box spanner | 1 | |
| 6 | 60-1907 | Ring spanner | 1 | |
| 7 | 60-0974 | Tyre valve key | 1 | |
| 8 | 60-0767 | Screw driver | 1 | |
| 9 | 60-1050 | Plug spanner | 1 | |
| 10 | 60-3711 | Tommy bar, rear wheel spindle | 1 | |
| Not illus. | 60-2599 | Licence holder | Available | |





B28

FIG. 32. SPEEDOMETER AND TACHOMETER

10 TACHOMETER GEARBOX COMPLETE

SPEEDOMETER AND TACHOMETER

| Ref. No. | Part No. | DESCRIPTION | QUANTITY | REMARKS |
|------------|---------------|---------------------------------------|----------|-----------------------------|
| 1 | SSM5007/00 | Speedometer head (60-2394) | 1 | |
| 1 | SSM5007/01 | Speedometer head—KPH (60-2395) | 1 | Alternative |
| 2 | 41-148-203-10 | Trip control (99-0176) | 1 | |
| 3 | 54959626 | Bulb holder | 1 | Reference only |
| 4 | 643 | Bulb (3W.MES) | 1 | Reference only |
| 5 | 60-3376 | Speedometer cable | 1 | |
| 6 | RSM3003/13 | Tachometer head (60-2396) | 1 | |
| 7 | 60-3933 | Tachometer cable | 1 | |
| 8 | 97-4026 | Mounting bracket | 2 | |
| 9 | 60-2600 | Rubber cup | 2 | |
| 10 | 71-2475 | TACHOMETER GEARBOX | 1 | |
| 11 | 70-9332 | SECURING SCREW | 1 | |
| 12 | 70-5156 | Bush | 1 | Reference only |
| 13 | 70-5155 | Flanged bush | 1 | Reference only |
| 14 | 70-5157 | Driving gear | 1 | |
| 15 | 71-2480 | End cap | 1 | |
| 16 | 60-3355 | 'O' ring | 1 | |
| 17 | 71-2653 | Driven gear | 1 | |
| 18 | 71-2481 | Welch washer | 1 | |
| 19 | 71-2482 | Spacer | 1 | |
| 20 | 70-7351 | Sealing washer | 1 | |
| 21 | 60-0494 | Circlip | 1 | |
| 22 | 31-371-398 | Spade (99-0173) | 1 | |
| Not illus. | 60-2391 | Washer | 4 | } Speedo and Tacho mounting |
| Not illus. | 21-0778 | Nut | 4 | |



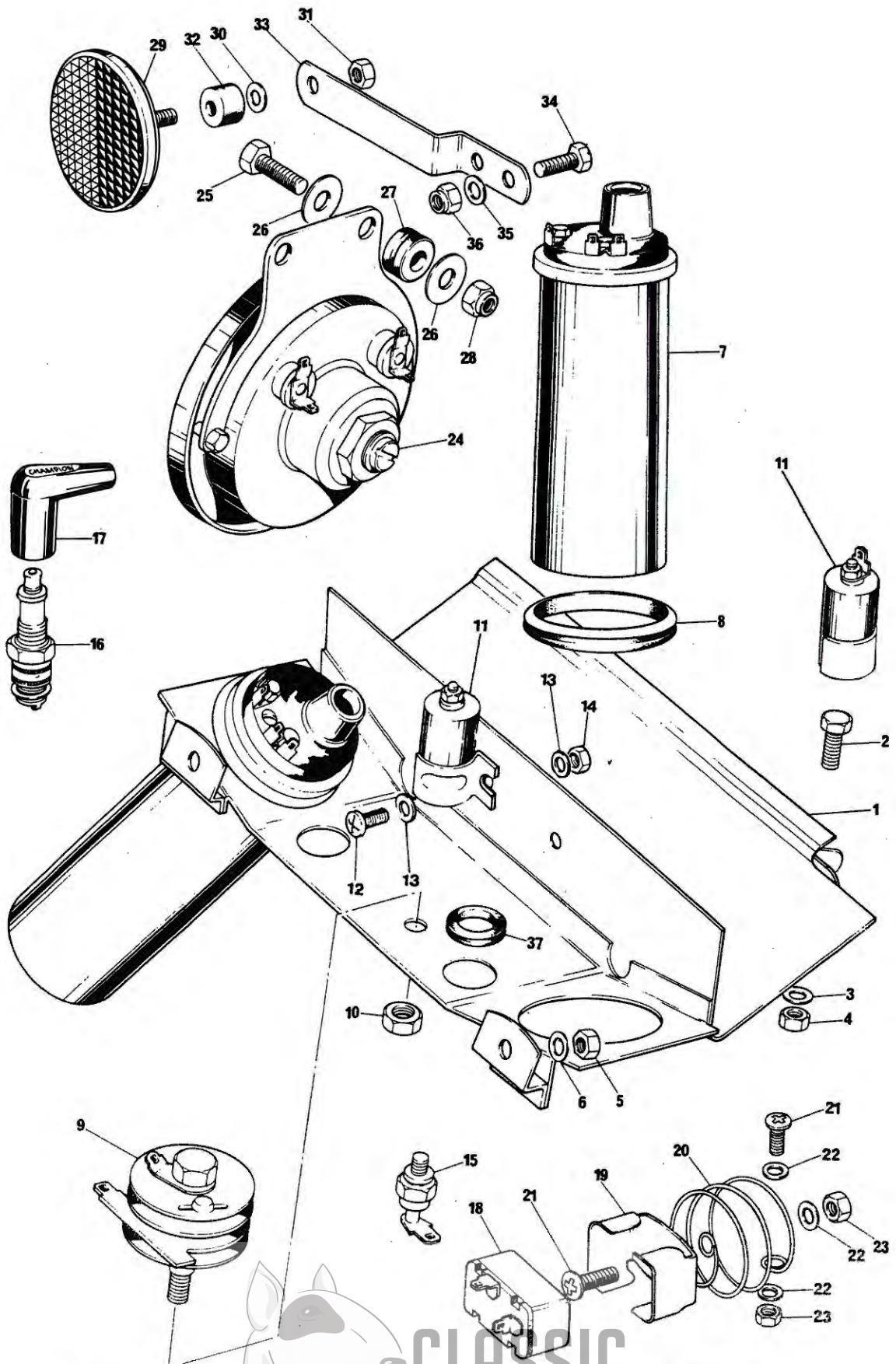


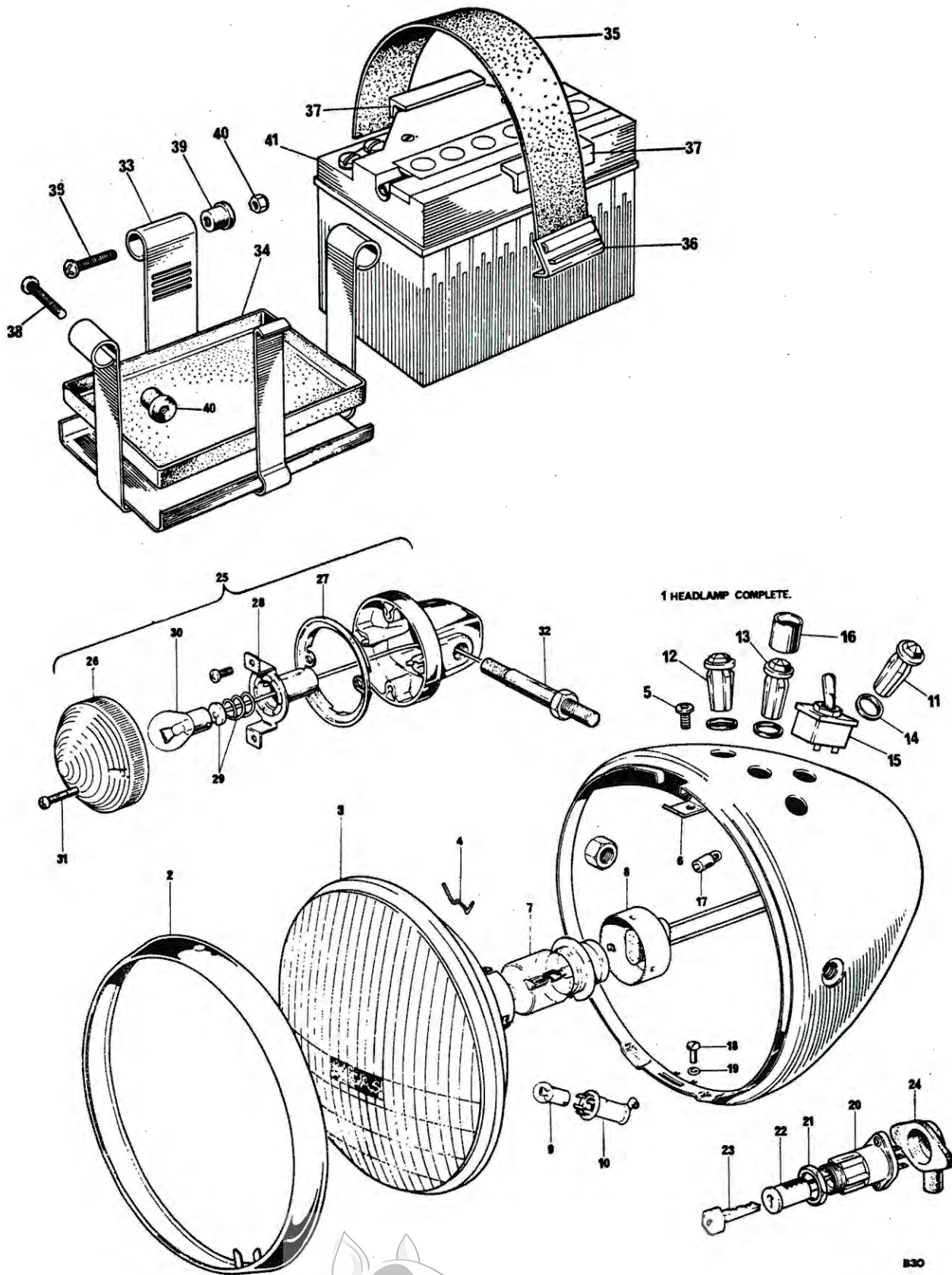
Fig. 33. COIL, CAPACITOR PACK, FLASHER UNIT, ZENER DIODE AND HORN

CLASSIC
BIKE SPARES

ELECTRICAL COMPONENTS

| Ref. No. | Part No. | Description | Quantity | Remarks |
|----------|----------|---|----------|-----------------------------------|
| 1 | 83-4601 | Mounting platform—electrical components | 1 | |
| 2 | 14-0102 | Bolt | 2 | |
| 3 | 60-2329 | Washer | 2 | Mounting platform attachment—rear |
| 4 | 14-1201 | Nut | 2 | |
| 5 | 14-1301 | Nut | 2 | Front attachment |
| 6 | 60-2329 | Washer | 2 | |
| 7 | 45223 | Ignition coil (17-M-12) (60-2203) | 2 | |
| 8 | 82-9561 | Coil grommet | 2 | |
| 9 | 49072 | Rectifier (99-0589) | 1 | |
| 10 | 82-5338 | Nut | 1 | |
| 11 | 54441582 | Condenser (99-0776) | 2 | |
| 12 | 21-2079 | Screw | 2 | Condenser attachment |
| 13 | 60-2391 | Washer | 4 | |
| 14 | 21-0778 | Nut | 2 | |
| 15 | 49345 | Zener diode (99-0590) | 1 | |
| 16 | N3 | Sparking plug | | Reference only |
| 17 | 60-0262 | Plug cover (Champion WC 200) | 2 | |
| 18 | 35048 | Flasher unit (99-1201) | 1 | |
| 19 | 54385091 | Clip, flasher unit (99-1204) | 1 | |
| 20 | 60-3614 | Spring | 1 | Flasher unit attachment |
| 21 | 21-2079 | Screw | 2 | |
| 22 | 60-2391 | Washer | 3 | |
| 23 | 21-0778 | Nut | 2 | |
| 24 | 70228 | Horn—6H (99-1245) | 1 | |
| 25 | 14-0103 | Bolt | 2 | Horn attachment |
| 26 | 60-2347 | Washer | 4 | |
| 27 | 60-3161 | Grommet | 2 | |
| 28 | 14-1301 | Nut | 2 | |
| 29 | 57183 | Reflector—Amber (99-1161) | 2 | |
| 30 | 60-2391 | Washer | 2 | Reflector mounting |
| 31 | 82-4717 | Nut | 2 | |
| 32 | 83-3522 | Mounting rubber | 2 | |
| 33 | 83-3764 | Reflector bracket | 2 | |
| 34 | 21-2120 | Bolt | 4 | Bracket to frame |
| 35 | 60-2391 | Washer | 4 | |
| 36 | 21-0778 | Nut | 4 | |





HEADLAMP AND FLASHER LAMPS

| | | | | | | | | |
|------------|----------|-----------------------------------|----------------------------|-----|-----|-----|-----|----------------|
| 1 | 60512 | HEADLAMP COMPLETE (99-1267) | ... | ... | ... | ... | 1 | |
| 2 | 553248 | Rim (99-0692) | ... | ... | ... | ... | 1 | |
| 3 | 516801 | Light unit (99-1156) | ... | ... | ... | ... | 1 | |
| 4 | 504665 | Fixing wire (99-0683) | ... | ... | ... | ... | 6 | |
| 5 | 144921 | Screw | ... | ... | ... | ... | ... | Reference only |
| 6 | 534296 | Plate | ... | ... | ... | ... | ... | Reference only |
| 7 | 370 | Main bulb (45/35W) (99-1214) | ... | ... | ... | ... | 1 | |
| 8 | 554602 | Bulbholder | ... | ... | ... | ... | ... | Reference only |
| 9 | 989 | Pilot bulb (99-0548) | ... | ... | ... | ... | 1 | |
| 10 | 54573590 | Pilot bulbholder (99-1213) | ... | ... | ... | ... | 1 | |
| 11 | 54363454 | Warning light (Red) (99-1208) | ... | ... | ... | ... | 1 | |
| 12 | 54363455 | Warning light (Green) (99-1209) | ... | ... | ... | ... | 1 | |
| 13 | 54363453 | Warning light (Amber) (99-1207) | ... | ... | ... | ... | 1 | |
| 14 | 54140331 | Sealing washer (99-1210) | ... | ... | ... | ... | 3 | |
| 15 | 34419 | Light switch (99-1251) | ... | ... | ... | ... | 1 | |
| 16 | 54525212 | Shield, warning light | ... | ... | ... | ... | ... | Reference only |
| 17 | 281 | Bulb, warning light (99-0537) | ... | ... | ... | ... | 3 | |
| 18 | 54115106 | Screw, headlamp fixing (99-1223) | ... | ... | ... | ... | 2 | |
| 19 | 143086 | Washer, headlamp fixing (99-1224) | ... | ... | ... | ... | 2 | |
| Not illus. | 54961593 | Wiring harness (99-1259) | ... | ... | ... | ... | 1 | |
| 20 | 31899 | IGNITION SWITCH (99-0558) | ... | ... | ... | ... | 1 | |
| 21 | 54130041 | Nut | ... | ... | ... | ... | ... | Reference only |
| 22 | 82-6981 | IGNITION LOCK C/W KEY | ... | ... | ... | ... | 1 | |
| 23 | 60-0622 | Key (state serial number) | ... | ... | ... | ... | ... | As required |
| 24 | 97-2262 | Cover, ignition switch | ... | ... | ... | ... | 1 | |
| 25 | 56147 | FLASHER LAMP (99-1190) | ... | ... | ... | ... | 4 | |
| 26 | 54581638 | Lens (99-1191) | ... | ... | ... | ... | 1 | |
| 27 | 54580300 | Gasket | ... | ... | ... | ... | ... | Reference only |
| 28 | 554548 | Bulbholder | ... | ... | ... | ... | ... | Reference only |
| 29 | 573832 | Interior assembly | ... | ... | ... | ... | ... | Reference only |
| 30 | 382 | Bulb (99-1192) | ... | ... | ... | ... | 1 | |
| 31 | 54123401 | Screw (99-1193) | ... | ... | ... | ... | 2 | |
| 32 | 60600092 | Stanchion, flasher lamp (99-1246) | ... | ... | ... | ... | 4 | |
| 33 | 83-3325 | Battery carrier | ... | ... | ... | ... | 1 | |
| 34 | 82-8091 | Carrier tray | ... | ... | ... | ... | 1 | |
| 35 | 82-9353 | Retaining strap | ... | ... | ... | ... | 1 | |
| 36 | 83-3849 | Buckle | ... | ... | ... | ... | 1 | |
| 37 | 82-7380 | Protective strip | ... | ... | ... | ... | 4 | |
| 38 | 83-2508 | Shoulder screw | ... | ... | ... | ... | 3 | |
| 39 | 82-6039 | Rubber bush | } Battery carrier mounting | | ... | ... | 3 | |
| 40 | 14-1301 | Nut | ... | ... | ... | ... | 1 | |
| 41 | 54027029 | Battery—PUZ5A (99-0719) | ... | ... | ... | ... | 1 | |



STANDARD HARDWARE SPECIFICATION BOLTS

| Part No. | Material | Thd. dia. | Length under head | Min. length of thread | Hexagon A.F. |
|----------|----------|----------------------|-------------------|-----------------------|--------------|
| 21-1822 | Steel | $\frac{1}{8}$ " UNF | $\frac{1}{2}$ " | $\frac{3}{4}$ " | 0.500" |
| 21-1910 | " | $\frac{3}{16}$ " UNF | $\frac{1}{2}$ " | $\frac{1}{2}$ " | 0.565" |
| 21-1919 | " | $\frac{1}{4}$ " UNC | $\frac{1}{2}$ " | $\frac{1}{2}$ " | 0.500" |
| 21-2010 | " | $\frac{1}{4}$ " UNF | $\frac{1}{2}$ " | $\frac{3}{8}$ " | 0.375" |
| 14-0101 | " | $\frac{1}{4}$ " UNF | $\frac{1}{2}$ " | | 0.438" |
| 14-0102 | " | $\frac{1}{4}$ " UNF | $\frac{3}{8}$ " | | 0.438" |
| 14-0103 | " | $\frac{1}{4}$ " UNF | $\frac{3}{8}$ " | | 0.438" |
| 14-0113 | " | $\frac{3}{16}$ " UNF | $\frac{3}{8}$ " | | 0.500" |
| 14-0114 | " | $\frac{3}{16}$ " UNF | $\frac{3}{8}$ " | | 0.500" |
| 14-0115 | " | $\frac{3}{16}$ " UNF | $\frac{7}{8}$ " | | 0.500" |
| 14-0128 | " | $\frac{3}{16}$ " UNF | 1" | | 0.563" |
| 14-0208 | " | $\frac{1}{2}$ " UNF | $2\frac{1}{2}$ " | $\frac{3}{8}$ " | 0.438" |
| 14-0216 | " | $\frac{3}{16}$ " UNF | $1\frac{1}{2}$ " | $\frac{1}{2}$ " | 0.500" |
| 14-0217 | " | $\frac{3}{16}$ " UNF | $1\frac{1}{2}$ " | $\frac{1}{2}$ " | 0.500" |
| 14-0219 | " | $\frac{3}{16}$ " UNF | $1\frac{1}{2}$ " | $\frac{1}{2}$ " | 0.500" |
| 14-0220 | " | $\frac{3}{16}$ " UNF | $1\frac{1}{2}$ " | $\frac{1}{2}$ " | 0.500" |
| 14-0225 | " | $\frac{3}{16}$ " UNF | 3" | $\frac{1}{2}$ " | 0.500" |
| 14-0228 | " | $\frac{3}{16}$ " UNF | 4" | $\frac{1}{2}$ " | 0.500" |
| 14-0234 | " | $\frac{3}{16}$ " UNF | $1\frac{1}{2}$ " | 1" | 0.563" |
| 14-0236 | " | $\frac{3}{16}$ " UNF | $2\frac{1}{2}$ " | 1" | 0.563" |
| 14-0239 | " | $\frac{3}{16}$ " UNF | 3" | 1" | 0.563" |
| 14-0240 | " | $\frac{3}{16}$ " UNF | $3\frac{1}{2}$ " | 1" | 0.563" |
| 14-0242 | " | $\frac{3}{16}$ " UNF | 4" | 1" | 0.563" |
| 14-0251 | " | $\frac{7}{16}$ " UNF | $2\frac{1}{2}$ " | $1\frac{1}{2}$ " | 0.625" |
| 14-6102 | " | $\frac{1}{2}$ " UNC | $\frac{5}{8}$ " | | 0.438" |
| 14-6115 | " | $\frac{1}{2}$ " UNC | $\frac{7}{8}$ " | | 0.500" |

NUTS

| Part No. | Material | Thd. dia. | Hexagon A.F. | Thickness | Remarks |
|----------|----------|----------------------|--------------|-----------|-----------|
| 21-0778 | Steel | No. 10 UNF | 0.375" | 0.225" | Cleaveloc |
| 21-1852 | " | $\frac{1}{8}$ " UNF | 0.437" | 0.330" | Philidas |
| 21-1906 | " | $\frac{1}{4}$ " UNF | 0.438" | 0.188" | Plain |
| 21-1908 | " | $\frac{1}{4}$ " UNF | 0.438" | 0.313" | Plain |
| 21-1914 | " | $\frac{3}{8}$ " UNEF | 1.125" | 0.250" | Plain |
| 21-2012 | " | $\frac{3}{8}$ " UNEF | 1.313" | 0.438" | Plain |
| 21-2013 | " | $\frac{3}{8}$ " UNEF | 1.313" | 0.313" | Plain |
| 21-2014 | " | $\frac{3}{8}$ " UNEF | 1.313" | 0.438" | Plain |
| 14-0301 | " | $\frac{1}{4}$ " UNF | 0.438" | 0.224" | Plain |
| 14-0302 | " | $\frac{3}{16}$ " UNF | 0.500" | 0.271" | Plain |
| 14-0401 | " | $\frac{1}{2}$ " UNF | 0.438" | 0.161" | Lock |
| 14-0402 | " | $\frac{7}{16}$ " UNF | 0.500" | 0.192" | Lock |
| 14-0403 | " | $\frac{3}{8}$ " UNF | 0.563" | 0.224" | Lock |
| 14-0701 | " | $\frac{1}{4}$ " UNF | 0.438" | 0.203" | Philidas |
| 14-0702 | " | $\frac{3}{16}$ " UNF | 0.500" | 0.246" | Philidas |
| 14-0703 | " | $\frac{3}{16}$ " UNF | 0.563" | 0.296" | Philidas |
| 14-1201 | " | $\frac{1}{4}$ " UNF | 0.438" | 0.285" | Stiffnut |
| 14-1202 | " | $\frac{3}{16}$ " UNF | 0.500" | 0.335" | Stiffnut |
| 14-1301 | " | $\frac{1}{4}$ " UNF | 0.438" | 0.245" | Stiffnut |
| 14-1302 | " | $\frac{3}{16}$ " UNF | 0.500" | 0.290" | Stiffnut |
| 14-1303 | " | $\frac{3}{16}$ " UNF | 0.563" | 0.320" | Stiffnut |
| 14-1304 | " | $\frac{7}{16}$ " UNF | 0.688" | 0.375" | Stiffnut |
| 14-1305 | " | $\frac{1}{2}$ " UNF | 0.750" | 0.435" | Stiffnut |
| 14-1902 | " | $\frac{3}{8}$ " UNF | 0.500" | 0.361" | Nyloc |
| 14-1903 | " | $\frac{3}{8}$ " UNF | 0.563" | 0.375" | Nyloc |



SCREWS

| Part No. | Type of head | Material | Thd. dia. | Length under head | Type of drive |
|----------|-------------------|----------|----------------------|-------------------|---------------|
| 21-1916 | Cheese head | Steel | $\frac{1}{4}$ " UNC | $1\frac{1}{8}$ " | Cross recess |
| 21-1917 | Cheese head | " | $\frac{1}{4}$ " UNC | $2\frac{1}{8}$ " | Cross recess |
| 21-1918 | Cheese head | " | $\frac{1}{4}$ " UNC | $2\frac{3}{8}$ " | Cross recess |
| 21-1920 | Hex. head | " | $\frac{1}{4}$ " UNC | $2\frac{1}{4}$ " | |
| 21-1929 | Countersunk (82°) | " | $\frac{1}{4}$ " UNC | $1\frac{1}{2}$ " | Slot |
| 21-2079 | Cheese head | " | No. 10 UNF | $\frac{1}{2}$ " | Pozidrive |
| 14-0604 | Cheese head | " | $\frac{1}{4}$ " UNF | $\frac{1}{2}$ " | Cross recess |
| 14-6505 | Countersunk (82°) | " | $\frac{1}{4}$ " UNC | $\frac{7}{8}$ " | Cross recess |
| 14-6607 | Cheese head | " | $\frac{1}{4}$ " UNC | $\frac{7}{8}$ " | Cross recess |
| 14-6608 | Cheese head | " | $\frac{1}{4}$ " UNC | 1" | Cross recess |
| 14-6609 | Cheese head | " | $\frac{1}{4}$ " UNC | $1\frac{1}{4}$ " | Cross recess |
| 14-7019 | Socket head | " | $\frac{7}{16}$ " UNC | $\frac{7}{8}$ " | Hex. socket |
| 14-7024 | Socket head | " | $\frac{7}{16}$ " UNC | 2" | Hex. socket |

WASHERS—PLAIN

| Part No. | Material | i/dia. | o/dia. | Thickness |
|----------|----------|--------|--------|-----------|
| 60-4245 | Steel | 0.273" | 0.563" | 0.048" |
| 60-4246 | Steel | 0.398" | 0.750" | 0.063" |
| 60-4247 | Steel | 0.336" | 0.625" | 0.063" |
| 37-2027 | Steel | 0.531" | 1.031" | 0.092" |
| 60-4248 | Steel | 0.266" | 0.469" | 0.064" |

WASHERS—SPRING

| Part No. | Material | i/dia. | o/dia. | o/a height | Thickness |
|----------|--------------|---------------------------|-------------------|------------------|-----------|
| 60-4259 | Spring Steel | $\frac{3}{8}$ " clearance | $\frac{11}{16}$ " | $\frac{7}{16}$ " | 0.104" |
| 60-4250 | " " | $\frac{1}{2}$ " clearance | $\frac{11}{16}$ " | $\frac{7}{16}$ " | 0.064" |
| 60-3541 | " " | $\frac{17}{32}$ " | $\frac{7}{8}$ " | $\frac{7}{16}$ " | 0.040** |
| 21-0648 | " " | $\frac{1}{2}$ " clearance | $\frac{1}{2}$ " | $\frac{7}{16}$ " | 0.080" |

** Double coil.



Printed in England

