



20-10150C

Replacement parts list 1972

650 and 750cm³ Twins

Publication Ref.
00-5733





Replacement parts list 650 and 750cm³ Twins

- A65T Thunderbolt**
- A65T Thunderbolt** Home and General Export
- A65L Lightning**
- A65L Lightning** Home and General Export
- A70 Twin**
- A70 Twin** Home and General Export

Commencing	JG.00101	A65T
Engine number	JG.00101	A65L
	JG.00101	A70L
Frame number	XG.00101	A65

Issued by
B.S.A. Motor Cycles Limited
Spares Department,
Montgomery Street,
Birmingham B11 1DZ.
Telephone: 021 - 772 0559/0537
Telegrams: "Selmoto" Birmingham

B.S.A. Motor Cycles Limited
Registered Office and Works:
Armoury Road, Birmingham B11 2PX.
Telephone: 021 - 772 2381. Telex: 33315
Telegrams and Cables:
"Selmoto" Birmingham

1972 Publication
Ref. 00-5733

Printed in England
by B.S.A. Press



BRAKES (LOCKHEED):

AUTOMOTIVE PRODUCTS CO. LTD., P.O. BOX 14, SOUTHAM
ROAD, BANBURY, OXFORDSHIRE.

CARBURETTORS:

AMAL LTD., HOLDFORD ROAD, WITTON, BIRMINGHAM 6.

CHAINS:

RENOLDS CHAINS LTD., WYTHENSHAW, MANCHESTER.

ELECTRICAL EQUIPMENT:

J. LUCAS LTD., GREAT HAMPTON STREET, BIRMINGHAM 18.

SUSPENSION UNITS:

GIRLING LTD., BIRMINGHAM ROAD, WEST BROMWICH, STAFFORDSHIRE.

SPARKING PLUGS:

CHAMPION SPARKING PLUG CO. LTD., FELTHAM, MIDDLESEX.

SPEEDOMETERS:

SMITH'S INDUSTRIES LTD., MOTOR ACCESSORIES DIVISION, 50 OXGATE
LANE, CRICKLEWOOD, LONDON N.W.2.

TYRES:

DUNLOP CO. LTD., FORT DUNLOP, BIRMINGHAM 24.



ASSEMBLIES COMPLETE

<i>Model</i>	<i>Spares No.</i>	<i>Description</i>
L T	00-3176	TOP OVERHAUL GASKET SET.
L T	00-3318	FULL OVERHAUL GASKET SET.
	00-7009	LOCTITE PLASTIC GASKET (10 bottle trade pack).
L	71-2310	ENGINE UNIT — 20T gearbox sprocket (less carburetters and exhaust system).
L	71-2311	ENGINE UNIT — close ratio gears, 20T gearbox sprocket (less carburetters and exhaust system).
T	71-2313	ENGINE UNIT — 20T gearbox sprocket (less carburetters and exhaust system).
L T	71-1151	CRANKSHAFT AND FLYWHEEL ASSEMBLY.
L T	68-3270	CLUTCH COMPLETE.
L T	71-2413	OIL PUMP COMPLETE.
L T	83-2802	FRAME COMPLETE.
L T	97-4338	FRONT FORK COMPLETE.
L T	37-3847	FRONT WHEEL WITH SPINDLE, BEARINGS AND BRAKE.
L T	37-3846	FRONT WHEEL WITH SPINDLE AND BEARINGS.
L T	37-3848	FRONT HUB WITH SPINDLE AND BEARINGS.
L T	37-3935	FRONT BRAKE ANCHOR PLATE WITH BRAKE.
L T	37-3780	REAR WHEEL WITH SPINDLE AND BEARINGS.
L T	37-3985	REAR HUB WITH SPINDLE AND BEARINGS.
L T	37-3878	REAR BRAKE ANCHOR PLATE WITH BRAKE.



PISTON CHART

PISTON COMPLETE

Model	Compression Ratio	Standard	$\pm \frac{1}{2}$ mm.	± 1 mm.
L T	9.0	68-0906	68-0908	68-0910
	7.5	68-0819	71-3178	71-3179

PISTON RINGS (STANDARD)

Model	COMPRESSION	TAPER	SCRAPER
L T	68-0256	68-0357	68-0259

PISTON RING ($\pm \frac{1}{2}$ mm.)

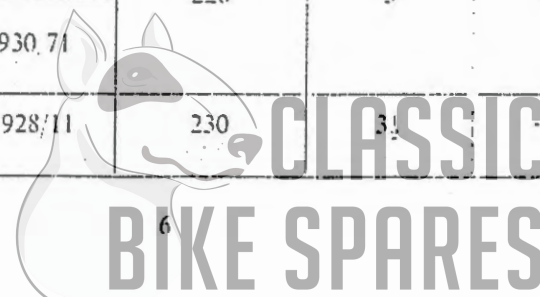
Model	COMPRESSION	TAPER	SCRAPER
L T	68-0257	68-0358	68-0260

PISTON RING (± 1 mm.)

Model	COMPRESSION	TAPER	SCRAPER
L T	68-0258	68-0359	68-0261

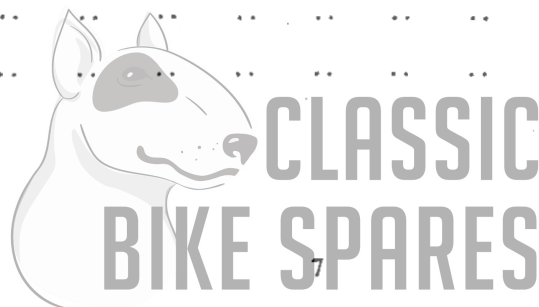
CARBURETTORS

Model	Spares No.	Amal No.	Main Jet	Throttle Slide	Needle Jet	Needle Position
L	19-2436 (right)	R.930.70	220	3	-105	1
	19-2437 (left)	L.930.71				
T	19-2422	R.928/11	230	3	-106	1



INDEX

	ASSEMBLIES COMPLETE	Page 5
	PISTON CHART	Page 6
	CARBURETTER SETTINGS	Page 6
Plate 1	CYLINDER HEAD — ROCKERS	Page 8 - 11
Plate 2	CYLINDER BARREL — EXHAUST PIPES — VALVES	Page 12 - 13
Plate 3	CRANKSHAFT — PISTONS	Page 14 - 15
Plate 4	CRANKCASE — GENERATOR	Page 16 - 17
Plate 5	OIL PUMP — GEARBOX SPROCKET — PRESSURE RELEASE VALVE	Page 18 - 19
Plate 6	GEAR CLUSTER — CAMSHAFT	Page 20 - 23
Plate 7	INNER TIMING COVER — GEARCHANGE MECHANISM	Page 24 - 25
Plate 8	OUTER TIMING COVER — KICKSTART — FOOTCHANGE	Page 26 - 27
Plate 9	CLUTCH — PRIMARY COVER	Page 28 - 31
Plate 10	FRAME — BATTERY CARRIER — ENGINE SHIELD	Page 32 - 35
Plate 11	SWINGING ARM — CENTRE STAND — REAR BRAKE CONTROL	Page 36 - 37
Plate 12	SUPPORT RAIL — FOOTRESTS — COIL PLATFORM	Page 38 - 39
Plate 13	TWINSEAT — CHAINGUARD — SILENCER	Page 40 - 41
Plate 14	SIDECOVERS — AIR CLEANER	Page 42 - 43
Plate 15	FRONT FORK	Page 44 - 47
Plate 16	FRONT WHEEL	Page 48 - 49
Plate 17	REAR WHEEL	Page 50 - 51
Plate 18	MUDGUARDS	Page 52 - 53
Plate 19	HANDLEBAR — CONTROLS — FUEL TANK	Page 54 - 57
Plate 20	ELECTRICAL EQUIPMENT (PART 1)	Page 58 - 61
Plate 21	ELECTRICAL EQUIPMENT (PART 2)	Page 62 - 63
Plate 22	CARBURETTERS	Page 64 - 65
Plate 23	A70	Page 66 - 67
Plate 24	TOOLS	Page 68 - 69



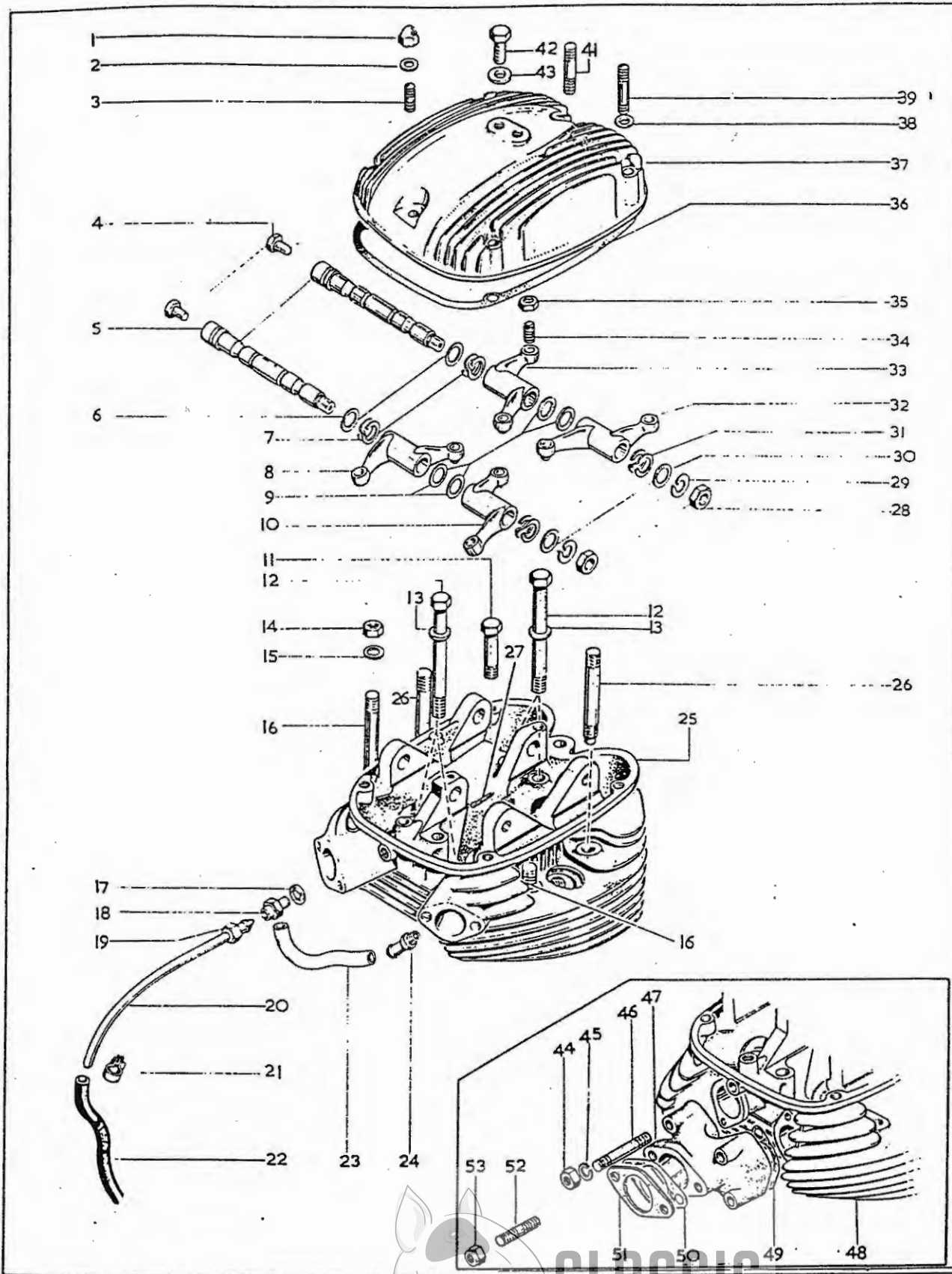


Plate 1

CYLINDER HEAD — ROCKERS

<i>Model</i>	<i>Key No.</i>	<i>Spare No.</i>	<i>Description</i>	<i>Per Set</i>
L T		00-3176	Gasket set — decarboning	1
L T		00-3318	Gasket set — full overhaul	1
L T	1	68-0137	Domed nut — rocker box ($\frac{1}{4}$ " B.S.C.)	2
L T	2	02-0525	Washer — rocker box studs ($.255" \times .500" \times .048"$)	2
L T	3	68-0087	Stud — rocker box, rear ($\frac{1}{8}$ " B.S.C./B.S.F. $\times 29/32"$)	1
L T	4	68-0344	Bolt — rocker spindle ($\frac{1}{4}$ " W.F.)	2
L T	5	68-0192	Rocker spindle — inlet and exhaust	2
L T	6	40-0158	Thrust washer — rocker	2
L T	7	40-0156	Spring washer — rocker	2
L T	8	68-0147	Inlet rocker — left	1
L T	9	40-0158	Thrust washer — rocker	4
L T	10	68-0149	Inlet rocker — right	1
L T	11	67-0283*	Bolt — cylinder head fixing ($\frac{3}{8}$ " B.S.F. $\times 1\frac{1}{2}"$)	1
L T	12	68-0337*	Bolt — cylinder head fixing ($\frac{3}{8}$ " B.S.F. $\times 4\frac{1}{16}"$)	4
L T	13	02-2138	Washer — head to barrel ($\frac{3}{8}" \times \frac{3}{4}" \times \frac{1}{16}"$)	2
L T	14	40-0483*	Nut — cylinder head stud ($\frac{3}{8}$ " B.S.C.)	4
L T	15	02-2138	Washer — head to barrel ($\frac{3}{8}" \times \frac{3}{4}" \times \frac{1}{16}"$)	7
L T	16	71-1468*	Stud — cylinder head ($\frac{3}{8}$ " B.S.C./B.S.F. $\times 2\frac{11}{16}"$)	2
L T	17	76-0378	Fibre washer — oil feed union	1
L T	18	76-0308	Adaptor — rocker oil feed pipe	1
L T	19	29-2089	Nut — rocker oil feed pipe	1
L	20	68-0927	Pipe — rocker oil feed	1
T	20	68-0925	Pipe — rocker oil feed	1
L T	21	62-0263	Clip — oil feed pipe	2
L	22	68-0923	Rubber connection — oil feed pipe	1
T	22	68-0924	Rubber connection — oil feed pipe	1
L	23	70-8213	Balance pipe — inlet	1
L	24	70-8214	Spigot — inlet balance pipe	2
L	25	71-2309	Cylinder head — complete with valve guides and studs	1



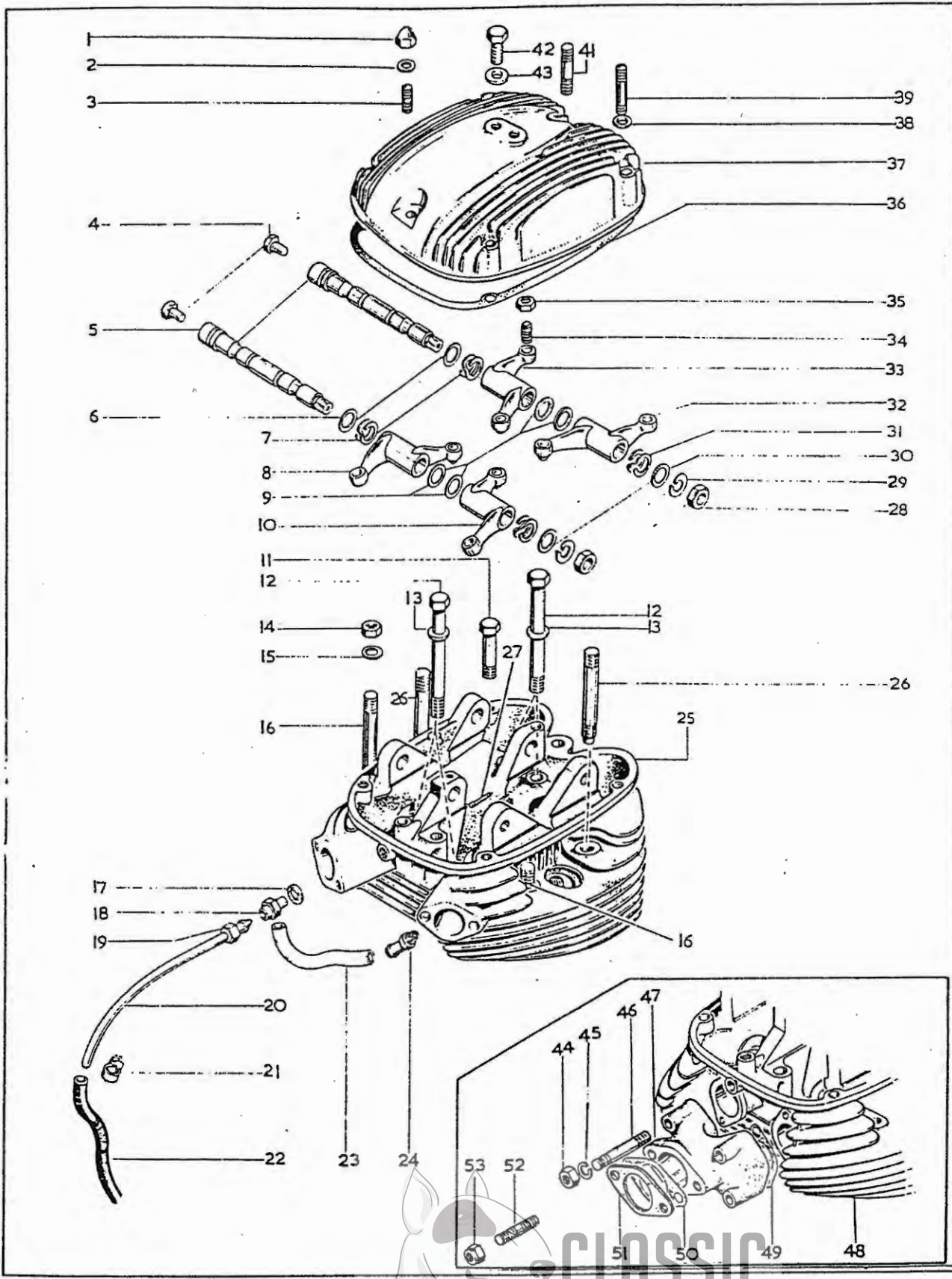


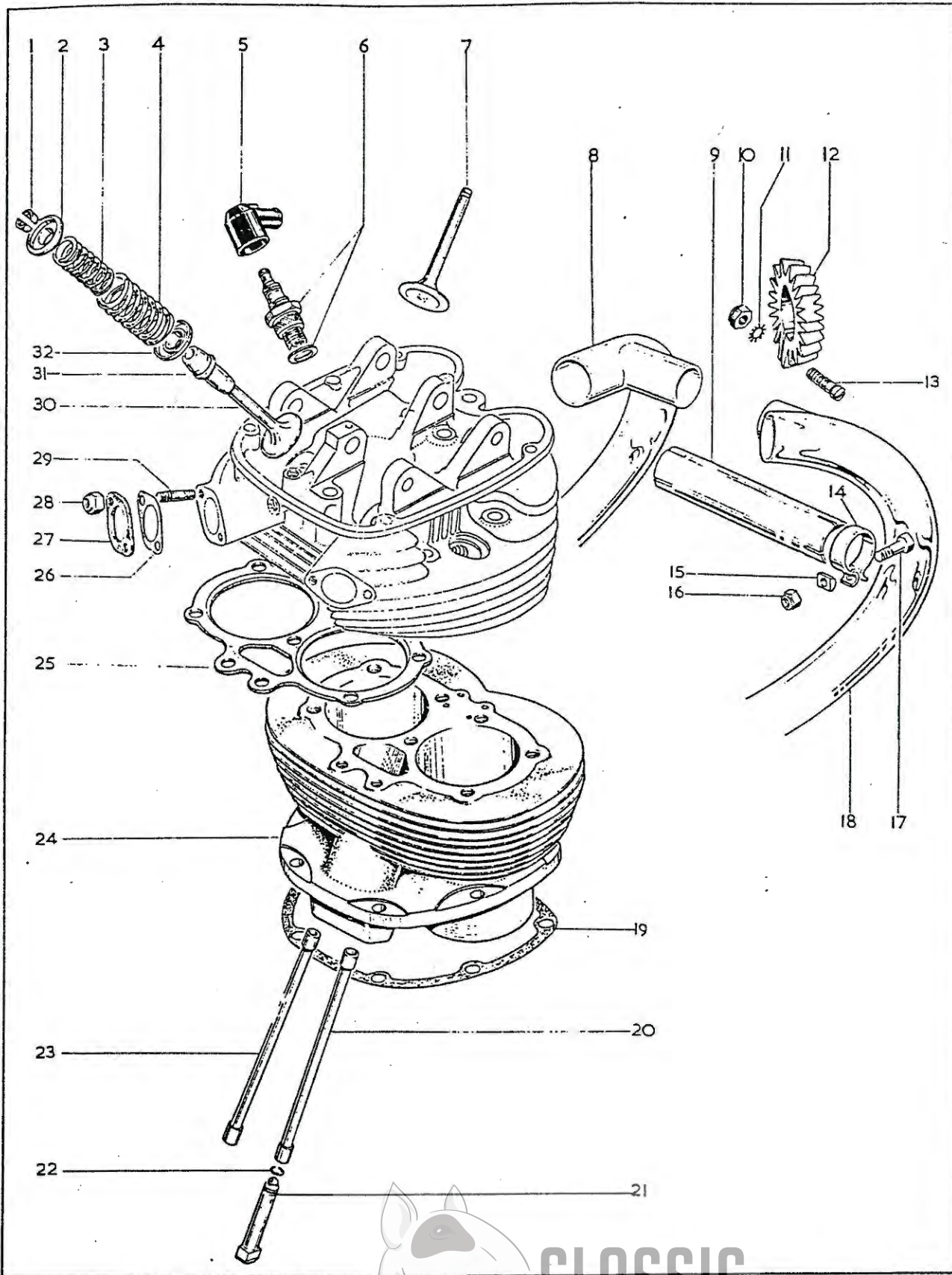
Plate 1—continued

CYLINDER HEAD — ROCKERS

Model	Key No.	Spares No.	Description	Per Set
LT	26	71-1467*	Stud — cylinder head ($\frac{3}{8}$ " B.S.C./B.S.F. $3\frac{1}{2}$ ")	1
LT	27	60-2684	Split pin — rocker oilway	2
LT	28	02-0449	Nut — rocker spindle	2
LT	29	02-0522	Washer — rocker spindle ($\cdot 390$ " \times $\cdot 750$ " \times $\cdot 056$ ")	2
LT	30	40-0157	Thrust washer — rocker	2
LT	31	40-0156	Spring washer — rocker	2
LT	32	68-0153	Exhaust rocker — right	1
LT	33	68-0151	Exhaust rocker — left	1
LT	34	68-0155	Adjuster screw — rocker	4
LT	35	24-0563	Adjuster nut — rocker ($\frac{5}{16}$ " B.S.C.)	4
LT	36	71-2207	Gasket — rocker box	1
LT	37	71-2333	Cover — rocker box	1
LT	38	02-0370	Washer — rocker box stud, front ($\cdot 325$ " \times $\cdot 580$ " \times $\cdot 047$ ")	4
LT	39	14-0221	Bolt — rocker box ($\frac{5}{16}$ " UN.F. $\times 2$ ")	4
LT	41	68-0876	Stud — rocker box, front ($\frac{1}{4}$ " B.S.C./B.S.F. $\times 1\frac{1}{2}$ ")	1
LT	42	14-0114	Bolt — steady bracket to rocker cover ($\frac{5}{16}$ " UN.F. $\times \frac{3}{4}$ ")	2
LT	43	60-2321	Washer — steady bracket to rocker cover ($\cdot 333$ " \times $\cdot 625$ " \times $\cdot 072$ ")	2
T	44	40-3226	Nut — manifold to head ($\frac{1}{4}$ " B.S.C.)	4
T	45	24-0978	Spring washer — manifold to head ($\cdot 255$ " \times $\cdot 437$ " \times $\cdot 040$ ")	4
T	46	68-0067	Stud — manifold to head ($\frac{1}{4}$ " B.S.C./B.S.F. $\times 2\frac{1}{2}$ ")	4
T	47	68-0224	Inlet manifold	1
T	48	71-2307	Cylinder head — complete with valve guides and studs	1
T	49	71-1430	Gasket — manifold to head	2
T	50	71-1421	Gasket — carburetter to manifold	1
T	51	70-7821	Insulating washer — carburetter	1
T	52	68-0018	Stud — carburetter mounting ($\frac{5}{16}$ " B.S.C./B.S.F. $\times 1\frac{1}{2}$ ")	2
T	53	42-4476	Nut — carburetter mounting ($\frac{5}{16}$ " B.S.C.)	2

*Special material: 11—EN15. 12—EN14B. 14—EN14B. 16—EN16. 26—EN16.

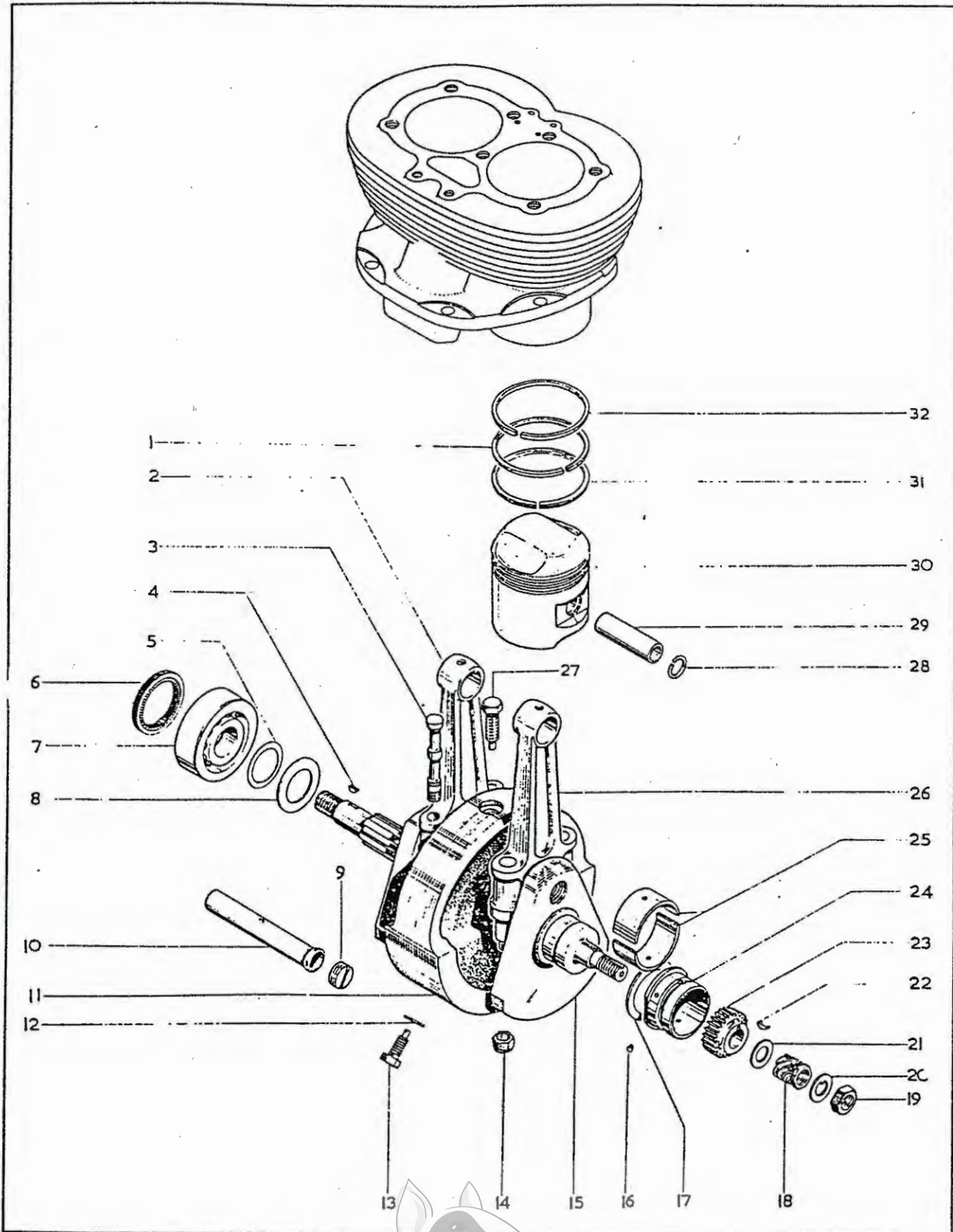




CYLINDER BARREL — EXHAUST PIPES — VALVES

Model	Key No.	Spares No.	Description	Per Set
L T	1	71-1166	Collet — valve spring	8
L T	2	71-1165	Collar — valve spring, top	4
L T	3	71-1177	Valve spring — inner	4
L T	4	71-2222	Valve spring — outer	4
L T	5	19-7625	Cover — spark plug (Champion WC.200)	2
L T	6	19-7606	Spark plug — (Champion N.3)	2
L T	7	68-0663	Valve — exhaust	2
L T	8	71-2843	Exhaust pipe — left	1
L T	9	70-9888	Coupling pipe — exhaust	1
L T	10	14-1301	Locknut — finned collar fixing ($\frac{1}{4}$ " UN.F.)	2
L T	11	29-0541	Lockwasher — finned collar fixing	2
L T	12	42-2848	Finned collar — exhaust pipes	2
L T	13	14-0609	Screw — finned collar fixing ($\frac{1}{4}$ " UN.F. \times $1\frac{1}{4}$ ")	2
L T	14	54-2537	Clip — coupling pipe fixing	2
L T	15	75-2719	"D" washer — coupling pipe clip	4
L T	16	14-1202	Locknut — coupling pipe clip	2
L T	17	14-0217	Bolt — coupling pipe clip ($\frac{5}{16}$ " UN.F. \times $1\frac{1}{4}$ ")	2
L T	18	71-2045	Exhaust pipe — right	1
L T	19	71-1433	Gasket — cylinder base	1
L T	20	68-0370	Push rod — inlet	2
L T	21	68-0362	Tappet — inlet and exhaust	4
L T	22	68-0163	Circlip — tappets	4
L T	23	68-0372	Push rod — exhaust	2
L T	24	71-1464	Cylinder barrel	1
L T	25	71-0827	Gasket — cylinder head	1
L	26	71-1421	Gasket — carburetter	2
L	27	70-7821	Gasket — carburetter (Tufnol)	2
L	28	42-4476	Nut — carburetter stud ($\frac{5}{16}$ " B.S.C.)	4
L	29	68-0018	Stud — carburetter ($\frac{5}{16}$ " B.S.C./B.S.F. \times $1\frac{3}{8}$ ")	4
L T	30	68-0665	Valve — inlet	2
L T	31	71-2300	Valve guide — inlet and exhaust	4
L T	32	71-2366	Cup — valve spring, bottom	4





CRANKSHAFT — PISTONS

Model	Key No.	Spares No.	Description	Per Set
LT	1	68-0357*	Piston ring — taper	2
LT	2	71-1106	Connecting rod complete, — left	1
LT	3	67-1536†	Bolt — connecting rod	1
LT	4	41-0673	Key — alternator rotor	4
LT	5	68-0633	Shim (.003") — crankshaft bearing, left	as reqd.
LT	5	68-0634	Shim (.005") — crankshaft bearing, left	as reqd.
LT	5	68-0635	Shim (.010") — crankshaft bearing, left	as reqd.
LT	6	67-0674	Oil seal — crankcase, left	1
LT	7	68-0625	Bearing — crankshaft, left (Hoffmann RM.11L)	1
LT	8	68-0638	Cup — shim retaining	1
LT	9	68-0184	Plug — crankshaft oil tube	1
LT	10	68-0185	Crankshaft oil tube	1
LT	11	71-1347	Flywheel	1
LT	12	71-1003	Washer — flywheel bolts	3
LT	13	68-0580†	Bolt — flywheel ($\frac{3}{8}$ " B.S.C.)	2
LT	14	71-1957	Locknut — connecting rod bolt ($\frac{5}{16}$ " B.S.C.)	4
LT	15	71-1346	Crankshaft	1
LT	16	67-0793	Dowel — crankshaft bush	1
LT	17	68-0685	Thrust washer — crankshaft bush	1
LT	18	68-0050	Pinion — oil pump drive	1
LT	19	67-0643	Nut — crankshaft, right	1
LT	20	67-0644	Lockwasher — crankshaft nut	1
LT	21	67-0645	Washer — pump drive pinion (.578" x .875" x .064")	1
LT	22	40-3150	Key — crankshaft pinion	1
LT	23	67-0339	Pinion — crankshaft	1
LT	24	68-0657	Bush — crankshaft (standard)	1
LT	24	68-0647	Bush — crankshaft (.010" undersize)	1
LT	24	68-0648	Bush — crankshaft (.020" undersize)	1
LT	25	67-1430	Shell — connecting rod big-end (standard)	4
LT	25	67-1431	Shell — connecting rod big-end (.010" undersize)	4
LT	25	67-1432	Shell — connecting rod big-end (.020" undersize)	4
LT	25	67-1433	Shell — connecting rod big-end (.030" undersize)	4
LT	26	71-1105	Connecting rod complete — right	1
LT	27	68-0581	Bolt — flywheel, oil tube location	1
LT	28	66-0954	Circlip — gudgeon pin	4
LT	29	65-0440	Gudgeon pin	2
LT	30	68-0906*	Piston complete	2
LT	31	68-0259*	Piston ring — scraper	2
LT	32	68-0256*	Piston ring — compression	2

*See page 6 for piston details.

†Special material: 3—EN24. 13—EN24.

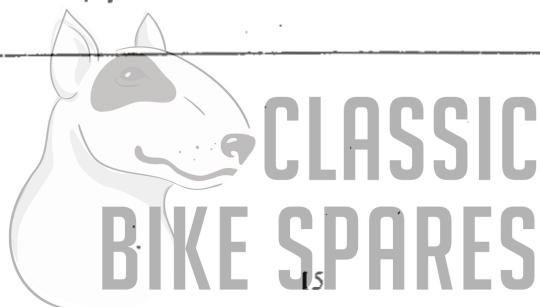
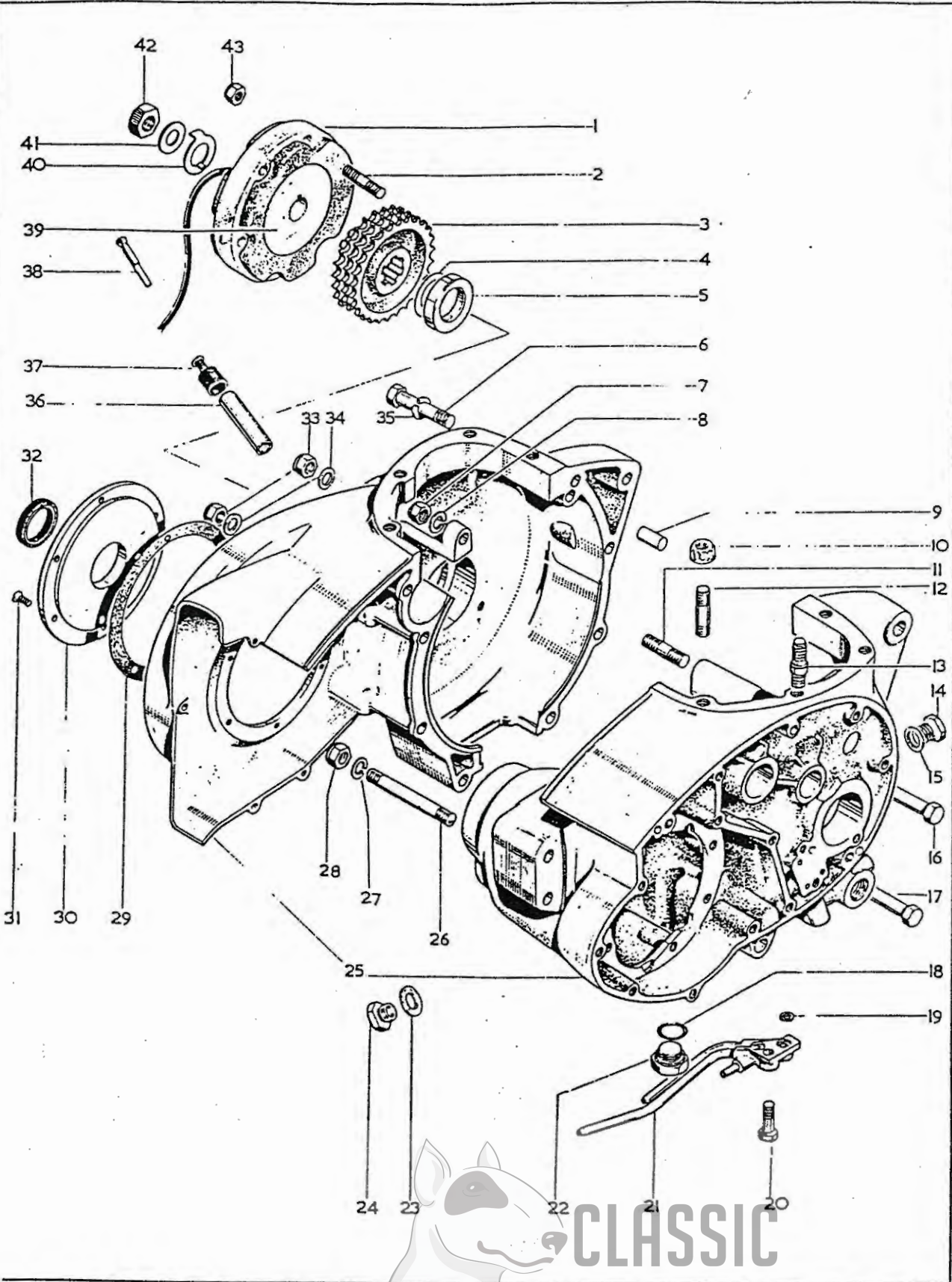
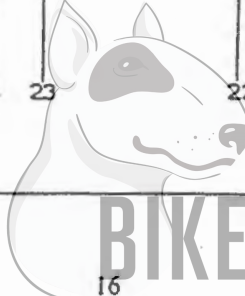


Plate 4



 **CLASSIC
BIKE SPARES**

CRANKCASE — GENERATOR

Model	Key No.	Spares No.	Description	Per Set
L T	1	19-1259	Stator (Lucas 47205)	1
L T	2	14-1621*	Stud — stator mounting ($\frac{5}{16}$ " UN.F./UN.C. \times $1\frac{1}{2}$ ")	3
L T	3	68-0205	Engine sprocket (28 teeth)	1
L T	4	40-0066	Shim — engine sprocket (.010")	as reqd.
L T	4	70-8039	Shim — engine sprocket (.015")	as reqd.
L T	5	68-0688	Distance piece — engine sprocket	1
L T	6	14-6221	Bolt — crankcase, top, front ($\frac{5}{16}$ " UN.C. \times 2")	2
L T	7	14-1302	Locknut — crankcase stud ($\frac{5}{16}$ " UN.F.)	1
L T	8	24-8784	Spring washer — crankcase stud nut (.315" \times .625" \times .040")	1
L T	9	27-1589	Dowel — crankcase	1
L T	10	21-0692	Nut — barrel to crankcase ($\frac{7}{8}$ " UN.F.)	8
L T	11	21-1849	Crankcase stud — top, centre ($\frac{7}{8}$ " UN.F./UN.C. \times $1\frac{1}{2}$ ")	1
L T	12	21-2000*	Stud — barrel to crankcase ($\frac{3}{8}$ " UN.F./UN.C. \times $1\frac{1}{16}$ ")	6
L T	13	21-2001*	Stud — barrel to crankcase ($\frac{3}{8}$ " UN.F./UN.C. \times $1\frac{1}{16}$ ")	2
L T	14	21-1872	Sealing plug — crankcase	1
L T	15	70-8896	Washer — sealing plug	1
L T	16	14-0221	Bolt — crankcase, front ($\frac{5}{16}$ " UN.F. \times 2")	2
L T	17	14-0226	Bolt — crankcase, bottom ($\frac{5}{16}$ " UN.F. \times $3\frac{1}{4}$ ")	1
L T	18	68-3168	"O" ring — gearbox drain plug	1
L T	19	68-0588	"O" ring — oil pipe union	2
L T	20	21-1973	Bolt — oil pipe union to crankcase ($\frac{1}{8}$ " UN.C. \times $\frac{7}{8}$ ")	1
L T	21	71-2742	Oil pipe union — crankcase	1
L T	22	21-1857	Drain plug — gearbox	1
L T	23	15-0203	Washer — camplate plunger plug	1
L T	24	57-3745	Plug — camplate plunger	1
L T	25	71-1108	Crankcase complete with fixed fittings	1
L T	26	21-1850	Stud — crankcase, rear ($\frac{5}{16}$ " UN.F./UN.C. \times $3\frac{7}{16}$ ")	3
L T	27	24-8784	Spring washer — crankcase stud (.315" \times .625" \times .040")	3
L T	28	14-1302	Nut — crankcase stud ($\frac{5}{16}$ " UN.F.)	3
L T	29	40-0241	Gasket — primary case back plate	1
L T	30	68-0236	Back plate — primary case	1
L T	31	40-0246	Screw — primary case back plate	6
L T	32	68-0235	Oil seal — primary case back plate	1
L T	33	14-1302	Nut — crankcase bolt ($\frac{5}{16}$ " UN.F.)	2
L T	34	75-0156	Washer — crankcase bolt	2
L T	35	24-8784	Spring washer — crankcase fixing bolt (.315" \times .625" \times .040")	2
L T	36	70-7844	Cable guide — generator	1
L T	37	68-0209	Oil seal — cable guide	1
L T	38	70-7878	Clip — generator cable	1
L T	39	19-8019	Rotor (Lucas 54213901)	1
L T	40	68-0325	Lockwasher — rotor nut	1
L T	41	68-0324	Washer — rotor nut	1
L T	42	29-2023	Nut — rotor ($\frac{3}{8}$ " UN.F.)	1
L T	43	21-1852*	Nut — stator mounting ($\frac{5}{16}$ " UN.F.)	3

*Special material: 2—EN16R. 12—EN16. 13—EN16. 43—EN8R.

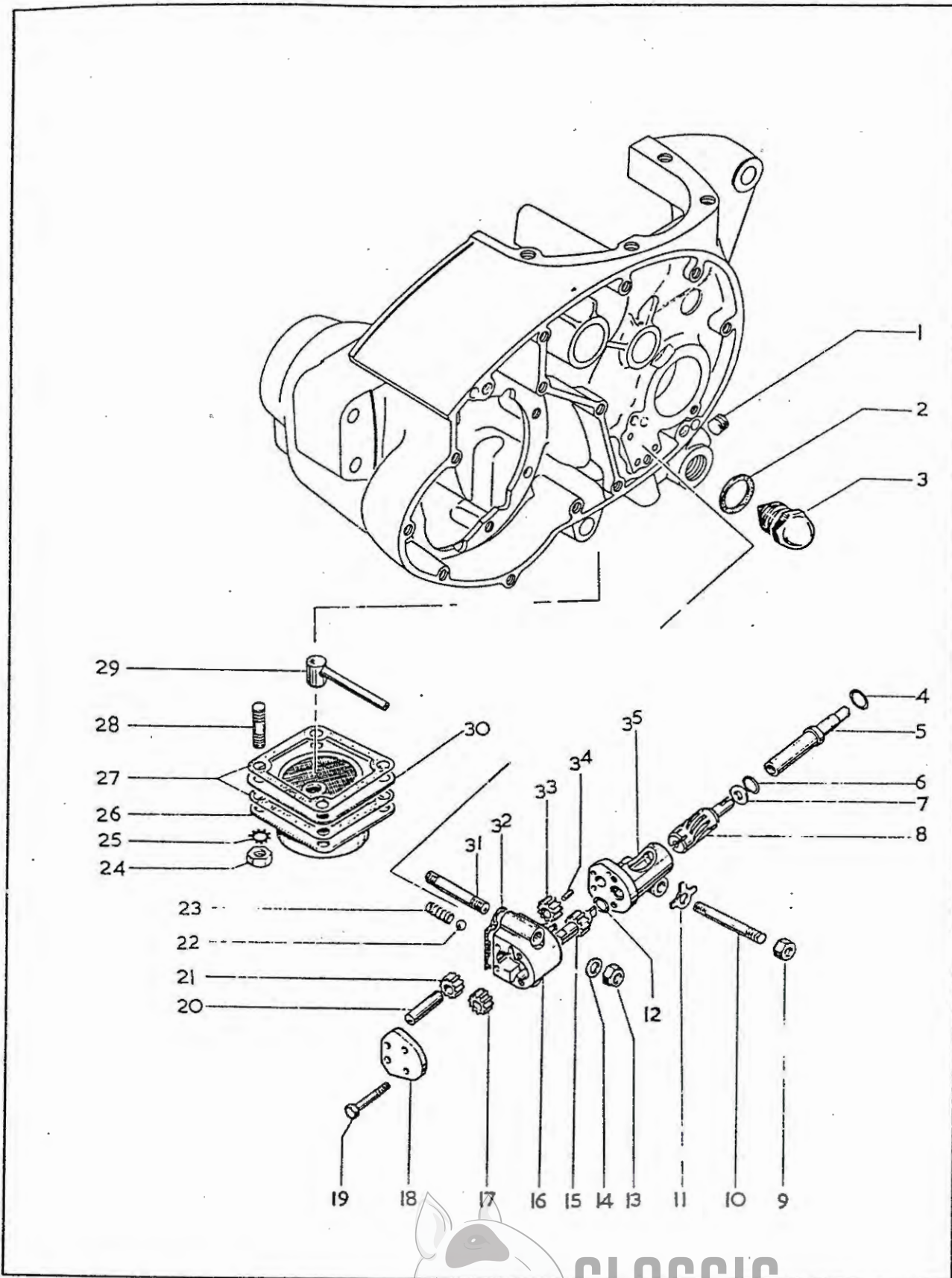
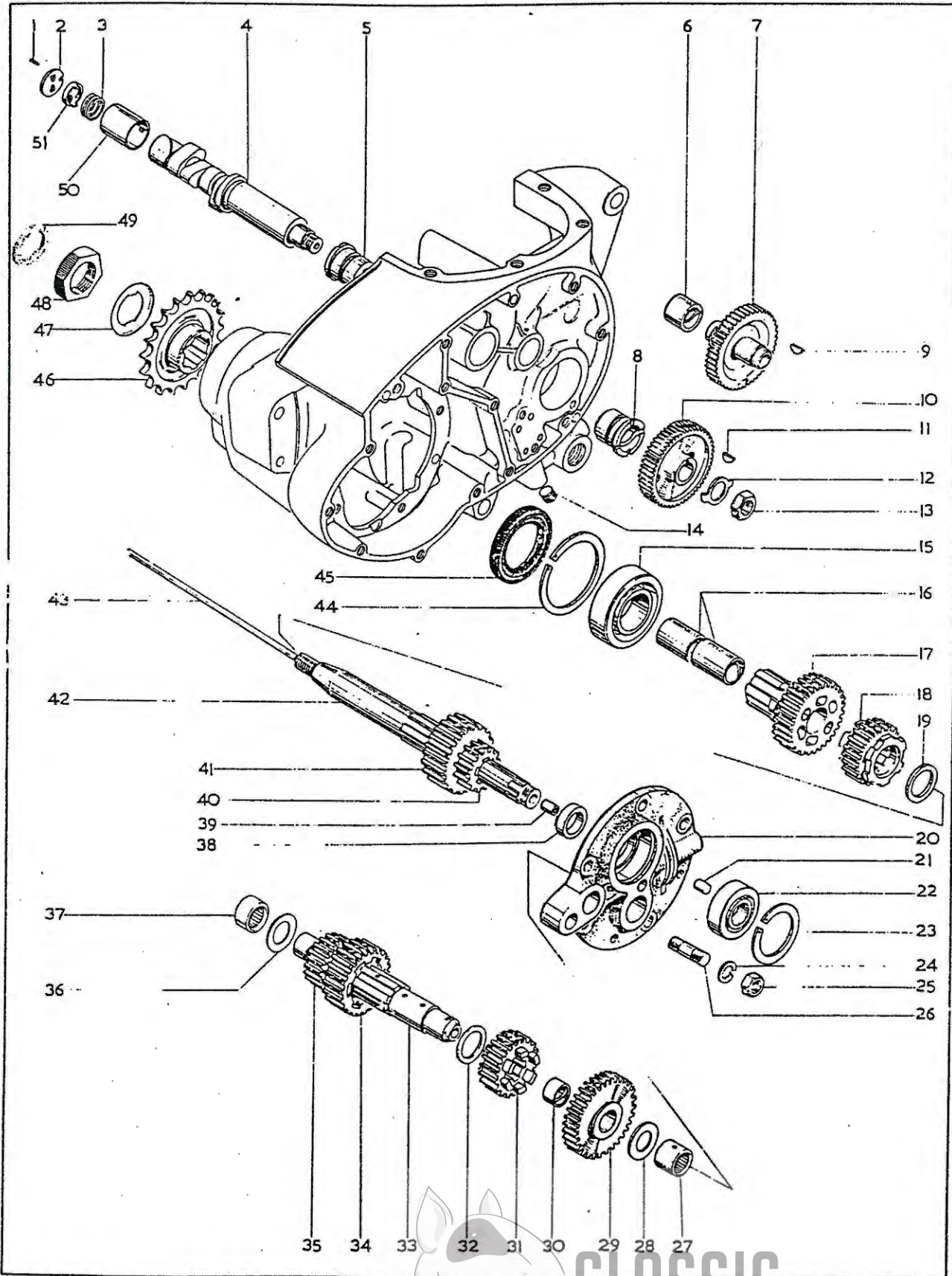


Plate 5
OIL PUMP — GEARBOX SPROCKET — PRESSURE RELEASE VALVE

Model	Key No.	Spares No.	Description	Per Set
L T	1	70-9526	Plug — oil hole blanking	2
L T	2	70-1670	Washer — oil release valve to crankcase	1
L T	3	71-2370	Oil release valve assembly	1
L	4	68-0588	"O" ring — tachometer drive shaft	1
L	5	68-0586	Shaft — tachometer drive	1
L T	6	42-0158	Circlip — oil pump drive spindle	1
L T	7	42-0157	Washer — oil pump spindle retaining	1
L T	8	68-0310	Spindle — oil pump driving	1
L T	9	14-0301	Nut — oil pump stud ($\frac{1}{4}$ " UN.F.)	1
L T	10	21-1848*	Stud — oil pump fixing ($\frac{1}{4}$ " UN.F./UN.C. $\times 2\frac{7}{16}$ ")	1
L T	11	76-0138	Lockwasher — oil pump stud	1
L T	12	68-0289	"O" ring — oil pump spindle housing	1
L T	13	14-1901	Locknut — oil pump stud ($\frac{1}{4}$ " UN.F.)	2
L T	14	68-0938	Washer — oil pump fixing	2
L T	15	71-2415	Gear — oil pump feed — driving	1
L T	16	71-2413	Oil pump complete	1
L T	17	71-2417	Gear — oil pump scavenge driving	1
L T	18	68-0936	End plate — oil pump	1
L T	19	68-0937	Screw — oil pump end plate	4
L T	20	71-1146	Spindle — oil pump driven gears	1
L T	21	71-2418	Gear — oil pump scavenge driven	1
L T	22	60-2364	Ball — non-return valve ($\frac{1}{4}$ ")	1
L T	23	68-0353	Spring — non-return valve	1
L T	24	14-0301	Nut — sump cover stud	4
L T	25	29-0541	Lockwasher — sump cover stud	4
L T	26	67-1286	Sump cover	1
L T	27	71-1424	Gasket — sump cover	2
L T	28	14-1401	Stud — sump cover	4
L T	29	68-0560	Scavenge oil pipe	1
L T	30	71-1126	Filter assembly — crankcase	1
L T	31	21-1848*	Stud — oil pump body mounting	2
L T	32	71-2296	Gasket — oil pump body to crankcase	1
L T	33	71-2416	Gear — oil pump feed driven	1
L T	34	71-1148	Dowel — pump body to spindle housing	2
L T	35	71-2419	Housing — oil pump spindle	1

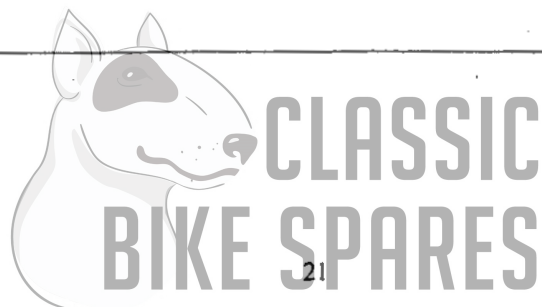
*Special material: 10—EN14B. 31—EN14B.

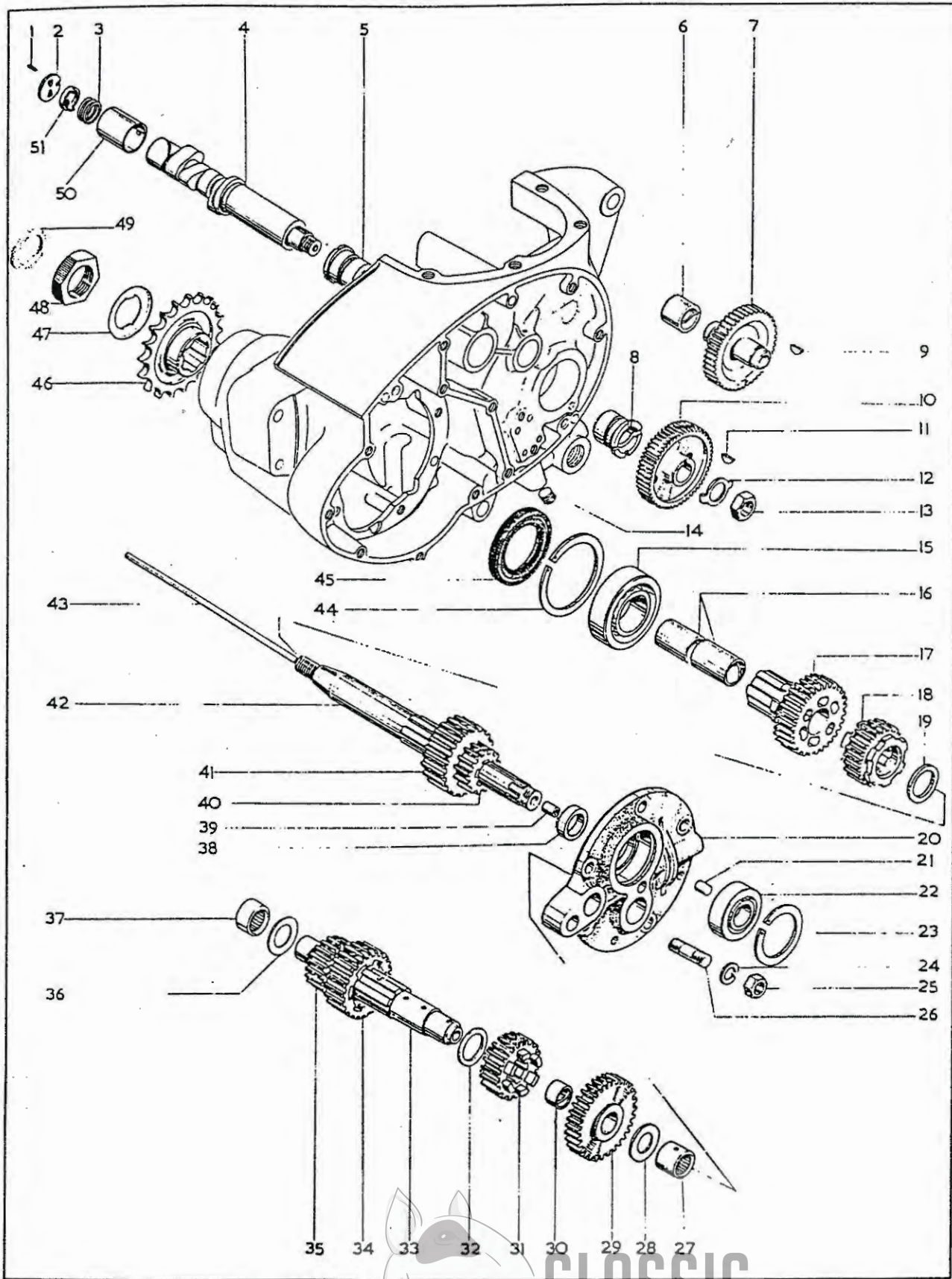




GEAR CLUSTER — CAMSHAFT

<i>Model</i>	<i>Key No.</i>	<i>Spares No.</i>	<i>Description</i>	<i>Per Set</i>
L T	1	40-0028	Peg — breather disc	1
L T	2	68-0130	Breather disc	1
L T	3	68-0132	Spring — breather valve	1
L T	4	68-0473	Camshaft	1
L T	5	68-0025	Bush — camshaft, right	1
L T	6	70-9809	Bush — idler pinion bearing	1
L T	7	70-9104	Idler pinion — with spindle	1
L T	8	68-0025	Bush — camshaft, right	1
L T	9	27-1386	Key — idler pinion	1
L T	10	67-0338	Camshaft pinion	1
L T	11	40-0118	Key — camshaft pinion	1
L T	12	67-0685	Lockwasher — camshaft pinion	1
L T	13	02-0124	Nut — camshaft pinion ($\frac{1}{2}$ " B.S.C.)	1
L T	14	70-9526	Plug screw — scavenge oil hole	2
L T	15	57-0448	Bearing — mainshaft, right	1
L T	16	68-3178	Bush — mainshaft top gear	2
L T	17	68-3115	Gear — mainshaft top (23 teeth)	1
L T	18	68-3120	Gear — mainshaft second (22 teeth)	1
L T	18	68-3114*	Gear — mainshaft second (23 teeth)	1
L T	19	68-3021	Spacing washer — mainshaft	1
L T	20	57-4023	Cover — bearing housing, with bearings and bush	1
L T	21	68-0030	Dowel — bearing plate	1
L T	22	57-3621	Bearing — mainshaft, right (Hoffmann L.S8)	1
L T	23	67-3028	Circlip — mainshaft bearing	1
L T	24	24-8784	Spring washer — bearing plate stud	5
L T	25	14-0302	Nut — bearing plate stud ($\frac{5}{16}$ " UN.F.)	5
L T	26	14-1619	Stud — gearbox bearing plate ($\frac{5}{16}$ " UN.C./UN.F. \times 1 $\frac{1}{2}$ ")	5
L T	27	42-3075	Bearing — layshaft, right (Torrington B.1212-OH)	1
L T	28	42-3079	Thrust washer — layshaft	1
L T	29	68-3151	Gear — layshaft first (26 teeth)	1
L T	29	68-3128*	Gear — layshaft first (24 teeth)	1
L T	30	67-3093	Bush — layshaft first gear	1
L T	31	68-3120	Gear — layshaft third (22 teeth)	1
L T	31	68-3181*	Gear — layshaft third (18 teeth)	1





GEAR CLUSTER — CAMSHAFT

Model	Key No.	Spares No.	Description	Per Set
L T	32	68-3021	Spacing washer — layshaft	1
L T	33	68-3303	Layshaft	1
L T	34	68-3015	Gear — layshaft second (26 teeth)	1
L T	34	68-3107*	Gear — layshaft second (25 teeth)	1
L T	35	68-3299	Gear — layshaft top (17 teeth)	1
L T	36	42-3079	Thrust washer — layshaft (.113—.115")	as reqd.
L T	36	42-3212	Thrust washer — layshaft (.120—.122")	as reqd.
L T	36	42-3213	Thrust washer — layshaft (.127—.129")	as reqd.
L T	37	68-0034	Bearing — layshaft, left (Torrington 12121-OH)	1
L T	38	68-3019	Spacer — mainshaft	1
L T	39	57-3988	Bush — clutch push rod	1
L T	40	68-3150	Gear — mainshaft first (14 teeth)	1
L T	40	68-3127*	Gear — mainshaft first (16 teeth)	1
L T	41	68-3015	Gear — mainshaft third (26 teeth)	1
L T	41	68-3182*	Gear — mainshaft third (22 teeth)	1
L T	42	68-3100	Mainshaft	1
L T	43	68-3229	Push rod — clutch	1
L T	44	68-0024	Circlip — mainshaft bearing, left	1
L T	45	68-0027	Oil seal — mainshaft bearing	1
L T	46	68-3093†	Sprocket — gearbox (18 teeth)	1
L T	46	68-3078†	Sprocket — gearbox (19 teeth)	1
L T	46	68-3073	Sprocket — gearbox (20 teeth)	1
L T	46	68-3089†	Sprocket — gearbox (21 teeth)	1
L T	47	40-3121	Lockwasher — gearbox sprocket	1
L T	48	40-3051	Nut — gearbox sprocket	1
L T	49	68-3194	Felt washer	1
L T	50	68-0022	Bush — camshaft, left	1
L T	51	68-0131	Valve — rotary breather	1

*Close ratio gears.

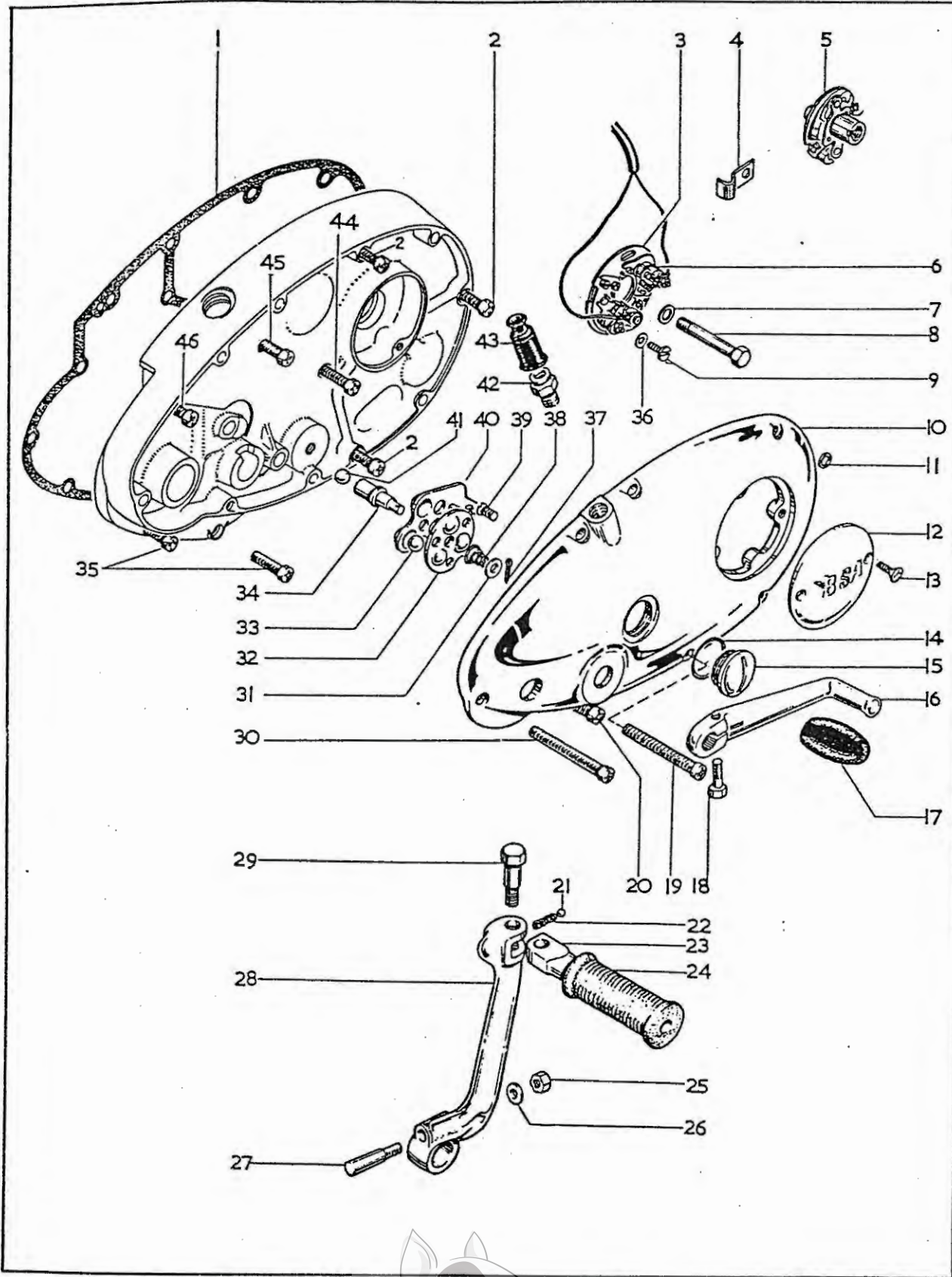
†Alternative sprockets.



INNER TIMING COVER — GEARCHANGE MECHANISM

Model	Key No.	Spares No.	Description	Per Set
LT	1	57-4026	Camplate	1
LT	2	68-3045	Pivot — camplate	1
LT	3	67-3161	Thrust washer — kickstart ratchet	1
LT	4	67-3162	Spring — kickstart ratchet	1
LT	5	68-3095	Kickstart ratchet pinion	1
LT	6	67-3169	Bush — kickstart ratchet pinion	1
LT	7	68-3056	Ratchet — kickstart	1
LT	8	68-3301	Lockwasher — kickstart assembly	1
LT	9	67-3163*	Nut — kickstart assembly ($\frac{2}{16}$ " B.S.C.)	1
LT	10	21-5370	Bolt — tachometer adaptor (2 B.A. $\times \frac{2}{16}$ ")	2
LT	11	24-0036	Sealing washer — tachometer cable	1
LT	12	68-0982	Lockwasher — tachometer adaptor bolt	1
LT	13	68-0585	Adaptor — tachometer cable	1
LT	14	71-1436	Gasket — tachometer adaptor	1
LT	15	76-0291	Oil seal — idler pinion spindle	1
LT	16	57-4009	Spring — gearchange return	1
LT	17	57-4008	Cup — gearchange return spring	1
LT	18	76-0012	Washer — gearchange return spring	1
LT	19	21-2025	Stud — gearchange return spring	1
LT	20	14-1202	Locknut — retaining cup stud	1
LT	21	57-4028	Stop plate — gearchange spring	1
LT	22	68-3118	Grub-screw — stop plate	1
LT	23	68-3058	Anchor peg — gearchange spring	1
LT	24	68-3054	Spring plate — kickstart	2
LT	25	68-3053	Spring — kickstart return	1
LT	26	68-3055	Anchor peg — kickstart spring	1
LT	27	71-2277	Inner timing cover complete	1
LT	28	68-0213	Bush — kickstart spindle, timing cover	1
LT	29	24-0978	Spring washer — anchor peg nut	1
LT	30	02-2395	Nut — kickstart spring anchor peg ($\frac{1}{4}$ " B.S.C.)	1
LT	31	57-4312	Kickstart spindle complete	1
LT	32	68-3005	Bush — kickstart spindle	1
LT	33	40-0705	Grommet — contact breaker leads	1
LT	34	40-0394	Dowel — inner cover to case	2
LT	35	68-0865	Dipstick — inner timing cover	1
LT	36	70-9809	Bush — idler pinion spindle	1
LT	37	66-3074	Dowel — inner cover to case	2
LT	38	57-4114	Plunger — gearchange quadrant	2
LT	39	68-3076	Spring — gearchange quadrant plunger	2
LT	40	60-2721	Split pin — quadrant plunger spring ($\frac{3}{32}$ " $\times \frac{5}{16}$ ")	2
LT	41	71-4116	Gearchange quadrant complete	1
LT	42	57-4115	Retainer — gearchange plunger	1
LT	43	40-3323	Screw — plunger retainer (5B.A. $\times \frac{1}{16}$ ")	1
LT	44	68-3180	Kickstart quadrant stop	1
LT	45	68-3036	Spindle — selector forks	1
LT	46	68-3160	Selector fork — layshaft	1
LT	47	68-3158	Selector fork — mainshaft	1
LT	48	68-0098	Plunger — gearchange camplate	1
LT	49	68-0101	Spring — camplate plunger	1

*Special material: 9—EN15.



OUTER TIMING COVER — KICKSTART — FOOTCHANGE

<i>Model</i>	<i>Plate Ref.</i>	<i>Spares No.</i>	<i>Description</i>	<i>Per Set</i>
LT	1	71-1437	Gasket — inner timing cover	1
LT	2	14-6613	Screw — inner timing cover ($\frac{1}{4}$ " UN.C. \times $2\frac{1}{2}$ ")	3
LT	3	19-1841	Contact breaker (Lucas 54419097)	1
LT	4	04-2203	Clip — contact breaker lead	1
LT	5	19-1842	Auto-advance unit (Lucas 54419344)	1
LT	6	19-1849	Contact set (Lucas 54419827)	1
LT	7	68-0331	Washer — contact breaker plate screw	1
LT	8	14-0208	Bolt — auto-advance unit ($\frac{1}{4}$ " UN.F. \times $2\frac{1}{2}$ ")	1
LT	9	97-3894	Screw — contact breaker plate to cover (2B.A. \times $21/64$ ")	2
LT	10	71-2280	Outer timing cover	1
LT	11	40-0740	Sealing washer — outer cover screw, top	1
LT	12	70-9126	Inspection cover — contact breaker	1
LT	13	21-5375	Screw — contact breaker cover (2B.A. \times $\frac{3}{8}$ ")	2
LT	14	70-8782	"O" ring — inspection plug	1
LT	15	70-9816	Inspection plug — outer cover	1
LT	16	40-3073	Gearchange pedal	1
LT	17	89-3208	Rubber — gearchange pedal	1
LT	18	42-6554	Bolt — gearchange pedal ($\frac{1}{4}$ " B.S.C. \times $\frac{3}{4}$ ")	1
LT	19	21-1917	Screw — outer timing cover ($\frac{1}{4}$ " UN.C. \times $2\frac{3}{8}$ ")	5
LT	20	14-6607	Screw — outer timing cover ($\frac{1}{4}$ " UN.C. \times $\frac{7}{8}$ ")	1
LT	21	60-2364	Ball — kickstart pedal	1
LT	22	40-3085	Spring — kickstart pedal	1
LT	23	57-1272	Folding pedal — kickstart	1
LT	24	57-2330	Rubber — kickstart pedal	1
LT	25	75-0053	Nut — kickstart crank cotter	1
LT	26	68-0331	Washer — kickstart crank cotter ($\cdot 328$ " \times $\cdot 505$ " \times $\cdot 048$ ")	1
LT	27	75-3143	Cotter — kickstart crank	1
LT		57-3632	Kickstart crank complete	1
LT	28	57-2173	Kickstart crank	1
LT	29	21-0541	Bolt — kickstart pedal ($\frac{3}{16}$ " B.S.C. \times $1\frac{1}{16}$ ")	1
LT	30	14-6614	Screw — outer cover ($\frac{1}{4}$ " UN.C. \times $2\frac{1}{2}$ ")	1
LT	31	57-3673	Washer — clutch lever	1
LT	32	57-4497	Thrust plate — clutch lift mechanism	1
LT	33	60-2368	Ball — clutch lift mechanism	3
LT	34	57-4038	Shaft — clutch lift mechanism	1
LT	35	14-6606	Screw — inner timing cover ($\frac{1}{4}$ " UN.C. \times $\frac{3}{4}$ ")	2
LT	36	76-0293	Washer — contact breaker plate	2
LT	37	60-2701	Split pin — clutch lift mechanism	1
LT	38	57-1712	Spring — clutch lift mechanism	1
LT	39	21-1879	Screw — clutch lift mechanism	3
LT		57-4495	Clutch lift mechanism complete	1
LT	40	57-4496	Lever — clutch lift mechanism	1
LT	41	60-2363	Ball — clutch lever shaft	1
LT	42	57-3762	Adaptor — clutch cable	1
LT	43	68-3264	Cover — clutch cable adaptor	1
LT	44	14-6610	Screw — inner timing cover ($\frac{1}{4}$ " UN.C. \times $1\frac{1}{2}$ ")	1
LT	45	14-6611	Screw — inner timing cover ($\frac{1}{4}$ " UN.C. \times $1\frac{1}{2}$ ")	1
LT	46	14-6608	Screw — inner timing cover ($\frac{1}{4}$ " UN.C. \times 1 ")	1

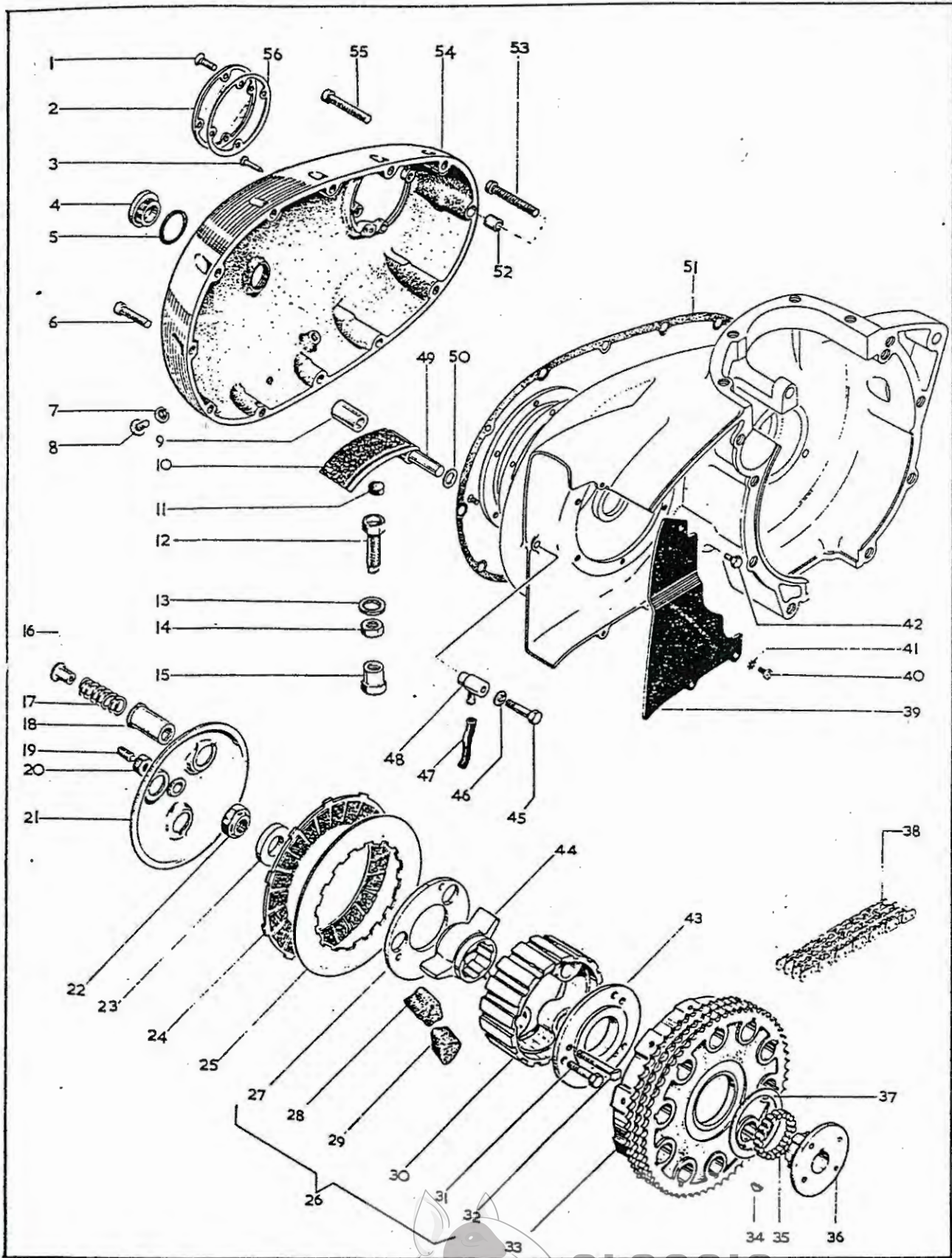
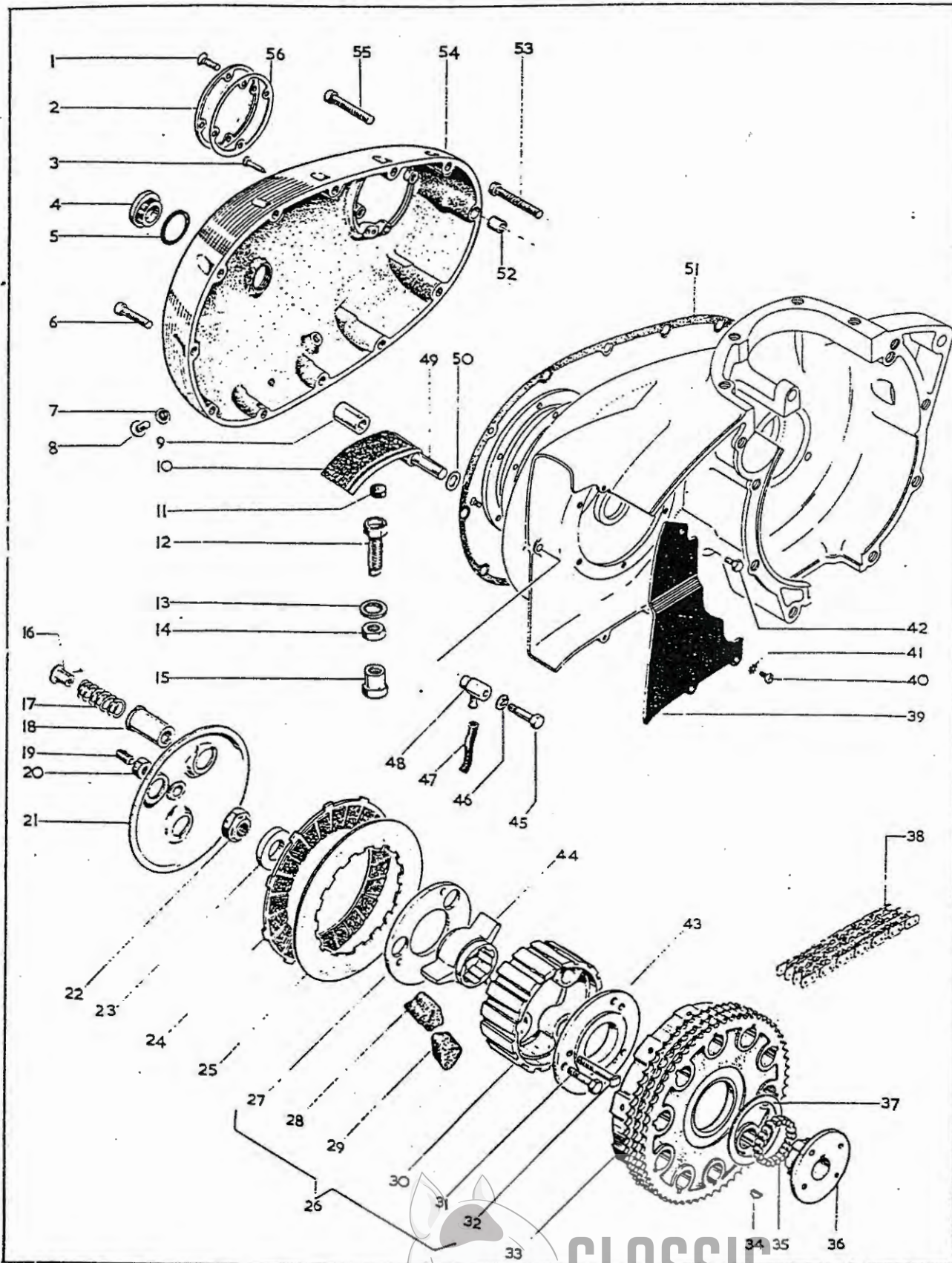


Plate 9

CLUTCH — PRIMARY COVER

Model	Key No.	Spares No.	Description	Per Set
LT		68-3270	Clutch complete.. .. .	1
LT	1	76-4116	Screw — inspection cover (2B.A. $\times \frac{7}{16}$ ")	4
LT	2	70-9114	Cover — timing inspection	1
LT	3	68-0841	Ignition timing pointer	1
LT	4	70-9816	Plug — primary cover	2
LT	5	70-8782	"O" ring — primary cover plug	2
LT	6	21-1854	Screw — primary cover ($\frac{1}{4}$ " UN.C. $\times 1\frac{7}{16}$ ")	6
LT	7	71-1065	Washer — oil level and drain screw	2
LT	8	14-7804	Screw — oil level and drain	2
LT	9	68-0376	Spacer tube — tensioner pivot	1
LT	10	70-8310	Tensioner — primary chain	1
LT	11	68-0249	Insert — tensioner screw	1
LT	12	70-7793	Adjuster screw — chain tensioner	1
LT	13	68-0861	Washer — tensioner screw oil seal	1
LT	14	68-0237	Locknut — tensioner adjuster ($\frac{7}{16}$ " B.S.F.)	1
LT	15	57-4424	Cap nut — adjuster screw ($\frac{7}{16}$ " B.S.F.)	1
LT	16	57-2526	Nut — clutch spring ($\frac{1}{4}$ " B.S.F.)	3
LT	17	68-3321	Clutch spring	3
LT	18	68-3287	Cup — clutch spring	3
LT	19	68-3308	Screw — clutch adjuster	1
LT	20	14-0403	Locknut — adjuster screw ($\frac{3}{8}$ " UN.F.)	1
LT	21	68-3305	Pressure plate	1
LT	22	68-3320	Nut — clutch retaining	1
LT	23	68-3169	Spacer — clutch retaining nut	1
LT	24	42-3192	Driving plate	6
LT	25	57-1363	Driven plate	6
LT	26	57-4435	Cush drive assembly	1
LT	27	68-3283	Plate — cush drive retaining	1
LT	28	68-3281	Rubber — cush drive	3
LT	29	68-3282	Rubber — rebound, cush drive	3

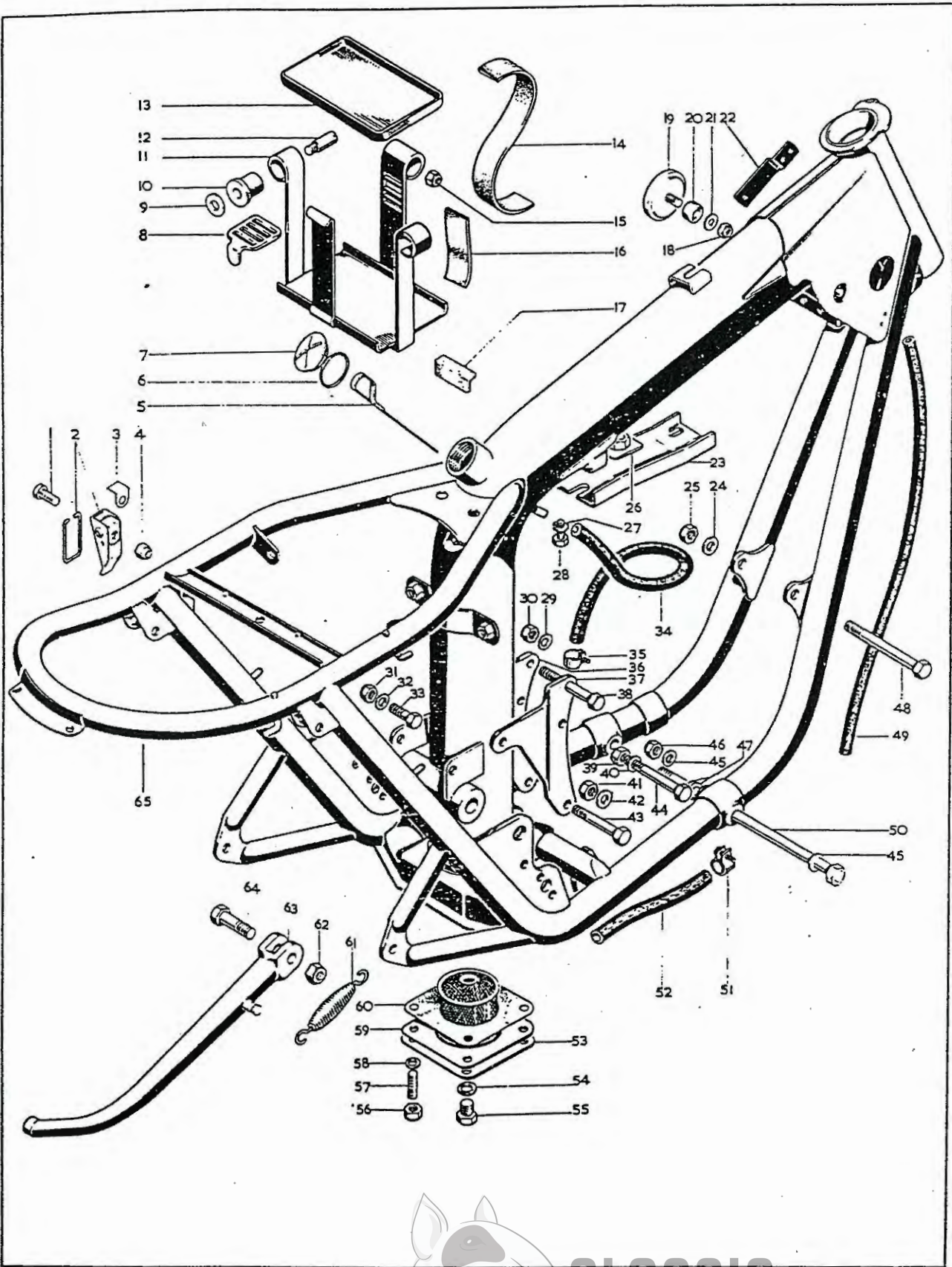




CLUTCH — PRIMARY COVER

<i>Model</i>	<i>Key No.</i>	<i>Spares No.</i>	<i>Description</i>	<i>Per Set</i>
L T	30	57-1719	Clutch centre	1
L T	31	21-2157	Bolt — cush drive, inner to outer plate	3
L T	32	42-3189	Pin — clutch spring ($\frac{1}{4}$ " B.S.C. \times $1\frac{1}{4}$ ")	3
L T	33	57-2773	Clutch sprocket (58 teeth)	1
L T	34	68-3218	Key — sleeve to sprocket	2
L T	35	42-3206	Roller — clutch sprocket	20
L T	36	57-3929	Clutch hub	1
L T	37	57-3931	Thrust washer — clutch sleeve	1
L T	38	19-8639	Primary chain ($\frac{3}{8}$ " Triplex, 80 pitches)	1
L T	39	68-0360	Cover plate — rear crankcase	1
L T	40	97-3894	Screw — cover plate (2B.A. \times $21/64$ ")	2
L T	41	29-3319	Lockwasher — cover plate screw ($\cdot 200$ " \times $\cdot 400$ " \times $\cdot 021$ ")	3
L T	42	40-3044	Bolt — cover plate, top	1
L T	43	68-3280	Plate — cush drive retaining, inner	1
L T	44	57-2538	Spider — cush drive	1
L T	45	70-9217	Bolt — rear chain oiler ($\frac{1}{4}$ " UN.C. \times $1\frac{1}{8}$ ")	1
L T	46	66-7518	Fibre washer — rear chain oiler	1
L T	47	40-0375	Rubber pipe — rear chain oiler	1
L T	48	68-0383	Oiler — rear chain	1
L T	49	68-0375	Pivot — chain tensioner	1
L T	50	15-0804	Washer — tensioner pivot	1
L T	51	71-1432	Gasket — primary cover	1
L T	52	66-3074	Dowel — primary cover locating	1
L T	53	21-1951	Screw — primary cover	1
L T	54	71-1044	Primary cover complete	1
L T	55	14-6611	Screw — primary cover ($\frac{1}{4}$ " UN.C. \times $1\frac{1}{4}$ ")	4
L T	56	71-1420	Gasket — inspection cover	1





FRAME — BATTERY CARRIER — ENGINE SHIELD

<i>Model</i>	<i>Key No.</i>	<i>Spares No.</i>	<i>Description</i>	<i>Per Set</i>
LT	1	14-0604	Screw — seat catch fixing ($\frac{1}{4}$ " UN.F. \times $\frac{1}{2}$ ")	1
LT	2	83-3061	Catch assembly — twinseat	1
LT	3	83-2597	Spring — seat catch	1
LT	4	14-1301	Nut — seat catch fixing bolt ($\frac{1}{4}$ " UN.F.)	1
LT	5	83-3142	Dipstick	1
LT	6	60-3616	"O" ring — oil filler cap	1
LT	7	71-2744	Cap — oil filler	1
LT	8	83-3849	Buckle — battery retaining strap	1
LT	9	60-2329	Washer — battery carrier mounting	3
LT	10	40-8436	Rubber bush — battery carrier mounting	3
LT	11	83-2512	Battery carrier	1
LT	12	83-2508	Screw — shouldered, battery carrier mounting	3
LT	13	68-4597	Moulding — battery carrier	1
LT	14	82-9353	Strap — battery carrier	1
LT	15	14-1301	Nut — battery carrier fixing screw ($\frac{1}{4}$ " UN.F.)	1
LT	16	82-8255	Protective strip — battery carrier	2
LT	17	83-3295	Protective strip — moulded, battery carrier	1
LT	18	82-4717	Nut — reflector mounting	2
LT	19	19-1345	Reflector	1
LT	20	83-3522	Rubber bush — reflector mounting	2
LT	21	60-2391	Washer — reflector mounting ($\cdot 202$ " \times $\cdot 391$ " \times $\cdot 032$ ")	2
LT	22	83-3764	Bracket — reflector mounting, front	2
LT	23	83-2844	Steady bracket — engine to frame	1
LT	24	60-2332	Washer — engine bolt, front ($\cdot 458$ " \times $\cdot 875$ " \times $\cdot 048$ ")	1
LT	25	14-1304	Nut — engine bolt, front ($\frac{7}{16}$ " UN.F.)	1
LT	26	83-4086	Nut assembly — engine steady to frame	1
LT	27	60-2419	Spring washer — engine steady to frame bolt ($\cdot 406$ " \times $\cdot 590$ " \times $\cdot 092$ ")	1
LT	28	14-0126	Bolt — engine steady to frame ($\frac{3}{8}$ " UN.F. \times $\frac{3}{4}$ ")	1
LT	29	60-2332	Washer — engine to engine plate bolt, top ($\cdot 458$ " \times $\cdot 875$ " \times $\cdot 048$ ")	1
LT	30	14-1304	Nut — engine to engine plate bolt, top ($\frac{7}{16}$ " UN.F.)	1
LT	31	14-1303	Nut — engine plate bolt, rear ($\frac{3}{8}$ " UN.F.)	2
LT	32	60-2331	Washer — engine plate bolt, rear ($\cdot 395$ " \times $\cdot 750$ " \times $\cdot 048$ ")	2
LT	33	14-0127	Bolt — engine plate, rear ($\frac{3}{8}$ " UN.F. \times $\frac{3}{8}$ ")	2
LT	34	71-2344	Pipe — oil return	1
LT	35	70-6848	Clamp — oil return pipe	2

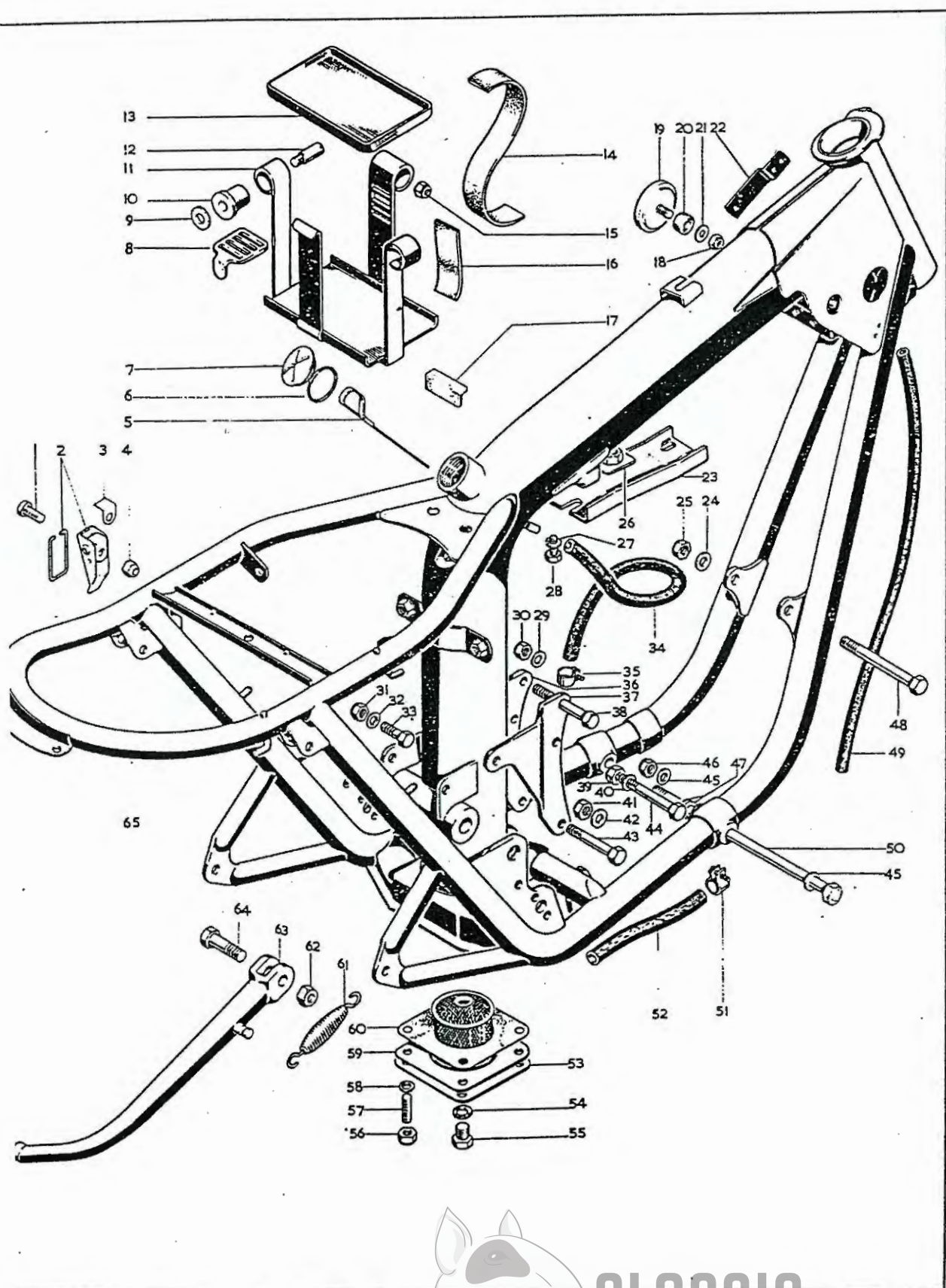


Plate 10—continued

FRAME — BATTERY CARRIER — ENGINE SHIELD

Model	Key No.	Spares No.	Description	Per Set
L T	36	83-2110	Engine plate — left	1
L T	37	83-2111	Engine plate — right	1
L T	38	14-0251	Bolt — engine plates, top ($\frac{7}{16}$ " UN.F. \times $2\frac{3}{4}$ ")	1
L T	39	14-1302	Locknut — engine plate, bottom ($\frac{5}{16}$ " UN.F.)	1
L T	40	60-2332	Washer — engine plate, bottom ($\cdot 458$ " \times $\cdot 875$ " \times $\cdot 048$ ")	1
L T	41	14-1303	Locknut — engine plate bolt, bottom ($\frac{3}{8}$ " UN.F.)	1
L T	42	60-2331	Washer — engine plate bolt, bottom ($\cdot 395$ " \times $\cdot 750$ " \times $\cdot 048$ ")	1
L T	43	14-0238	Bolt — engine plate to frame, bottom ($\frac{3}{8}$ " UN.F. \times $2\frac{3}{4}$ ")	1
L T	44	14-0224	Bolt — engine to plates, bottom ($\frac{5}{16}$ " UN.F. \times $2\frac{3}{4}$ ")	1
L T	45	60-2332	Washer — engine plates bolt, bottom ($\cdot 458$ " \times $\cdot 875$ " \times $\cdot 048$ ")	2
L T	46	14-1302	Locknut — engine plates bolt, bottom ($\frac{5}{16}$ " UN.F.)	1
L T	47	60-2331	Washer — engine to frame spacer, right ($\cdot 395$ " \times $\cdot 750$ " \times $\cdot 048$ ")	2
L T	48	21-2138	Bolt — engine fixing, front ($\frac{7}{16}$ " UN.F. \times $3\frac{1}{2}$ ")	1
L T	49	71-2348	Pipe — oil reservoir vent	1
L T	50	21-2114	Bolt — engine fixing, bottom	1
L T	51	68-8382	Clip — oil feed pipe	2
L T	52	71-2346	Pipe — oil feed	1
L T	53	83-3815	Sump plate assembly	1
L T	54	02-4553	Fibre washer — drain plug	1
L T	55	14-0113	Drain plug	1
L T	56	14-1302	Locknut — sump plate stud ($\frac{5}{16}$ " UN.F.)	4
L T	57	21-2109	Stud — sump plate fixing	4
L T	58	60-2330	Washer — sump plate stud ($\cdot 333$ " \times $\cdot 625$ " \times $\cdot 040$ ")	4
L T	59	83-3642	Oil filter	1
L T	60	83-2829	Gasket — oil filter complete	1
L T	61	82-8382	Spring — prop stand	1
L T	62	14-1303	Locknut — prop stand pivot bolt ($\frac{3}{8}$ " UN.F.)	1
L T	63	83-1560	Prop stand	1
L T	64	82-7021	Bolt — prop stand pivot	1
L T	65	83-2802	Frame complete	1



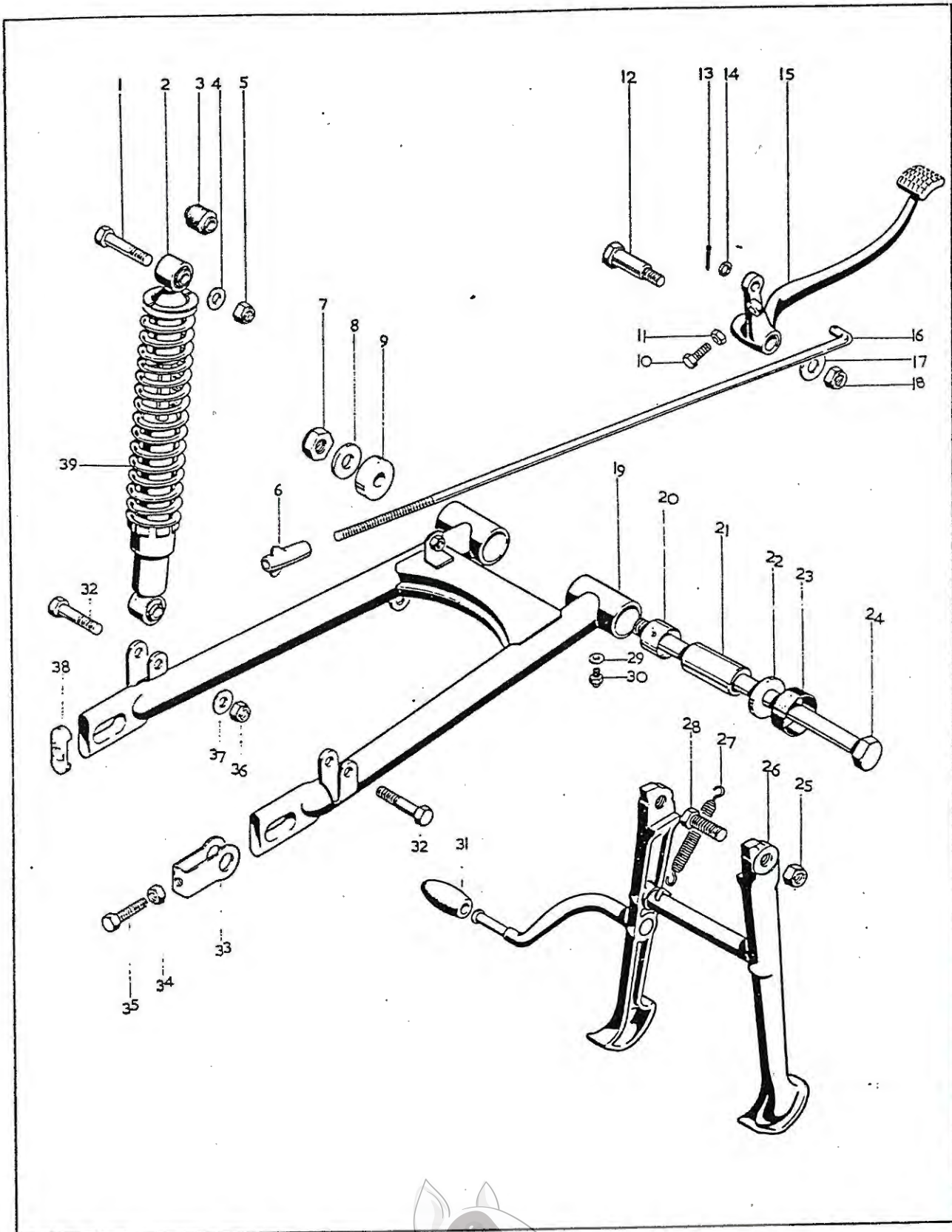


Plate 11

SWINGING ARM — CENTRE STAND — REAR BRAKE CONTROL

Model	Key No.	Spares No.	Description	Per Set
L T	1	14-0235	Bolt — suspension unit fixing, top ($\frac{3}{8}$ " UN.F. \times 2")	2
L T	2	19-7471	Suspension unit (Girling 64052497)	2
L T	3	19-7461	Bush — suspension unit (Girling 64533645)	4
L T	4	60-2331	Washer — suspension unit bolt (\cdot 390" \times \cdot 745" \times \cdot 048")	4
L T	5	14-1303	Locknut — suspension unit bolt, top and bottom ($\frac{3}{8}$ " UN.F.)	4
L T	6	82-7387	Nut — brake rod adjuster	1
L T	7	14-1307	Locknut — swinging arm pivot bolt ($\frac{5}{8}$ " UN.F.)	1
L T	8	68-0324	Washer — swinging arm pivot bolt	2
L T	9	83-2689	Distance piece — swinging arm pivot, left	1
L T	10	14-0103	Bolt — stop light adjustment ($\frac{1}{4}$ " UN.F. \times $\frac{3}{4}$ ")	1
L T	11	14-0301	Nut — stop light adjustment bolt ($\frac{1}{4}$ " UN.F.)	1
L T	12	21-2045	Pivot bolt — brake pedal	1
L T	13	60-2683	Split pin	1
L T	14	60-2393	Washer — brake rod (\cdot 256" \times \cdot 500" \times \cdot 040")	1
L T	15	83-2666	Brake pedal	1
L T	16	83-2860	Brake rod	1
L T	17	02-2138	Washer — brake pedal pivot bolt	1
L T	18	14-1303	Locknut — brake pedal pivot bolt ($\frac{3}{8}$ " UN.F.)	1
L T	19	83-2513	Swinging arm assembly	1
L T	20	83-2521	Bush — swinging arm pivot	4
L T	21	83-2691	Sleeve — swinging arm pivot	2
L T	22	83-2690	Distance piece — swinging arm pivot, right	1
L T	23	83-2692	Dust excluder — swinging arm pivot	4
L T	24	21-2087	Bolt — swinging arm pivot	1
L T	25	14-1304	Locknut — centre stand pivot bolt ($\frac{7}{16}$ " UN.F.)	2
L T	26	83-2627	Centre stand	1
L T	27	83-3793	Spring — centre stand	1
L T	28	21-2077	Bolt — centre stand pivot	2
L T	29	24-1088	Washer — grease nipple	2
L T	30	60-1841	Grease nipple — swinging arm	2
L T	31	57-2331	Rubber — centre stand extension arm	1
L T	32	14-0234	Bolt — suspension unit, bottom ($\frac{3}{8}$ " UN.F. \times $1\frac{3}{4}$ ")	2
L T	33	37-3742	Chain adjuster	2
L T	34	14-0301	Nut — chain adjuster bolt ($\frac{1}{4}$ " UN.F.)	2
L T	35	14-0107	Bolt — chain adjuster ($\frac{1}{4}$ " UN.F. \times $1\frac{1}{2}$ ")	2
L T	36	14-1303	Nut — suspension unit bolt, bottom ($\frac{3}{8}$ " UN.F.)	2
L T	37	60-2331	Washer — suspension unit bolt, top (\cdot 390" \times \cdot 745" \times \cdot 048")	2
L T	38	83-3082	Cover plate — swinging arm fork end	2
L T	39	19-7469	Spring — suspension unit (Girling 64545350)	2



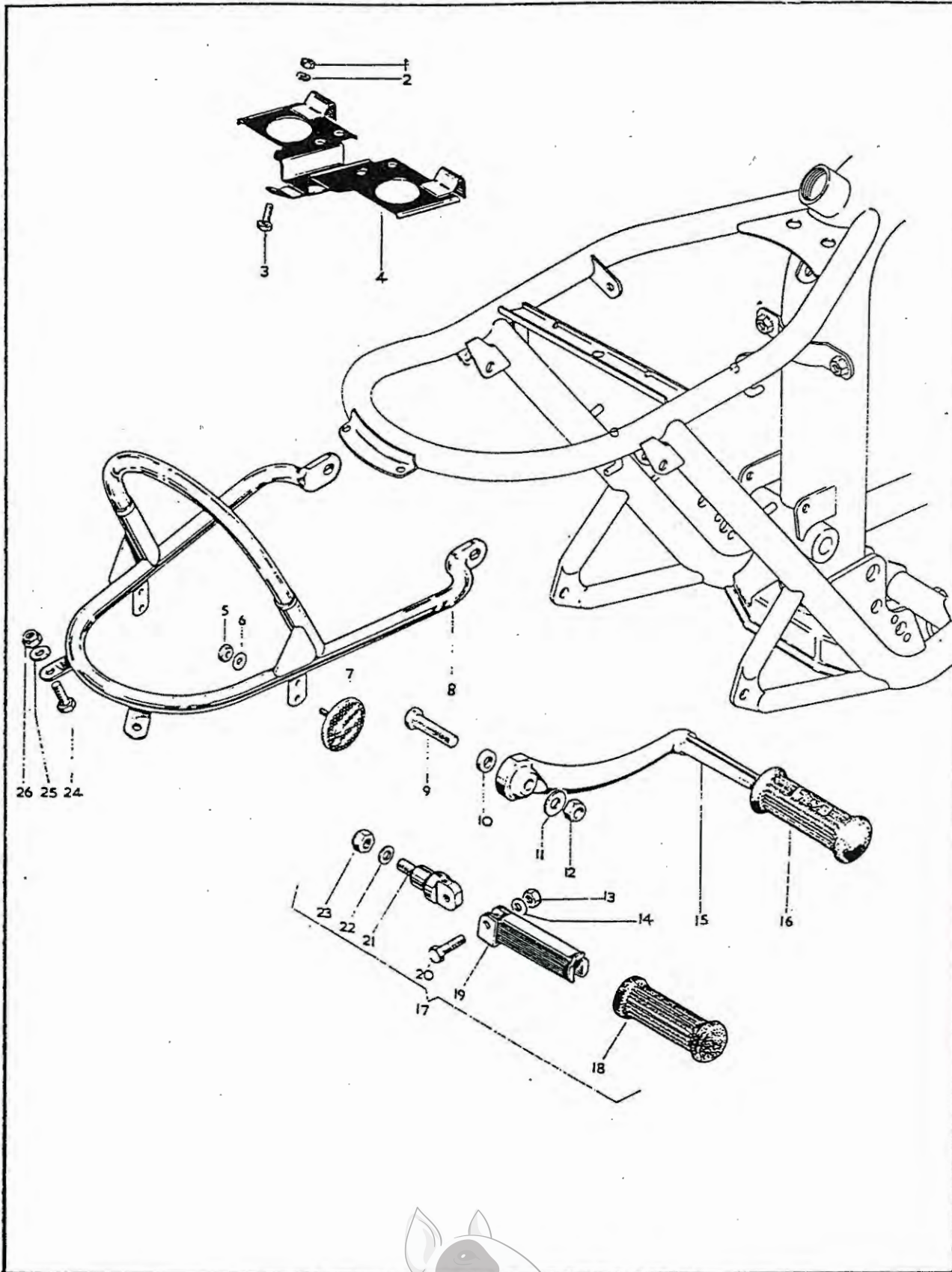
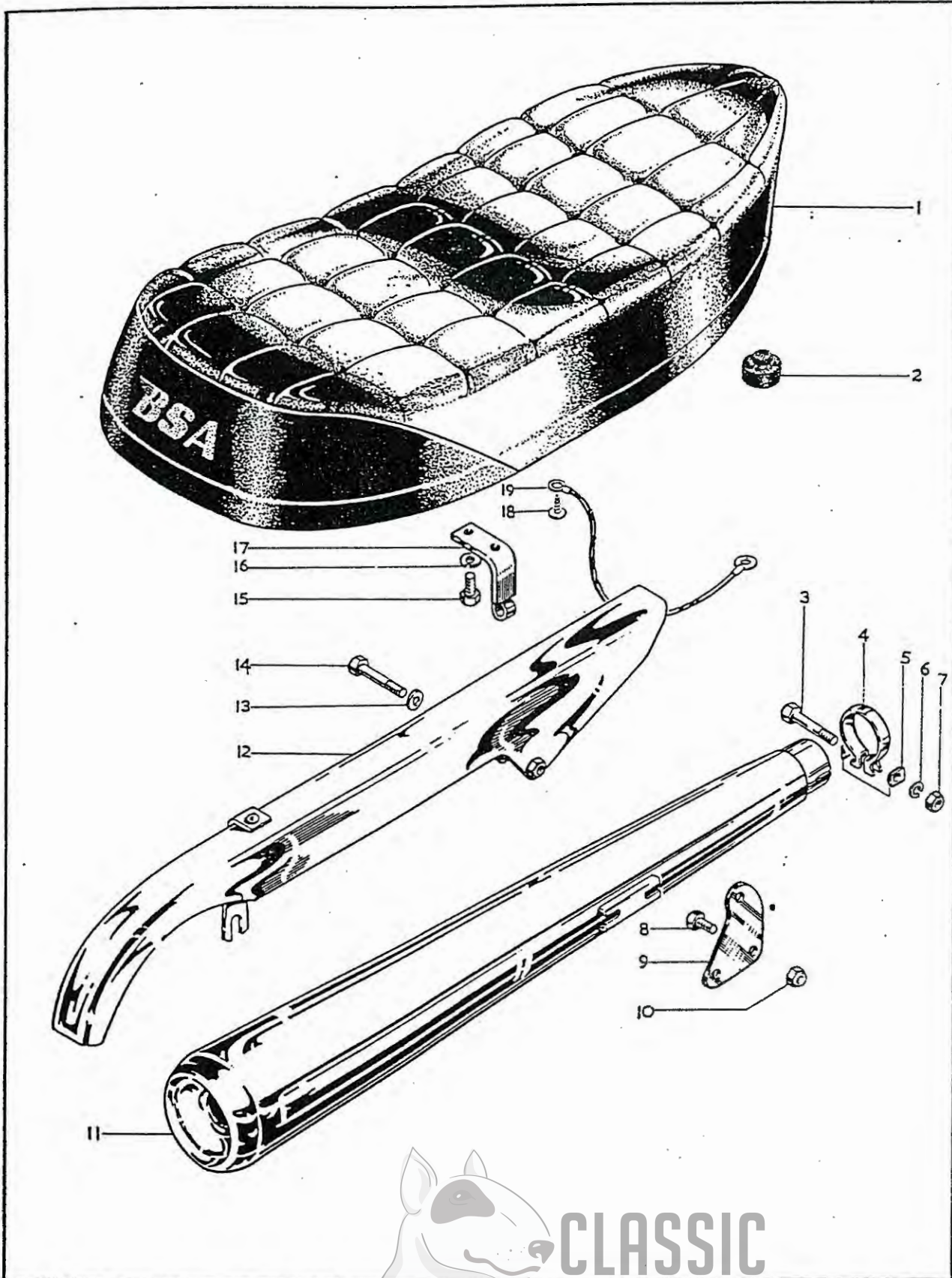


Plate 12

SUPPORT RAIL — FOOTRESTS — COIL PLATFORM

<i>Model</i>	<i>Key No.</i>	<i>Spares No.</i>	<i>Description</i>	<i>Per Set</i>
L T	1	14-1301	Locknut — platform to mudguard bolt	1
L T	2	60-2329	Washer — platform to mudguard bolt	1
L T	3	14-0101	Bolt — platform to mudguard ($\frac{1}{4}$ " UN.F. \times $\frac{1}{2}$ ")	1
L T	4	83-2571	Platform — ignition coil mounting	1
L T	5	82-4717	Nut — reflector fixing	2
L T	6	60-2391	Washer — reflector fixing ($\cdot 200$ " \times $\cdot 390$ " \times $\cdot 032$ ")	2
L T	7	60-3041	Reflector	2
L T	8	83-2768	Support rail and grab handle assembly	1
L T	9	14-0259	Bolt — footrest to frame ($\frac{1}{2}$ " UN.F. \times $1\frac{1}{8}$ ")	2
L T	10	83-3602	Collar — footrest to frame bolt	2
L T	11	60-2333	Washer — footrest to frame bolt	2
L T	12	14-1305	Locknut — footrest to frame bolt	2
L T	13	14-1302	Locknut — pillion footrest pivot bolt ($\frac{3}{16}$ " UN.F.)	2
L T	14	02-0861	Washer — pillion footrest pivot bolt	2
L T	15	83-2854	Footrest complete — front	2
L T	16	83-2651	Rubber — front footrest	2
L T	17	83-2841	Pillion footrest assembly	2
L T	18	29-7583	Rubber — pillion footrest	2
L T	19	68-4835	Pillion footrest	2
L T	20	14-0217	Bolt — pillion footrest pivot	2
L T	21	83-3207	Anchor bolt — pillion footrest	2
L T	22	53-0243	Washer — pillion footrest anchor bolt	2
L T	23	14-1302	Locknut — pillion footrest anchor bolt ($\frac{3}{8}$ " UN.F.)	2
L T	24	14-0101	Bolt — mudguard to support rail ($\frac{1}{4}$ " UN.F. \times $\frac{1}{2}$ ")	2
L T	25	60-2329	Washer — mudguard to support rail ($\cdot 270$ " \times $\cdot 560$ " \times $\cdot 036$ ")	2
L T	26	14-1301	Locknut — mudguard to support rail ($\frac{1}{4}$ " UN.F.)	2





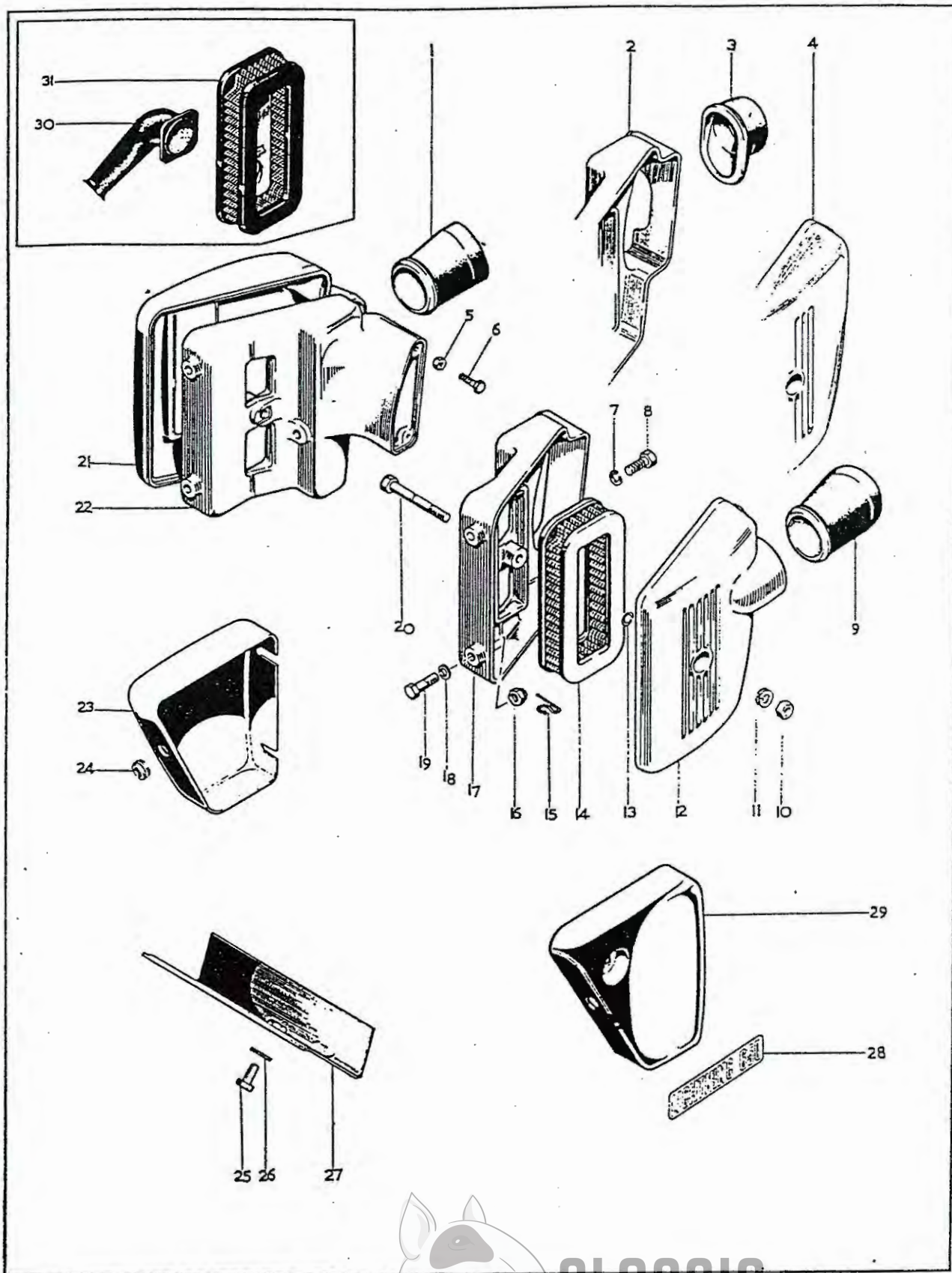
TWINSEAT — CHAINGUARD — SILENCER

<i>Model</i>	<i>Key No.</i>	<i>Spares No.</i>	<i>Description</i>	<i>Per Set</i>
L T	1	83-3633	Twinseat	1
L T	1	19-6063	Cover only — twinseat	1
L T	2	40-8046	Rubber buffer -- twinseat	5
L T	3	14-0219	Bolt — silencer clamp ($\frac{5}{16}$ " UN.F. \times $1\frac{1}{2}$ ")	2
L T	4	75-2725	Clamp — silencer to exhaust pipe	2
L T	5	75-2719	"D" washer — silencer clamp	4
L T	6	54-8003	Spring washer — silencer clamp bolt	2
L T	7	21-1908	Nut — silencer clamp bolt ($\frac{5}{16}$ " UN.F.)	2
L T	8	14-0101	Bolt — bracket to silencer ($\frac{1}{4}$ " UN.F. \times $\frac{1}{2}$ ")	4
L T	9	71-2283	Bracket — silencer to frame	2
L T	10	14-1301	Nut — bracket to silencer bolt ($\frac{1}{4}$ " UN.F.)	4
L T	11	71-2382	Silencer	1
L T	11	71-1710*	Silencer	1
L T	12	83-2640	Chainguard	1
L T	13	60-2347	Washer — chainguard fixing bolt, front	1
L T	14	14-0206	Bolt — chainguard fixing, front ($\frac{1}{4}$ " UN.F. \times $1\frac{1}{4}$ ")	1
L T	15	14-0101	Bolt — hinge to twinseat ($\frac{1}{4}$ " UN.F. \times $\frac{1}{2}$ ")	4
L T	16	60-2417	Spring washer	4
L T	17	83-2867	Hinge — twinseat	2
L T	18	60-2381	Screw — self-tapping	2
L T	19	60-2087	Checkwire — twinseat	1

*Home and general export.

For colour finish code refer to page 3.



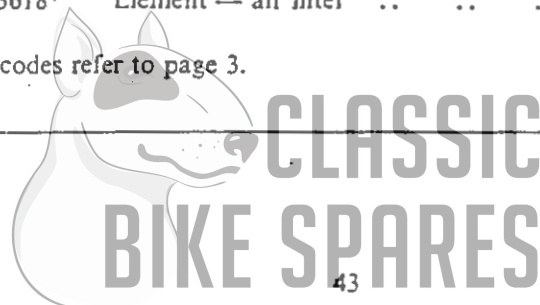


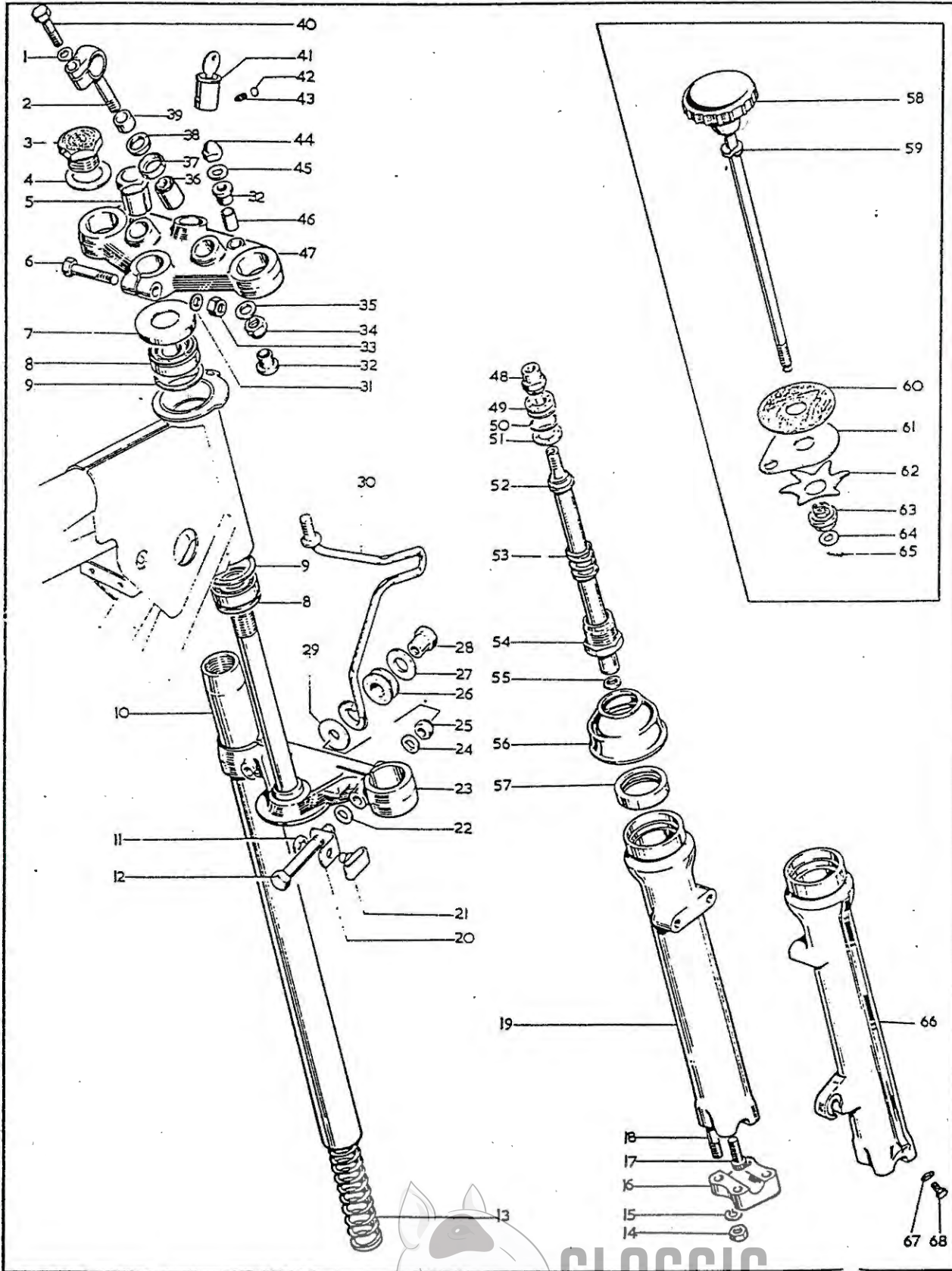
SIDECOVERS — AIR FILTER

Model	Key No.	Spares No.	Description	Per Set
L	1	83-2623	Connector hose — carburetter, left	1
T	2	83-2797	Body — air filter, right	1
T	2	83-2798	Body — air filter, left	1
T	3	83-2625	Connector hose — carburetter	1
T	4	83-4012	Cover — air filter, right	1
T	4	83-4013	Cover — air filter, left	1
L T	5	54-9224	Nut — air filter body screw	2
L T	6	60-3539	Screw — air filter body fixing	2
L T	7	60-2418	Spring washer — air filter body bolt (.343" × .503" × .080")	2
L T	8	14-0217	Bolt — air filter body to frame ($\frac{5}{16}$ " UN.F. × 1 $\frac{1}{4}$ ")	2
L	9	83-2624	Connector hose — carburetter, right	1
L T	10	14-0302	Nut — air filter cover bolt ($\frac{3}{8}$ " UN.F.)	2
L T	11	60-2438	Spring washer — air filter cover bolt (.344" × .576" × .048")	2
L	12	83-4015	Cover — air filter, right	1
L T	13	83-2799	Circlip — air filter cover bolt retainer	2
L T	14	60-3072	Element — air filter	2
L T	15	83-3417	Spring clip — air filter	4
L T	16	14-1301	Nut — sidecover to air filter body ($\frac{1}{4}$ " UN.F.)	4
L	17	83-2750	Air filter body — right	1
L T	18	60-2329	Washer — sidecover fixing bolt (.328" × .620" × .040")	4
L T	19	14-0201	Bolt — sidecover ($\frac{3}{8}$ " UN.F. × 1")	4
L	20	14-0221	Bolt — air filter cover fixing ($\frac{5}{16}$ " UN.F. × 2")	2
L	21	83-4014	Cover — air filter, left	1
L	22	83-2749	Body — air filter, left	1
L T	23	83-4010	Sidecover — left	1
L T	24	68-8367	Grommet — sidecovers	2
L T	25	14-0101	Bolt — tool tray fixing ($\frac{1}{2}$ " UN.F. × $\frac{1}{2}$ ")	1
L T	26	60-2329	Washer — tool tray fixing bolt (.270" × .562" × .036")	1
L T	27	83-3292	Tool tray	1
L	28	60-3729	Transfer — sidecover	2
T	28	60-3730	Transfer — sidecover	2
L T	29	83-4011	Sidecover — right	1
L T	30	83-3781*	Rubber tube — air intake filter element	1
L T	31	60-3618*	Element — air filter	1

For colour finish codes refer to page 3.

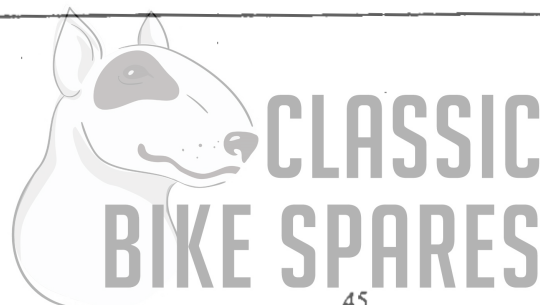
*Home and General Export

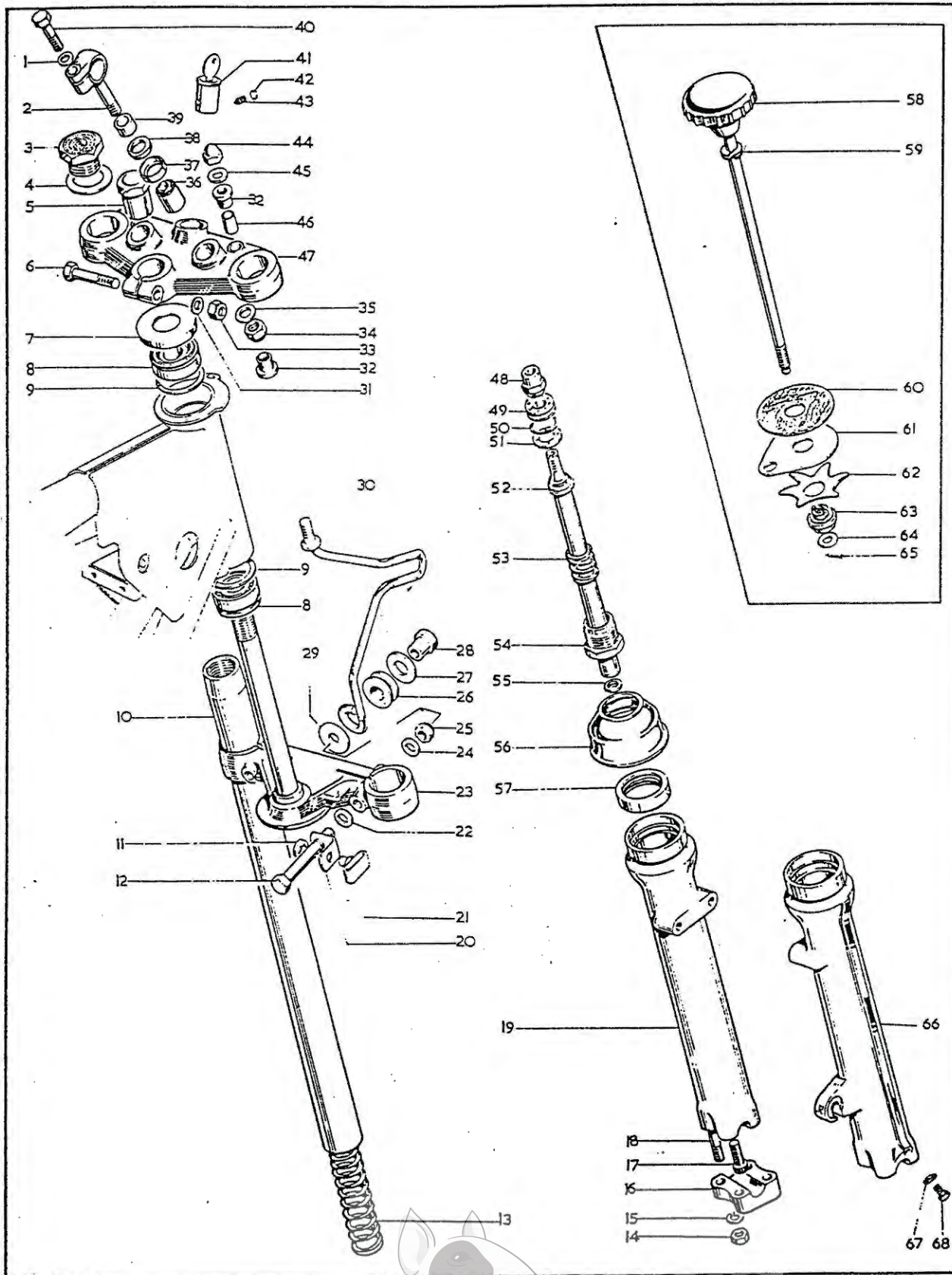




FRONT FORK

Model	Key No.	Spares No.	Description	Per Set
LT		97-4338	Front fork complete	1
LT	1	82-1335	Washer — handlebar clamp	2
LT	2	97-2291	Clamp — handlebar fixing	2
LT	3	97-4258	Nut — stanchion, top	2
LT	4	97-4166	Washer — stanchion, top	2
LT	5	97-4317	Nut — steering stem	2
LT	5	97-4318	Nut — steering stem (when steering damper is fitted)	2
LT	6	14-0234	Pinch bolt — top yoke	1
LT	7	97-4028	Dust excluder	1
LT	8	97-4031	Taper roller bearing	2
LT	9	83-2007	Abutment ring — bearing	2
LT	10	97-4007	Stanchion	2
LT	11	82-8245	Lockwasher — brake cable retainer	1
LT	12	14-0237	Pinch bolt — bottom yoke	2
LT	13	97-4011	Fork spring	2
LT	14	14-0302	Nut — fork end cap ($\frac{1}{16}$ " UN.F.)	8
LT	15	60-2428	Washer — fork end cap ($.333" \times .625" \times .072"$)	8
LT	16	97-3947	Cap — fork end	2
LT	17	14-1019	Screw — damper tube retaining	2
LT	18	21-2102	Stud — fork end	8
LT	19	97-4033	Outer member complete — left	1
LT	20	97-3682	Bracket — brake cable retainer	1
LT	21	97-2270	Retainer — brake	1
LT	22	02-2138	Washer — bottom yoke pinch bolt ($.380" \times .750" \times .064"$)	2
LT	23	97-4315	Bottom yoke	1
LT	24	02-2138	Washer — bottom yoke pinch bolt ($.380" \times .750" \times .064"$)	2
LT	25	14-1303	Locknut — bottom yoke pinch bolt ($\frac{3}{8}$ " UN.F.)	2
LT	26	60-2630	Grommet — headlamp bracket mounting, lower	2
LT	27	60-2333	Washer — headlamp bracket mounting ($.515" \times .995" \times .056"$)	1
LT	28	21-2062	Sleeve nut — headlamp bracket mounting, lower	1
LT	29	82-9046	Washer — headlamp bracket fixing, lower	2
LT	30	97-4060	Bracket — headlamp mounting, right	1
LT	30	97-4058	Bracket — headlamp mounting, left	1
LT	31	02-2138	Washer — top yoke pinch bolt ($.380" \times .750" \times .064"$)	1
LT	32	83-2209	Rubber bush — headlamp mounting bracket, upper	2
LT	33	14-1303	Nut — top yoke pinch bolt ($\frac{3}{8}$ " UN.F.)	1
LT	34	14-1303	Nut — handlebar clamp mounting ($\frac{3}{8}$ " UN.F.)	2
LT	35	97-1529	Washer — handlebar clamp mounting	2
LT	36	97-1527	Bush — handlebar clamp mounting	2
LT	37	97-2221	Cup — handlebar clamp mounting	2

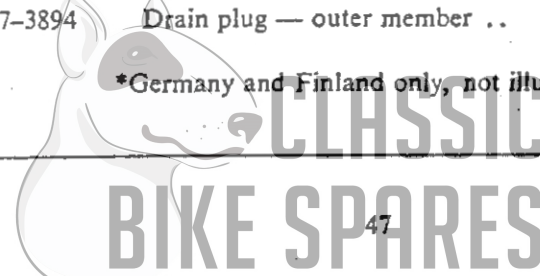




FRONT FORK

Model	Key No.	Spares No.	Description	Per Set
LT	38	97-1580	Rubber washer — handlebar clamp mounting	2
LT	39	97-1581	Distance piece — handlebar clamp mounting	2
LT	40	21-0589	Bolt — handlebar clamp	2
LT	41	68-5050	Steering lock and key	1
LT	41	60-3495*	Steering lock and key	1
LT	41	60-3496*	Steering lock housing	1
LT	41	60-3498*	Woodruff key — steering lock	1
LT	41	60-3497*	Conical spring	1
LT	42	97-2266	Sealing washer — steering lock grub-screw	1
LT	43	21-0578	Grub-screw — steering lock	1
LT	44	21-1809	Nut — headlamp mounting bracket, top	2
LT	45	60-2338	Washer — headlamp mounting bracket, top (.270" x .625" x .056")	2
LT	46	83-2211	Spacer — headlamp mounting bracket, top	2
LT	47	97-4084	Top yoke complete — with steering lock	1
LT	47	97-4207*	Top yoke complete — with steering lock	1
LT	48	97-4012	Nut — damper valve	2
LT	49	97-4020	Valve — damper	2
LT	50	97-4003	"O" ring — damper valve	2
LT	51	97-4010	Washer — damper	2
LT	52	97-3996	Damper tube complete	2
LT	53	97-4009	Recoil spring	2
LT	54	97-4076	Stanchion end plug	2
LT	55	97-4004	Sealing washer — damper tube, lower	2
LT	56	97-4002	Scraper sleeve — outer member	2
LT	57	97-4001	Oil seal — outer member	2
LT	58	97-3875	Steering damper rod complete	1
LT	59	60-2438	Spring washer — damper rod (.344" x .576" x .048")	1
LT	60	97-0435	Friction washer — steering damper	1
LT	61	97-1797	Anchor plate — steering damper	1
LT	62	97-0095	Spring plate — steering damper	1
LT	63	97-4102	Nut — steering damper rod	1
LT	64	60-2329	Washer — steering damper (.265" x .557" x .036")..	1
LT	65	97-2720	Split pin ($\frac{3}{32}$ " x $\frac{1}{2}$ "	1
LT	66	97-4085	Outer member — right.. .. .	1
LT	67	97-3893	Washer — drain plug	2
LT	68	97-3894	Drain plug — outer member	2

*Germany and Finland only, not illustrated.

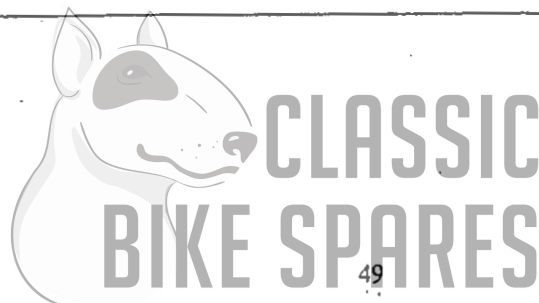


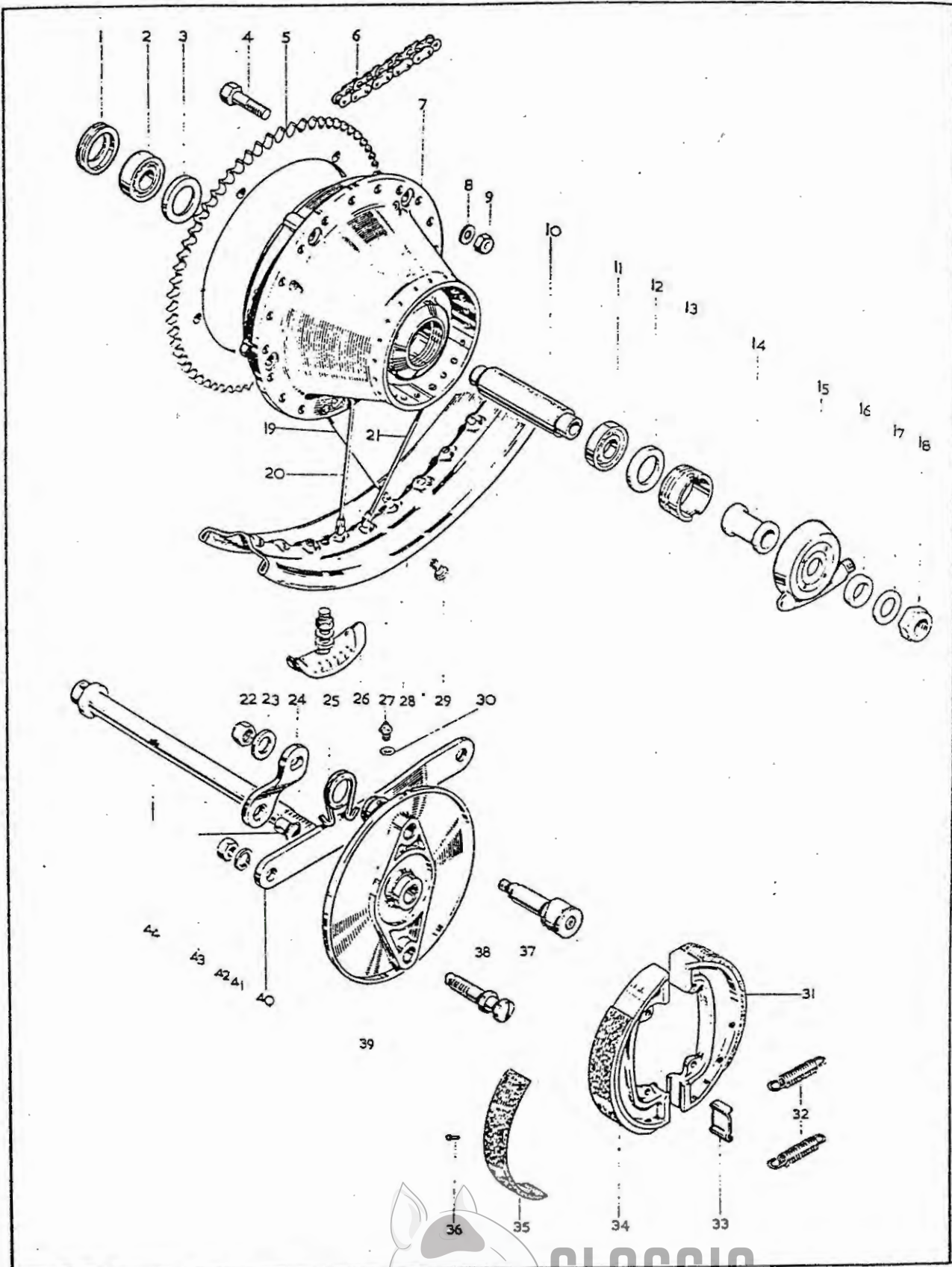
FRONT WHEEL

Model	Plate Ref.	Spares No.	Description	Per Set
LT		37-3847*	Front wheel complete	1
LT	1	57-0280	Circlip — grease retainer, left	1
LT	2	37-1237	Grease retainer — outer, left	1
LT	3	37-0653	Bearing (Hoffmann 120)	1
LT	4	37-1481	Grease retainer — inner, left	1
LT	5	37-3848	Hub with spindle and bearings	1
LT	6	37-3796	Spindle	1
LT	7	60-2632	Circlip — grease retainer, right	1
LT	8	37-3797	Grease retainer — right	1
LT	9	37-3932	Distance piece — inner side of right bearing	1
LT	10	37-0653	Bearing (Hoffmann 120)	1
LT	11	37-3759	Locking ring	1
LT	12	60-3669	Grommet — brake drum	1
LT	13	37-3819	Spoke — right, outer	10
LT	14	37-3820	Spoke — right, inner	10
LT	15	37-3821	Spoke — left	20
LT	16	27-6813	Spoke nipple	40
LT	17	37-3818	Wheel rim (WM2 \ 19)	1
LT	18	19-7743	Abutment — Micram adjuster (Lockheed 25241)	1
LT	19	19-7744	Brake shoe (Lockheed 4523-166)	2
LT	20	19-7742	Micram adjuster (Lockheed 3135-514)	2
LT	21	19-7741	Cage — brake adjuster (Lockheed 25253)	2
LT	22	37-3762	Tappet — brake cam	2
LT	23	37-3761	"O" ring — brake tappet	2
LT	24	60-2639	"O" ring — brake cam	2
LT	25	37-3913	Brake lever — front	1
LT	26	37-3997	Bush — front brake cable nipple	1
LT	27	37-2058	Locking nut — wheel spindle	1
LT	28	14-1635	Stud — anchor plate to fork ($\frac{3}{8}$ " UN.C./UN.F. x $1\frac{1}{4}$ ")	1
LT	29	67-0645	Washer — cable bush and abutment	2
LT	30	14-1803	Locknut — anchor plate stud ($\frac{3}{8}$ " UN.F.)	1
LT	31	37-2338	Washer — anchor plate stud	1
LT	32	37-4014	Spring — front brake lever	1
LT	33	37-3996	Abutment bush — front brake cable	1
LT	34	37-3914	Brake lever — rear	1
LT	35	37-3655	Brake anchor plate	1
LT	36	19-7467	Rivet — brake shoe	20
LT	37	19-7466	Lining — brake shoe	2
LT	38	19-7745	Spring — brake shoe	2

*For assemblies see page 5.

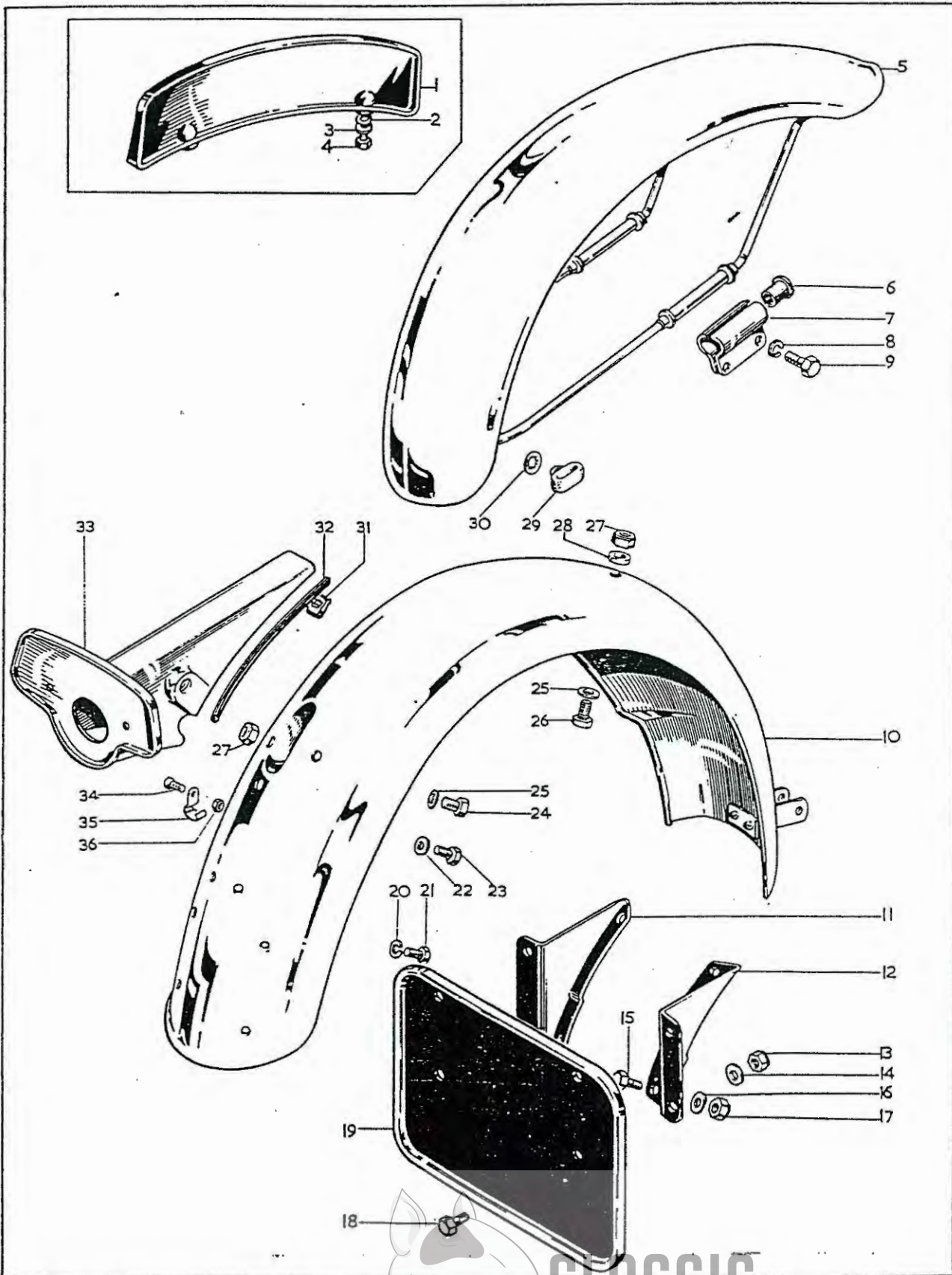
For colour finish code refer to page 3.





REAR WHEEL

Model	Key No.	Spare No.	Description	Per Set
LT		37-3849	Rear wheel less brake and tyre	1
LT	1	37-3752	Locking ring — left	1
LT	2	37-0653	Bearing — left (Hoffmann 120)	1
LT	3	37-3749	Support ring — left	1
LT	4	14-0207	Bolt — sprocket to hub ($\frac{1}{4}$ " UN.F. \times 2")	5
LT	5	37-3747	Sprocket — rear wheel (47 teeth)	1
LT	6	19-8700	Chain — rear ($\frac{3}{8}$ " \times $\frac{3}{8}$ " \times 110 pitches)	1
LT	7	37-3985	Hub with spindle and bearings	1
LT	8	60-2320	Washer — sprocket to hub (\cdot 270" \times \cdot 562" \times \cdot 056")	5
LT	9	14-1301	Nut — sprocket to hub ($\frac{1}{4}$ " UN.F.)	5
LT	10	37-3753	Spacer — bearings	1
LT	11	37-0653	Bearing — left (Hoffmann 120)	1
LT	12	37-1654	Grease retainer — right	1
LT	13	37-3751	Ring — speedometer drive	1
LT	14	37-3750	Distance piece — speedometer drive, inner	1
LT	15	19-9225	Speedometer drive gearbox (1-25/1)	1
LT	16	37-3746	Distance piece — speedometer drive, outer	1
LT	17	83-2266	Washer — rear wheel spindle	1
LT	18	14-1307	Nut — rear wheel spindle ($\frac{5}{8}$ " UN.F.)	1
LT	19	37-3725	Spoke — left, outer	10
LT	20	37-3724	Spoke — left, inner	10
LT	21	37-3726	Spoke — right	20
LT	22	14-1303	Nut — brake lever ($\frac{3}{8}$ " UN.F.)	1
LT	23	60-2331	Washer — brake lever (\cdot 390" \times \cdot 745" \times \cdot 048")	1
LT	24	37-4034	Brake lever	1
LT	25	37-4049	Spring — brake lever return	1
LT	26	37-3468	Security bolt	2
LT	27	60-1841	Nipple — brake cam lubricating	1
LT	28	37-3784	Rim (WM3 \times 18)	1
LT	29	27-6813	Spoke nipple	40
LT	30	24-1088	Fibre washer	1
LT	31	37-3926	Brake shoe complete — trailing	1
LT	32	65-5904	Spring — brake shoe	2
LT	33	37-4071	Pivot pad — brake shoe	2
LT	34	37-3925	Brake shoe complete — leading	1
LT	35	19-7740	Lining — brake shoe	2
LT	36	42-5840	Rivet — brake shoe	16
LT	37	37-3872	Cam — brake shoe	1
LT	38	37-3870	Pivot — brake shoe	1
LT	39	37-3856	Anchor plate	1
LT	40	83-2656	Torque arm	1
LT	41	60-2431	Spring washer — torque arm to brake pivot (\cdot 520" \times 1" \times \cdot 092")	1
LT	42	14-0305	Nut — torque arm to brake pivot ($\frac{1}{2}$ " UN.F.)	1
LT	43	37-1467	Pivot pin — brake rod	1
LT	44	37-3965	Wheel spindle	1



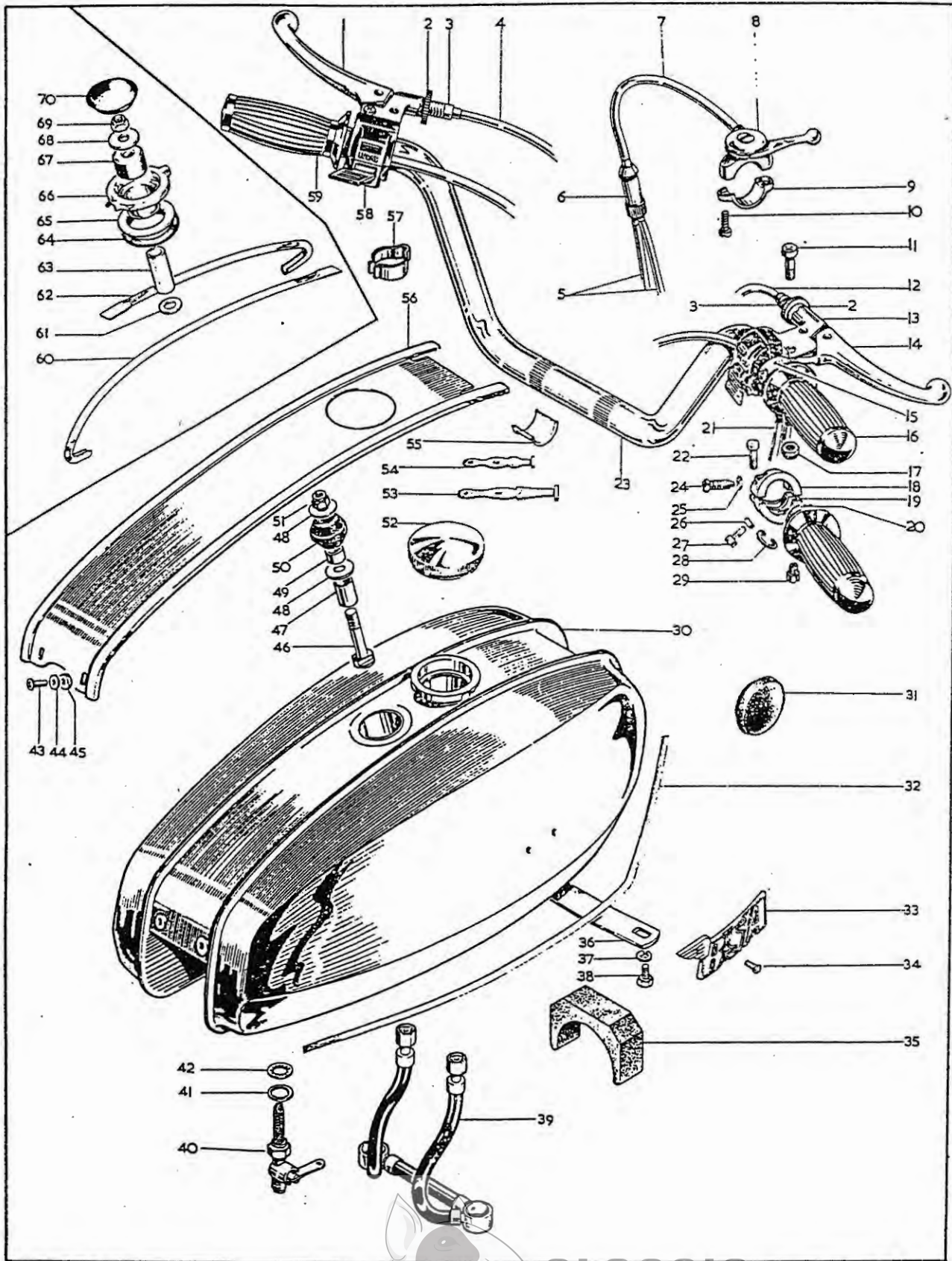
MUDGUARDS

Model	Key No.	Spare No.	Description	Per Set
LT	1	83-2834*	Front number plate	1
LT	2	70-8259*	Neoprene washer — front number plate fixing	2
LT	3	90-6219*	Washer — front number plate fixing	2
LT	4	40-3044*	Screw — front number plate fixing	2
LT	5	97-4270	Front mudguard	1
LT	5	97-4272*	Front mudguard	1
LT	6	97-4021	Rubber bush — mudguard mounting	4
LT	7	97-4022	Bracket — stay to fork mounting	4
LT	8	60-2427	Spring washer — mudguard mounting (-.281" x .465" x .064")	4
LT	9	14-0103	Bolt — mudguard mounting ($\frac{1}{4}$ " UN.F. x $\frac{3}{4}$ ")	4
LT	10	83-3565	Rear mudguard	1
LT	11	83-2727	Bracket — number plate mounting, left	1
LT	12	83-2728	Bracket — number plate mounting, right	1
LT	13	14-1301*	Nut — number plate to bracket ($\frac{1}{4}$ " UN.F.)	4
LT	14	60-2329*	Washer — number plate to bracket (-.265" x .557" x .036")	4
LT	15	14-0102	Bolt — number plate bracket to guard, lower ($\frac{1}{4}$ " UN.F. x $\frac{3}{8}$ ")	2
LT	16	60-2329	Washer — number plate bracket fixing (-.265" x .557" x .036")	2
LT	17	14-1301	Nut — number plate bracket to guard, lower ($\frac{1}{4}$ " UN.F.)	2
LT	18	14-0101*	Bolt — number plate to bracket ($\frac{1}{4}$ " UN.F. x $\frac{1}{2}$ ")	4
LT	19	83-2726*	Rear number plate	1
LT	20	60-2427	Spring washer — rear light bracket fixing (-.281" x .465" x .064")	2
LT	21	14-0101	Bolt — rear light bracket fixing ($\frac{1}{4}$ " UN.F. x $\frac{1}{2}$ ")	2
LT	22	54-9081	Washer — rear light mounting bracket (-.270" x .562" x .056")	1
LT	23	14-6102	Bolt — rear light mounting bracket ($\frac{1}{4}$ " UN.C. x $\frac{1}{2}$ ")	1
LT	24	14-0101	Bolt — mudguard fixing, rear ($\frac{1}{4}$ " UN.F. x $\frac{1}{2}$ ")	2
LT	25	60-2329	Washer — mudguard fixing (-.265" x .557" x .036")	3
LT	26	14-0103	Bolt — mudguard fixing, top	1
LT	27	14-1301	Nut — mudguard fixing ($\frac{1}{4}$ " UN.F.)	3
LT	28	02-0370	Spacer — mudguard fixing (-.325" x .580" x .047")	1
LT	29	97-2270	Retainer — brake cable	1
LT	30	82-8245	Star lockwasher	1
LT	31	60-3313	Spire nut — rear light mounting bracket	1
LT	32	83-3213	Rubber beading strip — mounting bracket	2
LT	33	83-2786	Rear light mounting bracket	1
LT	34	97-3894	Screw — breather pipe to mudguard	4
LT	35	83-3612	Clip — breather pipe to mudguard	4
LT	36	82-4717	Nut — breather pipe to mudguard	4

*Home and General Export

For colour finish code refer to page 3

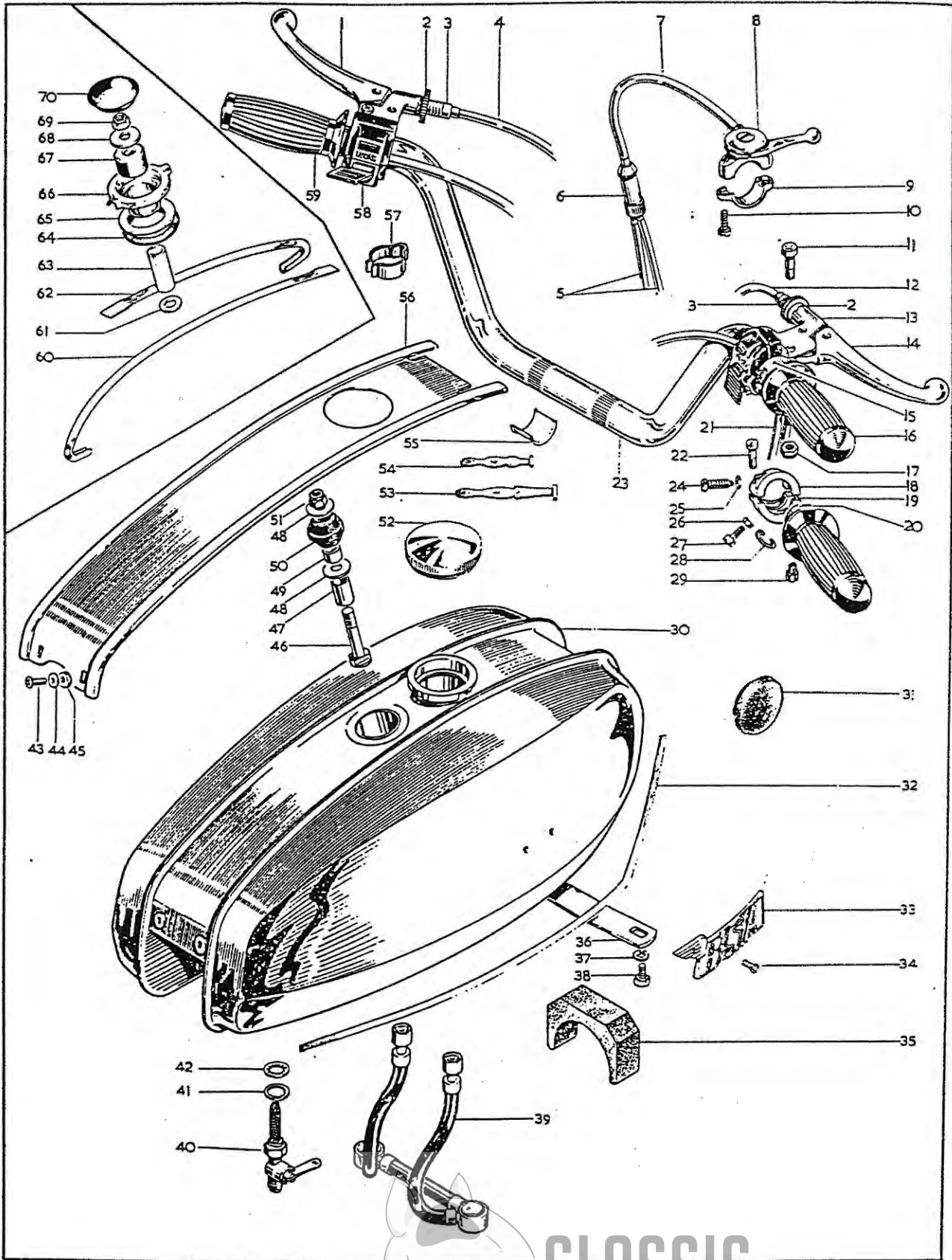




HANDLEBAR — CONTROLS — FUEL TANK

<i>Model</i>	<i>Key No.</i>	<i>Spare No.</i>	<i>Description</i>	<i>Per Set</i>
L	1	60-3657	Lever — clutch control	1
T	1	60-3144	Lever — clutch control	1
LT	2	60-3856	Adjuster nut — clutch cable	2
LT	3	60-3585	Adjuster — clutch cable	2
LT	4	60-3077	Clutch cable	1
L	5	60-3635	Air control cable — junction box to carburetter	1
L	6	19-7086	Junction box (Amal 244/104)	1
L	7	60-0823	Cable — air control	1
T	7	60-0815	Cable — air control	1
LT	8	60-3246	Lever — air control, complete	1
LT	9		Clamp — air control lever (Amal 12/595)	1
LT	10		Screw — air control lever (11/014)	2
LT	11	21-2048	Screw — lever pivot	2
LT	12	60-3815	Cable — front brake	1
LT	13	19-1332*	Switch assembly — right (Lucas 39596)	1
L	14	60-3583	Lever — front brake	1
T	14	60-3648	Lever — front brake	1
L	15	19-7220	Throttle control complete	1
T	15	19-7223	Throttle control complete	1
LT	16	19-7222	Rubber grip — throttle control	1
LT	17	14-1201	Locknut — lever pivot ($\frac{1}{4}$ " UN.F.)	2
L	18		Throttle control body — top half (Amal 313/020)	1
T	18		Throttle control body — top half (Amal 16/328)	1
L	19		Throttle control body — bottom half (Amal 313/021)	1
T	19		Throttle control body — bottom half (Amal 16/329)	1
L	20		Rotor — throttle control	1
T	20		Rotor — throttle control	1
L	21	60-3638	Cable — throttle control	2
T	21	60-0804	Cable — throttle control	1
L	22		Screw — throttle control (Amal 18/084)	2
T	22		Screw — throttle control (Amal 11/013)	2
LT	23	68-4980	Handlebar	1
L	24		Screw — rotor stop (Amal 210/008)	1
L	25		Nut — rotor stop screw (Amal 5/077)	1
LT	26		Nut — friction spring screw (Amal 16/010)	1
LT	27		Screw — friction spring (Amal 16/009)	1
LT	28		Friction spring (Amal 16/008)	1
LT	29		Cable stop	2
LT	30	83-2262	Fuel tank (2½ gallon)	1
LT	30	83-4316	Fuel tank (4 gallon)	1
LT	31	42-8052	Rubber buffer — fuel tank mounting	2
LT	32	60-3330	Styling line transfer (2½ gallon)	1
LT	32	60-3331	Styling line transfer (2½ gallon)	1
LT	32	60-3743	Styling line transfer (4 gallon)	1
LT	32	60-3744	Styling line transfer (4 gallon)	1
LT	33	60-2568	Badge — fuel tank	2

For colour finish code refer to page 3



HANDLEBAR — CONTROLS — FUEL TANK

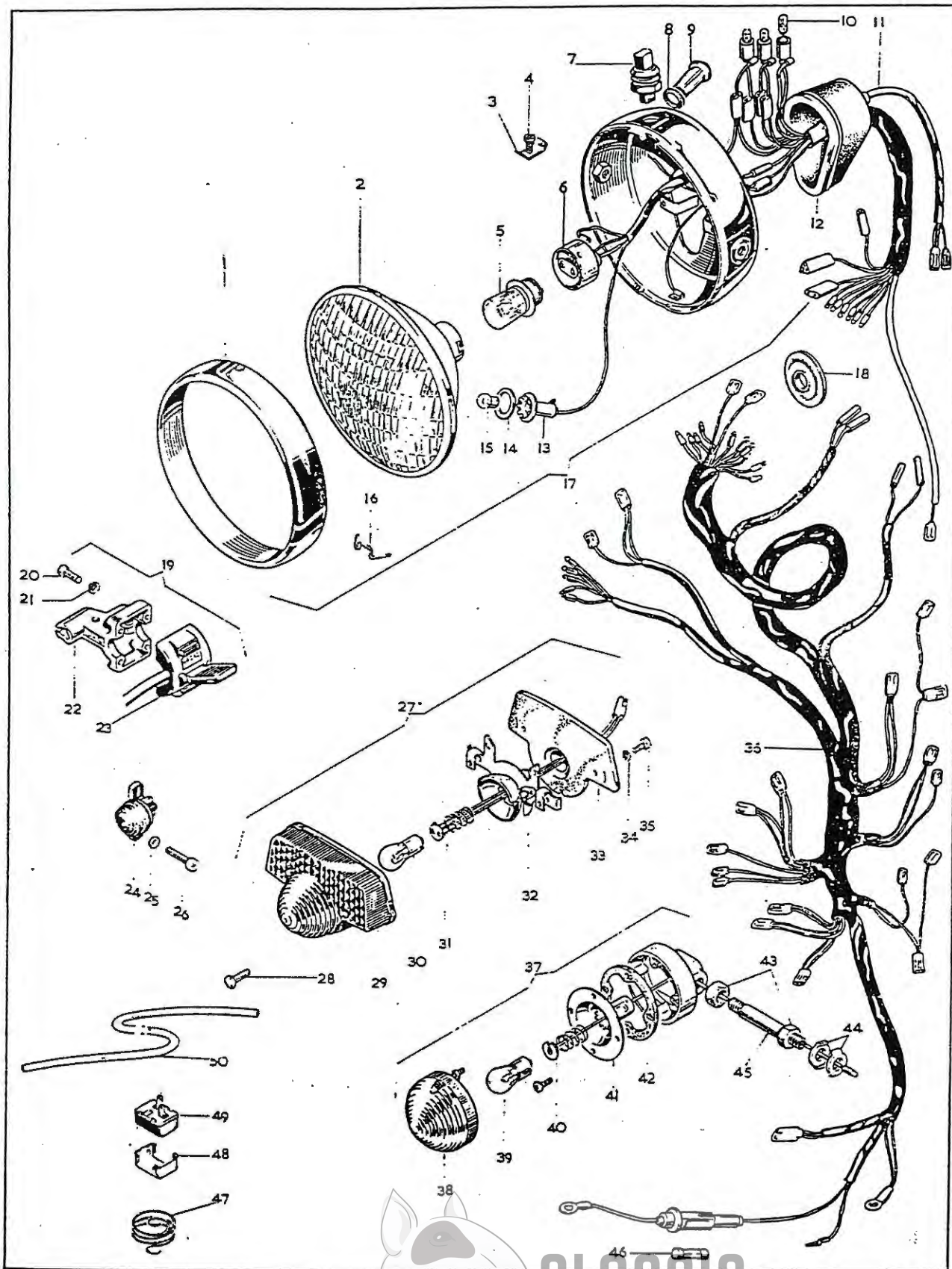
Model	Key No.	Spares No.	Description	Per Set
L T	34	21-2064	Screw — badge to tank	4
L T	35	83-3021	Mounting rubber — fuel tank (4 gallon)	1
L T	35	83-3833	Mounting rubber — fuel tank (2½ gallon)	1
L T	36	83-4118	Bracket — fuel tank fixing (4 gallon)	1
L T	37	60-2428	Spring washer — fuel tank fixing bracket (4 gallon)	1
L T	38	21-5662	Screw — fuel tank fixing bracket (4 gallon)	1
L	39	83-3504	Fuel pipe (2½ gallon)	1
T	39	83-3507	Fuel pipe (2½ gallon)	1
L	39	83-3927	Fuel pipe (4 gallon)	1
T	39	83-3925	Fuel pipe (4 gallon)	1
L T	40	83-2800	Fuel tap	1
L T	40	83-2801	Fuel tap (reserve)	1
L T	41	83-0002	Washer — fuel tap	2
L T	42	70-7351	Sealing washer	2
L T	43	54-9012	Screw — styling strip (2½ gallon)	2
L T	44	76-0293	Washer — styling strip (2½ gallon)	2
L T	45	68-9226	Rubber washer — styling strip (2½ gallon)	2
L T	46	83-2776	Bolt — fuel tank fixing, centre (2½ gallon)	1
L T	47	82-9063	Distance tube — fuel tank fixing, centre (2½ gallon)	1
L T	48	82-9065	Washer — fuel tank fixing, centre (2½ gallon)	2
L T	49	82-3017	Spacer tube — fuel tank fixing, centre (2½ gallon)	1
L T	50	40-8085	Mounting rubber — fuel tank, centre (2½ gallon)	1
L T	51	14-1302	Nut — fuel tank fixing, centre ($\frac{1}{16}$ " UN.F.) (2½ gallon)	1
L T	52	83-3875	Filler cap	1
L T	53	66-9049	Cable clip	2
L T	54	60-0978	Cable clip	6
L T	55	75-4909	Handlebar sleeve	4
L T	56	83-4256	Styling strip (2½ gallon)	1
L T	57	97-4112	Clip — handlebar cable	4
L T	58	19-1333*	Switch assembly — left (Lucas 39595)	1
L T	59	19-7221	Rubber grip — handlebar, left	1
L T	60	83-3182	Styling strip — rear (4 gallon)	1
L T	61	60 2330	Washer — fuel tank fixing, centre (.328" × .620" × .040") (4 gallon)	1
L T	62	83-3181	Styling strip — front (4 gallon)	1
L T	63	83-3834	Distance tube — fuel tank fixing, centre (4 gallon)	1
L T	64	68-8013	Rubber ring — fuel tank fixing, centre (4 gallon)	1
L T	65	68-8019	Mounting ring — fuel tank fixing, centre (4 gallon)	1
L T	66	82-9782	Styling strip holder — fuel tank (4 gallon)	1
L T	67	42-8017	Mounting rubber — fuel tank fixing, centre (4 gallon)	1
L T	68	68-8016	Mounting washer — fuel tank fixing, centre (4 gallon)	1
L T	69	21-1999	Nut — fuel tank fixing, centre (4 gallon)	1
L T	70	83-3068	Grommet — fuel tank fixing, centre (4 gallon)	1

*For switch assembly details see Page 59.

†Home and General Export.

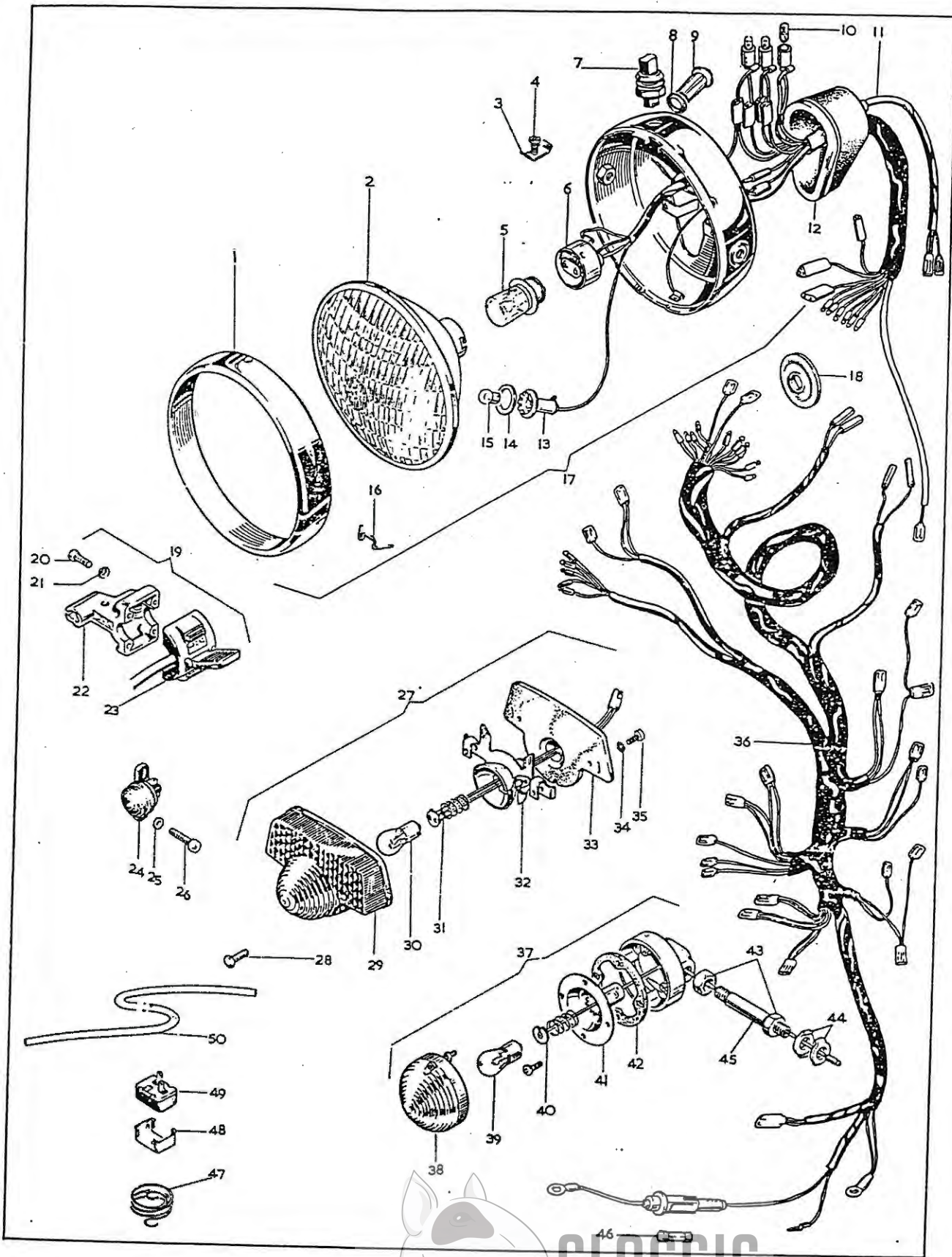
For colour finish code refer to page 3.

Note:—Where no B.S.A. part number is not quoted, that part is available only from manufacturer.



ELECTRICAL EQUIPMENT (PART 1)

<i>Model</i>	<i>Key No.</i>	<i>Spares Number</i>		<i>Description</i>	<i>Per Set</i>
		B.S.A. NO.	MAKERS NO.		
L T	1		553248	Headlamp rim	1
L T	2	19-0960	516801	Light unit	1
L T	3		534296	Plate — rim fixing	1
L T	4		144921	Screw — rim fixing plate	1
L T	5			Bulb — main (370)	1
L T	5	19-1064		Bulb — main, for France (371)	1
L T	6		554602	Bulb holder — main	1
L T	7	19-1095	31276	Light switch	1
L T	8		54140331	Sealing washer — warning lights	3
L T	9		54363453	Direction indicator warning light body — amber	1
L T	9		54363454	Oil pressure warning light body — red	1
L T	9		54363455	Main beam warning light body — green	1
L T	10			Bulb — warning lights (281)	3
L T	11		54959535	Headlamp harness	1
L T	12	19-1349	54524048	Rubber cover — headlamp harness	1
L T	13		54573590	Pilot bulb holder	1
L T	14		554354	Rubber ring — pilot bulb holder	1
L T	15			Bulb — pilot (989)	1
L T	16		504665	Wire clip — light unit fixing	6
L T	17	19-1352	60260	Headlamp complete	1
L T	18		862217	Grommet — harness, at steering head	1
L T	19	19-1333	39595	Switch assembly — left	1
L T	19	19-1332	39596	Switch assembly — right	1
L T	20		54115246	Screw — handlebar switch	8
L T	21		185022	Washer — handlebar switch	8

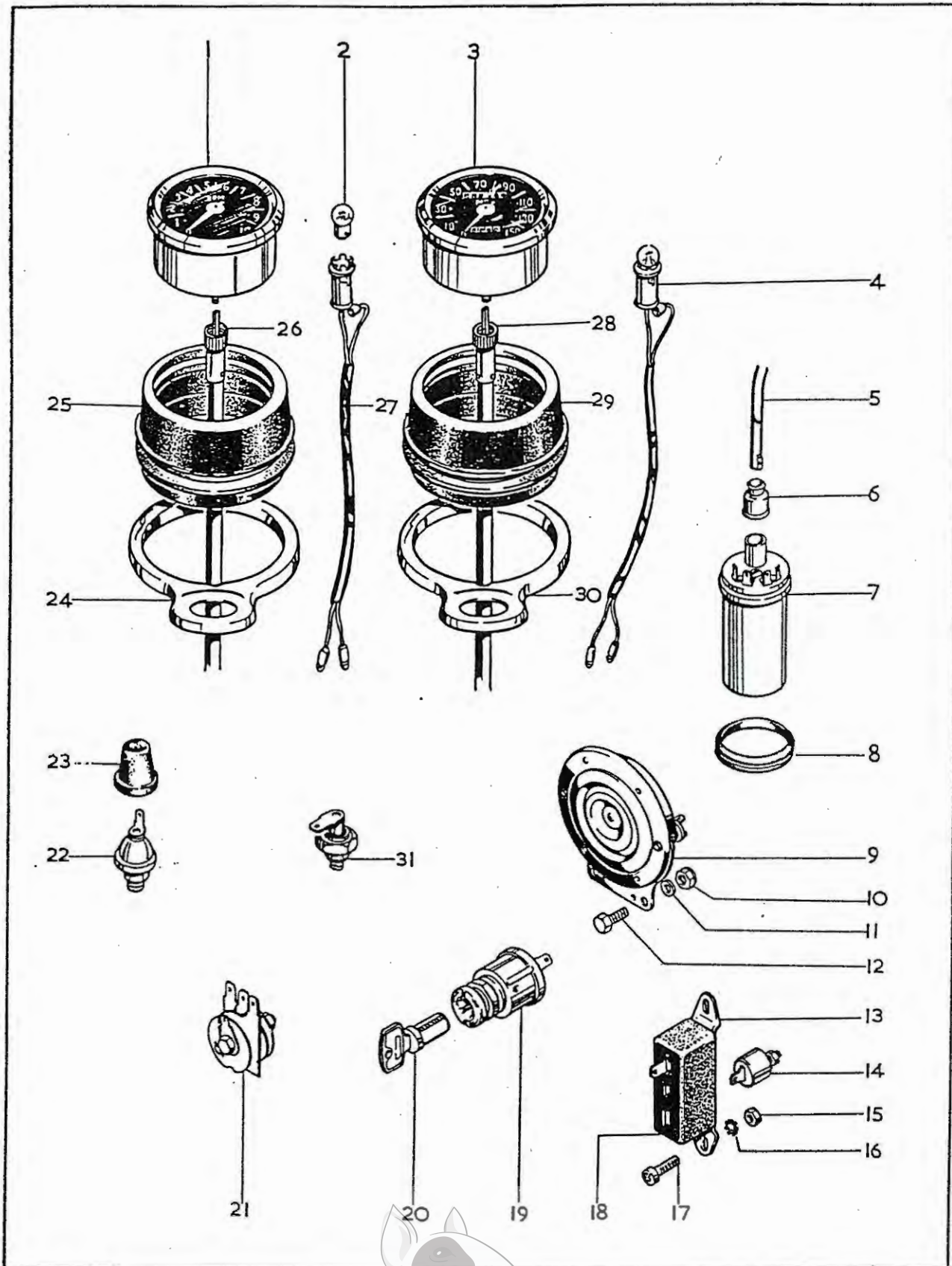


ELECTRICAL EQUIPMENT (PART 1)

Model	Key No.	Spares Number		Description	Per Set	
		B.S.A. NO.	MAKERS NO.			
L T	22	19-1335	54340881	Lever half — switch assembly, left and right 2
L T	23	19-1337	54033667	Switch half — switch assembly, right 1
L T	23	19-1334	54033666	Switch half — switch assembly, left 1
L T	24	19-0916	34815	Stop switch — rear 1
L T	25	26-9461		Washer — rear stop switch screw 4
L T	26	60-3550		Screw — rear stop switch 2
L T	27	19-1245	53973	Rear lamp complete 1
L T	28		144921	Screw — lens fixing 2
L T	29		54577109	Lens — rear lamp 1
L T	30			Bulb — rear lamp (380) 1
L T	31		573828	Interior bulb holder — rear lamp 1
L T	32		54525286	Base plate — rear lamp 1
L T	33		54571677	Gasket — lamp mounting 1
L T	34		188330	Shakeproof washer — lamp fixing 2
L T	35		110714	Screw — lamp fixing 2
L T	36	19-1281	54960710	Main harness 1
L T	37	19-1067	56147	Flasher lamp complete 4
L T	38	19-1068	54581638	Lens assembly — flasher lamp 4
L T	39			Bulb — flasher lamp (382) 4
L T	40		573832	Interior assembly — flasher lamp 4
L T	41		554548	Bulb holder shell 4
L T	42		54580300	Gasket — flasher lamp, rear 4
L T	43		198720	Nut — indicator lamp to stem locking 8
L T	43		198800	Nut — indicator stem fixing 8
L T	44		54525403	Washer — indicator stem fixing, at headlamp 4
L T	45	97-4248		Stem — flasher lamp, front 2
L T	45	83-3525		Stem — flasher lamp, rear 2
L T	46	19-1249	188218	Fuse — main harness (35 amp.) 1
L T	47	19-1353		Spring — flasher unit 1
L T	48	19-1098	54385091	Clip — flasher unit mounting 1
L T	49	19-1055	35048	Flasher unit 1
L T	50	82-7431		Vent pipe — battery 1
L T		19-1776		Battery — PUZ5A (not illustrated) 1

Note:—Where no B.S.A. part number is quoted, that part is available only from the manufacturer.





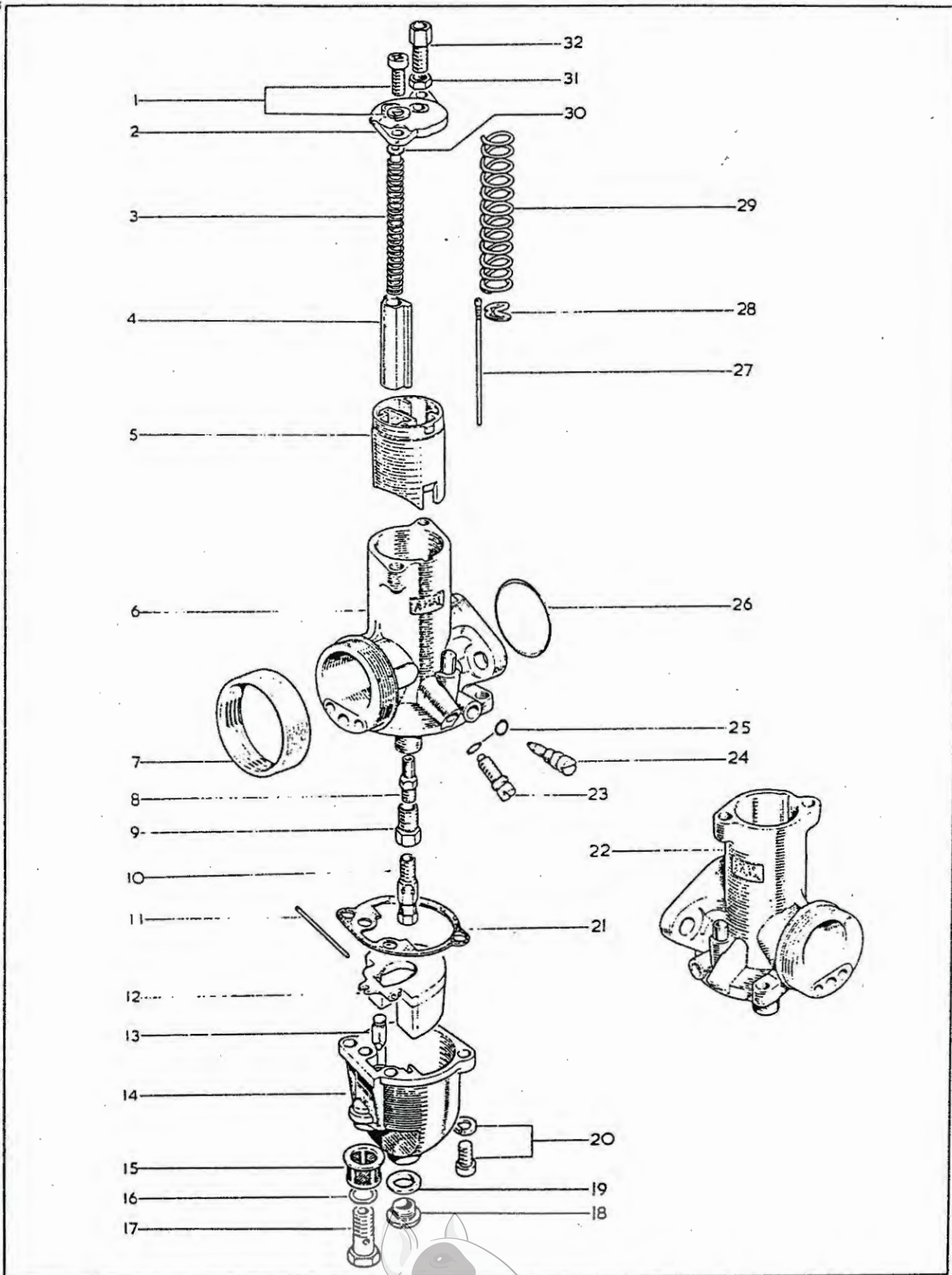
ELECTRICAL EQUIPMENT (PART 2)

Model	Key No.	Spares Number		Description	Per Set
		B.S.A. NO.	MAKERS NO.		
L	1	19-8950	RSM3003/14	Tachometer	1
L T	2			Bulb — speedometer and tachometer (989)	2
L T	3	19-8948	SSM5007/00	Speedometer — m.p.h.	1
L T	3	19-8949	SSM5007/01	Speedometer — k.p.h. (optional)	1
		19-9080		Speedometer trip shaft (not illustrated)	1
L T	4	19-1348	54959626	Light lead — speedometer	1
L T	5	19-1898	54956436	High-tension lead	2
L T	5	19-1899*	54956478	High-tension lead	2
L T	6		54949011	Grommet — high-tension lead	2
L T	7	19-1881	45223	Coil — ignition	2
L T	8	82-9561		Grommet — ignition coil mounting	2
L T	9	19-2084	70216	Horn	1
L T	10	14-1301		Locknut — horn fixing	1
L T	11	60-2393		Washer — horn fixing	1
L T	12	14-0102		Bolt — horn fixing	1
L T	13	19-1861	54418526	Base plate — condenser set	1
L T	14	19-1747	54420128	Condenser	2
L T	15	02-0047		Nut — condenser set fixing ($\frac{1}{16}$ " B.S.C.)	1
L T	16	29-3319		Lockwasher — condenser set fixing	1
L T	17	40-0236		Screw — condenser set fixing (2B.A. $\times \frac{5}{8}$ ")	1
L T	18	19-1848	54418528	Cover — condenser set	1
L T	19	19-1904	39565	Switch — ignition	1
L T	20	82-6981	1-6280	Lock and key — ignition	1
L T	21	19-1715	49072	Rectifier (2DS 506)	1
L T	22	19-6508	5300/07	Switch — oil pressure	1
L T	23	60-2045		Cover — oil pressure switch	1
L	24	97-4026		Bracket — tachometer mounting	1
L	25	60-2600		Rubber cup — tachometer mounting	1
L	26	19-9099		Cable — tachometer drive	1
L	27	19-1348	54959626	Light lead — tachometer	1
L T	28	19-9098		Cable — speedometer drive	1
L T	29	60-2600		Rubber cup — speedometer mounting	1
L T	30	97-4026		Bracket — speedometer mounting	1
L T	31	19-1735	49345	Zener diode (ZD 715)	1

*Home and General Export.

Note:—Where no B.S.A. part number is quoted, that part is available only from the manufacturer.

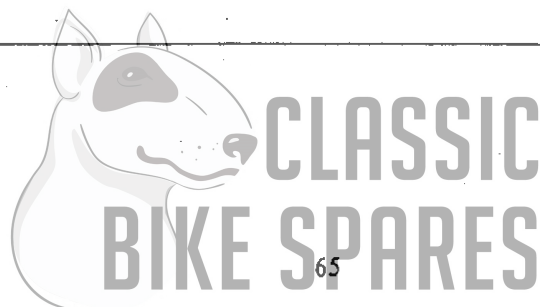


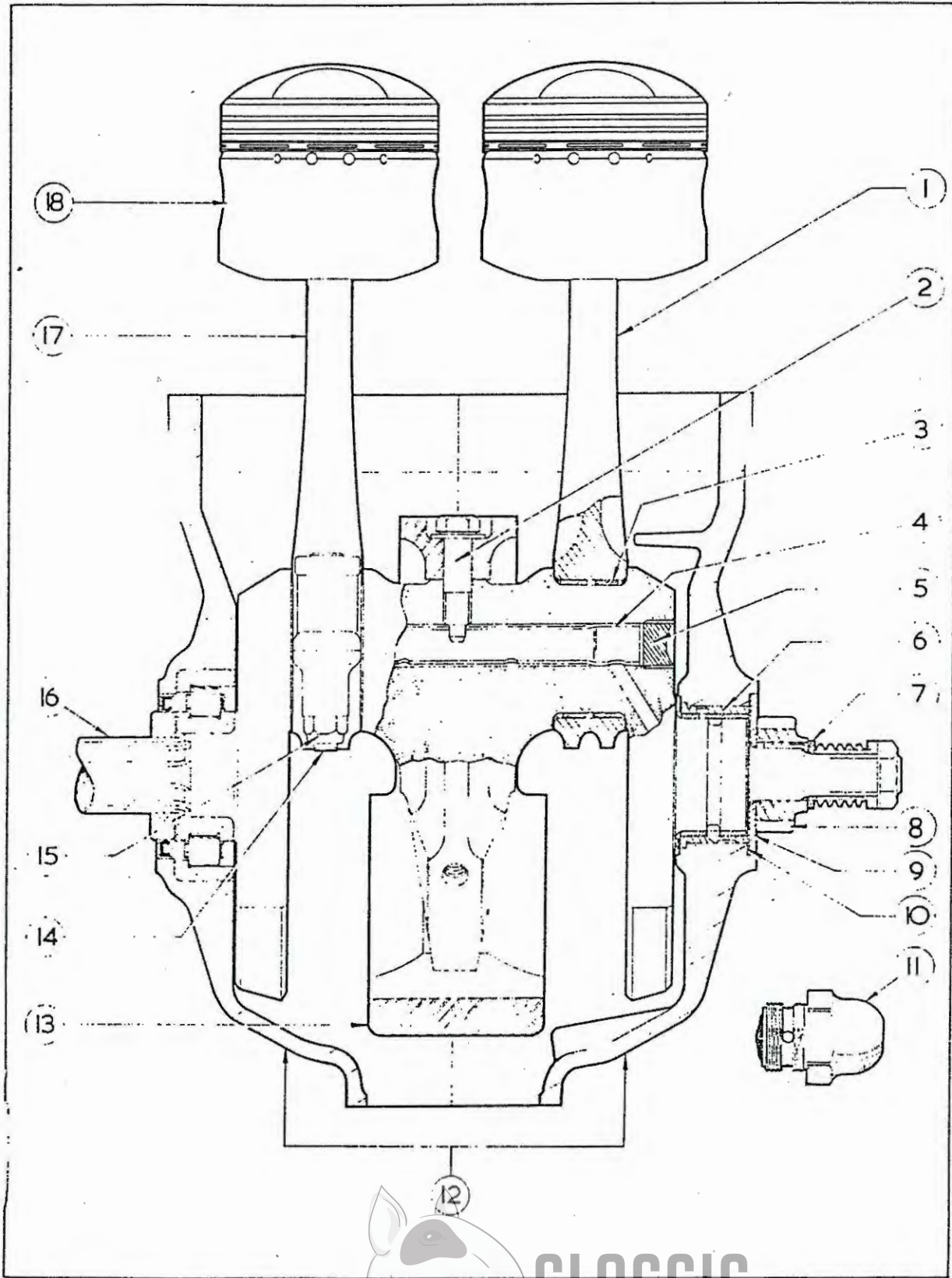


CARBURETTERS

Model	Key No.	Spares Number		Description	Per Set
		B.S.A. NO.	MAKERS NO.		
L		19-2436	R930/70	Carburetter complete — right	1
L		19-2437	L930/71	Carburetter complete — left	1
T		19-2422	R928/17	Carburetter complete	1
LT	1	19-3093	622/086	Screw and washer — top cap	4 or 2
L	2		928/064	Cap — mixing chamber, top	2
T	2		928/098	Cap — mixing chamber, top	1
LT	3		622/129	Spring — air valve	2 or 1
LT	4	19-3109	928/062	Air valve	2 or 1
L	5	19-3108	928/060	Throttle valve — number 3 cutaway	2
T	5	19-3127	928/060	Throttle valve — number 3½ cutaway	1
L	6		R930/005	Carburetter body — right	1
T	6		R928/005	Carburetter body	1
LT	7	71-1860		Adaptor — air filter to carburetter	2 or 1
LT	8	19-3136	622/122	Needle jet (.106)	2 or 1
LT	9		622/128	Jet holder	2 or 1
L	10	19-2878	376/100	Main jet (180 c.c.)	2
T	10		376/100	Main jet (230 c.c.)	1
LT	11	19-3116	622/071	Float spindle	2 or 1
LT	12	19-3102	622/069	Float	2 or 1
LT	13	19-3105	622/068	Float needle	2 or 1
LT	14	19-3143	622/050	Float chamber	2 or 1
LT	15	19-3048	376/093	Fuel filter	2 or 1
T	16	19-2834	13/163	Washer — banjo bolt	1
LT	17	19-3103	622/078	Banjo bolt	2 or 1
LT	18	19-3144	622/147	Drain plug	2 or 1
LT	19		622/151	Washer — drain plug	2 or 1
LT	20	19-3093	622/086	Screw and washer — float chamber	4 or 2
LT	21	19-3106	622/073	Gasket — float chamber	2 or 1
L	22		L930/005	Carburetter body — left	1
LT	23		622/077	Screw — throttle stop	2 or 1
LT	24		622/076	Pilot air screw	2 or 1
LT	25	19-3098	622/082	“O” ring — throttle and air screws	4 or 2
LT	26	19-3090	622/101	“O” ring — carburetter flange	2 or 1
LT	27		622/124	Throttle needle	2 or 1
LT	28	19-3095	622/067	Clip — throttle needle	2 or 1
LT	29	19-3141	622/131	Throttle spring	2 or 1
LT	30		928/103	Guide — air valve spring	2 or 1
LT	31		5/077	Locknut — cable adjuster	2
LT	32		4/035	Cable adjuster	1

Note:—Where no B.S.A. part number is quoted, that part is available only from the manufacturer.





A70 MODEL

Except for the following, all other items are as A65 Lightning

Key No.	Spares No.	Description	Per Set
1	71-2677	Connecting rod — right	1
2	71-2691	Bolt — flywheel to crankshaft	3
3	71-2692	Shell bearing — connecting rod big-end (standard)	4
3	71-2693	Shell bearing — connecting rod big-end (.010" undersize)	4
3	71-2694	Shell bearing — connecting rod big-end (.020" undersize)	4
3	71-2695	Shell bearing — connecting rod big-end (.030" undersize)	4
4	71-2683	Tube — crankshaft sludge trap	1
5	71-2682	Plug — crankshaft sludge trap tube	1
6	71-2697	Bush — crankshaft (standard)	1
6	71-2699	Bush — crankshaft (.010" undersize)	1
6	71-2701	Bush — crankshaft (.020" undersize)	1
7	71-2704	Washer — oil pump drive pinion	1
8	71-2689	Pinion — crankshaft	1
9	71-2681	Thrust washer — crankshaft	1
10	71-2684	Shim — crankshaft (.003")	as reqd.
10	71-2685	Shim — crankshaft (.005")	as reqd.
10	71-2686	Shim — crankshaft (.010")	as reqd.
11	71-2210	Oil pressure release valve	1
12	71-2713	Crankcase complete with fixed fittings	1
13	71-2687	Flywheel	1
14	71-2690	Bolt — connecting rod	4
15	60-3761	Nut — connecting rod bolt ($\frac{5}{16}$ " UN.F.)	4
16	71-2669	Crankshaft	1
17	71-2673	Connecting rod — left	1
18	71-2710	Piston complete (standard)	2
18	71-2884	Piston complete (.020" oversize)	2
18	71-2885	Piston complete (.040" oversize)	2
	71-2708	Crankshaft and flywheel assembly	1
	71-2706	Engine and gearbox unit complete. less carburetter and exhaust system	1
	68-3089	Gearbox sprocket (21 teeth)	1
	68-0686	Distance piece — engine sprocket	1
	60-3728	Transfer — sidecover	2



<i>Model</i>	<i>Key No.</i>	<i>Spares No.</i>	<i>Description</i>	<i>Per Set</i>
LT	1	60-2084	Spanner — open-ended	1
LT	2	60-0767	Screwdriver set	1
LT	3	67-9026	Ring spanner	1
LT	4	60-1050*	Plug spanner	1
LT	5	60-2184	Suspension unit "C" spanner	1
LT	6	40-9017	Box spanner	1
LT	7	60-1911	Tommy bar	1
LT	8	68-9467	Tyre valve key	1
LT	9	19-5390*	Licence holder	1
LT	10	75-9089	Tool roll	1
LT		60-2112	Tool roll complete with tools	1

*Home and general export.

