

BSA **SPARES**

1944-53

Models C10, C11

250 c.c. S.V. 250 c.c. O.H.V.

Rigid and Spring Frames

70-10146C

**CLASSIC
BIKE SPARES**

1949 to 1953

MODELS

- C10 . 250 c.c. S.V. (Rigid Frame) 3-speed
- C10 . 250 c.c. S.V. (Spring Frame) 4-speed
- C11 . 250 c.c. O.H.V. (Rigid Frame) 3-speed
- C11 . 250 c.c. O.H.V. (Spring Frame) 4-speed



CATALOGUE OF



BSA Motor Cycles

All communications relating to Spare Parts or Repairs to Motor Cycles to be addressed to B.S.A. Motor Cycles Ltd.
Service Department, Birmingham, 11

B.S.A. MOTOR CYCLES LTD.

Directors: SIR BERNARD DOCKER, K.B.E. (Chairman)

J. LEEK, C.B.E. J. A. T. DICKINSON, O.B.E.

Registered Offices and Works
Telephones: BIRMINGHAM VICTORIA 2381 (30 lines)

ARMOURY ROAD, BIRMINGHAM, 11
Telegrams and Cables: "SELMOTO, BIRMINGHAM"

Service, Spares and Repairs Department

Telephone: VICTORIA 2234 (6 lines)
Telegrams and Cables: "SELSERV, BIRMINGHAM"

Gearbox

Clutch and Front Chaincase

Frame and Fittings

Rear Suspension

Front Fork and Fittings

Front Hub and Wheel Fittings

Rear Hub and Wheel Fittings

Accessories

Tools and Sundries

Legshields Electrical Equipment

Numerical Index



Contractors to Her Majesty's Government, the War Office, the Admiralty, the Post Office, the Colonial and Foreign Governments

ENGINE AND FRAME MARKINGS 1949 to 1953.

Model.	Type.	Engine.	Frame.	Year.	
C10	250c.c. S.V.	ZC10-101 upwards	ZC10-101 upwards	1949	
C11	250c.c. O.H.V.	ZC11-101 upwards	ZC10-101 upwards	1949	
C10	250c.c. S.V. (Australia)	ZC10-101 upwards	ZC10A-101 upwards	1949	
C10	250c.c. S.V.	ZC10-4,001 upwards	ZC10-10,001 upwards	1950	
C11	250c.c. O.H.V.	ZC11-8,001 upwards	ZC10-10,001 upwards	1950	
C10	250c.c. S.V.	ZC10-7,001 upwards	ZC10-21,001 upwards	1951	
C10	250c.c. S.V. (spring frame)		ZC10S-101 upwards	1951	
C10	250c.c. S.V. (spring frame) 4-speed gearbox.	ZC10-7,001 upwards	ZC10S4-101 upwards	1951	
C10	250c.c. S.V. (Australia)	ZC10A-7,001 upwards	ZC10A-21,001 upwards	1951	
C11	250c.c. O.H.V.	ZC11-16,001 upwards	ZC10-21,001 upwards	1951	
C11	250c.c. O.H.V. (spring frame)	ZC11-16,001 upwards	ZC10S-101 upwards	1951	
C11	250c.c. O.H.V. (spring frame) 4-speed gearbox.		ZC10S4-101 upwards	1951	
			Rigid Frames	Spring Frames.	
C10	250c.c. S.V. (3-speed gearbox)	ZC10-10,001 upwards	ZC10-29,001	ZC10S-2,601	1952
C11	250c.c. O.H.V. (3-speed gearbox)	ZC11-25,001 upwards		ZC10S-2,601	1952
C10	250c.c. (4-speed gearbox)	ZC10-10,001 upwards		ZC10S4-2,001	1952
C11	250c.c. O.H.V. (4-speed gearbox)	ZC11-25,001 upwards		ZC10S4-2,001	1952
C10	250c.c. S.V. (3-speed gearbox)	BC10-101 upwards	BC10-101 upwards	BC10S-101 upwards	1953
C11	250c.c. O.H.V. (3-speed gearbox)	BC11-101 upwards		BC10S-101 upwards	1953
C10	250c.c. S.V. (4-speed gearbox)	BC10-101 upwards		BC10S4-101 upwards	1953
C11	250c.c. O.H.V. (4-speed gearbox)	BC11-101 upwards		BC10S4-101 upwards	1953



SUFFIX NUMBERS TO BE USED TO IDENTIFY VARYING FINISHES FOR
"C" GROUP MOTOR CYCLES.

- /001 Cadmium.
- /003 Bright Chrome.
- /007 Black Enamel.
- /013 Chrome Plate and Matt Silver, lined Black.
- /014 Chrome Plate and Blue, lined Gold.
- /027 Red (Post Office).
- /036 Maroon and Chrome, lined Gold
- /037 Maroon.
- /041 Chrome Rim, Maroon Hub.
- /051 Maroon and Silver, lined Gold

When ordering components with varying finishes—i.e., Petrol Tanks, Wheels, Rims—please state finish required by adding the appropriate suffix number to the part number.

Example—

Petrol Tank Maroon and Chrome, lined Gold, 29-7939/036.

SPARKING PLUGS.

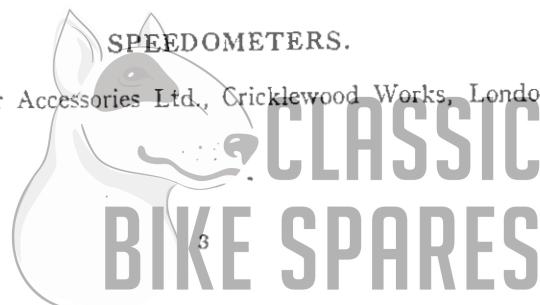
Champion Sparking Plugs Ltd., Feltham, Middlesex.

ELECTRICAL EQUIPMENT.

J. Lucas Ltd., Great King Street, Birmingham.

SPEEDOMETERS.

Smith's Motor Accessories Ltd., Cricklewood Works, London.



Gearbox

Clutch and
Front
ChaincaseFrame and
FittingsRear
SuspensionFront Fork
and
FittingsFront Hub
and Wheel
FittingsRear Hub
and Wheel
Fittings

Accessories

Tools and
SundriesLegshields
Electrical
EquipmentNumeric
Index

SPARES

Please carry out the following in order to ensure prompt attention and correct execution of orders.

When ordering parts the frame and engine numbers must be quoted. The former will be found stamped on the seat or the head tube lug and the latter on the nearside of the crankcase immediately below the cylinder base. It is essential that the component numbers of the parts required be clearly stated.

IMPORTANT.—In quoting engine and frame numbers the full numbers including prefix letters, MUST BE GIVEN

B.S.A. Motor Cycles Ltd. reserve the right to alter the designs or any constructional details of their manufactures at any time without giving notice

COPY OF B.S.A. MOTOR CYCLE SPARE PARTS GUARANTEE

We give the following guarantee with B.S.A. Motor Cycle Spare Parts, instead of the guarantee implied by statute or otherwise, as to the quality or fitness of such parts for the purpose for which they are intended, any such implied guarantee being in all cases excluded, nor can any claim for consequential damages be entertained.

WE GUARANTEE, subject to the conditions mentioned below, that all precautions which are usual and reasonable have been taken by us to secure excellence of materials and workmanship, but this guarantee is to extend and be in force for six months only from the date of purchase, and the damages for which we make ourselves responsible under this guarantee are limited to the replacement of any part which may have proved defective.

WE UNDERTAKE subject to the conditions mentioned below, to make good at any time within six months any defects in these respects. As motor cycles are easily liable to derangement by neglect or misuse, this guarantee does not apply to defects caused by wear and tear, misuse, or neglect. The term "misuse" shall include among others the following acts: The attaching of a sidecar to the motor cycle in such a manner as to cause damage or calculated to render the latter unsafe when ridden; the use of a motor cycle or a motor cycle and sidecar combined when carrying more persons or a greater weight than they were designed to bear. (The 250c.c. group of machines are not designed for sidecar work.)

CONDITIONS OF GUARANTEE

We do not guarantee the specialities of other firms, such as tyres, electrical equipment, saddles, etc., or of any component part supplied to the order of the purchaser differing from our standard specifications, whether supplied with our motor cycles or otherwise.



B.S.A. OVERSEAS DISTRIBUTORS

ABYSSINIA ... Arabian Trading Co., (P.O. Box 23), 155, Cunningham St., Addis Ababa.

ADEN ... Arabian Trading Co., Esplanade.

ALGERIA ... Fernand Seyfried, 61, Rue de Lyon, Alger.

ANGOLA ... Casa Americana Ltda., Caixa Postal 1208, Luanda.

ARGENTINA ... Ditlevsen & Cia Ltda., Av. Ingeniero. Huergo 1335, Buenos Aires.

AUSTRALIA
South Australia ... J. N. Taylor & Co., 121/5, Grenfell St., Adelaide.
Victoria ... Finlay Bros. (Pty) Ltd., 316/20, Elizabeth St., Melbourne C.I.
West Australia ... Mortlock Bros., 914, Hay Street, Perth.
N.S.W. ... Bennett & Wood (Pty) Ltd., Cor. Bathurst and Pitt Sts., Sydney.
Tasmania ... Sim King (Pty) Ltd., 63, Brisbane St., Launceston.

AUSTRIA ... A.u.R. Hinteregger, Johnstrasse 31, Vienna XV.

AZORES ... Hayes & Travell Ltd., P.O. Box 56, Ponta Delgada, St. Michael's.

BAHAMAS ... Nassau Bicycle Co., P.O. Box 191, Nassau.

BARBADOS ... Redman & Taylors Garage Ltd., P.O. Box 269, Bridgetown.

BELGIAN CONGO.
Albertville ... La Sima S.C.R.L., P.O. Box 671, Elizabethville.
Bukavu ... Capelluto Touriel & Co., P.O. Box 542.
Coquilhatville ... Solbena S.C.R.L., P.O. Box 624, Leopoldville.
Elisabethville ... La Sima, P.O. Box 671.
Leopoldville ... Solbena S.C.R.L., P.O. Box 624.
Usumbura ... Capelluto Touriel & Co., P.O. Box 501, Usumbura, Ruanda Urundi.
Stanleyville ... Nassers Trading Co. Ltd., P.O. Box 71.

BELGIUM ... Famo S.A., 571, Grande Chaussée, Berchem, Antwerp.

BERMUDA ... Holmes, Williams & Purvey, Ltd., P.O. Box 444, Pembroke.

BOLIVIA ... Balfour Williamson Merchant Shippers Limited, 7, Gracechurch St., London, E.C.3, operating through: Gibbs Williamson (Bolivia) Ltda., Casilla 957, La Paz.

BORNEO.
Br. N. Borneo ... Harrison's & Crosfield (Borneo) Ltd., Import Dept., Jesselton.
Sarawak ... The Borneo Co. Ltd., Thomson Road, Kuching.

BOUGAINVILLE ... Bennett & Wood Pty. Ltd., Corner Pitt and Bathurst Streets, Sydney, N.S.W. Australia

BRAZIL ... Mesbla S.A., Rua de Passeio 48/54, Rio de Janeiro.

BRITISH E. AFRICA.
Kenya ... Bedford, E. A. Ltd. (George Edwards), P.O. Box 1658, Nairobi.
Tanganyika ... International Motor Mart, P.O. Box 409, Dar-es-Salaam.
Uganda ... The Uganda Co. (Africa) Ltd., P.O. Box 1, Kampala.
Zanzibar ... Musa Jusabani, P.O. Box 366, Zanzibar.

BRITISH GUIANA Bookers Stores Ltd., 49/53, Water St., Georgetown.

BRITISH HONDURAS C. Melhado & Sons, Belize.

BRITISH SOMALILAND Arabian Trading Co., Berbera.

BRITISH W. AFRICA.
Gambia ... Cie. F.A.O., Bathurst.
Gold Coast ... Cie. F.A.O., P.O. Box 70, Accra.
Nigeria ... Cie. F.A.O., P.O. Box 160, Lagos.
Sierra Leone ... Cie. F.A.O., Freetown.

BRITISH W. INDIES
Antigua ... Stephen R. Mendes Ltd., Colonial House, 18, Thames St., St. John's.
Dominica ... A. C. Shillingford & Co., The Garage, Roseau.
St. Kitts ... J. W. Thurston & Co. Ltd., Fort St., Basseterre.
St. Lucia ... Peter & Co., Castries.
Montserrat ... M. S. Osborne, Trescellian House.
Nevis ... J. W. Thurston & Co. Ltd., Fort St., Basseterre, St. Kitts.
St. Vincent ... The Caribbean Trading Co., P.O. Box 27, Kingstown.

BURMA ... Levetus Limited, 194, Bishopsgate, London, E.C.2, operating through: Fairweather Richards & Co. Ltd., Rangoon.

CANADA.
British Columbia Fred Deeley Ltd., 606, E. Broadway Ave., Vancouver.
Newfoundland ... Edwin Murray Ltd., 256, Water Street, St. John's.
Nova Scotia ... British Car Sales Ltd., Cor. North Park & Cornwallis Sts., Halifax.
Ontario ... Brown's Sports & Cycle Co. Ltd., 343, Yonge St., Toronto.
Quebec ... Arlington Cycle & Sports Ltd., 1194, University St., Montreal.
Saskatchewan ... Nicholson Bros., 245, Second Ave. North, Saskatoon.

CANARY ISLANDS J. Gonzales Suarez, (Apartado No.9), Nicholas Esteveñez 4, Las Palmas.

CEYLON ... Cargills (Ceylon) Ltd., Fort, Colombo.

CHILE ... Balfour Williamson Merchant Shippers Limited, 7, Gracechurch St., London, E.C.3, operating through: Williamson Balfour & Co. S.A., Blanco 759, Valparaiso.

COOK ISLANDS ... W. H. Watson, Raratonga.

COLOMBIA ... Balfour Williamson Merchant Shippers Limited, 7, Gracechurch St., London, E.C.3, operating through: Tracey & Co. S.A., Apartado 1196, Bogota.

COSTA RICA ... Tiberio Paganella, Ciclo Sport La Casa del Ciclista, Apartado 2321, San Jose.

CUBA ... Isidro Rodriguez, P.O. Box 62, Matanzas.

CYPRUS ... B. C. Petrides & Co., P.O. Box 91, Nicosia.

CYRENAICA ... Mackenzie Metcalfe & Co., P.O. Box 81, Benghazi.

DENMARK ... B.S.A. Motors & Cycles (H. V. Hansen), Vesterbrogade 101, Copenhagen.

DOMINICAN REPUBLIC General Sales Co. C. por a., Calle Mercedes 98/100, Esq. Hostos, Ciudad Trujillo.

DUTCH GUIANA ... The New Motor Supply & Importing Co. (P.O. Box 422), Watermolen St., Paramaribo.

ECUADOR ... Balfour Williamson Merchant Shippers Limited, 7, Gracechurch St., London, E.C.3, operating through: Soc. Com. Anglo-Ecuatoriana Lda. S.A., Apartado 410, Guayaquil.

Engines

Gearbox

Clutch and Front Chaincase

Frame and Fittings

Rear Suspension

Front Fork and Fittings

Front Hub and Wheel Fittings

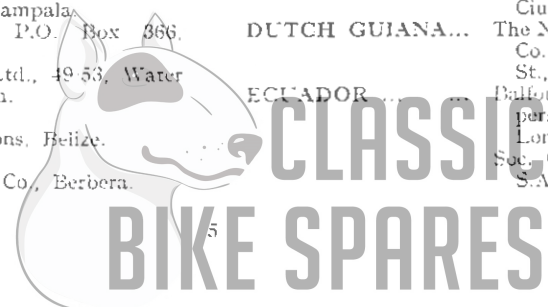
Rear Hub and Wheel Fittings

Accessories

Tools and Sundries

Legshields Electrical Equipment

Numerical Index



CLASSIC BIKE SPARES

EIRE	Huet Bros. Ltd., 7 & S, Bachelor's Walk, Dublin, C9.	INDIA	Peary Lal & Sons Ltd., Queens Way, New Delhi.
EGYPT	T.W. M. Forsyth, 7 Sharia Maspero, Cairo.		Peary Lal & Co. (E. Punjab) Ltd., Kashmere Gate, Delhi.
ERITREA	Arabian Trading Co., Asmara.		Colonelganj Cycle & Motor Agency, Cawnpore Road, Allahabad.
FALKLAND ISLANDS	McAtasney & Sedgwick, Falkland Store, Stanley.		B. K. Mittal & Co., Staff Road, Amabala.
FIJI	Morris Hedstrom Ltd., Suva.		Calcutta Motor & Cycle Co., Kanpur.
FINLAND	S. & N. Osakeyhtio, Aleksanterinkatu 21A, Helsinki.		Pearl Cycle Stores, Cuttack.
FRANCE	Movea S.A., 79, Ave. de la Grande Armée, Paris XVIIe.		Motor Cycle House, Lucknow.
FRENCH EQ. AFRICA			Bombay Cycle Stores Co. Ltd., Nagpur City.
French Guinea ...	Cie. du Niger Français, Conakry		Kedia Cycle Stores, Ranchi.
French Sudan ...	Cie. du Niger Français, Bamako.	INDONESIA	Imperial Trading Co., Jamnagar.
Senegal	Nouvelle Societé Commerciale Africaine, 31 Boulevard Pinet-Laprade, Dakar.		Mittal Bros., Meerut.
FRENCH INDO CHINA			Sohrab Bros., Hyderabad - DN.
	Movea S.A., 79, Ave. de la Grande Armée, Paris XVIIe, France.	IRAN	H. Mohammed Tavakolipoor, Ave. Boozarjomehri, Tehran.
FRENCH MOROCCO	African and Eastern (Near East) Ltd., P.O. Box 519, Casablanca.	IRAQ	
FRENCH SOMALILAND	Arabian Trading Co., Djibouti.	ISLE OF REUNION	Movea S.A., 79 Avenue de la Grande Armée, Paris XVIIe, France.
FRENCH W. AFRICA.		ISRAEL	S. Gousman & Son, 16, Hakishon St., Tel-Aviv.
Dahomey	Cie. F.A.O., Service Autos, Cotonou.	ITALIAN SOMALILAND	Arabian Trading Co., Esplanade, Aden.
French Camerouns	Cie. F.A.O., Duala.	ITALY	A. di Palma, Via Cenisio 4, Milan.
Ivory Coast ...	Cie. F.A.O., Abidjan.	JAMAICA	B.S.A. Agency Ltd., 9, King St., Kingston.
GERMANY	Aschoff & Co., G.M.B.H. Oppumer Strasse 67-69, Krefeld.	JAPAN	Balcom Trading Co. Inc., Japan Red Cross Bldg. Annexe, 5-1 Shiba Park, Minatu-Ku, Tokio.
GIBRALTAR	F. G. Bado, 16, Main St.	KUWAIT	Abdul Rahman Albisher & Zaid Alkazemi, Kuwait, Persian Gulf.
GILBERT and ELLICE ISLANDS	Morris Hedstrom Ltd., Apia, Samoa.	LIBERIA	Cie. F.A.O., Monrovia.
GREECE	D. F. Papoutsas, 56, Chalcocondillis St., Athens.	LUXEMBOURG ...	Famo S.A., 571 Grande Chaussée, Berchem, Antwerp, Belgium.
GRENADA	Glean's Garage, St. Patrick's.	MADAGASCAR ...	Movea, S.A., 79 Ave. de la Grande Armée, Paris XVIIe, France.
GUADELOUPE ...	Maison F. D'Alexis, 44, Rue Frebault, Pointe-à-Pitre.	MADEIRA	A. Gomez Loja, P.O. Box 52, Funchal.
GUATEMALA ...	H. J. Nicol & Co. S.C., 8A Avenida Sur No. 109, Guatemala City.	MALAYA	Cycle & Carriage Co. (1926) Ltd., (P.O. Box 142), Orchard Road, Singapore.
HADRAMUT	Arabian Trading Co., Esplanade, Aden.	MALTA	G. Anastasi, 27 and 35 opp. St. John's Church, Valletta.
HAITI	Valles & Bajoux, Grande Rue 185, (P.O. Box 856), Port-au-Prince.	MAURITIUS	Lising & Co., 32, Royal St., Port Louis.
HAWAII ISLANDS	Schubert's Cyclery Stores (P.O. Box 3443), Cor. Archer and South King Sts., Honolulu, Hawaii.	MEXICO	Watson Phillips & Cia. Succs. S.A., Apartado Postal No. 67, Mexico 6 D.F.
HOLLAND	Hart Nibbrig & Greeve N.V., Parkstraat 91A, The Hague.		Alejandro Dominguez, Calle 60, Num. 536, Merida, Yucatan.
HONDURAS	M. Liebers, Apartado 51, Tegucigalpa, D.C.	NETHERLANDS	Caribbean Sales (P.O. Box 43), Noordstraat No. 543, Oranjestad, Aruba.
HONG KONG ...	Levetus Limited, 194, Bishopsgate London, E.C.2, operating through: British Bicycle Co., 16, Hennessy Road.	ANTILLES (D.W.I.)	Caribbean Sales, P.O. Box 135 Willemstad, Curacao.
ICELAND	Falkinn Ltd., P.O. Box 997, Reykjavik.	NEW BRITAIN ...	Bennett & Wood Pty. Ltd., Corner Pitt and Bathurst Streets, Sydney, N.S.W. Australia.
INDIA	Levetus Limited, 194, Bishopsgate London, E.C.2, operating through: Noble Cycle & Motor Co., 225, Hornby Rd., Fort, Bombay. Bentinck Cycle Co., 1/2 Chowringhee Rd., Calcutta. Janki Dass & Sons, Jullunder.	NEW CALEDONIA	Agence Automobile, Avenues de Maréchal Foch et de la Victoire, Nouméa.
	Union Co. (Motor) Ltd., Mount Rd., Madras.	NEW GUINEA	Bennett & Wood Pty. Ltd., Cor. Eathurst and Pitt Streets, Sidney, N.S.W. Australia.
		NEW HEBRIDES ...	Bennett & Wood Pty. Ltd., Corner Pitt and Bathurst Streets, Sydney, N.S.W. Australia.
		NEW IRELAND ...	Bennett & Wood Pty. Ltd., Corner Pitt and Bathurst Streets, Sydney, N.S.W. Australia.

NEW ZEALAND ... Skeates & White Ltd., 48, Fort St., Auckland, C1.

NICARAGUA ... J. A. Estrada & Cia. Ltda., (Apartado No. 11), Avenida Roosevelt, Managua.

NORWAY ... Erling Sande, Grubbegaten 2/4 Oslo.

NYASALAND ... African Lakes Corp. Ltd., Mandala, Blaatyre.

PAKISTAN ... Levetus Limited, 194, Bishopsgate, London, E.C.2, operating through: Shahnawaz Ltd. (P.O. Box 655, Victoria Rd., Karachi.

PANAMA ... Panamusic S.A., P.O. Box 3227, Panama.

PAPUA ... Bennett & Wood Pty. Ltd., Corner Pitt and Bathurst Streets, Sydney, N.S.W. Australia.

PARAGUAY ... J. & F. Perez, 14 de Mayo Pte Franco, Asuncion.

PERU ... Balfour Williamson Merchant Shippers Limited, 7, Gracechurch St., London, E.C.3, operating through: Milne & Co. S.A., Apartado 684, Lima.

PHILLIPINES ... Campos Rueda & Sons, 421/7, Juan Islands, Manila.

PORTO RICO ... M. Castro Fernandez & Co. Ltd., (P.O. Box 1579), San Juan 7, Porto Rico.

PORTUGAL (North) Silva Neto & Ca., Anadia.

(South) Stand Vidal, Travessa de S. Mainede 23/5, Lisbon.

PORTUGUESE EAST AFRICA ... F. L. Simoes & Co., P.O. Box 13, Beira.

A. A. Azevedo, P.O. Box 482, Lourenco Marques.

Gorthandas Valabhdas & Filhos, P.O. Box 45, Mozambique.

J. Carvalho Furstenau, P.O. Box 27, Quelimane.

PORTUGUESE GUINEA Nunes & Irmao, C.P. 83, Bissau

PORTUGUESE INDIA M.S.B. Caculo, Nova Goa.

RHODESIA (NORTHERN) Central African Motors Ltd., P.O. Box 1905, Ndola, Northern Rhodesia.

Pals Motors, P.O. Box 51, Lusaka, Northern Rhodesia.

The British Cycle & Sports Co., P.O. Box 274, Livingstone.

RHODESIA (SOUTHERN) Van Rooyen Motor Cycle Works Ltd. 124, Gray St., Bulawayo, Southern Rhodesia.

Alick Stuart Ltd., P.O. Box 306, Bulawayo, Southern Rhodesia.

Kimpton's (Midlands) Ltd., P.O. Box 91, Gwelo.

Gammon Bros., P.O. Box 151, Umtali.

Johnstons Motor Supplies, 28, Pioneer St., Salisbury.

Umtali Cycle Co., P.O. Box 149, Umtali.

SALVADOR ... La Agencia Nacional Ltda., San Salvador.

SAMOA ... Morris Hedstrom Ltd., Apia.

SAUDI ARABIA ... Ebrahim Abdullah Juffali & Bros., P.O. Box 297, Jeddah.

SEYCHELLES ... Shepard & Co., P.O. Box 5, Mahe.

SOLOMON ISLANDS

Bennett & Wood Pty. Ltd., Corner Pitt and Bathurst Streets, Sydney, N.S.W. Australia.

Morris Hedstrom Ltd., Apia, Samoa.

SOUTH W. AFRICA

Terry's Motors, P.O. Box 784, Windhoek.

SPAIN

Commercial Yacobi, Jose Antonio 45, Madrid.

SPANISH GUINEA

J. Gonzalez Suarez, (Apartado No.9), Nicholas Esteveñez 4, Las Palmas, Canary Islands.

SPANISH MOROCCO

Marrache & Levy, (P.O. Box 132), Casa Riera 26/28, Tangier, Tangiers.

SUDAN

Geo. Djerdjian & Sons, P.O. Box 364, Khartoum.

SWEDEN

A-B. E. Fleron, Malmo.

SWITZERLAND

Fibag, Postfach Zurich 39, Zurich.

SYRIA and LEBANON

Van Leisen S.A., 34, Rue de la Synagogue, Geneva.

TAHITI

M. Chafik Khiami & Co., Rue el Nasr 169, Damascus, Syria.

TANGIERS

H. Jean Hamon, Papeete.

THAILAND

Marrache & Levy, (P.O. Box 132), Casa Riera 26/28, Tangier.

TONGA

Triangle Co. Ltd., (P.O. Box 70), Asdang Rd., Bangkok.

TRINIDAD

G. H. Jones, P.O. Box 34, Nukualofa, Tonga Islands.

TRIPOLITANIA

Sports & Games Ltd., (P.O. Box 271), 19 Henry St., Port of Spain.

TUNISIA

Filli Pagani Soc. Coll., Via G. Grciani 3, Filiali di Tripoli, Tripoli.

TURKEY

Etab. Jean Borg, 35, Rue de Marseille, Tunis.

UNION OF SOUTH AFRICA.

Turkish Automobile Trade Co., Beyoglu Istiklal Caddesi 239, (P.O. Box 2032), Istanbul.

CAPE PROVINCE

Robb Motors (Pty) Ltd., 102 Strand St., Cape Town.

NATAL

Barnes Garage Ltd., P.O. Box 438, East London.

ORANGE FREE STATE

The Union Cycle Works, P.O. Box 442, Kimberley.

TRANSVAAL

Sahds, P.O. Box 149, Queenstown.

UNITED STATES OF AMERICA.

Mitchley Haigh Motors (Pty.) Ltd., P.O. Box 1160, Port Elizabeth.

Engine

Gearbox

Clutch and Front Chaincase

Frame and Fittings

Rear Suspension

Front Fork and Fittings

Front Hub and Wheel Fittings

Rear Hub and Wheel Fittings

Accessories

Tools and Sundries

Legshields Electrical Equipment

Numerical Index



**CLASSIC
BIKE SPARES**

SPOKE CHART 1949 to 1953.

Model.	FRONT.						REAR.						Year.		
	Rim Size.	LEFT.			RIGHT.			Rim Size.	LEFT.			RIGHT.			
		Length.	Gauge.	Part No.	Length.	Gauge.	Part No.		Length.	Gauge.	Part No.	Length.		Gauge.	Part No.
C-10	WM1-19	8 3/4"	10	24-7012	8 3/4"	10	24-7012	WM1-19	8 3/4"	10	24-7012	6 3/4"	10	24-7014	1949
C-11	WM1-20	9 1/4"	10	24-6912	9 1/4"	10	29-5772	WM1-20	9 1/4"	10	24-6912	7 3/4"	10	65-5873	1949
C-10	WM1-19	8 3/4"	10	24-7012	8 3/4"	10	24-7012	WM1-19	8 3/4"	10	24-7012	6 1/2"	10	24-7014	1950
C-11	WM1-20	9 1/4"	10	24-6912	9 1/4"	10	29-5772	WM1-20	9 1/4"	10	24-6912	7 3/4"	10	65-5873	1950
C-10	WM1-19	8 3/4"	10	24-7012	8 3/4"	10	24-7012	WM1-19	8 3/4"	10	24-7012	6 3/4"	10	24-7014	1951
C-11	WM1-20	9 1/4"	10	24-6912	9 1/4"	10	29-5772	WM1-20	9 1/4"	10	24-6912	7 3/4"	10	65-5873	1951
C-10	WM1-19	8 3/4"	10	24-7012	8 3/4"	10	24-7012	WM1-19	8 3/4"	10	24-7012	6 1/2"	10	24-7014	1952
C-11	WM1-20	9 1/4"	10	24-6912	9 1/4"	10	29-5772	WM1-20	9 1/4"	10	24-6912	7 3/4"	10	65-5873	1952
C-10	WM1-19	8 3/4"	10	24-7012	8 3/4"	10	24-7012	WM1-19	8 3/4"	10	24-7012	6 3/4"	10	24-7014	1953
C-11	WM1-19	8 3/4"	10	24-7012	8 3/4"	10	24-7012	WM1-19	8 3/4"	10	24-7012	6 1/2"	10	24-7014	1953

CLASSIC BIKE SPARES

PISTON CHART 1949 to 1953.

Model.	Compression Ratio.	PISTON COMPLETE.		PISTON RING.		PISTON SCRAPER RING.			Year.			
		Standard	1mm oversize	Standard.	1mm oversize	Standard.	1mm oversize	1mm oversize		Type.		
C-10	5 to 1	29-2561	29-2562	29-2563	29-2620(2)	29-2621(2)	29-2622(2)	65-730	65-731	65-732	Slotted and Grooved	1949
C-11	6.5 to 1	29-2568	29-2569	29-2570	29-2620(2)	29-2621(2)	29-2622(2)	65-730	65-731	65-732	Slotted and Grooved	1949
C-10	5 to 1	29-2561	29-2562	29-2563	29-2620(2)	29-2621(2)	29-2622(2)	65-730	65-731	65-732	Slotted and Grooved	1950
C-11	6.5 to 1	29-2568	29-2569	29-2570	29-2620(2)	29-2621(2)	29-2622(2)	65-730	65-731	65-732	Slotted and Grooved	1950
C-10	5 to 1	29-2561	29-2562	29-2563	29-2620(2)	29-2621(2)	29-2622(2)	65-730	65-731	65-732	Slotted and Grooved	1951/52
C-11	6.5 to 1	29-2568	29-2569	29-2570	29-2620(2)	29-2621(2)	29-2622(2)	65-730	65-731	65-732	Slotted and Grooved	1951/52
C-10	5 to 1	29-2561	29-2562	29-2563	29-2620(2)	29-2621(2)	29-2622(2)	65-730	65-731	65-732	Slotted and Grooved	1953
C-11	6 to 1	29-2568	29-2569	29-2570	29-2620(2)	29-2621(2)	29-2622(2)	29-2623	29-2624	29-2625	Maxi-groove	1953

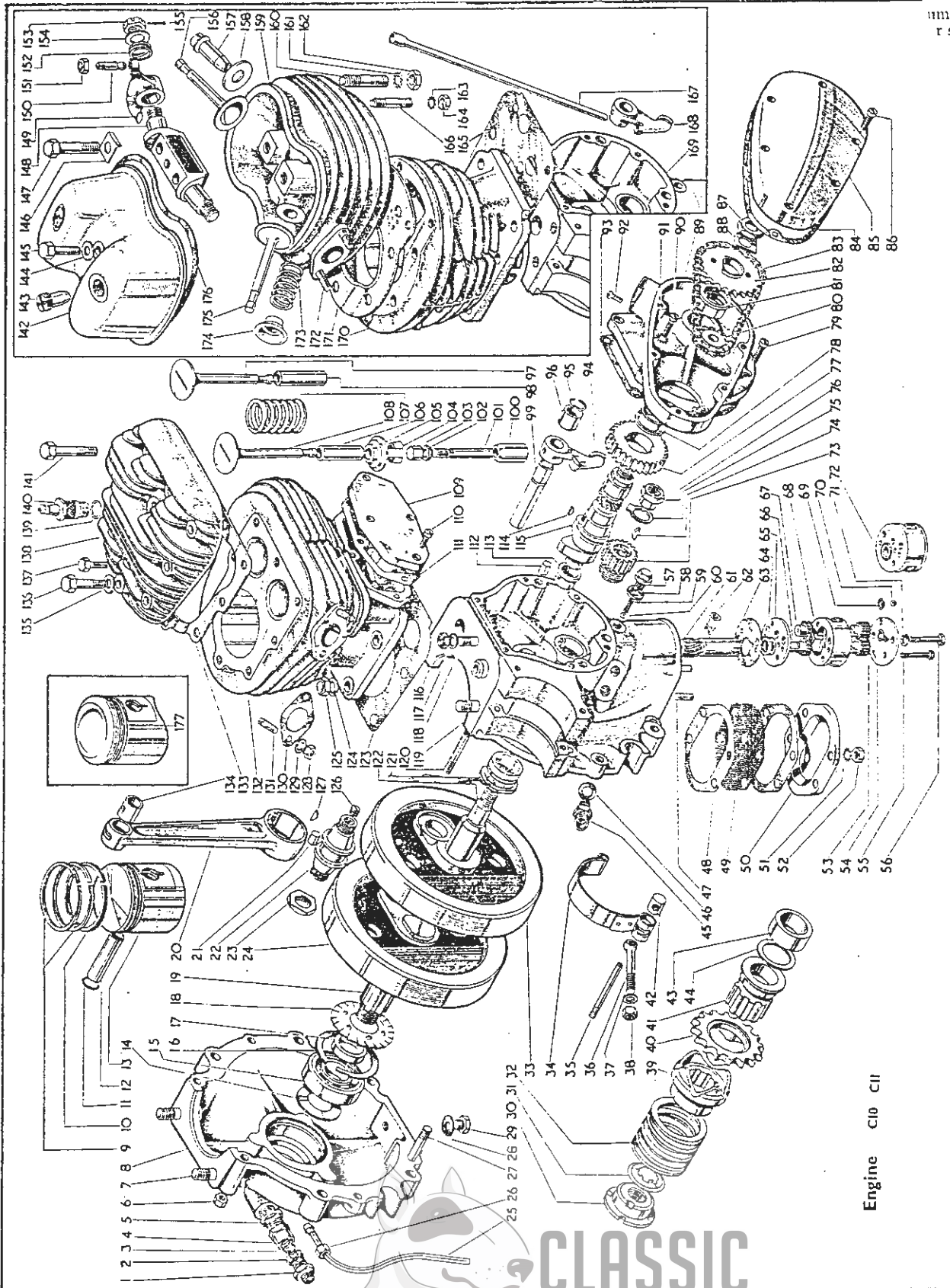
CLASSIC BIKE SPARES

- Gearbox
- Clutch and Front Chaincase
- Frame and Fittings
- Rear Suspension
- Front Fork and Fittings
- Front Hub and Wheel Fittings
- Rear Hub and Wheel Fittings
- Accessories
- Tools and Sundries
- Legshields - Electrical Equipment
- Numerical Index

Plate Ref. Number.	Models.	Part No.	Description.	Number per set.
1	C10 C11	29-2240	Crankcase air release body	1
2	C10 C11	29-2242	Crankcase air adaptor screw	1
3	C10 C11	15-82	Crankcase air release disc (fabroil)	1
4	C10 C11	29-2241	Crankcase air release adaptor	1
5	C10 C11	31-8430	Crankcase air release adaptor washer (fibre)	1
6	C10 C11	2-51	Crankcase stud nut	10
7	C10	25-496	Crankcase and barrel stud	4
	C11	25-496	Crankcase and barrel stud	6
8	C10 C11	29-2351	Crankcase complete with fixed fittings (drive side)	1
9	C10 C11	29-2620	Piston ring (Standard)	2
10	C10	65-730	Piston scraper ring	1
	C11	29-2623	Piston scraper ring (Maxigroove)	1
11	C10 C11	65-438	Gudgeon pin retaining circlip	2
12	C10 C11	65-437	Gudgeon pin	1
13	C10	29-2561	Piston complete with rings, gudgeon pin and retaining circlips	1
14	C10 C11	24-2112	Crankcase bearing oil retaining washer (drive side)	1
15	C10 C11	24-732	Crankcase bearing (drive side)	1
16	C10 C11	66-1701	Crankcase bearing spring ring	1
17	C10 C11	65-2048	Engine shaft distance collar	1
18	C10 C11	65-2055	Oil finger	1
19	C10 C11	29-2633	Engine shaft (drive side)	1
20	C10	65-443	Connecting rod complete	1
	C11	29-2276	Connecting rod complete	1
	C10	29-2195	Connecting rod with big end assembly	1
	C11	29-2275	Connecting rod with big-end assembly	1
21	C10 C11	29-778	Crankpin roller	15
22	C10 C11	29-2196	Crankpin	1
23	C10 C11	29-776	Crankpin nut	2
24	C10 C11	29-2632	Flywheel and shaft assembled (drive side)	1
25	C10 C11	29-2330	Crankcase air release pipe complete	1
26	C10 C11	2-933	Crankcase air release pipe nipple nut	1
27	C10 C11	27-279	Crankcase stud (short)	4
28	C10 C11	2-4553	Drain plug washer (fibre)	1
29	C10 C11	28-243	Drain plug	1
30	C10 C11	65-2520	Cush drive bearing nut	1
31	C10 C11	65-2521	Cush drive bearing nut locking washer	1
32	C10 C11	15-46	Cush drive spring	1
33	C10 C11	65-554	Flywheel and shaft assembled (gear side)	1
34	C10 C11	29-2201	Dynamo strap	1
35	C10 C11	29-2177	Dynamo strap stud	2
36	C10 C11	29-2203	Dynamo strap eye bolt	1
37	C10 C11	2-923	Dynamo strap clip washer (plain)	1
38	C10 C11	2-49	Dynamo strap eye bolt nut	1
39	C10 C11	15-1555	Cush drive sleeve	1
40	C10 C11	15-1568	Engine sprocket (16T)	1
41	C10 C11	65-2523	Cush drive bearing	1
42	C10 C11	65-2352	Dynamo strap eye plug (plain)	1
43	C10 C11	29-2634	Cush drive bearing distance collar	1
44	C10 C11	24-389	Cush drive bearing alignment washer (.010")	—
	C10 C11	66-1705	Cush drive bearing alignment washer (.064")	—
45	C10 C11	65-2252	Crankcase oil pipe adaptor	2
46	C10 C11	66-1683	Crankcase oil pipe adaptor washer (fibre)	2
47	C10 C11	31-222	Crankcase scavenge cover stud	4
48	C10 C11	65-2612	Crankcase scavenge cover washer	2
49	C10 C11	65-2623	Oil pump filter	1
50	C10 C11	65-2611	Crankcase scavenge cover	1
51	C10 C11	2-1462	Crankcase scavenge cover stud washer (spring)	4
52	C10 C11	2-51	Crankcase scavenge cover stud nut	4
53	C10 C11	65-2599	Oil pump scavenge gear	2
54	C10 C11	65-2625	Oil pump bottom plate complete	1
55	C10 C11	15-848	Oil pump bolt	2
56	C10 C11	65-2604	Oil pump fixing bolt	2
57	C10 C11	65-2188	Crankcase oil valve retaining screw	1
58	C10 C11	66-1683	Crankcase oil valve retaining screw washer (fibre)	1
59	C10 C11	66-1682	Crankcase oil valve spring	1
60	C10 C11	3/16" dia.	Crankcase oil valve ball	1
61	C10 C11	65-2602	Oil pump driving spindle	1
62	C10 C11	65-2603	Oil pump spindle retaining pin	1
63	C10 C11	65-2618	Oil pump and crankcase joint washer (fibre)	1
64	C10 C11	65-2606	Oil pump top plate washer	1
65	C10 C11	65-2598	Oil pump top plate	1
66	C10 C11	65-2601	Oil pump feed gear (driver)	1
67	C10 C11	65-2600	Oil pump feed gear (driven)	1

ENGINE
C10 C11

number
r set.



Gearbox

Clutch and
Front
Chaincase

Frame and
Fittings

Rear
Suspension

Front Fork
and
Fittings

Front Hub
and Wheel
Fittings

Rear Hub
and Wheel
Fittings

Accessories

Tools and
Sundries

Legshields
Electrical
Equipment

Numerical
Index

Engine C10 C11

CLASSIC
BIKE SPARES

ENGINE

C10 C11

Plate Ref. Number.	Models.	Part No.	Description.	Number per set.
68	C10 C11	65-2596	Oil pump body	1
69	C10 C11	65-2622	Oil pump ball retaining circlip	1
70	C10 C11	7/32" dia.	Oil pump ball...	1
71	C10 C11	24-978	Oil pump fixing bolt washer	2
72	C10 C11	65-2619	Oil pump complete	1
73	C10 C11	29-2182	Engine shaft timing pinion	1
74	C10 C11	15-40	Engine shaft timing pinion key	1
75	C10 C11	15-1410	Engine shaft timing pinion locking washer	1
76	C10 C11	65-691	Engine shaft timing pinion nut	1
77	C10 C11	29-2162	Camshaft pinion	1
78	C10 C11	29-2135	Camshaft timing cover bush (inner)	1
79	C10 C11	65-2158	Timing cover inner screw (short)	4
80	C10 C11	29-2198	Dynamo driving sprocket	1
81	C10 C11	29-2134	Camshaft timing cover bush (outer)	1
82	C10 C11	29-2187	Camshaft dynamo sprocket	1
83	C10 C11	29-2199	Dynamo driving chain	1
84	C10 C11	29-2132	Timing cover outer washer	1
85	C10 C11	29-2128	Timing cover (outer)...	1
86	C10 C11	65-2158	Timing cover outer screw	6
87	C10 C11	24-4255	Camshaft nut	1
88	C10 C11	29-2172	Camshaft nut locking washer	1
89	C10 C11	29-2129	Timing cover complete (inner)	1
90	C10 C11	29-2136	Timing cover inner screw (long)	2
91	C10 C11	29-541	Timing cover inner screw washer (shakeproof)	2
92	C10 C11	66-1933	Distributor clamp fixing screw	1
93	C10 C11	29-2133	Timing cover inner washer	1
94	C10	29-2148	Inlet and exhaust cam rocker	2
95	C10 C11	29-2170	Cam rocker spindle circlip	1
96	C10 C11	29-2171	Cam rocker spindle distance piece	1
97	C10	29-2121	Exhaust valve...	1
98	C10	29-2110	Exhaust valve guide	1
99	C10 C11	29-2173	Cam rocker spindle	1
100	C10	65-42	Inlet and exhaust tappet guide	2
101	C10	29-2180	Inlet and exhaust tappet	2
102	C10	24-6040	Tappet head adjuster locknut	2
103	C10	29-252	Tappet head adjuster	2
104	C10 C11	29-410	Valve spring split collar	4 halves
105	C10	66-221	Valve spring cup	2
106	C10	29-2109	Inlet valve guide	1
107	C10	31-106	Valve spring	2
108	C11	31-106	Valve spring (outer)	2
109	C10	29-2120	Inlet valve	1
110	C10	29-2554	Tappet recess cover	1
111	C10	66-1933	Tappet recess cover screw	4
112	C10	29-2159	Tappet recess cover washer	1
113	C10 C11	27-1589	Timing cover dowel	2
114	C10 C11	29-2141	Camshaft bush (crankcase)	1
115	C10	2-36	Camshaft pinion key	1
116	C10	29-2164	Camshaft	1
117	C11	29-2286	Camshaft	1
118	C10	15-6524	Crankcase and barrel stud nut	1
119	C10	24-8784	Crankcase and barrel stud washer (spring)	1
120	C10	29-565	Crankcase and barrel stud (front)	1
121	C10 C11	29-2326	Crankcase complete with fixed fittings (gear side)	1
122	C10 C11	29-2332	Crankcase stud (top)...	2
123	C10 C11	65-2052	Engine shaft bush (gear side)	1
124	C10	65-617	Engine shaft (gear side)	1
125	C10	29-2111	Cylinder base washer	1
126	C10	2-2903	Crankcase and barrel stud washer (spring)	4
127	C11	2-2903	Crankcase and barrel stud washer (spring)	6
128	C10	2-46	Crankcase and barrel stud nut	4
129	C11	2-46	Crankcase and barrel stud nut	6
130	C10 C11	65-479	Crankpin grub screw	1
131	C10 C11	2-36	Crankpin key	1
132	C10 C11	2-49	Carburettor flange stud nut...	2
133	C10 C11	24-8784	Carburettor flange stud washer (spring)	2
134	C10 C11	27-1366	Carburettor flange joint washer (Hallite)	1
135	C10	15-1367	Carburettor flange stud	2
136	C10	29-2544	Cylinder barrel complete with fixed fittings	1
137	C10	29-2336	Cylinder head gasket	1
138	C10 C11	65-441	Gudgeon pin bush	1

Plate 1—continued.

ENGINE
C10 C11

Plate Ref. Number.	Models.	Part No.	Description.	Number per set.
135	C10	2-923	Cylinder head bolt washer	8
136	C10	27-6260	Cylinder head bolt (short)	3
137	C10	24-8328	Cylinder head timing bolt	1
138	C10	29-2335	Cylinder head	1
139	C10 C11	66-102	Sparkling plug washer	1
140	C10	65-113	Sparkling plug	1
	C11	65-114	Sparkling plug	1
141	C10	27-5156	Cylinder head bolt (long)	5
142	C11	29-2260	Rocker valve cover (fitted up to engine No. ZC11-29669)	1
	C11	29-2260	Rocker valve cover (less breather holes) (fitted on and after engine No. ZC11-29670).	1
143	C11	29-2280	Rocker valve cover breather (fitted up to engine No. ZC11-29669)	2
144	C11	2-4553	Rocker valve cover bolt washer (fibre)	1
145	C11	65-109	Rocker valve cover bolt	1
146	C11	29-2269	Valve rocker trunnion bolt locking washer	2
147	C11	29-2267	Valve rocker trunnion bolt	2
148	C11	29-2266	Valve rocker trunnion	1
149	C11	29-2268	Inlet and exhaust valve rocker	2
150	C11	29-2271	Rocker adjusting screw	2
151	C11	24-563	Rocker adjusting screw nut	2
152	C11	29-2270	Valve rocker fulcrum pin spring	2
153	C11	28-118	Rocker trunnion nut	2
154	C11	24-5914	Rocker trunnion washer (plain)	2
155	C11	35-698	Rocker trunnion nut split pin	2
156	C11	65-208	Exhaust valve...	1
157	C11	65-37	Valve guide	2
158	C11	15-1215	Valve spring cup	2
159	C11	29-2256	Cylinder head	1
160	C11	29-2259	Cylinder head stud	5
161	C11	36-399	Cylinder head stud washer (shakeproof)	5
162	C11	1-1796	Cylinder head stud nut	5
163	C11	36-382	Cylinder head stud washer (shakeproof)	2
164	C11	2-49	Cylinder head stud nut	2
165	C11	29-2262	Cylinder base washer	1
166	C11	29-2346	Cylinder head stud (short)	2
167	C11	29-224	Valve push rod	2
168	C11	29-2285	Inlet and exhaust cam rocker	2
169	C11	29-2319	Crankcase complete with fixed fittings (gear side)	1
170	C11	29-2345	Cylinder barrel	1
171	C11	29-2265	Cylinder head gasket...	1
172	C11	15-1367	Carburettor flange stud	2
173	C11	31-108	Valve spring (inner)	2
174	C11	31-111	Valve spring collar	2
175	C11	29-2124	Inlet valve	1
176	C11	29-2261	Rocker valve cover joint washer (Hallite)	1
177	C11	29-2568	Piston complete with rings, gudgeon pin and retaining circlips	1

Gearbox
Clutch and Front Chaincase
Frame and Fittings
Rear Suspension
Front Fork and Fittings
Front Hub and Wheel Fittings
Rear Hub and Wheel Fittings
Accessories
Tools and Sundries
Legshields Electrical Equipment
Numerical Index

Plate 2

GEARBOX
C10 C11 (3-speed)

Plate Ref. Number.	Models.	Part No.	Description.	Number per set.
1	C10 C11	27-4057	Gearbox sprocket locknut	1
2	C10 C11	27-4063	Gearbox sprocket locking washer	1
3	C10 C11	29-3432	Gearbox sprocket (17T)	1
4	C10 C11	29-3254	Gearbox shell complete with fixed fittings	1
	C10 C11	29-3255	Gearbox shell only	1
5	C10 C11	65-2603	Gear control shaft retaining pin	1
6	C10 C11	66-3250	Gear control shaft lockwasher	1
7	C10 C11	29-3243	Gear control shaft retaining plug pin	1
8	C10 C11	29-3286	Gear operating fork (layshaft) (low gear)	1
9	C10 C11	29-3284	Gear operating fork (mainshaft) (high gear)	1
10	C10 C11	29-3282	Gear control shaft	1

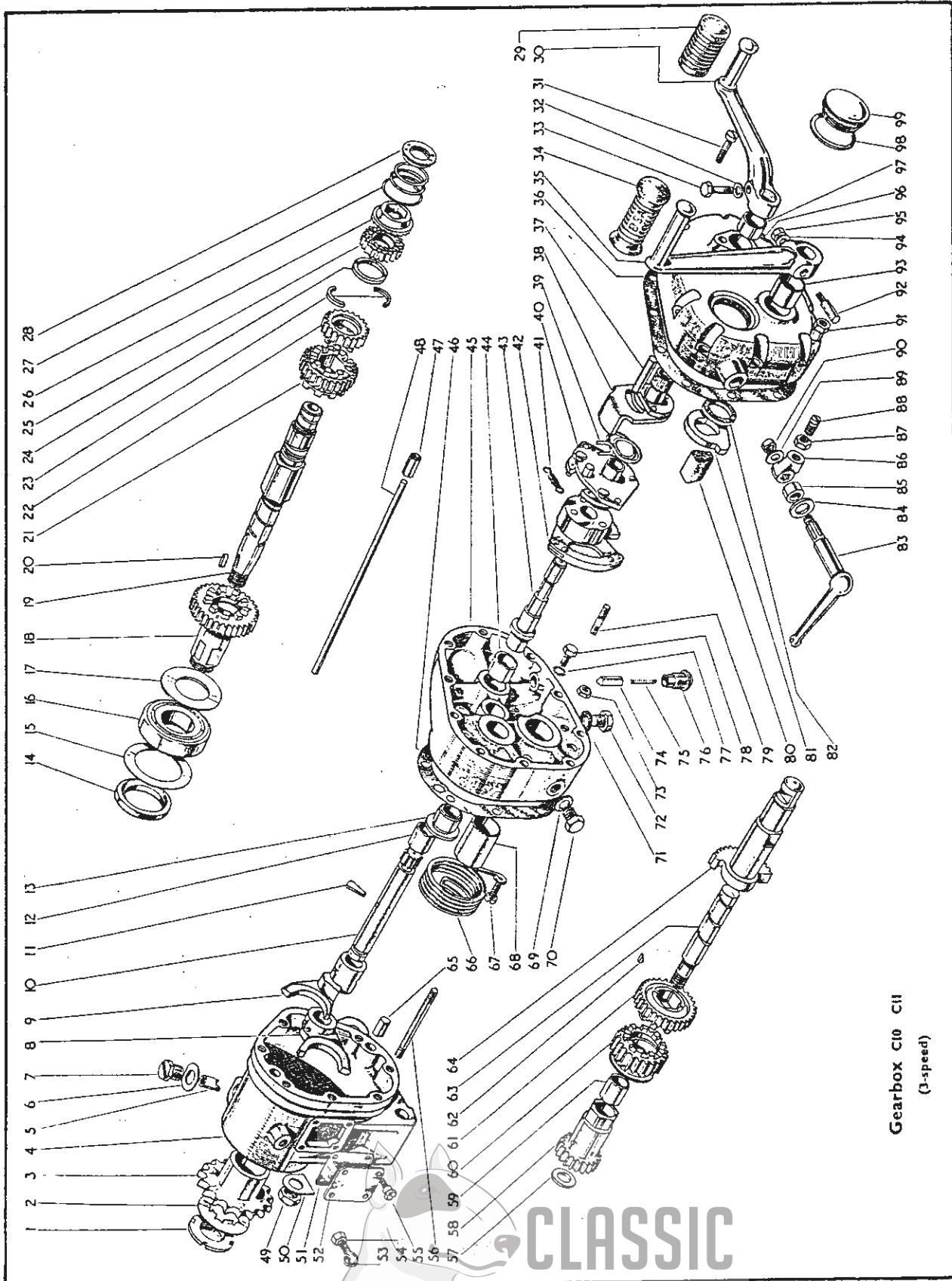
GEARBOX

C10 C11 (3-speed)

Plate Ref. Number.	Models.	Part No.	Description.	Number per set.
11	C10 C11	66-3291	Gear control shaft peg	2
12	C10 C11	29-3266	Gear control shaft bush (inner cover)	1
13	C10 C11	15-268	Gearbox mainshaft bush (inner cover)	1
14	C10 C11	29-3272	Gearbox mainshaft oil seal ring	1
15	C10 C11	29-3274	Gearbox mainshaft oil seal shim	1
16	C10 C11	27-4027	Gearbox mainshaft ballrace	1
17	C10 C11	27-4033	Gearbox oil retaining washer	1
18	C10 C11	29-3825	Gearbox pinion sleeve	1
19	C10 C11	29-3431	Gearbox mainshaft	1
20	C10 C11	2-433	Gearbox mainshaft key	1
21	C10 C11	27-4424	Gearbox mainshaft sliding pinion (27T)	1
22	C10 C11	27-4429	Gearbox mainshaft pinion (22T)	1
23	C10 C11	27-4093	Gearbox mainshaft split washer	1
24	C10 C11	27-4099	Gearbox mainshaft split washer retaining ring	1
25	C10 C11	27-4106	Gearbox kickstarter ratchet pinion	1
26	C10 C11	27-4112	Gearbox kickstarter ratchet...	1
27	C10 C11	27-4447	Gearbox kickstarter ratchet spring	1
28	C10 C11	15-267	Gearbox kickstarter ratchet spring nut	1
29	C10 C11	29-3250	Gearbox operating lever spindle rubber	1
30	C10 C11	29-3412	Gear control operating lever	1
31	C10 C11	65-2162	Gearbox cover screw	3
32	C10 C11	2-525	Gear operating lever clamp bolt washer	1
33	C10 C11	65-3361	Gear operating pedal clamp bolt	1
34	C10 C11	65-3397	Kickstarter crank rubber	1
35	C10 C11	29-3244	Kickstarter crank	1
36	C10 C11	29-3312	Gearbox outer cover washer	1
37	C10 C11	29-3269	Footchange return spring stop	1
38	C10 C11	66-3415	Footchange operating plate and sleeve	1
39	C10 C11	29-3302	Footchange return spring	1
40	C10 C11	29-3404	Pawl carrier plate	1
41	C10 C11	29-3303	Pawl spring	1
42	C10 C11	29-3298	Gear control quadrant	1
43	C10 C11	29-3248	Gear operating spindle	1
44	C10 C11	29-3265	Gear operating spindle bush	1
45	C10 C11	29-3258	Gearbox inner cover complete with fixed fittings	1
46	C10 C11	29-3313	Gearbox inner cover washer	1
47	C10 C11	29-3260	Clutch push rod bush (mainshaft)...	1
48	C10 C11	29-3795	Clutch push rod	1
49	C10 C11	2-1925	Layshaft nut	1
50	C10 C11	29-3289	Layshaft nut locking washer	1
51	C10 C11	29-3297	Gearbox inspection cover washer	1
52	C10 C11	29-3296	Gearbox inspection cover	1
53	C10 C11	27-1163	Clutch cable stop	1
54	C10 C11	2-443	Clutch cable stop locknut	1
55	C10 C11	27-4258	Gearbox inspection cover screw	4
56	C10 C11	29-3304	Gearbox cover stud (long)	5
57	C10 C11	27-4276	Layshaft thrust washer	1
58	C10 C11	29-3837	Layshaft pinion sleeve	1
59	C10 C11	27-4280	Layshaft sleeve bush...	2
60	C10 C11	27-4436	Layshaft sliding pinion	1
61	C10 C11	27-4146	Layshaft pinion (30T)	1
62	C10 C11	27-347	Layshaft key	1
63	C10 C11	29-3288	Layshaft	1
64	C10 C11	29-3280	Kickstarter quadrant...	1
65	C10 C11	27-1589	Gearbox inner cover dowel	2
66	C10 C11	29-3307	Kickstarter crank return spring	1
67	C10 C11	24-4214	Kickstarter spring anchor pin	1
68	C10 C11	29-3267	Kickstarter quadrant bush (inner cover)	1
69	C10 C11	2-4553	Gearbox oil level plug washer (fibre)	1
70	C10 C11	28-243	Gearbox oil level plug	1
71	C10 C11	2-4553	Gearbox drain plug washer (fibre)	1
72	C10 C11	28-243	Gearbox drain plug	1
73	C10 C11	2-53	Kickstarter spring anchor pin nut...	1
74	C10 C11	15-1035	Gear control plunger	2
75	C10 C11	24-68	Gear control plunger spring	2
76	C10 C11	15-4040	Gear control plunger spring cup plug	1
77	C10 C11	29-541	Gearbox inner cover bolt washer (shakeproof)	3
78	C10 C11	21-2899	Gearbox inner cover bolt	3
79	C10 C11	65-2152	Gearbox inner cover stud	2
80	C10 C11	29-3308	Kickstarter return stop rubber	1
81	C10 C11	65-3296	Kickstarter return stop plate	2

GEARBOX

C10 C11 (3-speed)



Gearbox C10 C11
(3-speed)

CLASSIC
BIKE SPARES

- Clutch and Front Chaincase
- Frame and Fittings
- Rear Suspension
- Front Fork and Fittings
- Front Hub and Wheel Fittings
- Rear Hub and Wheel Fittings
- Accessories
- Tools and Sundries
- Legshields Electrical Equipment
- Numerical Index

Plate 2—continued.

GEARBOX

C10 C11 (3-speed)

Plate Ref. Number.	Models.	Part No.	Description.	Number per set.
82	C10 C11	65-3354	Kickstarter quadrant washer (cork)	1
83	C10 C11	29-3245	Clutch control lever	1
84	C10 C11	66-3245	Clutch control lever washer	1
85	C10 C11	66-3256	Clutch operating spindle distance piece	1
86	C10 C11	66-3421	Clutch operating spindle lug complete with ball	1
87	C10 C11	2-2395	Clutch push rod thrust pin nut	1
88	C10 C11	29-3794	Clutch push rod thrust pin	1
89	C10 C11	31-424	Clutch operating spindle nut lockwasher	1
90	C10 C11	15-6524	Clutch operating spindle nut	1
91	C10 C11	29-3242	Gearbox cover stud nut	7
92	C10 C11	2-2579	Kickstarter crank cotter pin	1
93	C10 C11	29-3268	Kickstarter quadrant bush (outer cover)	1
94	C10 C11	15-5155	Kickstarter crank cotter pin washer	1
95	C10 C11	2-2578	Kickstarter crank cotter pin nut	1
96	C10 C11	29-3240	Gearbox outer cover with fixed fittings	1
97	C10 C11	29-3265	Gear operating spindle bush	1
98	C10 C11	65-3365	Gearbox outer cover plug washer (leather)	1
99	C10 C11	65-3364	Gearbox outer cover plug	1

Plate 3

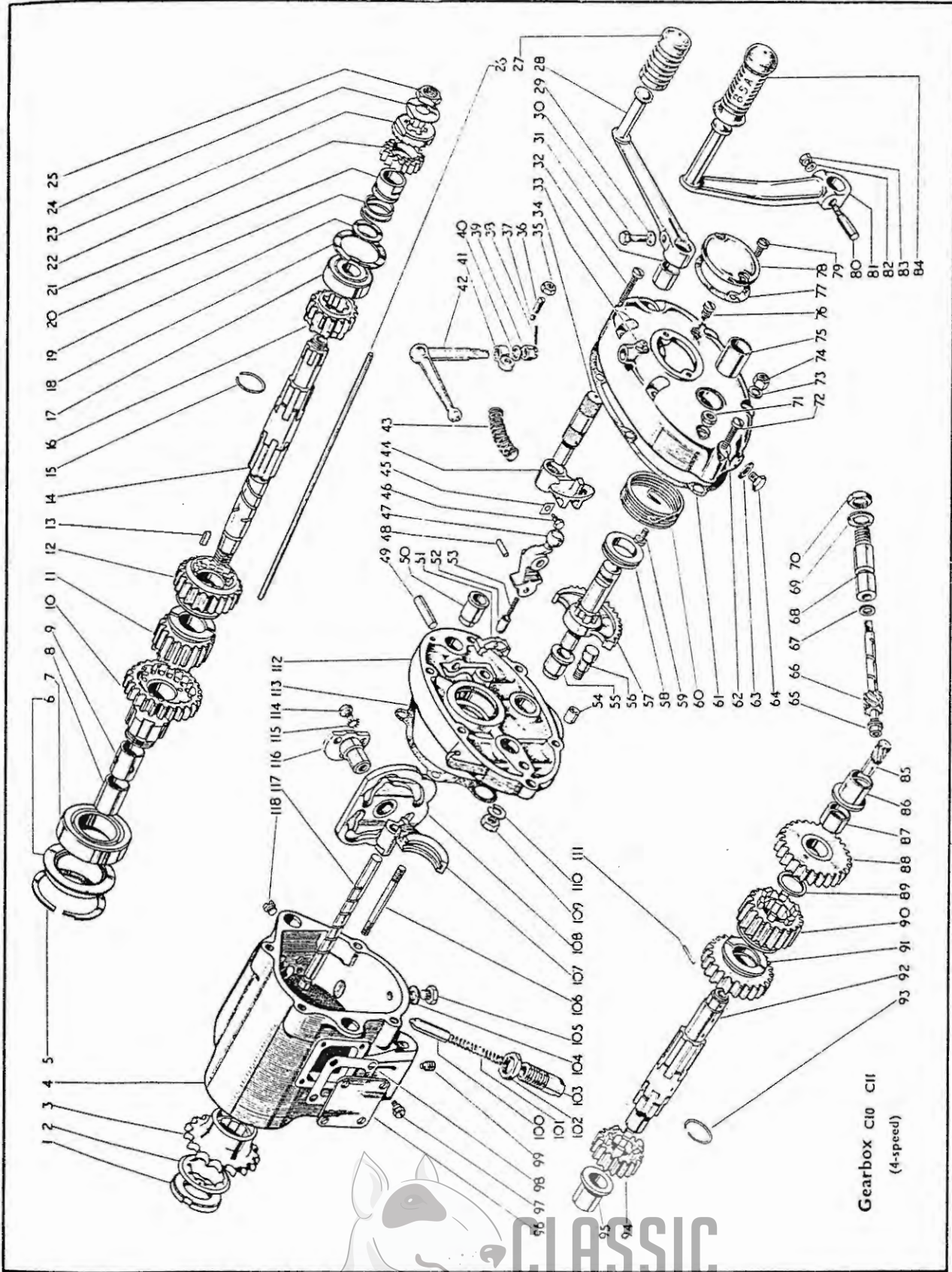
GEARBOX

C10 C11 (4-speed)

Plate Ref. Number.	Models.	Part No.	Description.	Number per set.
1	C10 C11	67-3053	Gearbox sprocket nut	1
2	C10 C11	24-4263	Gearbox sprocket locking washer	1
3	C10 C11	29-3450	Gearbox sprocket (17T)	1
4	C10 C11	29-3444	Gearbox casing complete with fixed fittings	1
5	C10 C11	67-3026	Ball bearing spring ring	1
6	C10 C11	67-3067	Gearbox sprocket oil seal	1
7	C10 C11	24-4065	Constant mesh gear ball bearing	1
8	C10 C11	67-3073	Constant mesh gear bush	1
9	C10 C11	67-3080	Constant mesh gear bush (drilled)	1
10	C10 C11	67-3192	Constant mesh gear with bush (26T)	1
11	C10 C11	67-3201	Mainshaft sliding gear (20T)	1
12	C10 C11	67-3202	Mainshaft sliding gear (24T)	1
13	C10 C11	2-433	Mainshaft key	1
14	C10 C11	29-3452	Gearbox mainshaft	1
15	C10 C11	67-3101	Mainshaft and Layshaft gear locating ring	1
16	C10 C11	67-3191	Gearbox mainshaft gear (16T)	1
17	C10 C11	24-4217	Mainshaft bearing	1
18	C10 C11	67-3028	Mainshaft bearing spring ring	1
19	C10 C11	67-3161	Kickstarter ratchet pinion sleeve washer	1
20	C10 C11	67-3162	Kickstarter ratchet spring	1
21	C10 C11	67-3169	Kickstarter ratchet pinion bush	1
22	C10 C11	67-3168	Kickstarter ratchet pinion	1
23	C10 C11	67-3167	Kickstarter ratchet	1
24	C10 C11	67-3164	Kickstarter ratchet and mainshaft lockwasher	1
25	C10 C11	67-3163	Kickstarter ratchet and mainshaft nut	1
26	C10 C11	29-3324	Clutch push rod	1
27	C10 C11	29-3250	Foot operating lever rubber	1
28	C10 C11	65-3380	Gear change operating lever	1
29	C10 C11	2-525	Foot operating lever screw washer (plain)	1
30	C10 C11	65-3361	Selector lever foot operating screw	1
31	C10 C11	67-3140	Gearchange lever spindle bush	1
32	C10 C11	67-1706	Outer cover fixing screw (long)	2
33	C10 C11	28-2080	Outer cover grease nipple	1
34	C10 C11	67-3147	Selector lever spindle	1
35	C10 C11	3-720	Clutch push rod adjusting screw nut	1

GEARBOX_r

C10 C11 (4-speed)



Clutch and Front Chaincase

Frame and Fittings

Rear Suspension

Front Fork and Fittings

Front Hub and Wheel Fittings

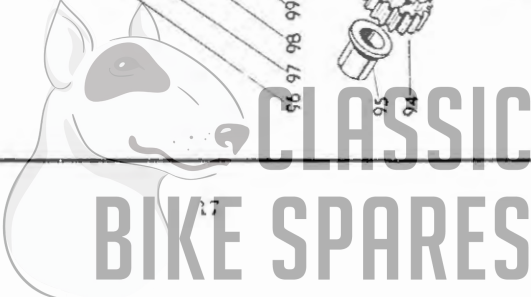
Rear Hub and Wheel Fittings

Accessories

Tools and Sundries

Legshields Electrical Equipment

Numerical Index



GEARBOX

C10 C11 (4-speed)

Plate Ref. Number.	Models.	Part No.	Description.	Number per set.
36	C10 C11	65-3403	Clutch push rod adjusting screw	1
37	C10 C11	1/4 dia.	Clutch push rod adjusting screw ball	1
38	C10 C11	35-702	Clutch push rod lever nut split pin	1
39	C10 C11	15-1485	Clutch push rod lever nut	1
40	C10 C11	2-525	Clutch push rod lever washer (plain)	1
41	C10 C11	65-3360	Clutch push rod lever	1
42	C10 C11	67-3180	Clutch operating lever	1
43	C10 C11	67-3146	Selector lever return spring	2
44	C10 C11	67-3143	Selector lever	1
45	C10 C11	67-3145	Selector lever screw lockwasher	1
46	C10 C11	67-3144	Selector lever screw	1
47	C10 C11	67-3130	Gearchange selector arm complete	1
48	C10 C11	67-3131	Gearchange selector arm	1
49	C10 C11	67-3133	Gearchange selector arm claw pivot	1
50	C10 C11	67-3136	Gearchange selector arm pivot pin	1
51	C10 C11	67-3170	Footchange lever spindle bush	1
52	C10 C11	67-3132	Gearchange selector arm claw	1
53	C10 C11	67-3134	Gearchange selector arm plunger	1
54	C10 C11	67-3135	Gearchange selector arm plunger spring	1
55	C10 C11	66-3074	Dowel	2
56	C10 C11	67-3151	Kickstarter spindle bush	1
57	C10 C11	67-3152	Kickstarter quadrant stop	1
58	C10 C11	67-3178	Kickstarter crank spindle assembly	1
59	C10 C11	67-3173	Kickstarter spindle sleeve	1
60	C10 C11	2-3718	Kickstarter spring screw	1
61	C10 C11	67-3174	Kickstarter spring	1
62	C10 C11	67-3032	Gearbox outer cover joint washer	1
63	C10 C11	67-3019	Gearbox outer cover with fixed fittings	1
64	C10 C11	2-4553	Oil level plug washer (fibre)	1
65	C10 C11	28-243	Oil level plug	1
66	C10 C11	65-3377	Speedometer gear bush	1
67	C10 C11	67-3175	Speedometer driven gear	1
68	C10 C11	65-3375	Speedometer driven gear thrust washer	1
69	C10 C11	65-3390	Speedometer driven gear bush	1
70	C10 C11	65-3392	Speedometer driven gear bush washer (fibre)	1
71	C10 C11	65-3391	Speedometer driven gear bush nut	1
72	C10 C11	27-4401	Kickstarter spring screw locknut	1
73	C10 C11	67-1705	Outer cover fixing screw (short)	1
74	C10 C11	2-923	Outer cover fixing nut washer (plain)	4
75	C10 C11	67-3034	Outer cover fixing nut	4
76	C10 C11	67-3153	Kickstarter lever spindle bush	1
77	C10 C11	67-3176	Speedometer driven gear retaining pin	1
78	C10 C11	67-3033	Inspection cover joint washer (fibre)	1
79	C10 C11	67-3024	Inspection cover	1
80	C10 C11	24-7178	Inspection cover fixing screw	2
81	C10 C11	2-2579	Kickstarter crank cotter	1
82	C10 C11	29-3455	Kickstarter crank	1
83	C10 C11	15-5155	Kickstarter crank cotter washer (plain)	1
84	C10 C11	2-2578	Kickstarter crank cotter nut	1
85	C10 C11	65-3397	Kickstarter crank rubber	1
86	C10 C11	67-3088	Speedometer driving gear (6T)	1
87	C10 C11	67-3099	Layshaft bush	1
88	C10 C11	67-3093	Layshaft gear bush	1
89	C10 C11	67-3199	Layshaft gear complete with bush (27T)	1
90	C10 C11	67-3203	Layshaft thrust washer	1
91	C10 C11	67-3198	Layshaft sliding gear (19T)	1
92	C10 C11	67-3197	Layshaft sliding gear (23T)	1
93	C10 C11	67-3195	Layshaft	1
94	C10 C11	67-3101	Mainshaft and layshaft gear locating ring	1
95	C10 C11	67-3196	Layshaft gear (17T)	1
96	C10 C11	65-3337	Layshaft bush	1
97	C10 C11	29-3448	Gearbox inspection cover	1
98	C10 C11	27-4258	Gearbox inspection cover screw	4
99	C10 C11	29-3449	Gearbox inspection cover washer	1
100	C10 C11	67-3117	Gear shifter fork shaft grub screw	1
101	C10 C11	67-3119	Gear control cam plate plunger	1
102	C10 C11	67-3121	Gear control cam plate plunger spring	1
103	C10 C11	67-3122	Gear control cam plate plunger housing nut	1
104	C10 C11	67-3120	Gear control cam plate plunger housing	1
105	C10 C11	2-4553	Drain plug washer (fibre)	1
	C10 C11	28-243	Drain plug	1

GEARBOX
C10 C11 (4-speed)

Plate Ref. Number.	Model.	Part No.	Description.	Number per set.
106	C10 C11	67-3023	Outer cover stud	4
107	C10 C11	67-3204	Gear shifter fork	2
108	C10 C11	67-3113	Gear control cam plate	1
109	C10 C11	2-49	Kickstarter quadrant stop nut	1
110	C10 C11	24-8784	Kickstarter quadrant stop washer (spring)	1
111	C10 C11	67-3128	Layshaft sycedo driving gear ring	1
112	C10 C11	67-3017	Gearbox inner cover complete with fixed fittings	1
113	C10 C11	67-3031	Gearbox inner cover joint washer	1
114	C10 C11	21-5842	Selector cam plate bearing screw	3
115	C10 C11	29-541	Selector cam plate bearing screw washer (shakeproof)	3
116	C10 C11	29-3451	Selector cam plate bearing	1
117	C10 C11	67-3116	Gear shifter fork shaft	1
118	C10 C11	67-3027	Gearbox inspection hole plug	2

Plate 4

CLUTCH and FRONT CHAINCASE
C10 C11

Plate Ref. Number.	Models.	Part No.	Description.	Number per set.
1	C10 C11	29-3319	Chaincase fixing screw washer (shakeproof)	16
2	C10 C11	1-4606	Chaincase fixing screw	16
3	C10 C11	2-930	Oil level plug washer (fit-re)	1
4	C10 C11	66-7517	Oil level plug	1
5	C10 C11	65-3365	Front chaincase inspection cap washer (leather)	1
6	C10 C11	65-3364	Front chaincase inspection cap	1
7	C10 C11	2-2395	Clutch spring retaining stud nut	12
8	C10 C11	65-3831	Clutch spring	6
9	C10 C11	65-3830	Clutch spring cup	6
10	C10 C11	65-3828	Clutch actuating cap complete	1
11	C10 C11	65-3823	Mainshaft nut	1
12	C10 C11	65-3822	Mainshaft nut locking washer	1
13	C10 C11	65-3811	Clutch chainwheel inserts (cork)	24
14	C10 C11	65-3914	Clutch driving plate centre complete with studs	1
15	C10 C11	65-3825	Clutch driving plate with cork inserts	1
16	C10 C11	29-3832	Clutch driven plate	1
17	C10 C11	65-3827	Clutch plate insert (cork)	24
18	C10 C11	24-8931	Transmission chain (front)	1
19	C10 C11	65-3872	Clutch plate	1
20	C10 C11	29-3833	Clutch sleeve	1
21	C10 C11	29-8087	Chaincase back with sliding oil seal	1
22	C10 C11	66-7575	Chaincase and crankcase joint washer	1
23	C10 C11	24-8784	Chaincase securing bolt washer (spring)	3
24	C10 C11	65-7550	Chaincase securing bolt	3
25	C10 C11	15-645	Oil drain plug	1
26	C10 C11	66-7518	Oil drain plug washer	1
27	C10 C11	65-3919	Clutch chainwheel complete...	1
28	C10 C11	65-3912	Chainwheel ballrace ring	1
29	C10 C11	65-3910	Clutch ball retaining ring	2
30	C10 C11	65-3911	Clutch ballrace inner ring	1
31	C10 C11	66-7514	Front chaincase joint washer (cork)	1
32	C10 C11	29-8085	Chaincase front with fixed fittings	1

Clutch and Front Chaincase

Frame and Fittings

Rear Suspension

Front Fork and Fittings

Front Hub and Wheel Fittings

Rear Hub and Wheel Fittings

Accessories

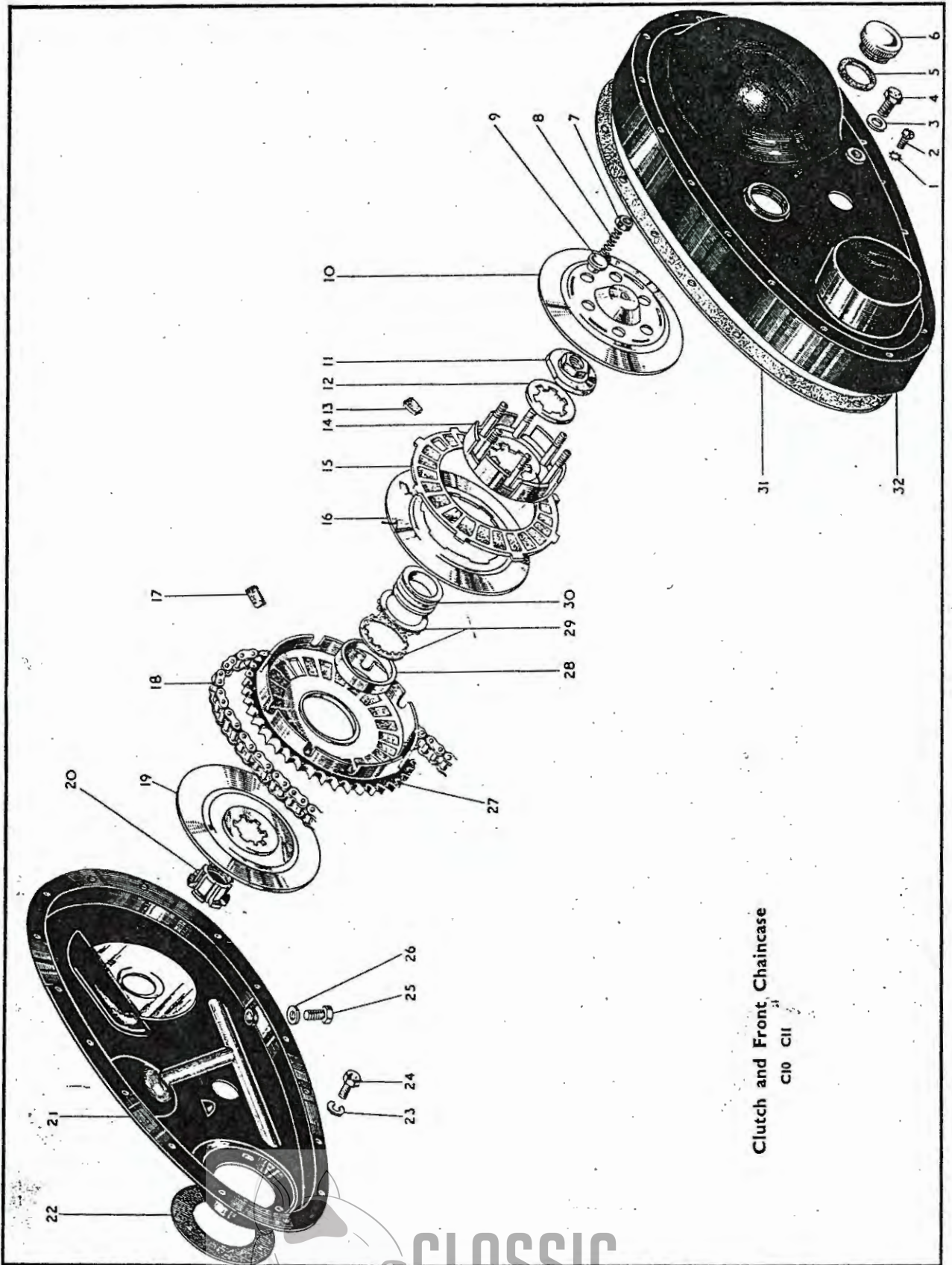
Tools and Sundries

Legshields Electrical Equipment

Numerical Index

CLUTCH and FRONT CHAINCASE

C10 C11



Clutch and Front Chaincase
C10 C11

Plate Ref. Number.	Models.	Part No.	Description.	Number per set.
1	C10 C11 (rigid and spring)	27-8059	Footrest rod nut	4
2	C10 C11 (rigid and spring)	3-110	Footrest rod washer (spring)	4
3	C10 C11 (rigid and spring)	29-4100	Crankcase and engine plate stud	4
4	C10 C11 (rigid and spring)	29-4075	Engine plate (front)	2
5	C10 C11 (rigid and spring)	24-5160	Crankcase and engine plate stud nut	8
6	C10 C11 (rigid and spring)	24-8784	Crankcase and engine plate stud washer (spring)	8
7	C10 C11 (rigid and spring)	2-440	Front engine plate frame bolt nut	1
7a	C10 (rigid)	29-2980	Exhaust pipe complete	1
	C11 (rigid)	29-2971	Exhaust pipe complete	1
8	C10 C11 (rigid and spring)	29-4253	Frame front with fixed fittings	1
9	C10 C11 (rigid and spring)	28-2080	Ball head grease nipple	1
10	C10 C11 (rigid and spring)	29-4103	Front engine plate frame bolt	1
11	C10 C11 (rigid and spring)	29-9290	Air cleaner complete	1
12	C10 C11 (rigid and spring)	29-9291	Air cleaner adaptor	1
13	C10 C11 (rigid)	15-541	Backstay frame bolt nut	1
14	C10 C11 (rigid and spring)	24-6040	Front saddle fixing bolt nut	1
15	C10 C11 (rigid and spring)	33-4089	Front saddle fixing bolt	1
16	C10 C11 (rigid and spring)	28-2080	Front saddle fixing bolt grease nipple	1
17	C10 C11 (rigid)	15-431	Backstay frame bolt washer	1
18	C10 C11 (rigid)	29-4102	Backstay frame bolt	1
19	C10 C11 (rigid and spring)	15-7161	Carrier fixing bolt	4
20	C10 C11 (rigid and spring)	2-1462	Carrier fixing bolt washer (spring)	4
21	C10 C11 (rigid and spring)	29-7025	Carrier complete	1
22	C10 C11 (rigid and spring)	2-2395	Carrier fixing bolt nut	4
23	C10 C11 (rigid and spring)	24-5160	Mudguard and saddle spring bolt nut	2
24	C10 C11 (rigid and spring)	35-33	Mudguard and saddle spring bolt washer (spring)	2
25	C10 C11 (rigid)	66-8347	Horn and saddle spring mudguard bolt distance piece	1
26	C10 C11 (rigid and spring)	24-102	Horn and saddle spring mudguard bolt (nearside)	1
27	C10 C11 (rigid and spring)	29-7550	Footrest bracket (nearside)	1
28	C10 C11 (rigid)	29-4257	Backstays complete	1
29	C10 C11 (rigid and spring)	24-6040	Pillion footrest swivel bolt nut	2
30	C10 C11 (rigid and spring)	36-382	Pillion footrest swivel bolt washer (shakeproof)	2
31	C10 C11 (rigid and spring)	29-7561	Pillion footrest complete	2
32	C10 C11 (rigid)	2-522	Chainstay, backstay and mudguard stay connecting bolt washer (spring)	2
33	C10 C11 (rigid)	2-1813	Chainstay, backstay and mudguard stay connecting bolt nut	2
34	C10 C11 (rigid and spring)	29-7564	Pillion footrest swivel bolt	2
35	C10 C11 (rigid)	29-7560	Pillion footrest anchor bolt	2
36	C10 C11 (rigid)	2-130	Pillion footrest anchor bolt washer	1
37	C10 C11 (rigid)	2-1813	Chainstay, backstay and mudguard stay connecting bolt nut	2
38	C10 C11 (rigid)	2-803	Chainstay, backstay and mudguard stay connecting bolt	2
39	C10 C11 (rigid)	2-522	Pillion footrest anchor bolt washer (spring)	2
40	C10 C11 (rigid)	2-46	Pillion footrest anchor bolt nut	2
41	C10 C11 (rigid)	2-46	Silencer and toolbox fixing bolt nut	2

Frame and Fittings

Rear Suspension

Front Fork and Fittings

Front Hub and Wheel Fittings

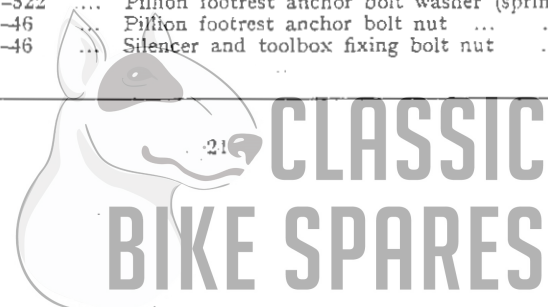
Rear Hub and Wheel Fittings

Accessories

Tools and Sundries

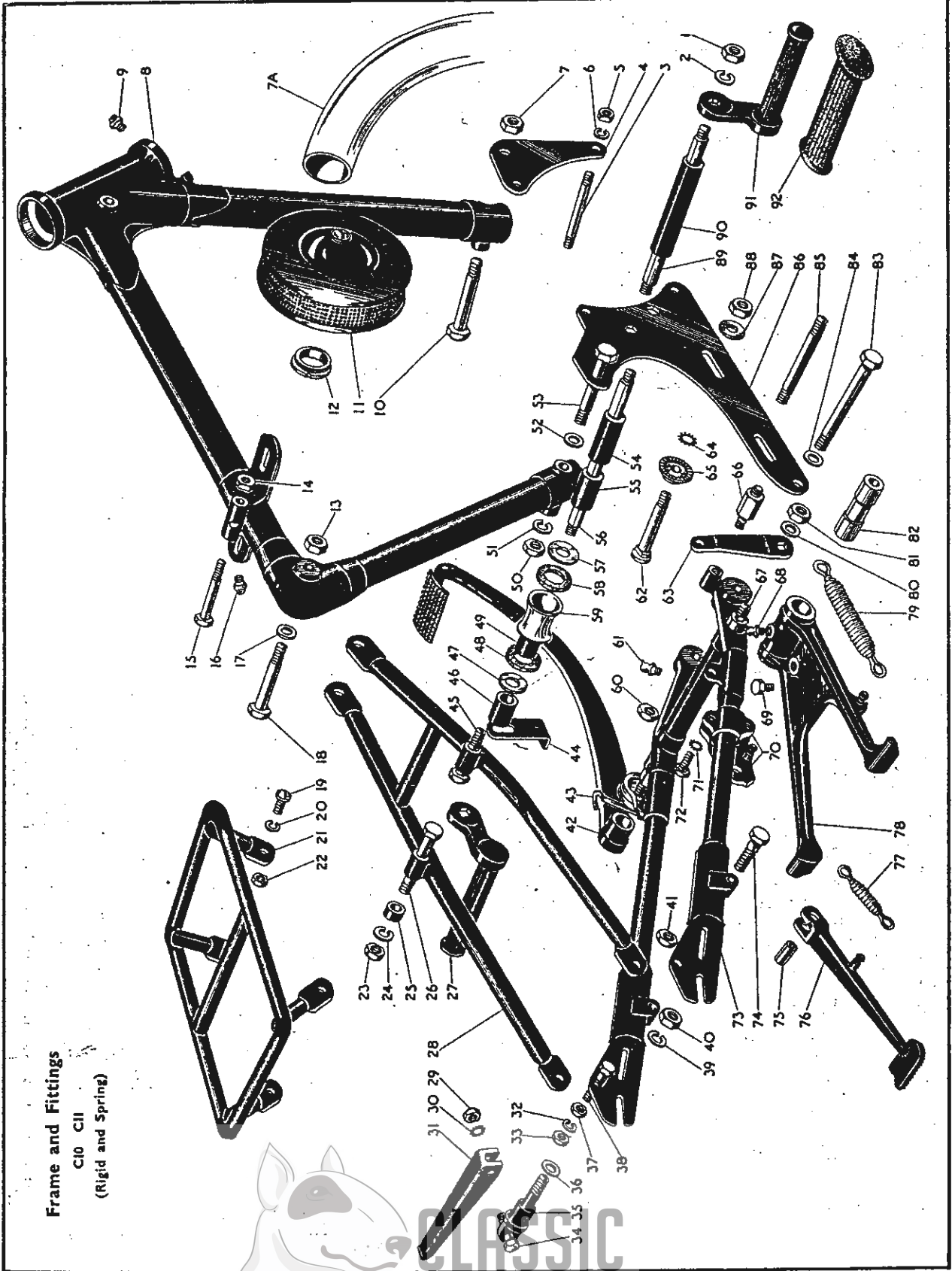
Legshields Electrical Equipment

Numerical Index



FRAME and FITTINGS

C10 C11 (Rigid and Spring)



Frame and Fittings
C10 C11
(Rigid and Spring)

FRAME and FITTINGS

C10 C11 (Rigid and Spring)

Plate Ref. Number.	Models.	Part No.	Description.	Number per set.
42	C10 C11 (rigid and spring)	29-7363	Rear brake pedal complete	1
43	C10 C11 (rigid and spring)	29-7327	Rear brake pedal return spring	1
44	C10 C11 (rigid and spring)	29-7354	Footrest rod brake pedal stop plate	1
45	C10 C11 (rigid and spring)	15-2018	Mudguard and saddle spring bolt (outside)	1
46	C10 C11 (rigid and spring)	29-7532	Footrest rod distance tube (left-hand)	1
47	C10 C11 (rigid and spring)	15-4100	Front chaincase sealing washer	1
48	C10 C11 (rigid and spring)	66-4902	Footrest cork washer	1
49	C10 C11 (rigid and spring)	29-7531	Footrest rod distance tube (front chaincase)	1
50	C10 C11 (rigid and spring)	2-440	Rear engine plate bolt nut (seat tube)	1
51	C10 C11 (rigid and spring)	15-716	Rear engine plate bolt washer (spring) (seat tube)	1
52	C10 C11 (rigid and spring)	15-431	Rear engine plate bolt washer (plain) (seat tube)	1
53	C10 C11 (rigid and spring)	29-4103	Rear engine plate bolt (seat tube)	1
54	C10 C11 (rigid and spring)	29-7504	Footrest and distance tube (left-hand) (between engine plates)	1
55	C10 C11 (rigid and spring)	29-7545	Footrest rod distance tube (left-hand) (chaincase and engine plate).	1
56	C10 C11 (rigid and spring)	29-7544	Footrest rod (left-hand)	1
57	C10 C11 (rigid and spring)	30-729	Front chaincase sealing washer	1
58	C10 C11 (rigid and spring)	66-4902	Footrest cork washer	2
59	C10 C11 (rigid and spring)	66-4903	Front chaincase distance sleeve	1
60	C10 C11 (rigid)	2-1925	Chainstay engine plate bolt nut	1
61	C10 C11 (rigid and spring)	35-5016	Bridge tube grease nipple	1
62	C10 (rigid and spring)	27-5674	Gearbox connecting bolt	2
63	C10 C11 (rigid and spring)	29-7362	Rear brake operating lever	1
64	C11 (rigid and spring)	66-4707	Gearbox connecting bolt washer (shakeproof)	4
65	C11 (rigid and spring)	65-4189	Gearbox connecting bolt washer (serrated)	4
66	C10 C11 (rigid and spring)	29-4181	Chainstay central stand anchor lug	1
67	C10 C11 (rigid and spring)	29-7388	Rear brake pedal shaft	1
68	C10 C11 (rigid and spring)	35-5016	Central stand grease nipple	1
69	C10 C11 (rigid)	15-645	Central stand stop bolt	1
70	C10 C11 (rigid and spring)	65-4739	Prop stand lug complete	1
71	C10 C11 (rigid and spring)	36-382	Prop stand clip bolt washer (shakeproof)	2
72	C10 C11 (rigid and spring)	28-2338	Prop stand clip bolt	2
73	C10 C11 (rigid)	29-4259	Chainstays complete	1
74	C10 C11 (rigid)	2-803	Silencer and tool box fixing bolt	2
75	C10 C11 (rigid and spring)	65-4741	Prop stand pivot pin	1
76	C10 C11 (rigid and spring)	65-4735	Prop stand complete	1
77	C10 C11 (rigid and spring)	65-4742	Prop stand spring	1
78	C10 C11 (rigid)	65-4755	Central stand complete	1
	C10 (spring)	65-4757	Central stand complete	1
	C11 (spring)	29-4880	Central stand complete	1

Rear Suspension
Front Fork and Fittings
Front Hub and Wheel Fittings
Rear Hub and Wheel Fittings
Accessories
Tools and Sundries
Legshields Electrical Equipment
Numerical Index



Plate 5—continued.

FRAME and FITTINGS

C10 C11 (Rigid and Spring)

Plate Ref. Number.	Models.	Part No.	Description.	Number per set.
79 ...	C10 C11 (rigid and spring)	65-4727	Central stand spring ...	1
80 ...	C10 C11 (rigid and spring)	2-1945	Rear brake pedal shaft washer ...	2
81 ...	C10 C11 (rigid and spring)	27-8059	Rear brake pedal shaft nut ...	2
82 ...	C10 C11 (rigid and spring)	29-4840	Central stand engine plate distance piece ...	1
83 ...	C10 C11 (rigid)	29-4132	Chainstay engine plate bolt... ..	1
84 ...	C10 C11 (rigid)	15-431	Chainstay engine plate bolt washer ...	1
85 ...	C11 (rigid and spring)	27-5683	Gearbox connecting stud ...	2
86 ...	C10 C11 (rigid and spring)	29-4183	Engine plate (rear) ...	2
87 ...	C10 (rigid and spring)	35-5864	Gearbox connecting bolt washer (serrated) ...	2
88 ...	C10 (rigid and spring)	2-46	Gearbox connecting bolt nut ...	2
...	C11 (rigid and spring)	2-46	Gearbox connecting bolt nut ...	4
89 ...	C10 C11 (rigid and spring)	29-7529	Footrest rod (right-hand) ...	1
90 ...	C10 C11 (rigid and spring)	29-7530	Footrest rod distance tube (right-hand) ...	1
91 ...	C10 C11 (rigid and spring)	29-7549	Footrest bracket (offside) ...	1
92 ...	C10 C11 (rigid and spring)	29-7551	Footrest rubber ...	2

Plate 6

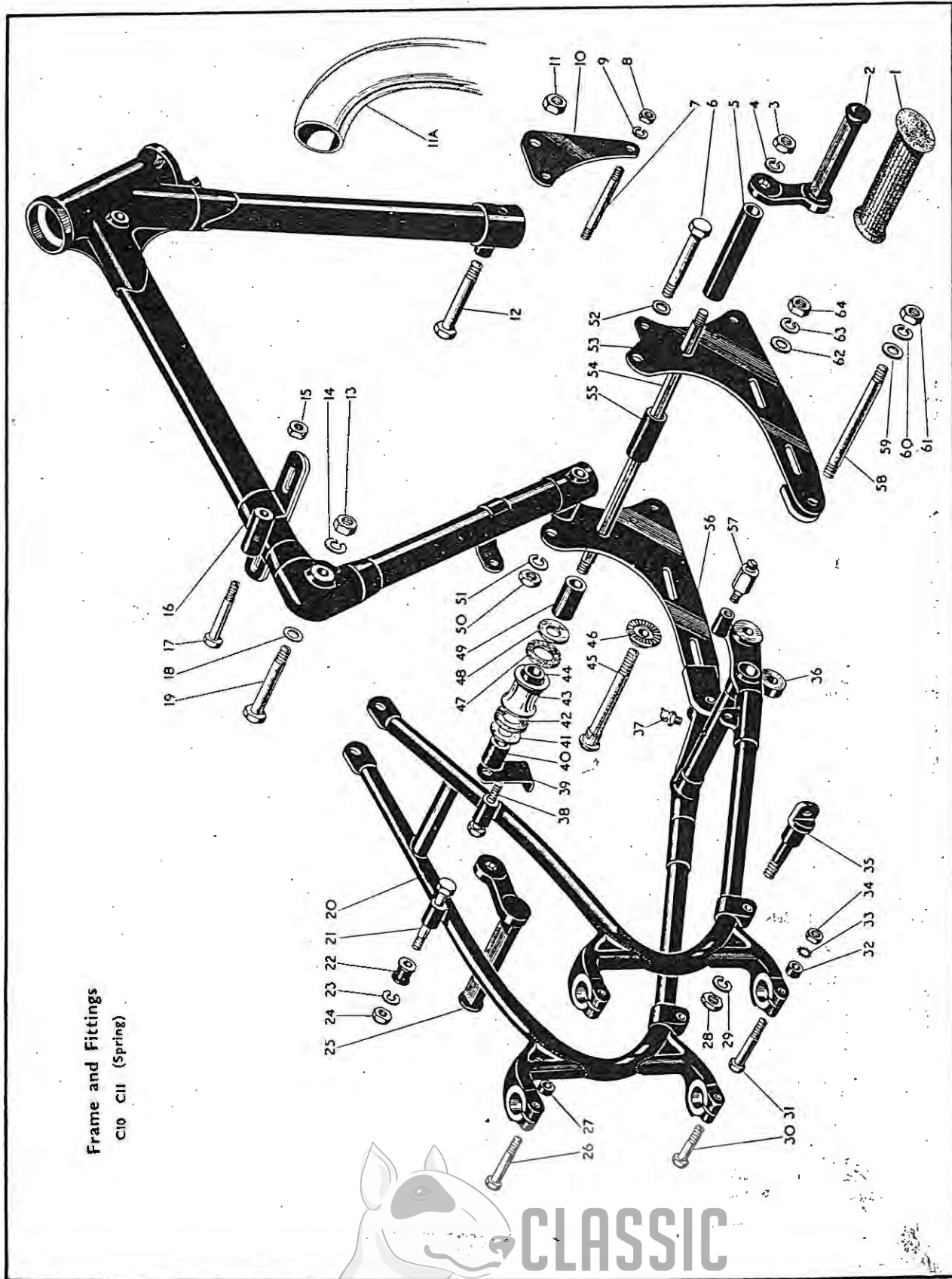
FRAME and FITTINGS

C10 C11 Spring Frame (3 and 4-speed)

Plate Ref. Number.	Models.	Part No.	Description.	Number per set.
1 ...	C10 C11 (spring)	29-7551	Footrest rubber (4-speed gearbox)... ..	2
2 ...	C10 C11 (spring)	29-7571	Footrest bracket (4-speed gearbox) ...	1
3 ...	C10 C11 (spring)	27-8059	Footrest rod nut (4-speed gearbox) ...	2
4 ...	C10 C11 (spring)	3-110	Footrest rod washer (spring) (4-speed gearbox)... ..	2
5 ...	C10 C11 (spring)	29-7530	Footrest rod distance tube (right-hand) (4-speed gearbox) ...	1
6 ...	C10 C11 (spring)	29-4103	Rear engine plate bolt (seat tube) (4-speed gearbox) ...	1
7 ...	C10 C11 (spring)	29-4100	Crankcase and engine plate stud (4-speed gearbox) ...	5
8 ...	C10 C11 (spring)	24-5160	Crankcase and engine plate stud nut (4-speed gearbox) ...	10
9 ...	C10 C11 (spring)	24-8784	Crankcase and engine plate stud washer (spring) (4-speed gearbox) ...	10
10 ...	C10 C11 (spring)	29-4075	Engine plate (front) (4-speed gearbox) ...	2
11 ...	C10 C11 (spring)	2-440	Front engine plate frame bolt nut (4-speed gearbox) ...	1
11a ...	C10 (spring)	29-3000	Exhaust pipe complete ...	1
...	C11 (spring)	29-2995	Exhaust pipe complete ...	1
12 ...	C10 C11 (spring)	29-4103	Front engine plate frame bolt (4-speed gearbox) ...	1
13 ...	C10 C11 (spring)	15-541	Backstay frame bolt nut (3 and 4-speed gearbox) ...	1
14 ...	C10 C11 (spring)	15-716	Backstay frame bolt washer (spring) (3 and 4-speed gearbox). ...	1
15 ...	C10 C11 (spring)	24-6040	Saddle front fixing bolt nut (4-speed gearbox) ...	1
16 ...	C10 C11 (spring)	29-4333	Frame front with fixed fittings (4-speed gearbox) ...	1
17 ...	C10 C11 (spring)	33-4089	Saddle front fixing bolt (4-speed gearbox) ...	1
18 ...	C10 C11 (spring)	15-431	Backstay frame bolt washer (4-speed gearbox) ...	1
19 ...	C10 C11 (spring)	29-4103	Backstay frame bolt (3 and 4-speed gearbox) ...	1
20 ...	C10 C11 (spring)	29-4274	Chainstay and backstay complete (3 and 4-speed gearbox) ...	1
21 ...	C10 C11 (spring)	24-102	Horn, saddle spring and mudguard bolt (nearside) (4-sp. gearbox) ...	1
22 ...	C10 C11 (spring)	15-7563	Horn, saddle spring and mudguard bolt distance piece (nearside) (3 and 4-speed gearbox). ...	1
23 ...	C10 C11 (spring)	35-33	Mudguard and saddle spring bolt washer (spring) (4-speed gearbox). ...	2
24 ...	C10 C11 (spring)	24-5160	Mudguard and saddle spring bolt nut (4-speed gearbox) ...	2
25 ...	C10 C11 (spring)	29-7550	Footrest bracket (nearside) (4-speed gearbox) ...	1

FRAME and FITTINGS

C10 C11 (Spring)



Frame and Fittings
C10 C11 (Spring)

Rear Suspension

Front Fork and Fittings

Front Hub and Wheel Fittings

Rear Hub and Wheel Fittings

Accessories

Tools and Sundries

Legshields Electrical Equipment

Numerical Index

Plate 6—continued.

FRAME and FITTINGS

C10 C11 Spring Frame (3 and 4-speed)

Plate Ref. Number.	Models.	Part No.	Description.	Number per set.
26	C10 C11 (spring)	29-4329	Rear suspension plunger column top bolt (3 and 4-speed gearbox)	2
27	C10 C11 (spring)	66-8347	Mudguard stay distance piece (3 and 4-speed gearbox)	2
28	C10 C11 (spring)	2-46	Pillion footrest anchor bolt nut (3 and 4-speed gearbox)	2
29	C10 C11 (spring)	2-2903	Pillion footrest anchor bolt washer (spring) (3 and 4-speed gearbox).	2
30	C10 C11 (spring)	15-1355	Rear suspension plunger column bottom bolt (nearside) (3 and 4-speed gearbox).	1
31	C10 C11 (spring)	65-292	Rear suspension plunger column bolt (offside) (3 and 4-speed gearbox).	1
32	C10 C11 (spring)	66-8347	Silencer bracket distance piece (3 and 4-speed gearbox)	1
33	C10 C11 (spring)	36-382	Rear suspension plunger column bolt washer (shakeproof) (3 and 4-speed gearbox).	4
34	C10 C11 (spring)	2-49	Rear suspension plunger column bolt nut (3 and 4-speed gearbox)	4
35	C10 C11 (spring)	67-4871	Pillion footrest anchor bolt (3 and 4-speed gearbox)	2
36	C10 C11 (spring)	29-4197	Engine gearbox plate distance collar (3-speed gearbox)	1
37	C10 C11 (spring)	35-5016	Chainstay bridge grease nipple (4-speed gearbox)	1
38	C10 C11 (spring)	65-292	Mudguard and saddle spring bolt (offside) (4-speed gearbox)...	1
39	C10 C11 (spring)	29-7534	Footrest rod brake pedal stop plate (4-speed gearbox)	1
40	C10 C11 (spring)	29-7532	Footrest rod distance tube (left-hand) (4-speed gearbox)	1
41	C10 C11 (spring)	15-4100	Front chaincase sealing washer (4-speed gearbox)	1
42	C10 C11 (spring)	66-4902	Footrest cork washer (4-speed gearbox)	1
43	C10 C11 (spring)	66-4903	Chaincase distance sleeve (4-speed gearbox)	1
44	C10 C11 (spring)	29-7531	Footrest rod distance tube (left-hand) (4-speed gearbox)	1
45	C10 C11 (spring)	65-4540	Gearbox connecting bolt (4-speed gearbox)	2
46	C10 C11 (spring)	65-4189	Gearbox connecting bolt washer (serrated) (4-speed gearbox)	2
47	C10 C11 (spring)	66-4902	Footrest cork washer (4-speed gearbox)	1
48	C10 C11 (spring)	30-729	Front chaincase sealing washer (4-speed gearbox)	1
49	C10 C11 (spring)	29-7545	Footrest rod distance tube (left-hand) (4-speed gearbox)	1
50	C10 C11 (spring)	2-440	Rear engine plate bolt nut (seat tube) (4-speed gearbox)	1
51	C10 C11 (spring)	15-716	Rear engine plate bolt washer (spring) (seat tube) (4-speed gearbox).	1
52	C10 C11 (spring)	15-431	Rear engine plate bolt washer (plain) (seat tube) (4-speed gearbox)	1
53	C10 C11 (spring)	29-4184	Engine gearbox plate complete (offside) (4-speed gearbox)	1
54	C10 C11 (spring)	29-7572	Footrest rod (4-speed gearbox)	1
55	C10 C11 (spring)	29-7504	Footrest rod distance tube (left-hand) (4-speed gearbox)	1
56	C10 C11 (spring)	29-4188	Engine gearbox plate complete (nearside) (4-speed gearbox)...	1
57	C10 C11 (spring)	29-4181	Chainstay central stand anchor lug (4-speed gearbox)	1
58	C10 C11 (spring)	29-4290	Chainstay engine plate stud (3 and 4-speed gearbox)	1
59	C10 C11 (spring)	15-431	Chainstay engine plate stud washer (3 and 4-speed gearbox)...	2
60	C10 C11 (spring)	15-716	Chainstay engine plate stud washer (spring) (3 and 4-speed gearbox).	2
61	C10 C11 (spring)	2-1925	Chainstay engine plate stud nut (3 and 4-speed gearbox)	2
62	C10 C11 (spring)	65-4541	Gearbox connecting bolt washer (plain) (4-speed gearbox)	2
63	C10 C11 (spring)	2-522	Gearbox connecting bolt washer (spring) (4-speed gearbox)	2
64	C10 C11 (spring)	29-5315	Gearbox connecting bolt nut (4-speed gearbox)...	2

Plate 7

REAR SUSPENSION

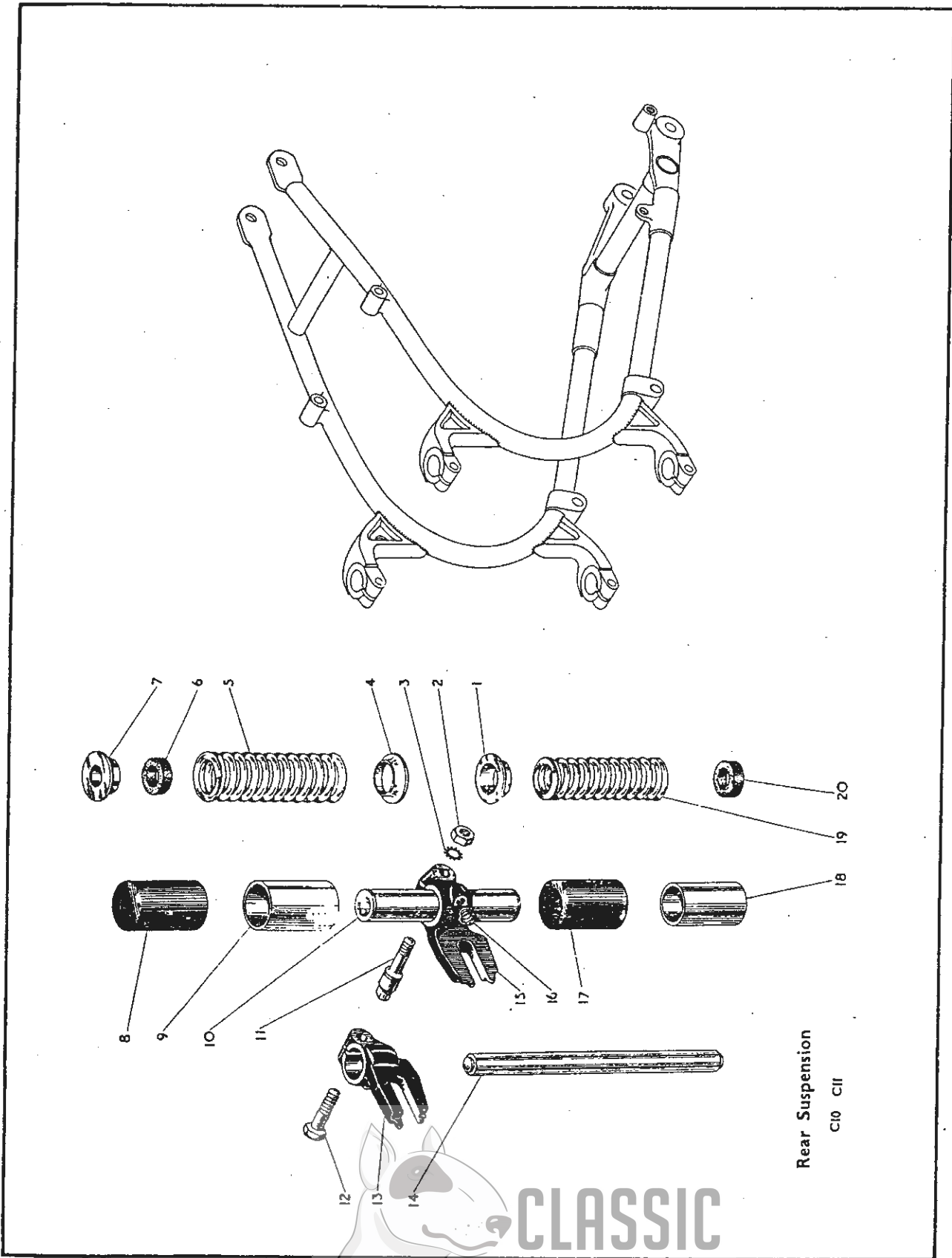
C10 C11 (Spring Frame) (3 and 4-speed)

Plate Ref. Number.	Models.	Part No.	Description.	Number per set.
1	C10 C11 (spring)	90-4112	Rebound spring top collar	2
2	C10 C11 (spring)	2-46	Rear wheel mounting lug bolt nut	2
3	C10 C11 (spring)	66-4707	Rear wheel mounting lug bolt washer (shakeproof)	2
4	C10 C11 (spring)	90-4112	Plunger spring bottom collar	2
5	C10 C11 (spring)	29-4326	Plunger spring (top)	2
6	C10 C11 (spring)	90-4105	Plunger stop buffer (rubber)	2
7	C10 C11 (spring)	90-4115	Plunger spring top collar	2
8	C10 C11 (spring)	90-4111	Plunger spring outer shroud	2
9	C10 C11 (spring)	90-4110	Plunger spring inner shroud	2
10	C10 C11 (spring)	90-4113	Plunger tube assembly	2
11	C10 C11 (spring)	29-4327	Mounting lug and rear brake anchor plate bolt (offside)	1
12	C10 C11 (spring)	3-1399	Mounting lug bolt (nearside)	1
13	C10 C11 (spring)	29-6223	Rear hub mounting lug (nearside)	1
14	C10 C11 (spring)	90-4117	Plunger column assembly	2
15	C10 C11 (spring)	29-6221	Rear hub mounting lug (offside)	1
16	C10 C11 (spring)	28-2080	Lug grease nipple	2
17	C10 C11 (spring)	90-4120	Rebound spring outer shroud	2
18	C10 C11 (spring)	90-4119	Rebound spring inner shroud	2
19	C10 C11 (spring)	29-4330	Rebound spring (bottom)	2
20	C10 C11 (spring)	90-4105	Plunger stop buffer (rubber)	2

CLASSIC BIKE SPARES

REAR SUSPENSION

C10 C11



Rear Suspension

Front Fork and Fittings

Front Hub and Wheel Fittings

Rear Hub and Wheel Fittings

Accessories

Tools and Sundries

Legshields Electrical Equipment

Numerical Index

Plate 8

FRONT FORK and FITTINGS

C10 C11

Plate Ref. Number.	Models.	Part No.	Description.	Number per set.
1	C10 C11	29-5350	Front fork complete	1
2	C10 C11	2-1309	Front fork end drain plug	2
3	C10 C11	2-292	Front fork end drain plug washer (fibre)	2
4	C10 C11	29-5351	Front fork sliding tube (nearside)	1
5	C10 C11	29-5346	Front fork top bearing	2
	C10 C11	29-5335	Top bush shim (.010")	—
	C10 C11	29-5336	Top bush shim (.020")	—
	C10 C11	29-5337	Top bush shim (.030")	—
6	C10 C11	29-5320	Front fork top bearing circlip	2
7	C10 C11	29-5313	Front fork oil seal	2
8	C10 C11	29-5310/3	Front fork oil seal holder complete	2
9	C10 C11	65-5390	Front fork spring	2
10	C10 C11	29-5340	Front fork outer sleeve (nearside)	1
11	C10 C11	65-5334	Handlebar clip bolt	4
12	C10 C11	29-5290	Steering stem adjusting sleeve	1
13	C10 C11	29-5291	Steering stem adjusting cap	1
14	C10 C11	29-5315	Top yoke clip bolt nut	1
15	C10 C11	65-5331	Front fork top nut	2
16	C10 C11	65-5332	Front fork top nut washer (plain)	2
17	C10 C11	29-5363	Front fork top yoke	1
18	C10 C11	3/16" dia.	Steering head balls	48
19	C10 C11	15-5155	Handlebar clip bolt washer (plain)	4
20	C10 C11	65-5333	Handlebar clip	2
21	C10 C11	27-5135	Top yoke clip bolt	1
22	C10 C11	65-5321	Steering head dust cap	1
23	C10 C11	65-5319	Steering head ballrace cone (top)	1
24	C10 C11	65-4465	Ball head cups	2
25	C10 C11	65-5320	Steering head ballrace cone (bottom)	1
26	C10 C11	29-5342	Front fork outer sleeve (offside)	1
27	C10 C11	29-5353	Front fork sliding tube (offside)	1
28	C10 C11	29-5289	Front fork bottom yoke clip bolt	2
29	C10 C11	36-382	Front fork bottom yoke clip bolt washer (shakeproof)	2
30	C10 C11	24-5160	Front fork bottom yoke clip bolt nut	2
31	C10 C11	29-5286	Front fork bottom yoke	1
32	C10 C11	29-5273	Front fork shaft	2
33	C10 C11	29-5347	Front fork bottom bearing	2
34	C10 C11	29-5283	Front fork shaft plug	2
35	C10 C11	29-5293	Fork end bolt (n/s)	1
36	C10 C11	36-382	Fork end bolt washer	1

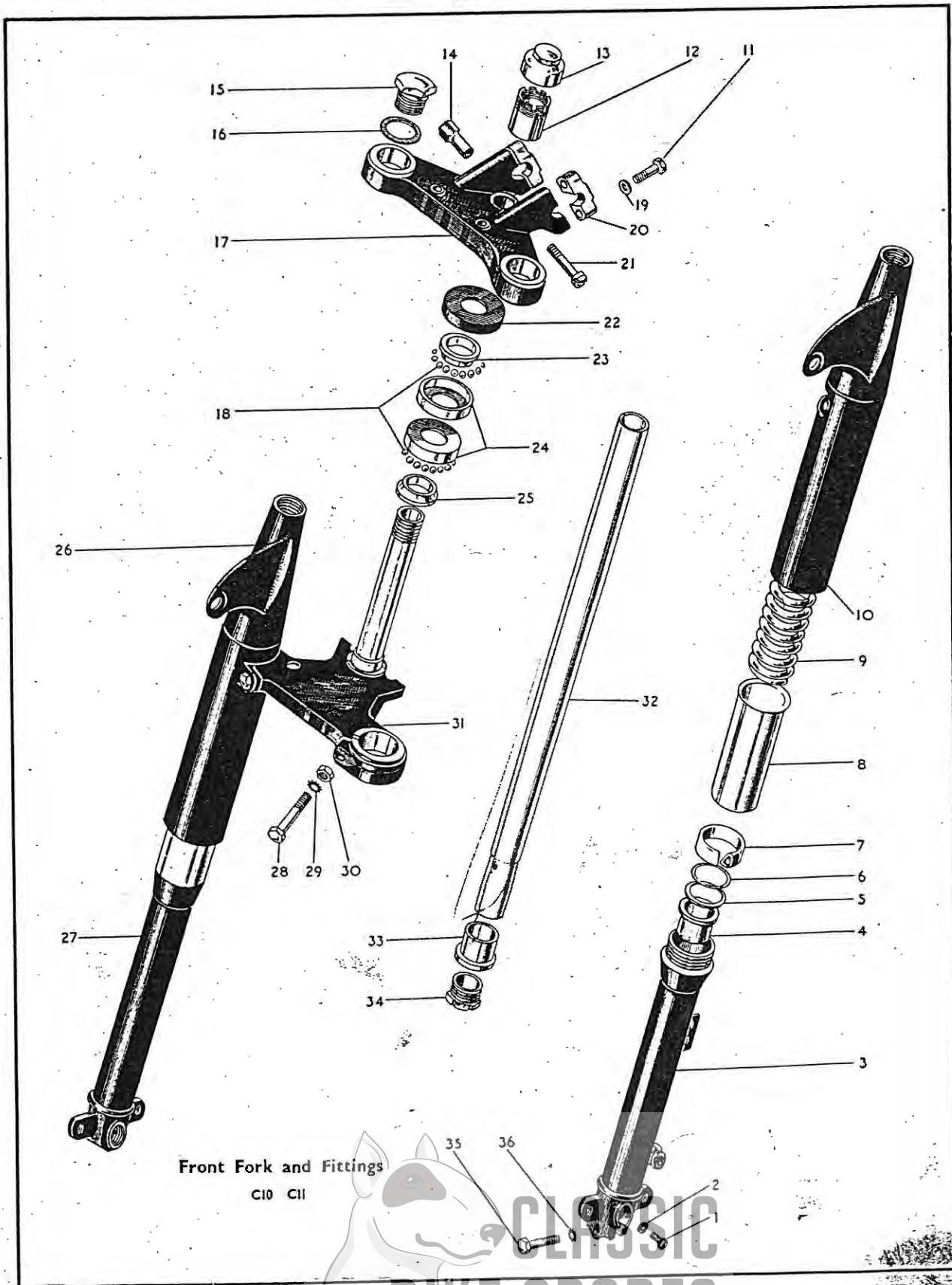
Plate 9

FRONT HUB and WHEEL FITTINGS

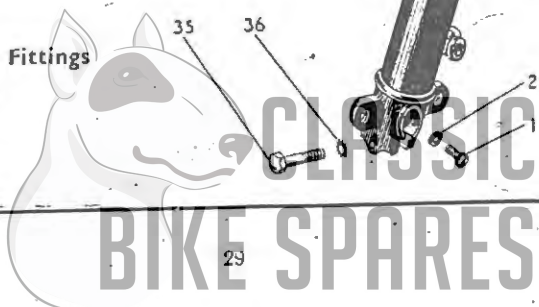
C10 C11 (Rigid and Spring)

Plate Ref. Number.	Models.	Part No.	Description.	Number per set.
—	C10 C11	29-5770	Front wheel complete (less brake and tyre)	1
1	C10 C11	29-5837	Front hub spindle	1
2	C10 C11	29-5842	Front hub locking nut	1
3	C10 C11	29-5833	Front hub adjusting cone	1
4	C10 C11	29-5840	Front hub felt retaining cup	1
5	C10 C11	24-6790	Front hub washer (felt)	1
6	C10 C11	29-5841	Front hub felt retaining washer	1
7	C10 C11	5/16" dia.	Balls	11
8	C10 C11	29-5832	Front hub cup	1
9	C10 C11	15-5290	Front hub grease nipple	1
10	C10 C11	29-5825	Front hub shell complete with bearing	1
11	C10 C11	24-7012	Front wheel spoke (left-hand)	20
12	C10 C11	29-5832	Front hub cup	1
13	C10 C11	5/16" dia.	Balls	11
14	C10 C11	29-5841	Front hub felt retaining washer	1
15	C10 C11	24-6790	Front hub washer (felt)	1
16	C10 C11	29-5840	Front hub felt retaining cup	1
17	C10 C11	29-5834	Front hub fixed cone	1
18	C10 C11	29-5853	Front brake shoe lining rivet	14
19	C10 C11	29-5850	Front brake shoe with lining	2
20	C10 C11	29-5863	Front brake cover plate	1
21	C10 C11	29-5842	Front hub locking nut	1
22	C10 C11	29-5852	Front brake shoe lining	2
23	C10 C11	2-440	Front brake operating lever nut	1
24	C10 C11	66-4708	Front brake operating lever washer (shakeproof)	1

FRONT FORK and FITTINGS
C10 C11



Front Fork and Fittings
C10 C11



Front Fork and Fittings

Front Hub and Wheel Fittings

Rear Hub and Wheel Fittings

Accessories

Tools and Sundries

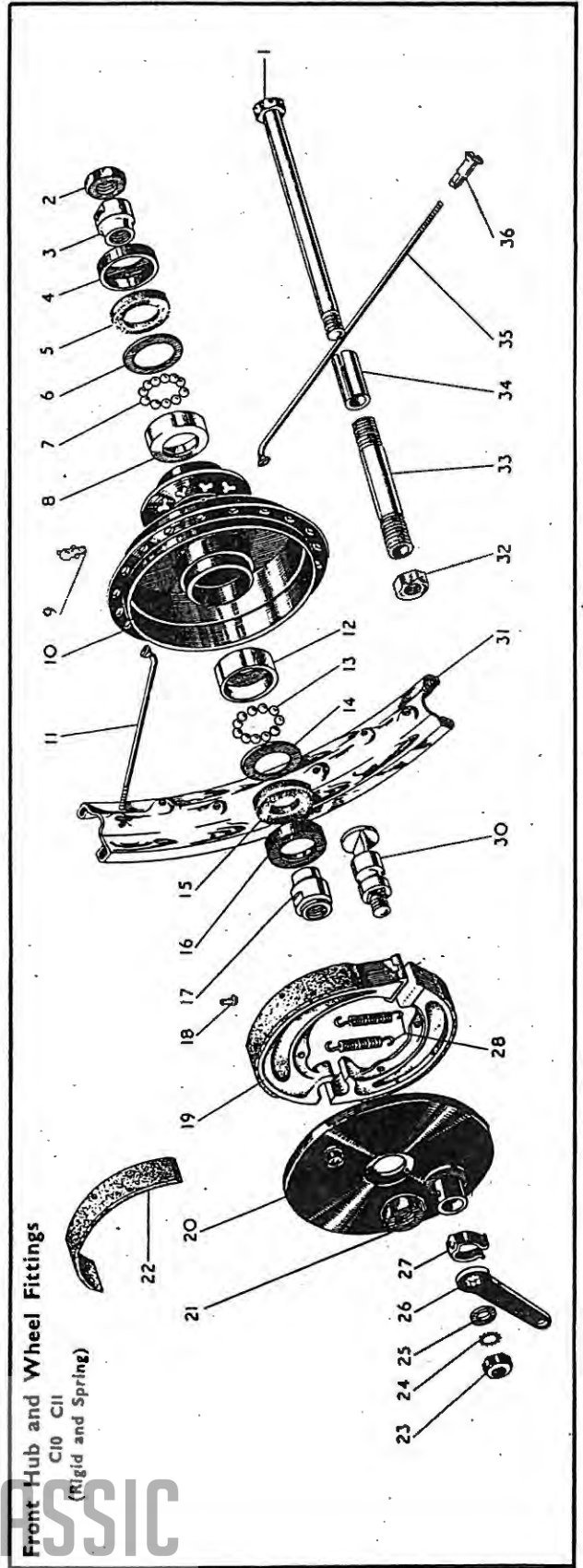
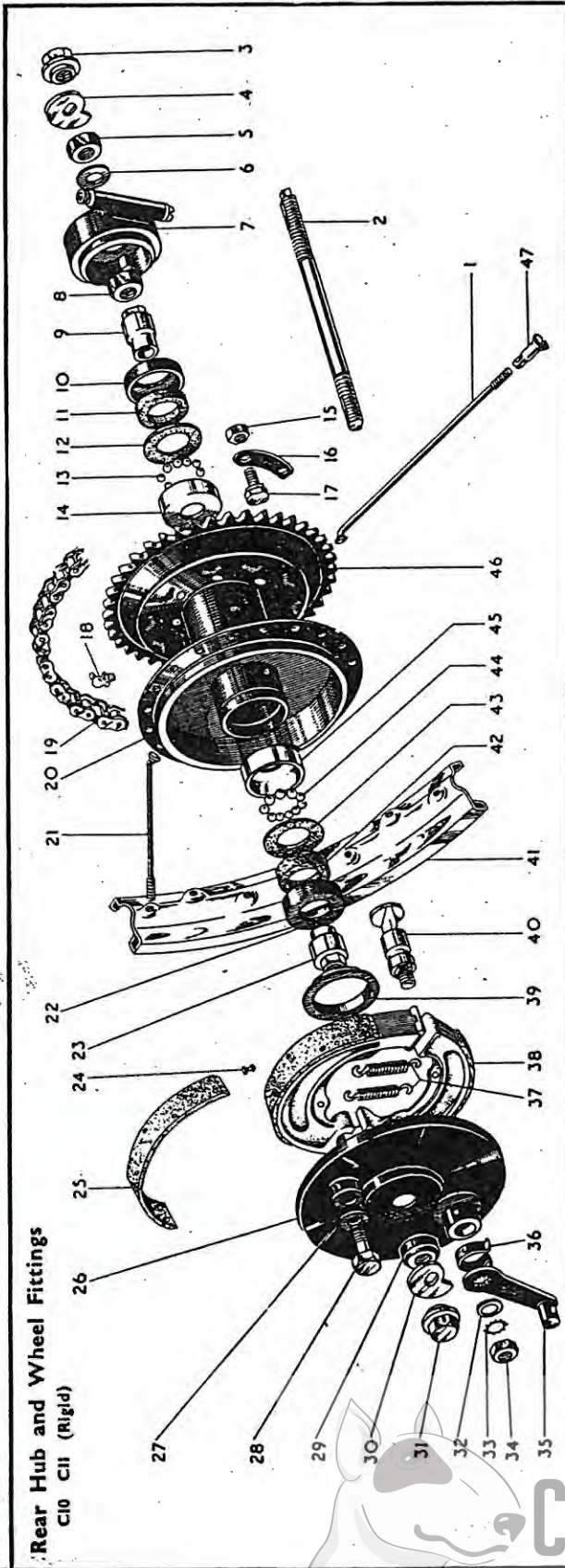
Legshields Electrical Equipment

Numerical Index

FRONT and REAR HUB and WHEEL FITTINGS

C10 C11 (Rigid)

C10 C11 (Rigid and Spring)



FRONT HUB and WHEEL FITTINGS

C10 C11 (Rigid and Spring)

Plate Ref. Number.	Models.	Part No.	Description.	Number per set.
25	C10 C11	15-431	Front brake operating lever washer (plain)	1
26	C10 C11	24-7800	Front brake operating lever	1
27	C10 C11	65-5674	Front brake cam bearing oil hole clip	1
28	C10 C11	65-5904	Front brake shoe spring	2
30	C10 C11	29-5856	Front brake cam complete	1
31	C10 C11	29-5776	Front wheel rim (WMI-19)	1
	C11	29-5777	Front wheel rim (WMI-20) (1949/52)	1
32	C10 C11	29-5839	Front hub spindle nut	2
33	C10 C11	29-5835	Front hub spindle sleeve	1
34	C10 C11	29-5836	Front hub spindle distance piece	1
35	C10 C11	24-7012	Front wheel spoke (right-hand)	20
36	C10 C11	27-6813	Front wheel spoke nipple	40

Plate 9

REAR HUB and WHEEL FITTINGS

C10 C11 (Rigid)

Plate Ref. Number.	Models.	Part No.	Description.	Number per set.
—	C10 C11	29-6170	Rear wheel complete (less brake and tyre)	1
1	C10 C11	24-7012	Rear wheel spoke (left-hand)	20
2	C10 C11	29-5791	Rear hub spindle	1
3	C10 C11	27-6732	Rear hub spindle nut	1
4	C10 C11	27-6738	Rear hub adjusting plate	1
5	C10 C11	27-6716	Rear hub spindle locknut	1
6	C10 C11	15-39	Speedometer gearbox washer	1
7	C10 C11	29-5738	Speedometer gearbox	1
8	C10 C11	27-6716	Rear hub spindle locknut	1
9	C10 C11	29-5702	Rear hub adjusting cone	1
10	C10 C11	29-5710	Rear hub felt retaining cup	1
11	C10 C11	24-7047	Rear hub washer (felt)	1
12	C10 C11	29-5715	Rear hub felt retaining washer	1
13	C10 C11	5/16" dia.	Balls	10
14	C10 C11	29-5701	Rear hub cup	1
15	C10 C11	2-833	Rear hub flange and chainwheel bolt nut	6
16	C10 C11	29-6188	Rear hub flange and chainwheel bolt lockstrip	3
17	C10 C11	29-6187	Rear hub flange and chainwheel bolt	6
18	C10 C11	15-5290	Rear hub grease nipple	1
19	C10 C11	65-9188	Rear transmission chain	1
20	C10 C11	29-6181	Rear hub shell complete with bearings	1
21	C10 C11	24-7014	Rear wheel spoke (right-hand)	20
22	C10 C11	29-5710	Rear hub felt retaining cup	1
23	C10 C11	29-5700	Rear hub cone	1
24	C10 C11	29-5853	Rear brake shoe lining rivet	14
25	C10 C11	29-5852	Rear brake shoe lining	2
26	C10 C11	29-6196	Rear hub cover plate with fixed fittings	1
27	C10 C11	24-7911	Rear brake anchor bolt washer (plain)	1
28	C10 C11	29-6110	Rear brake anchor bolt	1
29	C10 C11	65-5832	Rear hub distance piece	1
30	C10 C11	27-6738	Rear hub adjusting plate	1
31	C10 C11	27-6732	Rear hub spindle nut	1
32	C10 C11	15-431	Rear brake operating lever washer (plain)	1
33	C10 C11	66-4708	Rear brake operating lever washer (shakeproof)	1
34	C10 C11	2-440	Rear brake operating lever nut	1
35	C10 C11	29-7360	Rear brake operating lever complete	1
36	C10 C11	65-5674	Rear brake cam oil hole clip	1
37	C10 C11	65-5904	Rear brake shoe springs	2
38	C10 C11	29-5850	Rear brake shoe complete	2
39	C10 C11	29-5905	Rear hub oil retaining washer	1
40	C10 C11	29-5856	Rear brake cam complete	1
41	C10 C11	29-5776	Rear wheel rim (WMI-19)	1
	C11	29-5777	Rear wheel rim (WMI-20) (1949/52)	1
42	C10 C11	24-7047	Rear hub washer (felt)	1
43	C10 C11	29-5715	Rear hub felt retaining washer	1
44	C10 C11	5/16" dia.	Balls	10
45	C10 C11	29-5701	Rear hub cup	1
46	C10 C11	29-6186	Rear hub chainwheel	1
47	C10 C11	27-6813	Rear wheel spoke nipple	40

50 1/2 / 0

Front Hub and Wheel Fittings

Rear Hub and Wheel Fittings

Accessories

Tools and Sundries

Legshields Electrical Equipment

Numerical Index



REAR HUB and WHEEL FITTINGS

C10 C11 (Spring Frame)

Plate Ref. Number.	Models.	Part No.	Description.	Number per set.
—	C10 C11	29-6201	Rear wheel complete (less brake and tyre)	1
1	C10 C11	29-6241	Rear brake operating lever	1
2	C10 C11	15-431	Rear brake operating lever washer (plain)	1
3	C10 C11	66-4708	Rear brake operating lever washer (shakeproof)	1
4	C10 C11	2-440	Rear brake operating lever nut	1
5	C10 C11	24-7122	Hub spindle nut	1
6	C10 C11	29-6243	Chain adjuster	1
7	C10 C11	36-3528	Hub spacing washer (offside)	1
8	C10 C11	29-6217	Hub cover plate spindle nut	1
9	C10 C11	29-5852	Rear brake shoe lining	2
10	C10 C11	29-5853	Rear brake shoe lining rivet	14
11	C10 C11	29-6216	Hub spindle bearing locknut (offside)	1
12	C10 C11	29-6235	Hub felt washer retaining cup	1
13	C10 C11	29-6232	Hub washer (felt) (offside)	1
14	C10 C11	29-5776	Rear wheel rim (WMI-19)	1
	C11	29-5777	Rear wheel rim (WMI-20) (up to 1952)	1
15	C10 C11	24-7014	Rear wheel spoke (right-hand)	20
16	C10 C11	29-6226	Rear hub shell complete with bearing	1
17	C10 C11	28-2080	Rear hub shell grease nipple	1
18	C10 C11	65-9184	Rear transmission chain	1
19	C10 C11	29-6211	Rear hub bearing (nearside)	1
20	C10 C11	2-520	Hub bearing washer (nearside)	1
21	C10 C11	29-6234	Hub washer (felt) (nearside)	1
22	C10 C11	29-6235	Hub felt washer retaining cup	1
23	C10 C11	29-6237	Hub distance piece	1
24	C10 C11	24-898	Hub spindle bearing locknut (nearside)	1
25	C10 C11	66-5524	Speedometer gearbox spacing washer	1
26	C10 C11	29-5737	Speedometer gearbox (required when 3-speed gearbox is fitted)	1
27	C10 C11	66-5524	Speedometer gearbox spacing washer (1 per set when 3-speed gearbox is fitted).	1
28	C10 C11	29-6238	Speedometer gearbox locking nut	1
29	C10 C11	29-6243	Chain adjuster	1
30	C10 C11	24-7122	Hub spindle nut	1
31	C10 C11	1-6032	Chain adjuster nut	1
32	C10 C11	90-6084	Chain adjuster cap	1
33	C10 C11	36-3528	Hub spacing washer (required when speedo is not fitted)	1
34	C10 C11	66-5541	Hub barrel nut (required when speedo is not fitted)	1
35	C10 C11	29-6240	Rear hub flange and chainwheel bolt nut	6
36	C10 C11	29-6188	Rear hub flange and chainwheel bolt lockstrip	3
37	C10 C11	29-6187	Rear hub flange and chainwheel bolt	6
38	C10 C11	29-6230	Hub bearing distance tube	1
39	C10 C11	24-7012	Rear wheel spoke (left-hand)	20
40	C10 C11	27-6813	Rear wheel spoke nipple	40
41	C10 C11	29-6186	Rear hub chainwheel	1
42	C10 C11	29-6236	Rear hub spindle	1
43	C10 C11	29-6229	Hub bearing locating washer (offside)	1
44	C10 C11	90-11	Rear hub bearing	1
45	C10 C11	29-6231	Hub felt washer retaining ring (offside)	1
46	C10 C11	29-6233	Hub bearing locking ring (offside)	1
47	C10 C11	29-5856	Rear brake cam complete	1
48	C10 C11	29-5850	Rear brake shoe complete with linings	2
49	C10 C11	65-5904	Rear brake shoe springs	2
50	C10 C11	29-6207	Rear hub cover plate with fixed fittings	1
51	C10 C11	65-5674	Rear brake cam oil hole clip	1
52	C10 C11	1-6032	Chain adjuster nut	1
53	C10 C11	90-6084	Chain adjuster cup	1

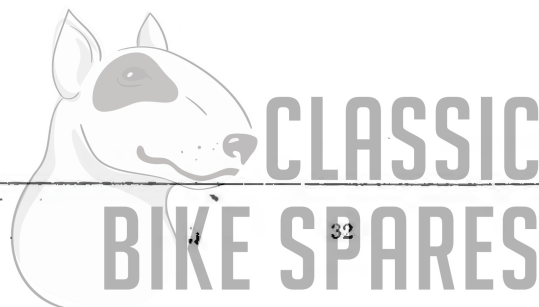


Plate 11

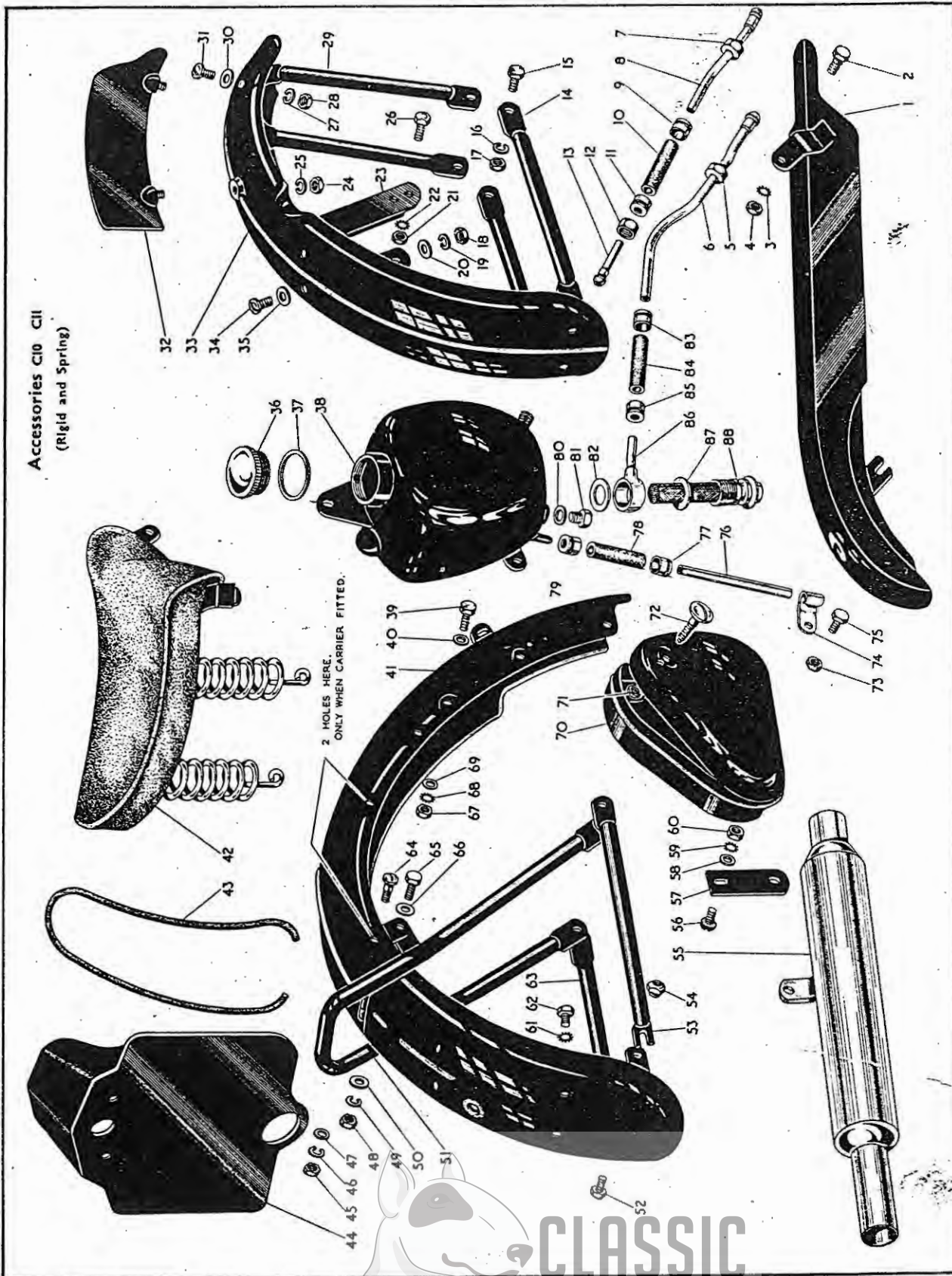
ACCESSORIES

C10 C11 (Rigid and Spring)

Plate Ref. Number.	Models	Part No.	Description.	Number per set
1	C10 C11 (rigid)	29-8325	Rear chainguard complete	1
2	C10 C11 (rigid)	2-129	Rear chainguard strap top bolt	1
3	C10 C11 (rigid)	36-382	Rear chainguard strap top bolt washer (shakeproof)	1
4	C10 C11 (rigid)	2-49	Rear chainguard strap top bolt nut	1
5	C10 C11 (rigid and spring)	66-8332	Oil feed pipe union nut	1
6	C10 C11 (rigid and spring)	29-7990	Oil feed pipe complete (crankcase)	1
7	C10 C11 (rigid and spring)	66-8332	Oil return pipe union nut	1
8	C10 C11 (rigid and spring)	29-7996	Oil return pipe complete (crankcase)	1
9	C10 C11 (rigid and spring)	65-8422	Oil return pipe connection ferrule	1
10	C10 C11 (rigid and spring)	65-2060	Oil return pipe connection (rubber)	1
11	C10 C11 (rigid and spring)	65-8422	Oil return pipe connection ferrule	1
12	C10 C11 (rigid and spring)	66-8332	Oil return pipe union nut	1
13	C10 C11 (rigid and spring)	29-7998	Oil return pipe complete (oil tank)	1
14	C10 C11 (rigid and spring)	29-6565	Front mudguard bottom stay	1
15	C10 C11 (rigid and spring)	15-7354	Front mudguard stay centre fixing bolt	4
16	C10 C11 (rigid and spring)	24-8784	Front mudguard stay centre fixing bolt washer (spring)	4
17	C10 C11 (rigid and spring)	2-1616	Front mudguard stay centre fixing bolt nut	4
18	C10 C11 (rigid and spring)	2-2395	Front mudguard support bridge fixing bolt nut	2
19	C10 C11 (rigid and spring)	2-1462	Front mudguard support bridge fixing bolt washer (spring)	2
20	C10 C11 (rigid and spring)	66-7518	Front mudguard support bridge fixing bolt washer (fibre)	2
21	C10 C11 (rigid and spring)	2-49	Front mudguard bridge fork fixing bolt nut	4
22	C10 C11 (rigid and spring)	36-382	Front mudguard bridge fork fixing bolt washer (shakeproof)	4
23	C10 C11 (rigid and spring)	29-6554	Front mudguard support bridge	1
24	C10 C11 (rigid and spring)	2-2395	Front number plate stud nut	2
25	C10 C11 (rigid and spring)	2-1462	Front number plate stud washer (spring)	2
26	C10 C11 (rigid and spring)	28-2338	Front mudguard bridge fork fixing bolt	4
27	C10 C11 (rigid and spring)	2-1462	Front mudguard stay fixing bolt washer (spring)	4
28	C10 C11 (rigid and spring)	2-2395	Front mudguard stay fixing bolt nut	4
29	C10 C11 (rigid and spring)	29-6565	Front mudguard top stay	1
30	C10 C11 (rigid and spring)	27-8560	Front mudguard stay fixing bolt washer	4
31	C10 C11 (rigid and spring)	15-7161	Front mudguard stay fixing bolt	4
32	C10 C11 (rigid and spring)	65-6576	Front number plate complete	1
33	C10 C11 (rigid and spring)	29-6564	Front mudguard complete with fixed fittings	1
34	C10 C11 (rigid and spring)	15-7161	Front mudguard support bridge fixing bolt	2
35	C10 C11 (rigid and spring)	27-8560	Front mudguard support bridge fixing bolt washer	2
36	C10 C11 (rigid and spring)	65-8500	Oil tank filler cap	1
37	C10 C11 (rigid and spring)	67-42	Oil tank filler washer (fibre)	1
38	C10 C11 (rigid and spring)	29-7981	Oil tank complete with fixed fittings	1
39	C10 C11 (rigid)	2-1354	Toolbox and mudguard fixing bolt (front)	2
40	C10 C11 (rigid)	2-370	Toolbox and mudguard fixing bolt spacing washer (front)	2

ACCESSORIES

C10 C11 (Rigid and Spring)



Accessories C10 C11
(Rigid and Spring)

2 HOLES HERE.
ONLY WHEN CARRIER FITTED.

Accessories

Tools and
Sundries

Legshields
Electrical
Equipment

Numerical
Index

CLASSIC
BIKE SPARES

ACCESSORIES

C10 C11 (Rigid and Spring)

Plate Ref. Number.	Models.	Part No.	Description.	Number per set.
41	C10 C11 (rigid)	29-6918	Rear mudguard with fixed fittings	1
	C10 C11 (rigid)	29-6865	Rear mudguard with fixed fittings (up to 1952)	1
42	C10 C11 (rigid and spring)	29-9335	Saddle	1
43	C10 C11 (rigid and spring)	67-6851	Rear number plate rubber extrusion	1
44	C10 C11 (rigid and spring)	67-6830	Rear number plate complete	1
	C10 C11 (rigid and spring)	65-6825	Rear number plate (1951/52)	1
	C10 C11 (rigid)	29-6885	Rear number plate (1949/50)	1
45	C10 C11 (rigid)	2-2395	Carrier fixing bolt nut (required only when carrier is fitted)...	4
46	C10 C11 (rigid)	2-1462	Carrier fixing bolt washer (spring) (required only when carrier is fitted)	4
47	C10 C11 (rigid)	2-2580	Carrier fixing bolt washer (required only when carrier is fitted)	4
48	C10 C11 (rigid)	2-2395	Rear mudguard lifting handle and stay top bolt nut	2
49	C10 C11 (rigid)	2-1462	Rear mudguard lifting handle and stay top bolt washer (spring)	2
50	C10 C11 (rigid)	27-8560	Rear mudguard lifting handle and stay top bolt washer	2
51	C10 C11 (rigid)	29-6897	Rear mudguard lifting handle and stay complete	1
52	C10 C11 (rigid)	2-204	Rear mudguard bottom stay fixing bolt	2
53	C10 C11 (rigid)	29-6871	Rear mudguard bottom stay (right-hand)	1
54	C10 C11 (rigid)	15-447	Rear mudguard bottom stay fixing bolt nut	2
55	C10 C11 (rigid)	29-2975	Silencer complete	1
56	C10 C11 (rigid)	15-7161	Toolbox and chainstay bracket bolt	1
57	C10 C11 (rigid)	29-9140	Toolbox fixing bracket	1
58	C10 C11 (rigid)	2-525	Toolbox and chainstay bracket bolt washer	1
59	C10 C11 (rigid)	29-541	Toolbox and chainstay bracket bolt washer (shakeproof)	1
60	C10 C11 (rigid)	2-2395	Toolbox and chainstay bracket bolt nut	1
61	C10 C11 (rigid and spring)	29-541	Rear number plate fixing bolt washer (shakeproof)	4
62	C10 C11 (rigid and spring)	2-220	Rear number plate fixing bolt	4
63	C10 C11 (rigid)	29-6882	Rear mudguard bottom stay (left-hand)	1
64	C10 C11 (rigid)	1-5945	Carrier fixing bolt (required only when carrier is fitted)	4
65	C10 C11 (rigid)	2-1354	Lifting handle and stay top bolt	2
66	C10 C11 (rigid)	27-8560	Lifting handle and stay top bolt washer	2
67	C10 C11 (rigid)	2-2395	Toolbox and mudguard fixing bolt nut	2
68	C10 C11 (rigid)	29-541	Toolbox and mudguard fixing bolt washer (shakeproof)	2
69	C10 C11 (rigid)	2-525	Toolbox and mudguard fixing bolt washer	2
70	C10 C11 (rigid and spring)	29-9141	Toolbox complete	1
	C10 C11 (rigid)	29-9125	Toolbox complete (up to 1952)	1
71	C10 C11 (rigid and spring)	2-1027	Toolbox lid fixing screw nut	1
72	C10 C11 (rigid and spring)	29-9132	Toolbox lid fixing screw complete	1
73	C10 C11 (rigid and spring)	2-2395	Oil tank breather pipe clip bolt nut	1
74	C10 C11 (rigid and spring)	66-8340	Oil tank breather pipe clip	1
75	C10 C11 (rigid and spring)	2-204	Oil tank breather pipe clip bolt	1
76	C10 C11 (rigid and spring)	29-7949	Oil tank breather pipe extension	1
77	C10 C11 (rigid and spring)	65-8422	Oil tank breather pipe connection ferrule	1
78	C10 C11 (rigid and spring)	65-2060	Oil tank breather pipe connection (rubber)	1
79	C10 C11 (rigid and spring)	65-8422	Oil tank breather pipe connection ferrule	1
80	C10 C11 (rigid and spring)	2-100	Oil tank drain plug washer	1
81	C10 C11 (rigid and spring)	2-84	Oil tank drain plug	1
82	C10 C11 (rigid and spring)	29-7971	Oil feed pipe banjo union washer	1
83	C10 C11 (rigid and spring)	65-8422	Oil feed pipe connection ferrule	1
84	C10 C11 (rigid and spring)	65-2060	Oil feed pipe connection (rubber)	1
85	C10 C11 (rigid and spring)	65-8422	Oil feed pipe connection ferrule	1
86	C10 C11 (rigid and spring)	29-7994	Oil feed pipe complete (oil tank)	1
87	C10 C11 (rigid and spring)	29-7971	Oil feed pipe banjo union washer	1
88	C10 C11 (rigid and spring)	29-7962	Oil tank filter complete	1

ACCESSORIES

C10 C11 (Rigid and Spring)

Plate Ref. Number.	Models.	Part No.	Description.	Number per set.
1	C10 C11 (rigid and spring)	67-9087	Dual seat complete	1
2	C10 C11 (rigid and spring)	29-8760	Twist grip cable and cover complete	1
3	C10 C11 (rigid and spring)	65-8501	Throttle twist grip	1
4	C10 C11 (rigid and spring)	29-8812	Front brake control lever	1
5	C10 C11 (rigid and spring)	29-8813	Front brake control lever fixing screw	1
	C10 C11 (rigid and spring)	29-8818	Front brake control lever fixing screw locking washer	1
	C10 C11 (rigid and spring)	29-8814	Front brake control lever fixing screw nut	1
6	C10 C11 (rigid and spring)	29-8815	Front brake cable and cover complete	1
7	C10 C11 (rigid and spring)	29-8827	Clutch cable and cover complete	1
	C10 C11 (spring)	67-8681	Clutch cable and cover complete (4-speed gearbox)	1
8	C10 C11 (rigid and spring)	90-8506	Clutch and front brake ferrule	1
	C10 C11 (rigid and spring)	29-8813	Clutch control lever fixing screw	1
	C10 C11 (rigid and spring)	29-8818	Clutch control lever fixing screw locking washer	1
	C10 C11 (rigid and spring)	28-8814	Clutch control lever fixing screw nut	1
9	C10 C11 (rigid and spring)	29-8832	Clutch control lever	1
10	C10 C11 (rigid and spring)	65-8502	Dummy grip for left-hand bar	1
11	C10 C11 (rigid and spring)	90-4976	Handlebar complete	1
	C10 C11 (rigid and spring)	65-4960	Handlebar (1949)	1
	C10 C11 (rigid and spring)	29-4201	Handlebar (1950)	1
12	C10 C11 (rigid and spring)	29-7898	Petrol tank filler cap	1
13	C10 C11 (rigid and spring)	2-46	Petrol tank front support bolt nut	1
14	C10 C11 (rigid and spring)	66-4707	Petrol tank front support bolt washer (shakeproof)	1
15	C10 C11 (rigid and spring)	65-8326	Petrol tank front support bolt	1
16	C10 C11 (rigid and spring)	65-8209	Petrol tank badge complete (nearside)	1
	C10 C11 (rigid and spring)	65-8157	Petrol tank badge (nearside) (up to 1952)	1
	C10 C11 (rigid and spring)	65-8207	Petrol tank badge complete (offside)	1
	C10 C11 (rigid and spring)	65-8158	Petrol tank badge (offside) (up to 1952)	1
17	C10 C11 (rigid and spring)	29-7910	Petrol tank badge (1949/51)	2
	C10 C11 (rigid and spring)	65-8217	Petrol tank badge fixing screw washer	2
18	C10 C11 (rigid and spring)	65-8317	Petrol tank badge fixing screw	2
19	C10 C11 (rigid and spring)	29-4661	Battery carrier strap bolt	1
20	C10 C11 (rigid and spring)	29-4662	Battery carrier strap bolt saddle washer	1
21	C10 C11 (rigid and spring)	29-4665	Battery locating strip complete	1
22	C10 C11 (rigid and spring)	29-4657	Battery carrier strap	1
23	C10 C11 (rigid and spring)	29-4664	Battery strap hinge pin	1
24	C10 C11 (rigid and spring)	65-2352	Battery carrier swivel block (plain)	1
25	C10 C11 (rigid and spring)	65-8315	Petrol tank knee grip (left-hand)	1
	C10 C11 (rigid and spring)	65-8314	Petrol tank knee grip (right-hand)	1
26	C10 C11 (rigid and spring)	2-79	Petrol tank knee grip plate screw	4

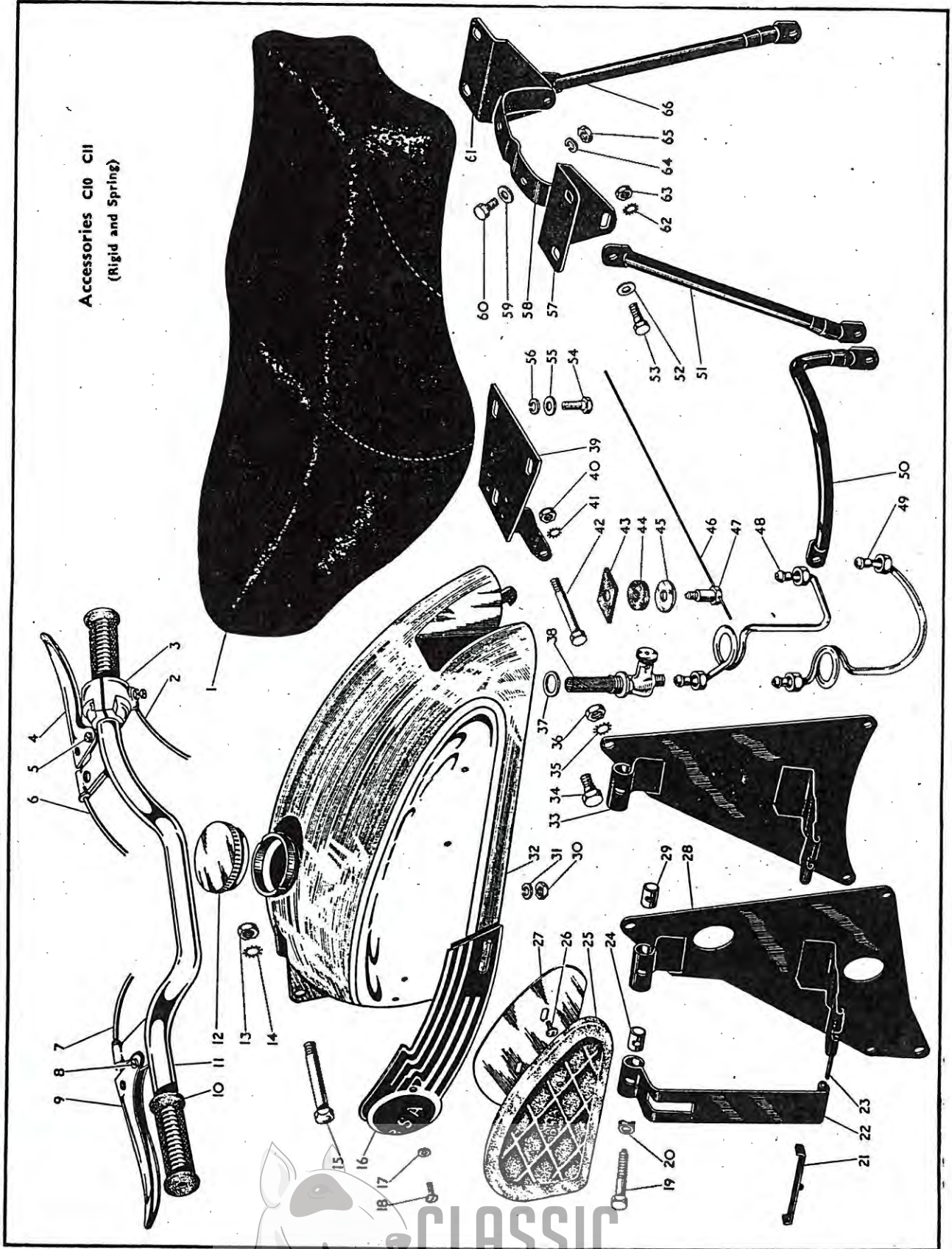


Tools and Sundries

Leghields Electrical Equipment

Numerical Index

ACCESSORIES
C10 C11 (Rigid and Spring)



Accessories C10 C11
(Rigid and Spring)

ACCESSORIES

C10 C11 (Rigid and Spring)

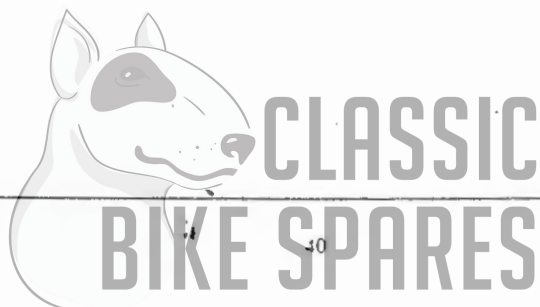
Plate Ref. Number.	Models.	Part No.	Description.	Number per set.
27	C10 C11 (rigid and spring)	29-7868	Knee grip plate (left-hand)	1
	C10 C11 (rigid and spring)	29-7869	Knee grip plate (right-hand)	1
28	C10 C11 (rigid and spring)	29-4655	Battery bracket complete	1
29	C10 C11 (rigid and spring)	65-2353	Battery carrier swivel block (tapped)	1
30	C10 C11 (rigid and spring)	1-6032	Petrol tank coil stud nut	2
31	C10 C11 (rigid and spring)	24-978	Petrol tank coil stud washer (spring)	2
32	C10 C11 (rigid and spring)	29-7939	Petrol tank	1
33	C10 C11 (spring)	29-4671	Battery bracket complete (4-speed gearbox)	1
34	C10 C11 (spring)	65-5663	Battery bracket front fixing bolt (4-speed gearbox)	1
35	C10 C11 (spring)	66-4707	Battery carrier front fixing bolt washer (shakeproof) (4-speed gearbox).	1
26	C10 C11 (spring)	2-46	Battery carrier front fixing bolt nut (4-speed gearbox)	1
37	C10 C11 (rigid and spring)	2-930	Petrol tap washer	1
38	C10 C11 (rigid and spring)	67-8092	Petrol tap	1
39	C10 C11 (rigid and spring)	29-9361	Dual seat front support bracket complete	1
40	C10 C11 (rigid and spring)	2-49	Dual seat front fixing bolt nut	1
41	C10 C11 (rigid and spring)	36-382	Dual seat front fixing bolt washer (shakeproof)	1
42	C10 C11 (rigid and spring)	33-4089	Dual seat front fixing bolt	1
43	C10 C11 (rigid and spring)	65-8032	Petrol tank rear support bolt rubber (top)	2
44	C10 C11 (rigid and spring)	65-8033	Petrol tank rear support bolt rubber (bottom)	2
45	C10 C11 (rigid and spring)	30-660	Petrol tank rear fixing bolt washer	2
46	C10 C11 (rigid and spring)	65-8038	Petrol tank rear fixing bolt wire	1
47	C10 C11 (rigid and spring)	65-8034	Petrol tank rear fixing bolt	2
48	C10 (rigid and spring)	29-7932	Petrol pipe complete	1
49	C11 (rigid and spring)	29-7740	Petrol pipe complete	1
50	C10 C11 (spring)	29-6911	Lifting handle complete	1
51	C10 C11 (rigid)	29-9368	Dual seat rear support stay complete (nearside)	1
52	C10 C11 (rigid and spring)	2-923	Dual seat rear support stay fixing bolt washer (plain)	2
53	C10 C11 (rigid and spring)	2-1934	Dual seat rear support stay fixing bolt	2
54	C10 C11 (rigid and spring)	2-129	Dual seat base fixing bolt	7
55	C10 C11 (rigid and spring)	2-923	Dual seat base fixing bolt washer (plain)	7
56	C10 C11 (rigid and spring)	35-33	Dual seat base fixing bolt washer (spring)	7
57	C10 C11 (rigid and spring)	29-9365	Dual seat rear support bracket (nearside)	1
58	C10 C11 (rigid)	29-9366	Dual seat rear support strap	1
59	C10 C11 (rigid)	27-8560	Dual seat rear support strap fixing bolt washer (plain)	2
60	C10 C11 (rigid)	2-204	Dual seat rear support strap fixing bolt	2
61	C10 C11 (rigid and spring)	29-9364	Dual seat rear support bracket (offside)	1
62	C10 C11 (rigid and spring)	36-382	Dual seat rear support stay fixing bolt washer (shakeproof)	2
63	C10 C11 (rigid and spring)	2-49	Dual seat rear support stay fixing bolt nut	2
64	C10 C11 (rigid)	2-1462	Dual seat rear support strap fixing bolt washer (spring)	2
65	C10 C11 (rigid)	2-2395	Dual seat rear support strap fixing bolt nut	2
66	C10 C11 (rigid)	29-9367	Dual seat rear support stay (offside)	1



ACCESSORIES

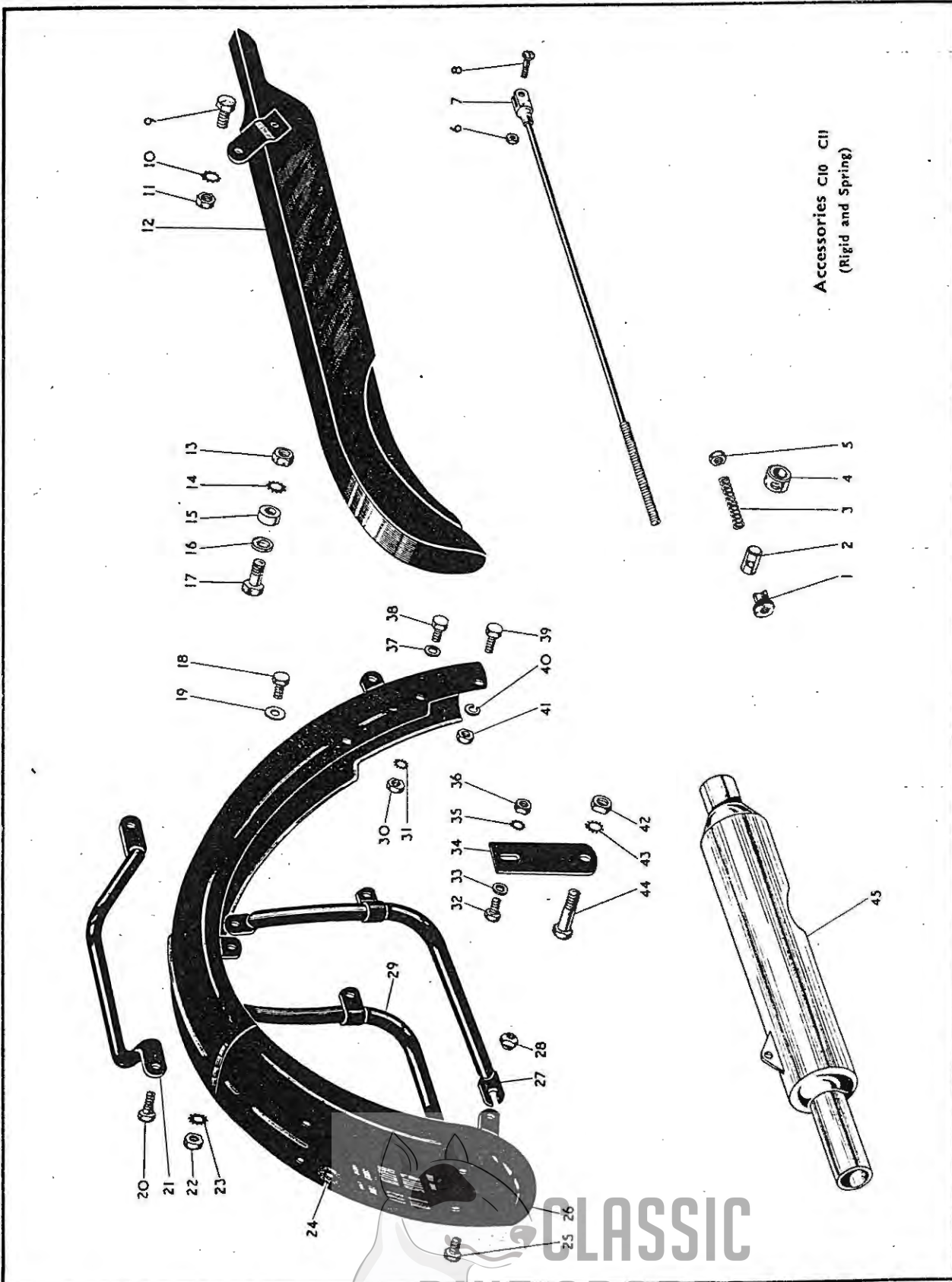
C10 C11 (Rigid and Spring)

Plate Ref. Number.	Models.	Part No.	Description.	Number per set.
1	C10 C11 (rigid and spring)	29-7368	Rear brake rod adjuster nut	1
2	C10 C11 (rigid)	65-6274	Rear brake rod swivel pin	1
3	C10 C11 (rigid and spring)	15-1312	Rear brake rod spring	1
4	C10 C11 (rigid)	29-7328	Rear brake rod swivel pin	1
5	C10 C11 (rigid and spring)	2-2395	Rear brake rod adjusting spring nut	1
6	C10 C11 (rigid and spring)	2-443	Rear brake rod toggle end screw nut	1
7	C10 C11 (rigid and spring)	29-7365	Rear brake rod complete	1
8	C10 C11 (rigid and spring)	2-510	Rear brake rod toggle end screw	1
9	C10 C11 (spring)	2-129	Rear chainguard strap top bolt	1
10	C10 C11 (spring)	36-382	Rear chainguard strap top bolt washer (shakeproof)	1
11	C10 C11 (spring)	2-49	Rear chainguard strap top bolt nut	1
12	C10 C11 (spring)	29-8330	Rear chainguard complete	1
13	C10 C11 (spring)	2-49	Rear chainguard bottom strap bolt nut	1
14	C10 C11 (spring)	36-382	Rear chainguard bottom strap bolt washer (shakeproof)	1
15	C10 C11 (spring)	66-8347	Rear chainguard bottom strap bolt distance piece	1
16	C10 C11 (spring)	2-923	Rear chainguard bottom strap bolt washer (plain)	1
17	C10 C11 (spring)	32-194	Rear chainguard bottom strap bolt	1
18	C10 C11 (spring)	15-7354	Rear mudguard support top bolt (offside)	1
19	C10 C11 (spring)	2-923	Rear mudguard support top bolt washer (plain)	2
20	C10 C11 (spring)	2-1934	Rear mudguard support top bolt (nearside)	1
21	C10 C11 (spring)	29-6910	Lifting handle (up to 1952)	1
22	C10 C11 (spring)	2-49	Rear mudguard support top bolt nut	2
23	C10 C11 (spring)	36-382	Rear mudguard support top bolt washer (shakeproof)	2
24	C10 C11 (spring)	67-6839	Rear mudguard tail lamp wiring grommet (rubber)	2
25	C10 C11 (spring)	2-204	Rear mudguard support bottom bolt	2
26	C10 C11 (spring)	29-6916	Rear mudguard with fixed fittings	1
	C10 C11 (spring)	29-6901	Rear mudguard with fixed fittings (up to 1952)	1
27	C10 C11 (spring)	29-6902	Rear mudguard support (offside)	1
28	C10 C11 (spring)	15-447	Rear mudguard support bottom bolt nut	2
29	C10 C11 (spring)	29-6904	Rear mudguard support (nearside)	1
30	C10 C11 (spring)	2-2395	Toolbox and mudguard fixing bolt nut	2
31	C10 C11 (spring)	29-541	Toolbox and mudguard fixing bolt washer (shakeproof)	2
32	C10 C11 (spring)	2-220	Toolbox to bracket fixing bolt	1
33	C10 C11 (spring)	2-525	Toolbox to bracket fixing bolt washer (plain)	1
34	C10 C11 (spring)	29-9143	Toolbox fixing bracket	1
35	C10 C11 (spring)	29-541	Toolbox to bracket fixing bolt washer (shakeproof)	1
36	C10 C11 (spring)	2-2395	Toolbox to bracket fixing bolt nut	1
37	C10 C11 (spring)	2-525	Toolbox and mudguard fixing bolt washer (plain)	2
38	C10 C11 (spring)	2-220	Toolbox and mudguard fixing bolt	2
39	C10 C11 (rigid and spring)	2-1354	Rear mudguard bottom front fixing bolt (offside)	1
40	C10 C11 (rigid and spring)	24-978	Rear mudguard bottom front fixing bolt washer (plain) (offside)	1
41	C10 C11 (rigid and spring)	2-2395	Rear mudguard bottom front fixing bolt nut (offside)	1
42	C10 C11 (spring)	2-46	Toolbox bracket fixing bolt nut	1
43	C10 C11 (spring)	66-4707	Toolbox bracket fixing bolt washer (shakeproof)	1
44	C10 C11 (spring)	3-1088	Toolbox bracket fixing bolt	1
45	C10 C11 (spring)	29-2998	Silencer complete	1



ACCESSORIES

C10 C11 (Rigid and Spring)



Accessories C10 C11
(Rigid and Spring)

CLASSIC
BIKE SPARES

Tools and Sundries

Legshields
Electrical
Equipment

Numerical
Index

Plate 14

TOOLS and SUNDRIES

C10 C11

Plate Ref. Number.	Models.	Part No.	Description.	Number per set.
1	C10 C11	65-9115	Box spanner	1
2	C10 C11	65-9133	Tappet adjusting spanner	1
3	C10 C11	29-9254	Combination spanner	1
4	C10 C11	66-9132	Sparking plug spanner	1
5	C10 C11	65-9246	Carburetter and tappet adjusting spanner	1
6	C10 C11	65-9243	Front fork top nut and gland nut spanner	1
7	C10 C11	66-9036	Box spanner	1
8	C10 C11	65-9170	Pillion seat	1
9	C10 C11	35-7600	Distributor screwdriver	1
10	C10 C11	15-7161	Pillion seat bolt	4
11	C10 C11	2-1462	Pillion seat bolt washer (spring)	4
12	C10 C11	2-2395	Pillion seat bolt nut	4
13	C10 C11	28-4265	Grease gun	1
14	C10 C11	15-832	Box spanner	1
15	C10 C11	29-9252	Tyre lever	1
16	C10	1-3051	Double ended spanner	1
17	C11	65-9240	Valve grinding tool	1
18	C11	67-8025	Double ended spanner	1
19	C10 C11	27-8958	Inflator	1
20	C10 C11	29-9253	Tommy bar	1
21	C10 C11	29-9256	Rear hub spindle nut spanner (C10 C11 spring frame only)	1
22	C10 C11	65-9205	Toolbag	1
23	C10	65-9132	Tappet adjusting spanner	1
24	C10 C11	65-9130	Tappet feelers	1
25	C10 C11	29-9255	Front hub cone spanner	1

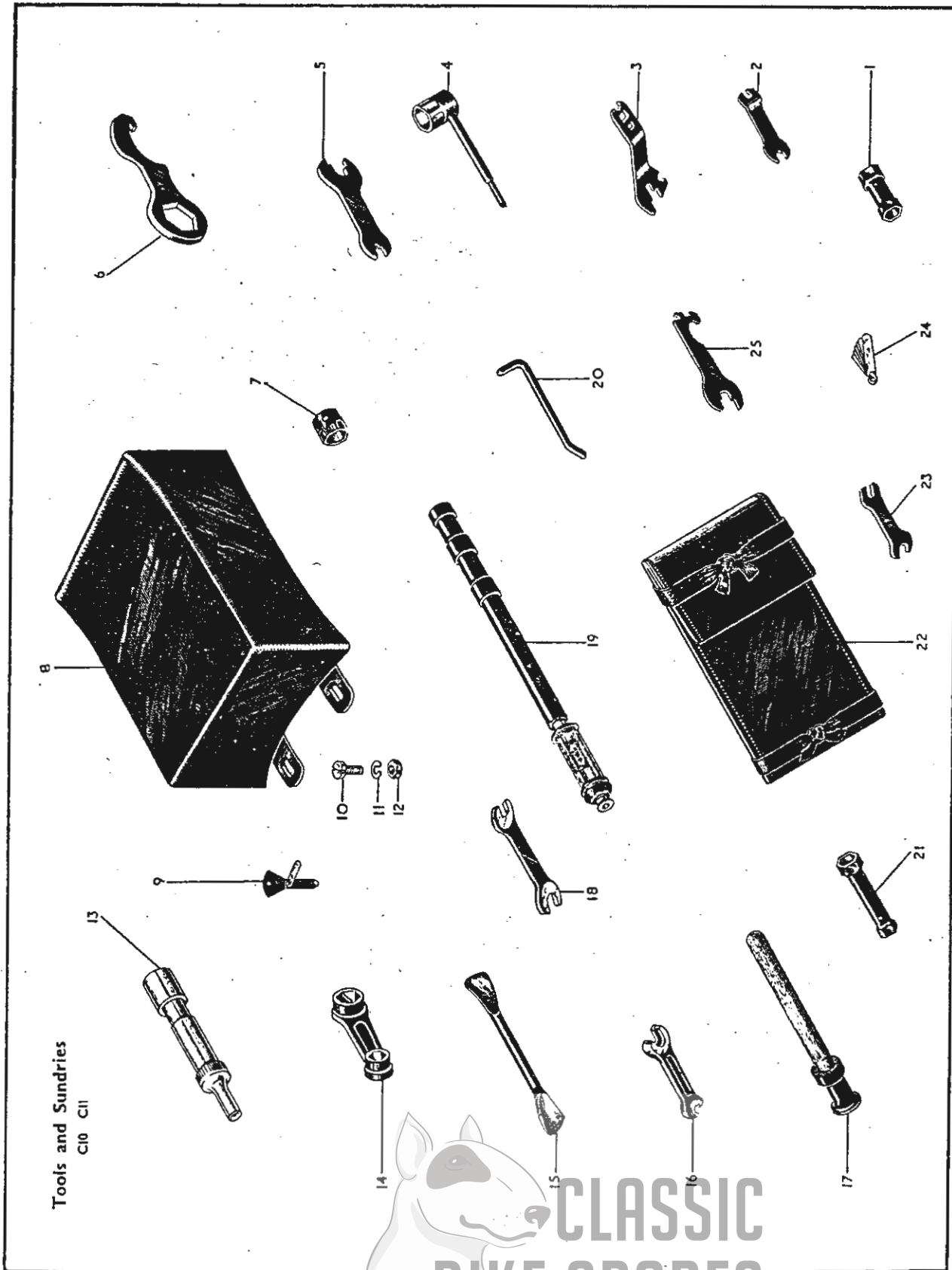
Plate 15

LEGSHIELDS

C10 C11

Plate Ref. Number	Models.	Part No.	Description.	Number per set.
—	C10 C11	29-7605	Legshields complete	1
1	C10 C11	29-541	Legshield top support bar lockwasher (shakeproof)	2
2	C10 C11	27-7979	Support bar and frame clip nut	2
3	C10 C11	29-7609	Legshield top support bar	1
4	C10 C11	2-510	Legshield top support bar screw	2
5	C10 C11	2-2395	Legshield top support bar nut	2
6	C10 C11	29-7614	Legshield (right-hand)	1
7	C10 C11	65-7286	Top support bar and frame tube clip (right-hand)	1
8	C10 C11	65-7287	Top support bar and frame tube clip (left-hand)	1
9	C10 C11	29-7613	Legshield (left-hand)	1
10	C10 C11	29-7611	Distributor shield	1
11	C10 C11	29-7607	Bottom bracket (offside)	1
12	C10 C11	29-4101	Bottom bracket and crankcase stud	1
13	C10 C11	29-7608	Bottom bracket (nearside)	1
14	C10 C11	24-8784	Bottom bracket and crankcase stud washer (spring)	2
15	C10 C11	2-49	Bottom bracket and crankcase stud nut	2
16	C10 C11	2-2395	Legshield bottom fixing screw nut	6
17	C10 C11	29-7606	Bottom support strip	1
18	C10 C11	29-541	Legshield bottom fixing screw washer (shakeproof)	6
19	C10 C11	2-1354	Bottom bracket and support strip bolt	2
20	C10 C11	2-1374	Legshield bottom fixing bolt washer (plain)	4
21	C10 C11	24-225	Legshield bottom fixing bolt	4
22	C10 C11	2-2395	Distributor shield fixing screw nut	2
23	C10 C11	29-541	Distributor shield fixing screw washer (shakeproof)	2
24	C10 C11	2-77	Distributor shield fixing screw	2

TOOLS and SUNDRIES
C10 C11

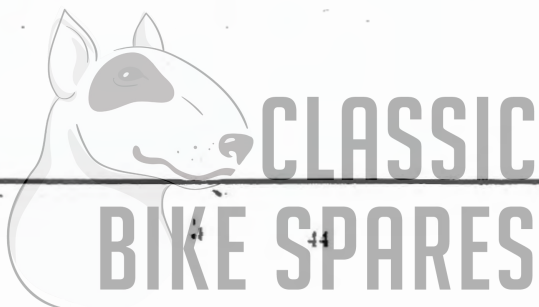
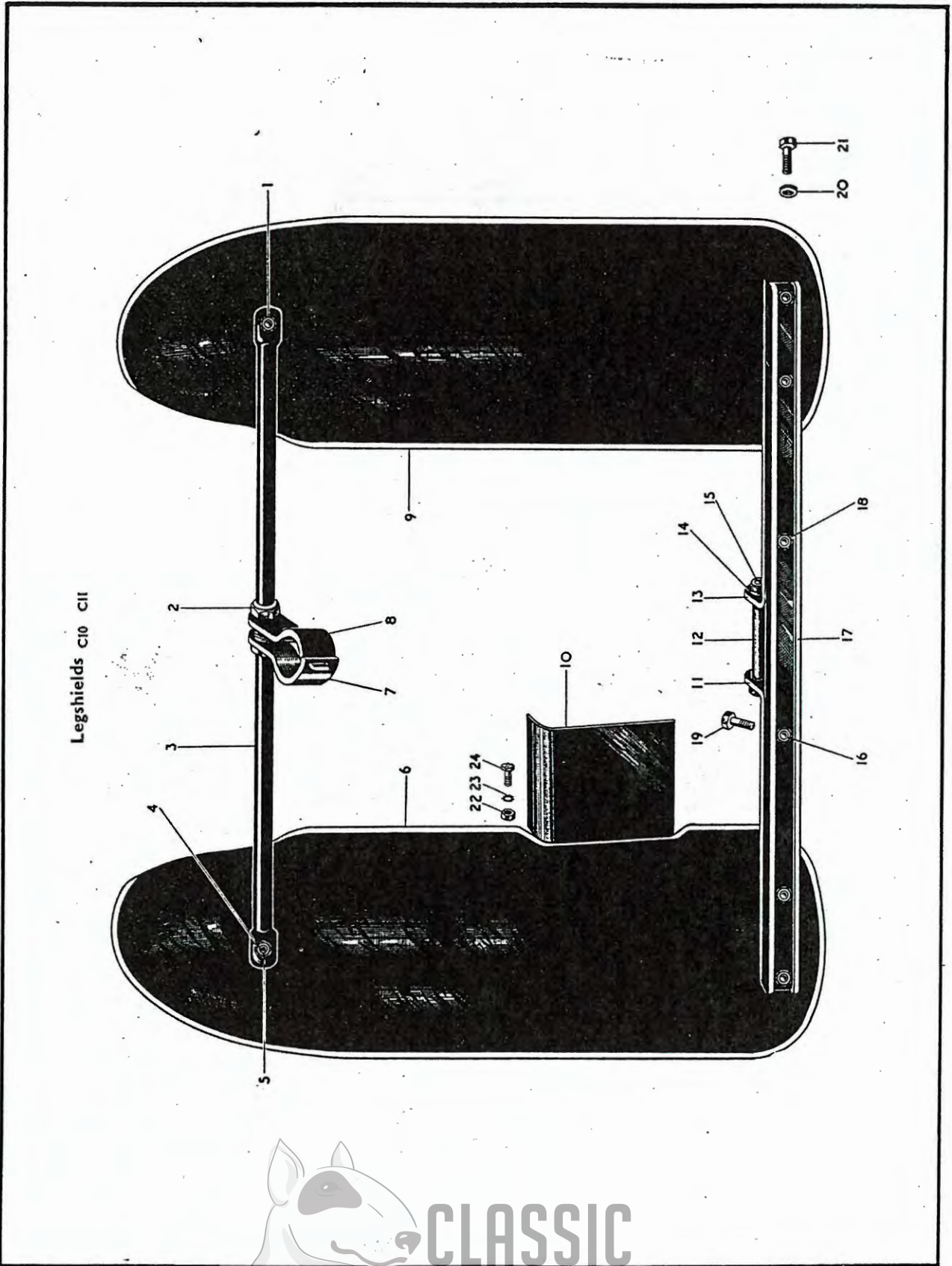


Tools and Sundries
C10 C11

CLASSIC
BIKE SPARES

Tools and Sundries
Legshields Electrical Equipment
Numerical Index

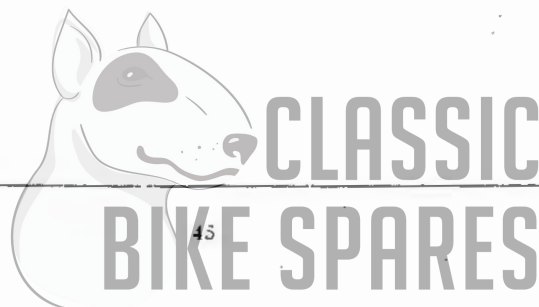
LEGSHIELDS
C10 C11



ELECTRICAL EQUIPMENT

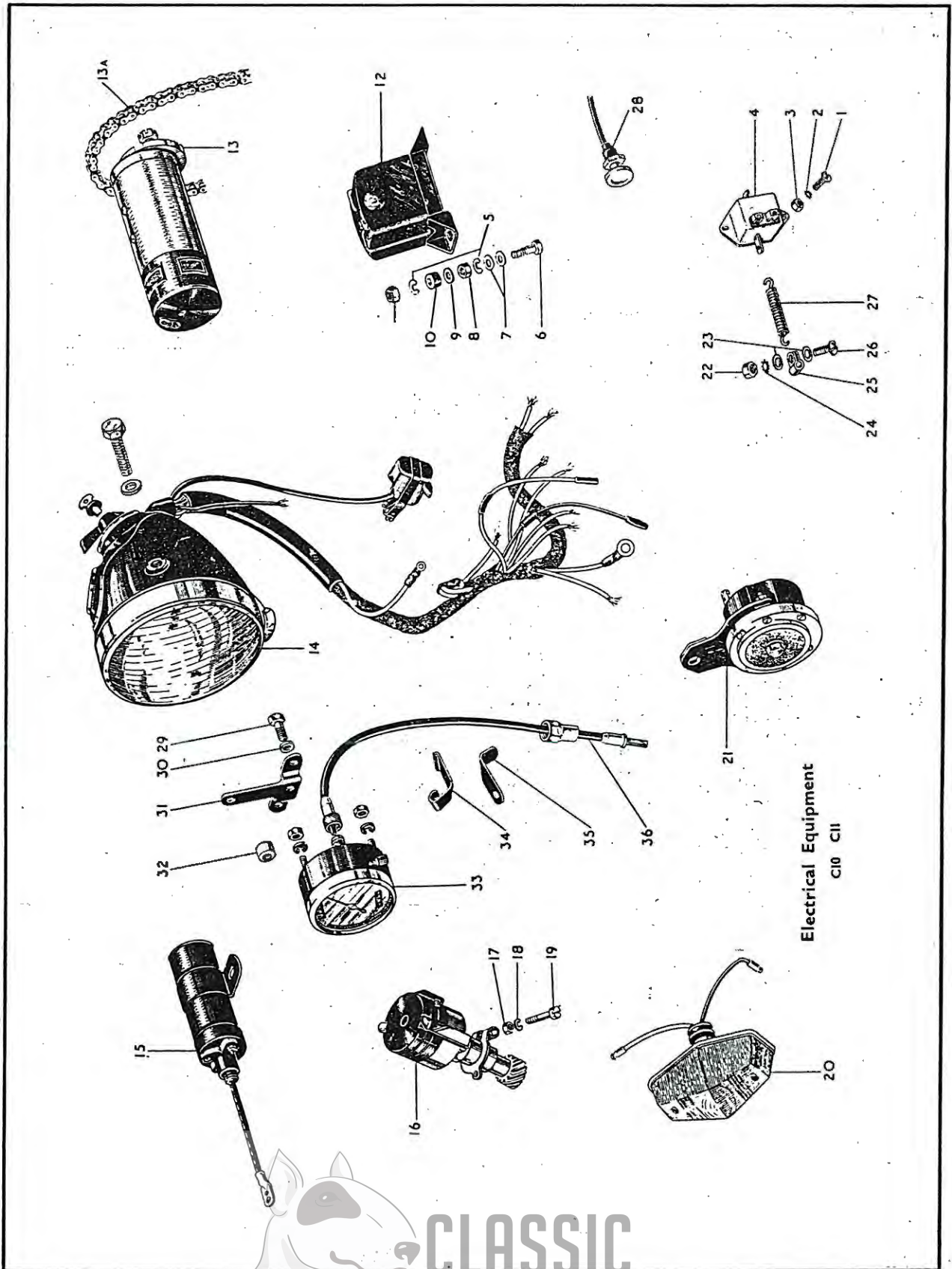
C10 C11

Plate Ref. Number.	Models.	Part No.	Description.	Number per set.
1	C10 C11	24-7065	Stop lamp switch screw	2
2	C10 C11	29-3319	Stop lamp switch screw washer (shakeproof)	2
3	C10 C11	2-47	Stop lamp switch screw nut	2
4	C10 C11	19-1106	Stop lamp switch	1
5	C10 C11	24-8784	Voltage control washer	4
6	C10 C11	2-14	Voltage control support bolt	2
7	C10 C11	27-8560	Voltage control support washer	4
8	C10 C11	2-443	Voltage control locknut	2
9	C10 C11	27-8560	Voltage control support washer	2
10	C10 C11	15-7383	Voltage control support washer (rubber)	2
11	C10 C11	2-2395	Voltage control nut	2
12	C10 C11	19-1515	Regulator	2
13	C10 C11	19-1207	Dynamo	1
13A	C10 C11	29-2199	Dynamo driving chain	1
14	C10 C11	19-517	Headlamp and harness	1
	C10 C11	19-505	Headlamp (1949/52)	1
15	C10 C11	89-9010	Coil	1
16	C10 C11	19-1209	Distributor	1
17	C10 C11	177074	Distributor clamp nut	1
18	C10 C11	185051	Distributor clamp washer	1
19	C10 C11	112044	Distributor clamp screw	1
20	C10 C11	19-1000	Stop tail lamp	1
	C10 C11	19-1003	Tail lamp (1949/50)	1
	C10 C11	19-1001	Tail lamp (1951/2)	1
21	C10 C11	19-2016	Electric horn	1
	C10 C11	19-2004	Electric Horn (1949/52)	1
22	C10 C11	2-1588	Operating spring clip bolt nut	1
23	C10 C11	2-1096	Stop lamp switch clip washer	2
24	C10 C11	29-545	Operating spring clip bolt washer (shakeproof)	1
25	C10 C11	65-9228	Operating spring clip	1
26	C10 C11	2-1584	Operating spring clip bolt	1
27	C10 C11	65-9231	Stop lamp switch operating spring	1
28	C10 C11	19-2017	Electric horn push	1
	C10 C11	19-2012	Horn push (1949/52)	1
29	C10 C11	65-9179	Speedometer bracket bolt	2
30	C10 C11	2-1374	Speedometer mounting bolt washer (plain)	2
31	C10 C11	65-9111	Speedometer bracket	1
32	C10 C11	15-7383	Speedometer mounting rubber	4
33	C10 C11	19-2105	Speedometer (m.p.h.)	1
	C10 C11	19-2116	Speedometer (k.p.h.)	1
34	C10 C11	67-9039	Speedometer cable clip (4-speed gearbox) (engine bolt)	1
35	C10 C11	29-9331	Speedometer cable clip (4-speed gearbox) (head lug)	1
36	C10 C11	29-9326	Speedometer cable (3-speed gearbox)	1
	C10 C11	67-9057	Speedometer cable (4-speed gearbox)	1



Legshields
Electrical
Equipment

Numerical
Index



Electrical Equipment
C10 C11

STANDARD BOLTS. All Bolts are C.E.I. unless otherwise stated.

Part No.	Length under Head.	Thickness of Head.	Length of Thread.	Across Flats.	Diameter.
2-14	1.132"	3/16"	13/16"	.440" Hex.	1/4"
2-204	1/2"	3/16"	1/2"	.440 Hex.	1/4"
2-220	3/8"	3/16"	3/8"	.440" Hex.	1/4"
2-1354	.641"	.187"	.641"	.440" Hex.	1/4"
2-1402	7/8"	1/8"	3/8"	.440" Hex.	1/4"
2-2273	7/16"	5/32"	3/8"	.440" Hex.	1/4"
24-225	.750"	.187"	3/8"	.440" Hex.	1/4"
1-5089	.625"	.187"	.625"	.525" Hex.	5/16"
2-129	.750"	.250"	.625"	.440" Hex.	5/16"
2-1934	.750"	.156"	.625"	.440" Hex.	5/16"
2-6026	1.187"	.156"	.625"	.440" Hex.	5/16"
15-480	1.109"	.250"	.781"	.525" Hex.	5/16"
15-1355	1.500"	.218"	.625"	.525" Hex.	5/16"
15-7354	.625"	.156"	.625"	.440" Hex.	5/16"
27-6311	.750"	.125"	.625"	.440" Hex.	5/16"
28-2338	.718"	.218"	.687"	.525" Hex.	5/16"
24-649	.877"	.187"	.877"	.594" Hex.	3/8"
65-4185	2.687"	.250"	.750"	.504" Hex.	3/8"

All Bolts are C.E.I. (Screwdriver slotted) unless otherwise stated.

Part No.	Length under Head.	Thickness of Head.	Length of Thread.	Across Head.	Diameter.
1-4606	.500"	.125"	.500"	.312"	3/16"
2-360	.406"	.078"	.406"	.312"	3/16"
2-498	.312"	.062"	.312"	.312"	3/16" Whit.
2-1309	.343"	.062"	.343"	.312"	3/16"
2-2582	.343"	.125"	.343"	.250"	3/16" Whit.
24-7065	.250"	.062"	.250"	.312"	3/16"
2-77	.312"	.062"	.312"	.375"	1/4"
2-79	.500"	.109"	.500"	.375"	1/4"
2-510	.656"	.093"	.375"	.375"	1/4"
2-1500	.687"	.109"	.375"	.375"	1/4"
2-2210	.718"	.062"	.562"	.562"	1/4"
2-2378	.656"	.109"	.656"	.375"	1/4"
15-7161	.500"	.125"	.312"	.500"	1/4"
2-2980	1.25"	.93"	.625"	.562"	5/16"

STANDARD NUTS. All Nuts are C.E.I. unless otherwise stated.

Part No.	Across Flats.	Thickness.	Size.	Part No.	Across Flats.	Thickness.	Size.
1-4616	.340" Hex.	.162"	3/16"	2-1813	.594" Hex.	.218"	3/8"
2-47	.312" Hex.	.140"	3/16"	3-720	.594 Hex.	.187"	3/8"
2-1588	.255" Hex.	.110"	3/16"	24-5161	.594" Hex.	.343"	3/8"
15-8147	.340" Hex.	.125"	3/16"	24-5764	.782" Hex.	.312"	3/8"
25-7151	.340" Hex.	.187"	3/16"	2-440	.594" Hex.	.312"	7/16"
1-6032	.340" Hex.	3/16"	1/4"	2-933	.525" Hex.	.375"	7/16"
2-51	.440" Hex.	.250"	1/4"	2-1925	.782" Hex.	.375"	7/16"
2-53	.440" Hex.	.109"	1/4" Whit.	15-152	.592" Hex.	.406"	7/16"
2-443	.440" Hex.	.109"	1/4"	15-541	.782" Hex.	.291"	7/16"
2-1027	.340" Hex.	1/8"	1/4"	24-5860	.594" Hex.	.187"	7/16"
2-2395	.440" Hex.	.187"	1/4"	25-4325	.919" Hex.	.540"	7/16"
2-49	.525" Hex.	.218"	5/16"	2-52	.919" Hex.	.406"	1/2"
2-833	.440" Hex.	.343"	5/16"	2-124	.782" Hex.	.203"	1/2"
2-1616	.440" Hex.	.125"	5/16"	24-7000	.782" Hex.	.250"	1/2"
15-5196	.525" Hex.	.281"	5/16"	27-6716	.782" Hex.	.187"	1/2"
15-6524	.525" Hex.	.175"	5/16"	2-835	.919" Hex.	.375"	9/16"
24-563	.440" Hex.	.187"	5/16"	15-1453	.782" Hex.	.218"	9/16"
24-6040	.525" Hex.	.156"	5/16"	24-255	.919" Hex.	.187"	9/16"
1-1706	.594" Hex.	.250"	3/8"	28-53	.782" Hex.	.344"	9/16"
2-46	.594" Hex.	.312"	3/8"				

STANDARD WASHERS (Plain).

Part No.	Outside Dia.	Inside Dia.	Thickness.	Part No.	Outside Dia.	Inside Dia.	Thickness.
1-1804	.680"	.385"	.072"	2-2580	.500"	.275"	.064"
2-130	.687"	.380"	.080"	3-3525	.562"	.218"	.048"
2-370	.625"	.317"	.156"	15-39	.843"	.505"	.064"
2-525	.500"	.255"	.048"	15-431	.750"	.442"	.064"
2-861	.750"	.380"	.081"	15-5155	.525"	.328"	.048"
2-923	.625"	.317"	.062"	24-594	.937"	.505"	.092"
2-1096	.375"	.192"	.044"	24-7911	.875"	.380"	.156"
2-1291	.750"	.522"	.080"	25-7180	1.00"	.281"	.048"
2-1374	.656"	.255"	.080"	26-9461	.562"	.203"	.048"
2-1945	.875"	.442"	.064"	27-5676	1.00"	.380"	.092"
2-2138	.380"	.750"	.064"	27-8560	.625"	.255"	.048"

STANDARD WASHERS (Spring).

Part No.	Outer Dia.	Inside Dia.	Thickness.	Part No.	Outer Dia.	Inside Dia.	Thickness.
2-522	.750"	.390"	.056"	15-716	.937"	.453"	.064"
2-995	.656"	.380"	.040" double	24-978	.437"	.255"	.040"
2-1462	.593"	.255"	.040"	24-6035	.593"	.317"	.040" double
2-1967	.875"	.440"	.064"	27-6043	.750"	.437"	.046" double
2-2903	.562"	.406"	.062"	24-8784	.625"	.315"	.040"
3-110	.441"	.281"	.080"	35-33	.500"	.343"	.080"
3-111	.614"	.406"	.104"				

STANDARD WASHERS (Shakeproof).

Part No.	Outer Diameter.	Inside Diameter.	Part No.	Outer Diameter.	Inside Diameter.
29-541	1/2"	1/4"	36-399	11/16"	3/8"
29-3319	3/8"	3/16"	65-595	7/8"	1/2"
36-341	9/16"	5/16"	66-4707	11/16"	3/8"
36-382	9/16"	5/16"	66-4708	3/4"	7/16"

TRANSMISSION CHAINS.

Rigid Frame.

Front	24-8931	1/2" x .305" x 69 pitches.
Rear	65-9188	1/2" x .305" x 104 pitches.
Dynamo Chain	29-2199	8mm., 5mm. diameter roller, 48 pitches.

Spring Frame.

Front	24-8931	1/2" x .305" x 69 pitches.
Rear	65-9184	1/2" x .305" x 107 pitches.
Dynamo Chain	29-2199	8mm., 5mm. diameter roller, 48 pitches.

