

20-10144C



REPLACEMENT PARTS LIST

A65 LIGHTNING
A65 FIREBIRD SCRAMBLER
A65 THUNDERBOLT
A50 ROYAL STAR

FROM ENGINE NUMBERS & FRAME NUMBERS

A65LC - 11101
A65FC - 11101
A65TC - 11101
A50RC - 11101

Catalogue Number 00-5145

 CLASSIC
BIKE SPARES

1969

British Only

MOTORCYCLES AND PARTS INC.

32451 PARK LANE
GARDEN CITY, MI 48135 USA

PHONE ORDER HOURS:
MONDAY THRU FRIDAY 10-6 EST

Fax or email 24 hours a day!

RETAIL: 734-421-0303
WHOLESALE: 734-525-1980
FAX: 734-422-9253
EMAIL: info@britishonly.com
WEBSITE: britishonly.com

THE BIGGEST!

ENGINE REBUILDING PARTS
GASKETS-SEALS-BEARINGS
BUSHINGS-PISTONS-RINGS
CLUTCHES-TUNE UP PARTS
SPEED EQUIPMENT

THE BEST!

STOCK AND CUSTOM PARTS
SEATS-HANDLEBARS-CHAINS
TIRES-TUBES-EXHAUST PIPES
MUFFLERS-GAS TANKS-FENDERS
RESTORATION PARTS

THE ONLY!

WORLD'S LARGEST SELECTION OF FACTORY ORIGINAL NEW AND USED PARTS
45,000 SQ. FT. OF MOTORCYCLE PARTS & ACCESSORIES FROM 1911 TO 1984 FOR ALL BRITISH MAKES!
CASH FOR ALL BRITISH BIKES, PARTS AND LITERATURE

CALL FOR OUR FREE 200
PAGE CATALOG!

OVERSEAS CUSTOMERS PLEASE SEND \$10.00 FOR AIR POST

1-800-BRT-ONLY

OR

1-800-278-6659

Visit our ever expanding website!

www.britishonly.com

- AMAL
- HEPOLITE
- SMITHS
- LUCAS
- GIRLING
- MORGO
- DUNLOP
- AVON
- RENOLD
- ARMSTRONG
- ROWE
- BOOKSTORE

SPECIALIZING IN

TRIUMPH

Norton

BSA

PARTS
SHIPPED
WORLDWIDE!



gearheadauction.com

promises to be the best mechanical site on the World Wide Web! We have internet experience going back to 1992 and have been involved in motorcycle auctions since 1989.

We know what we are doing!

Buy & sell items with speed, ease, value and selection!

ANYTHING AND EVERYTHING
MOTORCYCLE - PERSONAL
WATERCRAFT - SNOWMOBILE - ATV
APPAREL-MEMORABILIA-PARTS

gearheadauction.com

all things mechanical!

**American
British
Japanese
European**

BIKE SPARES

CATALOGUE OF



FOR

A65 LIGHTNING

A65 FIREBIRD SCRAMBLER

A65 THUNDERBOLT

A50 ROYAL STAR

ISSUED BY

B.S.A. MOTOR CYCLES LTD.

Service Department, Armoury Road,
Birmingham 11

TELEPHONE 021-772-2381

TELEGRAMS "SELMOTO BIRMINGHAM"

B.S.A. MOTOR CYCLES LTD.

Registered Offices and Works: ARMOURY ROAD, BIRMINGHAM 11

Telephone: 021-772-2381

Telegrams and Cables: "SELMOTO BIRMINGHAM"

Contractors to Her Majesty's Government, the War Office, the Admiralty, the Post Office, the Colonial and Foreign Governments

Publication Reference 00-5145 August, 1968.

Printed in England by B.S.A. Press



Please Note!

Replacement parts or accessories must be of B.S.A. origin or as approved by B.S.A. Motor Cycles Ltd.

In this respect your attention is drawn to the Terms and Conditions of B.S.A. Guarantee.



PISTON CHART

Model	Ratio	Bore Size	Piston Complete	Compression Ring	Scraper Ring
A50	9.0	Standard	68-434	68-296 68-354 (taper)	68-299
A50	9.0	+ 1/2 mm.	68-436	68-297 68-355 (taper)	68-300
A50	9.0	+ 1 mm.	68-438	68-298 68-356 (taper)	68-301
A65	7.5	Standard	68-819	68-256 68-357 (taper)	68-259
A65	7.5	+ 1/2 mm.	68-820	68-257 68-358 (taper)	68-260
A65	7.5	+ 1 mm.	68-821	68-258 68-359 (taper)	68-261
A65	9.0	Standard	68-906	68-256 68-357 (taper)	68-259
A65	9.0	+ 1/2 mm.	68-908	68-257 68-358 (taper)	68-260
A65	9.0	+ 1 mm.	68-910	68-258 68-359 (taper)	68-261



CARBURETTERS AND SETTINGS

Amal Ltd., Holdford Road, Witton, Birmingham, England.

Model	B.S.A. Number	Amal Number	Main Jet	Pilot Jet	Throttle Slide	Needle Jet	Needle Position
A65 Lightning (left-hand)	*19-2405	L.930-22	190	20	2½	.106	2
A65 Lightning (right-hand)	*19-2404	R.930-21	190	20	2½	.106	2
A65 Firebird (left-hand)	*19-2413	L.930-25	190	25	2½	.106	3
A65 Firebird (right-hand)	*19-2412	R.930-24	190	25	2½	.106	3
A65 Thunderbolt	19-2406	R.928-2	230	20	3½	.106	1
A50 Royal Star	19-2407	R.626-7	200	25	3½	.106	2

*These carburetters are "handed" by machining of the pilot air and throttle stop screws.



STEERING LOCK AND KEY

Lock No.	Key No.	Lock No.	Key No.	Lock No.	Key No.
EJR 1	19-5151	EJR 18	19-5168	EJR 35	19-5185
EJR 2	19-5152	EJR 19	19-5169	EJR 36	19-5186
EJR 3	19-5153	EJR 20	19-5170	EJR 37	19-5187
EJR 4	19-5154	EJR 21	19-5171	EJR 38	19-5188
EJR 5	19-5155	EJR 22	19-5172	EJR 39	19-5189
EJR 6	19-5156	EJR 23	19-5173	EJR 40	19-5190
EJR 7	19-5157	EJR 24	19-5174	EJR 41	19-5191
EJR 8	19-5158	EJR 25	19-5175	EJR 42	19-5192
EJR 9	19-5159	EJR 26	19-5176	EJR 43	19-5193
EJR 10	19-5160	EJR 27	19-5177	EJR 44	19-5194
EJR 11	19-5161	EJR 28	19-5178	EJR 45	19-5195
EJR 12	19-5162	EJR 29	19-5179	EJR 46	19-5196
EJR 13	19-5163	EJR 30	19-5180	EJR 47	19-5197
EJR 14	19-5164	EJR 31	19-5181	EJR 48	19-5198
EJR 15	19-5165	EJR 32	19-5182	EJR 49	19-5199
EJR 16	19-5166	EJR 33	19-5183	EJR 50	19-5200
EJR 17	19-5167	EJR 34	19-5184		



INDEX

<i>Plate</i>		<i>Page</i>
	ASSEMBLIES	9
1	CYLINDER HEAD	10 - 11
2	CYLINDER, EXHAUST PIPES	12 - 13
3	CRANKSHAFT, PISTONS, CONNECTING RODS	14 - 15
4	CRANKCASE, ALTERNATOR	16 - 17
5	OIL PUMP, GEARBOX SPROCKET	18 - 19
6	GEAR CLUSTER, CAMSHAFT	20 - 21
7	INNER TIMING COVER, GEARCHANGE MECHANISM	22 - 23
8	OUTER TIMING COVER, KICKSTART, FOOTCHANGE	24 - 25
9	CLUTCH	26 - 27
10	FRAME, BATTERY CARRIER, FOOTRESTS	28 - 31
11	SWINGING ARM, REAR BRAKE CONTROL	32 - 33
12	FOLDING FOOTRESTS, ENGINE SHIELD	34 - 35
13	OIL TANK, TOOLBOX, SILENCER	36 - 37
14	SIDECOVERS, AIR CLEANER	38 - 39



INDEX—continued

<i>Plate</i>		<i>Page</i>
15	STEERING HEAD	40 - 41
16	FRONT FORK	42 - 43
17	FRONT WHEEL	44 - 45
18	REAR WHEEL	46 - 47
19	FRONT MUDGUARDS	48 - 49
20	REAR MUDGUARD, CHAINGUARD	50 - 51
21	STEEL PETROL TANK, TWIN SEAT	52 - 53
22	FIBRE-GLASS PETROL TANK, HANDLEBAR	54 - 57
23	ELECTRICAL EQUIPMENT	58 - 63
24	CARBURETTORS	64 - 65
25	TOOLS	66 - 67
26	CARRIER AND PANNIERS	68 - 69
27	SAFETY BARS	70 - 71
	NUMERICAL INDEX	72 - 78



ASSEMBLIES COMPLETE

<i>Model</i>	<i>Spares No.</i>	<i>Description</i>
L	70-9236	Engine/gearbox unit (standard gears 20T gearbox sprocket).
F	70-9391	Engine/gearbox unit (standard gears 20T gearbox sprocket).
T	70-9220	Engine/gearbox unit (standard gears 20T gearbox sprocket).
R	70-9262	Engine/gearbox unit (standard gears 18T gearbox sprocket).
L	70-9218	Engine/gearbox unit (crankshaft gears 20T gearbox sprocket).
L, T, F	68-733	Crankshaft and flywheel assembly.
R	68-737	Crankshaft and flywheel assembly.
L, T, R, F	68-3270	Clutch complete.
L, T, R, F	68-941	Oil pump complete.
L, T, R, F	82-9567	Frame complete.
L, T, R, F	97-3624	Front fork complete.
L, T, R, F	37-3405	Front wheel with spindle and bearings.
L, T, R, F	37-3404	Front hub with spindle and bearings.
L, T, R, F	68-6145	Rear wheel with spindle and bearings.
L, T, R, F	68-6114	Rear hub with spindle and bearings.



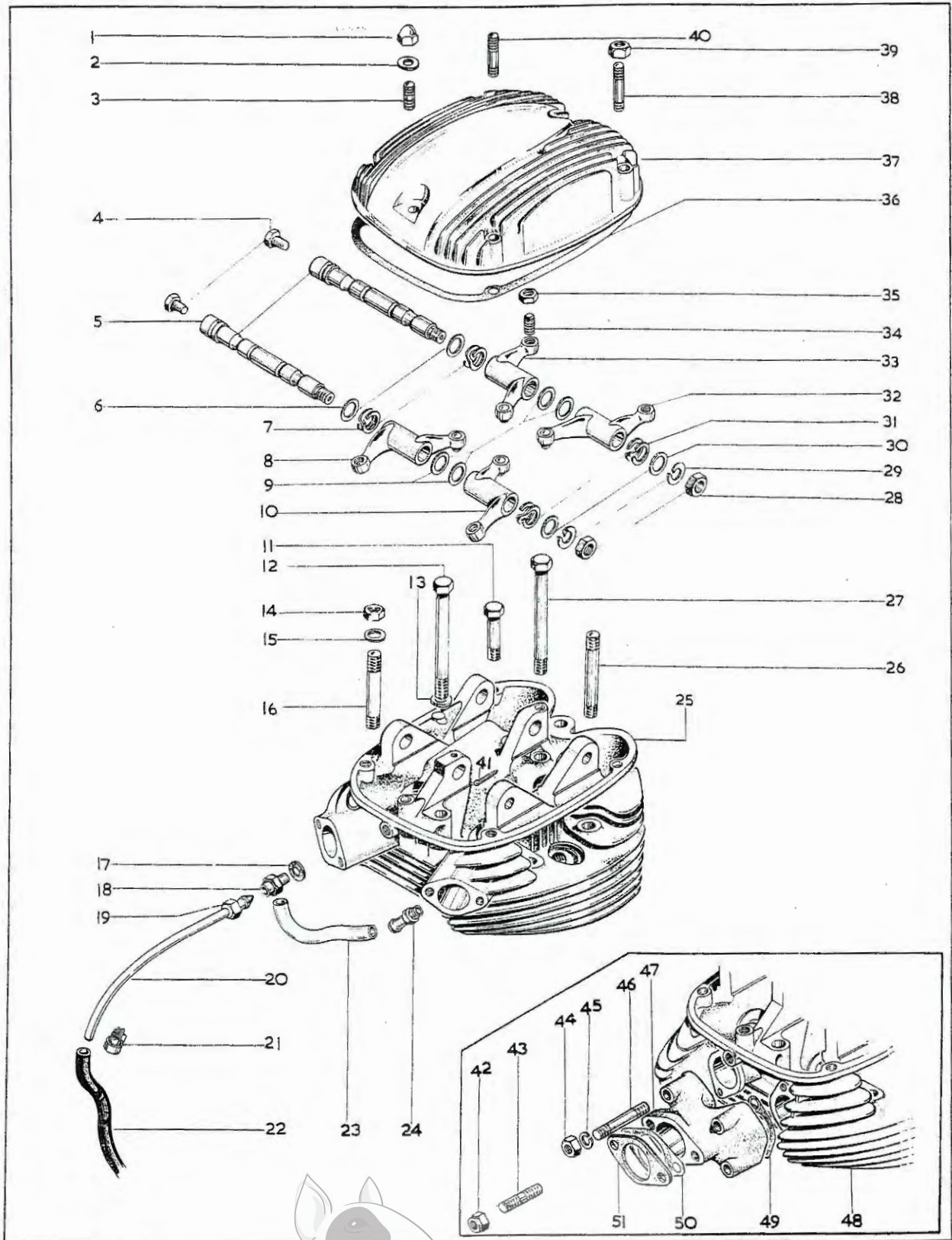
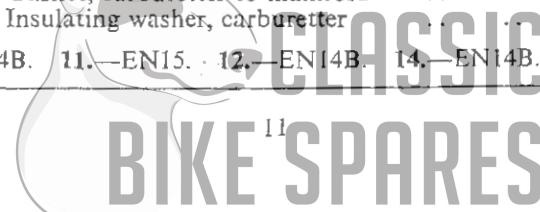


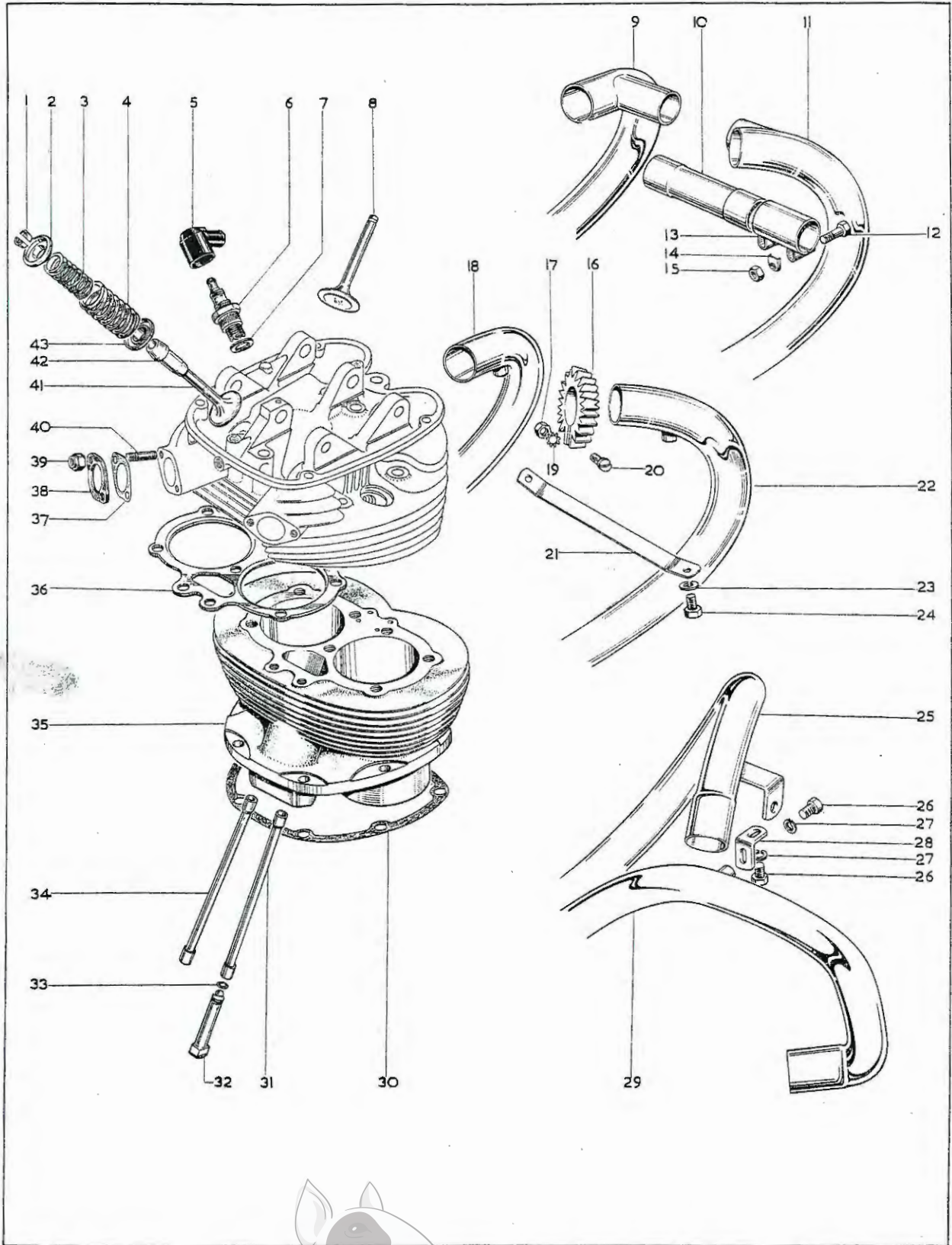
Plate 1

CYLINDER HEAD

Model	Code	Spares No.	Description	Per Set
R		00-3170	Decoke gasket set	
L, T, F		00-3169	Decoke gasket set	
R		00-3312	Full gasket set	
L, T, F		00-3311	Full gasket set	
L, T, R, F	1.	68-137	Domed nut, rocker box ($\frac{1}{4}$ " B.S.C.)	2
L, T, R, F	2.	2-525	Washer, rocker box studs ($\frac{1}{4}$ " \times $\frac{1}{2}$ " \times .048")	6
L, T, R, F	3.	68-87	Rocker box stud, rear ($\frac{1}{4}$ " B.S.C./B.S.F. \times 29/32")	
L, T, R, F	3.	68-876	Rocker box stud, front ($\frac{1}{4}$ " B.S.C./B.S.F. \times 1-17/32")	
L, T, R, F	4.	68-344*	Bolt, rocker spindle ($\frac{1}{4}$ " WHIT.)	2
L, T, R, F	5.	68-192	Rocker spindle, inlet and exhaust	2
L, T, R, F	6.	40-158	Thrust washer, rocker	2
L, T, R, F	7.	40-156	Spring washer, rocker	2
L, T, R, F	8.	68-147	Inlet rocker, left-hand	
L, T, R, F	9	40-158	Thrust washer, rocker	4
L, T, R, F	10.	58-149	Inlet rocker, right-hand	
L, T, R, F	11.	67-283*	Bolt, short, cylinder head ($\frac{3}{8}$ " B.S.F. \times 1 $\frac{1}{2}$ ")	
L, T, R, F	12.	68-337*	Bolt, long, cylinder head, rear ($\frac{3}{8}$ " B.S.F. \times 4 $\frac{1}{16}$ ")	2
L, T, R, F	13.	2-923	Washer, head to barrel	2
L, T, R, F	14.	40-483*	Stud nut, cylinder head ($\frac{3}{8}$ " B.S.C.)	4
L, T, R, F	15.	2-2138	Washer, head to barrel ($\frac{3}{8}$ " \times $\frac{3}{4}$ " \times $\frac{1}{16}$ ")	7
L, T, R, F	16.	68-79*	Stud, short, cylinder head ($\frac{3}{8}$ " B.S.C./B.S.F. \times 2-13/16")	2
L, T, R, F	17.	76-378	Fibre washer, oil feed union	
L, T, R, F	18.	76-308	Adaptor, rocker oil feed pipe	
L, T, R, F	19.	29-2089	Nut, rocker oil feed pipe	
L, F	20.	68-927	Rocker oil feed pipe	
T, R	20.	68-925	Rocker oil feed pipe	
L, T, R, F	21.	62-263	Clip, oil feed pipe	2
L, F	22.	68-923	Rubber connection, oil feed pipe	
T, R	22.	68-924	Rubber connection, oil feed pipe	
L, F	23.	70-8213	Inlet balance pipe	
L, F	24.	70-8214	Balance pipe spigot	2
L, F	25.	68-879	Cylinder head with fixed fittings	
L, T, R, F	26.	68-81*	Stud, long, cylinder head ($\frac{3}{8}$ " B.S.C./B.S.F. \times 3 $\frac{1}{8}$ ")	2
L, T, R, F	27.	68-337	Bolt, long, cylinder head, front	2
L, T, R, F	28.	2-449	Nut, rocker spindle	2
L, T, R, F	29.	2-522	Washer, rocker spindle (.390" \times .750" \times .056")	2
L, T, R, F	30.	40-157	Thrust washer, rocker	2
L, T, R, F	31.	40-156	Spring washer, rocker	2
L, T, R, F	32.	68-153	Exhaust rocker, right-hand	
L, T, R, F	33.	68-151	Exhaust rocker, left-hand	
L, T, R, F	34.	68-155	Adjuster screw, rocker ($\frac{5}{16}$ " B.S.C.)	4
L, T, R, F	35.	24-563	Adjuster nut, rocker ($\frac{5}{16}$ " B.S.C.)	4
L, T, R, F	36.	70-8319	Rocker box gasket	
L, T, R, F	37.	68-830	Rocker box cover	
L, T, R, F	38.	68-138	Stud, long, rocker box ($\frac{1}{4}$ " B.S.F./B.S.C.)	2
L, T, R, F	39.	2-2395	Stud nut, rocker box ($\frac{1}{4}$ " B.S.C.)	4
L, T, R, F	40.	68-143	Stud, short, rocker box ($\frac{1}{4}$ " B.S.F./B.S.C.)	2
L, T, R, F	41.	60-2684	Oilway split pin	
T, R	42.	42-4476	Nut, carburetter mounting ($\frac{5}{16}$ " B.S.C.)	2
T, R	43.	68-18	Stud, carburetter mounting ($\frac{5}{16}$ " B.S.F./B.S.C.)	2
T, R	44.	40-3226	Nut, manifold to head ($\frac{1}{4}$ " B.S.C.)	4
T, R	45.	24-978	Washer, for nut line 44 ($\frac{1}{4}$ " \times $\frac{7}{16}$ " \times .040")	4
T, R	46.	68-67	Stud, manifold to head ($\frac{1}{4}$ " B.S.F./B.S.C.)	4
R	47.	68-223	Inlet manifold	
T	47.	68-224	Inlet manifold	
R	48.	68-881	Cylinder head, with fixed fittings	
T	48.	68-844	Cylinder head, with fixed fittings	
T, R	49.	68-71	Gasket, manifold to head	2
T, R	50.	65-1417	Gasket, carburetter to manifold	
T, R	51.	70-7821	Insulating washer, carburetter	

*Special material: 4.—EN14B. 11.—EN15. 12.—EN14B. 14.—EN14B. 16.—EN15. 26.—EN15.

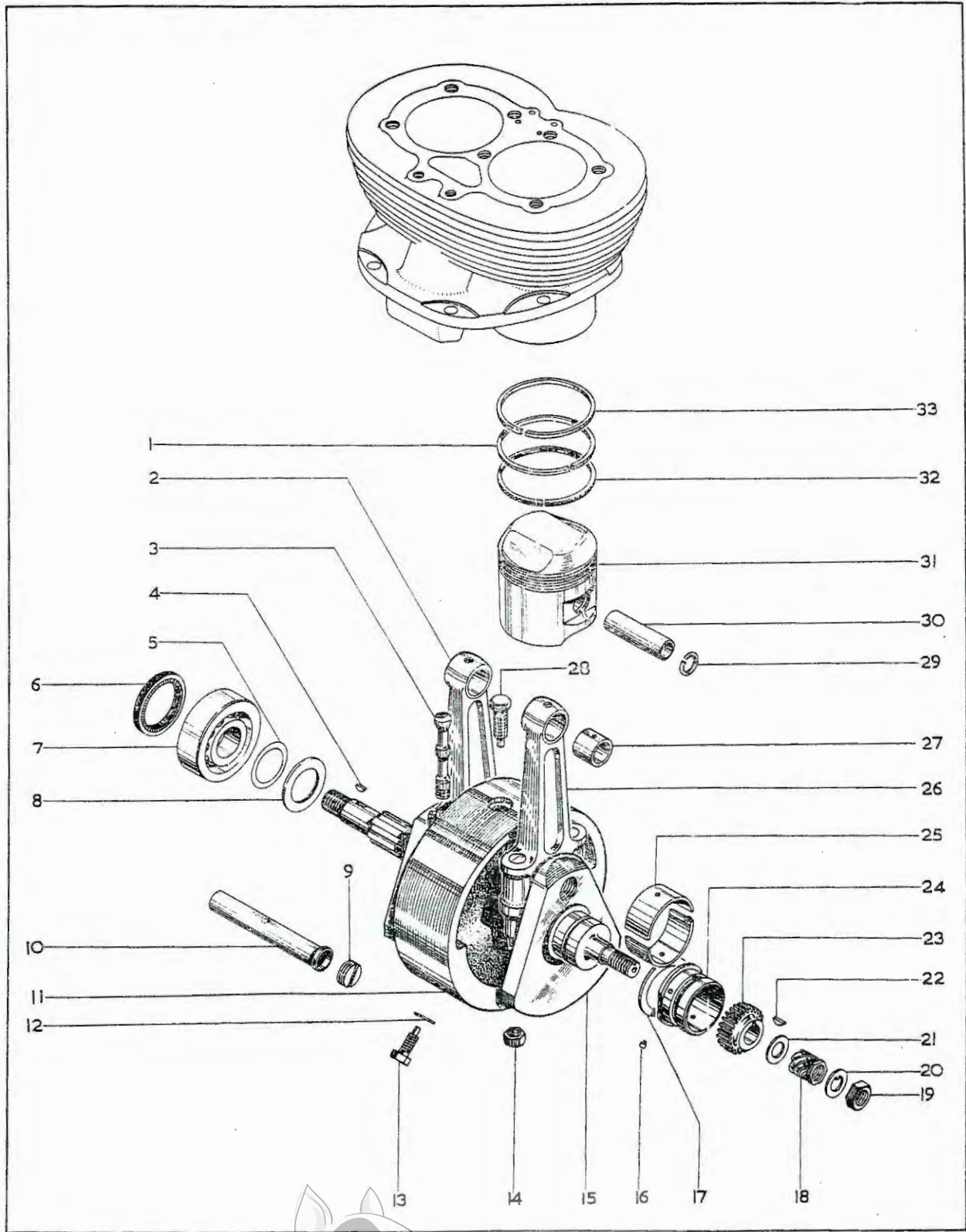




CYLINDER BARREL, EXHAUST PIPES, VALVES

Model	Code	Spares No.	Description	Per Set
L, T, R, F	1.	68-158	Collet, valve springs	8
L, T, R, F	2.	68-166	Top collar, valve springs	4
L, T, R, F	3.	68-805	Inner valve spring	4
L, T, R, F	4.	68-930	Outer valve spring	4
L, T, R, F	5.	19-7625	Spark plug cover (Champion WC.548)	2
L, F	6.	19-7606	Spark plug (Champion N3)	2
L, R	6.	19-7616	Spark plug (Champion N4)	2
L, T, R, F	7.	66-102	Spark plug washer	2
R	8.	68-662	Exhaust valve	2
L, T, F	8.	68-663	Exhaust valve	2
L, T	9.	70-9127	Exhaust pipe, left-hand	
L, T	10.	70-9890	Cross tube, exhaust pipe	
L, T	11.	70-9130	Exhaust pipe, right-hand	
L, T	12.	14-204	Bolt, cross tube clip (1/4" U.N.F. x 1 3/8")	4
L, T	13.	70-9627	Cross tube clip	2
L, T	14.	70-9626	Cap, cross tube clip	8
L, T	15.	14-301	Nut, for bolt line 12 (1/4" U.N.F.)	4
L, T, R, F	16.	42-2848	Finned collar, exhaust pipes	2
L, T, R, F	17.	14-301	Nut, for screw line 20 (1/4" U.N.F.)	2
R	18.	68-2789	Exhaust pipe, left-hand	
L, T, R, F	19.	29-541	Lockwasher, for nut line 17	2
L, T, R, F	20.	14-609	Screw, finned collar (1/4" U.N.F. x 1 1/4")	2
R	21.	68-2794	Tie bracket, exhaust pipes	
R	22.	68-2791	Exhaust pipe, right-hand	
R	23.	2-1462	Spring washer, for bolt line 24 (1/4")	2
R	24.	2-220	Bolt, tie bracket to exhaust pipe (1/4" B.S.C. x 3/8")	2
F	25.	70-9198	Exhaust pipe, left-hand	
F	26.	14-101	Bolt, tie bracket to exhaust pipe (1/4" U.N.F. x 1/2")	2
F	27.	2-1462	Spring washer, for bolt line 26 (1/4")	2
F	28.	70-9705	Tie bracket, exhaust pipe	
F	29.	70-9200	Exhaust pipe, right-hand	
L, T, R, F	30.	70-7823	Cylinder base gasket	
R	31.	68-365	Inlet push rod	2
L, T, F	31.	68-370	Inlet push rod	2
L, T, R, F	32.	68-362	Inlet and exhaust tappet	4
L, T, R, F	33.	68-163	Tappet circlip	4
R	34.	68-367	Exhaust push rod	2
L, T, F	34.	68-372	Exhaust push rod	2
L, T, F	35.	68-886	Cylinder barrel	
R	35.	68-888	Cylinder barrel	
L, T, F	36.	68-827	Cylinder head gasket	
L, F	37.	65-1417	Carburetter gasket	2
L, F	38.	70-7821	Carburetter insulating washer	2
L, F	39.	42-4476	Nut, carburetter stud (1/16" B.S.C.)	4
L, F	40.	68-18	Carburetter stud (1/16" B.S.C./B.S.F. x 1 3/8")	4
R	41.	68-661	Inlet valve	2
L, T, F	41.	68-665	Inlet valve	2
L, T, R, F	42.	68-809	Valve guide, inlet and exhaust	4
L, T, R, F	43.	68-931	Bottom cup, valve spring	4





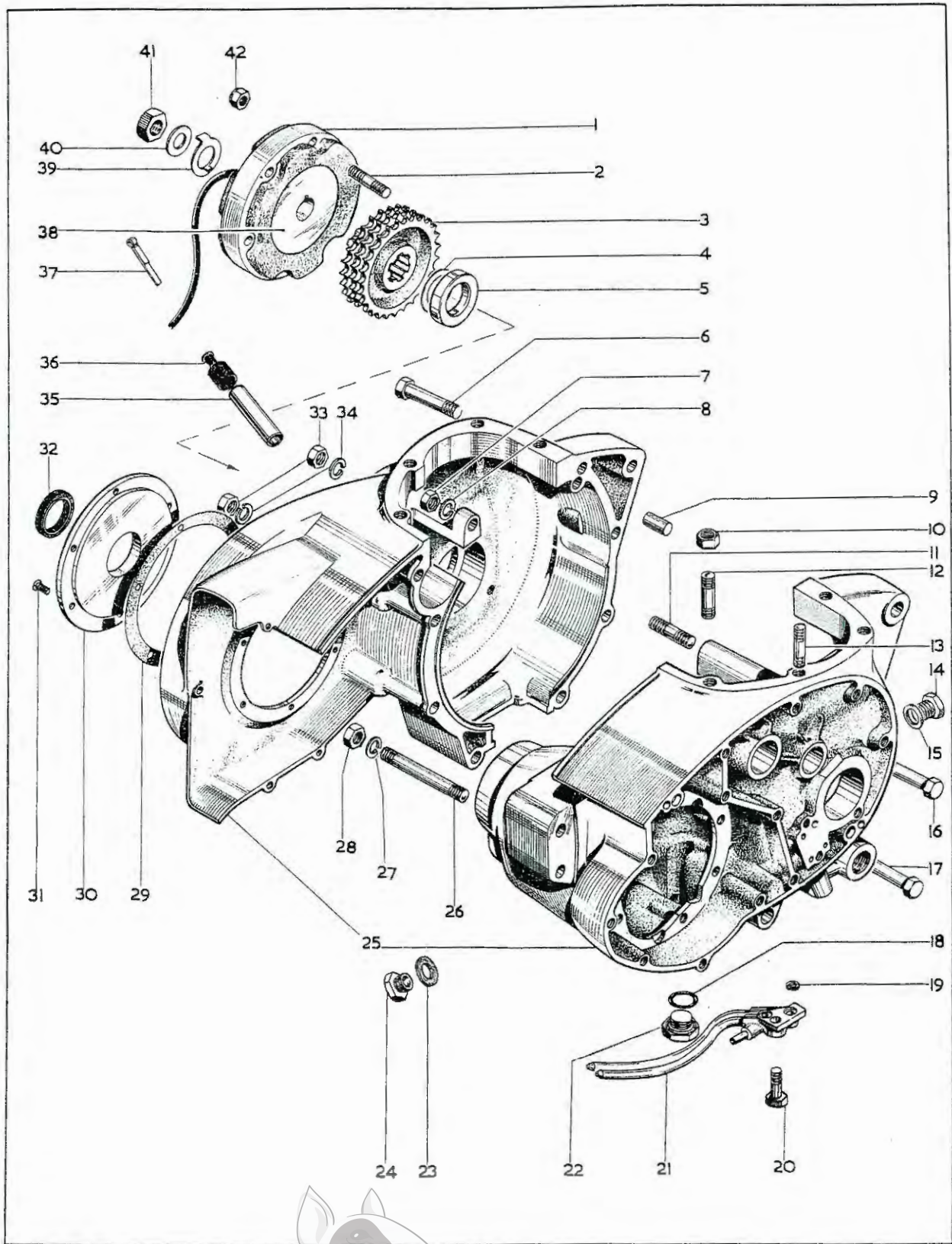
CRANKSHAFT

Model	Code	Spares No.	Description	Per Set
L, T, F	1.	68-357*	Taper piston ring, centre	2
R	1.	68-354*	Taper piston ring, centre	2
L, T, R, F	2.	68-649	Connecting rod complete, less big-end shell, left-hand	..
L, T, R, F	3.	67-1536†	Connecting rod bolt ($\frac{5}{16}$ " B.S.C.)	4
L, T, R, F	4.	41-673	Crankshaft key, rotor	..
L, T, R, F	5.	68-633	Crankshaft shim (.003")	.. as reqd.
L, T, R, F	5.	68-634	Crankshaft shim (.005")	.. as reqd.
L, T, R, F	5.	68-635	Crankshaft shim (.010")	.. as reqd.
L, T, R, F	6.	67-674	Crankcase oil seal, drive-side	..
L, T, R, F	7.	68-625	Crankshaft bearing, drive-side (Hoffman RM.11L)	..
L, T, R, F	8.	68-638	Shim retaining clip	..
L, T, R, F	9.	68-184	Crankshaft oil tube plug	..
L, T, R, F	10.	68-185	Crankshaft oil tube	..
L, T, F	11.	68-676	Flywheel only	..
R	11.	68-680	Flywheel only	..
L, T, R, F	12.	68-582	Washer for flywheel bolts ($\frac{3}{8}$ ")	3
L, T, R, F	13.	68-580†	Flywheel bolt ($\frac{3}{8}$ " B.S.C.)	2
L, T, R, F	14.	75-6594	Nut for connecting rod bolt ($\frac{5}{16}$ " B.S.C.)	4
L, T, R, F	15.	68-734	Crankshaft only	..
L, T, R, F	16.	67-793	Dowel, crankshaft bush	..
L, T, R, F	17.	68-685	Thrust washer, crankshaft bush	..
L, T, R, F	18.	68-50	Pinion, oil pump drive	..
L, T, R, F	19.	67-643	Crankshaft nut, gear-side	..
L, T, R, F	20.	67-644	Lockwasher, for nut line 19	..
L, T, R, F	21.	67-645	Washer, pump drive pinion	..
L, T, R, F	22.	40-3150	Key, crankshaft pinion	..
L, T, R, F	23.	67-339	Crankshaft pinion	..
L, T, R, F	24.	68-657	Crankshaft bush (standard)	..
L, T, R, F	24.	68-647	Crankshaft bush (.010" undersize)	..
L, T, R, F	24.	68-648	Crankshaft bush (.020" undersize)	..
L, T, R, F	25.	67-1430	Connecting rod big-end shell (standard)	4
L, T, R, F	25.	67-1431	Connecting rod big-end shell (.010" undersize)	4
L, T, R, F	25.	67-1432	Connecting rod big-end shell (.020" undersize)	4
L, T, R, F	25.	67-1433	Connecting rod big-end shell (.030" undersize)	4
L, T, R, F	26.	68-53	Connecting rod complete, less big-end shell, right-hand	..
L, T, R, F	27.	67-298	Connecting rod small-end bush	2
L, T, R, F	28.	68-581	Flywheel bolt, oil tube location	..
L, T, R, F	29.	66-954	Gudgeon pin circlip	4
L, T, F	30.	65-440	Gudgeon pin	2
R	30.	68-263	Gudgeon pin	2
L, T, F	31.	68-906*	Piston complete (9 to 1 ratio)	2
R	31.	68-434*	Piston complete (9 to 1 ratio)	2
L, T, F	32.	68-259*	Piston scraper ring	2
R	32.	68-299*	Piston scraper ring	2
L, T, F	33.	68-256*	Top piston ring	2
R	33.	68-296*	Top piston ring	2

*See page 4 for piston details.

†Special material: 3.—EN24. 13.—EN24.

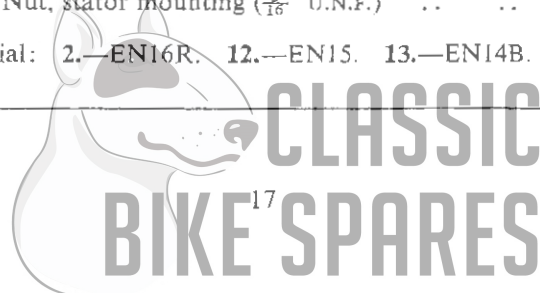




CRANKCASE

Model	Code	Spares No.	Description	Per Set
L, T, R, F	1.	19-1262	Stator (Lucas 47205)	
L, T, R, F	2.	14-1621*	Stud, stator mounting ($\frac{5}{16}$ " U.N.F./U.N.C. \times 1 $\frac{1}{2}$ ")	3
L, T, R, F	3.	68-205	Engine sprocket (28T)	
L, T, R, F	4.	40-66	Shim (.010"), engine sprocket	as reqd.
L, T, R, F	4.	40-69	Shim (.015"), engine sprocket	as reqd.
L, T, R, F	5.	68-688	Distance piece, engine sprocket	
L, T, R, F	6.	14-221	Bolt, crankcase top front ($\frac{5}{16}$ " U.N.F. \times 2")	2
L, T, R, F	7.	14-302	Nut, crankcase stud ($\frac{5}{16}$ " U.N.F.)	
L, T, R, F	8.	24-8784	Spring washer, for nut line 7	
L, T, R, F	9.	27-1589	Dowel, crankcase	
L, T, R, F	10.	14-302	Nut, barrel to crankcase ($\frac{5}{16}$ " U.N.F.)	8
L, T, R, F	11.	21-1849	Stud, top centre crankcase ($\frac{5}{16}$ " U.N.F./U.N.C. \times 1 $\frac{1}{2}$ ")	
L, T, R, F	12.	21-1845*	Stud, barrel to crankcase ($\frac{5}{16}$ " U.N.F./U.N.C. \times 1 $\frac{7}{8}$ ")	6
L, T, R, F	13.	21-1846*	Stud, barrel to crankcase ($\frac{5}{16}$ " U.N.F./U.N.C. \times 1 $\frac{7}{8}$ ")	2
L, T, R, F	14.	21-1872	Sealing plug, crankcase	
L, T, R, F	15.	70-8896	Sealing plug washer	
L, T, R, F	16.	14-6221	Bolt, crankcase front ($\frac{5}{16}$ " U.N.C. \times 2")	
L, T, R, F	17.	14-226	Bolt, crankcase bottom ($\frac{5}{16}$ " U.N.F. \times 3 $\frac{1}{4}$ ")	
L, T, R, F	18.	68-3168	'O' ring, for drain plug line 22	
L, T, R, F	19.	68-588	'O' ring, oil pipe union	2
L, T, R, F	20.	21-1973	Bolt, oil pipe union to crankcase ($\frac{5}{16}$ " U.N.C. \times $\frac{7}{8}$ ")	
L, T, R, F	21.	68-942	Oil pipe union, crankcase	
L, T, R, F	22.	21-1857	Gearbox drain plug	
L, T, R, F	23.	15-203	Washer, for plug line 24	
L, T, R, F	24.	57-3745	Cam plate plunger plug	
L, T, R, F	25.	70-9097	Crankcase complete with fixed fittings	
L, T, R, F	26.	21-1850	Stud, rear crankcase ($\frac{5}{16}$ " U.N.F./U.N.C. \times 3 $\frac{7}{16}$ ")	3
L, T, R, F	27.	24-8784	Spring washer, for nut line 28	3
L, T, R, F	28.	14-302	Nut, crankcase stud	3
L, T, R, F	29.	40-241	Gasket, primary case back plate	
L, T, R, F	30.	68-235	Cover plate, primary case back	
L, T, R, F	31.	40-246	Screw, cover plate to crankcase	6
L, T, R, F	32.	68-235	Oil seal, primary case back plate	
L, T, R, F	33.	14-302	Nut, crankcase bolt ($\frac{5}{16}$ " U.N.F.)	2
L, T, R, F	34.	24-8784	Spring washer, for nut line 33 ($\frac{5}{16}$ " \times $\frac{5}{8}$ " \times .040")	4
L, T, R, F	35.	70-7844	Cable guide, alternator	
L, T, R, F	36.	68-209	Oil seal, cable guide	
L, T, R, F	37.	70-7878	Clip, alternator cable	
L, T, R, F	38.	19-8019	Rotor (Lucas 54213901)	
L, T, R, F	39.	68-325	Lockwasher, rotor nut	
L, T, R, F	40.	68-324	Washer, rotor nut	
L, T, R, F	41.	29-2023	Rotor nut ($\frac{5}{8}$ " U.N.F.)	
L, T, R, F	42.	21-1852*	Nut, stator mounting ($\frac{5}{16}$ " U.N.F.)	3

*Special material: 2.—EN16R. 12.—EN15. 13.—EN14B. 42.—EN8R.



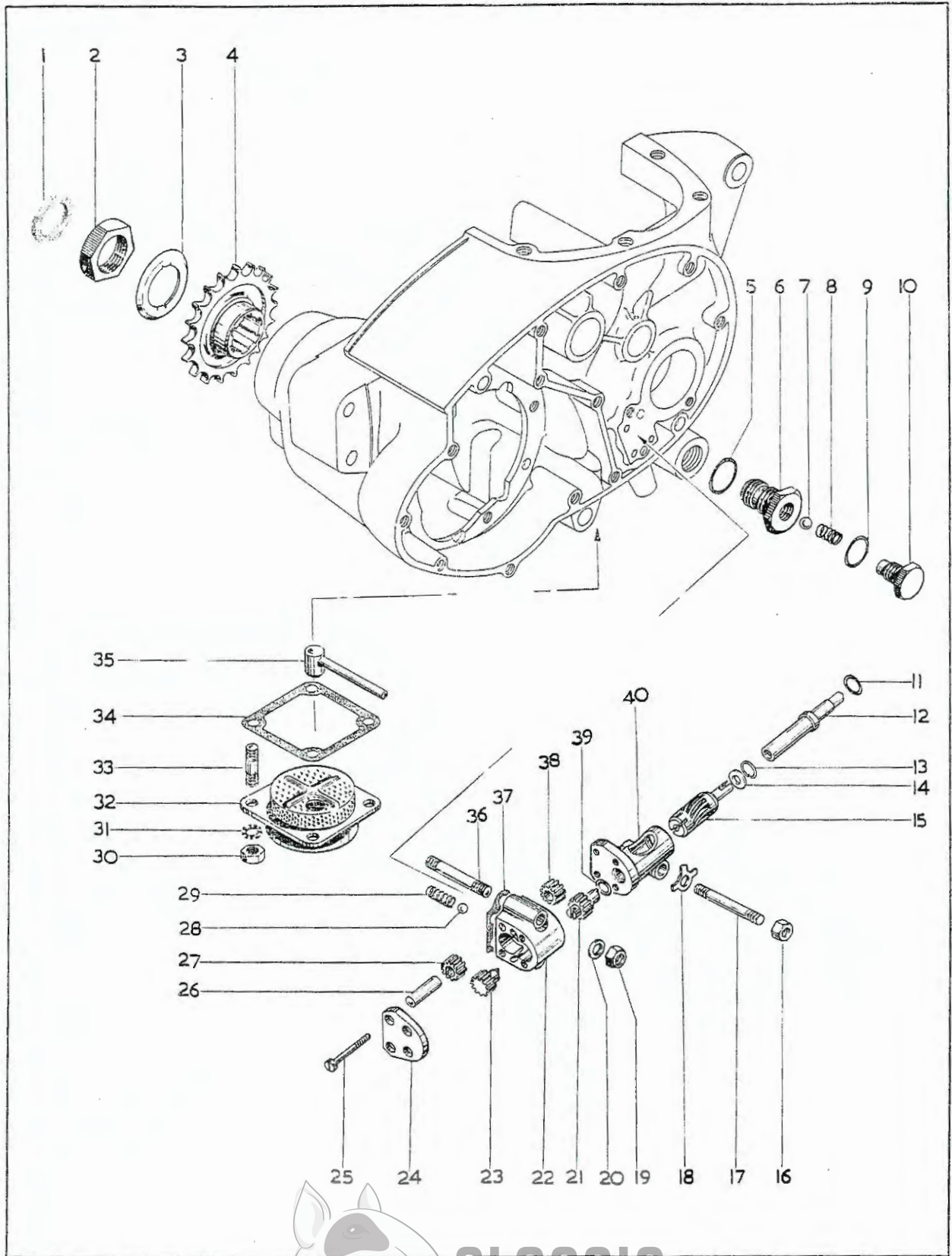


Plate 5

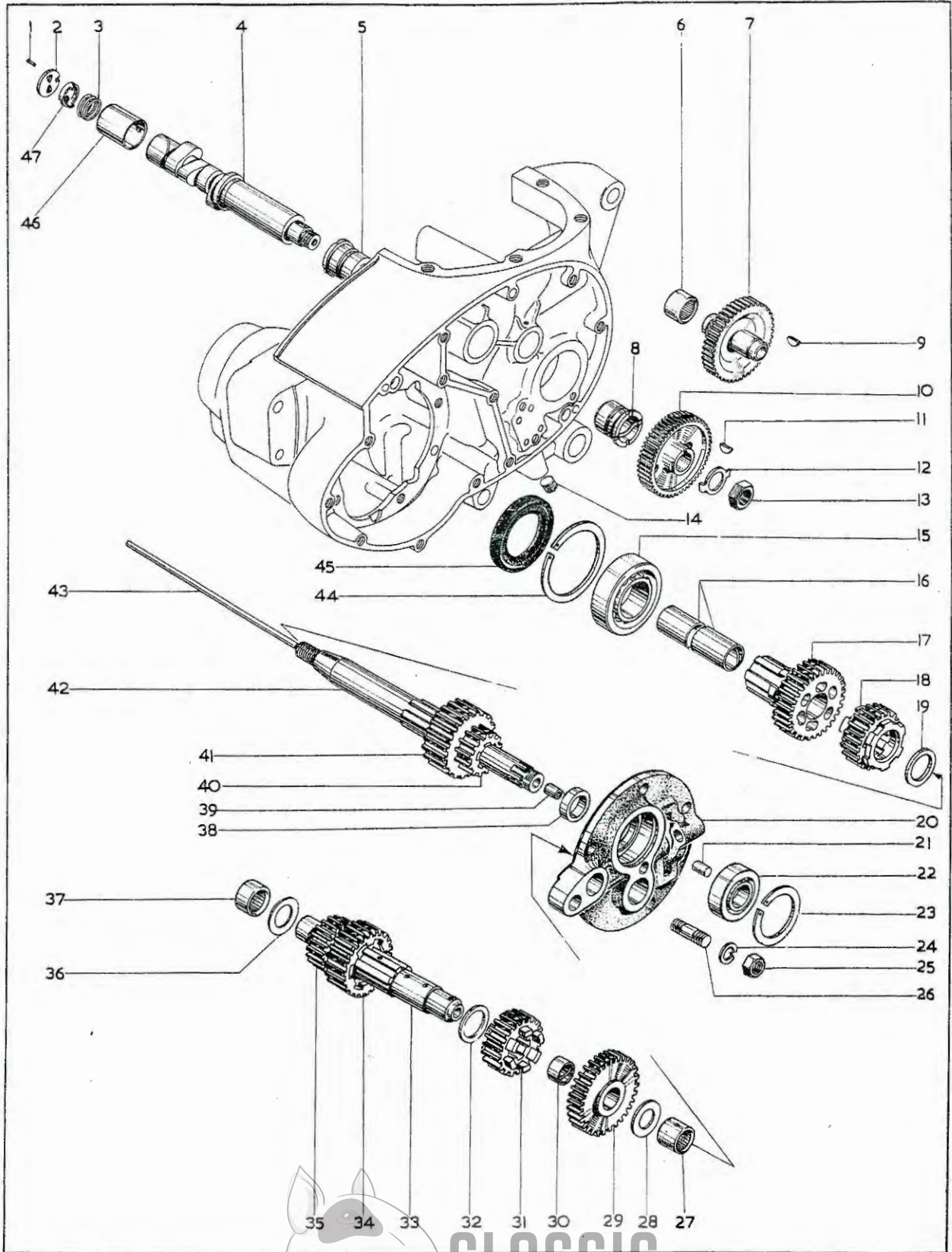
OIL PUMP, GEARBOX SPROCKET

Model	Code	Spares No.	Description	Per Set
L, T, R, F	1.	68-3194	Felt washer
L, T, R, F	2.	40-3051	Nut, gearbox (1 $\frac{3}{16}$ " WHIT. 20 turns per inch)	..
L, T, R, F	3.	40-3121	Lockwasher, for nut line 2
R (Sidecar)	4.	68-3072	Gearbox sprocket (17T)
R (Solo)	4.	68-3093	Gearbox sprocket (18T)
L, T (Sidecar)	4.	68-3093	Gearbox sprocket (18T)
	4.	68-3078*	Gearbox sprocket (19T)
L, T, F (Solo)	4.	68-3073	Gearbox sprocket (20T)
	4.	68-3089*	Gearbox sprocket (21T)
L, T, R, F	5.	68-610	'O' ring, oil release valve
L, T, R, F	6.	70-9214	Oil release valve body
L, T, R, F	7.	90-241	Ball, oil release valve
L, T, R, F	8.	67-1496	Spring, oil release valve
L, T, R, F	9.	68-611	'O' ring, release valve plug
L, T, R, F	10.	70-9216	Oil release valve plug
L, F	11.	68-588	'O' ring, revolution counter drive pin
L, F	12.	68-586	Revolution counter drive pin
L, T, R, F	13.	42-158	Circlip, oil pump drive spindle
L, T, R, F	14.	42-157	Retaining washer, oil pump spindle
L, T, R, F	15.	68-310	Driving spindle, oil pump
L, T, R, F	16.	14-301	Nut, for stud line 17 (1/4" U.N.F.)
L, T, R, F	17.	21-1848†	Stud, oil pump spindle housing (1/4" U.N.F./U.N.C. x 2 $\frac{7}{16}$ ")
L, T, R, F	18.	76-138	Lockwasher, for nut line 16
L, T, R, F	19.	14-901	Nut, for stud line 36 (1/4" U.N.F. Nyloc)	2
L, T, R, F	20.	68-938	Washer, for nut line 19	2
L, T, R, F	21.	67-1403	Oil pump feed gear, driver
L, T, R, F	22.	68-934	Oil pump body
L, T, R, F	23.	67-1405	Oil pump scavenge gear, driver
L, T, R, F	24.	68-936	Oil pump end plate
L, T, R, F	25.	68-937	Screw, oil pump end plate	4
L, T, R, F	26.	67-1387	Spindle, oil pump driven gears
L, T, R, F	27.	67-1406	Oil pump scavenge gear, driven
L, T, R, F	28.	1-4675	Ball, non-return valve (1/4" diameter)
L, T, R, F	29.	68-353	Spring, non-return valve
L, T, R, F	30.	14-301	Nut, for stud line 33	4
L, T, R, F	31.	29-541	Lockwasher, for nut line 30	4
L, T, R, F	32.	67-1285	Crankcase scavenge cover
L, T, R, F	33.	14-1401	Stud, scavenge cover	4
L, T, R, F	34.	67-1288	Gasket, scavenge cover
L, T, R, F	35.	68-560	Scavenge oil pipe
L, T, R, F	36.	21-1848†	Stud, oil pump body mounting	2
L, T, R, F	37.	68-939	Gasket, oil pump body to crankcase
L, T, R, F	38.	67-1404	Oil pump driven feed gear
L, T, R, F	39.	68-289	'O' ring, oil pump spindle housing
L, T, R, F	40.	68-935	Oil pump spindle housing
		70-9213	Oil release valve assembly
		68-941	Oil pump complete

*Alternative sprockets.

†Special material: 17.—EN14B. 36.—EN14B.





GEAR CLUSTER, CAMSHAFT

Model	Code	Spares No.	Description	Per Set
L, T, R, F	1.	40-28	Breather disc peg	
L, T, R, F	2.	68-130	Static breather disc	
L, T, R, F	3.	68-132	Breather valve spring	
L, T, F	4.	68-473	Camshaft	
R	4.	68-103	Camshaft	
L, T, R, F	5.	68-25	Camshaft bush, gear-side	
L, T, R, F	6.	70-9809	Idler pinion bearing bush	
L, T, R, F	7.	70-9104	Idler pinion, timing gear	
L, T, R, F	8.	68-25	Camshaft bush, gear-side	
L, T, R, F	9.	27-1386	Key, idler pinion	
L, T, R, F	10.	67-338	Camshaft pinion	
L, T, R, F	11.	40-118	Key, camshaft pinion	
L, T, R, F	12.	67-685	Lockwasher, camshaft pinion	
L, T, R, F	13.	24-7000	Nut, camshaft pinion (1/2" B.S.C.)	
L, T, R, F	14.	70-9526	Screwed plug, scavenge oil hole	2
L, T, R, F	15.	57-448	Bearing, mainshaft drive-side	
L, T, R, F	16.	68-3178	Bush, mainshaft top gear	2
L, T, R, F	17.	68-3115	Mainshaft top gear (23T)	
L, T, R, F	18.	68-3120	Mainshaft second gear (22T)	
L, T, R, F	18.	68-3114*	Mainshaft second gear (23T)	
L, T, R, F	19.	68-3021	Spacing washer, mainshaft	
L, T, R, F	20.	68-3184	Bearing plate cover	
L, T, R, F	21.	68-30	Dowel, bearing plate	
L, T, R, F	22.	57-3621	Bearing, mainshaft gear-side (Hoffman LS.8)	
L, T, R, F	23.	67-3028	Circlip, mainshaft bearing	
L, T, R, F	24.	24-8784	Spring washer, for nut line 24	5
L, T, R, F	25.	14-302	Nut, bearing plate stud (5/16" U.N.F.)	5
L, T, R, F	26.	14-1619†	Stud, gearbox bearing plate (5/16" U.N.C./U.N.F. x 1 1/4")	5
L, T, R, F	27.	42-3075	Bearing, layshaft gear-side (Torrington B.1212-OH)	
L, T, R, F	28.	42-3079	Thrust washer, layshaft	
L, T, R, F	29.	68-3151	Layshaft first gear (26T)	
L, T, R, F	29.	68-3128*	Layshaft first gear (24T)	
L, T, R, F	30.	67-3093	Bush, layshaft first gear	
L, T, R, F	31.	68-3120	Layshaft third gear (22T)	
L, T, R, F	31.	68-3181*	Layshaft third gear (18T)	
L, T, R, F	32.	68-3021	Spacing washer, layshaft	
L, T, R, F	33.	68-3303	Gearbox layshaft	
L, T, R, F	34.	68-3015	Layshaft second gear (26T)	
L, T, R, F	34.	68-3107*	Layshaft second gear (25T)	
L, T, R, F	35.	68-3299	Layshaft top gear (17T)	
L, T, R, F	36.	42-3079	Thrust washer, layshaft (.113"—.115")	as reqd.
L, T, R, F	36.	42-3212	Thrust washer, layshaft (.120"—.122")	as reqd.
L, T, R, F	36.	42-3213	Thrust washer, layshaft (.127"—.129")	as reqd.
L, T, R, F	37.	68-34	Bearing, layshaft drive-side (Torrington 12121-OH)	
L, T, R, F	38.	68-3019	Spacer, mainshaft	
L, T, R, F	39.	68-3027	Bush, clutch push rod	
L, T, R, F	40.	68-3150	Mainshaft first gear (14T)	
L, T, R, F	40.	68-3127*	Mainshaft first gear (16T)	
L, T, R, F	41.	68-3015	Mainshaft third gear (26T)	
L, T, R, F	41.	68-3182*	Mainshaft third gear (22T)	
L, T, R, F	42.	68-3100	Gearbox mainshaft with push rod bush	
L, T, R, F	43.	68-3229	Clutch push rod	
L, T, R, F	44.	68-24	Circlip, mainshaft bearing drive-side	
L, T, R, F	45.	68-27	Oil seal, mainshaft bearing	
L, T, R, F	46.	68-22	Camshaft bush, drive-side	
L, T, R, F	47.	68-131	Rotary breather valve	

*Close ratio gears.
 †Special material: 26.—EN16R.



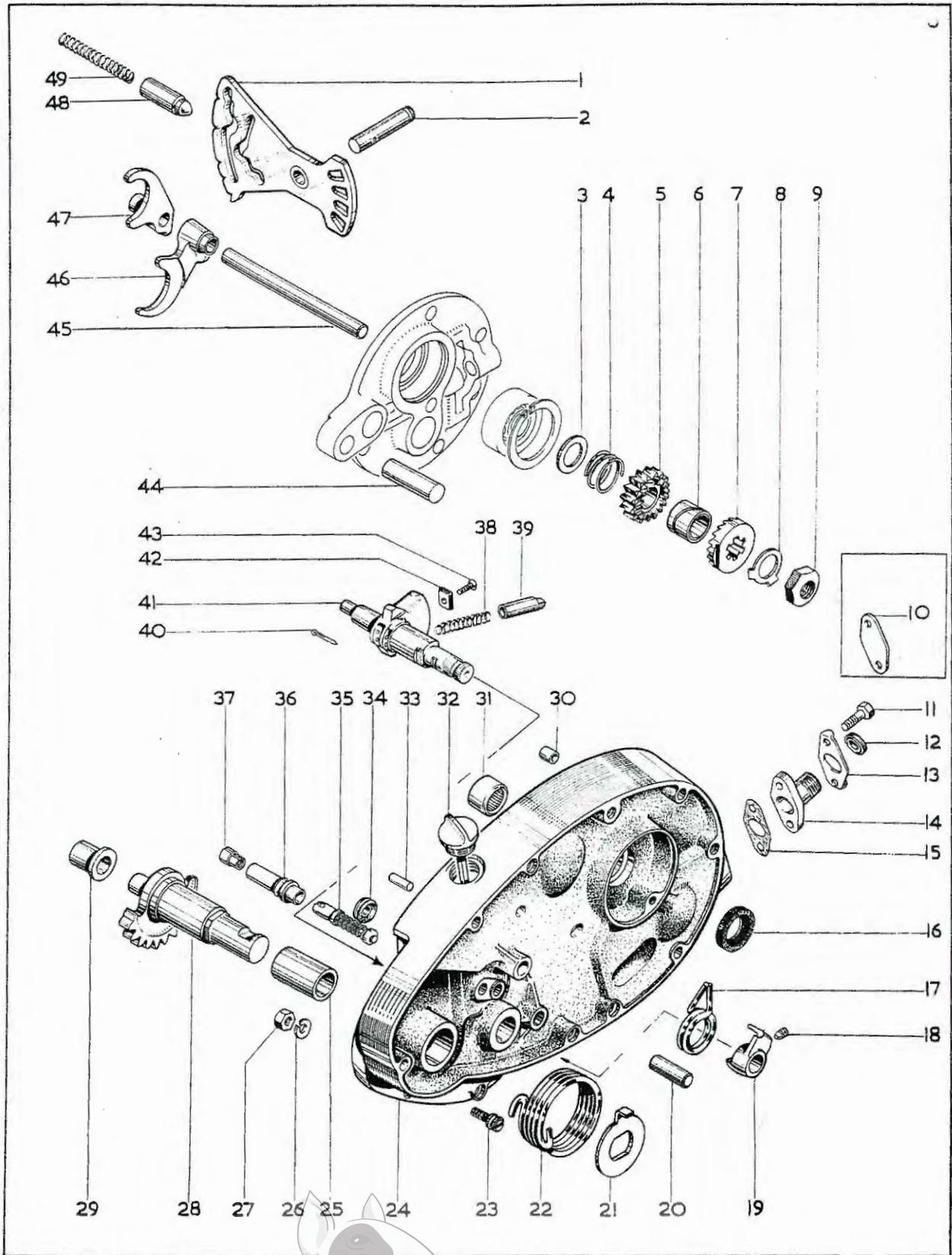


Plate 7

INNER TIMING COVER, GEARCHANGE MECHANISM

Model	Code	Spares No.	Description	Per Set
	1.	68-3187	Gearchange cam plate (first sets only)	
L, T, R, F	1.	57-2767	Gearchange cam plate (after first sets)	
L, T, R, F	2.	68-3045	Cam plate pivot	
L, T, R, F	3.	67-3161	Thrust washer, kickstart ratchet	
L, T, R, F	4.	67-3162	Spring, kickstart ratchet	
L, T, R, F	5.	68-3095	Kickstart ratchet pinion	
L, T, R, F	6.	67-3169	Bush, kickstart ratchet pinion	
L, T, R, F	7.	68-3056	Kickstart ratchet	
L, T, R, F	8.	68-3301	Lockwasher, kickstart assembly	
L, T, R, F	9.	67-3163*	Nut, kickstart assembly (9/16" B.S.C.)	
T, R	10.	42-166	Cover plate, inner timing cover	
L, T, R, F	11.	21-5370	Bolt for adaptor line 14 (2BA x 9/16")	2
L, F	12.	24-36	Sealing washer, revolution counter cable	
L, T, R, F	13.	68-982	Lockwasher, for bolt line 11	
L, F	14.	68-585	Adaptor for revolution counter cable	
L, T, R, F	15.	68-589	Gasket, for adaptor line 14 or cover line 10	
L, T, R, F	16.	40-3281	Oil seal, idler pinion spindle	
L, T, R, F	17.	68-3125	Return spring, gearchange	
L, T, R, F	18.	68-3118	Grub-screw, for stop plate line 19	
L, T, R, F	19.	68-3298	Stop plate, gearchange spring	
L, T, R, F	20.	68-3058	Anchor peg, gearchange spring	2
L, T, R, F	21.	68-3054	Spring plate, kickstart	
L, T, R, F	22.	68-3053	Kickstart return spring	
L, T, R, F	23.	68-3055	Anchor peg, kickstart spring	
L, T, R, F	24.	70-9482	Inner timing cover with fixed fittings	
L, T, R, F	25.	68-213	Bush, kickstart spindle, timing cover	
L, T, R, F	26.	24-978	Spring washer, for nut line 27	
L, T, R, F	27.	2-2395	Nut, kickstart spring anchor peg (1/4" B.S.C.)	
L, T, R, F	28.	68-3049	Kickstart spindle complete	
L, T, R, F	29.	68-3005	Bush, kickstart spindle	
L, T, R, F	30.	66-3074	Dowel, inner cover to case	2
L, T, R, F	31.	70-9809	Bush, idler pinion spindle	
L, T, R, F	32.	68-865	Dipstick, inner timing cover	
L, T, R, F	33.	40-394	Dowel, inner cover to case	2
L, T, R, F	34.	40-705	Grommet for contact breaker leads	
L, T, R, F	35.	68-3257	Connector, clutch cable	
L, T, R, F	36.	68-3259	Abutment, clutch cable	
L, T, R, F	37.	68-3263	Adaptor, clutch cable	
L, T, R, F	38.	68-3096	Plunger, gearchange quadrant	2
L, T, R, F	39.	68-3076	Spring, gearchange quadrant plunger	2
L, T, R, F	40.	60-2721	Split pin, quadrant plunger spring (3/32" x 5/8")	2
L, T, R, F	41.	68-3294	Gearchange quadrant complete	
L, T, R, F	42.	57-2630	Retainer, gearchange plunger	
L, T, R, F	43.	40-3323	Screw, plunger retainer (5BA x 1/8")	
L, T, R, F	44.	68-3180	Kickstart quadrant stop	
L, T, R, F	45.	68-3036	Spindle, selector forks	
L, T, R, F	46.	68-3160	Selector fork, layshaft	
L, T, R, F	47.	68-3158	Selector fork, mainshaft	
L, T, R, F	48.	68-98	Plunger, gearchange cam plate	
L, T, R, F	49.	68-101	Spring, cam plate plunger	

*Special material: 9.—EN15.



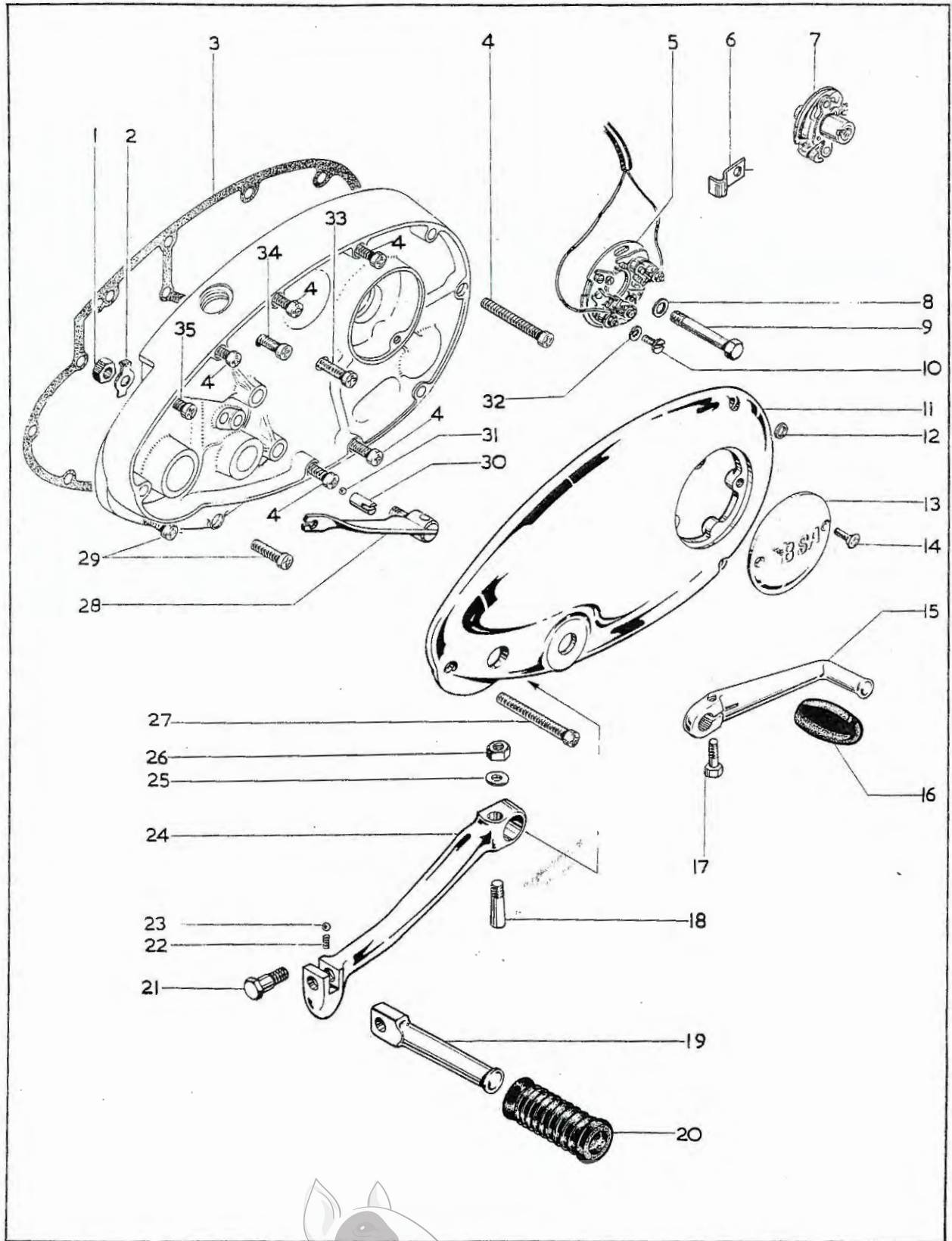


Plate 8

OUTER TIMING COVER, KICKSTART AND FOOTCHANGE

Model	Code	Spares No.	Description	Per Set
L, T, R, F	1.	24-563*	Nut, clutch lever fulcrum ($\frac{5}{16}$ " B.S.C.)	
L, T, R, F	2.	68-3067	Lockwasher, for nut line 1	
L, T, R, F	3.	70-7853	Gasket, inner timing cover	
L, T, R, F	4.	14-6613	Screw, long, inner timing cover ($\frac{1}{4}$ " U.N.C. \times $2\frac{1}{4}$ ")	6
L, T, R, F	5.	19-1841	Contact breaker (Lucas 54419097)	
L, T, R, F	6.	4-2203	Clip, contact breaker leads	
L, T, R, F	7.	19-1842	Auto-advance unit (Lucas 54419344)	
L, T, R, F	8.	68-331	Washer, for bolt line 9	
L, T, R, F	9.	14-208	Bolt, contact breaker cam to idler pinion spindle ($\frac{1}{4}$ " U.N.F. \times $2\frac{1}{4}$ ")	
L, T, R, F	10.	76-2514	Screw, contact breaker plate to cover (2BA \times $2\frac{1}{64}$ ")	2
L, T, R, F	11.	68-227	Outer timing cover	
L, T, R, F	12.	40-740	Sealing washer, top, outer cover screw	
L, T, R, F	13.	70-9126	Inspection cover, contact breaker	
L, T, R, F	14.	21-5375	Screw, contact breaker cover (2BA \times $\frac{3}{8}$ ")	2
L, T, R, F	15.	40-3073	Footchange pedal	
L, T, R, F	16.	89-3208	Rubber, footchange pedal	
L, T, R, F	17.	42-6554	Bolt, footchange pedal ($\frac{1}{4}$ " B.S.C. \times $\frac{3}{4}$ ")	
L, T, R, F	18.	2-2579	Cotter, kickstart crank	
L, T, R, F	19.	57-2646	Kickstart folding pedal	
L, T, R, F	20.	57-2759	Rubber, kickstart pedal	
L, T, R, F	21.	40-3084	Bolt, kickstart pedal ($\frac{5}{16}$ " B.S.C. \times $1\frac{3}{16}$ ")	
L, T, R, F	22.	40-3085	Spring, kickstart pedal	
L, T, R, F	23.	1-4675	Ball, kickstart pedal	
L, T, R, F	24.	57-2764	Kickstart crank complete	
L, T, R, F	24.	57-2652	Kickstart crank only	
L, T, R, F	25.	15-5155	Washer, for nut line 26 (.328" \times .505" \times .048")	
L, T, R, F	26.	2-2578	Nut, for cotter line 18 (.266" B.S.C.)	
L, T, R, F	27.	14-6614	Screw, outer cover ($\frac{1}{4}$ " U.N.C. \times 2")	3
L, T, R, F	28.	68-3311	Clutch lever complete	
L, T, R, F	29.	14-6606	Screw, inner timing cover ($\frac{1}{4}$ " U.N.C. \times $\frac{3}{4}$ ")	2
L, T, R, F	30.	68-3065	Plunger, clutch operating lever	
L, T, R, F	31.	65-2593	Ball, clutch lever plunger ($\frac{7}{32}$ " diameter)	
L, T, R, F	32.	76-293	Washer, for screw line 10	2
L, T, R, F	33.	14-6610	Screw, medium, inner timing cover ($\frac{1}{4}$ " U.N.C. \times $1\frac{1}{2}$ ")	
L, T, R, F	34.	14-6612	Screw, inner timing cover ($\frac{1}{4}$ " U.N.C. \times 2")	
L, T, R, F	35.	14-6608	Screw, short, inner timing cover ($\frac{1}{4}$ " U.N.C. \times 1")	

*Special material: 1.—EN15.



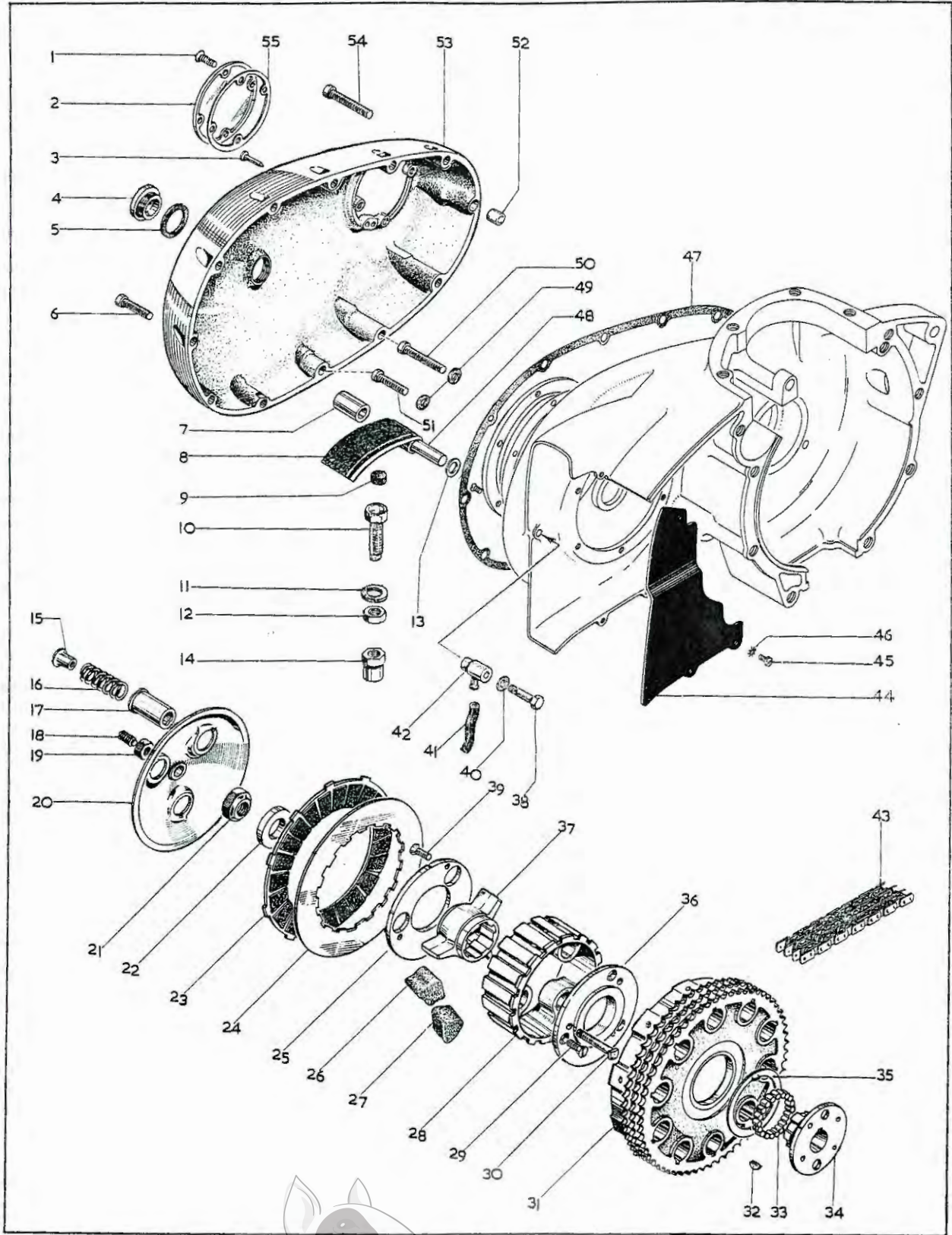


Plate 9

CLUTCH AND PRIMARY CHAINCASE

Model	Code	Spares No.	Description	Per Set
L, T, R, F	1.	76-4116	Screw, inspection cover (2BA × 7/16")	4
L, T, R, F	2.	70-9114	Inspection cover, primary case	
L, T, R, F	3.	68-841	Ignition timing pointer	
L, T, R, F	4.	70-9816	Plug, primary chaincase	2
L, T, R, F	5.	70-8782	Fibre washer, for plug line 4	2
L, T, R, F	6.	21-1854	Screw, short, primary cover (1/4" U.N.C. × 1-7/16")	6
L, T, R, F	7.	68-376	Spacer tube, tensioner pivot	
L, T, R, F	8.	70-8310	Tensioner, primary chain	
L, T, R, F	9.	68-249	Insert, tensioner screw	
L, T, R, F	10.	70-7793	Adjuster screw, tensioner (7/16" B.S.F.)	
L, T, R, F	11.	68-861	Oil seal washer, tensioner screw	
L, T, R, F	12.	68-237	Adjuster locknut, tensioner (7/16" B.S.F.)	
L, T, R, F	13.	15-804	Tensioner pivot washer	
L, T, R, F	14.	68-377	Cap nut, adjuster screw (7/16" B.S.F.)	
L, T, R, F	15.	42-3199	Nut, clutch spring (1/4" B.S.C.)	3
L, T, R, F	16.	68-3321	Clutch spring	3
L, T, R, F	17.	68-3287	Clutch spring cup	3
L, T, R, F	18.	68-3308	Clutch adjuster screw	
L, T, R, F	19.	14-403	Locknut, adjuster screw (3/8" U.N.F.)	
L, T, R, F	20.	68-3305	Clutch pressure plate	
L, T, R, F	21.	68-3320	Clutch mainshaft nut	
L, T, R, F	22.	68-3169	Spacer, mainshaft nut	
L, T, R, F	23.	42-3192	Clutch driving plate	6
L, T, R, F	24.	57-1363	Clutch driven plate	6
L, T, R, F	25.	68-3283	Outer retaining plate, cush drive	
L, T, R, F	26.	68-3281	Cush drive rubber	3
L, T, R, F	27.	68-3282	Rebound rubber, cush drive	3
L, T, R, F	28.	68-3275	Clutch centre	
L, T, R, F	29.	42-3183	Screw, inner plate to centre (1BA × 35/64" countersunk)	3
L, T, R, F	30.	42-3189	Clutch spring pin (1/4" B.S.C. × 1 3/4")	3
L, T, R, F	31.	68-2773	Clutch chainwheel (58T)	
L, T, R, F	32.	68-3218	Key, sleeve to mainshaft	
L, T, R, F	33.	42-3206	Roller, clutch chainwheel	20
L, T, R, F	34.	68-3277	Clutch sleeve	
L, T, R, F	35.	68-3278	Thrust washer clutch sleeve	
L, T, R, F	36.	68-3280	Inner retaining plate, cush drive	
L, T, R, F	37.	68-3276	Spider, cush drive	
L, T, R, F	38.	70-9217	Bolt, rear chain oiler (1/4" U.N.C. × 1 3/8")	
L, T, R, F	39.	42-3183	Screw, outer plate to centre	3
L, T, R, F	40.	66-7518	Fibre washer, for bolt line 38	
L, T, R, F	41.	40-375	Pipe, rear chain oiler	
L, T, R, F	42.	68-383	Rear chain oiler	
L, T, R, F	43.	19-8639	Primary chain (3/8" Triplex, 80 pitch)	
L, T, R, F	44.	68-360	Cover plate, rear crankcase	
L, T, R, F	45.	76-2514	Screw, cover plate (2BA × 21/64")	3
L, T, R, F	46.	29-3319	Lockwasher, for screw line 45 (.200" × .400" × .021")	3
L, T, R, F	47.	70-7854	Gasket, primary chaincase cover	
L, T, R, F	48.	68-375	Tensioner pivot pin	
L, T, R, F	49.	40-740	Washer, for oil level and drain screws	2
L, T, R, F	50.	21-1855	Oil level screw	
L, T, R, F	51.	21-1856	Oil drain screw	
L, T, R, F	52.	66-3074	Hollow dowel	
L, T, R, F	53.	70-9112	Primary chain cover complete	
L, T, R, F	54.	14-6611	Screw, long, primary cover (1/4" U.N.C. × 1 3/4")	4
L, T, R, F	55.	68-840	Gasket, inspection cover	
L, T, R, F		68-3270	Clutch complete	



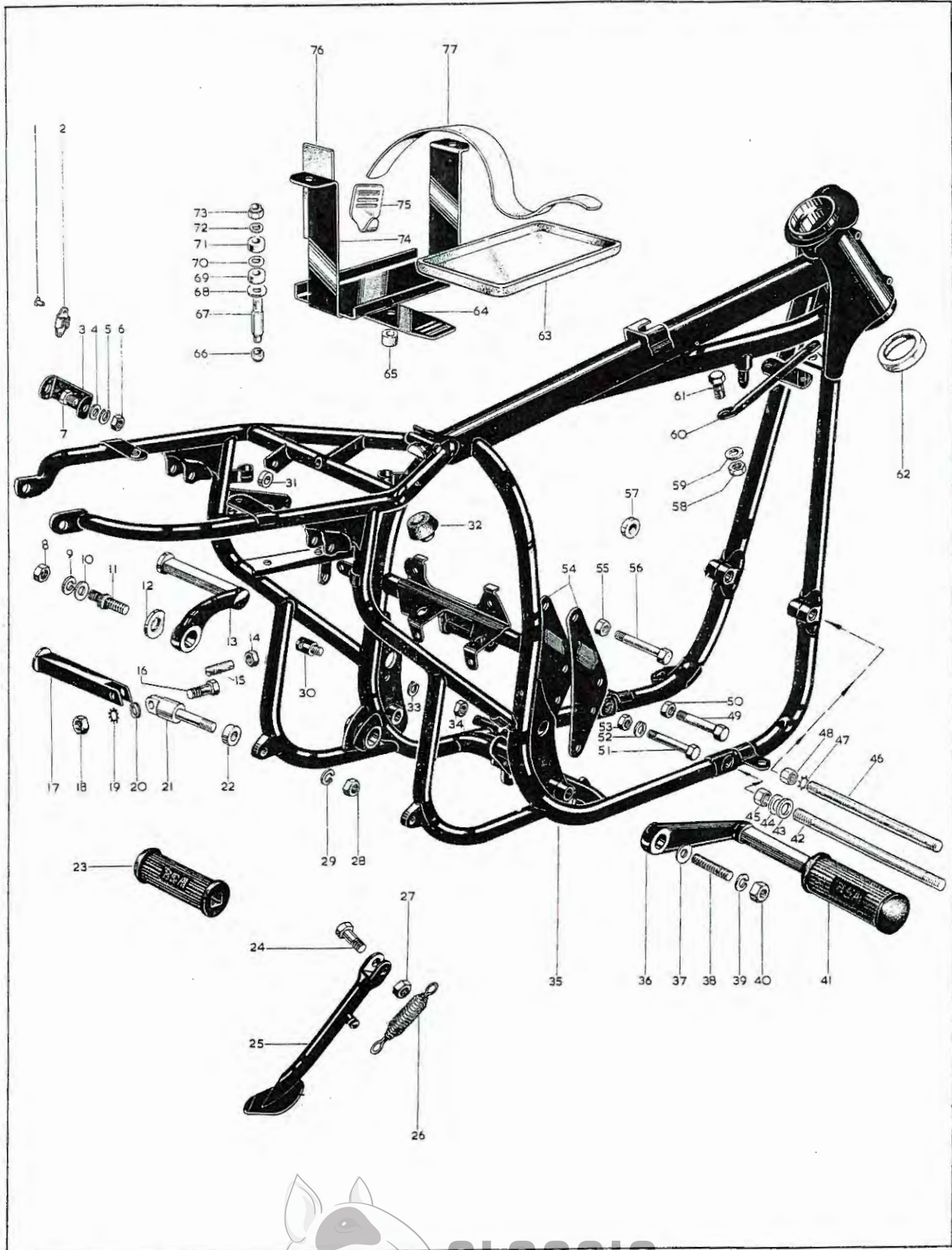
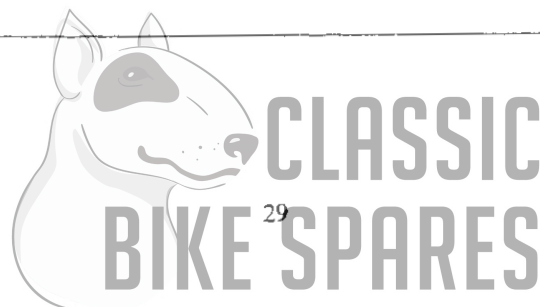


Plate 10

FRAME, FOOTRESTS, BATTERY CARRIER

Model	Code	Spares No.	Description	Per Set
L, T, R, F	1.	68-9337	Rivet for 'Oddie' clip	6
L, T, R, F	2.	68-9115	'Oddie' clip, sidecover	3
L, T, R, F	3.	68-9251	Sidecover fastener bracket, left-hand, rear	
L, T, R, F	4.	2-923	Washer, for bolt line 7	
L, T, R, F	5.	24-8784	Spring washer, for nut line 6 ($\frac{5}{16}'' \times \frac{5}{8}'' \times .040''$)	
L, T, R, F	6.	14-302	Nut, for bolt line 7 ($\frac{5}{16}''$ U.N.F.)	
L, T, R, F	7.	14-115	Bolt, fastener bracket to frame ($\frac{5}{16}''$ U.N.F. $\times \frac{7}{8}''$)	
L, T, R	8.	29-5839	Nut, footrest, left-hand ($\frac{7}{16}''$ B.S.C. left-hand thread)	
L, T, R	9.	2-1967	Spring washer, for nut line 8 ($\frac{7}{16}'' \times \frac{7}{8}'' \times \frac{1}{16}''$)	
L, T, R	10.	2-1945	Washer, footrest, left-hand ($\frac{7}{16}'' \times \frac{7}{8}'' \times \frac{1}{16}''$)	
L, T, R	11.	68-4804	Footrest stud, left-hand	
L, T, R	12.	40-4818	Footrest lock plate, left-hand	
L, T, R	13.	68-4802	Footrest, left-hand	
L, T, R, F	14.	2-1027	Nut, for screw line 15 ($\frac{1}{4}''$ B.S.C.)	
L, T, R, F	15.	68-4096	Set-screw, brake pedal adjuster ($\frac{1}{4}''$ B.S.C.)	
L, T, R, F	16.	14-215	Pivot bolt, pillion footrest ($\frac{5}{16}''$ U.N.F. $\times 1''$)	2
L, T, R, F	17.	68-4835	Pillion footrest	2
L, T, R, F	18.	14-402	Nut, for pivot bolt line 16 ($\frac{5}{16}''$ U.N.F.)	2
L, T, R, F	19.	36-382	Lockwasher, for nut line 18 ($\frac{5}{16}''$)	2
L, T, R, F	20.	4-2276	Washer, pillion footrest	2
L, T, R, F	21.	68-4828	Anchor bolt, pillion footrest	2
L, T, R, F	22.	29-7565	Distance piece, anchor bolt	2
L, T, R, F	23.	82-9603	Pillion footrest rubber	2
L, T, R, F	24.	42-4793	Pivot bolt, prop stand ($\frac{7}{16}''$ B.S.C. $\times 1\frac{5}{16}''$)	
L, T, R, F	25.	42-4778	Prop stand complete	
L, T, R, F	26.	82-8382	Prop stand spring	
L, T, R, F	27.	15-734	Nut, for pivot bolt line 24 ($\frac{7}{16}''$ B.S.C.)	
L, T, R, F	28.	14-303	Nut, for anchor bolt line 21 ($\frac{3}{8}''$ U.N.F.)	2
L, T, R, F	29.	2-522	Spring washer, for nut line 28 ($\frac{3}{8}'' \times \frac{3}{4}'' \times .056''$)	2
L, T, R, F	30.	68-4095	Adjuster post, brake pedal	
L, T, R, F	31.	15-7563	Distance piece for bracket line 3,	
L, T, R, F	32.	68-8315	Locating rubber, oil tank	3
L, T, R	33.	24-8784	Spring washer, adjuster post ($\frac{5}{16}'' \times \frac{5}{8}'' \times .040''$)	
L, T, R	34.	2-49	Nut, for adjuster post ($\frac{1}{8}''$ B.S.C.)	
L, T, R, F	35.	82-9567	Frame complete less centre stand	
L, T, R	36.	68-4803	Footrest, right-hand	
L, T, R	37.	2-1945	Washer, footrest stud, right-hand	
L, T, R	38.	68-4805*	Stud, footrest, right-hand ($\frac{7}{16}''$ B.S.C./B.S.F. $\times 2\frac{3}{16}''$)	
L, T, R	39.	2-1967	Spring washer, for nut line 40 ($\frac{7}{16}'' \times \frac{7}{8}'' \times \frac{1}{16}''$)	
L, T, R	40.	2-1925	Nut, footrest, right-hand ($\frac{7}{16}''$ B.S.C.)	
L, T, R	41.	82-9602	Footrest rubber	2
L, T, R, F	42.	68-4260*	Stud, bottom engine mounting ($\frac{3}{8}''$ B.S.C. $\times 9\frac{3}{4}''$)	



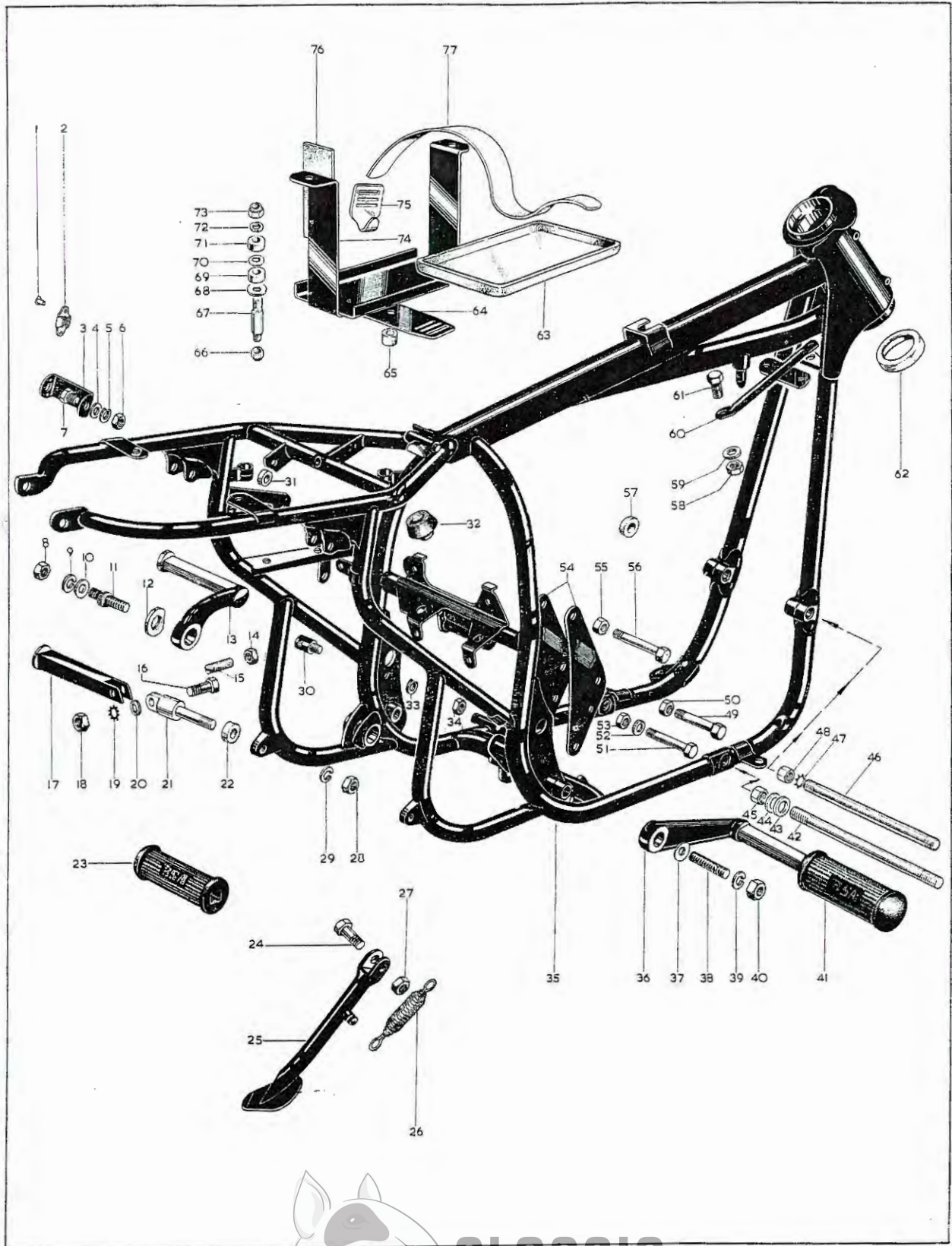
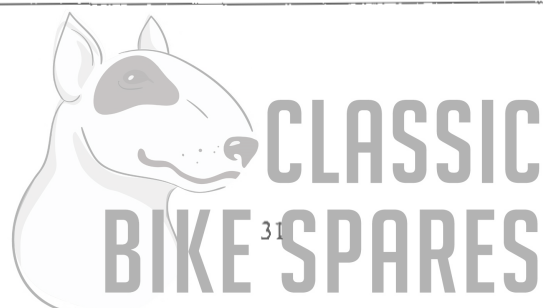


Plate 10—continued

FRAME, FOOTRESTS, BATTERY CARRIER

Model	Code	Spares No.	Description	Per Set
L, T, R, F	43.	27-5676	Spacing washer, lower engine mounting	4
L, T, R, F	44.	2-1733	Washer, bottom engine stud ($\frac{3}{8}$ " \times $13/16$ " \times $\frac{1}{16}$ ")	2
L, T, R, F	45.	42-4475	Nut, bottom engine stud ($\frac{3}{8}$ " B.S.C.)	2
L, T, R	46.	68-4088	Stud, front engine mounting ($\frac{7}{16}$ " B.S.C.)	
F	46.	21-779	Stud, front engine mounting ($\frac{7}{16}$ " U.N.F.)	
L, T, R	47.	66-4708	Lockwasher, front engine stud ($\frac{7}{16}$ "	2
L, T, R	48.	2-1925	Nut, for stud 68-4088 ($\frac{7}{16}$ " B.S.C.)	2
F	48.	14-304	Nut, for stud 21-779 ($\frac{7}{16}$ " U.N.F.)	2
L, T, R, F	49.	14-252	Bolt, engine mounting plate ($\frac{7}{16}$ " U.N.F. \times $2\frac{1}{2}$ ")	
L, T, R, F	50.	14-804	Nut, for bolt line 49 ($\frac{7}{16}$ " U.N.F.)	
L, T, R, F	51.	14-224	Bolt, rear engine mounting ($\frac{5}{16}$ " U.N.F. \times $2\frac{3}{4}$ ")	
L, T, R, F	52.	24-8784	Spring washer, for nut line 53 ($\frac{5}{16}$ " \times $\frac{5}{8}$ " \times .040")	
L, T, R, F	53.	14-302	Nut, for bolt line 51 ($\frac{5}{16}$ " U.N.F.)	
L, T, R, F	54.	68-4080	Rear engine plate	2
L, T, R, F	55.	14-803	Nut, for bolt line 56 ($\frac{3}{8}$ " U.N.F.)	2
L, T, R, F	56.	14-240	Bolt, top, engine plate mounting ($\frac{3}{8}$ " U.N.F. \times $3\frac{1}{4}$ ")	
L, T, R, F	56.	14-239	Bolt, bottom engine plate mounting ($\frac{3}{8}$ " U.N.F. \times 3 ")	
F, T, R	57.	68-4906	Spacer, front, engine mounting	
L, T, R, F	58.	14-803	Nut, for bolt line 62 ($\frac{3}{8}$ " U.N.F.)	
L, T, R, F	59.	68-582	Washer, for bolt line 62 ($\frac{3}{8}$ " \times $\frac{3}{4}$ " \times .048")	
T, R, F	60.	68-4090	Engine steady stay	
L	60.	82-9788	Engine steady stay	
L, T, R, F	61.	14-232	Bolt, steady stay to head ($\frac{3}{8}$ " U.N.F. \times $1\frac{3}{8}$ ")	
L, T, R, F	62.	66-4149	Steering head cup	2
L, T, R, F	63.	68-4597	Rubber tray, battery carrier	
L, T, R, F	64.	68-4578	Battery strap retaining plate	
L, T, R, F	65.	68-4559	Rubber bush, retaining plate	
L, T, R, F	66.	40-414	Nut, battery carrier stud ($\frac{1}{4}$ " B.S.C.)	2
L, T, R, F	67.	82-9024	Stud, battery carrier ($\frac{1}{4}$ " B.S.C.)	2
L, T, R, F	68.	76-101	Washer, bottom, battery carrier (.265" \times $\frac{3}{4}$ " \times .080")	2
L, T, R, F	69.	68-4560	Rubber bush, battery carrier	2
L, T, R, F	70.	29-8740	Washer, centre, battery carrier ($9/16$ " \times 1 " \times $\frac{1}{16}$ ")	2
L, T, R, F	71.	68-4560	Rubber bush, battery carrier	2
L, T, R, F	72.	40-2705	Washer, top, battery carrier ($19/64$ " \times $15/32$ " \times $\frac{1}{16}$ ")	2
L, T, R, F	73.	40-414	Nut, battery carrier stud ($\frac{1}{4}$ " B.S.C.)	2
L, T, R, F	74.	68-4595	Battery carrier complete	
L, T, R, F	75.	4-2608	Hook, battery carrier strap	
L, T, R, F	76.	82-8255	Rubber strip, battery carrier	2
L, T, R, F	77.	68-4577	Strap, battery carrier	

*Special material: 38.—EN14B. 42.—EN15.



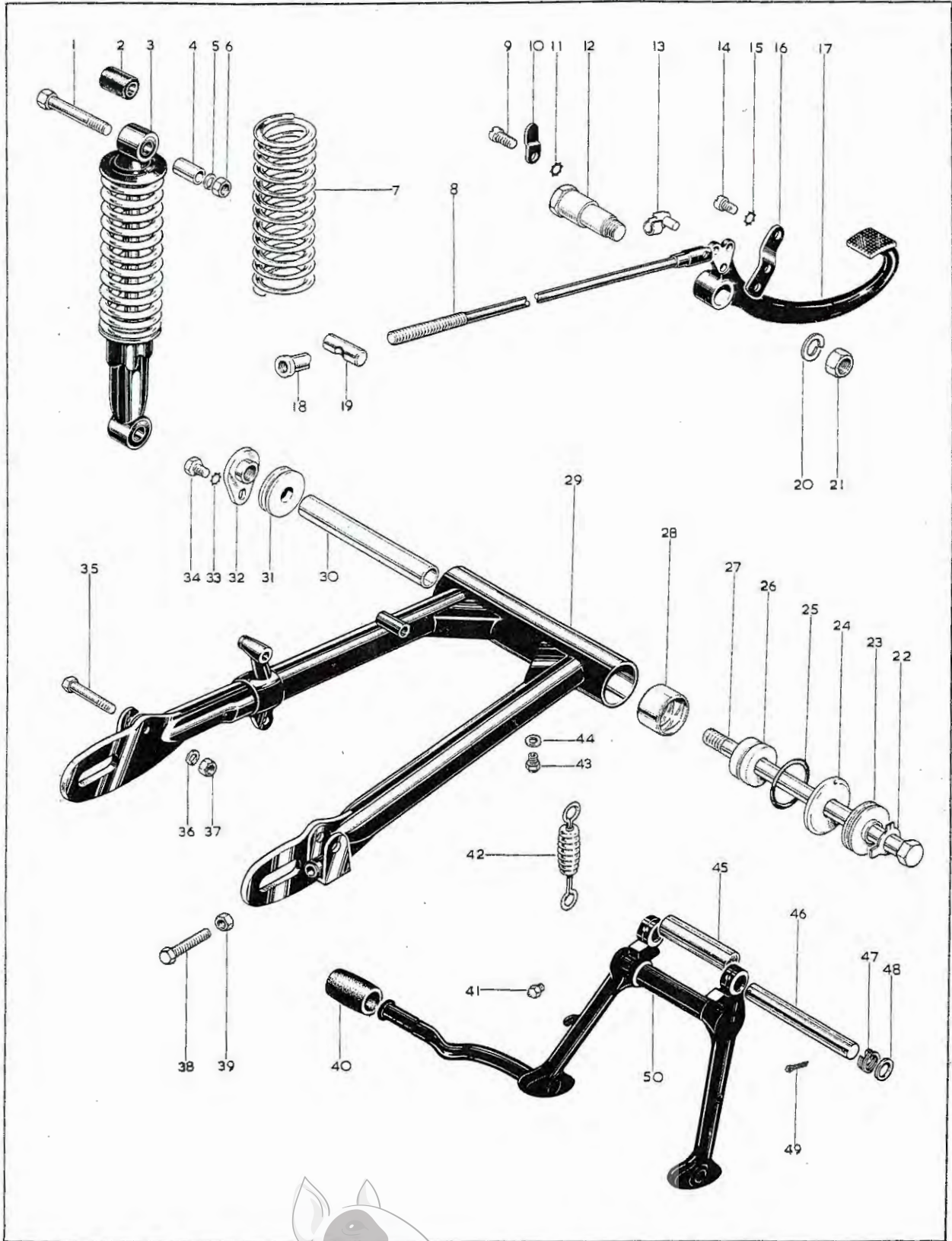


Plate 11

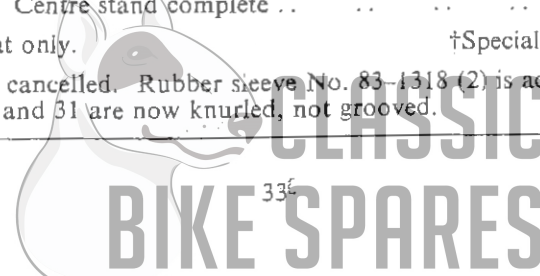
SWINGING ARM, CENTRE STAND, REAR BRAKE CONTROL

Model	Code	Spares No.	Description	Per Set
L, T, R, F	1.	14-236	Bolt, damper top mounting, right-hand ($\frac{3}{8}$ " U.N.F. \times 2 $\frac{1}{4}$ ")
L, T, R, F	1.	14-238	Bolt, damper top mounting, left-hand ($\frac{3}{8}$ " U.N.F. \times 2 $\frac{3}{4}$ ")
L, T, R, F	2.	19-5305	Damper bush (Girling 64533645) 4
L, T, R, F	3.	19-7448	Rear damper complete, solo, (Girling S.4971) 2
L, T, R, F	3.	19-7449	Rear damper complete, sidecar (Girling S.4456) 2
L, T, R, F	4.	68-4906	Spacer, left-hand, mudguard bridge
L, T, R, F	4.	40-4909	Spacer, right-hand, mudguard bridge
L, T, R	4.	68-4286*	Spacer, left-hand, mudguard bridge
L, T, R	4.	42-4907*	Spacer, right-hand, mudguard bridge
L, T, R, F	5.	2-522	Spring washer, for nut line 6 ($\frac{3}{8}$ " \times $\frac{3}{4}$ " \times .056") 2
L, T, R, F	6.	14-303	Nut, for bolt line 1 ($\frac{3}{8}$ " U.N.F.) 2
L, T, R, F	7.	19-7439	Damper spring, solo, (Girling 64543735) 2
L, T, R, F	7.	19-7450	Damper spring, sidecar (Girling 64544120) 2
L, T, R, F	8.	68-7062	Rear brake rod complete
L, T, R, F	9.	2-1309	Screw, stop lever to switch arm ($\frac{3}{16}$ " B.S.C. \times 1 $\frac{1}{32}$ ")
L, T, R, F	10.	68-7013	Stop switch actuating lever
L, T, R, F	11.	29-3319	Lockwasher, for lever line 10 ($\frac{3}{16}$ ")
L, T, R, F	12.	68-7055	Pivot bolt, brake pedal ($\frac{5}{8}$ " B.S.C.)
L, T, R, F	13.	37-2006	Spring pin, brake rod to pedal
L, T, R, F	14.	2-79	Screw, switch arm to pedal ($\frac{1}{4}$ " B.S.C. \times $\frac{1}{2}$ ") 2
L, T, R, F	15.	29-541	Lockwasher, for screw line 14 ($\frac{1}{4}$ ") 2
L, T, R, F	16.	68-7052	Stop switch arm, brake pedal
L, T, R, F	17.	68-7050	Rear brake pedal
L, T, R, F	18.	90-7029	Adjuster nut, brake rod ($\frac{1}{4}$ " B.S.F.)
L, T, R, F	19.	65-6274	Swivel pin, brake rod
L, T, R, F	20.	25-6015	Spring washer, for nut line 21
L, T, R, F	21.	42-5883	Nut, for pivot bolt line 12 ($\frac{5}{8}$ " B.S.C.)
L, T, R, F	22.	82-9541	Lockwasher, swinging arm security bolt
L, T, R, F	23.	82-9537	Spacer, swinging arm, right-hand
L, T, R, F	24.	82-7848	Seal housing 2
L, T, R, F	25.	82-8090	'O' ring seal 2
L, T, R, F	26.	82-6821	Bobbin, swinging arm 2
L, T, R, F	27.	21-1827†	Security bolt, swinging arm ($\frac{9}{16}$ " U.N.F. \times 10 $\frac{3}{16}$ ")
L, T, R, F	28.	82-6042	Bush, swinging arm 2
L, T, R, F	29.	82-9532	Swinging arm with bushes
L, T, R, F	30.	82-9538	Spacer tube, swinging arm
L, T, R, F	31.	82-9536	Spacer, swinging arm, left-hand
L, T, R, F	32.	82-9539	Lock plate, swinging arm
L, T, R, F	33.	36-382	Lockwasher, for bolt line 34 ($\frac{5}{16}$ ")
L, T, R, F	34.	14-113	Bolt, lock plate ($\frac{5}{16}$ " U.N.F. \times $\frac{5}{8}$ ")
L, T, R, F	35.	3-1399	Bolt, damper bottom mounting, right-hand ($\frac{3}{8}$ " B.S.C. \times 1 $\frac{3}{4}$ ")
L, T, R, F	35.	40-6910	Bolt, damper bottom mounting, left-hand ($\frac{3}{8}$ " B.S.C. \times 1 $\frac{7}{8}$ ")
L, T, R, F	36.	2-522	Spring washer, damper bottom mounting ($\frac{3}{8}$ " \times $\frac{3}{4}$ " \times .056") 2
L, T, R, F	37.	68-4235	Nut, damper bottom mounting ($\frac{3}{8}$ " B.S.C.) 2
L, T, R, F	38.	68-4150	Screw, wheel adjuster ($\frac{5}{16}$ " B.S.C.) 2
L, T, R, F	39.	24-563	Locknut, wheel adjuster ($\frac{5}{16}$ " B.S.C.) 2
L, T, R, F	40.	89-3208	Rubber, centre stand
L, T, R, F	41.	28-2080	Grease nipple, centre stand 2
L, T, R, F	42.	68-4708	Return spring, centre stand
L, T, R, F	43.	47-9012	Grease nipple, swinging arm
L, T, R, F	44.	54-4302	Fibre washer for grease nipple
L, T, R, F	45.	42-4745	Spacer tube, centre stand
L, T, R, F	46.	42-4744	Pivot bar, centre stand
L, T, R, F	47.	3-1346	Spring washer, centre stand ($\frac{17}{32}$ " \times $\frac{7}{8}$ " \times .040")
L, T, R, F	48.	15-39	Washer, centre stand ($\frac{1}{2}$ " \times $\frac{27}{32}$ " \times $\frac{1}{16}$ ") 2
L, T, R, F	49.	60-2722	Split pin, centre stand ($\frac{3}{32}$ " \times $\frac{3}{4}$ ") 2
L, T, R, F	50.	68-4729	Centre stand complete

*For use with short seat only.

†Special material: 27.—EN8R.

NOTE—Codes 24 and 25 are now cancelled. Rubber sleeve No. 83-1318 (2) is added to distance pieces 23 and 31 but is not illustrated. 23 and 31 are now knurled, not grooved.



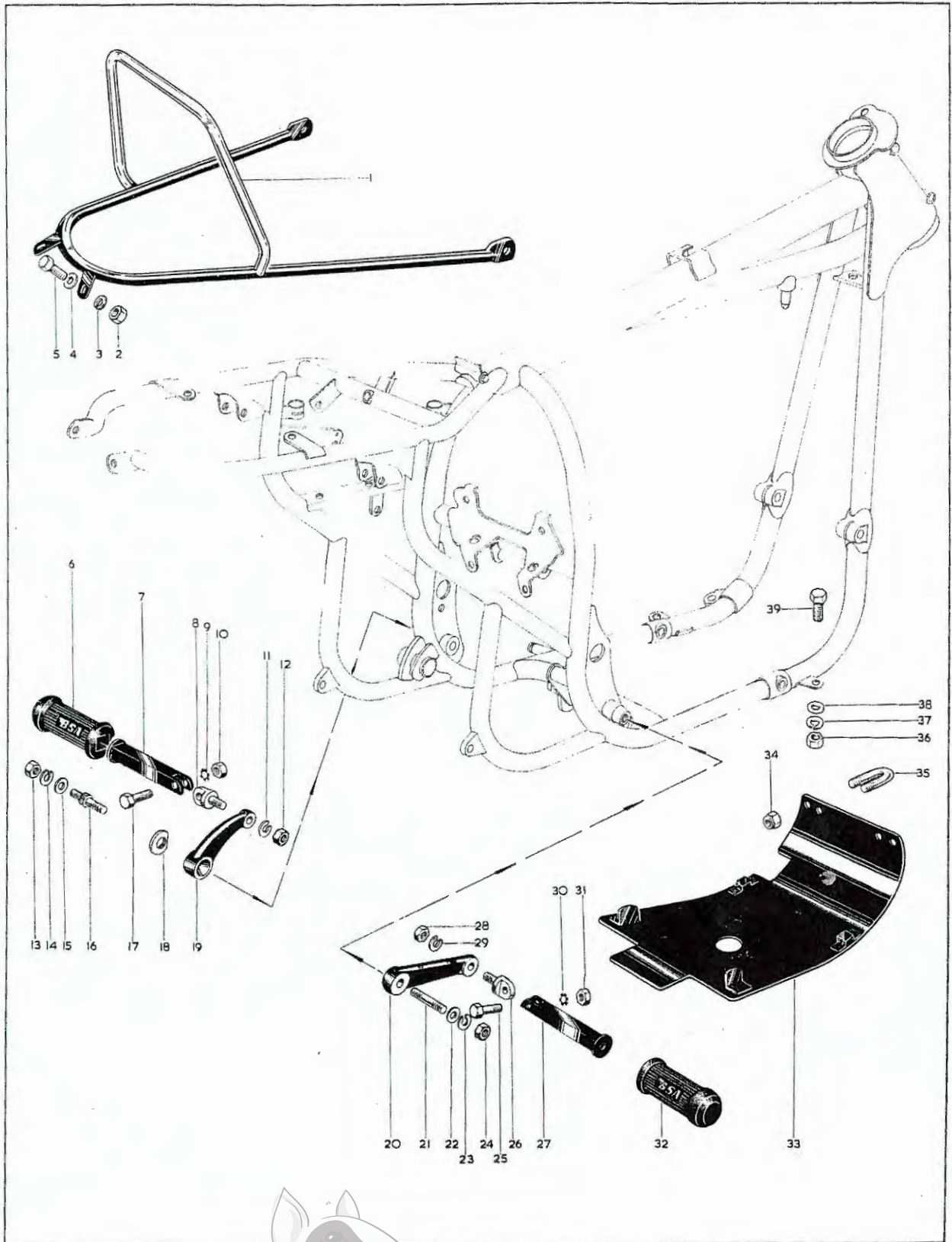
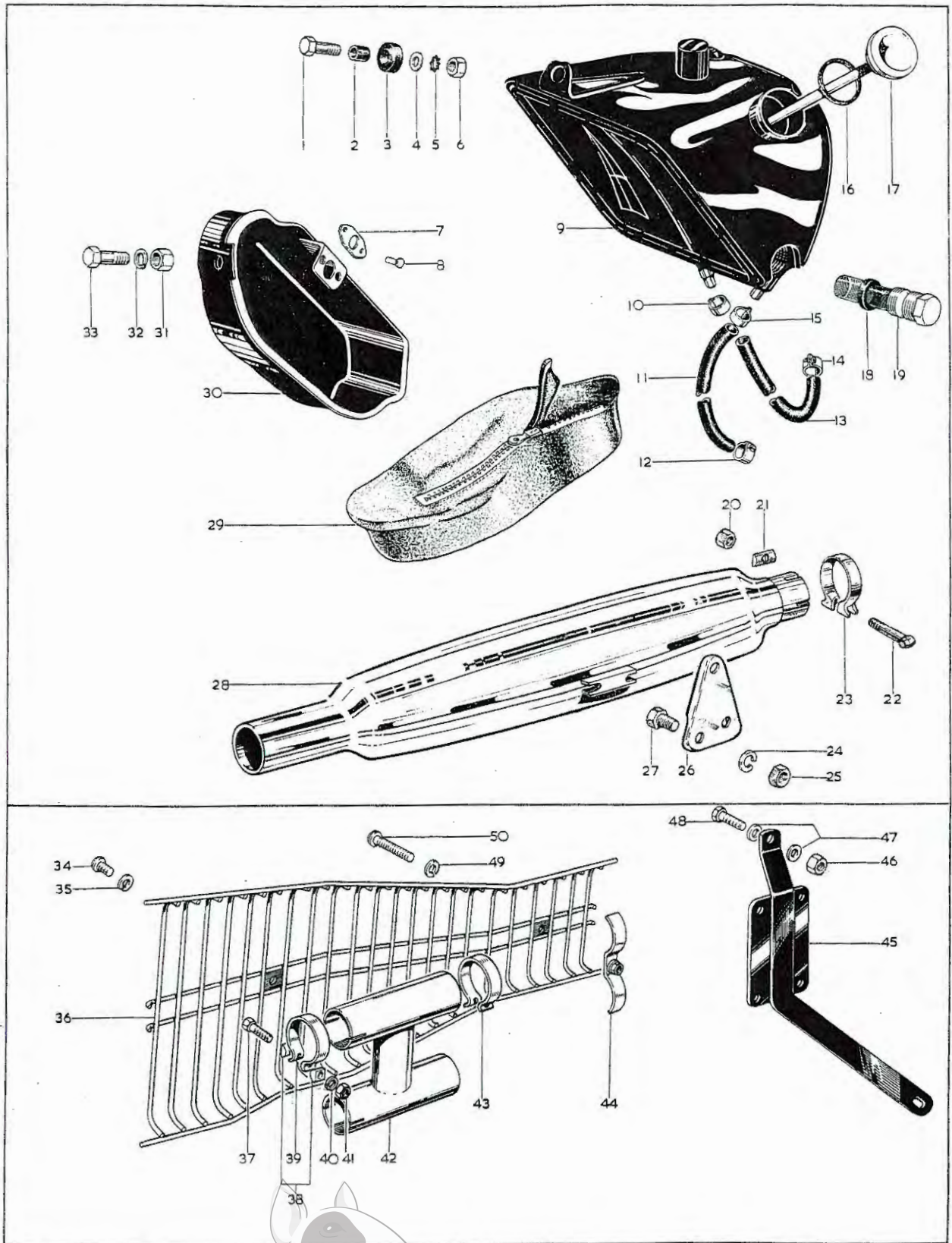


Plate 12

FOLDING FOOTRESTS, CRANKCASE SHIELD

Model	Code	Spares No.	Description	Per Set
L, T, R	1.	82-9600	Handrail, support rail	
F	1.	82-9967	Handrail, support rail	
L, T, R, F	2.	14-302	Nut, support rail to frame ($\frac{5}{16}$ " U.N.F.)	2
L, T, R, F	3.	24-8784	Spring washer, for nut line 2 ($\frac{5}{16}$ " \times $\frac{5}{8}$ " \times .040")	2
L, T, R, F	4.	2-923	Washer, for nut line 2 ($\frac{5}{16}$ " \times $\frac{5}{8}$ " \times $\frac{1}{16}$ ")	2
L, T, R, F	5.	14-113	Bolt, support rail to frame ($\frac{1}{16}$ " U.N.F. \times $\frac{5}{8}$ ")	4
F	6.	82-9608	Footrest rubber	
F	7.	42-4926	Folding footrest, left-hand	
F	8.	65-4917	Anchor bolt, left-hand	
F	9.	36-382	Lockwasher, pivot bolt	
F	10.	14-402	Nut, pivot bolt ($\frac{5}{16}$ " U.N.F.)	
F	11.	2-522	Spring washer, for nut line 12 ($\frac{3}{8}$ " \times $\frac{3}{4}$ " \times .048")	
F	12.	2-46	Nut, anchor bolt to frame ($\frac{3}{8}$ " B.S.C.)	
F	13.	29-5839	Nut, footrest stud, left-hand ($\frac{7}{16}$ " B.S.C.)	
F	14.	2-1967	Spring washer, for nut line 13	
F	15.	2-1945	Washer, for nut line 13 ($\frac{7}{16}$ "	
F	16.	68-4804	Footrest stud, left-hand	
F	17.	14-215	Pivot bolt, folding footrest	
F	18.	40-4818	Lock plate, for stud line 16	
F	19.	68-4808	Footrest bracket, left-hand	
F	20.	68-4809	Footrest bracket, right-hand	
F	21.	68-4805	Footrest stud, right-hand	
F	22.	2-1945	Washer, for nut line 24 ($\frac{7}{16}$ "	
F	23.	2-1967	Spring washer, for nut line 24 ($\frac{7}{16}$ "	
F	24.	2-1925	Nut, footrest stud, right-hand ($\frac{7}{16}$ " B.S.C.)	
F	25.	14-215	Pivot bolt, folding footrest ($\frac{1}{16}$ " U.N.F. \times 1")	
F	26.	65-4917	Anchor bolt, right-hand ($\frac{3}{8}$ " B.S.C.)	
F	27.	42-4926	Folding footrest, right-hand	
F	28.	2-46	Nut, anchor bolt to frame ($\frac{3}{8}$ " B.S.C.)	
F	29.	2-522	Spring washer, for nut line 28 ($\frac{3}{8}$ "	
F	30.	36-382	Lockwasher, for nut line 31	
F	31.	14-402	Nut, pivot bolt ($\frac{5}{16}$ " U.N.F.)	
F	32.	82-9608	Footrest rubber	
F	33.	68-2001	Crankcase shield	
F	34.	42-3249	Nut, crankcase shield 'U' bolt ($\frac{1}{4}$ " B.S.C.)	4
F	35.	68-2004	'U' bolt, crankcase shield	2
L, T, R	36.	14-302	Nut, exhaust pipe to frame ($\frac{5}{16}$ " U.N.F.)	2
L, T, R	37.	24-8784	Spring washer, for nut line 36 ($\frac{5}{16}$ "	2
L, T, R	38.	2-923	Washer, for nut line 36 ($\frac{5}{16}$ " \times $\frac{5}{8}$ " \times $\frac{1}{16}$ ")	2
L, T, R	39.	14-114	Bolt, exhaust pipe to frame ($\frac{1}{16}$ " U.N.F. \times $\frac{3}{4}$ ")	2





OIL TANK, TOOLBOX, SILENCERS

Model	Code	Spares No.	Description	Per Set
L, T, R, F	1.	14-221	Bolt, oil tank mounting ($\frac{5}{16}$ " U.N.F. \times 2")
L, T, R, F	2.	68-8317	Spacer, oil tank mounting
L, T, R, F	3.	68-8334	Rubber, oil tank mounting
L, T, R, F	4.	2-923	Washer, oil tank mounting ($\frac{5}{16}$ " \times $\frac{5}{8}$ " \times $\frac{1}{16}$ ")
L, T, R, F	5.	36-382	Lockwasher, oil tank mounting
L, T, R, F	6.	14-302	Nut, oil tank mounting ($\frac{5}{16}$ " U.N.F.)
L, T, R, F	7.	68-9115	'Oddie' clip, sidecover
L, T, R, F	8.	68-9337	Rivet, 'Oddie' clip
L, T, R, F	9.	68-8378	Oil tank with fixed fittings
L, T, R, F	10.	68-8343	Clip, oil return pipe
L, T, R, F	11.	68-8383	Oil feed pipe
L, T, R, F	12.	68-8382	Clip, oil feed pipe
L, T, R, F	13.	68-8342	Oil return pipe
L, T, R, F	14.	68-8343	Clip, oil return pipe
L, T, R, F	15.	68-8382	Clip, oil feed pipe
L, T, R, F	16.	67-42	Washer, filler cap
L, T, R, F	17.	68-8368	Filler cap, oil tank
L, T, R, F	18.	68-610	'O' ring, oil tank filter
L, T, R, F	19.	68-8328	Oil tank filter
L, T, R	20.	21-5102	Nut, for bolt line 22 ($\frac{1}{4}$ " B.S.F.)
L, T, R	21.	90-3064	'D' washer, silencer clip
L, T, R	22.	90-3063	'T' bolt, silencer clip ($\frac{1}{4}$ " B.S.F.)
L, T, R	23.	42-2860	Clip, silencer to exhaust pipe
L, T, R, F	24.	2-1462	Spring washer, bracket to silencer ($\frac{1}{4}$ ")
L, T, R, F	25.	14-301	Nut, bracket to silencer ($\frac{1}{4}$ " U.N.F.)
L, T, R	26.	68-2781	Bracket, silencer, left-hand
L, T, R	26.	68-2780	Bracket, silencer, right-hand
L, T, R, F	27.	14-101	Bolt, bracket to silencer ($\frac{1}{4}$ " U.N.F. \times $\frac{1}{2}$ ")
L, T, R	28.	68-2732	Silencer
F	28.	70-9206	Silencer
L, T, R, F	29.	68-9134	Toolbag
L, T, R, F	30.	68-9131	Toolbox
L, T, R, F	31.	14-301	Nut, toolbox to frame ($\frac{1}{4}$ " U.N.F.)
L, T, R, F	32.	2-1462	Spring washer, toolbox to frame ($\frac{1}{4}$ ")
L, T, R, F	33.	14-101	Bolt, toolbox to frame ($\frac{1}{4}$ " U.N.F. \times $\frac{1}{2}$ ")
F	34.	21-1956	Screw, rear, heat shield ($\frac{1}{4}$ " U.N.F. \times $\frac{1}{16}$ ")
F	35.	2-1462	Spring washer, for screw line 34
F	36.	70-9716	Heat shield
F	37.	14-219	Bolt, exhaust pipe clip ($\frac{5}{16}$ " U.N.F. \times $1\frac{1}{2}$ ")
F	38.	75-2719	'D' washer, exhaust pipe clip
F	39.	70-5874	Exhaust pipe clip, rear
F	40.	54-8003	Spring washer, for nut line 41
F	41.	21-1908	Nut, exhaust pipe clip bolt ($\frac{5}{16}$ " U.N.F.)
F	42.	70-9698	'H' connector, exhaust pipes
F	43.	75-2725	Exhaust pipe clip, front
F	44.	70-9712	Heat shield bracket
F	45.	70-9699	Silencer bracket
F	46.	14-302	Nut, bracket bolt ($\frac{5}{16}$ " U.N.F.)
F	47.	2-923	Washer, bracket nut ($\frac{5}{16}$ " \times $\frac{5}{8}$ " \times $\frac{1}{16}$ ")
F	48.	14-114	Bolt, bracket to frame ($\frac{5}{16}$ " U.N.F. \times $\frac{3}{4}$ ")
F	49.	2-1462	Spring washer, for screw line 50 ($\frac{1}{4}$ ")
F	50.	21-1957	Screw, front, heat shield ($\frac{1}{4}$ " U.N.F. \times $1\frac{3}{4}$ ")



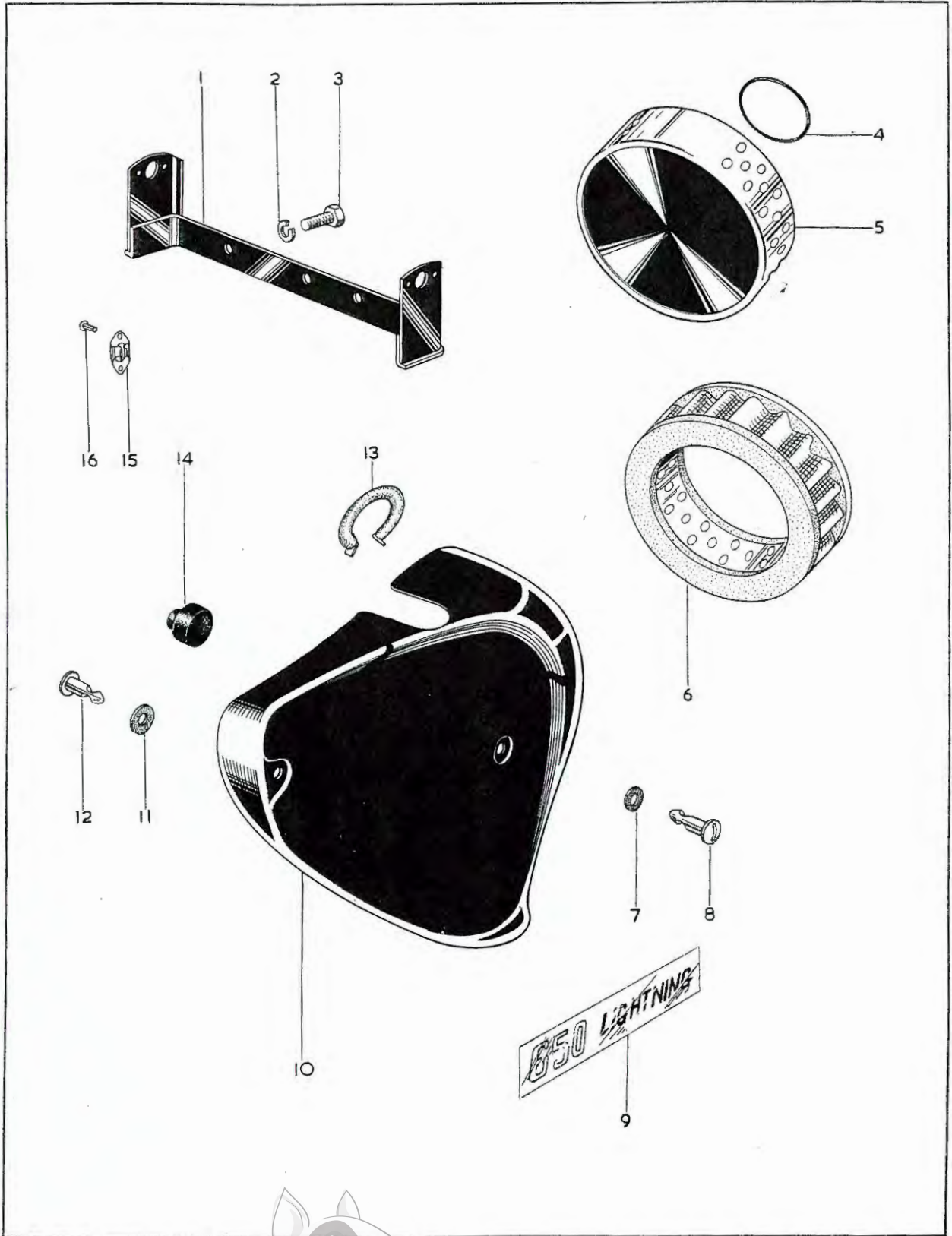


Plate 14

SIDECOVERS, AIR CLEANER

Model	Code	Spares No.	Description	Per Set
L, F	1.	82-8291	Sidecover bracket	
T, R	1.	68-9340	Sidecover bracket	
L, T, R, F	2.	2-1462	Spring washer, for bolt lines 3 ($\frac{1}{4}$ "	2
T, R	3.	41-7808	Bolt, coil clip and sidecover bracket ($\frac{1}{4}$ " B.S.C. \times $\frac{7}{8}$ "	2
L, F	3.	2-204	Bolt, sidecover bracket to frame ($\frac{1}{4}$ " B.S.C. \times $\frac{1}{2}$ "	2
L, T, R, F	4.	68-4606	'O' ring, air cleaner	2/1
L, F	5.	68-4635	Air cleaner	2
T	5.	82-8401	Air cleaner	
R	5.	82-8402	Air cleaner	
L, T, R, F	6.	68-5593	Air cleaner element	2/1
L, T, R, F	7.	68-9226	Rubber washer, 'Oddie' stud	5
L, T, R, F	8.	68-9223	'Oddie' stud	3
L (U.S.A.)	9.	60-1999	Transfer, sidecover	2
L	9.	60-840	Transfer, sidecover	2
T (U.S.A.)	9.	60-2003	Transfer, sidecover	2
R (U.S.A.)	9.	60-2005	Transfer, sidecover	2
F (U.S.A.)	9.	60-2007	Transfer, sidecover, right-hand	
F (U.S.A.)	9.	60-2107	Transfer, sidecover, left-hand	
T	9.	60-839	Transfer, sidecover	2
R	9.	60-838	Transfer, sidecover	2
L	10.	82-9805	Sidecover, left-hand	
L	10.	82-9806	Sidecover, right-hand	
R	10.	82-9850	Sidecover, left-hand	
R	10.	82-9851	Sidecover, right-hand	
T	10.	82-9846	Sidecover, left-hand	
T	10.	82-9847	Sidecover, right-hand	
F	10.	82-9724	Sidecover, left-hand	
F	10.	82-9472	Sidecover, right-hand	
L, T, R, F	11.	68-9227	Rubber washer, 'Oddie' stud	
L, T, R, F	12.	68-9287	'Oddie' stud, rear	
L, T, R, F	13.	68-9290	Sidecover buffer	3
L, T, R, F	13.	68-9298	Sidecover buffer	
L, T, R, F	14.	40-8046	Sidecover rubber pad	
L, T, R, F	15.	68-9115	'Oddie' clip	2
L, T, R, F	16.	68-9337	Rivet, 'Oddie' clip	4

NOTE—Code 4. 68-4606 Aircleaner 'O' ring, is now cancelled.



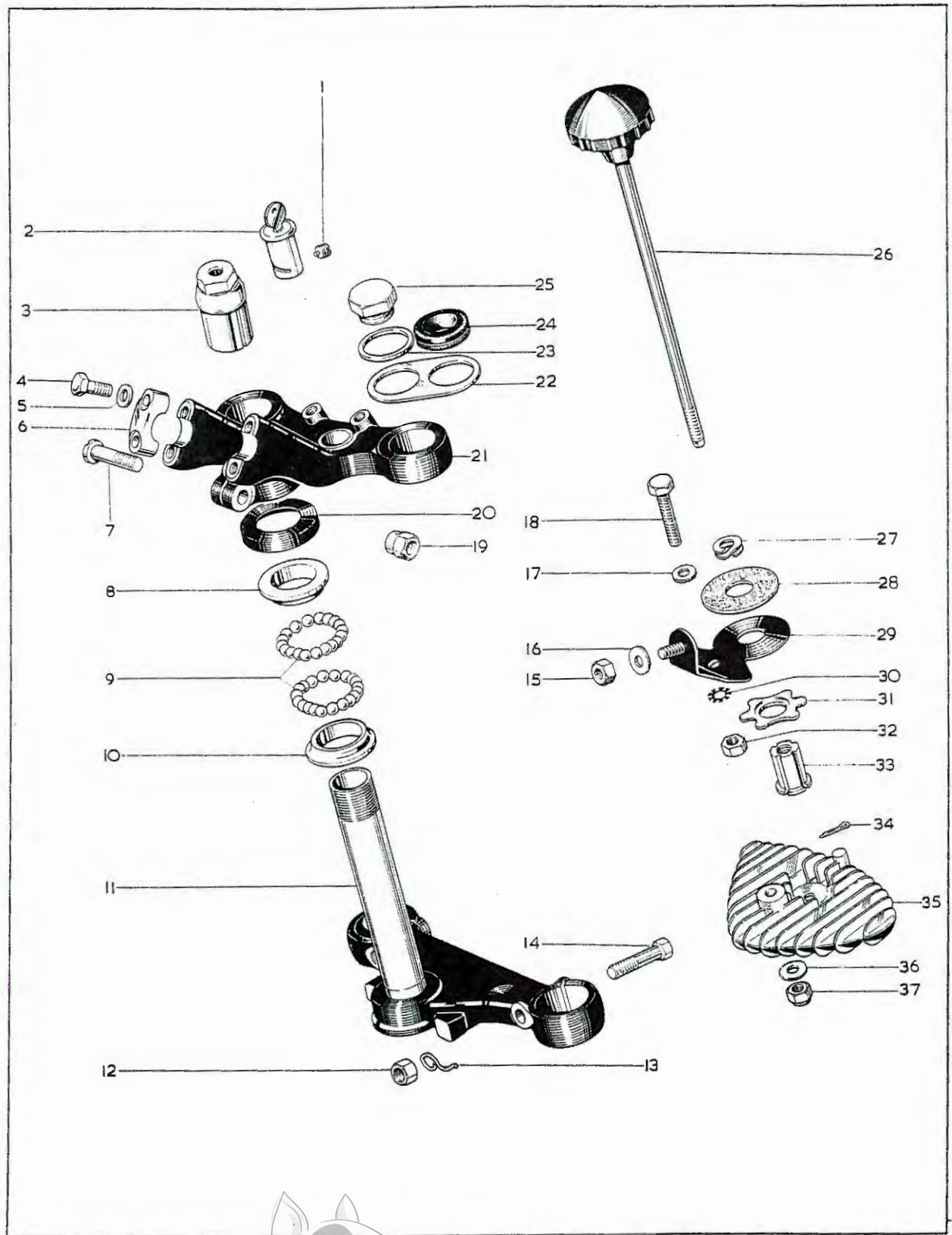


Plate 15

STEERING HEAD

Model	Code	Spares No.	Description	Per Set
L, T, R, F	1.	65-5446	Grub-screw, steering lock	
L, T, R, F	2.	68-5050*	Steering lock and key	
L, T, R, F	3.	97-2702	Steering nut and adjuster	
L, T, R, F	4.	68-5056	Bolt, handlebar clip ($\frac{5}{16}$ " B.S.C. \times $1\frac{1}{8}$ ")	4
L, T, R, F	5.	15-5155	Washer, for bolt line 4 ($.328$ " \times $.505$ " \times $.048$ ")	4
L, T, R, F	6.	65-5333	Handlebar clip	2
L, T, R, F	7.	27-5135	Bolt, top yoke clip ($\frac{3}{8}$ " B.S.C. \times $1-9/16$ ")	
L, T, R, F	8.	65-5126	Top cone, steering head	
L, T, R, F	9.	1-4675	Quarter-inch diameter ball, steering head	40
L, T, R, F	10.	65-5127	Bottom cone, steering head	
L, T, R, F	11.	68-5174	Bottom yoke and steering stem	
L, T, R, F	12.	14-303	Nut, for bolt line 14 ($\frac{3}{8}$ " U.N.F.)	2
L, T, R, F	13.	40-5090	Clip, front brake cable	
L, T, R, F	14.	21-785†	Pinch bolt, bottom yoke ($\frac{3}{8}$ " U.N.F. \times $2\frac{7}{16}$ ")	2
L, T, R, F	15.	14-302	Nut, damper anchor plate ($\frac{5}{16}$ " U.N.F.)	
L, T, R, F	16.	2-923	Washer, for nut line 15 ($\frac{5}{16}$ " \times $\frac{5}{8}$ " \times $\frac{1}{16}$ ")	
L, T, R, F	17.	2-923	Washer, heat sink and steady stay ($\frac{5}{16}$ " \times $\frac{5}{8}$ " \times $\frac{1}{16}$ ")	
L, T, R, F	18.	14-119	Bolt, heat sink and steady stay ($\frac{5}{16}$ " U.N.F. \times 2 ")	
L, T, R, F	19.	64-6016	Nut, for bolt 27-5135 ($\frac{3}{8}$ " B.S.C.)	
L, T, R, F	20.	66-5204	Dust cap for top cone	
L, T, R, F	21.	68-5129	Top yoke	
L, T, R, F	22.	68-5137‡	Cable guide bracket	2
L, T, R, F	23.	65-5332	Washer, for top cap nut line 25	2
L, T, R, F	24.	76-9325‡	Grommet, for guide bracket	2
L, T, R, F	25.	97-2245	Top cap nut ($1\frac{1}{16}$ " \times 28 turns per inch U.N.F.)	2
L, T, R, F	26.	97-2689	Steering damper rod complete	
L, T, R, F	27.	24-6035	Spring washer, damper rod	
L, T, R, F	28.	65-5380	Friction washer, steering damper	
L, T, R, F	29.	68-5185	Anchor plate, steering damper	
L, T, R, F	30.	36-382	Lockwasher, heat sink and steady stay ($\frac{5}{16}$ "	
L, T, R, F	31.	25-5247	Star washer, steering damper	
L, T, R, F	32.	14-402	Nut, heat sink and steady stay ($\frac{5}{16}$ " U.N.F.)	
L, T, R, F	33.	65-5328	Centre, steering damper	
L, T, R, F	34.	60-2720	Split pin, steering damper ($3/32$ " \times $1/2$ ")	
L, T, R, F	35.	68-9428	Heat sink for Zener diode	
L, T, R, F	36.	2-923	Washer, heat sink and steady stay ($\frac{5}{16}$ " \times $\frac{5}{8}$ " \times $\frac{1}{16}$ ")	
L, T, R, F	37.	14-802	Nut, heat sink and steady stay ($\frac{5}{16}$ " U.N.F.)	

*See page 8.

†Special material: 14.—EN15.

‡U.S.A. models only.

NOTE—Code 13. No. 40-5090 is replaced by 97-3682 cable retainer bracket and lockwasher No. 82-8245 is added to nut code 12.



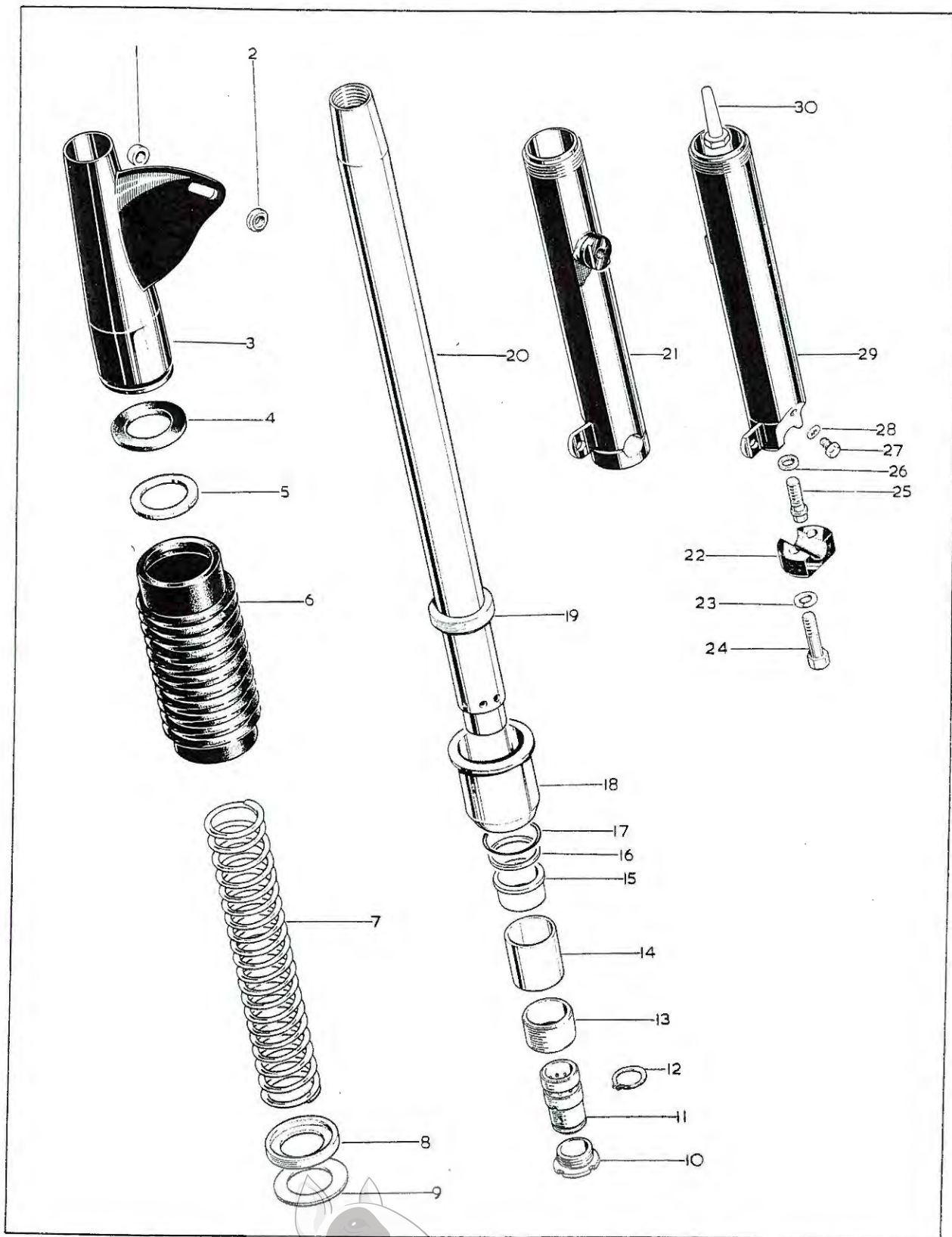


Plate 16

FRONT FORKS

Model	Code	Spares No.	Description	Per Set
L, T, R, F	1.	68-5108	Headlamp spacer	2
L, T, R, F	2.	68-5104	Headlamp bolt washer	2
L, T, R, F	3.	97-2510	Fork sleeve, left-hand	
L, T, R, F	3.	97-2512	Fork sleeve, right-hand	
L, T, R, F	4.	47-5065	Fork oil seal washer	2
L, T, R, F	5.	47-5064	Oil seal retainer	4
L, T, R, F	6.	97-3635	Fork bellows	2
L, T, R, F	7.	89-5036	Fork spring, solo	2
L, T, R	7.	42-5145	Fork spring, sidecar	2
L, T, R, F	8.	97-3638	Fork spring support	2
L, T, R, F	9.	97-1656	Washer, spring support	2
L, T, R, F	10.	97-2091	Fork bottom nut (1 $\frac{1}{16}$ " 28-2A U.N.F.)	2
L, T, R, F	11.	97-2154	Shuttle valve	2
L, T, R, F	12.	97-2127	Shuttle valve circlip	2
L, T, R, F	13.	75-5104	Fork lower bush	2
L, T, R, F	14.	97-3672	Fork inner sleeve	2
L, T, R, F	15.	75-5105	Fork top bush	2
L, T, R, F	16.	75-5088	Outer washer 'O' ring	2
L, T, R, F	17.	75-5199	Fork 'O' ring	2
L, T, R, F	18.	97-3633	Lower cover tube	2
L, T, R, F	19.	75-5099	Fork oil seal	2
L, T, R, F	20.	97-3637	Fork stanchion	2
L, T, R, F	21.	97-3641	Fork outer member, left-hand	
L, T, R, F	22.	97-3643	Fork end cap, left-hand	
L, T, R, F	22.	97-3647	Fork end cap, right-hand	
L, T, R, F	23.	54-8003	Spring washer, for bolt line 23	4
L, T, R, F	24.	14-218	Bolt, fork end cap	4
L, T, R, F	25.	97-2126*	Bolt, fork restrictor (1/4" U.N.F.)	2
L, T, R, F	26.	40-5069	Washer, for bolt line 24	2
L, T, R, F	27.	97-519	Fork drain plug	2
L, T, R, F	28.	54-42	Drain plug washer	2
L, T, R, F	29.	97-3645	Fork outer member, right-hand	
L, T, R, F	30.	97-2090	Fork restrictor	2
L, T, R, F		97-3624	Front fork complete	

*Special material: 25.—EN36T.



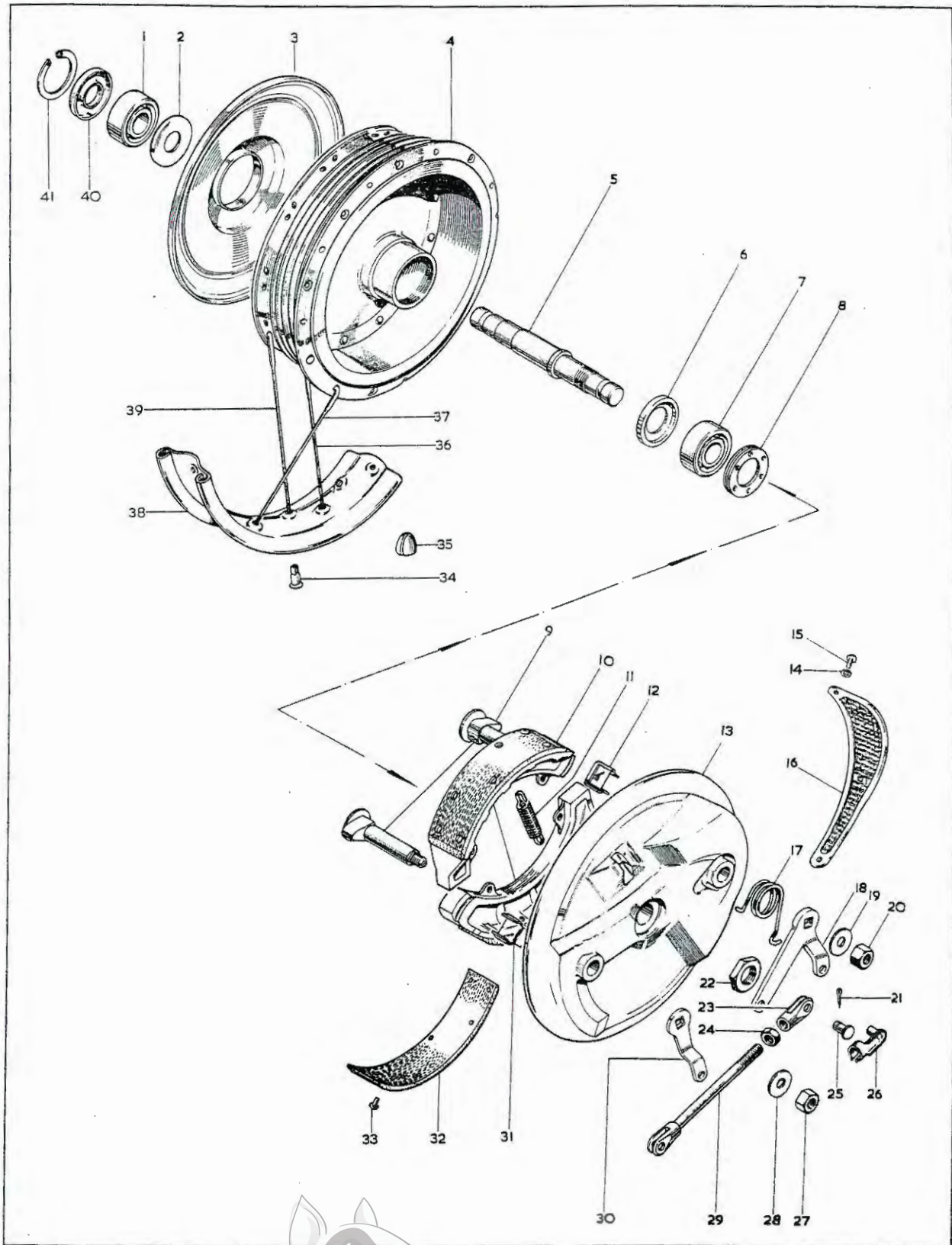
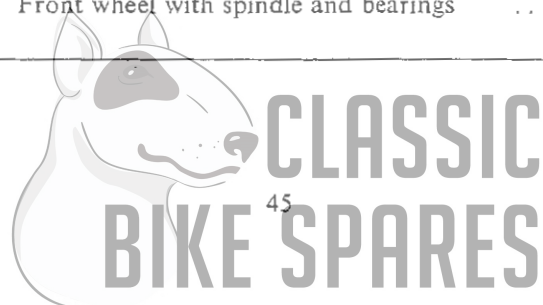
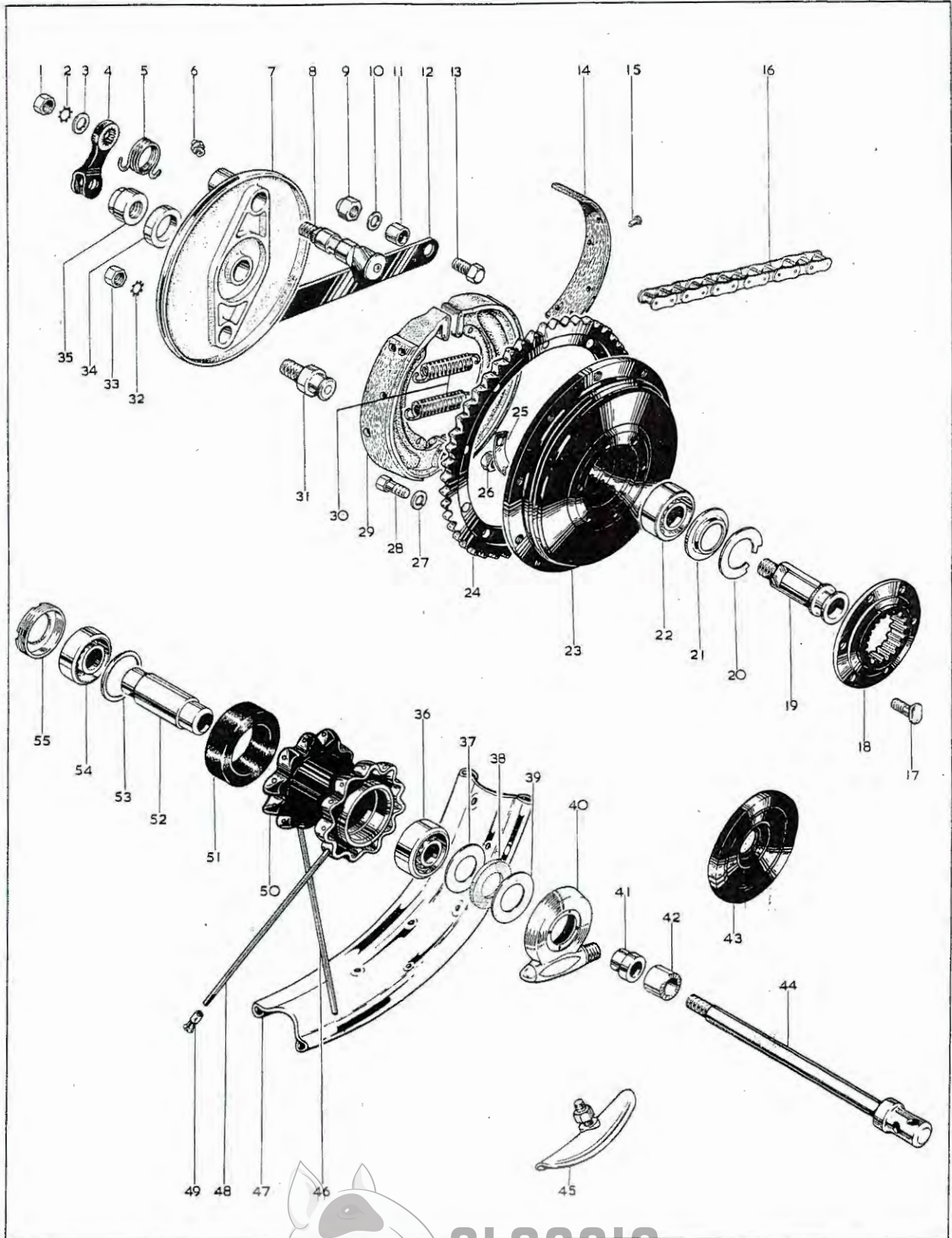


Plate 17

FRONT WHEEL

Model	Code	Spares No.	Description	Per Set
L, T, R, F	1.	42-5819	Bearing (Hoffman 120)	
L, T, R, F	2.	37-1481	Grease cap	
L, T, R, F	3.	37-3460	Nave plate	
L, T, R, F	4.	37-3404	Front hub with spindle and bearings	
L, T, R, F	5.	37-2057	Wheel spindle	
L, T, R, F	6.	37-3337	Bearing support ring	
L, T, R, F	7.	42-5819	Bearing (Hoffman 120)	
L, T, R, F	8.	42-6335	Bearing lock ring	
L, T, R, F	9.	37-2001	Brake cam spindle	2
L, T, R, F	10.	37-1996	Brake shoe complete	2
L, T, R, F	11.	42-5841	Brake shoe spring	2
L, T, R, F	12.	37-2026	Abutment pad, brake shoe	
L, T, R, F	13.	37-3462	Brake anchor plate	
L, T, R, F	14.	82-2351	Washer, for screw line 15	3
L, T, R, F	15.	21-650	Screw, air scoop gauze	3
L, T, R, F	16.	37-1991	Gauze for air scoop	
L, T, R, F	17.	37-3522	Return spring, front brake lever	
L, T, R, F	18.	37-3453	Brake lever, front	
L, T, R, F	19.	37-2027	Washer, for nut line 20	
L, T, R, F	20.	14-303	Nut, front brake lever ($\frac{3}{8}$ " U.N.F.)	
L, T, R, F	21.	60-2683	Split pin, for pivot pin line 25 ($\frac{1}{16}$ " \times $\frac{3}{8}$ ")	2
L, T, R, F	22.	37-2058	Nut, anchor plate	
L, T, R, F	23.	37-2005	Fork end, brake rod	
L, T, R, F	24.	14-401	Locknut for fork end ($\frac{1}{4}$ " U.N.F.)	
L, T, R, F	25.	42-5836	Pivot pin, brake rod	2
L, T, R, F	26.	37-2006	Spring pin, brake cable	
L, T, R, F	27.	14-303	Nut, rear brake lever ($\frac{3}{8}$ " U.N.F.)	
L, T, R, F	28.	37-2027	Washer, for nut line 27	
L, T, R, F	29.	37-2003	Brake rod	
L, T, R, F	30.	37-3454	Brake lever, rear	
L, T, R, F	31.	37-2026	Abutment pad, brake shoe	
L, T, R, F	32.	19-7734	Brake lining	2
L, T, R, F	33.	42-5840	Brake lining rivet	16
L, T, R, F	34.	42-5812	Spoke nipple	40
L, T, R, F	35.	42-5873	Balance weight ($\frac{3}{4}$ ")	as reqd.
L, T, R, F	35.	42-5875	Balance weight (1")	as reqd.
L, T, R, F	36.	37-1709	Spoke, right-hand, inner	10
L, T, R, F	37.	37-1708	Spoke, right-hand, outer	10
L, T, R, F	38.	37-1230]	Wheel rim, steel (WM2-19)	
L, T, R, F	39.	37-1328	Spoke, left-hand	20
L, T, R, F	40.	42-5820	Bearing dust cap	
L, T, R, F	41.	42-5821	Dust cap circlip	
L, T, R, F		37-3405	Front wheel with spindle and bearings	

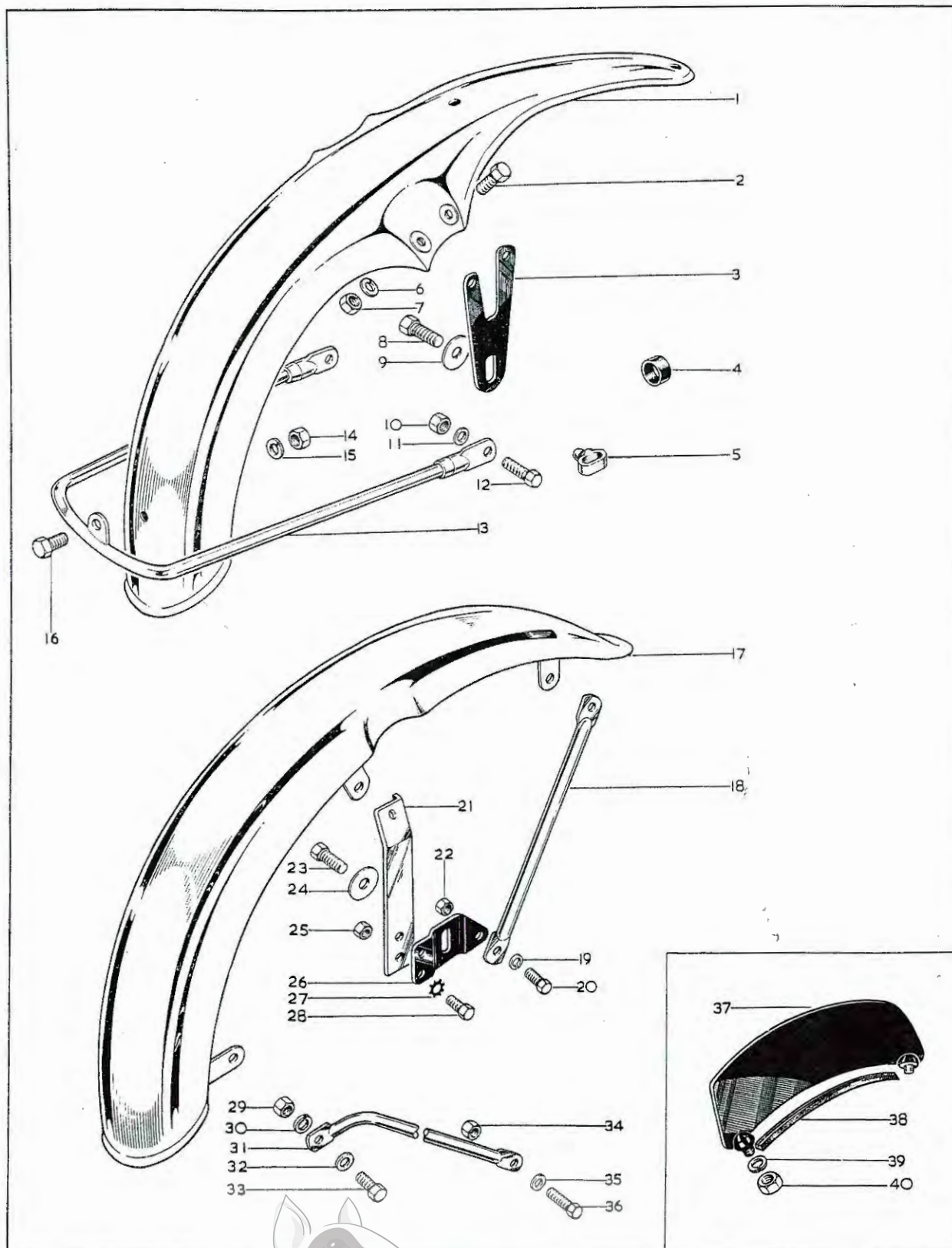




REAR WHEEL

Model	Code	Spares No.	Description	Per Set
L. T, R, F	1.	2-440	Nut, brake lever to cam spindle ($\frac{7}{16}$ " B.S.C.)	
L. T, R, F	2.	66-4708	Lockwasher, for nut line 1 ($\frac{7}{16}$ ")	
L. T, R, F	3.	15-431	Washer, for nut line 1 ($\frac{7}{16}$ " \times $\frac{3}{4}$ " \times $\frac{1}{16}$ ")	
L. T, R, F	4.	42-6045	Brake lever, anchor plate	
L. T, R, F	5.	68-6134	Return spring, brake lever	
L. T, R, F	6.	28-2080	Grease nipple, cam spindle	
L. T, R, F	7.	68-6130	Brake anchor plate	
L. T, R, F	8.	37-2226	Cam spindle complete	
L. T, R, F	9.	14-803	Nut, anchor strap to swinging arm ($\frac{3}{8}$ " U.N.F.)	
L. T, R, F	10.	2-2138	Washer, anchor strap to swinging arm	2
L. T, R, F	11.	40-4908	Spacer, anchor strap	
L. T, R, F	12.	42-6036	Anchor strap	
L. T, R, F	13.	14-237	Bolt, anchor strap to swinging arm ($\frac{3}{8}$ " U.N.F. \times $2\frac{1}{2}$ ")	
L. T, R, F	14.	19-7717	Brake lining	2
L. T, R, F	15.	35-6436	Rivet for brake lining	14
L. T	16.	19-8681	Rear chain ($\frac{5}{8}$ " \times $\frac{3}{8}$ " \times 106 pitch)	
L. T, R, F	16.	19-8682	Rear chain ($\frac{5}{8}$ " \times $\frac{3}{8}$ " \times 105 pitch)	
L. T, R, F	17.	67-6038*	Bolt, driving flange to drum	6
L. T, R, F	18.	42-6019	Driving flange	
L. T, R, F	19.	68-6121	Fixed spindle	
L. T, R, F	20.	65-2240	Circlip, drum bearing	
L. T, R, F	21.	68-6131	Shim, brake drum bearing	
L. T, R, F	22.	65-2045	Bearing, brake drum (Hoffman 125)	
L. T, R, F	23.	68-6116	Brake drum	
L. T, R, F	24.	68-6088	Rear chainwheel (47T)	
L. T, R, F	25.	68-6135	Tab washer, for bolt line 17	3
L. T, R, F	26.	2-452	Nut, for bolt line 17 ($\frac{3}{8}$ " B.S.C.)	6
L. T, R, F	27.	68-6092	Spring washer for bolt line 28 ($\frac{7}{16}$ ")	10
L. T, R, F	28.	68-6095*	Bolt, chainwheel to drum ($\frac{7}{16}$ " U.N.F. \times $35/64$ ")	10
L. T, R, F	29.	65-5940	Brake shoe complete	2
L. T, R, F	30.	65-5904	Return spring, brake shoe	2
L. T, R, F	31.	68-6133	Pivot pin, brake shoe	
L. T, R, F	32.	65-5111	Lockwasher, for nut line 33 ($\frac{1}{2}$ ")	
L. T, R, F	33.	24-7000	Nut, pivot pin to brake plate ($\frac{1}{2}$ " B.S.C.)	
L. T, R, F	34.	68-6132	Collar, brake plate	
L. T, R, F	35.	68-6100	Nut, fixed spindle	
L. T, R, F	36.	65-5883	Hub bearing (Hoffman LS.9)	
L. T, R, F	37.	65-5887	Felt washer retainer	
L. T, R, F	38.	65-5886	Felt washer	
L. T, R, F	39.	41-6021	Retaining ring, felt washer	
L. T, R, F	40.	19-9217	Speedometer gearbox, m.p.h. (1.25 to 1)	
L. T, R, F	40.	19-9212	Speedometer gearbox, k.p.h. (2 to 1)	
L. T, R, F	41.	41-6019	Inner collar	
L. T, R, F	42.	68-6110	Outer collar	
L. T, R, F	43.	68-6142	Hub end cover	
L. T, R, F	44.	68-6120	Wheel spindle	
L. T, R, F	45.	68-9575	Security bolt	2
L. T, R, F	46.	42-6011	Spoke, left-hand	20
L. T, R, F	47.	42-6371	Wheel rim (WM3-18 steel)	
L. T, R, F	48.	42-6012	Spoke, right-hand	20
L. T, R, F	49.	27-6810	Spoke nipple	40
L. T, R, F	50.	68-6114	Hub with spindle and bearings	
L. T, R, F	51.	67-6051	Rubber sleeve	
L. T, R, F	52.	67-6027	Spindle sleeve	
L. T, R, F	53.	65-5884	Bearing thrust washer	
L. T, R, F	54.	65-5883	Hub bearing (Hoffman LS.9)	
L. T, R, F	55.	68-6081	Bearing lock ring	
L. T, R, F		68-6145	Wheel with spindle and bearings	

*Special material: 17.—EN14B. 28.—EN14B.



FRONT MUDGUARDS

Model	Code	Spares No.	Description	Per Set
F	1.	97-3795	Front mudguard	
F	2.	14-101	Bolt, mudguard to bracket ($\frac{1}{4}$ " U.N.F. \times $\frac{1}{2}$ ")	4
F	3.	82-9772	Bracket, mudguard to fork	2
L, F	4.	97-2271	Rubber sleeve, cable retainer	
L, F	5.	97-2270	Retainer, brake cable	
F	6.	2-1462	Spring washer, for nut line 7 ($\frac{1}{4}$ ")	4
F	7.	14-301	Nut, for bolt line 2 ($\frac{1}{4}$ " U.N.F.)	4
F	8.	21-1822	Bolt, bracket to fork leg ($\frac{5}{16}$ " U.N.F. \times $\frac{1}{2}$ ")	2
F	9.	54-5504	Washer, bracket to fork leg	2
F	10.	14-702	Nut, for bolt line 12 ($\frac{5}{16}$ " U.N.F.)	2
F	11.	54-55	Washer, for nut line 10 ($\frac{5}{16}$ " \times $\frac{5}{8}$ " \times $\frac{1}{16}$ ")	2
F	12.	14-114	Bolt, stay to fork end ($\frac{5}{16}$ " U.N.F. \times $\frac{3}{4}$ ")	2
F	13.	82-8498	Bottom Stay	
F	14.	14-301	Nut, for bolt line 16 ($\frac{1}{4}$ " U.N.F.)	
F	15.	2-1462	Spring washer, for nut line 14 ($\frac{1}{4}$ ")	
F	16.	14-101	Bolt, bottom stay to mudguard ($\frac{1}{4}$ " U.N.F. \times $\frac{1}{2}$ ")	
L (U.S.A.)	17.	68-6539	Front mudguard (for number plate)	
T, R (U.S.A.)	17.	68-6536	Front mudguard	
L, T, R	17.	68-6535	Front mudguard (for number plate)	
L, T, R	18.	97-3650	Front stay	2
L (U.S.A.)	18.	97-3850	Front stay (not illustrated)	
L, T, R	19.	24-8784	Spring washer, for bolt line 20 ($\frac{5}{16}$ " \times $\frac{5}{8}$ " \times .040")	2
L, T, R	20.	14-113	Bolt, stay to bracket ($\frac{5}{16}$ " U.N.F. \times $\frac{5}{8}$ ")	2
L, T, R	21.	68-6548	Centre stay, left-hand	
L, T, R	21.	68-6549	Centre stay, right-hand	
L, T, R	22.	14-402	Nut, for bolt line 20 ($\frac{5}{16}$ " U.N.F.)	2
L, T, R	23.	21-1822	Bolt, bracket to fork leg ($\frac{5}{16}$ " U.N.F. \times $\frac{1}{2}$ ")	2
L, T, R	24.	54-5504	Washer, bracket to fork leg	2
L, T, R	25.	14-402	Nut, for bolt line 28 ($\frac{5}{16}$ " U.N.F.)	4
L, T, R	26.	82-9610	Bracket, left-hand, stays to fork	
L, T, R	26.	82-9771	Bracket, right-hand, stays to fork	
L, T, R	27.	36-382	Lockwasher, for bolt line 28 ($\frac{5}{16}$ ")	4
L, T, R	28.	14-114	Bolt, centre stay to bracket ($\frac{5}{16}$ " U.N.F. \times $\frac{3}{4}$ ")	4
L, T, R	29.	14-301	Nut, for bolt line 33 ($\frac{1}{4}$ " U.N.F.)	6
L, T, R	30.	2-1462	Spring washer, for nut line 29 ($\frac{1}{4}$ ")	6
L, T, R	31.	82-8347	Bottom stay, left-hand	
L, T, R	31.	82-8348	Bottom stay, right-hand	
L, T, R	32.	27-8560	Washer, for bolt line 33 ($\frac{1}{4}$ " \times $\frac{5}{8}$ " \times .048")	6
L, T, R	33.	14-102	Bolt, stays to mudguard ($\frac{1}{4}$ " U.N.F. \times $\frac{5}{8}$ ")	6
L, T, R	34.	14-702	Nut, for bolt line 36 ($\frac{5}{16}$ " U.N.F.)	2
L, T, R	35.	54-55	Washer, for bolt line 36 ($\frac{5}{16}$ " \times $\frac{5}{8}$ " \times $\frac{1}{16}$ ")	2
L, T, R	36.	14-114	Bolt, bottom stay to fork end ($\frac{5}{16}$ " U.N.F. \times $\frac{3}{4}$ ")	2
L, T, R	37.	68-6524*	Front number plate	
L, T, R	38.	42-6558*	Number plate bead	
L, T, R	39.	2-1462*	Spring washer, number plate to mudguard ($\frac{1}{4}$ ")	2
L, T, R	40.	2-2395*	Nut, number plate to mudguard ($\frac{1}{4}$ " B.S.C.)	2

*Except U.S.A. models.

NOTE—Code 4. 97-2271 is now cancelled.

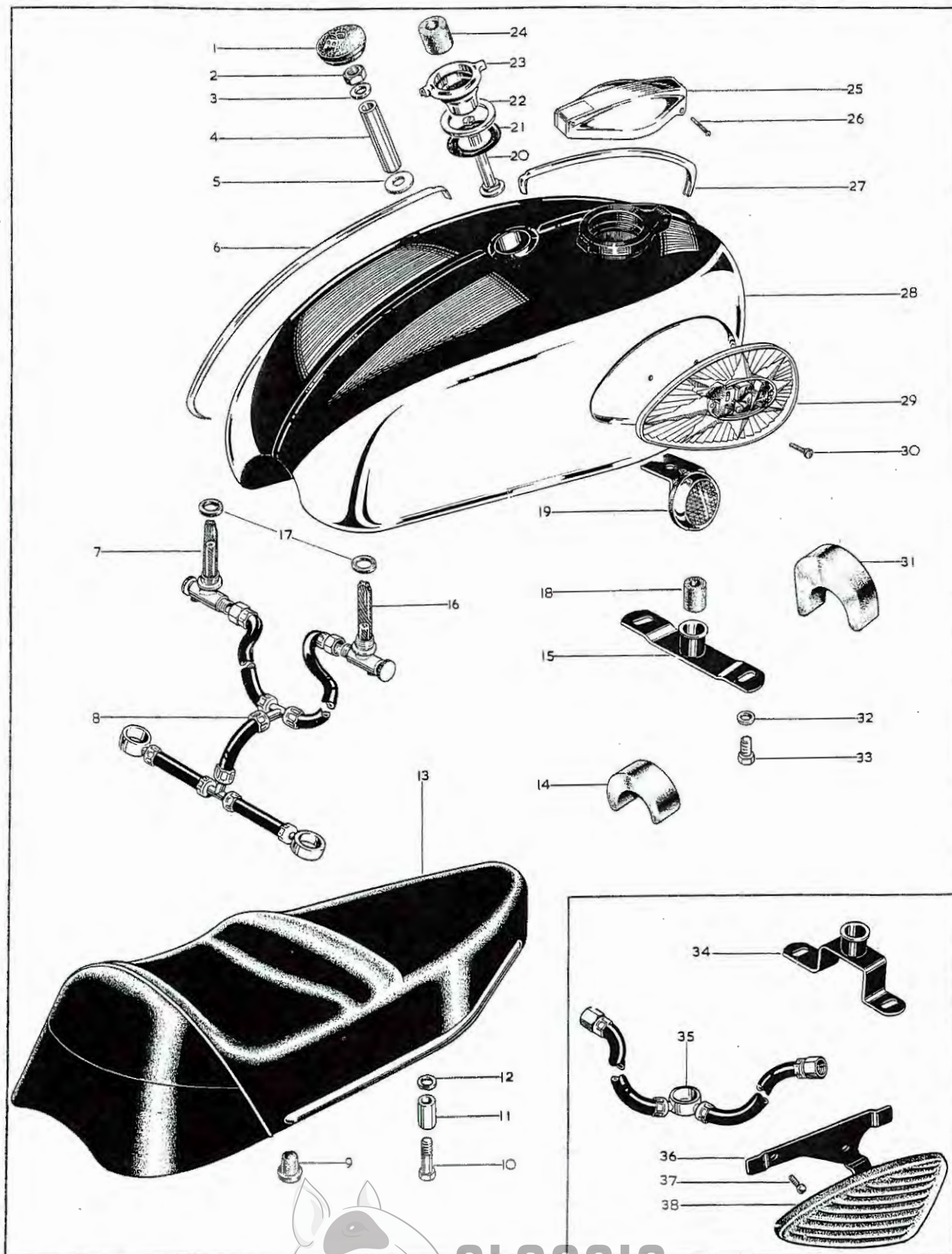


REAR MUDGUARD AND CHAINGUARD

Model	Code	Spares No.	Description	Per Set
L, T, R, F	1.	68-7723	Bolt, chainguard to swinging arm ($\frac{1}{4}$ " B.S.C. \times 2")	2
L, T, R, F	2.	27-8560	Washer, for bolt line 1 ($\frac{1}{4}$ " \times $\frac{5}{8}$ " \times .048")	2
L, T, R, F	3.	14-115	Bolt, guard to seat rail ($\frac{5}{16}$ " U.N.F. \times $\frac{7}{8}$ "	2
L, T, R, F	4.	67-6839	Wiring grommet	2
L, T, R, F	5.	82-9097	Grommet for stud line 17.	
L, T, R, F	6.	82-8253	Rear lamp support	
L, T, R, F	7.	68-6835	Rear lamp to support plate	
L, T, R, F	8.	40-246	Screw, lamp to support (2BA \times $\frac{5}{16}$ "	3
L, T, R, F	9.	14-101	Bolt, number plate bracket to guard ($\frac{1}{4}$ " U.N.F. \times $\frac{1}{2}$ "	2
L, T, R, F	10.	27-8560	Washer, number plate bracket to guard ($\frac{1}{4}$ " \times $\frac{5}{8}$ " \times .048")	2
L, T, R, F	11.	68-6834	Number plate bracket	
L, T, R, F	12.	82-8195	'Push fix' for reflector	4
L, T, R, F	13.	82-8140	Rubber pad for reflector	2
L, T, R, F	14.	19-943	Rear side reflector (Lucas 57111)	2
L, T, R, F	15.	29-541	Lockwasher, for nut line 16 ($\frac{1}{4}$ "	2
L, T, R, F	16.	14-301	Nut, for bolt line 9 ($\frac{1}{4}$ " U.N.F.)	2
L, T, R, F	17.	31-222	Stud, rear lamp support ($\frac{1}{4}$ " B.S.C./WHIT.)	
L, T, R, F	18.	76-101	Washer, for stud line 17 ($\frac{17}{64}$ " \times $\frac{3}{4}$ " \times .080")	
L, T, R, F	19.	29-541	Lockwasher, for nut line 20 ($\frac{1}{4}$ "	
L, T, R, F	20.	2-2395	Nut, for stud line 17 ($\frac{1}{4}$ " B.S.C.)	
L, T, R, F	21.	14-205	Bolt, guard to frame ($\frac{1}{4}$ " U.N.F. \times $1\frac{1}{2}$ "	
L, T, R, F	22.	68-6906	Spacer, for bolt line 21	
L, T, R, F	23.	2-1462	Spring washer, for nut line 24 ($\frac{1}{4}$ "	
L, T, R, F	24.	14-301	Nut, for bolt line 21 ($\frac{1}{4}$ " U.N.F.)	
L, T, R, F	25.	14-402	Nut, for bolt line 3 ($\frac{5}{16}$ " U.N.F.)	2
L, T, R, F	26.	36-382	Lockwasher, for nut line 25 ($\frac{5}{16}$ "	2
L, T, R, F	27.	68-6768	Stiffener plate	
L, T, R, F	28.	14-301	Nut, for bolt line 33 ($\frac{1}{4}$ " U.N.F.)	2
L, T, R, F	29.	2-1462	Spring washer, for nut line 28 ($\frac{1}{4}$ "	2
L, T, R, F	30.	68-6856	Rear mudguard	
L, T, R	30.	68-6857	Rear mudguard, for number plate	
L, T, R, F	31.	68-6767	Mudguard bridge, top	
L, T, R, F	32.	27-8560	Washer, for bolt line 33 ($\frac{1}{4}$ " \times $\frac{5}{8}$ " \times .048")	2
L, T, R, F	33.	14-101	Bolt, bridge to guard ($\frac{1}{4}$ " U.N.F. \times $\frac{1}{2}$ "	2
L, T, R, F	34.	40-414	Nut, for bolt line 1 ($\frac{1}{4}$ " B.S.C.)	2
L, T, R, F	35.	82-9192	Rear chainguard	
L, T, R	36.	14-604*	Bolt, number plate top fixing ($\frac{1}{4}$ " U.N.F. \times $\frac{1}{2}$ "	2
L, T, R	37.	68-6837*	Rear number plate	
L, T, R	38.	14-301*	Nut, for bolt line 36 ($\frac{1}{4}$ " U.N.F.)	2
L, T, R	39.	2-1462*	Spring washer, for nut line 38 ($\frac{1}{4}$ "	2
L, T, R	40.	14-301*	Nut, number plate bottom fixing ($\frac{1}{4}$ " U.N.F.)	
L, T, R	41.	29-541*	Lockwasher, for nut line 40 ($\frac{1}{4}$ "	
L, T, R	42.	27-8560*	Washer, number plate bottom fixing ($\frac{1}{4}$ " \times $\frac{5}{8}$ " \times .048")	

*Except U.S.A. models.

NOTE—Washer No. 27-8568 is added to bolt code 21.

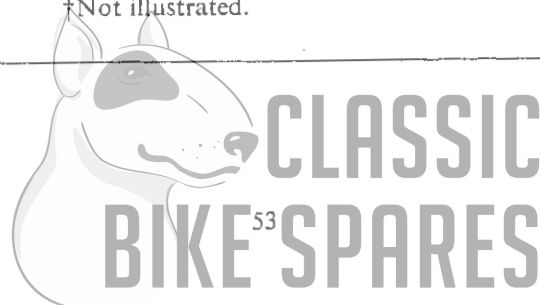


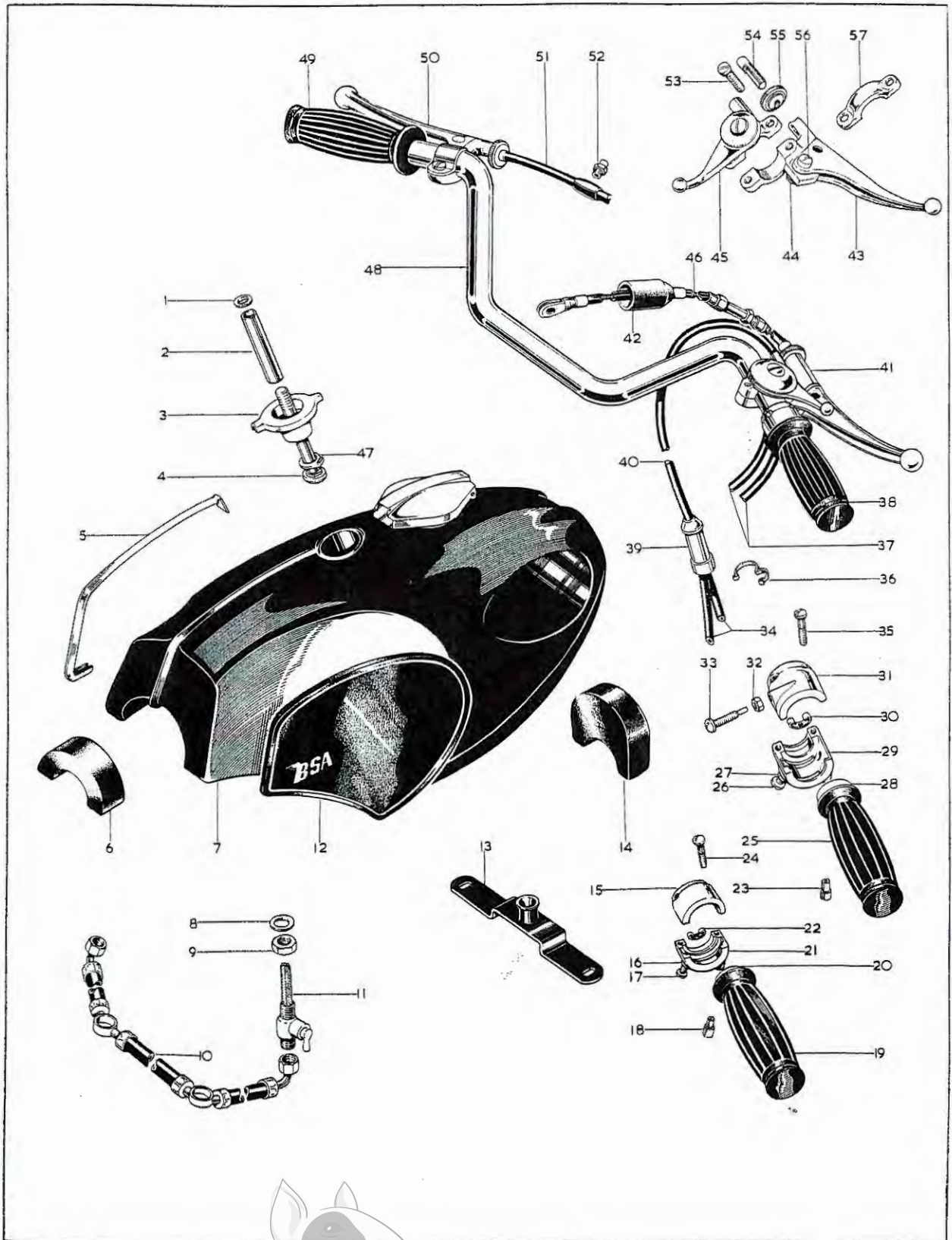
PETROL TANK (STEEL), TWIN SEAT

Model	Code	Spares No.	Description	Per Set
L, T, R, F	1.	42-8010	Grommet, petrol tank, 2 and 4 gallon	
L, T, R, F	2.	68-8014	Nut, tank mounting, 2 and 4 gallon ($\frac{5}{16}$ " B.S.C.)	
L, T, R, F	3.	68-8016	Washer, top, tank mounting, 2 and 4 gallon (.453" x .906" x 3/32")	
L, T, R	4.	68-8174	Spacer tube, tank mounting, 2 gallon	
L, T, R	4.	68-8012	Spacer tube, tank mounting, 4 gallon	
L, T, R	5.	76-12	Washer, bottom, tank mounting, 2 and 4 gallon ($\frac{5}{16}$ " x 9/16" x 3/32")	
L, T, R	6.	68-8159	Beading, rear, 2 gallon	
L, T, R	6.	68-8039	Beading, rear, 4 gallon	
L, T, R	7.	82-9611	Petrol tap, long, 2 and 4 gallon	
L	8.	82-8409	Petrol pipe complete, 2 and 4 gallon	
L, T, R, F	9.	76-9110	Rubber pad, twin seat	
L, T, R, F	10.	3-1156	Bolt, twin seat ($\frac{5}{16}$ " B.S.C. x $\frac{7}{8}$ ")	2
L, T, R	11.	42-4919	Spacer, twin seat, for use with panniers	2
L, T, R, F	12.	24-8784	Spring washer, twin seat ($\frac{5}{16}$ " x $\frac{5}{8}$ " x .040")	2
L, T, R, F	13.	68-9330	Twin seat	
L, T, R	14.	68-8018	Rubber pad, rear, 2 and 4 gallon	
L, T, R	15.	68-8176	Tank bracket, 2 gallon	
L, T, R	16.	68-8024	Petrol tap, short, 2 and 4 gallon	
L, T, R	17.	82-9204	Petrol tap washer, 2 and 4 gallon	2
L, T, R, F	18.	68-8054	Rubber bush, tank bracket	
L, T, R, F (U.S.A.)	19.	19-1032	Side reflector complete (Lucas 57162A)	2
L, T, R	20.	68-8011	Mounting bolt, 4 gallon ($\frac{5}{16}$ " B.S.C.)	
L, T, R	20.	68-8173	Mounting bolt, 2 gallon ($\frac{5}{16}$ " B.S.C.)	
L, T, R, F	21.	68-8013	'O' ring, beading holder, 2 and 4 gallon	
L, T, R, F	22.	68-8019	Mounting ring, 2 and 4 gallon	
L, T, R	23.	68-8035	Beading holder, 2 and 4 gallon	
L, T, R, F	24.	42-8017	Mounting rubber, 2 and 4 gallon	
L, T, R, F	25.	68-8190	Filler cap, 2 and 4 gallon	
L, T, R, F	26.	68-8191	Rivet, filler cap, 2 and 4 gallon	
L, T, R	27.	68-8158	Beading, front, 2 gallon	
L, T, R	27.	68-8038	Beading, front, 4 gallon	
L, T, R	28.	68-8188	Petrol tank, 2 gallon	
L, T, R	28.	68-8189	Petrol tank, 4 gallon	
L, T, R, F	29.	82-9696	Tank badge, right-hand, 2 and 4 gallon	
L, T, R, F	29.	82-9695	Tank badge, left-hand, 2 and 4 gallon	
L, T, R, F	30.	82-8250	Screw, tank badge, 2 and 4 gallon ($\frac{1}{8}$ " WHIT. 40 turns per inch)	4
L, T, R	31.	68-8110	Rubber pad, front, 2 gallon	
L, T, R	31.	68-8017	Rubber pad, front, 4 gallon	
L, T, R, F	32.	2-923	Washer, for bolt line 33 ($\frac{5}{16}$ " x $\frac{5}{8}$ " x $\frac{1}{16}$ ")	2
L, T, R, F	33.	21-5662	Bolt, tank bracket, 2 gallon ($\frac{5}{16}$ " B.S.F. x $\frac{5}{8}$ ")	2
L, T, R	33.	21-6050*	Bolt, tank bracket, 4 gallon ($\frac{5}{16}$ " B.S.F. x $\frac{1}{2}$ ")	2
L, T, R	34.	68-8062	Tank bracket, 4 gallon	
T, R	35.	82-8408	Petrol pipe, 2 and 4 gallon	
L, T, R	36.	42-8114	Knee grip bracket, left-hand, 4 gallon	
L, T, R	36.	42-8115	Knee grip bracket, right-hand, 4 gallon	
L, T, R	37.	24-7178	Screw, bracket, 4 gallon ($\frac{1}{4}$ " B.S.C. x $\frac{7}{8}$ ")	4
L, T, R	38.	40-8029	Knee grip, right-hand, 4 gallon	
L, T, R	38.	40-8030	Knee grip, left-hand, 4 gallon	
L		60-1991†	Tank top transfer, 2 and 4 gallon	
T		60-2002†	Tank top transfer, 2 and 4 gallon	
R		60-2004†	Tank top transfer, 2 and 4 gallon	

*Special material: 33.—EN15.

†Not illustrated.





PETROL TANK (GLASS-FIBRE), HANDLEBAR AND CONTROLS

Model	Code	Spares Number		Description	Per Set
		B.S.A. NO.	MAKERS NO.		
F	1.	2-923		Washer, petrol tank mounting	2
F	2.	82-9794		Spacer tube, petrol tank mounting	
F	3.	82-9782		Beading holder	
F	4.	82-9793		Bolt, petrol tank mounting ($\frac{5}{16}$ " B.S.C.)	
F	5.	82-9721		Trim strip, rear	
F	6.	82-9792		Support rubber, rear	
F	7.	82-9609		Petrol tank, glass-fibre	
F	8.	70-7351		Washer, petrol tap	2
F	8.	83-2		Washer, petrol tap	2
F	9.	83-6		Nut, petrol tap	2
F	10.	82-9798		Petrol pipe assembly	
F	11.	75-8074		Petrol tap, short, drive-side	
F	11.	82-4972		Petrol tap, long, timing-side	
F	12.	82-9723		Knee grip, right-hand	
F	12.	82-9722		Knee grip, left-hand	
F	13.	82-9796		Bracket, petrol tank	
F	14.	82-9791		Support rubber, front	
T, R	15.		16/328	Twist grip body, top half	
T, R	16.		16/010	Locknut, friction spring screw	
T, R	17.		16/009	Screw, friction spring	
T, R	18.		16/011	Cable stop	
T, R	19.	19-7222	16/365	Twist grip rubber	
T, R	20.		16/091	Rotor, twist grip	
T, R	21.		16/329	Twist grip body, bottom half	
T, R	22.		16/008	Friction spring, twist grip	
L, F	23.		16/011	Cable stop, twist grip	2
T, R	24.		11/013	Body screw, twist grip	2
L, F	25.	19-7222	16/365	Twist grip rubber	
L, F	26.		210/007	Screw, friction spring	
L, F	27.		5/077	Locknut, friction spring screw	
L, F	28.		313/004	Rotor, twist grip	
L, F	29.		313/021	Twist grip body, bottom half	
L, F	30.		16/008	Friction spring, twist grip	
L, F	31.		313/020	Twist grip body, top half	
L, F	32.		5/077	Locknut, rotor stop screw	
L, F	33.		210/008	Stop screw, rotor	
L, F	34.	60-826		Air control cable, short	2
L, F	35.		18/084	Body screw, twist grip	2
L, F	36.	68-8570		Clip for junction box	
L, F	37.	60-813		Throttle control cable	2



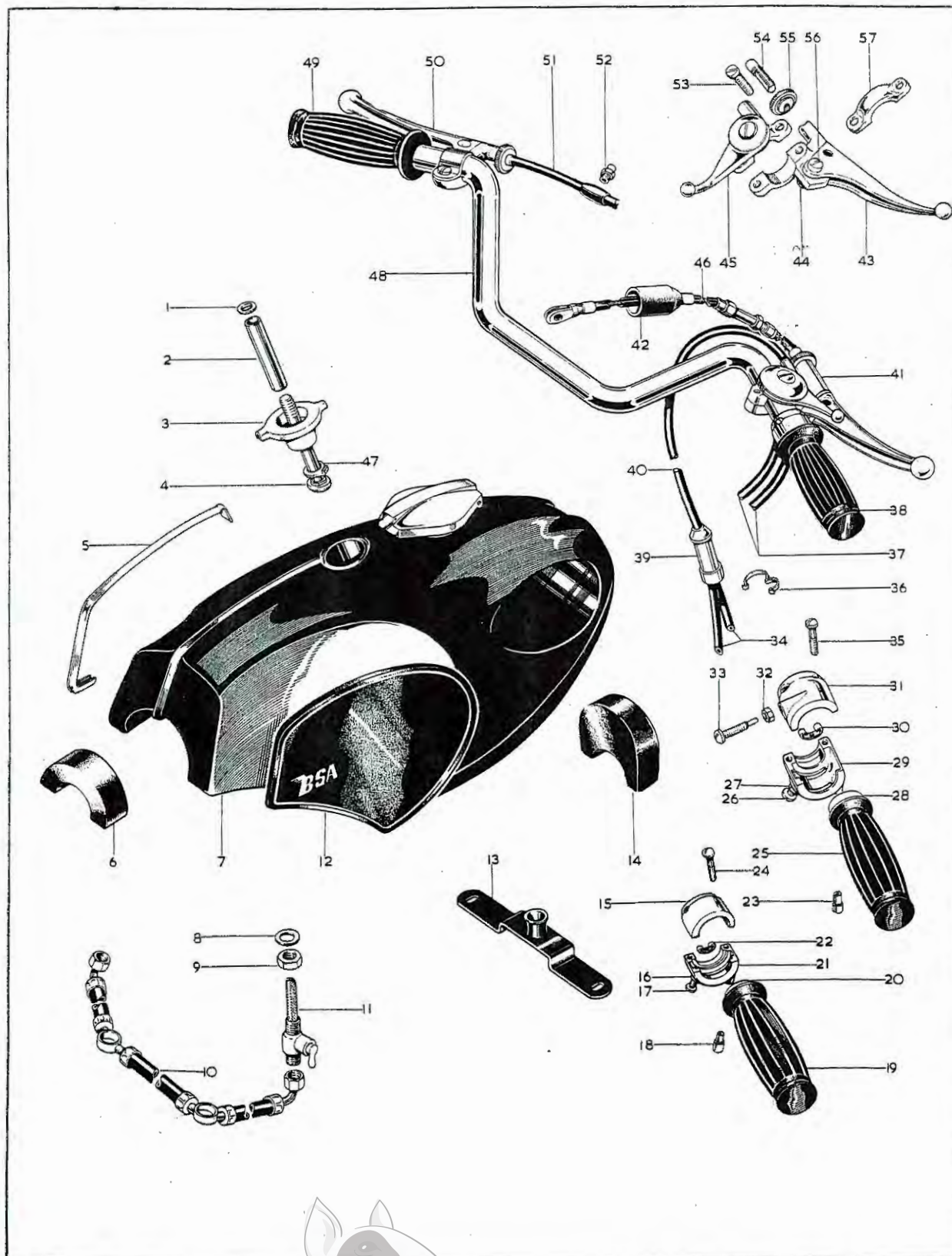


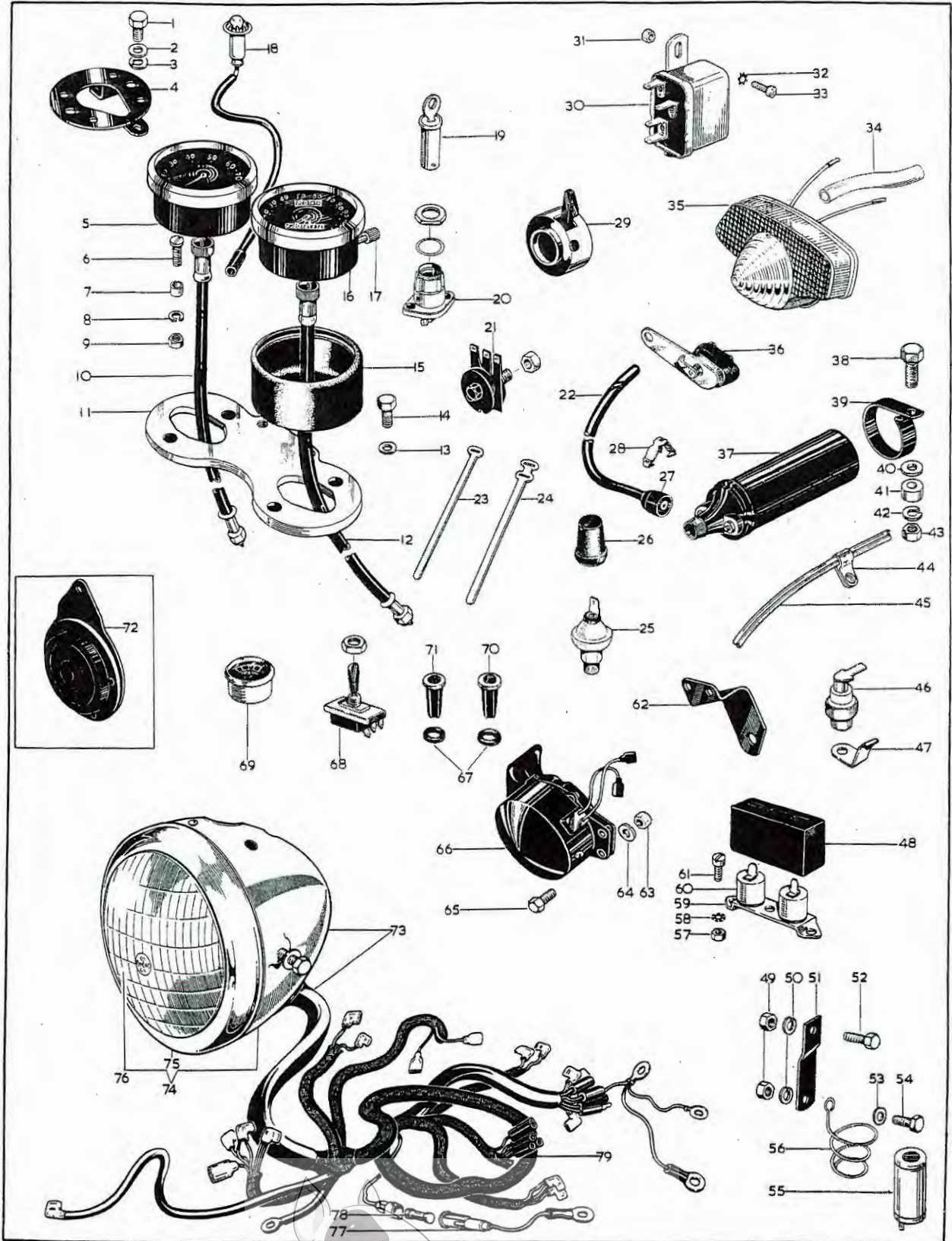
Plate 22—continued

PETROL TANK (GLASS-FIBRE), HANDLEBAR AND CONTROLS

Model	Code	Spares Number		Description	Per Set
		B.S.A. NO.	MAKERS NO.		
T	37.	60-804		Throttle control cable	
R	37.	60-807		Throttle control cable	
L, F	38.	19-7220	313/13	Twist grip complete	
T, R	38.	19-7223	16/364	Twist grip complete	
L, F	39.	68-8561		Junction box, air cable	
L, F	40.	60-823		Air control cable, long	
T	40.	60-815		Air control cable	
R	40.	60-818		Air control cable	
L, T, R, F	41.	60-2073		Brake and air control complete	
L, T, R, F	42.	60-2086		Stop switch cover, brake cable	
L, T, R, F	43.		18/754	Front brake lever only	
L, T, R, F	43.		18/752	Clutch control lever only	
L, T, R, F	44.		18/053	Fulcrum pin nut, brake and clutch levers	2
L, T, R, F	45.		12/556	Air control lever only	
L, T, R, F			12/607	Air control lever bolt	
L, T, R, F			12/606	Air control lever cap	
L, T, R, F			12/033	Air control spring washer	
L, T, R, F			12/619	Air control body	
L, T, R, F (U.S.A.)	46.	60-2076		Front brake cable complete	
L, T, R	46.	60-2077		Front brake cable complete	
F	47.	82-9795		Tapered washer, petrol tank bolt	
L, T, R, F (U.S.A.)	48.	42-4968		Handlebar	
L, T, R	48.	68-4971		Handlebar	
L, T, R, F	49.	19-7221		Rubber grip, left-hand	
L, T, R, F	50.	60-2074		Clutch control complete	
L, F (U.S.A.)	51.	60-2080		Clutch cable complete	
L, T, R	51.	60-2081		Clutch cable complete	
L, T, R, F	52.	47-9012		Grease nipple, clutch cable	
L, T, R, F	53.		11/014	Clamp screw, clutch lever clip	2
L, T, R, F	53.		11/014	Clamp screw, brake lever	
L, T, R, F	53.		11/013	Clamp screw, brake lever	
L, T, R, F	54.		18/1708	Cable adjuster, brake and clutch levers ($\frac{3}{8}$ " U.N.F.)	2
L, T, R, F	55.		18/1709	Adjuster nut, brake and clutch levers ($\frac{3}{8}$ " U.N.F.)	2
L, T, R, F	56.		18/087	Fulcrum pin, brake and clutch levers	2
L, T, R, F	57.		12/595	Body clip, clutch lever	
F		60-2006		Petrol tank top transfer, <i>not illustrated</i>	

NOTE:—Where no B.S.A. part number is quoted, the part is only available from the makers.

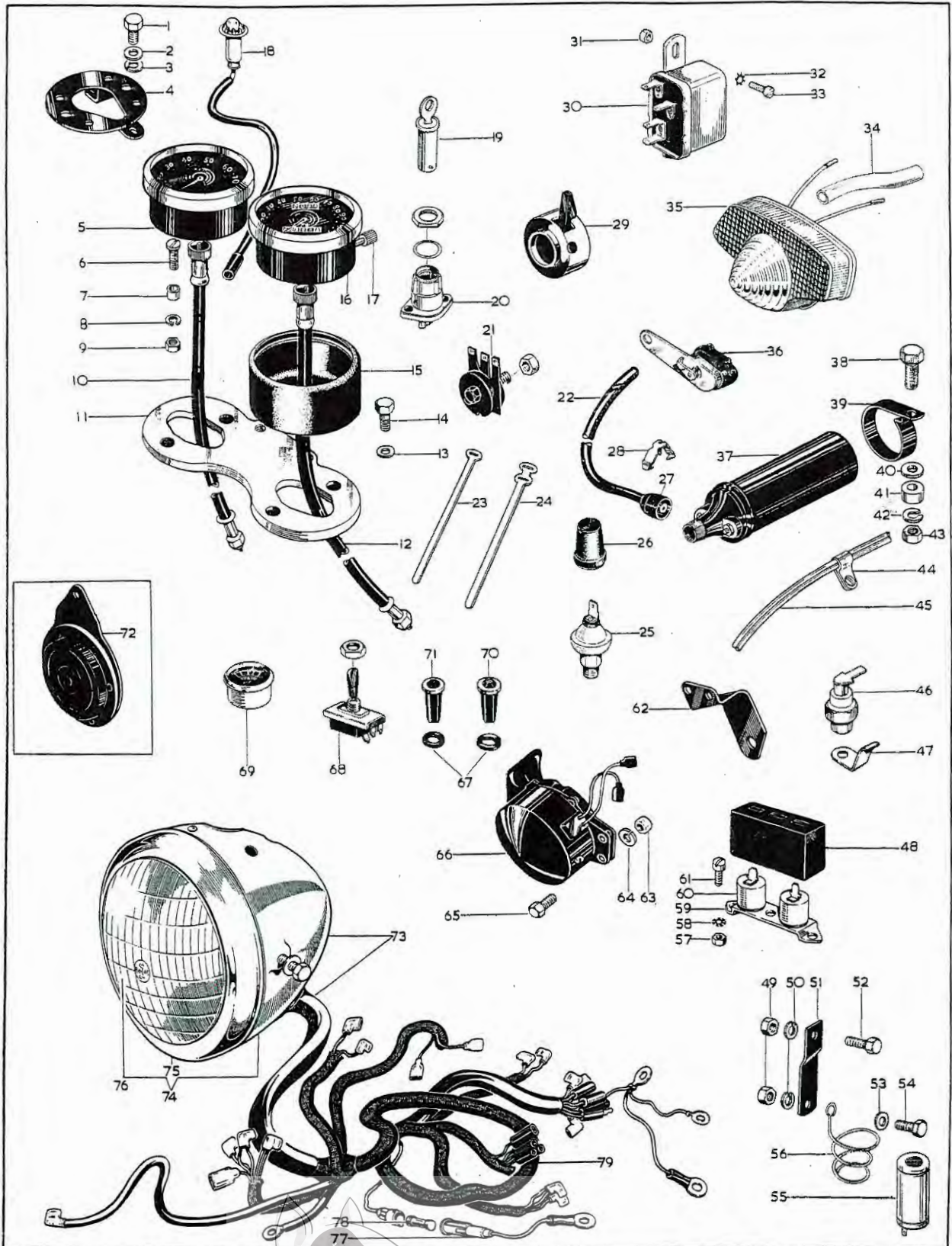




ELECTRICAL EQUIPMENT

Model	Code	Spares Number	Description	Per Set
		B.S.A. NO.	MAKERS NO.	
T, R	1.	15-7354	Bolt, speedometer mounting bracket	2
T, R	2.	2-923	Washer, speedometer mounting bracket	2
T, R	3.	24-8784	Spring washer, speedometer mounting bracket	2
T, R	4.	82-8283	Bracket, speedometer mounting	
L, F	5.	19-2189	RSM.3003-06 Tachometer head	
L, T, R, F	6.	76-543	Screw, speedometer and tachometer mounting	8/4
L, T, R, F	7.	68-9418	Spacer, speedometer and tachometer mounting	8/4
L, T, R, F	8.	24-7068	Spring washer, speedometer and tachometer mounting	8/4
L, T, R, F	9.	2-47	Nut, speedometer and tachometer mounting	8/4
L, F	10.	19-9076	DF.9110-00 Tachometer cable	
L, F	11.	68-9148	Bracket, speedometer and tachometer mounting	
L, T, R, F	12.	19-9086	DF.9110-02 Speedometer cable, 66"	
L, F	13.	15-5155	Washer, bracket to yoke	2
L, F	14.	68-5056	Bolt, bracket to yoke	2
L, T, R, F	15.	83-281	Clip, speedometer and tachometer	2/1
L, T, R, F	16.	19-8936	SSM.5001-05 Speedometer head, m.p.h.	
L, T, R, F	16.	19-2183	SSM.5001-04 Speedometer head, k.p.h.	
L, T, R, F	17.	19-9080	41-148-203-10 Speedometer trip shaft	
L, F	18.	19-962	54953387 Speedometer light lead	
T, R	18.	19-961	54953389 Speedometer light lead	
L, T, R, F			554710 Bulb holder, speedometer and tachometer	2/1
L, T, R, F			643 Bulb, speedometer and tachometer	2/1
L, T, R, F	19.	68-9304	1-6280 Lock and key, ignition switch	
L, T, R, F	20.	19-1775	31899 Ignition switch complete	
L, T, R, F	21.	19-1715	49072 Rectifier with nut	
L, T, R, F	22.	19-1824	842187 High-tension lead	2
(U.S.A.)				
L, T, R	22.	19-1783	54939356 High-tension lead	2
L, T, R, F	23.	75-9045	Cable clip	4
L, T, R, F	24.	76-9136	Cable clip	4
L, T, R, F	25.	19-6504	5307-05 Oil pressure switch	
L, T, R, F	26.	60-2045	Oil pressure switch cover	
L, T, R, F	27.	19-865	421554 High-tension lead grommet	2
(U.S.A.)				
L, T, R, F	28.	19-866	421863 High-tension lead clip	2
(U.S.A.)				
L, T, R, F	29.	19-214	16714 Dipper switch	
L	30.	19-953	33188 Horn relay	
L	31.	21-5161	Nut, relay mounting	2
L	32.	29-3319	Lockwasher, relay mounting	2
L	33.	21-5359	Screw, relay mounting	2
L, T, R, F	34.	82-8307	Plastic sleeve, tail lamp lead	
L, T, R, F	35.	19-1245	53973 Stop/tail lamp complete	
			54577109 Lens, stop/tail lamp	
			144921 Screw, lens fixing	
			54578213 Bulb holder, assembly	
			573828 Interior, bulb holder	
			54578212 Base assembly	
			54571677 Gasket, lamp seating	
			110714 Screw, lamp fixing	
			188330 Washer, screw fixing	
			380 Bulb	

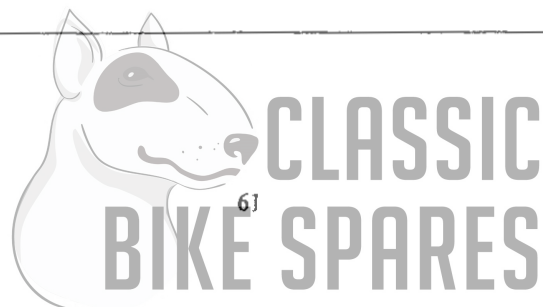


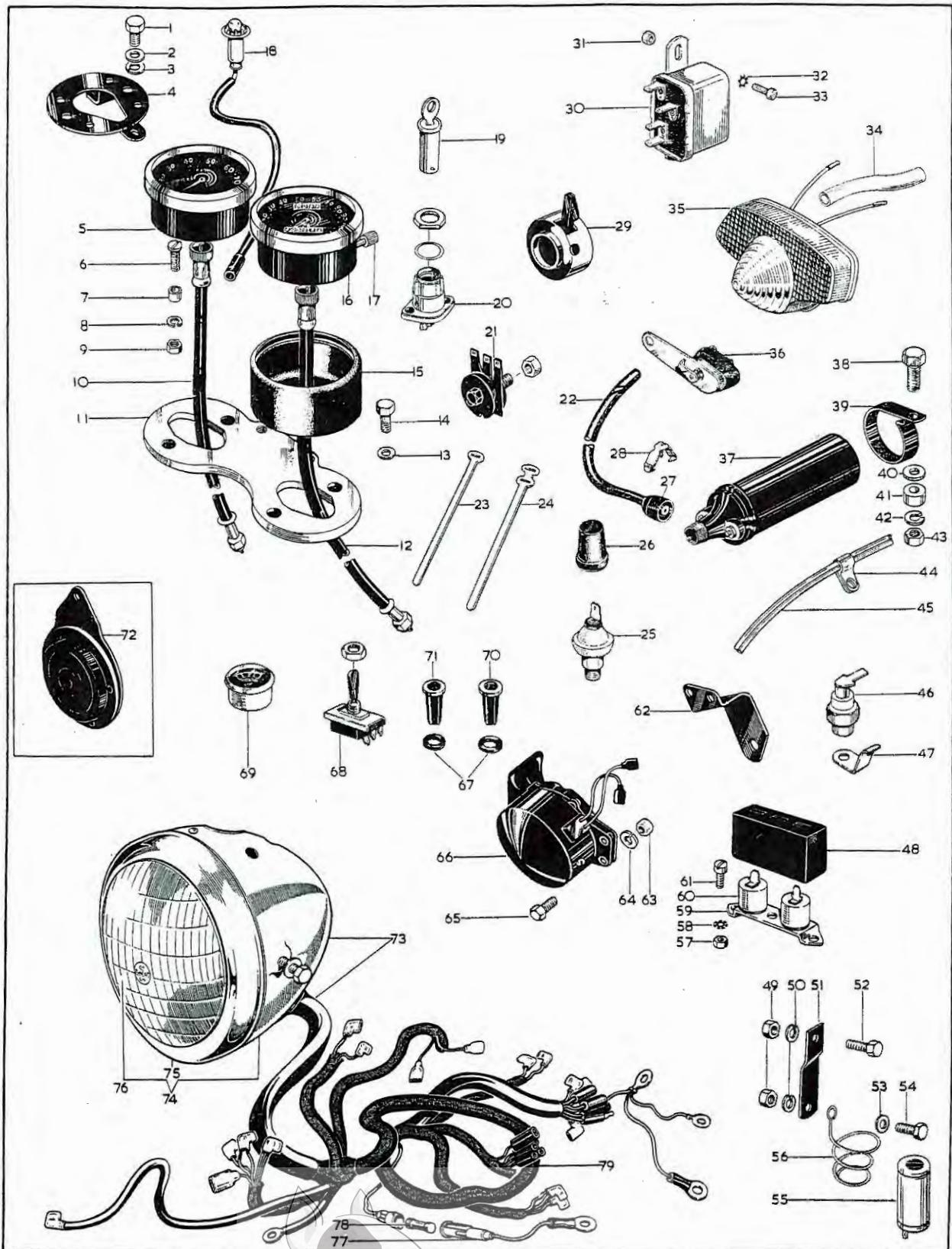


CLASSIC
BIKE SPARES

ELECTRICAL EQUIPMENT

Model	Code	Spares Number		Description	Per Set
		B.S.A. NO.	MAKERS NO.		
L, T, R, F	36.	19-1125	34448	Stop switch, rear brake	
L, T, R, F	37.	19-1784	45110D	Ignition coil	2
L, T, R, F	38.	14-207		Bolt, coil clip (1/4" U.N.F. x 2")	
L, T, R, F	39.	68-4093		Coil clip	2
L, T, R, F	40.	2-6537		Washer, coil clip	2
L, T, R, F	41.	42-8098		Spacer, coil clip	
L, T, R, F	42.	2-1462		Spring washer, coil clip	
L, T, R, F	43.	14-301		Nut, coil clip (1/4" U.N.F.)	
L, T, R, F	44.	66-8340		Clip, battery vent pipe	
L, T, R, F	45.	68-9163		Battery vent pipe	
L, T, R, F	46.	19-1735	49345A	Zener diode	
L, T, R, F	47.	68-9429		Diode retaining clip	
L, T, R, F	48.	19-1848	54418528	Rubber cover, condenser pack	2
L, T, R, F	49.	14-301		Nut, capacitor and bracket mounting	2
L, T, R, F	50.	2-1462		Spring washer, for nut line 49	
L, T, R, F	51.	82-8277		Capacitor bracket	
L, T, R, F	52.	14-103		Bolt, capacitor bracket (1/4" U.N.F. x 3/4")	} to order only..
L, T, R, F	53.	2-525		Washer, capacitor mounting	
L, T, R, F	54.	14-102		Bolt, capacitor mounting (1/4" U.N.F. x 5/8")	
L, T, R, F	55.	82-8319	54170009	Capacitor	
L, T, R, F	56.	82-8320	54483156	Spring, capacitor mounting	2
L, T, R, F	57.	2-47		Nut, condenser base plate mounting	2
L, T, R, F	58.	29-3319		Lockwasher, for nut line 57	
L, T, R, F	59.	19-1861		Base plate, condenser pack	2
L, T, R, F	60.	19-1847	54418527	Condenser	2
L, T, R, F	61.	40-236		Screw, condenser base plate	
L	62.	82-9799		Horn bracket, right-hand	
L	62.	82-9800		Horn bracket, left-hand	
L	63.	14-301		Nut, horn mounting (1/4" U.N.F.)	4
L	64.	2-1462		Spring washer, horn mounting	4
L	65.	14-103		Bolt, horn mounting (1/4" U.N.F. x 3/4")	4
L	66.	19-2070	P.201	Horn, right-hand	
L	66.	19-2071	P.101	Horn, left-hand	
L, T, R, F	67.		54140331	Sealing ring, headlamp warning light	2
L, T, R, F	68.	19-964	35710	Light switch, headlamp	
L, T, R, F	69.	19-963	36403	Ammeter, headlamp	
L, T, R, F	70.	19-965	38189	Warning light, red, oil pressure	
L, T, R, F	71.	19-982	38191	Warning light, green, main beam	
F, T, R	72.	19-2064	HF.80	Horn	
L, T, R	73.	19-1169	54052889	Headlamp with harness—standard	
L, T, R	73.	19-1183	54052890	Headlamp with harness—Europe	
L, T, R	73.	19-1185	54052891	Headlamp with harness—France	





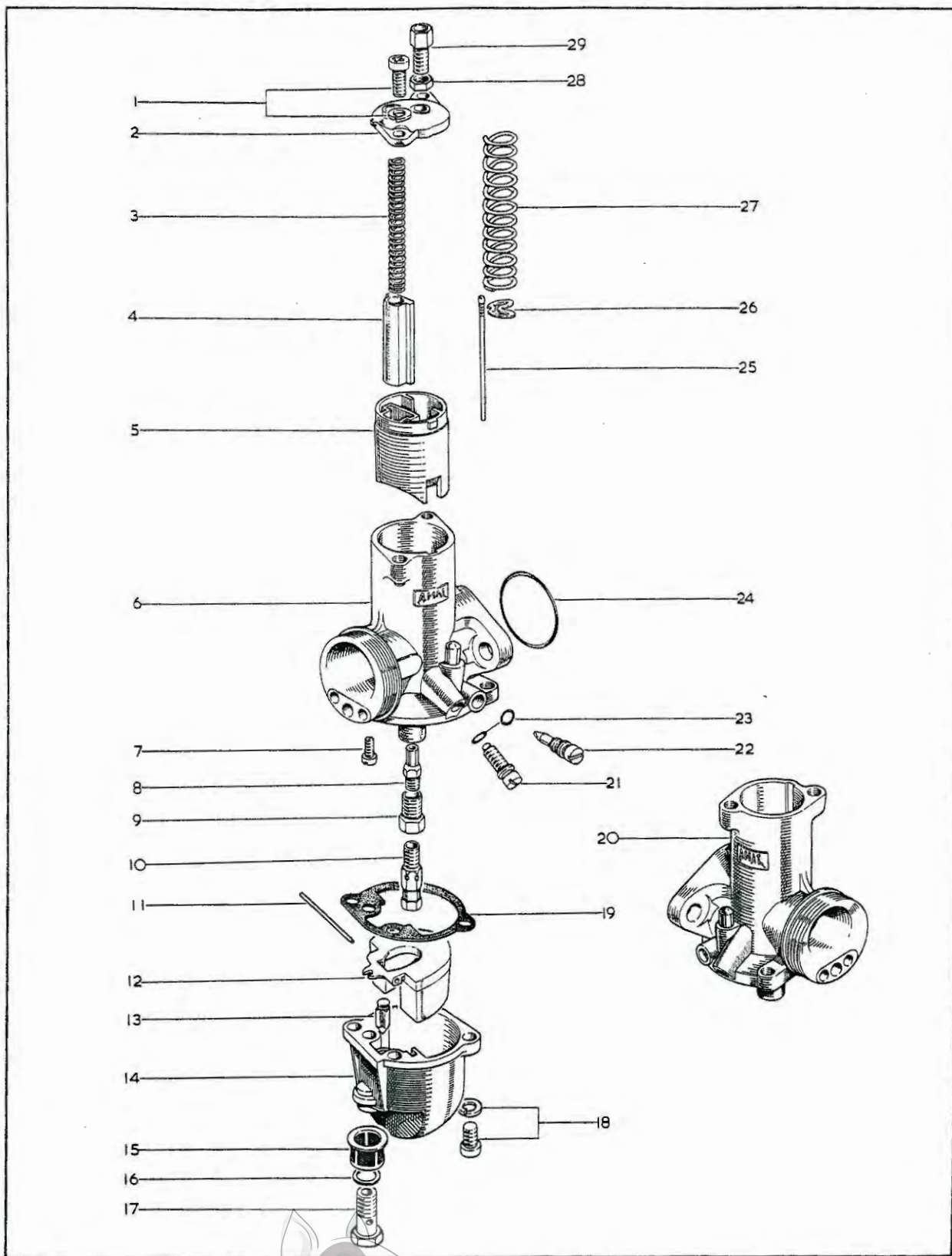
CLASSIC
BIKE SPARES

ELECTRICAL EQUIPMENT

Model	Code	Spares Number		Description	Per Set
		B.S.A. NO.	MAKERS NO.		
F	73.	19-967	54052834	Headlamp with harness—standard
L, T, R	74.	19-1173	59883	Headlamp only—standard
L, T, R	74.	19-1184	59885	Headlamp only—Europe
L, T, R	74.	19-1186	59885	Headlamp only—France, with 411 bulb
F	74.	19-966	59881	Headlamp only—standard
L, T, R	75.	19-701	553248	Headlamp rim
F	75.	19-610	534343	Headlamp rim
L, T, R	76.	19-958	516798	Headlamp light unit—standard
F	76.	19-738	516828	Headlamp light unit—standard
L, T, R	76.	19-959	54522680	Headlamp light unit—France and Europe
L, T, R, F			504665	Wire fixing clip	6
L, T, R, F			144921	Rim fixing screw
L, T, R, F			534296	Rim fixing plate
L, T, R, F			281	Warning light bulb	2
L, T, R, F			54945043	Bulb holder, warning light	2
L, T, R, F			554602	Main bulb holder—standard
L, T, R, F			555910	Sleeve, terminal—standard
L, T, R, F			54573590	Pilot bulb holder
L, T, R, F			553780	Interior, pilot bulb holder
L, T, R, F			554354	Ring, seating pilot bulb holder
L, T, R, F			446	Main bulb—standard
L, T, R, F			989	Pilot bulb
L, T, R, F			850641	Double connector
L, T, R, F			112201	Screw, fixing lamp	2
L, T, R, F			137498	Washer, lamp fixing screw	2
L, T, R			54523999	Lamp body
F			54524000	Lamp body
L, T, R			556442	Spring retaining main bulb	} France and Europe ..
L, T, R			553738	Adaptor, main bulb	
L, T, R			900288	Single connector	
L, T, R			410	Main bulb—Europe
L, T, R			411	Main bulb—France
L, T, R, F	77.	19-1249	188218	Fuse, 35 amp.
L, T, R, F	78.	19-969	54190387	Fuse holder
L, T, R	79.	19-1171	54955258	Main harness
F	79.	19-968	54953442	Main harness
L, T, R, F		19-1776	54027029	Battery

NOTE:—Where no B.S.A. part number is quoted, the part is only available from the makers.





CARBURETTER

Model	Code	Spares Number		Description	Per Set
		B.S.A. NO.	AMAL NO.		
L, T, R, F	1.	19-3093	622/086	Screw and washer for top cap	4/2
L, F	2.		928/064	Mixing chamber top cap	2
T	2.		928/098	Mixing chamber top cap	
R	2.		622/098	Mixing chamber top cap	
L, T, R, F	3.	19-3092	622/065	Air valve spring	2/1
L, T, F	4.	19-3109	928/062	Air valve	2/1
R	4.	19-3091	622/062	Air valve	
L, F	5.	19-3128	928/060	Throttle valve, size 2½	2
T	5.	19-3127	928/060	Throttle valve, size 3½	
R	5.	19-3129	622/060	Throttle valve, size 3½	
L, F	6.		R.930	Body, right-hand	
T	6.		R.928	Body	
R	6.		R.626	Body	
L, T, F	7.	19-3110	124/026	Pilot jet, size 20 c.c.	2/1
R	7.	19-3100	124/026	Pilot jet, size 25 c.c.	
L, T, R, F	8.	19-3130	622/079	Needle jet, size .106"	2/1
L, T, R, F	9.		622/080	Jet holder	2/1
L, F	10.	19-3036	376/100	Main jet, size 190 c.c.	2
R	10.	19-2880	376/100	Main jet, size 200 c.c.	
T	10.	19-2883	376/100	Main jet, size 230 c.c.	
L, T, R, F	11.		622/071	Float spindle	2/1
L, T, R, F	12.	19-3102	622/069	Float	2/1
L, T, R, F	13.	19-3105	622/068	Float needle	2/1
L, T, R, F	14.		622/050	Float chamber	2/1
L, T, R, F	15.	19-3048	376/093	Petrol pipe filter	2/1
T, R	16.		13/163	Banjo bolt washer	
L, T, R, F	17.	19-3103	622/078	Banjo bolt	2/1
L, T, R, F	18.	19-3093	622/086	Screw and washer, float chamber	4/2
L, T, R, F	19.	19-3106	622/073	Float chamber gasket	2/1
L, F	20.		L.930	Body, left-hand	
L, T, R, F	21.		622/077	Throttle stop screw	2/1
L, T, R, F	22.		622/076	Pilot air screw	2/1
L, T, R, F	23.	19-3098	622/082	'O' ring, throttle and air screws	4/2
L, T, R, F	24.	19-3090	622/101	'O' ring, carburetter flange	2/1
L, T, F	25.	19-3107	928/063	Throttle needle	2/1
R	25.	19-3096	622/063	Throttle needle	
L, T, R, F	26.	19-3095	622/067	Clip, throttle needle	2/1
L, T, R, F	27.	19-3094	622/061	Throttle spring	2/1
L, F	28.		5/077	Locknut, cable adjuster	2
L, F	29.		4/035	Cable adjuster	2

NOTE:—Where no B.S.A. part number is quoted, the part is only available from the makers.

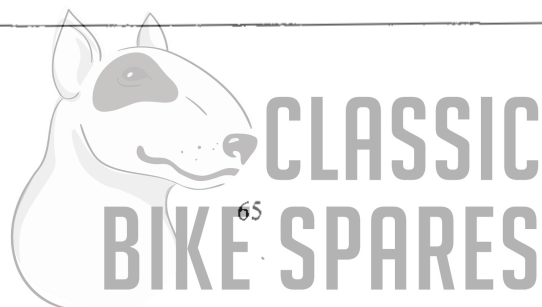


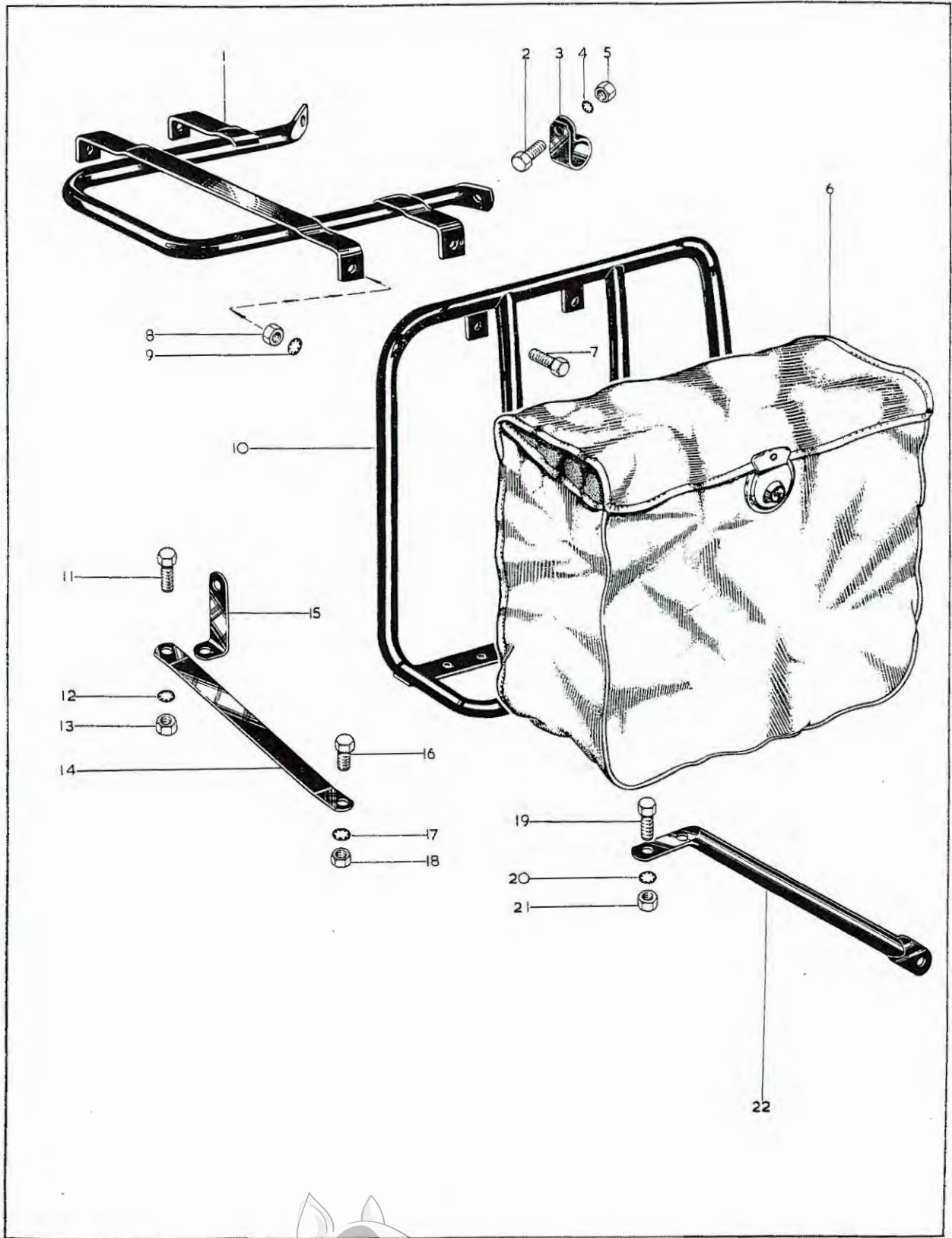
Plate 25

TOOLKIT

<i>Model</i>	<i>Code</i>	<i>Spares No.</i>	<i>Description</i>	<i>Per Set</i>
L, T, R	1.	29-541*	Lockwasher for licence holder
L, T, R	2.	19-5390*	Licence holder
L, T, R, F	3.	67-9026	Ring spanner
L, T, R, F	4.	60-767	Screwdriver set
L, T, R, F	5.	68-9462	Rear damper and chain adjuster spanner
L, T, R, F	6.	29-9252	Tyre lever
L, T, R, F	7.	60-801	Tyre lever/tommybar
L, T, R, F	8.	60-2084	Double-open-ended spanner
L, T, R	9.	90-9237*	Tyre inflator
L, T, R, F	10.	68-9467	Tyre valve key
L, T, R, F	11.	68-9461	Tool roll
L, T, R, F	12.	40-9017	Double-ended box spanner
L, T, R, F	13.	68-9464	Spark plug spanner
L, T, R, F		60-2112	Toolkit complete

*Except U.S.A. models.

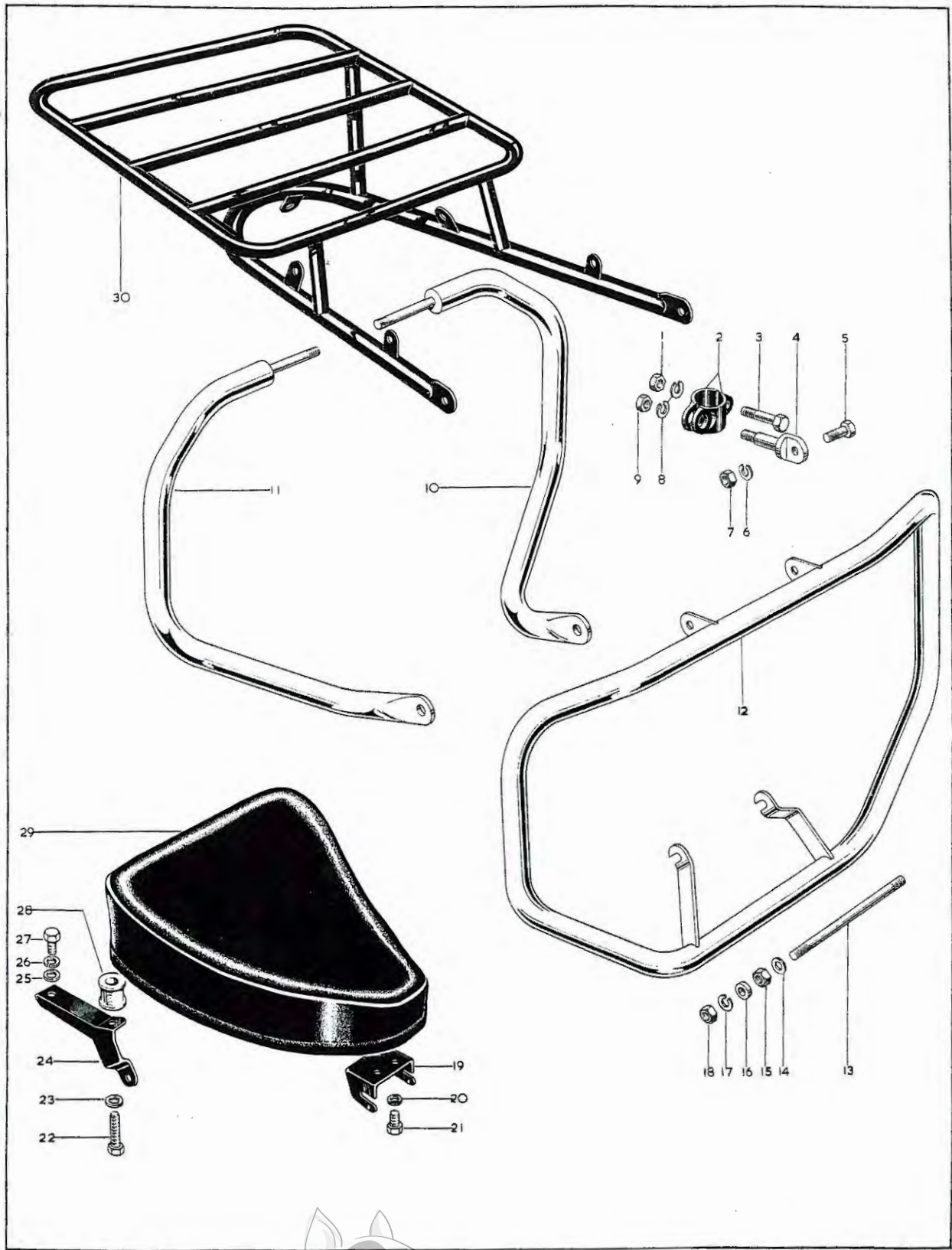




REAR CARRIER WITH PANNIERS
(TO ORDER ONLY)

<i>Model</i>	<i>Code</i>	<i>Spares No.</i>	<i>Description</i>	<i>Per Set</i>
	1.	68-6881	Rear carrier for panniers	
	2.	14-114	Bolt, carrier clip ($\frac{5}{16}$ " U.N.F. \times $\frac{3}{4}$ ")	2
	3.	24-8928	Carrier clip	2
	4.	36-382	Lockwasher, for nut line 5 ($\frac{5}{16}$ ")	2
	5.	14-302	Nut, carrier clip bolt ($\frac{5}{16}$ " U.N.F.)	2
	6.	76-9175	Pannier bag	2
	7.	14-113	Bolt, frame to carrier ($\frac{5}{16}$ " U.N.F. \times $\frac{5}{8}$ ")	4
	8.	14-302	Nut, frame to carrier ($\frac{5}{16}$ " U.N.F.)	4
	9.	36-382	Lockwasher, for nut line 8 ($\frac{5}{16}$ ")	4
	10.	68-6913	Pannier frame, left-hand	
	10.	68-6914	Pannier frame, right-hand	
	11.	14-102	Bolt, link to bracket ($\frac{1}{4}$ " U.N.F. \times $\frac{5}{8}$ ")	
	12.	29-541	Lockwasher, for nut line 13 ($\frac{1}{4}$ ")	
	13.	14-301	Nut, link to bracket ($\frac{1}{4}$ " U.N.F.)	
	14.	68-6885	Pannier frame link	2
	15.	90-6996	Bracket, link to guard	
	16.	14-101	Bolt, link to frame ($\frac{1}{4}$ " U.N.F. \times $\frac{1}{2}$ ")	2
	17.	29-541	Lockwasher, for nut line 18 ($\frac{1}{4}$ ")	2
	18.	14-301	Nut, link to frame ($\frac{1}{4}$ " U.N.F.)	2
	19.	14-102	Bolt, support tube to frame ($\frac{1}{4}$ " U.N.F. \times $\frac{5}{8}$ ")	4
	20.	29-541	Lockwasher, for nut line 21 ($\frac{1}{4}$ ")	4
	21.	14-301	Nut, support tube to frame ($\frac{1}{4}$ " U.N.F.)	4
	22.	68-6919	Support tube, left-hand	
	22.	68-6920	Support tube, right-hand	
		68-6880	Pannier and carrier assembly	





REAR CARRIER, SHORT SEAT, SAFETY BARS
(TO ORDER ONLY)

Model	Code	Spares No.	Description	Per Set
	1.	14-303	Nut, for bolt line 3 ($\frac{3}{8}$ " U.N.F.)	2
	2.	42-4906	Split clamp, front safety bar	2
	3.	14-234	Bolt, split clamp ($\frac{3}{8}$ " U.N.F. \times 1 $\frac{3}{4}$ "	2
	4.	42-4904	Eye bolt, split clamp ($\frac{3}{8}$ " B.S.C.)	2
	5.	14-128	Bolt, safety bar to eye bolt ($\frac{3}{8}$ " U.N.F. \times 1"	2
	6.	2-2903	Spring washer, for nut line 7	2
	7.	14-303	Nut, for bolt line 5 ($\frac{3}{8}$ " U.N.F.)	2
	8.	2-2903	Spring washer, for nut lines 1 and 9	2
	9.	2-46	Nut, for eye bolt line 4 ($\frac{3}{8}$ " B.S.C.)	2
	10.	68-4936	Rear safety bar, left-hand	
	11.	68-4937	Rear safety bar, right-hand	
	12.	68-4900	Front safety bar	
	13.	68-4905	Front engine mounting stud ($\frac{7}{16}$ " B.S.C.)	
	14.	15-431	Washer, engine stud ($\frac{7}{16}$ " \times $\frac{3}{4}$ " \times $\frac{1}{16}$ "	2
	15.	27-8059	Nut, engine stud ($\frac{7}{16}$ " B.S.C.)	2
	16.	68-4906	Spacer, engine stud	2
	17.	2-1967	Spring washer, engine stud ($\frac{7}{16}$ "	2
	18.	27-8059	Nut, engine stud ($\frac{7}{16}$ " B.S.C.)	2
	19.	68-9049	Front bracket, short seat	
	20.	2-1462	Spring washer, for bolt line 21 ($\frac{1}{4}$ "	2
	21.	2-204	Bolt, front bracket to seat ($\frac{1}{4}$ " B.S.C. \times $\frac{1}{2}$ "	2
	22.	15-1355	Bolt, rear bracket to seat ($\frac{5}{16}$ " B.S.C. \times 1 $\frac{1}{2}$ "	2
	23.	24-8784	Spring washer, for bolt line 22 ($\frac{5}{16}$ "	2
	24.	68-9512	Rear bracket, left-hand, short seat	
	24.	68-9513	Rear bracket, right-hand, short seat	
	25.	2-923	Washer, for bolt line 27 ($\frac{5}{16}$ " \times $\frac{5}{8}$ " \times $\frac{1}{16}$ "	4
	26.	24-8784	Spring washer, for bolt line 27 ($\frac{5}{16}$ " .. $\frac{1}{8}$	2
	27.	28-2338	Bolt, rear bracket to guard ($\frac{5}{16}$ " B.S.C. \times 2 $\frac{3}{32}$ "	2
	28.	42-6763	Spacer, short seat	2
	29.	68-9047	Short seat	
	30.	68-6884	Rear carrier, short seat	
	30.	68-6875	Rear carrier, twin seat	
		68-4907	Front safety bar assembly	
		68-4939	Rear safety bar assembly	

