



20-10140C

Replacement parts list 1972

500 cm³ models

Publication Ref.
00-5732







Replacement parts list

500cm³ models

B50T Victor 500 Trail

B50SS Gold Star 500 Street Scrambler

B50SS Gold Star 500 Street Scrambler
(Home and General Export)

B50MX Victor 500 Moto-Cross

Commencing	JG.00101	B50T
Engine and	JG.00101	B50SS
Frame numbers	JG.00101	B50MX

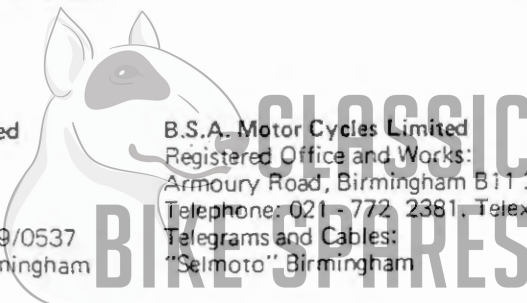
This parts list also covers 1971 models and supersedes publication 00-5721

Issued by
B.S.A. Motor Cycles Limited
Spares Department,
Montgomery Street,
Birmingham B11 1DZ.
Telephone: 021 - 772 0569/0537
Telegrams: "Selmoto" Birmingham

B.S.A. Motor Cycles Limited
Registered Office and Works:
Armoury Road, Birmingham B11 2PX.
Telephone: 021 - 772 2381. Telex: 33315
Telegrams and Cables:
"Selmoto" Birmingham

1972 Publication
Ref. 00-5732

Printed in England
by B.S.A. Press



CLASSIC
BIKE SPARES

Please Note!

Replacement parts or accessories must be of B.S.A. origin or as approved by B.S.A. Motor Cycles Ltd.

In this respect your attention is drawn to the Terms and Conditions of B.S.A. Guarantee.

Lock No.	Key No.	Lock No.	Key No.	Lock No.	Key No.
EJR 1	19-5151	EJR 18	19-5168	EJR 35	19-5185
EJR 2	19-5152	EJR 19	19-5169	EJR 36	19-5186
EJR 3	19-5153	EJR 20	19-5170	EJR 37	19-5187
EJR 4	19-5154	EJR 21	19-5171	EJR 38	19-5188
EJR 5	19-5155	EJR 22	19-5172	EJR 39	19-5189
EJR 6	19-5156	EJR 23	19-5173	EJR 40	19-5190
EJR 7	19-5157	EJR 24	19-5174	EJR 41	19-5191
EJR 8	19-5158	EJR 25	19-5175	EJR 42	19-5192
EJR 9	19-5159	EJR 26	19-5176	EJR 43	19-5193
EJR 10	19-5160	EJR 27	19-5177	EJR 44	19-5194
EJR 11	19-5161	EJR 28	19-5178	EJR 45	19-5195
EJR 12	19-5162	EJR 29	19-5179	EJR 46	19-5196
EJR 13	19-5163	EJR 30	19-5180	EJR 47	19-5197
EJR 14	19-5164	EJR 31	19-5181	EJR 48	19-5198
EJR 15	19-5165	EJR 32	19-5182	EJR 49	19-5199
EJR 16	19-5166	EJR 33	19-5183	EJR 50	19-5200
EJR 17	19-5167	EJR 34	19-5184		

MODEL ABBREVIATIONS

T = TRAIL
 SS = STREET SCRAMBLER
 H = STREET SCRAMBLER — HOME AND GENERAL EXPORT
 MX = MOTO-CROSS

SUFFIX NUMBERS TO BE USED TO IDENTIFY VARYING FINISHES

When ordering components with varying finishes, please state finish required by adding the appropriate suffix to part number.

EXAMPLE:—

Fuel tank (B50MX) Polished aluminium. White centre stripe. Flamboardeaux side stripes 83-2721/314

FUEL TANK

Polished aluminium. White centre stripe. Flamboardeaux side stripes	/314
Hi-violet	/315

MUDGUARDS

Rear, Hi-violet	/315
Chrome	/003

SIDECOVERS

White	/305
Hi-violet	/315

FRONT BRAKE PLATE

Black instrument finish	/306
---------------------------------	------

OTHER PARTS

Chrome	/003
Black	/007
Silver sheen	/307

PRICES

No price code is given in this list. For prices please refer to the latest edition of the Master Price List.

Details of thread form and size are quoted after description of nuts, bolts, screws, studs and washers. Such as: 14-7006 Socket screw ($\frac{1}{4}$ " UN.C. \times 1") = $\frac{1}{4}$ " diameter unified coarse thread, 1" long under head.

Vital components, which are manufactured from a special material, are indicated by a sign and the British Standard symbol for the material is quoted at the foot of the page.

ABBREVIATIONS — SCREW THREADS

B.A.	=	British Association
B.S.C.	=	British Standard Cycle
B.S.F.	=	British Standard Fine
W.F.	=	Whitworth Form
UN.F.	=	Unified Fine
UN.C.	=	Unified Coarse
UN.S.	=	Unified Special



BRAKES (LOCKHEED)

AUTOMOTIVE PRODUCTS CO. LIMITED, P.O. BOX 14, SOUTHAM ROAD. BANBURY,
OXFORDSHIRE.

CARBURETTORS

AMAL LIMITED. HOLDFORD ROAD. WITTON. BIRMINGHAM 6.

CHAINS

RENOLDS CHAINS LIMITED. WYTHENSHAW. MANCHESTER.

ELECTRICAL EQUIPMENT

J. LUCAS LIMITED. GREAT HAMPTON STREET, BIRMINGHAM 18.

REAR SUSPENSION UNITS

GIRLING LIMITED. BIRMINGHAM ROAD. WEST BROMWICH. STAFFORDSHIRE.

SPARKING PLUGS

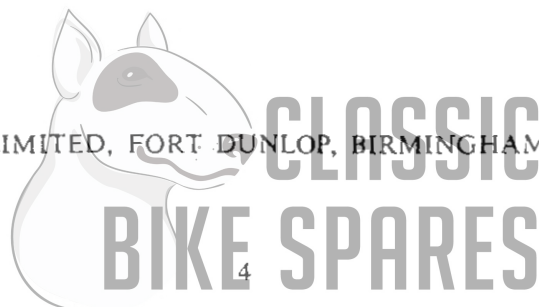
CHAMPION SPARKING PLUG CO. LIMITED. FELTHAM, MIDDLESEX.

SPEEDOMETERS

SMITH'S INDUSTRIES LIMITED. MOTOR ACCESSORY DIVISION, 50 OXGATE LANE.
LONDON N.W.2.

TYRES

DUNLOP COMPANY LIMITED, FORT DUNLOP, BIRMINGHAM 24.



ASSEMBLIES COMPLETE

Spares No.	Description
00-7009	LOCTITE PLASTIC GASKET (10 bottle trade pack).
00-7007	B.S.A. LOCTITE (10 tube trade pack)
00-3174	GASKET SET — DECARBONISING.
00-3316	GASKET SET — FULL OVERHAUL.
71-1863	ENGINE UNIT, LESS CARBURETTER AND EXHAUST SYSTEM (Trail).
71-2237	ENGINE UNIT, LESS CARBURETTER AND EXHAUST SYSTEM (Moto-Cross).
71-2234	ENGINE UNIT, LESS CARBURETTER AND EXHAUST SYSTEM (Street Scrambler).
71-1870	CRANKCASE COMPLETE WITH FIXED FITTINGS.
71-3001	OIL PUMP COMPLETE.
71-1675	FLYWHEEL AND CONNECTING ROD ASSEMBLY.
71-2586	CONNECTING ROD AND BIG-END ASSEMBLY.
57-4302	CLUTCH ASSEMBLY COMPLETE.
83-3996	FRAME COMPLETE (Trail and Street Scrambler).
83-2984	FRAME COMPLETE (Moto-Cross).
97-4335	FRONT FORK COMPLETE (Trail and Street Scrambler).
97-4336	FRONT FORK COMPLETE (Moto-Cross).
37-3791	FRONT WHEEL LESS BRAKE (Trail and Moto-Cross) 6" brake.
37-3735	FRONT WHEEL LESS BRAKE (Street Scrambler) 8" brake.
37-3792	FRONT WHEEL WITH BRAKE (Trail and Moto-Cross) 6" brake.
37-3793	FRONT HUB WITH SPINDLE AND BEARINGS (Trail and Moto-Cross) 6" brake.
37-3848	FRONT HUB WITH SPINDLE AND BEARINGS (Street Scrambler) 8" brake.
37-3958	REAR WHEEL LESS BRAKE (Trail).
37-3959	REAR WHEEL LESS BRAKE (Moto-Cross).
37-3957	REAR WHEEL LESS BRAKE (Street Scrambler).
37-3780	REAR WHEEL WITH BRAKE (Trail).
37-3960	REAR WHEEL WITH BRAKE (Moto-Cross).
37-3991	REAR WHEEL WITH BRAKE (Street Scrambler).
37-3908	REAR HUB WITH SPINDLE AND BEARING (Moto-Cross).
37-3907	REAR HUB WITH SPINDLE AND BEARINGS (Trail and Street Scrambler).
00-5220	TACHOMETER KIT.
19-2429	CARBURETTER COMPLETE (Moto-Cross).
19-2430	CARBURETTER COMPLETE (Trail and Street Scrambler).



PISTON CHART

PISTON COMPLETE

Model	Compression Ratio	Standard	$\pm \frac{1}{2}$ mm.	1 mm.
T SS H MX	10 : 1	71-2745	71-2749	71-2751

PISTON RINGS (STANDARD)

Model	COMPRESSION (2) Taper	SCRAPER Upper Segment	SCRAPER Lower Segment
T SS H MX	71-2152	71-2155	71-2167

PISTON RINGS ($\pm \frac{1}{2}$ mm.)

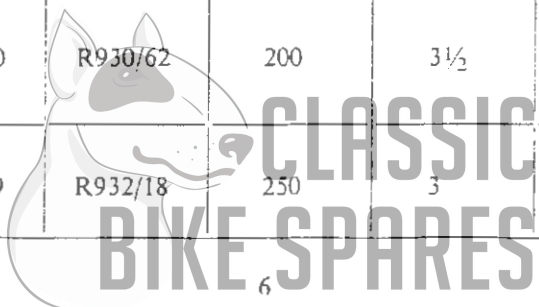
Model	COMPRESSION (2) Taper	SCRAPER Upper Segment	SCRAPER Lower Segment
T SS H MX	71-2153	71-2156	71-2168

PISTON RINGS (+1 mm.)

Model	COMPRESSION (2) Taper	SCRAPER Upper Segment	SCRAPER Lower Segment
T SS H MX	71-2154	71-2157	71-2169

CARBURETTER

Model	Spares No.	Makers No.	Main Jet	Throttle Slide	Needle Jet	Needle Position
T SS H	19-2430	R930/62	200	3½	·106	1
MX	19-2429	R932/18	250	3	·106	2



INDEX

	<i>Page</i>
ASSEMBLIES COMPLETE	5
Plate 1 CYLINDER HEAD — EXHAUST PIPE	8 - 9
Plate 2 CYLINDER — CRANKSHAFT	10 - 11
Plate 3 CRANKCASE	12 - 15
Plate 4 OIL PUMP — SUMP — GEARBOX SPROCKET	16 - 17
Plate 5 GEAR CLUSTER	18 - 91
Plate 6 GEARCHANGE MECHANISM	20 - 21
Plate 7 KICKSTART — GEARCHANGE	22 - 25
Plate 8 CLUTCH — PRIMARY COVER	26 - 27
Plate 9 FRAME — BATTERY CARRIER — TOOL TRAY — ENGINE SHIELD ..	28 - 31
Plate 10 SWINGING ARM — REAR SUSPENSION — CHAINGUARD	32 - 33
Plate 11 REAR BRAKE CONTROL — FOOTREST — SILENCER	34 - 37
Plate 12 AIR FILTER — SIDECOVERS — OIL PIPES	38 - 39
Plate 13 FRONT FORKS	40 - 43
Plate 14 FRONT WHEEL (6" Brake)	44 - 45
Plate 15 FRONT WHEEL (8" Brake)	46 - 47
Plate 16 REAR WHEEL — CHAIN GUIDE	48 - 51
Plate 17 MUDGUARDS — HANDRAIL	52 - 55
Plate 18 FUEL TANK — TWINSEAT — CONTROLS	56 - 61
Plate 19 ELECTRICAL EQUIPMENT	62 - 69
Plate 20 CARBURETTER	70 - 71
Plate 21 TOOLS — ACCESSORIES	72 - 73



Plate 1

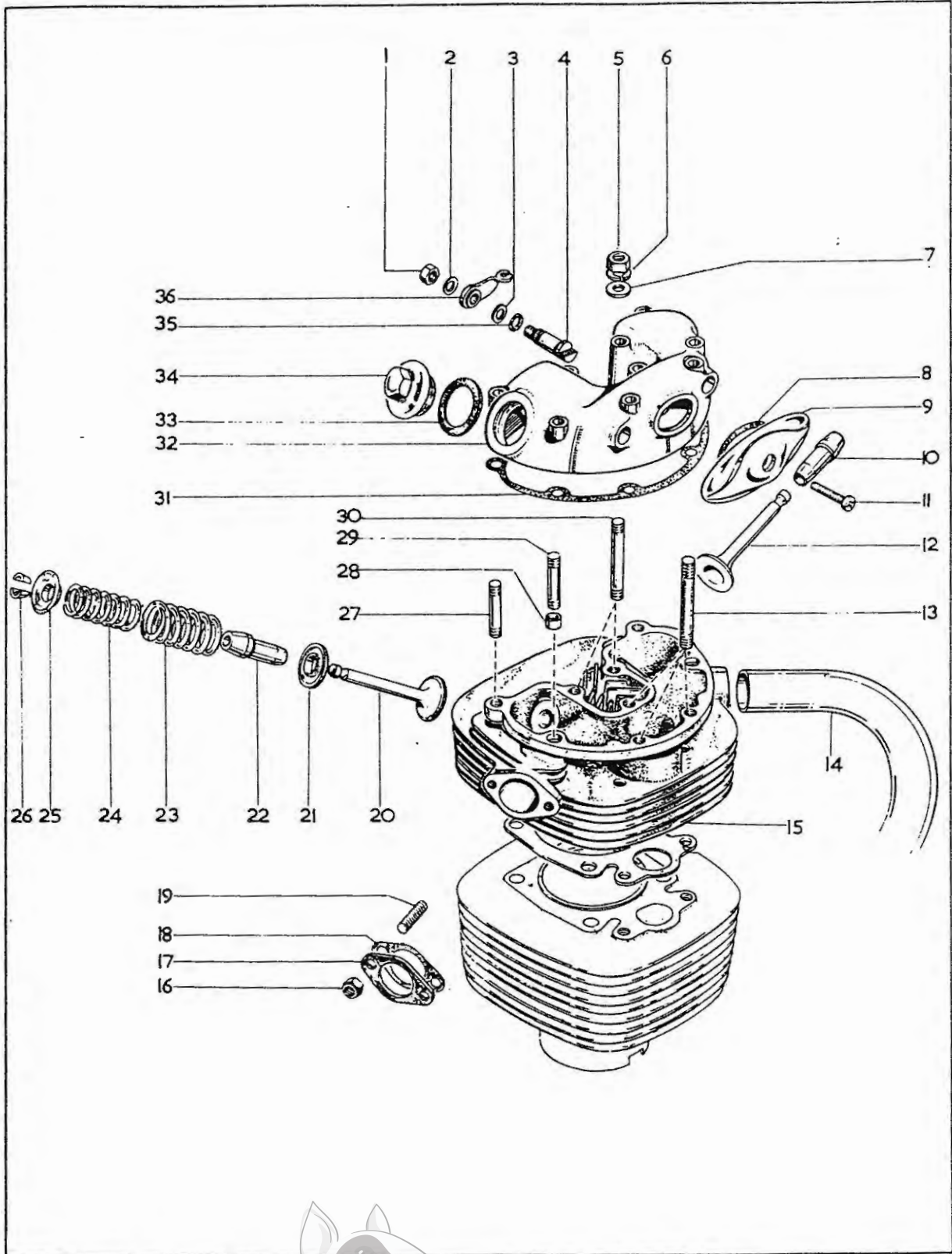


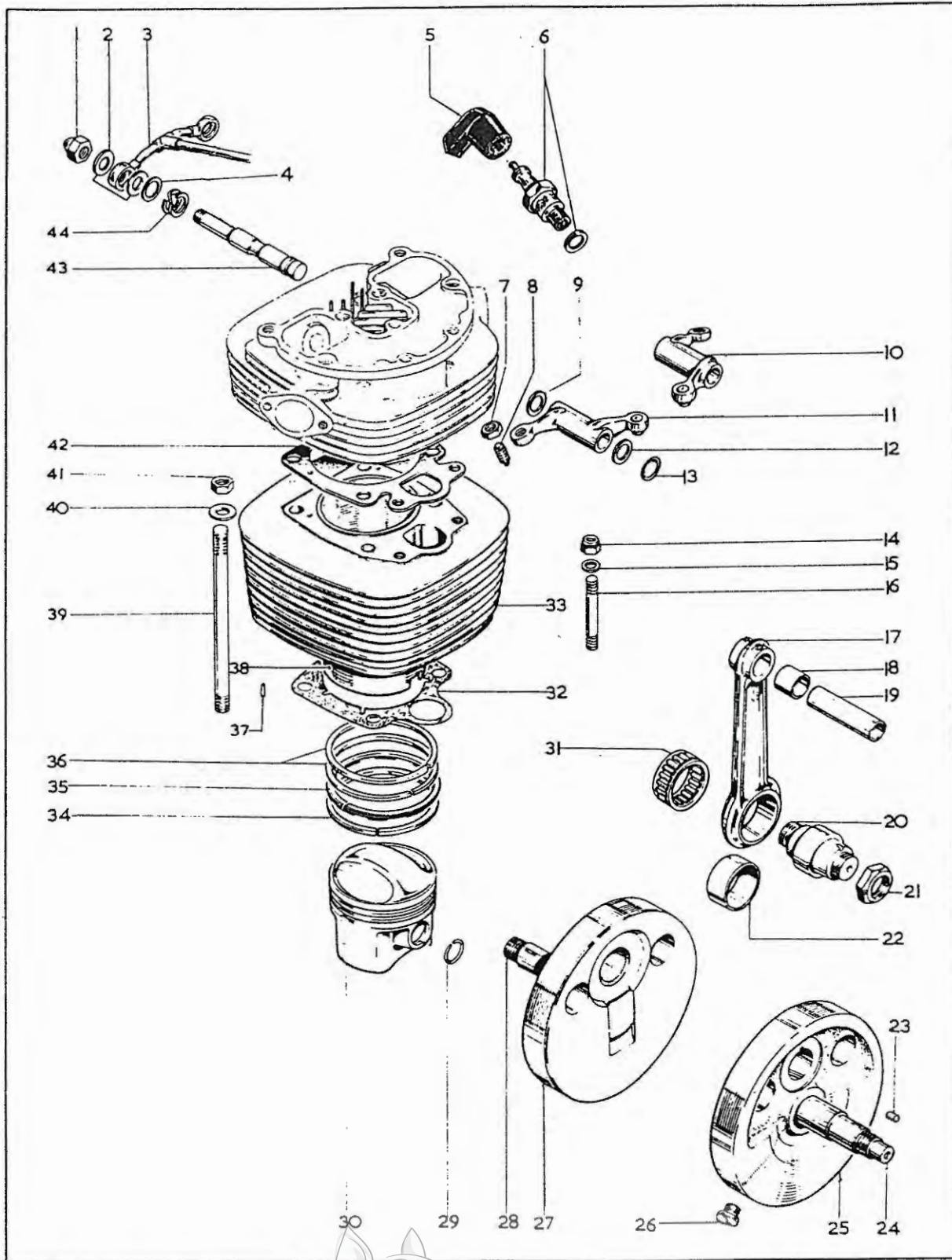
Plate 1

CYLINDER HEAD — EXHAUST PIPE

Model	Key No.	Spares No.	Description	Per Set
T SS H	1	02-0443	Nut — valve lifter ($\frac{1}{4}$ " B.S.C.)	1
T SS H	2	02-0525	Washer — valve lifter, inner ($\cdot 255" \times \cdot 500" \times \cdot 048"$)	1
T SS H	3	15-5155	Washer — valve lifter, outer ($\cdot 328" \times \cdot 505" \times \cdot 048"$)	1
T SS H	4	40-0417	Spindle — exhaust valve lifter	1
T SS H MX	5	14-0302	Nut — rocker box ($\frac{5}{16}$ " UN.F.)	7
T SS H MX	5	14-0402	Nut — rocker box, beneath head steady bracket	2
T SS H MX	6	60-2428	Spring washer — rocker box nut	9
T SS H MX	7	60-2330	Washer — rocker box nut ($\cdot 333" \times \cdot 625" \times \cdot 040"$)	9
T SS H MX	8	71-1429	Gasket — rocker inspection cover	1
T SS H MX	9	40-0208	Cover — push rod inspection	1
T SS H MX	10	71-1627	Valve guide — exhaust	1
T SS H MX	11	40-0309	Screw — push rod inspection cover (2B.A. $\times 1\frac{1}{8}"$)	1
T SS H MX	12	71-1736	Exhaust valve	1
T SS H MX	13	21-2135	Stud — cylinder head ($\frac{5}{16}$ " UN.C./UN.F. $\times 3\frac{1}{16}"$)	3
T SS	14	71-2177	Exhaust pipe complete	1
H	14	71-3148	Exhaust pipe complete (low level)	1
MX	14	71-2899	Exhaust pipe complete	1
T SS H MX	15	71-1732	Cylinder head with fixed fittings	1
T SS H MX	16	14-1302	Nut — carburetter fixing ($\frac{5}{16}$ " UN.F.)	2
MX	17	71-2592	"Tufnol" washer — carburetter joint	1
T SS H	17	70-7821	"Tufnol" washer — carburetter joint	1
T SS H	18	71-1421	Gasket — carburetter joint	1
MX	18	71-2593	Gasket — carburetter joint	1
T SS H	19	14-1619	Carburetter stud ($\frac{5}{16}$ " UN.C./UN.F. $\times 1\frac{1}{4}"$)	2
T SS H MX	20	71-1735	Inlet valve	1
T SS H MX	21	68-0931	Cup — valve spring, bottom	2
T SS H MX	22	71-1626	Valve guide — inlet	1
T SS H MX	23	65-2494	Valve spring — outer	2
T SS H MX	24	65-2495	Valve spring — inner	2
T SS H MX	25	71-1165	Collar — valve spring, top	2
T SS H MX	26	71-1166	Collet — valve spring	4
T SS H MX	27	21-2133	Stud — cylinder head ($\frac{5}{16}$ " UN.F./UN.C. $\times 2\frac{9}{16}"$)	2
T SS H MX	28	71-1989	Dowel — cylinder head	2
T SS H MX	29	21-2134	Stud — cylinder head ($\frac{5}{16}$ " UN.C./UN.F. $\times 2\frac{1}{8}"$)	2
T SS H MX	30	21-2092	Stud — rocker box ($\frac{5}{16}$ " UN.C./UN.F. $\times 3\frac{1}{4}"$)	2
T SS H MX	31	71-1623	Gasket — rocker box	1
T SS H MX	32	71-1638	Rocker box	1
T SS H MX	33	40-0969	Washer — valve inspection cap	2
T SS H MX	34	40-0968	Cap — valve inspection	2
T SS H	35	68-0289	"O" ring — valve lifter spindle	1
T SS H	36	71-2938	Lever — exhaust valve lifter	1



Plate 2



CYLINDER — CRANKSHAFT

Model	Key No.	Spares No.	Description	Per Set
T SS H MX	1	40-0162	Nut — rocker spindle (domed $\frac{3}{8}$ " B.S.C.)	2
T SS H MX	2	40-0159	Copper washer — oil feed union	2
T SS H MX	3	41-0807	Rocker oil feed pipe	1
T SS H MX	4	40-0159	Copper washer — oil feed union	2
T SS H MX	5	19-7641	Spark plug cover — Champion WC200	1
T SS H	6	19-7616	Spark plug — Champion N4	1
MX	6	19-7606	Spark plug — Champion N3	1
T SS H MX	7	24-0563	Nut — rocker adjusting screw ($\frac{5}{16}$ " B.S.C.)	2
T SS H MX	8	68-0155	Screw — rocker adjusting ($\frac{5}{16}$ " B.S.C.)	2
T SS H MX	9	40-0157	Thrust washer — rocker spindle	2
T SS H MX	10	40-0296	Rocker complete — exhaust	1
T SS H MX	11	40-0292	Rocker complete — inlet	1
T SS H MX	12	40-0158	Thrust washer — rocker spindle	2
T SS H MX	13	40-0148	"O" ring — rocker spindle	2
T SS H MX	14	14-0302	Nut — cylinder barrel stud ($\frac{5}{16}$ " UN.F.)	2
T SS H MX	15	76-0012	Washer — cylinder barrel stud (.328" x .563" x .093")	2
T SS H MX	16	21-2034	Stud — cylinder barrel ($\frac{5}{16}$ " UN.C./UN.F. x $3\frac{1}{4}$ ")	2
T SS H MX	17	71-1635	Connecting rod complete	1
T SS H MX	18	66-0492	Bush — connecting rod small-end	1
T SS H MX	19	71-2747	Gudgeon pin	1
T SS H MX	20	71-1616	Crankpin	1
T SS H MX	21	41-0588	Nut — crankpin	2
T SS H MX	22	71-1199	Bush — connecting rod big-end	1
T SS H MX	23	41-0551	Peg — crankpin location	1
T SS H MX	24	71-1681	Engine shaft — right	1
T SS H MX	25	71-1677	Flywheel complete — right	1
T SS H MX	26	71-1678	Flywheel plug	1
T SS H MX	27	71-1676	Flywheel complete — left	1
T SS H MX	28	71-1632	Engine shaft — left	2
T SS H MX	29	71-2970	Circlip — gudgeon pin locating	2
T SS H MX	30	71-2745*	Piston complete (standard)	1
T SS H MX	31	70-7850	Needle roller — big-end bearing	1
T SS H MX	32	71-1624	Gasket — cylinder liner	1
T SS H MX	33	71-1219	Cylinder barrel complete	1
T SS H MX	34	71-2167*	Piston ring — scraper, lower segment (standard)	1
T SS H MX	35	71-2155*	Piston ring — scraper, upper segment (standard)	1
T SS H MX	36	71-2152*	Piston ring — taper (standard)	2
T SS H M	37	71-2549	Peg — cylinder liner	1
T SS H M	38	71-1218	Liner — cylinder barrel	1
T SS H MX	39	21-2033	Stud — cylinder head and barrel fixing	4
T SS H MX	40	41-0639	Washer — cylinder barrel (.440" x .781" x .128")	4
T SS H MX	41	14-0304	Nut — cylinder barrel ($\frac{1}{16}$ " UN.F.)	4
T SS H MX	42	71-1625	Gasket — cylinder head	1
T SS H MX	43	40-0294	Rocker spindle — inlet and exhaust	2
T SS H MX	44	40-0156	Spring washer — rocker spindle	2
T SS H MX		71-1675	Flywheel and connecting rod assembly	1
T SS H MX		71-2586	Connecting rod and crankpin assembly	1

*See page 6 for piston details



CLASSIC
BIKE SPARES

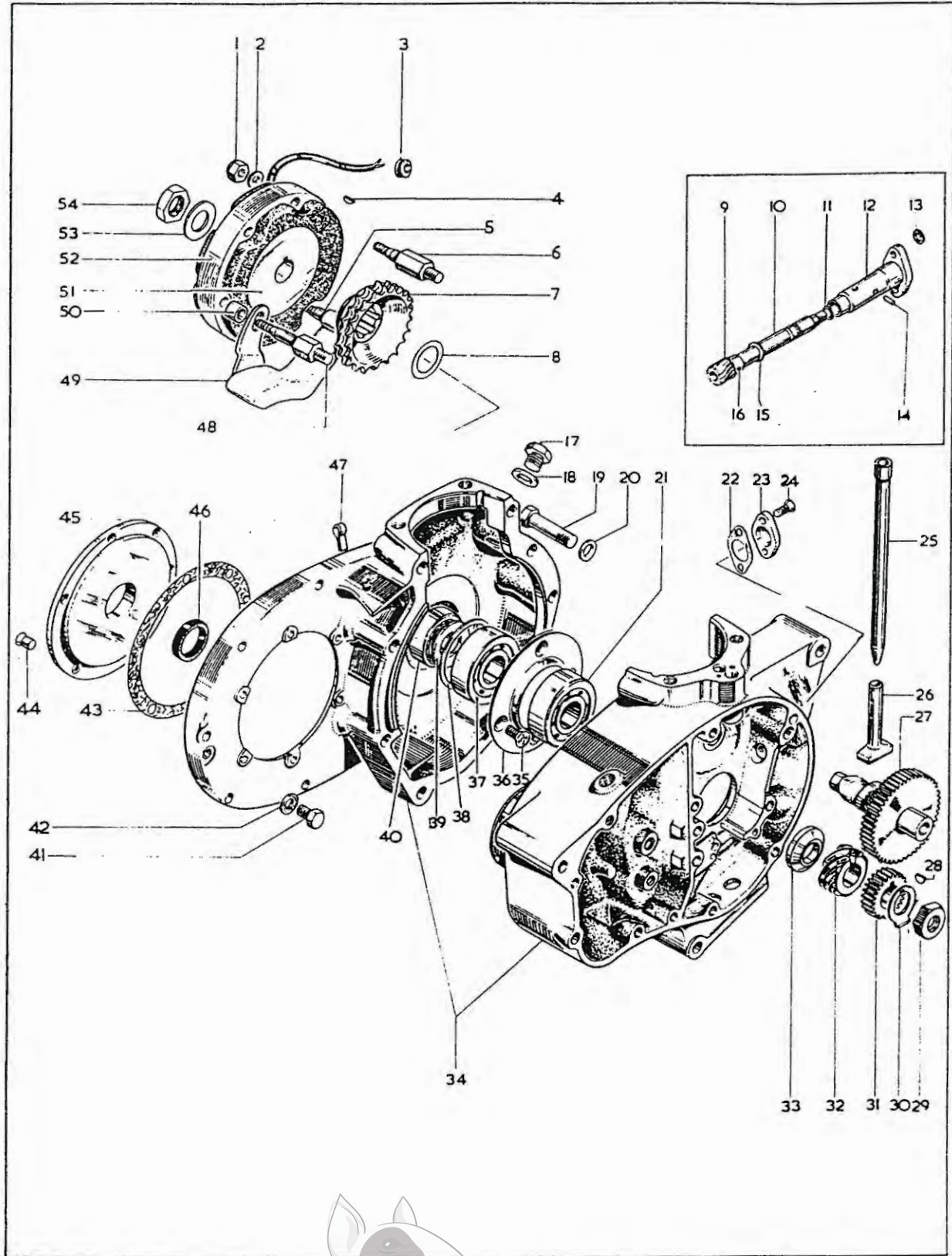


Plate 3

CRANKCASE

Model	Key No.	Spares No.	Description	Per Set
T SS H MX	1	14-1901	Nut — stator fixing ($\frac{1}{4}$ " UN.F.)	3
T SS H MX	2	02-0525	Washer — stator fixing ($\cdot 255" \times \cdot 500" \times \cdot 048"$)	3
T SS H MX	3	40-0705	Grommet — alternator lead	1
T SS H MX	4	41-0673	Key — alternator rotor	1
T SS H MX	5	21-1896	Stud — stator fixing, bottom	1
T SS H MX	6	21-1895	Stud — stator fixing, front	1
T SS H MX	7	71-1634	Engine sprocket — 28 teeth	1
T SS H MX	8	71-1630	Shim ($\cdot 015"$) — engine sprocket	as reqd.
T SS H MX	8	71-1629	Shim ($\cdot 030"$) — engine sprocket	as reqd.
T SS H MX		71-3231 *	Tachometer drive assembly complete	1
T SS H MX	9	70-9382	Gear — tachometer drive shaft	1
T SS H MX	10	71-3233	Tachometer drive shaft	1
T SS H MX	11	70-9430	"O" ring — drive shaft	1
T SS H MX	12	71-3232	Housing — tachometer drive shaft	1
T SS H MX	13	24-0036	Sealing washer — drive shaft	1
T SS H MX	14	70-9431	Pin — drive shaft locating	1
T SS H MX	15	70-9383	Thrust washer — drive shaft	1
T SS H MX	16	70-9429	Pin — drive gear retaining	1
T SS H MX	17	21-1872	Plug — timing aperture	1
T SS H MX	18	70-8896	Washer — timing aperture plug	1
T SS H MX	19	14-6219	Bolt — crankcase ($\frac{5}{16}$ " UN.C. $\times 1\frac{1}{2}$ ")	3
T SS H MX	20	02-0923	Washer — crankcase bolt ($\cdot 317" \times \cdot 625" \times \cdot 064"$)	3
T SS H MX	21	24-0724	Bearing — roller, right (Hoffmann R325L)	1
T SS H MX	22	71-1422	Gasket — tachometer drive	1
T SS H MX	23	70-9384	Plate — tachometer drive cover	1
T SS H MX	24	40-0242†	Screw — tachometer drive (2B.A. $\times 27.64$ " countersunk)	2
T SS H MX	25	71-1620	Push rod — inlet and exhaust	2
T SS H MX	26	71-2513	Tappet — inlet and exhaust	2
T SS H	27	71-1680	Camshaft complete	1
MX	27	71-2567	Camshaft complete	1
T SS H MX	28	41-0560	Key — crankshaft pinion	1
T SS H MX	29	21-2039	Nut — crankshaft, right ($\frac{3}{8}$ " UN.F.)	1
T SS H MX	30	40-0455	Lockwasher — crankshaft nut	1
T SS H MX	31	41-0569	Pinion — crankshaft	1
T SS H MX	32	41-0567	Oil pump drive — crankshaft	1
T SS H MX	33	41-0565	Distance piece — oil pump drive	1

*See page 5 for tachometer kit complete.

†Special material: 25—EN8R.

BOLT, TACH DRIVE FIXING
 ② 60-3921
 WASHER FOR ABOVE
 ② 60-2426

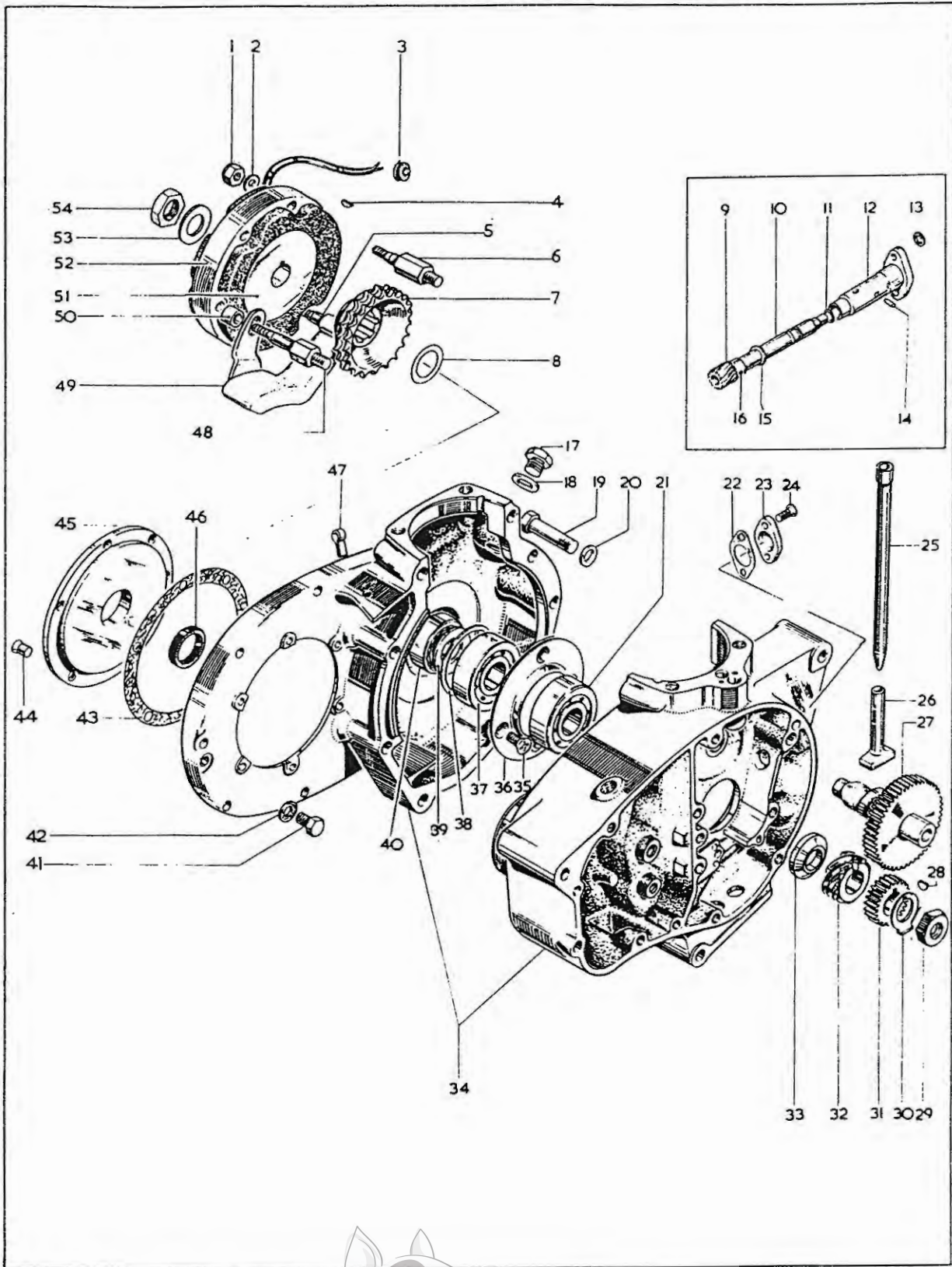


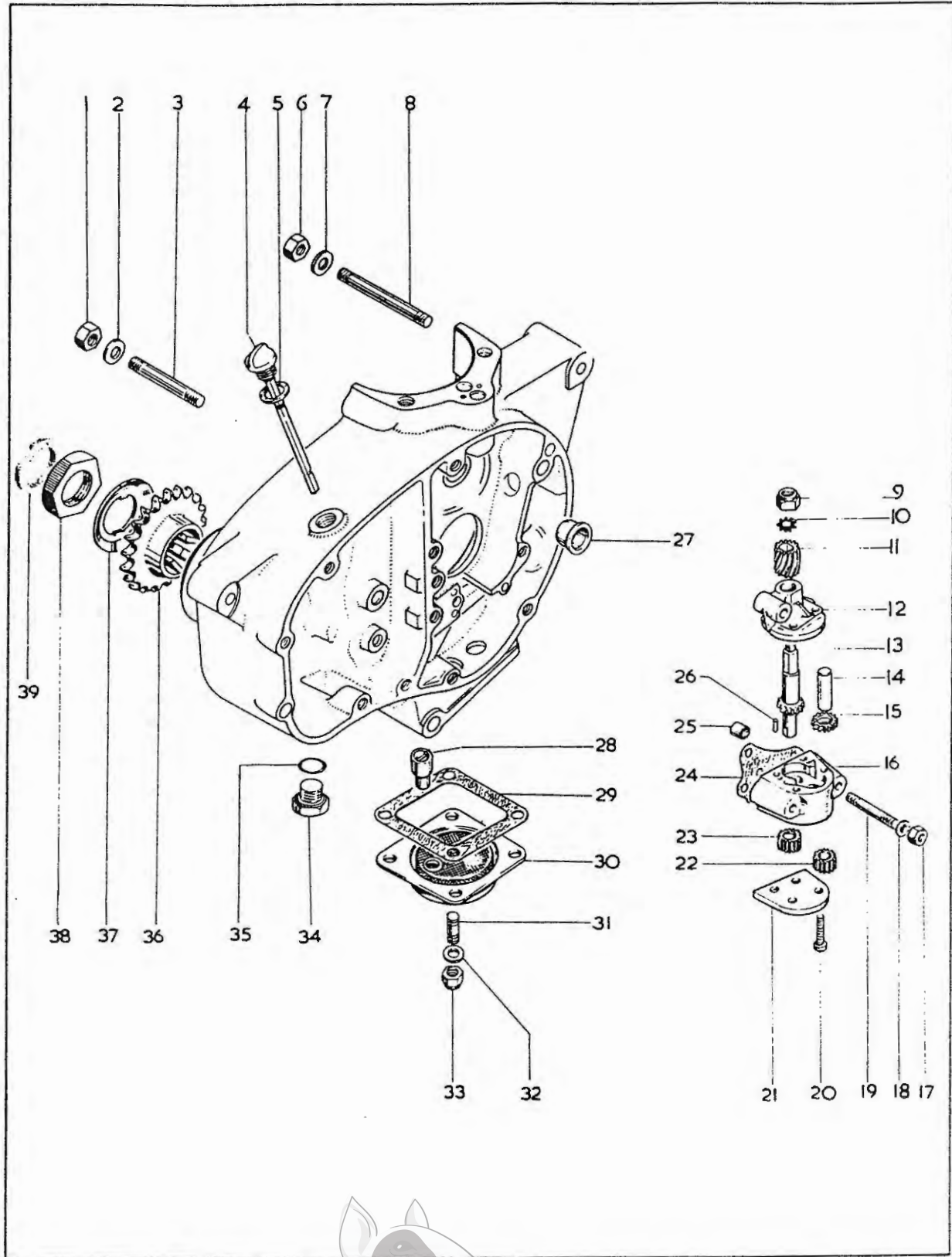
Plate 3—continued

CRANKCASE

Model	Key No.	Spares No.	Description	Per Set
T SS H MX	34	71-1870	Crankcase complete with fixed fittings	1
T SS H MX	35	14-6502	Screw — bearing retaining ring ($\frac{1}{4}$ " UN.C. \times $\frac{1}{2}$ ")	4
T SS H MX	36	71-2649	Retaining ring — left, crankcase bearing	1
T SS H MX	37	24-0724	Bearing — roller, left, inner (Hoffmann R325L)	1
T SS H MX	38	71-2650	Distance piece — left, crankcase bearings, outer races	1
T SS H MX	39	71-1631	Distance piece — left, crankcase bearings, inner races	1
T SS H MX	40	65-5883	Bearing — ball, left, outer (Hoffmann LS9)	1
T SS H MX	41	14-6102	Bolt — chain oiler blanking ($\frac{1}{4}$ " UN.C. \times $\frac{5}{8}$ ")	1
T SS H MX	42	66-7518	Fibre washer — chain oiler blanking	1
T SS H MX	43	71-1419	Gasket — primary chaincase backplate	1
T SS H MX	44	40-0246	Screw — primary chaincase backplate (2B.A. \times $\frac{5}{16}$ ")	6
T SS H MX	45	70-3789	Backplate — primary chaincase	1
T SS H MX	46	40-0243	Oil seal — primary chaincase backplate	1
MX	47	40-9190	Clip — alternator lead	1
T SS H MX	48	21-1894	Stud — stator fixing, rear	1
T SS H MX	49	41-0143	Primary chain tensioner	1
T SS H	50	41-0146	Distance piece — chain tensioner	1
MX	50	71-2923	Distance piece — chain tensioner	1
T SS H MX	51	19-8019	Alternator rotor (Lucas 54213901)	1
T SS H	52	19-1262	Alternator stator (Lucas 47205)	1
MX	52	19-1259	Alternator stator (Lucas 47226)	1
T SS H MX	53	71-1731	Lockwasher — rotor fixing	1
T SS H MX	54	21-2066	Nut — rotor fixing ($\frac{5}{8}$ " UN.F.)	1

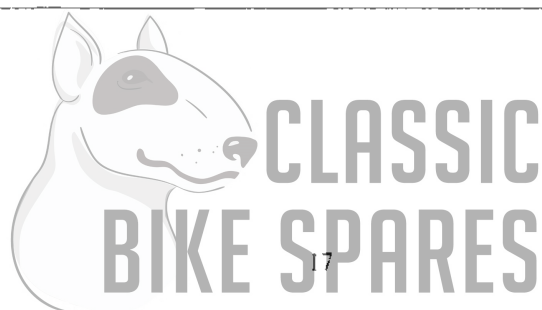


Plate 4



OIL PUMP — SUMP — GEARBOX SPROCKET

Model	Key No.	Spares No.	Description	Per Set
T SS H MX	1	14-0302	Nut — crankcase stud ($\frac{5}{16}$ " UN.F.)	2
T SS H MX	2	02-0923	Washer — crankcase stud ($\cdot 317" \times \cdot 625" \times \cdot 064"$)	2
T SS H MX	3	21-1890	Stud — crankcase, rear ($\frac{5}{16}$ " UN.F./UN.C. $\times 2\frac{1}{8}"$)	2
T SS H MX	4	40-1033	Gearbox dipstick	1
T SS H MX	5	57-0948	Washer — gearbox dipstick	1
T SS H MX	6	14-0302	Nut — crankcase stud ($\frac{5}{16}$ " UN.F.)	2
T SS H MX	7	02-0923	Washer — crankcase stud ($\cdot 317" \times \cdot 625" \times \cdot 064"$)	2
T SS H MX	8	21-2042	Stud — crankcase, top	2
T SS H MX	9	14-1301	Nut — oil pump drive gear fixing	1
T SS H MX	10	29-0541	Washer — oil pump drive gear fixing	1
T SS H MX	11	41-0603	Driving gear — oil pump	1
T SS H MX	12	71-2119	Spindle housing — oil pump	1
T SS H MX	13	71-2123	Driving spindle — oil pump	1
T SS H MX	14	71-1147	Spindle — oil pump driven gears	1
T SS H MX	15	71-2121	Gear — oil pump feed, driven	1
T SS H MX	16	71-3001	Oil pump complete	1
T SS H MX	17	14-1901	Nut — oil pump fixing ($\frac{1}{4}$ " UN.F.)	3
T SS H MX	18	68-0938	Washer — oil pump fixing ($\cdot 266" \times \cdot 625" \times \cdot 056"$)	3
T SS H MX	19	21-0597	Stud — oil pump fixing ($\frac{1}{4}$ " UN.F./UN.C. $\times 2\frac{1}{8}"$)	2
T SS H MX	19	14-1606	Stud — oil pump fixing ($\frac{1}{4}$ " UN.F./UN.C. $\times 1\frac{3}{4}"$)	1
T SS H MX	20	41-0609	Screw — oil pump cover plate ($\frac{3}{16}$ " B.S.C. $\times 1\frac{5}{16}"$)	4
T SS H MX	21	67-1391	Cover plate — oil pump	1
T SS H MX	22	71-2124	Scavenge gear — oil pump, driven	1
T SS H MX	23	71-2122	Scavenge gear — oil pump, driving	1
T SS H MX	24	71-2115	Gasket — oil pump	1
T SS H MX	25	41-0706	Dowel — oil pump locating	2
T SS H MX	26	71-1148	Dowel — oil pump body locating	2
T SS H MX	27	70-8315	Bush — camshaft, at crankcase	1
T SS H MX	28	71-2771	Scavenge valve complete	1
T SS H MX	29	71-1424	Gasket — scavenge cover	1
T SS H MX	30	71-2933	Sump filter	1
T SS H MX	31	14-1401	Stud — scavenge cover fixing ($\frac{1}{4}$ " UN.F./UN.C. $\times 1"$)	4
T SS H MX	32	02-0525	Washer — scavenge cover fixing ($\cdot 255" \times \cdot 500" \times \cdot 048"$)	4
T SS H MX	33	14-1901	Nut — scavenge cover fixing ($\frac{1}{4}$ " UN.F.)	4
T SS H MX	34	21-2111	Drain plug — gearbox	1
T SS H MX	35	60-3530	"O" ring — drain plug	1
T	36	41-3094	Gearbox sprocket — 15 teeth	1
SS H	36	41-3092	Gearbox sprocket — 17 teeth	1
MX	36	57-4306	Gearbox sprocket — 14 teeth	1
T SS H MX	37	40-3121	Lockwasher — gearbox sprocket	1
T SS H MX	38	40-3051	Nut — gearbox sprocket ($1\frac{3}{16}" \times 20$ t.p.i., w.f.)	1
T SS H MX	39	90-6074	Felt washer — gearbox sprocket	1



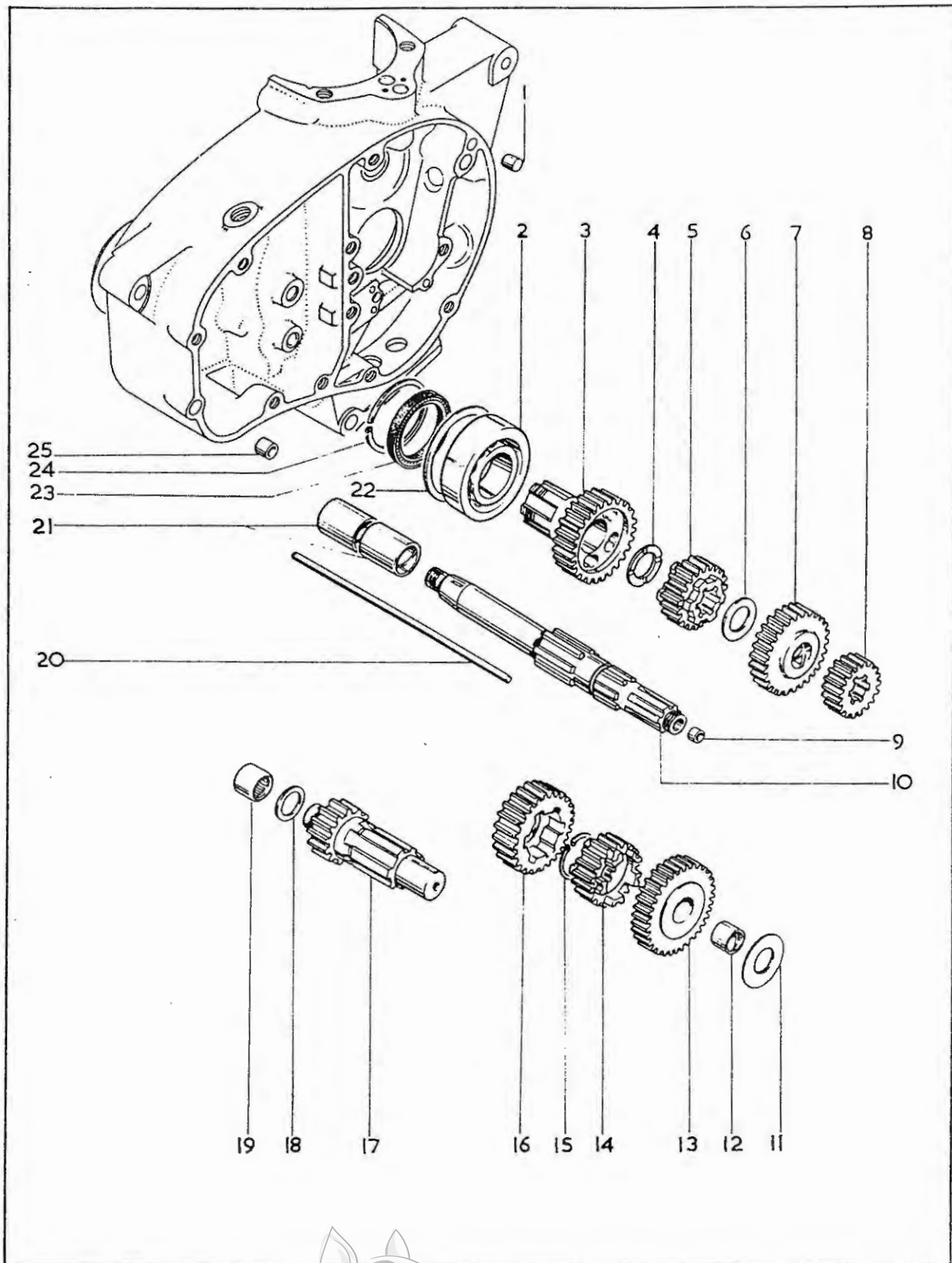


Plate 5

GEAR CLUSTER

Model	Key No.	Spares No.	Description	Per Set
T SS H MX	1	40-0394	Dowel — inner cover locating, front	2
T SS H MX	2	29-3857	Bearing — Hoffmann 130	1
T SS H MX	2	29-3857	Bearing — gearbox mainshaft, left (Hoffmann 130)	1
T SS H MX	3	57-3872	Gear — mainshaft top (22 teeth)	1
T SS H MX	4	40-3020	Thrust washer (.093—.094")	as reqd.
T SS H MX	4	40-3126	Thrust washer (.098—.099")	as reqd.
T SS H MX	4	40-3127	Thrust washer (.103—.104")	as reqd.
T SS H MX	5	57-3876	Gear — mainshaft second (21 teeth)	1
T SS H MX	6	40-3019	Thrust washer (.075—.076")	as reqd.
T SS H MX	6	40-3119	Thrust washer (.070—.071")	as reqd.
T SS H MX	6	40-3120	Thrust washer (.080—.081")	as reqd.
T SS H MX	7	41-3063	Gear — mainshaft third (24 teeth)	1
T SS H	8	41-3089	Gear — mainshaft first (16 teeth)	1
MX	8	41-3065	Gear — mainshaft first (18 teeth)	1
T SS H MX	9	40-3007	Bush — mainshaft, clutch pushrod	1
T SS H MX	10	57-4344	Mainshaft complete	1
T SS H MX	11	40-3258	Shim — layshaft first gear	1
T SS H MX	12	40-3262	Bush — layshaft first gear	1
T SS H	13	57-3874	Gear — layshaft first (27 teeth)	1
MX	13	41-3073	Gear — layshaft first (25 teeth)	1
T SS H MX	14	57-3877	Gear — layshaft third (19 teeth)	1
T SS H MX	15	41-3078	Circlip — layshaft second gear	1
T SS H MX	16	41-3070	Gear — layshaft second (22 teeth)	1
T SS H MX	17	41-3068	Layshaft with top gear (14 teeth)	1
T SS H MX	18	41-3074	Thrust washer (.083—.085")	as reqd.
T SS H MX	18	41-3072	Thrust washer (.078—.080")	as reqd.
T SS H MX	19	40-3292	Bearing — needle roller, layshaft (Torrington B108)	1
T SS H MX	20	40-3265	Clutch push rod	1
T SS H MX	21	41-3045	Bush — mainshaft top gear	2
T SS H MX	22	71-1271	Shield — left gearbox bearing	1
T SS H MX	23	41-3054	Oil seal — gearbox	1
T SS H MX	24	70-6026	Circlip — gearbox oil seal	1
T SS H MX	25	71-2547	Dowel — inner cover locating, rear	1



Plate 6

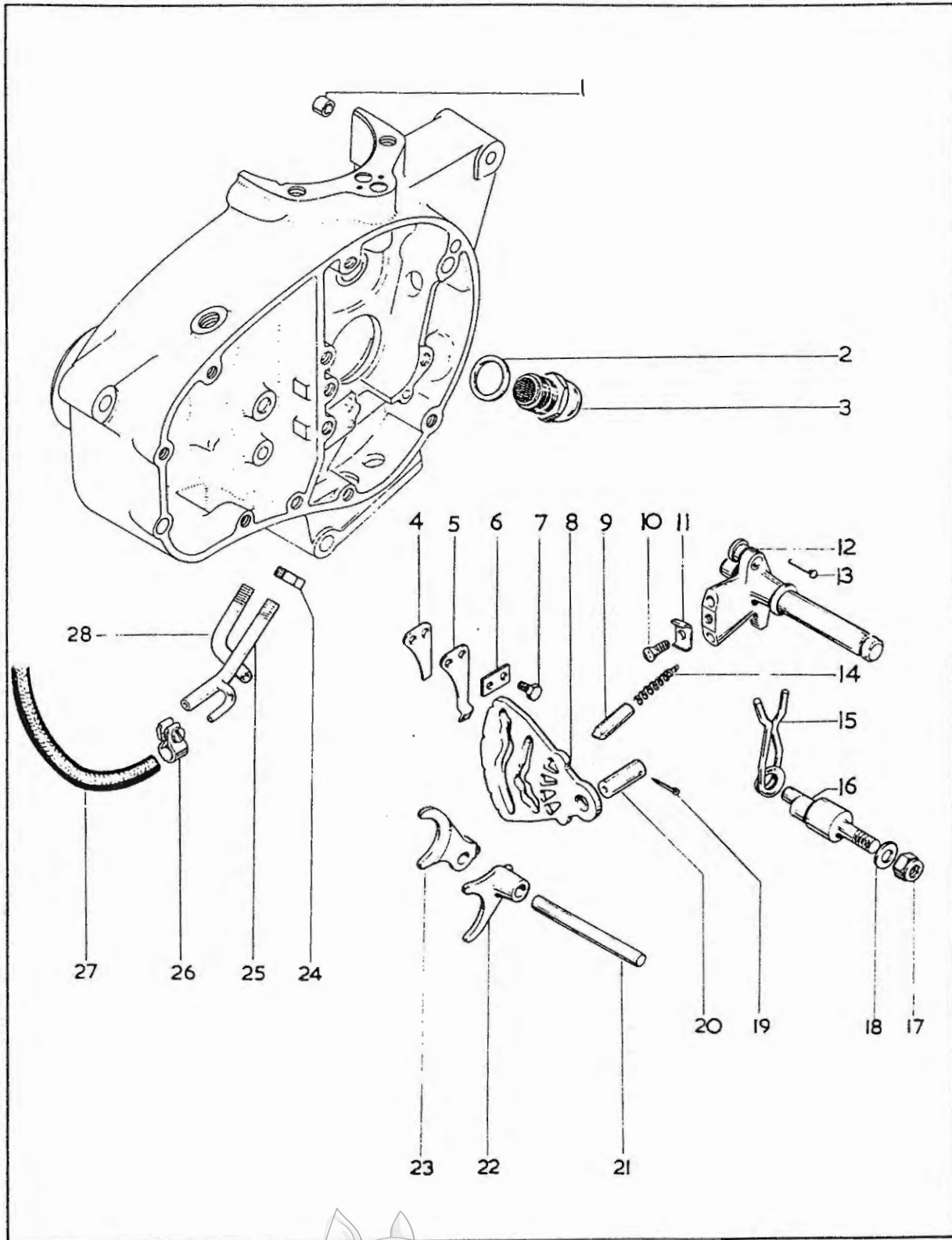


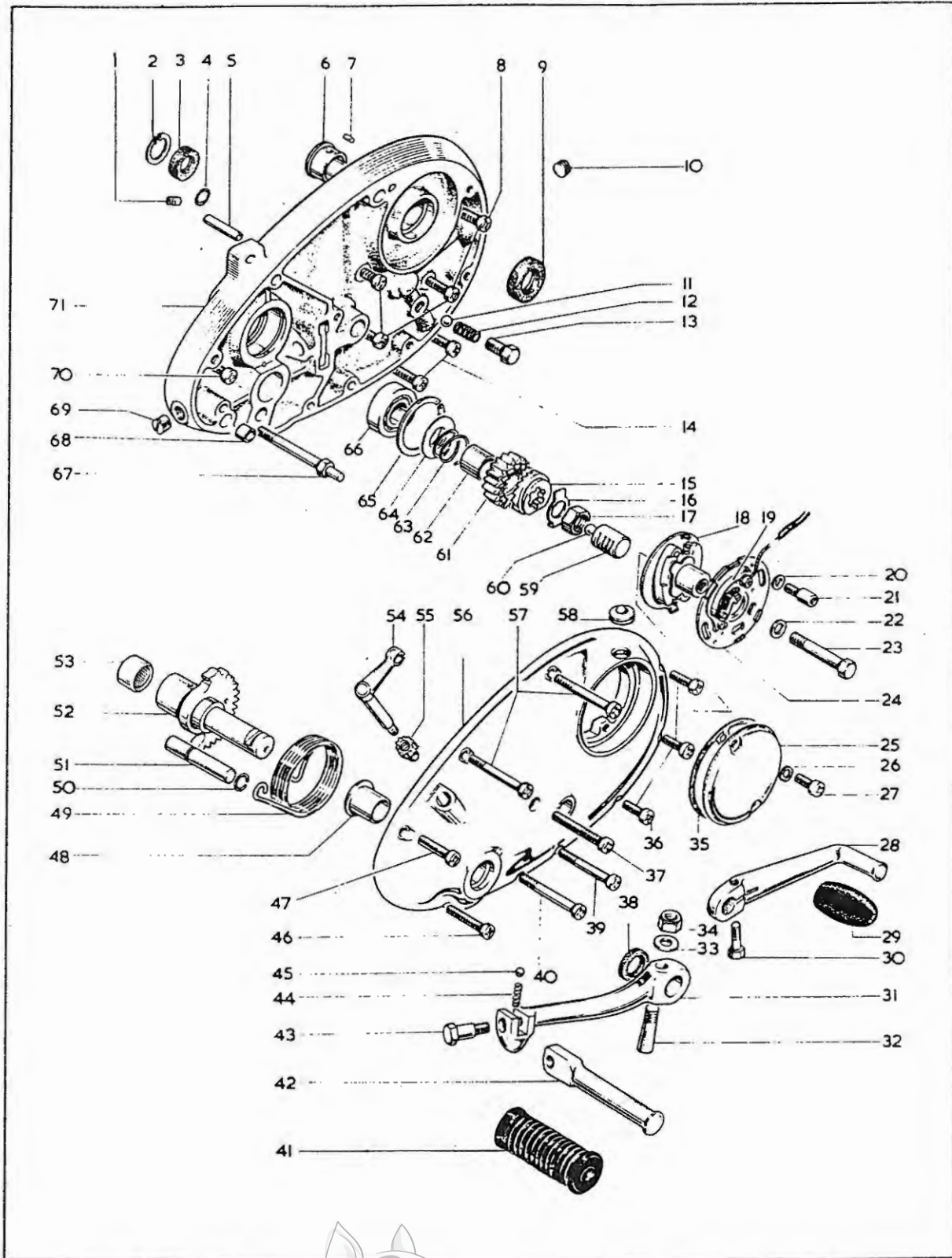
Plate 6

GEARCHANGE MECHANISM

Model	Key No.	Spares No.	Description	Per Set
T SS H MX	1	67-1236	Dowel — crankcase locating	1
T SS H MX	2	70-1670	Fibre washer — pressure release valve	1
T SS H MX	3	71-2370	Pressure release valve complete	1
T SS H MX	4	40-3043	Spring plate	1
T SS H MX	5	40-3042	Spring — camplate locating	1
T SS H MX	6	40-3045	Lockplate — camplate spring	1
T SS H MX	7	40-3044	Screw — camplate spring (2B.A. $\times \frac{3}{8}$ ")	2
T SS H MX	8	57-3850	Camplate — gearchange	1
T SS H MX	9	40-3193	Plunger — gearchange quadrant	2
T SS H MX	10	40-3323	Screw — plunger retaining plate (5B.A. $\times \frac{5}{16}$ ")	1
T SS H MX	11	40-3194	Retaining plate — quadrant plungers	1
T SS H MX	12	40-3321	Gearchange quadrant complete	1
T SS H MX	13	40-3059	Rivet — plunger spring	2
T SS H MX	14	40-3155	Plunger spring	2
T SS H MX	15	40-3061	Gearchange return spring	1
T SS H MX	16	57-4454	Anchor bolt — return spring	1
T SS H MX	17	14-1302	Locknut — footchange return spring anchor ($\frac{5}{16}$ " UN.F.)	1
T SS H MX	18	60-2330	Washer — return spring anchor	1
T SS H MX	19	60-2724	Split pin — camplate spindle locating ($\frac{3}{32}$ " \times 1")	1
T SS H MX	20	40-3291	Spindle — camplate	1
T SS H MX	21	40-3032	Spindle — selector forks	1
T SS H MX	22	40-3033	Selector fork — layshaft	1
T SS H MX	23	57-3854	Selector fork — mainshaft	1
T SS H MX	24	21-2117	Nut — oil feed and return pipes	2
T SS H MX	25	71-2656	Oil return pipe	1
T SS H MX	26	62-0263	Clamp — rocker feed pipe	1
T SS H MX	27	40-1037	Rocker oil feed pipe	1
T SS H MX	28	71-2658	Oil feed pipe	1



Plate 7



KICKSTART — GEARCHANGE

Model	Key No.	Spares No.	Description	Per Set
T SS H MX	1	53-3049	Plug — mainshaft oil feed	1
T SS H MX	2	40-0862	Circlip — crankshaft oil seal	1
T SS H MX	3	40-0977	Oil seal — crankshaft	1
T SS H MX	4	68-0289	“O” ring — inner cover	1
T SS H MX	5	75-0257	Breather pipe — inner cover	1
T SS H MX	6	40-0222	Bush — camshaft, at inner cover	1
T SS H MX	7	40-0028	Peg — camshaft bush locating	1
T SS H MX	8	14-6610	Screw — inner cover to crankcase ($\frac{1}{4}$ " UN.C. \times $1\frac{1}{2}$ ")	4
T SS H MX	9	40-0679	Oil seal — camshaft	1
T SS H MX	10	70-9526	Sealing plug	1
T SS H MX	11	60-2364	Ball — non-return valve ($\frac{1}{4}$ ")	1
T SS H MX	12	40-0385	Spring — non-return valve	1
T SS H MX	13	21-2044	Plug — non-return valve	1
T SS H MX	14	14-6606	Screw — inner cover, bottom ($\frac{1}{4}$ " UN.C. \times $\frac{3}{4}$ ")	2
T SS H MX	15	57-4339	Kickstart ratchet	1
T SS H MX	16	57-4343	Lockwasher — kickstart ratchet nut	1
T SS H MX	17	76-0271	Nut — kickstart ratchet	1
T SS H	18	19-1922	Auto-advance unit — 15° range (Lucas 54419653)	1
MX	18	19-1906	Auto-advance unit — 5° range (Lucas 54419652)	1
T SS H MX	19	19-1849	Contact set (Lucas 54419827)	1
T SS H MX	20	40-0682	Washer — contact breaker plate fixing ($\cdot 182$ " \times $\cdot 375$ " \times $\cdot 064$ ")	2
T SS H MX	21	40-0683	Pillar bolt — contact breaker plate fixing	2
T SS H MX	22	68-0331	Washer — auto-advance unit fixing	1
T SS H MX	23	14-0208	Bolt — auto-advance unit fixing ($\frac{1}{4}$ " UN.F. \times $2\frac{1}{4}$ ")	1
T SS H MX	24	19-1852	Contact breaker plate complete (Lucas 54419645)	1
T SS H MX	25	70-8737	Cover — contact breaker complete	1
T SS H MX	26	54-0042	Fibre washer — contact breaker cover	2
T SS H MX	27	70-7354	Screw — contact breaker cover fixing (2 B.A. \times $1\frac{1}{2}$ ")	2
T SS H MX	28	40-3073	Gearchange pedal	1
T SS H MX	29	89-3208	Rubber — gearchange pedal	1
T SS H MX	30	21-5403	Bolt — gearchange pedal ($\frac{1}{4}$ " B.S.C. \times $\frac{3}{4}$ ")	1
T SS H MX	31	57-2764	Kickstart lever complete	1
T SS H MX	31	57-2652	Crank only — kickstart lever	1
T SS H MX	32	57-4357	Cotter — kickstart lever	1
T SS H MX	33	60-2320	Washer — kickstart lever cotter ($\cdot 270$ " \times $\cdot 562$ " \times $\cdot 056$ ")	1
T SS H MX	34	14-1301	Nut — kickstart lever cotter ($\frac{1}{4}$ " UN.F.)	1
T SS H MX	35	71-1423	Gasket — contact breaker cover	1

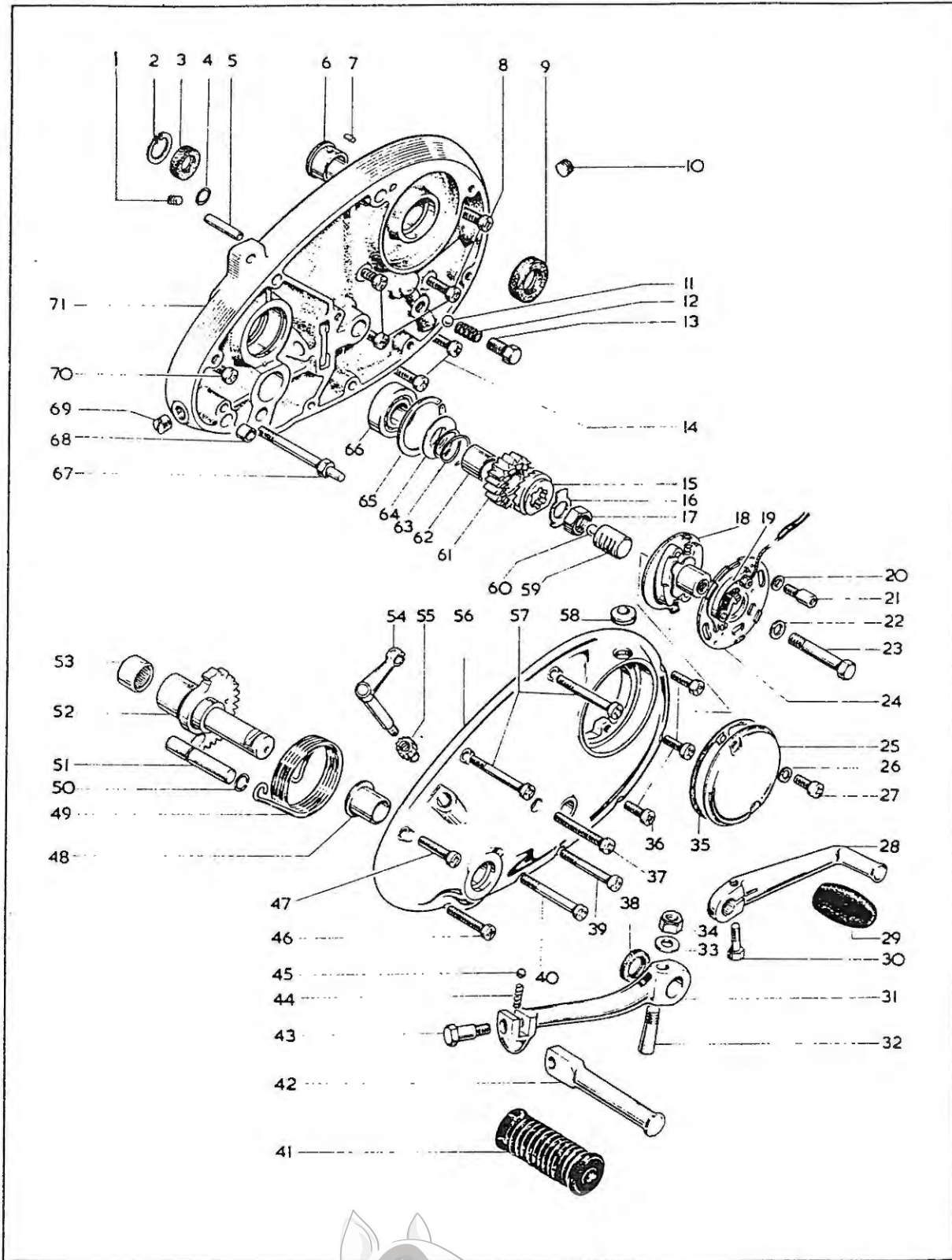
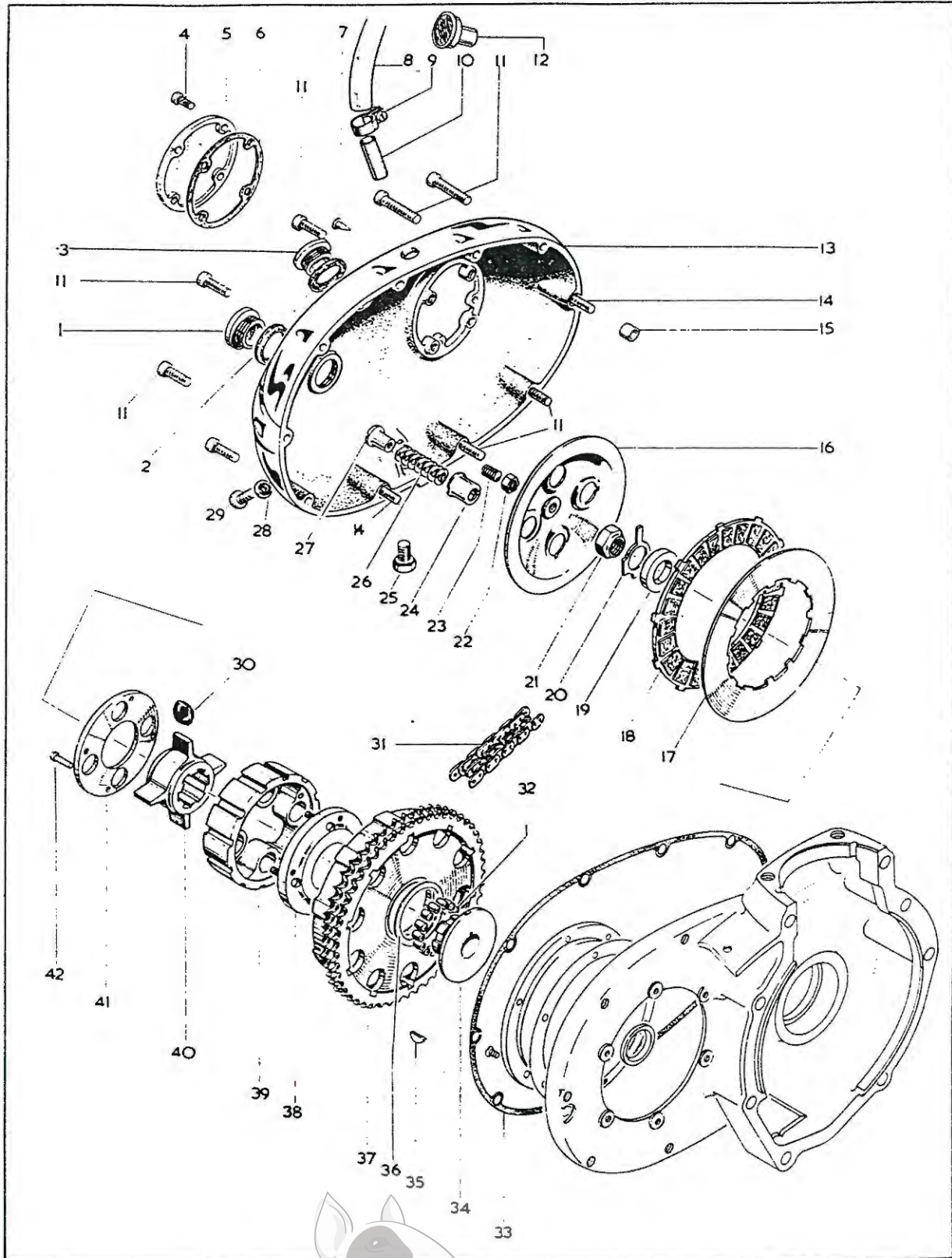


Plate 7—continued

KICKSTART — GEARCHANGE

Model	Key No.	Spares No.	Description	Per Set
T SS H MX	36	40-0236	Screw — outer cover (2B.A. $\times \frac{5}{8}$ ")	3
T SS H MX	37	14-6611	Screw — outer cover ($\frac{1}{4}$ " UN.C. $\times 1\frac{3}{4}$ ")	1
T SS H MX	38	57-2641	Oil seal — kickstart spindle	1
T SS H MX	39	14-6612	Screw — outer cover ($\frac{1}{4}$ " UN.C. $\times 2$ ")	1
T SS H MX	40	14-6614	Screw — outer cover ($\frac{1}{4}$ " UN.C. $\times 2\frac{1}{2}$ ")	1
T SS H MX	41	57-2759	Rubber — kickstart lever pedal	1
T SS H MX	42	57-2646	Folding pedal — kickstart lever	1
T SS H MX	43	40-3084	Bolt — kickstart folding pedal	1
T SS H MX	44	40-3085	Spring — kickstart folding pedal	1
T SS H MX	45	60-2364	Ball — kickstart folding pedal ($\frac{1}{4}$ ")	1
T SS H MX	46	14-6610	Screw — outer cover ($\frac{1}{4}$ " UN.C. $\times 1\frac{1}{2}$ ")	1
T SS H MX	47	14-6606	Screw — outer cover ($\frac{1}{4}$ " UN.C. $\times \frac{3}{4}$ ")	1
T SS H MX	48	57-2642	Bush — kickstart spindle	1
T SS H MX	49	57-4338	Spring — kickstart lever return	1
T SS H MX	50	40-3277	Circlip — kickstart quadrant stop locating	1
T SS H MX	51	57-4342	Stop — kickstart quadrant	1
T SS H MX	52	57-4341	Kickstart spindle and quadrant assembly	1
T SS H MX	53	40-3292	Bearing -- layshaft, kickstart spindle (Torrington B108)	1
T SS H MX	54	57-2750	Clutch lever	1
T SS H MX	55	40-3283	Pinion — clutch operating lever	1
T SS H MX	56	71-2946	Outer timing cover complete	1
T SS H MX	57	14-6612	Screw — outer cover ($\frac{1}{4}$ " UN.C. $\times 2$ ")	2
T SS H MX	58	60-3755	Grommet — contact breaker lead	1
T SS H MX	59	40-3282	Rack — clutch operating	1
T SS H MX	60	60-2363	Ball — clutch push rod ($\frac{3}{32}$ ")	1
T SS H MX	61	57-4336	Kickstart ratchet pinion	1
T SS H MX	62	40-3272	Bush — kickstart ratchet pinion	1
T SS H MX	63	40-3273	Spring — kickstart ratchet	1
T SS H MX	64	57-4452	Washer — kickstart ratchet spring	1
T SS H MX	65	76-0528	Circlip — gearbox mainshaft bearing	1
T SS H MX	66	90-0011	Bearing — gearbox mainshaft, at inner cover (Hoffmann LS7)	1
T SS H MX	67	57-3764	Anchor — kickstart return spring	1
T SS H MX	68	66-3074	Dowel — outer to inner cover	2
T SS H MX	69	21-1899	Screwed plug — inner cover	1
T SS H MX	70	14-6608	Screw — inner cover ($\frac{1}{4}$ " UN.C. $\times 1$ ")	1
T SS H MX	71	71-2652	Inner cover complete	1

Plate 8



CLUTCH — PRIMARY COVER

Model	Key No.	Spares No.	Description	Per Set
T SS H MX		57-4302	Clutch assembly complete	1
T SS H MX	1	57-2166	Inspection plug — primary cover	1
T SS H MX	2	70-8782	Washer — inspection plugs	2
T SS H MX	3	70-9800	Inspection plug — primary cover, vented	1
T SS H MX	4	76-4116	Screw — inspection cover (2B.A. $\times \frac{1}{2}$ ")	4
T SS H MX	5	68-0839	Cover — timing inspection	1
T SS H MX	6	71-1420	Gasket — inspection cover	1
T SS H MX	7	71-1619	Ignition timing pointer	1
T SS H MX	8	83-4122	Breather pipe	1
T SS H MX	9	60-2252	Clip — breather pipe	1
T SS H MX	10	71-2927	Stub — breather outlet	1
T SS H MX	11	14-6610	Screw — primary cover ($\frac{1}{4}$ " UN.C. $\times 1\frac{1}{2}$ ")	8
T SS H MX	12	60-3745	Filter — breather pipe	1
T SS H MX	13	71-2932	Primary cover complete	1
T SS H MX	14	21-2153	Screw — primary cover, at dowel holes ($\frac{1}{4}$ " UN.C. $\times 1-39/64$ ")	2
T SS H MX	15	66-3074	Dowel — primary cover locating	2
T SS H MX	16	57-4019	Pressure plate	1
T SS H MX	17	40-3220	Driven plate	5
T SS H MX	18	40-3233	Driving plate	5
T SS H MX	19	40-3234	Distance piece — clutch retaining nut	1
T SS H MX	20	40-3221	Lockwasher — clutch retaining nut	1
T SS H MX	21	40-3227	Nut — clutch centre retaining ($\frac{1}{2}$ " B.S.C.)	1
T SS H MX	22	14-0401	Nut — clutch push rod adjusting screw ($\frac{1}{4}$ " UN.F.)	1
T SS H MX	23	57-4189	Screw — clutch push rod adjuster	1
T SS H MX	24	57-4121	Cup — pressure plate spring	4
T SS H MX	25	21-1943	Drain plug — primary case	1
T SS H MX	26	41-3091	Spring — pressure plate	4
T SS H MX	27	41-3215	Nut — pressure plate spring adjuster	4
T SS H MX	28	71-1065	Washer — oil level screw	1
T SS H MX	29	14-7804	Screw — oil level	1
T SS H MX	30	41-3212	Rubber — shock absorber	8
T SS H MX	31	19-8683	Primary chain — endless (72 pitches)	1
T SS H MX	32	40-3206	Roller ($\frac{3}{16}$ " $\times \frac{3}{16}$ ")	25
T SS H MX	33	71-1418	Gasket — primary cover	1
T SS H MX	34	57-4200	Clutch hub	1
T SS H MX	35	40-3150	Key — clutch hub	1
T SS H MX	36	57-3931	Thrust washer	1
T SS H MX	37	57-4303	Clutch chainwheel	1
T SS H MX	38	57-4508	Retaining plate — inner	1
T SS H MX	39	57-4511	Clutch centre	1
T SS H MX	40	41-3209	Clutch spider	1
T SS H MX	41	57-4510	Retaining plate — outer	1
T SS H MX	42	57-4507	Rivet — inner and outer retaining plates	4



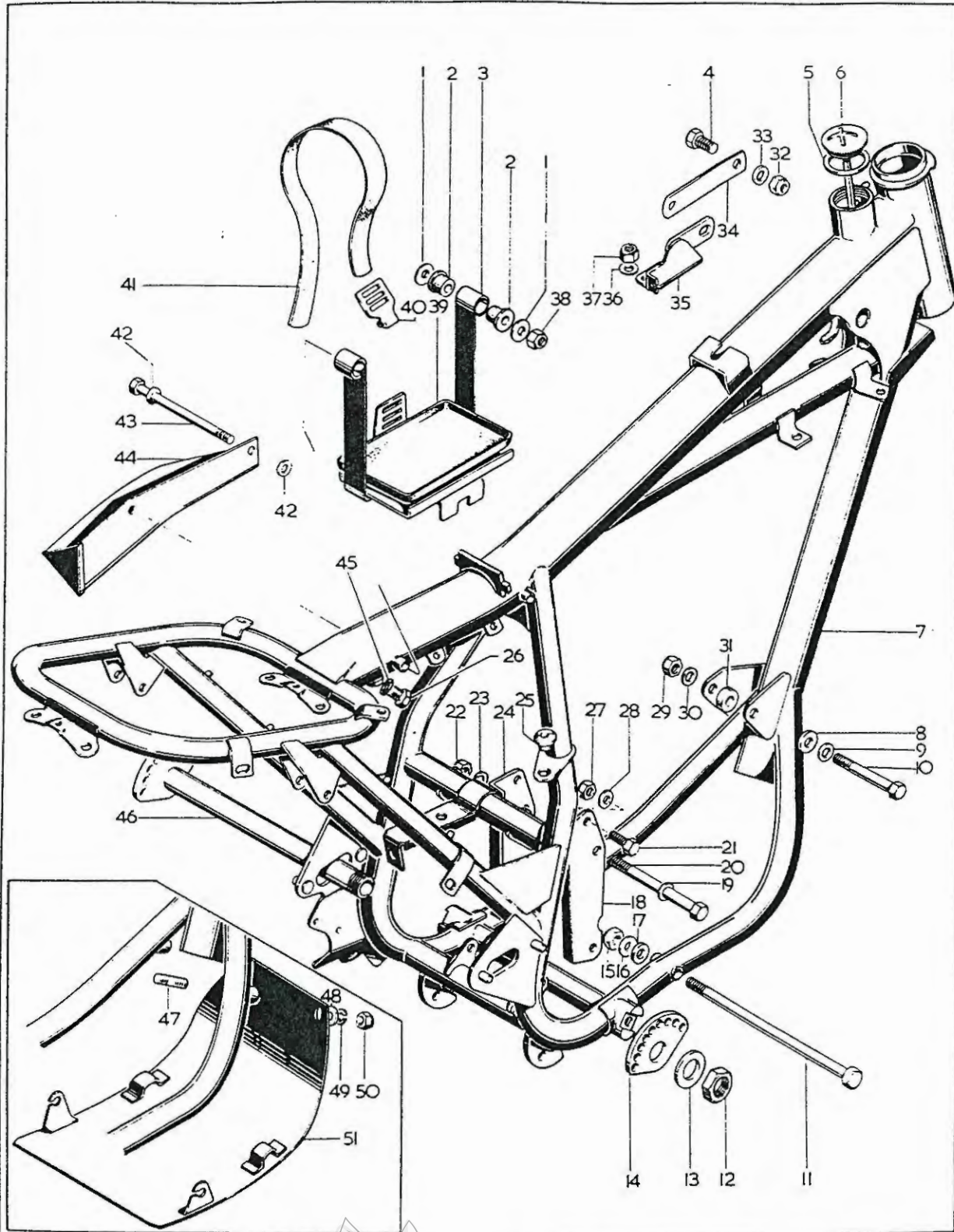
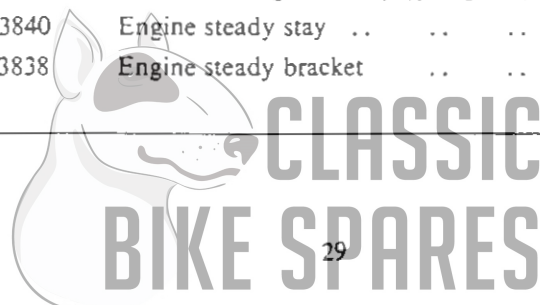


Plate 9

FRAME — BATTERY CARRIER — TOOL TRAY — ENGINE SHIELD

Model	Key No.	Spares No.	Description	Per Set
T SS H	1	76-0101	Washer — battery carrier mounting (.266" × .750" × .080") ..	4
T SS H	2	83-2204	Bush — battery carrier mounting	4
T SS H	3	83-2018	Battery carrier	1
T SS H MX	4	14-0126	Bolt — engine steady stay fixing ($\frac{3}{8}$ " UN.F. × $\frac{3}{4}$ ")	2
T SS H MX	5	70-3751	Washer — oil filler cap	1
T SS H MX	6	83-3046	Oil filler cap and dipstick	1
MX	7	83-2984	Frame complete	1
T SS H	7	83-3996	Frame complete	1
T SS H MX	8	68-4925	Distance piece — exhaust pipe mounting	1
T SS H MX	9	60-2332	Washer — engine mounting, front (.458" × .875" × .048") ..	1
T SS H MX	10	14-0252	Bolt — engine mounting, front ($\frac{7}{16}$ " UN.F. × 3")	1
T SS H MX	11	21-2160	Bolt — engine mounting, bottom ($\frac{3}{8}$ " UN.F. × 8 $\frac{1}{2}$ ")	1
T SS H MX	12	21-0755	Nut — swinging arm pivot ($\frac{1}{8}$ " UN.C.)	1
T SS H MX	13	37-2085	Washer — swinging arm pivot	1
T SS H MX	14	83-3556	Adjuster — swinging arm pivot, right	1
T SS H MX	15	21-2160	Bolt — engine mounting, bottom ($\frac{3}{8}$ " × 8")	2
T SS H MX	16	70-8770	Washer — engine mounting, bottom	2
T SS H MX	17	83-2005	Distance piece — engine mounting, bottom	1
T SS MX	18	83-2015	Engine mounting plate — rear, right	1
H	18	83-3937	Engine plate and silencer bracket	1
T SS H MX	19	70-8770	Washer — engine mounting, rear	2
T SS H MX	20	21-0671	Bolt — engine mounting, rear ($\frac{3}{8}$ " UN.F. × 3 $\frac{1}{8}$ ")	1
T SS H MX	21	14-0114	Bolt — engine plate mounting, rear ($\frac{5}{16}$ " UN.F. × $\frac{3}{4}$ ")	4
T SS H MX	22	14-1303	Locknut — engine mounting, rear ($\frac{3}{8}$ " UN.F.)	1
T SS H MX	23	70-8770	Washer — engine mounting, rear	2
T SS H MX	24	83-2014	Engine mounting plate — rear, left	1
T SS H	25	83-2006	Grommet — battery carrier mounting	1
T SS H MX	26	21-2015	Oil drain plug	1
T SS H MX	27	14-1302	Nut — engine mounting plate bolt, rear ($\frac{5}{16}$ " UN.F.)	4
T SS H MX	28	75-0176	Washer — engine mounting plate bolt, rear (.328" × .531" × .048") ..	8
T SS H MX	29	14-1304	Nut — engine mounting, front ($\frac{7}{16}$ " UN.F.)	1
T SS H MX	30	60-2332	Washer — engine mounting, front (.458" × .875" × .048")	1
T SS H MX	31	83-3998	Distance piece — engine mounting, front	1
T SS H MX	32	14-1303	Nut — engine steady ($\frac{3}{8}$ " UN.F.)	2
T SS H MX	33	60-2331	Washer — engine steady ($\frac{3}{8}$ " × $\frac{3}{4}$ " × 5/64")	2
T SS H MX	34	83-3840	Engine steady stay	1
T SS H MX	35	83-3838	Engine steady bracket	1



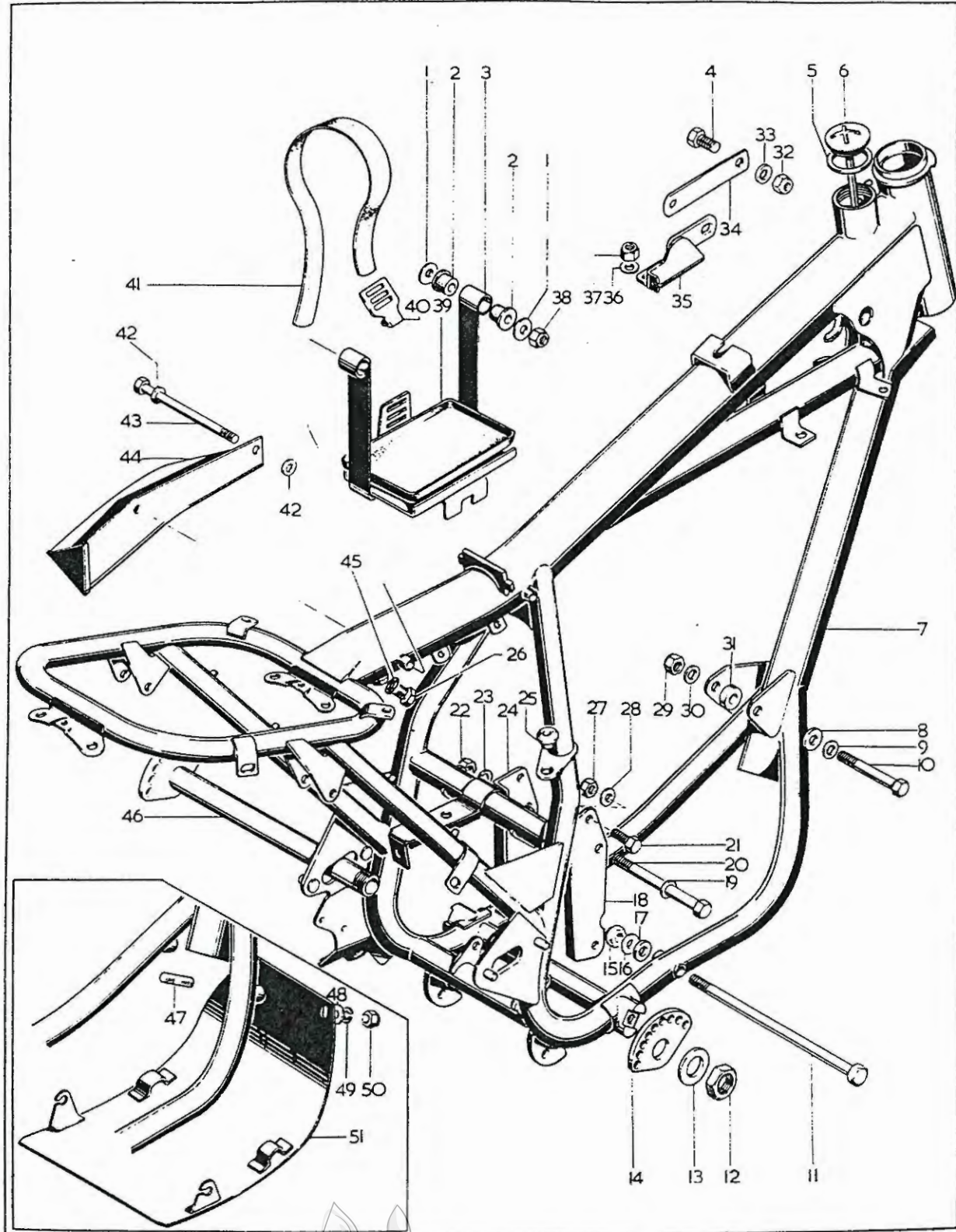


Plate 9—continued

FRAME — BATTERY CARRIER — TOOL TRAY — ENGINE SHIELD

Model	Key No.	Spares No.	Description	Per Set
T SS H MX	36	60-2330	Washer — engine steady fixing (.333" × .625" × .040")	2
T SS H MX	37	14-1302	Nut — engine steady fixing ($\frac{1}{16}$ " UN.F.)	2
T SS H	38	14-1301	Nut — battery carrier mounting ($\frac{1}{4}$ " UN.F.)	2
T SS H	39	68-4597	Battery tray	1
T SS H	40	82-9004	Hook — battery strap	1
T SS H	41	68-4577	Battery strap	1
T SS H	42	60-2347	Washer — tool tray mounting (.270" × .625" × .040")	4
T SS H	43	21-2060	Bolt — tool tray and battery carrier mounting ($\frac{1}{4}$ " UN.F. × 4 $\frac{3}{4}$ ") ..	2
T SS H	44	83-2671	Tool tray	1
T SS H MX	45	54-8006	Washer — drain plug	1
T SS H MX	46	83-3554	Spindle assembly — swinging arm	1
T SS H	47	21-2137	Stud — engine shield fixing ($\frac{1}{4}$ " UN.F. × 57/64")	2
T SS H	48	60-2329	Washer — engine shield fixing (.270" × .562" × .036")	2
T SS H	49	60-2427	Spring washer — engine shield fixing (.281" × .465" × .092") ..	2
T SS H	50	14-1301	Nut — engine shield fixing ($\frac{1}{4}$ " UN.F.)	2
T SS H	51	83-2228	Engine shield	1

For colour finish codes refer to page 3



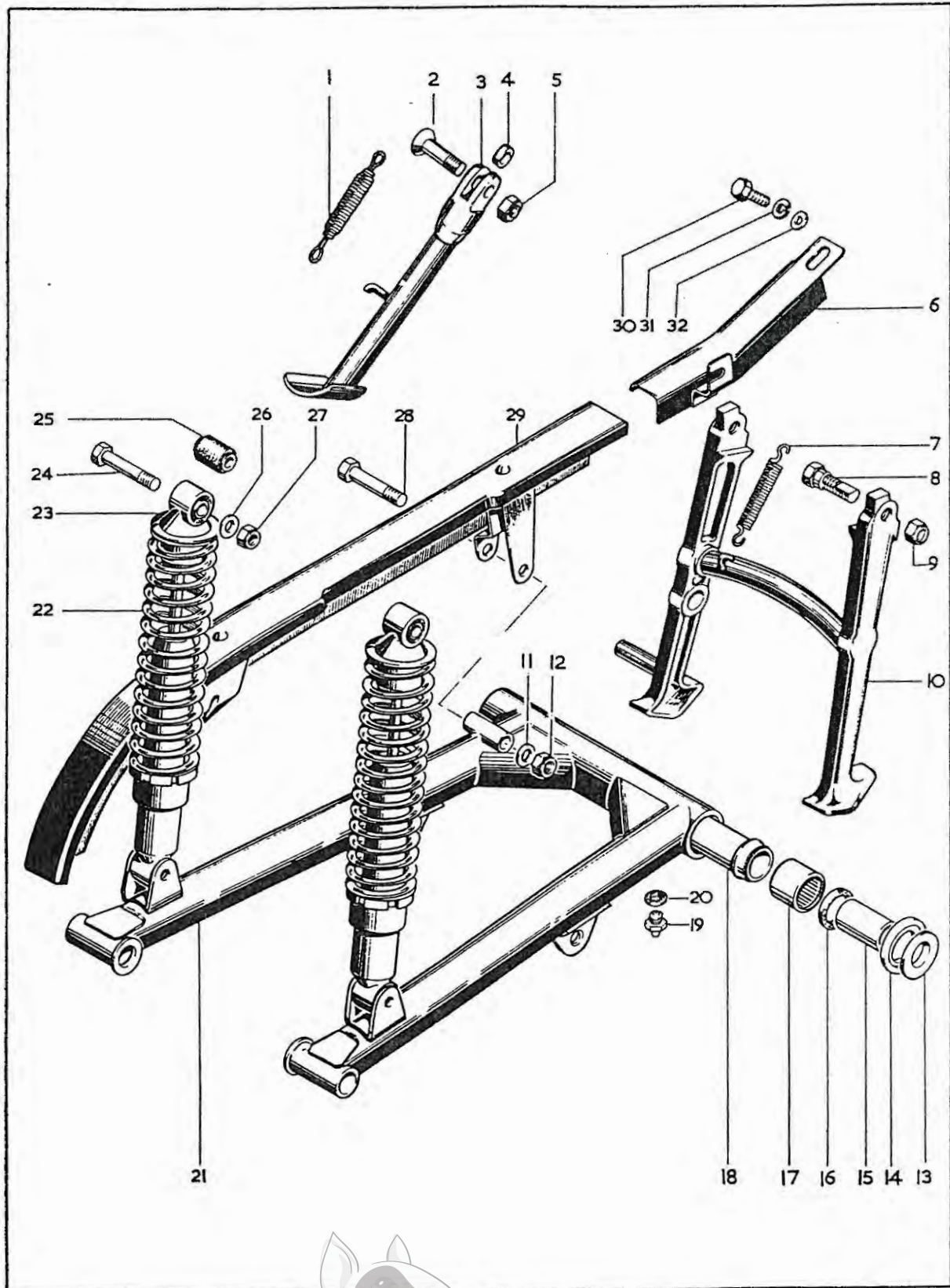


Plate 10

SWINGING ARM — REAR SUSPENSION — CHAIN GUARD

Model	Key No.	Spares No.	Description	Per Set
T SS H	1	68-4708	Spring — prop stand	1
T SS H	2	21-2105	Screw — prop stand	1
T SS H	3	83-4278	Prop stand	1
T SS H	4	83-3165	Distance piece — prop stand mounting	1
T SS H	5	14-1303	Locknut — prop stand screw ($\frac{3}{8}$ " UN.F.)	1
T SS H	6	83-2674	Chainguard extension	1
H	7	83-3793	Spring — centre stand	1
H	8	21-2077	Bolt — centre stand fixing	2
H	9	14-1304	Locknut — centre stand fixing ($\frac{7}{16}$ " UN.F.)	2
H	10	83-3170	Centre stand	1
T SS H	11	60-2339	Washer — chainguard to swinging arm ($\cdot 333$ " \times $\cdot 750$ " \times $\cdot 072$ ")	1
T SS H	12	14-1302	Nut — chainguard to swinging arm ($\frac{5}{16}$ " UN.F.)	1
T SS H MX	13	83-2233	Thrust washer — swinging arm	2
T SS H MX	14	83-3014	Seal — thrust washer	2
T SS H MX	15	83-2012	Sleeve — inner	2
T SS H MX	16	83-2244	Oil seal — swinging arm	2
T SS H MX	17	83-2245	Needle roller bearing — swinging arm (Torrington B1616)	2
T SS H MX	18	83-1969	Distance tube — swinging arm bearing	1
T SS H MX	19	60-1841	Grease nipple — swinging arm	2
T SS H MX	20	24-1088	Fibre washer — grease nipple	2
T SS H MX	21	83-2212	Swinging arm complete	1
T SS H	22	19-7458	Suspension unit spring (Girling 64543708)	2
MX	22	19-7460	Suspension unit spring (Girling 64543626)	2
T SS H	23	19-7474	Suspension unit complete (Girling 64052453)	2
MX	23	19-7456	Suspension unit complete (Girling 64052487)	2
T SS H MX	24	14-0234	Bolt — suspension unit fixing, top and bottom ($\frac{3}{8}$ " UN.F. \times $1\frac{1}{4}$ ")	4
T SS H MX	25	19-5305	Bush — suspension unit (Girling 64533645)	4
T SS H MX	26	60-2322	Washer — suspension unit fixing, top and bottom ($\cdot 395$ " \times $\cdot 750$ " \times $\cdot 072$ ")	4
T SS H MX	27	14-1303	Nut — suspension unit fixing, top and bottom ($\frac{3}{4}$ " UN.F.)	4
T SS H	28	14-0221	Bolt — chainguard to swinging arm ($\frac{5}{16}$ " UN.F. \times 2 ")	1
T SS H	29	83-2224	Chainguard	1
T SS H	30	14-6101	Screw — chainguard extension fixing ($\frac{1}{4}$ " UN.C. \times $\frac{1}{2}$ ")	1
T SS H	31	60-2417	Spring washer — chainguard extension fixing	1
T SS H	32	60-2329	Washer — chainguard extension fixing ($\cdot 270$ " \times $\cdot 562$ " \times $\cdot 036$ ")	1

For colour finish code refer to page 3



Plate 11

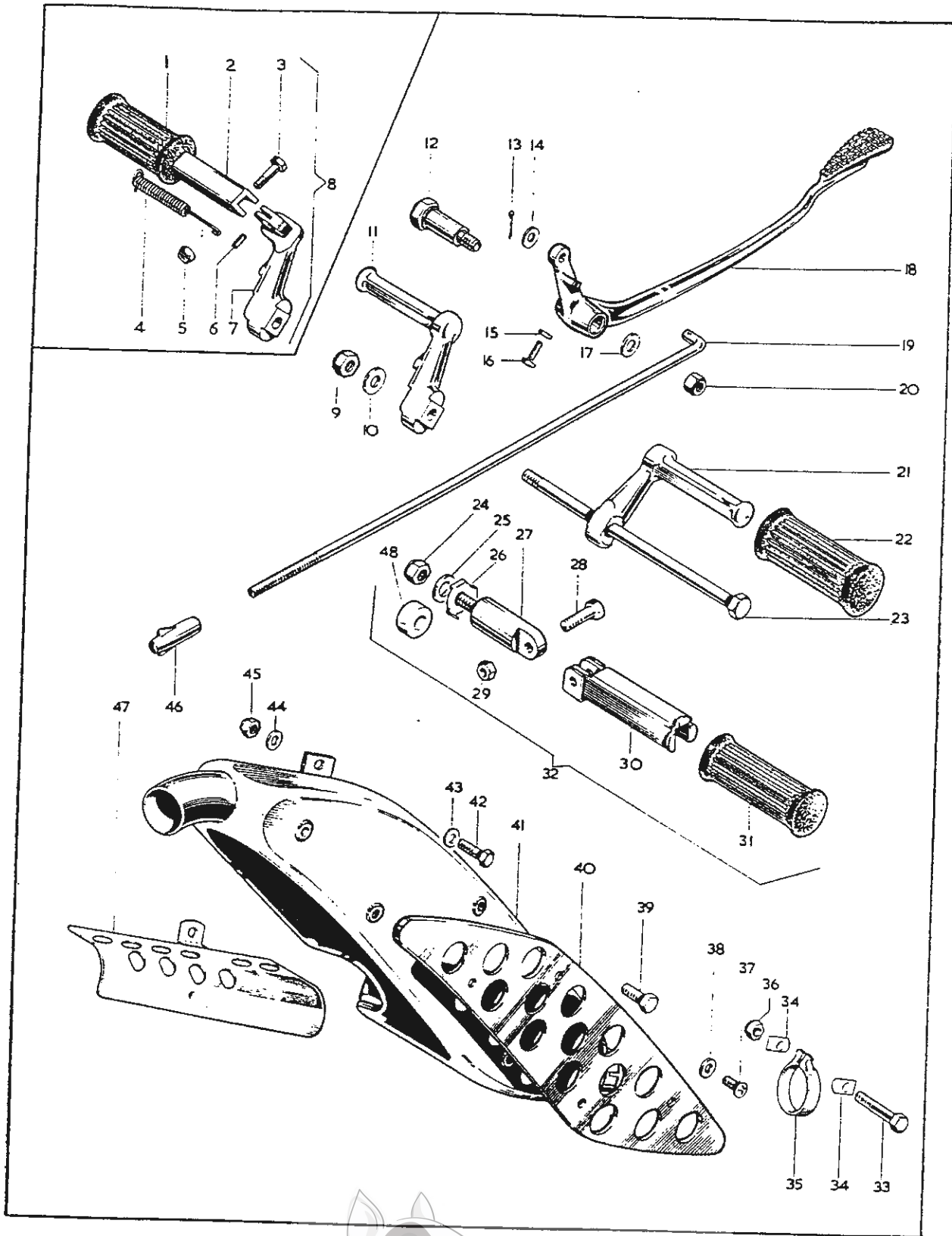


Plate 11

REAR BRAKE CONTROL — FOOTREST — SILENCER

Model	Key No.	Spares No.	Description	Per Set
T	MX	1	42-4925 Rubber -- folding footrest	2
T	MX	2	83-3092 Folding footrest	2
T	MX	3	14-0216 Bolt — folding footrest pivot ($\frac{5}{16}$ " UN.F. \times $1\frac{1}{8}$ ")	2
T	MX	4	83-3095 Spring — folding footrest return	2
T	MX	5	14-1302 Nut — folding footrest pivot ($\frac{5}{16}$ " UN.F.)	2
T	MX	6	83-3094 Peg -- return spring anchor	2
T	MX	7	83-2218 Bracket — folding footrest, left	1
T	MX	7	83-2220 Bracket — folding footrest, right	1
T	MX	8	83-2781 Folding footrest complete — left	1
T	MX	8	83-3013 Folding footrest complete — right	1
T SS H MX	9	14-1303 Nut — footrest bolt ($\frac{3}{8}$ " UN.F.)	1	
T SS H MX	10	02-2138 Washer — footrest bolt ($\cdot 380$ " \times $\cdot 750$ " \times $\cdot 064$ ")	1	
SS H	11	83-3015 Footrest — left	1	
T SS H MX	12	21-2045 Pivot -- rear brake pedal	1	
T SS H MX	13	60-2683 Split pin — brake rod ($\frac{1}{16}$ " \times $\frac{3}{8}$ ")	1	
T SS H MX	14	83-4277 Washer — brake rod ($\cdot 256$ " \times $\cdot 500$ " \times $\cdot 040$ ")	1	
T SS H MX	15	14-1301 Locknut — brake pedal adjuster ($\frac{1}{4}$ " UN.F.)	1	
T SS H MX	16	14-0103 Screw — brake pedal adjuster ($\frac{1}{4}$ " UN.F. \times $\frac{3}{4}$ ")	1	
T SS H MX	17	02-2138 Washer — brake pedal pivot ($\cdot 380$ " \times $\cdot 750$ " \times $\cdot 064$ ")	1	
T SS H MX	18	83-2040 Brake pedal	1	
T SS H MX	19	83-2616 Brake rod	1	
T SS H MX	20	14-1303 Locknut — brake pedal pivot ($\frac{3}{8}$ " UN.F.)	1	
SS H	21	83-3017 Footrest — right	1	
SS H	22	40-4850 Footrest rubber	2	
T SS H MX	23	21-2094 Footrest bolt	1	
T SS H	24	14-1303 Nut — rear footrest anchor bolt ($\frac{3}{8}$ " UN.F.)	2	
T SS H	25	40-0157 Washer — rear footrest anchor bolt ($\cdot 391$ " \times $\cdot 781$ " \times $\cdot 031$ ")	2	
T SS H	26	83-3638 Lockwasher — rear footrest, right	1	
T SS H	27	83-4133 Anchor bolt — rear footrest	2	
T SS H	28	14-0216 Bolt — rear footrest pivot ($\frac{5}{16}$ " UN.F. \times $1\frac{1}{8}$ ")	2	
T SS H	29	14-1302 Locknut — rear footrest pivot ($\frac{5}{16}$ " UN.F.)	2	
T SS H	30	68-4835 Rear footrest	2	
T SS H	31	29-7583 Rubber — rear footrest	2	
T SS H	32	83-3032 Rear footrest complete — left and right	2	
T SS H MX	33	14-0218 Bolt — silencer clamp	1	
T SS MX	34	71-2894 "D" washer — clamp bolt	2	
H	34	75-2519 "D" washer — clamp bolt	2	



Plate 11—continued

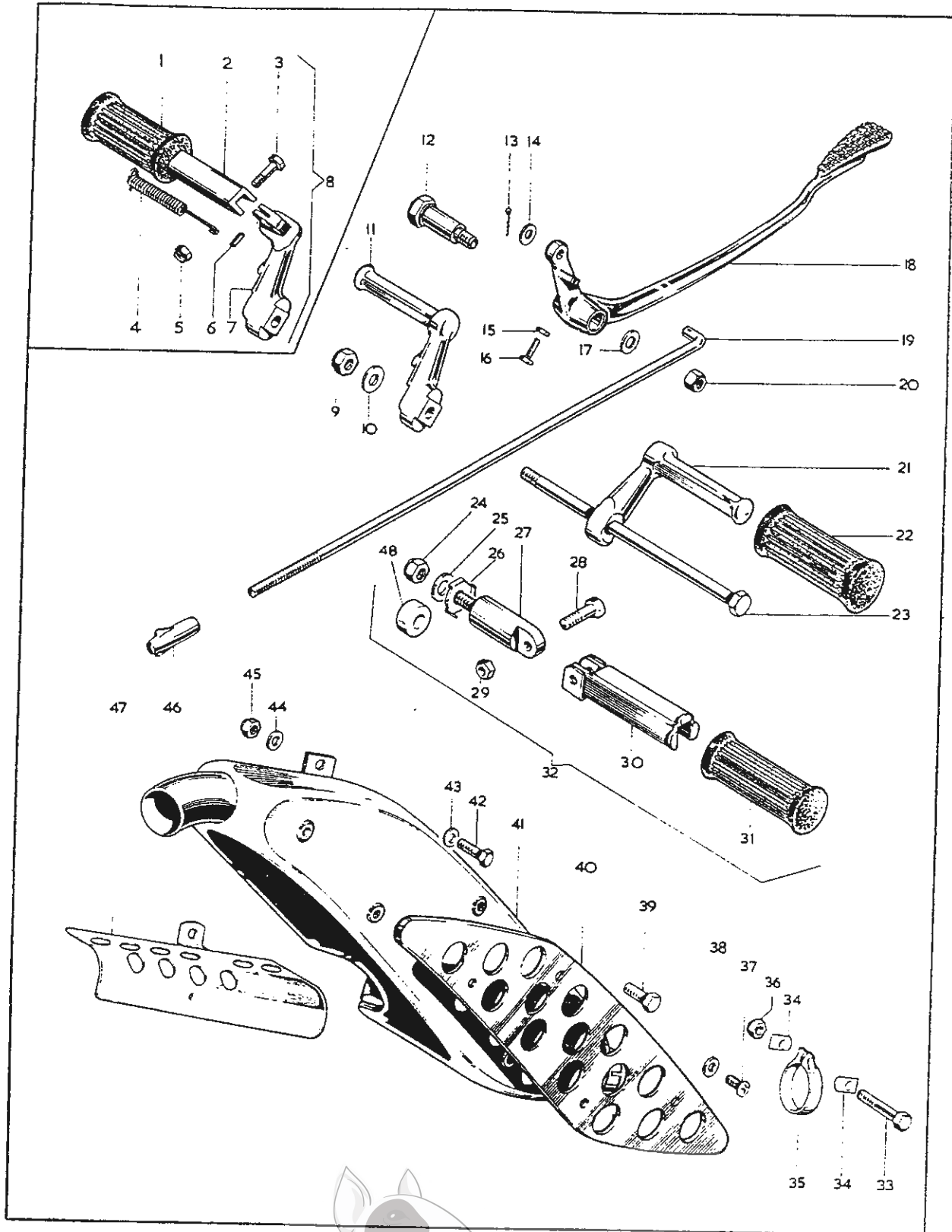


Plate 11—continued

REAR BRAKE CONTROL — FOOTREST — SILENCER

Model	Key No.	Spares No.	Description	Per Set
T SS MX	35	71-2895	Clamp — silencer to exhaust pipe	1
H	35	71-2725	Clamp — silencer to exhaust pipe	1
T SS MX	36	21-1908	Nut — silencer clamp bolt	1
H	36	14-1302	Nut — silencer clamp bolt	1
T SS MX		54-8003*	Washer — silencer clamp bolt	1
T SS	37	14-2203	Screw — heat shield fixing ($\frac{1}{4}$ " UN.F. \times $\frac{3}{8}$ ")	5
T SS	38	68-0331	Washer — heat shield fixing (.265" \times .500" \times .064")	5
T SS H	39	14-0113	Bolt — silencer fixing, lower ($\frac{5}{16}$ " UN.F. \times $\frac{3}{8}$ ")	1
T SS	40	71-2114	Heat shield	1
H	41	71-1710	Silencer	1
T SS	41	71-2401	Silencer	1
MX		71-2901*	Megaphone	1
MX		14-0115*	Bolt — megaphone bracket to frame ($\frac{5}{16}$ " UN.F. \times $\frac{3}{8}$ ")	1
MX		02-0370*	Distance piece — megaphone bracket to frame	1
MX		14-1302*	Nut — megaphone fixing ($\frac{5}{16}$ " UN.F.)	1
T SS	42	14-0116	Bolt — silencer fixing, top ($\frac{5}{16}$ " UN.F. \times 1")	1
T SS	43	15-5155	Washer — silencer fixing (.328" \times .505" \times .048")	4
T SS	44	83-4322	Distance piece — silencer top fixing	1
T SS	45	14-1302	Nut — silencer fixing ($\frac{5}{16}$ " UN.F.)	2
H		14-0101*	Bolt — silencer to bracket	2
H		14-1381*	Locknut — silencer bracket bolt	2
T SS H MX	46	82-7387	Adjuster nut — brake rod	1
T SS H	47	71-2402	Heat shield — tail pipe	1
T SS H	48	40-4080	Distance piece — rear footrest, right	1

*Not illustrated



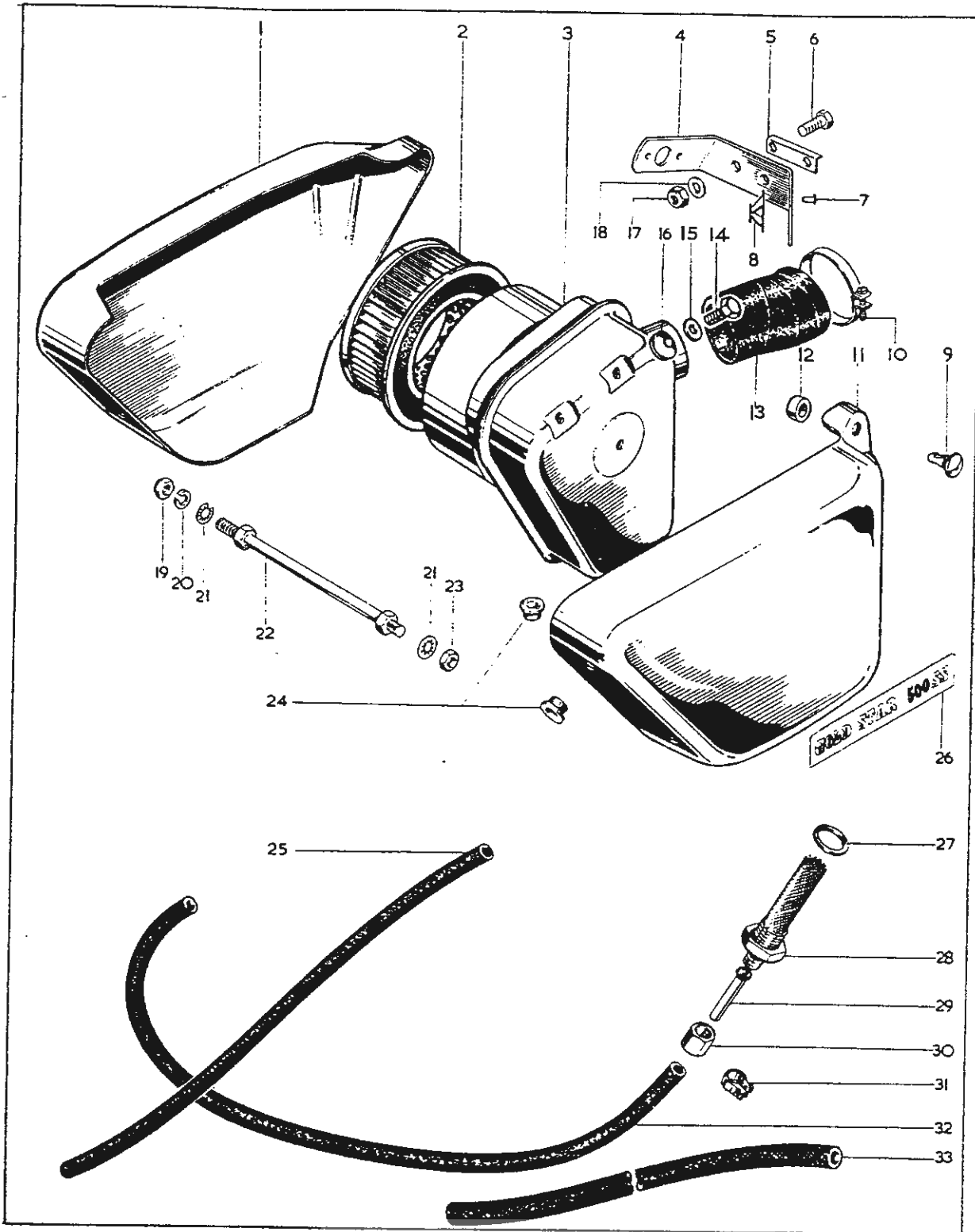


Plate 12

AIR FILTER — SIDECOVERS — OIL PIPES

Model	Key No.	Spares No.	Description	Per Set
T SS H	1	83-2937	Sidecover — left	1
T SS H MX	2	60-2601	Element — air cleaner	1
T SS H	3	83-3541	Air filter box	1
MX	3	83-3299	Air filter box	1
MX		83-3305*	Air filter fixing plate	1
MX		40-2705*	Washer — air filter element fixing (.266" × .469" × .064")	1
MX		14-0101*	Bolt — air filter element fixing ($\frac{1}{4}$ " UN.F. × $\frac{1}{2}$ "	1
MX		14-0102*	Bolt — air filter box top fixing ($\frac{1}{4}$ " UN.F. × $\frac{3}{8}$ "	2
MX		60-2427*	Spring washer — top fixing bolt (.281" × .465" × .064")	2
MX		14-0102*	Bolt — bottom fixing ($\frac{1}{4}$ " UN.F. × $\frac{3}{8}$ "	1
MX		14-1301*	Nut — bottom fixing bolt ($\frac{1}{4}$ " UN.F.)	1
MX		76-0101*	Washer — bottom fixing bolt (.266" × .750" × .080")	1
MX		60-3483*	Connecting hose — air filter to carburetter	1
MX	4	83-3035	Bracket — sidecover fixing	1
T SS H	4	83-3721	Bracket — sidecover fixing	1
T SS H	5	83-3632	Tab washer — front fixing bracket	1
T SS H	6	14-0102	Bolt — front fixing bracket ($\frac{1}{4}$ " UN.F. × $\frac{3}{8}$ "	2
T SS H	7	83-2785	Rivet — "Oddie" clip fixing	4
T SS H	8	68-9115	"Oddie" clip — sidecover fixing	2
T SS H	9	60-3159	"Oddie" fastener	2
T SS H	10	60-3536	Clamp — carburetter hose	1
T SS H	11	83-2938	Sidecover — right	1
T SS H	12	60-3160	Rubber washer — "Oddie" fastener	2
T SS H	13	83-2507	Connecting hose — air filter to carburetter	1
T SS H	14	14-0103	Bolt — air filter box mounting ($\frac{1}{4}$ " UN.F. × $\frac{1}{2}$ "	2
T SS H	15	40-2705	Washer — air filter box mounting (.266" × .469" × .064")	4
T SS H	16	60-3161	Grommet — air filter box mounting, top	2
T SS H	17	14-1301	Nut — front fixing bracket ($\frac{1}{4}$ " UN.F.)	2
T SS H	18	27-8560	Washer — front fixing bracket (.255" × .625" × .048")	2
T SS H	19	14-1901*	Nut — air filter element fixing ($\frac{1}{4}$ " UN.F.)	1
T SS H	20	60-2427*	Spring washer — air filter element fixing (.281" × .465" × .092")	1
T SS H	21	29-0541*	Serrated washer — stud and element fixing	2
T SS H	22	83-3605	Stud assembly — air filter element fixing	1
T SS H	23	14-0401*	Nut — air filter stud fixing ($\frac{1}{4}$ " UN.F.)	1
T SS H	24	83-2006	Grommet — air filter box mounting, lower	1
T SS H	24	83-2006	Grommet — sidecover mounting	4
T SS H	25	83-3077	Breather pipe — oil reservoir	1
T	26	60-3732	Transfer — sidecover	2
SS H	26	60-3734	Transfer — sidecover	2
T SS H MX	27	40-8331	Fibre washer — frame oil filter	1
T SS H MX	28	82-9430	Oil filter — frame	1
T SS H MX	29	40-8322	Oil feed pipe	1
T SS H MX	30	40-8323	Nut — oil pipe union	1
T SS H MX	31	68-8343	Clamp — oil pipe	4
T SS H MX	32	83-3078	Oil feed pipe — frame to engine	1
T SS H MX	33	83-3076	Oil return pipe — engine to frame	1
MX		83-3473*	Number plate — left	1
MX		83-3474*	Number plate — right	1
MX		83-3475**	Number plate — left	1
MX		83-3476**	Number plate — right	1

*Not illustrated

**Home and General Export

CLASSIC
BIKE SPARES

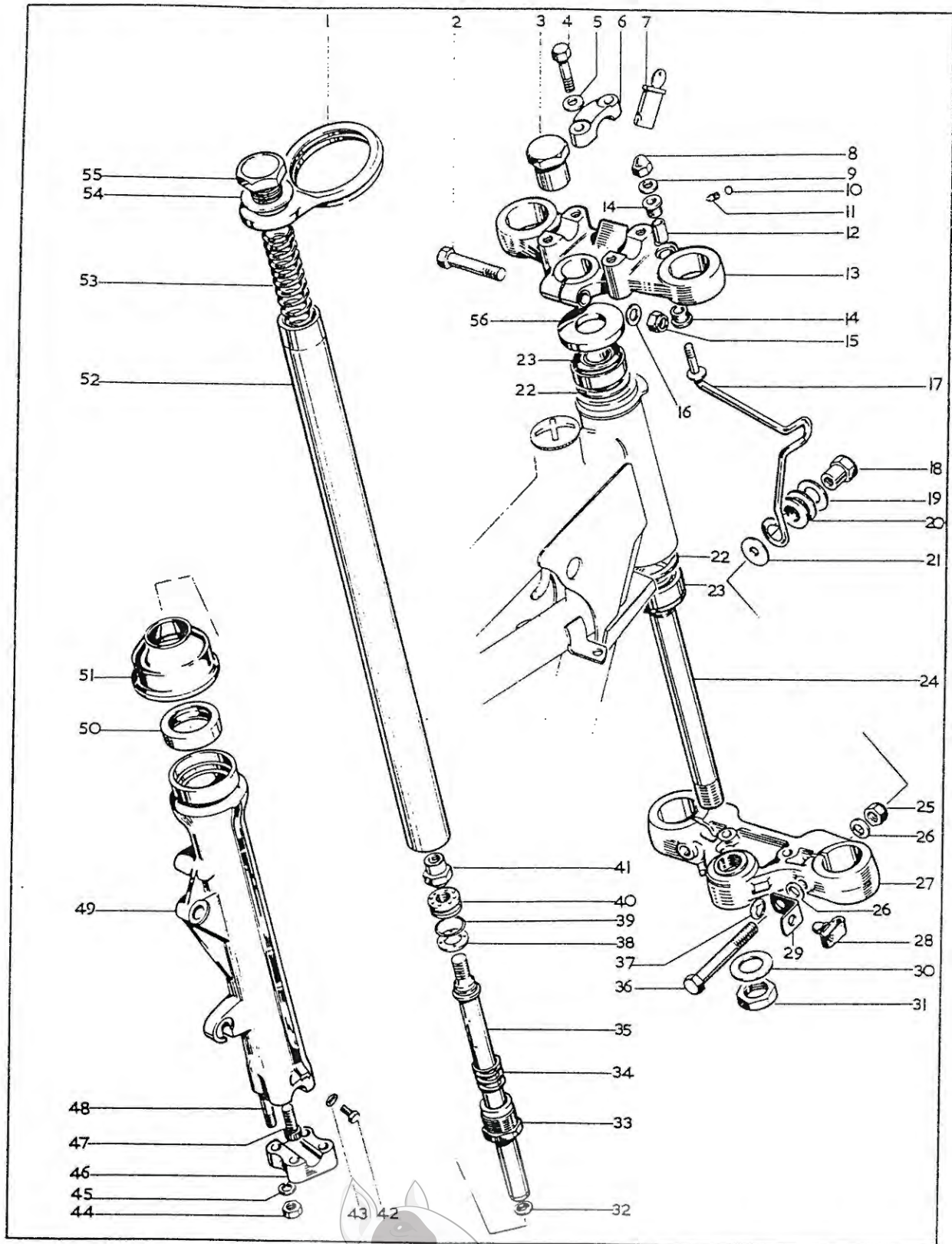


Plate 13

FRONT FORKS

Model	Key No.	Spares No.	Description	Per Set
T SS H		97-4335	Front fork complete	1
MX		97-4336	Front fork complete	1
T SS H	1	97-4026	Bracket — speedometer mounting	1
T SS H MX	2	14-0236	Pinch bolt — top yoke ($\frac{3}{8}$ " UN.F. \times $2\frac{1}{4}$ ")	1
T SS H MX	3	97-4317	Nut — steering stem adjuster	1
T SS H MX	4	14-6219	Bolt — handlebar clamp ($\frac{5}{16}$ " UN.C. \times $1\frac{1}{2}$ ")	4
T SS H MX	5	42-0157	Washer — handlebar clamp ($\cdot330$ " \times $\cdot580$ " \times $\cdot047$ ")	4
T SS H MX	6	97-0722	Handlebar clamp	2
T SS H	7	68-5050*	Steering lock and key	1
T SS H	8	21-1809	Nut — headlamp mounting, top (domed $\frac{1}{4}$ " UN.F.)	2
T SS H	9	60-2338	Washer — headlamp mounting, top ($\cdot278$ " \times $\cdot625$ " \times $\cdot056$ ")	2
T SS H	10	97-2266	Sealing washer — steering lock grub-screw	1
T SS H	11	21-0578	Grub screw — steering lock locating	1
T SS H	12	83-2211	Distance piece — headlamp mounting bushes	2
T SS H	13	97-4115	Top yoke complete with lock and key	1
MX	13	97-3985	Top yoke	1
T SS H	14	83-2209	Rubber bush — headlamp mounting	4
T SS H MX	15	14-1303	Nut — top yoke pinch bolt ($\frac{3}{8}$ " UN.F.)	1
T SS H MX	16	02-2138	Washer — top yoke pinch bolt ($\cdot280$ " \times $\cdot750$ " \times $\cdot064$ ")	1
T SS H	17	97-4048	Bracket — headlamp mounting, left	1
T SS H	17	97-4050	Bracket — headlamp mounting, right	1
T SS H	18	21-2062	Sleeve nut — headlamp mounting bracket	2
T SS H	19	60-2333	Washer — sleeve nut ($\cdot520$ " \times $1\cdot00$ " \times $\cdot056$ ")	2
T SS H	20	60-2630	Grommet — sleeve nut, headlamp mounting bracket	2
T SS H	21	82-9046	Washer — sleeve nut ($\cdot375$ " \times $1\cdot00$ " \times $\cdot064$ ")	2
T SS H MX	22	83-2007	Abutment ring — steering head bearing	2
T SS H MX	23	97-4031	Taper roller bearing — steering head (Timken LM11949L)	2
T SS H MX	24	97-4319	Steering stem	1
T SS H MX	25	14-1203	Nut — bottom yoke pinch bolt ($\frac{3}{8}$ " UN.F.)	2
T SS H MX	26	02-2138	Washer — bottom yoke pinch bolt ($\cdot280$ " \times $\cdot750$ " \times $\cdot064$ ")	4
T SS H MX	27	97-3987	Bottom yoke	1
T SS H MX	28	97-2270	Retainer — brake cable	1 or 2
T SS H MX	29	97-3682	Bracket — brake cable retainer	1 or 2
SS H	30	60-2336	Washer — steering stem ($\cdot781$ " \times $1\cdot50$ " \times $\cdot072$ ")	1
T SS H MX	31	14-7308	Locknut — steering stem ($\frac{3}{4}$ " UN.C.)	1

*See page 2 for details of replacement keys

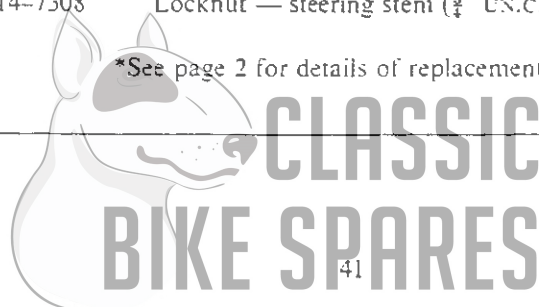


Plate 13—continued

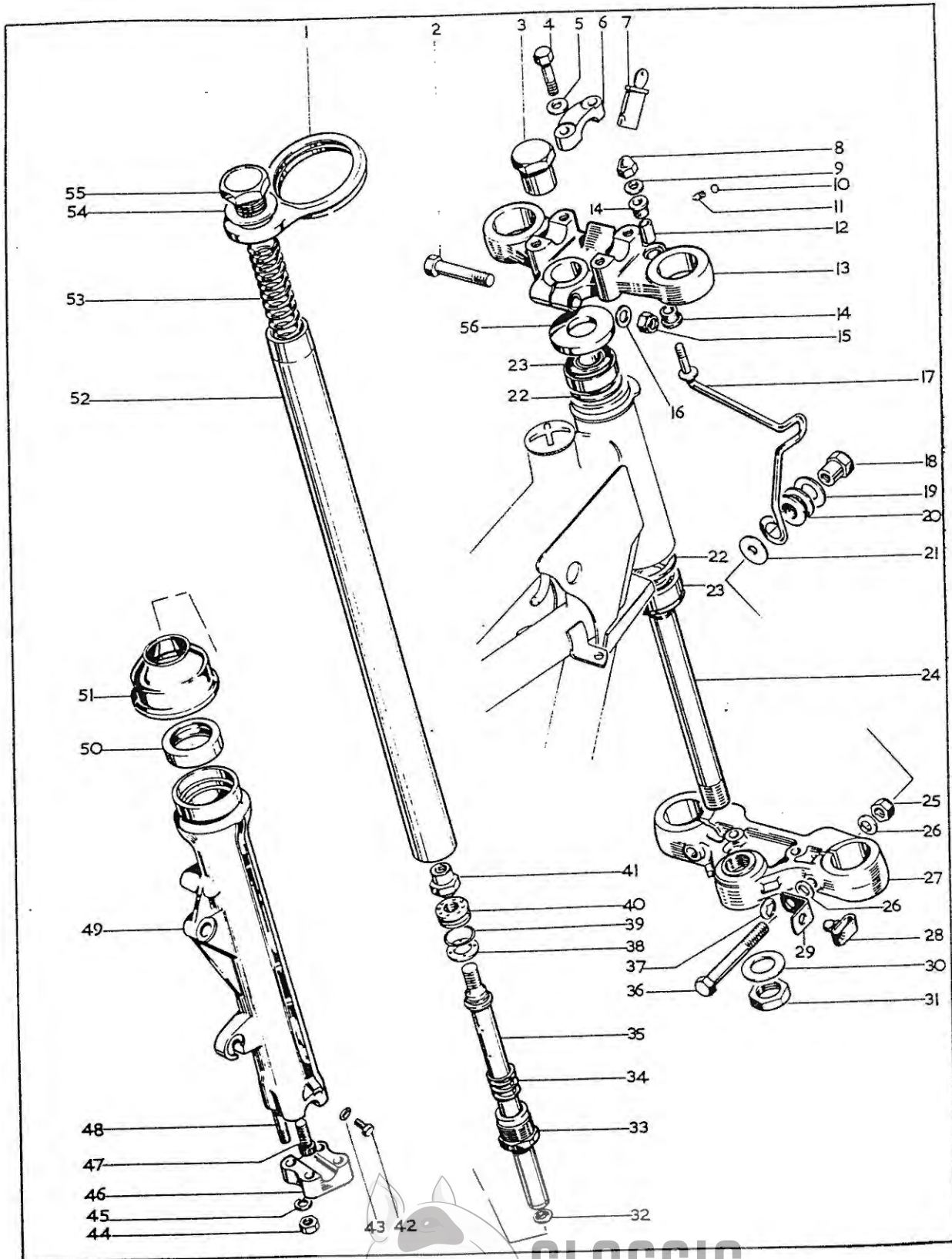


Plate 13—continued

FRONT FORKS

Model	Key No.	Spares No.	Description	Per Set
T SS H MX	32	97-4004	Washer — damper tube (Dowty)	2
T SS H MX	33	97-4076	Stanchion end plug complete	2
T SS H MX	34	97-4009	Recoil spring	2
T SS H MX	35	97-3996	Damper tube complete	2
T SS H	36	14-0240	Bolt — bottom yoke pinch bolt ($\frac{3}{8}$ " UN.F. \times 3 $\frac{1}{4}$ ")	2
MX	36	14-0239	Bolt — bottom yoke pinch bolt ($\frac{3}{8}$ " UN.F. \times 3")	2
T SS H	37	82-8245	Star lockwasher — brake cable retainer	1 or 2
T SS H MX	38	97-4010	Washer — damper	2
T SS H MX	39	97-4003	"O" ring — damper valve	2
T SS H MX	40	97-4020	Valve — damper	2
T SS H MX	41	97-4012	Nut — damper valve	2
T SS H MX	42	97-3894	Drain screw — outer member	2
T SS H MX	43	97-3893	Fibre washer — drain screw	2
T SS H MX	44	14-0302	Nut — fork end cap ($\frac{5}{16}$ " UN.F.)	8
T SS H MX	45	60-2428	Spring washer — fork end cap (.344" \times .600" \times .064")	8
T SS H MX	46	97-3947	Fork end cap	2
T SS H MX	47	14-1019	Allen screw — damper tube ($\frac{5}{16}$ " UN.F. \times $\frac{7}{8}$ ")	2
T SS H MX	48	21-2102	Stud — fork end cap ($\frac{5}{16}$ " UN.F./UN.C. \times 1 $\frac{7}{8}$ ")	8
T SS H MX	49	97-4032	Outer member complete — right	1
T SS H MX	49	97-4033	Outer member complete — left	1
T SS H MX	50	97-4001	Oil seal — outer member	2
T SS H MX	51	97-4002	Scraper sleeve — outer member	2
T SS H MX	52	97-4007	Fork stanchion	2
T SS H MX	53	97-4011	Main spring	2
T SS H MX	54	97-4166	Washer — top cap nut	2
T SS H MX	55	97-4258	Nut — top cap	2
T SS H MX	56	97-4028	Dust cover — steering head	1



Plate 14

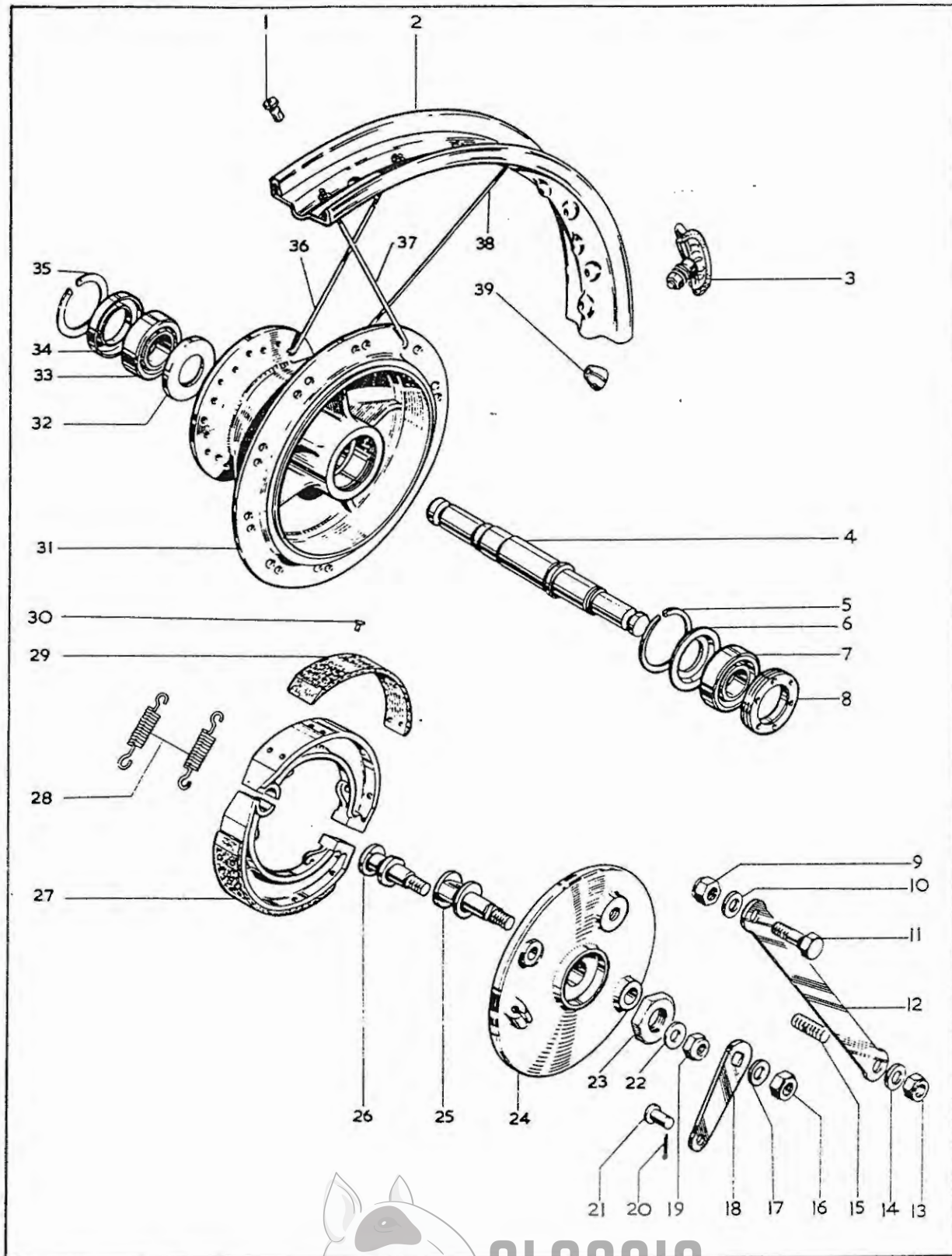


Plate 14

FRONT WHEEL (6" Brake)

Model	Key No.	Spares No.	Description	Per Set
T	MX	37-3791	Front wheel, less brake	1
T	MX	37-3792	Front wheel, with brake	1
T	MX	1 27-6810	Spoke nipple	40
T	MX	2 37-3795	Wheel rim (WM1 x 20)	1
T	MX	3 37-3584	Security bolt	1
T	MX	4 37-3796	Wheel spindle	1
T	MX	5 60-2632	Circlip — grease retainer, right	1
T	MX	6 37-3797	Grease retainer — right	1
T	MX	7 37-0653	Bearing (Hoffmann 120)	1
T	MX	8 37-3759	Lock ring — bearing, right	1
T	MX	9 14-1304	Locknut — anchor strap, at fork leg ($\frac{7}{16}$ " UN.F.)	1
T	MX	10 60-2332	Washer — anchor strap, at fork leg ($\cdot 458" \times \cdot 875" \times \cdot 048"$)	1
T	MX	11 14-0134	Bolt — anchor strap, at fork leg ($\frac{7}{16}$ " UN.F. x $1\frac{1}{4}"$)	1
T	MX	12 83-2660	Anchor strap	1
T	MX	13 14-1304	Locknut — anchor strap, at brake plate ($\frac{7}{16}$ " UN.F.)	1
T	MX	14 60-2332	Washer — nut, anchor strap, at brake plate ($\cdot 458" \times \cdot 875" \times \cdot 048"$)	1
T	MX	15 21-2063	Stud — anchor strap, at brake plate	1
T	MX	16 14-1303	Locknut — brake lever ($\frac{3}{8}$ " UN.F.)	1
T	MX	17 60-2331	Washer — nut, brake lever ($\cdot 395" \times \cdot 750" \times \cdot 048"$)	1
T	MX	18 37-3694	Brake lever	1
T	MX	19 14-1303	Locknut — fulcrum pin ($\frac{3}{8}$ " UN.F.)	1
T	MX	20 60-2683	Split pin — brake cable pivot	1
T	MX	21 42-5836	Pivot pin — front brake cable	1
T	MX	22 60-2331	Washer — nut, fulcrum pin ($\cdot 395" \times \cdot 750" \times \cdot 048"$)	1
T	MX	23 37-2058	Locknut — brake anchor plate	1
T	MX	24 37-3704	Brake anchor plate	1
T	MX	25 37-3799	Brake cam	1
T	MX	26 37-3798	Fulcrum pin	1
T	MX	27 37-3804	Brake shoe complete	2
T	MX	28 65-5904	Spring — brake shoe return	2
T	MX	29 19-7707	Lining — brake shoe	2
T	MX	30 29-5853	Rivet — brake shoe lining	16
T	MX	31 37-3793	Hub complete with spindle and bearings	1
T	MX	32 37-1481	Grease retainer — left, inner	1
T	MX	33 37-0653	Bearing (Hoffmann 120)	1
T	MX	34 37-1237	Grease retainer — left, outer	1
T	MX	35 57-0280	Circlip — grease retainer, left	1
T	MX	36 37-3697	Spoke — left	20
T	MX	37 37-3696	Spoke — outer, right	10
T	MX	38 37-3695	Spoke — inner, right	10
T	MX	39 37-3969	Balance weight — short	as reqd.
T	MX	39 37-3970	Balance weight — long	as reqd.

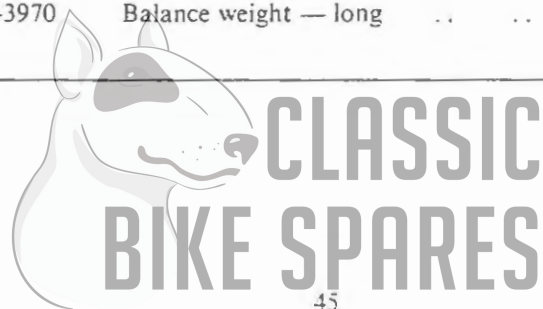


Plate 15

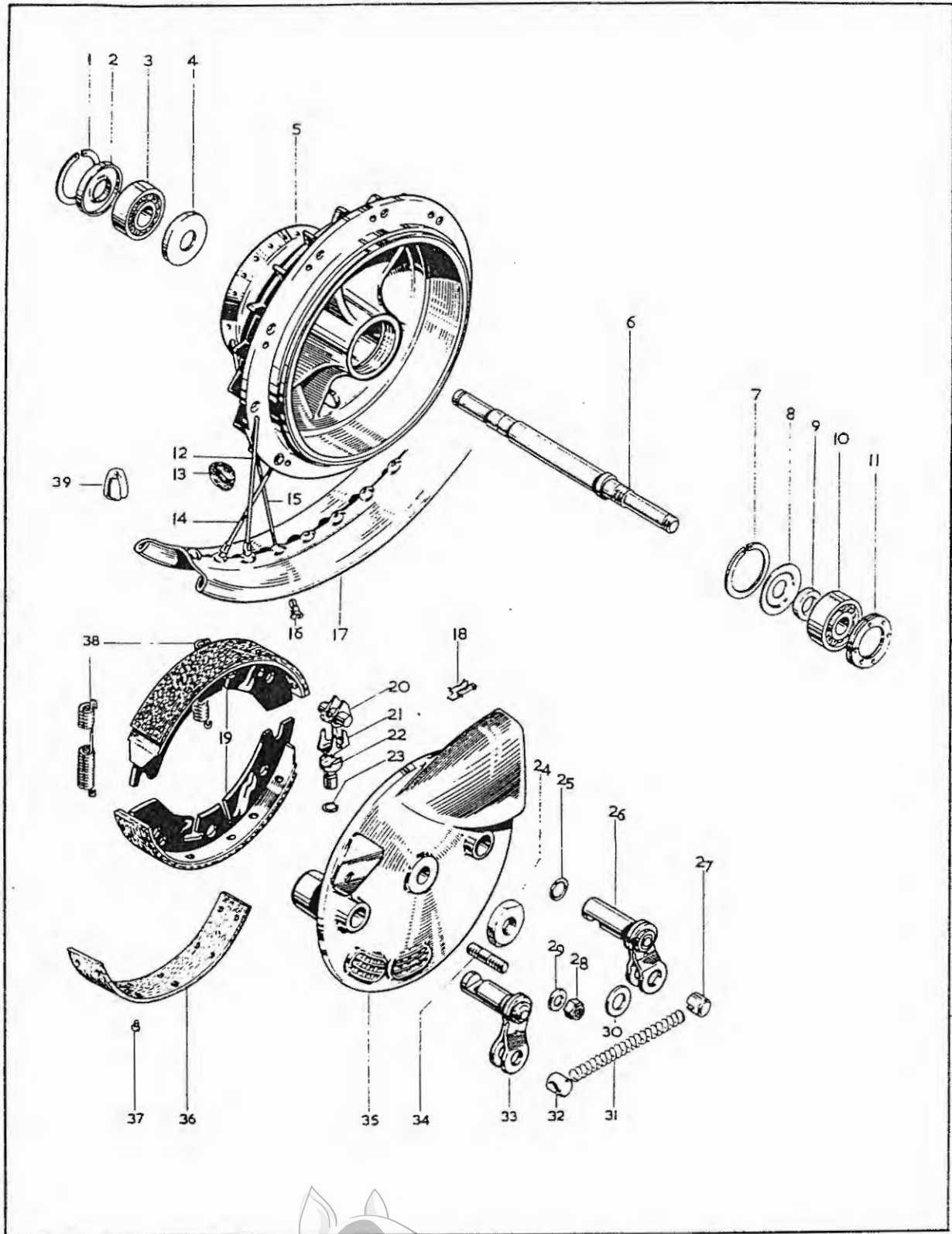


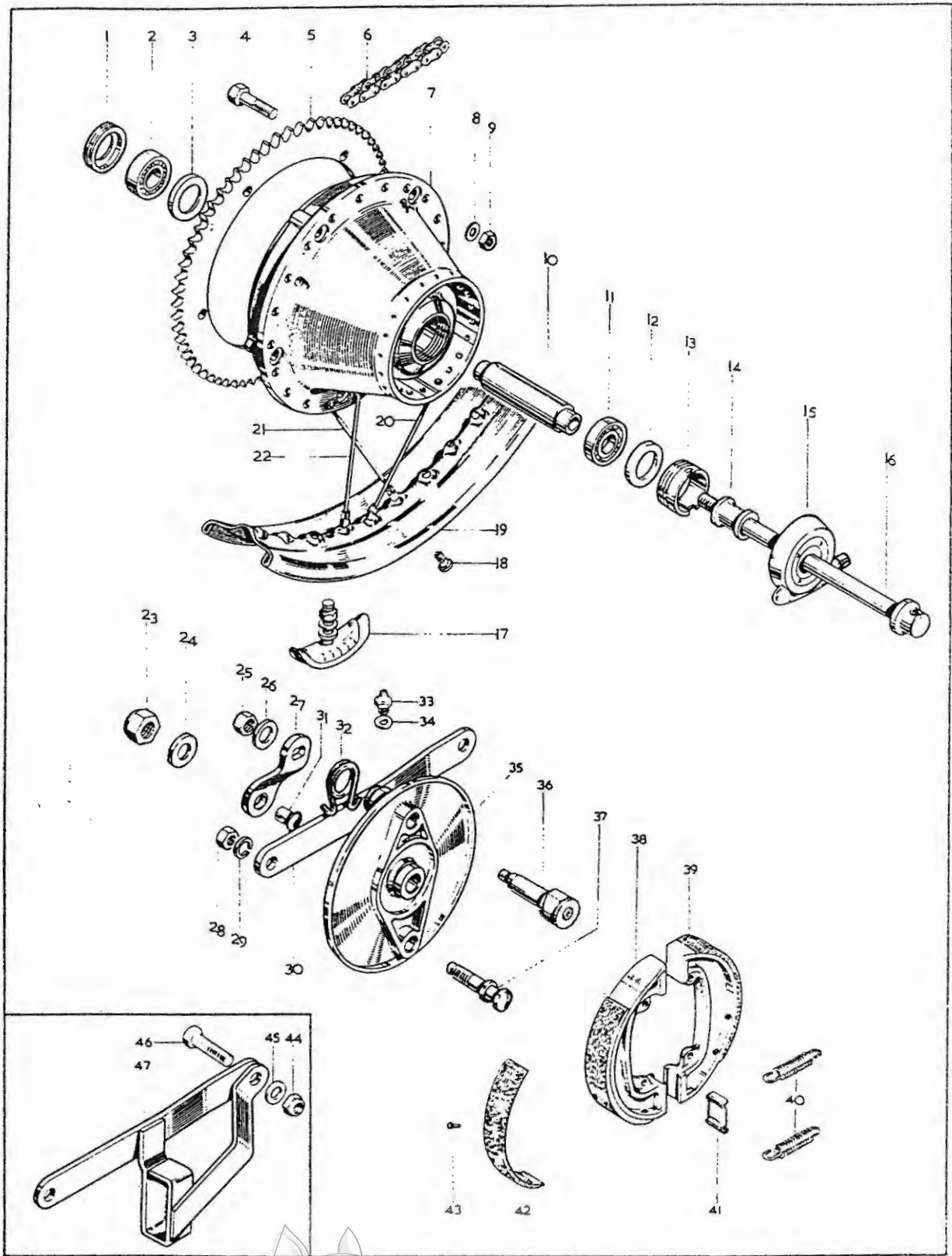
Plate 15

FRONT WHEEL (8" Brake)

Model	Key No.	Spares No.	Description	Per Set
SS H		37-3735	Front wheel, less brake	1
SS H	1	57-0280	Circlip — grease retainer, left	1
SS H	2	37-1237	Grease retainer — left, outer	1
SS H	3	37-0653	Bearing (Hoffmann 120)	1
SS H	4	37-1481	Grease retainer — left, inner	1
SS H	5	37-3848	Hub complete with spindle and bearings	1
SS H	6	37-3796	Wheel spindle	1
SS H	7	60-2632	Circlip — grease retainer, right	1
SS H	8	37-3797	Grease retainer — right	1
SS H	9	37-3932	Distance piece — wheel spindle, right bearing, inner	1
SS H	10	37-0653	Bearing (Hoffmann 120)	1
SS H	11	37-3759	Lockring — bearing	1
SS H	12	37-3817	Spoke — right, outer	10
SS H	13	60-3669	Grommet — brake drum	1
SS H	14	37-3816	Spoke — right, inner	10
SS H	15	37-3726	Spoke — left	20
SS H	16	27-6810	Spoke nipple	40
SS H	17	37-3785	Wheel rim (WM2 > 18)	1
SS H	18	19-7743	Abutment — Micram adjuster (Lockheed 25241)	2
SS H	19	19-7744	Brake shoe complete (Lockheed 4523-166)	2
SS H	20	19-7742	Micram adjuster (Lockheed 3135-514)	2
SS H	21	19-7741	Cage — brake adjuster (Lockheed 25253)	2
SS H	22	37-3762	Tappet — brake cam	2
SS H	23	37-3761	"O" ring — brake tappet	2
SS H	24	37-2058	Locknut — wheel spindle	1
SS H	25	60-2639	"O" ring — brake cam	2
SS H	26	37-3987	Brake lever — front	1
SS H	27	37-3996	Bush — cable to levers, front	1
SS H	28	14-1303	Nut — anchor plate to fork ($\frac{3}{8}$ " UN.F.)	1
SS H	29	60-2340	Washer — anchor plate to fork (.395" x .875" x .048")	1
SS H	30	67-0645	Washer — cable to lever bush (.578" x .875" x .064")	2
SS H	31	37-4014	Return spring — brake levers	1
SS H	32	37-3986	Brake lever — rear	1
SS H	34	14-1635	Stud — anchor plate to fork leg ($\frac{3}{8}$ " UN.C./UN.F. x $1\frac{1}{4}$ ")	1
SS H	35	37-3655	Brake anchor plate	1
SS H	36	19-7466	Lining — brake shoe	2
SS H	37	19-7467	Rivet — brake shoe	10
SS H	32	37-3997	Bush — cable to lever, rear	1
SS H	38	19-7745	Spring — brake shoe return	2
SS H	39	37-3969	Balance weight — short	as reqd.
SS H	39	37-3970	Balance weight — long	as reqd.



Plate 16



REAR WHEEL — CHAIN GUIDE

Model	Key No.	Spares No.	Description	Per Set
T		37-3958	Rear wheel, less brake	1
SS H		37-3957	Rear wheel, less brake	1
MX		37-3959	Rear wheel, less brake	1
T		37-3780	Rear wheel, with brake	1
SS H		37-3991	Rear wheel, with brake	1
MX		37-3960	Rear wheel, with brake	1
T SS H MX	1	37-3752	Lockring — left bearing	1
T SS H	2	37-0653	Bearing — left (Hoffmann 120)	1
MX	2	37-1340	Bearing — left (Hoffmann 120RS)	1
T SS H MX	3	37-3749	Support ring — left	1
T SS H MX	4	14-0207	Bolt — sprocket fixing ($\frac{1}{4}$ " UN.F. \times 2")	5
SS H	5	37-3992	Sprocket — 47 teeth	1
T MX	5	37-3741	Sprocket — 52 teeth	1
T	6	19-8701	Chain — rear ($\frac{5}{8}$ " \times $\frac{1}{4}$ " \times 107 pitches)	1
SS H	6	19-8711	Chain — rear ($\frac{5}{8}$ " \times $\frac{1}{4}$ " \times 105 pitches)	1
MX	6	19-8698	Chain — rear ($\frac{5}{8}$ " \times $\frac{1}{4}$ " \times 106 pitches)	1
T SS H	7	37-3907	Hub complete with spindle and bearings	1
MX	7	37-3908	Hub complete with spindle and bearings	1
T SS H MX	8	60-2320	Washer — sprocket fixing (\cdot 270" \times \cdot 562" \times \cdot 056")	5
T SS H MX	9	14-1301	Nut — sprocket fixing ($\frac{1}{4}$ " UN.F.)	5
T SS H MX	10	37-3753	Spacer — bearing	1
T SS H	11	37-0653	Bearing — right (Hoffmann 120)	1
MX	11	37-1340	Bearing — right (Hoffmann 120RS)	1
T SS H	12	37-1654	Grease retainer — right	1
MX	12	37-3909	Grease retainer assembly — right	1
T SS H MX	13	37-3751	Ring — speedometer drive	1
T SS H	14	37-3750	Distance piece — speedometer drive	1
T	15	19-9224	Speedometer drive gearbox 21/10 (BG5330/104)	1
SS H	15	19-9223	Speedometer drive gearbox 2/1 (BG5330/24)	1
T SS H MX	16	37-3977	Spindle — rear wheel	1
T MX	17	37-3468	Security bolt	2
T SS H MX	18	27-6810	Spoke nipple	40
T MX	19	37-3784	Rim (WM3 \times 18)	1
SS H	19	37-3785	Rim (WM2 \times 18)	1
T SS H MX	20	37-3726	Spoke — right	20
T SS H MX	21	37-3725	Spoke — left, outer	10



Plate 16—continued

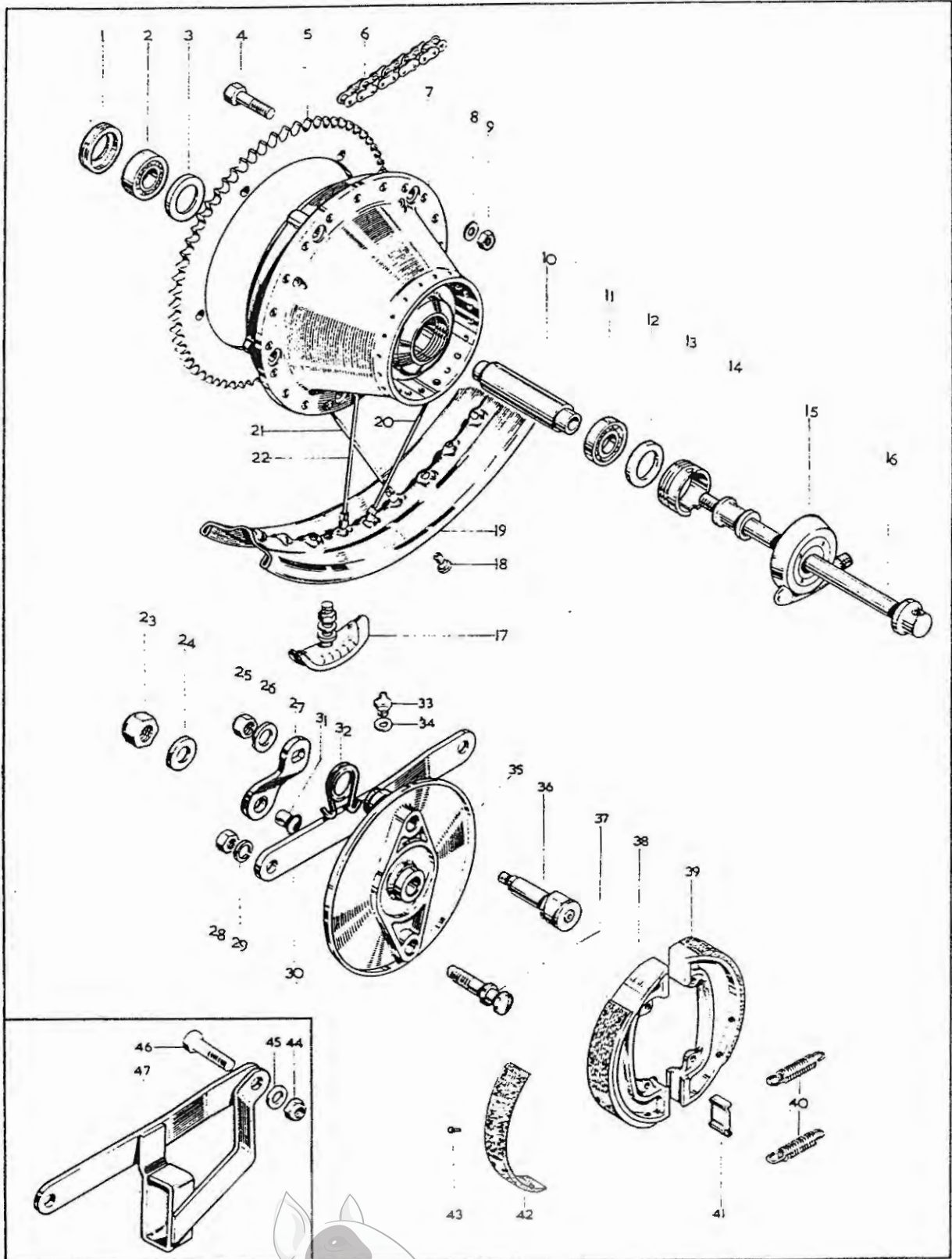


Plate 16—continued

REAR WHEEL — CHAIN GUIDE

Model	Key No.	Spares No.	Description	Per Set	
T SS H MX	22	37-3724	Spoke — left, inner	10	
T SS H MX	23	14-1307	Nut — wheel spindle ($\frac{3}{8}$ " UN.F.)	1	
T SS H MX	24	83-2266	Washer — wheel spindle	1	
T SS H MX	25	14-1303	Nut — brake lever ($\frac{3}{8}$ " UN.F.)	1	
T SS H MX	26	60-2331	Washer — brake lever ($\cdot 395"$ \times $\cdot 750"$ \times $\cdot 048"$)	1	
T	MX	27	37-3877	Brake lever	1
	SS H	27	37-4034	Brake lever	1
T SS H MX	28	14-0305	Nut — torque arm to brake pivot ($\frac{1}{2}$ " UN.F.)	1	
T SS H MX	29	60-2431	Spring washer — torque arm to brake pivot ($\cdot 531"$ \times $\cdot 851"$ \times $\cdot 092"$)	1	
	H	30	83-3523	Torque arm	1
T SS H MX	31	37-1467	Pivot pin — brake rod	1	
T	MX	32	37-3880	Spring — brake lever return	1
	SS H	32	37-4049	Spring — brake lever return	1
T SS H MX	33	60-1841	Grease nipple — brake anchor plate	1	
T SS H MX	34	24-1088	Fibre washer — grease nipple	1	
T SS H MX	35	37-3857	Brake anchor plate	1	
T SS H MX	36	37-3872	Brake cam	1	
T SS H MX	37	37-3870	Brake pivot	1	
T SS H MX	38	37-3925	Brake shoe complete — leading	1	
T SS H MX	39	37-3926	Brake shoe complete — trailing	1	
T SS H MX	40	37-2328	Spring — brake shoe	2	
T SS H MX	41	37-4071	Brake pivot pad	2	
T SS H MX	42	19-7740	Brake shoe lining	2	
T SS H MX	43	42-5840	Rivet — brake shoe	16	
	MX	44	14-1303	Nut — torque arm fixing ($\frac{3}{8}$ " UN.F.)	1
	MX	45	40-0157	Washer — torque arm fixing ($\cdot 391"$ \times $\cdot 781"$ \times $\cdot 031"$)	1
	MX	46	14-0126	Bolt — torque arm fixing ($\frac{3}{8}$ " UN.F. \times $\frac{3}{4}$ ")	1
T SS	MX	47	83-4218	Torque arm and chain guide assembly	1



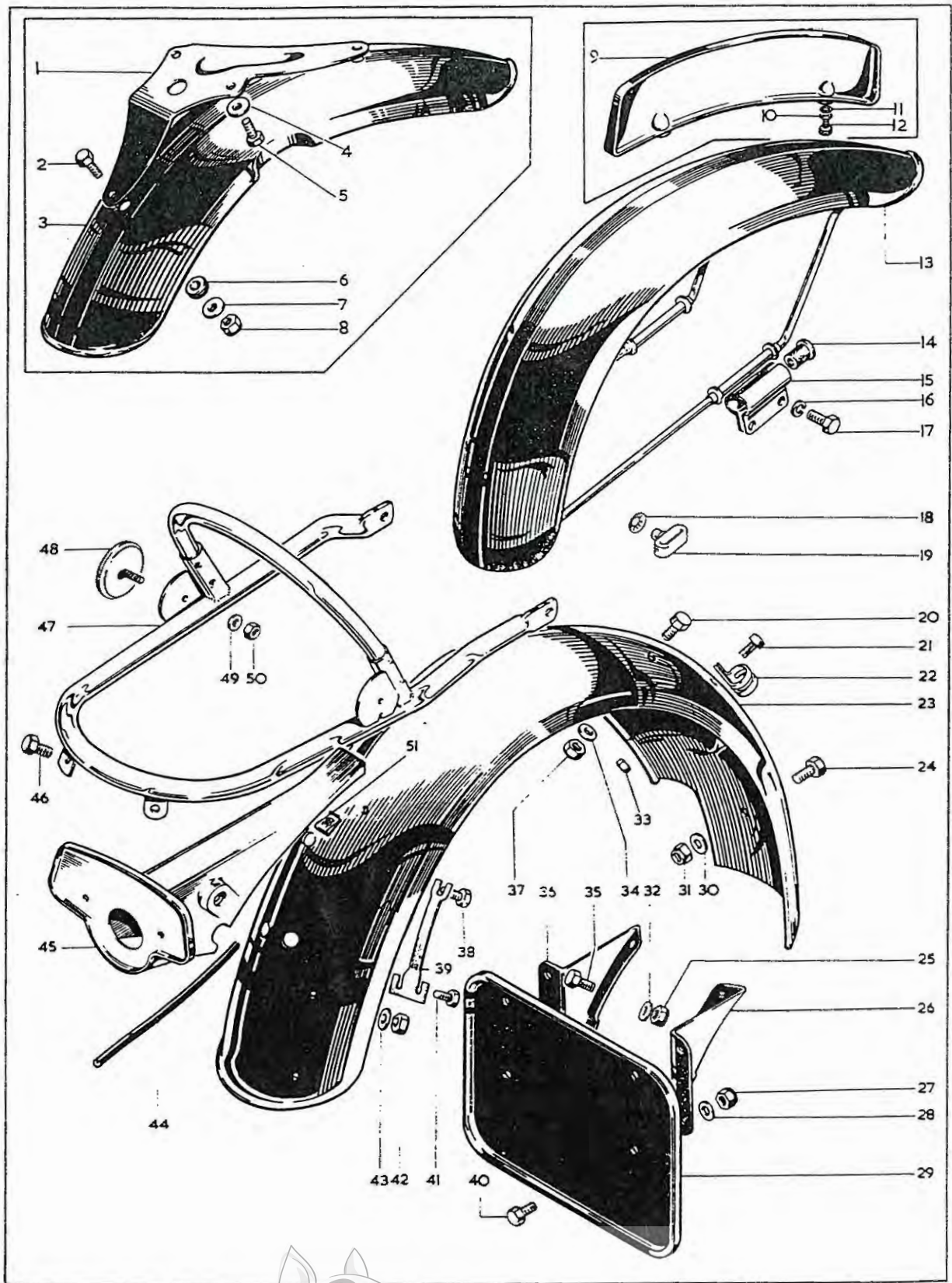


Plate 17

MUDGUARDS — HANDRAIL

Model	Key No.	Spares No.	Description	Per Set
T	MX	1	97-4075 Bracket — front mudguard	1
T	MX	2	14-0114 Bolt — front mudguard fixing ($\frac{1}{16}$ " UN.F. \times $\frac{3}{4}$ ")	2
T		3	97-4333 Front mudguard	1
	MX	3	97-4072 Front mudguard	1
T	MX	4	60-2348 Washer — front mudguard bracket mounting ($\cdot 333$ " \times $\cdot 750$ " \times $\cdot 048$ ")	2
T	MX	5	14-6114 Bolt — front mudguard bracket mounting ($\frac{5}{16}$ " UN.C. \times $\frac{3}{4}$ ")	2
T	MX	6	60-3242 Grommet — front mudguard fixing	2
T	MX	7	60-2348 Washer — front mudguard fixing ($\cdot 333$ " \times $\cdot 750$ " \times $\cdot 048$ ")	2
T	MX	8	14-1302 Locknut — front mudguard fixing ($\frac{5}{16}$ " UN.F.)	2
	H	9	83-2834 Front number plate	1
	H	10	90-6219 Washer — front number plate fixing	2
	H	11	68-0597 "O" ring — front number plate fixing	2
	H	12	40-3044 Screw — front number plate fixing	2
	H	13	97-4127 Front mudguard	1
SS		13	97-4052 Front mudguard	1
SS H		14	97-4021 Rubber bush — front mudguard mounting	4
SS H		15	97-4022 Bracket — front mudguard mounting	4
SS H		16	60-2427 Washer — front mudguard mounting	4
SS H		17	14-0103 Bolt — front mudguard mounting ($\frac{1}{4}$ " UN.F. \times $\frac{3}{4}$ ")	4
SS H		18	82-8245 Star lockwasher	1
SS H		19	97-2270 Retainer — front brake cable	1
T SS H		20	14-0101 Bolt — rear mudguard to frame ($\frac{1}{4}$ " UN.F. \times $\frac{1}{2}$ ")	4
T SS H MX		21	97-3894 Screw — breather pipe clip (2 B.A. \times 21/64")	1
T SS H MX		22	83-4123 "P" clip — breather pipe	1
T		23	83-4318 Rear mudguard	1
	SS H	23	83-4092 Rear mudguard	1
	MX	23	83-2934 Rear mudguard	1
T SS H MX		24	14-0101 Bolt — rear mudguard fixing ($\frac{1}{4}$ " UN.F. \times $\frac{1}{2}$ ")	1
T SS H		25	14-1301 Nut — bracket to rear mudguard, lower ($\frac{1}{4}$ " UN.F.)	2
	H	26	83-2728 Bracket — rear number plate mounting, right	1
	H	27	14-1301 Nut — rear number plate mounting ($\frac{1}{4}$ " UN.F.)	4
	H	28	60-2329 Washer — rear number plate mounting ($\cdot 270$ " \times $\cdot 562$ " \times $\cdot 036$ ")	4
	H	29	83-2726 Rear number plate	1
T SS H MX		30	27-8560 Washer — rear mudguard fixing ($\cdot 255$ " \times $\cdot 625$ " \times $\cdot 048$ ")	1
T SS H MX		31	14-1301 Nut — rear mudguard fixing ($\frac{1}{4}$ " UN.F.)	1
T SS H		32	60-2329 Washer — rear number plate bracket fixing, lower ($\cdot 270$ " \times $\cdot 562$ " \times $\cdot 036$ ")	2

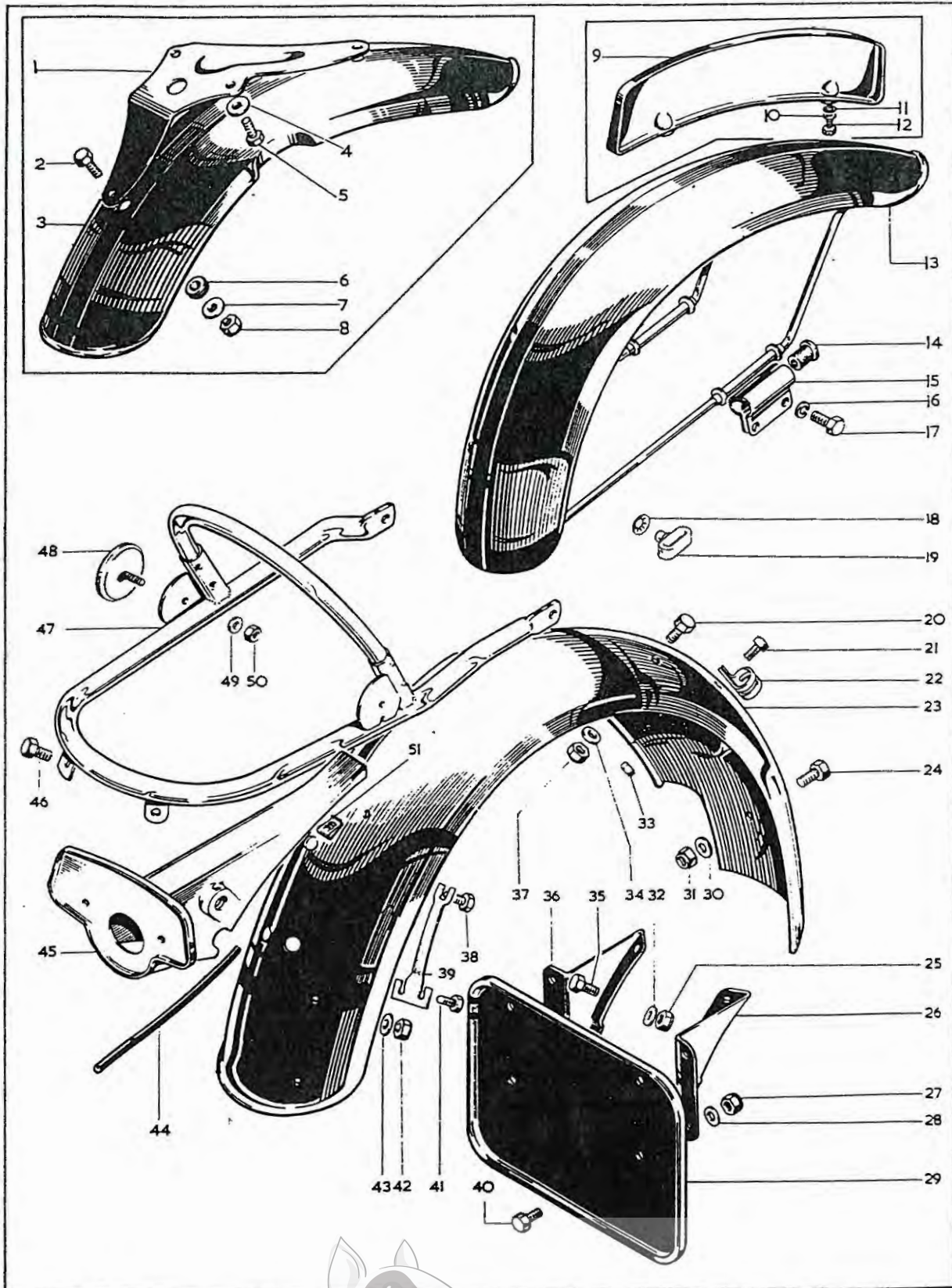


Plate 17—continued

MUDGUARDS — HANDRAIL

Model	Key No.	Spares No.	Description	Per Set
	MX	60-3370*	Grommet — rear mudguard	5
	MX	14-0103*	Bolt — mudguard fixing ($\frac{1}{4}$ " UN.F. $\times \frac{3}{4}$ ")	5
	MX	60-2347*	Washer — mudguard fixing ($\cdot 270" \times \cdot 625" \times \cdot 040"$)	5
	MX	14-1301*	Nut — mudguard fixing ($\frac{1}{4}$ " UN.F.)	5
T SS H	MX 33	82-4717	Nut — breather pipe clip (2 B.A.)	1
T SS H	34	27-8560	Washer — rear mudguard mounting ($\cdot 255" \times \cdot 625" \times \cdot 048"$)	4
T SS H	35	14-0101	Bolt — rear number plate fixing, lower ($\frac{1}{4}$ " UN.F. $\times \frac{1}{2}$ ")	2
T SS H	36	83-2727	Bracket — rear number plate mounting, left	1
T SS H	37	14-1301	Nut — mudguard mounting ($\frac{1}{4}$ " UN.F.)	4
T SS H	38	14-6101	Bolt — rear lamp mounting, front fixing ($\frac{1}{4}$ " UN.C. $\times \frac{1}{2}$ ")	1
T SS H	39	83-3254	Triple "C" washer — rear lamp mounting	1
	H 40	14-0101	Bolt — rear number plate fixing ($\frac{1}{4}$ " UN.F. $\times \frac{1}{2}$ ")	4
T SS H	41	14-0101	Bolt — rear lamp mounting, rear fixing ($\frac{1}{4}$ " UN.F. $\times \frac{1}{2}$ ")	2
T SS H	42	14-1301	Nut — support rail and number plate bracket fixing ($\frac{1}{4}$ " UN.F.)	2
T SS H	43	27-8560	Washer — support rail and rear number plate bracket fixing ($\cdot 255" \times \cdot 625" \times \cdot 048"$)	2
T SS H	44	83-3212	Rubber beading — rear lamp mounting	2
T SS H	45	83-2693	Rear lamp mounting	1
T SS H	46	14-0102	Bolt — support rail and rear number plate bracket fixing ($\frac{1}{4}$ " UN.F. $\times \frac{3}{8}$ ")	2
T SS H	47	83-3174	Support rail — rear mudguard	1
T SS H	48	19-1339	Reflector — rear, side (Lucas 57079)	2
T SS H	49	60-2391	Washer — reflector fixing ($\cdot 202" \times \cdot 391" \times \cdot 032"$)	2
T SS H	50	54-9017	Nut — reflector fixing (2 B.A.)	2
T SS H	51	60-3313	Spire nut — rear lamp mounting	1

*Not illustrated

For colour finish codes refer to page 5



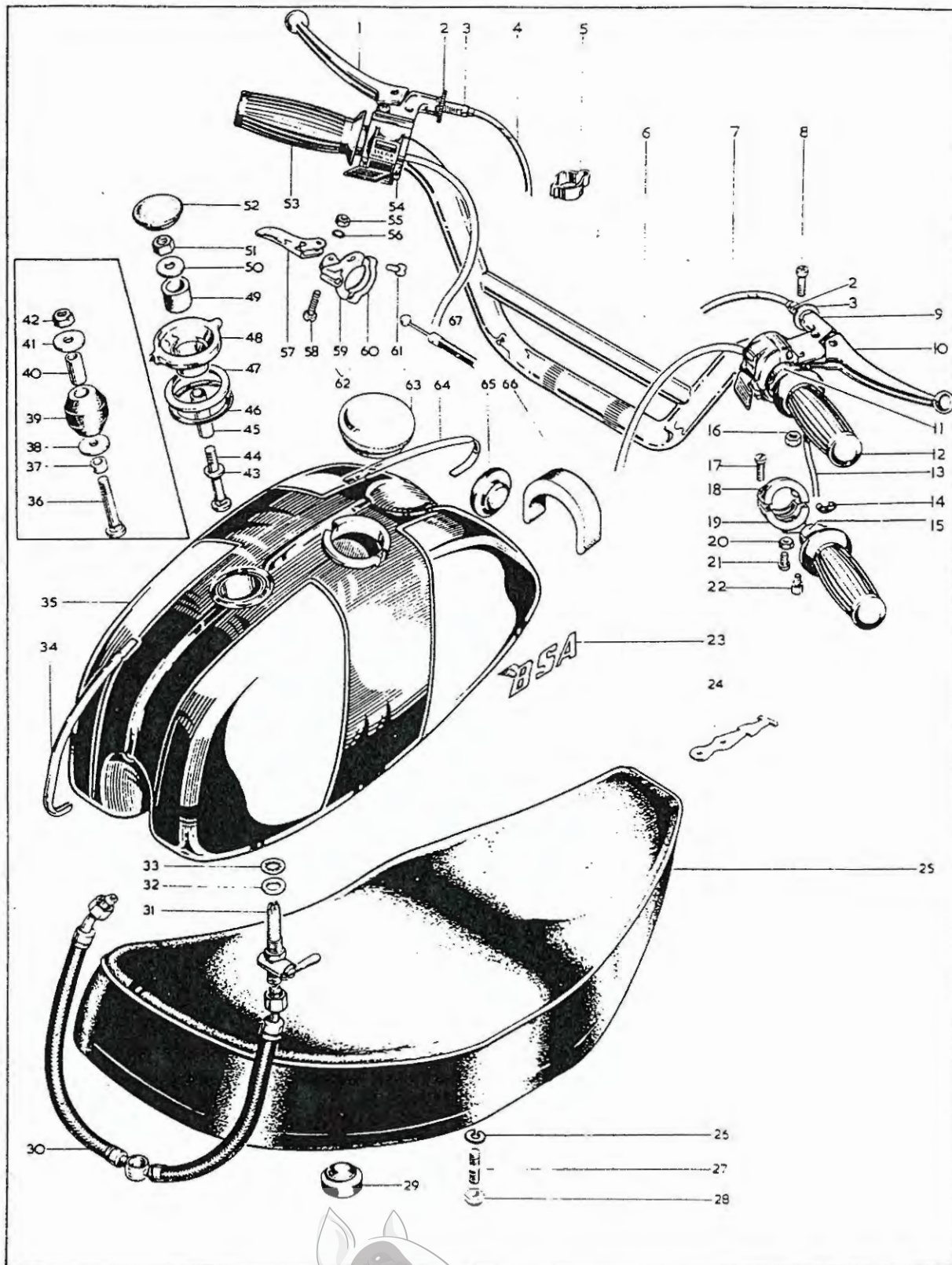


Plate 18

FUEL TANK — TWINSEAT — CONTROLS

Model	Key No.	Spares Number		Description	Per Set
		B.S.A. No.	Makers No.		
T SS H	1	60-3657		Lever — clutch control	1
MX	1	60-2242	19-952M	Lever — clutch control complete	1
T SS H	2	60-3586		Adjuster nut — control cables	2
T SS H	3	60-3585		Adjuster sleeve — control cables	2
T SS H MX	4	60-2083		Clutch cable	1
T SS H	5	97-4112		Clutch clip — handlebar	4
T MX	6	97-4062		Handlebar	1
SS H	6	97-4173		Handlebar	1
SS H	7	60-3817		Cable — front brake	1
T MX	7	60-3535		Cable — front brake	1
T SS H	8	21-2048		Pivot screw — control levers	2
T SS H	9	19-1332*	35956	Switch assembly — direction indicator	1
T SS H	10	60-3583		Lever — front brake	1
MX	10	60-2243	19-1098M	Front brake control lever complete	1
T SS H	11	19-7223	16/364	Throttle control	1
MX	11	19-7240		Throttle control	1
T SS H	12	19-7222		Rubber grip — right handlebar	1
MX	12	19-9526		Rubber grip — right handlebar	1
T SS H	13	40-8657		Cable — throttle control	1
MX	13	60-3499 - 60-3878		Cable — throttle control	1
T SS H	14		16/008	Friction spring	1
T SS H	15		16/091	Rotor — throttle control	1
T SS H	16	14-1301		Nut — pivot screw	2
T SS H	17		11/013	Clamp screw	2
T SS H	18		16/328	Body — top half	1
T SS H	19		16/329	Body — bottom half	1
T SS H	20		16/010	Nut — friction screw	1
T SS H	21		16/009	Screw — friction spring	1
T SS H	22		16/011	Cable stop — throttle control	1
T SS MX	23	60-3158		Transfer — fuel tank	2
MX	23	60-3736		Transfer — fuel tank	2
H	23	60-2568		Tank badge	2
H		21-2064		Screw — tank badge to tank	4
T SS H	24	90-9024		Cable clip — rubber, short	6



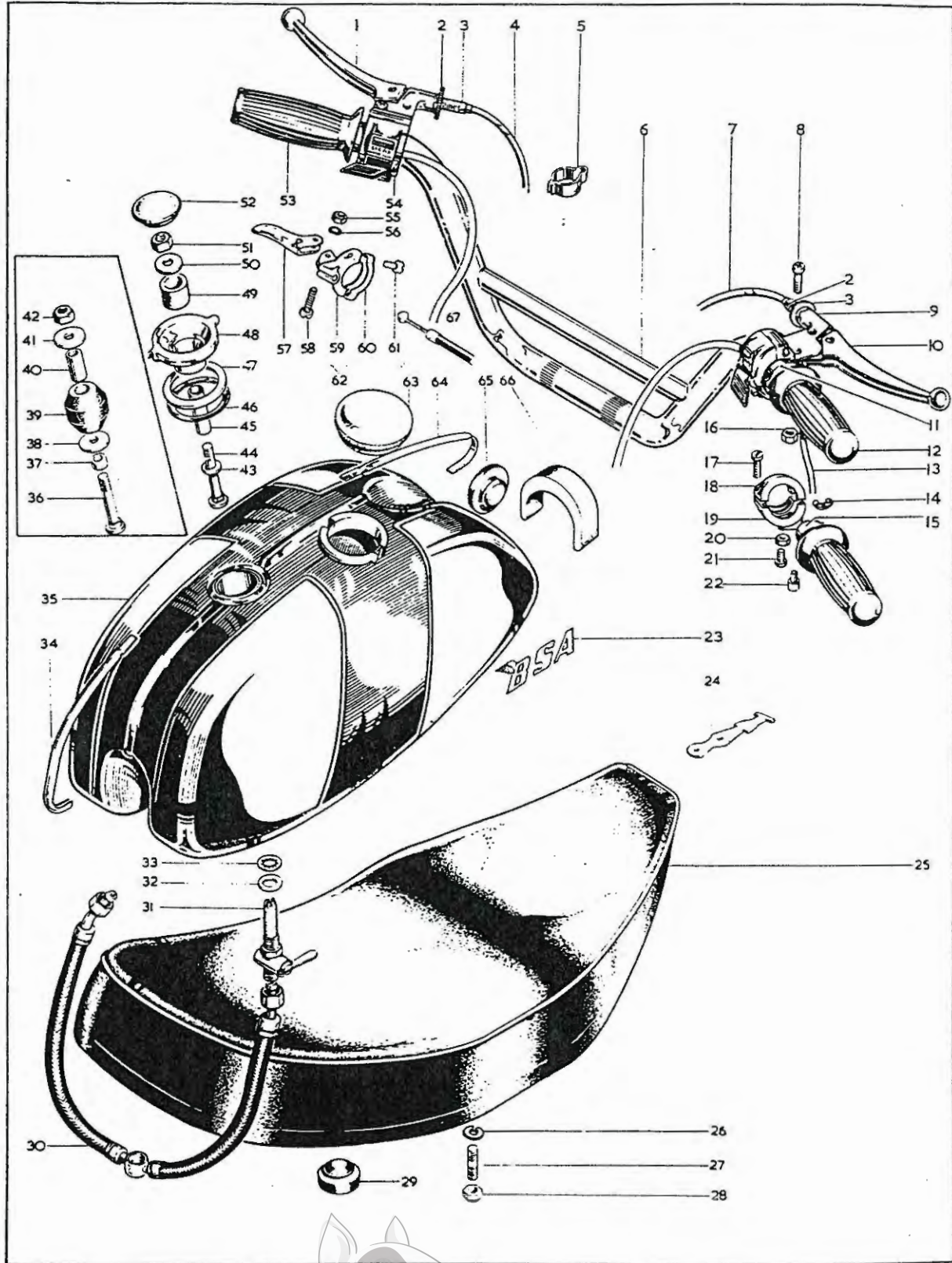


Plate 18—continued

FUEL TANK — TWINSEAT — CONTROLS

Model	Key No.	Spares No.	Description	Per Set	
T SS H	24	97-4297	Cable clip — frame	6	
T SS H	24	66-9049	Cable clip — rubber, long	12	
	MX	14-1302	Nut — front bracket to seat ($\frac{5}{16}$ " UN.F.)	2	
T SS	25	83-2621	Twinseat complete	1	
T SS		19-6060	Twinseat cover	1	
	H	25	83-3866	Twinseat complete	1
	H		19-6061	Twinseat cover	1
	MX	25	83-2746	Seat complete	1
	MX		19-6062	Seat cover	1
T SS H	26	60-2428	Spring washer — seat bolt ($\cdot 344$ " \times $\cdot 600$ " \times $\cdot 064$ ")	2	
T SS H	27	21-2109	Stud — seat fixing	2	
		28	14-0302	Nut — seat fixing	2
	MX		83-2742*	Front bracket — seat fixing ($\frac{5}{16}$ " UN.F.)	1
	MX		21-2166*	Stud — rear bracket to seat	2
	MX		14-0113*	Bolt — front fixing ($\frac{5}{16}$ " UN.F. \times $\frac{3}{4}$ ")	2
	MX		83-2745*	Distance piece — rear fixing	2
	MX		60-2428*	Spring washer ($\cdot 344$ " \times $\cdot 600$ " \times $\cdot 064$ ")	4
T SS H	29	76-9110	Buffer — twinseat mounting	2	
T SS H	30	83-3040	Fuel pipe	1	
	MX	30	83-3208	Fuel pipe	1
T SS H	31	83-2800	Fuel tap	1	
	MX	31	83-2800	Fuel tap	2
T SS H	31	83-2801	Fuel tap — reserve	1	
T SS H MX	32	83-0002	Washer — fuel tap	2	
T SS H MX	33	70-7351	Sealing washer — fuel tap	2	
	H	34	83-3180	Trim strip — fuel tank, rear	1
T	35	83-3946	Fuel tank — aluminium (2 gallon)	1	
	MX	35	83-2721	Fuel tank — aluminium (1 gallon)	1
	SS	35	83-3945	Fuel tank — steel (2 gallon)	1
	H	35	83-4320	Fuel tank — steel (3 gallon)	1
T SS MX	36	83-2776	Bolt — fuel tank, centre fixing	1	
T SS MX	37	82-7071	Distance collar — fuel tank, centre bolt	1	
T MX	38	03-0101	Washer — fuel tank, centre bolt ($\cdot 328$ " \times $1\cdot 125$ " \times $\cdot 092$ ")	1	
T SS MX	39	40-8085	Mounting rubber — fuel tank, centre bolt	2	
T SS MX	40	76-4120	Distance tube — fuel tank, centre bolt	1	
T MX	41	03-0101	Washer — fuel tank, centre bolt ($\cdot 328$ " \times $1\cdot 125$ " \times $\cdot 092$ ")	1	

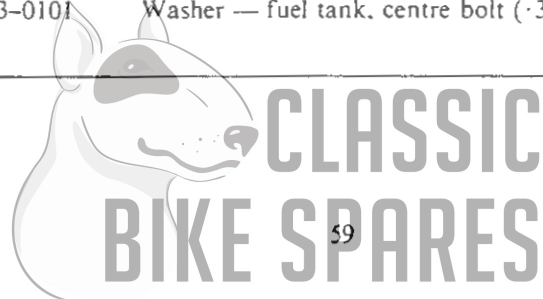


Plate 18—continued

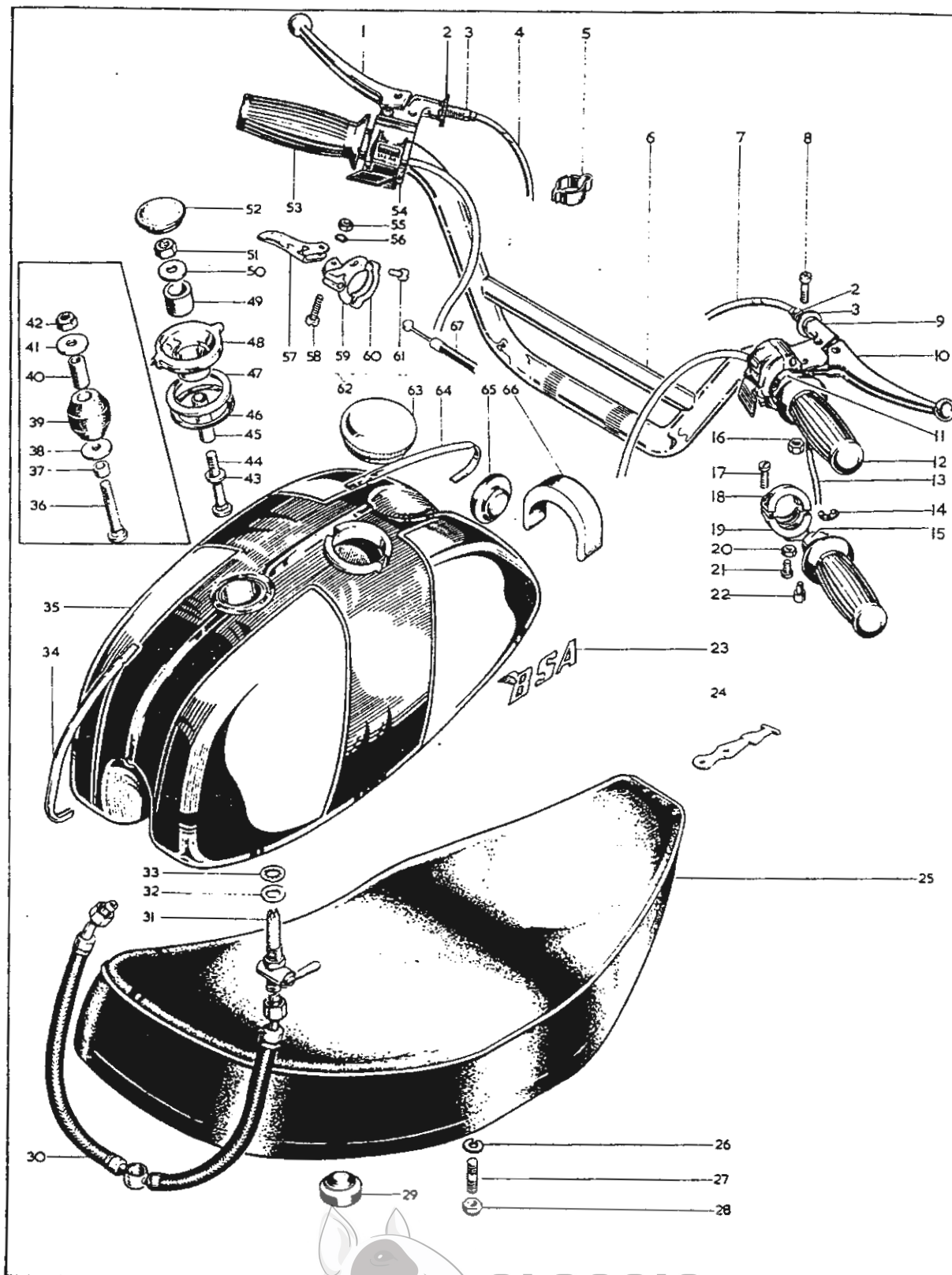


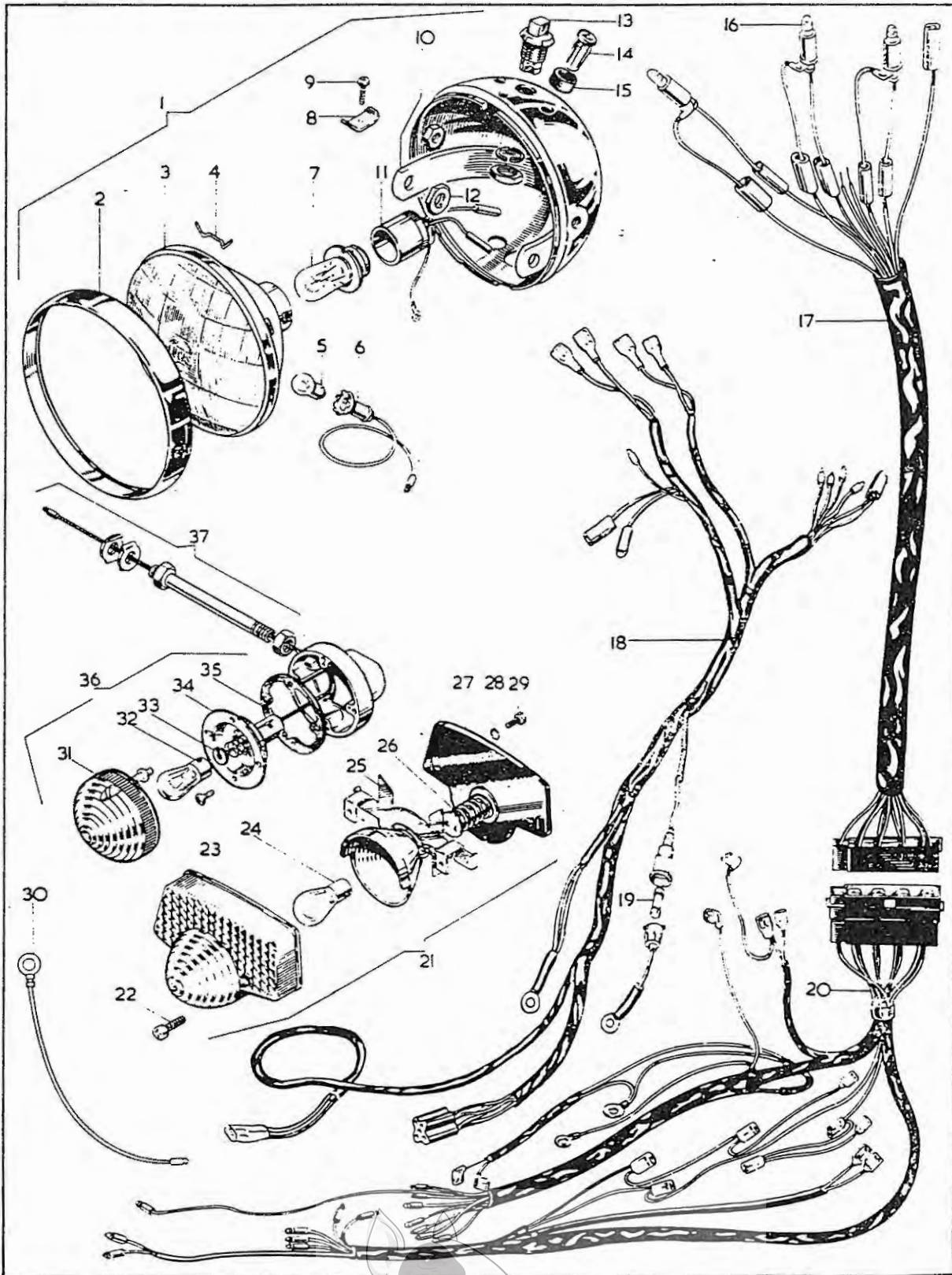
Plate 18—continued

FUEL TANK — TWINSEAT — CONTROLS

Model	Key No.	Spares Number		Description	Per Set
		B.S.A. No.	Makers No.		
T SS MX	42	14-0302		Nut — fuel tank, centre bolt ($\frac{1}{16}$ " UN.F.) ..	1
H	43	68-8016		Washer — fuel tank, centre bolt ..	1
H	44	83-3042		Bolt — fuel tank, centre fixing ..	1
H	45	41-8011		Distance tube — fuel tank, centre bolt ..	1
H	46	68-8013		Rubber ring — fuel tank mounting ..	1
H	47	68-8019		Mounting ring — fuel tank ..	1
H	48	82-9782		Trim strip holder ..	1
H	49	42-8017		Mounting rubber — fuel tank, centre bolt ..	1
SS	50	03-0101		Washer — fuel tank, centre bolt ..	1
H	51	21-1999		Nut — fuel tank, centre bolt ..	1
H	52	83-3068		Grommet — fuel tank, centre ..	1
T SS MX	52	83-3069		Grommet — fuel tank, centre ..	1
T SS H	53	19-7221		Rubber grip — left handlebar ..	1
MX	53	19-7241		Rubber grip — left handlebar ..	1
T SS H	54	19-1333	39595	Switch assembly — dip switch ..	1
T SS H MX	55	19-2763	18/060	Nut — exhaust lifter fulcrum screw ..	1
T SS H MX	56	19-3087		Washer — exhaust lifter fulcrum pin ..	1
T SS H MX	57	19-3085	18/871	Lever — exhaust lifter ..	1
T SS H MX	58	19-3084	11/014	Fulcrum screw — exhaust lifter lever ..	1
T SS H MX	59	19-3086	18/869	Bracket — exhaust lifter ..	1
T SS H MX	60	19-3083	12/064	Clamp — exhaust lifter ..	1
T SS H MX	61	19-3082	376/079	Screw — exhaust lifter clamp ..	1
T SS H MX	62	42-8611	18/864	Exhaust lifter control complete ..	1
SS H	63	83-3875		Filler cap — fuel tank ..	1
T MX	63	83-1547		Filler cap — fuel tank ..	1
H	64	83-3179		Trim strip — front ..	1
T SS H MX	65	82-9222		Rubber — fuel tank steady ..	2
T SS H MX	66	83-2980		Rubber — fuel tank mounting, front ..	1
T SS H MX	66	83-3563		Rubber — fuel tank mounting, rear ..	1
T SS H MX	67	60-3752		Cable — exhaust lifter control ..	1

*See page 65 for handlebar switch details

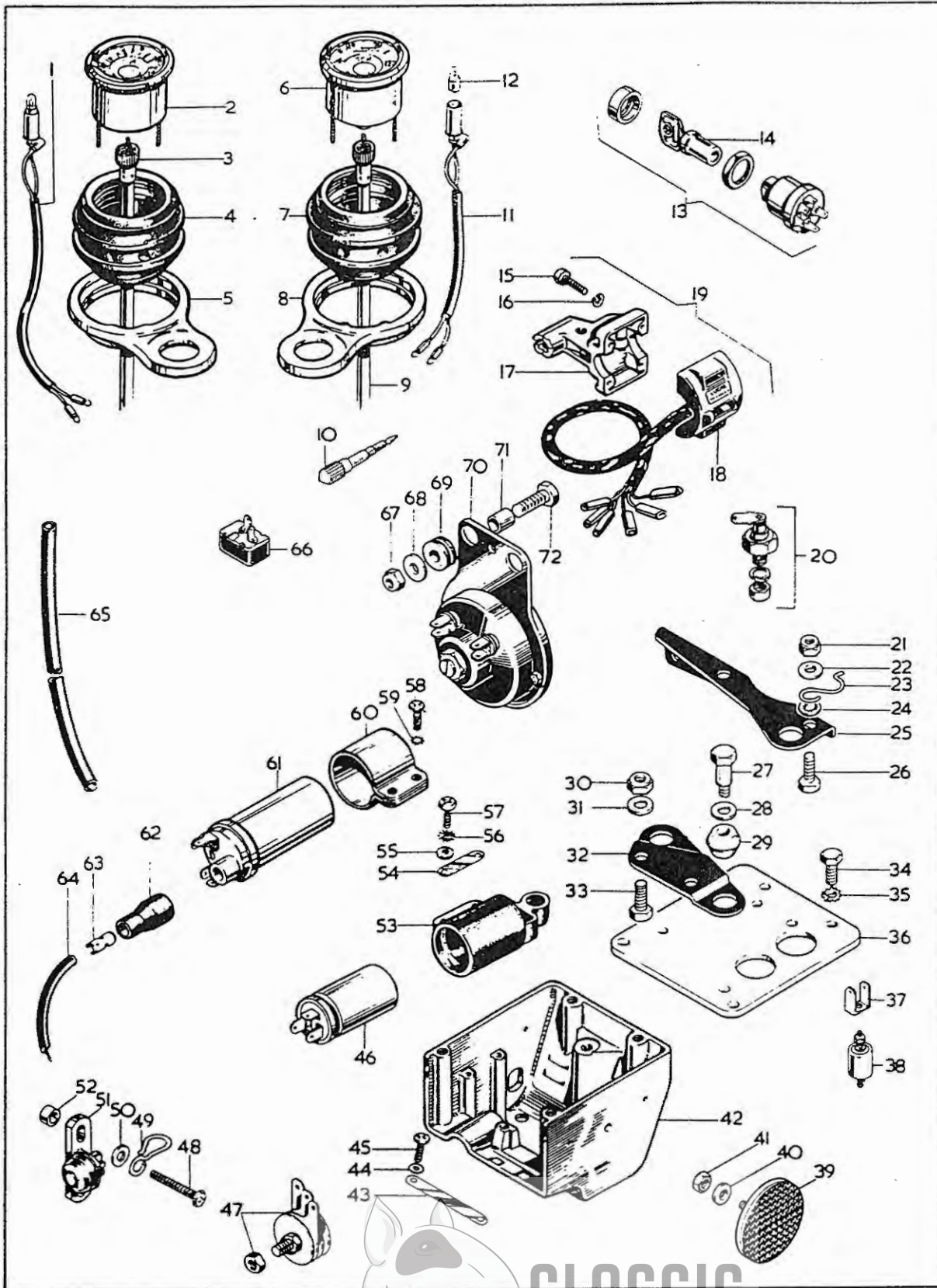




ELECTRICAL EQUIPMENT (PART 1)

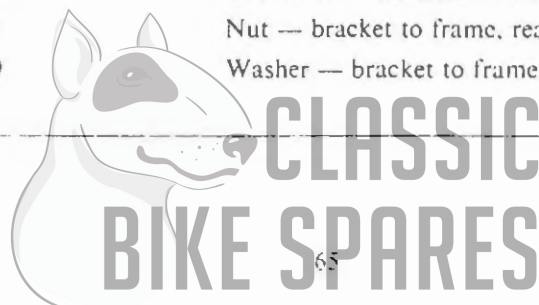
Model	Key No.	Spares Number		Description	Per Set
		BSA No.	Makers No.		
T SS H	1	19-1054	60262	Headlamp complete	1
T SS H	1	19-1275	60334	Headlamp complete — France	1
T SS H	2		553343	Headlamp rim	1
T SS H	3	19-1088	54525272	Light unit	1
T SS H	3	19-1276	54523659	Light unit — France	1
T SS H	4		504665	Clip — light unit fixing	6
T SS H	5		989	Bulb — pilot	1
T SS H	6		54573590	Bulb holder — pilot	1
T SS H	7		370	Bulb — main	1
T SS H	7		371	Bulb — main, for France	1
T SS H	8		534296	Plate — headlamp rim fixing	1
T SS H	9		144921	Screw — headlamp rim fixing	1
T SS H	10	97-4247		Bracket — headlamp interior support	1
T SS H	11		554602	Bulb holder — main	1
T SS H	12	14-0404		Nut — headlamp interior support fixing ($\frac{7}{16}$ " UN.F.)	2
T SS H	13	19-1095	31276	Switch — headlight	1
T SS H	14		54363453	Direction indicator warning light — amber	1
T SS H	14		54363455	Main beam warning light — green	1
T SS H	15		54525212	Rubber cup — warning lights	2
T SS H	16		281	Bulb — warning lights	3
T SS H	17	19-1096	54960713	Harness — headlamp to electrical box	1
T SS H	18	19-1270	54960721	Main harness	1
MX	18	19-1340	54959649	Ignition harness	1
T SS H	19	19-1249	188218	Fuse — main harness, 35 amp.	1
T SS H	20	19-1271	54960720	Harness — electrical box	1
T SS H	21	19-1245	53973	Rear lamp complete	1
T SS H	22		144921	Screw — rear lamp lens fixing	2
T SS H	23		54577109	Lens — rear lamp	1
T SS H	24		380	Bulb — rear lamp	1
T SS H	25		54525286	Base plate — rear lamp	1
T SS H	26		573828	Interior bulb holder — rear lamp	1
T SS H	27		54571677	Gasket — rear lamp lens backing	1
T SS H	28		188330	Washer — rear lamp fixing screw	2
T SS H	29		110714	Screw — rear lamp fixing	2
T SS H	30			Earth lead (included in main harness)	1
T SS H	31	19-1068	54581638	Lens assembly — direction indicator	4
T SS H	32		382	Bulb — direction indicator	4
T SS H	33		573832	Interior assembly — direction indicator	4
T SS H	34		554548	Bulb holder — direction indicator	4
T SS H	35		54580300	Gasket — direction indicator	4
T SS H	36	19-1067	56147	Direction indicator lamp complete	4
T SS H	37	97-4248		Stanchion — direction indicators, front	2
T SS H	37	83-3525		Stanchion — direction indicators, rear	2

Note:—Where no B.S.A. part number is quoted, that part is available only from the manufacturer.



ELECTRICAL EQUIPMENT (PART 2)

Model	Key No.	Spares Number		Description	Per Set
		BSA No.	Makers No.		
T SS H	1	19-9101	54959626	Light lead — tachometer	} optional 1
T SS H	2	19-8953	RSM3003/13	Tachometer	
T SS H	3	19-9110		Cable — tachometer drive	
T SS H	4	60-2600		Rubber cup — tachometer	
T SS H	5	97-4026		Mounting bracket — tachometer	
T SS H	6	19-8952	SSM5007/03	Speedometer — k.p.h.	1
SS H	6	19-8955	SSM5007/02	Speedometer — m.p.h.	1
T	6	19-8958		Speedometer — m.p.h., with reversible trip	1
T SS H	7	60-2600		Rubber cup — speedometer	1
T SS H	8	97-4026		Mounting bracket — speedometer	1
T SS H	9	19-9098		Cable — speedometer drive	1
T SS H	10	19-9080		Trip shaft — speedometer	1
T SS H	11	19-9101	54959626	Light lead — speedometer	1
T SS H	12		643	Bulb — speedometer and tachometer	1
T SS H	13	19-1269	39784	Switch — ignition and lights	1
T SS H	14	82-6981	1-6280	Lock and key — ignition and lights switch	1
T SS H	15		54115246	Screw — handlebar switch clamping	8
T SS H	16		185022	Washer — handlebar switch clamping	8
T SS H	17	19-1363	54340883	Lever half — switch assembly, left	1
T SS H	17	19-1364	54340882	Lever half — switch assembly, right	1
T SS H	18	19-1337	54033667	Switch half — switch assembly, direction indicator	1
T SS H	18	19-1334	54033666	Switch half — switch assembly, dip	1
T SS H	19	19-1332	39596	Switch assembly — direction indicator	1
T SS H	19	19-1333	39595	Switch assembly — dip	1
T SS H	20	19-1735	49345	Zener diode (ZD715)	1
T SS H	21	14-1301		Nut — bracket to frame, front ($\frac{1}{4}$ " UN.F.)	2
T SS H	22	60-2329		Washer — bracket to frame, front ($\cdot 270$ " \times $\cdot 562$ " \times $\cdot 036$ ")	2
T SS H	23	83-3543		Clip — speedometer and clutch cables	2
T SS H	24	29-0541		Shakeproof washer — earth lead fixing	1
T SS H	25	83-3814		Bracket — electrical box mounting, front	1
T SS H	26	14-0102		Bolt — bracket to frame, front ($\frac{1}{4}$ " UN.F. \times $\frac{3}{4}$ ")	2
T SS H	27	21-2128		Shouldered bolt — electrical box mounting	3
T SS H	28	02-0923		Washer — electrical box mounting ($\cdot 317$ " \times $\cdot 625$ " \times $\cdot 064$ ")	3
T SS H	29	60-3627		Grommet — electrical box mounting	3
T SS H	30	14-1301		Nut — bracket to frame, rear ($\frac{1}{4}$ " UN.F.)	2
T SS H	31	60-2329		Washer — bracket to frame, rear ($\cdot 270$ " \times $\cdot 562$ " \times $\cdot 036$ ")	2



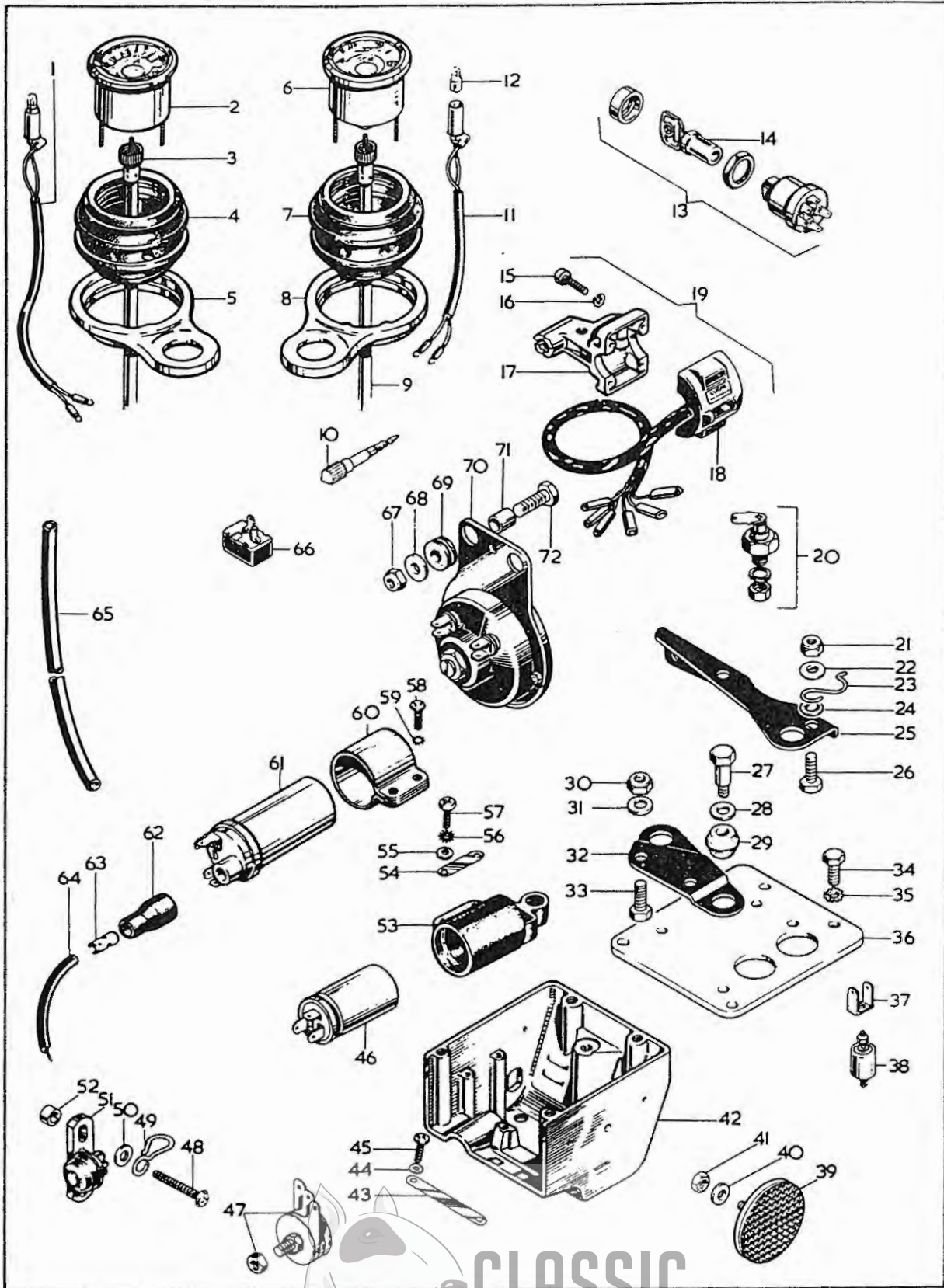


Plate 20—continued

ELECTRICAL EQUIPMENT (PART 2)

Model	Key No.	Spares Number		Description	Per Set
		BSA No.	Makers No.		
T SS H	32	83-3813		Bracket — electrical box mounting, rear	1
T SS H	33	14-0101		Bolt — rear bracket to frame ($\frac{1}{4}$ " UN.F. \times $\frac{1}{2}$ ") ..	2
T SS H	34	14-6101		Bolt — cover to electrical box ($\frac{1}{4}$ " UN.C. \times $\frac{1}{2}$ ") ..	4
T SS H	35	29-0541		Shakeproof washer — electrical box cover fixing	4
T SS H	36	83-3811		Cover — electrical box	1
	MX 37		54190108	Double "Lucar" connector blade	1
	MX 38	19-1747	54441582	Condenser	1
T SS H	38	19-1847	54420128	Condenser	1
T SS H	39	19-1345	57183	Reflector — electrical box (RER14)	2
T SS H	40	60-2391		Washer — reflector fixing ($\cdot 202$ " \times $\cdot 391$ " \times $\cdot 032$ ")	2
T SS H	41	82-4717		Nut — reflector fixing ($2\frac{1}{4}$ " B.A.)	2
T SS H	42	83-4103		Electrical box	1
T SS H	43	83-2670		Clamp strip — headlamp harness terminal ..	1
T SS H	44	76-0293		Washer — clamp strip ($\cdot 203$ " \times $\cdot 375$ " \times $\cdot 036$ ") ..	2
T SS H	45	21-1930		Screw — clamp strip	2
T SS H	46	19-1858	54170009	Capacitor (2MC)	1
T SS H	47	19-1715	49072	Rectifier (2DS506)	1
T SS H	48	75-0208		Screw — stop switch fixing	2
T SS H	49	47-9030		Clip — stop switch cable	1
T SS H	50	90-6219		Washer — stop switch fixing	2
T SS H	51	19-0916	34815	Stop switch — rear	1
T SS H	52	82-7044		Distance piece — stop switch	2
T SS H	53	19-1077	54422860	Moulding — capacitor condenser and flasher unit	1
T SS H	54	83-2669		Plate — capacitor moulding support	1
T SS H	55	76-0293		Washer — capacitor moulding ($\cdot 203$ " \times $\cdot 375$ " \times $\cdot 036$ ") 2	
T SS H	56	29-3319		Shakeproof washer — capacitor moulding ..	2
T SS H	57	21-2067		Screw — capacitor moulding	2
T SS H	58	21-2067		Screw — coil clamping	2
T SS H	59	29-3319		Shakeproof washer — coil clamping	2
T SS H	60		54419974	Coil clamp	1
T SS H	61	19-1881	45223	Coil — ignition (17M12)	1



ELECTRICAL EQUIPMENT (PART 2)

Model	Key No.	Spares Number		Description	Per Set
		BSA No.	Makers No.		
MX	61*	19-0456		Coil — energy transfer ignition	1
MX	61*	83-3306		Bracket — coil mounting	1
MX	61*	14-0214		Bolt — coil and bracket ($\frac{1}{4}$ " UN.F. \times 4")	1
MX	61*	14-0104		Bolt — coil to bracket ($\frac{1}{4}$ " UN.F. \times $\frac{3}{8}$ ")	1
MX	61*	14-0213		Bolt — bracket to frame ($\frac{1}{4}$ " UN.F. \times 3 $\frac{1}{2}$ ")	1
MX	61*	14-0102		Bolt — condenser fixing ($\frac{1}{4}$ " UN.F. \times $\frac{3}{8}$ ")	1
MX	61*	60-2427		Washer — condenser fixing (.281" \times .465" \times .064")	1
MX	61*	14-1301		Nut — coil bracket, frame, condenser fixing ($\frac{1}{4}$ " UN.F.)	4
T SS H	62		54949011	Rubber cap — high-tension lead	1
T SS H	63		421863	Clip — high-tension lead contact	1
T SS	64		54956424	High-tension lead	1
H	64		54956466	High-tension lead (suppressed)	1
T SS H	65	68-9163		Battery vent pipe	1
T SS H	66	19-1055	35048	Flasher unit (8FL)	1
T SS H	67	14-1301		Nut — horn fixing ($\frac{1}{4}$ " UN.F.)	2
T SS H	68	60-2347		Washer — horn fixing (.270" \times .625" \times .040")	4
T SS H	69	60-3161		Grommet — horn fixing	2
T SS H	70	19-2086	70228	Horn — 6H, high note	2
T SS H	71	83-3604		Distance piece — horn fixing	1
T SS H	72	14-0103		Bolt — horn fixing ($\frac{1}{4}$ " UN.F. \times $\frac{3}{8}$ ")	2
T SS H	*	19-1776	54027029	Battery (PUZ5A)	1

*Not illustrated.

Note:—Where no B.S.A. part number is quoted, that part is available only from the manufacturer.



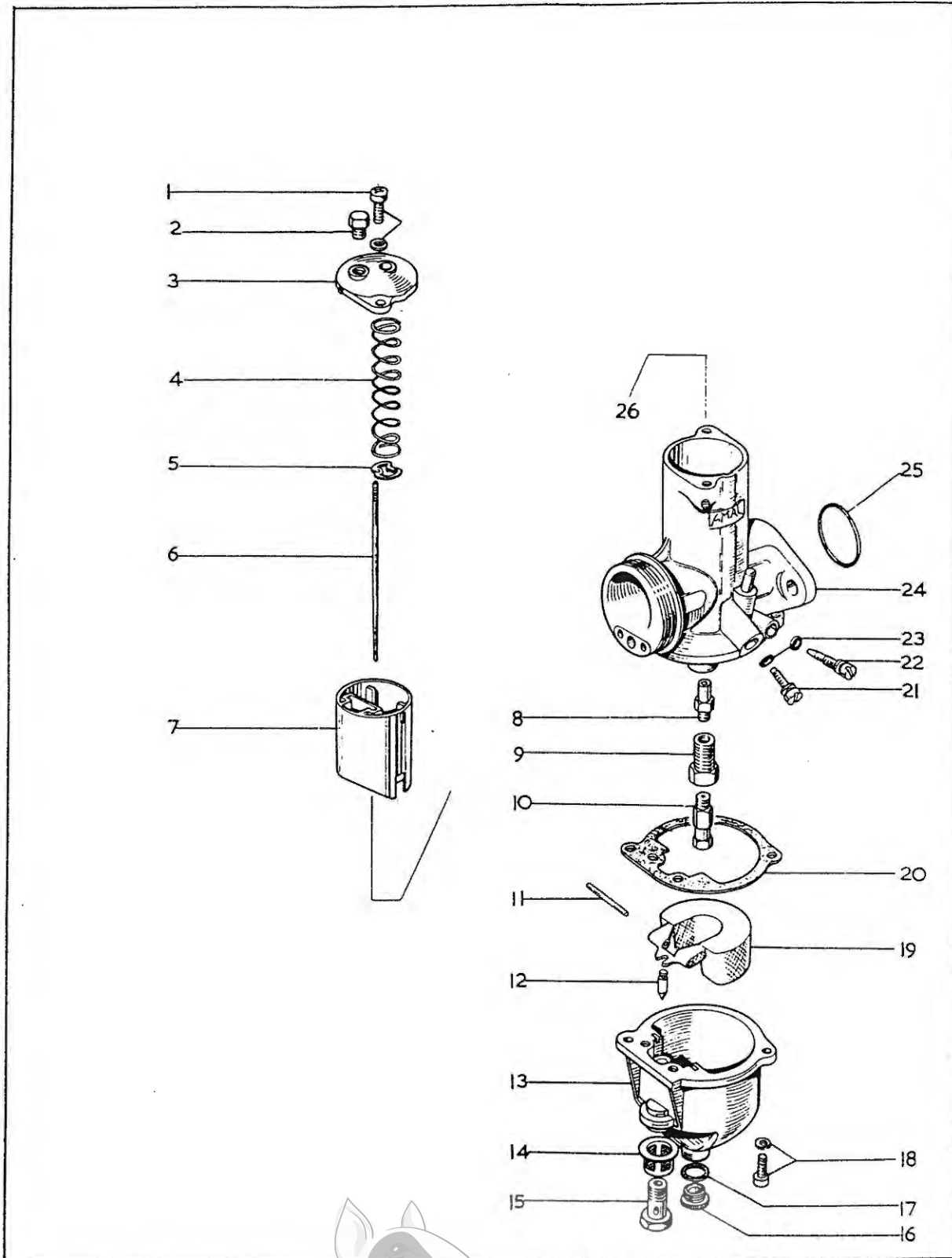


Plate 21

CARBURETTER

Model	Key No.	Spares Number		Description	Per Set
		B.S.A. No.	Makers No.		
T SS H MX	1	19-3093	622/086	Screw and washer — top cap	2
T SS H MX	2		4/137A	Screw plug — top cap	1
T SS H MX	3		928/097	Cap — mixing chamber	1
T SS H MX	4		622/131	Spring — throttle	1
T SS H MX	5	19-3095	622/067	Clip — throttle needle	1
T SS H MX	6	19-3137	622/124	Needle — throttle	1
T SS H MX	7	19-3127	928/060	Throttle slide (No. 3½ cutaway)	1
T SS H MX	8		622/122	Needle jet (.106)	1
T SS H MX	9		622/128	Jet holder	1
T SS H	10		376/100	Main jet (200 c.c.)	1
MX	10		376/100	Main jet (250 c.c.)	1
T SS H MX	11	19-3116	622/071	Float spindle	1
T SS H MX	12	19-3105	622/068	Float needle	1
T SS H MX	13	19-3143	622/055	Float chamber	1
T SS H MX	14	19-3048	376/093	Fuel filter	1
T SS H MX	15	19-3103	622/078	Banjo bolt	1
T SS H MX	16	19-3144	622/147	Drain plug	1
T SS H MX	17		622/151	Washer — drain plug	1
T SS H MX	18	19-3093	622/086	Screw and washer — float chamber to body	2
T SS H MX	19	19-3102	622/069	Float	1
T SS H MX	20	19-3106	622/073	Gasket — float chamber	1
T SS H MX	21		622/077	Screw — throttle stop	1
T SS H MX	22		622/076	Adjusting screw — pilot air	1
T SS H MX	23	19-3098	622/082	"O" ring — pilot air and throttle stop screws	2
T SS H MX	23	19-3090	622/101	"O" ring — carburetter flange	1
T SS H	24		R930	Carburetter body	1
MX	24		R932	Carburetter body	1
T SS H		19-2430	R930/2	Carburetter complete	1
MX		19-2429	R932/18	Carburetter complete	1
T SS H MX		19-2834	13/163	Washer — carburetter banjo	1
T SS H MX		71-1860		Adaptor — carburetter to air intake	1
T SS H MX	25	19-3090	622/101	"O" ring — carburetter to head	1



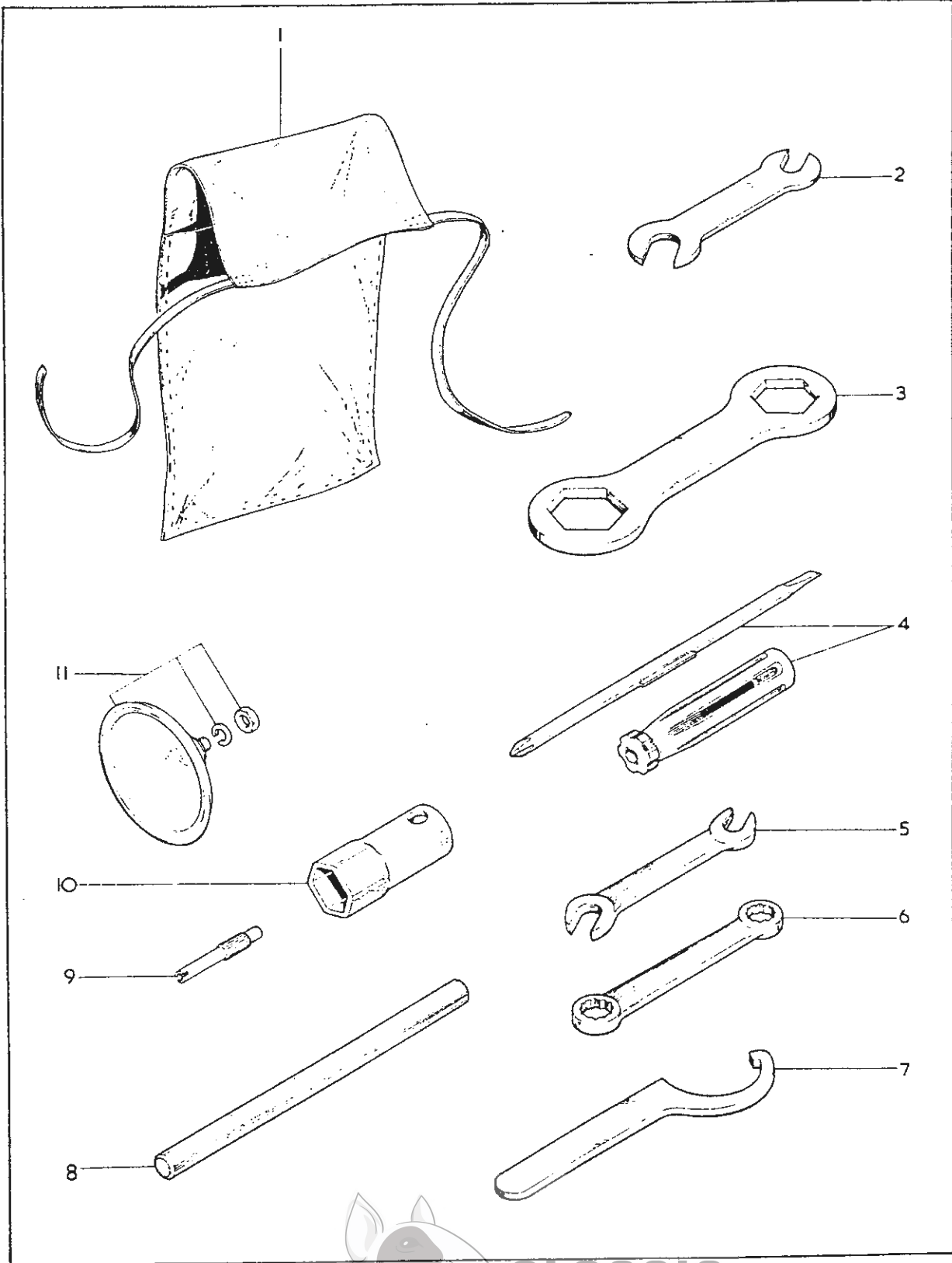


Plate 22

TOOLS — ACCESSORIES

Model	Key No.	Spares No.	Description	Per Set
T SS H	1	65-9132	Spanner	1
T SS H	2	60-0767	Screwdriver set	1
H	3	68-9464	Plug spanner	1
T SS H	4	60-2184	Suspension unit "C" spanner	1
T SS H MX	5	60-3711	Tommy bar	1
T SS H	6	60-1911	Tommy bar	1
T SS H	7	68-9467	Tyre valve key	1
H	8	19-5390	Licence holder complete	1
T SS H	9	75-9089	Tool roll	1
T SS H		60-2114	Tool roll complete with tools	1
T SS H		60-2084	Open-ended spanner	1
T SS H		60-1907	Ring spanner — small	1
T SS H		60-3647	Ring spanner — large	1

A COMPLETE RANGE OF B.S.A. SERVICE TOOLS IS CONTAINED IN THE SERVICE TOOL CATALOGUE, PUBLICATION No. 00-5726, AVAILABLE UPON REQUEST



NUMERICAL INDEX

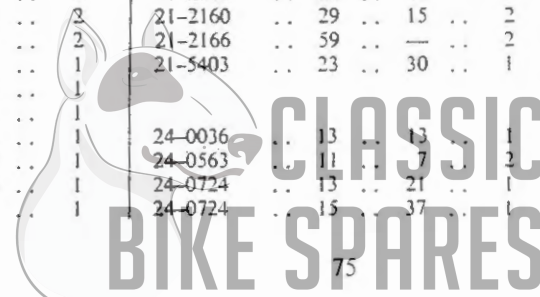
Spares number	Page number	Key number	Per set
00-3174	5	—	—
00-3174	5	—	—
00-3316	5	—	—
00-3316	5	—	—
00-5220	5	—	—
00-7007	5	—	—
00-7009	5	—	—
02-0370	37	—	1
02-0443	9	1	1
02-0525	9	2	1
02-0525	13	2	3
02-0525	17	32	4
02-0923	13	20	3
02-0923	17	2	2
02-0923	17	7	2
02-0923	65	28	3
02-2138	35	10	1
02-2138	35	17	1
02-2138	41	16	1
02-2138	41	26	4
03-0101	59	38	1
03-0101	59	41	1
03-0101	61	50	1
14-0101	37	—	2
14-0101	39	—	1
14-0101	53	20	4
14-0101	53	24	1
14-0101	55	35	2
14-0101	55	40	4
14-0101	55	41	2
14-0101	67	33	2
14-0102	39	—	2
14-0102	39	—	1
14-0102	39	6	2
14-0102	55	46	2
14-0102	65	26	2
14-0102	69	61	1
14-0103	35	16	1
14-0103	39	14	2
14-0103	53	17	4
14-0103	55	—	5
14-0103	69	72	2
14-0104	69	61	1
14-0113	37	39	1
14-0113	59	—	2
14-0114	29	21	4
14-0114	53	2	2
14-0115	37	—	1
14-0116	37	42	1
14-0126	29	4	2
14-0126	51	46	1
14-0134	45	11	1
14-0207	49	4	5
14-0208	23	23	1
14-0213	69	61	1
14-0214	69	61	1
14-0216	35	3	2
14-0216	35	28	2
14-0218	35	33	1
14-0221	33	28	1
14-0234	33	24	4
14-0236	41	2	1
14-0239	43	36	2
14-0240	43	36	2
14-0252	29	10	1

Spares number	Page number	Key number	Per set
14-0302	9	5	2
14-0302	11	14	2
14-0302	17	1	2
14-0302	17	6	2
14-0302	43	44	8
14-0302	59	28	2
14-0302	61	42	1
14-0304	11	41	4
14-0305	51	28	1
14-0401	27	22	1
14-0401	39	23	1
14-0402	9	5	2
14-0404	63	12	2
14-1019	43	47	2
14-1203	41	25	2
14-1301	17	9	1
14-1301	23	34	1
14-1301	31	38	2
14-1301	31	50	2
14-1301	35	15	1
14-1301	37	—	2
14-1301	39	—	1
14-1301	39	17	2
14-1301	49	9	5
14-1301	53	25	2
14-1301	53	27	4
14-1301	53	31	1
14-1301	55	—	5
14-1301	55	37	4
14-1301	55	42	2
14-1301	57	16	2
14-1301	65	21	2
14-1301	65	30	2
14-1301	69	61	4
14-1301	69	67	2
14-1302	9	16	2
14-1302	37	36	1
14-1302	21	17	1
14-1302	29	27	4
14-1302	31	37	2
14-1302	33	12	1
14-1302	35	5	2
14-1302	35	29	2
14-1302	37	36	1
14-1302	37	45	2
14-1302	53	8	2
14-1302	59	—	2
14-1303	29	22	1
14-1303	29	32	2
14-1303	33	5	1
14-1303	33	27	4
14-1303	35	9	1
14-1303	35	20	1
14-1303	35	24	2
14-1303	41	15	1
14-1303	45	16	1
14-1303	45	19	1
14-1303	47	28	1
14-1303	51	25	1
14-1303	51	44	1
14-1304	29	29	1
14-1304	33	9	2
14-1304	45	9	1
14-1304	45	15	1
14-1307	51	23	1
14-1401	17	31	4
14-1606	17	19	1

Spares number	Page number	Key number	Per set
14-1619	9	19	2
14-1635	47	33	1
14-1901	13	1	3
14-1901	17	17	3
14-1901	17	33	4
14-1901	39	19	1
14-2203	37	37	5
14-6101	33	30	1
14-6101	55	38	1
14-6101	67	34	4
14-6102	15	41	1
14-6114	53	5	2
14-6219	13	19	3
14-6219	41	4	4
14-6502	15	35	4
14-6606	23	14	2
14-6606	25	47	1
14-6608	25	70	1
14-6610	23	8	4
14-6610	25	46	1
14-6610	27	11	8
14-6611	25	37	1
14-6612	25	39	1
14-6612	25	57	2
14-6614	25	40	1
14-7308	41	31	1
14-7804	27	29	1
15-5155	9	3	1
15-5155	37	43	4
19-0456	69	61	1
19-0916	67	51	1
19-1054	63	1	1
19-1055	69	66	1
19-1067	63	36	4
19-1068	63	31	4
19-1077	67	53	1
19-1088	63	3	1
19-1095	63	13	1
19-1096	63	17	1
19-1245	63	21	1
19-1249	63	19	1
19-1259	15	52	1
19-1262	15	52	1
19-1269	65	13	1
19-1270	63	18	1
19-1271	63	20	1
19-1275	63	1	1
19-1276	63	3	1
19-1332	7	9	1
19-1332	65	19	1
19-1333	61	54	1
19-1333	65	19	1
19-1334	65	18	1
19-1337	65	18	1
19-1339	55	48	2
19-1340	63	18	1
19-1345	67	39	2
19-1363	65	17	1
19-1364	65	17	1
19-1715	67	47	1
19-1735	65	20	1
19-1747	67	38	1
19-1776	69	—	1
19-1847	67	38	1
19-1849	23	19	1

NUMERICAL INDEX—continued

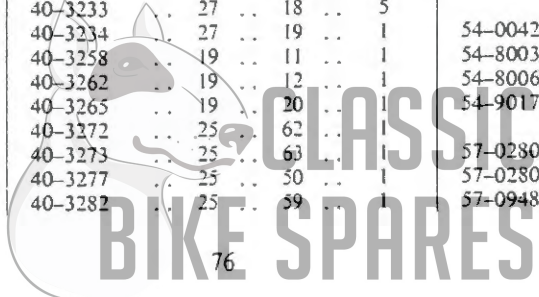
Spares number	Page number	Key number	Per set	Spares number	Page number	Key number	Per set	Spares number	Page number	Key number	Per set
19-1852	23	24	1	19-8955	65	6	1	24-1088	33	20	2
19-1858	67	46	1	19-8958	65	6	1	24-1088	51	34	1
19-1881	67	61	1	19-9080	65	10	1	27-6810	45	1	40
19-1906	23	18	1	19-9098	65	9	1	27-6810	47	16	40
19-1922	23	18	1	19-9101	65	1	1	27-6810	49	18	40
19-2086	69	70	2	19-9101	65	11	1	27-8560	39	18	2
19-2429	5	—	—	19-9110	65	3	1	27-8560	53	30	1
19-2429	71	—	1	19-9223	49	15	1	27-8560	55	34	4
19-2430	5	—	—	19-9224	49	15	1	27-8560	55	43	2
19-2430	71	—	1	19-9526	57	12	1	29-0541	17	10	1
19-2763	61	55	1	21-0578	41	11	1	29-0541	39	21	2
19-2834	71	—	1	21-0597	17	19	2	29-0541	65	24	1
19-3048	71	14	1	21-0671	29	20	1	29-0541	67	35	4
19-3082	61	61	1	21-0755	29	12	1	29-3319	67	56	2
19-3083	61	60	1	21-1809	41	8	2	29-3319	67	59	2
19-3084	61	58	1	21-1872	13	17	1	29-3857	19	2	1
19-3085	61	57	1	21-1890	17	3	2	29-3857	19	2	1
19-3086	61	59	1	21-1890	17	3	2	29-5853	45	30	16
19-3087	61	56	1	21-1894	15	48	1	29-5853	35	31	2
19-3090	71	23	1	21-1895	13	6	1	37-0653	45	7	1
19-3090	71	25	1	21-1896	13	5	1	37-0653	45	33	1
19-3093	71	1	2	21-1899	25	69	1	37-0653	47	3	1
19-3093	71	18	2	21-1908	37	36	1	37-0653	47	10	1
19-3095	71	5	1	21-1908	37	36	1	37-0653	49	2	1
19-3098	71	23	2	21-1930	67	45	2	37-0653	49	11	1
19-3102	71	19	1	21-1943	27	25	1	37-1237	45	34	1
19-3103	71	15	1	21-1999	61	51	1	37-1237	47	2	1
19-3105	71	12	1	21-2015	29	26	1	37-1340	49	11	1
19-3106	71	20	1	21-2033	11	39	4	37-1467	51	31	1
19-3116	71	11	1	21-2034	11	16	2	37-1481	45	32	1
19-3127	71	7	1	21-2039	13	29	1	37-1481	47	4	1
19-3137	71	6	1	21-2042	17	8	2	37-1654	49	12	1
19-3143	71	13	1	21-2044	23	13	1	37-2058	45	23	1
19-3144	71	16	1	21-2045	35	12	1	37-2058	47	24	1
19-5305	33	25	4	21-2048	57	8	2	37-2085	29	13	1
19-5390	73	8	1	21-2060	31	43	2	37-2328	51	40	2
19-6060	59	—	1	21-2062	41	18	2	37-3468	49	17	2
19-6061	59	—	1	21-2063	45	15	1	37-3584	45	3	1
19-6062	59	—	1	21-2064	57	—	4	37-3655	47	34	1
19-7221	61	53	1	21-2066	15	54	1	37-3694	45	18	1
19-7222	57	12	1	21-2067	67	57	2	37-3695	45	38	10
19-7223	57	11	1	21-2067	67	58	2	37-3696	45	37	10
19-7241	57	11	1	21-2077	33	8	2	37-3697	45	36	20
19-7241	61	53	1	21-2092	9	30	2	37-3704	45	24	1
19-7456	33	23	2	21-2094	35	23	1	37-3724	51	22	10
19-7458	33	22	2	21-2102	43	48	8	37-3725	49	21	10
19-7460	33	22	2	21-2105	33	2	1	37-3726	47	15	20
19-7466	47	35	2	21-2109	59	27	2	37-3726	49	20	20
19-7467	47	36	10	21-2109	59	27	2	37-3735	5	—	—
19-7474	33	23	2	21-2111	17	34	1	37-3735	47	—	1
19-7606	11	6	1	21-2117	21	24	2	37-3741	49	5	1
19-7616	11	6	1	21-2117	21	24	2	37-3749	49	3	1
19-7641	11	5	1	21-2128	65	27	3	37-3750	49	14	1
19-7707	45	29	2	21-2133	9	27	2	37-3751	49	13	1
19-7740	51	42	2	21-2134	9	29	2	37-3752	49	1	1
19-7741	47	21	2	21-2135	9	13	3	37-3753	49	10	1
19-7742	47	20	2	21-2137	31	47	2	37-3759	45	8	1
19-7743	47	18	2	21-2153	27	14	2	37-3759	47	11	1
19-7744	47	19	2	21-2160	29	11	1	37-3761	47	23	2
19-7745	47	38	2	21-2160	29	15	2	37-3762	47	22	2
19-8019	15	51	1	21-2166	59	—	2	37-3780	5	—	—
19-8683	27	32	1	21-5403	23	30	1				
19-8698	49	6	1								
19-8701	49	6	1								
19-8711	49	6	1								
19-8952	65	6	1								
19-8953	65	2	1								
				24-0036	13	13	1				
				24-0563	11	7	2				
				24-0724	13	21	1				
				24-0724	15	37	1				



CLASSIC
BIKE SPARES

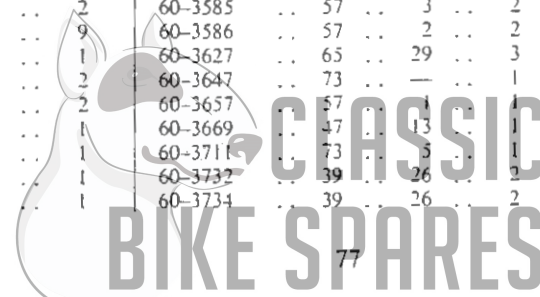
NUMERICAL INDEX—continued

Spares number	Page number	Key number	Per set	Spares number	Page number	Key number	Per set	Spares number	Page number	Key Number	Per set
37-3780	49	—	1	40-0159	11	2	2	40-3283	25	55	1
37-3784	49	19	1	40-0159	11	4	2	40-3291	21	20	1
37-3785	47	17	1	40-0162	11	1	2	40-3292	19	19	1
37-3785	49	19	1	40-0208	9	9	1	40-3292	25	53	1
37-3791	5	—	—	40-0222	23	6	1	40-3321	21	12	1
37-3791	45	—	1	40-0236	25	36	3	40-3323	21	10	1
37-3792	5	—	—	40-0242	13	24	2	40-4080	37	48	1
37-3792	45	—	1	40-0243	15	46	1	40-4850	35	22	2
37-3793	5	—	—	40-0246	15	44	6	40-8085	59	39	2
37-3793	45	31	1	40-0292	11	11	1	40-8322	39	29	1
37-3795	45	2	1	40-0294	11	43	2	40-8323	39	30	1
37-3796	45	4	1	40-0296	11	10	1	40-8331	39	27	1
37-3796	47	6	1	40-0309	9	11	1	40-8657	57	13	1
37-3797	45	6	1	40-0385	23	12	1	40-9190	15	47	1
37-3797	47	8	1	40-0394	19	1	2				
37-3798	45	26	1	40-0417	9	4	1	41-0143	15	49	1
37-3799	45	25	1	40-0455	13	30	1	41-0146	15	50	1
37-3804	45	27	2	40-0679	23	9	1	41-0551	11	23	1
37-3816	47	14	10	40-0682	23	20	2	41-0560	13	28	1
37-3817	47	12	10	40-0683	23	21	2	41-0565	13	33	1
37-3848	5	—	—	40-0705	13	3	1	41-0567	13	32	1
37-3848	47	5	1	40-0862	23	2	1	41-0569	13	31	1
37-3857	51	35	1	40-0968	9	34	2	41-0588	11	21	2
37-3870	51	37	1	40-0969	9	33	2	41-0603	17	11	1
37-3872	51	36	1	40-0977	23	3	1	41-0609	17	20	4
37-3877	51	27	1	40-1033	17	4	1	41-0639	11	40	4
37-3880	51	32	1	40-1037	21	27	1	41-0673	13	4	1
37-3907	5	—	—	40-2705	39	—	1	41-0706	17	25	1
37-3907	49	7	1	40-2705	39	15	4	41-0807	11	3	1
37-3908	5	—	—	40-3007	19	9	1	41-3045	19	21	2
37-3908	49	7	1	40-3019	19	6	1	41-3054	19	23	1
37-3909	49	12	1	40-3020	19	4	1	41-3063	19	7	1
37-3925	51	38	1	40-3032	21	21	1	41-3065	19	8	1
37-3926	51	39	1	40-3033	21	22	1	41-3068	19	17	1
37-3932	47	9	1	40-3042	21	5	1	41-3070	19	16	1
37-3957	5	—	—	40-3043	21	4	1	41-3072	19	18	1
37-3957	49	—	1	40-3044	21	7	2	41-3073	19	13	1
37-3958	5	—	—	40-3044	53	12	2	41-3074	19	18	1
37-3958	49	—	1	40-3045	21	6	1	41-3078	19	15	1
37-3959	5	—	—	40-3051	17	38	1	41-3089	19	8	1
37-3959	49	—	1	40-3059	21	13	2	41-3091	27	26	4
37-3960	5	—	—	40-3061	21	15	1	41-3092	17	36	1
37-3960	49	—	1	40-3073	23	28	1	41-3094	17	36	1
37-3969	45	39	1	40-3084	25	43	1	41-3209	27	41	1
37-3969	47	39	1	40-3085	25	44	1	41-3212	27	31	8
37-3970	45	39	1	40-3119	19	6	1	41-3215	27	27	4
37-3970	47	39	1	40-3120	19	6	1	41-8011	61	45	1
37-3977	49	16	1	40-3121	17	37	1				
37-3986	47	32	1	40-3126	19	4	1	42-0157	41	5	4
37-3987	47	26	1	40-3127	19	4	1	42-4925	35	1	2
37-3991	5	—	—	40-3150	27	36	1	42-5836	45	21	1
37-3991	49	—	1	40-3155	21	14	2	42-5840	51	43	16
37-3992	49	5	1	40-3193	21	9	2	42-8017	61	49	1
37-3996	47	27	1	40-3194	21	11	1	42-8611	61	62	1
37-3997	47	37	1	40-3206	27	33	25				
37-4014	47	31	1	40-3220	27	17	5	47-9030	67	49	1
37-4034	51	27	1	40-3221	27	20	1				
37-4049	51	32	1	40-3227	27	21	1	53-3049	23	1	1
37-4071	51	41	2	40-3233	27	18	5				
				40-3234	27	19	1	54-0042	23	26	2
40-0028	23	7	1	40-3258	19	11	1	54-8003	37	—	1
40-0148	11	13	2	40-3262	19	12	1	54-8006	31	45	1
40-0156	11	44	2	40-3265	19	20	1	54-9017	55	50	2
40-0157	11	9	2	40-3272	25	62	1				
40-0157	35	25	2	40-3273	25	63	1	57-0280	45	35	1
40-0157	51	45	1	40-3277	25	50	1	57-0280	47	1	1
40-0158	11	12	2	40-3282	25	59	1	57-0948	17	5	1



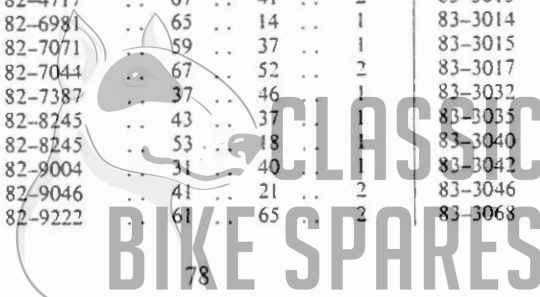
NUMERICAL INDEX—continued

Spares number	Page number	Key number	Per set	Spares number	Page number	Key number	Per set	Spares number	Page number	Key number	Per set
57-2166	27	1	1	60-2332	29	30	1	60-3736	57	23	2
57-2641	25	38	1	60-2332	45	10	1	60-3745	27	12	1
57-2642	25	48	1	60-2332	45	14	1	60-3752	61	67	1
57-2646	25	42	1	60-2333	41	19	2	60-3755	25	58	1
57-2652	23	31	1	60-2336	41	30	1	60-3817	57	7	1
57-2750	25	54	1	60-2338	41	9	2				
57-2759	25	41	1	60-2339	33	11	1	62-0263	21	26	1
57-2764	23	31	1	60-2340	47	29	1				
57-3764	25	67	1	60-2347	31	42	4	65-2494	9	23	2
57-3850	21	8	1	60-2347	55	—	5	65-2495	9	24	2
57-3854	21	23	1	60-2347	69	68	4	65-5883	15	40	1
57-3872	19	3	1	60-2348	53	4	2	65-5904	45	28	2
57-3874	19	13	1	60-2348	53	7	2	65-9132	73	1	1
57-3876	19	5	1	60-2363	25	60	1				
57-3877	19	14	1	60-2364	23	11	1	66-0492	11	18	1
57-3931	27	37	1	60-2364	25	45	1	66-3074	25	68	2
57-4019	27	16	1	60-2391	55	49	2	66-3074	27	15	2
57-4121	27	24	4	60-2391	67	40	2	66-7518	15	42	1
57-4189	27	23	1	60-2417	33	31	1	66-9049	59	24	12
57-4200	27	35	1	60-2427	31	49	2				
57-4302	5	—	—	60-2427	39	—	2	67-0645	47	30	2
57-4302	27	—	1	60-2427	39	20	1	67-1236	21	1	1
57-4303	27	38	1	60-2427	53	16	4	67-1391	17	21	1
57-4306	17	36	1	60-2427	69	61	1				
57-4336	25	61	1	60-2428	9	6	9	68-0155	11	8	2
57-4338	25	49	1	60-2428	43	45	8	68-0289	9	35	1
57-4339	23	15	1	60-2428	59	26	2	68-0289	23	4	1
57-4341	25	52	1	60-2428	59	—	4	68-0331	23	22	1
57-4342	25	51	1	60-2431	51	29	1	68-0331	37	38	5
57-4343	23	16	1	60-2568	57	23	2	68-0597	53	11	2
57-4344	19	10	1	60-2600	65	4	1	68-0839	27	5	1
57-4357	23	32	1	60-2600	65	7	1	68-0931	9	21	2
57-4452	25	64	1	60-2601	39	2	1	68-0938	17	18	3
57-4454	21	16	1	60-2630	41	20	2	68-4577	31	41	1
57-4507	27	43	4	60-2632	45	5	1	68-4597	31	39	1
57-4508	27	39	1	60-2632	47	7	1	68-4708	33	1	1
57-4510	27	42	1	60-2639	47	25	2	68-4835	35	30	2
57-4511	27	40	1	60-2683	35	13	1	68-4925	29	8	1
				60-2683	45	20	1	68-5050	41	7	1
60-0767	73	2	1	60-2724	21	19	1	68-8013	61	46	1
60-1841	33	19	2	60-3143	57	10	1	68-8016	61	43	1
60-1841	51	33	1	60-3144	57	1	1	68-8019	61	47	1
60-1907	73	—	1	60-3158	57	23	2	68-8343	39	31	4
60-1911	73	6	1	60-3159	39	9	2	68-9115	39	8	2
60-2083	57	4	1	60-3160	39	12	2	68-9163	69	65	1
60-2084	73	—	1	60-3161	39	16	2	68-9464	73	3	1
60-2114	73	—	1	60-3160	39	12	2	68-9467	73	7	1
60-2184	73	4	1	60-3161	39	16	2				
60-2242	57	1	1	60-3161	69	69	2	70-1670	21	2	1
60-2243	57	10	1	60-3242	53	6	2	70-3751	29	5	1
60-2320	23	33	1	60-3313	55	51	1	70-3789	15	45	1
60-2320	49	8	5	60-3370	55	—	5	70-6026	19	24	1
60-2322	33	26	4	60-3483	39	—	1	70-7351	59	33	2
60-2329	31	48	2	60-3499	57	13	1	70-7354	23	27	2
60-2329	33	32	1	60-3530	17	35	1	70-7821	9	17	1
60-2329	53	28	4	60-3535	57	7	1	70-7850	11	31	1
60-2329	53	32	2	60-3536	39	10	1	70-8315	17	27	1
60-2329	65	22	2	60-3583	57	10	1	70-8737	23	25	1
60-2329	65	31	2	60-3585	57	3	2	70-8770	29	16	2
60-2330	9	7	9	60-3586	57	2	2	70-8770	29	19	2
60-2330	21	18	1	60-3627	65	29	3	70-8770	29	23	2
60-2330	31	36	2	60-3647	73	—	1	70-8782	27	2	2
60-2331	29	33	2	60-3657	57	1	1	70-8896	13	18	1
60-2331	45	17	1	60-3669	47	13	1	70-9382	13	9	1
60-2331	45	22	1	60-3711	73	5	1	70-9383	13	15	1
60-2331	51	26	1	60-3732	39	26	2	70-9384	13	23	1
60-2332	29	9	1	60-3734	39	26	2	70-9429	13	16	1



NUMERICAL INDEX—continued

Spares number	Page number	Key number	Per set	Spares number	Page number	Key number	Per set	Spares number	Page number	Key number	Per set
70-9430	13	11	1	71-2237	5	—	—	82-9430	39	28	1
70-9431	13	14	1	71-2370	21	3	1	82-9782	61	48	1
70-9526	23	10	2	71-2401	37	41	1	83-0002	59	32	2
70-9800	27	3	1	71-2402	37	47	1	83-1547	61	63	1
71-1065	27	28	1	71-2513	13	26	2	83-1969	33	18	1
71-1147	17	14	1	71-2547	19	25	1	83-2005	29	17	1
71-1148	17	26	2	71-2549	11	37	1	83-2006	29	25	1
71-1165	9	25	2	71-2567	13	27	1	83-2006	39	24	1
71-1166	9	26	4	71-2586	5	—	—	83-2006	39	24	4
71-1199	11	22	1	71-2586	11	—	1	83-2007	41	22	2
71-1218	11	38	1	71-2592	9	17	1	83-2012	33	15	2
71-1219	11	33	1	71-2593	9	18	1	83-2012	33	15	2
71-1271	19	22	1	71-2649	15	36	1	83-2014	29	24	1
71-1418	27	34	1	71-2650	15	38	1	83-2015	29	18	1
71-1419	15	43	1	71-2652	25	71	1	83-2018	29	3	1
71-1420	27	6	1	71-2656	21	25	1	83-2040	35	18	1
71-1421	9	18	1	71-2658	21	28	1	83-2204	29	2	4
71-1422	13	22	1	71-2725	37	35	1	83-2209	41	14	4
71-1423	23	35	1	71-2745	11	30	1	83-2211	41	12	2
71-1424	17	29	1	71-2747	11	19	1	83-2212	33	21	1
71-1429	9	8	1	71-2771	17	28	1	83-2218	35	7	1
71-1616	11	20	1	71-2839	13	—	1	83-2220	35	7	1
71-1619	27	7	1	71-2840	13	12	1	83-2224	33	29	1
71-1620	13	25	2	71-2841	13	10	1	83-2228	31	51	1
71-1623	9	31	1	71-2894	35	34	2	83-2233	33	13	2
71-1624	11	32	1	71-2895	37	35	1	83-2244	33	16	2
71-1625	11	42	1	71-2899	9	14	1	83-2245	33	17	2
71-1626	9	22	1	71-2901	37	—	1	83-2266	51	24	1
71-1627	9	10	1	71-2923	15	50	1	83-2507	39	13	1
71-1629	13	8	1	71-2927	27	10	1	83-2616	35	19	1
71-1630	13	8	1	71-2932	27	13	1	83-2621	59	25	1
71-1631	15	39	1	71-2933	17	30	1	83-2660	45	12	1
71-1632	11	28	2	71-2938	9	36	1	83-2669	67	54	1
71-1634	13	7	1	71-2946	25	56	1	83-2670	67	43	1
71-1635	11	17	1	71-2970	11	29	2	83-2671	31	44	1
71-1638	9	32	1	71-3001	5	—	—	83-2674	33	6	1
71-1675	5	—	—	71-3001	17	16	1	83-2693	55	45	1
71-1675	11	—	1	71-3148	9	14	1	83-2721	59	35	1
71-1676	11	27	1	75-0176	29	28	8	83-2726	53	29	1
71-1677	11	25	1	75-0208	67	48	2	83-2727	55	36	1
71-1678	11	26	1	75-0257	23	5	1	83-2728	53	26	1
71-1680	13	27	1	75-2719	35	34	2	83-2742	59	—	1
71-1681	11	24	1	75-9089	73	9	1	83-2745	59	—	2
71-1710	37	41	1	76-0012	11	15	2	83-2746	59	25	1
71-1731	15	53	1	76-0101	29	1	4	83-2776	59	36	1
71-1732	9	15	1	76-0101	39	—	1	83-2781	35	8	1
71-1735	9	20	1	76-0271	23	17	1	83-2785	39	7	4
71-1736	9	12	1	76-0293	67	44	2	83-2800	59	31	1
71-1860	71	—	—	76-0293	67	55	2	83-2800	59	31	2
71-1863	5	—	—	76-0528	25	65	1	83-2801	59	31	1
71-1870	5	—	—	76-4116	27	4	4	83-2834	53	9	1
71-1870	15	34	1	76-4120	59	40	1	83-2934	53	23	1
71-1989	9	28	2	76-9110	59	29	2	83-2937	39	1	1
71-2114	37	40	1	82-4717	55	33	1	83-2938	39	11	1
71-2115	17	24	1	82-4717	67	41	2	83-2980	61	66	1
71-2119	17	12	1	82-6981	65	14	1	83-2984	5	—	—
71-2121	17	15	1	82-7071	59	37	1	83-2984	29	7	1
71-2122	17	23	1	82-7044	67	52	2	83-3013	35	8	1
71-2123	17	13	1	82-7387	37	46	1	83-3014	33	14	2
71-2124	17	22	1	82-8245	43	37	1	83-3015	35	11	1
71-2152	11	36	2	82-8245	53	18	1	83-3017	35	21	1
71-2155	11	35	1	82-9004	31	40	1	83-3032	35	32	2
71-2167	11	34	1	82-9046	61	21	2	83-3035	39	4	1
71-2177	9	14	1	82-9222	41	65	2	83-3040	59	30	1
71-2234	5	—	—					83-3042	29	44	1
								83-3046	29	6	1
								83-3068	61	52	1



NUMERICAL INDEX—continued

Spares number	Page number	Key number	Per set	Spares number	Page number	Key number	Per set	Spares number	Page number	Key number	Per set
83-3069	61	52	1	97-0722	41	6	2				
83-3076	39	33	1	97-2266	41	10	1				
83-3077	39	25	1	97-2270	41	28	1				
83-3078	39	32	1	97-2270	53	19	1				
83-3092	35	2	2	97-3682	41	29	1				
83-3094	35	6	2	97-3893	43	43	2				
83-3095	35	4	2	97-3894	43	42	2				
83-3165	33	4	1	97-3894	53	21	1				
83-3170	33	10	1	97-3947	43	46	2				
83-3174	55	47	1	97-3985	41	13	1				
83-3179	61	64	1	97-3987	41	27	1				
83-3180	59	34	1	97-3996	43	35	2				
83-3212	55	44	2	97-4001	43	50	2				
83-3254	55	39	1	97-4002	43	51	2				
83-3299	39	3	1	97-4003	43	39	2				
83-3305	39	—	1	97-4004	43	32	2				
83-3306	69	61	1	97-4007	43	52	2				
83-3473	39	—	1	97-4009	43	34	2				
83-3474	39	—	1	97-4010	43	38	2				
83-3475	39	—	1	97-4011	43	53	2				
83-3476	39	—	1	97-4012	43	41	2				
83-3523	51	30	1	97-4020	43	40	2				
83-3525	63	37	2	97-4021	53	14	4				
83-3541	39	3	1	97-4022	53	15	4				
83-3543	65	23	2	97-4026	41	1	1				
83-3554	31	46	1	97-4026	65	5	1				
83-3556	29	14	1	97-4026	65	8	1				
83-3563	61	66	1	97-4028	43	56	1				
83-3604	69	71	1	97-4031	41	23	2				
83-3605	39	22	1	97-4032	43	49	1				
83-3632	39	5	1	97-4033	43	49	1				
83-3638	35	26	1	97-4048	41	17	1				
83-3721	39	4	1	97-4050	41	17	1				
83-3793	33	7	1	97-4052	53	13	1				
83-3811	67	36	1	97-4062	57	6	1				
83-3813	67	32	1	97-4072	53	3	1				
83-3814	65	25	1	97-4075	53	1	1				
83-3838	29	35	1	97-4076	43	33	2				
83-3840	29	34	1	97-4112	57	5	4				
83-3866	59	25	1	97-4115	41	13	1				
83-3875	61	63	1	97-4127	53	13	1				
83-3937	29	18	1	97-4166	43	54	2				
83-3945	59	35	1	97-4173	57	6	1				
83-3946	59	35	1	97-4247	63	10	1				
83-3996	5	—	—	97-4248	63	37	2				
83-3996	29	7	1	97-4258	43	55	2				
83-3998	29	31	1	97-4297	59	24	6				
83-4092	53	23	1	97-4317	41	3	1				
83-4103	67	42	1	97-4318	41	24	1				
83-4122	27	8	1	97-4333	53	3	1				
83-4123	53	22	1	97-4335	41	—	1				
83-4133	35	27	2	97-4335	5	—	1				
83-4159	59	—	1	97-4336	41	—	1				
83-4218	51	47	1	97-4336	5	—	1				
83-4277	35	14	1								
83-4278	33	3	1								
83-4318	53	23	1								
83-4320	59	35	1								
83-4322	37	44	1								
89-3208	23	29	1								
90-0011	25	66	1								
90-6074	17	39	1								
90-6219	53	10	2								
90-6219	67	50	2								
90-9024	57	24	6								

