



REPLACEMENT PARTS CATALOGUE

FOR

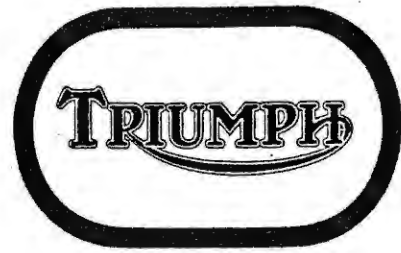
1971 MODELS 15 CU. IN. [250 c.c.]

BLAZER SS T25 SS
TRAIL BLAZER T25 T

A logo for "CLASSIC BIKE SPARES" is located in the bottom right corner. It features a stylized illustration of a bicycle wheel with a tire and spokes, positioned to the left of the text "CLASSIC BIKE SPARES" which is written in a bold, sans-serif font.

U.S.A. EDITION





REPLACEMENT PARTS CATALOGUE

FOR

BLAZER SS T25 SS TRAIL BLAZER T25T

TRIUMPH ENGINEERING COMPANY LIMITED
MERIDEN WORKS . ALLESLEY . COVENTRY CV5 9AU . ENGLAND
TELEPHONE COVENTRY 20221 MERIDEN 331
TELEGRAMS "TRUSTY" COVENTRY
TELEX "TRUSTY" 31305



INTRODUCTION

The Triumph Engineering Co. Ltd. point out that the information contained in this catalog was complete and correct at the time of printing. Distributors will be informed of any subsequent alterations.

A plastic binder, of the type used for Workshop Manuals, is available to enable this catalogue and all other 1971 season catalogues to be bound into one unit.

GUARANTEE

Please refer to your local dealer or distributor for the latest terms of guarantee.

Eastern U.S.A. Distributor:

Triumph Motorcycle Corporation,
P.O. Box 6790,
Towson,
Baltimore 4,
Maryland 21204.

Telex—Tricor Balt. 87728
Telephone—301-252-1700

Western U.S.A. Distributor:

Triumph Motorcycle Corporation,
P.O. Box 2765,
East Huntington Drive,
Duarte,
California 91010.

Telex—Tricor Duarte 675469
Telephone—213-359-3221
213-681-0255

ENGINE AND FRAME NUMBERS

The engine number is located on the left side of the engine, immediately below the cylinder barrel to crankcase flange.

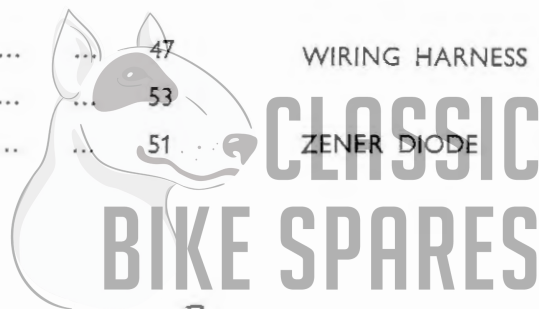
The frame number is located on the left side of the frame headlug, beneath the fork top lug and forward of the gasoline tank.

Both the engine and frame number should be quoted in full in any correspondence relating to the machine.



INDEX

| | Page | | Page |
|------------------------|--------|-----------------------------------|--------|
| AIR CLEANER | 13 | MOTOR FIXINGS | 27 |
| ALTERNATOR | 17, 25 | MUFFLER | 29 |
| BATTERY CARRIER | 29 | OIL FILTER | 27 |
| CARBURETOR | 13 | OIL PUMP | 17 |
| CARTON PACKS | 7 | OIL RELEASE VALVE | 15 |
| CHAINGUARD | 33 | PILLION FOOTRESTS | 45 |
| CHAINS | 25, 39 | PISTON | 9 |
| CLUTCH | 25 | PRIMARY CHAINCASE | 25 |
| COIL | 51 | PROP STAND | 33 |
| CONTACT BREAKER | 23 | REAR WHEEL | 41 |
| CONTROL CABLES | 47 | RECTIFIER | 51 |
| CONTROL LEVERS | 47 | REFLECTORS | 43, 51 |
| CRANKCASE | 15 | SIDE COVER | 29 |
| CRANKSHAFT | 9 | SPARK PLUGS | 9 |
| CYLINDER HEAD | 9 | SPEEDOMETER | 53 |
| ELECTRICAL BOX | 51 | SUSPENSION UNITS | 33 |
| EXHAUST PIPES | 29 | SWITCHES | 47, 51 |
| FENDERS | 43 | TABLE OF STANDARD HARDWARE | 56 |
| FLASHERS | 53 | TACHOMETER | 53 |
| FOOTRESTS | 45 | TAIL LAMP | 43 |
| FRAME | 31 | TIMING COVERS | 21 |
| FRONT FORKS | 35, 37 | TOOLKIT | 55 |
| FRONT WHEEL | 39 | TWINSEAT | 49 |
| GAS TANK | 49 | VALVES | 11 |
| GASKET SETS | 7 | WIRING HARNESS | 51, 53 |
| GEARBOX | 19, 21 | ZENER DIODE | 51 |
| HANDLEBARS | 47 | | |
| HEADLAMP | 53 | | |
| HORN | 51 | | |





**CLASSIC
BIKE SPARES**



**BLAZER SS (T25SS) AND TRAIL BLAZER (T25T)
TECHNICAL DATA**

| | | | | | | | | |
|----------------------|-----|-----|-------------------------|-----|-----|-----|-----|--|
| Bore and stroke... | ... | ... | ... | ... | ... | ... | ... | 67 x 70 mm. |
| Capacity ... | ... | ... | ... | ... | ... | ... | ... | 15 cu.in. (247 c.c.) |
| Compression ratio | ... | ... | ... | ... | ... | ... | ... | 9.5 : 1 |
| Sparking plug | ... | ... | ... | ... | ... | ... | ... | Champion N3 |
| Carburetor | ... | ... | ... | ... | ... | ... | ... | Amal Concentric 928/20 |
| | | | Choke size | ... | ... | ... | ... | 28 mm. |
| | | | Main jet | ... | ... | ... | ... | 190 |
| | | | Needle jet | ... | ... | ... | ... | -106 |
| | | | Needle | ... | ... | ... | ... | Standard |
| | | | Throttle valve | ... | ... | ... | ... | No. 3 |
| Gearbox sprocket | ... | ... | ... | ... | ... | ... | ... | 16 teeth T25T 17 teeth T25SS |
| Final Drive Sprocket | ... | ... | ... | ... | ... | ... | ... | 52 teeth |
| Chains | ... | ... | Front | ... | ... | ... | ... | $\frac{3}{8}$ in. x $\frac{7}{32}$ in. Duplex x 70 links |
| | | | Rear | ... | ... | ... | ... | $\frac{5}{8}$ in. x $\frac{1}{4}$ in. x 106 links |
| Capacities | ... | ... | Fuel tank | ... | ... | ... | ... | 2½ U.S. galls. |
| | | | Oil reservoir | ... | ... | ... | ... | 4 pints |
| | | | Gearbox | ... | ... | ... | ... | ½ pint (285 c.c.) |
| | | | Primary chaincase | ... | ... | ... | ... | ¼ pint (150 c.c.) |
| | | | Front forks (each leg) | ... | ... | ... | ... | ⅓ pint (190 c.c.) |
| Brakes | ... | ... | Front and rear diameter | ... | ... | ... | ... | 6 in. |
| Tyre size | ... | ... | Front | ... | ... | ... | ... | 3.00 x 20 T25T 3.25 x 18 T25SS |
| | | | Rear | ... | ... | ... | ... | 3.50 x 18 T25SS 4.00 x 18 T25T |

**CLASSIC
BIKE SPARES**

HOW TO USE THIS PARTS CATALOGUE

Consult the index on Page 3 for the parts or group of parts which you wish to locate.

List the quantities required as single units; do not ask for "2 pairs" or "3 dozen".

Items marked "reference only" are not available from the factory.

Proprietary components e.g. electrical equipment, carburetors, suspension units etc. are listed in the first column under proprietary part numbers. Where they are stocked at the factory the Triumph part number appears after the description.

PLEASE NOTE

THROUGHOUT THIS LIST, ASSEMBLIES ARE PRINTED IN CAPITALS AND THE COMPONENTS INCLUDED IN THAT ASSEMBLY ARE INDENTED IN THE DESCRIPTION COLUMN, REVERTING TO THE ORIGINAL ALIGNMENT WHEN THE ASSEMBLY IS COMPLETE. TO ORDER THE COMPLETE ASSEMBLY IT IS NECESSARY ONLY TO QUOTE THE ASSEMBLY NUMBER. ANY COMPONENT PARTS LISTED MAY ALSO BE OBTAINED SEPARATELY IF REQUIRED.

SPECIAL WORKSHOP TOOLS

A COMPLETE LIST OF WORKSHOP TOOLS CAN BE MADE AVAILABLE BY EITHER CONTACTING YOUR DEALER OR APPLYING DIRECT TO THE DISTRIBUTOR. IN MOST CASES THESE TOOLS ARE VERY COSTLY AS THEY ARE MADE ENTIRELY FOR WORKSHOP USE, AND THEREFORE, IT IS NOT RECOMMENDED THAT THE PRIVATE OWNER PURCHASES THE TOOLS IN ORDER TO AID SERVICING THE MACHINE ONCE OR TWICE ONLY. IN THESE CIRCUMSTANCES IT IS FAR MORE ECONOMICAL TO GET IN TOUCH WITH A RECOGNISED DEALER.

UNIFIED THREAD FORM

NEW PARTS HAVING THREADED FIXINGS INTRODUCED IN THIS CATALOGUE HAVE THE UNIFIED FORM OF SCREW THREADS. THIS CHANGEOVER WILL BE CONTINUED AS AND WHEN NEW PARTS ARE INTRODUCED. EVEN WHERE PARTS ARE SIMILAR IN APPEARANCE NEW PART NUMBERS WILL BE ALLOCATED TO IDENTIFY THE UNIFIED THREADS. ALL NUTS, BOLTS AND STUDS HAVING THIS THREAD ARE IDENTIFIED BY MARKINGS. BOLTS HAVE A CIRCULAR RECESS IN THEIR HEADS, STUDS A CIRCULAR GROOVE ON THE END, AND NUTS HAVE INTERLOCKING CIRCLES ON THE SIDE.



CARTON PACK LIST

The following sub-assemblies are supplied in carton packs under the part number stated. The contents of these carton packs are preserved and will not deteriorate under adverse conditions.

PISTON (complete with rings, gudgeon pin and circlips). These are in effect 'carton pack' assemblies.

| | | |
|---------------------|--------------|----------------------------|
| E11801 | 9.5 : 1 C.R. | STANDARD SIZE |
| E11802 | 9.5 : 1 C.R. | $\frac{1}{2}$ mm. oversize |
| E11803 | 9.5 : 1 C.R. | 1 mm. oversize |
| OVERHAUL GASKET SET | 99-1166 | |
| DECOKE GASKET SET | 99-1163 | |

PARTS VARYING FROM STANDARD SIZE

The following are the part numbers of piston rings to suit oversizes of $+\frac{1}{2}$ mm. and $+1$ mm. These rings are no longer available in carton packs:

| | | | |
|-------------------------------|-----------|-------|------------------------|
| PISTON RINGS | | | |
| $(\frac{1}{2}$ mm. oversizes) | 2 | E9017 | Taper compression ring |
| | 1 | E9021 | Scraper ring |
| PISTON RINGS | | | |
| (1 mm. oversize) | 2 | E9018 | Taper compression ring |
| | 1 | E9022 | Scraper ring |
| Big end bearing undersizes | 0.010 in. | | Part Number E6068/10 |
| | 0.020 in. | | Part Number E6068/20 |
| | 0.030 in. | | Part Number E6068/30 |



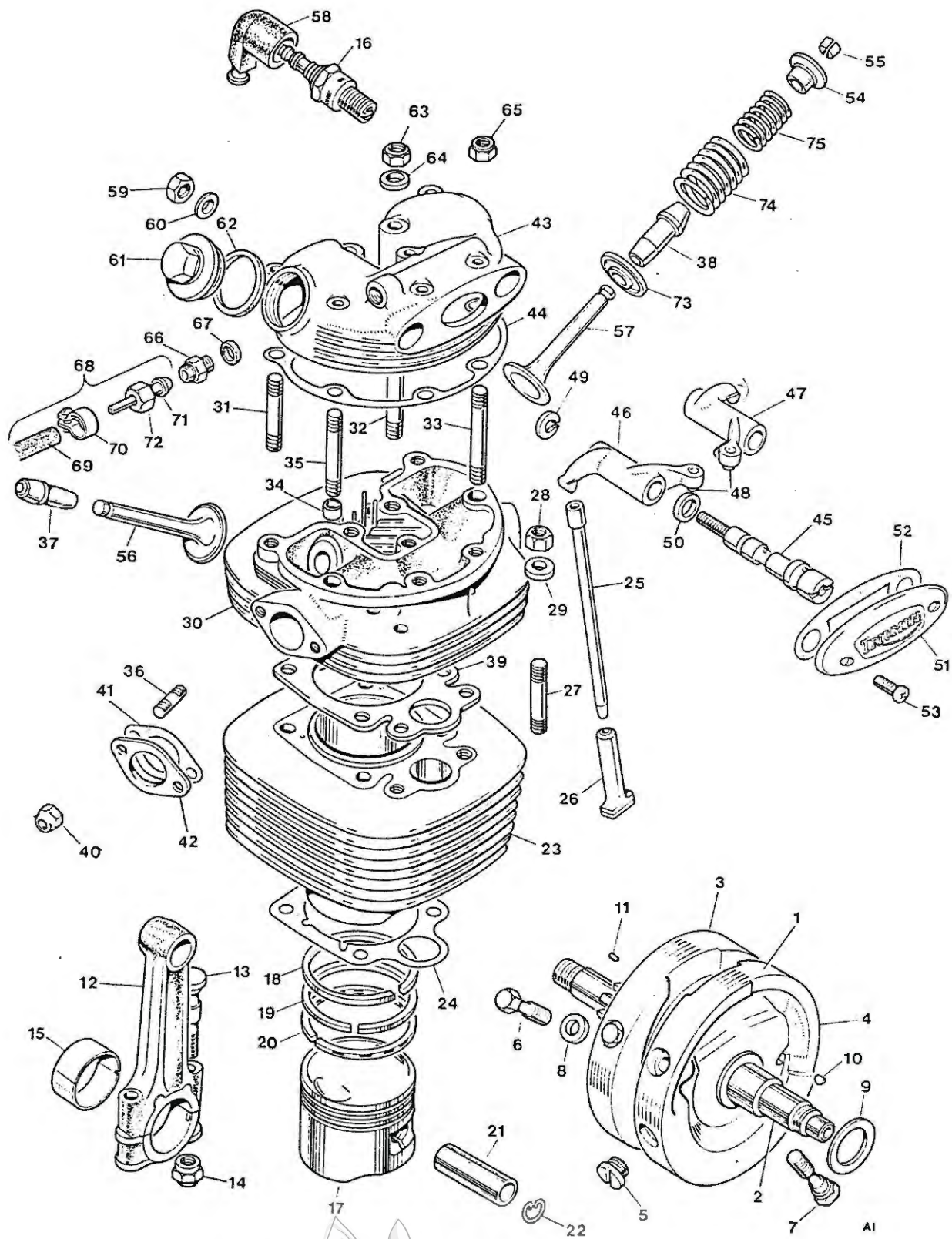


Fig. 1. CYLINDER HEAD, BARREL AND CRANKSHAFT



CYLINDER HEAD, BARREL AND CRANKSHAFT

| | | | |
|----|---------|--|-----------------------|
| 1 | E12284 | CRANKSHAFT AND FLYWHEEL ASSEMBLY | 1 |
| 2 | E12285 | Crankshaft | Reference only |
| 3 | E12287 | FLYWHEEL DRIVE SIDE | Reference only |
| 4 | E12288 | FLYWHEEL TIMING SIDE | Reference only |
| 5 | E8036 | Screwed plug | 1 |
| 6 | E8032 | Flywheel bolts (1 $\frac{1}{8}$ in. U.H.) | 4 |
| 7 | E8033 | Flywheel bolts (2 in. U.H.) | 4 |
| 8 | E11003 | Washer | 8 |
| 9 | E8304 | Shim (0.003 in.) | A.R. |
| 9 | E8305 | Shim (0.005 in.) | A.R. |
| 9 | E8038 | Shim (0.010 in.) | A.R. |
| 9 | E8039 | Shim (0.015 in.) | A.R. |
| 10 | E1580 | Crankshaft pinion key | 1 |
| 11 | E8144 | Rotor key | 1 |
| 12 | E9911 | CONNECTING ROD | 1 |
| 13 | E9914 | Connecting rod bolt | 2 |
| 14 | S2016 | Self locking nut | 2 |
| 15 | E6068 | Connecting rod big end bush (available in undersizes of 0.010 in., 0.020 in., 0.030 in.) | 1 (supplied in pairs) |
| 16 | D911 | Sparking plug N.3 | 1 |
| 17 | E11801 | *PISTON COMPLETE | 1 |
| 18 | E6838 | Taper compression ring | 1 |
| 19 | E6838 | Taper compression ring | 2 |
| 20 | E6839 | Oil control ring | 1 |
| 21 | E6861 | Gudgeon pin | 1 |
| 22 | E6869 | Circlip | 2 |
| 23 | E9263 | Cylinder barrel | 1 |
| 24 | E12233 | Cylinder base washer | 1 |
| 25 | E8053 | Push rod (exhaust) | 1 |
| 25 | E8055 | Push rod (inlet) | 1 |
| 26 | E12513 | Tappet | 2 |
| 27 | E8008 | Cylinder barrel stud (2 $\frac{1}{16}$ in. O.A.) | 2 |
| 28 | E8196 | Stud nut | 2 |
| 29 | E8215 | Washer | 2 |
| 30 | E12238 | CYLINDER HEAD | 1 |
| 31 | S2092 | Stud | 2 |
| 32 | 14-1627 | Stud | 2 |
| 33 | 14-1629 | Stud | 3 |
| 34 | E11989 | Dowel | 2 |
| 35 | 14-1627 | Stud | 2 |
| 36 | 14-1619 | Carburetor stud | 2 |
| 37 | E12231 | Valve guide (inlet) | 1 |
| 37 | E11227 | Service size valve guide +.002 in. | 1 |
| 37 | E11228 | Service size valve guide +.015 in. | 1 |
| 38 | E12226 | Valve guide (exhaust) | 1 |
| 38 | E11229 | Service size valve guide +.002 in. | 1 |
| 38 | E11230 | Service size valve guide +.015 in. | 1 |
| 39 | E8081 | Cylinder head gasket | 1 |
| 40 | E8137 | Carburetor stud nut | 2 |
| 41 | E11416 | Carburetor flange washer | 1 |

*Refer to page 7 for oversizes.

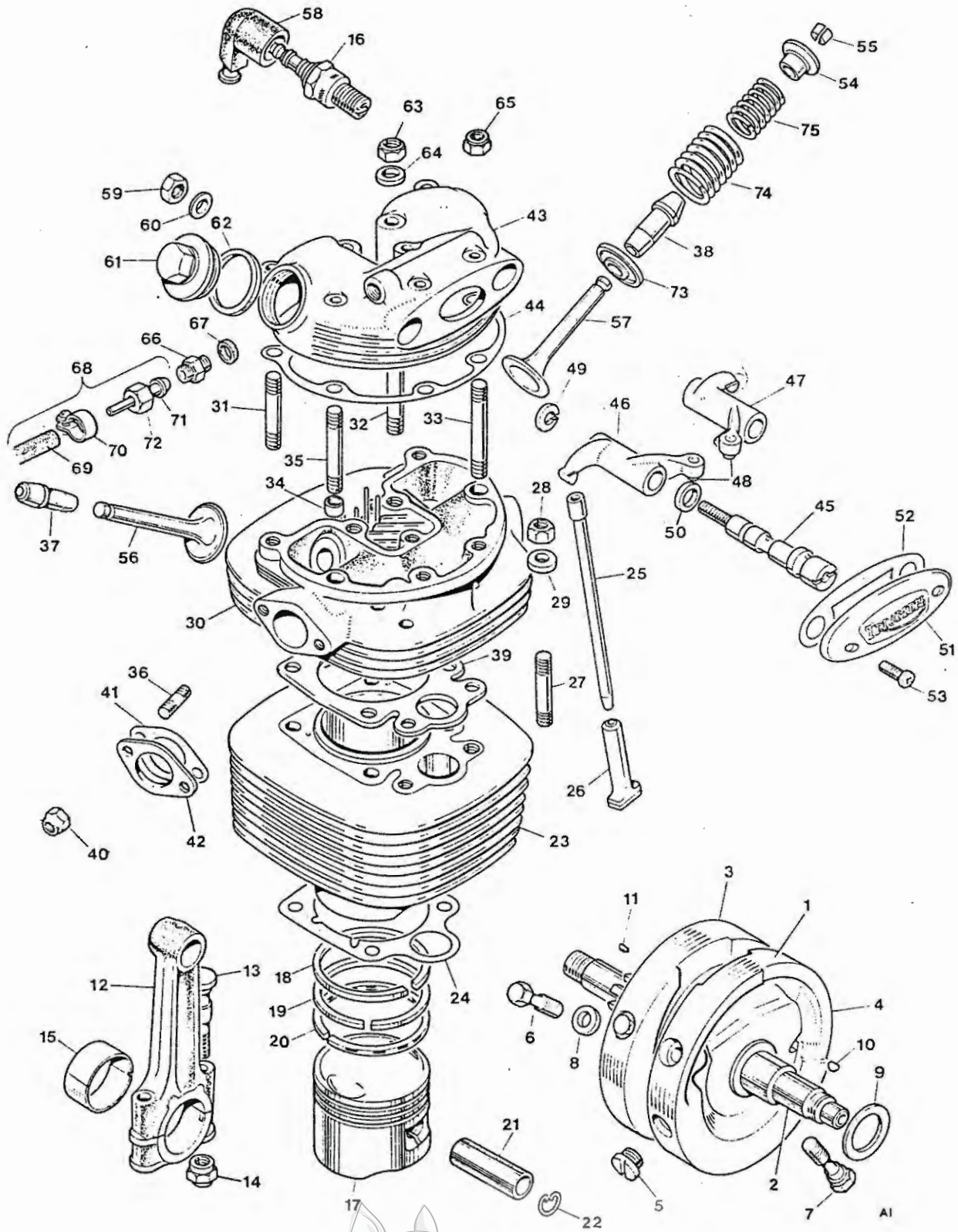
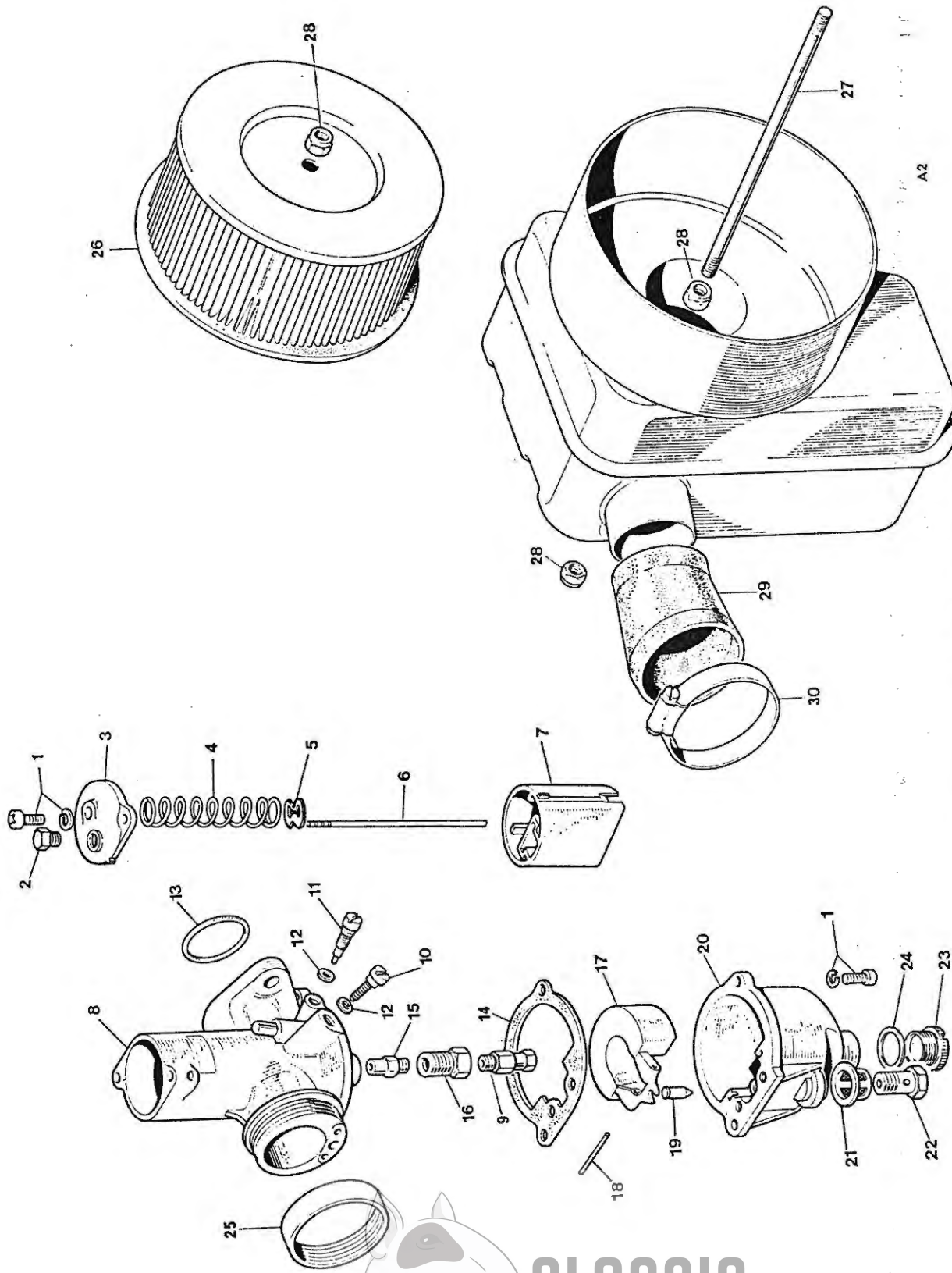


Fig. 1. CYLINDER HEAD, BARREL AND CRANKSHAFT

CYLINDER HEAD, BARREL AND CRANKSHAFT *continued*

| | | | |
|------------|---------|--|----------|
| 42 | E7820 | Distance piece | 1 |
| 43 | E12196 | Rocker box | 1 |
| 44 | E12198 | Rocker box gasket | 1 |
| 45 | E7787 | Rocker spindle | 2 |
| 46 | E7790 | INLET ROCKER | 1 |
| 47 | E7791 | EXHAUST ROCKER | 1 |
| 48 | E1483 | Ball end | 2 |
| 49 | E1575 | Thrust washer | 2 |
| 50 | E1330 | Thrust washer | 2 |
| 51 | E8952 | Inspection cover | 1 |
| 52 | E11425 | Gasket | 1 |
| 53 | E8086 | Screw ($\frac{11}{16}$ in. U.H.) | 2 |
| 54 | E11165 | Top collar | 2 |
| 55 | E11166 | Split collet | 4 halves |
| 56 | E8112 | Inlet valve | 1 |
| 57 | E7777 | Exhaust valve | 1 |
| 58 | D1002 | Plug cover | 1 |
| 59 | 14-0403 | Locknut | 2 |
| 60 | S25-2 | Washer | 2 |
| 61 | E1564 | Inspection cap | 2 |
| 62 | E1577 | Washer | 2 |
| 63 | 14-0302 | Nut | 2 |
| 64 | D2330 | Washer | 9 |
| 65 | 14-1302 | Nut | 7 |
| 66 | E8082 | Union | 1 |
| 67 | E8083 | Fibre washer | 1 |
| 68 | E8107 | ROCKER FEED PIPE ASSEMBLY | 1 |
| 69 | E8109 | Oil feed pipe | 1 |
| 70 | E8111 | Clip | 1 |
| 71 | E8108 | Nipple | 1 |
| 72 | E8110 | Union nut | 1 |
| 73 | E12366 | Bottom cup | 2 |
| 74 | E12223 | Valve spring—outer | 2 |
| 75 | E8115 | Valve spring—inner | 2 |
| Not illus. | H2635 | Sealing washer | 2 |





A2

Fig. 2. CARBURETOR AND AIR CLEANER



CARBURETOR AND AIR CLEANER

| Ref. No. | Part No. | DESCRIPTION | QUANTITY |
|----------|----------|-------------------------------|----------------|
| | R928/20 | CARBURETOR COMPLETE (D3487) | 1 |
| 1 | 622/086 | Screw and washer (99-0521) | 4 |
| 2 | 41137A | Plug screw (99-0221) | 1 |
| 3 | 928/097 | Top cap (99-0531) | 1 |
| 4 | 622/061 | Throttle spring (99-0507) | 1 |
| 5 | 622/067 | Circlip (99-0510) | 1 |
| 6 | 928/063 | Needle (99-0529) | 1 |
| 7 | 928/060 | Throttle valve (3½) (99-0527) | 1 |
| 8 | 928/005 | Body | Reference only |
| 9 | 376/100 | Main jet (190) (99-0444) | 1 |
| 10 | 622/077 | Throttle stop screw (99-0516) | 1 |
| 11 | 622/076 | Pilot air screw (99-0515) | 1 |
| 12 | 622/082 | "O" ring (99-0520) | 2 |
| 13 | 622/101 | "O" ring (99-0522) | 1 |
| 14 | 622/073 | Gasket (99-0514) | 1 |
| 15 | 928/104 | Needle jet (99-1225) | 1 |
| 16 | 622/128 | Jet holder (99-1034) | 1 |
| 17 | 622/069 | Float (99-0512) | 1 |
| 18 | 622/071 | Float spindle (99-0513) | 1 |
| 19 | 622/068 | Float needle (99-0511) | 1 |
| 20 | 622/050 | Float chamber (99-0506) | 1 |
| 21 | 376/093 | Filter (99-0438) | 1 |
| 22 | 622/078 | Banjo bolt (99-0517) | 1 |
| 23 | 622/147 | Drain plug (99-1152) | 1 |
| 24 | 622/151 | Washer (99-1153) | 1 |
| 25 | E11860 | Adaptor | 1 |
| — | F13541 | Air cleaner box | 1 |
| 26 | D2601 | Element | 1 |
| 27 | S2108 | Stud | 1 |
| 28 | 14-0401 | Nut | 3 |
| 29 | F12716 | Induction pipe | 1 |
| 30 | D710 | Clip—"Jubilee" type | 1 |



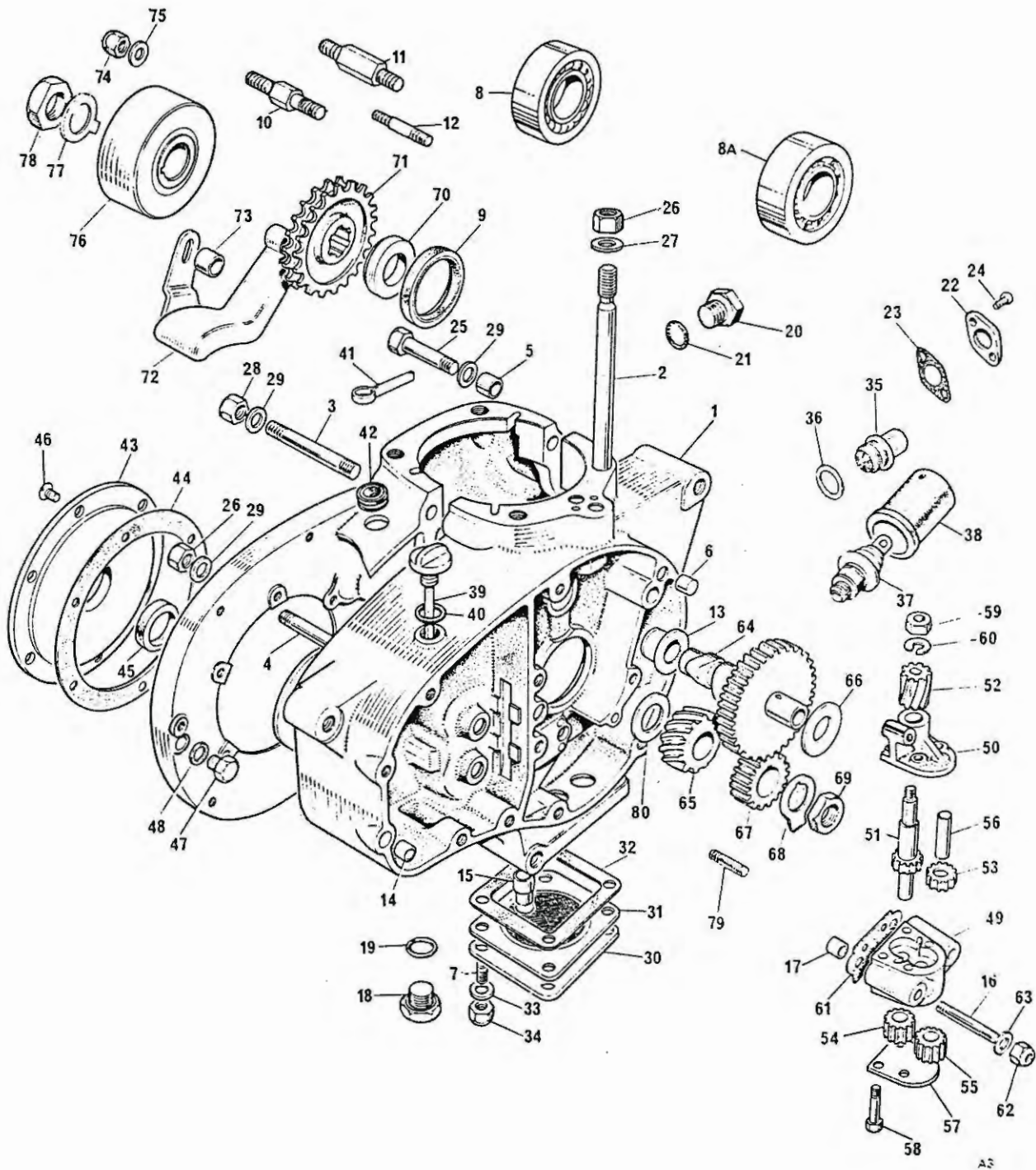


Fig. 3. CRANKCASE

Ref. No. Part No.

DESCRIPTION

QUANTITY

CRANKCASE

| Ref. No. | Part No. | DESCRIPTION | QUANTITY |
|----------|----------|---|----------|
| 1 | E11869 | CRANKCASE | 1 |
| 2 | E8006 | Cylinder securing stud | 2 |
| 3 | S2042 | Crankcase top stud | 2 |
| 4 | S1890 | Crankcase rear stud | 2 |
| 5 | E8009 | Hollow dowel | 1 |
| 6 | E8011 | Solid dowel | 2 |
| 7 | 14-1401 | Sump stud | 4 |
| 8 | E8003 | Main bearing (ball-journal) | 1 |
| 8A | E9974 | Main bearing (roller bearing) | 1 |
| 9 | E8025 | Oil seal left main bearing | 1 |
| 10 | S1894 | Generator stud rear | 1 |
| 11 | S1895 | Generator stud front | 1 |
| 12 | S1896 | Generator stud bottom | 1 |
| 13 | E8315 | Camshaft bush | 1 |
| 14 | E12547 | Hollow dowel | 1 |
| 15 | E8017 | Scavenge pipe | 1 |
| 16 | S597 | Oil pump stud | 2 |
| 17 | E8022 | Hollow dowel | 2 |
| 18 | S2111 | Gearbox drain plug | 1 |
| 19 | D3530 | "O" ring | 1 |
| 20 | S1872 | Timing hole plug | 1 |
| 21 | E8896 | Washer hole plug | 1 |
| 22 | E9384 | Sealing plate | 1 |
| 23 | E8256 | Sealing washer | 1 |
| 24 | T1150 | Screw | 2 |
| 25 | 14-6219 | Bolt | 3 |
| 26 | 14-0303 | Cylinder securing nut | 4 |
| 27 | E8135 | Washer | 4 |
| 28 | 14-0302 | Nut | 4 |
| 29 | E8088 | Washer | 7 |
| 30 | E8065 | Sump cover | 1 |
| 31 | E9979 | Filter | 1 |
| 32 | E8070 | Gasket | 1 |
| 33 | E8071 | Plain washer | 4 |
| 34 | 14-1901 | Nyloc nut | 4 |
| 35 | E12210 | Oil release valve | 1 |
| 36 | E12211 | Joint washer | 1 |
| 37 | D2133 | Oil pressure switch | 1 |
| 38 | D2045 | Cover for oil switch | 1 |
| 39 | T2695 | Dipstick | 1 |
| 40 | T948 | Dipstick washer | 1 |
| 41 | E8147 | Clip for alternator lead grommet | 1 |
| 42 | E8148 | Alternator lead grommet | 1 |
| 43 | E3789 | Oil seal housing | 1 |
| 44 | E11419 | Gasket | 1 |



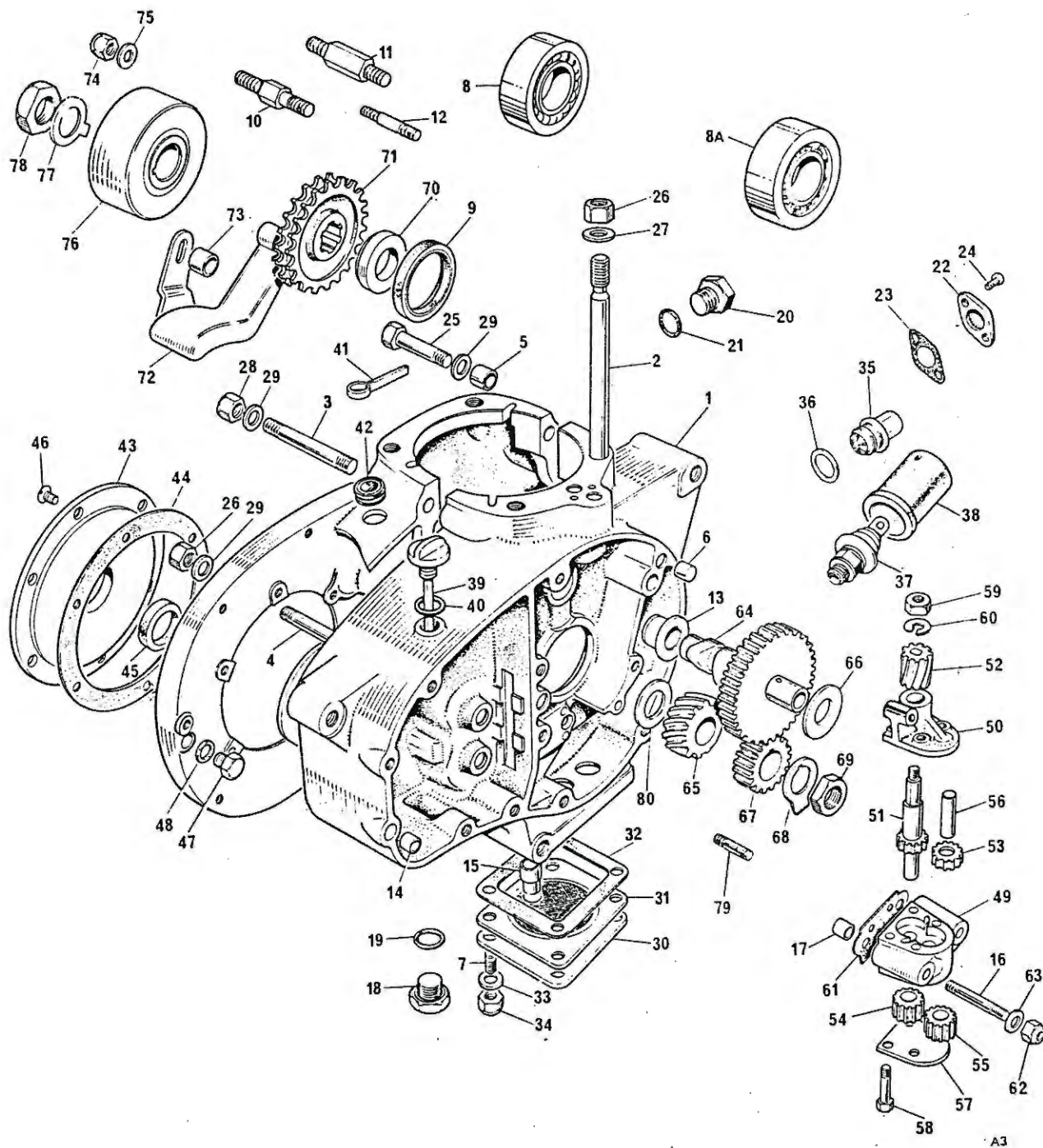


Fig. 3. CRANKCASE

Ref. No. Part No.

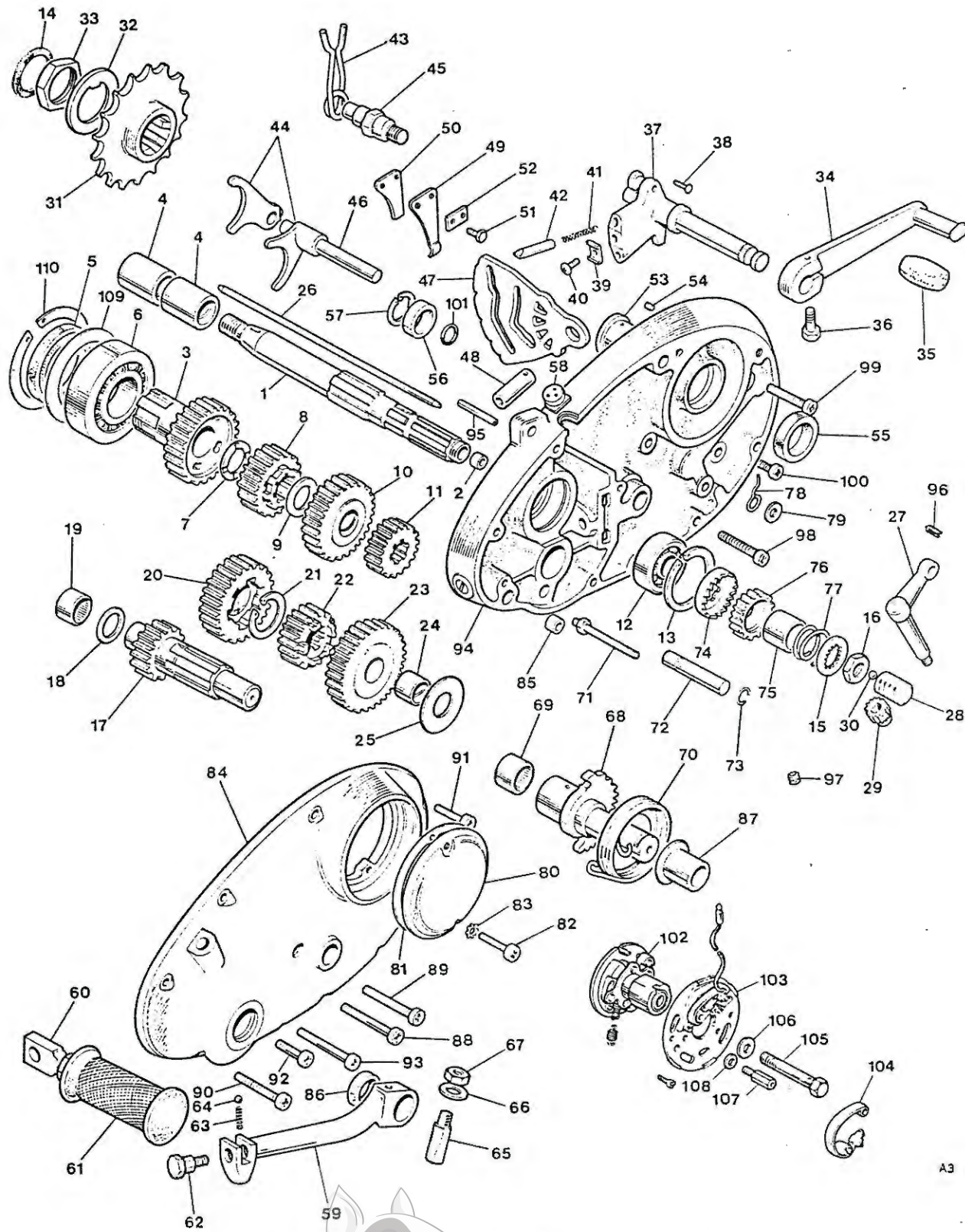
DESCRIPTION

QUANTITY

CRANKCASE *continued*

| | | | |
|------------|----------|--|------|
| 45 | E3833 | Oil seal | 1 |
| 46 | E3821 | Screw | 6 |
| 47 | 14-6102 | Blanking plug | 1 |
| 48 | E8180 | Fibre washer | 1 |
| 49 | E12227 | OIL PUMP COMPLETE | 1 |
| 50 | E12119 | Spindle housing | 1 |
| 51 | E12229 | Spindle | 1 |
| 52 | E8094 | Spindle gear | 1 |
| 53 | E12230 | Feed gear—driven | 1 |
| 54 | E12122 | Scavenge gear—driving | 1 |
| 55 | E12124 | Scavenge gear—driven | 1 |
| 56 | E11147 | Driven gear spindle | 1 |
| 57 | E8099 | Bottom plate | 1 |
| 58 | E8100 | Bolt | 4 |
| 59 | 14-1301 | Spindle gear nut | 1 |
| 60 | F9041 | Spindle gear washer | 1 |
| 61 | 71-2115 | Gasket | 1 |
| 62 | 14-1901 | Holding nut | 3 |
| 63 | E8104 | Washer | 3 |
| 64 | E12297 | Camshaft c/w pinion | 1 |
| 65 | E8041 | Drive gear | 1 |
| 66 | E12299 | Distance washer | 1 |
| 67 | E8040 | Crankshaft pinion | 1 |
| 68 | E8043 | Lockwasher | 1 |
| 69 | W1798 | Nut | 1 |
| Not illus. | E11819 | Shim (.010 in. thick) | A.R. |
| Not illus. | E11820 | Distance piece (.015 in. thick) | A.R. |
| 70 | E8142 | Distance piece (.295 in. thick) | 1 |
| 71 | E8139 | Engine sprocket (23T) | 1 |
| 72 | E8184 | Chain tensioner | 1 |
| 73 | E8143 | Distance piece | 1 |
| 74 | 14-1901 | Nut | 3 |
| 75 | E8072 | Washer | 3 |
| 76 | 54213901 | Rotor (99-0739) | 1 |
| 77 | E8224 | Tab washer | 1 |
| 78 | E8146 | Nut | 1 |
| Not illus. | E11148 | Dowel, pump body | 2 |
| Not illus. | E12338 | Plug | 1 |
| 79 | 14-1606 | Oil pump stud | 1 |
| 80 | E12291 | Distance piece | 1 |





A3

Fig. 4. GEAR CLUSTERS AND TIMING COVERS



GEAR CLUSTERS AND TIMING COVERS

| Ref. No. | Part No. | DESCRIPTION | QUANTITY |
|----------|----------|--|-----------|
| 1 | T4344 | MAINSHAFT COMPLETE WITH BUSH | 1 |
| 2 | T1391 | Pushrod bush | 1 |
| 3 | T3872 | HIGH GEAR (22T) | 1 |
| 4 | T2753 | High gear bush | 2 |
| 5 | E8015 | Mainshaft oil seal | 1 |
| 6 | E8014 | Mainshaft bearing | 1 |
| 7 | T2678 | Thrust washer (.093 in.) | 1 |
| 7 | T2679 | Thrust washer (.098 in.) | A.R. |
| 7 | T2680 | Thrust washer (.103 in.) | A.R. |
| 8 | T3876 | Mainshaft second gear (21T) | 1 |
| 9 | T2664 | Spacer (.075 in.) | A.R. |
| 9 | T2665 | Spacer (.070 in.) | A.R. |
| 9 | T2666 | Spacer (.080 in.) | A.R. |
| 10 | T2662 | Mainshaft third gear (24T) | 1 |
| 11 | T2663 | Mainshaft low gear (16T) | 1 |
| 12 | E8151 | Mainshaft bearing | 1 |
| 13 | E8152 | Bearing circlip | 1 |
| 14 | T2677 | Felt washer | 1 |
| 15 | T4344 | Lockwasher | 1 |
| 16 | T2686 | Mainshaft nut | 1 |
| 17 | T2667 | Layshaft and high gear (14T) | 1 |
| 18 | T2671 | Thrust washer (.084 in.) | 1 |
| 18 | T2672 | Thrust washer (.079 in.) | A.R. |
| 19 | E8005 | Layshaft bearing | 1 |
| 20 | T2668 | Layshaft second gear (22T) | 1 |
| 21 | T2669 | Layshaft circlip | 1 |
| 22 | T3877 | Layshaft third gear (19T) | 1 |
| 23 | T3874 | LAYSHAFT LOW GEAR COMPLETE (27T) | 1 |
| 24 | T2752 | Low gear bush | 1 |
| 25 | T2670 | Spacing shim | 1 |
| 26 | T2733 | Clutch push rod | 1 |
| 27 | T2750 | Clutch lever complete | 1 |
| 28 | T2699 | Clutch operating rack | 1 |
| 29 | T2700 | Clutch operating pinion | 1 |
| 30 | E8019 | Thrust ball | 1 |
| 31 | T2701 | Gearbox sprocket (16T) | 1 (T25T) |
| 31 | T2766 | Gearbox sprocket (17T) | 1 (T25SS) |
| 32 | T2702 | Tabwasher | 1 |
| 33 | T1434 | Nut | 1 |
| 34 | T1164 | Gear change pedal | 1 |
| 35 | T2450 | Pedal rubber | 1 |
| 36 | T2703 | Pedal bolt ($\frac{1}{16}$ in. U.H.) | 1 |
| 37 | T2692 | GEARCHANGE QUADRANT | 1 |
| 38 | T1277 | Spring rivet | 2 |
| 39 | T2107 | Keeper plate | 1 |
| 40 | T2435 | Screw | 1 |
| 41 | T2106 | Spring | 2 |
| 42 | T2105 | Plunger | 2 |
| 43 | T1109 | Return spring | 1 |
| 44 | T3854 | Selector fork—mainshaft | 1 |

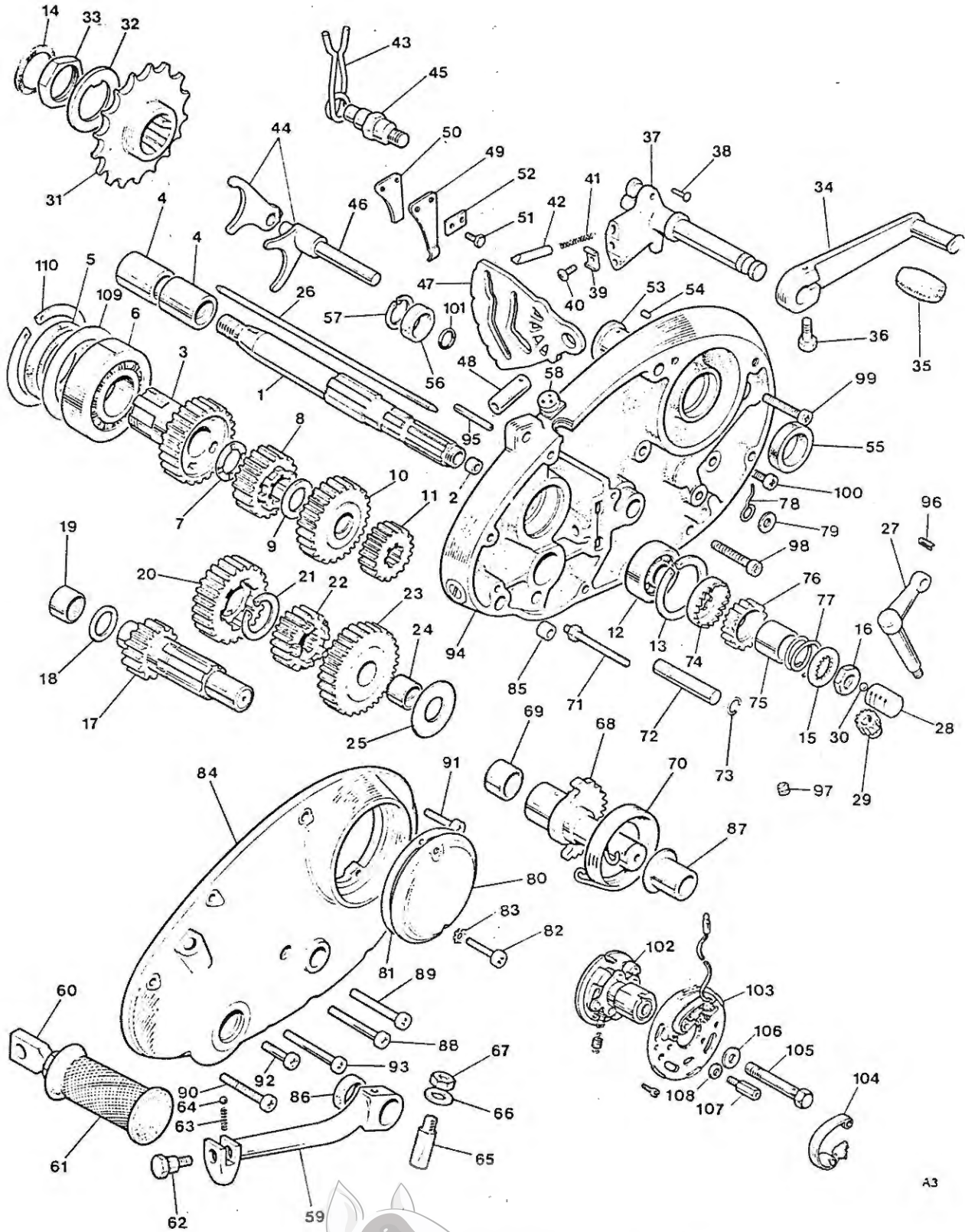
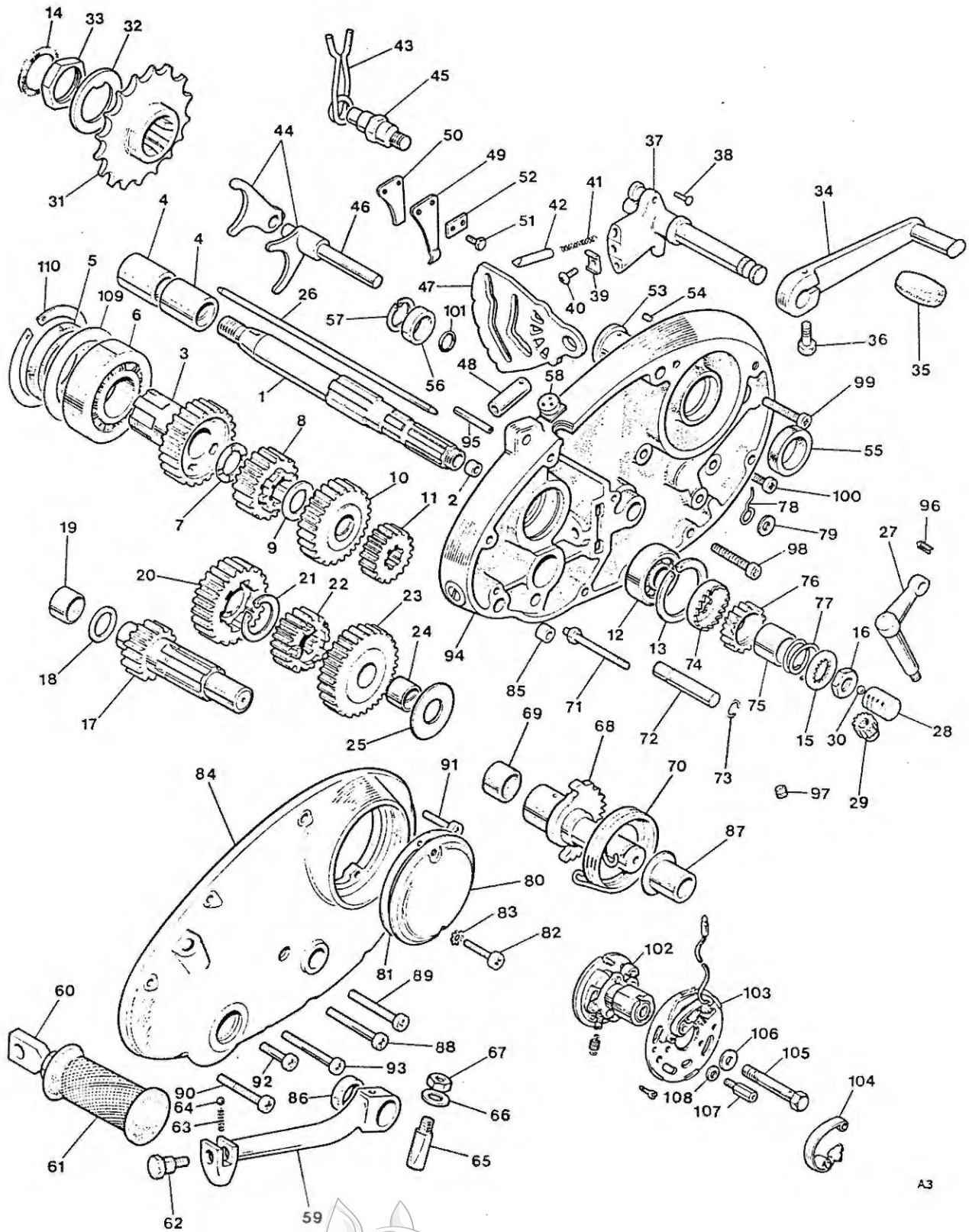


Fig. 4. GEAR CLUSTERS AND TIMING COVERS



GEAR CLUSTERS AND TIMING COVERS *continued*

| | | | |
|------------|---------|--|---|
| 44 | T2689 | Selector fork—layshaft | 1 |
| 45 | T3763 | Anchor bolt | 1 |
| 46 | T2688 | Selector spindle | 1 |
| 47 | T3850 | Camplate | 1 |
| 48 | T4048 | Camplate spindle | 1 |
| Not illus. | D2747 | Split pin | 1 |
| 49 | T2691 | Index spring | 1 |
| 50 | T1249 | Spring backing | 1 |
| 51 | T1076 | Screw | 2 |
| 52 | T1180 | Lockplate | 1 |
| 53 | E8150 | Camshaft bush | 1 |
| 54 | E3172 | Peg | 1 |
| 55 | E8153 | Camshaft oil seal | 1 |
| 56 | E8154 | Crankshaft T/S oil seal | 1 |
| 57 | E8157 | Oil seal circlip | 1 |
| 58 | E8155 | Cable grommet | 1 |
| 59 | T2764 | KICKSTART CRANK COMPLETE | 1 |
| 60 | T2646 | Kickstart folding pedal | 1 |
| 61 | T2759 | Pedal rubber | 1 |
| 62 | T1169 | Pivot bolt (1 in. U.H.) | 1 |
| 63 | T1167 | Spring | 1 |
| 64 | H2704 | Steel ball | 1 |
| 65 | T4356 | Cotter pin | 1 |
| 66 | T2705 | Cotter washer | 1 |
| 67 | T2706 | Cotter nut | 1 |
| 68 | T4341 | KICKSTART SPINDLE | 1 |
| 69 | E8005 | Needle roller | 1 |
| 70 | T4338 | Return spring | 1 |
| 71 | T3764 | Anchor pin | 1 |
| 72 | T4342 | Kickstart stop | 1 |
| 73 | T2658 | Circlip | 1 |
| 74 | T4339 | Kickstart ratchet | 1 |
| 75 | T2682 | Bush | 1 |
| 76 | T4336 | Pinion | 1 |
| 77 | T2684 | Spring | 1 |
| 78 | E8172 | Contact breaker lead clip | 1 |
| 79 | E8072 | Washer | 1 |
| 80 | E8737 | Contact breaker cover | 1 |
| 81 | E11423 | Gasket | 1 |
| 82 | E7354 | Screw ($\frac{1}{2}$ in. U.H.) | 2 |
| 83 | E8165 | Serrated washer | 2 |
| 84 | E12273 | OUTER TIMING COVER | 1 |
| 85 | E12547 | Hollow dowel | 2 |
| 86 | T2641 | Kickstart oil seal | 1 |
| 87 | T2642 | Bush | 1 |
| 88 | 14-6612 | Outer cover screw | 3 |
| 89 | 14-6611 | Outer cover screw | 1 |
| 90 | 14-6610 | Outer cover screw | 1 |
| 91 | E8169 | Outer cover screw ($\frac{5}{8}$ in. U.H.) | 3 |
| 92 | 14-6606 | Outer cover screw | 1 |



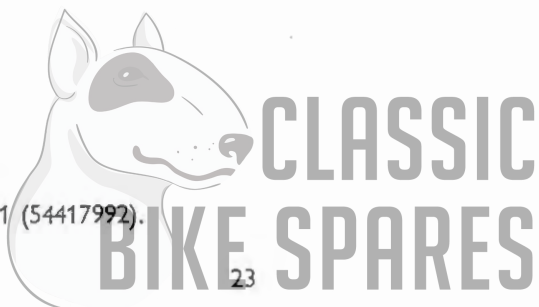
A3

Fig. 4. GEAR CLUSTERS AND TIMING COVERS



GEAR CLUSTERS AND TIMING COVERS *continued*

| | | | |
|-----|----------|-------------------------------------|-----------|
| 93 | 14-6614 | Outer cover screw | 1 |
| 94 | E12515 | Inner timing cover | 1 |
| 95 | T1026 | Breather tube | 1 |
| 96 | E8162 | Screwed plug | 1 |
| 97 | E9526 | Screwed plug (socket head) | Available |
| 98 | 14-6608 | Inner cover screw | 1 |
| 99 | 14-6610 | Inner cover screw | 4 |
| 100 | 14-6606 | Inner cover screw | 2 |
| 101 | E8158 | "O" ring | 1 |
| 102 | 54419653 | *Auto-advance unit (99-1007) | 1 |
| 103 | D3166 | Contact breaker | 1 |
| 104 | 54419827 | Points (99-0072) | 1 |
| 105 | 14-0208 | Contact breaker bolt | 1 |
| 106 | E8163 | Washer | 1 |
| 107 | E4747 | Clamp pillar bolt | 2 |
| 108 | E8164 | Washer | 2 |
| 109 | E11271 | Shield, mainshaft bearing | 1 |
| 110 | E6026 | Circlip | 1 |
| 111 | E8124 | Non return valve spring | 1 |
| 112 | H2704 | Ball valve | 1 |
| 113 | S2044 | Valve screw | 1 |



*Spring set only 99-1011 (54417992).

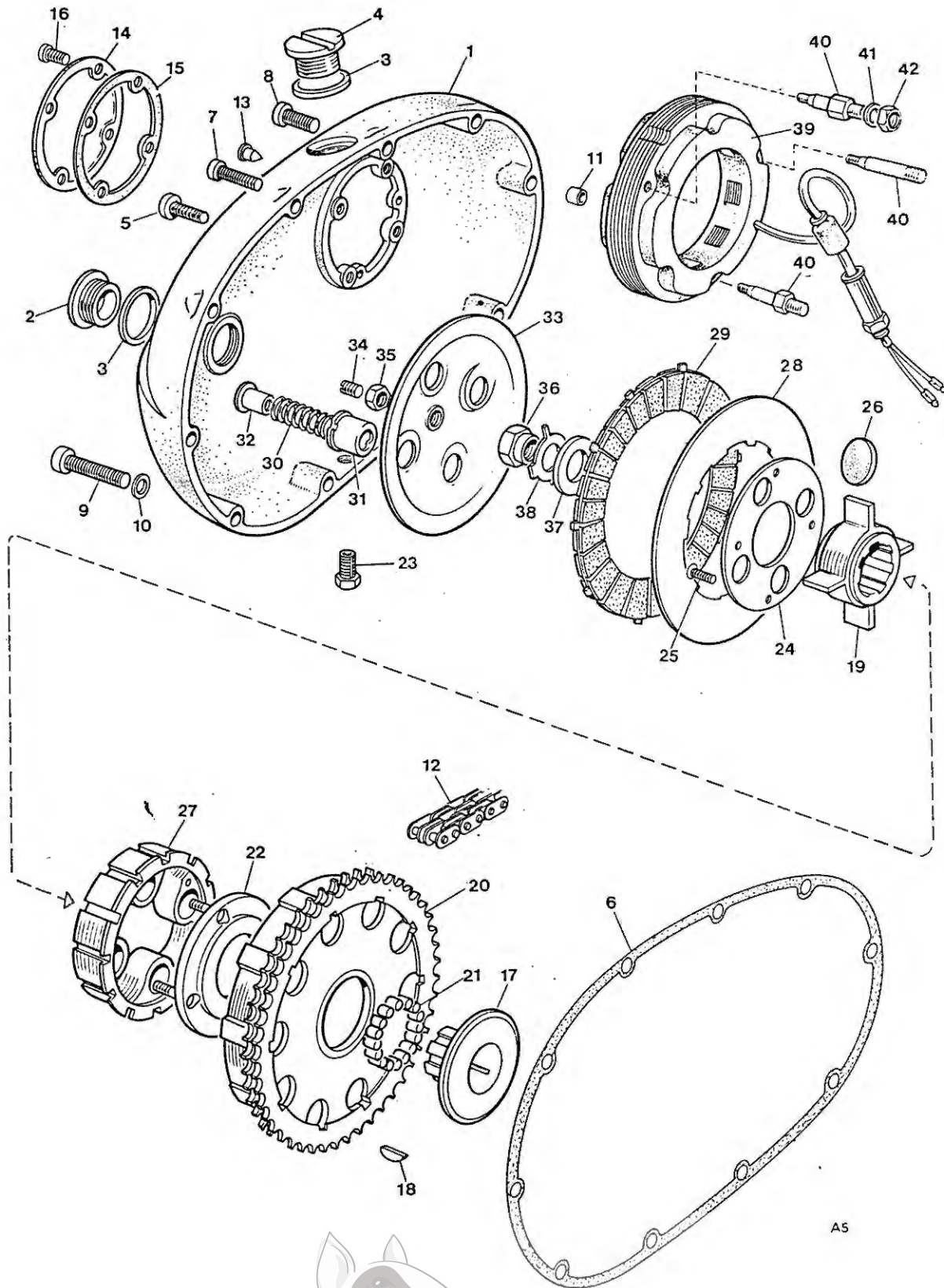


Fig. 5. CLUTCH AND PRIMARY CHAINCASE

CLUTCH AND PRIMARY CHAINCASE

| Ref. No. | Part No. | DESCRIPTION | QUANTITY |
|------------|----------|--|----------|
| 1 | E12026 | Primary chaincase cover | 1 |
| 2 | T2166 | Screwed plug | 1 |
| 3 | E8782 | "O" ring | 2 |
| 4 | E9800 | Filler plug | 1 |
| 5 | 14-7804 | Level plug | 1 |
| 6 | E11418 | Chaincase gasket | 1 |
| 7 | 14-6611 | Cover screw | 4 |
| 8 | 14-6610 | Cover screw | 5 |
| 9 | S1951 | Cover screw | 1 |
| 10 | E11065 | Washer | 1 |
| 11 | E8010 | Chaincase dowel | 2 |
| 12 | D951 | Primary chain (70L) | 1 |
| 13 | E11619 | Ignition pointer | 1 |
| 14 | E8955 | Inspection cover | 1 |
| 15 | E11420 | Gasket | 1 |
| 16 | E8177 | Screw (1/2 in. U.H.) | 4 |
| 17 | T4200 | Clutch hub | 1 |
| 18 | T2714 | Clutch hub key | 1 |
| 19 | T2715 | Clutch spider | 1 |
| 20 | T4198 | Sprocket and housing | 1 |
| 21 | T2719 | Roller | 25 |
| 22 | T2720 | Inner retaining plate | 1 |
| 23 | S1943 | Drain screw | 1 |
| 24 | T2721 | Outer retaining plate | 1 |
| 25 | T2722 | Screw (1 1/8 in. U.H.) | 4 |
| 26 | T2723 | Shock absorber rubber drive and rebound | 8 |
| 27 | T4186 | Centre | 1 |
| 28 | T2725 | Driven plate | 5 |
| 29 | T2726 | Driving plate | 4 |
| 30 | T2727 | Spring | 4 |
| 31 | T4121 | Cup | 4 |
| 32 | T2748 | Spring nut | 4 |
| 33 | T4019 | Pressure plate | 1 |
| 34 | T4189 | Adjuster | 1 |
| 35 | 14/0401 | Locknut | 1 |
| 36 | T2730 | Retaining nut | 1 |
| 37 | T2731 | Plain washer | 1 |
| 38 | T2732 | Lockwasher | 1 |
| 39 | 47205 | Stator (99-1006) | 1 |
| 40 | S1894 | Generator stud rear | 1 |
| 40 | S1895 | Generator stud front | 1 |
| 40 | S1896 | Generator stud bottom | 1 |
| 41 | E8072 | Washer | 3 |
| 42 | 14-0901 | Nut | 3 |
| Not illus. | T3931 | Thrust washer | 1 |

See also page 15



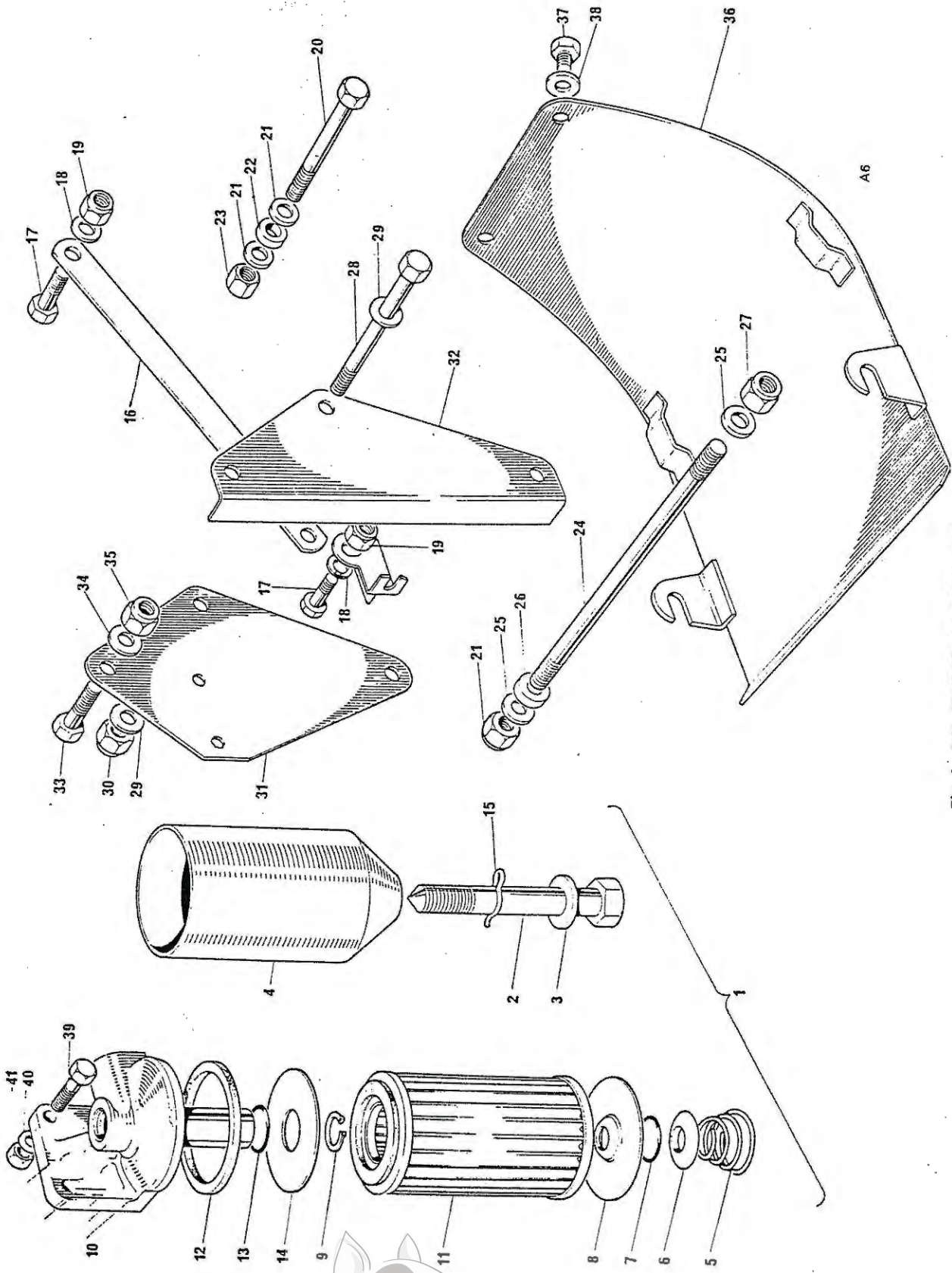


Fig. 6. OIL FILTER, MOTOR FIXINGS

OIL FILTER, MOTOR FIXING

| Ref. No. | Part No. | DESCRIPTION | QUANTITY |
|----------|-----------|-----------------------|----------------|
| 1 | F8903 | Oil filter (FB994) | 1 |
| 2 | 150046 | Centre bolt (99-1171) | 1 |
| 3 | 137378 | Washer (99-1172) | 1 |
| 4 | 134399 | Container | Reference only |
| 5 | 160495 | Spring (99-1174) | 1 |
| 6 | 21171-402 | Washer (99-1175) | 1 |
| 7 | X160/2 | "O" ring (99-1176) | 1 |
| 8 | 121008 | Pressure plate | Reference only |
| 9 | X9413 | Circlip (99-1178) | 1 |
| 10 | FB994/2 | Filter head (99-1180) | 1 |
| 11 | FB994/1 | Element (99-1179) | 1 |
| 12 | 137377 | Sealing washer | 1 |
| 13 | X160/3 | "O" ring (99-1182) | 1 |
| 14 | 134401 | Pressure plate | Reference only |
| 15 | 175083 | Circlip (99-1184) | 1 |
| 16 | F13296 | Motor steady strap | 1 |
| 17 | 14-0126 | Bolt | 2 |
| 18 | D2331 | Washer | 2 |
| 19 | 14-1303 | Nut | 2 |
| 20 | 14-0239 | Bolt | 1 |
| 21 | E8770 | Washer | 2 |
| 22 | F12004 | Spacer | 1 |
| 23 | 14-1303 | Nut | 1 |
| 24 | S2061 | Stud | 1 |
| 25 | E8770 | Washer | 2 |
| 26 | F12005 | Spacer | 1 |
| 27 | 14-1303 | Nut | 2 |
| 28 | S671 | Bolt | 1 |
| 29 | E8770 | Washer | 2 |
| 30 | 14-1303 | Nut | 1 |
| 31 | F13063 | Motor plate rear—L.H. | 1 |
| 32 | F12015 | Motor plate rear—R.H. | 1 |
| 33 | 14-0114 | Bolt | 4 |
| 34 | E3446 | Washer | 8 |
| 35 | 14-1302 | Nut | 4 |
| 36 | F12228 | Crankcase undershield | 1 |
| 37 | S543 | Bolt | 2 |
| 38 | E3302 | Washer | 2 |
| 39 | 14-0114 | Bolt | 2 |
| 40 | E3446 | Washer | 2 |
| 41 | 14-1302 | Nut | 2 |



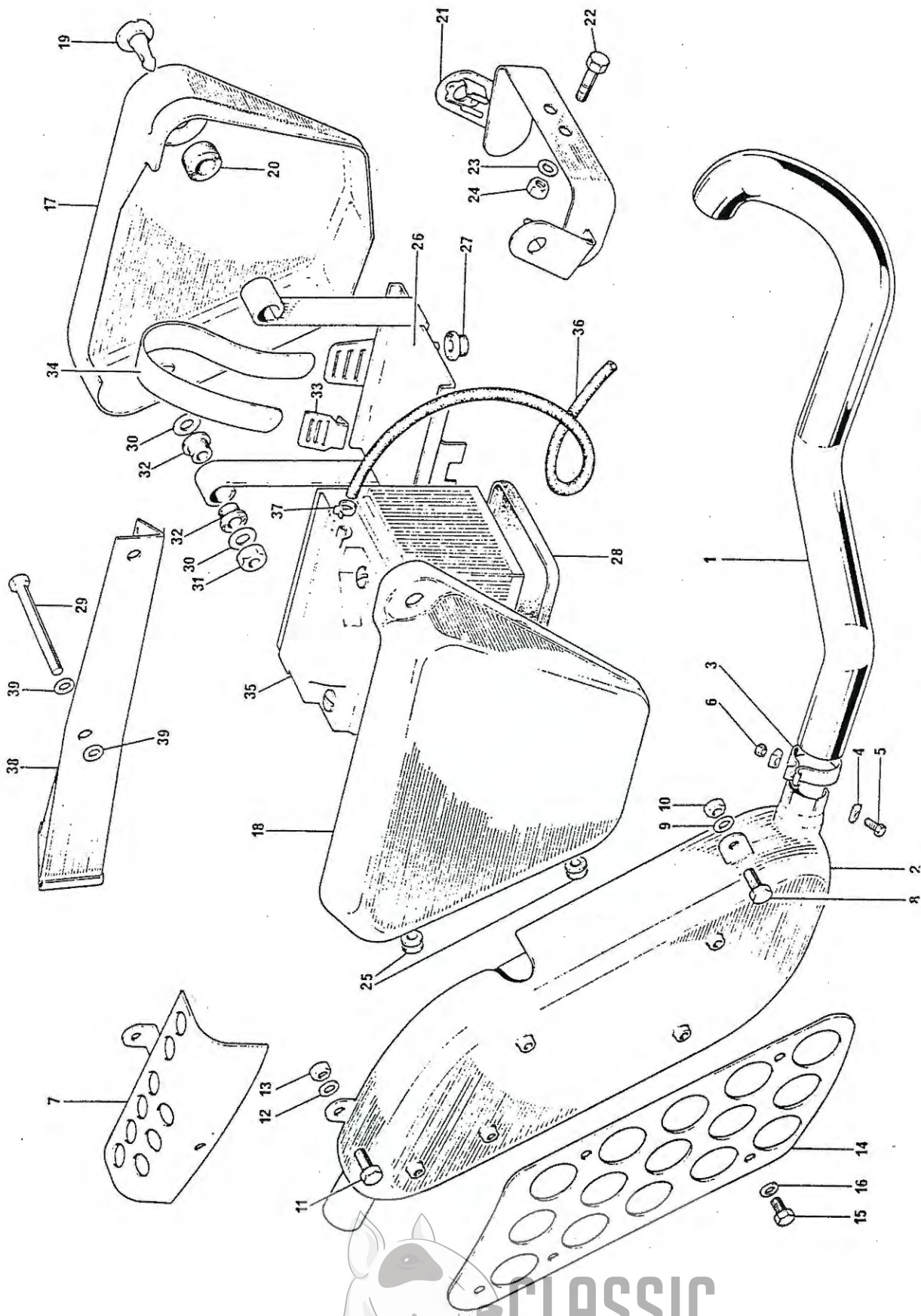


Fig. 7. EXHAUST SYSTEM, SIDE COVERS AND BATTERY

CLASSIC
BIKE SPARES

EXHAUST SYSTEM SIDE COVERS AND BATTERY

| Ref. No. | Part No. | DESCRIPTION | QUANTITY |
|------------|----------|----------------------------------|-----------|
| 1 | E12176 | Exhaust pipe | 1 |
| 2 | E12400 | Muffler | 1 |
| 3 | E2271 | Fixing clip | 1 |
| 4 | E3768 | D washer } Muffler to | 2 |
| 5 | 14-0218 | Bolt } exhaust pipe | 1 |
| 6 | 14-1302 | Nut } | 1 |
| 7 | E12402 | Tailpipe heatshield | 1 |
| 8 | 14-0113 | Bolt | 1 |
| 9 | F8981 | Washer } Muffler to lower fixing | 1 |
| 10 | 14-1302 | Nut | 1 |
| 11 | 14-0114 | Bolt | 1 |
| 12 | F8981 | Washer } Muffler to top fixing | 1 |
| 13 | 14-1302 | Nut | 1 |
| 14 | E12114 | Heatshield | 1 |
| 15 | 14-2203 | Screw | 5 |
| 16 | E8163 | Washer | 5 |
| 17 | F12937 | Side cover—L.H. | 1 |
| 18 | F12938 | Side cover—R.H. | 1 |
| 19 | OF522 | Oddie fastener (D3159) | 2 |
| 20 | OF618 | Rubber washer (D3160) | 2 |
| 21 | F13035 | Front fixing bracket | 1 |
| 22 | 14-0102 | Bolt } | 2 |
| 23 | S602 | Washer } Front fixing bracket | 2 |
| 24 | 14-1301 | Nut } | 2 |
| 25 | D3161 | Grommet | 4 |
| Not illus. | D3263 | Transfer | 1 (T25T) |
| Not illus. | D3264 | Transfer | 1 (T25SS) |
| 26 | F12018 | Battery carrier | 1 |
| 27 | F12006 | Locating rubber | 1 |
| 28 | F9003 | Support tray rubber | 1 |
| 29 | S2060 | Bolt | 2 |
| 30 | F11829 | Washer } Carrier | 4 |
| 31 | 14-1301 | Nut } support | 2 |
| 32 | F12204 | Rubber } | 4 |
| 33 | F9004 | Battery strap hook | 1 |
| 34 | F9005 | Battery strap | 1 |
| 35 | 54027029 | Battery PUZ 5A (99-0719) | 1 |
| 36 | F7431 | Vent pipe | 1 |
| 37 | D981 | Clip | 1 |
| 38 | F12671 | Tool tray | 1 |
| 39 | D2347 | Fixing washer | 4 |



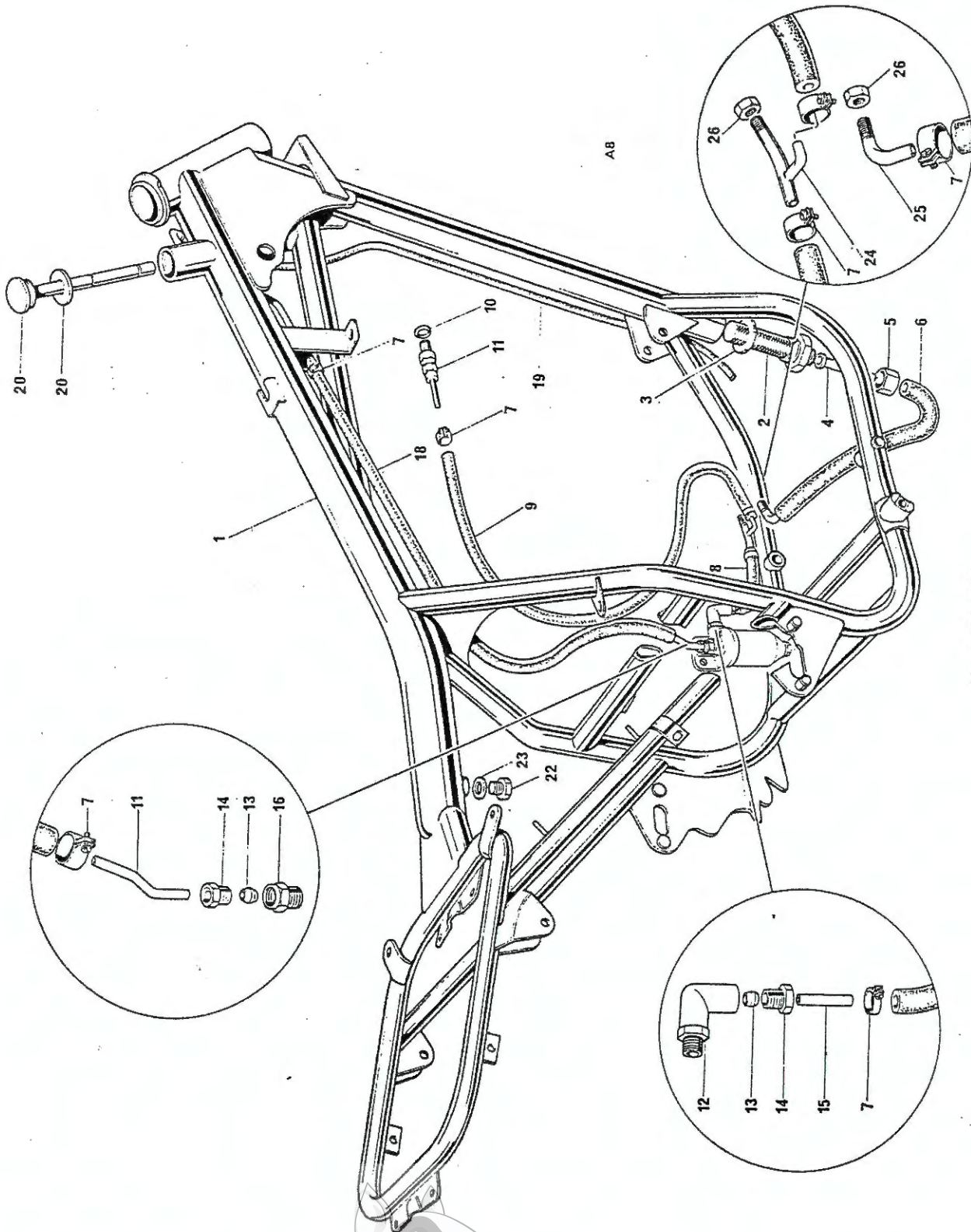


Fig. 8. FRAME

FRAME

| Ref. No. | Part No. | DESCRIPTION | QUANTITY |
|----------|----------|--|----------|
| 1 | F12985 | Frame complete | 1 |
| 2 | F9430 | Oil tank filter | 1 |
| 3 | F1713 | Fibre washer | 1 |
| 4 | F3655 | Oil feed pipe | 1 |
| 5 | F3182 | Union nut | 1 |
| 6 | F13078 | Oil feed pipe—frame to engine | 1 |
| 7 | E5473 | Clip—oil pipes | 7 |
| 8 | F13080 | Return pipe—engine to filter | 1 |
| 9 | E8084 | Rocker feed pipe | 1 |
| 10 | E12604 | Washer—oil filter inlet | 1 |
| 11 | E12603 | Nut—oil filter inlet | 1 |
| 12 | E12602 | Adaptor—oil filter inlet | 1 |
| 13 | D3065 | Sleeve | 2 |
| 14 | E12605 | Union nut | 2 |
| 15 | E12606 | Connecting tube—oil filter inlet | 1 |
| 16 | F8901 | Adaptor—oil filter outlet | 1 |
| 17 | F13081 | Connecting tube—oil filter outlet | 1 |
| 18 | F13079 | Return pipe—filter to frame | 1 |
| 19 | F13077 | Breather pipe | 1 |
| 20 | F13046 | Filler cap and dipstick assembly | 1 |
| 21 | E3751 | Joint washer | 1 |
| 22 | S2015 | Drain plug | 1 |
| 23 | PT104B | Joint washer | 1 |
| 24 | E12656 | Oil scavenge pipe | 1 |
| 25 | E12658 | Oil feed pipe | 1 |
| 26 | S2117 | Nut-feed and scavenge pipes | 2 |



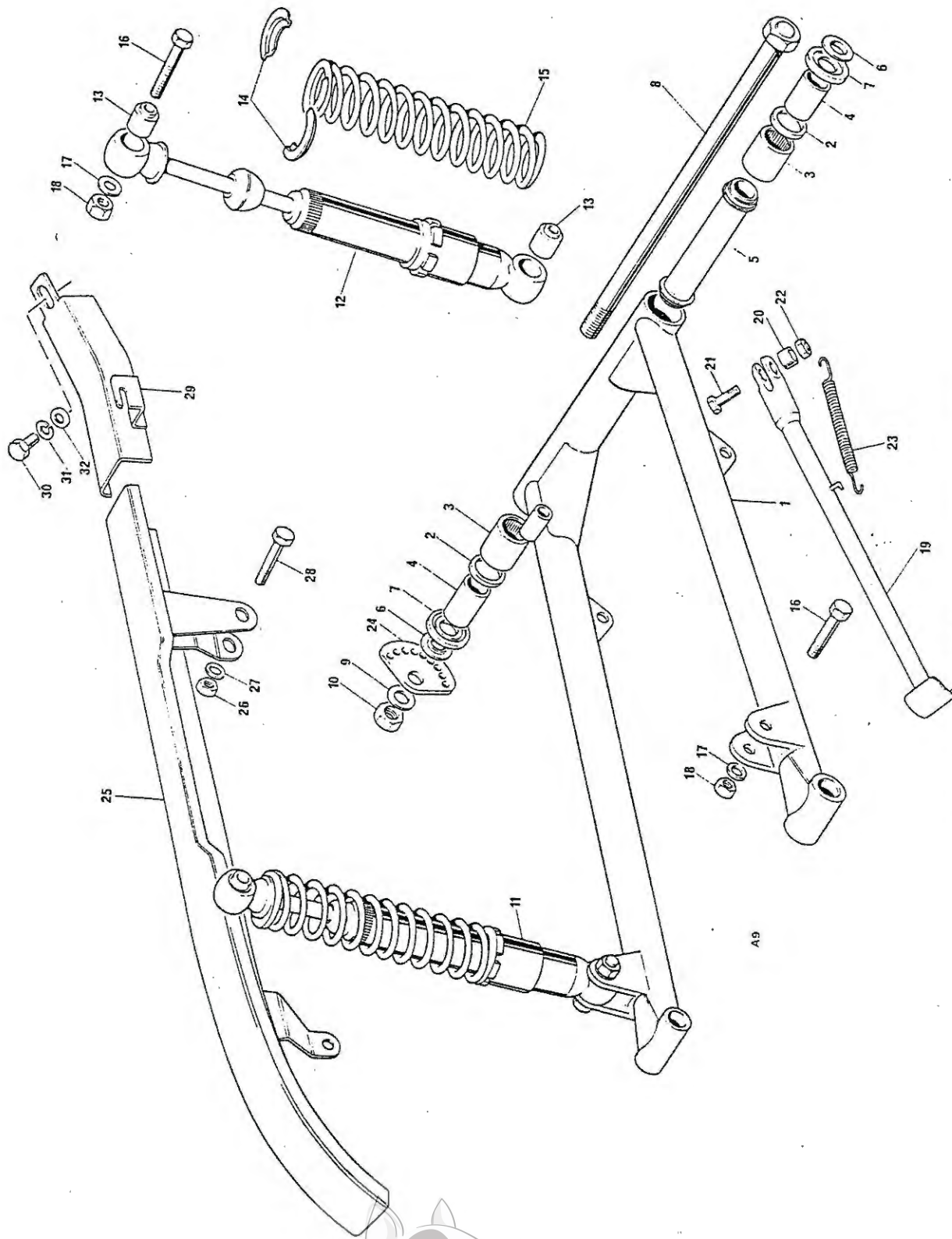


Fig. 9. SWINGING ARM AND SUSPENSION UNITS

SWINGING ARM AND SUSPENSION UNITS

| Ref. No. | Part No. | DESCRIPTION | QUANTITY |
|----------|----------|--|----------|
| 1 | F12213 | Swinging arm | 1 |
| 2 | F12244 | Oil seal | 2 |
| 3 | F12245 | Bearing | 2 |
| 4 | F12012 | Sleeve | 2 |
| 5 | F11969 | Spacer tube | 1 |
| 6 | F12233 | Thrust washer | 2 |
| 7 | F13014 | Seal | 2 |
| 8 | F13554 | Spindle | 1 |
| 9 | W2085 | Washer | 1 |
| 10 | S755 | Nut | 1 |
| 11 | 64052453 | Suspension unit (D3116) | 2 |
| 12 | 2455 | Damper unit (99-1185) | 2 |
| 13 | 64533 | Bonded bush (99-1186) | 4 |
| 14 | 9054/171 | Spring retainer (99-0107) | 4 |
| 15 | 64543708 | Spring (100 lb.) (G.G.) (99-1048) | 4 |
| 16 | 14-0234 | Bolt | 4 |
| 17 | D2322 | Washer | 4 |
| 18 | 14-1303 | Nut | 4 |
| 19 | F13162 | Prop stand | 1 |
| 20 | F13165 | Distance piece | 1 |
| 21 | S2105 | Screw | 1 |
| 22 | 14-1303 | Nut | 1 |
| 23 | F12898 | Spring | 1 |
| 24 | F13556 | Adjuster, rear chain | 1 |
| 25 | F12224 | Rear chainguard | 1 |
| 26 | 14-1302 | Nut | 1 |
| 27 | D2339 | Washer | 1 |
| 28 | 14-0221 | Bolt | 1 |
| 29 | F12674 | Chainguard extension | 1 |
| 30 | 14-6101 | Bolt | 1 |
| 31 | D2417 | Spring washer | 1 |
| 32 | D2329 | Washer | 1 |



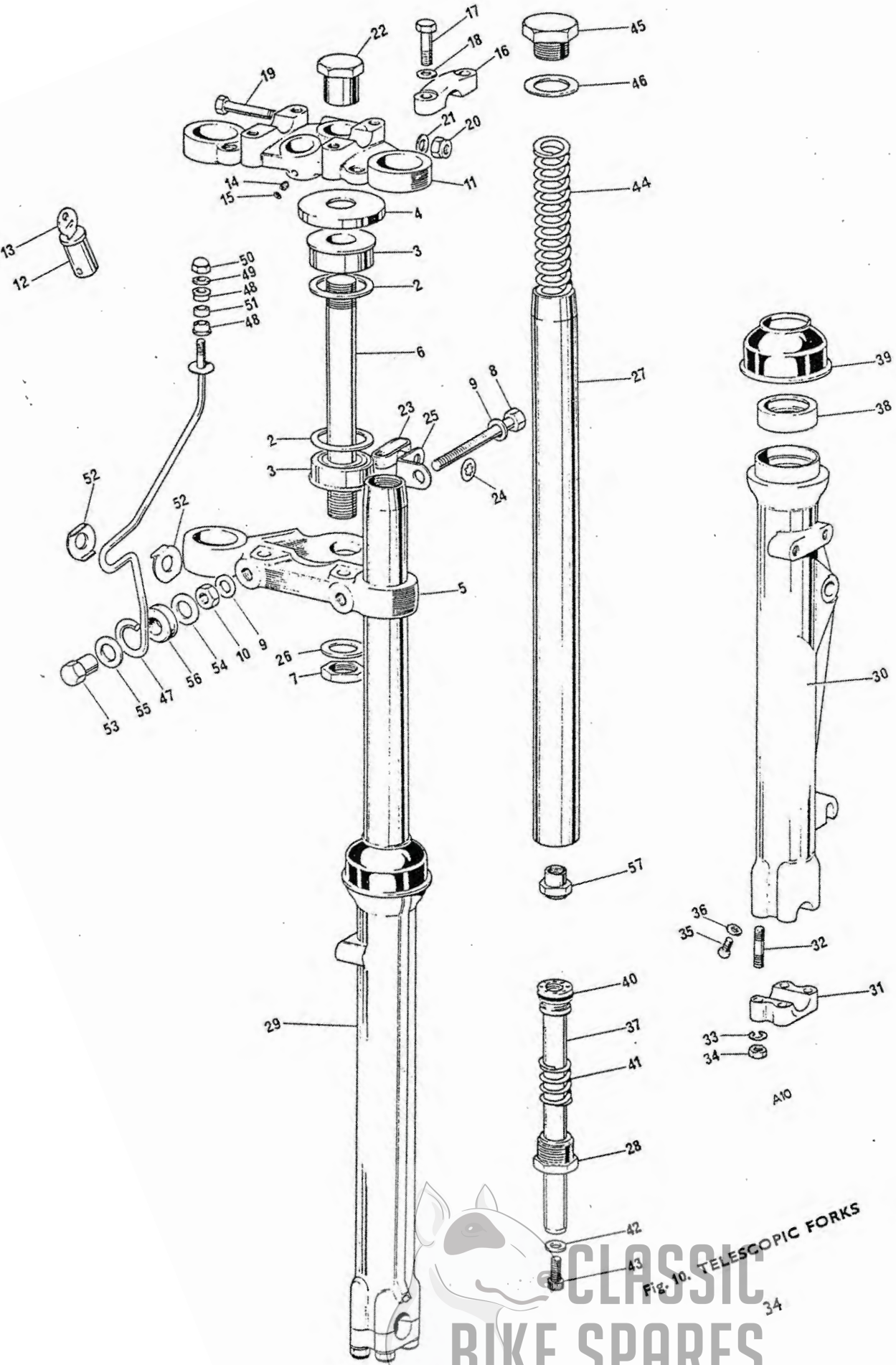


Fig. 10. TELESCOPIC FORKS

CLASSIC BIKE SPARES

TELESCOPIC FORKS

| Ref. No. | Part No. | DESCRIPTION | QUANTITY |
|----------|----------|---------------------------------|----------------|
| 1 | H4113 | FORK ASSEMBLY | 1 |
| 2 | F12007 | Abutment ring | 2 |
| 3 | H4031 | Bearing | 2 |
| 4 | H4028 | Dust cover | 1 |
| 5 | H3987 | Bottom yoke | 1 |
| 6 | H4116 | Steering stem | 1 |
| 7 | 14-7308 | Steering stem nut | 1 |
| 8 | 14-0240 | Pinch bolt | 2 |
| 9 | S2138 | Washer } Bottom yoke | 4 |
| 10 | 14-1203 | Nut } Bottom yoke | 2 |
| 11 | H3985 | Top yoke | 1 |
| 12 | F6738 | Anti theft lock c/w key | 1 |
| 13 | D623 | Key (state serial no.) | 1 |
| 14 | S578 | Grub screw | 1 |
| 15 | H2266 | Sealing washer | 1 |
| 16 | H722 | Handlebar cap | 2 |
| 17 | 14-6219 | Bolt | 4 |
| 18 | F13549 | Washer | 4 |
| 19 | 14-0236 | Pinch bolt | 1 |
| 20 | 14-1303 | Nut } Top yoke | 1 |
| 21 | S2138 | Washer } Top yoke | 1 |
| 22 | H4029 | Steering stem nut | 1 |
| 23 | H2270 | Brake cable retainer | 2 |
| 24 | F8245 | Washer | 2 |
| 25 | H3682 | Retaining bracket | 2 |
| 26 | D2336 | Washer—bottom steering stem nut | 1 (T25SS only) |
| 27 | H4007 | Stanchion | 2 |
| 28 | H4076 | End plug | 2 |
| 29 | H3952 | Outer member—L.H. | 1 |
| 30 | H3989 | Outer member—R.H. | 1 |
| 31 | H3947 | Cap—wheel spindle | 2 |
| 32 | S2102 | Stud | 8 |
| 33 | 14-0302 | Nut | 8 |
| 34 | D2428 | Washer | 8 |
| 35 | H3894 | Drain plug | 2 |
| 36 | H3893 | Washer | 2 |
| 37 | H4200 | Damper tube and valve assembly | 2 |
| 38 | H4001 | Oil seal outer member | 2 |
| 39 | H4002 | Scraper sleeve | 2 |
| 40 | H4003 | "O" ring | 2 |
| 41 | H4009 | Spring | 2 |
| 42 | H4004 | Sealing washer | 2 |
| 43 | H4012 | Bolt | 2 |
| 44 | H4011 | Main spring | 2 |
| 45 | H4008 | Top cap nut | 2 |
| 46 | H4166 | Washer, fork top nut | 2 |



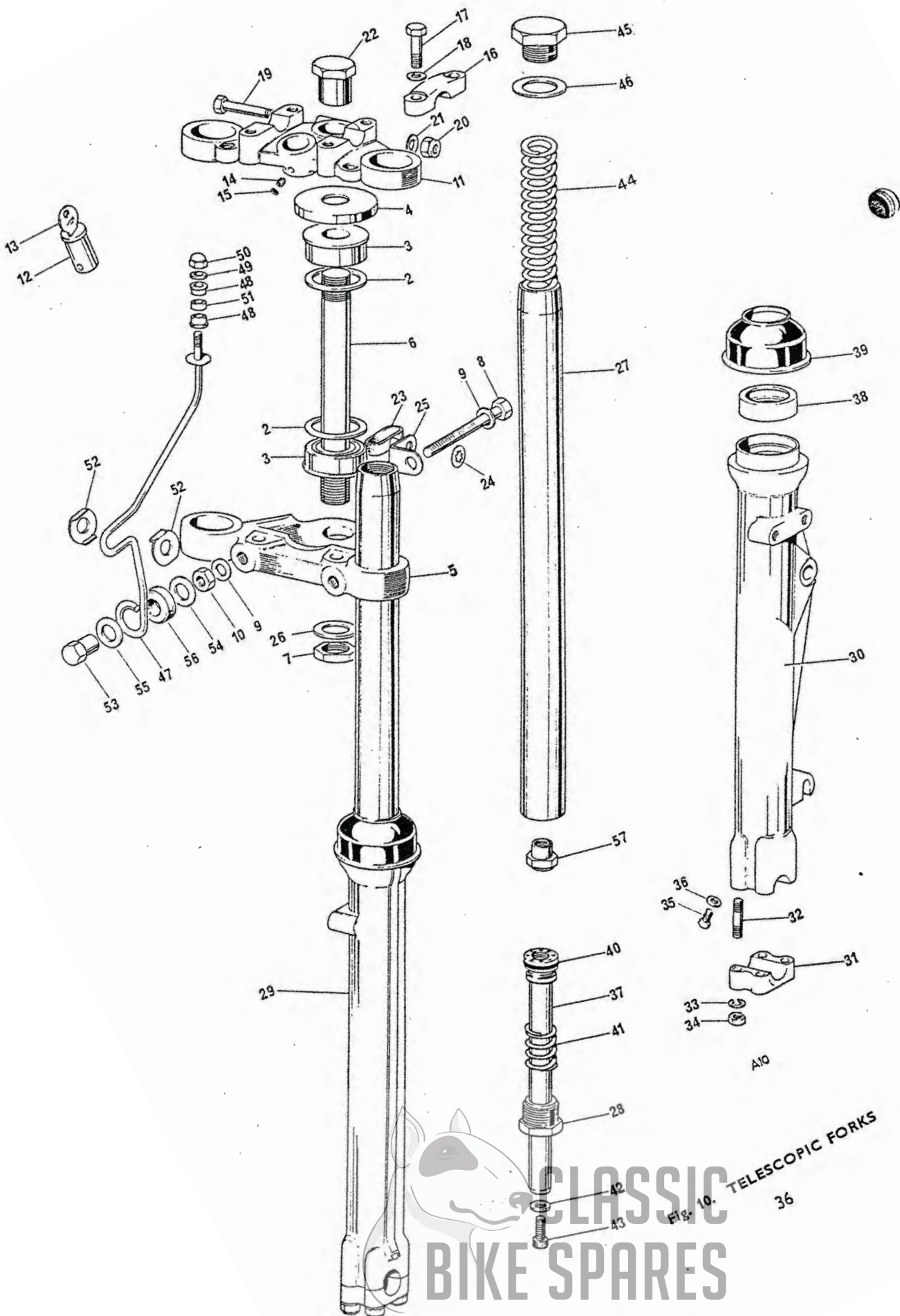


Fig. 10. TELESCOPIC FORKS
36

CLASSIC BIKE SPARES

TELESCOPIC FORKS *continued*

| Ref. No. | Part No. | Description | Quantity |
|----------|----------|------------------------|----------|
| 47 | H4048 | Headlamp bracket—L.H. | 1 |
| 47 | H4050 | Headlamp bracket—R.H. | 1 |
| 48 | F12209 | Headlamp mounting bush | 4 |
| 49 | D2338 | Washer | 2 |
| 50 | S1809 | Nut | 2 |
| 51 | F12211 | Spacer | 2 |
| 52 | F12216 | Clamp washer | 4 |
| 53 | S2062 | Sleeve nut | 2 |
| 54 | F9046 | Washer | 2 |
| 55 | D2333 | Washer | 2 |
| 56 | D2630 | Rubber grommet | 2 |
| 57 | H4012 | Nut-damper valve | 1 |



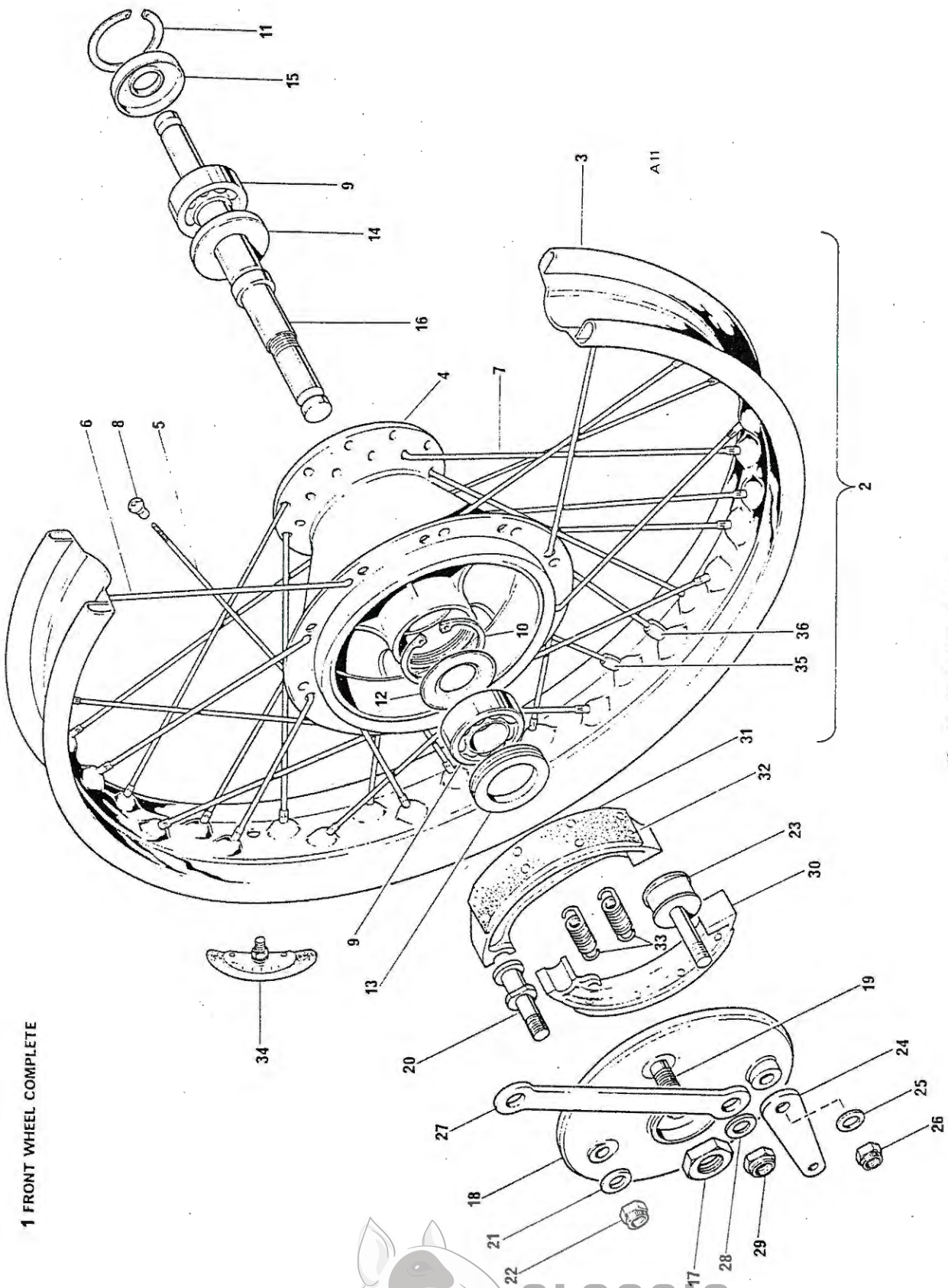
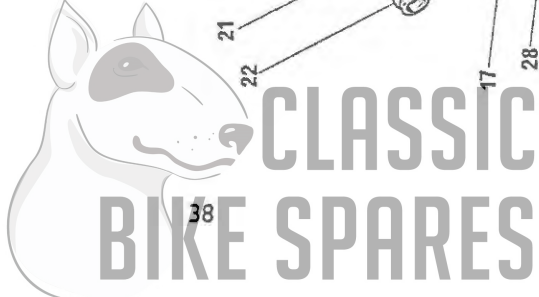


Fig. 11. FRONT WHEEL



FRONT WHEEL

| Ref. No. | Part No. | DESCRIPTION | QUANTITY | Notes |
|----------|-----------|--|----------|-------------|
| 1 | W3792 | FRONT WHEEL COMPLETE | 1 | (T25T) |
| 1 | W3890 | FRONT WHEEL COMPLETE | 1 | (T25SS) |
| 2 | W3794 | Rim, spokes and hub assembly | 1 | (T25T) |
| 2 | W3891 | Rim, spokes and hub assembly | 1 | (T25SS) |
| 3 | W3795 | Front wheel rim (WM1 x 20) | 1 | (T25T) |
| 3 | W3892 | Front wheel rim (WM2 x 18) | 1 | (T25SS) |
| 4 | W3702 | Brake drum and hub | 1 | |
| 5 | W3695 | Spoke (R.H. inner) | 10 | (T25T) |
| 5 | W3893 | Spoke (R.H. inner) | 10 | (T25SS) |
| 6 | W3696 | Spoke (R.H. outer) | 10 | (T25T) |
| 6 | W3894 | Spoke (R.H. outer) | 10 | (T25SS) |
| 7 | W3697 | Spoke (L.H.) | 20 | (T25T) |
| 7 | W3895 | Spoke (L.H.) | 20 | (T25SS) |
| 8 | W2294 | Nipple | 40 | |
| 9 | W653 | Bearing | 2 | |
| 10 | D2632 | Circlip—R.H. | 2 | |
| 11 | T280 | Circlip—L.H. | 1 | |
| 12 | W3797 | Grease retainer | 1 | |
| 13 | W3759 | Locking ring | 1 | |
| 14 | W1481 | Grease cap (inner) | 1 | |
| 15 | W1237 | Grease cap (outer) | 1 | |
| 16 | W3796 | Spindle | 1 | |
| 17 | W2058 | Spindle locknut | 1 | |
| 18 | W3704 | Brake anchor plate | 1 | |
| 19 | S2063 | Stud-anchor plate torque reaction | 1 | |
| 20 | W3798 | Fulcrum pin } Anchor | 1 | |
| 21 | D2331 | Washer } plate | 1 | |
| 22 | 14-1303 | Nut } | 1 | |
| 23 | W3799 | Brake cam | 1 | |
| 24 | W3694 | Brake lever | 1 | |
| 25 | D2331 | Washer } Brake | 1 | |
| 26 | 14-1303 | Nut } lever | 1 | |
| 27 | F12660 | Front brake anchor strap | 1 | |
| 28 | D2332 | Washer } Anchor | 2 | |
| 29 | 14-1304 | Nut } strap | 2 | |
| 30 | W3804 | BRAKE SHOE C/W LINING | 2 | |
| 31 | Ref. only | Lining | 1 | } each shoe |
| 32 | Ref. only | Rivet | 8 | |
| 33 | W2328 | Return spring | 2 | |
| 34 | W3584 | Security bolt | 1 | (T25T) |
| 34 | W3969 | Balance weight (½ oz.) | | As required |
| 35 | W3970 | Balance weight (1 oz.) | | As required |



1 REAR WHEEL COMPLETE

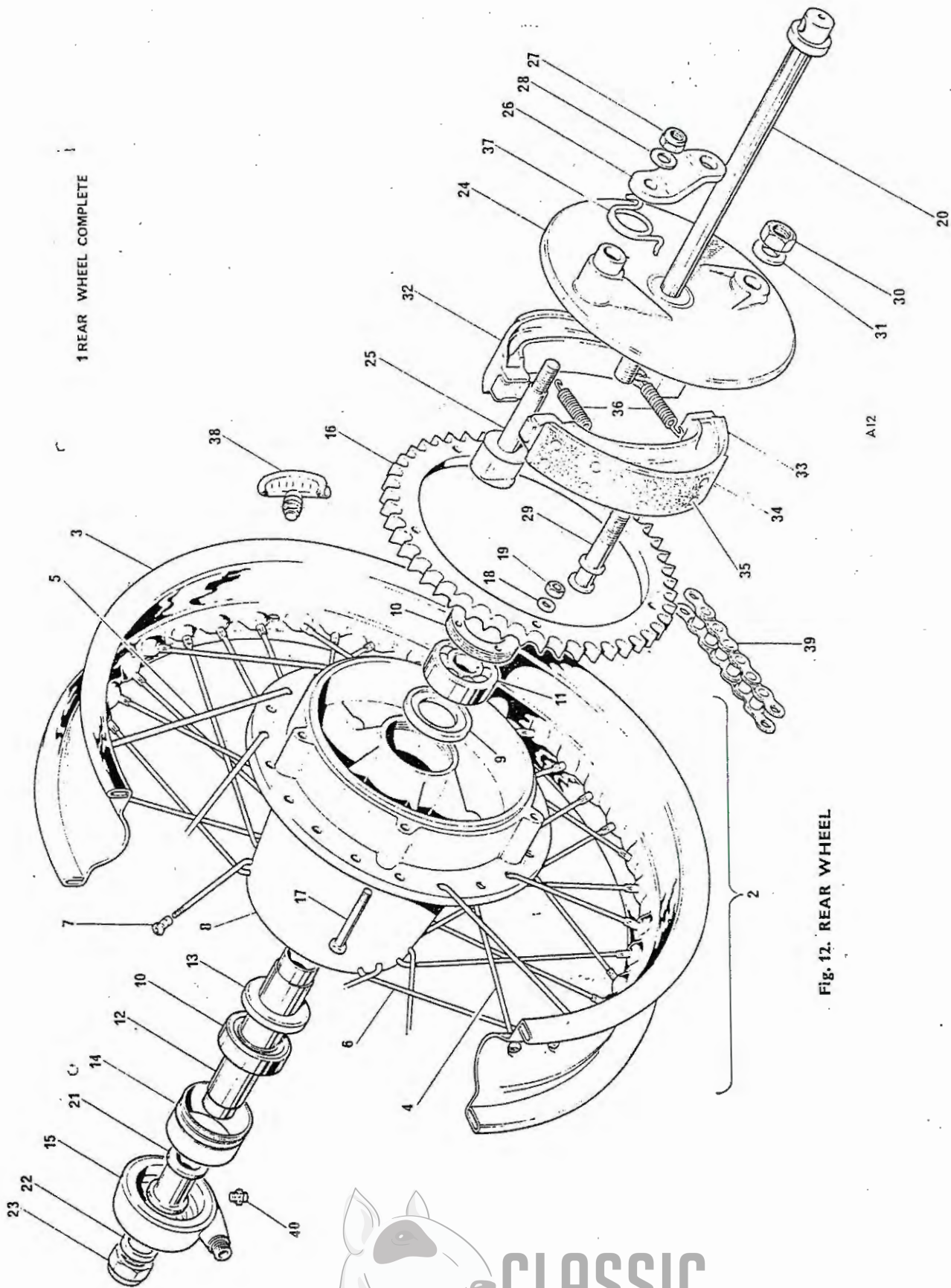


Fig. 12. REAR WHEEL

REAR WHEEL

| Ref. No. | Part No. | DESCRIPTION | QUANTITY | Notes |
|----------|-----------|---|----------|-------------|
| 1 | W3780 | REAR WHEEL COMPLETE | 1 | (T25T) |
| 1 | W3781 | REAR WHEEL COMPLETE | 1 | (T25SS) |
| 2 | W3782 | Rim, spokes and hub assembly | 1 | (T25T) |
| 2 | W3783 | Rim, spokes and hub assembly | 1 | (T25SS) |
| 3 | W3784 | Rim (WM 3 x 18) | 1 | (T25T) |
| 3 | W3785 | Rim (WM 2 x 18) | 1 | (T25SS) |
| 4 | W3724 | Spoke (L.H. inner) | 10 | |
| 5 | W3725 | Spoke (L.H. outer) | 10 | |
| 6 | W3726 | Spoke (R.H.) | 20 | |
| 7 | W2294 | Nipple | 40 | |
| 8 | W3773 | Drum and hub | 1 | |
| 9 | W3749 | Bearing support ring | 1 | |
| 10 | W653 | Bearing | 2 | |
| 11 | W3752 | Locking ring | 1 | |
| 12 | W3753 | Bearing spacer | 1 | |
| 13 | W1654 | Grease retainer | 1 | |
| 14 | W3751 | Speedometer drive ring | 1 | |
| 15 | D3214 | Speedometer gearbox (BG5330/24) | 1 | (T25SS) |
| 15 | D3215 | Speedometer gearbox (BG5330/104) | 1 | (T25T) |
| 16 | W3741 | Rear wheel sprocket—52T | 1 | |
| 17 | 14-0207 | Bolt | 5 | |
| 18 | D2320 | Washer } Sprocket to hub | 5 | |
| 19 | 14-1301 | Nut } | 5 | |
| 20 | W3774 | Spindle | 1 | |
| 21 | W3750 | Distance piece | 1 | |
| 22 | F12266 | Washer—spindle | 1 | |
| 23 | 14-1307 | Nut—spindle | 1 | |
| 24 | W3857 | Brake anchor plate | 1 | |
| 25 | W3872 | Brake cam | 1 | |
| 26 | W3877 | Brake lever | 1 | |
| 27 | 14-1303 | Nut } Brake | 1 | |
| 28 | D2331 | Washer } lever | 1 | |
| 29 | W3962 | Rear brake pivot | 1 | |
| 30 | 14-1305 | Nut } Torque arm | 1 | |
| 31 | D2333 | Washer } to pivot | 1 | |
| 32 | W3873 | BRAKE SHOE C/W LINING (Leading) | 1 | |
| 33 | W3874 | BRAKE SHOE C/W LINING (Trailing) | 1 | |
| 34 | Ref. only | Lining | 1 | } each shoe |
| 35 | Ref. only | Rivet | 8 | |
| 36 | W2328 | Return spring—brake shoe | 2 | |
| 37 | W3880 | Return spring—brake lever | 1 | |
| 38 | W3468 | Security bolt | 2 | (T25T) |
| 39 | D3490 | Rear chain (108 links) | 1 | |
| 40 | D1841 | Grease nipple | 1 | |
| 41 | WE170 | Fibre washer | 1 | |



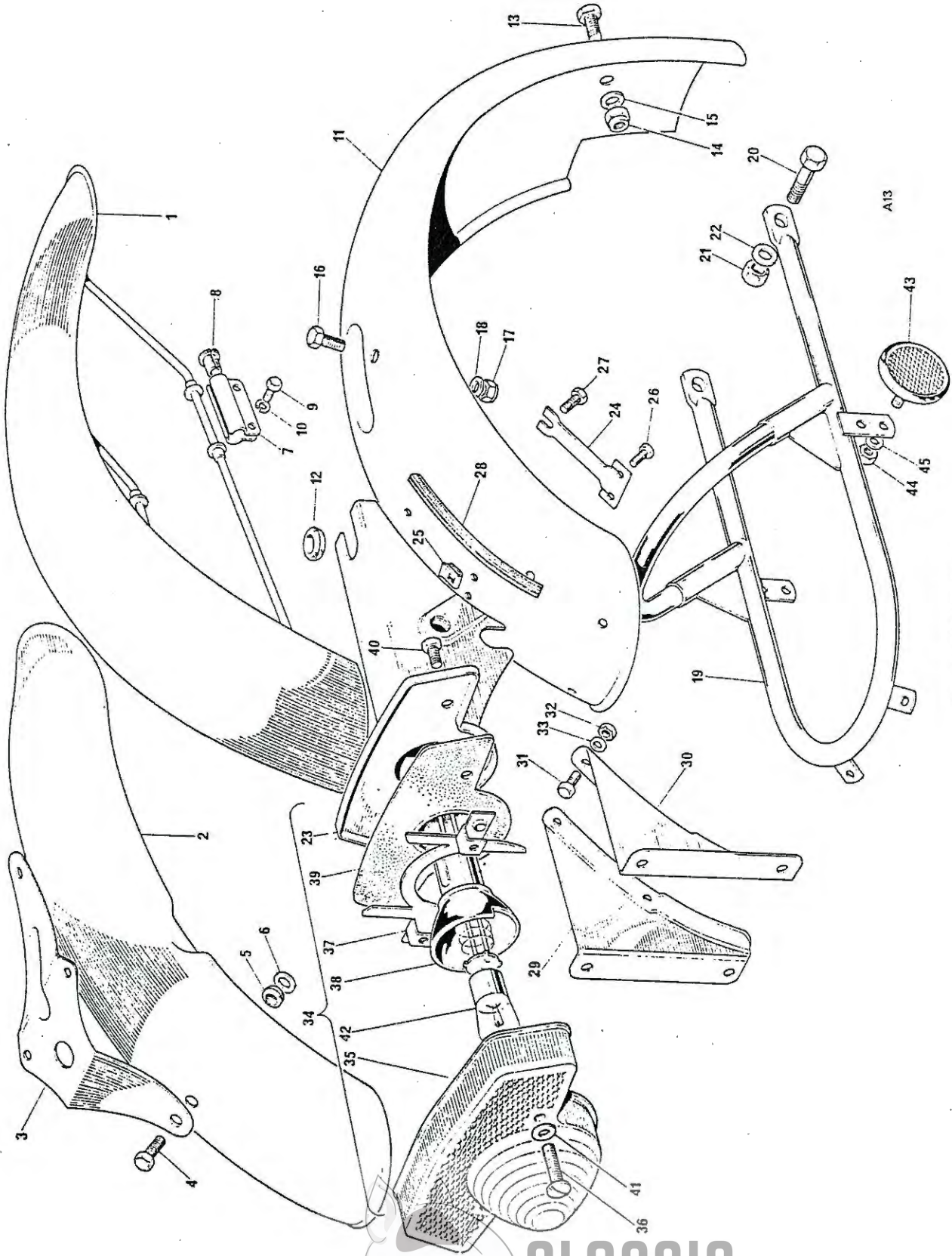


FIG. 13. FENDERS

CLASSIC
BIKE SPARES

FENDERS

| | | | |
|----|----------|---|----------------|
| 1 | H4052 | Front fender | 1 (T25SS) |
| 2 | H4154 | Front fender | 1 (T25T) |
| 3 | H4075 | Bracket | 1 (T25T) |
| 4 | 14-0114 | Bolt | 2 (T25T) |
| 5 | D3242 | Grommet | 2 (T25T) |
| 6 | D2348 | Washer | 2 (T25T) |
| 7 | H4022 | Bracket | 1 (T25SS) |
| 8 | H4021 | Rubber bush | 4 (T25SS) |
| 9 | 14-0103 | Bolt | 4 (T25SS) |
| 10 | D2427 | Washer | 4 (T25SS) |
| 11 | F12263 | Rear fender | 1 |
| 12 | D3291 | Grommet | 2 |
| 13 | 14-0101 | Bolt | 1 |
| 14 | 14-1301 | Nut } Rear fender to frame—bottom | 1 |
| 15 | S602 | Washer } | 1 |
| 16 | 14-0101 | Bolt | 4 |
| 17 | 14-1301 | Nut } Rear fender to frame—top | 4 |
| 18 | S602 | Washer } | 4 |
| 19 | F13174 | Support rail | 1 |
| 20 | 14-0102 | Bolt | 2 |
| 21 | 14-1301 | Nut } Support rail to frame | 2 |
| 22 | S602 | Washer } | 2 |
| 23 | F12693 | Tail lamp support bracket | 1 |
| 24 | F13254 | Triple "cee" washer | 1 |
| 25 | D3313 | Spine nut | 1 |
| 26 | 14-0101 | Bolt } Tail lamp support bracket | 2 |
| 27 | 14-6101 | Bolt } rear fixing | 1 |
| 28 | F13212 | Rubber beading strip | 2 |
| 29 | F12727 | Rear number plate bracket—L.H. | 1 |
| 30 | F12728 | Rear number plate bracket—R.H. | 1 |
| 31 | 14-0101 | Bolt | 2 |
| 32 | 14-1301 | Nut } Number plate bracket to fender—lower | 2 |
| 33 | D2329 | Washer } | 2 |
| 34 | 53973 | STOP-TAIL LAMP (99-0597) | 1 |
| 35 | 54577109 | Lens and window (99-1046) | 1 |
| 36 | 144921 | Screw (99-1189) | 2 |
| 37 | 54525286 | Lamp base | Reference only |
| 38 | 573828 | Bulbholder | Reference only |
| 39 | 54571677 | Gasket | Reference only |
| 40 | 110714 | Screw | Reference only |
| 41 | 188330 | Washer | Reference only |
| 42 | 380 | Bulb (99-0542) | 1 |
| 43 | 57079 | Reflector—red (99-1162) | 2 |
| 44 | F4717 | Nut } Reflector | 2 |
| 45 | D2391 | Washer } attachment | 2 |



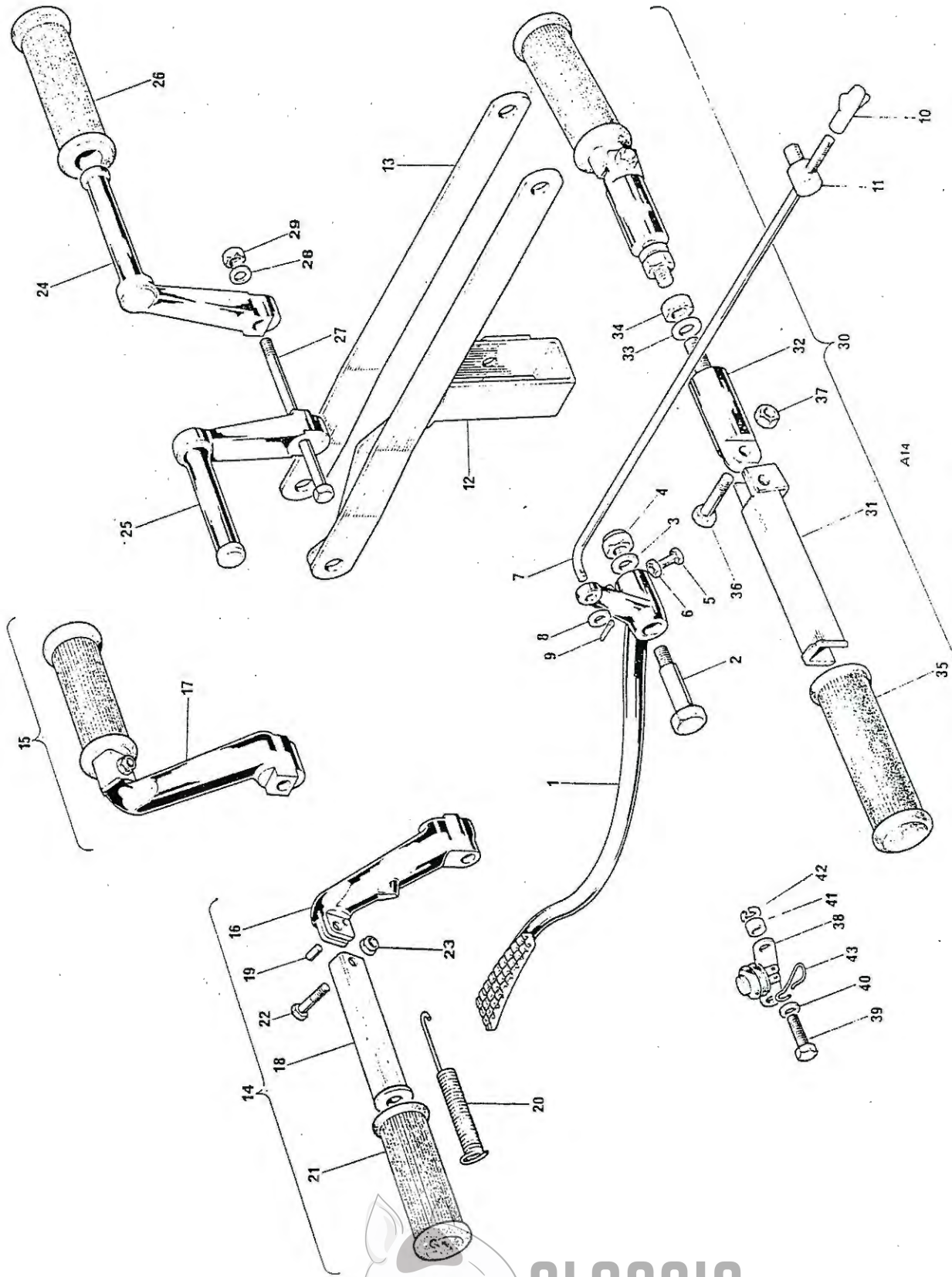


Fig. 14. BRAKE PEDAL AND FOOTRESTS

BRAKE PEDAL AND FOOTRESTS

| | | | |
|----|---------|--|-----------|
| 1 | F12040 | Brake pedal | 1 |
| 2 | S2045 | Pivot pin | 1 |
| 3 | E8084 | Washer | 1 |
| 4 | 14-1303 | Nut | 1 |
| 5 | 14-0103 | Adjuster screw | 1 |
| 6 | 14-1301 | Adjuster nut | 1 |
| 7 | F12616 | Rear brake rod | 1 |
| 8 | D2393 | Washer | 1 |
| 9 | — | Split pin ($\frac{1}{16}$ in. x $\frac{3}{8}$ in.) } Brake rod | Ref. only |
| 10 | F7387 | Adjuster nut } Brake rod | 1 |
| 11 | W1467 | Pivot pin } Brake rod | 1 |
| 12 | F12022 | Chain guide and torque arm | 1 (T25T) |
| 13 | F12023 | Torque arm | 1 (T25SS) |
| 14 | F12781 | FOLDING FOOTREST ASSEMBLY—L.H. | 2 |
| 15 | F13013 | FOLDING FOOTREST ASSEMBLY—R.H. | 1 |
| 16 | F12218 | Footrest bracket—L.H. | 1 |
| 17 | F12220 | Footrest bracket—R.H. | 1 |
| 18 | F13092 | Footrest | 2 (T25T) |
| 19 | F13094 | Anchor pin | 2 |
| 20 | F13095 | Return spring | 2 |
| 21 | F9050 | Footrest rubber | 2 |
| 22 | 14-0216 | Bolt } Footrest | 2 |
| 23 | 14-1302 | Nut } to bracket | 2 |
| 24 | F13017 | Footrest—R.H. | 1 (T25SS) |
| 25 | F13015 | Footrest—L.H. | 1 |
| 26 | F13548 | Footrest rubber | 2 |
| 27 | S2094 | Bolt | 1 |
| 28 | E8084 | Washer } Footrest attachment | 1 |
| 29 | 14-1303 | Nut } Footrest attachment | 1 |
| 30 | F13032 | PILLION FOOTREST ASSEMBLY | 2 |
| 31 | F9053 | Footrest | 1 |
| 32 | F12617 | Hanger | 1 |
| 33 | E1330 | Washer | 1 |
| 34 | 14-1303 | Nut | 1 |
| 35 | F9054 | Footrest rubber | 1 |
| 36 | 14-0216 | Bolt | 1 |
| 37 | 14-1302 | Washer | 1 |
| 38 | 34815 | Stop light switch (99-1028) | 1 |
| 39 | E3197 | Screw | 2 |
| 40 | G5511 | Washer | 2 |
| 41 | F7044 | Distance piece | 2 |
| 42 | D2426 | Spring washer | 2 |
| 43 | E9122 | Cable clip (stop switch lead) | 1 |



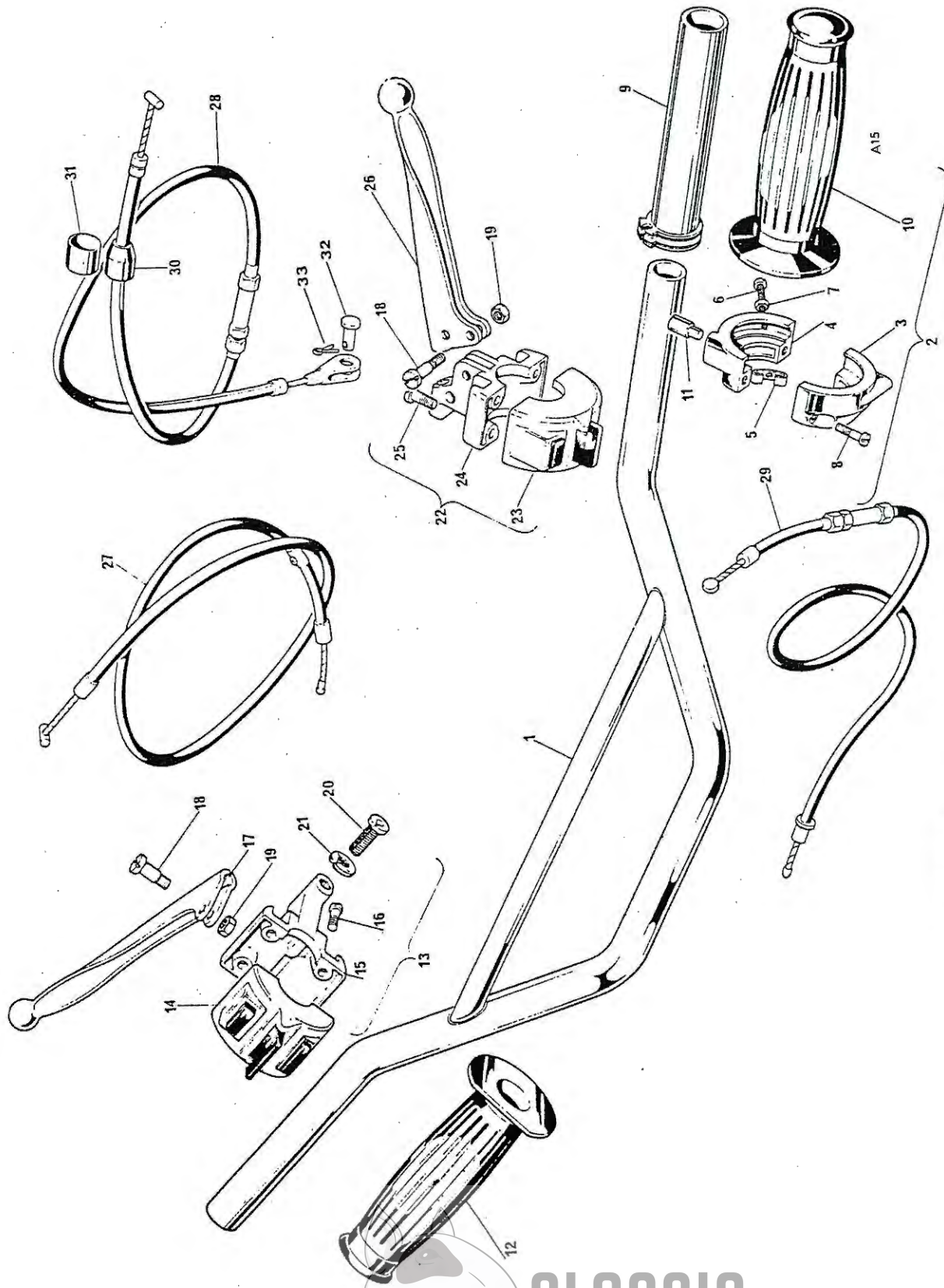
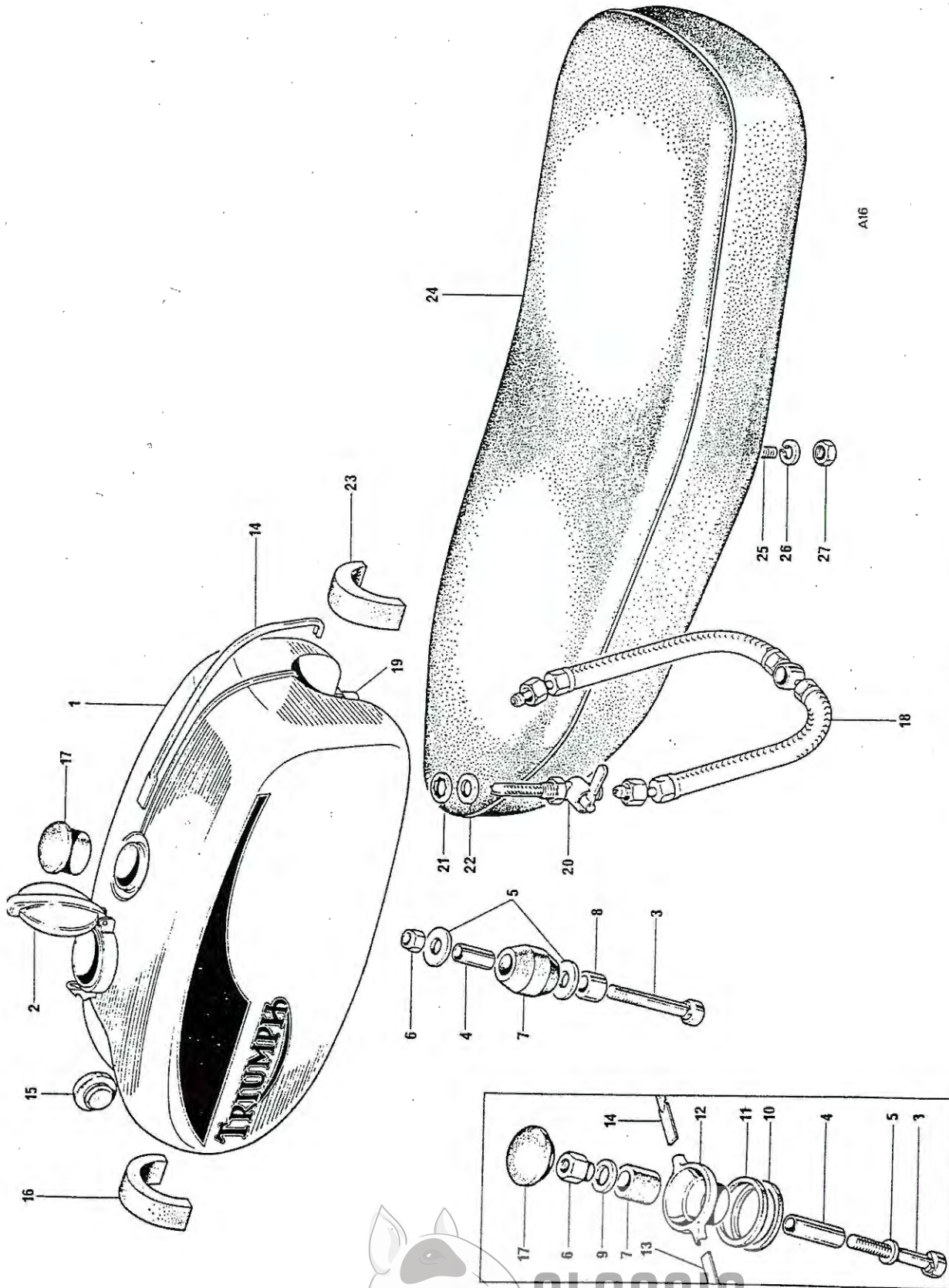


Fig. 15. HANDLEBARS, CONTROL LEVERS AND CABLES

HANDLEBARS, CONTROL LEVERS AND CABLES

| | | | |
|----|----------|--|-----------|
| 1 | H4173 | Handlebar | 1 (T25SS) |
| 1 | H4062 | Handlebar | 1 (T25T) |
| 2 | 16/364 | TWISTGRIP (99-0248) | 1 |
| 3 | 16/328 | Body, top half (99-0245) | 1 |
| 4 | 16/329 | BODY BOTTOM HALF (99-0246) | 1 |
| 5 | 16/008 | Spring | Ref. only |
| 6 | 16/009 | Screw | Ref. only |
| 7 | 16/010 | Locknut | Ref. only |
| 8 | 11/014 | Screw (99-0226) | 2 |
| 9 | 16/091 | Rotor (99-0244) | 1 |
| 10 | D958 | Handlebar grip | 1 |
| 11 | 16/011 | Cable stop (99-0241) | 1 |
| 12 | D959 | Handlebar grip | 1 |
| 13 | 39595 | HANDLEBAR SWITCH—L.H. (COMPLETE) | Ref. only |
| 14 | 54033666 | Switch half | Ref. only |
| 15 | 54340883 | Lever half (99-1215) | 1 |
| 16 | 54115246 | Screw (99-1188) | 4 |
| 17 | D2627 | Clutch lever (forged) | 1 (T25T) |
| 17 | D3144 | Clutch lever (Pressed) | 1 (T25SS) |
| 18 | S2048 | Pivot pin | 2 |
| 19 | 14-1301 | Nut | 2 |
| 20 | 18/1708 | Cable adjuster (99-0031) | 2 |
| 21 | 18/1709 | Adjuster nut (99-1059) | 2 |
| 22 | 39596 | HANDLEBAR SWITCH—R.H. (COMPLETE) | Ref. only |
| 23 | 54033667 | Switch half | Ref. only |
| 24 | 54340882 | Lever half (99-1187) | 1 |
| 25 | 54115246 | Screw (99-1188) | 4 |
| 26 | D2628 | Brake lever (forged) | 1 (T25T) |
| 26 | D3143 | Brake lever (pressed) | 1 (T25SS) |
| 27 | D2083 | Clutch cable | 1 |
| 28 | D3390 | Brake cable | 1 |
| 29 | D962 | Throttle cable | 1 |
| 30 | D2085 | Front stop switch | Ref. only |
| 31 | D2086 | Cover, stop switch | 1 |
| 32 | WF32 | Clevis pin | 1 |
| 33 | — | Split pin ($\frac{1}{16}$ in. x $\frac{3}{8}$ in.) | Ref. only |





A16

Fig. 16. GAS TANKS AND TWINSEAT

GAS TANKS AND TWINSEAT

| | | | |
|------------|---------|---------------------------------------|-----------|
| 1 | F12270 | Gas tank (aluminium) | 1 (T25T) |
| 1 | F13051 | Gas tank (steel) | 1 (T25SS) |
| 2 | F11547 | Filler cap | 1 (T25T) |
| 2 | F13220 | Filler cap | 1 (T25SS) |
| Not illus. | D3157 | Transfer | 2 |
| 3 | F12776 | Centre fixing bolt | 1 |
| 4 | F9063 | Distance tube | 1 (T25T) |
| 4 | F13562 | Distance tube | 1 (T25SS) |
| 5 | F9065 | Washer | 2 (T25T) |
| 5 | F9196 | Washer | 2 (T25SS) |
| 6 | 14-1302 | Nut | 1 (T25T) |
| 6 | S1999 | Nut | 1 (T25SS) |
| 7 | F9064 | Mounting rubber | 1 (T25T) |
| 7 | F10260 | Mounting rubber | 1 (T25SS) |
| 8 | F3017 | Distance collar | 1 (T25T) |
| 9 | F13320 | Washer | 1 |
| 10 | F13321 | Washer | 1 |
| 11 | F13319 | Mounting ring | 1 |
| 12 | F9782 | Beading holder | 1 |
| 13 | F13055 | Trim strip—front | 1 |
| 14 | F13056 | Trim strip—rear | 1 |
| 15 | F9222 | Anti roll rubber | 2 |
| 16 | F12980 | Mounting rubber-top tube-front | 1 |
| 17 | F13069 | Grommet | 1 (T25T) |
| 17 | F13068 | Grommet | 1 (T25SS) |
| 18 | F13040 | Gas pipe | 1 |
| 19 | F12800 | Gas tap | 1 |
| 20 | F12801 | Gas tap—reserve | 1 |
| 21 | E7351 | Seal | 2 |
| 22 | F10002 | Washer | 2 |
| 23 | F13563 | Mounting rubber-top tube-rear | 1 |
| 24 | F13418 | Twinseat | 1 |
| 25 | S2109 | Stud | 2 |
| 26 | D2428 | Spring washer | 2 |
| 27 | 14-0302 | Nut | 2 |



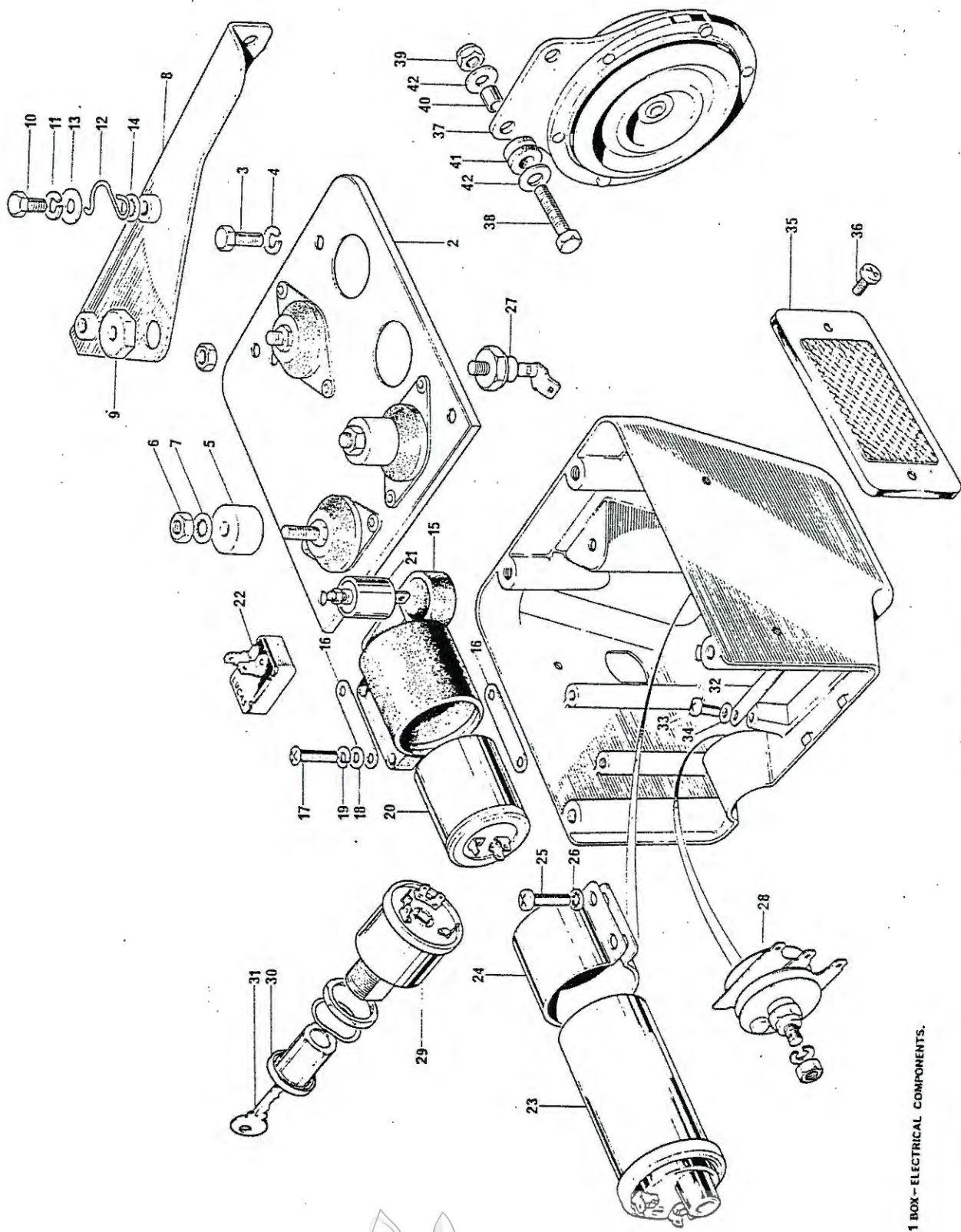


Fig. 17. ELECTRICAL BOX

1 BOX - ELECTRICAL COMPONENTS.

ELECTRICAL BOX

| Ref. No. | Part No. | Description | Quantity |
|------------|----------|---|----------|
| 1 | D2605 | Box—electrical components | 1 |
| 2 | F13625 | Cover | 1 |
| 3 | 14-6101 | Bolt | 4 |
| 4 | D2427 | Spring washer | 4 |
| 5 | F13629 | Spacer | 2 |
| 6 | 14-1301 | Nut | 2 |
| 7 | D2329 | Washer | 2 |
| 8 | F13622 | Horn mounting bracket | 1 |
| 9 | F13624 | Recess nut | 1 |
| 10 | 14-0103 | Bolt | 2 |
| 11 | D2427 | Spring washer | 2 |
| 12 | F13543 | Clip | 2 |
| 13 | D2329 | Washer | 4 |
| 14 | E1612 | Serrated washer | 1 |
| 15 | 54422860 | Rubber moulding (99-1199) | 1 |
| 16 | F12669 | Capacitor support plate | 2 |
| 17 | S2067 | Screw | 2 |
| 18 | E2351 | Washer | 2 |
| 19 | E8165 | Spring washer | 2 |
| 20 | 54170009 | Capacitor—2MC (99-0737) | 1 |
| 21 | 54420128 | Condenser (99-1043) | 1 |
| 22 | 35048 | Flasher unit (99-1201) | 1 |
| 23 | 45223 | H.T. coil (D2206) | 1 |
| 24 | 54419974 | Coil bracket (99-1202) | 1 |
| 25 | S2067 | Screw | 2 |
| 26 | E8165 | Shakeproof washer | 2 |
| 27 | 49345 | Zener diode (99-0589) | 1 |
| 28 | 49072 | Rectifier (99-0590) | 1 |
| 29 | 39565 | Switch, ignition and lighting (99-1200) | 1 |
| 30 | F6981 | Ignition lock c/w key | 1 |
| 31 | D622 | Key (state serial number) | 1 |
| 32 | F12670 | Terminal clamp strip | 1 |
| 33 | S1930 | Screw | 2 |
| 34 | E2351 | Washer | 2 |
| Not illus. | 54959680 | Sub-harness—electrical box | 1 |
| 35 | 57160 | Reflector 0 amber (99-1119) | 2 |
| 36 | S2073 | Screw | 4 |
| 37 | 70216 | Horn—6H high note (99-1216) | 1 |
| 38 | 14-0102 | Bolt | 2 |
| 39 | 14-1301 | Nut | 2 |
| 40 | F13604 | Spacer | 2 |
| 41 | D3161 | Grommet | 2 |
| 42 | D2347 | Washer | 4 |



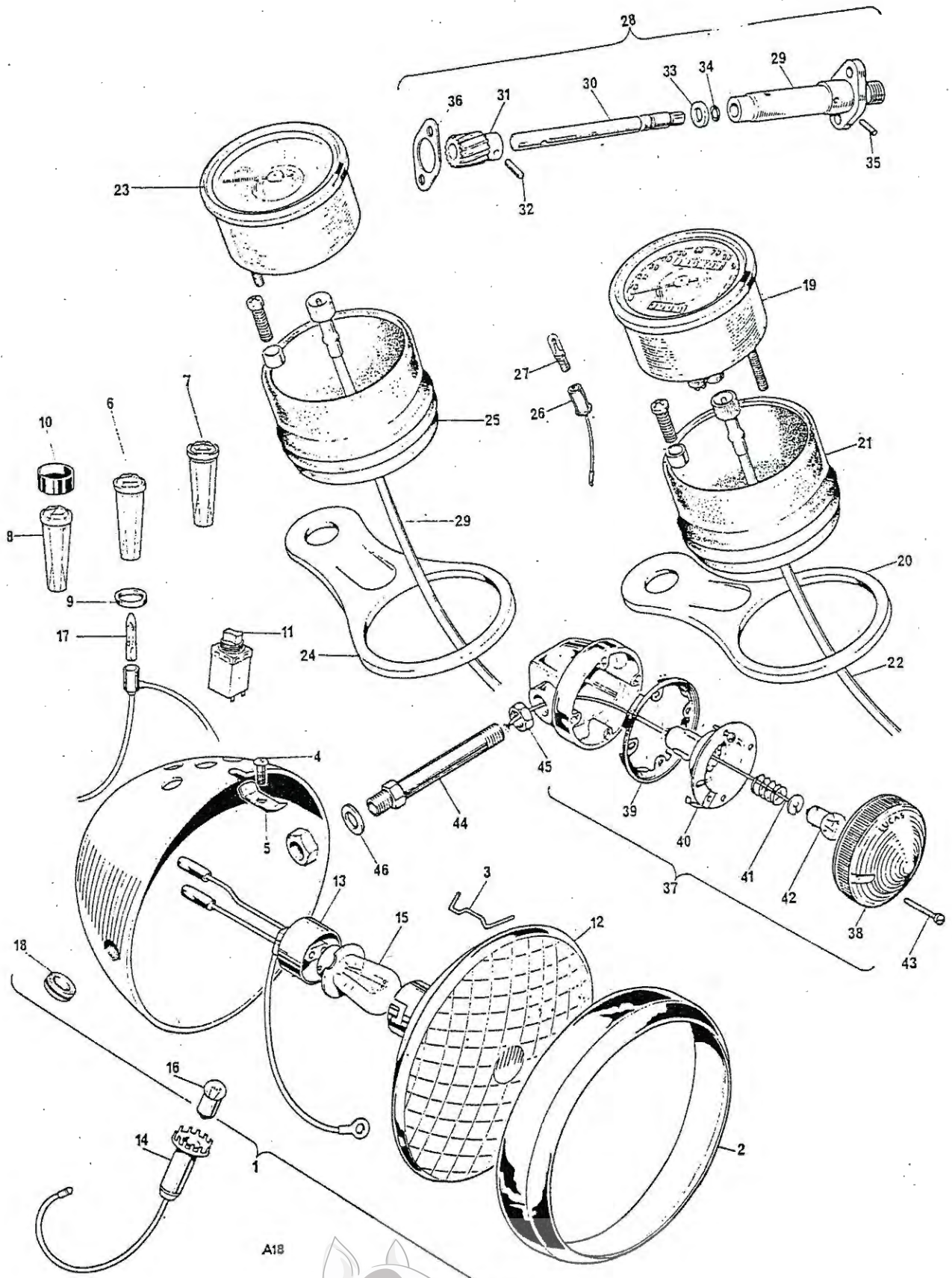


Fig. 18. HEADLAMP, SPEEDOMETER, TACHOMETER

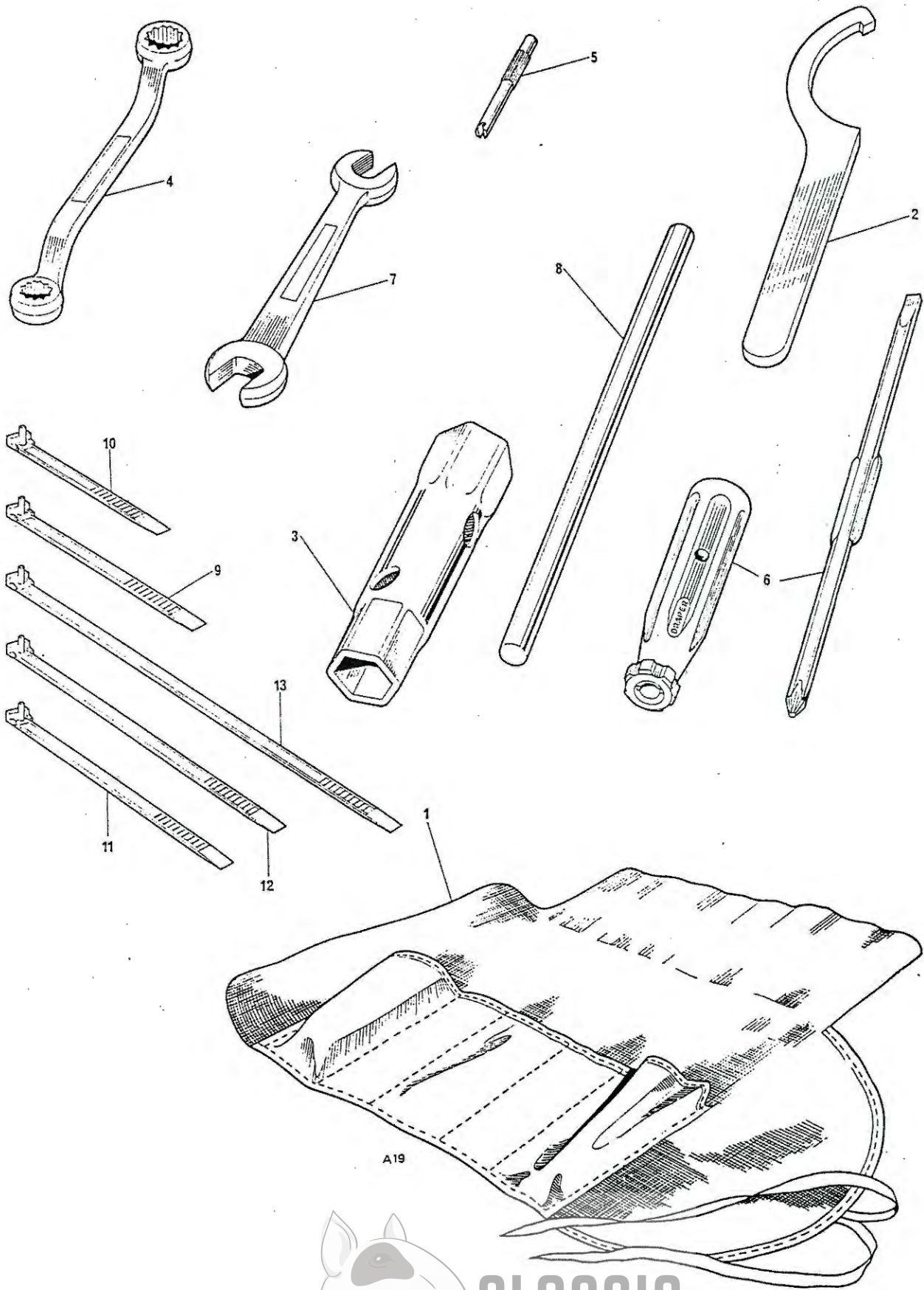
HEADLAMP, SPEEDOMETER, TACHOMETER

| Ref. No. | Part No. | DESCRIPTION | QUANTITY |
|------------|----------|--|-----------|
| 1 | 60262 | HEADLAMP (MCH 66) (99-1205) | 1 |
| 2 | 553343 | Rim (99-1206) | 1 |
| 3 | 504665 | Fixing wire (99-0683) | 6 |
| 4 | 144921 | Screw | Ref. only |
| 5 | 534296 | Plate, rim fixing | Ref. only |
| 6 | 54363453 | Warning light, amber (99-1207) | 1 |
| 7 | 54363454 | Warning light, red (99-1208) | 1 |
| 8 | 54363455 | Warning light, green (99-1209) | 1 |
| 9 | 54140331 | Sealing washer (99-1210) | 3 |
| 10 | 54525212 | Warning light shield | Ref. only |
| 11 | 31276 | Switch, lighting (99-1211) | 1 |
| 12 | 54525272 | Light unit (99-1212) | 1 |
| 13 | 554602 | Bulbholder—main | Ref. only |
| 14 | 54573590 | Bulbholder—pilot (99-1213) | 1 |
| 15 | 370 | Main bulb (99-1214) | 1 |
| 16 | 989 | Pilot bulb (99-0548) | 1 |
| 17 | 281 | Warning light bulb (99-0537) | 3 |
| 18 | 862217 | Grommet | Ref. only |
| 19 | D2611 | Speedometer (SSM2001/07) | 1 |
| 20 | H4023 | Speedometer bracket | 1 |
| 21 | D2596 | Rubber cup—speedometer | 1 |
| 22 | D3249 | Speedometer cable | 1 |
| 23 | D2610 | Tachometer (SSM2001/02) | 1 |
| 24 | H4023 | Tachometer bracket | 1 |
| 25 | D2596 | Rubber cup—tachometer | 1 |
| 26 | D3174 | Speedometer and tachometer light assembly | Ref. only |
| 27 | 987 | Bulb | Ref. only |
| 28 | E9428 | TACHOMETER GEARBOX | 1 |
| 29 | E9517 | Drive body | 1 |
| 30 | E9381 | Drive shaft | 1 |
| 31 | E9382 | Drive gear | 1 |
| 32 | E9429 | Retaining pin | 1 |
| 33 | E9383 | Thrust washer | 1 |
| 34 | E9430 | “O” ring | 1 |
| 35 | E9431 | Locating pin | 1 |
| 36 | E1422 | Joint washer | 1 |
| 37 | 56147 | FLASHER LAMP (99-1190) | 4 |
| 38 | 54581638 | Lens (99-1191) | 1 |
| 39 | 54580300 | Gasket | Ref. only |
| 40 | 554548 | Bulbholder | Ref. only |
| 41 | 573832 | Interior assembly | Ref. only |
| 42 | 382 | Bulb (99-1192) | 1 |
| 43 | 54123401 | Screw (99-1193) | 2 |
| 44 | 54582414 | Stanchion, flasher lamp (99-1194) | 4 |
| 45 | 1981721 | Locknut (99-1195) | 8 |
| 46 | 143086 | Washer (99-1196) | 2 |
| Not illus. | 54959480 | Main harness (99-1197) | 1 |

} Optional

} Optional





A19



Fig. 19. TOOL KIT

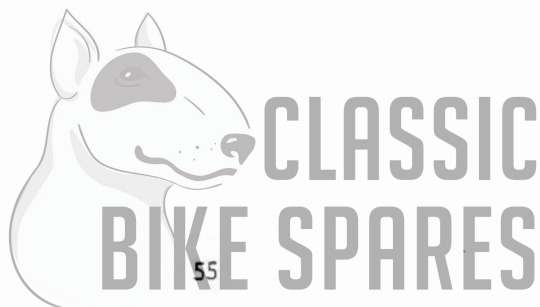
CLASSIC BIKE SPARES

TOOL KIT

| Ref. No. | Part No. | DESCRIPTION | QUANTITY |
|----------|----------|----------------------------|----------|
| | D2114 | TOOL KIT COMPLETE | 1 |
| 1 | D291 | Tool roll | 1 |
| 2 | D2184 | "C" spanner | 1 |
| 3 | D971 | Box spanner | 1 |
| 4 | D972 | Ring spanner | 1 |
| 5 | D974 | Tyre valve key | 1 |
| 6 | D767 | Screwdriver | 1 |
| 7 | D3528 | Spanner | 1 |
| 8 | D1911 | Tommy bar | 1 |
| 9 | D3228 | Cable clip (black) | 1 |
| 10 | D3340 | Cable clip (black) | 2 |
| 11 | D3441 | Cable clip (black) Plastic | 1 |
| 12 | D3342 | Cable clip (black) | 2 |
| 13 | D3343 | Cable clip (black) | 3 |

LATER MODELS USE THE FOLLOWING RUBBER CLIPS

| | | |
|--------|--------------------|---|
| D978 | Cable clip (black) | 6 |
| D343-7 | Cable clip (black) | 6 |



STANDARD HARDWARE SPECIFICATION BOLTS

| Part No. | Material | Thd. dia. | Length under head | Min. length of thread | Hexagon A.F. |
|----------|----------|----------------------|-------------------|-----------------------|--------------|
| S1822 | Steel | $\frac{5}{16}$ " UNF | $\frac{1}{2}$ " | $\frac{27}{64}$ " | 0.500" |
| S1910 | " | $\frac{3}{8}$ " UNF | $\frac{13}{16}$ " | $\frac{13}{16}$ " | 0.565" |
| S1919 | " | $\frac{5}{16}$ " UNC | $1\frac{5}{8}$ " | $\frac{7}{8}$ " | 0.500" |
| S2010 | " | $\frac{1}{4}$ " UNF | $\frac{13}{16}$ " | $\frac{3}{8}$ " | 0.375" |
| 14-0101 | " | $\frac{1}{4}$ " UNF | $\frac{1}{2}$ " | | 0.438" |
| 14-0102 | " | $\frac{1}{4}$ " UNF | $\frac{5}{8}$ " | | 0.438" |
| 14-0103 | " | $\frac{1}{4}$ " UNF | $\frac{3}{4}$ " | | 0.438" |
| 14-0113 | " | $\frac{5}{16}$ " UNF | $\frac{5}{8}$ " | | 0.500" |
| 14-0114 | " | $\frac{5}{16}$ " UNF | $\frac{3}{4}$ " | | 0.500" |
| 14-0115 | " | $\frac{5}{16}$ " UNF | $\frac{7}{8}$ " | | 0.500" |
| 14-0128 | " | $\frac{3}{8}$ " UNF | 1" | | 0.563" |
| 14-0208 | " | $\frac{1}{4}$ " UNF | $2\frac{1}{4}$ " | $\frac{3}{4}$ " | 0.438" |
| 14-0216 | " | $\frac{5}{16}$ " UNF | $1\frac{1}{8}$ " | $\frac{7}{8}$ " | 0.500" |
| 14-0217 | " | $\frac{5}{16}$ " UNF | $1\frac{1}{4}$ " | $\frac{7}{8}$ " | 0.500" |
| 14-0219 | " | $\frac{5}{16}$ " UNF | $1\frac{1}{2}$ " | $\frac{7}{8}$ " | 0.500" |
| 14-0220 | " | $\frac{5}{16}$ " UNF | $1\frac{3}{4}$ " | $\frac{7}{8}$ " | 0.500" |
| 14-0225 | " | $\frac{5}{16}$ " UNF | 3" | $\frac{7}{8}$ " | 0.500" |
| 14-0228 | " | $\frac{5}{16}$ " UNF | 4" | $\frac{7}{8}$ " | 0.500" |
| 14-0234 | " | $\frac{3}{8}$ " UNF | $1\frac{3}{4}$ " | 1" | 0.563" |
| 14-0236 | " | $\frac{3}{8}$ " UNF | $2\frac{1}{2}$ " | 1" | 0.563" |
| 14-0239 | " | $\frac{3}{8}$ " UNF | 3" | 1" | 0.563" |
| 14-0240 | " | $\frac{3}{8}$ " UNF | $3\frac{1}{2}$ " | 1" | 0.563" |
| 14-0242 | " | $\frac{3}{8}$ " UNF | 4" | 1" | 0.563" |
| 14-0251 | " | $\frac{7}{16}$ " UNF | $2\frac{3}{4}$ " | $1\frac{1}{4}$ " | 0.625" |
| 14-6102 | " | $\frac{1}{4}$ " UNC | $\frac{5}{8}$ " | | 0.438" |
| 14-6115 | " | $\frac{5}{16}$ " UNC | $\frac{7}{8}$ " | | 0.500" |

NUTS

| Part No. | Material | Thd. dia. | Hexagon A.F. | Thickness | Remarks |
|----------|----------|----------------------|--------------|-----------|----------|
| S778 | Steel | No. 10 UNF | 0.375" | 0.225" | Cleveloc |
| S1852 | " | $\frac{5}{16}$ " UNF | 0.437" | 0.330" | Philidas |
| S1906 | " | $\frac{1}{4}$ " UNF | 0.438" | 0.188" | Plain |
| S1908 | " | $\frac{5}{16}$ " UNF | 0.438" | 0.313" | Plain |
| S1914 | " | $\frac{3}{4}$ " UNEF | 1.125" | 0.250" | Plain |
| S2012 | " | $\frac{7}{8}$ " UNEF | 1.313" | 0.438" | Plain |
| S2013 | " | $\frac{3}{4}$ " UNEF | 1.313" | 0.313" | Plain |
| S2014 | " | $\frac{3}{4}$ " UNEF | 1.313" | 0.438" | Plain |
| 14-0301 | " | $\frac{1}{4}$ " UNF | 0.438" | 0.224" | Plain |
| 14-0302 | " | $\frac{5}{16}$ " UNF | 0.500" | 0.271" | Plain |
| 14-0401 | " | $\frac{1}{4}$ " UNF | 0.438" | 0.161" | Lock |
| 14-0402 | " | $\frac{5}{16}$ " UNF | 0.500" | 0.192" | Lock |
| 14-0403 | " | $\frac{3}{8}$ " UNF | 0.563" | 0.224" | Lock |
| 14-0701 | " | $\frac{1}{4}$ " UNF | 0.438" | 0.203" | Philidas |
| 14-0702 | " | $\frac{5}{16}$ " UNF | 0.500" | 0.246" | Philidas |
| 14-0703 | " | $\frac{3}{8}$ " UNF | 0.563" | 0.296" | Philidas |
| 14-1201 | " | $\frac{1}{4}$ " UNF | 0.438" | 0.285" | Stiffnut |
| 14-1202 | " | $\frac{5}{16}$ " UNF | 0.500" | 0.335" | Stiffnut |
| 14-1301 | " | $\frac{1}{2}$ " UNF | 0.438" | 0.245" | Stiffnut |
| 14-1302 | " | $\frac{5}{16}$ " UNF | 0.500" | 0.290" | Stiffnut |
| 14-1303 | " | $\frac{3}{8}$ " UNF | 0.563" | 0.320" | Stiffnut |
| 14-1304 | " | $\frac{7}{16}$ " UNF | 0.688" | 0.375" | Stiffnut |
| 14-1305 | " | $\frac{1}{2}$ " UNF | 0.750" | 0.435" | Stiffnut |
| 14-1902 | " | $\frac{5}{16}$ " UNF | 0.500" | 0.361" | Nyloc |
| 14-1903 | " | $\frac{3}{8}$ " UNF | 0.563" | 0.375" | Nyloc |

SCREWS

| Part No. | Type of head | Material | Thd. dia. | Length under head | Type of drive |
|----------|-------------------|----------|----------------------|-------------------|---------------|
| S1916 | Cheese head | Steel | $\frac{1}{4}$ " UNC | $1\frac{1}{8}$ " | Cross recess |
| S1917 | Cheese head | " | $\frac{1}{4}$ " UNC | $2\frac{5}{8}$ " | Cross recess |
| S1918 | Cheese head | " | $\frac{1}{4}$ " UNC | $2\frac{3}{8}$ " | Cross recess |
| S1920 | Hex. head | " | $\frac{1}{4}$ " UNC | $2\frac{1}{4}$ " | |
| S1929 | Countersunk (82°) | " | $\frac{1}{4}$ " UNC | $\frac{17}{32}$ " | Slot |
| S2079 | Cheese head | " | No. 10 UNF | $\frac{1}{2}$ " | Pozidrive |
| 14-0604 | Cheese head | " | $\frac{1}{4}$ " UNF | $\frac{1}{2}$ " | Cross recess |
| 14-6505 | Countersunk (82°) | " | $\frac{1}{4}$ " UNC | $\frac{7}{8}$ " | Cross recess |
| 14-6607 | Cheese head | " | $\frac{1}{4}$ " UNC | $\frac{7}{8}$ " | Cross recess |
| 14-6608 | Cheese head | " | $\frac{1}{4}$ " UNC | 1" | Cross recess |
| 14-6609 | Cheese head | " | $\frac{1}{4}$ " UNC | $1\frac{1}{4}$ " | Cross recess |
| 14-7019 | Socket head | " | $\frac{5}{16}$ " UNC | $\frac{7}{8}$ " | Hex. socket |
| 14-7024 | Socket head | " | $\frac{5}{16}$ " UNC | 2" | Hex. socket |

WASHERS—PLAIN

| Part No. | Material | i/dia. | o/dia. | Thickness |
|----------|----------|--------|--------|-----------|
| S25-1 | Steel | 0.273" | 0.563" | 0.048" |
| S25-2 | Steel | 0.398" | 0.750" | 0.063" |
| S25-3 | Steel | 0.336" | 0.625" | 0.063" |
| S25-6 | Steel | 0.531" | 1.031" | 0.092" |
| S25-13 | Steel | 0.266" | 0.469" | 0.064" |

WASHERS—SPRING

| Part No. | Material | i/dia. | o/dia. | o/a height | Thickness |
|----------|--------------|----------------------------|-------------------|------------------|-----------|
| S26-1 | Spring Steel | $\frac{3}{8}$ " clearance | $\frac{19}{32}$ " | $\frac{7}{32}$ " | 0.104" |
| S26-2 | " " | $\frac{1}{4}$ " clearance | $\frac{13}{32}$ " | $\frac{3}{16}$ " | 0.064" |
| S26-16 | " " | $\frac{17}{32}$ " | $\frac{7}{8}$ " | $\frac{7}{32}$ " | 0.040** |
| S648 | " " | $\frac{5}{16}$ " clearance | $\frac{1}{2}$ " | $\frac{5}{32}$ " | 0.080" |

** Double coil.

