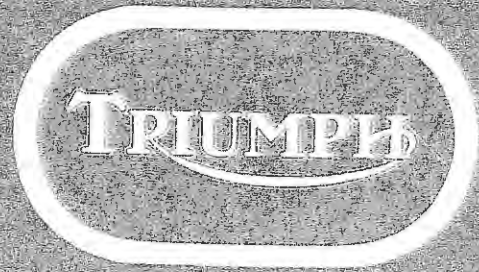


20-10131C



REPLACEMENT PARTS CATALOGUE

FOR

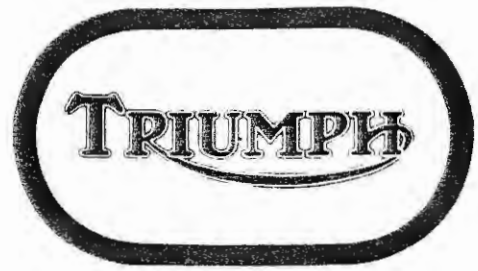
TSX MODELS



PART NO. 99-7571



**CLASSIC
BIKE SPARES**



REPLACEMENT PARTS CATALOGUE

FOR
TSX MODEL

Publication 99-7581



Published Aug. 1982

INTRODUCTION

ENGINE AND FRAME NUMBERS

The engine number is located on the left side of the engine, immediately below the cylinder barrel to crankcase flange.

The frame number is located on the left side of the frame headlug, beneath the fork top lug and forward of the gasoline tank.

Both the engine and frame number should be quoted in full in any correspondence relating to the machine.

©

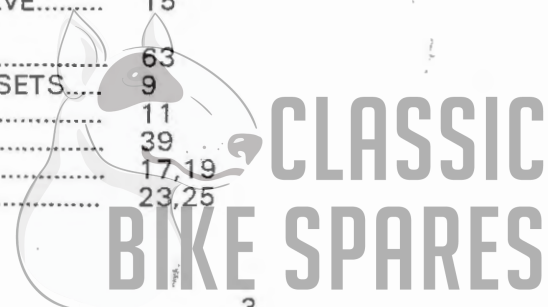
COPYRIGHT

All rights reserved. No part of this publication may be reproduced without permission.



INDEX

	Page		Page
AIR CLEANER.....	65	REAR BRAKE.....	59
ALTERNATOR.....	35	REAR WHEEL.....	57
BATTERY CARRIER.....	81	RECTIFIER.....	79
BING CARBURETOR.....	21	ROCKERS.....	17,19
BRAKE SWITCH.....	79	SERVICE TOOLS.....	8
BREATHER PIPES.....	45	SIDE PANELS.....	65
CAMSHAFT, INLET & EXHAUST.....	11	SILENCERS.....	37
CARBURETOR.....	21	SOLENOID.....	83
CENTRE STAND.....	39	SPARK PLUG.....	79
CHAINS.....	35	SPEEDOMETER.....	77
CHAINCASE.....	35	SPEEDOMETER GEARBOX.....	57
CLUTCH.....	33	STARTER MOTOR.....	25
CLUTCH LEVER ASSEMBLY.....	31	SUSPENSION UNITS.....	41
COIL.....	79	SWINGING FORK.....	41
CONDENSORS.....	79	SWITCHES.....	71,81
CONNECTING RODS.....	11	TACHOMETER.....	77
CONTROL CABLES.....	73	TACHOMETER GEARBOX.....	77
CONTROL LEVERS.....	71	TAIL LAMP.....	69
CRANKCASE.....	13	TAPPETS.....	17,19
CRANKSHAFT.....	11	TIMING COVER.....	23,25
CYLINDERS.....	17,19	TIMING GEARS.....	11
CYLINDER HEAD.....	17,19	TOOLKIT.....	75
DISTRIBUTOR LIST.....	6	TWIN SEAT.....	61
ELECTRICAL PARTS.....	79,81,83	VALVES.....	17,19
EXHAUST PIPES.....	37	VALVE GUIDES.....	17,19
FLASHERS.....	81	VALVE GUIDE SETS.....	9
FOOTRESTS.....	43	WIRING HARNESS.....	81
FRAME.....	39	ZENER DOIDE.....	79
FRONT BRAKE.....	55,57		
FRONT FORKS.....	47,49		
FRONT WHEEL.....	51		
GASKET SETS.....	9		
GEARBOX.....	27,29,31		
HANDLEBARS.....	71		
HEADLAMP.....	81		
HORN.....	79		
MOTOR PLATES.....	43		
MOTOR TORQUE STAY.....	43		
MUDGUARDS.....	67		
OIL PIPES.....	45		
OIL PUMP.....	15		
OIL PRESSURE RELEASE VALVE.....	15		
PETROL TANK.....	63		
PISTONS, OVERSIZE & RING SETS.....	9		
PISTONS.....	11		
PROP STAND.....	39		
PUSH RODS.....	17,19		
PULSE SENSOR.....	23,25		







TSX

Bore & Stroke		76x82mm/2.992x3.228ins.
Capacity		747cc/45cu.ins.
Compression Ratio		7 : 4:1
Spark Plugs		Champion N5
Carburetter		Bing Constant Depression Type 64
	Main Jet	140
	Needle Jet	2.66
	Needle	2C3 - Position 1
	Throttle Valve	No.3
	Pilot Jet	45
Gearbox Sprocket		20 Teeth
Chains	Front	Triplex 3/8in. pitch x 84 links
	Rear	5/8in. x 3/8in. x 107 links
Capacities	Fuel Tank	2.8 Galls (IMP)
	Oil Tank	4 Pints
	Gearbox	7/8 Pint (500cc)
	Front Forks	1/3 Pint (190cc)
Tyre Size	Front	3.25 x 19
	Rear	5.10 x 16



List of U.K. Spares Distributors

Anglo Bike
Beenham Garage
The Stocks
Beenham
Berks
Tel No 073521 3382

A Bennett & Son
Station Street Garage
Station Street
Atherstone
Warks
Tel No 4076

Charlies
171 Fishponds Road
Eastville
Bristol
Tel No 0272 511019

Elite Motors
844-965 Garratt Lane
Totting Broadway,
London
Tel No 01-672-1200

Harvey Owen
181-183 Walworth Road
London SE17 1RR
Tel No 01-703-0282

Hughes (S.H. Brand) Ltd
222 Tooting High Street
Tooting
London SW17
Tel No 01-672-3077

Etn Laurent Pdevijn
Sint Jobstraat 99
9300
BELGIUM

C. Reinhardt A/S
G1 Kongevej 11
1610 Kobenhavn V
DENMARK

Ab Scandanavian Pacific Oy
SF 25700 Kimito
FINLAND

Messrs. C.G.C.I.M.
17 rue du Débarcadère
75017 PARIS
FRANCE

Wüst Motorräder
Schechingerstrasse 1
D-7071 Heuchlingen
WEST GERMANY

Fa AMSG.m.b.H.
Wiesbadenerstrasse 91
6503 Mainz-Kastel
WEST GERMANY

Amco Co. Limited
30 Sina Street
Athens
GREECE

Verstegen Motor Import BV
Industriepark 11-5374 CM
Schaijk
HOLLAND

Luigi Ghezzi
Viale Gian Galeazzo 29
20136 Milan
ITALY

Messrs. Tørso & Co.
Postboks 1020
4600 Kristiansand
NORWAY.

Celebes sa
San elias 29-31
Barcelona 6
SPAIN

Allen Jefferies
206 Saltaire Road
Shipley
Yorks
Tel No 0274 587451

Leather & Simpson Flora Street Garage
Flora Street
Sheffield
Tel No 0742 343173

Roebuck Motorcycles
354 Rayners Lane
Pinner
Middx
Tel No 01-868-1231

Ben Lloyd M/Cs
37 Bridge Road
Blundell Sands
Liverpool
Tel No 051 924 2369

Revetts Ltd
53-61 Norwich Road
Ipswich
Suffolk
Tel No 0473 53726

Slocombes
251-254 Neadsen Lane
London NW10 1QH
Tel No 01-450 8655

T.M.S.
92-94 Carlton Road
Nottingham
Tel No 0602 53447

Reg Allen
41 Grosvenor Road
Hanwell
London W7
Tel No 01 567 1974

Wairon Auto Supplies
223 Coatsworth Road
Gateshead
Tyne & Wear
Tel No 0632 772968

West Pier Motorcycles
25 Brandon Terrace
Edinburgh
Scotland
Tel No 031 556 3286

Wileman Motors
Siddals Road
Derby
Tel No 0332 42813

Victor Devine & Co Ltd
219-233 Great Western road
Glasgow 4
Strathclyde
Scotland
Tel No 041 332 0056

OVERSEAS STOCKISTS

Import Rådhes Motor AB
Hospitalsgatan 15
Box 273
61101 Nyköping
SWEDEN

Ernst Uhimann Motos
Hauptstrasse
3257 Grossafofeln/BE
SWITZERLAND

Morgan & Wacker
P.O. Box 4
54 Ross Street
Newstead
Brisbane
Queensland
AUSTRALIA

Alron Industries
65 Newcastle Street
Perth 6000
WESTERN AUSTRALIA

Ton Byrne (Wentworth Traders)
34 wentworth Avenue
Sidney
AUSTRALIA

George Bolton Importers Pty Ltd
225 Greenhill Road
Dulwich
Adelaide
South Australia

Hernandez Hermanos sl
General Mola 27-29
Santa Cruz de Tenerife
CANARY ISLES

Morris Greenberg Limited
83 Shalma Road
Tel-aviv
ISRAEL

Murayama Motor Company Limited
No.6-3 Sasazuka 2-Chome
Shibuya-ku
Tokyo
JAPAN

William White (Wholesale) Limited
Paraiti road
Bell Bock
New Plymouth
NEW ZEALAND

China Motors & Technical
76 Norman Williams Street
South West Ikoyi
Lagos
NIGERIA

The Universal Engineering Company
Talpur Road
Karachi 2
PAKISTAN

Brown ECompany Limited
481 Darley Road
Colombo 10
SRI LANKA

Central de Motos
Marti Esquina Mutualismo
MEXICO 18 DF

The Bike Shop
13 Henry Pierre Street
Mucurapo
Port of Spain
TRINIDAD

Moto Palace c.a.
Av E1 Progreso
Edificio Oriol
Urb. Las Acacias
Caracas 104
VENEZUELA



HOW TO USE THIS PARTS CATALOGUE

First Consult the index on Page 3 for the parts or group of parts which you wish to locate. When you have located the parts make sure from the end columns that the part you have located does apply to your machine.

List the quantities required as single units; do not ask for "2 pairs" or "3 dozen".

In case of painted items always state the colour required. Painted parts are available only in the colours or alternatives specified for that model of that particular year.

PLEASE NOTE

THROUGHOUT THIS LIST, ASSEMBLIES ARE PRINTED IN CAPITALS AND THE COMPONENTS INCLUDED IN THAT ASSEMBLY ARE INDENTED IN THE DESCRIPTION COLUMN, REVERTING TO THE ORIGINAL ALIGNMENT WHEN THE ASSEMBLY IS COMPLETE. TO ORDER THE COMPLETE ASSEMBLY IT IS NECESSARY ONLY TO QUOTE THE ASSEMBLY NUMBER. ANY COMPONENT PARTS LISTED MAY ALSO BE OBTAINED SEPARATELY IF REQUIRED. WHERE COMPONENTS ARE COMMON TO ALL MODELS ONLY ONE COLUMN APPEARS UNDER QUANTITY.

SPECIAL WORKSHOP TOOLS

A COMPLETE LIST OF WORKSHOP TOOLS CAN BE MADE AVAILABLE BY CONTACTING YOUR DEALER. IN MOST CASES THESE TOOLS ARE VERY COSTLY AS THEY ARE MADE ENTIRELY FOR WORKSHOP USE, AND THEREFORE, IT IS NOT RECOMMENDED THAT THE PRIVATE OWNER PURCHASES THE TOOLS IN ORDER TO AID SERVICING THE MACHINE ONCE OR TWICE ONLY. IN THESE CIRCUMSTANCES IT IS FAR MORE ECONOMICAL TO GET IN TOUCH WITH A RECOGNISED DEALER.

UNIFIED THREAD FORM

NEW PARTS HAVING THREADED FIXINGS INTRODUCED IN THIS CATALOGUE HAVE THE UNIFIED FORM OF SCREW THREADS. THIS CHANGEOVER WILL BE CONTINUED AS AND WHEN NEW PARTS ARE INTRODUCED. EVEN WHERE PARTS ARE SIMILAR IN APPEARANCE NEW PART NUMBERS WILL BE ALLOCATED TO IDENTIFY THE UNIFIED THREADS. ALL NUTS, BOLTS AND STUDS HAVING THIS THREAD ARE IDENTIFIED BY MARKINGS. BOLTS HAVE A CIRCULAR RECESS IN THEIR HEADS, STUDS A CIRCULAR GROOVE ON THE END, AND NUTS HAVE INTERLOCKING CIRCLES ON THE SIDE.

PARTS SPECIAL TO PARTICULAR MARKETS ARE IDENTIFIED IN 'REMARKS' COLUMN, OTHERWISE PARTS ARE COMMON TO ALL MARKETS.

WHERE MAKERS PART NUMBERS ONLY ARE SHOWN FOR REFERENCE, PARTS MUST BE OBTAINED DIRECT FROM THE MAKERS OR THEIR DISTRIBUTORS.



ESSENTIAL SERVICE TOOLS

Part No.	Description
61-6019	Crankshaft pinion extractor
61-7013	Camshaft oil seal spreader
61-7011	Gearbox assy tool - quadrant positioner
61-6125	Gearbox sprocket nut spanner
61-6008	Tappet guide block punch
61-7014	Clutch hub - extractor tool
61-6135	Piston ring clamp
61-7017	Mainbearing extractor - LH outer race
61-3768	Clutch locking plate
61-6132	Camwheel extractor
61-7019	Rocker spindle seal compressor
61-7022	Locator tool assy - flywheel 38 - T.D.C.
61-7012	Primary chain tensioner tool
61-6063	Valve guide removal & replacement tool
61-7023	Cam extractor 6CA
61-7010	Torque tool adaptor - cylinder head sleeve nut
61-7024	Peg spanner wheel bearing retainer
61-6121	Head race drift
61-6113	Fork damper tool
61-7025	Valve seat cutter (inlet and exhaust)
61-7027	Blending cutter (inlet and exhaust)
61-7029	Arbor pilot & tommy bars - valve seat cutters
61-6117	Swinging arm bearing - removal replacement tool
61-7035	Crankshaft balance weights (689 grms.)
61-7043	Camshaft replacement tool



CARTON PACK ASSEMBLIES

PISTONS (C/W RINGS GUDGEON PIN & CIRCLIPS)

71-3995	PISTON ASSY	7·9:1	+0·010	} UP TO ENGINE
71-3996	PISTON ASSY	7·9:1	+0·020	} No. 33964
71-7090	PISTON ASSY	7·4:1	+0·010	} FROM ENGINE
71-7091	PISTON ASSY	7·4:1	+0·020	} No. 33965

PISTON RING SETS (COMPRISING 4 OFF TAPER RING, 2 OFF OIL CONTROL RING)

99-7589	RING SET	STD.	
71-3690	TAPER RING		STD.
71-7703	OIL CONTROL RING		STD.
99-7590	RING SET		+0·010
71-3691	TAPER RING		+0·010
71-7741	OIL CONTROL RING		+0·010
99-7591	RING SET		+0·020
71-3692	TAPER RING		+0·020
71-7742	OIL CONTROL RING		+0·020

VALVE GUIDE SETS (COMPRISING 2 INLET 2 EXHAUST 4 CIRCLIP)

99-7125	VALVE GUIDE SET		STD.
99-7126	VALVE GUIDE SET		+0·005
99-7127	VALVE GUIDE SET		+0·015

OIL PUMP

99-7508	OIL PUMP VALVE PACK
---------	---------------------

GASKET SETS

99-7001	DECOKE SET
99-7002	OVERHAUL SET

VALVE SPRING SET

99-7037	4 OFF INNER 4 OFF OUTER
---------	----------------------------

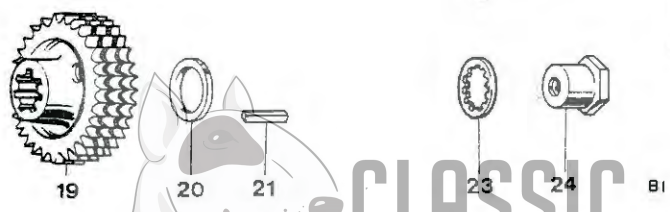
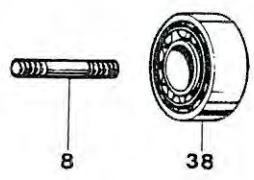
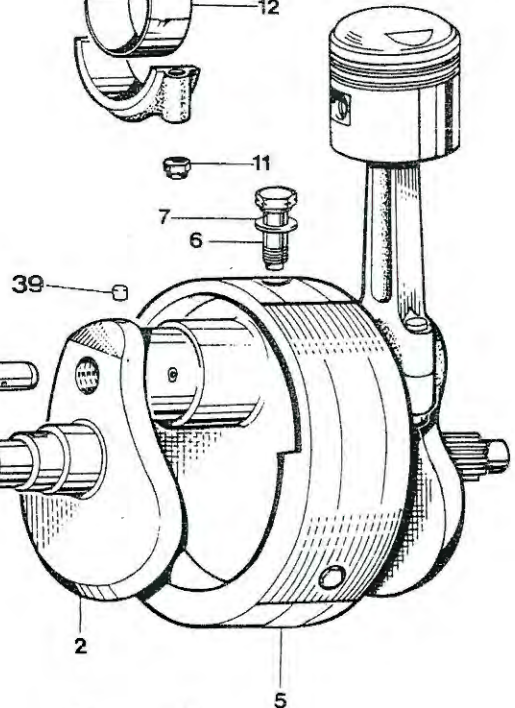
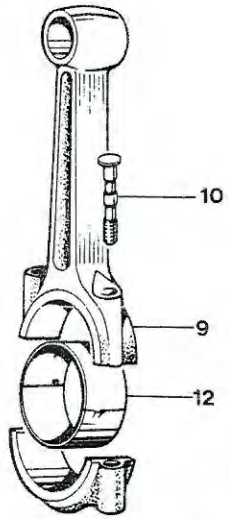
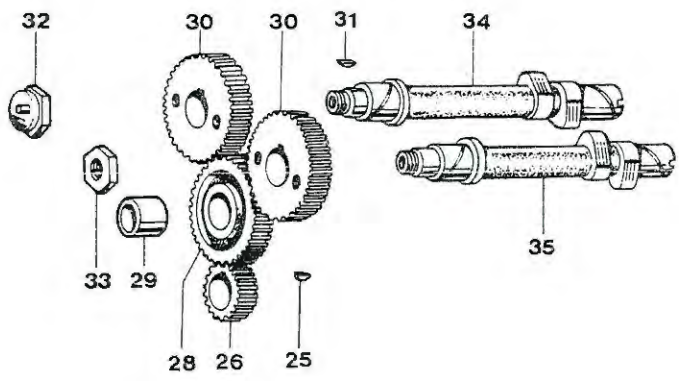
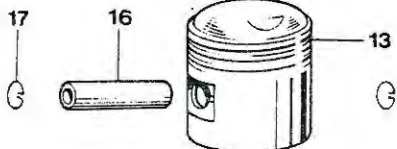
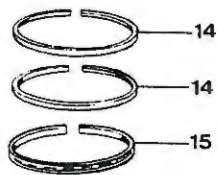
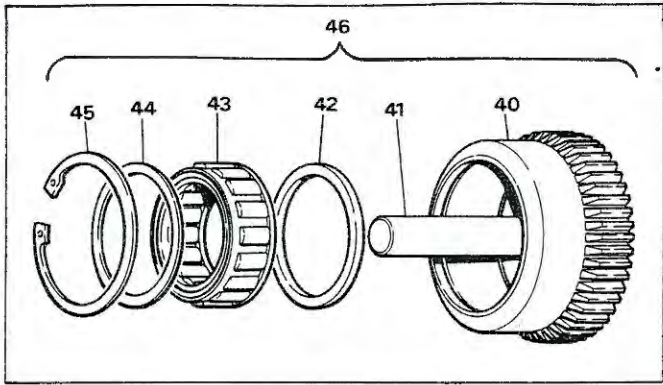
BEARING CONROD B/E

99-7040	4 OFF		STD.
99-7041	4 OFF		-0·010
99-7042	4 OFF		-0·020

OWNER HANDBOOK TSX

60-7700



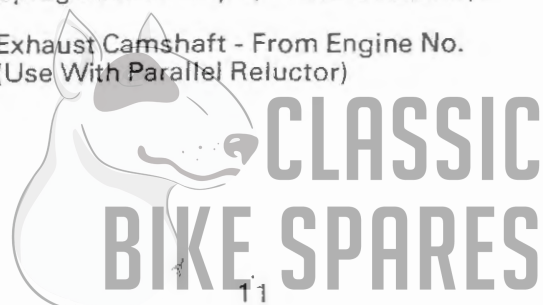


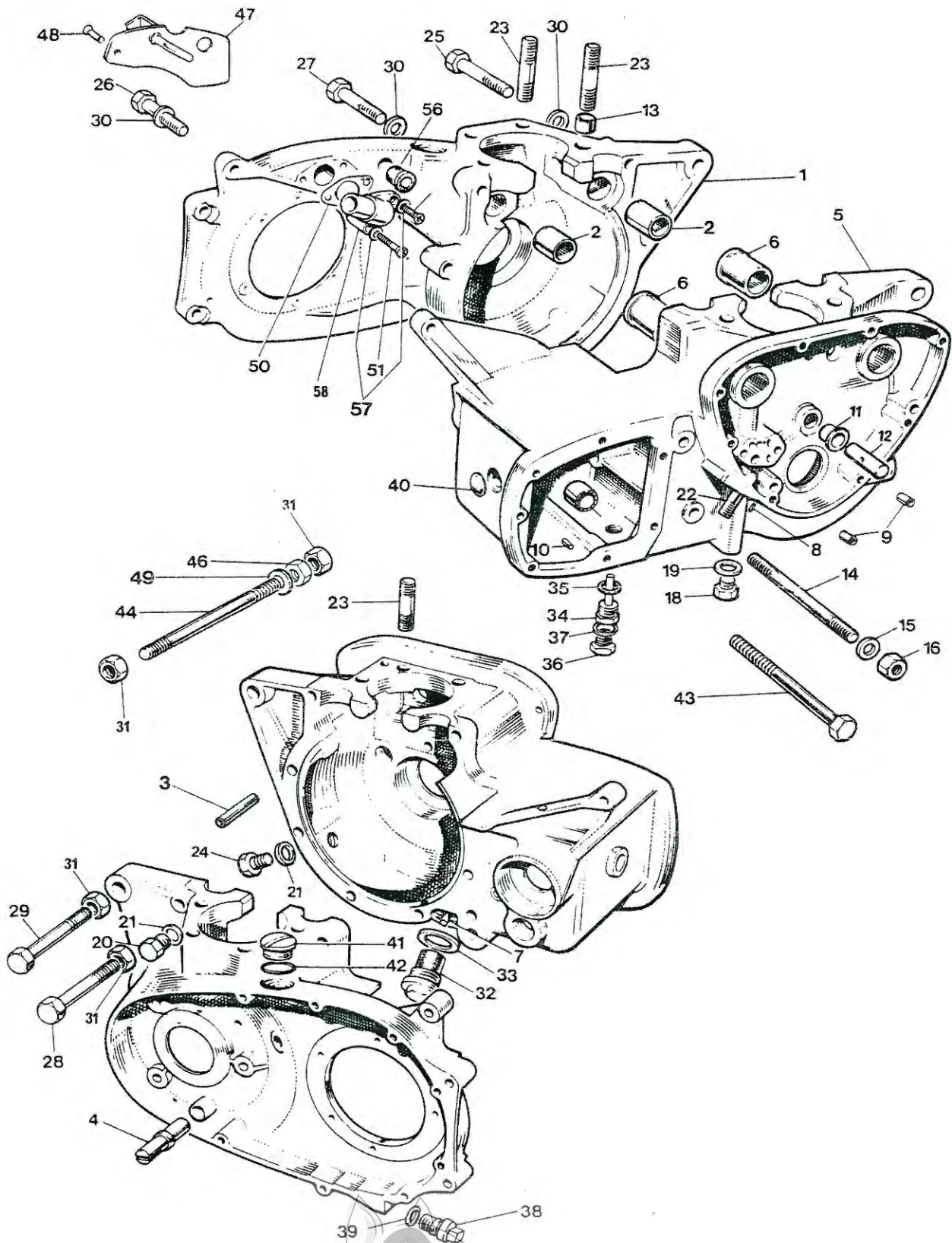
CLASSIC
CRANKSHAFT AND CONNECTING RODS
BIKE SPARES

CRANKSHAFT AND CONNECTING RODS

Ref. No.	Part No.	Description	Quantity
1	71-7370	CRANKSHAFT AND FLYWHEEL ASSEMBLY	1
2	71-3298	CRANKSHAFT C/W. OIL TUBE	1
3	70-3903	Oil tube	1
4	71-2800	Screwed plug	1
5	71-7338	Flywheel	1
6	*71-3552	Flywheel bolt	3
7	71-1003	Washer	3
8	21-2183	Crankshaft stud (1 3/8 in. O.A.)	1
9	71-3006	CONNECTING ROD	2
10	70-9914	Connecting rod bolt	4
11	21-7091	Self locking nut	4
12	70-3586	Big end bearing (Available in - .010 in. and - .020 in. undersizes)	4
13	71-7085	PISTON COMPLETE (7.4:1) - From Engine No. 33965	2
13	71-3778	PISTON COMPLETE (7.9:1) - Up To Engine No. 33964	2
14	71-3690	Taper compression ring	4
15	71-7703	Oil control ring	2
16	71-3354	Gudgeon pin	2
17	71-3700	Circlip	4
18	60-7362	Main bearing, right	1
19	71-3542	Motor sprocket, 29 teeth Triplex	1
20	71-3544	Distance piece	1
21	71-0082	Rotor key	1
23	21-7024	Fan disc lock washer	1
24	21-2182	Nut	1
25	70-1580	Key	1
26	71-7679	Timing pinion	1
27	71-2877	Nut	1
28	70-6159	INTERMEDIATE WHEEL	
29	70-0400	Intermediate wheel bush	
30	71-7657	Camshaft pinion - Interchangeable With 71-3666	2
31	70-1558	Camshaft key	2
32	71-1007	Inlet camshaft nut	1
33	70-6523	Exhaust camshaft nut	1
34	71-7016	Inlet camshaft	1
35	71-7017	Exhaust camshaft - Up To Engine No.	1
37	70-3300	Clamping washer	1
38	70-2879	Main bearing, left (RM11L)	1
39	70-3902	Plug, crankshaft oilway	1
Not illus.	71-2663	Spacer	1
Not illus.	70-8038	Shim (0.010 in.)	} Engine sprocket As Required
Not illus.	71-2660	Shim (0.030 in.)	
40	71-7710	Intermediate wheel c/w spindle	1
41	71-7709	Spindle	1
42	71-7245	Spacer Ring-inner	1
43	60-7291	Sprag Clutch	1
44	71-7244	Retainer Ring-outer	1
45	60-7269	Circlip	1
46	71-7740	Sprag Clutch Assy C/W Int. Gear Assy.	1
35	71-7582	Exhaust Camshaft - From Engine No. (Use With Parallel Reluctor)	1

* Use Loctite 270 Sealant



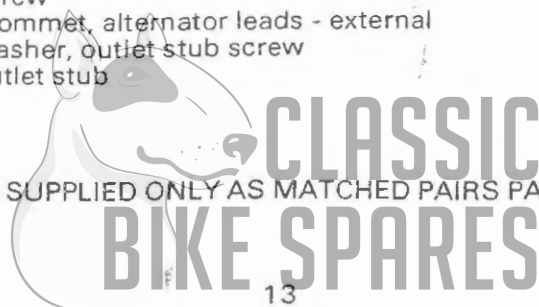


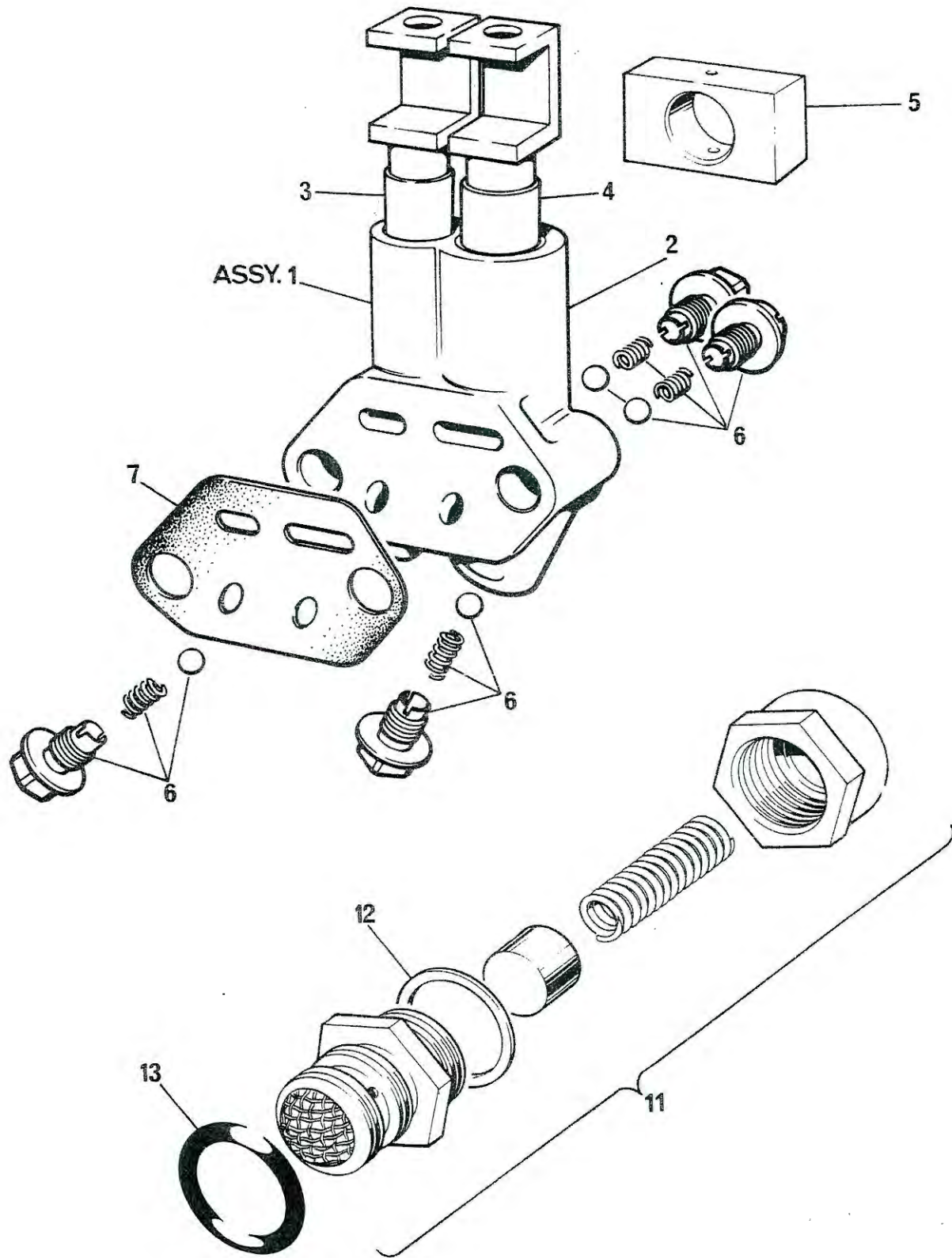
CRANKCASE CLASSIC
BIKE SPARES

CRANKCASE

Ref. No.	Part No.	Description	Quantity
1		*CRANKCASE DRIVE SIDE	Reference Only
2	71-0287	Camshaft bush L.H.	2
3	71-3989	Hollow dowel, crankcase joint	1
4	71-7258	Chain tensioner Pivot Pin	1
5		*CRANKCASE TIMING SIDE	Reference Only
6	71-0286	Camshaft bush R.H.	2
7	70-4538	Scavenge pipe	1
8	70-6386	Locating peg (at oil pipes)	1
9	57-0989	Hollow dowel	2
10	57-0912	Locating peg (L/S at thrust washer)	1
11	71-7627	Bush-intermediate spindle	1
12	71-7489	Intermediate wheel spindle	1
13	70-8751	Hollow dowel, cylinder base	2
14	14-1445	Stud, rear	1
15	60-4246	Plain washer	2
16	14-1303	Nut	1
17	57-1606	Needle roller bearing layshaft	1
18	70-9330	Oilway plug	1
19	82-1880	Copper washer	1
20	21-1871	Tachometer drive plug (L.H. thread)	1
21	37-3761	'O' ring, ignition timing hole plug	1
22	21-1863	Oil pipe stud	1
23	21-1865	Cylinder stud inner	4
23	71-3013	Cylinder stud outer	4
24	21-1872	Plug, timing hole	1
25	21-1870	Bolt, rear	1
26	14-6220	Bolt, top rear	1
27	14-6223	Bolt, top front	1
28	14-0230	Bolt, long - crankcase halves	1
29	21-1823	Bolt, short - crankcase halves	2
30	60-2330	Plain washer	10
31	14-1302	Nut	5
32	70-9336	Crankcase filter	1
33	70-8782	'O' Ring	1
34	57-2167	Drain plug (with level tube)	1
35	60-7132	Fibre washer	1
36	21-0543	Level plug	1
37	70-2441	Copper washer	1
38	71-7259	Chain adjuster plug	1
39	70-6299	Washer adjuster plug	1
40	57-1920	Blanking plug	1
41	57-2166	Plug inspection	1
42	70-8782	'O' ring	1
43	14-6242	Bolt, rear - crankcase halves	1
44	21-0669	Stud, crankcase halves	1
46	14-0402	Nut, exhaust ties	2
47	70-9334	Breather cover plate assembly	1
48	71-1077	Screw	1
49	60-2428	Spring washer	2
50	71-1460	Joint washer	1
51	70-7354	Screw	2
56	71-1345	Grommet, alternator leads - external	1
57	70-6559	Washer, outlet stub screw	2
58	71-4044	Outlet stub	1

*NOTE CRANKCASES ARE SUPPLIED ONLY AS MATCHED PAIRS PART No. 71-7604



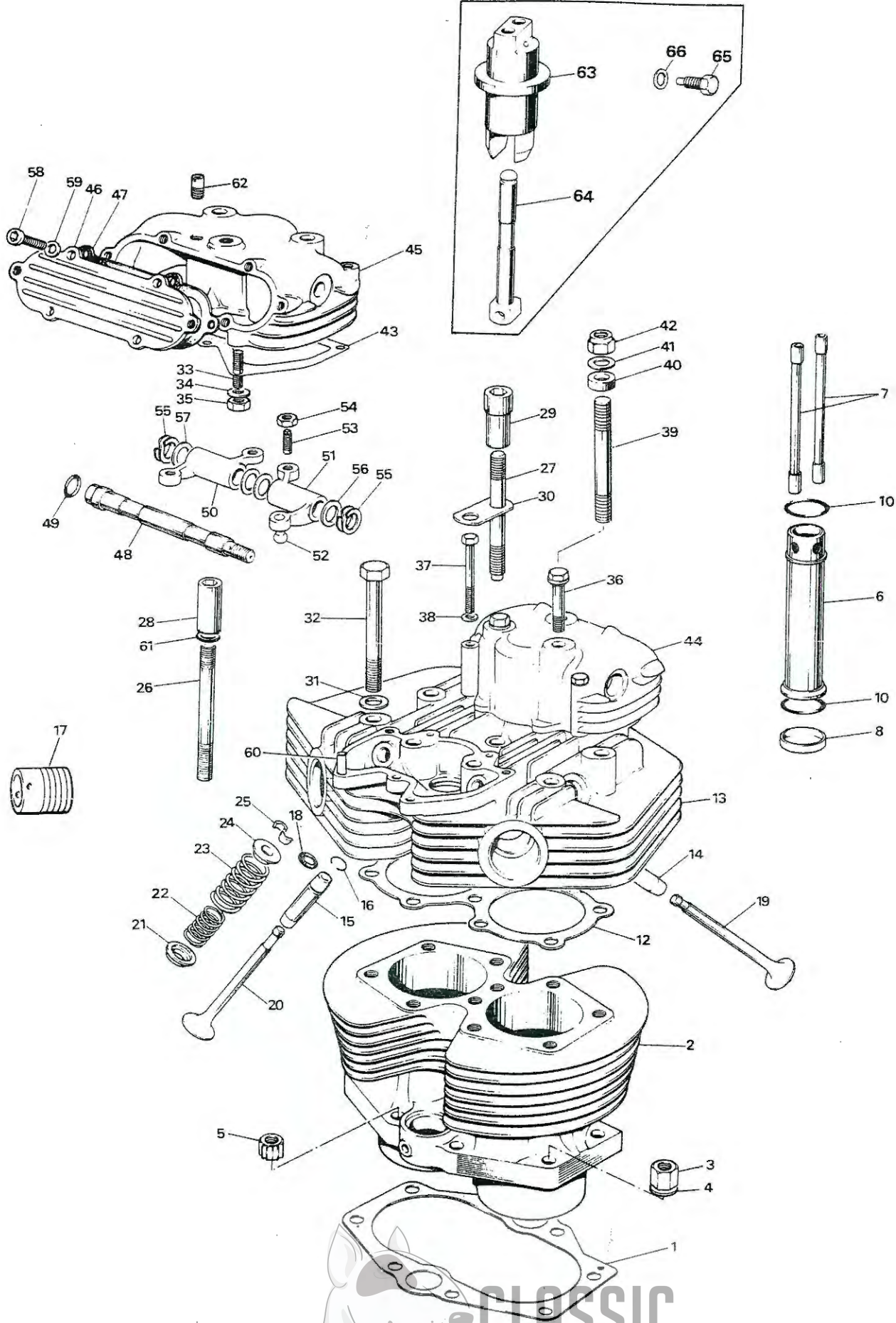


OIL PUMP AND RELEASE VALVE

OIL PUMP AND RELEASE VALVE

Ref. No.	Part. No.	Description	Quantity
1	71-7317	Oil pump complete	1
2	71-7253	Pump body	1
3	70-9269	Feed plunger	1
4	70-6681	Scavenger plunger	1
5	70-0495	Drive block	1
6	99-7508	OIL PUMP VALVE PACK	1
7	71-3910	Joint washer	1
N	14-7007	Fixing screw short 1¼" U.H.	1
Ni	14-7008	Fixing screw long 1½" U.H.	1
Ni	60-2417	Washer spring - Fixing screw	2
11	71-3447	Oil pressure release valve	1
12	70-8754	Joint washer (cap to body)	1
13	60-3355	'O' ring, release valve	1



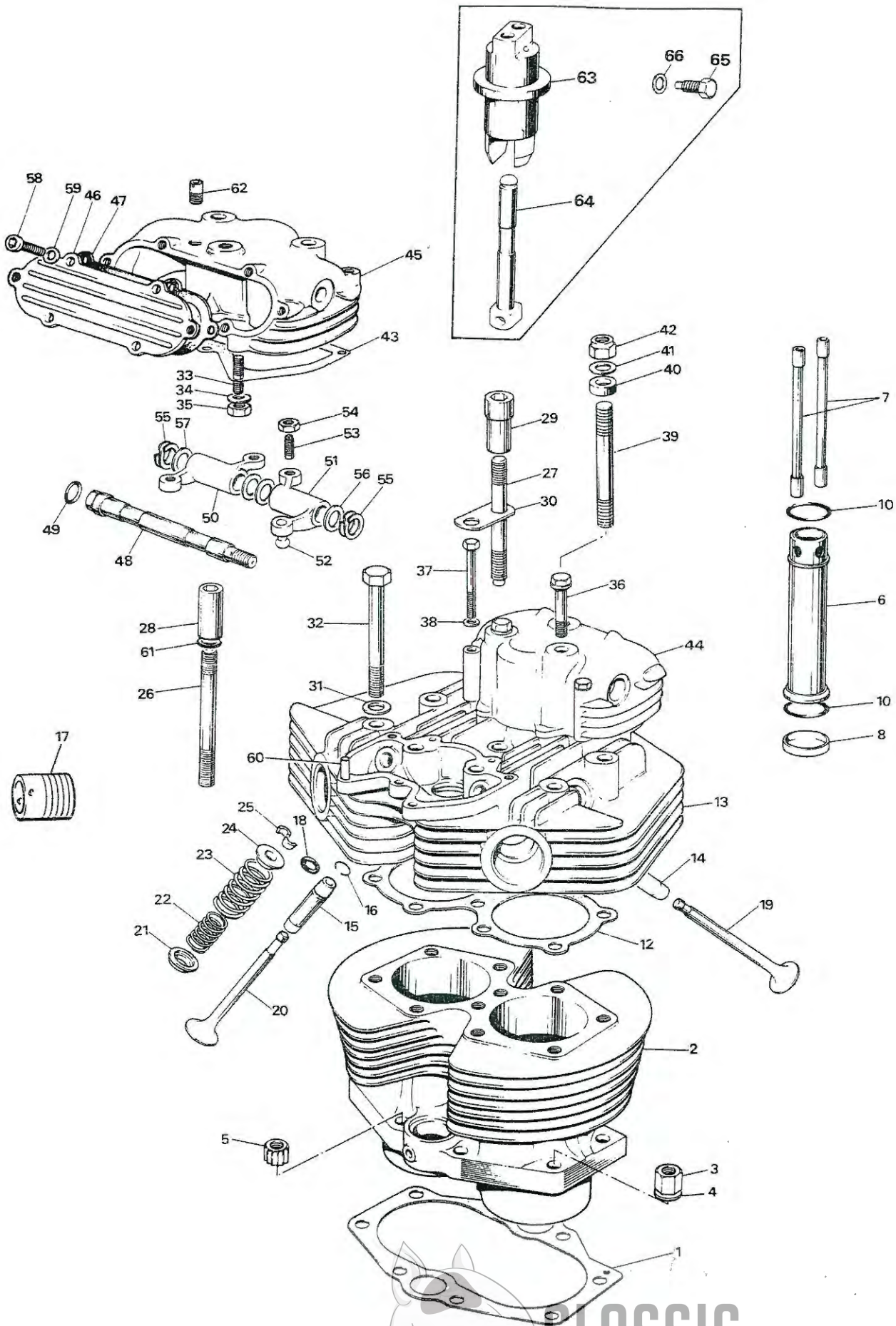


CLASSIC
CYLINDER BLOCK AND HEAD
BIKE SPARES

CYLINDER BLOCK AND HEAD

Ref. No.	Part No.	Description	Quantity
1	70-6309	Cylinder base washer	1
2	71-4006	Cylinder block	1
3	21-2177	Cylinder base nut	4
4	70-3446	Washer	4
5	21-0692	Cylinder base nut (12 point)	4
6	71-7191	Push rod cover tube	2
7	71-3330	Push rod	4
8	71-7196	Sleeve	2
10	71-1283	'O' ring	4
12	71-4619	Cylinder head gasket	1
13	71-7607	Cylinder head assy.	1
14	71-7506	Inlet valve guide	2
15	71-7202	Exhaust valve guide	2
16	70-3209	Circlip-valve guide	4
17	70-9516	Exhaust stub	2
18	70-6299	Seal-inlet valve	2
19	70-4603	Inlet valve	2
20	70-2904	Exhaust valve	2
21	71-7203	Bottom cup	4
22	70-4221	Inner valve spring	4
23	70-7400	Outer valve spring	4
24	70-1543	Top collar	4
25	71-3748	Split cotter	8
26	21-2201	Stud - cylinder head (3/8 in.)	4
27	21-2200	Stud - cylinder head (5/16 in.)	2
28	21-2204	Socket nut (3/8 in.)	4
29	21-2205	Socket nut (5/16 in.)	2
30	71-3553	Bridge plate	1
31	82-2184	Washer	4
32	14-0241	Bolt - cylinder head	4
33	14-1401	Stud - rocker box	6
34	70-3302	Washer	6
35	14-0301	Nut	6
36	14-0234	Bolt - rocker box	4
	82-2184	Washer - Bolt	4
37	21-1875	Bolt - rocker box	4



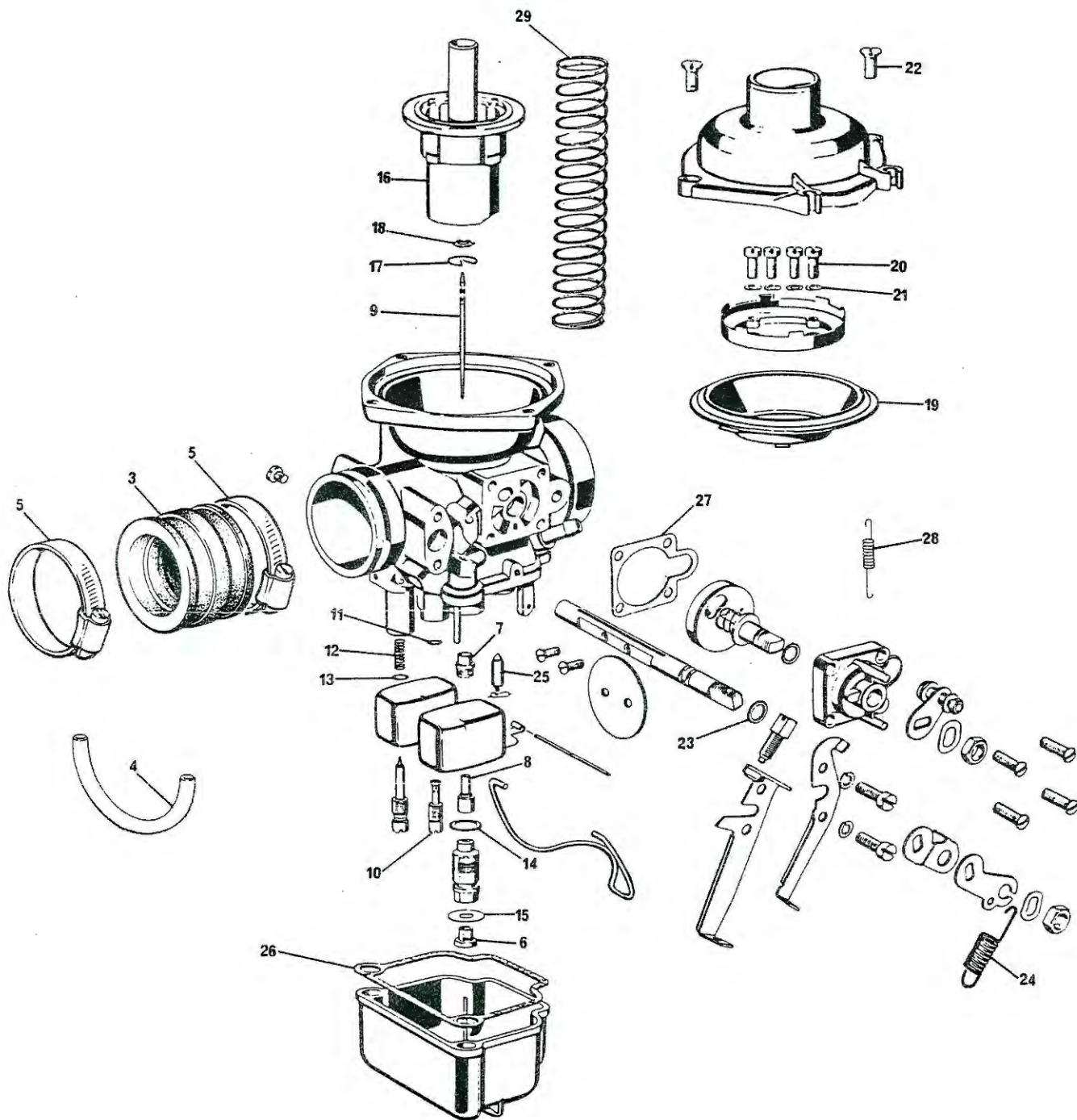


CLASSIC
CYLINDER BLOCK AND HEAD
BIKE SPARES

CYLINDER BLOCK AND HEAD

Ref. No.	Part No.	Description	Quantity
38	60-4248	Washer	4
39	21-2197	Stud	2
40	37-2338	Distance piece	2
41	60-2331	Washer	2
42	14-1303	Nut	2
43	71-2599	Rocker box gasket	2
44	71-7596	Inlet rocker box	1
45	71-7608	Exhaust rocker box Assy	1
46	71-7594	Tappet inspection cover	2
47	71-3673	Gasket	2
48	71-3549	Rocker spindle	2
49	60-3548	Sealing ring	2
50	71-7044	Rocker (right exhaust, left inlet)	2
51	71-7043	Rocker (left exhaust, right inlet)	2
52	71-0070	Ball pin	4
53	71-7045	Adjuster pin	4
54	14-0402	Lock nut	4
55	70-1574	Spring washer	4
56	70-1575	Thrust washer (1/2 in.)	6
57	70-1330	Thrust washer (3/8 in.)	2
58	14-7004	Screw - socket head	12
59	60-3963	Washer	12
60	71-2361	Dowel, rocker box to head	4
61	71-2598	Plain washer	4
62	71-3313	Connector - Breather	1
63	71-7194	Tappet Guide Block	2
64	71-7008	Tappet	4
65	97-0200	Set Bolt	2
66	70-2441	Washer	2
N.I.	70-7563	'O' Ring Tappet Guide Block	2
N.I.	71-7528	Inlet Manifold Stub	2

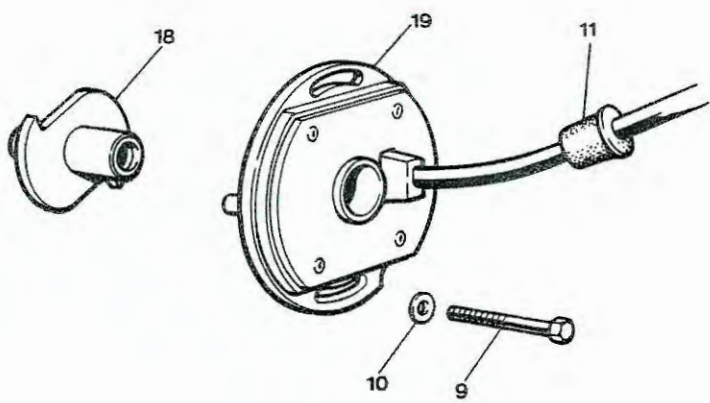
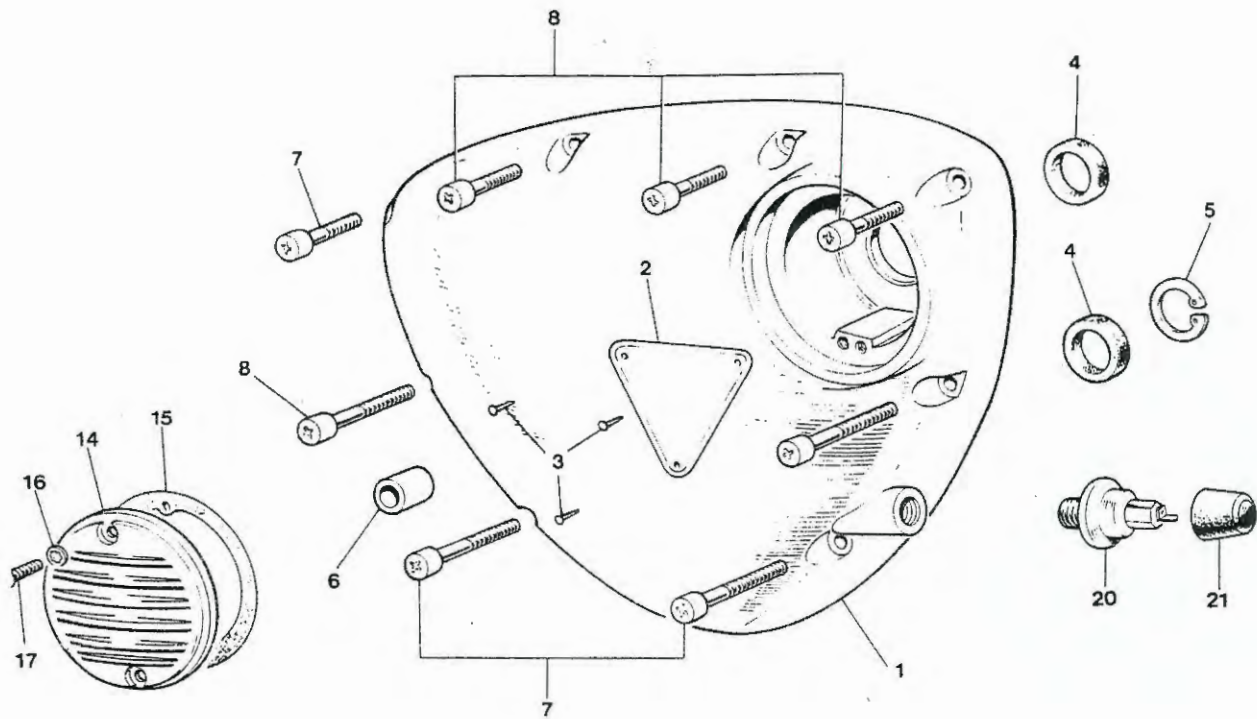




CARBURETOR

Ref. No.	Part No.	Description	Qty.
1	60-7725	Carb LH } From Engine No.	1
2	60-7726	Carb RH }	1
1	60-7418	Carb LH } Up To Engine No.	1
2	60-7419	Carb RH }	1
3	60-7400	Rubber Carb To Head	2
4	71-7529	Balance Pipe	1
5	70-6849	Clip	2
6	99-7583	Main Jet 140cc	1
7	99-7526	Atomizer	1
8	99-7527	Needle Jet 2.66	1
9	99-7528	Jet Needle	1
10	99-7529	Idle Jet 45cc	1
11	99-7530	Washer	1
12	99-7531	Spring	1
13	99-7532	Rubber Ring	1
14	99-7533	Rubber Ring	1
15	99-7534	Washer	1
16	99-7582	Plunger No.3	1
17	99-7536	Retaining Spring	1
18	99-7537	Washer	1
19	99-7538	Diaphragm	1
20	99-7539	Screw	4
21	99-7540	Washer	4
22	99-7541	Screw	2
23	99-7542	Sealing Ring	1
24	99-7543	Return Spring	1
25	99-7544	Float Needle	1
26	99-7545	Float Chamber Seal	1
27	99-7546	Seal	1
28	99-7547	Choke Return Spring	1
29	99-7533	Spring-Plunger	1





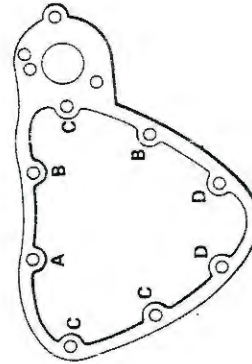
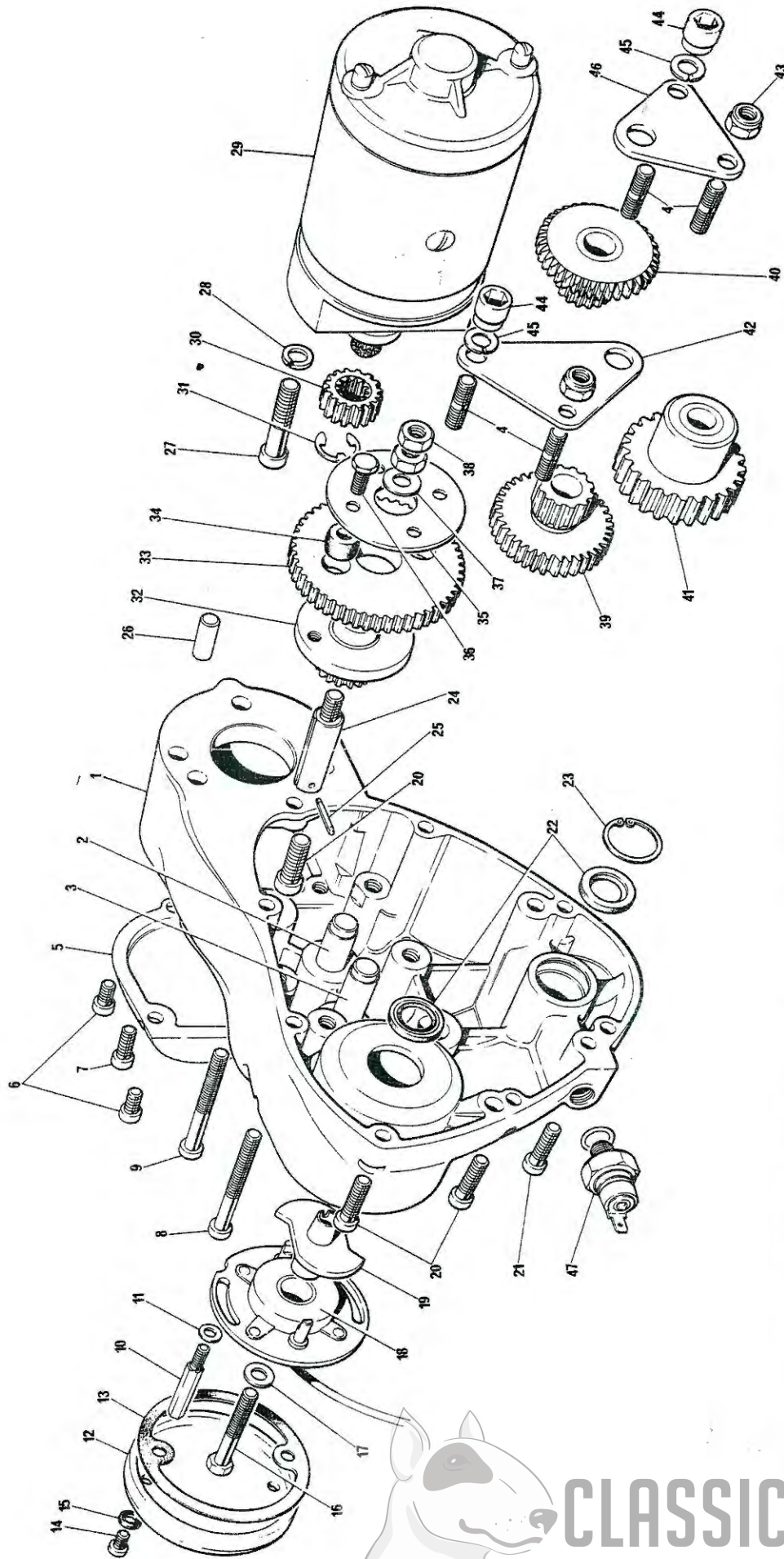
TIMING COVER AND CONTACT BREAKER



TIMING COVER AND PULSE SENSOR

Ref. No.	Part No.	Description	QUANTITY
1	71-7318	Timing cover c/w Patent plate	1
2	70-4016	Patent plate	1
3	60-4255	Hammer - drive screw	3
4	70-4568	Oil seal	1
4	70-6387	Oil seal (0.020 in. undersize)	A
NI	71-7263	Joint Washer - Timing Cover	1
5	70-4569	Circlip	1
6	57-0989	Hollow dowel	2
7	14-7007	Screw, long	2
8	14-7006	Screw, short	6
9	14-0207	Bolt	1
10	70-8163	Plain washer	1
11	70-4707	Rubber grommet	1
12	70-7680	Pillar bolt	2
13	70-6559	Plain washer	2
14	71-7159	Cover	1
15	71-1462	Joint washer	1
16	97-0430	Fibre washer	2
17	70-7354	Screw (1/2 in. U.H.)	2
18	99-7043	Reluctor Lucas 54400905 - Up To Engine No.	1
19	99-7044	Pulse sensor c/w lead Lucas 54402693	1
20	60-3719	Oil pressure switch	1
21	71-2930	Cover pressure switch	1
18	99-7588	Reluctor Lucas - 54403727 - From Engine No.	1



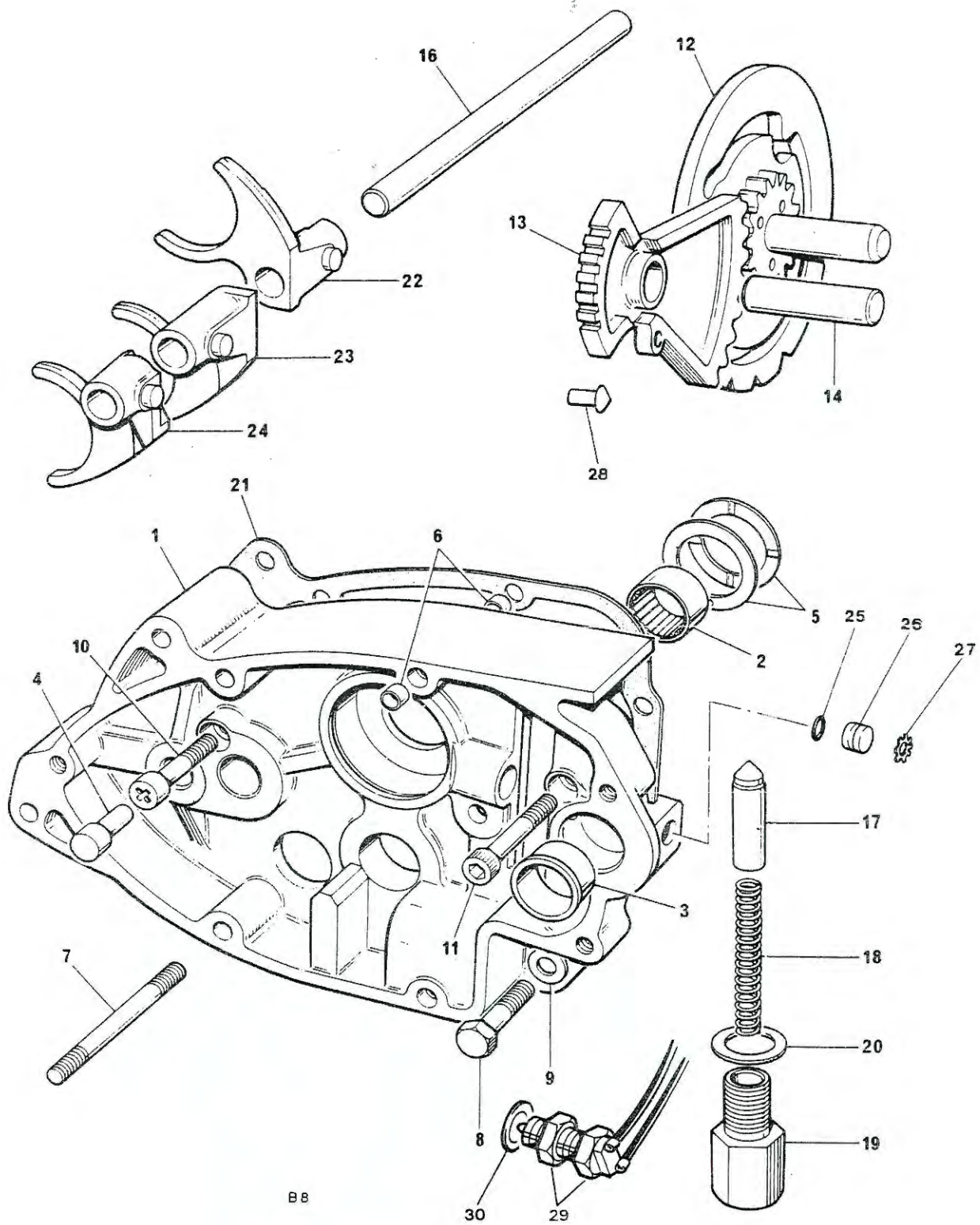


COVER TO CRANKCASE SCREW INFORMATION			
LETTER	PART No	LENGTH UH	QUANTITY
A	14-7012	2 1/2"	1
B	14-7013	2 3/4"	2
C	14-7006	1"	3
D	14-7007	1 1/4"	2

E/S TIMING COVER GEARS

Ref No.	Part No.	Description	Quantity
1	71-7501	Timing Cover	1
2	71-7377	Spindle: 2nd stage	1
3	71-7376	Spindle: 3rd stage	1
4	21-7066	Stud-Outrigger plate	4
5	71-7327	Cover-starter motor	1
N1	71-7328	Joint washer-cover	1
6	14-7003	Screw-cover to case 5/8" UH	2
7	14 - 7006	Screw-cover to case 1" UH	1
8	14-7012	Screw-timing cover to c/case 2 1/2" UH	1
9	14-7013	Screw-timing cover to c/case 2 3/4" UH	2
10	71-7400	Pillar bolt	2
11	70-6559	Washer-pillar bolt	4
12	71-7159	Cover-pulse sensor	1
13	71-1462	Gasket-cover	1
14	70-7354	Screw-cover fixing	2
15	97-0430	Washer-fibre	2
16	14-0207	Bolt-reluctor fixing - Up to engine No.	1
17	70-8163	Washer-bolt	1
18	99-7044	Pulse sensor	1 Lucas 54402693
19	99-7043	Reluctor - Up to engine No.	1 Lucas 54400905
20	14-7006	Screw-timing cover to c/case 1" UH	3
21	14-7007	Screw-timing cover to c/case 1 1/4" UH	2
22	70-4568	Oil seal-at camshaft and crankshaft	2
23	70-4569	Circlip-oil seal at crankshaft	2
24	71-7494	Spindle for gear 2/3	1
25	60-7385	Roll pin-spindle fixing	1
26	71-7383	Dowel-motor to cover	1
N1	60-7295	'O' Ring-motor to cover	1
27	14-7020	Screw-motor to cover	3
28	60-2428	Washer-spring for screw	3
29	60-7296	Starter motor	1
30	71-7226	Pinion-starter motor	1
31	60-7292	Retainer-pinion to starter motor	1
32	71-7416	Pinion no. 3 & coupling-16T	1
33	71-7417	Pinion no.2-54T	1
34	60-7340	Bush-shock absorber	2
35	71-7418	Face washer-bush retainer	1
36	21-7083	Screw-face washer	1
37	60-2330	Washer-thrust	2
38	14-0402	Nut-end float adjustment	1
39	71-7242	Gear no. 4/5 36-16T	2
40	71-7621	Gear no. 6/7 36-9T	1
41	71-7619	Gear no. 8-19	1
42	71-7379	Plate-upper outrigger	1
43	14-1202	Nut-plate fixing	2
44	21-7092	Nut-socket head	2
45	60-2428	Washer spring	2
46	71-7380	Plate-Lower outrigger	1
47	60-3719	Oil pressure switch	1
NI	71-7421	Cush Drive Assy	1
16	21-7150	Bolt-Reluctor fixing - From engine No.	1
	99-7588	Reluctor - From engine No.	1 Lucas 54403727

Note:- For Sprag clutch information see page 13



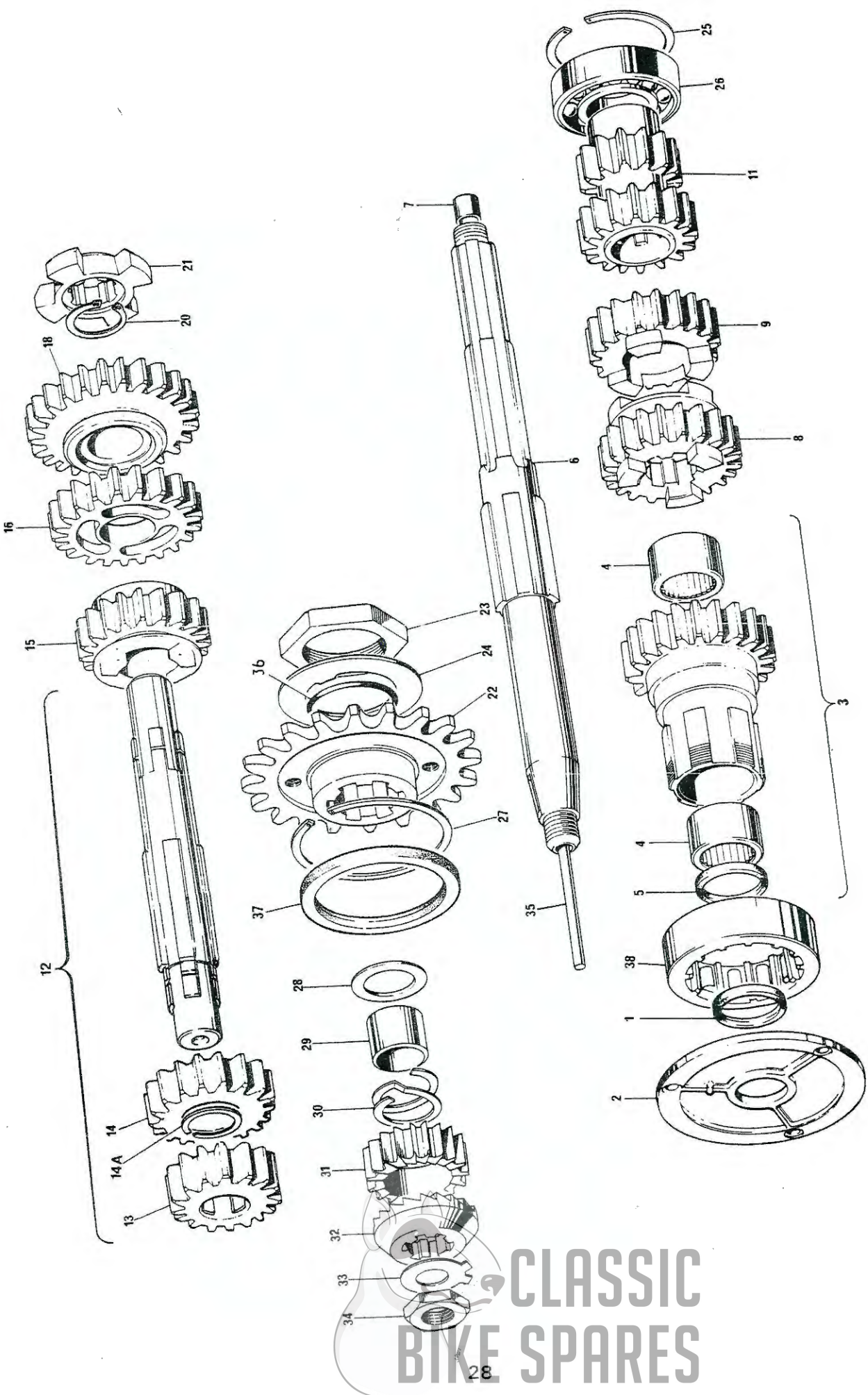
GEARBOX INNER COVER AND SELECTORS



GEARBOX INNER COVER AND SELECTORS

Ref. No.	Part No.	Description	Quantity
1	57-7074	GEARBOX INNER COVER	1
2	57-1614	Layshaft bearing	1
3	57-7009	Gearchange spindle bush	1
4	57-0045	Kickstart stop	1
5	57-1607	Thrust washer	2
6	57-0989	Hollow dowel	4
7	21-2149	Stud	2
8	14-6217	Bolt	1
9	70-3446	Washer	1
10	14-6608	Screw	1
11	14-7023	Screw	1
12	57-4889	Camplate	1
13	57-7052	Operating quadrant c/w pin	1
14	57-7011	Quadrant spindle	1
16	57-3989	Selector fork rod	1
17	57-7020	Index plunger	1
18	57-4459	Plunger spring	1
19	57-4400	Housing, index plunger	1
20	57-3978	Washer	1
21	57-7012	Joint washer, inner cover to crankcase	1
22	57-4364	Selector fork - mainshaft 4th gear	1
23	57-4366	Selector fork - layshaft 3rd gear	1
24	57-4660	Selector fork - layshaft 1st gear	1
25	37-3761	'O' ring	1
26	57-7015	Plug	1
27	57-7016	Retainer	1
28	57-7041	Operating pin	1
29	60-7240	Switch neutral C/W lock nut	1
30	70-1335	Washer - For Switch	1





GEARBOX SHAFTS AND GEARS

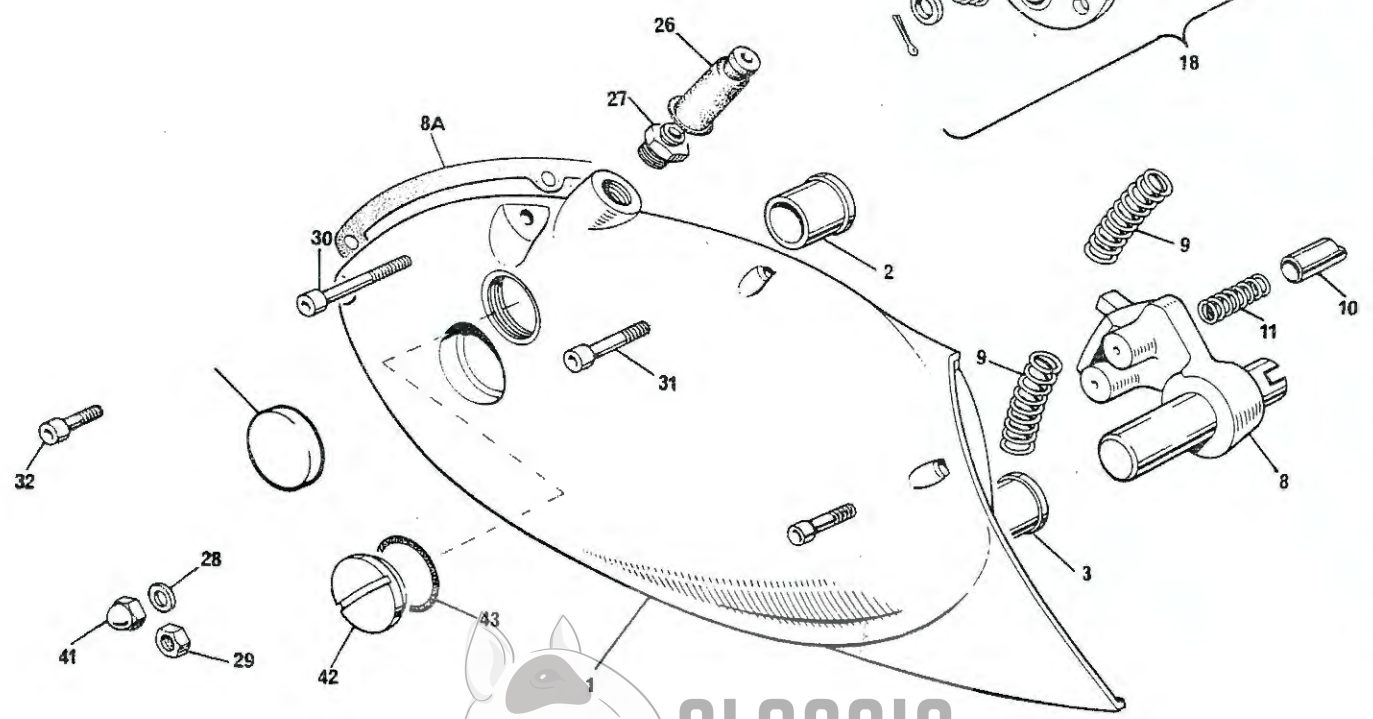
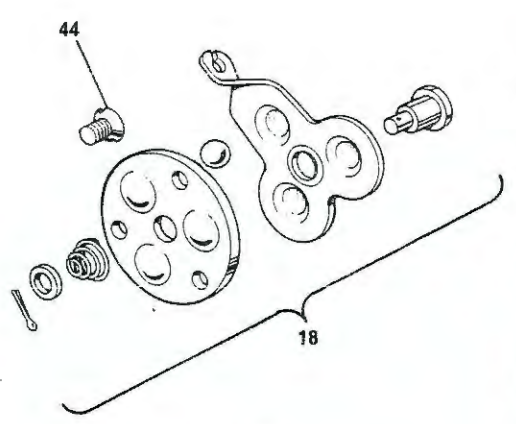
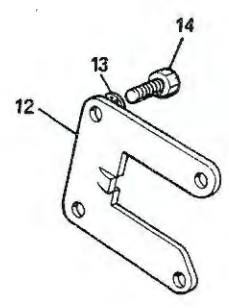
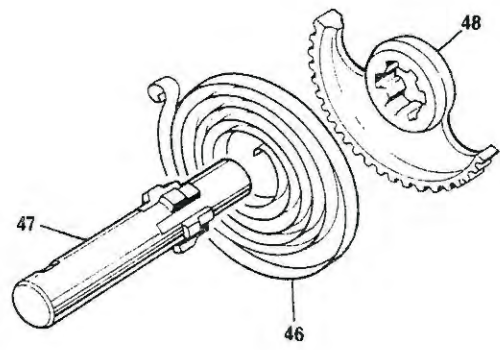
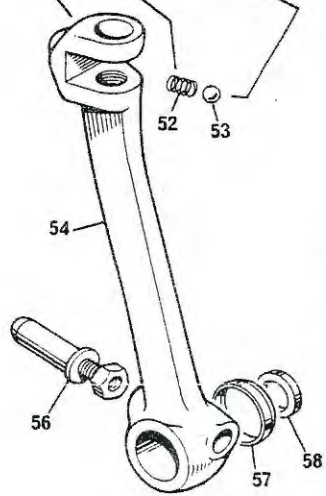
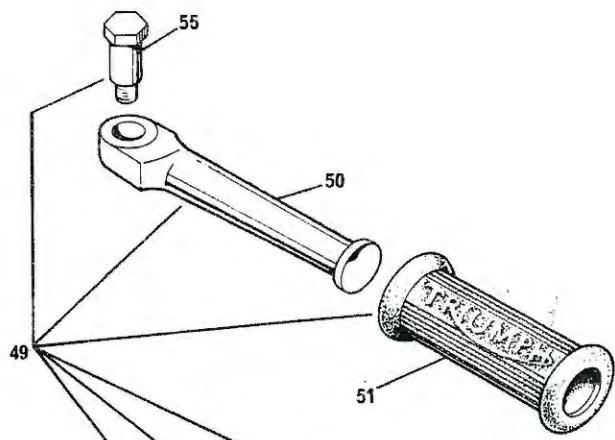
CLASSIC
BIKE SPARES


GEARBOX SHAFTS AND GEARS

Ref. No.	Part No.	Description	Quantity
1	60-3500	Oil seal, cover plate	1
2	70-3789	Cover plate	1
3	57-4779	MAINSHAFT HIGH GEAR ASSEMBLY	1
4	60-3511	Needle roller bearing	2
5	60-3500	Oil seal, high gear	1
6	57-7077	MAINSHAFT	1
7	57-3988	Bush	1
8	57-4376	Mainshaft 4th gear	1
9	57-4377	MAINSHAFT 3rd GEAR c/w bush	1
11	57-4653	Mainshaft 1st and 2nd gear	1
12	57-4900	LAYSHAFT ASSY	1
13	57-4791	Layshaft high gear	1
14	57-4787	Layshaft 4th gear c/w bush	1
14A	57-4790	Circlip for layshaft high gear	1
15	57-4647	Layshaft 3rd gear	1
16	57-4657	LAYSHAFT 2nd GEAR c/w bush	1
18	57-4654	LAYSHAFT 1st GEAR c/w bush	1
20	60-3494	Circlip	1
21	57-4661	Driving dog	1
22	57-4782	Gearbox sprocket - 20T	1
23	57-4396	Locknut	1
24	57-4909	Lock washer	1
25	70-0489	Circlip	1
26	60-3552	Mainshaft bearing	1 Hoffman LS8
27	57-4113	Circlip	1
28	57-1962	Washer	1
29	57-1963	Pinion Sleeve	1
30	57-1250	Pinion Spring	1
31	57-0730	K/Starter pinion	1
32	57-0731	K/Starter ratchet	1
33	57-7076	Tab washer	1
34	21-7072	Nut	1
35	57-1736	Clutch operating rod	1
36	71-1070	'O' ring, gearbox sprocket	1
37	60-3512	Oil seal, gearbox sprocket	1
38	60-4100	High gear bearing	1
NI	57-7069	Spacer M'Shaft	1 Non - K/Start

} Optional-
When
Kick Starter Is
Fitted



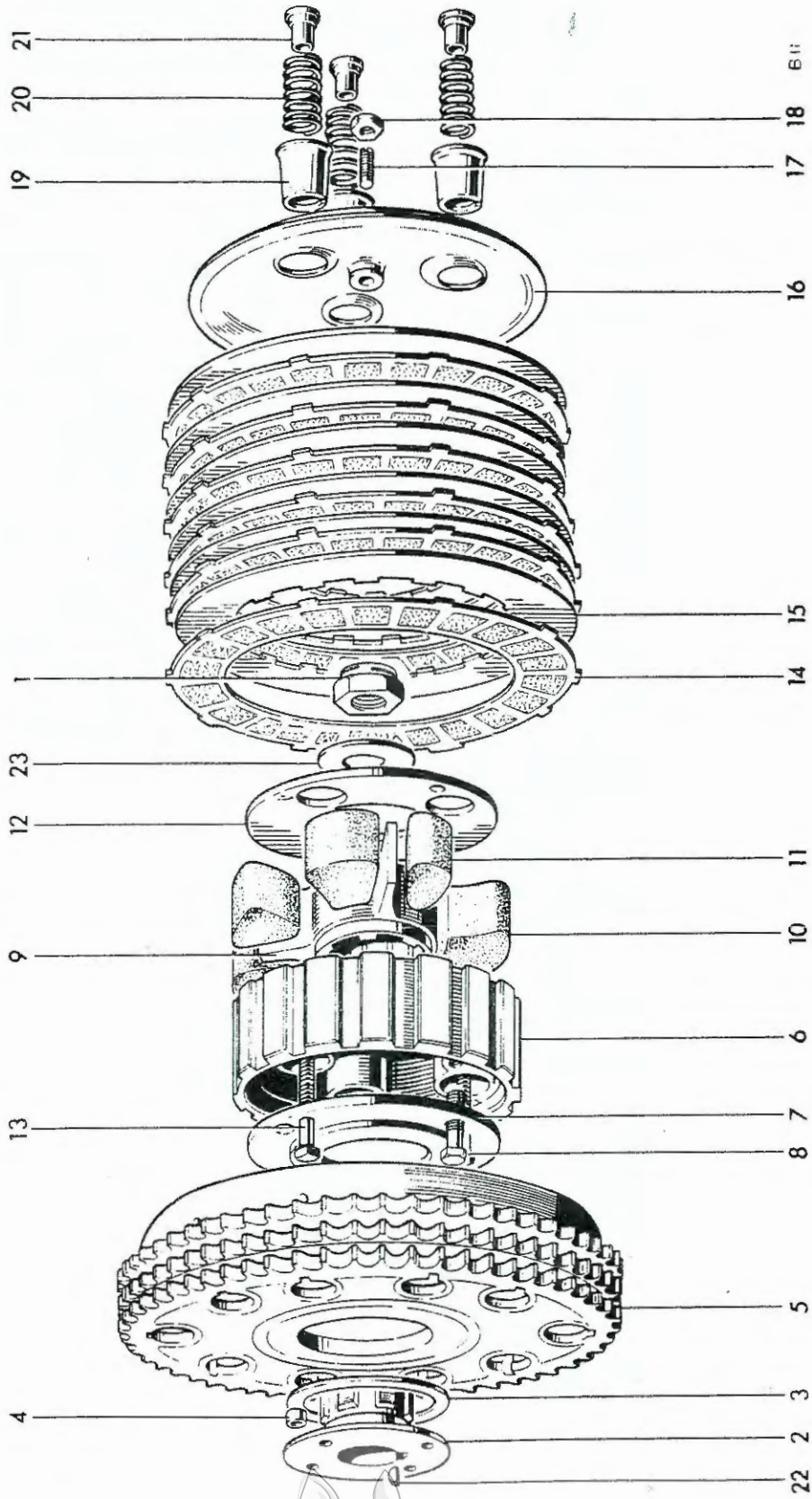


 **CLASSIC
BIKE SPARES**

GEARBOX OUTER COVER

Ref. No.	Part No.	Description	Quantity	
1	57-7050	GEARBOX OUTER COVER	1	
2	57-7055	Kickstarter spindle bush	1	
3	57-7008	Gearchange spindle bush	1	
8	57-7021	Gearchange quadrant assembly	1	
8A	71-1448	Gasket outer cover	1	
9	57-7051	Quadrant return springs	2	
10	57-4403	Gearchange quadrant plunger	2	
11	57-0405	Plunger spring	2	
12	57-0407	Guide plate	1	
13	70-1612	Serrated washer	4	
14	14-6103	Bolt - guide plate	4	
18	57-7033X	Clutch lever assembly	1	
26	57-1646	Rubber cover	1	
27	57-3762	Abutment for clutch cable	1	
28	60-4247	Plain washer	2	
29	14-1302	Nut	1	
30	14-7013	Screw cover to crankcase	2	
31	14-7007	Screw outer cover to inner	2	
32	14-7006	Screw outer cover to inner	1	
41	21-0544	Domed nut	1	
42	57-2166	Filler plug	1	
43	70-8782	'O' ring	1	
44	21-1879	Screw	1	
45	57-7068	Plug G'Box Cover	1	- Non - K/Start
46	57-0031	K/Starter return spring	1	} Optional -When K/Starter Is Fitted Delete 57-7068 Plug
47	57-7083	K/Starter axle	1	
48	57-4117	K/Starter Quadrant	1	
49	57-7018	Folding K/Starter assy	1	
50	57-7017	K/Starter Pedal	1	
51	57-2330	Pedal Rubber	1	
52	57-1167	Pedal locating spring	1	
53	60-2364	Steel ball 1/4 dia	1	
54	57-2173	Kickstarter crank	1	
55	21-0541	Pedal bolt	1	
56	57-4356	Cotter pin c/w nut & washer	1	
57	57-1955	Oil seal housing	1	
58	57-1956	Oil seal	1	



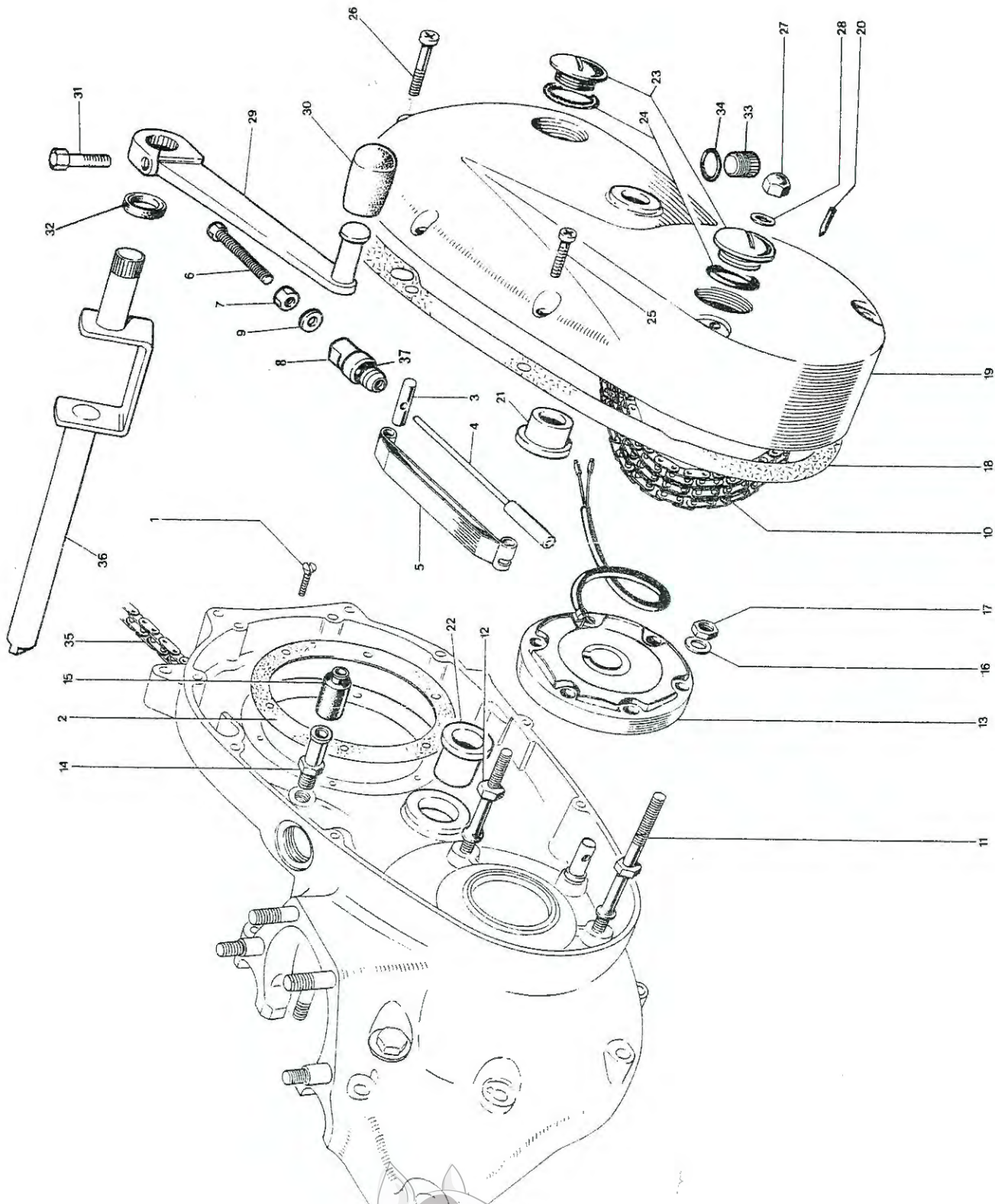


CLUTCH

CLUTCH

Ref. No.	Part No.	Description	Quantity
1	14-1307	Clutch securing nut	1
2	57-3929	Hub	1
3	57-3931	Thrust washer	1
4	57-0394	Roller	20
5	57-7065	Sprocket and housing	1
6	57-4438	Centre	1
7	57-4436	Inner plate	1
8	21-2157	Bolt	3
9	57-4636	Shock absorber spider	1
10	57-1722	Drive rubber (large)	3
11	57-1723	Rebound rubber (small)	3
12	57-4437	Outer plate	1
13	57-4754	Screwed pin	3
14	57-7058	Driving plate (bonded)	6
15	57-7060	Driven plate	6
16	57-4590	Pressure plate	1
17	57-2159	Adjuster pin	1
18	14-0403	Nut	1
19	57-1931	Spring cup	3
20	57-1830	Spring	3
21	57-2526	Pressure nut	3
22	60-4253	Key	1
23	21-7073	Washer	1
NI	57-7056	Clutch assembly complete	1
NI	57-4435	Clutch shock absorber assembly complete	1



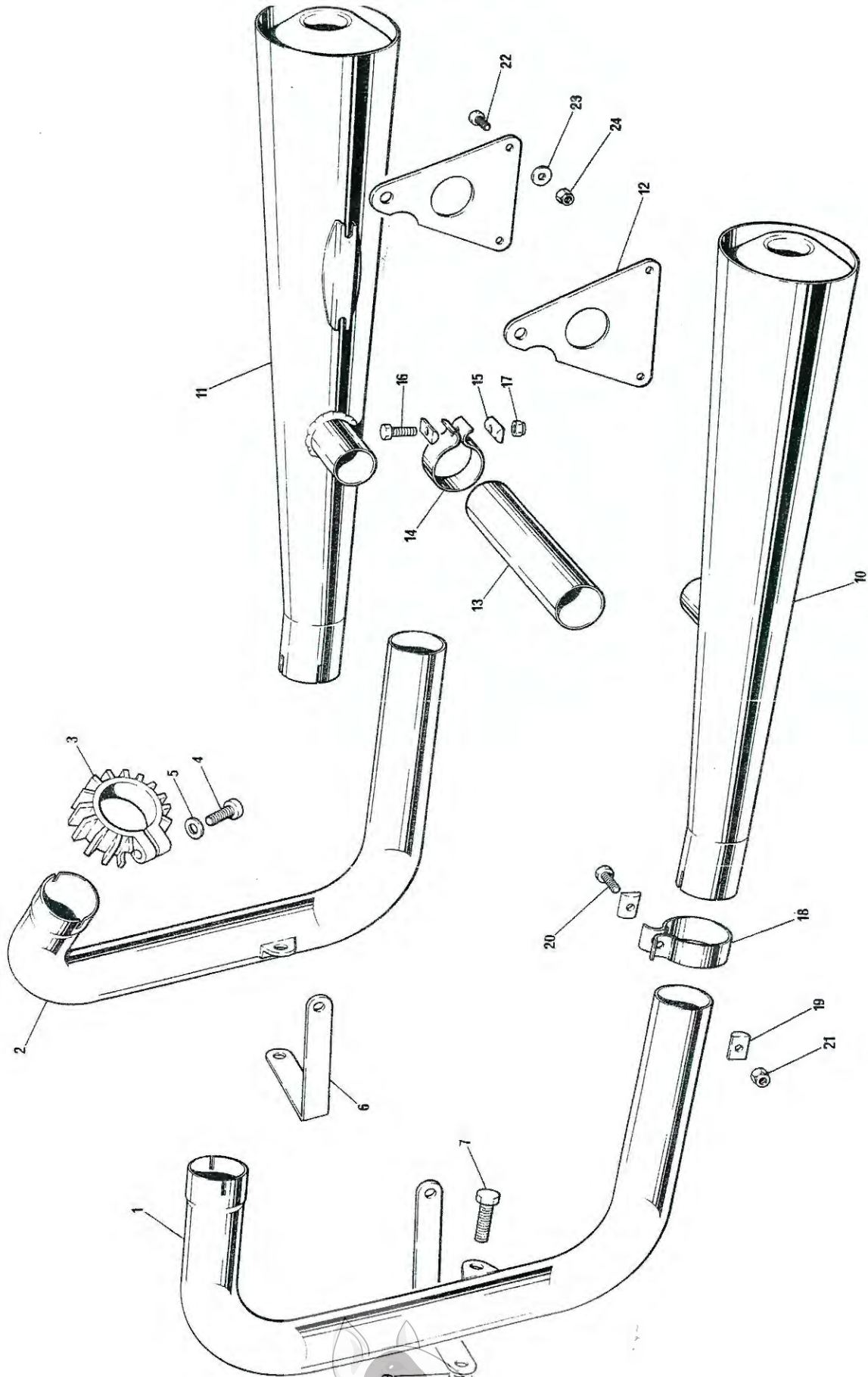


CHAINCASE AND CHAINS

CHAINCASE AND CHAINS

Ref. No.	Part No.	Description	Quantity
1	70-3821	Countersunk screw	6
2	71-1419	Joint washer	1
3	70-5087	Trunnion	1
4	71-7255	Tie rod - chain tensioner	1
5	70-5085	Blade - chain tensioner	1
6	21-7064	Screw - chain adjuster	1
7	14-0401	Nut - screw	1
8	71-7259	Plug - tensioner screw	1
9	60-7268	Washer - for Nut	1
10	60-4125	Primary chain, 3/8 in. Triplex x 84 links	1
11	21-2199	Stator stud	2
12	21-2198	Stator stud	1
13	60-7256	Alternator CPTC - See item 38,39	1 Lucas 54021841
14	70-9360	Sleeve nut	1
15	70-4144	Rubber grommet	1
16	60-4247	Plain washer	3
17	21-1852	Self-locking nut	3
18	71-7009	Joint washer	1
19	71-7464	Chaincase	1
20	71-3892	Timing pointer	1
21	57-7055	Bush - footchange spindle	1
22	57-7009	Bush - footchange spindle inner	1
23	71-3895	Inspection plug	2
24	71-3896	'O' ring	2
25	14-7006	Screw	6
26	14-7019	Screw	2
27	21-0544	Domed nut	2
28	82-1880	Copper washer	2
29	57-7010	Gearchange pedal	1
30	57-2331	Pedal rubber	1
31	14-0201	Bolt	1
32	57-1956	Oil seal-spindle	1
33	14-7017	Drain plug - primary cover	1
34	70-6299	'O' ring - drain plug	1
35	60-2118	Rear chain 5/8in. x 3/8in. x 107 links	1
36	57-7062	Footchange spindle	1
37	70-6299	'O' Ring for plug - Ref. line 8	1
38	99-7057	Stator - Lucas 47244	1
39	99-7584	Motor - Lucas 54212006	1

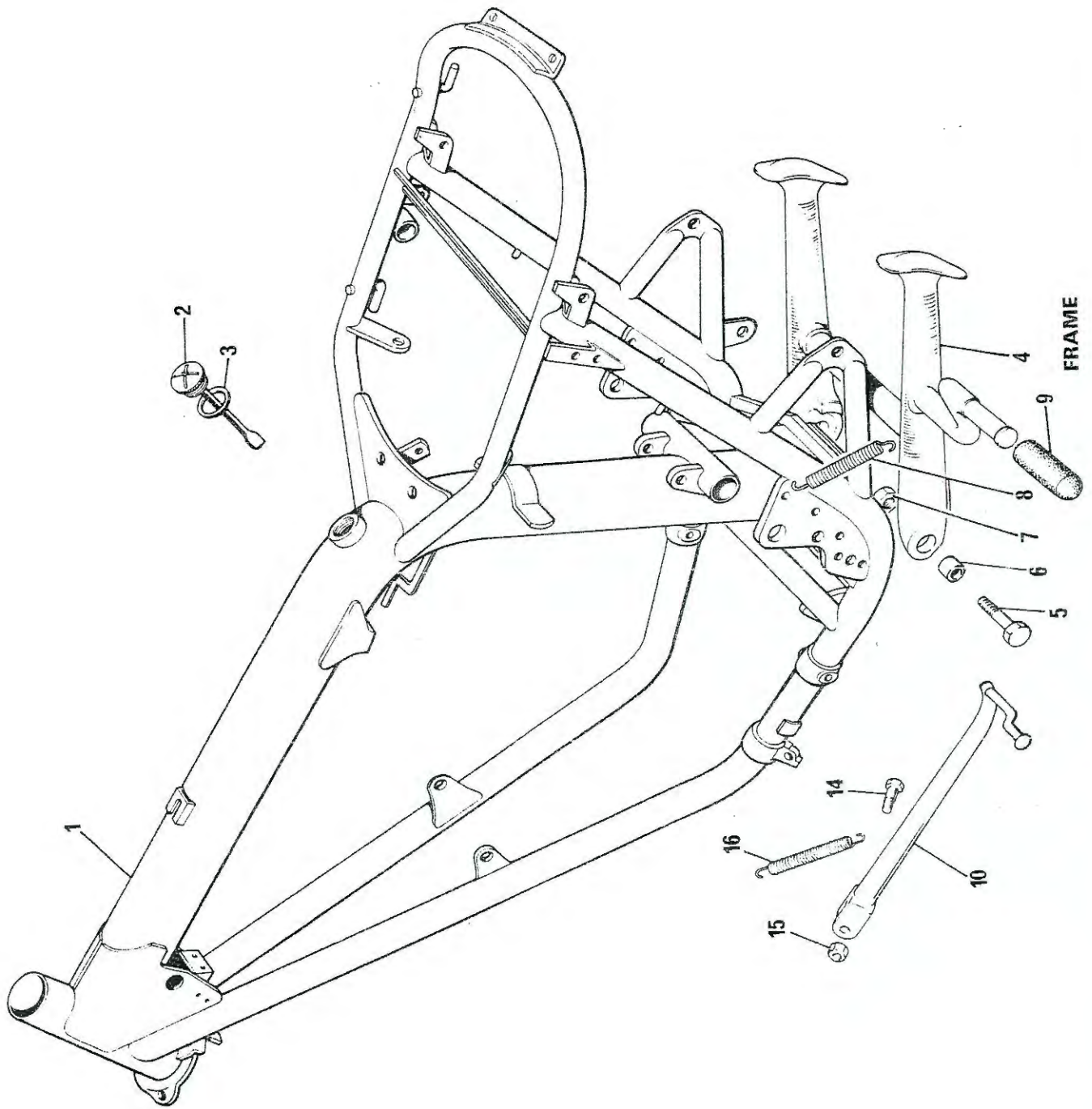




EXHAUST PIPES & SILENCERS

Ref. No.	Part No.	Description	Quantity
1	71-7699	Exh pipe assy LH	1
2	71-7700	Exh pipe assy RH	1
3	71-0216	Finned clip	2
4	70-6744	Bolt finned clip	2
5	70-8860	Washer	2
6	71-7701	Exh pipe stay	2
7	14-0102	Bolt	2
8	14-1301	Nut	2
9	60-2329	Washer	2
10	71-7677	Silencer assy LH	1
11	71-7678	Silencer assy RH	1
12	83-8387	Hanger brkt silencer	2
13	71-7680	Coupling pipe	1
14	70-5874	Clip-coupling pipe	2
15	70-3768	'D' washer	4
16	14-0219	Bolt	2
17	14-1202	Nut	2
18	71-7694	Clip silencer to pipe	2
19	70-3768	'D' washer	4
20	14-0219	Bolt	2
21	14-1202	Nut	2
22	14-0102	Bolt silencer to hanger	4
23	60-2338	Washer silencer to hanger	4
24	14-1201	Nut silencer to hanger	4



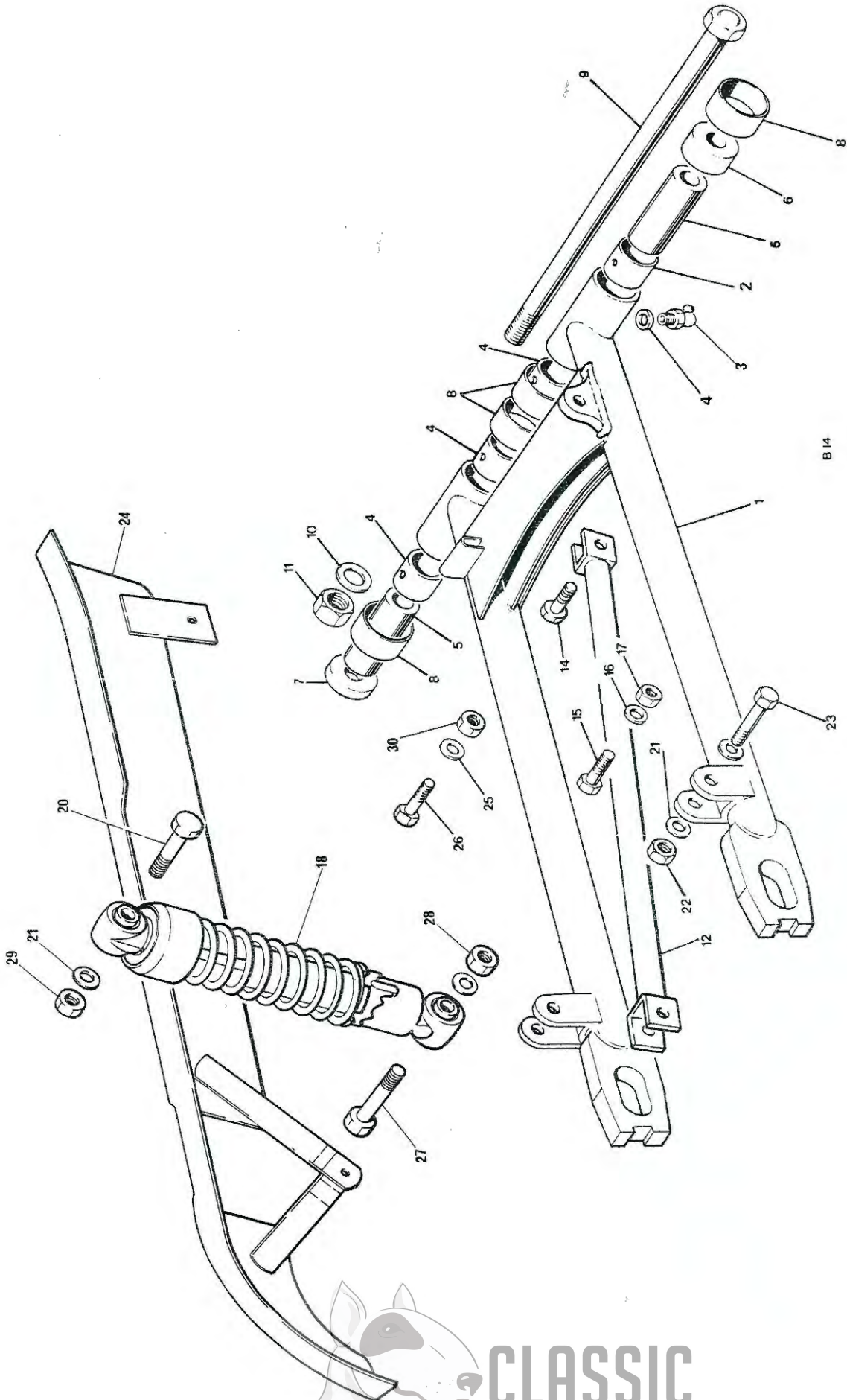


FRAME

Ref. No.	Part No.	Description	Quantity
1	83-8265	Frame	1
2	71-3463	Oil filler cap	1
3	60-3616	'O' ring	1
4	83-7532	Centre stand	1
5	14-0147	Pivot bolt	2
6	83-7460	Pivot bearing bush	2
7	14-1305	Nut - Pivot bolt	2
8	83-3793	Return spring	1
9	57-2331	Pedal rubber	1
10	83-7553	Prop stand	1
14	82-7021	Pivot bolt	1
15	14-1303	Nut - bolt	1
16	82-8382	Return spring	1
NI	60-3361	Transfer - "made in England"	1
NI	60-7168	Transfer - "Radio Suppression"	1



**CLASSIC
BIKE SPARES**



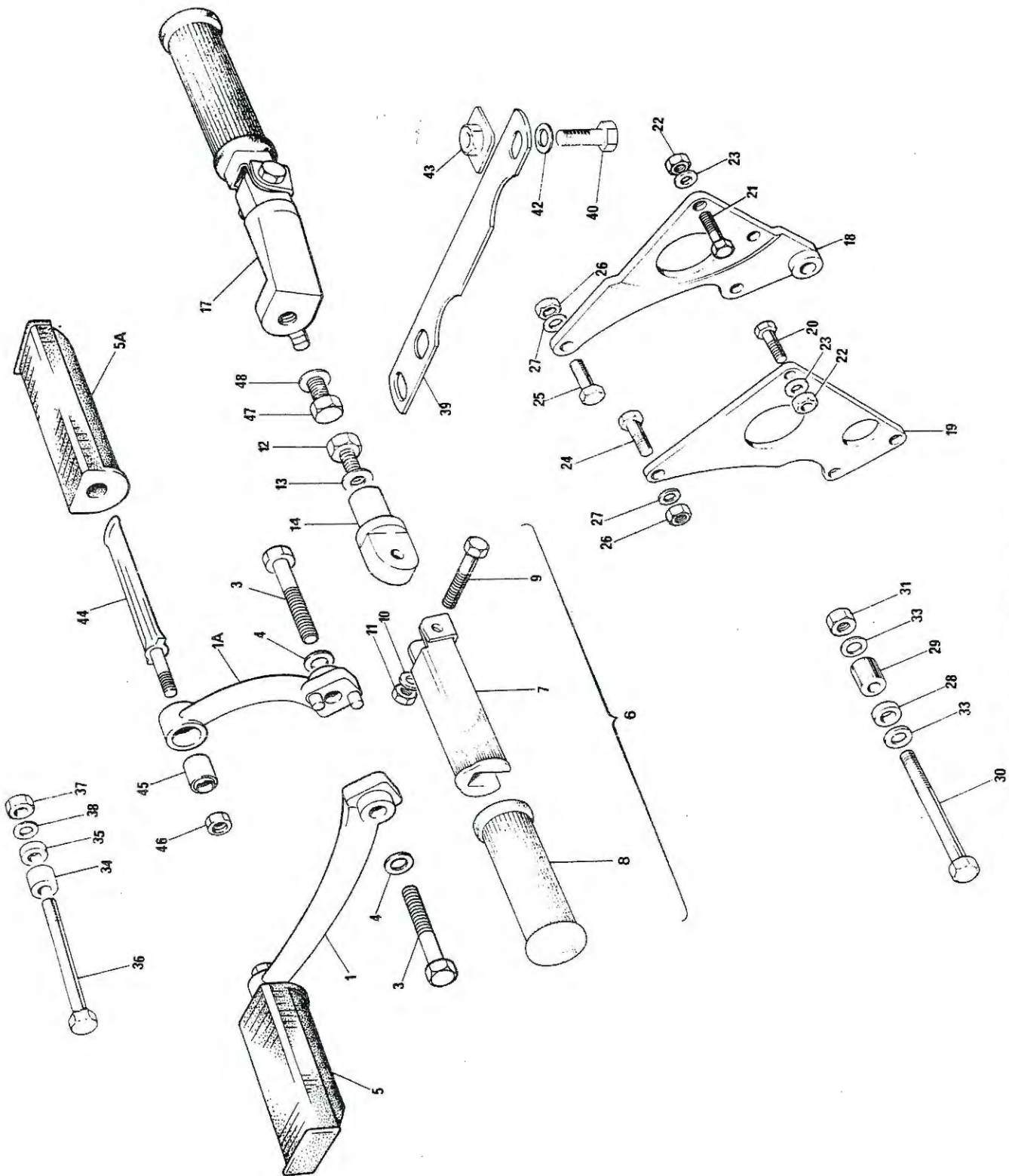
B14

SWINGING ARM AND SUSPENSION UNITS

SWINGING ARM AND SUSPENSION UNITS

Ref. No.	Part No.	Description	Quantity
	83-8302	Swinging arm assy c/w bushes	
1	83-8247	SWINGING ARM	1
2	83-2521	Bush	4
3	60-7336	Grease nipple	1
4	21-7097	Washer for nipple	1
5	83-2691	Sleeve, swinging arm pivot	2
6	83-8257	Distance piece R.H.	1
7	83-2689	Distance piece L.H.	1
8	83-2692	Dirt excluder	4
9	21-2087	Pivot bolt - swinging arm	1
10	83-2266	Washer, swinging arm pivot	2
11	14-1307	Nut, swinging arm pivot	1
12	83-8353	Brake torque stay	1
14	21-7047	Bolt torque stay - swinging arm	1
15	21-7065	Bolt, torque stay - caliper	1
16	60-2331	Washer, torque stay	2
17	14-1303	Nut, torque stay	2
18	60-7644	SUSPENSION UNIT	2
20	14-0235	Bolt, damper - top	2
21	60-2331	Washer, damper-top and bottom	4
22	14-1203	Nut, damper - RH Btm	1
23	14-0237	Bolt, damper, lower RH	1
24	83-8278	Chainguard	1
25	60-2347	Washer, chainguard fixing - front	1
26	14-0206	Bolt, chainguard fixing front	1
N.I.	60-1841	Grease Nipple	1
N.I.	83-7221	Fibre Washer	2
27	14-0235	Bolt damper-lower LH	1
28	14-1303	Nut damper LH Btm	1
29	14-1203	Nut damper top LH & RH	2
30	14-1301	Nut chainguard bolt front fixing	1
N.I.	83-8386	Bracket rear brake hose	1



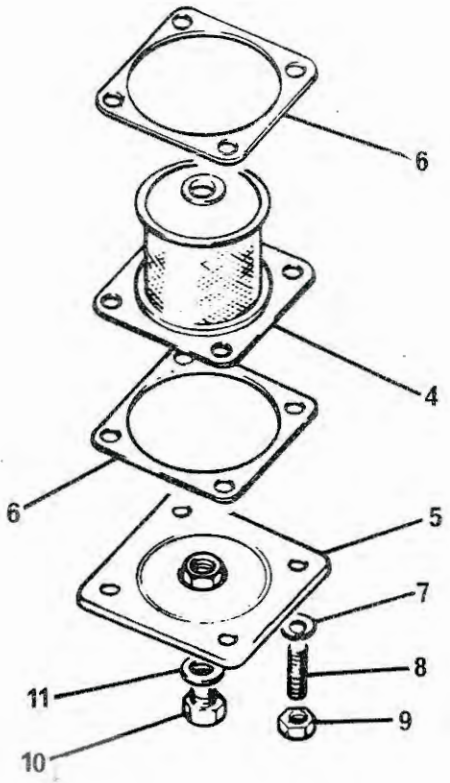
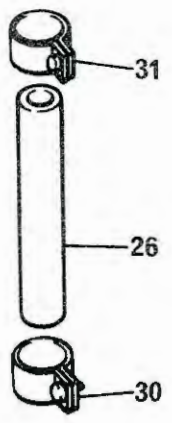
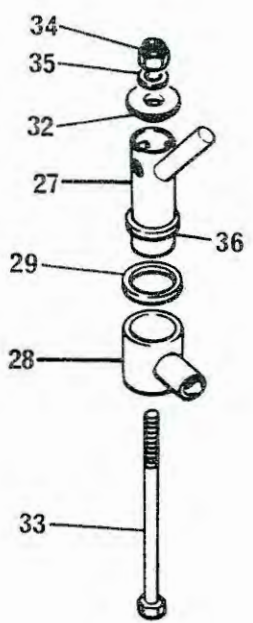
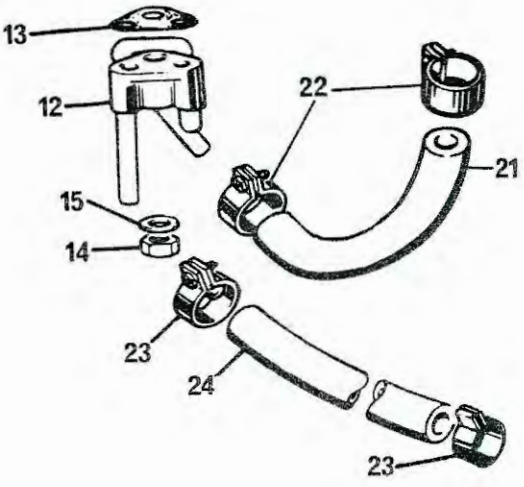
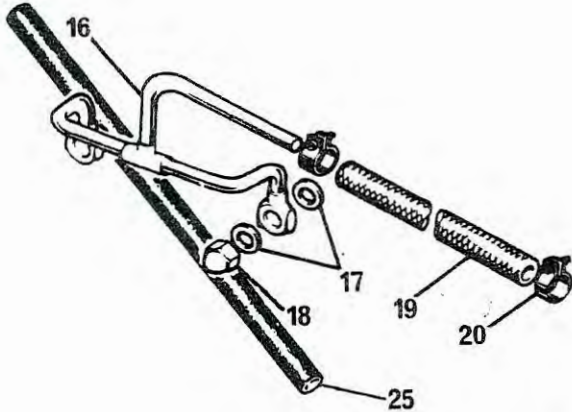


MOTOR UNIT FITTINGS AND FOOTRESTS

MOTOR UNIT FITTINGS AND FOOTRESTS

Ref. No.	Part No.	Description	Quantity
1	83-8034	Footrest Left	1
1A	83-8036	Footrest right	1
3	14-0259	Footrest bolt	2
4	60-2421	Washer	2
5	83-7256	Footrest rubber LH	1
5A	83-7259	Footrest rubber RH	1
6	83-7695	PILLION FOOTREST ASSEMBLY	2
7	83-7059	Pedal	2
8	82-9054	Pedal Rubber	2
9	14-0216	Bolt	2
10	82-9089	Washer	2
11	14-1302	Nut	2
12	14-0128	Bolt	1
13	60-2419	Washer	1
14	83-7694	Hanger P/F-C/W peg	1
17	83-8419	Hanger - RH	1
18	83-8282	Rear motor plate right	1
19	83-8255	Rear motor plate left	1
20	14-0115	Bolt	4
21	14-0218	Bolt	1
21A	14-0216	Bolt	3
22	14-1302	Nut	4
23	60-2330	Washer	9
24	14-0220	Bolt-LH upper and lower	2
25	14-0222	Bolt-RH upper	1
25	14-0221	Bolt-RH lower	1
26	14-1302	Nut	4
27	60-2321	Washer	8
28	83-8288	Distance piece - left	1
29	83-8287	Distance piece - right	1
30	21-2112	Bolt	1
31	14-1304	Nut	1
33	60-2332	Washer	2
34	83-8290	Distance piece - left	1
35	83-8289	Distance piece - right	1
36	21-7142	Bolt	1
37	14-1304	Nut	1
38	60-2332	Washer	1
39	83-8285	Steady bracket motor to frame	1
40	14-0128	Bolt	1
42	60-2419	Spring washer	1
43	83-4086	Attachment plate	1
44	83-8038	Footrest Peg LH/RH	2
45	60-7333	Rubber Bush	2
46	14-1303	Nut	2
47	14-0126	Bolt	1
48	60-2419	Washer	1



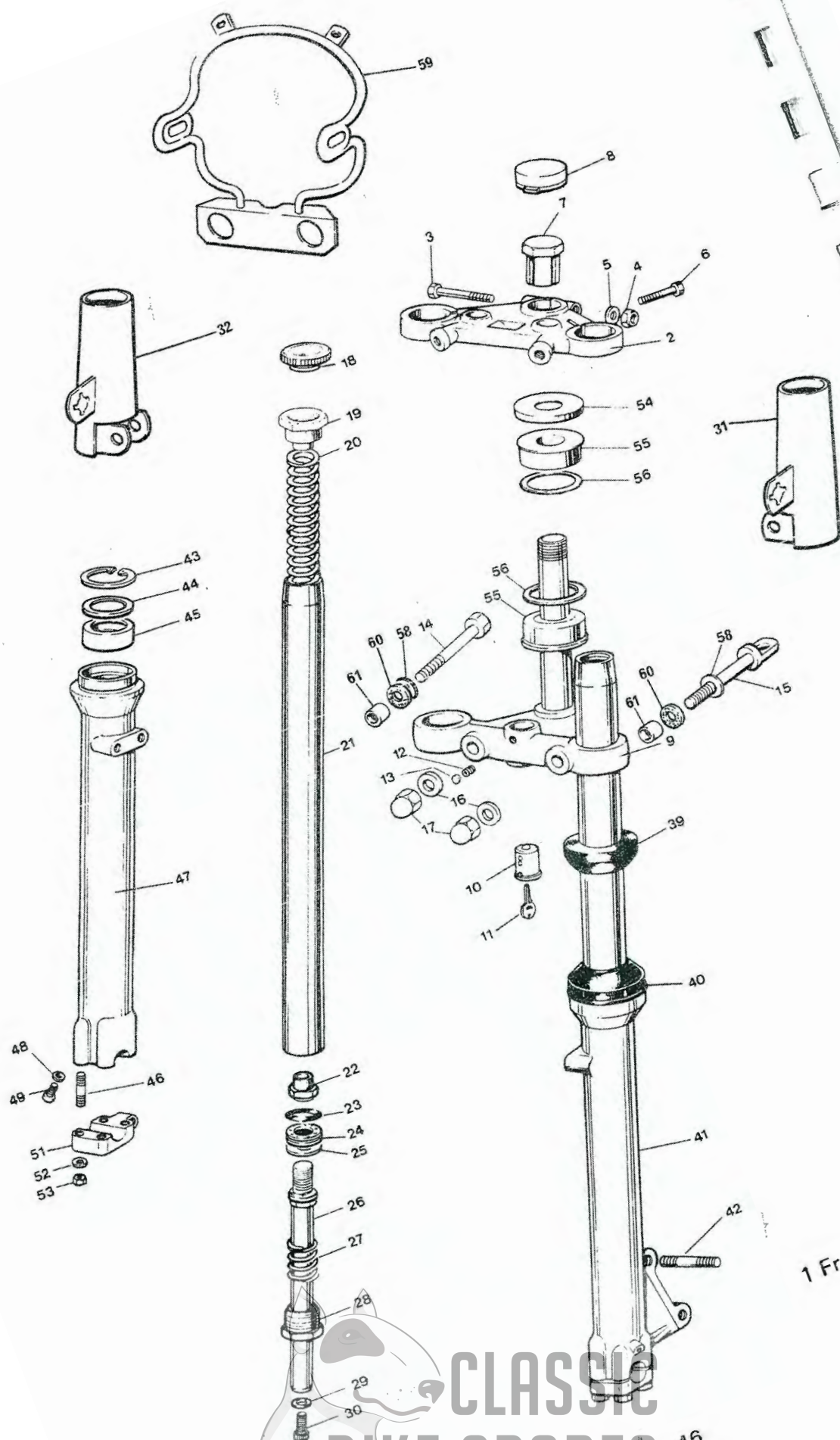



CLASSIC
 OIL AND BREATHER PIPES
BIKE SPARES
 44

OIL AND BREATHER PIPES

Ref. No.	Part No.	Description	Quantity
4	83-4783	Oil filter	1
5	71-7584	Sump plate	1
6	83-2829	Gasket	2
7	60-2330	Washer	4
8	21-2109	Stud	4
9	14-1302	Nut	4
10	21-1872	Drain plug	1
11	70-1335	Copper washer - Drain plug	1
12	71-7176	Oil junction block	1
13	71-3754	Joint washer	1
14	21-1908	Nut	1
15	70-3446	Washer } Junction to block to crankcase	1
16	71-3550	Rocker oil pipe	1
17	70-1335	Washer	4
18	21-0550	Nut	2
19	71-3551	Rocker feed pipe	1
20	70-6848	Clip - rocker feed pipe	2
21	71-7058	Oil return pipe	1
22	60-4429	Clip - return pipe	2
23	60-4428	Clip - feed pipe	2
24	71-7015	Oil feed pipe	1
25	83-7154	Oil tank vent pipe - to rocker box	1
26	83-7323	Breather pipe - crankcase to air box	1
27	83-7703	Breather tower	1
28	83-7148	Banjo union	1
29	21-7103	Washer - banjo union	1
30	60-2252	Clip - breather pipe to adaptor	1
31	60-7117	Clip - breather pipe to banjo	1
32	83-7882	Cap - breather tower top	1
33	14-0213	Bolt - breather tower to air box	1
34	14-1901	Nut - breather tower to air box	1
35	70-2441	Washer - breather tower to air box	1
36	83-7884	Collar	1



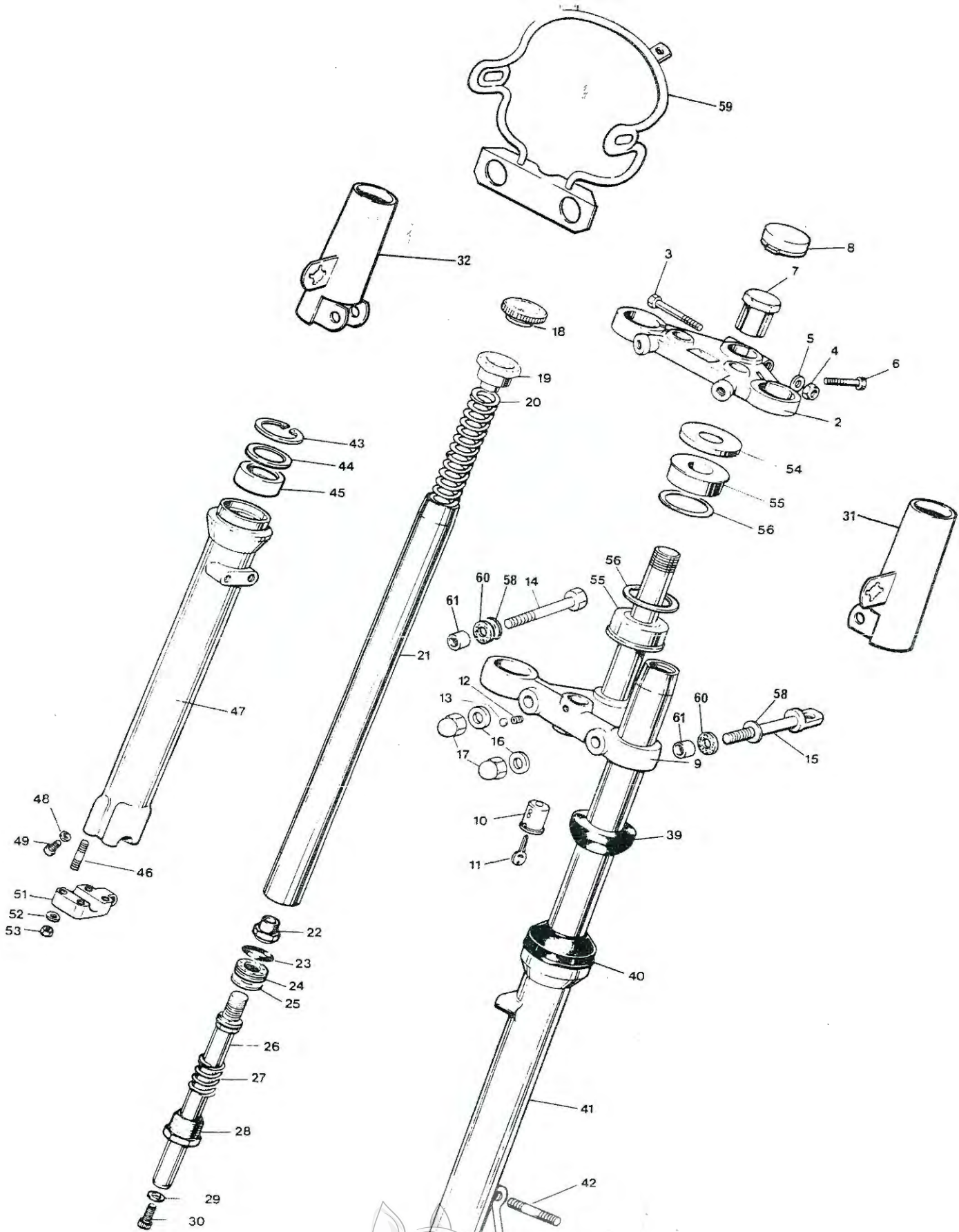


1 Front Fork Assy.

TELESCOPIC FRONT FORK

Ref. No.	Part No.	Description	Quantity
1	97-7240	Fork Assy	1
2	97-4541	Top yoke	1
3	14-0234	Pinch bolt	1
4	14-1303	Nut	1
5	60-2331	Washer	1
6	14-1034	Cap screw	2
7	97-7070	Steering stem nut	1
8	97-7071	Cap steering stem nut	1
9	97-7095	Bottom yoke & stem	1
10	60-7271	Lock c/w 2 keys neiman type	1
11	60-0623	Key (state serial no.)	As required
12	21-0578	Grub screw lock fixing	1
13	97-2266	Sealing washer	1
14	14-0239	Pinch bolt - right	1
15	97-7218	Eye bolt - left	1
16	60-2331	Washer eye bolt	4
17	21-0550	Nut - Domed	2
18	97-7034	Cap screw assembly c/w insert	2
N/I	97-4259	Insert self adhesive	2
19	97-4387	Top nut	2
20	97-4011	Main spring	2
21	97-4380	Stanchion	2
22	97-4012	Nut - damper valve	2
23	97-4003	'O' ring	2
24	97-4020	Damper valve	2
25	97-4010	Plain washer - damper valve	2
26	97-4325	Damper tube	2
27	97-4009	Recoil spring	2
28	97-4076	End plug	2
29	97-4004	Sealing washer	2
30	14-1019	Damper fixing screw	2
31	97-7247	Top cover assy - LH	1
32	97-7246	Top cover assy - RH	1
39	97-4461	Rubber ring	2
N.I.	97-4166	Washer For Top Nut	2





1 Front Fork Assy.

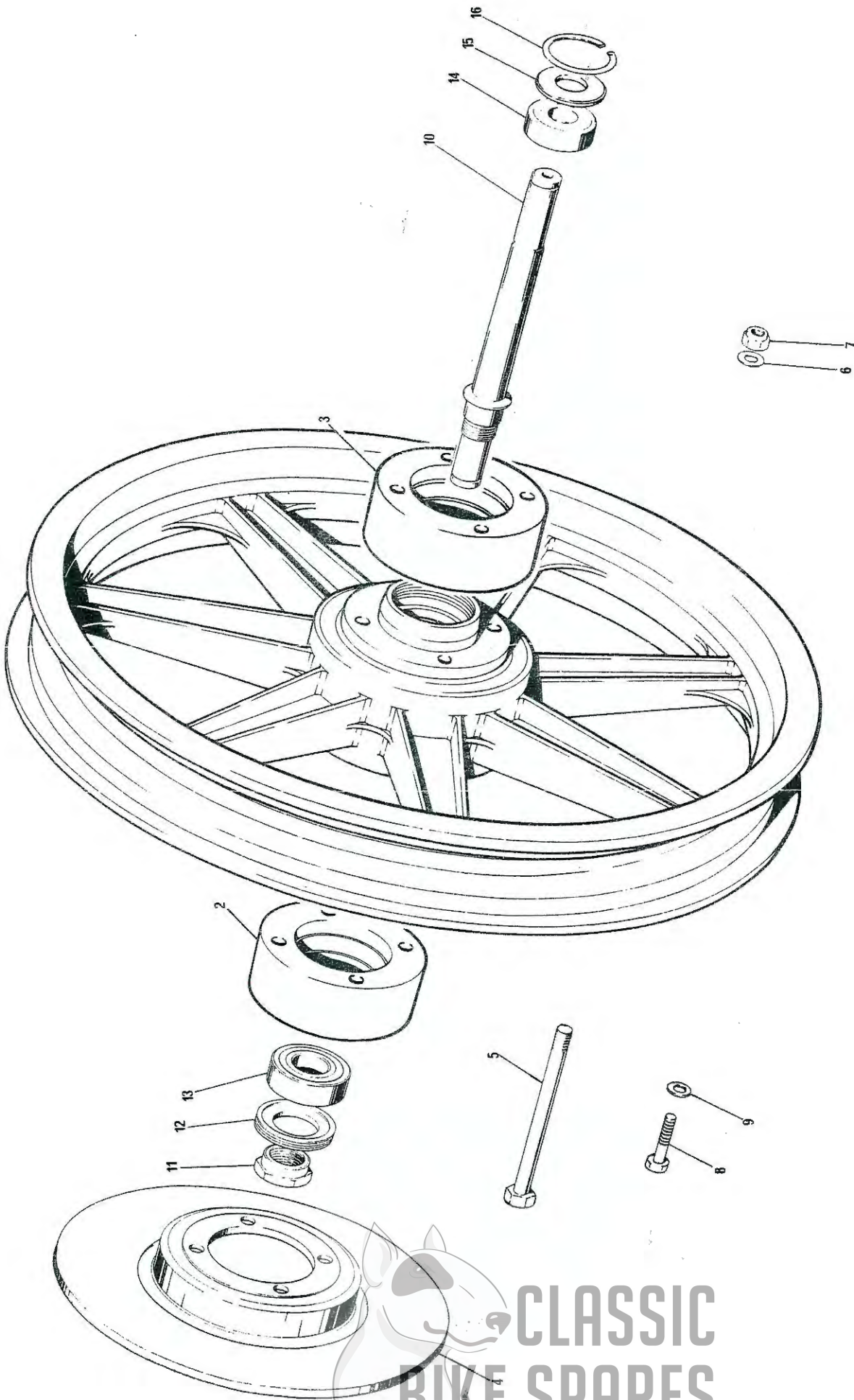
TELESCOPIC FRONT FORK

Ref. No.	Part No.	Description	Quantity
40	97-4002	Scraper sleeve	2
41	97-7020	Bottom member LH	1
42	21-2189	Stud - caliper	2
43	60-7269	Circlip	1
44	97-7093	Retainer	1
45	97-7079	Oil seal	1
46	21-2102	Stud - spindle	2
47	97-7147	Bottom member RH	1
43	60-7269	Circlip	1
44	97-7093	Retainer	1
45	97-7079	Oil seal	1
46	21-2102	Stud - spindle	2
48	97-3893	Washer - drain plug	2
49	97-3894	Drain plug	2
51	97-7062	Cap wheel spindle R.H.	2
52	60-2428	Washer - cap	8
53	14-0302	Nut - cap	8
54	97-4028	Dust cover	1
55	97-4031	Bearing	2
56	83-2007	Backing ring	2
N/I	82-6784	Grommet throttle cable	1
58	97-7219	Spacer- pinch bolts	2
59	97-7217	Headlamps mounting bkt.	1
60	82-5753	Grommet - Eye bolts	2
61	97-7248	Spacer - For Grommet	2

PARTS REQ'D FOR TWIN DISC BRAKE CONDITION

14	97-7218	Eye bolt	2
NI	97-7253	Front fork assy complete	1
NI	97-7210	Bottom member assy-RH c/w helicoils	1






**CLASSIC
BIKE SPARES**

FRONT WHEEL CAST ALLOY

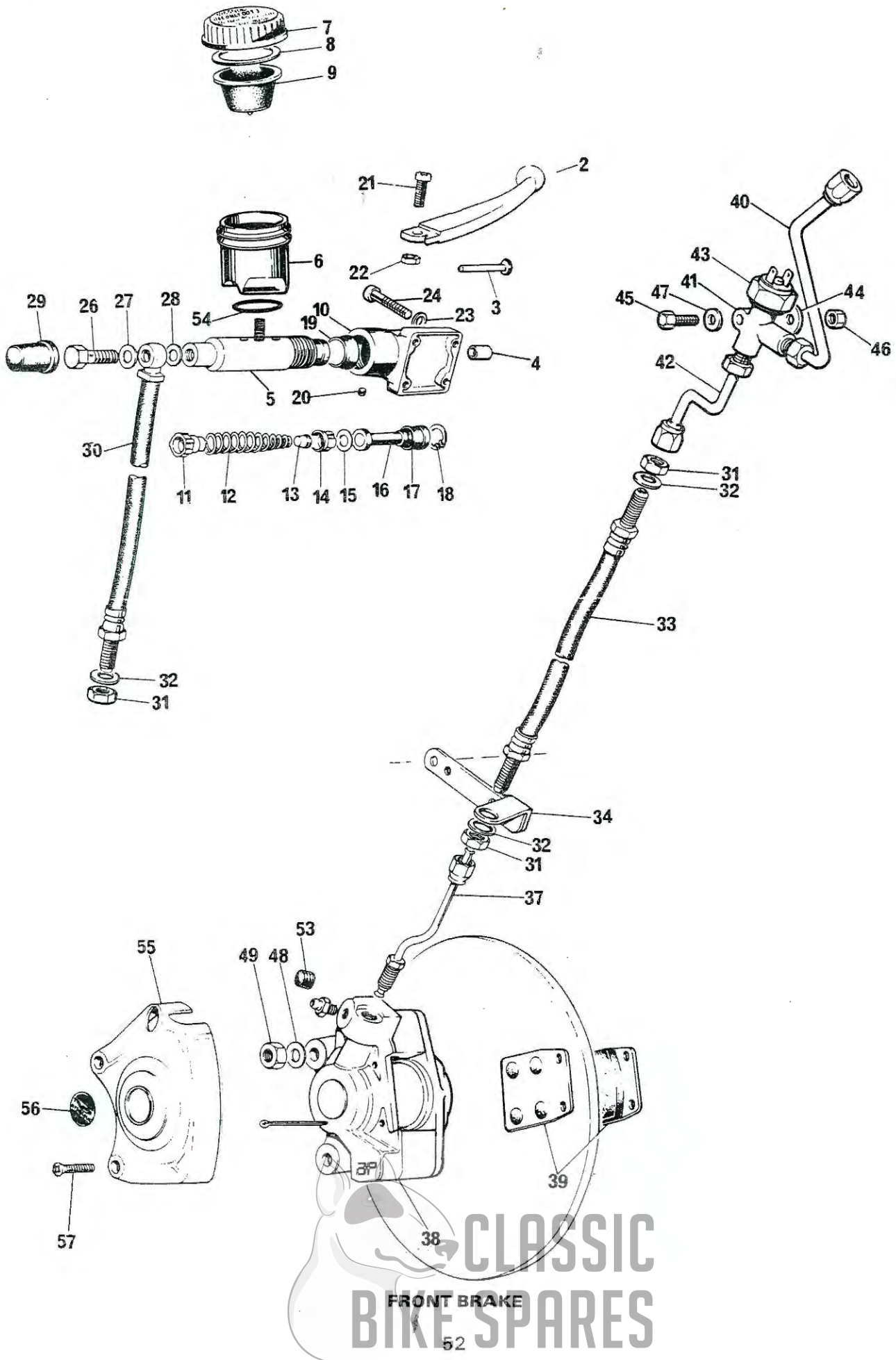
Ref. No.	Part No.	Description	Quantity
NI 1	37-7239	Front wheel assy c/f 5 hole	1ALT
NI 1	37-7221	Front wheel assy 4 hole	1ALT
2	37-7161	Bearing carrier L.H. 4 hole	1ALT
2	37-7235	Bearing carrier LH for c/f wheel 5 hole	1ALT
3	37-7162	Bearing carrier R.H. 4 hole	1ALT
3	37-7234	Bearomg carroer RH for c/f wheel 5 hole	1ALT
4	37-7175	Disc-not chromed - 4 hole	1ALT
4	37-7236	Disc 5 hole for c/f wheel	1ALT
5	21-2207	Bolt	4ALT
6	70-8770	Washer Disc to hub 4 hole	8ALT
7	14-1203	Nut	4ALT
8	14-6233	Boit disc to hub for c/f wheel	10ALT
9	60-2331	Washer disc to hub for c/f wheel 5 hole	10ALT
10	37-4132	Spindle	1
11	37-4133	Nut - wheel spindle	1
12	37-4134	Lock ring - left	1
13	37-7041	Bearing-left	1
14	37-7042	Bearing-right	1
15	37-1237	Dust cover - right	1
16	57-0280	Circlip-right	1

FRONT WHEEL FOR TWIN DISC - CAST ALLOY

37-7183	Front wheel assy - 4 hole	1ALT
37-7175	Disc - 4 hole	2ALT
21-7085	Bolt - Discs to hub - 4 hole	4ALT
37-7243	Front wheel assy - 5 hole	1ALT
37-7236	Disc - 5 hole	2ALT



REF. 1 MASTER CYLINDER COMPLETE

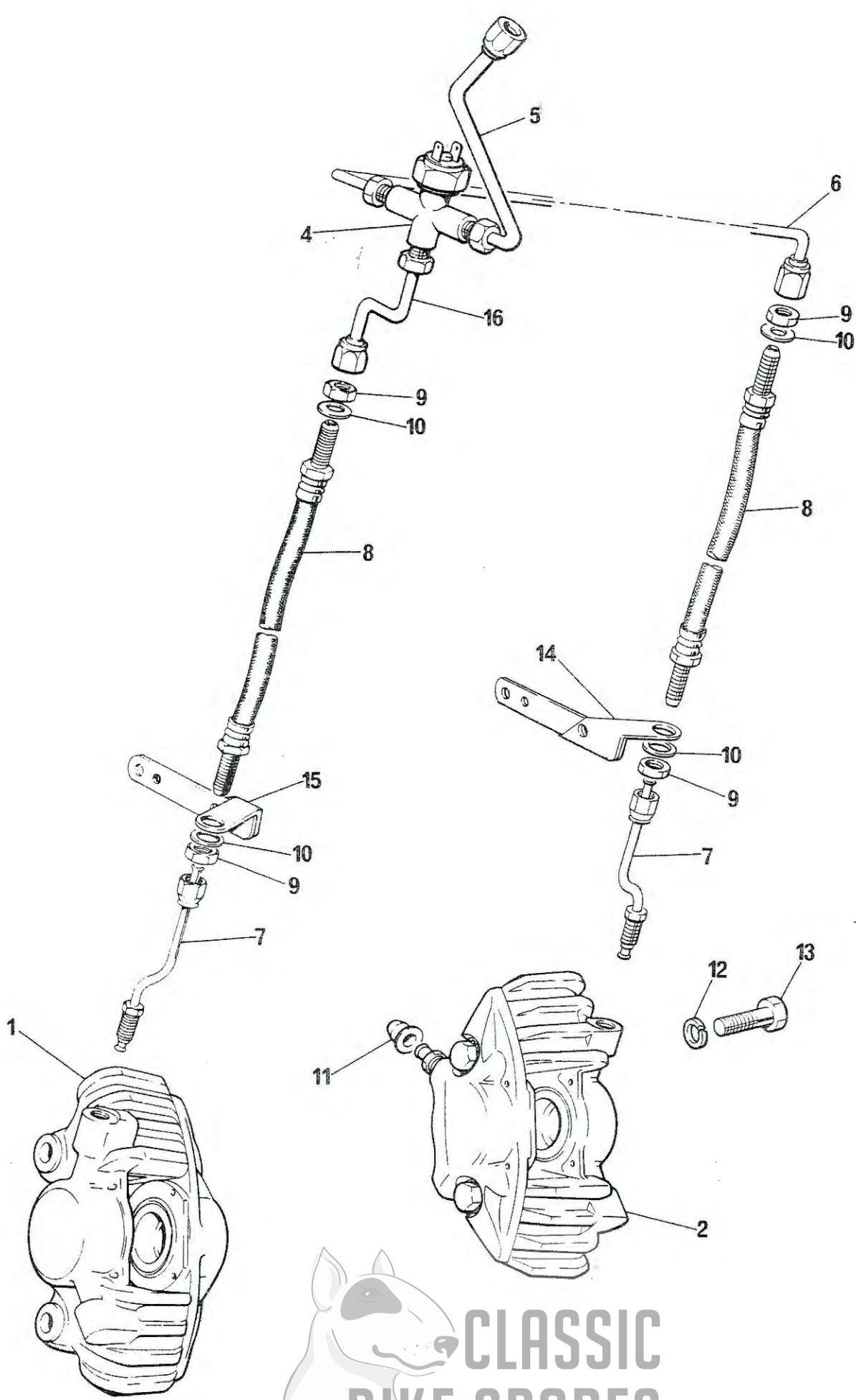


CLASSIC
FRONT BRAKE
BIKE SPARES
52

FRONT BRAKE

Ref. No.	Part No.	Makers Part No.	Description	Quantity	Remarks
1	60-7686		MASTER CYLINDER ASSY	1	
2	97-7193		Brake lever	1	
3	60-7158		Push rod	1	
4	60-7165		Bush for pushrod	1	
5	99-7027	4211-134	Barrel & stud assembly	1	
6	60-4397	3251-821	Body Reservoir	1	
7	60-4365	3847-248	Cap	1	
8	60-4328	3853-238	Washer	1	
9	60-4366	3818-747	Diaphragm	1	
10	60-7164		Master cyl mtg body	1	
11	AP.LTD	Use 99-2768	Trap valve	1	} Ref only
12	AP.LTD		Spring	1	
12	AP.LTD		Spring	1	
13	AP.LTD		Spring retainer	1	
14	AP.LTD	Use 99-2768	Primary cup	1	
15	AP.LTD	Use 99-2768	Piston washer	1	
16	AP.LTD		Piston	1	
17	AP.LTD	Use 99-2768	Secondary cup	1	
18	AP.LTD	K29103	Circlip	1	
19	AP.LTD	Use 99-2768	Rubber boot	1	
20	AP.LTD	3476-209	Grub screw	1	
21	21-2191		Pivot screw	1	
22	14-1901		Nut	1	
23	23-1555		Washer	4	
24	21-7038		Screw	4	
26	60-4183	30420	Banjo bolt	1	
27	60-4182	KL44518	Sealing washer	1	
28	60-4184	KL44516	Sealing washer	1	
29	60-4626	3817-811	Rubber boot	1	
30	60-7174	4376-405L	Hose, master cylinder/top yoke c/w boot	1	for high handlebar
31	60-4180	K24103	Locknut	3	
32	70-2288	K19407	Washer	3	
33	60-4175	KL100613L	Hose, bottom yoke/fork leg	1	
34	83-7064		Bracket - pipe support	1	
37	60-4178	ZTA2070N	Pipe, fork leg/caliper	1	
38	60-7478		CALIPER	1	
39	60-7437		Brake pad kit	1	
Not illus.	99-7006	KL71594	Caliper seal kit	1	
40	60-7177		Pipe - top lug to 'T'	1	
41	60-7176	3725-617	'T' piece	1	
42	60-7178		Pipe - 'T' to middle lug	1	
43	60-7155	2SH34619	Brake switch	1	
Not illus.	70-1335		Washer brake switch	1	
44	97-7202		Bracket 'T' piece	1	
45	14-0105		Screw - bracket to 'T'	1	
46	14-1301		Nut - bracket to 'T'	1	
47	60-2329		Washer - bracket to 'T'	1	
48	60-2331	-	Washer	2	} Caliper to outer member
49	14-1303	-	Nut	2	
53	60-4266	363-400	Cover, bleed nipple	1	
Not illus.	99-2768	SSB930	Front master cyl. seal kit	1	
54	60-4374	-	'O' ring	1	
55	37-4263		Caliper cover	1	
56	60-4156		Decal - caliper cover	1	
57	21-2196		Screw - caliper cover	2	





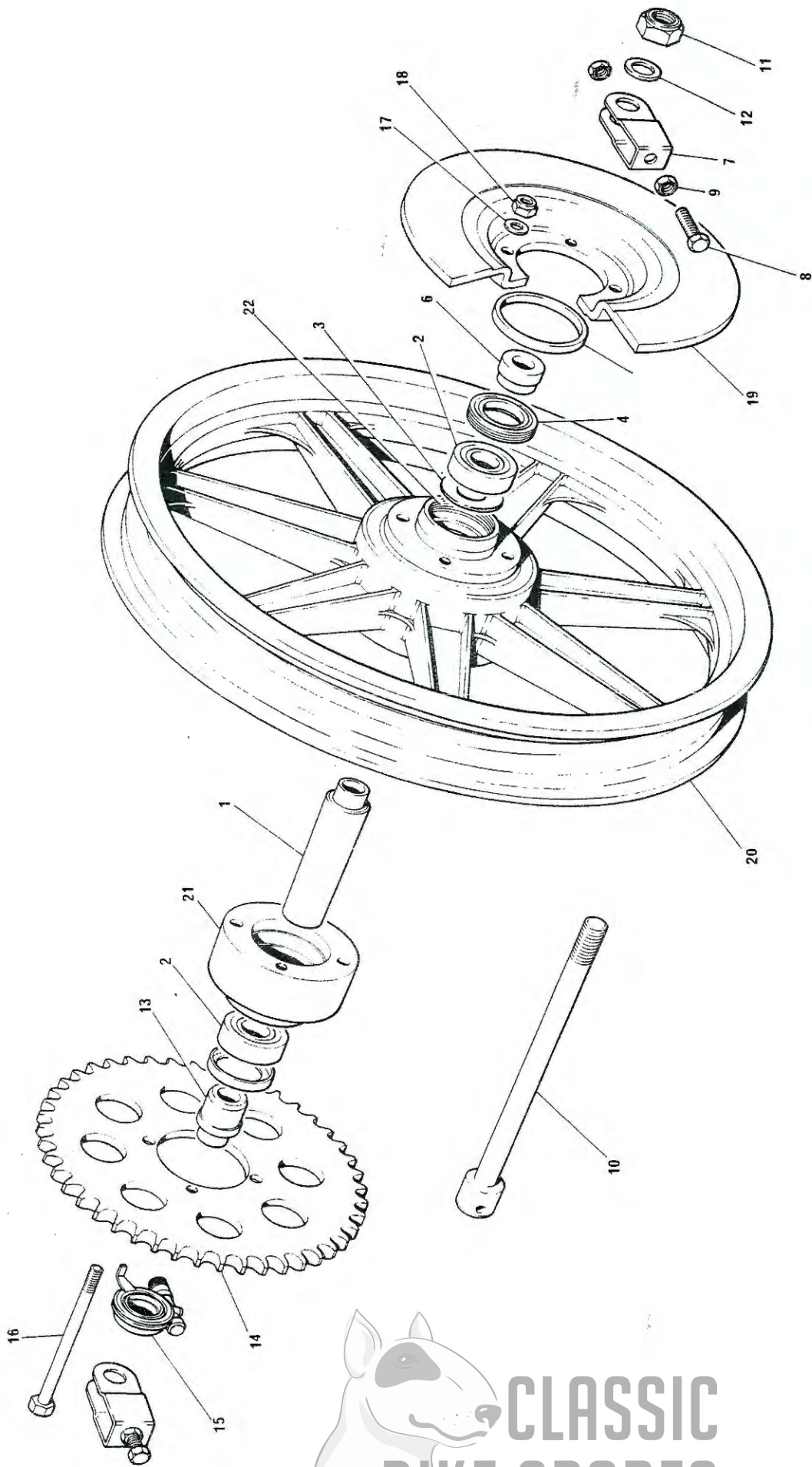
TWIN BRAKE CONDITION

Ref No.	Part No.	Description	QUANTITY
1	60-7484	Caliper LH	1
2	60-7485	Caliper RH	1
N/I	60-7481	Front Master CYL Assy	1
4	60-7482	Junction Block Assy 4Way	1
5	60-7494	Brake Pipe	1
6	60-7495	Brake Pipe	1
7	60-7496	Brake Pipe	2
8	60-4175	Hose	2
9	60-4180	Nut	5
10	70-2288	Serrated Washer	5
11	60-4266	Cover Bleed Nipple	2
12	60-2419	Spring Washer	2
13	21-7119	Bolt Caliper Fixing	2
14	83-8062	Bracket-Pipe RH	1
15	83-7064	Bracket-Pipe LH	1
16	60-7178	Pipe	1
N/I	97-7197	Bracket-4 Way Connector	1
N/I	14-0105/004	Bolt-4 Way Connector	1
N/I	14-1301/004	Nut-4 Way Connector	1

WARNING:-

**Brake pad 60-7437 must only be used with plain cast iron disc Ref No 37-7175
Under no circumstances must these pads be used with chrome plated finished disc
Ref No. 37-4275.**



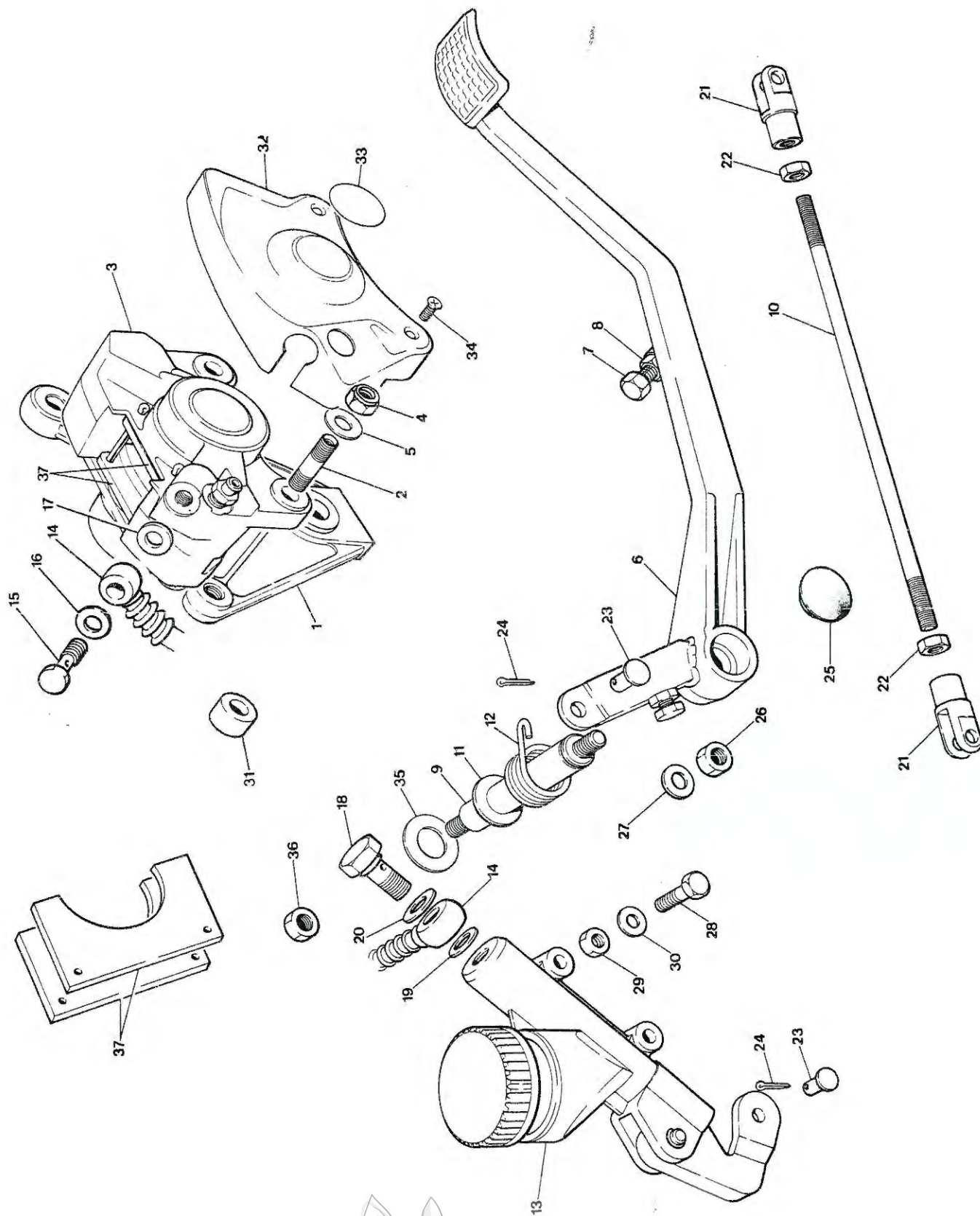


REAR WHEEL CAST ALLOY

Ref. No.	Part No.	Description	Quantity
1	37-7207	Spacer tube bearing	1
2	37-7041	Bearing left & right	2
3	37-4135	Retaining washer	2
4	37-7055	Lock ring RH	1
	37-7054	Dust cover RH	1
6	37-7111	Spacer RH bearing	1
7	37-7127	Chain adjuster	2
8	14-0118	Screw - chain adjuster	2
9	14-0302	Nut - chain adjuster	4
10	37-7197	Spindle	1
11	14-1307	Nut - spindle	1
12	83-2266	Washer - spindle nut	1
13	37-7052	Spacer LH bearing	1
14	37-7064	Sprocket 47 tooth	A
15	60-7091	Speedo drive gearbox	1
16	21-7134	Bolt - disc/sprocket to hub	4
17	70-8770	Washer - bolt and nut	4
18	14-1203	Nut - bolt	4
19	37-7175	Disc - Not Chromed	1
NI	14-6234	Bolt - disc to hub for c/f wheel	4
NI	14-6233	Bolt-Sprocket to hub for c/f wheel	4
NI	60-2331	Washer	8
20	37-7205	Rear wheel less fittings	1 ALT
NI	37-7227	Rear wheel less fittings c/f	1 ALT
21	37-7200	Bearing carrier LH	1 ALT
NI	37-7229	Bearing carrier LH c/f	1 ALT
22	37-7164	Bearing carrier RH	1 ALT
NI	37-7230	Bearing carrier RH c/f	1 ALT
NI	37-7206	Rear wheel assy less tyre & tube	1 ALT
NI	37-7233	Rear wheel assy c/f less tyre & tube	1 ALT

NOTE:- C/F REFERS TO CRACKLE FINISH PAINTWORK - INDIVIDUAL COMPONENTS ARE NOT INTERCHANGEABLE WHERE LISTED AS "ALT".

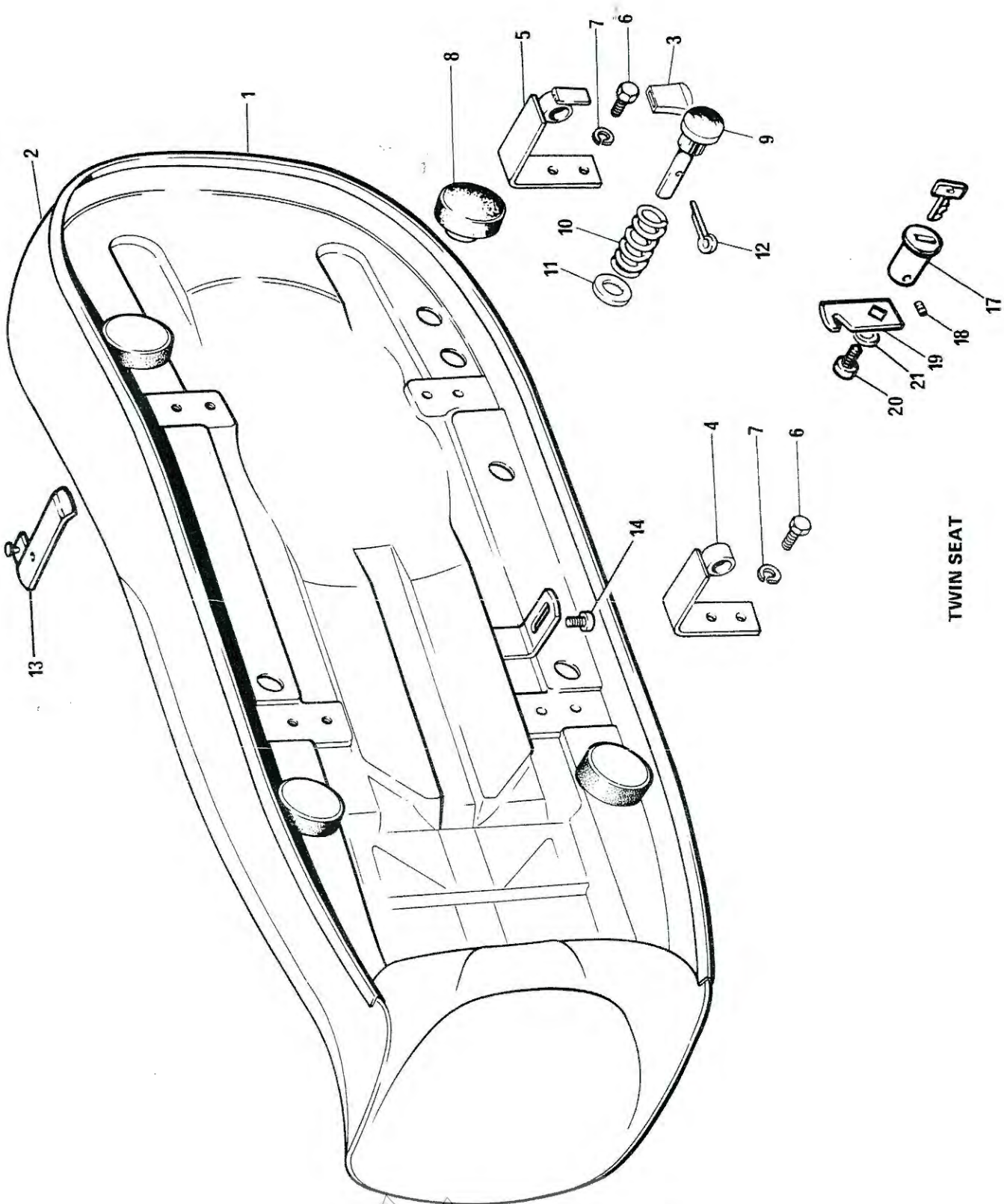




REAR BRAKE

Ref. No.	Part No.	Description	Quantity
1	37-7117	Rear caliper mounting plate	1
2	21-2189	Stud-caliper to plate	2
3	60-7478	Caliper	1
4	14-1303	Nut - caliper to mounting plate stud	2
5	60-2331	Washer, for nut	2
6	83-8333	Brake pedal assy.	1
7	23-1012	Screw, adjuster - stop light	1
8	23-2001	Nut, adjuster screw	1
9	83-8252	Spindle, rear brake pedal	1
10	83-8259	Brake rod	1
11	21-7135	Washer, pedal to spindle	1
12	83-8364	Return spring, brake pedal	1
13	60-7626	Master cylinder complete	1
14	60-7695	Brake hose	1
15	60-7236	Banjo bolt - caliper	1
16	60-4184	Sealing washer - thin	1
17	37-7100	Sealing washer - thick	1
18	60-4183	Banjo bolt - master cylinder	1
19	60-4182	Sealing washer	2
20	60-4184	Sealing washer under head	1
21	83-8052	Brake rod end	2
22	14-0401	Locknut	2
23	83-8054	Pivot pin	2
24	60-2683	Split pin	2
25	60-7658	Nut cap	1
26	14-0402	Nut-B/pedal to spindle	1
27	60-2428	Lockwasher	1
28	14-0201	Bolt-M/cyl to frame	2
29	14-1301	Nut M/cyl to frame	2
30	60-2329	Washer M/cyl to frame	2
31	37-7094	Dist piece caliper plate	1
32	37-4263	Caliper cover	1
33	60-4156	Decal caliper cover	1
34	21-2196	Screw caliper cover	2
35	60-2333	Plain washer - spindle to frame	1
36	14-1305	Nut-spindle to frame	1
37	60-7437	Brake pad kit	



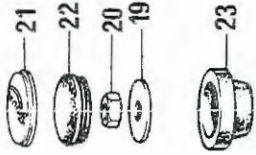
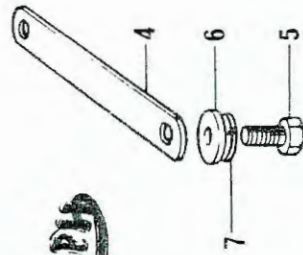
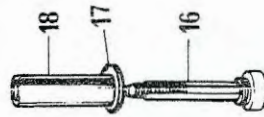
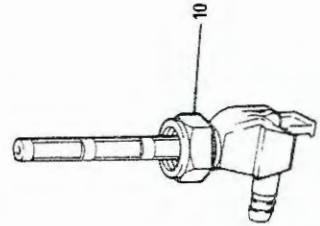
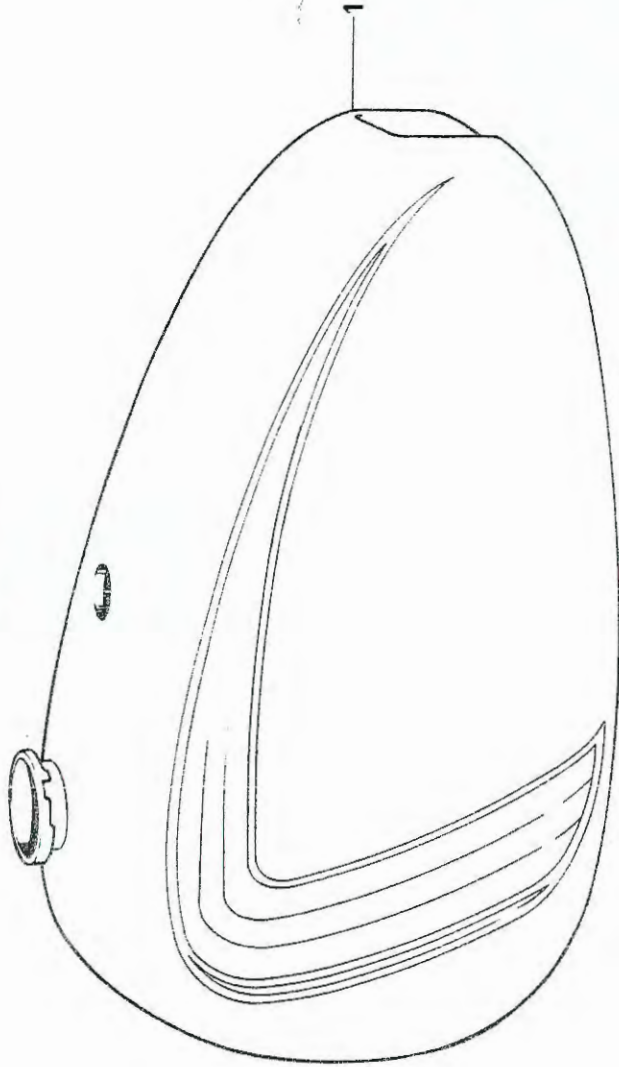
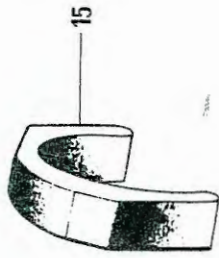


TWIN SEAT

TWIN SEAT

Ref No.	Part No.	Description	Quantity
1	83-8377	Twinseat-Assy	1
3	83-7544	Plastic sleeve - seat hinger rear	1
4	83-4782	Hinge - twinseat front	1
5	83-7542	Hinge - twinseat rear	1
6	14-0101	Bolt - hinge	4
7	60-2417	Washer - spring	4
8	82-9093	Rubber buffer	4
9	82-7560	Plunger & knob	
10	82-4228	Spring	1
11	71-3749	Plain washer	1
12	60-2720	Split pin	1
NI	60-7159	Transfer neg earth	1
NI	60-7716	Data label	-
13	83-7329	Catch plate seat	1
14	83-7276	Screw plate fixing	1
NI	14-1301	Nut	1
NI	60-2329	Washer	1
17	60-7215	Twinseat lock assy c/w keys	1
18	21-7049	Grub screw - lock retaining	1
19	83-7328	Catch plate - lock	1
20	97-3894	Screw - catch plate to lock	1
21	97-1388	Washer	1



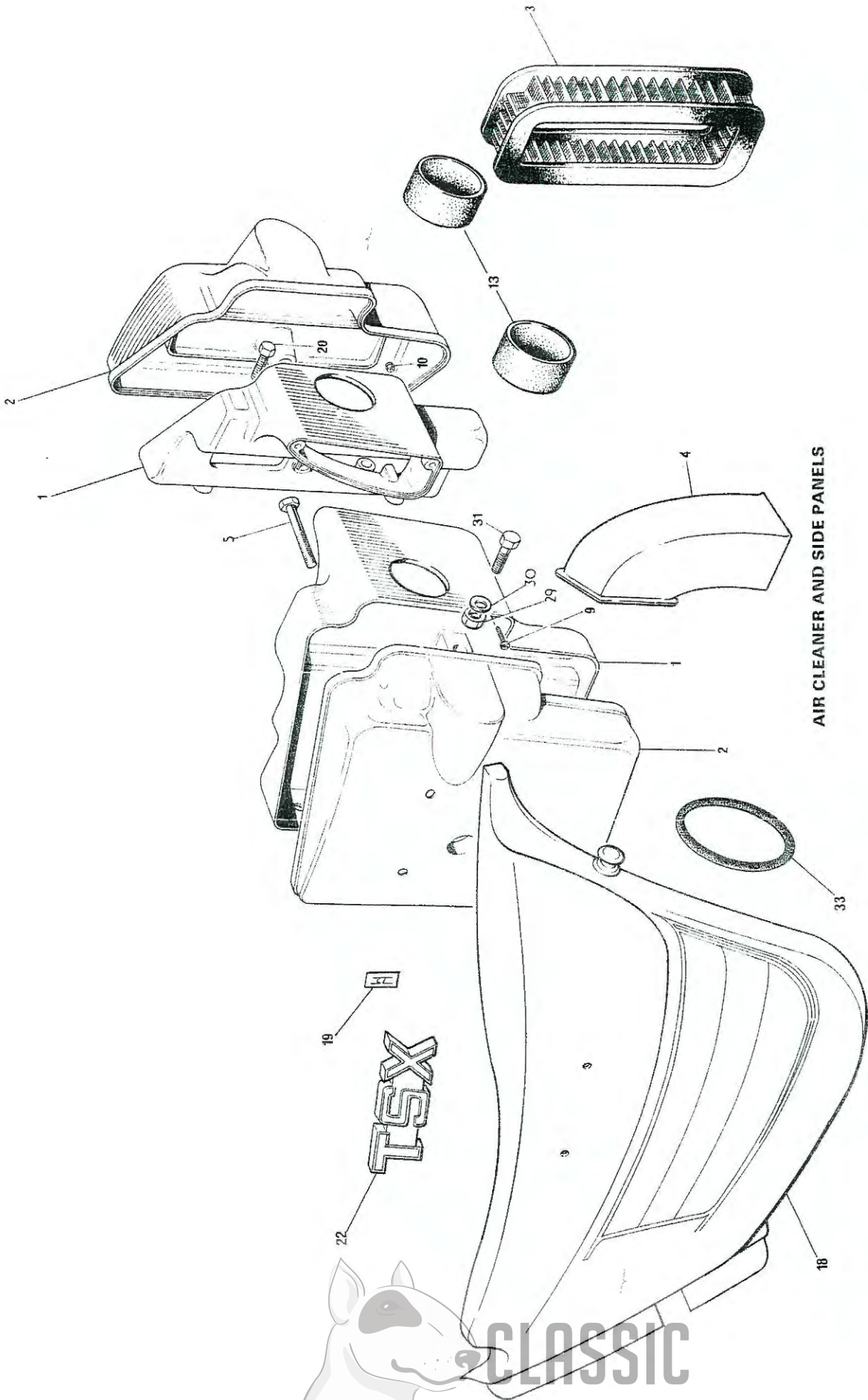


CLASSIC
BIKE SPARES

PETROL TANK

Ref. No.	Part No.	Description	Quantity
1	83-8427	Petrol tank 2.8 gall black	1ALT
1	83-8332	Petrol tank 2.8 gall burgundy	1ALT
2	60-7210	Badge	2
3	21-2064	Screw-chrome	4
4	83-4395	Tie strap	1
5	14-0115	Bolt-Tie Strap	2
6	60-2321	Washer plain - bolt	2
7	60-2428	Washer spring - bolt	2
8	60-7701	Petrol filler cap	1ALT
10	60-7508	Petrol tap	1
14	83-4931	Steady rubber	2
15	83-4932	Mounting rubber	2
16	83-4930	Centre fixing bolt	1
17	60-2330	Washer - lower	1
18	82-9063	Distance tube	1
19	82-3814	Washer - upper	1
20	14-0302	Nut - fixing bolt	1
21	83-4776	Badge - centre	1
22	97-5061	Grommet for badge	1
23	83-4934	Rubber - centre mounting	1
N.I.	82-8245	Retainer	1
N.I.	83-8393	Petrol pipe assy	1
N.I.	60-7557	Clip-petrol pipe to tap	1
N.I.	60-4428	'O' Clip petrol pipe to carb	2
N.I.	83-8292	Balance pipe	1
N.I.	60-7557	Clip-Balance pipe	2
8	60-7657	Petrol filler cap - locking	1ALT



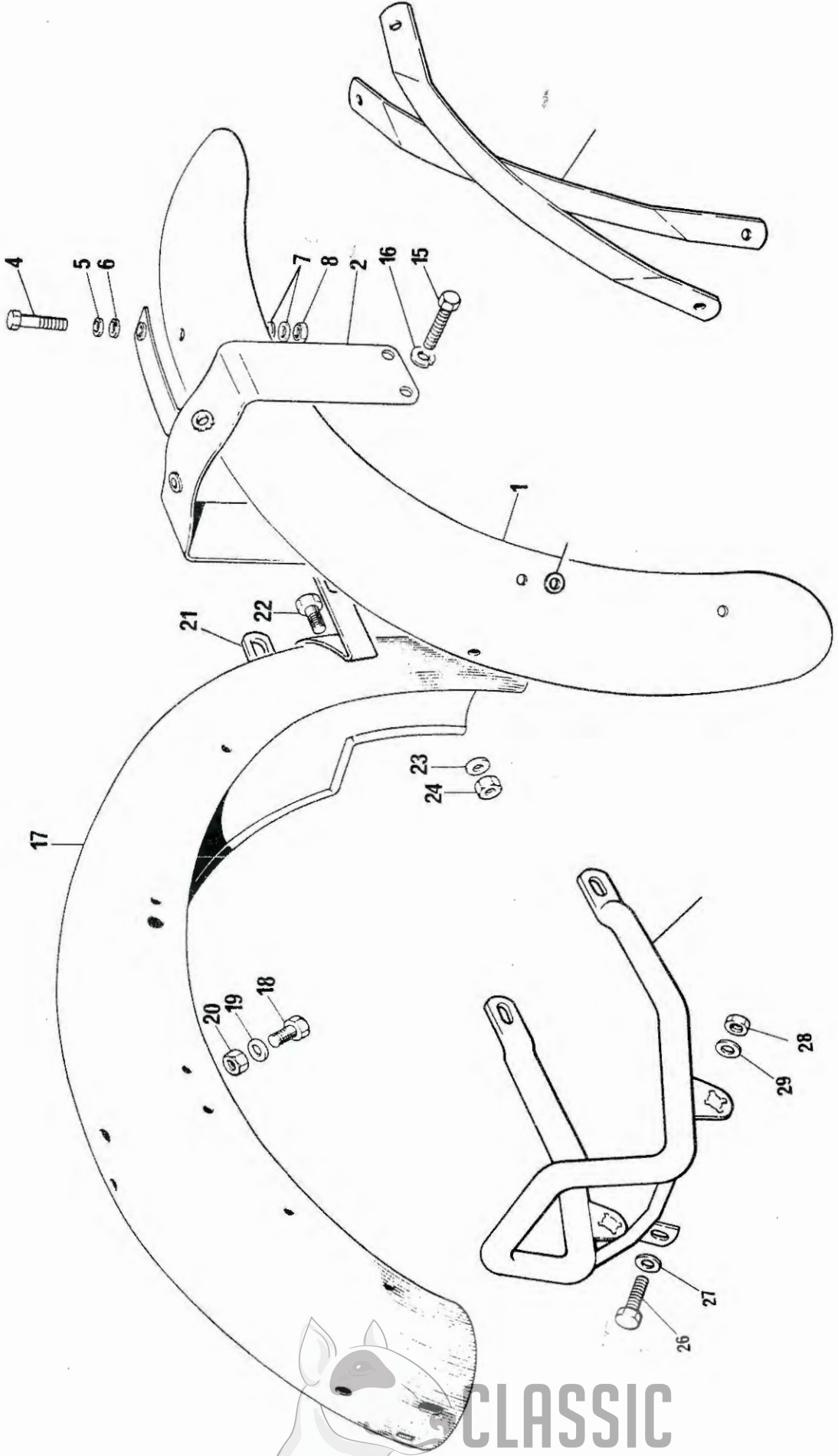


AIR CLEANER AND SIDE PANELS

AIR CLEANER AND SIDE PANELS

Ref. No.	Part No.	Description	Quantity
1	83-7904	Body - left	1
1	83-7907	Body - right	1
2	83-8244	Cover - left	1
2	83-8246	Cover - right	1
3	60-4265	Element	2
4	83-5448	Air intake tube, left	1
4	83-5449	Air intake tube, right	1
5	14-0222	Bolt	2
9	60-3539	Screw	2
10	21-0501	Nut	2
13	60-7527	Connector pipe Carb to air box	2
17	83-8384	Side panel - left - burgundy	1ALT
18	83-8385	Side panel - right - burgundy	1ALT
19	60-7511	Push fix - side panel	2
20	14-0102	Bolt	4
22	83-8331	Name plate TSX	2
29	14-1302	Nut	2
30	60-2321	Plain washer	2
31	14-0218	Bolt	2
33	60-7707	Styling panel fixing ring	1
NI	83-7910	Rubber-panel fixing	2
NI	60-7397	Retainer-rubber to frame	2
	82-9093	Buffer - side panel	2
	60-2321	Plain washer for item 5	2
	60-2428	Spring washer for item 5	2
	14-0302	Nut for item 5	2
	60-7628	Sealing rubber-air box body	2
	60-7424	Clip-connector pipe	2
17	83-8428	Side panel - left - black	1ALT
18	83-8429	Side panel - right - black	1ALT

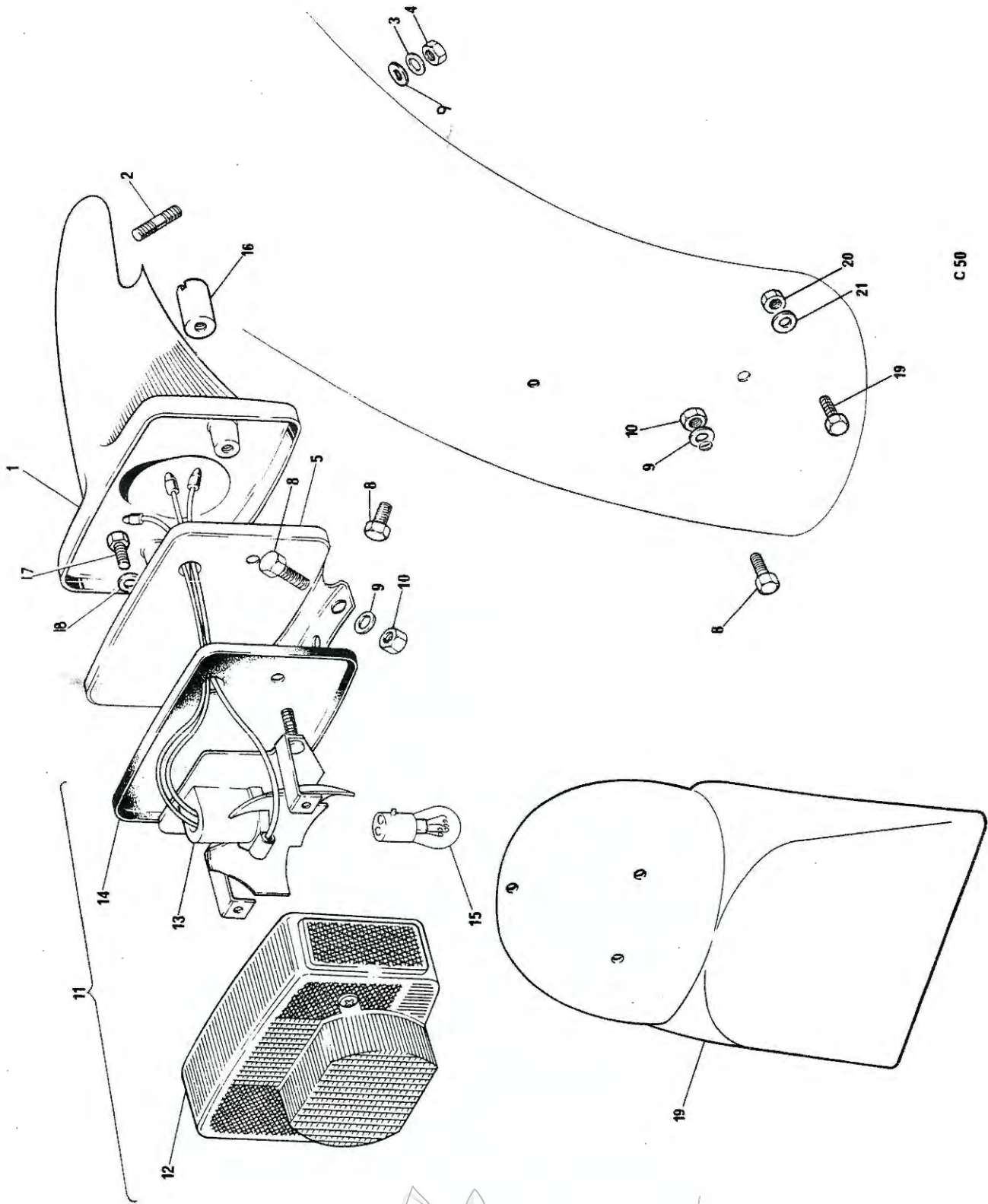




MUDGUARDS - FIXINGS

Ref. No.	Part No.	Description	Quantity
1	97-7221	Front mudguard - burgundy	1ALT
2	97-7004	Bridge piece assembly	1
4	14-2205	Screw, bridge piece to blade	5
5	21-7025	Washer plastic	5
7	60-2338	Plain washer	4
8	21-7050	Nut - screw, bridge to blade	5
15	14-0103	Bolt, bridge piece to fork leg	4
16	60-2427	Washer spring	4
17	83-8300	Rear mudguard - burgundy	1ALT
18	14-0101	Bolt	2
19	60-2329	Washer	2
20	14-1301	Nut	2
21	83-2796	Lower front bracket	1
22	14-0101	Bolt	2
23	60-2329	Washer	2
24	14-1301	Nut	2
25	83-8294	Grab rail	1
26	14-0102	Bolt	1
27	60-2329	Washer	1
28	14-1301	Nut	1
N.I.	97-2209	Washer Coil Tray to Mudguard	1
N.I.	60-2340	Washer grab rail L/H side	1
	97-7241	Stiffener assy front m'guard	1
	83-7077	Plastic washer bridge piece outer	2
17	83-8430	Rear mudguard - black	1ALT
1	97-7252	Front mudguard - black	1ALT





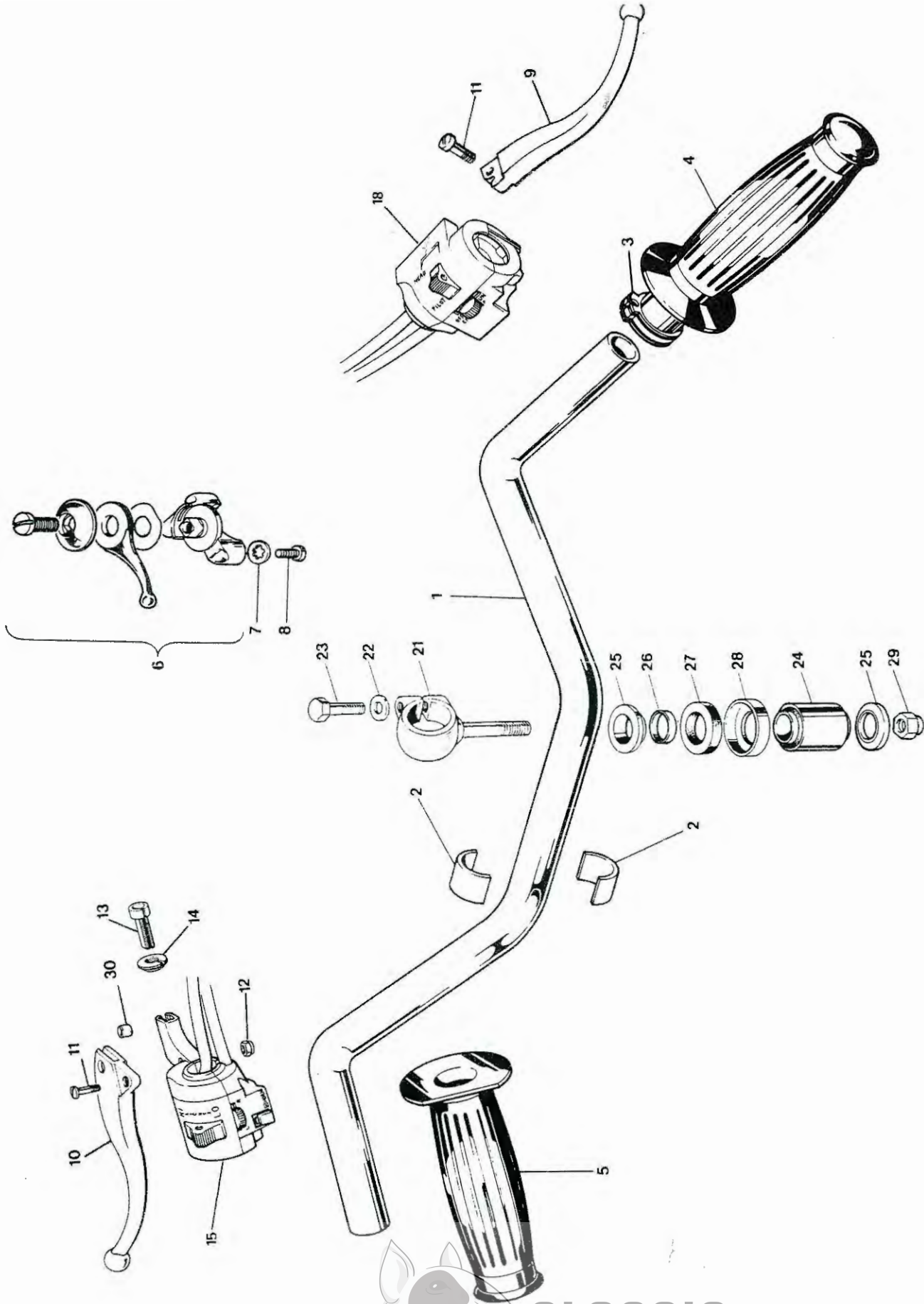
C 50

TAIL LAMP AND SUPPORT



TAIL LAMP AND SUPPORT

Ref. No.	Part No.	Makers Part No.	Description	Quantity	
1	83-8298	-	Tail lamp carrier	1	} Tail lamp support to fender
2	21-2225	-	Stud	1	
3	60-2427	-	Washer	1	
4	14-0301	-	Nut	1	} No. plate brackets and support plate to fender less side reflex Less side reflex
5	83-8359	-	Support plate	1	
8	14-0102	-	Bolt	2	
9	60-2329	-	Washer	2	
10	14-1301	-	Nut	2	
11	60-4110	56515	STOP TAIL LAMP	1	
12	06-8058	54585314	Lens	1	
13	99-7065	54584931	Base assembly	1	
14	99-7066	54583924	Gasket	1	
15	99-0542	380	Bulb	1	
16	83-4800	-	Sleeve nut, lamp to back plate	2	
17	14-7804	-	Screw support plate to carrier	1	
18	70-1612	-	Serrated washer	1	
NI	83-4806	-	Wiring protector	1	} Not illustrated
NI	60-4103	-	Grommet, flasher wire	1	
NI	83-5105	-	'U' grommet, lamp carrier	2	
NI	97-0961	-	Grommet, mudguard for wiring	2	
NI	60-4440	-	Grommet, flasher wires	2	
N.I.	60-4256	-	Serrated Washer Used With 83-4800	2	
19	83-8301	-	No. plate mounting	1	

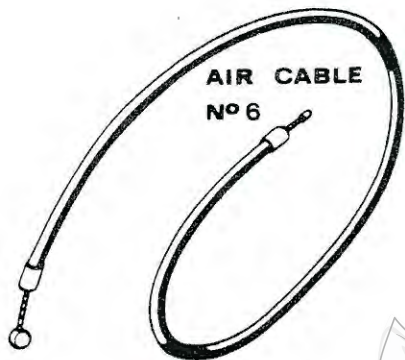
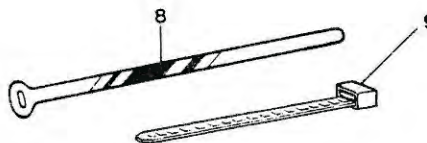
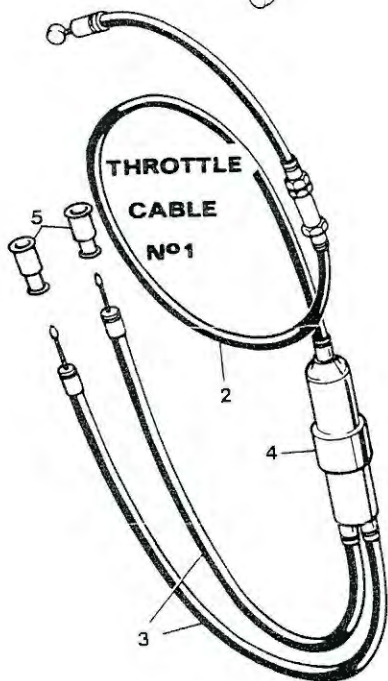
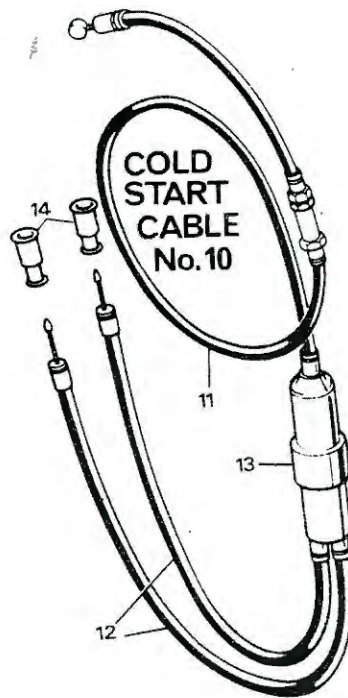
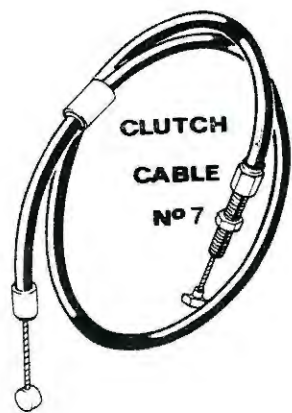


HANDLEBARS AND CONTROL LEVERS

HANDLEBARS AND CONTROL LEVERS

Ref. No.	Part No.	Makers Part No.	Description	Quantity
1	97-7205		Handlebar	1
2	97-1425		Sleeve, handlebar mounting	4
3	60-7144		TWIST GRIP c/W GRIP	1
4	97-2125		Grip, right hand	1
5	97-2142		Grip, left hand	1
6	60-3246		Cold start control lever	1
7	70-1612		Shakeproof washer	2
9	97-7193		Front brake lever blade	1
10	97-7191		Clutch lever blade	1
11	21-7036		Pivot pin - clutch lever	1
11	21-2191		Pivot pin - brake lever	1
12	14-1901		Nut-Pivot pin	2
13	60-3585		Adjuster	1
14	60-3586		Lockring	1
15	60-7464		Handlebar switch L.H.	1
18	60-7462		Handlebar switch RH	1 E/S only
21	97-2291		Handlebar eye bolt	2
22	82-1335		Washer	2
23	21-0589		Bolt	2
24	97-1527		Metalastik bush	2
25	97-1529		Hemispherical washer	4
26	97-1581		Distance piece	2
27	97-1580		Rubber washer	2
28	97-2221		Cup	2
29	14-1303		Nut	2
30	97-7053		Pivot bush - clutch lever	1
N.I.	60-7249		Mirror L & R.H.	1
N.I.	60-7201		Cable tie	4
18	60-7463		Handlebar switch RH	1 K/Start Only

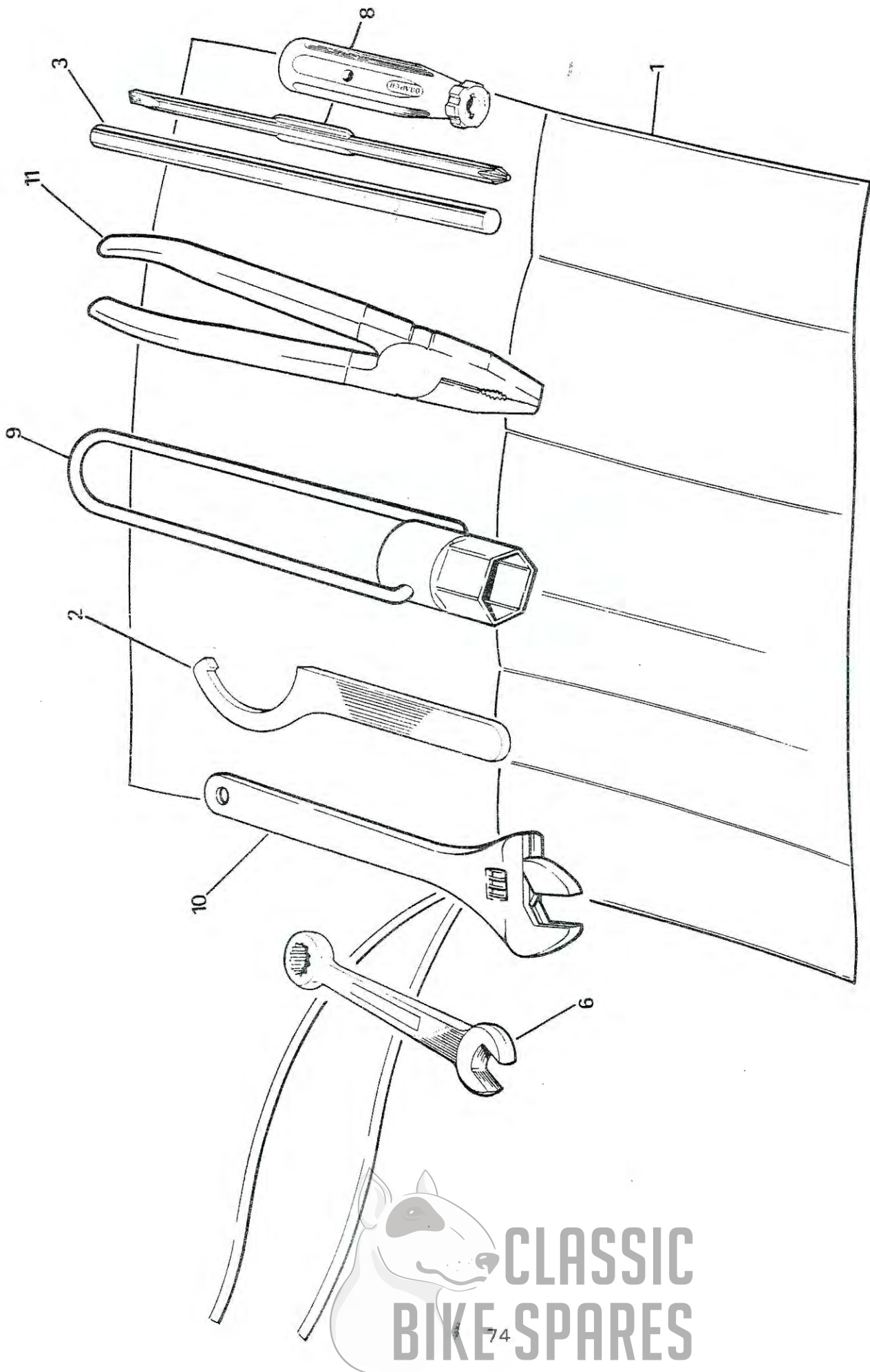




CONTROL CABLES

Ref. No.	Part No.	Description	Quantity
1	60-7550	Throttle cable cte	1
2	60-7427	Throttle cable T/Grip to junct block	1
3	60-7505	Throttle cable junct block to carb	2
4	60-0685	Throttle cable Junction block	1
5	60-7118	Sheath - Throttle cable adjstr	2
7	60-3925	Clutch cable	1
8	60-4254	Cable clip aluminium	8
9	60-7202	Cable clip plastic	18
10	60-7551	Cold start cable CTE	1
11	60-7430	Cold start cable-lever to junction box	1
12	60-7505	Cold start cable-junction box to carb.	2
13	60-0685	Junction box	1
14	60-7118	Sheath-cable adjuster	2
N.I.	60-0978	Cable Tie	2

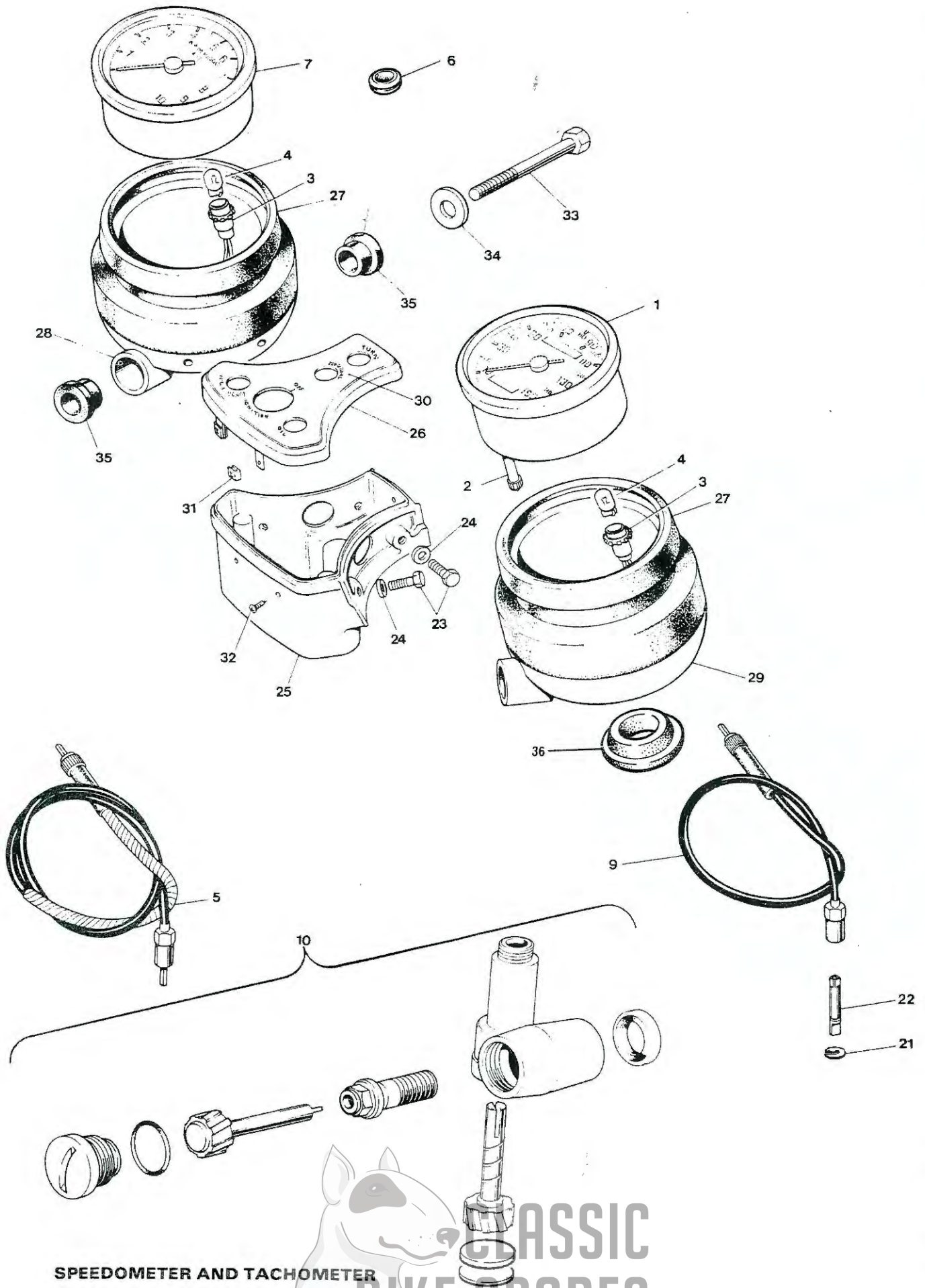




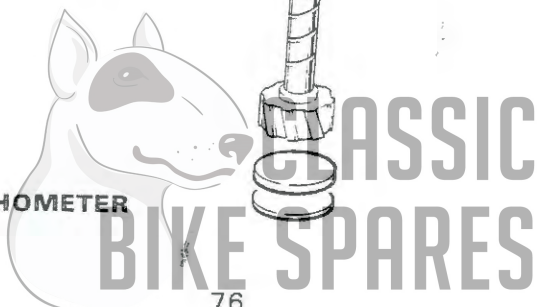
TOOLKIT

Ref. No.	Part No.	Description	Quantity
1	60-7649	TOOLKIT COMPLETE	1
1	60-7661	Tool roll	1
2	60-2184	Damper unit spanner	1
3	60-7041	Tommy bar, for rear wheel	1
6	60-7662	Ring spanner 1/2" A/F	1
8	60-0767	Screw driver	1
9	60-1050	Plug spanner	1
10	60-7664	Adjustable spanner	1
11	60-7665	Pliers	1
NI	60-7700	Owners handbook	





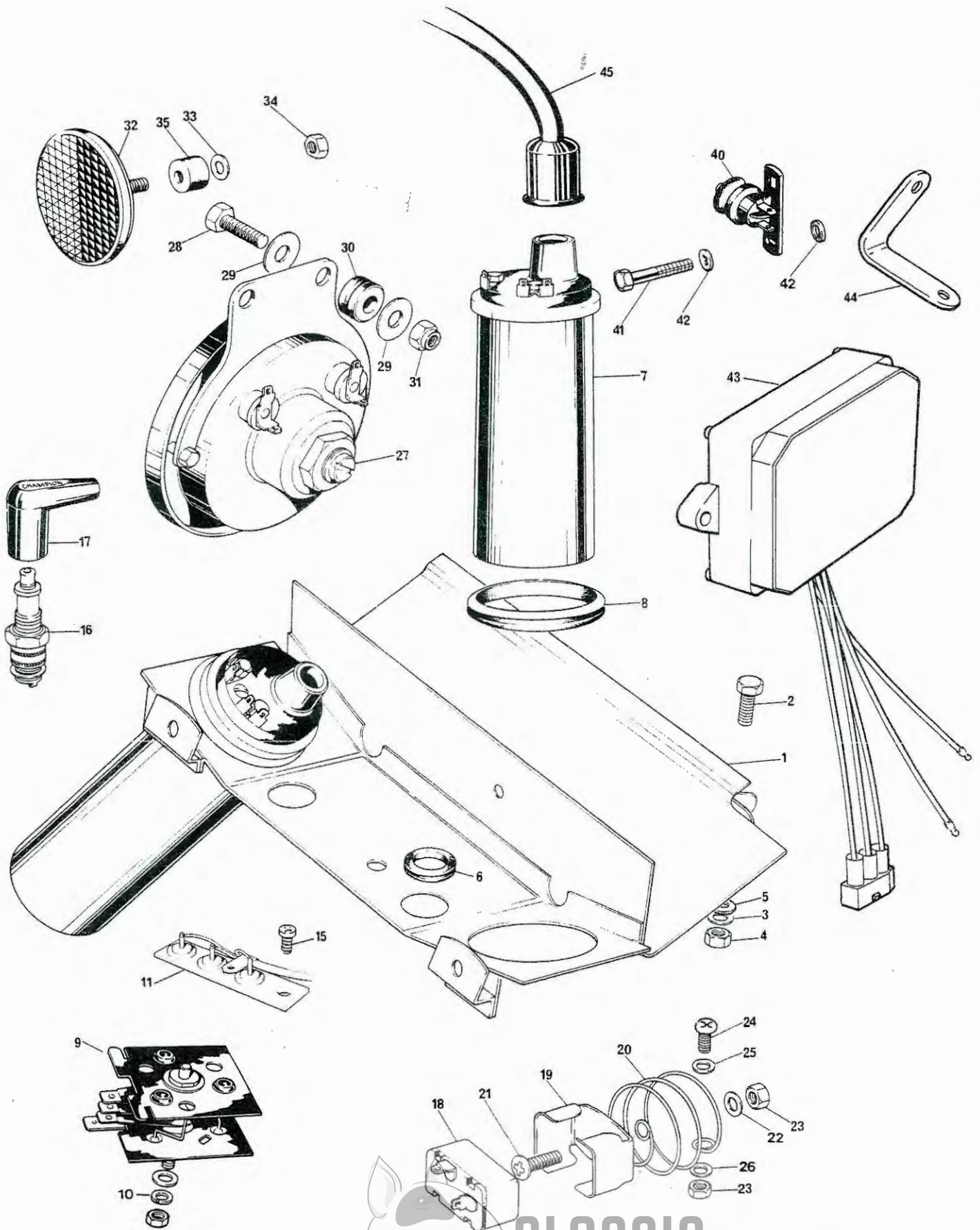
SPEEDOMETER AND TACHOMETER



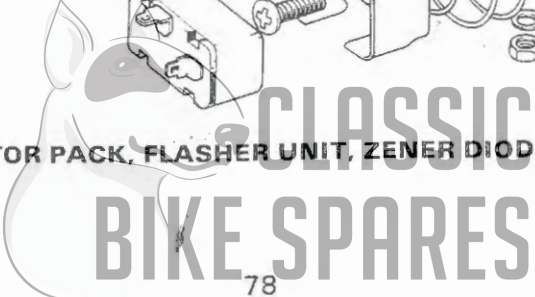
SPEEDOMETER AND TACHOMETER

Ref. No.	Part No.	Makers Part No.	Description	Quantity
1	60-7222		Speedometer head MPH150 - veglia	1ALT
1	60-7270		Speedometer head KPH250 - veglia	1ALT
2	60-7207		Trip control	1
4	99-7050	504	Bulb	1
5	60-7306		Speedo cable assy	1
6	60-7221		Grommet - bulb holder	2
7	60-7223		Tachometer head - veglia	1
9	60-0578		Tachometer cable	1
10	71-7609		TACHOMETER GEARBOX	1
21	60-0494		Circlip	1
22	99-0173	31-371-398	Spade	1
23	14-6104		Bolt carrier to s/w box	4
24	60-2427		Spring washer	4
25	97-4577		Switch box	1
26	97-5000		Panel assy - includes line 30	1
27	97-4573		Rubber cup	2
28	97-4574		Instrument carrier LH	1
29	97-4575		Instrument carrier RH	1
30	60-4622		Identification sheet	1
31	60-4503		Spire nut	3
32	21-0762		Screw - panel to s/w box	3
33	14-0235		Bolt	2
34	60-2340		Plain washer	2
35	97-4588		Rubber bush	4
36	97-7208		Grommet inst. carrier	2





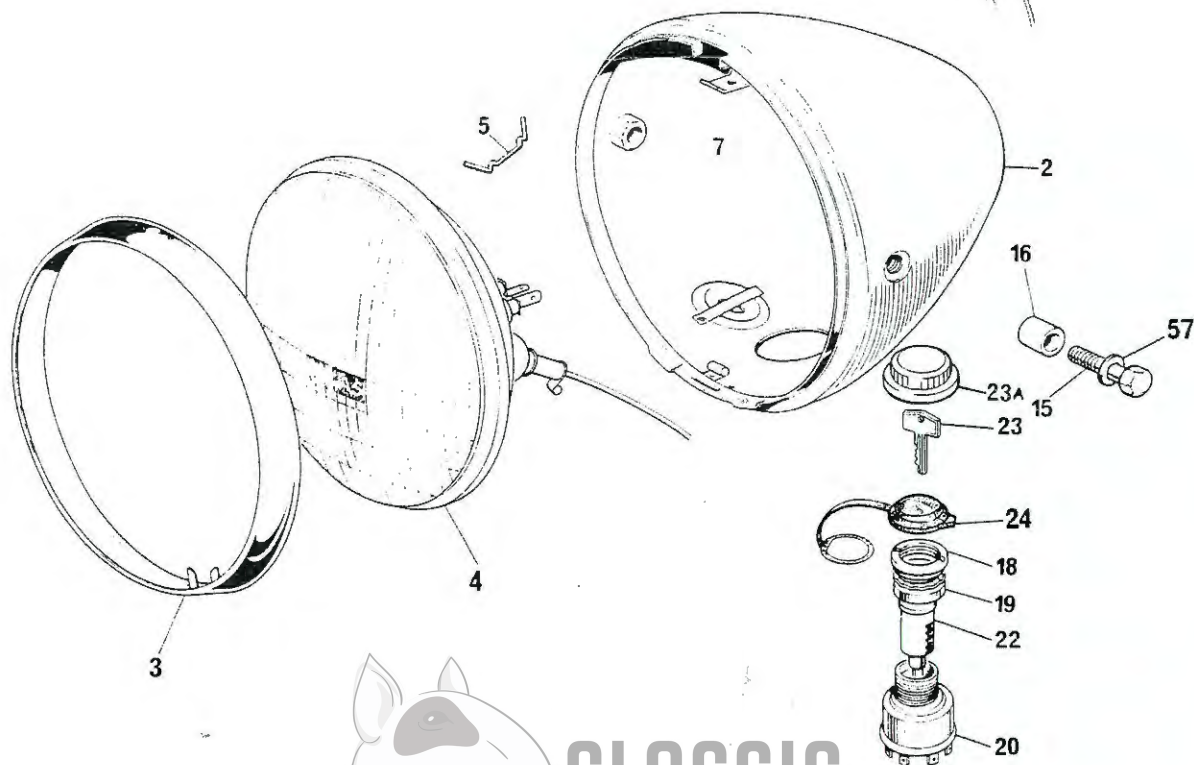
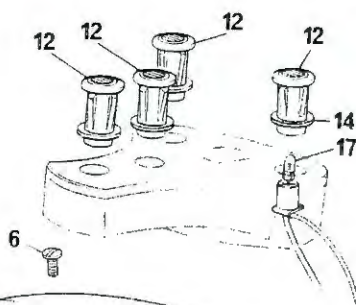
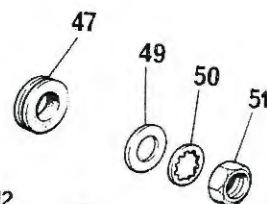
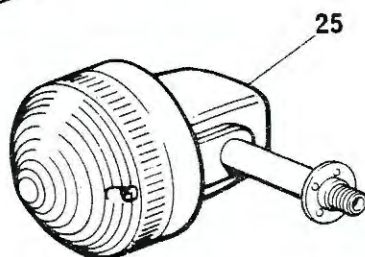
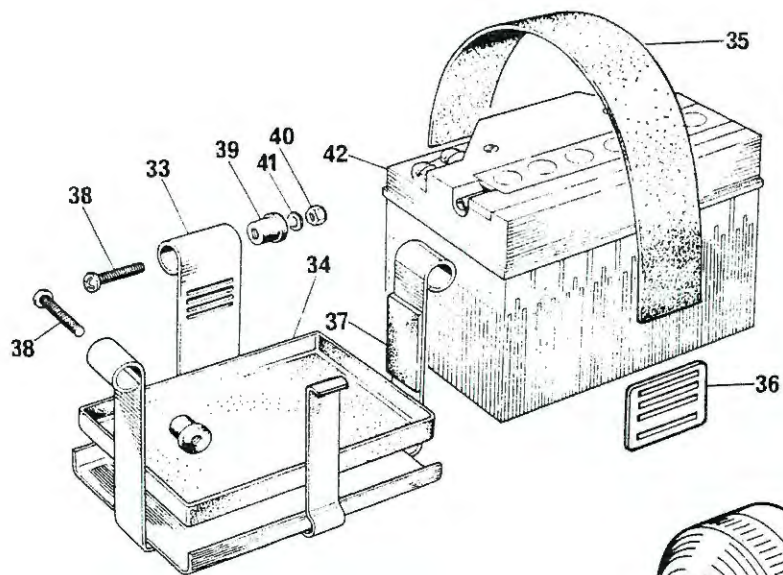
COIL, CAPACITOR PACK, FLASHER UNIT, ZENER DIODE AND HORN



ELECTRICAL COMPONENTS

Ref. No.	Part No.	Makers Part No.	Description	Quantity	Remarks
1	83-7502	-	Coil and tool tray assembly	1	
2	14-0102	-	Bolt	1	} Coil and tool tray attachment, rear.
3	60-2329	-	Washer	2	
4	14-1301	-	Nut	1	
5	70-7554	-	Rubber washer	1	
6	82-6784	-	Grommet, wiring harness	2	
7	60-7131	45220	Ignition coil (17-M-6)	2	
8	82-9561	-	Coil grommet	2	
9	60-7152	83539	Rectifier complete with nut	1	negative earth
10	70-3887	-	Shakeproof washer	1	
11	60-7326	-	Diode pack-zener	1	
15	21-7084	49589	Screw-zener fixing	2	
16	60-7237	N5	Sparking plug	2	
17	60-0262	WC200	Plug cover	2	
17	60-7124		Plug cap - screened	2	
17	60-7125		Cover - for cap screened	2	
18	99-1201	35048	Flasher unit	1	
19	99-1204	54385091	Clip, flasher unit	1	
20	60-3614	54386637	Spring	1	} Flasher unit attachment
21	21-2079	-	Screw	1	
22	60-2391	-	Washer	1	
23	21-7009	-	Nut	2	
24	21-2079	-	Screw - spring to tool tray	1	
25	97-1388	-	Plain washer	1	
26	60-2416	-	Washer	2	
27	60-7067	70276	Horn	1	
28	14-0103	-	Bolt	2	} Horn attachment
29	60-2347	-	Washer	4	
30	60-3161	-	Grommet	2	
31	14-1301	-	Nut	2	
32	60-3042	57183	Reflector - amber	2	} Reflector Mounting
33	60-2416	-	Washer	2	
34	82-3799	-	Nut	2	
35	83-3522	-	Mounting rubber	2	
40	60-0990	34815A	Rear stop light switch 118SA	1	
41	21-7010	-	Screw, rear stop switch	2	
42	97-1388	-	Plain washer	4	
43	60-7130	-	Amplifier unit	1	
44	83-7869	-	Bracket-amplifier unit fixing	2	
NI	14-0102	-	Bolt-bracket fixing	2	
NI	60-2329	-	Washer-bracket fixing	2	
NI	14-1301	-	Nut	2	
NI	14-0102	-	Bolt-amplifier to bracket	2	
NI	14-1301	-	Nut-amplifier to bracket	2	
45	60-3923	-	HT cable	2	Non-screened
45	60-7120	-	HT cable-use with screened cap	2	C/W rubber sleeve



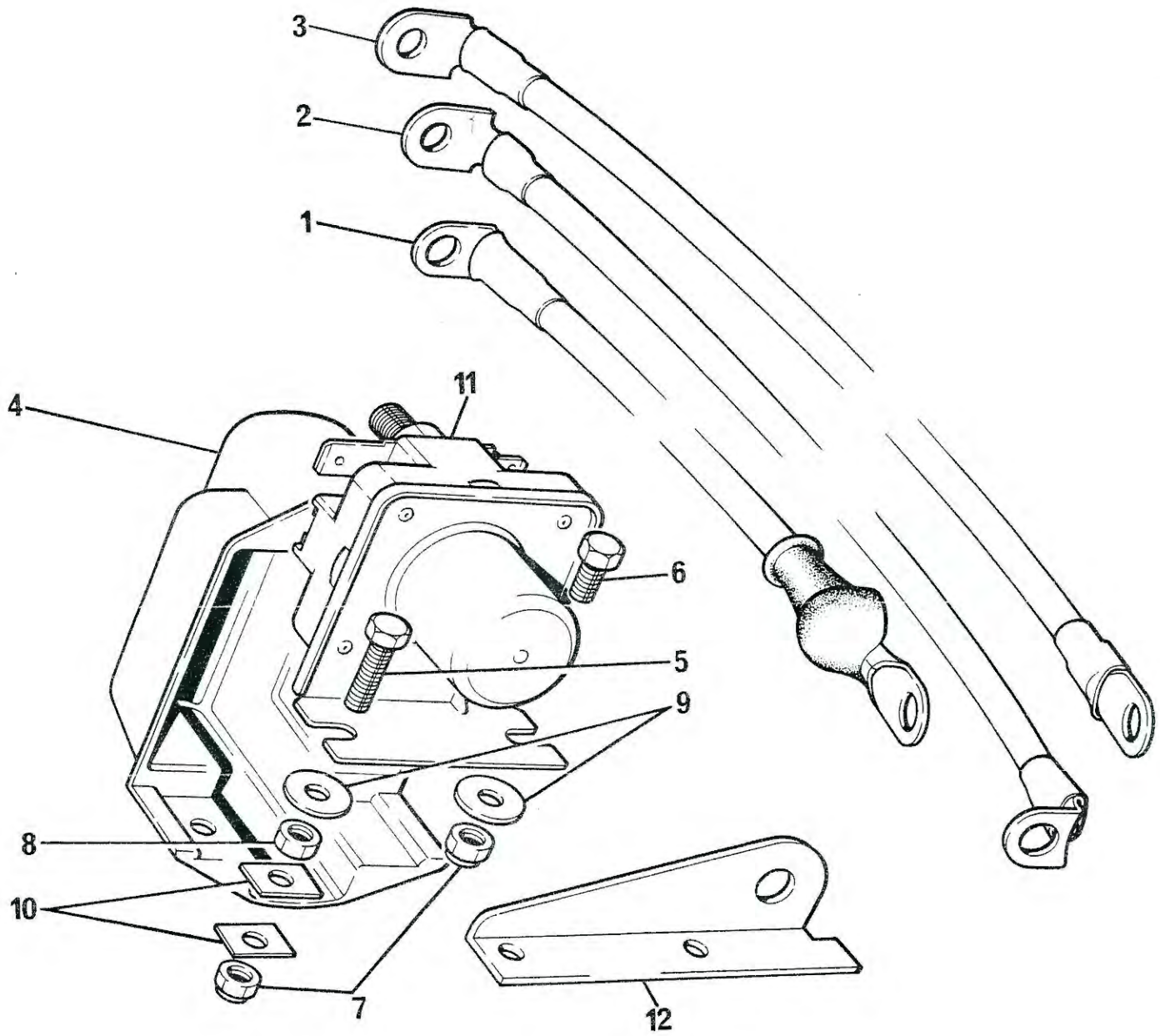



**CLASSIC
BIKE SPARES**

ELECTRICAL COMPONENTS

Ref. No.	Part No.	Makers Part No.	Description	Quantity	Remarks
1	60-7331		Headlamp cte RH dip	1	Right hand dip
1	60-7330		Headlamp cte LH dip	1	left hand dip
2	99-7098		Headlamp shell only	1	
3	99-0692	553248	Headlamp rim	1	
5	99-0683	504665	Fixing wire	6	
6	99-1189	144921	Screw	1	
7	99-0690	534296	Plate	1	
12	99-1208	54363454	Warning light, red	1	
12	99-1209	54363455	Warning light, green	1	
12	99-1207	54363453	Warning light, amber	1	
12	99-7054	54361250	Warning light, blue	1	
14	99-1210	54140331	Sealing washer	3	
15	99-7012	54115106	Bolt - headlamp mounting	2	
16	97-7220	-	Distance piece, headlamp bolt	2	
17	99-0537	281	Bulb, warning light	3	
18	97-7120		Ignition switch nut	1	
19	97-4596	143086	Ignition switch spacer	1	
20	99-7055	54531899	Ignition switch	1	
22	82-6981	-	IGNITION LOCK WITH KEY	1	
23	60-0622	-	Ignition key	1	State serial No.
23A	97-7123	-	Cap-ignition key	1	
24	60-7335	-	Cover, ignition switch	1	
25	60-7172	-	FLASHER LAMP REAR & FRONT	4	C/W stem
33	83-7504	-	Battery carrier assembly	1	
34	82-8091	-	Battery tray moulding	2	E/S model (1 off K/S model)
35	82-9353	-	Retaining strap	1	
36	82-9355	-	Buckle	1	
37	83-7235	-	Protective strip	4	
38	83-2508	-	Shoulder screw	3	
39	82-6039	-	Rubber bush	3	} Battery carrier mounting
40	21-7050	-	Nut	1	
41	60-2329	-	Plain washer	1	
42	60-7317	-	Battery - YB14L	1	E/S model
NI	60-7465		Main wiring harness	1	
NI	60-7300		Earth lead - amplifier box	1	
NI	60-7198		Rear sub harness	1	
46	83-7558		Dimpled washer	4	} Flasher lamp stanchion
47	82-5753		Grommet	4	
48	83-7559		Distance tube	4	
49	60-2350		Washer plain	4	
50	60-2332		Washer plain	4	
51	14-0404		Nut	8	
54 NI	60-7501		Wire indicator lamp Front/Rear	4	
55 NI	60-7279		Earth wire indicator lamp front/rear	4	
57	21-7141		Washer H'lamp bolt	2	
NI	60-7714		Extension lead R/H rear ind. lamp	1	
42	60-7088		Battery - 12N9 - 4B - 1	1	K/Start only
4	99-7509		Light unit only - LH dip	1	Glass/metal
4	99-7510		Light unit only - RH dip	1	Glass/metal





ELECTRICAL COMPONENTS

Ref. No.	Part No.	Description	Quantity
1	60-7320	Lead-starter to solenoid	1
2	60-7321	Lead-battery to solenoid	1
3	60-7322	Lead-battery to earth	1
4	83-7644	Cover-solenoid switch	1
5	23-1015	Screw-upper solenoid fixing	1
6	23-1012	Screw-lower solenoid fixing	1
7	23-2161	Nut-Solenoid cover and fixing	2
8	23-2001	Nut	1
9	97-1388	Washer	2
10	21-7105	Washer-cover fixing	2
11	60-7318	Solenoid starter switch	1
12	83-7737	Bracket-solenoid fixing	1

